



INSTALLATION INSTRUCTIONS FOR LBF SERIES BI-FOLD GLASS DOORS

36LBF/LBF-BB • 38LBF/LBF-BB/LBF-BS • 42LBF/LBF-BB • 43LBF/LBF-BB/LBF-BS • 50LBF/LBF-BB

! WARNING

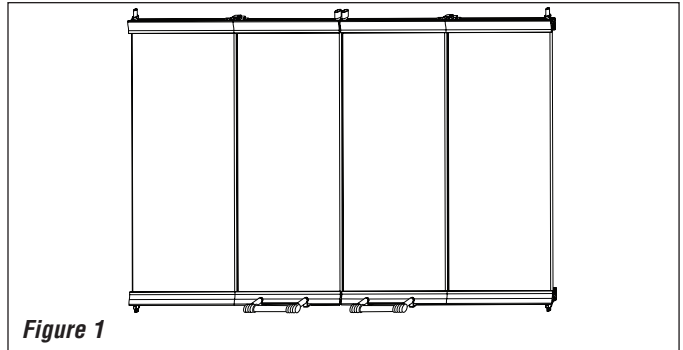
THIS KIT IS TO BE INSTALLED BY A QUALIFIED SERVICE TECHNICIAN OR OTHER QUALIFIED AGENCY IN ACCORDANCE WITH THE MANUFACTURER'S INSTRUCTIONS AND ALL CODES AND REQUIREMENTS OF THE AUTHORITY HAVING JURISDICTION IN THE USA OR CANADA. IF THESE INSTRUCTIONS ARE NOT FOLLOWED EXACTLY, A FIRE OR EXPLOSION MAY RESULT, CAUSING PROPERTY DAMAGE, PERSONAL INJURY OR LOSS OF LIFE. THE QUALIFIED AGENCY PERFORMING THIS WORK ASSUMES RESPONSIBILITY FOR THIS INSTALLATION.

! WARNING

HOT FIREPLACES WILL CAUSE SEVERE BURNS. DO NOT TOUCH GLASS, METAL FRAME OR SCREEN UNTIL COOLED. NEVER ALLOW CHILDREN TO TOUCH THESE AREAS.

KITS

Kit	Model	Finish
36LBF Series Bi-Fold Glass Door Kits		
12M17	36LBF	Black
12M19	36LBF-BS	Brushed Stainless
38LBF Series Bi-Fold Glass Door Kits		
12M20	38LBF	Black
12M21	38LBF-BB	Brass
12M22	38LBF-BS	Brushed Stainless
42LBF Series Bi-Fold Glass Door Kits		
H7962	42LBF	Black
H7964	42LBF-BS	Brushed Stainless
43LBF Series Bi-Fold Glass Door Kits		
12M23	43LBF	Black
12M24	43LBF-BB	Brass
12M25	43LBF-BS	Brushed Stainless
50LBF Series Bi-Fold Glass Door Kits		
H7965	50LBF	Black
H7967	50LBF-BS	Brushed Stainless



GENERAL INFORMATION

The bi-fold glass door assemblies listed in this Instruction Sheet are designed for use with Lennox Hearth Products fireplaces or appliances that specify 36", 38", 42", 43", or 50" LBF Series doors.

Each door assembly consists of a right and left glass panel assembly with factory-mounted door handles. 36LBF Series and 42LBF Series door kits also include air deflectors. 50LBF Series door kits also include vent channels. Each kit also includes a center door clip hardware kit.

DO NOT ALTER OR MODIFY THESE DOOR ASSEMBLIES, OR A FIREPLACE MALFUNCTION OR FIRE HAZARD MAY RESULT.

The LBF Series bi-fold glass doors have been tested and listed by Intertek.

PLEASE RETAIN THIS MANUAL FOR FUTURE REFERENCE.

ALL WARNINGS, PRECAUTIONS, AND INSTRUCTIONS IN THE INSTALLATION INSTRUCTIONS AND CARE AND OPERATION MANUALS PROVIDED WITH THE APPLIANCE APPLY TO THESE INSTRUCTIONS.

KIT CONTENTS

(Letters in brackets refer to **Figure 2**.)

- 1 ea. Bi-Fold Door, Left [A]
- 1 ea. Bi-Fold Door, Right [A]
- 1 ea. Air Deflector, Left [B]
(36LBF and 42LBF Series doors only)
- 1 ea. Air Deflector, Right [B]
(36LBF and 42LBF Series doors only)
- 1 ea. Vent Channel, Left [C]
(50LBF Series doors only)
- 1 ea. Vent Channel, Right [C]
(50LBF Series doors only)
- 1 ea. Center Door Clip Hardware Kit [D]
- 1 ea. Warranty

TOOLS NEEDED

- Medium Phillips Screwdriver
- 3/8" Open-end Wrench

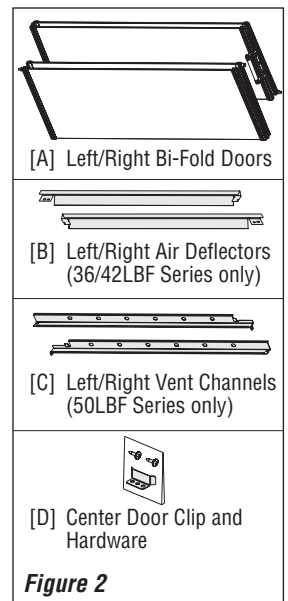


Figure 2

NOTE: DIAGRAMS & ILLUSTRATIONS ARE NOT TO SCALE

NOTE:

READ ALL THE STEPS BEFORE STARTING THE INSTALLATION.

INSTALLER NOTICE: THESE INSTRUCTIONS MUST BE LEFT WITH THE APPLIANCE.

ALL WARNINGS, PRECAUTIONS AND INSTRUCTIONS IN THE INSTALLATION INSTRUCTIONS AND CARE AND OPERATION MANUALS PROVIDED WITH THE APPLIANCE APPLY TO THESE INSTRUCTIONS.

IF YOU ENCOUNTER ANY PROBLEMS, NEED CLARIFICATION OF THESE INSTRUCTIONS OR ARE NOT QUALIFIED TO PROPERLY INSTALL THIS KIT, CONTACT YOUR LOCAL DISTRIBUTOR OR DEALER.

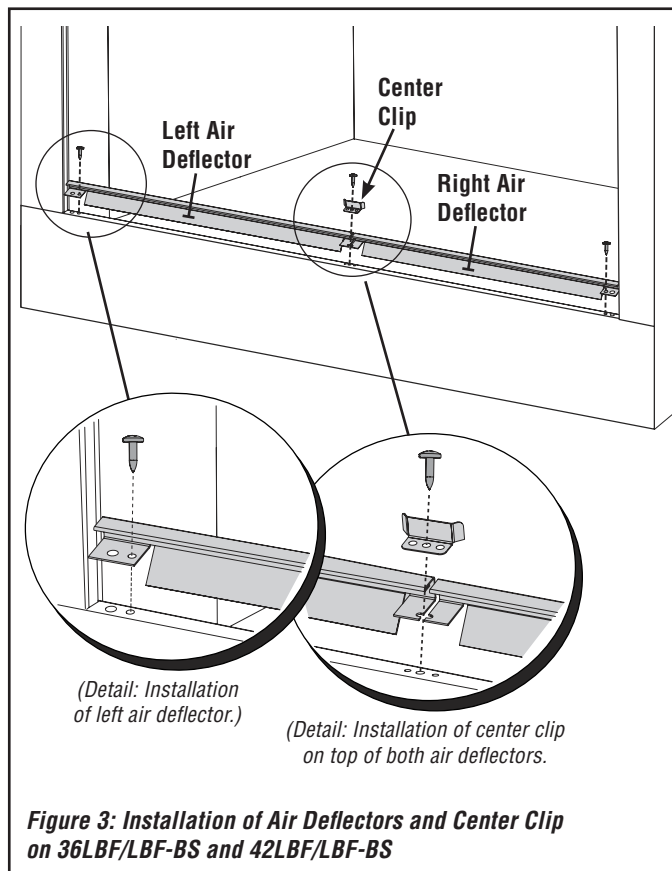
**PRE-ASSEMBLY NOTES:
36LBF/LBF-BS and 42LBF/LBF-BS BI-FOLD DOORS**

Before installing 36LBF/LBF-BS and 42LBF/LBF-BS bi-fold doors, the deflectors and center clip must be installed on the firebox.

Step 1. Refer to *Figure 3, below*. Using a Phillips screwdriver, remove the three (3) factory-installed screws in the lower face of the firebox.

Step 2. Position the left and right deflectors and the center clip as shown below, and attach using the three screws.

Step 3. Proceed to bi-fold door installation procedures on the *next page*.



**PRE-ASSEMBLY NOTES:
50LBF/LBF-BS BI-FOLD DOORS**

Before installing 50LBF/LBF-BS bi-fold doors, the vent channels and center clip must be installed on the firebox.

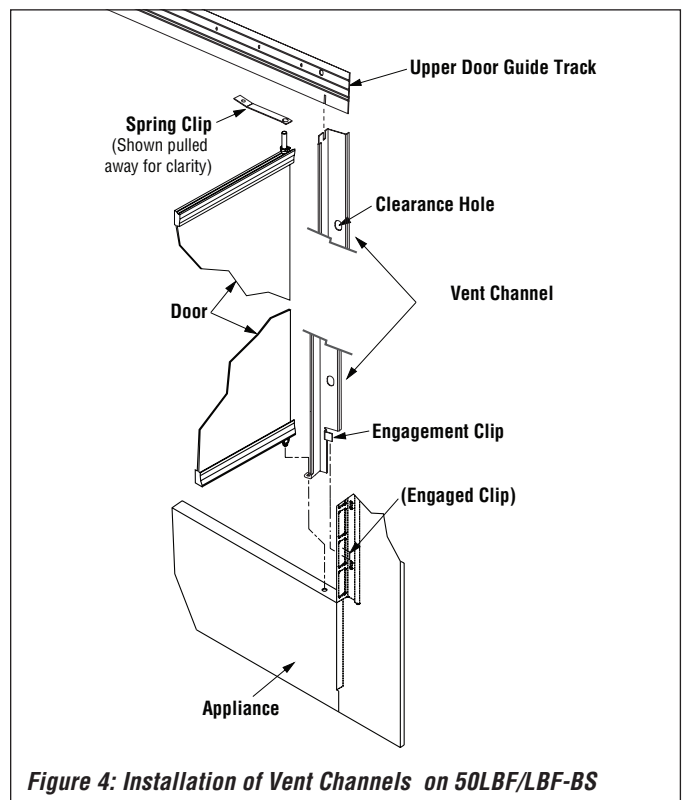
Step 1. Refer to *Figure 4, below*. While holding one of the vent channel components vertically and parallel to one side of the firebox opening, insert the top tab into the upper door guide track between the spring clip and the inside of the upper door guide track.

Step 2. Align the engagement clip with the lowermost opening along the firebox side.

Step 3. Snap the channel into place.

Step 4. When the vent channel is properly positioned, the holes on each tab will align with the door pin holes at the top and bottom of the firebox opening.

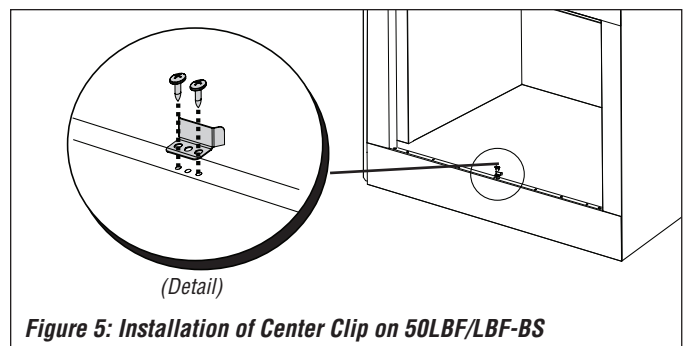
Step 5. Repeat this procedure for the other vent channel component.



Step 6. Remove the factory-installed screw in the center front of the firebox.

Step 7. Position the center clip as shown in *Figure 5, below*, and attach it using the two (2) provided screws.

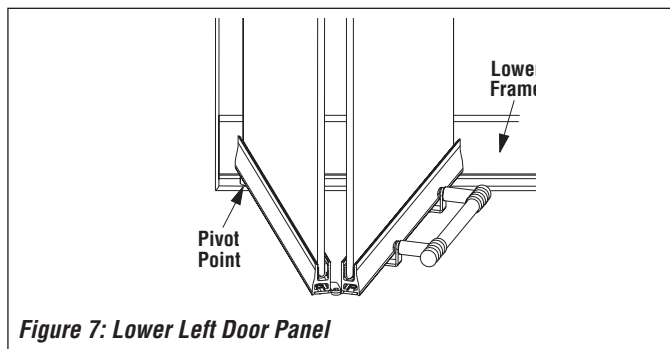
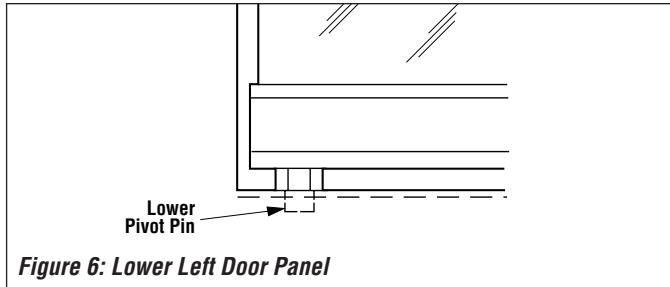
Step 8. Proceed to bi-fold door installation procedures on the *next page*.



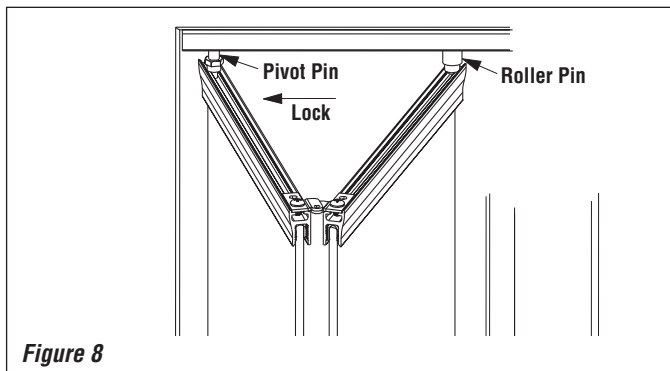
INSTALLING THE BI-FOLD DOORS

Step 1. Refer to **Figure 1** on page 1 for correct door position. Starting with the left door panel, hold it at a slight angle to the door frame outer edge, with the top of the door tilted toward the center of the firebox.

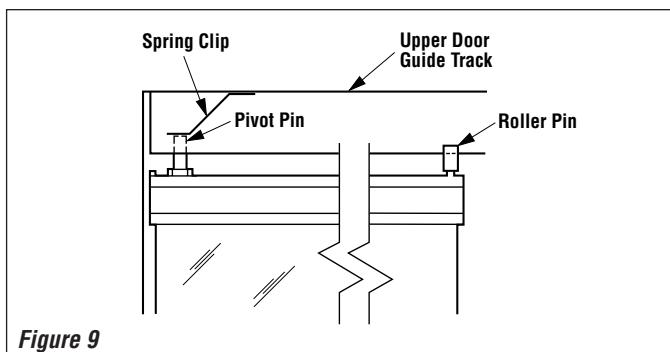
Step 2. Swing the lower outer corner of the door over the hole in the lower frame of the firebox opening, and insert the lower pivot pin into the hole (**Figures 6 and 7, below**).



Step 3. Carefully move the top edge of the door assembly until the upper pivot pin and upper roller pin are inside the upper guide track of the firebox frame (**Figure 8, below**).



Step 4. Continue to carefully move the door until the upper pivot pin slips into the upper door guide track hole and engages the spring clip, which locks it into place (**Figure 9, below**).



ALIGNING THE BI-FOLD DOORS

The doors are properly aligned when the top door trim is in a straight, level line, and the vertical gap between the doors is even from top to bottom.

To align the bi-fold doors:

Step 1. Grasp one door handle, and loosen the lower door pivot pin using a 3/8" open-end wrench.

Note: The upper door pivot pins can be loosened for adjustment purposes; however, it is easier to loosen the lower pins.

Step 2. Slide the door panel on the hinge pin until the gap between the upper door trim and upper frame is even.

Step 3. Retighten the lower door pivot pin.

Step 4. If needed, repeat this procedure for the opposite door.

GENERAL OPERATING PRECAUTIONS AND INSTRUCTIONS

CAUTION

THESE GLASS DOORS ARE LISTED ONLY FOR USE WITH FIREPLACES OR APPLIANCES THAT SPECIFY LBF SERIES BI-FOLD GLASS DOORS. USE ON ANY OTHER FIREPLACE OR APPLIANCE MAY CONSTITUTE A POTENTIAL FIRE HAZARD.

- Avoid building extremely large fires, as the tempered glass could become damaged.
- Use fireplace tools carefully to avoid striking the glass.
- Keep wire mesh screens closed during fireplace use.
- Fireplace flue damper must remain open until fire is completely out.
- Ensure that wood and embers are well within the confines of the grate area and well away from the glass doors.
- Keep wire mesh screens closed during fireplace use.
- Keep glass doors closed at night when retiring to minimize the loss of heated room air up the vent.

IMPORTANT: THE FINISH OF THESE DOORS MAY BE PROTECTED WITH A SELF-ADHERING PLASTIC COATING THAT MUST BE REMOVED BEFORE HEAT IS GENERATED BY A FIRE IN THE FIREBOX. TO PREVENT MELTING, ENSURE THAT ANY PLASTIC COATING PROTECTING THE FINISH OF THESE DOORS IS REMOVED FOLLOWING INSTALLATION. REFER TO THE FIREPLACE INSTALLATION INSTRUCTIONS AND HOMEOWNER'S CARE AND OPERATION INSTRUCTIONS FOR DETAILED INSTRUCTIONS REGARDING THE MAINTENANCE OF THE FINISH OF THESE DOORS.

WARNING

DO NOT BURN TRASH, CONSTRUCTION SCRAPS, RAILROAD TIES, OR OTHER HIGHLY FLAMMABLE MATERIAL IN THE FIREPLACE. INTENSE HEAT CAN CAUSE THE GLASS TO LOSE STRENGTH AND RESILIENCE, WHICH WILL RESULT IN GLASS BREAKAGE.

(continued on next page)

GENERAL OPERATING PRECAUTIONS AND INSTRUCTIONS (continued from previous page)

! WARNING

FRONT-OPEN FIREPLACES SHOULD ONLY BE OPERATED WITH DOORS FULLY OPEN OR DOORS FULLY CLOSED.

MULTI-OPEN FIREPLACES MUST BE OPERATED WITH DOORS FULLY CLOSED.

IF DOORS ARE LEFT PARTLY OPEN, FLAME MAY BE DRAWN OUT OF THE FIREPLACE OPENING, CREATING RISKS OF BOTH FIRE AND SMOKE.

! CAUTION

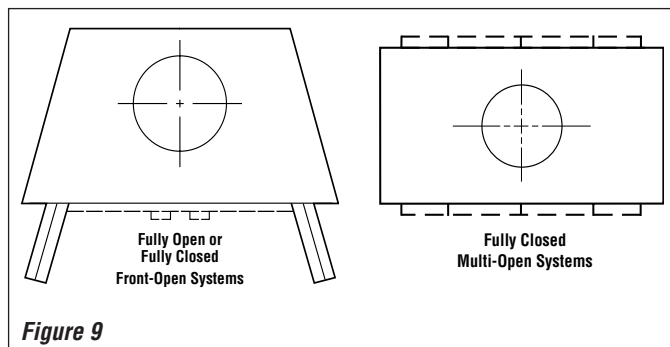
GLASS AND METAL FRAMES GET HOT! ALWAYS USE HANDLES TO OPEN AND CLOSE THE DOORS.

Please refer to the appliance *Care and Operation Instructions* for proper operating conditions.

Front-open fireplace systems should only be operated with the glass doors FULLY OPEN or FULLY CLOSED (see *Figure 9*).

Multi-open fireplace systems must be operated with the glass doors FULLY CLOSED (see *Figure 9*).

Always use the door handles when opening and closing the doors.



! WARNING

BE AWARE THAT SAFETY GLASS IS UNPREDICTABLE WHEN HOT, AND MAY BREAK, EXPELLING HOT GLASS INTO THE ROOM.

WHEN OPERATING WITH DOORS CLOSED, ADVISE ALL FAMILY MEMBERS TO REMAIN WELL AWAY FROM THE FIREPLACE TO AVOID PERSONAL INJURY.

The bi-fold doors utilize tempered glass that is designed for use with high temperatures but that also can shatter unexpectedly. Tempered glass breaks into small particles when it shatters. If the glass in the bi-fold doors does break, particles of extremely hot glass could be discharged into the surrounding environment, thereby creating a risk of personal injury or fire. Observe all operating precautions and instructions to reduce the risk of personal injury or fire.

- **DO NOT SIT CLOSE TO THE GLASS.**
- Extreme temperature changes can cause breakage. **IF THE DOORS ARE COLD, DO NOT BUILD A HOT FIRE AND THEN CLOSE THE DOORS.**
- A chip or scratch creates a weakness in tempered glass that can cause the glass to break when heated. **IF THE GLASS IN THE BI-FOLD DOOR ASSEMBLY BECOMES SCRATCHED OR CHIPPED, REPLACE THE DOOR ASSEMBLY.**

CLEANING

- **NEVER CLEAN THE GLASS WHEN THE DOORS ARE HOT.**
- Ammonia-based cleaners will damage the finish. **DO NOT USE AMMONIA OR AMMONIA-BASED GLASS OR HOUSEHOLD CLEANERS TO CLEAN THE GLASS OR DOOR FRAME.**
- Take care not to scratch the glass surface. **DO NOT USE ABRASIVE CLEANING PRODUCTS OR MATERIALS.**

To remove dirt and grime from the doors, gently scrub with a soft cloth dampened with water; and then wipe dry.

To remove stubborn stains from the doors, use a mild non-ammonia soap solution and soft cloth to gently scrub away the stains. Rinse with clear water, and then wipe dry.

NOTE: DIAGRAMS & ILLUSTRATIONS ARE NOT TO SCALE.

Lennox Hearth Products reserves the right to make changes at any time, without notice, in design, materials, specifications, or prices, and also to discontinue colors, styles and products. Consult your local distributor for fireplace code information.



Free Manuals Download Website

<http://myh66.com>

<http://usermanuals.us>

<http://www.somanuals.com>

<http://www.4manuals.cc>

<http://www.manual-lib.com>

<http://www.404manual.com>

<http://www.luxmanual.com>

<http://aubethermostatmanual.com>

Golf course search by state

<http://golfingnear.com>

Email search by domain

<http://emailbydomain.com>

Auto manuals search

<http://auto.somanuals.com>

TV manuals search

<http://tv.somanuals.com>