

INSTALLATION INSTRUCTIONS FOR INSTALLING SCREEN FACE KIT FOR USE WITH THE RAVELLE™ 30 GAS FIREPLACE



KIT CONTENTS (See Figure 1):

Please ensure that all these parts are included

- 1 ea. Screen Face [Complete] (A)
- 2 ea. Upper Brackets w/Screws (B)
- 2 ea. 1/4"-20 Lower Face Mounting Screws (C)
- 6 ea. #10 Washers
- 6 ea. 10-24 Hex Nuts
- 1 ea. Instruction Sheet

Cat. No.	Model	Description
75382	SCREENF-30	Screen Face, Double Door, Black



Figure 1 - Kit Contents

TOOLS NEEDED:

- Phillips Head Screwdriver
- 3/8" Socket or Nut Driver
- 5/32" Allen Wrench or T-Handle Wrench

GENERAL INFORMATION

If you encounter any problems, need clarification of these instructions or are not qualified to properly install this kit, contact your local distributor or dealer.

Read this instruction sheet in its entirety before beginning the installation.

All of these parts may scratch and bend, great care should be used in handling them.

ALL WARNINGS AND PRECAUTIONS IN THE INSTALLATION AND OPERATION MANUAL PROVIDED WITH THE APPLIANCE APPLY TO THESE INSTRUCTIONS.

TURN OFF THE FIREPLACE AND ALLOW IT TO COMPLETELY COOL BEFORE PROCEEDING.

INSTALLATION INSTRUCTIONS

Step 1. Using a 5/32" allen wrench, remove the lower face mounting brackets from the unit and reverse their locations left to right (see **Figure 2**). Re-attach the brackets (see **Figure 3**) using the existing 10-24 screws. You will need to reverse the speed nuts so that the flat side is toward the center of the fireplace. The outside dimension between the brackets should be 28 inches.

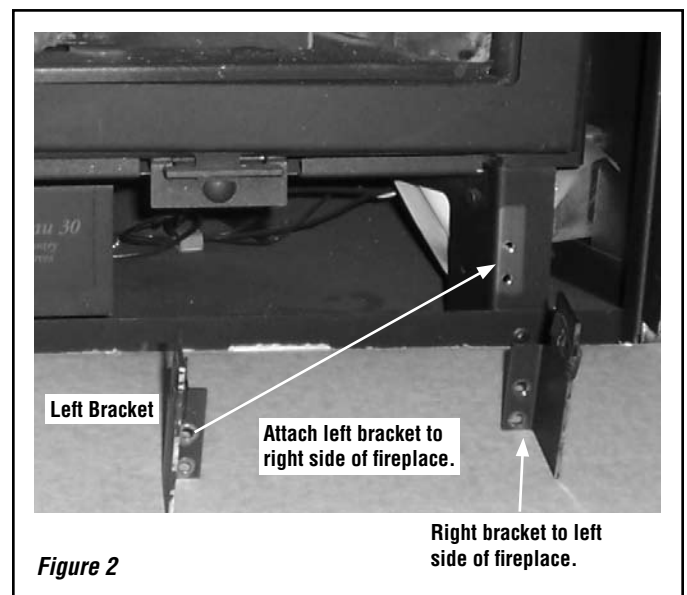


Figure 2

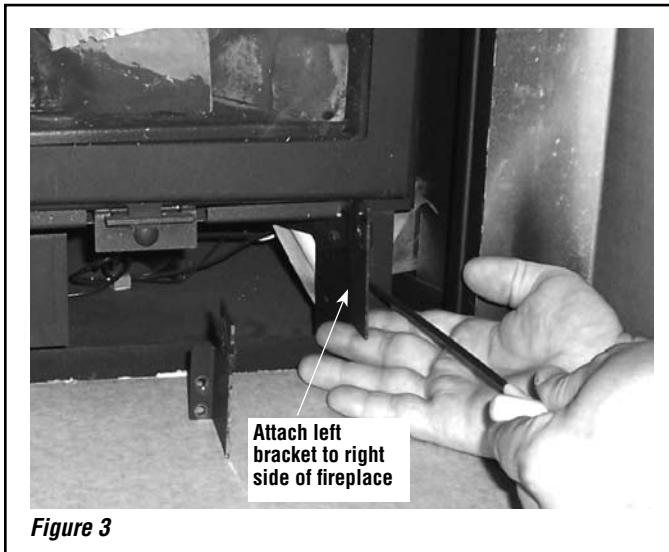


Figure 3

Step 2. Using a 3/8" socket or nut driver, attach the two upper mounting brackets to the six studs (three on each side - indicated by arrows in **Figure 5**) near the top, using the six #10 washers and 10-24 hex nuts provided. The square notch should be to the bottom of the face (see **Figure 4**).

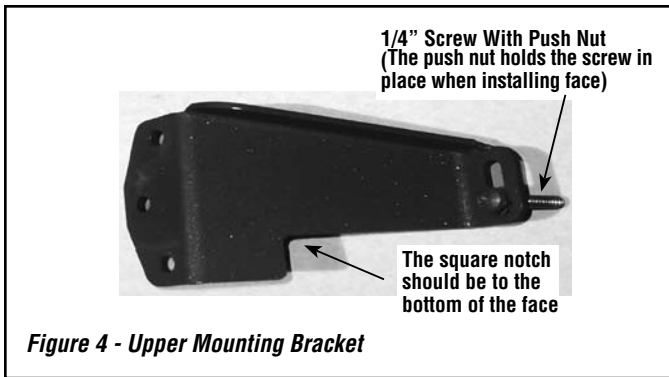


Figure 4 - Upper Mounting Bracket

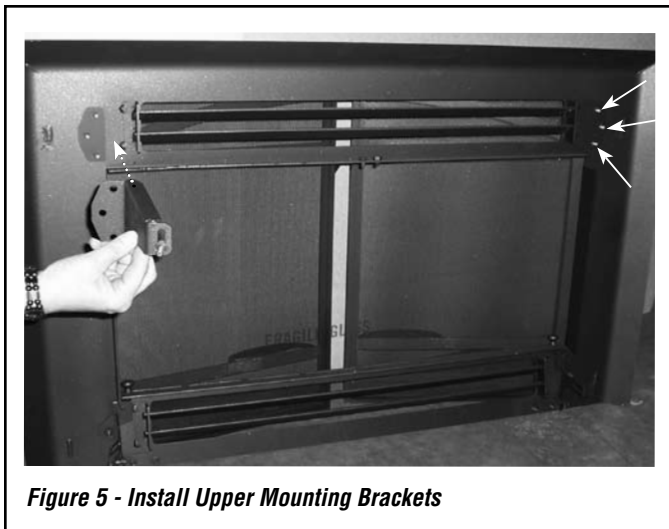


Figure 5 - Install Upper Mounting Brackets

Step 3. Remove the screen doors from the face by gently lifting up and out of their hinges. Check to make sure the washers that separate the two halves of the hinge have not fallen off. Set the screen doors aside.

Step 4. Using a phillips screwdriver (through upper grill opening) attach the screen face to the fireplace starting with the upper brackets. Screw the upper brackets in part way only, you will tighten them in step 6.

Step 5. Open the lower door on the screen face and thread the two 1/4"-20 phillips head screws (provided) through the lower hinge mounts into the speed nuts on lower face brackets, attached to the fireplace (see **Figure 6**).

Step 6. Adjust the alignment and depth of the screen face until it sits flush with the wall and tighten all four mounting screws.

Step 7. Finish the installation by putting the screen doors back on their hinges (check to make sure the washers are in place). This completes the screen face installation.



Figure 6 - Lower Hinge Mounts



Figure 7 - Completed Installation

NOTE: DIAGRAMS & ILLUSTRATIONS ARE NOT TO SCALE

Lennox reserves the right to make changes at any time, without notice, in design, materials, specifications, prices and also to discontinue colors, styles and products. Consult your local distributor for fireplace code information.

Free Manuals Download Website

<http://myh66.com>

<http://usermanuals.us>

<http://www.somanuals.com>

<http://www.4manuals.cc>

<http://www.manual-lib.com>

<http://www.404manual.com>

<http://www.luxmanual.com>

<http://aubethermostatmanual.com>

Golf course search by state

<http://golfingnear.com>

Email search by domain

<http://emailbydomain.com>

Auto manuals search

<http://auto.somanuals.com>

TV manuals search

<http://tv.somanuals.com>