



HEARTH PRODUCTS

LENNOX HEARTH PRODUCTS
KITS AND ACCESSORIES

750,200M
REV. B 06/2006

DECORATIVE STYLE VIEW™ ARCH PANE SCREEN DOOR KITS
CHARCOAL & SATIN PEWTER

INSTALLATION INSTRUCTIONS FOR DECORATIVE TALL ARCH SCREEN PANEL KITS

FOR USE WITH MPB-35/40/45, MPD-35/40/45, MPB35ST, MPD35ST, EDV-35/40/45, SDDV-35/40, EDVST* & EBVST* GAS FIREPLACES

STYLE VIEW TALL ARCH PANE SCREEN DOOR KITS		
CAT#	MODEL	DESCRIPTION
H3525	TAPD35C	35" Arch Pane, Charcoal
H3527	TAPD35SP	35" Arch Pane, Satin Pewter
H3529	TAPD40C	40" Arch Pane, Charcoal *
H3531	TAPD40SP	40" Arch Pane, Satin Pewter *
H3533	TAPD45C	45" Arch Pane, Charcoal
H3535	TAPD45SP	45" Arch Pane, Satin Pewter
H3537	TAPD35EC	35" Arch Pane, Charcoal (SDDV-35 & EDV35 only)
H3539	TAPD35ESP	35" Arch Pane, Satin Pewter (SDDV-35 & EDV35 only)

Table 1

KIT CONTENTS		
ITEM	QUANTITY	DESCRIPTION
1	1 ea.	Door, Left
2	1 ea.	Door, Right
3	1 ea.	Doorframe Assembly
4	1 ea.	Lower Compartment Cover
5	1 ea.	Firebox Bottom Cover Panel
6	1 ea.	Instruction Sheet

Table 2 - Refer to Figure 1

Read and understand all instructions and warnings in this document before beginning the installation.

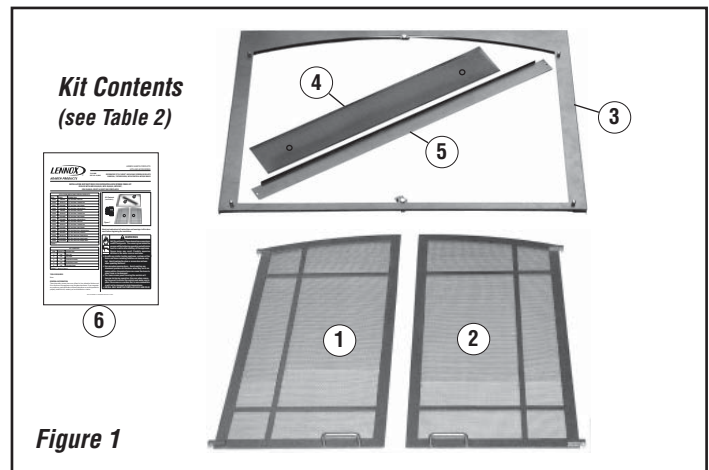
TOOLS REQUIRED

- 5/16" Nutdriver or Socket
- 1/4" Nutdriver or Socket (for EDVST model only)

GENERAL INFORMATION

These decorative screen doors are offered in two attractive finishes and fit on the face of the appliance over the glass doorframe. If you encounter any problems, need clarification of these instructions or are not qualified to properly install this kit, contact your local distributor or dealer.

* Note: Early revisions of model EDVST and EBVST may also require a magnet mounting kit, Cat. No. H2110. If the appliance does not have slots described in Step 5 (to accept the hinge tabs on style view doors), the tabs on the style view doorframe must be sawed off, then the doorframe will be secured to the glass door assembly using 4 magnets provided in the H2110 kit.



WARNINGS

Hot! Do not touch! The decorative screen doors and the glass behind the screen doors will become hot during operation and will retain heat for a while after shutting off the appliance. Severe burns may result. Carefully supervise children in the same room as appliance.

- These decorative screen doors are NOT heat guards and are not intended to prevent burns.
- Operate the doors by only using the door handles. Avoid touching the doorframe, screens, or the glass enclosure, if the door is opened.
- The lower compartment cover will become hot during operation of the fireplace. Use care when removing the panel to access the controls. Handle the compartment cover by grasping the two knobs mounted on the face of the cover panel.
- Be certain to place the control compartment cover panel on a surface that is non-combustible or will not be damaged by high temperatures.
- Use care when opening doors. Avoid exerting any downward pressure on the doors when they are in an open position. Excessive force can cause the doors to come loose or be damaged.
- INSTALL ONLY WHEN THE FIREPLACE IS OFF AND COLD!**

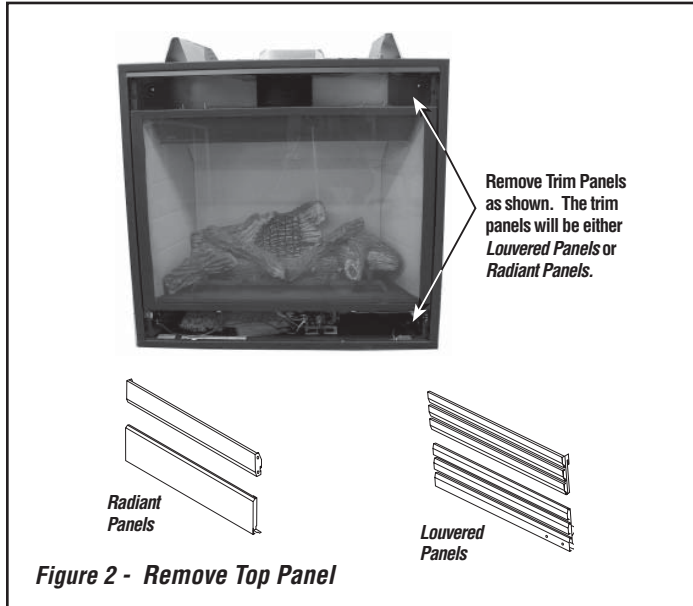
NOTE: DIAGRAMS & ILLUSTRATIONS ARE NOT TO SCALE.

INSTALLATION INSTRUCTIONS:

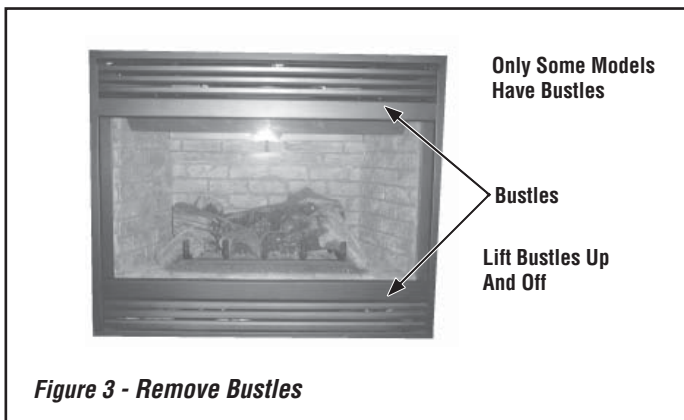
1. Remove Top and Bottom Panels -

a. Remove the top louvered or radiant panel/hood assembly by pulling the assembly up and out (see **Figure 2**). In instances where the radiant panel is used and it is framed in with tile or other approved material, the hood must still be removed by firmly pulling it forward until it releases from the receiving brackets.

b. Remove the bottom louvered or radiant panel/hood assembly (refer to Homeowner's Care and Operation Manual).



c. **Remove Bustles** - Some models have bustles (as shown in **Figure 3**) which must be removed. If applicable, remove the top and bottom bustle by lifting them up and out.



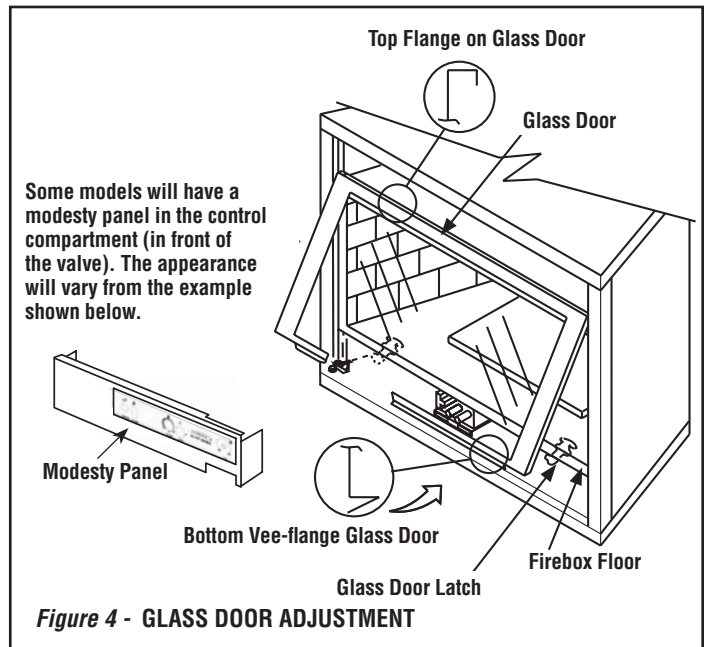
2. **Align Glass Door (see Figure 4)** - Ensure the glass door assembly on the fireplace is properly aligned as follows:

Note: Units with Modesty Panels - Remove the modesty panel, if necessary, as follows: Lift the modesty panel by the tab on the panel's right end, pull the right end of the panel away from cabinet and then pull the panel diagonally out of the corner post slots on the left side of the unit. Remove the modesty panel carefully, so that none of the wires become loose or disconnected.

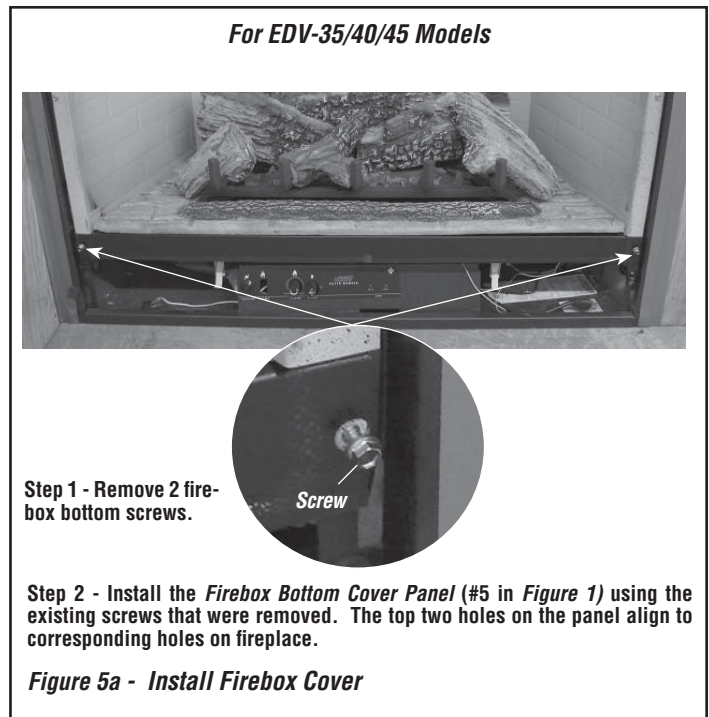
a. Open the latch(es) at the bottom of the glass door assembly as shown in **Figure 4** (refer to Homeowners Manual).

b. Adjust glass door so that it is evenly spaced and aligned to the fireplace chassis on both sides. See **Figure 4**.

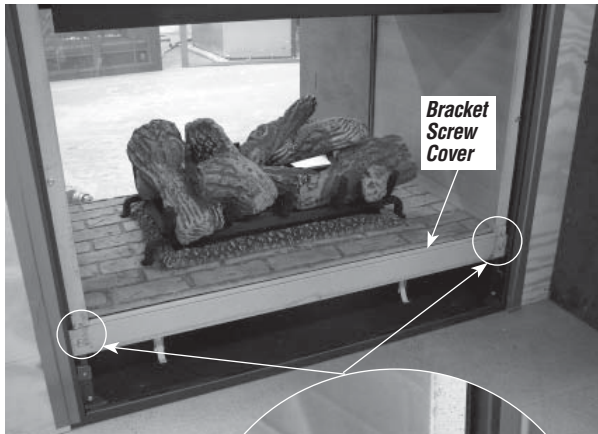
c. Fasten the latch(es). Ensure that the latch(es) are engaged with the door's vee-flange and fully closed. See **Figure 4**.



3. **Install Firebox Bottom Cover Panel** - For Models EDV-35/40/45, see **Figure 5a**. For Model EDVST see **Figure 5b**.

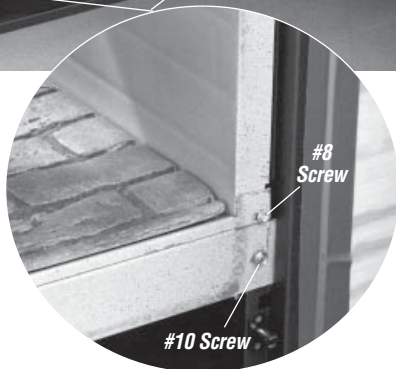


For EDVST Model Only



Step 1 - Remove the two #8 screws from the *bracket screw cover* on both sides.

Step 2 - Remove the two #10 screws from the firebox bottom on both sides (save screws).



Step 3 - Install the *Firebox Bottom Cover Panel* (#5 in *Figure 1*) using the existing #10 screws. The bottom two holes on the cover panel align to corresponding two holes on firebox bottom.

Figure 5b - Install Firebox Cover

- For EDV, EDVST & EBVST models, reinstall modesty panel, ensuring all wires are securely connected.
- Install Doorframe (see Figure 6)** - Remove the arched doorframe from packaging. Position the top of the doorframe above the top of the glass doorframe (centered and approximately 1" above the top of the glass doorframe). Slide down so that the hooks catch on the back of the doorframe slide between the sides of the glass door and the corner posts engaging into existing slots on fireplace.

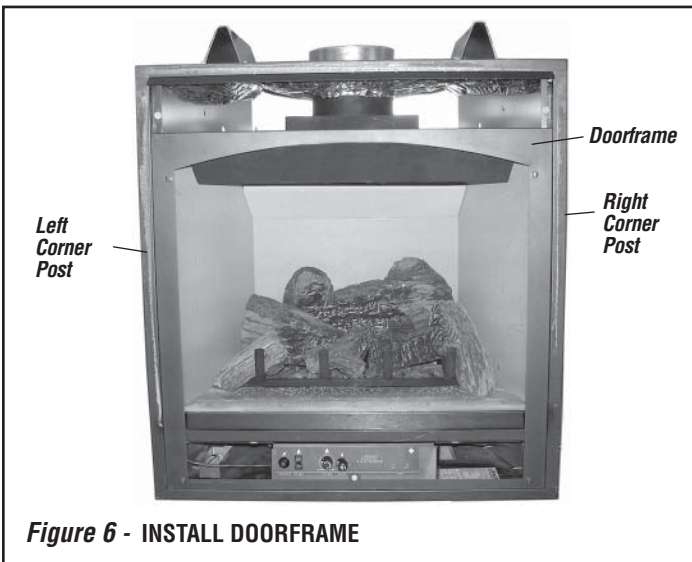


Figure 6 - INSTALL DOORFRAME

- Place the doorframe bracket in the locked position as shown in *Figure 7*.

Adjust Doorframe Bracket

Locate the doorframe bracket on the lower front of the doorframe and lock it behind the cabinet bottom flange as shown here.

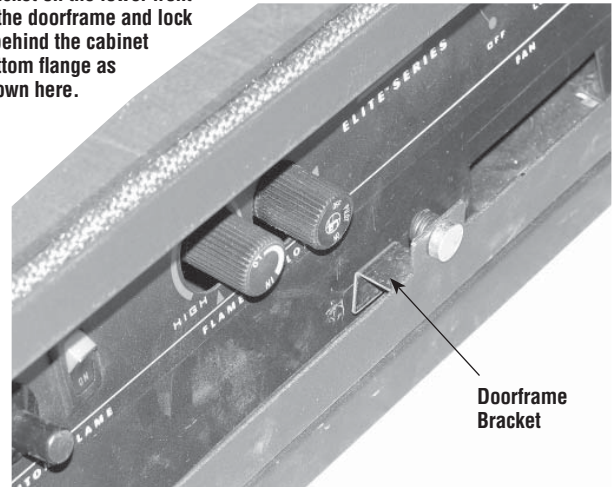


Figure 7

- Remove the screen doors from packaging. Install them by aligning hinge pins on the doors with the hinge holes on the doorframe and slide down (see instructions in *Figure 8*). Ensure the hinge pins are fully seated onto the shoulders of the hinge holes.

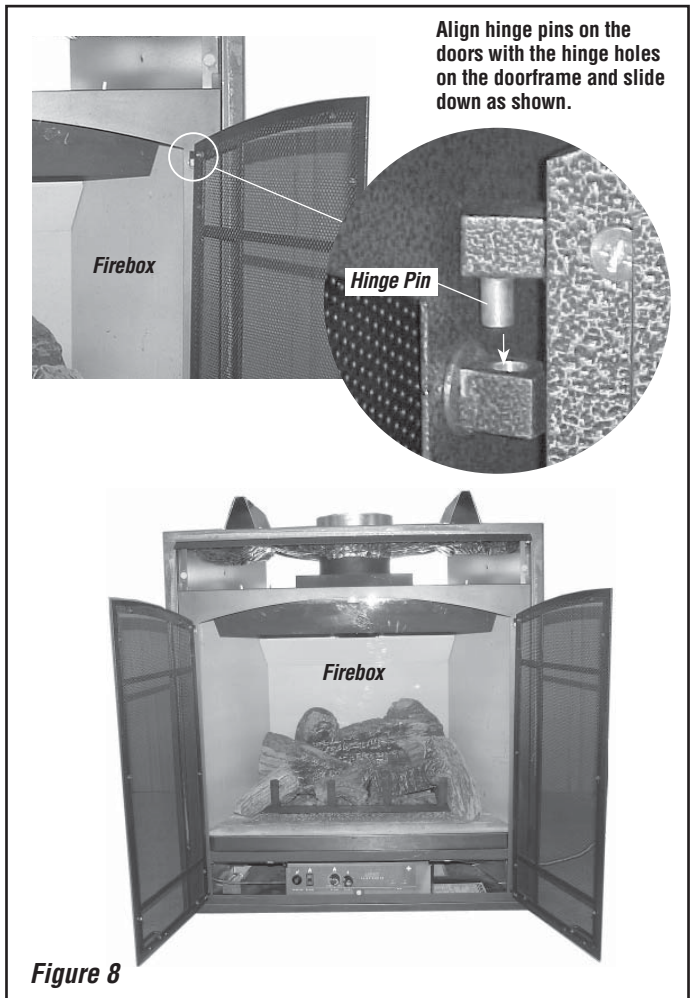
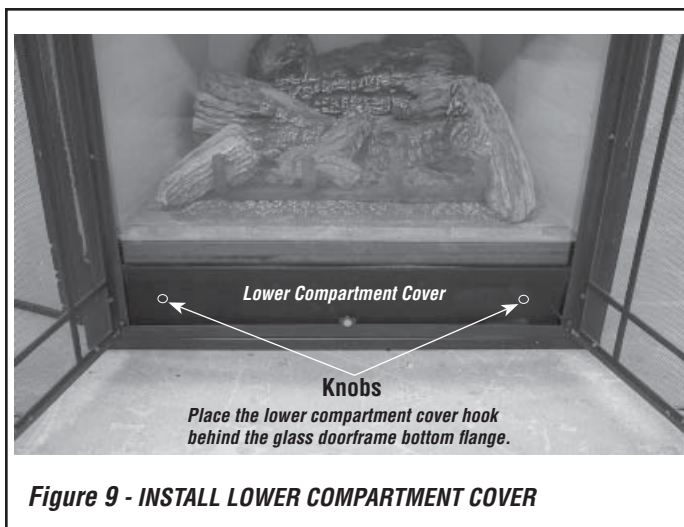


Figure 8

8. Light the appliance following instructions on lighting label in control compartment or see lighting instructions in *Homeowner's Care and Operation Manual* provided with appliance.

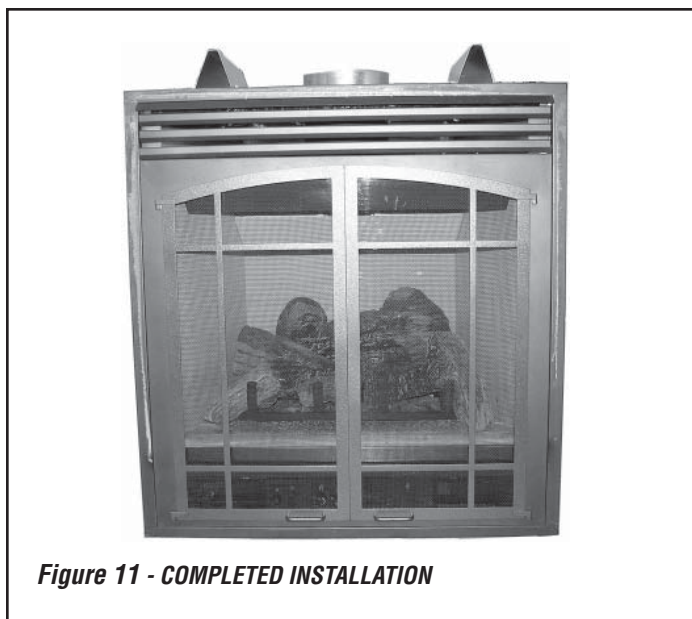
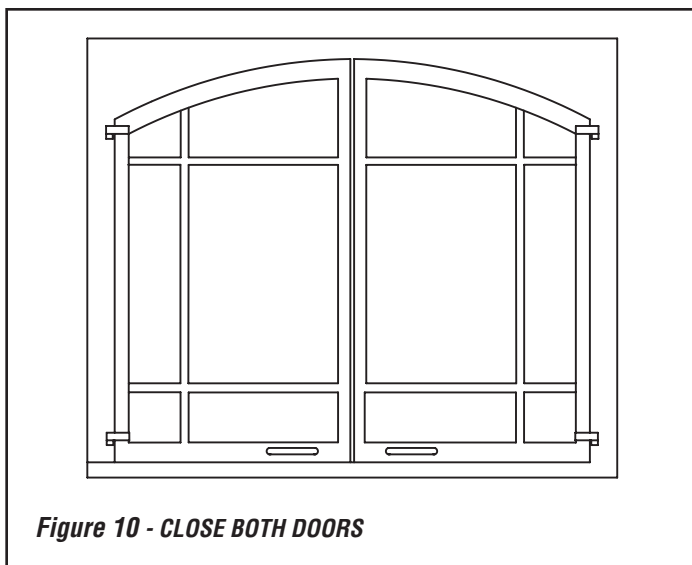
Note: Ensure that the latch(es) below the door are engaged with the door's vee-flange and fully closed before operating the fireplace.

9. Install the lower compartment cover per instructions in *Figure 9*.



10. Re-install the top louvered or radiant panel/hood assemblies.

11. Close both doors as shown in *Figures 9 & 10*.



NOTE: DIAGRAMS & ILLUSTRATIONS ARE NOT TO SCALE.

Lennox Hearth Products reserves the right to make changes at any time, without notice, in design, materials, specifications, prices and the discontinuance of colors, styles and products. Consult your local distributor for fireplace code information.

Printed in U.S.A. © LENNOX HEARTH PRODUCTS 2006

P/N 750,200M REV. B 06/2006

LENNOXTM

HEARTH PRODUCTS

1110 West Taft Avenue • Orange, CA 92865

Free Manuals Download Website

<http://myh66.com>

<http://usermanuals.us>

<http://www.somanuals.com>

<http://www.4manuals.cc>

<http://www.manual-lib.com>

<http://www.404manual.com>

<http://www.luxmanual.com>

<http://aubethermostatmanual.com>

Golf course search by state

<http://golfingnear.com>

Email search by domain

<http://emailbydomain.com>

Auto manuals search

<http://auto.somanuals.com>

TV manuals search

<http://tv.somanuals.com>