



HEARTH PRODUCTS

HEARTH PRODUCTS
KITS AND ACCESSORIES

P/N 506033-52
Rev. NC, 08/2011

GRANDVIEW™ LEG KITS

INSTALLATION INSTRUCTIONS FOR INSTALLING LEGS ON A GRANDVIEW™ 230 WOODSTOVE



KIT CONTENTS

Please ensure that all these parts are included

- 4 ea. Legs
- 4 ea. Hex Bolts 3/8" x 1" Length
- 4 ea. Washers 3/8"

Grandview™ Leg Kits		
Cat. No.	Model	Description
H8339	LEG-COSTL-BLK	Coastal Legs, Black
H8340	LEG-COSTL-BRNKL	Coastal Legs, Brushed Nickel
H8341	LEG-COSTL-NKL	Coastal Legs, Nickel
H8342	LEG-LKVIEW-BLK	Lakeview Legs, Black
70000	LEG-OLY-B	Olympic Sculptured Black
70002	LEG-OLY-N	Olympic Sculptured Nickel
70008	LEG-OLY-BRN	Olympic Sculptured Brushed Nickel

TOOLS NEEDED

9/16" Open End Wrench Or Socket

GENERAL INFORMATION

If you encounter any problems, need clarification of these instructions or are not qualified to properly install this kit, contact you local distributor or dealer.

Read this instruction sheet in its entirety before beginning the installation.

ALL WARNINGS, PRECAUTIONS AND INSTRUCTIONS IN THE INSTALLATION AND OPERATION MANUAL PROVIDED WITH THE APPLIANCE APPLY TO THESE INSTRUCTIONS.

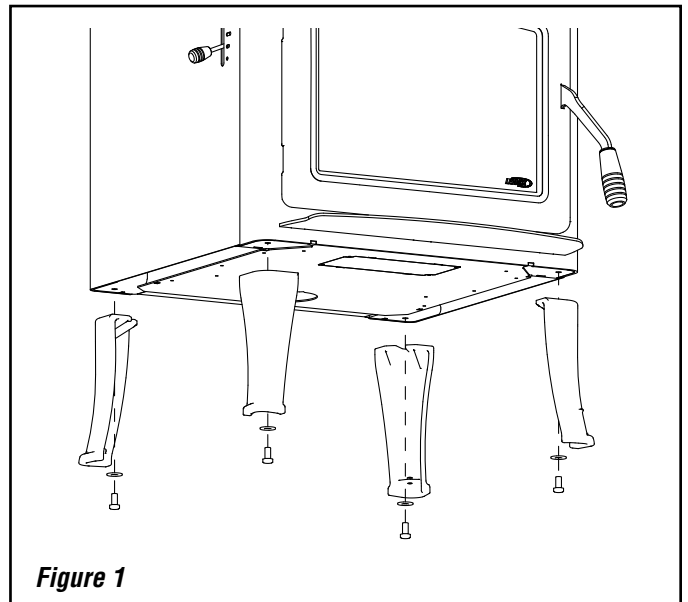
Check the contents of the kits upon receipt and check for any damaged or missing parts. If there is hidden damage, notify your freight company or Lennox Hearth Products dealer immediately.

CAUTION: Wear gloves during installation in case of sharp edges on the stove.

Be sure to clean plated surfaces with a soft cloth and household glass cleaner prior to burning the appliance. Fingerprints left on plated surfaces while burning may remain on the finish permanently.

INSTALLATION INSTRUCTIONS

- Step 1.** Carefully place stove on it's back. Be careful not to scratch the stove, use a piece of cardboard or carpet to protect the back of the stove.
- Step 2.** Using a 9/16" wrench or socket remove the bolt in each of the four corners along with the attached shipping brackets.
- Step 3.** Remove legs from the packaging and using the bolts and washers that come with the legs install each leg in each corner with one bolt and one washer.
- Step 4.** Before the legs are fully tightened down make sure that they are aligned correctly to match the front and side planes of the stove.
- Step 5.** The stove can now be set up on the legs making sure that all baffle boards and bricks are set back in place. These items may have shifted when the stove was placed on it's back.
- Step 6.** If it is necessary to level, secure, or ground your stove, use the holes in the bottom of the leg for those applications. To level the stove use leg leveling kit (P/N H8407) or leveling pads (P/N H7638). Level by adjusting the bolt or leveling pad down on each leg that is not in full contact with the hearth or surface below that the stove is located on.



NOTE: DIAGRAMS AND ILLUSTRATIONS ARE NOT TO SCALE.

Lennox Hearth Products reserves the right to make changes at any time, without notice, in design, materials, specifications, prices and also to discontinue colors, styles and products. Consult your local distributor for fireplace code information.

Printed in U.S.A. © 2011 Lennox Hearth Products

P/N 506033-52 Rev. NC 08/2011

Lennox Hearth Products
1508 Elm Hill Pike, Suite 108 • Nashville, TN 37210

Free Manuals Download Website

<http://myh66.com>

<http://usermanuals.us>

<http://www.somanuals.com>

<http://www.4manuals.cc>

<http://www.manual-lib.com>

<http://www.404manual.com>

<http://www.luxmanual.com>

<http://aubethermostatmanual.com>

Golf course search by state

<http://golfingnear.com>

Email search by domain

<http://emailbydomain.com>

Auto manuals search

<http://auto.somanuals.com>

TV manuals search

<http://tv.somanuals.com>