



**INSTALLATION INSTRUCTIONS**

© 1997 Lennox Industries Inc.  
Dallas, Texas

**GAS UNITS  
KITS AND ACCESSORIES**

**TP** Technical  
Publications  
Litho U.S.A.

503,770M  
10/97

**FURNACE TRANSITION KIT**

**INSTALLATION INSTRUCTIONS FOR FURNACE TRANSITION KIT CAT# 16L23 (LB-89657A), CAT# 16L24 (LB-89657B), AND CAT# 16L25 (LB-89658A), USED WHEN CONVERTING FROM G14 UNITS TO G26 UNITS (UPFLOW)**

**SHIPPING AND PACKING LIST**

**Package 1 of 1 contains:**

- 1 - Supply air transition
- 1 - External Filter rack (used with kit CAT# 16L23 and 16L24)
- 1 - Internal filter rack top piece (used with kit CAT# 16L25)
- 1 - Internal filter rack bottom piece (used with kit CAT# 16L25)
- 1 - Filter rack door
- 1 - Roll of adhesive-backed foam tape (1/8" thick x 5/16" wide)
- 8 - Insulation pins
- 8 - Insulation washers
- 1 - 1/2" CPVC x 1/2" PVC bushing
- 2 - Wire ties (used with kit CAT# 16L25)

**SHIPPING DAMAGE**

Check all components for shipping damage. Consult last carrier immediately if damage is found.

**APPLICATION**

Table 1 shows furnace transition kit usage. These kits are used when replacing an existing G14 upflow furnace with a G26 upflow furnace. It allows installation of the G26 furnace without modification of the existing supply and side return air plenums. Bottom return air applications do not require the provided filter rack.

**Removal of G14**

*G14 installations with air conditioning - G14 removal may require raising of coil, or partially or fully removing the coil. If coil needs to be removed, line sets may need to be cut, which in turn requires system pump-down or refrigerant recovery depending on type of service valves provided on condensing unit or ambient outdoor temperatures.*

**Refer to figure 1 for typical G14 installation.**

**A - G14 units without air conditioning**

- 1 - Set the thermostat to the lowest setting.
- 2 - Disconnect electrical power to G14 unit.
- 3 - Shut off gas to G14 unit.
- 4 - Disconnect supply air plenum at unit top.
- 5 - Remove control access panel.
- 6 - Cut combustion air intake pipe and exhaust pipe in location(s) which will allow convenient reconnection of pipes to G26 unit, and/or removal of muffler(s) (if installed). Remove muffler(s) (if installed). Support intake and exhaust pipes to prevent damage to pipe joints.
- 7 - Cut condensate drain line in a location which will allow convenient reconnection with G26 unit.
- 8 - Disconnect gas line at unit.
- 9 - Disconnect power wiring at unit.
- 10 - Disconnect low voltage wiring at unit.
- 11 - Remove blower access panel.

**TABLE 1**

G14	CABINET WIDTH inches (mm)	G26	CABINET WIDTH inches (mm)	KIT CAT# (LB#)
Q3-40	21-1/4 (540)	Q2/Q3-50	16-1/4 (413)	16L23 (LB-89657A)
Q3-60	21-1/4 (540)	Q3-50 or Q3-75	16-1/4 (413)	16L23 (LB-89657A)
Q4-60	21-1/4 (540)	Q4/5-75	21-1/4 (540)	16L25 (LB-89658A)
Q3-80	21-1/4 (540)	Q3-75	16-1/4 (413)	16L23 (LB-89657A)
Q4-80	21-1/4 (540)	Q4/5-75	21-1/4 (540)	16L25 (LB-89658A)
Q5-80	26-1/4 (667)	Q4/5-75	21-1/4 (540)	16L24 (LB-89657B)
Q3-100	26-1/4 (667)	Q3/4-100	21-1/4 (540)	16L24 (LB-89657B)
Q4/5-100	26-1/4 (667)	Q4/5-100	21-1/4 (540)	16L24 (LB-89657B)

- 12 – Remove filter from inside of unit (if present).  
**Units with side return air** – Disconnect side return air plenum at unit.  
**Units with bottom return air** – Disconnect unit base from return air plenum.

13 – Remove G14 unit.

#### **B – G14 units with air conditioning**

### **IMPORTANT**

The Clean Air Act of 1990 bans the intentional venting of refrigerant (CFC's and HCFC's) as of July 1, 1992. Approved methods of recovery, recycling or reclaiming must be followed. Fines and/or incarceration may be levied for non-compliance.

- 1 – Set the thermostat to the lowest setting.
- 2 – Disconnect electrical power to G14 and condensing unit.
- 3 – Shut off gas to G14 unit.
- 4 – Remove control access panel.
- 5 – Cut and remove any section of intake pipe which blocks access to air conditioning coil. Cut intake and exhaust pipe at a location(s) which will provide convenient reconnection of pipe(s) to G26 unit and/or removal of muffler(s) (if installed). Remove muffler(s) (if installed). Support intake and exhaust pipe to prevent damage to pipe joints.

6 – Remove coil access panel.

7 – Disconnect coil cabinet/supply air plenum at G14 unit top. If coil/coil cabinet can be lifted enough to provide vertical clearance for removal of G14 unit, support coil/coil cabinet at needed height and go to step 11. If not, prepare coil for removal.

8 – If condensing unit has fully functional service valves and outdoor ambient conditions permit operating compressor, pump-down refrigerant system; if not, recover refrigerant.

9 – Cut line sets and coil drain line in a location which will provide convenient reconnection. Move and support to allow for coil removal.

10 – Slide coil from coil cabinet/supply air plenum.

11 – Cut G14 heat exchanger condensate drain line in a location which will provide convenient reconnection with G26 unit.

12 – Disconnect gas line at unit.

13 – Disconnect power wiring at unit.

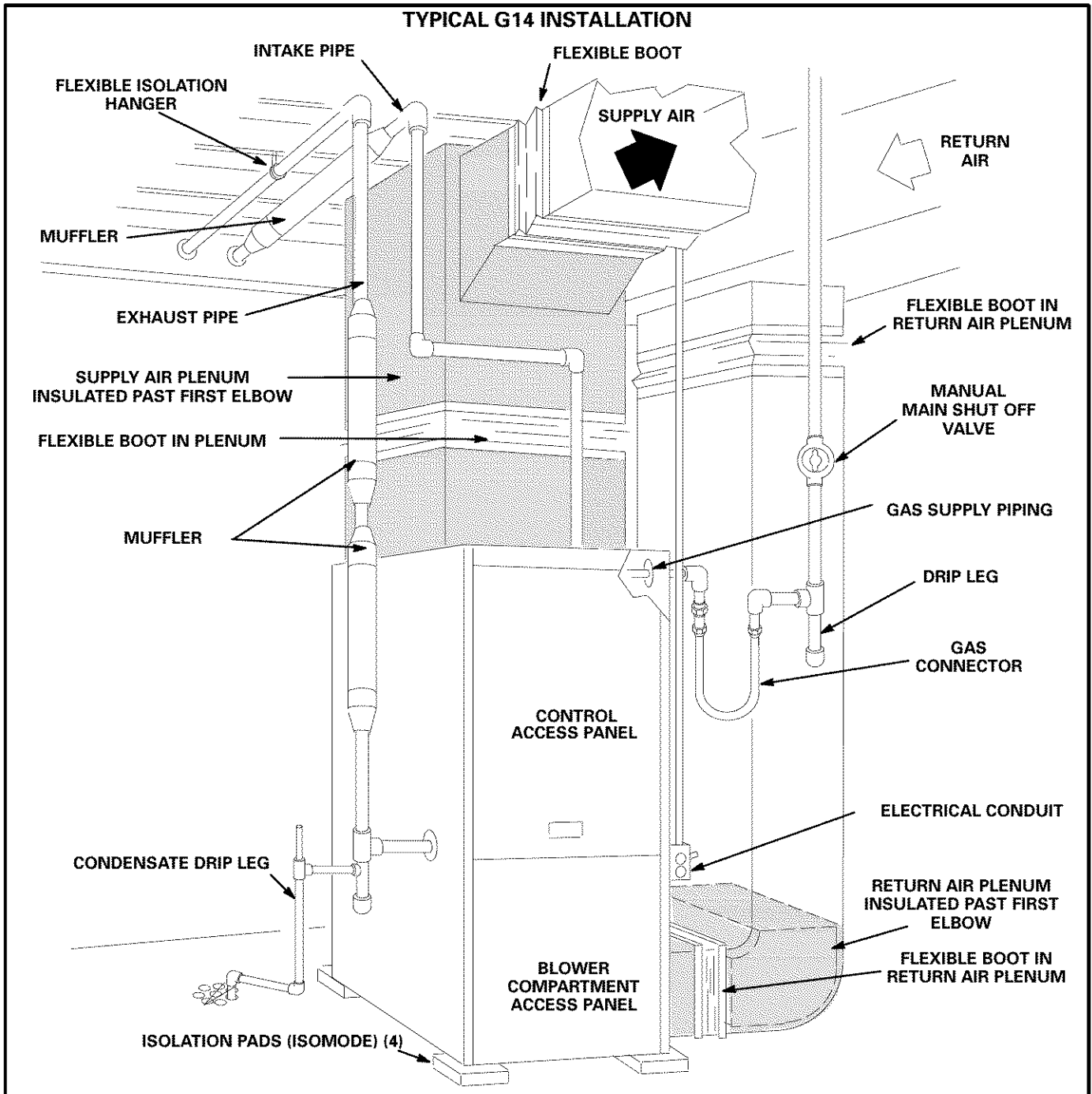
14 – Disconnect low voltage wiring at unit.

15 – Remove blower access panel.

16 – Remove filter from inside unit (if present)

**Units with side return air** – Disconnect side return air plenum at unit.

**Units with bottom return air** – Disconnect unit base from return air plenum.



## INSTALLATION of G26

**Note** - Installation must conform with these instructions and the installation instructions packaged with the G26 furnace.

**Closet installations** - G26 cabinet depth is 2-3/8" (60.5mm) larger than G14. The G26 may be installed one inch (25mm) closer to rear of closet (if space permits) by rotating supply air transition 180 degrees from that shown in figure 4 or 5.

### A - Filter Rack Installation (Side Return Only)

**Note** - Filter rack is not used in bottom return air applications.

#### I - External Filter Rack (Used with kit CAT#16L23 and 16L24)

- 1 - Lay G26 unit on its side and cut out return air opening in cabinet. See figure 4.
- 2 - Filter rack is shipped for right side installation and for 16 inch (40.6 cm) filter size. If application requires left side orientation, convert as shown in figure 2. If application requires 20 inch (50.8 cm) filter size convert as shown in figure 3.

*Note – It is recommended that rack be converted to 20 inch filter size if filter is installed elsewhere in return air duct.*

- 3 – In applications where rack uses a 16 inch (50.8cm) filter, remove filler piece before cutting rack opening. See figure 4.
- 4 – Cut four strips from roll of adhesive-backed foam tape (provided) to fit filter rack flanges. Apply to flanges.
- 5 – Secure filter rack to cabinet as shown in figure 4.
- 6 – Cut opening in filter rack as shown in figure 4.
- 7 – In applications where rack uses a 16 inch (50.8cm) filter, remove rack from cabinet, re-install filler piece, then re-install rack to cabinet.
- 8 – Install existing filter, unless filter is located elsewhere in the return air duct.
- 9 – Attach door to filter rack with thumb screws provided.

## **II – Internal Filter Rack (Used with kit CAT#16L25)**

*Note – If filter is not to be located inside of unit, installation of this filter kit is not required.*

- 1 – Lay G26 unit on its side and cut out return air opening in cabinet at knockout guides. See G26 installation instructions.
- 2 – Install filter rack top and bottom inside unit as shown in figure 5. In right side installations wiring must be carefully worked around.
- 3 – Install existing filter.
- 4 – Slide door into filter rack bottom seam and align with filter rack top securing hole. Attach with thumb screws provided.
- 5 – Secure wiring away from filter access area with two provided wire ties. Use existing screws in existing screw locations to prevent accidental damage to control board(s)/wiring by drilling of new holes.

## **B – Supply Air Transition Installation**

- 1 – Cut four strips from roll of adhesive-backed foam tape (provided) to fit supply air transition flanges at G26 unit connection. Apply to flanges. See figure 4 or 5.
- 2 – Position supply air transition on unit top as shown in figure 4 or 5.
- 3 – If required, internally insulate transition with foil-faced insulation (field provided) and fasten with kit provided insulation pins and washers.

- 4 – Use four screws and/or bend cabinet flanges over transition lips to secure transition.

## **C – Unit Installation**

- 1 – Align unit with existing supply air plenum (coil cabinet in air conditioning applications) and return air plenum.

*Note – If required, use existing G14 isomode pads to achieve this alignment.*

- 2 – Make connections to unit. **In bottom return air applications**, follow the instructions provided with the G26 unit, note especially the warnings in the “Return Air Opening Guidelines” section.
- 3 – **If air conditioning coil was removed**, re-install coil, reconnect line set and coil drain. See condensing unit installation instructions for re-processing of refrigerant system.

**Note – Coil drain line must not be connected to heat exchanger condensate drain line. If lines were connected, debris from evaporator could affect heat exchanger operation.**

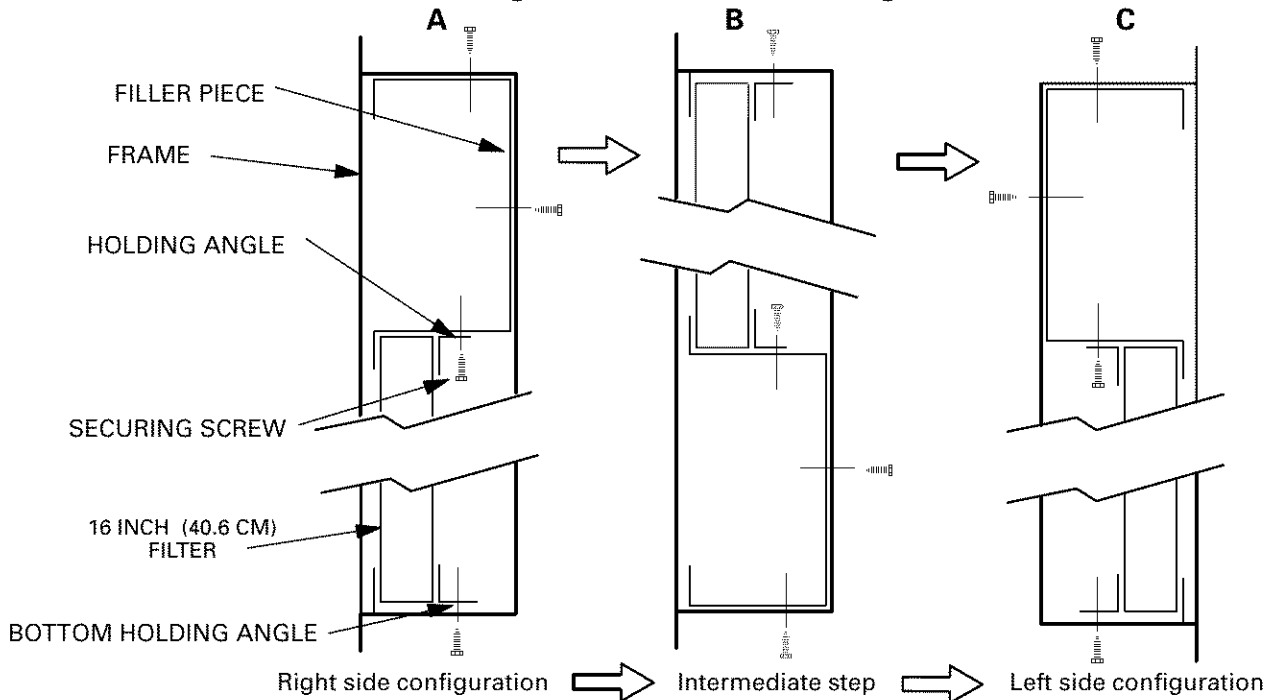
- 4 – Make low voltage wiring entrance to unit on opposite side from return air connection to prevent blocking filter access. Connect as illustrated in G26 installation instructions.
- 5 – Connect high voltage wiring as outlined in G26 installation instructions.
- 6 – Connect gas piping as outlined in G26 installation instructions.  
**Consult local codes for flexible connector installation restrictions on G26 furnace.**
- 7 – Connect venting as outlined in G26 installation instructions.

**Note – Mufflers can not be used in G26 installation. Check existing venting for size (diameter and length). It should meet the specifications as outlined in G26 installation instructions.**

- 8 – Connect heat exchanger condensate drain line as shown in figure 6 and as outlined in G26 unit installation instructions. (A 1/2" PVC to 1/2" CPVC bushing is provided for connecting PVC to existing CPVC condensate line.)
- 9 – Continue with Unit Start-up Section as outlined in G26 installation instructions.

*Note – See G26 installation instructions for heat anticipation settings.*

**EXTERNAL FILTER RACK CONVERSION (KIT CAT# 16L23 AND 16L24)  
From Right Side to Left Side Configuration**

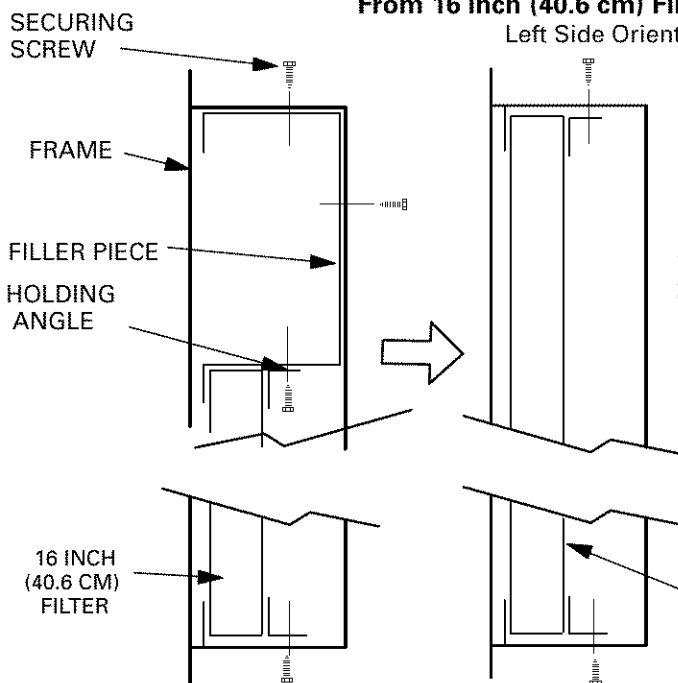


To convert to left side configuration:

- 1 - Remove screws securing filler piece to frame. See detail A.
- 2 - Flip filler piece 180 degrees and secure to bottom of frame. See detail B.
- 3 - Remove bottom holding angle, flip 180 degrees and secure to top of frame. See detail B.
- 4 - Flip frame 180 degrees to give orientation as in detail C.

**FIGURE 2**

**EXTERNAL FILTER RACK CONVERSION (KIT CAT# 16L23 AND 16L24)  
From 16 inch (40.6 cm) Filter Size to 20 inch (50.8 cm)  
Left Side Orientation Shown**



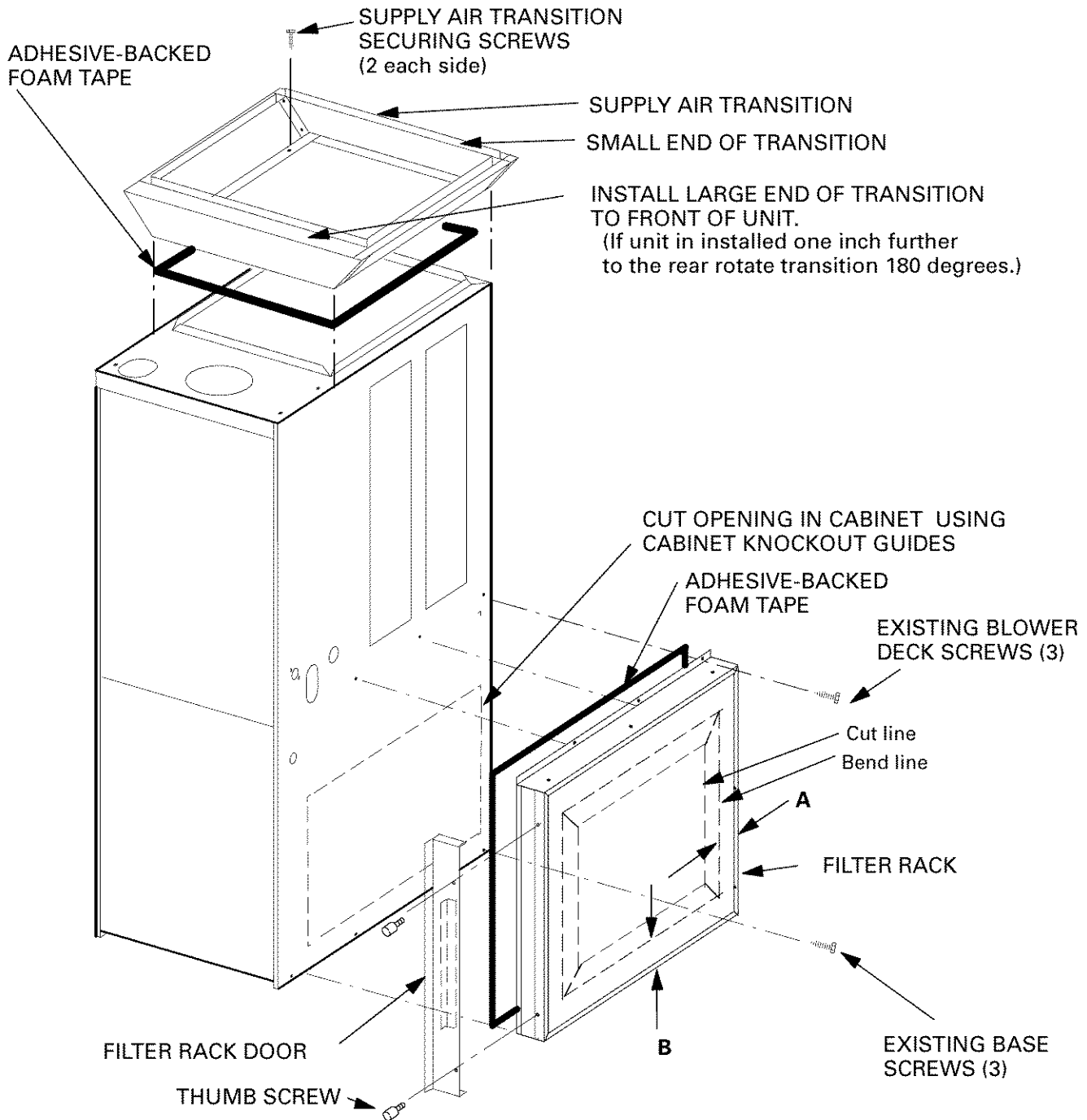
*NOTE - THIS CONVERSION IS ALSO RECOMMENDED IF FILTER IS NOT INSTALLED IN RACK, BUT IS LOCATED ELSEWHERE IN RETURN AIR DUCT.*

To convert from 16 inch (40.6 cm) to 20 inch (50.8 cm) filter size:

- 1 - Remove screws securing filler piece to frame.
- 2 - Remove holding angle from filler piece. Discard filler piece.
- 3 - Re-secure holding angle to top of frame.

**FIGURE 3**

**INSTALLATION OF SUPPLY AIR TRANSITION  
AND EXTERNAL FILTER RACK (KIT CAT# 16L23 AND 16L24)**



**CUT OPENING IN FILTER RACK AS FOLLOWS:**

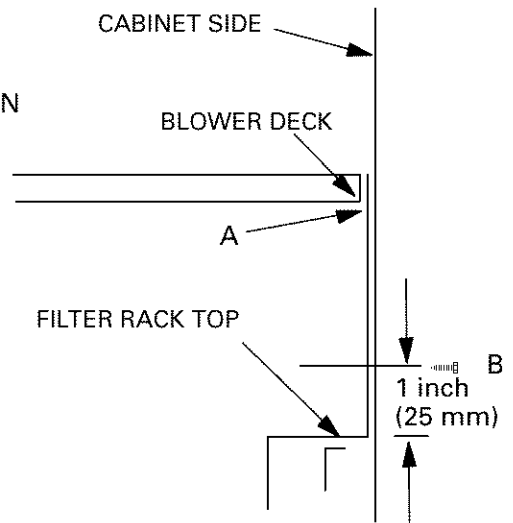
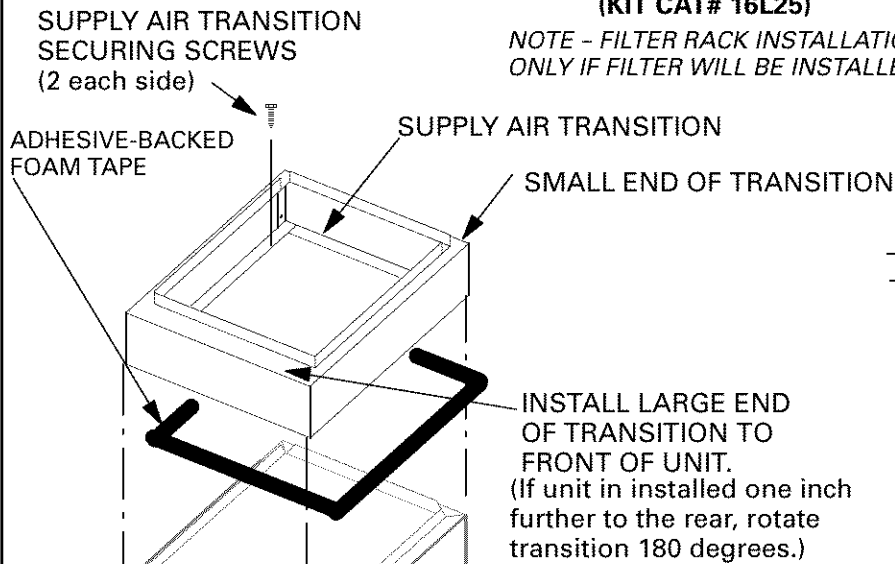
*Note - In 16 inch (40.6 cm) filter applications, remove filler piece before cutting opening.*

- 1 - Measure horizontally from rear of G14 to existing return air opening to give dimension "A". Mark vertical bend line. (If supply air transition was rotated 180 degrees add one inch.)
- 2 - Measure vertically from floor to existing G14 return air opening to give dimension "B". Mark horizontal bend line.
- 3 - Transfer remaining two sides from G14 to G26 and mark.
- 4 - Add 1/2" to these lines and mark cut lines .
- 5 - Cut out opening and bend flanges out toward return air plenum.

**FIGURE 4**

**INSTALLATION OF SUPPLY AIR TRANSITION AND INTERNAL FILTER RACK  
(KIT CAT# 16L25)**

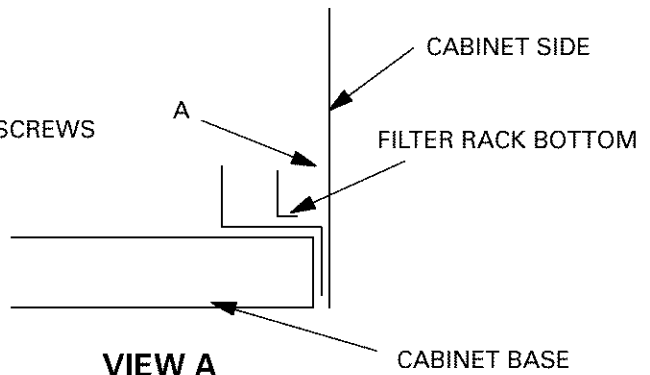
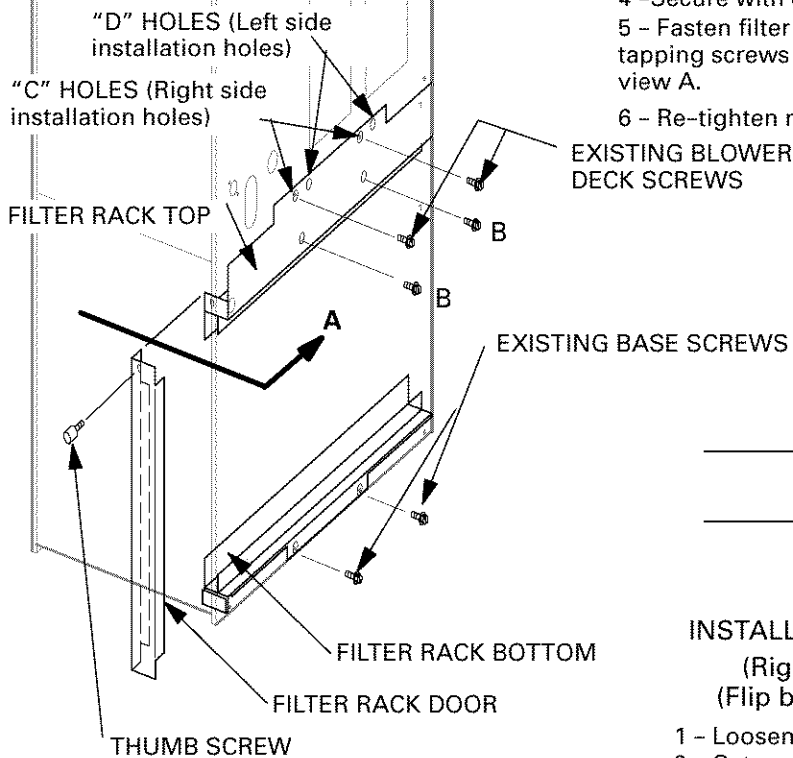
*NOTE - FILTER RACK INSTALLATION REQUIRED ONLY IF FILTER WILL BE INSTALLED INSIDE OF UNIT.*



**VIEW A**

**INSTALL FILTER RACK TOP AS FOLLOWS:  
(Right side installation shown)**

- 1 - Loosen blower deck screws. Remove center two.
- 2 - Cut away any interfering insulation at A.
- 3 - Slide filter rack top between blower deck and cabinet and push back to align "C" holes (right side installation holes). (For left side installation flip bracket and use "D" holes.)
- 4 - Secure with existing screws.
- 5 - Fasten filter rack top with two additional self-drilling self tapping screws at B approximately one inch from edge. See view A.
- 6 - Re-tighten remaining blower deck screws.



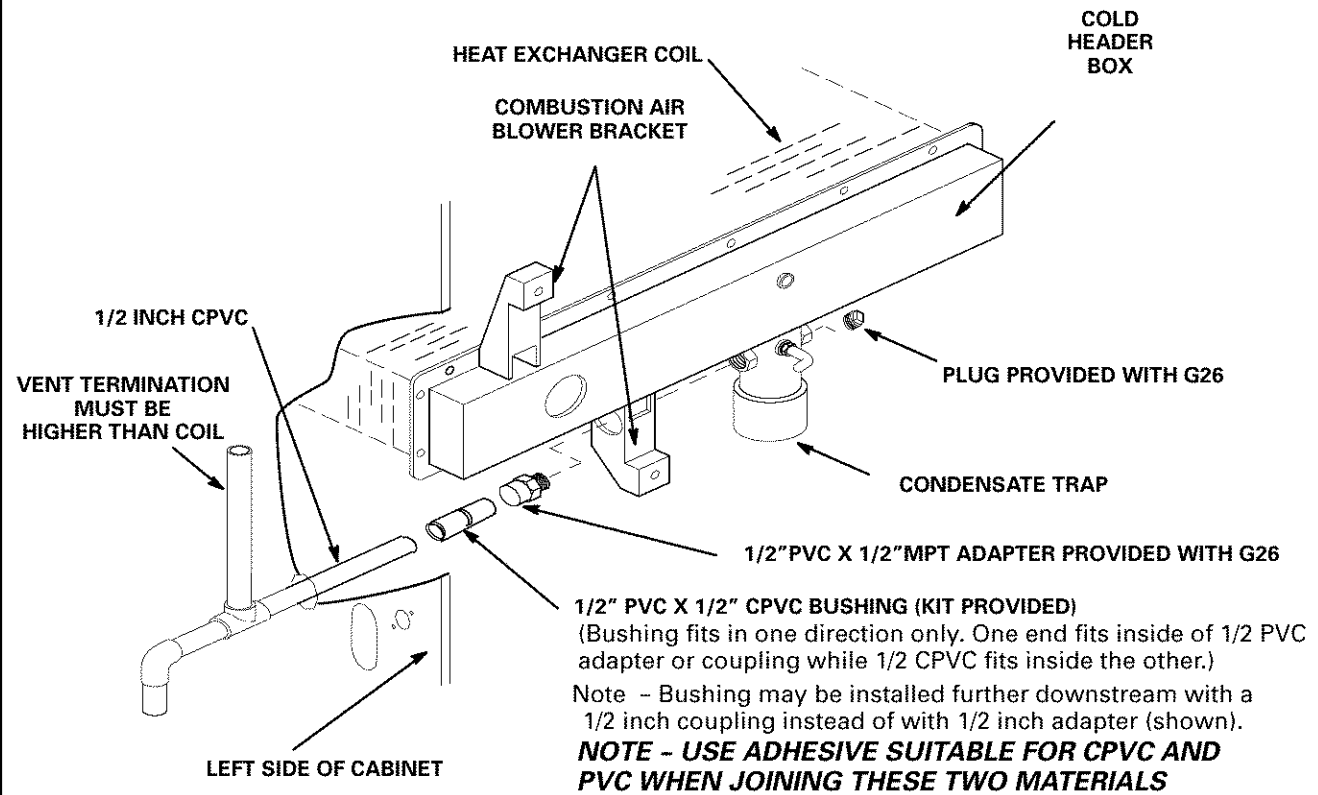
**VIEW A**

**INSTALL FILTER RACK BOTTOM AS FOLLOWS:  
(Right side installation shown)  
(Flip bracket for left side installation)**

- 1 - Loosen base screws. Remove center two.
- 2 - Cut away any interfering insulation at A.
- 3 - Slide filter rack bottom between base and cabinet.
- 4 - Align center two holes and secure with existing screws.
- 5 - Re-tighten remaining base screws.

**FIGURE 5**

**G26 CONDENSATE ASSEMBLY**  
(For left or right installation - left shown)



**FIGURE 6**



## Free Manuals Download Website

<http://myh66.com>

<http://usermanuals.us>

<http://www.somanuals.com>

<http://www.4manuals.cc>

<http://www.manual-lib.com>

<http://www.404manual.com>

<http://www.luxmanual.com>

<http://aubethermostatmanual.com>

Golf course search by state

<http://golfingnear.com>

Email search by domain

<http://emailbydomain.com>

Auto manuals search

<http://auto.somanuals.com>

TV manuals search

<http://tv.somanuals.com>