

lenovo

IdeaPad Y560

Hardware Maintenance Manual

Note:

Before using this information and the product it supports, be sure to read the general information under "Notices" on page 98.

First Edition (Jan. 2010)

© Copyright Lenovo 2010. All rights reserved.

LENOVO products, data, computer software, and services have been developed exclusively at private expense and are sold to governmental entities as commercial items as defined by 48 C.F.R. 2.101 with limited and restricted rights to use, reproduction and disclosure.

LIMITED AND RESTRICTED RIGHTS NOTICE: If products, data, computer software, or services are delivered pursuant a General Services Administration "GSA" contract, use, reproduction, or disclosure is subject to restrictions set forth in Contract No. GS-35F-05925.

© 2010 Lenovo

Contents

Contents	iii	1040 Optical drive	39
About this manual	iv	1050 Thermal slot cover	40
Safety information	1	1060 DIMM	41
General safety	2	1070 Fan assembly and Heat Sink assembly	42
Electrical safety	3	1080 CPU	45
Safety inspection guide	5	1090 SIM card slot cover	46
Handling devices that are sensitive to electrostatic discharge	6	1100 SIM card for Mobile Broadband	47
Grounding requirements	6	1110 PCI Express Mini Card for wireless LAN/WAN and TV card	48
Safety notices: multilingual translations	7	1120 Keyboard cover, system status indicator board and touch inductive panel	52
Laser compliance statement	14	1130 Keyboard	55
Important service information	16	1140 Keyboard bezel, speakers, power board and volume buttons board	56
Strategy for replacing FRUs	16	1150 System board, ExpressCard slot assembly and bluetooth daughter card	63
Strategy for replacing a hard disk drive	17	1160 LCD unit	68
Important notice for replacing a system board	17	1170 Base cover	70
Important information about replacing RoHS compliant FRUs	18	1180 LCD front bezel	73
General checkout	19	1190 LCD panel, LCD cable and hinges	75
What to do first	20	1200 Integrated camera	78
Power system checkout	21	1210 Antenna assembly and LCD cover	79
Checking the AC adapter	21	Locations	80
Checking operational charging	21	Front view	80
Checking the battery pack	22	Right-side view	81
Related service information	23	Bottom and Left-side view	81
Restoring the factory contents by using OneKey Recovery	23	Parts list	82
Restore of factory default	23	Overall	83
Using recovery discs	23	LCD FRUs	88
Passwords	24	Keyboard	90
Power-on password	24	Miscellaneous parts	94
Supervisor password	24	AC adapters	95
Power management	25	Power cords	96
Screen blank mode	25	Notices	98
Sleep (standby) mode	25	Trademarks	99
Hibernation mode	26		
Lenovo IdeaPad Y560	27		
Specifications	27		
Status indicators	30		
Fn key combinations	32		
FRU replacement notices	33		
Screw notices	33		
Removing and replacing an FRU	34		
1010 Battery pack	35		
1020 Dummy cards	36		
1030 Hard disk drive (HDD) slot cover and HDD	37		

About this manual

This manual contains service and reference information for the following Lenovo IdeaPad product:

Lenovo IdeaPad Y560

Use this manual to troubleshoot problems.

The manual is divided into the following sections:

- The common sections provide general information, guidelines, and safety information required for servicing computers.
- The product-specific section includes service, reference, and product-specific parts information.

Important:

This manual is intended only for trained servicers who are familiar with Lenovo IdeaPad products. Use this manual to troubleshoot problems effectively.

Before servicing a Lenovo IdeaPad product, make sure to read all the information under “Safety information” on page 1 and “Important service information” on page 16.

Safety information

This chapter presents the following safety information that you need to get familiar with before you service an IdeaPad Y560 computer:

- “General safety” on page 2.
- “Electrical safety” on page 3
- “Safety inspection guide” on page 5
- “Handling devices that are sensitive to electrostatic discharge” on page 6
- “Grounding requirements” on page 6
- “Safety notices: multilingual translations” on page 7
- “Laser compliance statement” on page 14

General safety

Follow these rules below to ensure general safety:

- Observe a good housekeeping in the area where the machines are put during and after the maintenance.
- When lifting any heavy object:
 1. Make sure that you can stand safely without slipping.
 2. Distribute the weight of the object equally between your feet.
 3. Use a slow lifting force. Never move suddenly or twist when you attempt to lift it.
 4. Lift it by standing or pushing up with your leg muscles; this action could avoid the strain from the muscles in your back. Do not attempt to lift any object that weighs more than 16 kg (35 lb) or that you think is too heavy for you.
- Do not perform any action that causes hazards to the customer, or that makes the machine unsafe.
- Before you start the machine, make sure that other service representatives and the customer are not in a hazardous position.
- Place removed covers and other parts in a safe place, keeping them away from all personnel, while you are servicing the machine.
- Keep your toolbox away from walk areas so that other people will not trip it over.
- Do not wear loose clothing that can be trapped in the moving parts of the machine. Make sure that your sleeves are fastened or rolled up above your elbows. If your hair is long, fasten it.
- Insert the ends of your necktie or scarf inside clothing or fasten it with the nonconductive clip, about 8 centimeters (3 inches) from the end.
- Do not wear jewelry, chains, metal-frame eyeglasses, or metal fasteners for your clothing.

Attention: Metal objects are good electrical conductors.
- Wear safety glasses when you are hammering, drilling, soldering, cutting wire, attaching springs, using solvents, or working in any other conditions that may be hazardous to your eyes.
- After service, reinstall all safety shields, guards, labels, and ground wires. Replace any safety device that is worn or defective.
- Reinstall all covers correctly before returning the machine to the customer.
- Fan louvers on the machine help to prevent the overheating of internal components. Do not obstruct fan louvers or cover them with labels or stickers.

Electrical safety

Observe the following rules when working on electrical equipments.

Important:

Use only approved tools and test equipments. Some hand tools have handles covered with a soft material that does not insulate you when working with live electrical currents.

Many customers have rubber floor mats near their machines that contain small conductive fibers to decrease electrostatic discharges. Do not use such kind of mat to protect yourself from electrical shock.

- Find the room emergency power-off (EPO) switch, disconnecting the switch or electrical outlet. If an electrical accident occurs, you can then operate the switch or unplug the power cord quickly.
- Do not work alone under hazardous conditions or near the equipment that has hazardous voltages.
- Disconnect all power before:
 - Performing a mechanical inspection
 - Working near power supplies
 - Removing or installing main units
- Before you start to work on the machine, unplug the power cord. If you cannot unplug it, ask the customer to power-off the wall box that supplies power to the machine, and to lock the wall box in the off position.
- If you need to work on a machine that has exposed electrical circuits, observe the following precautions:
 - Ensure that another person, familiar with the power-off controls, is near you.

Attention: Another person must be there to switch off the power, if necessary.
 - Use only one hand when working with powered-on electrical equipment; keep the other hand in your pocket or behind your back.

Attention: An electrical shock can occur only when there is a complete circuit. By observing the above rule, you may prevent a current from passing through your body.
 - When using testers, set the controls correctly and use the approved probe leads and accessories for that tester.
 - Stand on suitable rubber mats (obtained locally, if necessary) to insulate you from grounds such as metal floor strips and machine frames.

Observe the special safety precautions when you work with very high voltages; instructions for these precautions are in the safety sections of maintenance information. Be extremely careful when you measure the high voltages.

- Regularly inspect and maintain your electrical hand tools for safe operational condition.
- Do not use worn or broken tools and testers.
- Never assume that power has been disconnected from a circuit. First, check it to make sure that it has been powered off.

- Always look carefully for possible hazards in your work area. Examples of these hazards are moist floors, nongrounded power extension cables, power surges, and missing safety grounds.
- Do not touch live electrical circuits with the reflective surface of a plastic dental mirror. The surface is conductive; such touching can cause personal injury and machine damage.
- Do not service the following parts with the power on when they are removed from their normal operating places in a machine:
 - Power supply units
 - Pumps
 - Blowers and fans
 - Motor generatorsand similar units. (This practice ensures correct grounding of the units.)
- If an electrical accident occurs:
 - Caution: do not become a victim yourself.
 - Switch off the power.
 - Send the victim to get medical aid.

Safety inspection guide

The purpose of this inspection guide is to assist you in identifying potential unsafe conditions. As each machine was designed and built, required safety items were installed to protect users and service personnel from injury. This guide addresses only those items. You should use good judgment to identify potential safety hazards according to the attachment of non-Lenovo IdeaPad features or options not covered by this inspection guide.

If any unsafe conditions are present, you must determine how serious the apparent hazard could be and whether you can continue without first correcting the problem.

Consider these conditions and the safety hazards they present:

- Electrical hazards, especially primary power (primary voltage on the frame can cause serious or fatal electrical shock)
- Explosive hazards, such as a damaged CRT face or a bulging capacitor
- Mechanical hazards, such as loose or missing hardware

To determine whether there are any potential unsafe conditions, use the following checklist at the beginning of every service task. Begin the checks with the power off, and the power cord disconnected.

Checklist:

1. Check exterior covers for damage (loose, broken, or sharp edges).
2. Turn off the computer. Disconnect the power cord.
3. Check the power cord for:
 - a. A third-wire ground connector in good condition. Use a meter to measure third-wire ground continuity for 0.1 ohm or less between the external ground pin and the frame ground.
 - b. The power cord should be the type specified in the parts list.
 - c. Insulation must not be frayed or worn.
4. Check for cracked or bulging batteries.
5. Remove the cover.
6. Check for any obvious non-Lenovo IdeaPad alterations. Use good judgment as to the safety of any non-Lenovo IdeaPad alterations.
7. Check inside the unit for any obvious unsafe conditions, such as metal filings, contamination, water or other liquids, or signs of fire or smoke damage.
8. Check for worn, frayed, or pinched cables.
9. Check that the power-supply cover fasteners (screws or rivets) have not been removed or tampered with.

Handling devices that are sensitive to electrostatic discharge

Any computer part containing transistors or integrated circuits (ICs) should be considered sensitive to electrostatic discharge (ESD). ESD damage can occur when there is a difference in charge between objects. Protect against ESD damage by equalizing the charge so that the machine, the part, the work mat, and the person handling the part are all at the same charge.

Notes:

1. Use product-specific ESD procedures when they exceed the requirements noted here.
2. Make sure that the ESD protective devices you use have been certified (ISO 9000) as fully effective.

When handling ESD-sensitive parts:

- Keep the parts in protective packages until they are inserted into the product.
- Avoid contact with other people.
- Wear a grounded wrist strap against your skin to eliminate static on your body.
- Prevent the part from touching your clothing. Most clothing is insulative and retains a charge even when you are wearing a wrist strap.
- Use the black side of a grounded work mat to provide a static-free work surface. The mat is especially useful when handling ESD-sensitive devices.
- Select a grounding system, such as those listed below, to provide protection that meets the specific service requirement.

Note:

The use of a grounding system to guard against ESD damage is desirable but not necessary.

- Attach the ESD ground clip to any frame ground, ground braid, or green-wire ground.
- When working on a double-insulated or battery-operated system, use an ESD common ground or reference point. You can use coax or connector-outside shells on these systems.
- Use the round ground prong of the ac plug on ac-operated computers.

Grounding requirements

Electrical grounding of the computer is required for operator safety and correct system function. Proper grounding of the electrical outlet can be verified by a certified electrician.

Safety notices: multilingual translations

The safety notices in this section are provided in English, French, German, Hebrew, Italian, Japanese, and Spanish.

Safety notice 1

Before the computer is powered on after FRU replacement, make sure all screws, springs, and other small parts are in place and are not left loose inside the computer. Verify this by shaking the computer and listening for rattling sounds. Metallic parts or metal flakes can cause electrical shorts.

Avant de remettre l'ordinateur sous tension après remplacement d'une unité en clientèle, vérifiez que tous les ressorts, vis et autres pièces sont bien en place et bien fixées. Pour ce faire, secouez l'unité et assurez-vous qu'aucun bruit suspect ne se produit. Des pièces métalliques ou des copeaux de métal pourraient causer un court-circuit.

Bevor nach einem FRU-Austausch der Computer wieder angeschlossen wird, muß sichergestellt werden, daß keine Schrauben, Federn oder andere Kleinteile fehlen oder im Gehäuse vergessen wurden. Der Computer muß geschüttelt und auf Klappergeräusche geprüft werden. Metallteile oder-splitter können Kurzschlüsse erzeugen.

לפני הפעלת המחשב לאחר החלפת FRU יש לוודא שכל הברזים, הקפיצים, וחלקים קטנים אחרים נמצאים במקומם ואינם חופשיים לזוז בתוך המחשב. כדי לוודא זאת, יש לטלטל את המחשב ולהקשיב לגילוי קולות ששוק. חלקי או שבבי מתכת עלולים לגרום לקצרים חשמליים.

Prima di accendere l'elaboratore dopo che é stata effettuata la sostituzione di una FRU, accertarsi che tutte le viti, le molle e tutte le altri parti di piccole dimensioni siano nella corretta posizione e non siano sparse all'interno dell'elaboratore. Verificare ciò scuotendo l'elaboratore e prestando attenzione ad eventuali rumori; eventuali parti o pezzetti metallici possono provocare cortocircuiti pericolosi.

FRUの交換後、コンピュータの電源を入れる前に、ねじ、バネ、その他の小さな部品がすべて正しい位置にあり、またコンピュータの内部で緩んでいないことを確認してください。

これを確認するには、コンピュータを振って、カチャカチャと音がしないか確かめます。金属部品や金属破片はショートの原因になることがあります。

Antes de encender el sistema despues de sustituir una FRU, compruebe que todos los tornillos, muelles y demás piezas pequeñas se encuentran en su sitio y no se encuentran sueltas dentro del sistema. Compruébelo agitando el sistema y escuchando los posibles ruidos que provocarían. Las piezas metálicas pueden causar cortocircuitos eléctricos.

Safety notice 2

⚠ DANGER

Some standby batteries contain a small amount of nickel and cadmium. Do not disassemble a standby battery, recharge it, throw it into fire or water, or short-circuit it. Dispose of the battery as required by local ordinances or regulations. Use only the battery in the appropriate parts listing. Use of an incorrect battery can result in ignition or explosion of the battery.

Certaines batteries de secours contiennent du nickel et du cadmium. Ne les démontez pas, ne les rechargez pas, ne les exposez ni au feu ni à l'eau. Ne les mettez pas en court-circuit. Pour les mettre au rebut, conformez-vous à la réglementation en vigueur. Lorsque vous remplacez la pile de sauvegarde ou celle de l'horloge temps réel, veillez à n'utiliser que les modèles cités dans la liste de pièces détachées adéquate. Une batterie ou une pile inappropriée risque de prendre feu ou d'exploser.

Die Bereitschaftsbatterie, die sich unter dem Diskettenlaufwerk befindet, kann geringe Mengen Nickel und Cadmium enthalten. Sie darf nicht zerlegt, wiederaufgeladen, kurzgeschlossen, oder Feuer oder Wasser ausgesetzt werden. Bei der Entsorgung die örtlichen Bestimmungen für Sondermüll beachten. Beim Ersetzen der Bereitschafts-oder Systembatterie nur Batterien des Typs verwenden, der in der Ersatzteilliste aufgeführt ist. Der Einsatz falscher Batterien kann zu Entzündung oder Explosion führen.

סוללות המתנה מסוימות מכילות כמות קטנה של ניקל וקדמיום. אין לפרק סוללת המתנה, לטעון אותה מחדש, להשליך אותה לנאש או למים או לקצר אותה. יש לשלוק את הסוללה בנדרש על ידי התקנות והחוקים המקומיים. יש להשתמש רק בסוללה המופיעה ברשימת החלקים המתאימה. שימוש בסוללה לא מתאימה עלול לגרום להצתה או התפוצצות של הסוללה.

Alcune batterie di riserva contengono una piccola quantità di nichel e cadmio. Non smontarle, ricaricarle, gettarle nel fuoco o nell'acqua né cortocircuitarle. Smaltirle secondo la normativa in vigore (DPR 915/82, successive disposizioni e disposizioni locali). Quando si sostituisce la batteria dell'RTC (real time clock) o la batteria di supporto, utilizzare soltanto i tipi inseriti nell'appropriato Catalogo parti. L'impiego di una batteria non adatta potrebbe determinare l'incendio o l'esplosione della batteria stessa.

予備バッテリーの中には少量のニッケルとカドミウムが含まれているものがあります。したがって、予備バッテリーの分解、再充電、火または水の中への投棄、またはショートさせることは決して行わないでください。バッテリーを廃棄する場合は地方自治体の条例に従ってください。適切なパーツ・リストにあるバッテリーだけを使用してください。誤ったバッテリーを使用すると、バッテリーが発火したり、爆発したりすることがあります。

Algunas baterías de reserva contienen una pequeña cantidad de níquel y cadmio. No las desmonte, ni recargue, ni las eche al fuego o al agua ni las cortocircuite. Deséchelas tal como dispone la normativa local. Utilice sólo baterías que se encuentren en la lista de piezas. La utilización de una batería no apropiada puede provocar la ignición o explosión de la misma.

Safety notice 3**⚠ DANGER**

The battery pack contains small amounts of nickel. Do not disassemble it, throw it into fire or water, or short-circuit it. Dispose of the battery pack as required by local ordinances or regulations. Use only the battery in the appropriate parts listing when replacing the battery pack. Use of an incorrect battery can result in ignition or explosion of the battery.

La batterie contient du nickel. Ne la démontez pas, ne l'exposez ni au feu ni à l'eau. Ne la mettez pas en court-circuit. Pour la mettre au rebut, conformez-vous à la réglementation en vigueur. Lorsque vous remplacez la batterie, veillez à n'utiliser que les modèles cités dans la liste de pièces détachées adéquate. En effet, une batterie inappropriée risque de prendre feu ou d'exploser.

Akkumulační články obsahují malé množství niklu. Nemějte je rozmontovat, nehoďte je do ohně ani do vody, nekrátkujete. Odstraňujte je podle místních předpisů nebo předpisů. Používejte pouze baterie uvedené v seznamu dílů. Použití nesprávných baterií může způsobit vznícení nebo explozi článků.

מארו הסוללה מכיל כמויות קטנות של ניקל וקדמיום. אין לפרק את מארו הסוללה, להשליך אותו לאש או למים או לנקר אותו. יש לטפל את מארו הסוללה כנדרש על ידי התקנות והחוקים המקומיים. יש להשתמש רק בסוללה המופיעה ברשימת החלקים המתאימה בזמן החלפת מארו הסוללה. שימוש בסוללה לא מתאימה עלול לגרום להצתה או התפוצצות של הסוללה.

La batteria contiene piccole quantità di nichel. Non smontarla, gettarla nel fuoco o nell'acqua né cortocircuitarla. Smaltirla secondo la normativa in vigore (DPR 915/82, successive disposizioni e disposizioni locali). Quando si sostituisce la batteria, utilizzare soltanto i tipi inseriti nell'appropriato Catalogo parti. L'impiego di una batteria non adatta potrebbe determinare l'incendio o l'esplosione della batteria stessa.

バッテリー・パックには少量のニッケルが含まれています。バッテリー・パックを分解したり、火または水の中に投げ込んだり、ショートさせないでください。バッテリー・パックの廃棄にあたっては、地方自治体の条例または規則に従ってください。バッテリー・パックを交換するときは、適切なパーツ・リストにあるバッテリーだけを使用してください。誤ったバッテリーを使用すると、バッテリーが発火したり、爆発したりすることがあります。

Las baterías contienen pequeñas cantidades de níquel. No las desmonte, ni recargue, ni las eche al fuego o al agua ni las cortocircuite. Deséchelas tal como dispone la normativa local. Utilice sólo baterías que se encuentren en la lista de piezas al sustituir la batería. La utilización de una batería no apropiada puede provocar la ignición o explosión de la misma.

Safety notice 4

⚠ DANGER

The lithium battery can cause a fire, an explosion, or a severe burn. Do not recharge it, remove its polarized connector, disassemble it, heat it above 100°C (212°F), incinerate it, or expose its cell contents to water. Dispose of the battery as required by local ordinances or regulations. Use only the battery in the appropriate parts listing. Use of an incorrect battery can result in ignition or explosion of the battery.

La pile de sauvegarde contient du lithium. Elle présente des risques d'incendie, d'explosion ou de brûlures graves. Ne la rechargez pas, ne retirez pas son connecteur polarisé et ne la démontez pas. Ne l'exposez pas à une température supérieure à 100°C, ne la faites pas brûler et n'en exposez pas le contenu à l'eau. Mettez la pile au rebut conformément à la réglementation en vigueur. Une pile inappropriée risque de prendre feu ou d'exploser.

Die Systematterie ist eine Lithiumatterie. Sie kann sich entzünden, explodieren oder schwere Verbrennungen hervorrufen. Batterien dieses Typs dürfen nicht aufgeladen, zerlegt, über 100 C erhitzt oder verbrannt werden. Auch darf ihr Inhalt nicht mit Wasser in Verbindung gebracht oder der zur richtigen Polung angebrachte Verbindungsstecker entfernt werden. Bei der Entsorgung die örtlichen Bestimmungen für Sondermüll beachten. Beim Ersetzen der Batterie nur Batterien des Typs verwenden, der in der Ersatzteilliste aufgeführt ist. Der Einsatz falscher Batterien kann zu Entzündung oder Explosion führen.

סוללת הליתיום עלולה לגרום לשריפה, להתפוצצות או לכוויות קשות. אין לטעון אותה מחדש, לטלוק את המחבר המקוטב שלה, לפרק אותה או לחמם אותה לטמפרטורה העולה על 100 מעלות צלזיוס. אין לשרוף את הסוללה ואין לחשוף את תוכן התא למים. יש לטלוק את הסוללה בנדרש בתקנות ובחוקים המקומיים. יש להשתמש רק בסוללה המומינה ברשימת החלקים המתאימים. שימוש בסוללה אחרת עלול לגרום לשכנת שריפה או התפוצצות.

La batteria di supporto e una batteria al litio e puo incendiarsi, esplodere o procurare gravi ustioni. Evitare di ricaricarla, smontarne il connettore polarizzato, smontarla, riscaldarla ad una temperatura superiore ai 100 gradi centigradi, incendiarla o gettarla in acqua. Smaltirla secondo la normativa in vigore (DPR 915/82, successive disposizioni e disposizioni locali). L'impiego di una batteria non adatta potrebbe determinare l'incendio o l'esplosione della batteria stessa.

リチウム・バッテリーは、火災、爆発、または重症のやけどを引き起こすことがあります。バックアップ・バッテリーの充電、その極性コネクタの取り外し、バッテリー本体の分解、100°C (212°F) 以上への加熱、焼却、電池の中身を水に浸すことはしないでください。バッテリーを廃棄する場合は地方自治体の条例に従ってください。適切なパーツ・リストにあるバッテリーだけを使用してください。誤ったバッテリーを使用すると、バッテリーが発火したり、爆発したりすることがあります。

La batería de repuesto es una batería de litio y puede provocar incendios, explosiones o quemaduras graves. No la recargue, ni quite el conector polarizado, ni la desmonte, ni caliente por encima de los 100°C (212°F), ni la incinere ni exponga el contenido de sus celdas al agua. Deséchela tal como dispone la normativa local.

Safety notice 5

If the LCD breaks and the fluid from inside the LCD gets into your eyes or on your hands, immediately wash the affected areas with water at least for 15 minutes. Seek medical care if any symptoms caused by the fluid are present after washing.

Si le panneau d'affichage à cristaux liquides se brise et que vous recevez dans les yeux ou sur les mains une partie du fluide, rincez-les abondamment pendant au moins quinze minutes. Consultez un médecin si des symptômes persistent après le lavage.

Die Leuchtstoffröhre im LCD-Bildschirm enthält Quecksilber. Bei der Entsorgung die örtlichen Bestimmungen für Sondermüll beachten. Der LCD-Bildschirm besteht aus Glas und kann zerbrechen, wenn er unsachgemäß behandelt wird oder der Computer auf den Boden fällt. Wenn der Bildschirm beschädigt ist und die darin befindliche Flüssigkeit in Kontakt mit Haut und Augen gerät, sollten die betroffenen Stellen mindestens 15 Minuten mit Wasser abgespült und bei Beschwerden anschließend ein Arzt aufgesucht werden.

אם מסך הנביש הנוזלי (LCD) נשבר והנוזל מתוך המסך בא במגע עם עיניים או ידיים, שטפו את האזורים הנוגעים מיד במים במשך 15 דקות לפחות. פנו לקבלת עזרה רפואית אם תסמינים הנובעים מהמגע עם הנוזל נמשכים לאחר השטיפה.

Nel caso che caso l'LCD si dovesse rompere ed il liquido in esso contenuto entrasse in contatto con gli occhi o le mani, lavare immediatamente le parti interessate con acqua corrente per almeno 15 minuti; poi consultare un medico se i sintomi dovessero permanere.

LCD が破損し、LCD 中の液体が目に入ったり、手に触れたりした場合は、液体が触れた部分を少なくとも 15 分間洗い流してください。洗い流した後に、液体によって何らかの症状が現れた場合は、医師の治療を受けてください。

Si la LCD se rompe y el fluido de su interior entra en contacto con sus ojos o sus manos, lave inmediatamente las áreas afectadas con agua durante 15 minutos como mínimo. Obtenga atención médica si se presenta algún síntoma del fluido despues de lavarse.

Safety notice 6

⚠ DANGER

To avoid shock, do not remove the plastic cover that protects the lower part of the inverter card.

Afin d'éviter tout risque de choc électrique, ne retirez pas le cache en plastique protégeant la partie inférieure de la carte d'alimentation.

Aus Sicherheitsgründen die Kunststoffabdeckung, die den unteren Teil der Spannungswandlerplatine umgibt, nicht entfernen.

כדי למנוע התחשמלות, אין להסיר את מכסה הפלסטיק המגן על חלקו התחתון של הכרטיס התחנות.

Per evitare scosse elettriche, non rimuovere la copertura in plastica che avvolge la parte inferiore della scheda invertitore.

感電を防ぐため、インバーター・カードの下部を保護しているプラスチック・カバーを外さないでください。

Para evitar descargas, no quite la cubierta de plástico que rodea la parte baja de la tarjeta invertida.

Safety notice 7

⚠ DANGER

Though the main batteries have low voltage, a shorted or grounded battery can produce enough current to burn personnel or combustible materials.

Bien que le voltage des batteries principales soit peu élevé, le court-circuit ou la mise à la masse d'une batterie peut produire suffisamment de courant pour brûler des matériaux combustibles ou causer des brûlures corporelles graves.

Obwohl Hauptbatterien eine niedrige Spannung haben, können sie doch bei Kurzschluß oder Erdung genug Strom abgeben, um brennbare Materialien zu entzünden oder Verletzungen bei Personen hervorzurufen.

אף שהסוללות הראשיות הן בעלות מתח נמוך, סוללה מקוצרת או מוארזת עלולה להפיק זרם מספיק לגרימת כוויות או להצתת חומרים דליקים.

Sebbene le batterie di alimentazione siano a basso voltaggio, una batteria in corto circuito o a massa può fornire corrente sufficiente da bruciare materiali combustibili o provocare ustioni ai tecnici di manutenzione.

メイン・バッテリーの電圧は低くても、ショートしたり、接地したバッテリーが、作業者にやけどを負わせたり、可燃物を燃やすだけの電流を発生させる場合があります。

Aunque las baterías principales tienen un voltaje bajo, una batería cortocircuitada o con contacto a tierra puede producir la corriente suficiente como para quemar material combustible o provocar quemaduras en el personal.

Safety notice 8**⚠ DANGER**

Before removing any FRU, turn off the computer, unplug all power cords from electrical outlets, remove the battery pack, and then disconnect any interconnecting cables.

Avant de retirer une unité remplaçable en clientèle, mettez le système hors tension, débranchez tous les cordons d'alimentation des socles de prise de courant, retirez la batterie et déconnectez tous les cordons d'interface.

Die Stromzufuhr muß abgeschaltet, alle Stromkabel aus der Steckdose gezogen, der Akku entfernt und alle Verbindungskabel abgenommen sein, bevor eine FRU entfernt wird.

לפני סילוק FRU כלשהו, יש לכבות את המחשב, לנתק את כל כבלי החשמל משקעי החשמל, להוציא את מטריז הסוללה, ואז לנתק כבלי חיבור אחרים אם יש כאלה.

Prima di rimuovere qualsiasi FRU, spegnere il sistema, scollegare dalle prese elettriche tutti i cavi di alimentazione, rimuovere la batteria e poi scollegare i cavi di interconnessione.

FRU を取り外す前に、**ThinkPad** の電源を切って、すべての電源コードをコンセントから外してください。次に、バッテリー・パックを外し、相互接続ケーブルを外してください。

Antes de quitar una FRU, apague el sistema, desenchufe todos los cables de las tomas de corriente eléctrica, quite la batería y, a continuación, desconecte cualquier cable de conexión entre dispositivos.

Laser compliance statement

Some models of Lenovo IdeaPad computer are equipped from the factory with an optical storage device such as a CD-ROM drive or a DVD-ROM drive. Such devices are also sold separately as options. If one of these drives is installed, it is certified in the U.S. to conform to the requirements of the Department of Health and Human Services 21 Code of Federal Regulations (DHHS 21 CFR) Subchapter J for Class 1 laser products. Elsewhere, the drive is certified to conform to the requirements of the International Electrotechnical Commission (IEC) 825 and CENELEC EN 60 825 for Class 1 laser products.

If a CD-ROM drive, a DVD-ROM drive, or another laser device is installed, note the following:

CAUTION

Use of controls or adjustments or performance of procedures other than those specified herein might result in hazardous radiation exposure.

O uso de controles, ajustes ou desempenho de procedimentos diferentes daqueles aqui especificados pode resultar em perigosa exposição à radiação.

凡未在这里指明的任何控制用法、调整、行为，都会导致严重后果。

Pour éviter tout risque d'exposition au rayon laser, respectez les consignes de réglage et d'utilisation des commandes, ainsi que les procédures décrites.

Werden Steuer- und Einstellelemente anders als hier festgesetzt verwendet, kann gefährliche Laserstrahlung auftreten.

Az itt előírt eljárásoktól, beállításoktól és vezérlésektől eltérni a lézersugárzás veszélye miatt kockázatos!

L'utilizzo di controlli, regolazioni o l'esecuzione di procedure diverse da quelle specificate possono provocare l'esposizione a.

Использование элементов настройки и выполнение процедур иных, чем указано здесь, может привести к опасному радиационному облучению.

Použitie kontrol, úprav alebo iných vykonaní od iných výrobcov, ako je v tomto špecifikované, mohlo by mať za následok nebezpečenstvo vystavenia sa vyžiarovaniu.

本書で指定された内容以外の、お客様による整備、調整、または手順を行った場合、レーザー光の放射の危険があります。

El uso de controles o ajustes o la ejecución de procedimientos distintos de los aquí especificados puede provocar la exposición a radiaciones peligrosas.

Opening the CD-ROM drive, the DVD-ROM drive, or any other optical storage device could result in exposure to hazardous laser radiation. There are no serviceable parts inside those drives. **Do not open.**

A CD-ROM drive, a DVD-ROM drive, or any other storage device installed may contain an embedded Class 3A or Class 3B laser diode. Note the following:

⚠ DANGER

Emits visible and invisible laser radiation when open. Do not stare into the beam, do not view directly with optical instruments, and avoid direct exposure to the beam.

Radiação por raio laser ao abrir. Não olhe fixo no feixe de luz, não olhe diretamente por meio de instrumentos óticos e evite exposição direta com o feixe de luz.

开启时会有激光发射时，请勿盯视激光光束，请勿直接查看视觉仪器，并且避免直接接触在激光光束之中。

Rayonnement laser si carter ouvert. Évitez de fixer le faisceau, de le regarder directement avec des instruments optiques, ou de vous exposer au rayon.

Laserstrahlung bei geöffnetem Gerät. Nicht direkt oder über optische Instrumente in den Laserstrahl sehen und den Strahlungsbereich meiden.

Kinyitáskor lézersugár ! Ne nézzen bele se szabad szemmel, se optikai eszközökkel. Kerülje a sugárnyalábbal való érintkezést!

Aperto l'unità vengono emesse radiazioni laser. Non fissare il fascio, non guardarlo direttamente con strumenti ottici e evitare l'esposizione diretta al fascio.

Открывая, берегитесь лазерного излучения. Не смотрите на луч, не разглядывайте его с помощью оптических инструментов, а также избегайте прямого воздействия лазерного луча.

Keď je laserová jednotka otvorená. Vyhňte sa priamemu pohľadu a neľhajte priamo s optickými nástrojmi do lúča a vyhňte sa priamemu vystaveniu lúčov.

開けるとレーザー光が放射されます。光線を見つめたり、光学機械を使って直接見たりしないでください。

Radiación láser al abrir. No mire fijamente ni examine con instrumental óptico el haz de luz. Evite la exposición directa al haz.

Important service information

This chapter presents the following important service information:

- “Strategy for replacing FRUs” on page 16
 - “Strategy for replacing a hard disk drive” on page 17
 - “Important notice for replacing a system board ” on page 17
- “Important information about replacing RoHS compliant FRUs” on page 18

Important:

BIOS and device driver fixes are customer-installable. The BIOS and device drivers are posted on the customer support site:

<http://consumersupport.lenovo.com/>.

Strategy for replacing FRUs

Before replacing parts:

Make sure that all software fixes, drivers, and BIOS downloads are installed before replacing any FRUs listed in this manual.

After a system board is replaced, ensure that the latest BIOS is loaded to the system board before completing the service action.

To download software fixes, drivers, and BIOS, follow the steps below:

1. Go to <http://consumersupport.lenovo.com/>.
2. Enter a serial number or select a product or use Lenovo smart downloading.
3. Select the BIOS/Driver/Applications and download.
4. Follow the directions on the screen and install the necessary software.

Use the following strategy to prevent unnecessary expense for replacing and servicing FRUs:

- If you are instructed to replace an FRU, but the replacement does not solve the problem, reinstall the original FRU before you continue.
- Some computers have both a processor board and a system board. If you are instructed to replace either of them, and replacing one of them does not solve the problem, reinstall that board, and then replace the other one.
- If an adapter or a device consists of more than one FRU, any of the FRUs may be the cause of the error. Before replacing the adapter or device, remove the FRUs one by one to see if the symptoms change. Replace only the FRU that changed the symptoms.

Attention: The setup configuration on the computer you are servicing may have been customized. Running Automatic Configuration may alter the settings. Note the current configuration settings (using the View Configuration option); then, when service has been completed, verify that those settings remain in effect.

Strategy for replacing a hard disk drive

Always try to run a low-level format before replacing a hard disk drive. This will cause all customer data on the hard disk to be lost. Make sure that the customer has a current backup of the data before performing this action.

Attention: The drive startup sequence in the computer you are servicing may have been changed. Be extremely careful during write operations such as copying, saving, or formatting. If you select an incorrect drive, data or programs can be overwritten.

Important notice for replacing a system board

Some components mounted on a system board are very sensitive. Improper handling can cause damage to those components, and may cause a system malfunction.

Attention: When handling a system board:

- Do not drop the system board or apply any excessive force to it.
- Avoid rough handling of any kind.
- Avoid bending the system board and hard pushing to prevent cracking at each BGA (Ball Grid Array) chipset.

Important information about replacing RoHS compliant FRUs

RoHS, The Restriction of Hazardous Substances in Electrical and Electronic Equipment Directive (2002/95/EC) is a European Union legal requirement affecting the global electronics industry. RoHS requirements must be implemented on Lenovo products placed on the market after June 2006. Products on the market before June 2006 are not required to have RoHS compliant parts. If the original FRU parts are non-compliant, replacement parts can also be non-compliant. In all cases if the original FRU parts are RoHS compliant, the replacement part must also be RoHS compliant.

Note: RoHS and non-RoHS FRU part numbers with the same fit and function are identified with unique FRU part numbers.

Lenovo plans to transit to RoHS compliance well before the implementation date and expects its suppliers to be ready to support Lenovo's requirements and schedule in the EU. Products sold in 2005 and 2006 will contain some RoHS compliant FRUs. The following statement pertains to these products and any product Lenovo produces containing RoHS compliant FRUs.

RoHS compliant FRUs have unique FRU part numbers. Before or after the RoHS implementation date, failed RoHS compliant parts must always be replaced with RoHS compliant ones, so only the FRUs identified as compliant in the system HMM or direct substitutions for those FRUs may be used.

Products marketed before June 2006		Products marketed after June 2006	
Current or original part	Replacement FRU	Current or original part	Replacement FRU
Non-RoHS	Can be Non-RoHS	Must be RoHS	Must be RoHS
Non-RoHS	Can be RoHS		
Non-RoHS	Can sub to RoHS		
RoHS	Must be RoHS		

Note: A direct substitution is a part with a different FRU part number that is automatically shipped by the distribution center at the time of the order.

General checkout

This chapter presents the following information:

- “What to do first” on page 20
- “Power system checkout” on page 21

Before you go to the checkout, make sure to read the following important notes:

Important notes:

- **Only certified trained personnel can service the computer.**
- **Before replacing any FRU, read the entire page on removing and replacing FRUs.**
- **When you replace FRUs, use new nylon-coated screws.**
- **Be extremely careful during such write operations as copying, saving, or formatting.** Drives in the computer that you are servicing sequence might have been altered. If you select an incorrect drive, data or programs might be overwritten.
- **Replace an FRU only with another FRU of the correct model.** When you replace an FRU, make sure that the machine model and the FRU part number are correct by referring to the FRU parts list.
- **An FRU should not be replaced just because of a single, unreproducible failure.** Single failures can occur for a variety of reasons that have nothing to do with a hardware defect, such as cosmic radiation, electrostatic discharge, or software errors. Consider replacing an FRU only when a problem recurs. If you suspect that an FRU is defective, clear the error logs and run the test again. If the error does not recur, do not replace the FRU.
- **Be careful not to replace a nondefective FRU.**

What to do first

When you do return an FRU, you must include the following information in the parts exchange form or parts return form that you attach to it:

1. Name and phone number of servicer
2. Date of service
3. Date on which the machine failed
4. Date of purchase
5. Procedure index and page number in which the failing FRU was detected
6. Failing FRU name and part number
7. Machine type, model number, and serial number
8. Customer's name and address

Note for warranty: During the warranty period, the customer may be responsible for repair costs if the computer damage was caused by misuse, accident, modification, unsuitable physical or operating environment, or improper maintenance by the customer.

The following is a list of some common items that are not covered under warranty and some symptoms that might indicate that the system was subjected to stress beyond normal use.

Before checking problems with the computer, determine whether the damage is covered under the warranty by referring to the following list:

The following are not covered under warranty:

- LCD panel cracked from the application of excessive force or from being dropped
- Scratched (cosmetic) parts
- Distortion, deformation, or discoloration of the cosmetic parts
- Plastic parts, latches, pins, or connectors that have been cracked or broken by excessive force
- Damage caused by liquid spilled into the system
- Damage caused by the improper insertion of a PC Card or the installation of an incompatible card
- Improper disc insertion or use of an optical drive
- Diskette drive damage caused by pressure on the diskette drive cover, foreign material in the drive, or the insertion of a diskette with multiple labels
- Damaged or bent diskette eject button
- Fuses blown by attachment of a nonsupported device
- Forgotten computer password (making the computer unusable)
- Sticky keys caused by spilling a liquid onto the keyboard
- Use of an incorrect AC adapter on laptop products

The following symptoms might indicate damage caused by nonwarranted activities:

- Missing parts might be a symptom of unauthorized service or modification.
- If the spindle of a hard disk drive becomes noisy, it may have been subjected to excessive force, or dropped.

Power system checkout

To verify a symptom, follow the steps below:

1. Turn off the computer.
2. Remove the battery pack.
3. Connect the AC adapter.
4. Make sure that power is supplied when you turn on the computer.
5. Turn off the computer.
6. Disconnect the AC adapter and install the charged battery pack.
7. Make sure that the battery pack supplies power when you turn on the computer.

If you suspect a power problem, see the appropriate one of the following power supply checkouts:

- “Checking the AC adapter ” on page 21
- “Checking operational charging” on page 21
- “Checking the battery pack ” on page 22

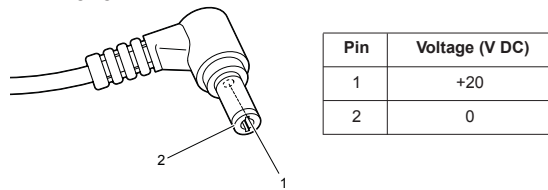
Checking the AC adapter

You are here because the computer fails only when the AC adapter is used.

- If the power-on indicator does not turn on, check the power cord of the AC adapter for correct continuity and installation.
- If the computer does not charge during operation, go to “Checking operational charging”.

To check the AC adapter, follow the steps below:

1. Unplug the AC adapter cable from the computer.
2. Measure the output voltage at the plug of the AC adapter cable. See the following figure:



Note: Output voltage for the AC adapter pin No. 2 may differ from the one you are servicing.

3. If the voltage is not correct, replace the AC adapter.
4. If the voltage is acceptable, do the following:
 - Replace the system board.
 - If the problem continues, go to “Lenovo IdeaPad Y560” on page 27.

Note: Noise from the AC adapter does not always indicate a defect.

Checking operational charging

To check whether the battery charges properly during operation, use a discharged battery pack or a battery pack that has less than 50% of the total power remaining when installed in the computer.

Perform operational charging. If the battery status indicator or icon does not light on, remove the battery pack and let it return to room temperature. Reinstall the battery pack. If the charge indicator or icon is still off, replace the battery pack.

If the charge indicator still does not light on, replace the system board. Then reinstall the battery pack. If it is still not charged, go to the next section.

Checking the battery pack

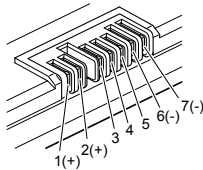
Battery charging does not start until the Power Meter shows that less than 95% of the total power remains; under this condition the battery pack can charge to 100% of its capacity. This protects the battery pack from being overcharged or from having a shortened life.

To check your battery, move your cursor to the Power Meter icon in the icon tray of the Windows® taskbar and wait for a moment (but do not click it), and the percentage of battery power remaining is displayed. To get detailed information about the battery, double-click the Power Meter icon.

Note: If the battery pack becomes hot, it may not be able to be charged. Remove it from the computer and leave it at room temperature for a while. After it cools down, reinstall and recharge it.

To check the battery pack, follow the steps below:

1. Turn off the computer.
2. Remove the battery pack and measure the voltage between battery terminals 1 (+) and 7 (-). See the following figure:



Terminal	Voltage (V DC)
1	+0 to +14
7	Ground (-)

3. If the voltage is less than +11.0 V DC, the battery pack has been discharged.

Note: Recharging will be continued for at least 3 hours, even though the indicator does not light on.

If the voltage is still less than +11.0 V DC after recharging, replace the battery.

4. If the voltage is more than +11.0 V DC, measure the resistance between battery terminals 5 and 7. The resistance must be 4 to 30 K Ω .

If the resistance is not correct, replace the battery pack. If the resistance is correct, replace the system board.

Related service information

This chapter presents the following information:

- “Restoring the factory contents by using OneKey Recovery” on page 23
- “Passwords” on page 24
- “Power management” on page 25

Restoring the factory contents by using OneKey Recovery

Restore of factory default

The IdeaPad Y560 computers come with pre-installed OneKey Rescue System. In order to save application files and the initial backed up files of the system, the hard disk in a Lenovo computer includes a hidden partition when it is shipped. If you need to restore the system to the point of your first boot up, just enter Lenovo OneKey Rescue System and run **Restore to factory default**. For details of OneKey Rescue System, see *the User Guide for OneKey Rescue System*.

Note: This will delete all the new data on the system partition (C drive), which is not recoverable. Make sure to back up your critical data before you perform this action.

Using recovery discs

When you replace a hard disk drive in your computer, you are unable to use the pre-installed Lenovo OneKey Recovery and OneKey Rescue. However, you can use the recovery discs that store your backed up data to restore your new hard drive to a previous backup status.

Note: You can create recovery discs by burning the backup image to a CD/DVD as recovery discs. For details of **Create recovery discs**, see *the User Guide for OneKey Rescue System*.

When you use the recovery discs to boot your computer, the system will enter the user interface for system recovery automatically. Please follow the prompt to insert the backup discs to complete the whole recovery process.

Note: The recovery process might take up to 2 hours.

Passwords

As many as two passwords may be needed for any Lenovo IdeaPad computer: the power-on password (POP) and the supervisor password (SVP).

If any of these passwords has been set, a prompt for it appears on the screen whenever the computer is turned on. The computer does not start until the password is entered.

Exception: If only an SVP is installed, the password prompt does not appear when the operating system is booted.

Power-on password

A power-on password (POP) protects the system from being powered on by an unauthorized person. The password must be entered before an operating system can be booted.

Supervisor password

A supervisor password (SVP) protects the system information stored in the BIOS Setup Utility. The user must enter the SVP in order to get access to the BIOS Setup Utility and change the system configuration.

Attention: If the SVP has been forgotten and cannot be made available to the servicer, there is no service procedure to reset the password. The system board must be replaced for a scheduled fee.

Power management

Note: Power management modes are not supported for APM operating system.

To reduce power consumption, the computer has three power management modes: screen blank, sleep (standby), and hibernation.

Screen blank mode

If the time set on the "Turn off monitor" timer in the operating system expires, the LCD backlight turns off. You can also turn off the LCD backlight by pressing Fn+F2.

To end screen blank mode and resume normal operation, press any key.

Sleep (standby) mode

When the computer enters sleep (standby) mode, the following events occur in addition to what occurs in screen blank mode:

- The LCD is powered off.
- The hard disk drive is powered off.
- The CPU stops.

To enter sleep (standby) mode, press Fn+F1.

In certain circumstances, the computer goes into sleep (standby) mode automatically:

- If a "suspend time" has been set on the timer, and the user does not do any operation with the keyboard, the hard disk, the parallel connector, or the diskette drive within that time.
- If the battery indicator is amber, indicating that the battery power is low. (Alternatively, if **Hibernate when battery becomes low** has been selected in the "Power Management Properties" window, the computer goes into hibernation mode.)

To cause the computer to return from sleep (standby) mode and resume the operation, do one of the following:

- Press the Fn key.
- Open the lid.
- Turn on the power switch.

Also, in the following event, the computer automatically returns from sleep (standby) mode and resumes the operation:

- The time set on the resume timer elapses.

Note: The computer does not accept any input immediately after it enters sleep (standby) mode. Wait a few seconds before taking any action to reenter operation mode.

Hibernation mode

In hibernation mode, the following occurs:

- The system status, RAM, VRAM, and setup data are stored on the hard disk.
- The system is powered off.

To cause the computer to enter hibernation mode, follow the steps below:

- If you are using the ACPI operating system and have defined one of the following actions as the event that causes the system to go into hibernation mode, perform that action:
 - Closing the lid.
 - Pressing the power button.

Also, the computer goes into hibernation mode automatically in either of the following conditions:

- If a “hibernation time” has been set on the timer, and if the user does not do any operation with the keyboard, the hard disk drive, the parallel connector, or the diskette drive within that time.
- If the timer conditions are satisfied in suspend mode.

When the power is turned on, the computer returns from hibernation mode and resumes operation. The hibernation file in the boot record on the hard disk drive is read, and system status is restored from the hard disk drive.

Lenovo IdeaPad Y560

This chapter presents the following product-specific service references and product-specific parts information:

- “Specifications” on page 27
- “Status indicators” on page 30
- “Fn key combinations” on page 32
- “FRU replacement notices” on page 33
- “Removing and replacing an FRU” on page 34
- “Locations” on page 80
- “Parts list” on page 82

Specifications

The following table lists the specifications of the Lenovo IdeaPad Y560 :

Table 7. Specifications

Feature	Description
Processor	<ul style="list-style-type: none"> • Intel® Core™ i7, Quad Core Performance, Clarkfield, 45nm (Calpella) • Intel® Core™ i7/i5/i3, Power Optimized Performance, Arrandale, 32nm (Calpella) Support latest Intel standard voltage mobile processors
Core Chipset	<ul style="list-style-type: none"> • Intel HM55 (Calpella)
Bus architecture	<ul style="list-style-type: none"> • DDR3: 800, 1066MT/s for Auburndale • DDR3: 800, 1066, 1333MT/s for Clarkfield • DMI X4, 2.5Gb/s • FDI 8 lanes (2channels), 2.7Gt/s • PCI Express
Graphic memory chip	<ul style="list-style-type: none"> • AMD Madison XT (DDR3 1G/128bit) • Support Intel-AMD switchable graphics, with ME click switch design (Arrandale only)
Display	<ul style="list-style-type: none"> • 15.6-Inch, 16M colors, HD(1366 × 768 Resolution), 16:9, WLED type, TFT color LCD
Standard memory	<ul style="list-style-type: none"> • 1 x 2GB (DDR3) • 2 x 2GB (DDR3) • 1 x 4GB (DDR3) • 2 x 4GB (DDR3)
CMOS RAM	<ul style="list-style-type: none"> • 256 bytes
Hard disk drive	<ul style="list-style-type: none"> • 250GB, 5400rpm, 9.5 mm high, SATA interface • 320GB, 5400rpm, 9.5 mm high, SATA interface • 500GB, 5400rpm, 9.5 mm high, SATA interface • 320GB, 7200rpm, 9.5 mm high, SATA interface • 500GB, 7200rpm, 9.5 mm high, SATA interface Supported hard disk drives depend on the model.
Optical drive	<ul style="list-style-type: none"> • 9.5mm SATA, Fixed Bay, tray-in • DVD Rambo • Blue Ray Combo

Table 7. Specifications (continued)

Feature	Description
I/O port	<ul style="list-style-type: none"> • External monitor connector • Stereo headphone jack • Microphone jack • RJ45 x 1 (on planar) • HDMI port • CIR port (for remote controller) • USB2.0 x 3 (on planar) • E-SATA + USB combo x 1 (on planar) • Express Card slot • 6-in-1 media card reader
MODEM slot	<ul style="list-style-type: none"> • N/A
Audio	<ul style="list-style-type: none"> • 1/8" Stereo Headphone Output Jack/ SPIDIF • 1/8" Microphone Input Jack • Built-in stereo speakers
Video	<ul style="list-style-type: none"> • CRT port x 1 (on planar), HDMI port x 1 (on planar)
Ethernet (on the system board)	<ul style="list-style-type: none"> • 10/100M Ethernet
PCI Express Mini Card	<ul style="list-style-type: none"> • Wi-Fi/ WiMax card x 1 • TV card x 1 • WWAN card x 1(share with SSD slot)
ExpressCard slot	<ul style="list-style-type: none"> • 34mm width x 1
WLAN	<ul style="list-style-type: none"> • 802.16e Wimax <ul style="list-style-type: none"> - Intel Kilmer Peak HMC (2x2), US certification only • 802.11 a/b/g/n WIFI <ul style="list-style-type: none"> - Intel AGN Puma Peak HMC (2x2) - Intel BGN Condor Peak HMC (1x2) - Non-Intel BGN HMC
WWAN	<ul style="list-style-type: none"> • Tech ready, selected model
Bluetooth wireless	<ul style="list-style-type: none"> • BCM92070 BT2.1 EDR, selected model
SSD	<ul style="list-style-type: none"> • 32G, share with WWAN slot, selected model
TV	<ul style="list-style-type: none"> • Digital/analog, mini-PCIE, worldwide support • With compliant cable/antenna solution • Selected model
Slidebar	<ul style="list-style-type: none"> • Work with Lenovo SlideNav Application • Quick link and launch software
Keyboard	<ul style="list-style-type: none"> • 6 row full size Lenovo standard KB • CapsLK and NumLK LED integrated
Touch pad	<ul style="list-style-type: none"> • Yes with two buttons and 1 LED indicator • Gesture function support, Synaptics
Integrated camera	<ul style="list-style-type: none"> • 1.3 mega slim type with 1 LED indicator
Battery	<ul style="list-style-type: none"> • Li-ion battery (6 cells) 2600mAH

Table 7. Specifications (continued)

Feature	Description
AC adapter	<ul style="list-style-type: none">• 65W (20V) for UMA• 90W/120W (20V) for discrete graphics
Pre-installed operating system	<ul style="list-style-type: none">• Windows 7 (Home Basic/Premium/Professional /Ultimate X86/X64)• Windows XP Home/Pro + SP3 (mini support)• Windows Vista SP2 Mini Support• DOS

Status indicators

The system status indicators below show the computer status:

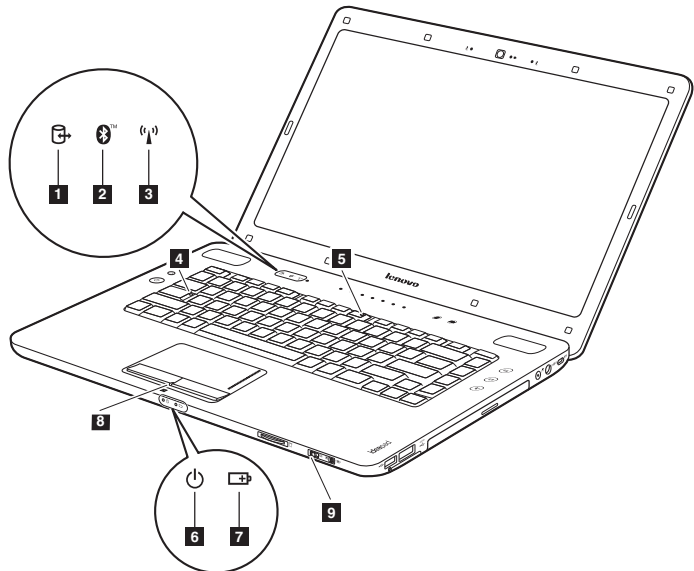


Table 8. Status indicators






Indicator	Meaning
1 Drive in use 	White: Data is being read from or written to the hard disk drive, the solid state drive, or the optical disk drive. When this indicator is on, do not put the computer into standby mode or turn off the computer. Note: Do not move the system while the white drive-in-use light is on. Sudden physical shock could cause drive errors.
2 Bluetooth 	White: The bluetooth is switched on or the bluetooth radio is turned on or the bluetooth radio is turned on and connected to AP. Flashing white: User data is being transferred by bluetooth. Off: The bluetooth is switched off.
3 WLAN 	White: The wireless LAN radio is turned on and connected to AP. Blinking white: The wireless LAN is switched on and the radio of it is also turned off, or the wireless LAN radio is turned on and not connected to AP. Flashing white: The wireless LAN radio is turned on and data is being transmitted. Off: The wireless LAN is switched off and the radio of it is also turned off.

Table 8. Status indicators (continued)

Indicator	Meaning
4 Num lock	White: The numeric keypad on the keyboard is enabled. To enable or disable the keypad, press and hold the Fn key, and press the F8(NumLk) key.
5 Caps lock	White: Caps Lock mode is enabled. You can enter all alphabetic characters (A-Z) in uppercase without pressing the Shift key. To enable or disable Caps Lock mode, press the CapsLk key.
6 Power on 	White: System is enabled. Blinking white: System is in sleep mode. Off: System is in hibernate mode or shut down.
7 Battery status 	Blinking amber: (500ms off/1s on) The remaining power of the battery is less than 5% of its capacity. Blinking amber: (100ms off/3.2s on) The battery is being charged with the remaining power between 5% and 20% of its capacity. Amber: The computer is operating on battery power with the remaining power between 5% and 20% of its capacity. Blinking white: The battery is being charged with the remaining power between 20% and 80% of its capacity. White: The remaining power of the battery is more than 80% of its capacity, or the computer is operating on battery power with the remaining power between 20% and 80% of its capacity.
8 Touchpad	White: The touchpad is disabled. To enable or disable the touchpad, press and hold the Fn key, and press the F6 key.
9 Graphics status (specific models only)	White: The graphics is switched to a dedicated AMD GPU (high-performance GPU). Off: The graphics is switched to an integrated Intel GPU (power-saving GPU). *GPU is short for graphics processing unit.

Fn key combinations

The following table shows the function of each combination of Fn with a function key.

Table 10. Fn key combinations

Key combination	Description
Fn + Esc	Turn on/off the integrated camera.
Fn + F1	Enter sleep mode.
Fn + F2	Turn on/off the backlight for the LCD screen.
Fn + F3	Shift to other connected display devices.
Fn + F4	Open the interface for display resolution settings.
Fn + F5	Open the interface for integrated wireless devices settings (enable/disable).
Fn + F6	Enable/Disable the touchpad.
Fn + F7	Start/Pause playback of Windows Media Player.
Fn + F8	Enable/Disable the numeric keypad.
Fn + F9	Activate the pause function.
Fn + F10	Activate the break function.
Fn + F11	Enable/Disable the Scroll Lock.
Fn + F12	Turn on/off the insert input.
Fn + PrtSc	Activate the system request.
Fn + ↑/↓	Increase/Decrease display brightness.
Fn + ←/→	Decrease/Increase volume level.

FRU replacement notices

This section presents notices related to removing and replacing parts. Read this section carefully before replacing any FRU.

Screw notices

Loose screws can cause a reliability problem. In the Lenovo IdeaPad computer, this problem is addressed with special nylon-coated screws that have the following characteristics:

- They maintain tight connections.
- They do not easily come loose, even with shock or vibration.
- They are harder to tighten.
- Each one should be used only once.

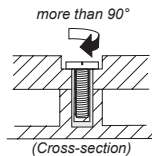
Do the following when you service this machine:

- Keep the screw kit in your tool bag.
- Always use new screws.
- Use a torque screwdriver if you have one.

Tighten screws as follows:

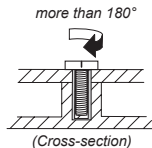
- **Plastic to plastic**

Turn an additional 90° after the screw head touches the surface of the plastic part:



- **Logic card to plastic**

Turn an additional 180° after the screw head touches the surface of the logic card:



- **Torque driver**

If you have a torque screwdriver, refer to the "Torque" column for each step.

- Make sure that you use the correct screws. If you have a torque screwdriver, tighten all screws firmly to the torque shown in the table. **Never use a screw that you removed. Use a new one. Make sure that all screws are tightened firmly.**
- Ensure torque screwdrivers are calibrated correctly following country specifications.

Removing and replacing an FRU

This section presents exploded figures with the instructions to indicate how to remove and replace the FRU. Make sure to observe the following general rules:

1. Do not attempt to service any computer unless you have been trained and certified. An untrained person runs the risk of damaging parts.
2. Before replacing any FRU, review "FRU replacement notices" on page 33.
3. Begin by removing any FRUs that have to be removed before the failing FRU. Any of such FRUs are listed at the top of the page. Remove them in the order in which they are listed.
4. Follow the correct sequence in the steps to remove the FRU, as given in the figures by the numbers in square callouts.
5. When turning a screw to replace an FRU, turn it in the direction as given by the arrow in the figure.
6. When removing the FRU, move it in the direction as given by the arrow in the figure.
7. To put the new FRU in place, reverse the removal procedures and follow any of the notes that pertain to replacement. For information about connecting and arranging internal cables, see "Locations" on page 80.
8. When replacing an FRU, use the correct screw as shown in the procedures.

DANGER

Before removing any FRU, turn off the computer, unplug all power cords from electrical outlets, remove the battery pack, and then disconnect any of the interconnecting cables.

Attention: After replacing an FRU, do not turn on the computer until you have made sure that all screws, springs, and other small parts are in place and none are loose inside the computer. Verify this by shaking the computer gently and listening for rattling sounds. Metallic parts or metal flakes can cause electrical short circuits.

Attention: The system board is sensitive to, and can be damaged by, electrostatic discharge. Before touching it, establish personal grounding by touching a ground point with one hand or using an electrostatic discharge (ESD) strap (P/N 6405959) to remove potential shock reasons.

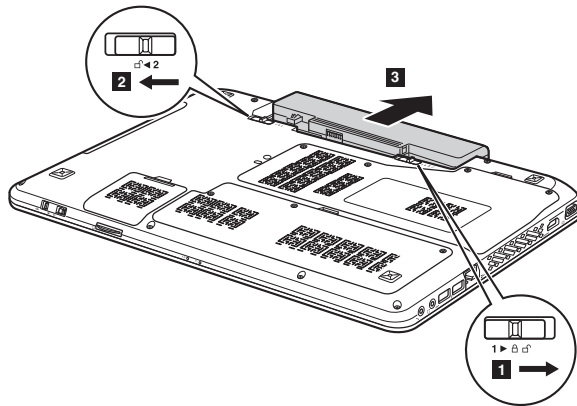
1010 Battery pack

⚠ DANGER

Only use the battery specified in the parts list for your computer. Any other battery could ignite or explode.

Figure 1. Removal steps of battery pack

Unlock the battery release lever **1**. Holding the battery release lever in the unlocked position **2**, remove the battery pack in the direction shown by arrow **3**.



When installing: Install the battery pack along the slide rails of the slot. Then make sure that the battery release lever is in the locked position.

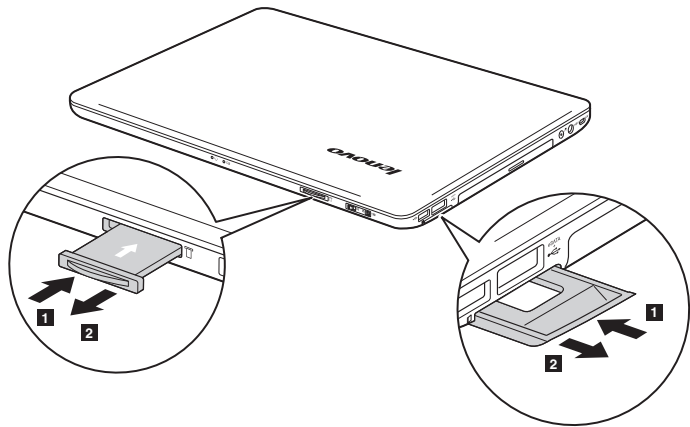
1020 Dummy cards

For access, remove this FRU:

- “1010 Battery pack” on page 35

Figure 2. Removal steps of dummy cards

Remove two dummy cards in the direction shown by arrows **1** **2**.



1030 Hard disk drive (HDD) slot cover and HDD

For access, remove this FRU:

- “1010 Battery pack” on page 35

Attention:

- **Do not drop the hard disk drive or apply any physical shock to it.** The hard disk drive is sensitive to physical shock. Improper handling can cause damages and permanent loss of data.
- Before removing the drive, suggest the customer to backup all the information on it if possible.
- Never remove the drive while the system is operating or is in suspend mode.

Figure 3. Removal steps of HDD slot cover and HDD

Note: Loosen the screws **1**, but do not remove them.

Remove the HDD slot cover in the direction shown by arrow **2**.

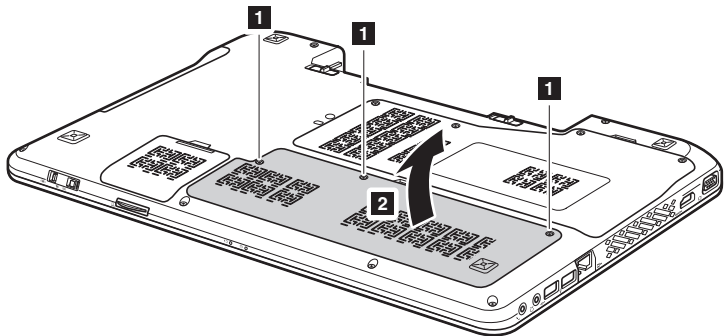
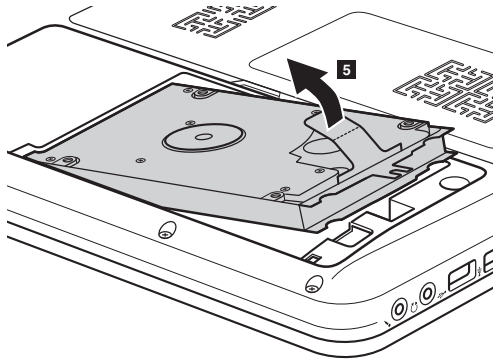
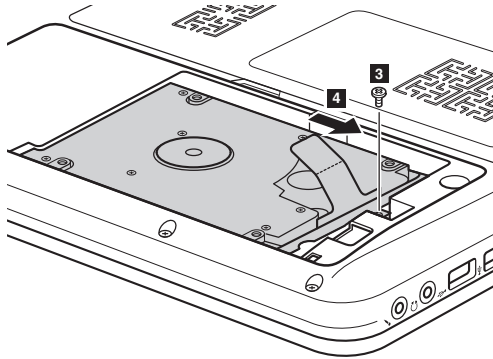


Figure 3. Removal steps of HDD slot cover and HDD (continued)

Remove the screw **3**, pull the tab up in the direction shown by arrows **4** **5** to remove the hard disk drive from the slot.



Step	Screw (quantity)	Color	Torque
3	M2.5 × 4 mm, flat-head, nylok-coated (1)	Black	2.0±0.2 kgfcm

When installing: Make sure that the HDD connector is attached firmly.

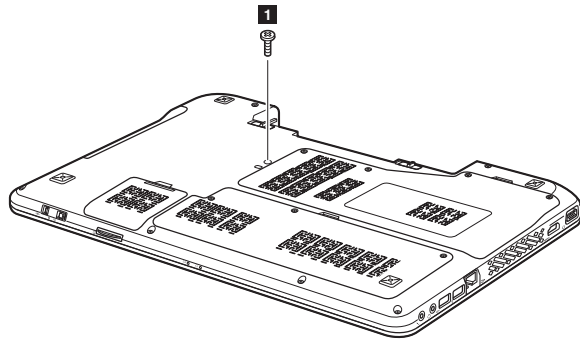
1040 Optical drive

For access, remove this FRU in the order:

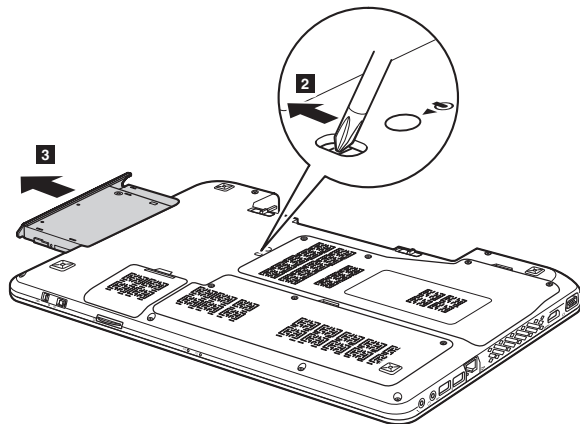
- “1010 Battery pack” on page 35

Figure 4. Removal steps of optical drive

Remove the screw **■**, insert a screwdriver into the hole aside and push the optical drive in the direction shown by arrow **2**, then pull the optical drive out in the direction shown by arrow **3**.



Step	Screw (quantity)	Color	Torque
■	M2.5 × 6.5 mm, flat-head, nylok-coated (1)	Black	2.5±0.2 kgfcm



1050 Thermal slot cover

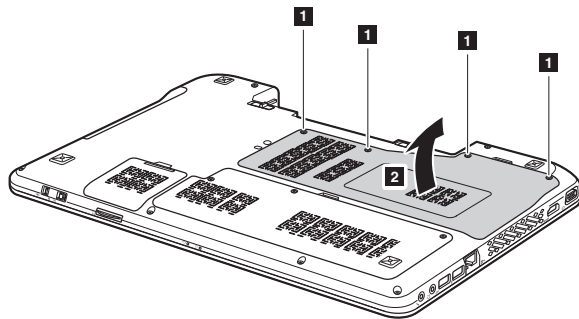
For access, remove this FRU in order:

- “1010 Battery pack” on page 35

Figure 5. Removal steps of thermal slot cover

Note: Loosen the screws **1**, but do not remove them.

Remove the thermal slot cover in the direction shown by arrow **2**.



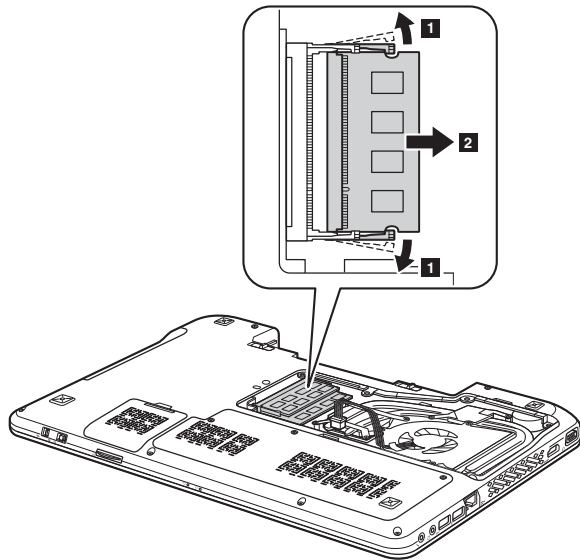
1060 DIMM

For access, remove this FRU in order:

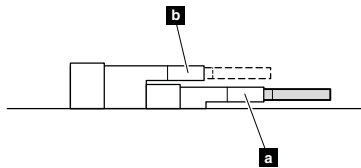
- “1010 Battery pack” on page 35
- “1050 Thermal slot cover” on page 40

Figure 6. Removal steps of DIMM

Release the two latches on both edges of the socket at the same time in the direction shown by arrows **1**, and then unplug the DIMM in the direction shown by arrow **2**.



Note: If only one DIMM is used on the computer you are servicing, the card must be installed in SLOT-0 (**a** : lower slot), but not in SLOT-1 (**b** : upper slot).



When installing: Insert the notched end of the DIMM into the socket. Push the DIMM firmly, and pivot it until it snaps into the place. Make sure that it is firmly fixed in the slot and difficult to be moved.

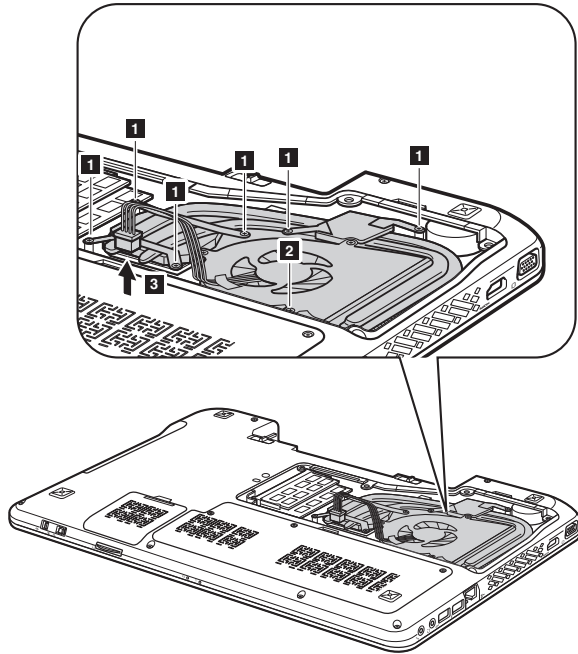
1070 Fan assembly and Heat Sink assembly

For access, remove these FRUs in order:

- “1010 Battery pack” on page 35
- “1050 Thermal slot cover” on page 40

Figure 7. Removal steps of fan assembly and heat sink assembly

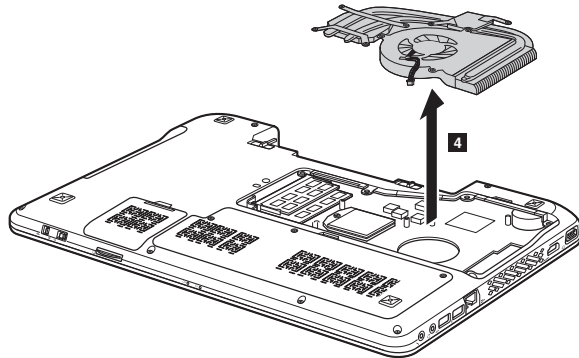
Note: Loosen the screws **1**, **2**, but do not remove them.
Unplug the connector in the direction shown by arrow **3**.



When installing: Make sure that the fan connector is attached firmly to the system board.

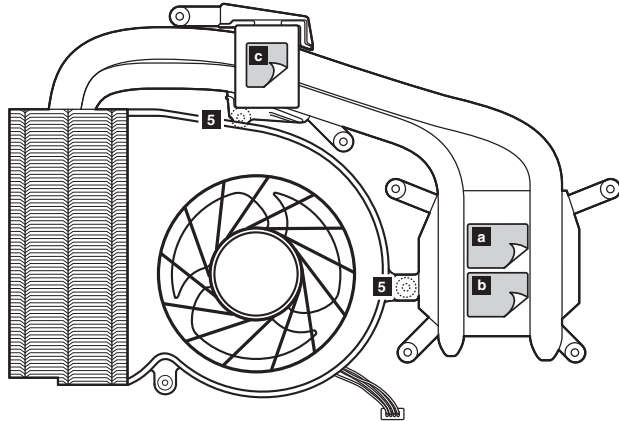
Figure 7. Removal steps of fan assembly and heat sink assembly (continued)

Lift the fan assembly and heat sink assembly in the direction shown by arrow 4. Be careful not to damage the connector.



Attention: Do not handle the heat sink assembly roughly. Improper handling can cause distortion or deformation and imperfect contact with components.

Figure 7. Removal steps of fan assembly and heat sink assembly (continued)
Loosen two screws **5** to detach the fan assembly and the heat sink assembly.



When installing:

- Before you attach the fan assembly to the computer, apply thermal grease, at an amount of 0.2 grams, to the **a b** part shown in the figure above. Either too much or too less grease application can cause a thermal problem due to imperfect contact with a component. In models with the discrete graphics chip, there is an additional thermal rubber **c** whose film to be peeled off.

1080 CPU

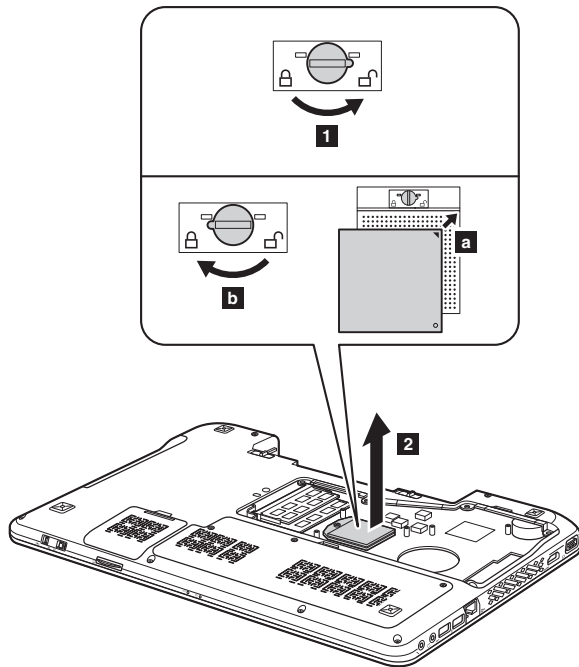
For access, remove these FRUs in order:

- “1010 Battery pack” on page 35
- “1050 Thermal slot cover” on page 40
- “1070 Fan assembly and Heat Sink assembly” on page 42

Attention: CPU is extremely sensitive. When you service the CPU, avoid any kind of rough handling.

Figure 8. Removal steps of CPU

Rotate the head of the screw in the direction shown by arrow **1** to release the lock, then remove the CPU in the direction shown by arrow **2**.



When installing: Place the CPU on the CPU socket in the direction shown by arrow **a**, and then rotate the head of the screw in the direction shown by arrow **b** to secure the CPU.

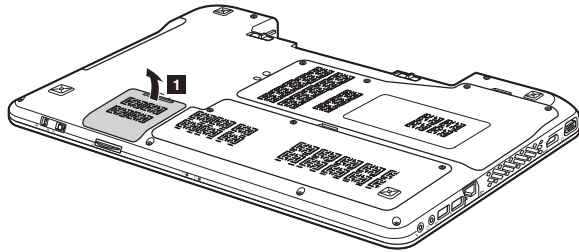
1090 SIM card slot cover

For access, remove this FRU:

- “1010 Battery pack” on page 35

Figure 9. Removal steps of SIM card slot cover

Remove the SIM card slot cover in the direction shown by arrow ■.



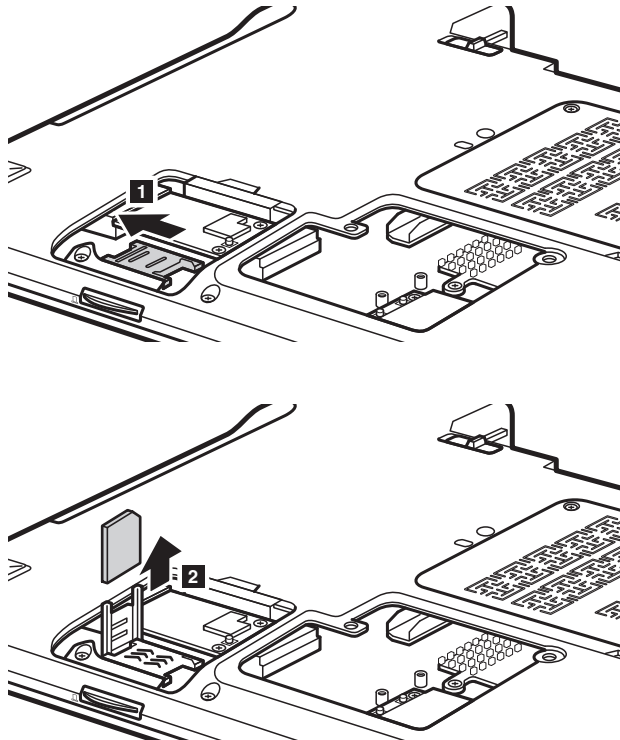
1100 SIM card for Mobile Broadband

For access, remove these FRUs in order:

- “1010 Battery pack” on page 35
- “1090 SIM card slot cover” on page 46

Figure 10. Removal steps of SIM card for Mobile Broadband

Remove the SIM card in the direction shown by arrows **1** **2**.



When installing:

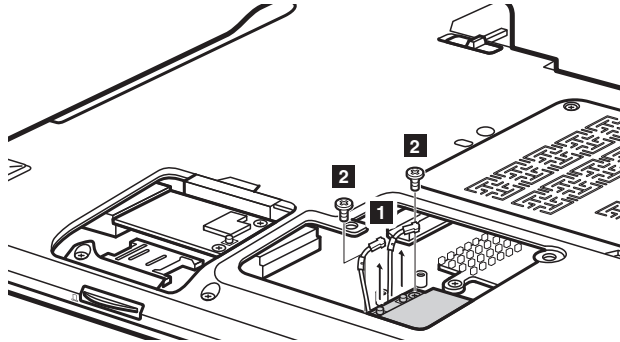
Make sure that the beveled corner on the SIM card is inserted last and that the golden contact area on the card faces downward.

1110 PCI Express Mini Card for wireless LAN/WAN and TV card

For access, remove these FRUs in order:

- “1010 Battery pack” on page 35
- “1030 Hard disk drive (HDD) slot cover and HDD” on page 37
- “1090 SIM card slot cover” on page 46

Figure 11. Removal steps of PCI Express Mini Card for wireless LAN/WAN and TV card



Disconnect the two wireless LAN cables (black, white) ■, and then remove the screws ■.

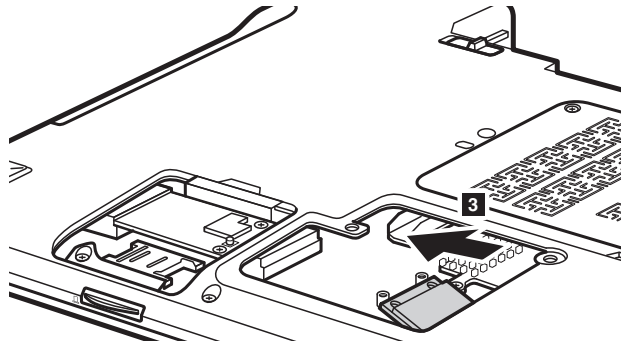
In step ■, unplug the jacks by using the removal tool antenna RF connector (P/N: 08K7159), or pick up the connectors with your fingers and gently unplug them in the direction shown by arrows.

Notes: wireless LAN card has 2 cables in step ■.
 wireless LAN card in some models may have 3 cables in step ■.

Step	Screw (quantity)	Color	Torque
2	M2.5 × 4 mm, flat-head, nylok-coated (2)	Black	2.0±0.2 kgfcm

Figure 11. Removal steps of PCI Express Mini Card for wireless LAN/WAN and TV card (continued)

Remove the card in the direction shown by arrow **3**.

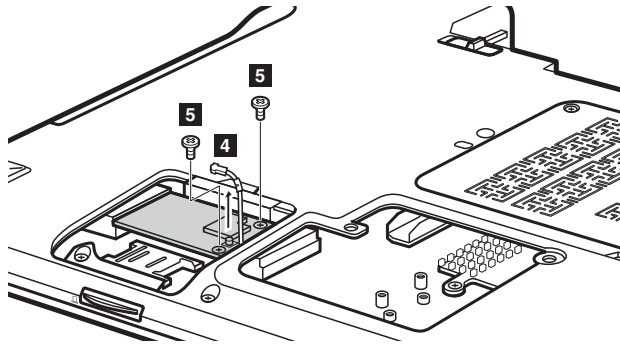


When installing:

- In models with a wireless LAN card that has two antenna connectors, plug the black cable (1st) (MAIN) into the jack labeled **1**, and the white cable (2nd) (AUX) into jack labeled **2** on the card.
- In models with a wireless LAN card that has three antenna connectors, plug the black cable (1st) (MAIN) into the jack labeled **1**, the grey cable (3rd) into jack labeled **3**, and the white cable (2nd) (AUX) into jack labeled **2** on the card.

Figure 11. Removal steps of PCI Express Mini Card for wireless LAN/WAN and TV card (continued)

Disconnect the TV card cable (grey) **4** and remove two screws **5**.

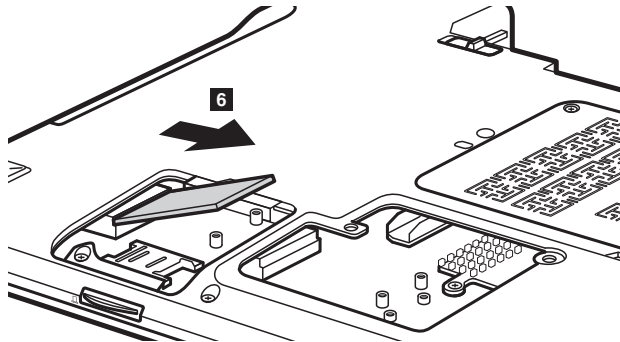


In step **4**, unplug the jack by using the removal tool antenna RF connector (P/N: 08K7159), or pick up the connector with your fingers and gently unplug it in the direction shown by the arrow.

Step	Screw (quantity)	Color	Torque
5	M2.5 × 4 mm, flat-head, nylok-coated (2)	Black	2.0±0.2 kgfcm

Figure 11. Removal steps of PCI Express Mini Card for wireless LAN/WAN and TV card (continued)

Remove the TV card in the direction shown by arrow **6**.



1120 Keyboard cover, system status indicator board and touch inductive panel

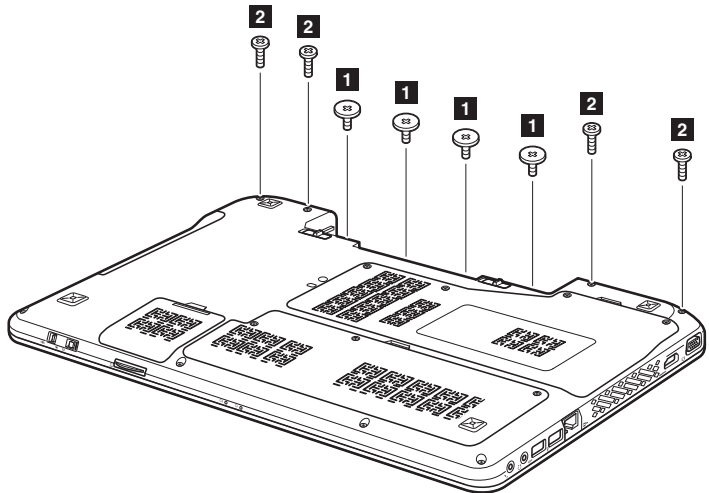
For access, remove this FRU:

- “1010 Battery pack” on page 35

Note: System status indicator board is attached to the keyboard cover.

Figure 12. Removal steps of keyboard cover, system status indicator board and touch inductive panel

Remove the screws **■** 2.



Step	Screw (quantity)	Color	Torque
■	M2.5 × 2 mm, flat-head, nylok-coated (4)	Black	1.5±0.2 kgfcm
2	M2.5 × 6.5 mm, flat-head, nylok-coated (4)	Black	2.5±0.2 kgfcm

Figure 12. Removal steps of keyboard cover, system status indicator board and touch inductive panel (continued)

Open the LCD at an angle about 120°.

Lift the keyboard cover with fingers in the direction shown by arrows **3** **4**.

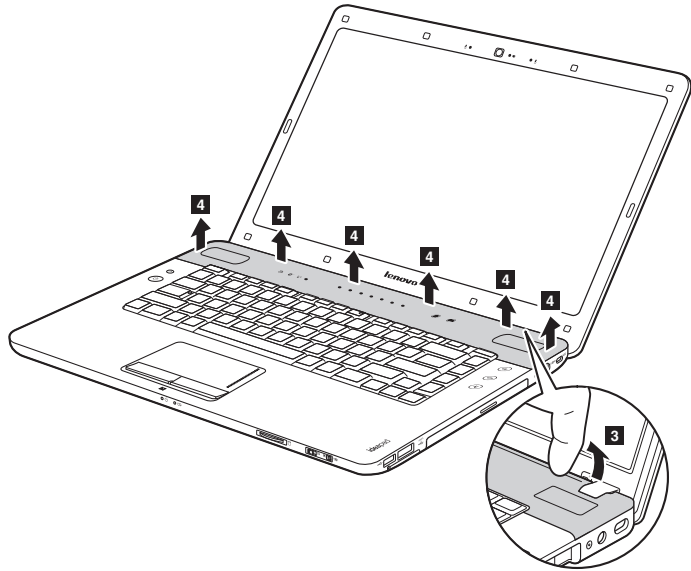
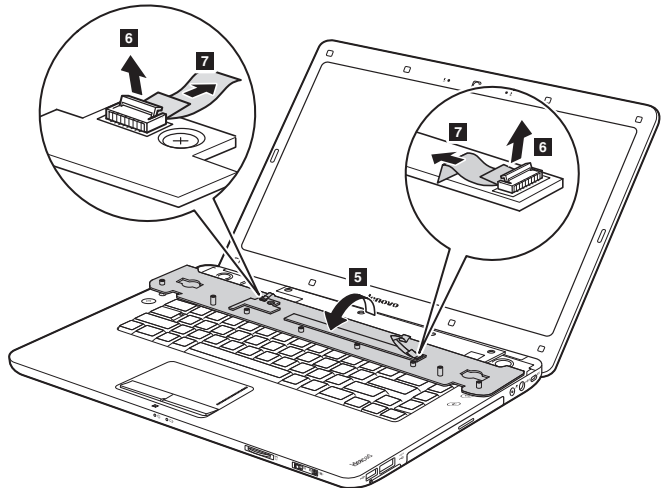


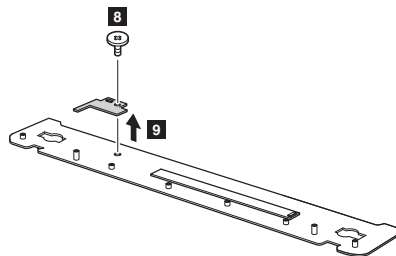
Figure 12. Removal steps of keyboard cover, system status indicator board and touch inductive panel (continued)

Turn the keyboard cover over in the direction shown by arrow 5, detach the two FPC connectors in the direction shown by arrows 6 7, and then remove the keyboard cover.



When installing: Make sure that the FPC connectors are attached firmly.

Remove the screw 8, and then remove the system status indicator board in the direction shown by arrow 9.



Step	Screw (quantity)	Color	Torque
8	M2.5 × 2 mm, flat-head, nylok-coated (1)	Black	1.5±0.2 kgfcm

Note: Touch inductive panel is fixed on the keyboard cover.

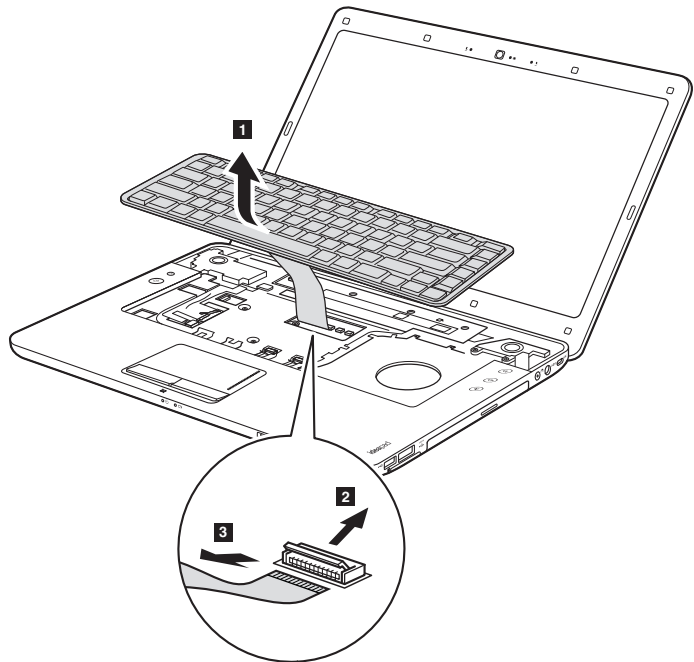
1130 Keyboard

For access, remove these FRUs in order:

- “1010 Battery pack” on page 35
- “1120 Keyboard cover, system status indicator board and touch inductive panel” on page 52

Figure 13. Removal steps of keyboard

Lift the keyboard a little **1**, and then detach the connector in the direction shown by arrows **2** **3**.



When installing: Make sure that the FPC connector is attached firmly.

1140 Keyboard bezel, speakers, power board and volume buttons board

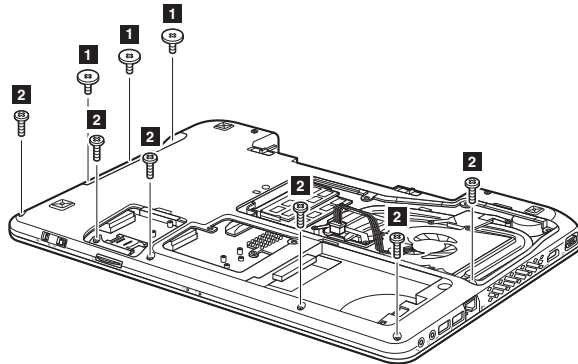
For access, remove these FRUs in order:

- “1010 Battery pack” on page 35
- “1030 Hard disk drive (HDD) slot cover and HDD” on page 37
- “1050 Thermal slot cover” on page 40
- “1090 SIM card slot cover” on page 46
- “1110 PCI Express Mini Card for wireless LAN/WAN and TV card” on page 48
- “1120 Keyboard cover, system status indicator board and touch inductive panel” on page 52
- “1130 Keyboard” on page 55

Note: Power board and volume buttons board are attached to the keyboard bezel.

Figure 14. Removal steps of keyboard bezel, speakers, power board and volume buttons board

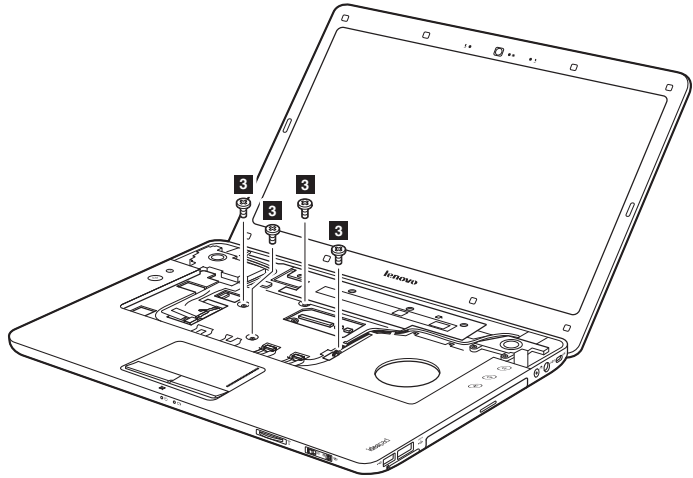
Remove three screws **1** and six screws **2** on the bottom.



Step	Screw (quantity)	Color	Torque
1	M2.5 × 2 mm, flat-head, nylok-coated (3)	Black	1.5±0.2 kgfcm
2	M2.5 × 6.5 mm, flat-head, nylok-coated (6)	Black	2.5±0.2 kgfcm

Figure 14. Removal steps of keyboard bezel, speakers, power board and volume buttons board (continued)

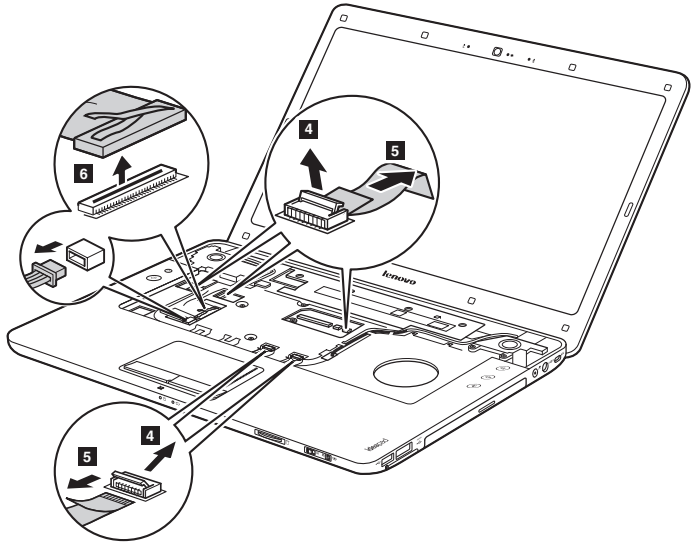
Remove four screws **3**.



Step	Screw (quantity)	Color	Torque
3	M2.5 × 4 mm, flat-head, nylok-coated (4)	Black	2.0±0.2 kgfcm

Figure 14. Removal steps of keyboard bezel, speakers, power board and volume buttons board (continued)

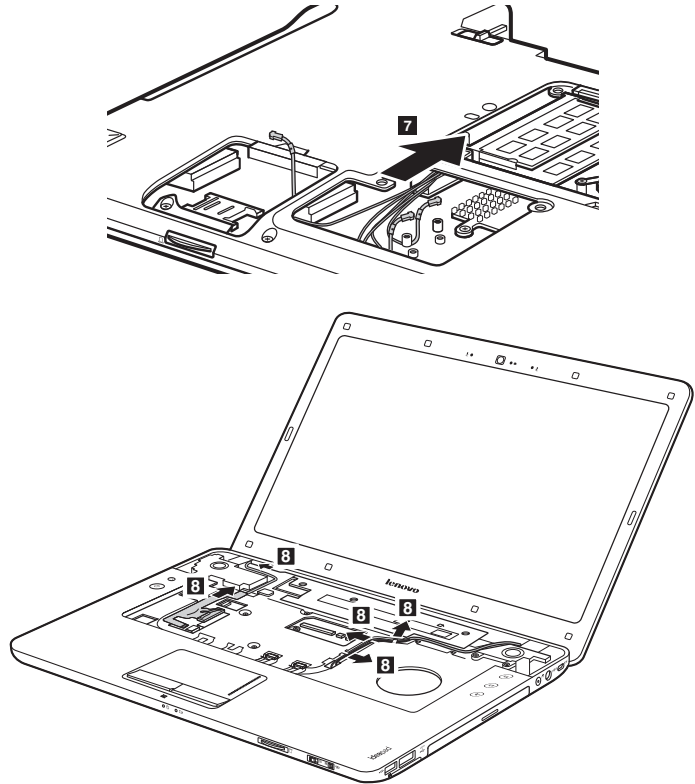
Detach five FPC connectors in the direction shown by arrows **4** **5**. Unplug the LCD connector in the direction shown by arrow **6**.



When installing: Make sure that all the FPC connectors and the LCD connector are attached firmly.

Figure 14. Removal steps of keyboard bezel, speakers, power board and volume buttons board (continued)

Pull out two antenna cables (red, black) from the guide hole of the system board in the direction shown by arrow **7**. Release the antenna cables and the LCD cable from the cable guides in the direction shown by arrows **8**.

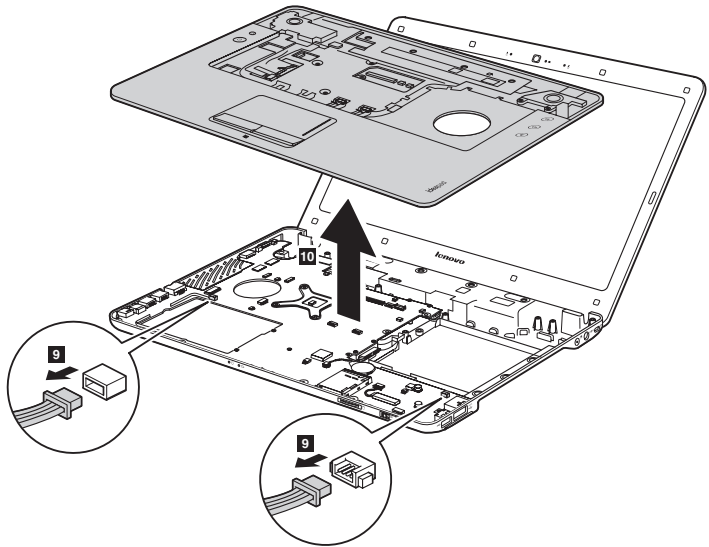


When installing:

- Route the antenna cables along the cable guides. As you route the cables, make sure that they are not subjected to any tension. Tension could cause the cables to be damaged by the cable guides, or a wire to be broken.
- Make sure that the LCD connector is attached firmly and make sure that you do not pinch the antenna cables when you attach the LCD assembly. Route the LCD cable along the cable guides.

Figure 14. Removal steps of keyboard bezel, speakers, power board and volume buttons board (continued)

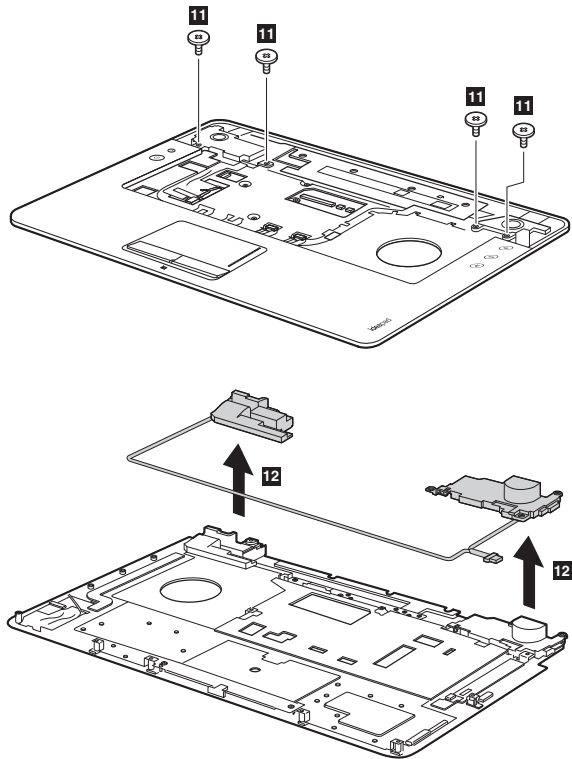
Lift the keyboard bezel a little, detach two connectors in the direction shown by arrows **9**, and then remove the keyboard bezel **10**.



When installing: Make sure that the two connectors are attached firmly.

Figure 14. Removal steps of keyboard bezel, speakers, power board and volume buttons board (continued)

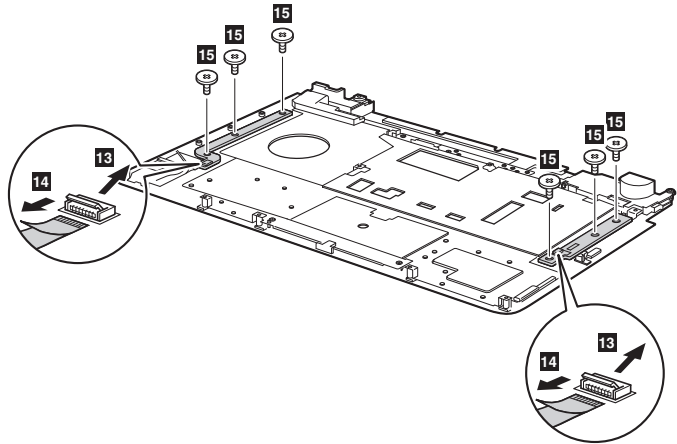
Remove four screws **11**, release the speaker cables from the cable guides, and then remove the speakers **12**.



Step	Screw (quantity)	Color	Torque
11	M2.0 × 2.65 mm, flat-head, nylok-coated (4)	Black	1.5±0.2 kgfcm

Figure 14. Removal steps of keyboard bezel, speakers, power board and volume buttons board (continued)

Detach two FPC connectors in the direction shown by arrows 13 14, remove six screws 15, and then remove the power board and volume buttons board.



Step	Screw (quantity)	Color	Torque
15	M2.5 × 2 mm, flat-head, nylok-coated (6)	Black	1.5±0.2 kgfcm

1150 System board, ExpressCard slot assembly and bluetooth daughter card

Important notices for handling the system board:

When handling the system board, bear the following in mind.

- Be careful not to drop the system board on a bench top that has a hard surface, such as metal, wood, or composite.
- Avoid rough handling of any kind.
- In the whole process, make sure not to drop or stack the system board.
- If you put a system board down, make sure to put it only on a padded surface such as an ESD mat or conductive corrugated material.

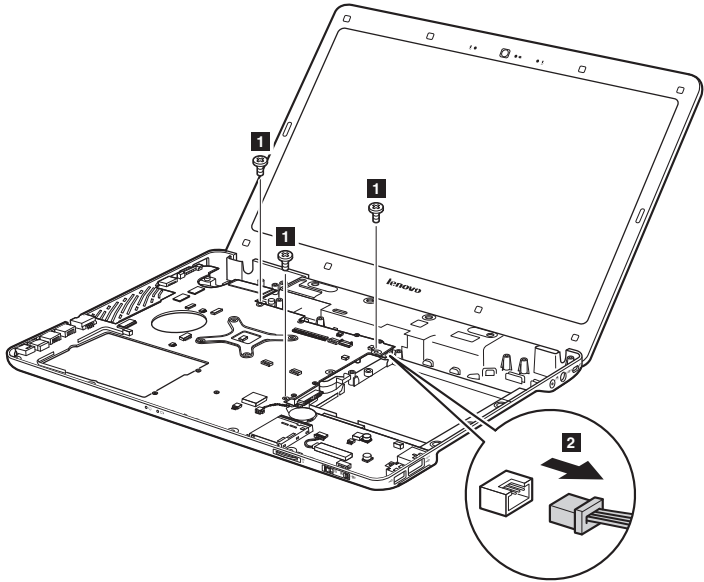
For access, remove these FRUs in order:

- “1010 Battery pack” on page 35
- “1020 Dummy cards” on page 36
- “1030 Hard disk drive (HDD) slot cover and HDD” on page 37
- “1040 Optical drive” on page 39
- “1050 Thermal slot cover” on page 40
- “1060 DIMM” on page 41
- “1070 Fan assembly and Heat Sink assembly” on page 42
- “1090 SIM card slot cover” on page 46
- “1110 PCI Express Mini Card for wireless LAN/WAN and TV card” on page 48
- “1120 Keyboard cover, system status indicator board and touch inductive panel” on page 52
- “1130 Keyboard” on page 55
- “1140 Keyboard bezel, speakers, power board and volume buttons board” on page 56

Note: ExpressCard slot assembly is attached to the system board.

Figure 15. Removal steps of system board, ExpressCard slot assembly and bluetooth daughter card

Remove three screws **1**, and unplug the power assembly connector **2**.

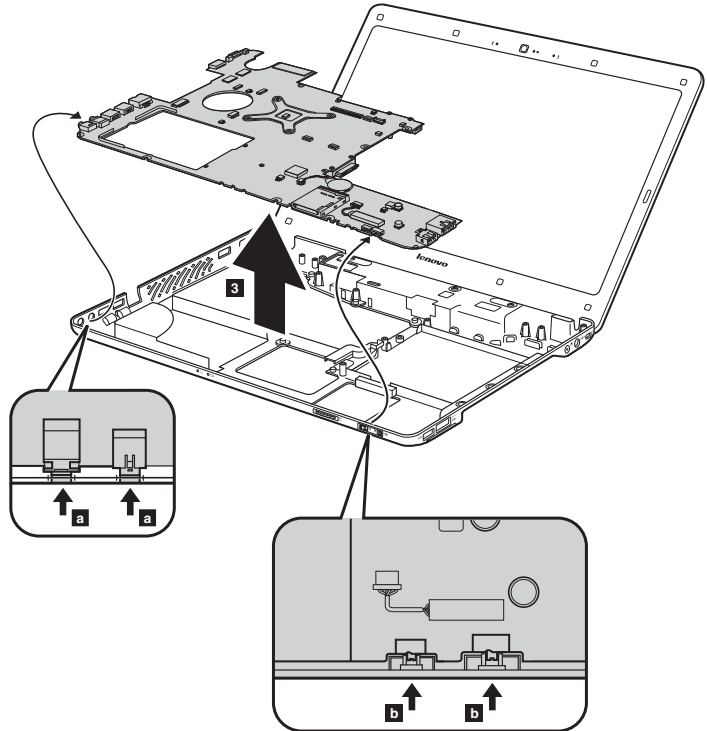


When installing: Make sure that the power assembly connector is attached firmly.

Step	Screw (quantity)	Color	Torque
1	M2.5 × 4 mm, flat-head, nylok-coated (3)	Black	2.0±0.2 kgfcm

Figure 15. Removal steps of system board, ExpressCard slot assembly and bluetooth daughter card (continued)

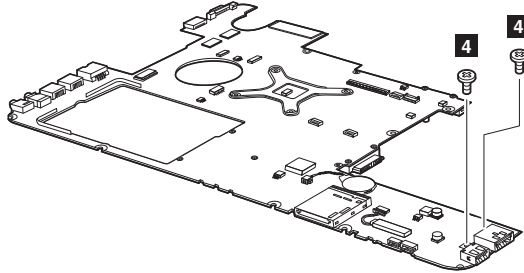
Remove the system board in the direction shown by arrow **3**.



When installing: When attaching the system board to the base cover, adjust the placement of the wireless radio switch and the graphics switch as shown in **b**, and make sure that both of the audio jack and the microphone jack are attached to the holes on the base cover as shown in **a**. Improper placement of the switch or those jacks might cause a damage.

Figure 15. Removal steps of system board, ExpressCard slot assembly and bluetooth daughter card (continued)

Turn the system board over and remove two screws **4**.



Step	Screw (quantity)	Color	Torque
4	M2.0 × 2 mm, flat-head, nylok-coated (2)	White	1.5±0.2 kgfcm

Remove the ExpressCard slot assembly in the direction shown by arrow **5**.

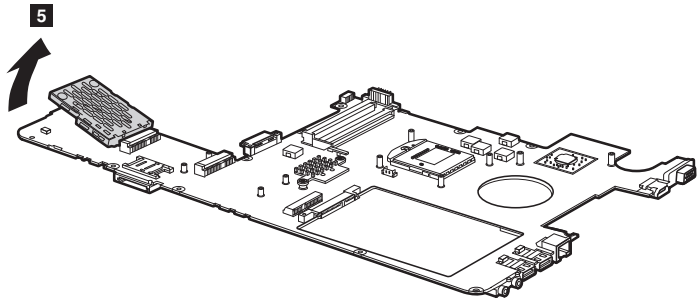
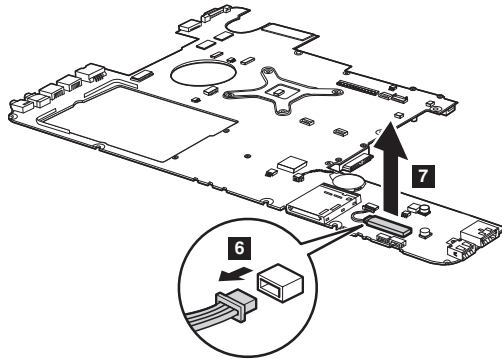


Figure 15. Removal steps of system board, ExpressCard slot assembly and bluetooth daughter card (continued)

Note: The bluetooth daughter card is attached to the system board.

Detach the connector **6**, and remove the bluetooth daughter card in the direction shown by arrow **7**.



When installing: Make sure that the connector is attached firmly.

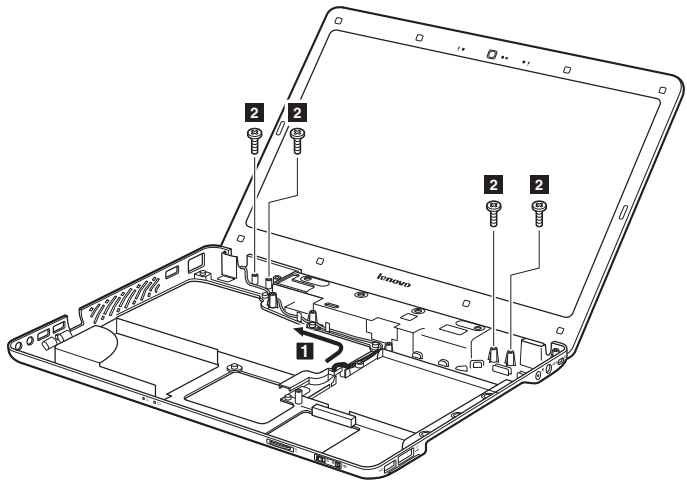
1160 LCD unit

For access, remove these FRUs in order:

- “1010 Battery pack” on page 35
- “1020 Dummy cards” on page 36
- “1030 Hard disk drive (HDD) slot cover and HDD” on page 37
- “1040 Optical drive” on page 39
- “1050 Thermal slot cover” on page 40
- “1060 DIMM” on page 41
- “1070 Fan assembly and Heat Sink assembly” on page 42
- “1090 SIM card slot cover” on page 46
- “1110 PCI Express Mini Card for wireless LAN/WAN and TV card” on page 48
- “1120 Keyboard cover, system status indicator board and touch inductive panel” on page 52
- “1130 Keyboard” on page 55
- “1140 Keyboard bezel, speakers, power board and volume buttons board” on page 56
- “1150 System board, ExpressCard slot assembly and bluetooth daughter card” on page 63

Figure 16. Removal steps of LCD unit

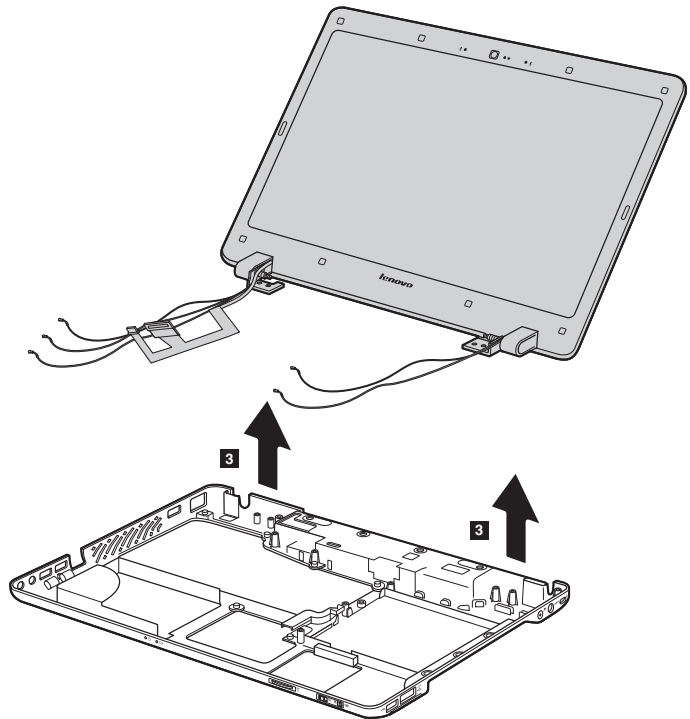
Release three antenna cables from the cable guides of the base cover **1** and remove four screws **2**.



Step	Screw (quantity)	Color	Torque
2	M2.5 × 6.5 mm, flat-head, nylok-coated (4)	Black	2.5±0.2 kgfcm

Figure 16. Removal steps of LCD unit (continued)

Remove the LCD unit in the direction shown by arrows **3**.



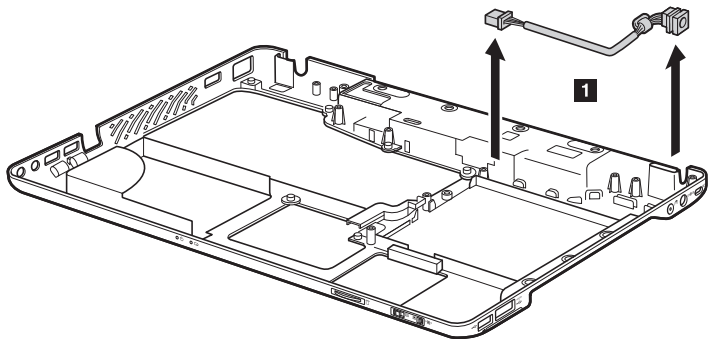
1170 Base cover

For access, remove these FRUs in order:

- “1010 Battery pack” on page 35
- “1020 Dummy cards” on page 36
- “1030 Hard disk drive (HDD) slot cover and HDD” on page 37
- “1040 Optical drive” on page 39
- “1050 Thermal slot cover” on page 40
- “1060 DIMM” on page 41
- “1070 Fan assembly and Heat Sink assembly” on page 42
- “1090 SIM card slot cover” on page 46
- “1110 PCI Express Mini Card for wireless LAN/WAN and TV card” on page 48
- “1120 Keyboard cover, system status indicator board and touch inductive panel” on page 52
- “1130 Keyboard” on page 55
- “1140 Keyboard bezel, speakers, power board and volume buttons board” on page 56
- “1150 System board, ExpressCard slot assembly and bluetooth daughter card” on page 63
- “1160 LCD unit” on page 68

Figure 17. Removal steps of base cover

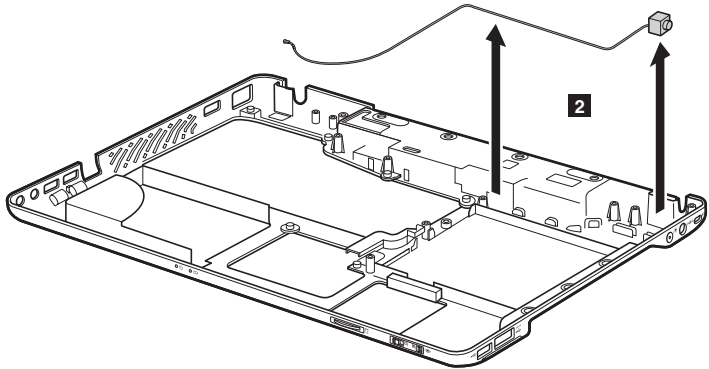
Remove the power assembly in the direction shown by arrows ■.



When installing: Make sure that the power connector is attached firmly.

Figure 17. Removal steps of base cover (continued)

Release the TV-in cable from the cable guide and then remove the TV-in assembly in the direction shown by arrows **2**.



When installing: Make sure that the TV-in connector is attached firmly.

Note: Applying labels to the base cover

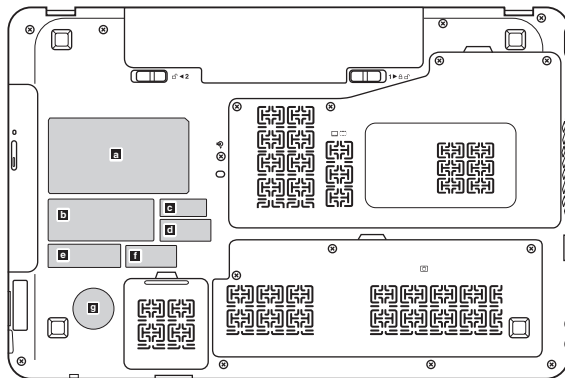
The new base cover FRU is shipped with a kit containing labels of several kinds. When you replace the base cover, you need to apply the following label:

The following labels need to be peeled off from the old base cover, and need to be put on the new base cover.

- a** Rating label
- b** COA label
- c** WLAN label
- d** Bluetooth label
- e** MTM & PRC label
- f** Israel label
- g** Energy Save label

For some models, you also need to apply one or two FCC labels. Check the old base cover; if it has one or two FCC labels, find duplicates of them in the label kit and apply them to the new base cover.

For the location of each label, refer to the following figure:



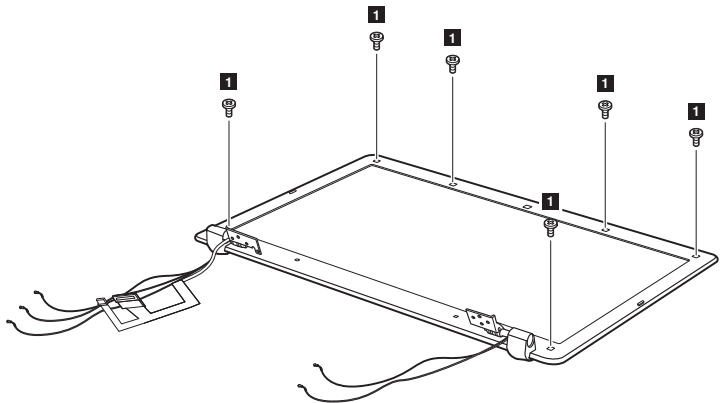
1180 LCD front bezel

For access, remove these FRUs in order:

- “1010 Battery pack” on page 35
- “1020 Dummy cards” on page 36
- “1030 Hard disk drive (HDD) slot cover and HDD” on page 37
- “1040 Optical drive” on page 39
- “1050 Thermal slot cover” on page 40
- “1060 DIMM” on page 41
- “1070 Fan assembly and Heat Sink assembly” on page 42
- “1090 SIM card slot cover” on page 46
- “1110 PCI Express Mini Card for wireless LAN/WAN and TV card” on page 48
- “1120 Keyboard cover, system status indicator board and touch inductive panel” on page 52
- “1130 Keyboard” on page 55
- “1140 Keyboard bezel, speakers, power board and volume buttons board” on page 56
- “1150 System board, ExpressCard slot assembly and bluetooth daughter card” on page 63
- “1160 LCD unit” on page 68

Figure 18. Removal steps of LCD front bezel

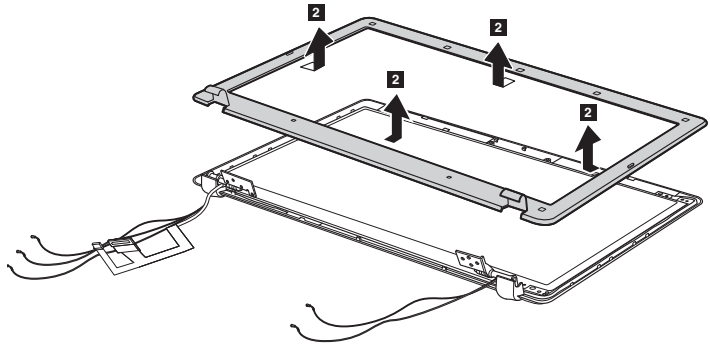
Remove six screws ■.



Step	Screw (quantity)	Color	Torque
■	M2.5 × 4 mm, flat-head, nylok-coated (6)	Black	2.0±0.2 kgfcm

Figure 18. Removal steps of LCD front bezel (continued)

Remove the LCD front bezel in the direction shown by arrows **2**.



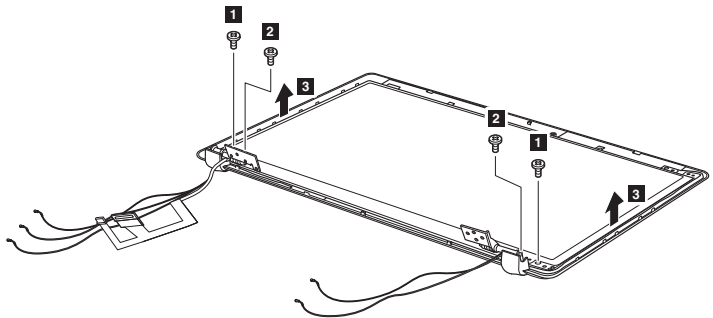
1190 LCD panel, LCD cable and hinges

For access, remove these FRUs in order:

- “1010 Battery pack” on page 35
- “1020 Dummy cards” on page 36
- “1030 Hard disk drive (HDD) slot cover and HDD” on page 37
- “1040 Optical drive” on page 39
- “1050 Thermal slot cover” on page 40
- “1060 DIMM” on page 41
- “1070 Fan assembly and Heat Sink assembly” on page 42
- “1090 SIM card slot cover” on page 46
- “1110 PCI Express Mini Card for wireless LAN/WAN and TV card” on page 48
- “1120 Keyboard cover, system status indicator board and touch inductive panel” on page 52
- “1130 Keyboard” on page 55
- “1140 Keyboard bezel, speakers, power board and volume buttons board” on page 56
- “1150 System board, ExpressCard slot assembly and bluetooth daughter card” on page 63
- “1160 LCD unit” on page 68
- “1180 LCD front bezel” on page 73

Figure 19. Removal steps of LCD panel, LCD cable and hinges

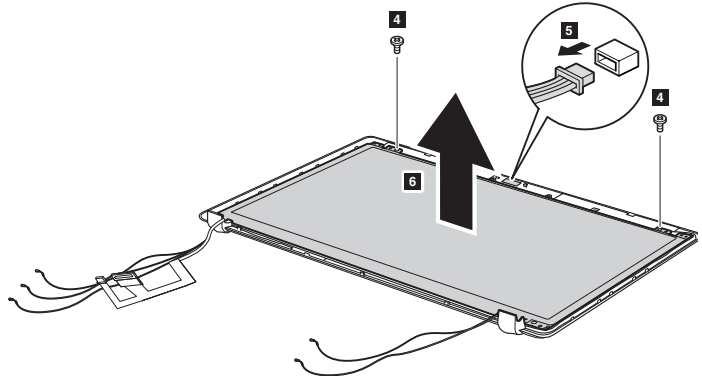
Remove four screws **2**, and then release the hinges in the direction shown by arrows **3**.



Step	Screw (quantity)	Color	Torque
2	M2.5 × 3.5 mm, flat-head, nylok-coated (2)	Black	2.0±0.2 kgfcm
2	M2.0 × 3.5 mm, flat-head, nylok-coated (2)	Black	1.5±0.2 kgfcm

Figure 19. Removal steps of LCD panel, LCD cable and hinges (continued)

Remove two screws **4**. Lift the lower side of the LCD panel, detach the integrated camera connector in the direction shown by arrow **5** and then remove the LCD panel **6**.



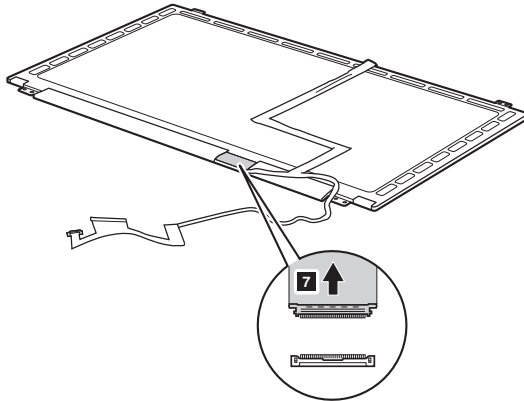
When installing: Make sure that the connector is attached firmly.

Step	Screw (quantity)	Color	Torque
5	M2.0 × 3.5 mm, flat-head, nylok-coated (2)	Black	1.5±0.2 kgfcm

Figure 19. Removal steps of LCD panel, LCD cable and hinges (continued)

Note: The LCD cables are attached to the LCD panel by a metal connector.

Peel off the adhesive tape and detach the metal connector in the direction shown by arrow **7**.



When installing: Make sure that the metal connector is attached firmly.

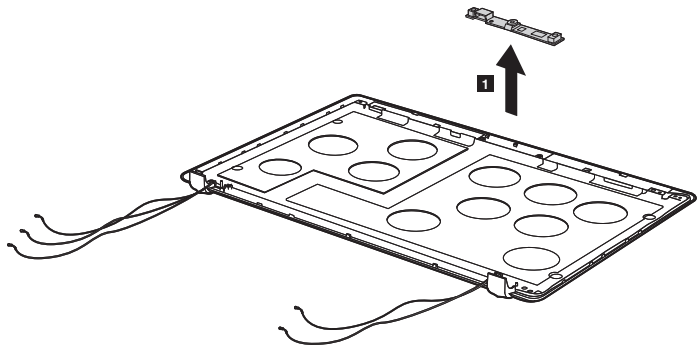
1200 Integrated camera

For access, remove these FRUs in order:

- “1010 Battery pack” on page 35
- “1020 Dummy cards” on page 36
- “1030 Hard disk drive (HDD) slot cover and HDD” on page 37
- “1040 Optical drive” on page 39
- “1050 Thermal slot cover” on page 40
- “1060 DIMM” on page 41
- “1070 Fan assembly and Heat Sink assembly” on page 42
- “1090 SIM card slot cover” on page 46
- “1110 PCI Express Mini Card for wireless LAN/WAN and TV card” on page 48
- “1120 Keyboard cover, system status indicator board and touch inductive panel” on page 52
- “1130 Keyboard” on page 55
- “1140 Keyboard bezel, speakers, power board and volume buttons board” on page 56
- “1150 System board, ExpressCard slot assembly and bluetooth daughter card” on page 63
- “1160 LCD unit” on page 68
- “1180 LCD front bezel” on page 73
- “1190 LCD panel, LCD cable and hinges” on page 75

Figure 20. Removal steps of integrated camera

Note: The integrated camera is stuck on the top center of the LCD cover.
Remove the integrated camera from the LCD cover ■.



When installing: Stick the integrated camera to the top center of the LCD cover and adjust the placement of it to make sure the connector is attached firmly.

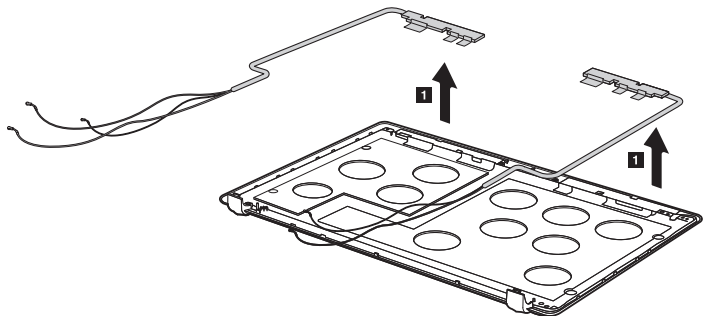
1210 Antenna assembly and LCD cover

For access, remove these FRUs in order:

- “1010 Battery pack” on page 35
- “1020 Dummy cards” on page 36
- “1030 Hard disk drive (HDD) slot cover and HDD” on page 37
- “1040 Optical drive” on page 39
- “1050 Thermal slot cover” on page 40
- “1060 DIMM” on page 41
- “1070 Fan assembly and Heat Sink assembly” on page 42
- “1090 SIM card slot cover” on page 46
- “1110 PCI Express Mini Card for wireless LAN/WAN and TV card” on page 48
- “1120 Keyboard cover, system status indicator board and touch inductive panel” on page 52
- “1130 Keyboard” on page 55
- “1140 Keyboard bezel, speakers, power board and volume buttons board” on page 56
- “1150 System board, ExpressCard slot assembly and bluetooth daughter card” on page 63
- “1160 LCD unit” on page 68
- “1180 LCD front bezel” on page 73
- “1190 LCD panel, LCD cable and hinges” on page 75

Figure 21. Removal steps of antenna assembly and LCD cover

Peel off the adhesive tapes securing the antenna boards, release the cables from the cable guide, and then remove the antenna assembly in the direction shown by arrows **1**.

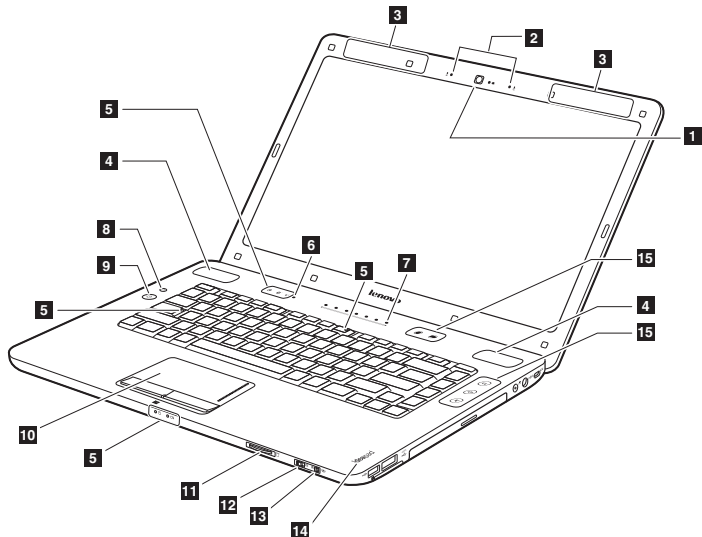


When installing: Route the antenna cables along the cable guides and secure the antenna boards with adhesive tapes. As you route the cables, make sure that they are not subjected to any tension. Tension could cause the cables to be damaged by the cable guides, or a wire to be broken.

Locations

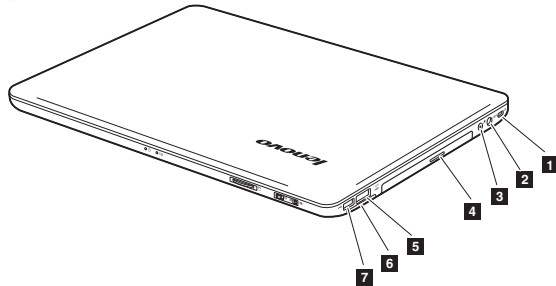
Front view

- 1 Integrated camera
 - 2 Array microphones (built-in)
 - 3 Wireless LAN antennas
 - 4 Speakers
 - 5 System status indicators
- Note:** For the description of each indicator, see “Status indicators” on page 30.
- 6 Ambient Light Sensor
 - 7 Lenovo SlideNav bar
 - 8 OneKey Rescue System button
 - 9 Power button
 - 10 Touch pad
 - 11 Media card slot
 - 12 GPU (graphics processing unit) switch (specific models only)
 - 13 Integrated wireless device switch
 - 14 Cap sensor buttons
 - 15 IdeaPad lighting logo



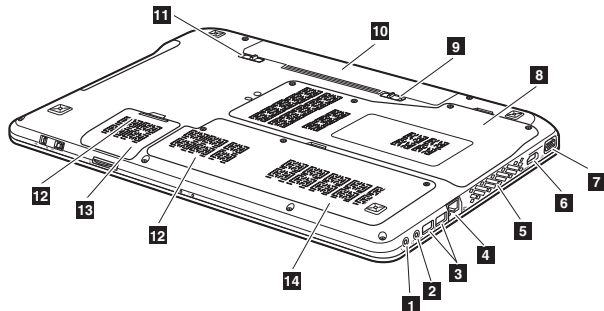
Right-side view

- 1 Kensington slot
- 2 AC power adapter jack
- 3 TV-in jack (specific models only)
- 4 Optical drive
- 5 eSATA/USB combo port
- 6 ExpressCard Slot
- 7 USB port



Bottom and Left-side view

- 1 Microphone jack
- 2 Headphone jack
- 3 USB port
- 4 RJ-45 port
- 5 Fan louvers
- 6 HDMI port
- 7 VGA port
- 8 Central Processing Unit (CPU)/ Memory (RAM) compartment
- 9 Battery latch-manual
- 10 Battery pack
- 11 Battery latch-spring loaded
- 12 Mini PCI ExpressCard slot compartment (specific models only)
- 13 SIM card slot (specific models only)
- 14 Hard disk drive (HDD) compartment



Parts list

This section presents the following service parts:

- “Overall” on page 83
- “LCD FRUs” on page 88
- “Keyboard” on page 90
- “Miscellaneous parts” on page 94
- “AC adapters” on page 95
- “Power cords” on page 96

Notes:

- Each FRU is available for all types or models, unless specific types or models are specified.

Overall

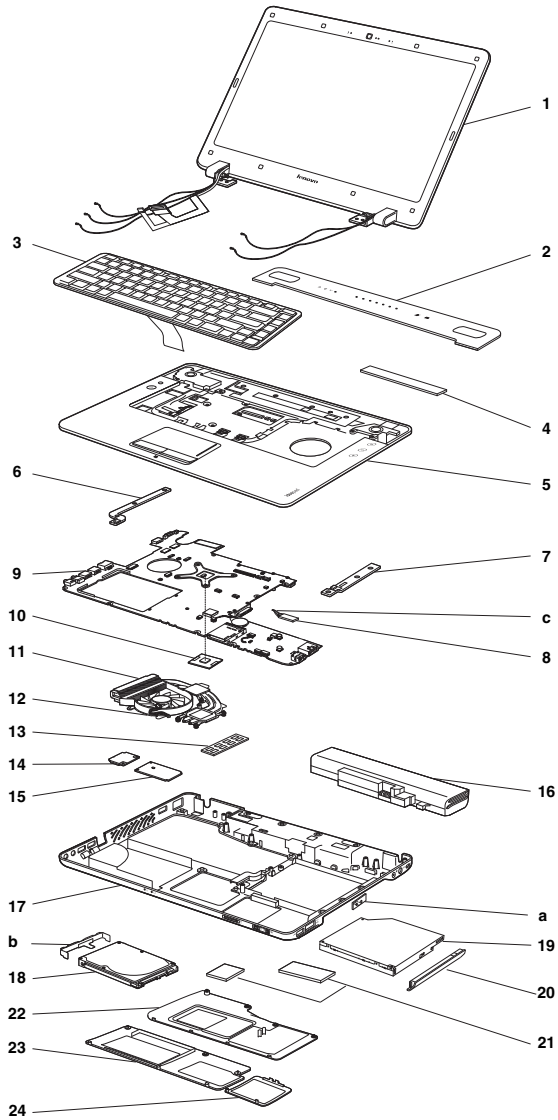


Table 5. Parts list—Overall

No.	FRU	FRU no.
1	LCD unit (see “LCD FRUs” on page 88.)	
2	KL3 KB COVER ASSY	31043075
3	Keyboard (see “Keyboard” on page 90.)	
4	KL3 SENSOR/B (HD/LAN/BT_LED)SP	11012049
5	KL3 TOP COVER GRAY ASSY SP	31043058
6	KL3 POWER BUTTON/B (PWR/NOVO) SP	11012047
6	KL3A POWER BUTTON/B (PWR/NOVO)SP	11012048
7	KL3 VOLUME/B (VOL UP/DOWN/MUTE)SP	31043056
7	KL3A VOLUME/B (VOL UP/DOWN/MUTE) SP	31043057
8	Bluetooth card, BT2.1 + EDR, Fcn BCM92070 BT2.1 EDR Flash U NB	20002266
8	Bluetooth card, BT2.1 + EDR, USI BCM92070 BT2.1 EDR Flash U NB	20002326
9	KL3B M/B (PCH/XT/H1G)CLS WOCPU	11011963
9	KL3A M/B (PCH/XT)ARD WOCPU/SI	11011964
9	KL3 M/B (PCH/UMA)WOCPU/SIMM SP	11011972
10	CPU assembly, Intel ARD 2.66G 4M I7-620M rPGA processor	102000791
10	CPU assembly, Intel ARD 2.53G 3M I5-540M rPGA processor	102000790
10	CPU assembly, Intel ARD 2.40G 3M I5-520M rPGA processor	102000789
10	CPU assembly, Intel ARD 2.26G 3M C2 I5-430M PGA processor	102000788
10	CPU assembly, Intel ARD 2.26G 3M C2 I3-350M PGA processor	102000787
10	CPU assembly, Intel ARD 2.13G 3M C2 I3-330M PGA processor	102000786
10	CPU assembly, Intel i-720QM 1.60G 6M B-1 rPGA processor	102000734
10	CPU assembly, Intel i-820QM 1.73G 8M B-1 rPGA processor	102000733
11	KL3 HEAT SINK ASSY 35W UMA SP	31043101
11	KL3B HEAT SINK ASSY 45W DIS SP	31043102
12	KL3 FAN ASSY UMA (80.9*84.4*9.6) FCN	31043064
13	DDRIII 1066 1GB, SAM M471B2873FHS-CF8 DDR3 1066 1GB	11011550
13	DDRIII 1066 1GB, EBJ10UE8BDS0-AE-F (Rev D /1Gb/65nm)	11011281
13	DDRIII 1066 1GB, MT8JSF12864HZ-1G1F1(V58B/1Gb/68nm)	11010924
13	DDRIII 1066 1GB, HMT112S6BFR6C-G7 N0 (Orion/1Gb/54nm)	11010904
13	DDRIII 1066 1GB, HYN HMT112S6TFR8C-G7N0 DDR3 1066 1GB	11011555
13	DDRIII 1066 2GB, SAM M471B5673FH0-CF8 DDR3 1066 2GB	11011551
13	DDRIII 1066 2GB, EBJ21UE8BDS0-AE-F(Rev D /1Gb/65nm)	11011240
13	DDRIII 1066 2GB, MT16JSF25664HZ-1G1F1 (V58B/1Gb/68nm)	11010925
13	DDRIII 1066 2GB, HMT125S6BFR8C-G7 N0 (Orion/1Gb/54nm)	11010905
13	DDRIII 1066 2GB, HYN HMT125S6TFR8C-G7N0 DDR3 1066 2GB	11011554
13	DDRIII 1066 4GB, SAM M471B5273CH0-CF8 DDR3 1066 4GB	11011937
13	DDRIII 1066 4GB, HMT351S6AFR8C-G7N0 (Orion/2Gb/54nm)	11011215
13	DDRIII 1066 4GB, ELP EBJ41UF8BAS0-DJ-F DDR3 1066 4GB	11011867
13	DDRIII 1333 1GB, M471B2873EH1-CH9 (Rev E /1Gb/56nm) (128Mbx8)	11011242
13	DDRIII 1333 1GB, M471B2873FHS-CH9 (Rev F /1Gb/46nm)	11011936
13	DDRIII 1333 1GB, EBJ10UE8BDS0-DJ-F(Rev D /1Gb/65nm)	11011497

Table 5. Parts list—Overall (continued)

No.	FRU	FRU no.
13	DDRIII 1333 1GB, MT8JSF12864HZ-1G4F1(V58B/1Gb/68nm)	11011494
13	DDRIII 1333 1GB, HMT112S6TFR8C-H9 N0 (CS Samples 2010.1.8)	11011971
13	DDRIII 1333 1GB, HMT112S6BFR6C-H9 N0 (Rev Orion/1Gb/54nm)	11011244
13	DDRIII 1333 2GB, M471B5673EH1-CH9 (Rev E /1Gb/56nm)	11011241
13	DDRIII 1333 2GB, M471B5673FH0-CH9(Rev F /1Gb/46nm)	11011935
13	DDRIII 1333 2GB, EBJ21UE8BDS0-DJ-F(Rev D /1Gb/65nm)	11011496
13	DDRIII 1333 2GB, MT16JSF25664HZ-1G4F1((V58B/1Gb/68nm))	11011493
13	DDRIII 1333 2GB, HMT125S6TFR8C-H9 N0 (CS Samples 2009.12.24)	11011970
13	DDRIII 1333 2GB, HMT125S6BFR8C-H9 N0 (Rev Orion/1Gb/54nm)	11011243
13	DDRIII 1333 4GB, SAM M471B5273CH0-CH9 DDR3 1333 4GB	11011934
13	DDRIII 1333 4GB, HMT351S6AFR8C-H9 N0 ((Rev Orion /2Gb/54nm))	11011513
13	DDRIII 1333 4GB, ELP EBJ41UF8BAS0-DJ-F DDR3 1066 4GB	11011867
14	WLAN card, 802.16e, Intel 6250NX MOW M PCIE NB HMC	20002321
14	WLAN card, 802.16e, Intel 6250GX MOW M PCIE NB HMC	20002388
14	WLAN card, 802.11 a/g/n, Intel 6200N MOW M PCIE NB HMC	20002324
14	WLAN card, 802.11 b/g/n(2*2), Gtc BCM43225 BGN MOW NB HMC	20002271
14	WLAN card, 802.11 b/g/n(2*2), Cbt AR9283 HB93 BGN MOW HMC NB	20002276
14	WLAN card, 802.11 b/g/n(1*1), Gtc BCM4313 M 802.11N MOW NB	20002347
14	WLAN card, 802.11 b/g/n(1*1), Cbt AR9285 HB95 BGN MOW NB	20002346
14	WLAN card, 802.11 b/g/n(1*1), Liteon AR9285 HB95 BGN MOW NB	20002357
14	WLAN card, 802.11 b/g/n(1*2), Intel 1000N MOW M PCIE NB HMC	20002329
14	WWAN card, WCDMA/HSDPA 7.2M, Ericsson F3607gw WCDMA 850MHz WWAN card	11011296
14	WWAN card, WCDMA/HSDPA 7.2M, Ericsson F3607gw WCDMA 900MHz WWAN card	11011295
14	WWAN card, WCDMA/HSDPA 7.2M, Huawei EM770 HSDPA MiniPCIE WWAN card	11010888
14	WWAN card, WCDMA/HSDPA 7.2M, Huawei EM770U WCDMA MOW WWAN card	11011654
14	WWAN card, WCDMA/HSDPA 7.2M, Huawei EM770W WCDMA MOW WWAN card	11011653
14	WWAN card, Gobi, Qualcomm GOBI WCDMA/EVDO WWAN Card	11011655
14	WWAN card, EVDO, Huawei EM660 EV-DO MiniPCIE WWAN card	11010853
14	WWAN card, EVDO, ZTE MC2716 EVDO MiniPCIE WWAN card	11011055
14	WWAN card, TD-SCDMA, TC LC5730C TD+CMMB MiniPCIE WWAN card	11011598
14	WWAN card, TD-SCDMA, TC LC5730D TD-SCDMA MiniPCIE WWAN card	11011652
14	WWAN card, TD-SCDMA, LM TD232 TD+CMMB MiniPCIE WWAN card	11011650

Table 5. Parts list—Overall (continued)

No.	FRU	FRU no.
14	WWAN card, TD-SCDMA, LM TD231 TD-SCDMA MiniPCIE WWAN card	11011651
14	WWAN card, TD-SCDMA, ZTE M302 TD-SCDMA MiniPCIE WWAN card	11011600
14	WWAN card, TD-SCDMA, ZTE M303 TD+CMMB MiniPCIE WWAN card	11011599
15	KL3 TV TUNER CARD DMB-TH 61A328HB04AD	11012050
15	KL3 TV TUNER MODULE ATSC 51A336AN00AE	11012051
15	KL3 DMB-TH TV TUNER CARD(MC163M)	11012052
15	KL3DVB-T TV TUNER CARD(MC907)	11012053
16	Battery pack, 3S2P 6cell, 5200mAh, 11.1V, Sanyo Y460&Y560 3S2P 57Wh Li-ion Battery	121000918
16	Battery pack, 3S2P 6cell, 5200mAh, 11.1V, Sony Y460&Y560 3S2P 57Wh Li-ion Battery	121000917
16	Battery pack, 3S2P 6cell, 5200mAh, 11.1V, LG Y460&Y560 3S2P 57Wh Li-ion Battery	121000916
17	KL3 BASE DIS W TV TUNE SP	31043059
17	KL3 BASE UMA W TV TUNER SP	31043060
17	KL3 BASE HYB W/TV TUNER SP	31043061
18	Hard disk drive, 250G 5400rpm SATA, Hitachi HTS545025B9A300 250G 9NB	16004060
18	Hard disk drive, 250G 5400rpm SATA, WD WD2500BEVT- 22ZCT0 250G 9NB	16003731
18	Hard disk drive, 250G 5400rpm SATA, WD WD2500BEVT-24A23T0 5400RPM250G	16004524
18	Hard disk drive, 250G 5400rpm SATA, Seagate ST9250315AS 250G 9NB	16004186
18	Hard disk drive, 250G 5400rpm SATA, Toshiba MK2565GSX 5400RPM 250G	16004641
18	Hard disk drive, 250G 5400rpm SATA, Fujitsu MJA2250BH 250G 9NB	16004076
18	Hard disk drive, 320G 5400rpm SATA, Hitachi HTS545032B9A300 320G 9NB	16004059
18	Hard disk drive, 320G 5400rpm SATA, WD WD3200BEVT-22ZCT0 320G 9NB	16003403
18	Hard disk drive, 320G 5400rpm SATA, WD WD3200BEVT- 24A23T0 5400RPM320G	16004525
18	Hard disk drive, 320G 5400rpm SATA, Seagate ST9320325AS 320G 9NB	16004183
18	Hard disk drive, 320G 5400rpm SATA, Toshiba MK3265GSX 5400RPM 320G	16004642
18	Hard disk drive, 320G 5400rpm SATA, Fujitsu MJA2320BH 320G 9NB	16004075
18	Hard disk drive, 500G 5400rpm SATA, Hitachi HTS545050B9A300 500G 9NB	16004058
18	Hard disk drive, 500G 5400rpm SATA, WD WD5000BEVT- 24A0RT0 5400RPM500G	16004526

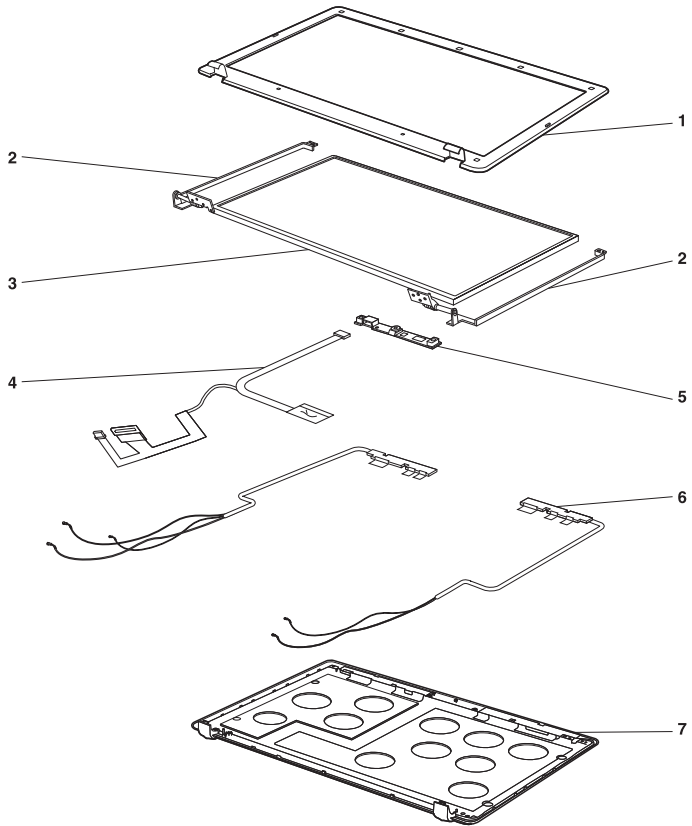
Table 5. Parts list—Overall (continued)

No.	FRU	FRU no.
18	Hard disk drive, 500G 5400rpm SATA, Seagate ST9500325AS 500G 9NB	16004189
18	Hard disk drive, 500G 5400rpm SATA, Toshiba MK5065GSX 5400RPM 500G	16004643
18	Hard disk drive, 500G 5400rpm SATA, Fujitsu MJA2500BH 500G 9NB	16004074
18	Hard disk drive, 640G 5400rpm SATA, WD WD6400BEVT-24AORT0 5400RPM640G	16004527
18	Hard disk drive, 640G 5400rpm SATA, Toshiba MK6465GSX 5400RPM 640G	16004644
18	Hard disk drive, 320G 7200rpm SATA, Hitachi HTS725032A9A364 7200RPM320G	16004530
18	Hard disk drive, 320G 7200rpm SATA, WD WD3200BEKT 7200RPM 320G	16004639
18	Hard disk drive, 320G 7200rpm SATA, Seagate ST9320423AS 7200RPM320G 9NB	16004533
18	Hard disk drive, 500G 7200rpm SATA, Hitachi HTS725050A9A364 7200RPM500G	16004531
18	Hard disk drive, 500G 7200rpm SATA, Seagate ST9500420AS 7200RPM500G 9NB	16004532
18	SSD, Samsung MMDPE64GEDXP-MVB mSATA 64G	16004558
18	SSD, Samsung MMCRE32GEDXP-MVB mSATA 32G	16004557
19	ODD, 12.7mm Tray Rambo, Optiarc AD-7700H Tray in RAMBO ODD	25009572
19	ODD, 12.7mm Tray Rambo, HLDS GT30N Tray in RAMBO	25009116
19	ODD, 12.7mm Tray Rambo, Optiarc AD-7585H	25009461
19	ODD, 12.7mm Tray Rambo, PCC UJ-890A Tray in RAMBO	25009440
19	ODD, 12.7mm Tray Rambo, PLDS DS-8A4S Tray in RAMBO	25009439
19	ODD, 12.7mm Tray BD Combo, Optiarc BC-5500H BD Combo	25009785
19	ODD, 12.7mm Tray BD Combo, PLDS DS-4E1S BD Combo	25009829
20	KL3 ODD BEZEL ASSY SP	31043062
20	KL3 BD COMBO BEZEL ASSY SP	31043063
21	KL3 SD DUMMY CARD	31043054
21	KL3 NEW CARD DUMMY CARD	31043055
22	KL3 THERMAL DOOR ASSY	31043082
22	KL3 THERMAL DOOR ASSY FOR DIS	31043083
23	KL3 HDD DOOR ASSY	31043089
24	KL3 SIM DOORASSY	31043086

LCD FRUs

In Lenovo IdeaPad Y560, there are following types of LCDs.

- “15.6-in. WXGA TFT”



15.6-in. WXGA TFT

Table 6. Parts list—15.6-in. WXGA TFT

No.	FRU	FRU no.
1	KL3 LCD BEZEL ASSY SP	31043070
2	KL3 HINGE SP	31043072
3	15.6 HD LED Panel (Flat), B156XW04 V0	18003942
3	15.6 HD LED Panel (Flat), LP156WH3-TLQ1	18003936
3	15.6 HD LED Panel (Flat), CLAA156WA15A	18003947
3	15.6 HD LED Panel (Flat), N156B6-L0D	18003931
3	15.6 HD LED Panel (Flat), LTN156AT10-L01	18003934
4	KL3 LCD CABLE ASSY	31043107
5	KL3 CAMERA SP	31043071
6	KL3 ANTENNA DTV(EARTH II)+CABLE(F)	31043090
6	KL3 ANTENNA DTV(EARTH II)+CABLE(IEC)	31043091
7	KL3 LCD COVER PATTERN 3G ASSY SP	31043065
7	KL3 LCD COVER PATTERN W/O 3G ASSY SP	31043066
7	KL3 LCD COVER GAMING 3G ASSY SP	31043067
7	KL3 LCD COVER GAMING W/O 3G ASSY SP	31043069

Keyboard

Table 7. Parts list—Keyboard

Language		P/N	
Keyboard (grey)	Chicony	Four Nordic countries	25009485
		Canadian English&French	25009487
		Japanese	25008698
		Czech	25008734
		International English	25008581
		Swiss	25008684
		Slovenian	25008737
		Slovak	25008746
		Icelandic	25008687
		Belgian	25008691
		Hungarian	25008748
		Hebrew	25008749
		Greek	25008750
		Dutch	25008752
		Brazilian	25008583
		Arabic	25008585
		German	25008592
		French	25008417
		Russian	25008419
		Traditional Chinese	25008422
		Korean	25008754
		Latin	25008594
		Portuguese	25008756
		Thai	25008425
	Turkish	25008596	
	Spanish	25008598	
	Italian	25008757	
	U.K. English	25008436	
	English	25008443	
	Sunrex	Four Nordic countries	25009497
		Canadian English&French	25009499
		International English	25008384
		Swiss	25008656
		Slovenian	25008660
Slovak		25008664	
Icelandic		25008666	
Belgian		25008669	
Hungarian		25008678	
Hebrew		25008682	
Greek		25008685	
Dutch		25008688	
Czech		25008694	
Japanese		25008706	
Brazilian		25008709	

Table 7. Parts list—Keyboard (continued)

Language		P/N	
Keyboard (grey) (continued)	Sunrex (continued)	Arabic	25008712
		German	25008713
		French	25008385
		Russian	25008386
		Traditional Chinese	25008387
		Korean	25008714
		Latin	25008577
		Portuguese	25008715
		Thai	25008388
		Turkish	25008579
		Spanish	25008711
		Italian	25008727
		U.K. English	25008439
		English	25008389
	NMB	International English	25008406
		Swiss	25008717
		Slovenian	25008718
		Slovak	25008722
		Icelandic	25008723
		Belgian	25008726
		Hungarian	25008773
		Hebrew	25008774
		Greek	25008775
		Dutch	25008776
		Czech	25008785
		Japanese	25008789
		Brazilian	25008570
		Arabic	25008573
		German	25008790
		French	25008431
		Russian	25008792
		Traditional Chinese	25008794
		Korean	25008745
		Latin	25008742
		Portuguese	25008740
		Thai	25008739
		Turkish	25008738
		Spanish	25008716
		Italian	25008720
U.K. English	25008721		
English	25008724		
Keyboard (white)	Chicony	Canadian English&French	25009486
		Four Nordic countries	25009500
		International English	25008430
		Swiss	25008553
		Slovenian	25008633

Table 7. Parts list—Keyboard (continued)

Language		P/N	
Keyboard (white) (continued)	Chicony (continued)	Slovak	25008637
		Icelandic	25008639
		Belgian	25008644
		Hungarian	25008652
		Hebrew	25008658
		Greek	25008661
		Dutch	25008667
		Czech	25008601
		Japanese	25008231
		U.K. English	25008253
		Italian	25008254
		Spanish	25008255
		Turkish	25008256
		Thai	25008257
		Portuguese	25008258
		Latin	25008259
		Korean	25008262
		Traditional Chinese	25008263
		Russian	25008264
		French	25008265
	German	25008266	
	Arabic	25008267	
	Brazilian	25008274	
	English	25008100	
	Sunrex	Four Nordic countries	25009496
		Canadian English&French	25009498
		Swiss	25008761
		International English	25008434
		Slovenian	25008672
		Slovak	25008677
		Icelandic	25008679
		Belgian	25008606
		Hungarian	25008619
		Hebrew	25008616
		Greek	25008621
Dutch		25008623	
Czech		25008541	
Japanese		25008233	
U.K. English		25008275	
Spanish	25008277		
Italian	25008278		
Turkish	25008282		
Thai	25008284		
Portuguese	25008285		
Latin	25008286		
Korean	25008288		

Table 7. Parts list—Keyboard (continued)

Language		P/N	
Keyboard (white) (continued)	Sunrex (continued)	Traditional Chinese	25008289
		French	25008290
		Russian	25008291
		German	25008292
		Brazilian	25008293
		Arabic	25008294
		English	25008101
	NMB	International English	25008600
		Swiss	25008765
		Slovenian	25008766
		Slovak	25008767
		Icelandic	25008768
		Belgian	25008769
		Hungarian	25008772
		Hebrew	25008725
		Greek	25008736
		Dutch	25008743
		Czech	25008751
		Portuguese	25008242
		Japanese	25008232
		U.K. English	25008236
		Italian	25008238
		Spanish	25008237
		Turkish	25008240
		Thai	25008241
		Latin	25008243
		Korean	25008245
		Traditional Chinese	25008246
		French	25008247
		Russian	25008249
		German	25008250
		Brazilian	25008251
Arabic	25008252		
English	25008099		

Miscellaneous parts

Table 8. Parts list—Miscellaneous parts

FRU	P/N
System miscellaneous parts: <ul style="list-style-type: none">• (a) KL2 ODD BKT (FBKL2003,REV3A)• (b) LE5 HDD BKT (FBLE5003,R3B)	31042936 59010524
Cable miscellaneous parts: <ul style="list-style-type: none">• (c) KL2 BT CABLE ASSY Note: Italicized letters in parentheses are references to the exploded view in "Overall" on page 83.	31042935

AC adapters

Table 9. Parts list—3-pin AC adapters

FRU	P/N
65W, Delta ADP-65KH B adapter	36001646
65W, Liteon PA-1650-56LC adapter	36001651
65W, CPA-A065 20V3.25A adapter	36001792
65W, Brazil PA-1650-52LB adapter	36001714
90W, Delta ADP-90DD B adapter	36001647
90W, Liteon PA-1900-56LC adapter	36001652
90W, CPA-A090 20V4.5A adapter	36001789
120W, Liteon PA-1121-04 adapter	36001718

Power cords

A Lenovo IdeaPad power cord for a specific country or region is usually available only in that country or region:

Table 10. Parts list—3-pin power cords

Region	P/N
CCC	145000602
• SSD YD-118-1+IEC53RVV+SSD-3-2B-1 1m	
CCC	145000600
• LINETEK PC323+RVV300/300+LS15 1m	
Argentina	145000599
• LINETEK LS15+H03VV-F+LP39 1m	
Danmark	145000598
• LINETEK LS15+H03VV-F+LP-38 1m	
Switzerland	145000597
• LINETEK LS15+H03VV-F+LP-37 1m	
Brazil	145000596
• LINETEK LS15 H03VV-F LP26A 1m	
Israel	145000595
• LINETEK LS15+H03VV-F+LP-41 1m	
UL	145000594
• LINETEK LP-30B + SPT-2 + LS15 1m	
UK	145000593
• LINETEK LP-61L+ H03VV-F+ LS15 1m	
Indian	145000592
• LINETEK PE-361+ H05VV-F+ LS15 1m	
Italy	145000591
• LINETEK LS15+H03VV-F+PE-336 1m	
Korea	145000590
• LINETEK LS15+H05VV-F+LP-E04A 1m	
Australia	145000589
• LINETEK LS15+H03VV-F+LP-23A 1m	
Taiwan	145000588
• LINETEK LS15+VCTF+LP-53 1m	
Japan	145000587
• LINETEK LS15+VCTF+LP-54 1m	
Africa	145000586
• LINETEK LS15+H03VV-F+PE-364 1m	
CE	145000585
• LINETEK LP-34+H03VV-F + LS15 1m	
CCC	145000568
• Longwell LSG-31+RVV300/300+LS-18 1m	
Argentina	145000567
• Longwell LP-24+H03VV-F+LS-18 1m	
Danmark	145000566
• Longwell LP-40+H03VV-F+LS-18 1m	
Switzerland	145000565
• Longwell LP-37+H03VV-F+LS-18 1m	

Table 10. Parts list—3-pin power cords (continued)

Region	P/N
Brazil	145000564
• Longwell LP-46+H03VV-F+LS-18 1m	
Israel	145000563
• Longwell LP-41+H03VV-F+LS-18 1m	
UL	145000562
• Longwell LP-30B+SPT-2 18AWG+LS-18 1m	
UK	145000561
• Longwell LP-61L+H03VV-F+LS-18 1m	
Indian	145000560
• Longwell LP-67+BIS+LS-18 1m	
Italy	145000559
• Longwell LP-22+H03VV-F+LS-18 1m	
Korea	145000558
• Longwell LP-486+KTLH03VV-F+LS-5 1m	
Australia	145000557
• Longwell LP-23A+LFC-3R+LS-18 1m	
Taiwan	145000556
• Longwell LP-71+VCTF+LS-33 1m	
Japan	145000555
• Longwell LP-54+VCTF+LS-18 1m	
Africa	145000554
• Longwell LP-39+H03VV-F+LS-18 1m	
CE	145000553
• Longwell LP-34A+H03VV-F+LS-18 1m	

Notices

Lenovo may not offer the products, services, or features discussed in this document in all countries. Consult your local Lenovo representative for information on the products and services currently available in your area. Any reference to a Lenovo product, program, or service is not intended to state or imply that only that Lenovo product, program, or service may be used. Any functionally equivalent product, program, or service that does not infringe any Lenovo intellectual property right may be used instead. However, it is the user's responsibility to evaluate and verify the operation of any other product, program, or service.

Lenovo may have patents or pending patent applications covering subject matter described in this document. The furnishing of this document does not give you any license to these patents.

LENOVO GROUP LTD. PROVIDES THIS PUBLICATION "AS IS" WITHOUT WARRANTY OF ANY KIND, EITHER EXPRESS OR IMPLIED, INCLUDING, BUT NOT LIMITED TO, THE IMPLIED WARRANTIES OF NON-INFRINGEMENT, MERCHANTABILITY OR FITNESS FOR A PARTICULAR PURPOSE. Some jurisdictions do not allow disclaimer of express or implied warranties in certain transactions, therefore, this statement may not apply to you.

This information could include technical inaccuracies or typographical errors. Changes are periodically made to the information herein; these changes will be incorporated in new editions of the publication. Lenovo may make improvements and/or changes in the product(s) and/or the program(s) described in this publication at any time without notice.

The products described in this document are not intended for use in implantation or other life support applications where malfunction may result in injury or death to persons. The information contained in this document does not affect or change Lenovo product specifications or warranties. Nothing in this document shall operate as an express or implied license or indemnity under the intellectual property rights of Lenovo or third parties. All information contained in this document was obtained in specific environments and is presented as an illustration. The result obtained in other operating environments may vary.

Lenovo may use or distribute any of the information you supply in any way it believes appropriate without incurring any obligation to you.

Any references in this publication to non-Lenovo Web sites are provided for convenience only and do not in any manner serve as an endorsement of those Web sites. The materials at those Web sites are not part of the materials for this Lenovo product, and use of those Web sites is at your own risk.

Any performance data contained herein was determined in a controlled environment. Therefore, the result obtained in other operating environments may vary significantly. Some measurements may have been made on development-level systems and there is no guarantee that these measurements will be the same on generally available systems. Furthermore, some measurements may have been estimated through extrapolation. Actual results may vary. Users of this document should verify the applicable data for their specific environment.

Trademarks

The following terms are either registered trademarks or trademarks of Lenovo in the United States and/or other countries:

- Lenovo®
- Lenovo logo®
- IdeaPad®
- VeriFace®
- OneKey Rescue® (OneKey Recovery, OneKey Antivirus)
- APS®
- Power Express®
- Energy Management and ReadyComm®

The following terms are trademarks of Microsoft Corporation in the United States, other countries, or both:

- Windows®
- Windows Vista®
- Windows® 7

The following are trademarks of Intel Corporation or its subsidiaries in the United States, other countries, or both:

- Intel®
- Intel® Core™ 2 Duo

Other company, product, or service names may be the trademarks or service marks of others.

Free Manuals Download Website

<http://myh66.com>

<http://usermanuals.us>

<http://www.somanuals.com>

<http://www.4manuals.cc>

<http://www.manual-lib.com>

<http://www.404manual.com>

<http://www.luxmanual.com>

<http://aubethermostatmanual.com>

Golf course search by state

<http://golfingnear.com>

Email search by domain

<http://emailbydomain.com>

Auto manuals search

<http://auto.somanuals.com>

TV manuals search

<http://tv.somanuals.com>