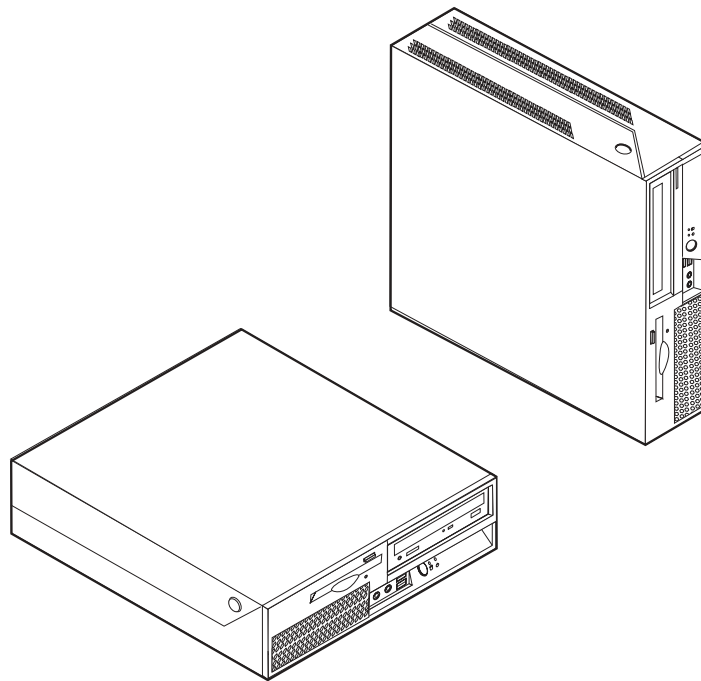


# ThinkCentre

## User Guide

Types 9300, 9301, 9636, 9638, 9640

Types 9641, 9642, 9643, 9644, 9645





# ThinkCentre

## User Guide

Types 9300, 9301, 9636, 9638, 9640

Types 9641, 9642, 9643, 9644, 9645

**Note**

Before using this information and the product it supports, be sure to read the "Important safety information" on page v and Appendix B, "Notices," on page 73.

**Fourth Edition (April 2007)**

**© Copyright Lenovo 2005, 2007.**

**Portions © Copyright International Business Machines Corporation 2005.**

**All rights reserved.**

U.S. GOVERNMENT USERS – RESTRICTED RIGHTS: Our products and/or services are provided with RESTRICTED RIGHTS. Use, duplication or disclosure by the Government is subject to the GSA ADP Schedule contract with Lenovo Group Limited, if any, or the standard terms of this commercial license, or if the agency is unable to accept this Program under these terms, then we provide this Program under the provisions set forth in Commercial Computer Software–Restricted Rights at FAR 52.227-19, when applicable, or under Rights in Data-General, FAR 52.227.14 (Alternate III).

# Contents

<b>Important safety information . . . . .</b>	<b>v</b>	Accessing system board components and drives . . . . .	22
Conditions that require immediate action . . . . .	v	Identifying parts on the system board . . . . .	23
General safety guidelines . . . . .	vi	Installing memory . . . . .	24
Service and upgrades . . . . .	vi	Installing PCI adapters . . . . .	25
Static electricity prevention . . . . .	vii	Installing internal drives . . . . .	26
Power cords and power adapters . . . . .	viii	Drive specifications . . . . .	27
Voltage-selection switch . . . . .	viii	Installing a drive in bay 2 . . . . .	28
Extension cords and related devices . . . . .	ix	Installing a diskette drive in bay 3 . . . . .	30
Plugs and outlets . . . . .	ix	Security features . . . . .	32
External devices . . . . .	ix	Integrated cable lock . . . . .	33
Batteries . . . . .	ix	Password protection . . . . .	33
Heat and product ventilation . . . . .	x	Changing the battery . . . . .	33
Operating environment . . . . .	xi	Erasing a lost or forgotten password (clearing CMOS) . . . . .	34
Electrical current safety information . . . . .	xi	Closing the cover and connecting the cables . . . . .	35
Lithium battery notice . . . . .	xii	<b>Chapter 4. Recovering software . . . . .</b>	<b>37</b>
Modem safety information . . . . .	xii	Creating and using the Product Recovery disc . . . . .	37
Laser compliance statement . . . . .	xiii	Performing backup and recovery operations . . . . .	38
Power supply statement . . . . .	xiii	Using the Rescue and Recovery workspace . . . . .	39
Data safety . . . . .	xiv	Creating and using rescue media . . . . .	40
Cleaning and maintenance . . . . .	xiv	Creating and using a Recovery Repair diskette . . . . .	41
Additional safety information . . . . .	xiv	Recovering or installing device drivers . . . . .	42
<b>Introduction . . . . .</b>	<b>xv</b>	Setting a rescue device in the startup sequence . . . . .	43
<b>Chapter 1. Arranging your workspace . . . . .</b>	<b>1</b>	Solving recovery problems . . . . .	43
Comfort . . . . .	1	<b>Chapter 5. Using the Setup Utility . . . . .</b>	<b>45</b>
Glare and lighting . . . . .	1	Starting the Setup Utility program . . . . .	45
Air circulation . . . . .	2	Viewing and changing settings . . . . .	45
Electrical outlets and cable lengths . . . . .	2	Using passwords . . . . .	45
<b>Chapter 2. Setting up your computer . . . . .</b>	<b>3</b>	Password considerations . . . . .	45
Connecting your computer . . . . .	3	User Password . . . . .	46
Turning on power . . . . .	8	Administrator Password . . . . .	46
Finishing the software installation . . . . .	8	Setting, changing, and deleting a password . . . . .	46
Completing important tasks . . . . .	8	Using Security Profile by Device . . . . .	46
Updating your operating system . . . . .	9	Selecting a startup device . . . . .	47
Installing other operating systems . . . . .	9	Selecting a temporary startup device . . . . .	47
Updating your antivirus software . . . . .	9	Changing the startup device sequence . . . . .	47
Shutting down the computer . . . . .	9	Advanced settings . . . . .	48
<b>Chapter 3. Installing options . . . . .</b>	<b>11</b>	Exiting from the Setup Utility program . . . . .	48
Features . . . . .	11	<b>Chapter 6. Updating system programs . . . . .</b>	<b>49</b>
Available options . . . . .	14	Using system programs . . . . .	49
Specifications . . . . .	15	Updating (flashing) BIOS from a diskette or CD-ROM . . . . .	49
Supported operating positions . . . . .	16	Updating (flashing) BIOS from your operating system . . . . .	50
Tools required . . . . .	16	Recovering from a POST/BIOS update failure . . . . .	50
Handling static-sensitive devices . . . . .	16	<b>Chapter 7. Troubleshooting and diagnostics . . . . .</b>	<b>53</b>
Installing external options . . . . .	17	Basic troubleshooting . . . . .	53
Locating controls and connectors on the front of your computer . . . . .	17	Diagnostic programs . . . . .	54
Locating connectors on the rear of your computer . . . . .	18	PC-Doctor for Windows . . . . .	55
Obtaining device drivers . . . . .	19		
Opening the cover . . . . .	20		
Locating components . . . . .	21		

PC-Doctor for DOS . . . . .	55
PC-Doctor for Windows PE . . . . .	57
Cleaning the mouse . . . . .	57
Optical mouse . . . . .	57
Non-optical mouse . . . . .	58

**Chapter 8. Getting information, help, and service. . . . . 61**

Information resources . . . . .	61
Online Books folder . . . . .	61
ThinkVantage Productivity Center . . . . .	61
Access Help . . . . .	62
Safety and Warranty . . . . .	62
www.lenovo.com . . . . .	62
Help and service . . . . .	62
Using the documentation and diagnostic programs . . . . .	63
Calling for service . . . . .	63

Using other services . . . . .	64
Purchasing additional services . . . . .	64

**Appendix A. Manual modem commands . . . . . 65**

Basic AT commands . . . . .	65
Extended AT commands . . . . .	67
MNP/V.42/V.42bis/V.44 commands . . . . .	68
Fax Class 1 commands . . . . .	69
Fax Class 2 commands . . . . .	69
Voice commands. . . . .	70

**Appendix B. Notices . . . . . 73**

Television output notice . . . . .	74
Trademarks . . . . .	74

**Index . . . . . 75**

---

## Important safety information

### Note

Please read important safety information first.

This information can help you safely use your desktop or notebook personal computer. Follow and retain all information included with your computer. The information in this document does not alter the terms of your purchase agreement or the Lenovo™ Statement of Limited Warranty. For more information, refer to the safety and warranty information that is provided with your computer.

Customer safety is important. Our products are developed to be safe and effective. However, personal computers are electronic devices. Power cords, power adapters, and other features can create potential safety risks that can result in physical injury or property damage, especially if misused. To reduce these risks, follow the instructions included with your product, observe all warnings on the product and in the operating instructions, and review the information included in this document carefully. By carefully following the information contained in this document and provided with your product, you can help protect yourself from hazards and create a safer computer work environment.

**Note:** This information includes references to power adapters and batteries. In addition to notebook computers, some products (such as speakers and monitors) ship with external power adapters. If you have such a product, this information applies to your product. In addition, computer products contain a coin-sized internal battery that provides power to the system clock even when the computer is unplugged, so the battery safety information applies to all computer products.

---

## Conditions that require immediate action

**Products can become damaged due to misuse or neglect. Some product damage is serious enough that the product should not be used again until it has been inspected and, if necessary, repaired by an authorized servicer.**

**As with any electronic device, pay close attention to the product when it is turned on. On very rare occasions, you might notice an odor or see a puff of smoke or sparks vent from your product. Or you might hear sounds like popping, cracking, or hissing. These conditions might merely mean that an internal electronic component has failed in a safe and controlled manner. Or, they might indicate a potential safety issue. However, do not take risks or attempt to diagnose the situation yourself. Contact the Customer Support Center for further guidance. For a list of Service and Support phone numbers, refer to the safety and warranty information that is provided with your computer.**

**Frequently inspect your computer and its components for damage, wear, or signs of danger. If you have any question about the condition of a component, do not use the product. Contact the Customer Support Center or the product manufacturer for instructions on how to inspect the product and have it repaired, if necessary.**

**In the unlikely event that you notice any of the following conditions, or if you have any safety concerns with your product, stop using the product and unplug it from the power source and telecommunication lines until you can speak to the Customer Support Center for further guidance. See Chapter 8, “Getting information, help, and service,” on page 61 for more information.**

- Power cords, plugs, power adapters, extension cords, surge protectors, or power supplies that are cracked, broken, or damaged.
- Signs of overheating, smoke, sparks, or fire.
- Damage to a battery (such as cracks, dents, or creases), discharge from a battery, or a buildup of foreign substances on the battery.
- A cracking, hissing, or popping sound, or strong odor that comes from the product.
- Signs that liquid has been spilled or an object has fallen onto the computer product, the power cord, or power adapter.
- The computer product, power cord, or power adapter has been exposed to water.
- The product has been dropped or damaged in any way.
- The product does not operate normally when you follow the operating instructions.

**Note:** If you notice these conditions with a product (such as an extension cord) that is not manufactured for or by Lenovo, stop using that product until you can contact the product manufacturer for further instructions, or until you get a suitable replacement.

---

## General safety guidelines

Always observe the following precautions to reduce the risk of injury and property damage.

### Service and upgrades

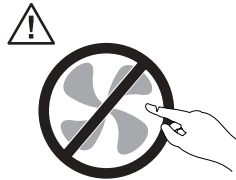
Do not attempt to service a product yourself unless instructed to do so by the Customer Support Center or your documentation. Only use a service provider who is approved to repair your particular product.

**Note:** Some computer parts can be upgraded or replaced by the customer. Upgrades typically are referred to as options. Replacement parts approved for customer installation are referred to as Customer Replaceable Units, or CRUs. Lenovo provides documentation with instructions when it is appropriate for customers to install options or replace CRUs. You must closely follow all instructions when installing or replacing parts. The Off state of a power indicator does not necessarily mean that voltage levels inside a product are zero. Before you remove the covers from a product equipped with an ac power cord, always make sure that the power is turned off and that the product is unplugged from any power source. If you have any questions or concerns, contact the Customer Support Center.

Although there are no moving parts in your computer after the power cord has been disconnected, the following warnings are required for your safety.



### Danger



**Hazardous moving parts. Keep fingers and other body parts away.**

### Attention



**Before replacing any CRUs, turn off the computer and wait three to five minutes to let the computer cool before opening the cover.**

## Static electricity prevention

Static electricity, although harmless to you, can seriously damage computer components and options. Improper handling of static-sensitive parts can cause damage to the part. When you unpack an option or CRU, do not open the static-protective package containing the part until the instructions direct you to install it.

When you handle options or CRUs, or perform any work inside the computer, take the following precautions to avoid static-electricity damage:

- Limit your movement. Movement can cause static electricity to build up around you.
- Always handle components carefully. Handle adapters, memory modules, and other circuit boards by the edges. Never touch exposed circuitry.
- Prevent others from touching components.
- When you install a static-sensitive option or CRU, touch the static-protective package containing the part to a metal expansion-slot cover or other unpainted metal surface on the computer for at least two seconds. This reduces static electricity in the package and your body.
- When possible, remove the static-sensitive part from the static-sensitive packaging and install the part without setting it down. When this is not possible, place the static-sensitive packaging on a smooth, level surface and place the part on it.
- Do not place the part on the computer cover or other metal surface.

## Power cords and power adapters

Use only the power cords and power adapters supplied by the product manufacturer.

The power cords shall be safety approved. For Germany, it shall be H05VV-F, 3G, 0.75 mm<sup>2</sup>, or better. For other countries, the suitable types shall be used accordingly.

Never wrap a power cord around a power adapter or other object. Doing so can stress the cord in ways that can cause the cord to fray, crack, or crimp. This can present a safety hazard.

Always route power cords so that they will not be walked on, tripped over, or pinched by objects.

Protect power cord and power adapters from liquids. For instance, do not leave your power cord or power adapter near sinks, tubs, toilets, or on floors that are cleaned with liquid cleansers. Liquids can cause a short circuit, particularly if the power cord or power adapter has been stressed by misuse. Liquids also can cause gradual corrosion of power cord terminals and/or the connector terminals on a power adapter, which can eventually result in overheating.

Always connect power cords and signal cables in the correct order and ensure that all power cord connectors are securely and completely plugged into receptacles.

Do not use any power adapter that shows corrosion at the ac input pins or shows signs of overheating (such as deformed plastic) at the ac input or anywhere on the power adapter.

Do not use any power cords where the electrical contacts on either end show signs of corrosion or overheating or where the power cord appears to have been damaged in any way.

## Voltage-selection switch

Some computers are equipped with a voltage-selection switch located near the power-cord connection point on the computer. If your computer has a voltage-selection switch, ensure that you set the switch to match the voltage available at your electrical outlet. Setting the voltage-selection switch incorrectly can cause permanent damage to the computer.

If your computer does not have a voltage-selection switch, your computer is designed to operate only at the voltage provided in the country or region where the computer was originally purchased.

If you relocate your computer to another country, be aware of the following:

- If your computer does not have a voltage-selection switch, do not connect the computer to an electrical outlet until you have verified that the voltage provided is the same as it was in the country or region where the computer was originally purchased.
- If your computer has a voltage selection switch, do not connect the computer to an electrical outlet until you have verified that the voltage-selection switch is set to match the voltage provided in that country or region.

If you are not sure of the voltage provided at your electrical outlet, contact your local electric company or refer to official Web sites or other literature for travelers to the country or region where you are located.

## **Extension cords and related devices**

Ensure that extension cords, surge protectors, uninterruptible power supplies, and power strips that you use are rated to handle the electrical requirements of the product. Never overload these devices. If power strips are used, the load should not exceed the power strip input rating. Consult an electrician for more information if you have questions about power loads, power requirements, and input ratings.

## **Plugs and outlets**

If a receptacle (power outlet) that you intend to use with your computer equipment appears to be damaged or corroded, do not use the outlet until it is replaced by a qualified electrician.

Do not bend or modify the plug. If the plug is damaged, contact the manufacturer to obtain a replacement.

Do not share an electrical outlet with other home or commercial appliances that draw large amounts of electricity; otherwise, unstable voltage might damage your computer, data, or attached devices.

Some products are equipped with a three-pronged plug. This plug fits only into a grounded electrical outlet. This is a safety feature. Do not defeat this safety feature by trying to insert it into a non-grounded outlet. If you cannot insert the plug into the outlet, contact an electrician for an approved outlet adapter or to replace the outlet with one that enables this safety feature. Never overload an electrical outlet. The overall system load should not exceed 80 percent of the branch circuit rating. Consult an electrician for more information if you have questions about power loads and branch circuit ratings.

Be sure that the power outlet you are using is properly wired, easily accessible, and located close to the equipment. Do not fully extend power cords in a way that will stress the cords.

Be sure that the power outlet provides the correct voltage and current for the product you are installing.

Carefully connect and disconnect the equipment from the electrical outlet.

## **External devices**

Do not connect or disconnect any external device cables other than USB and 1394 cables while the computer power is on; otherwise, you might damage your computer. To avoid possible damage to attached devices, wait at least five seconds after the computer is shut down to disconnect external devices.

## **Batteries**

All personal computers manufactured by Lenovo contain a non-rechargeable coin cell battery to provide power to the system clock. In addition, many mobile products, such as notebook computers, utilize a rechargeable battery pack to

provide system power when in portable mode. Batteries supplied by Lenovo for use with your product have been tested for compatibility and should only be replaced with approved parts.

Never attempt to open or service any battery. Do not crush, puncture, or incinerate batteries or short circuit the metal contacts. Do not expose the battery to water or other liquids. Only recharge the battery pack strictly according to instructions included in the product documentation.

Battery abuse or mishandling can cause the battery to overheat, which can cause gasses or flame to “vent” from the battery pack or coin cell. If your battery is damaged, or if you notice any discharge from your battery or the buildup of foreign materials on the battery leads, stop using the battery and obtain a replacement from the battery manufacturer.

Batteries can degrade when they are left unused for long periods of time. For some rechargeable batteries (particularly Lithium Ion batteries), leaving a battery unused in a discharged state could increase the risk of a battery short circuit, which could shorten the life of the battery and can also pose a safety hazard. Do not let rechargeable Lithium-Ion batteries completely discharge or store these batteries in a discharged state.

## Heat and product ventilation

Computers generate heat when turned on and when batteries are charging. Notebook computers can generate a significant amount of heat due to their compact size. Always follow these basic precautions:

- Do not leave the base of your notebook computer in contact with your lap or any part of your body for an extended period when the computer is functioning or when the battery is charging. Your computer produces some heat during normal operation. Extended contact with the body could cause discomfort or, potentially, a skin burn.
- Do not operate your computer or charge the battery near flammable materials or in explosive environments.
- Ventilation slots, fans, and/or heat sinks are provided with the product for safety, comfort, and reliable operation. These features might inadvertently become blocked by placing the product on a bed, sofa, carpet, or other flexible surface. Never block, cover, or disable these features.

You should inspect your desktop computer for dust accumulation at least once every three months. Before inspecting your computer, turn off the power and unplug the computer's power cord from the electrical outlet; then remove any dust from vents and perforations in the bezel. If you notice external dust accumulation, you should also examine and remove dust from the inside of the computer including heat sink inlet fins, power supply vents, and fans. Always turn off and unplug the computer before opening the cover. If possible, avoid operating your computer within 2 feet of high-traffic areas. If you must operate your computer in or near a high-traffic area, you should inspect and, if necessary, clean your computer more frequently.

For your safety and to maintain optimum computer performance, always follow these basic precautions with your desktop computer:

- Keep the cover closed whenever the computer is plugged in.
- Regularly inspect the outside of the computer for dust accumulation.

- Remove dust from vents and any perforations in the bezel. More frequent cleanings might be required for computers in dusty or high-traffic areas.
- Do not restrict or block any ventilation openings.
- Do not store or operate your computer inside furniture, as this might increase the risk of overheating.
- Airflow temperatures into the computer should not exceed 35° C (95° F).
- Do not use non-desktop air filtration devices.

## Operating environment

The optimal environment in which to use your computer is 10°C-35°C (50°F-95°F) with humidity ranging between 35% and 80%. If your computer is stored or transported in temperatures less than 10°C (50°F), allow the cold computer to rise slowly to an optimal operating temperature of 10°C-35°C (50°F-95°F) before use. This process could take two hours in extreme conditions. Failure to allow your computer to rise to an optimal operating temperature before use could result in irreparable damage to your computer.

If possible, place your computer in a well-ventilated and dry area without direct exposure to sunshine.

Keep electrical appliances such as an electric fan, radio, high-powered speakers, air conditioner, and microwave oven away from your computer because the strong magnetic fields generated by these appliances can damage the monitor and data on the hard disk drive.

Do not place any beverages on top of or beside the computer or other attached devices. If liquid is spilled on or in the computer or an attached device, a short circuit or other damage might occur.

Do not eat or smoke over your keyboard. Particles that fall into your keyboard can cause damage.

---

## Electrical current safety information

### **Danger**

**Electrical current from power, telephone, and communication cables is hazardous.**

### **To avoid a shock hazard:**

- **To prevent possible shock hazard, do not use your computer during a lightning storm.**
- **Do not connect or disconnect any cables or perform installation, maintenance, or reconfiguration of this product during an electrical storm.**
- **Connect all power cords to a properly wired and grounded electrical outlet.**
- **Connect to properly wired outlets any equipment that will be attached to this product.**
- **When possible, use one hand only to connect or disconnect signal cables.**
- **Never turn on any equipment when there is evidence of fire, water, or structural damage.**

- **Disconnect the attached power cords, telecommunications systems, networks, and modems before you open the device covers, unless instructed otherwise in the installation and configuration procedures.**
- **Connect and disconnect cables as described in the following table when installing, moving, or opening covers on this product or attached devices.**

<b>To connect:</b>	<b>To disconnect:</b>
<ol style="list-style-type: none"> <li>1. Turn everything OFF.</li> <li>2. First, attach all cables to devices.</li> <li>3. Attach signal cables to connectors.</li> <li>4. Attach power cords to outlet.</li> <li>5. Turn device ON.</li> </ol>	<ol style="list-style-type: none"> <li>1. Turn everything OFF.</li> <li>2. First, remove power cords from outlet.</li> <li>3. Remove signal cables from connectors.</li> <li>4. Remove all cables from devices.</li> </ol>

---

## Lithium battery notice

**Caution**  
**Danger of explosion if battery is incorrectly replaced.**

When replacing the lithium coin cell battery, use only the same or an equivalent type that is recommended by the manufacturer. The battery contains lithium and can explode if not properly used, handled, or disposed of.

**Do not:**

- Throw or immerse into water
- Heat to more than 100°C (212°F)
- Repair or disassemble

Dispose of the battery as required by local ordinances or regulations.

The following statement applies to users in the state of California, U.S.A.

Perchlorate material: Special handling may apply. See [www.dtsc.ca.gov/hazardouswaste/perchlorate](http://www.dtsc.ca.gov/hazardouswaste/perchlorate).

---

## Modem safety information

**Caution**  
**To reduce the risk of fire, use only No. 26 AWG or larger telecommunication line cord.**

To reduce the risk of fire, electrical shock, or injury when using telephone equipment, always follow basic safety precautions, such as:

- Never install telephone wiring during a lightning storm.
- Never install telephone jacks in wet locations unless the jack is specifically designed for wet locations.
- Never touch uninsulated telephone wires or terminals unless the telephone line has been disconnected at the network interface.
- Use caution when installing or modifying telephone lines.

- Avoid using a telephone (other than a cordless type) during an electrical storm. There may be a remote risk of electric shock from lightning.
- Do not use the telephone to report a gas leak in the vicinity of the leak.

---

## Laser compliance statement

Some personal computer models are equipped from the factory with a CD or DVD drive. CD and DVD drives are also sold separately as options. CD and DVD drives are laser products. These drives are certified in the U.S. to conform to the requirements of the Department of Health and Human Services 21 Code of Federal Regulations (DHHS 21 CFR) Subchapter J for Class 1 laser products. Elsewhere, these drives are certified to conform to the requirements of the International Electrotechnical Commission (IEC) 60825-1 and CENELEC EN 60 825-1 for Class 1 laser products.

When a CD or DVD drive is installed, note the following handling instructions.

**Caution**

**Use of controls or adjustments or performance of procedures other than those specified herein might result in hazardous radiation exposure.**

**Do not remove the drive covers.** Removing the covers of the CD or DVD drive could result in exposure to hazardous laser radiation. There are no serviceable parts inside the CD or DVD drive.

Some CD and DVD drives contain an embedded Class 3A or Class 3B laser diode. Note the following statement.

**Danger**

**Laser radiation when open. Do not stare into the beam, do not view directly with optical instruments, and avoid direct exposure to the beam.**

---

## Power supply statement

Never remove the cover on a power supply or any part that has the following label attached.



Hazardous voltage, current, and energy levels are present inside any component that has this label attached. There are no serviceable parts inside these components. If you suspect a problem with one of these parts, contact a service technician.

---

## Data safety

Do not delete unknown files or change the name of files or directories that were not created by you; otherwise, your computer software might fail to work.

Be aware that accessing network resources can leave your computer vulnerable to computer viruses, hackers, spyware, and other malicious activities that might damage your computer, software, or data. It is your responsibility to ensure that you have adequate protection in the form of firewalls, antivirus software, and anti-spyware software and keep this software up to date.

---

## Cleaning and maintenance

Keep your computer and workspace clean. Shut down the computer and then disconnect the power cord before cleaning the computer. Do not spray any liquid detergent directly on the computer or use any detergent containing flammable material to clean the computer. Spray the detergent on a soft cloth and then wipe the computer surfaces.

---

## Additional safety information

Plastic bags can be dangerous. Keep plastic bags away from babies and children to avoid danger of suffocation.



---

## Introduction

This *User Guide* contains the following information:

- Chapter 1, “Arranging your workspace,” on page 1 provides information about setting up your computer for comfort and the impact of light sources, air circulation, and electrical outlets.
- Chapter 2, “Setting up your computer,” on page 3 provides information about setting up your computer and software and operating system installation.
- Chapter 3, “Installing options,” on page 11 provides information on the features and options that are available for your computer.
- Chapter 4, “Recovering software,” on page 37 provides instructions on how to use the ThinkVantage® Rescue and Recovery™ program to create product recovery disks, back up data, recover software, and restore the entire contents of your hard disk to a previously saved state.
- Chapter 5, “Using the Setup Utility,” on page 45 provides instructions on how to view and change the configuration settings of your computer.
- Chapter 6, “Updating system programs,” on page 49 provides information about updating POST/BIOS and how to recover from a POST/BIOS update failure.
- Chapter 7, “Troubleshooting and diagnostics,” on page 53 provides information about basic troubleshooting and diagnostic tools for your computer.
- Chapter 8, “Getting information, help, and service,” on page 61 provides information about the wide variety of helpful resources available from Lenovo.
- Appendix A, “Manual modem commands,” on page 65 provides commands for manually programming your modem.
- Appendix B, “Notices,” on page 73 provides notices and trademark information.



---

## Chapter 1. Arranging your workspace

To get the most from your computer, arrange both the equipment you use and your work area to suit your needs and the kind of work you do. Your comfort is of foremost importance, but light sources, air circulation, and the location of electrical outlets also can affect the way you arrange your workspace.

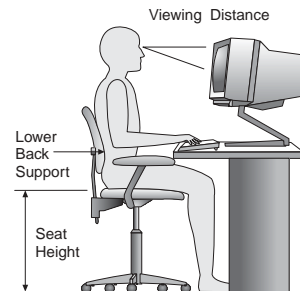
---

### Comfort

Although no single working position is ideal for everyone, here are a few guidelines to help you find a position that suits you best.

Sitting in the same position for a long time can cause fatigue. A good chair can make a big difference. The backrest and seat should adjust independently and provide good support. The seat should have a curved front to relieve pressure on the thighs. Adjust the seat so that your thighs are parallel to the floor and your feet are either flat on the floor or on a footrest.

When using the keyboard, keep your forearms parallel to the floor and your wrists in a neutral, comfortable position. Try to keep a light touch on the keyboard and your hands and fingers relaxed. You can change the angle of the keyboard for maximum comfort by adjusting the position of the keyboard feet.



Adjust the monitor so the top of the screen is at, or slightly below, eye level. Place the monitor at a comfortable viewing distance, usually 51 to 61 cm (20 to 24 in.), and position it so you can view it without having to twist your body. Also position other equipment you use regularly, such as the telephone or a mouse, within easy reach.

---

### Glare and lighting

Position the monitor to minimize glare and reflections from overhead lights, windows, and other light sources. Even reflected light from shiny surfaces can cause annoying reflections on your monitor screen. Place the monitor at right angles to windows and other light sources, when possible. Reduce overhead lighting, if necessary, by turning off lights or using lower wattage bulbs. If you install the monitor near a window, use curtains or blinds to block the sunlight. You might have to adjust the brightness and contrast controls on the monitor as the room lighting changes throughout the day.

Where it is impossible to avoid reflections or to adjust the lighting, an antiglare filter placed over the screen might be helpful. However, these filters might affect the clarity of the image on the screen; try them only after you have exhausted other methods of reducing glare.

Dust buildup compounds problems associated with glare. Remember to clean your monitor screen periodically using a soft cloth moistened with a nonabrasive liquid glass cleaner.

---

## Air circulation

Your computer and monitor produce heat. The computer has a fan that pulls in fresh air and forces out hot air. The monitor lets hot air escape through vents. Blocking the air vents can cause overheating, which might result in a malfunction or damage. Place the computer and monitor so that nothing blocks the air vents; usually, 51 mm (2 in.) of air space is sufficient. Also, make sure the vented air is not blowing on someone else.

---

## Electrical outlets and cable lengths

The location of electrical outlets and the length of power cords and cables that connect to the monitor, printer, and other devices might determine the final placement of your computer.

When arranging your workspace:

- Avoid the use of extension cords. When possible, plug the computer power cord directly into an electrical outlet.
- Keep power cords and cables neatly routed away from walkways and other areas where they might get kicked accidentally.

For more information about power cords, see “Power cords and power adapters” on page viii and the safety and warranty information that is provided with your computer.

---

## Chapter 2. Setting up your computer

Before you begin, make sure you set up your computer in the best possible work area that suits your needs and the kind of work you do. For more information, refer to Chapter 1, “Arranging your workspace,” on page 1.

**Note:** Read “Important safety information” on page v before you set up your computer. The precautions and guidelines will help you work safely.

---

### Connecting your computer

Use the following information when connecting your computer. Look for the small connector icons on the back of your computer.

#### **Important**

Setting the voltage-selection switch incorrectly can cause permanent damage to the computer.

If you are not sure of the voltage provided at your electrical outlet, contact your local electric company or refer to official Web sites or other literature for travelers to the country or region where you are located.

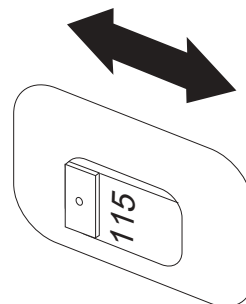
**Note:** Your computer might not have all of the switches or connectors described in this section.

If your computer cables and connector panel have color-coded connectors, match the color of the cable end with the color of the connector. For example, match a blue cable end with a blue connector or a red cable end with a red connector.

1. Some models are equipped with a voltage-selection switch located near the power-cord connection point on the computer.

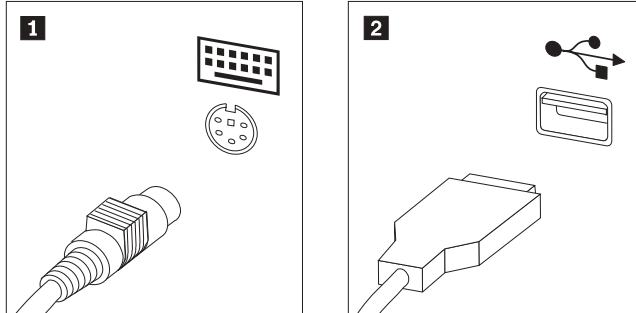
If your computer has a voltage-selection switch, ensure that you set the voltage-selection switch to match the voltage available at your electrical outlet. If necessary, use a ballpoint pen to slide the switch to a different position.

- If the voltage supply range in your local country or region is 100–127 V ac, set the switch to 115 V.
- If the voltage supply range in your local country or region is 200–240 V ac, set the switch to 230 V.



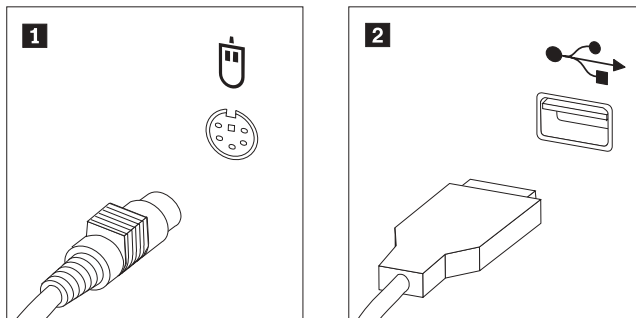
If your computer does not have a voltage selection switch, it is designed to operate only at the voltage provided in the country or region where it was originally purchased. Continue with step 2.

2. Your keyboard cable might have a standard keyboard connector **1** or a Universal Serial Bus (USB) connector **2**. Connect the keyboard cable to the appropriate keyboard connector.

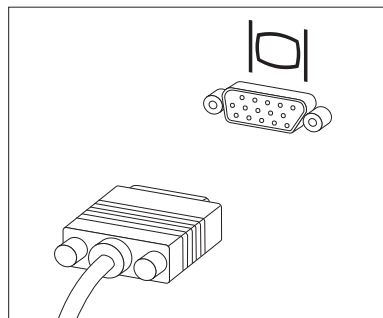


**Note:** Some models will have keyboards with a fingerprint reader. After you setup and turn on your computer, refer to the Access Help online help system for information about your fingerprint reader. See “Access Help” on page 62 for instructions on how to open the online help system.

3. Your mouse cable might have a standard mouse connector **1** or a USB connector **2**. Connect the mouse cable to the appropriate mouse connector.

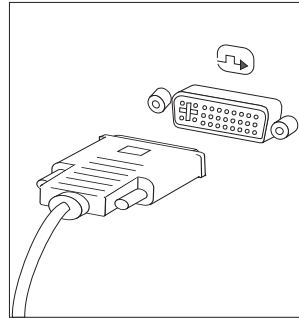


4. Connect the monitor cable to the monitor connector on the computer.
  - If you have a Video Graphics Array (VGA) Standard monitor, connect the cable to the connector as shown.



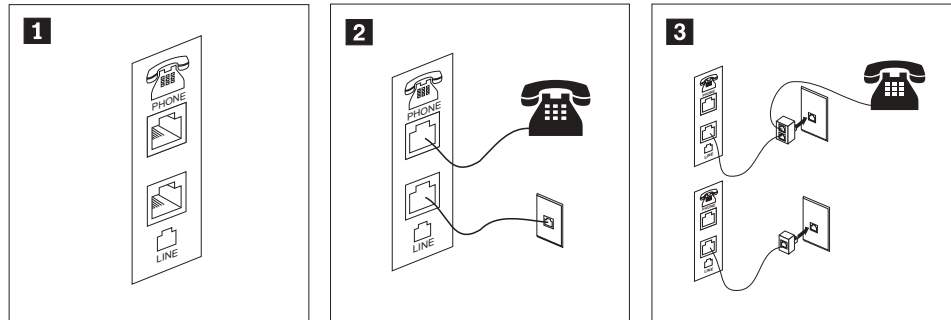
**Note:** If your model has two monitor connectors, be sure to use the connector on the accelerated graphics port (AGP) adapter.

- If you have a digital video interface (DVI) monitor, connect the cable to the connector as shown.



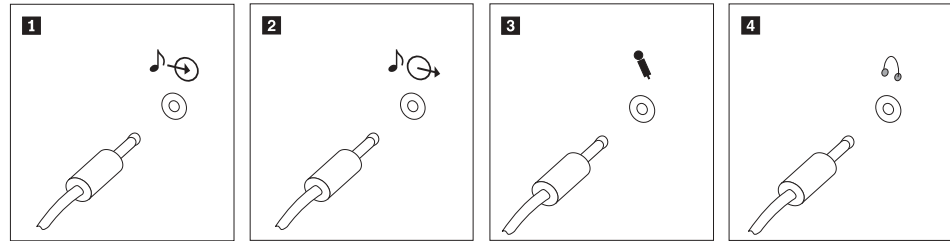
**Note:** Your computer must have an adapter installed that supports the DVI monitor.

5. If you have a modem, connect the modem using the following information.



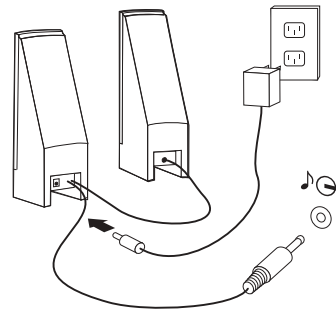
- 1** This illustration shows the two connections on the back of the computer that are needed to set up your modem.
- 2** In the United States and other countries or regions that use the RJ-11 telephone outlet, attach one end of the telephone cable to the telephone and the other end to the telephone connector on the back of the computer. Attach one end of the modem cable to the modem connector on the back of the computer and the other end to the telephone outlet.
- 3** In countries or regions that do not use RJ-11 telephone outlets, a splitter or converter is required to attach the cables to the telephone outlet, as shown at the top of the illustration. You also can use the splitter or converter without the telephone, as shown at the bottom of the illustration.

6. If you have audio devices, attach them using the following instructions. For more information about speakers, see steps 7 and 8.

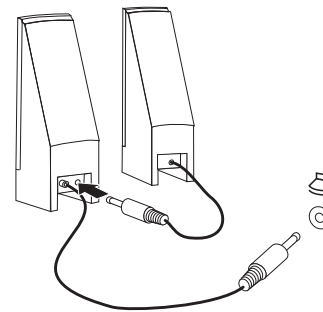


- |          |                |                                                                                                                                                                                                    |
|----------|----------------|----------------------------------------------------------------------------------------------------------------------------------------------------------------------------------------------------|
| <b>1</b> | Audio line-in  | This connector receives audio signals from an external audio device, such as a stereo system.                                                                                                      |
| <b>2</b> | Audio line-out | This connector sends audio signals from the computer to external devices, such as powered stereo speakers.                                                                                         |
| <b>3</b> | Microphone     | Use this connector to attach a microphone to your computer when you want to record sound or if you use speech-recognition software.                                                                |
| <b>4</b> | Headphone      | Use this connector to attach headphones to your computer when you want to listen to music or other sounds without disturbing anyone. This connector might be located on the front of the computer. |

7. If you have *powered* speakers with an ac adapter, use the following instructions.



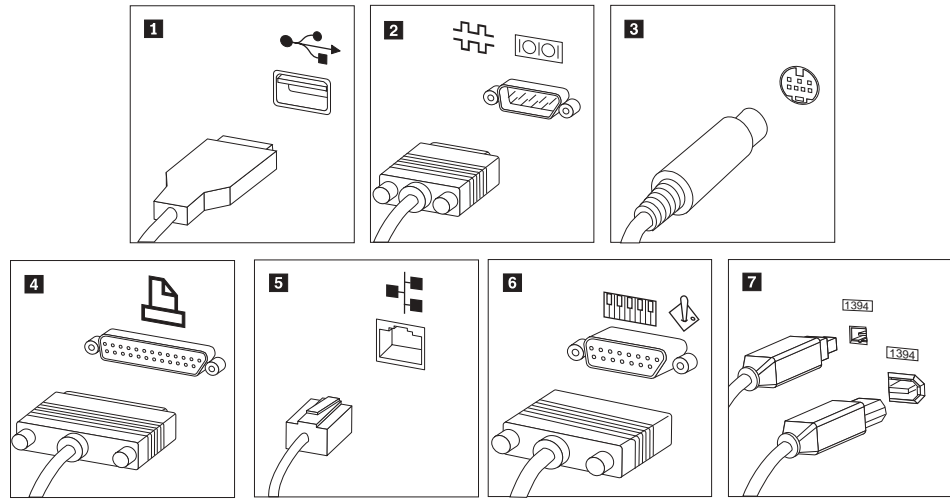
- a. Connect the cable that runs between the speakers, if necessary. On some speakers, this cable is permanently attached.
  - b. Connect the ac adapter cable to the speaker.
  - c. Connect the speakers to the computer.
  - d. Connect the ac adapter to the ac power source.
8. If you have *unpowered* speakers with no ac adapter, use the following instructions.



- a. Connect the cable that runs between the speakers, if necessary. On some speakers, this cable is permanently attached.

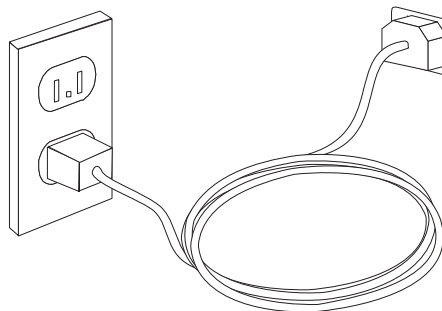


- b. Connect the speakers to the computer.
9. Connect any additional devices that you have. Your computer might not have all connectors that are shown.



- 1** USB Use this connector to attach a device that requires a USB connection, such as a keyboard, mouse, scanner, printer, or personal digital assistant (PDA).
- 2** Serial Use this connector to attach an external modem, serial printer, or other device that uses a 9-pin serial connector.
- 3** S-video Use this connector to attach a television set that has an S-Video connector. This connector is present on some high-performance video adapters.
- 4** Parallel Use this connector to attach a parallel printer or any other device that requires a 25-pin parallel connection.
- 5** Ethernet Use this connector to attach the computer to an Ethernet-type local area network or to a cable modem.
- 6** MIDI/joystick Use this connector to attach a joystick, gamepad, or a musical instrument digital interface (MIDI) device such as a MIDI keyboard.
- 7** IEEE 1394 This connector is sometimes called Firewire because it transmits data rapidly. There are two types of IEEE 1394 connectors: the 4-pin and the 6-pin. IEEE 1394 offers connection to several types of consumer electronics, including digital audio devices and scanners.

10. Connect the power cords to properly grounded electrical outlets.



**Note:** Refer to the Access Help online help system for more information about connectors. See “Access Help” on page 62 for instructions on how to open the online help system.

---

## Turning on power

Turn on the monitor and other external devices first, and then turn on the computer. When the power-on self-test (POST) is finished, the logo window closes. If your computer has preinstalled software, the software installation program starts.

If you experience any problems during startup, see Chapter 7, “Troubleshooting and diagnostics,” on page 53. For additional help, refer to Chapter 8, “Getting information, help, and service,” on page 61. You can get help and information by telephone through the Customer Support Center. Refer to the safety and warranty information that is provided with your computer for the Service and Support worldwide telephone list.

---

## Finishing the software installation

### **Important**

Read the license agreements carefully before using the programs on this computer. These agreements detail your rights, obligations, and warranties for the software on this computer. By using these programs, you accept the terms of the agreements. If you do not accept the agreements, do not use the programs. Instead, promptly return the entire computer for a full refund.

After you start the computer for the first time, follow the instructions on the screen to complete the software installation. If you do not complete the software installation the first time the computer is turned on, unpredictable results might occur. When the installation is complete, refer to the Access Help online help system to learn more about your computer. See “Access Help” on page 62 for instructions on how to open the online help system.

**Note:** Some models might have a multilingual version of Microsoft® Windows® operating system preinstalled. If your computer has the multilingual version, you will be prompted to choose a language during the initial installation process. After installation, the language version can be changed through the Windows Control Panel.

---

## Completing important tasks

After you have set up your computer, perform the following tasks, which will save you time and trouble later:

- Create a diagnostic CD image, diagnostic diskettes, or rescue media. Diagnostic programs are used to test hardware components of your computer and report operating-system-controlled settings that can cause hardware failures. Making a diagnostic CD image, diagnostic diskettes, or rescue media ahead of time assures that you will be able to run diagnostics if the Rescue and Recovery workspace becomes inaccessible. For more information, see “PC-Doctor for DOS” on page 55 or “PC-Doctor for Windows PE” on page 57.

- Record your computer machine type, model, and serial number. If you need service or technical support, you will probably be asked for this information. For further information, see the safety and warranty information that is provided with your computer.

---

## Updating your operating system

Microsoft makes updates available for various operating systems through the Microsoft Windows Update Web site. The Web site automatically determines what Windows updates are available for your specific computer and lists those updates only. Updates could include security fixes, new versions of Windows components (such as media player), fixes to other portions of the Windows operating system, or enhancements.

Refer to the Access Help online help system for more information about updating your operating system. See “Access Help” on page 62 for instructions on how to open the online help system.

---

## Installing other operating systems

If you install your own operating system, follow the instructions that come with your operating system CDs or diskettes. Remember to install all device drivers after you install your operating system. Installation instructions are usually provided with the device drivers.

---

## Updating your antivirus software

Your computer comes with antivirus software you can use to detect and eliminate viruses. Lenovo provides a full version of antivirus software on your hard disk with a free 90-day subscription. After 90 days, you must get a new virus definition.

Refer to the Access Help online help system for more information about updating your antivirus software. See “Access Help” on page 62 for instructions on how to open the online help system.

---

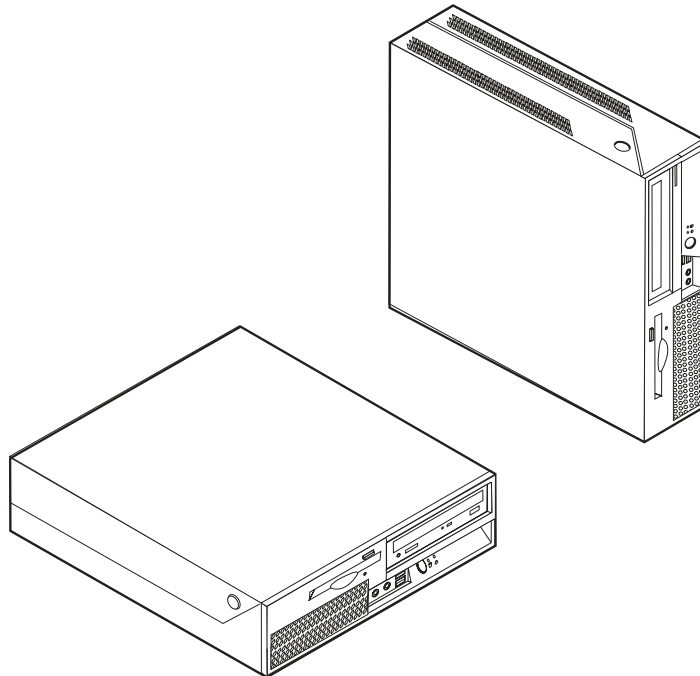
## Shutting down the computer

When you are ready to turn off your computer, always follow the shutdown procedure for your operating system. This prevents the loss of unsaved data or damage to your software programs. To shut down the Microsoft Windows operating system, open the Start menu from the Windows desktop, click **Shut Down**. Select **Shut Down** from the drop down menu and click **OK**.



---

## Chapter 3. Installing options



This chapter provides an introduction to the features and options that are available for your computer. You can expand the capabilities of your computer by adding memory, adapters, or drives. When installing an option, use these instructions along with the instructions that come with the option.

### **Important**

Before you install or remove any option, read “Important safety information” on page v. These precautions and guidelines will help you work safely.

**Note:** Use only the parts provided by Lenovo.

---

## Features

This section provides an overview of the computer features and preinstalled software.

### **System information**

The following information covers a variety of models. For information for your specific model, use the Setup Utility. See Chapter 5, “Using the Setup Utility,” on page 45.

### **Microprocessor**

- Intel® Pentium® 4 processor with HyperThreading Technology
- Intel Pentium D processor

- Intel Celeron<sup>®</sup> D processor
- Intel Core<sup>™</sup> 2 Duo processor
- Internal cache (size varies by model type)

### **Memory**

- Support for two double data rate 2 dual inline memory modules (DDR2 DIMMs)
- Flash memory for system programs (varies by model type)

### **Internal drives**

- 3.5-inch, half-inch (slim) diskette drive (some models)
- Serial Advanced Technology Attachment (SATA) internal hard disk drive
- Optical drive (some models)

### **Video subsystem**

- An integrated graphics controller for a Video Graphics Array (VGA) monitor
- Intel Graphics Media Accelerator 3000

### **Audio subsystem**

- HD with ADI 1986A Audio Codec
- Microphone and headphone connectors on the front panel
- Line in and line out connectors on the rear panel
- Mono internal speaker (some models)

### **Connectivity**

- 10/100/1000 Mbps integrated Ethernet controller
- Peripheral Component Interconnect (PCI) V.90 Data/Fax modem (some models)

### **System management features**

- Preboot Execution Environment (PXE) and Dynamic Host Configuration Protocol (DHCP)
- Wake on LAN<sup>®</sup>
- Wake on Ring (in the Setup Utility program, this feature is called Serial Port Ring Detect for an external modem)
- Remote Administration
- Automatic power-on startup
- System Management (SM) BIOS and SM software
- Ability to store power-on self-test (POST) hardware test results

### **Input/output features**

- 25-pin Extended Capabilities Port (ECP)/Extended Parallel Port (EPP)
- 9-pin serial connector
- Eight USB connectors (two on front panel and six on rear panel)
- Ethernet connector
- VGA monitor connector
- Two audio connectors (line in and line out) on rear panel
- Two audio connectors (microphone and headphone) on front panel

### **Expansion**

- Three drive bays
- One 32-bit PCI adapter connector
- One PCI Express x1 adapter connector

### **Power**

- 225 Watt power supply with manual voltage selection switch (some models)
- Automatic 50/60 Hz input frequency switching
- Advanced Configuration and Power Interface (ACPI) support

### **Security features**

- User and administrator passwords for BIOS access
- Support for the addition of an integrated cable lock (Kensington lock)
- Keyboard with fingerprint reader (some models, see the ThinkVantage Productivity Center program for more information)
- Cover presence switch (some models)
- Startup sequence control
- Startup without diskette drive, keyboard, or mouse
- Unattended start mode
- Diskette and hard disk I/O control
- Serial and parallel port I/O control
- Security profile by device

### **Preinstalled software**

Your computer might come with preinstalled software. If it does, an operating system, device drivers to support built-in features, and other support programs are included.

### **Operating systems, preinstalled** (varies by model)

**Note:** Not all countries or regions have these operating systems.

- Microsoft Windows XP Home
- Microsoft Windows XP Professional
- Microsoft Windows Vista™

### **Operating systems, certified or tested for compatibility<sup>1</sup>** (varies by model) Linux®

---

1. The operating systems listed here are being certified or tested for compatibility at the time this publication goes to press. Additional operating systems might be identified by Lenovo as compatible with your computer following the publication of this booklet. Corrections and additions to this list are subject to change. To determine if an operating system has been certified or tested for compatibility, check the Web site of the operating system vendor.

---

## Available options

The following are some available options:

- External options
  - Parallel port devices, such as printers and external drives
  - Serial port devices, such as external modems and digital cameras
  - Audio devices, such as external speakers for the sound system
  - USB devices, such as printers, joysticks, and scanners
  - Security devices, such as an integrated cable lock
  - Monitors
- Internal options
  - System memory, called dual inline memory modules (DIMMs)
  - Peripheral component interconnect (PCI) adapter
  - PCI Express x1 adapter
  - Optical drive, such as CD drives and DVD drives (some models)
  - Hard disk drive

For the latest information about available options, see the Lenovo Web site at <http://www.lenovo.com/> or contact your reseller or marketing representative.



## Specifications

This section lists the physical specifications for your computer.

### Dimensions

Width: 310 mm (12.2 in.)

Height: 85 mm (3.35 in.)

Depth: 358 mm (14.1 in.)

### Weight

Minimum configuration as shipped: 7.3 kg (16 lbs)

Maximum configuration: 8.5 kg (18.7 lbs)

### Environment

Air temperature:

Operating at 0 - 3000 ft (914.4 m): 10° to 35°C (50° to 95°F)

Operating at 3000 ft - 7000 ft (2134 m): 10° to 32°C (50° to 89.6°F)

Non-operating: 10° to 43°C (50° to 110°F)

Humidity:

Operating: 10% to 80%

Non-operating: 10% to 90%

Transit: 10% to 90%

Maximum altitude: 7000 ft (2133.6 m)

**Electrical input:** Some models have a switchable power supply that supports both low and high input voltage ranges. Some models do not have a switch and support only a low or high input voltage range. See “Voltage-selection switch” on page viii for additional information.

Input voltage:

Low range:

Minimum: 100 V ac

Maximum: 127 V ac

Input frequency: 50/60 Hz

Voltage switch setting: 115 V ac (some models)

High range:

Minimum: 200 V ac

Maximum: 240V ac

Input frequency: 50/60 Hz

Voltage switch setting: 230 V ac (some models)

Input kilovolt-amperes (kVA) (approximate):

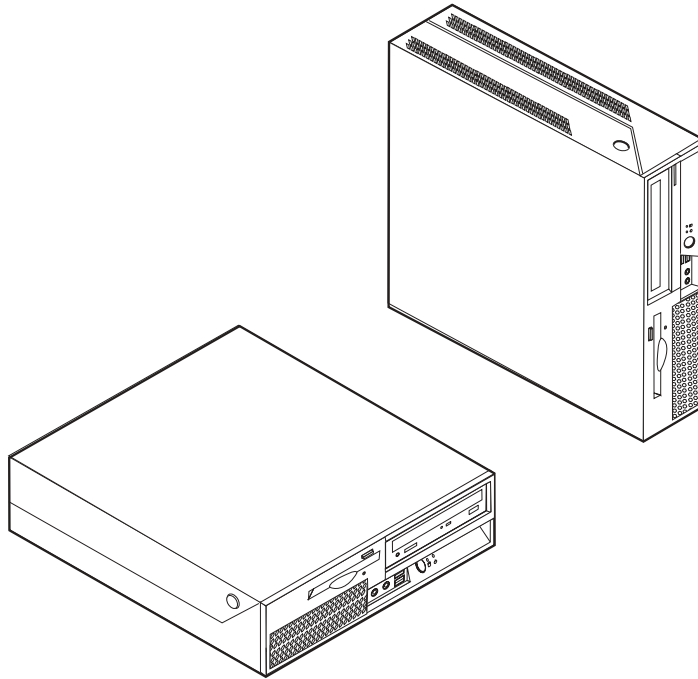
Minimum configuration as shipped: 0.09 kVA

Maximum configuration: 0.23 kVA

---

## Supported operating positions

To provide proper air flow to internal components, you must position your computer in one of the positions as illustrated below.



---

## Tools required

To install some options in your computer, you might need a flat-blade or Phillips screwdriver. Additional tools might be needed for certain options. See the instructions that come with the option.

---

## Handling static-sensitive devices

Static electricity, although harmless to you, can seriously damage computer components and options.

When you add an option, do *not* open the static-protective package containing the option until you are instructed to do so.

When you handle options and other computer components, take these precautions to avoid static electricity damage:

- Limit your movement. Movement can cause static electricity to build up around you.
- Always handle components carefully. Handle adapters and memory modules by the edges. Never touch any exposed circuitry.
- Prevent others from touching components.
- When you install a new option, touch the static-protective package containing the option to a metal expansion-slot cover or other unpainted metal surface on the computer for at least two seconds. This reduces static electricity in the package and your body.

- When possible, remove the option and install it directly in the computer without setting the option down. When this is not possible, place the static-protective package that the option came in on a smooth, level surface and place the option on it.
- Do not place the option on the computer cover or other metal surface.

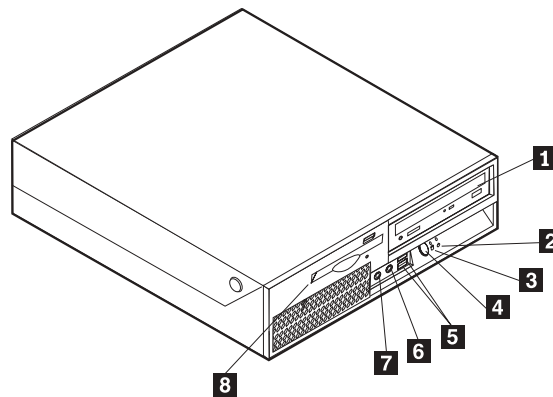
---

## Installing external options

This section shows the various external connectors on your computer to which you can attach external options, such as external speakers, a printer, or a scanner. For some external options, you must install additional software in addition to making the physical connection. When adding an external option, use the information in this section to identify the required connector, and then use the instructions that come with the option to help you make the connection and install any software or device drivers that are required for the option.

### Locating controls and connectors on the front of your computer

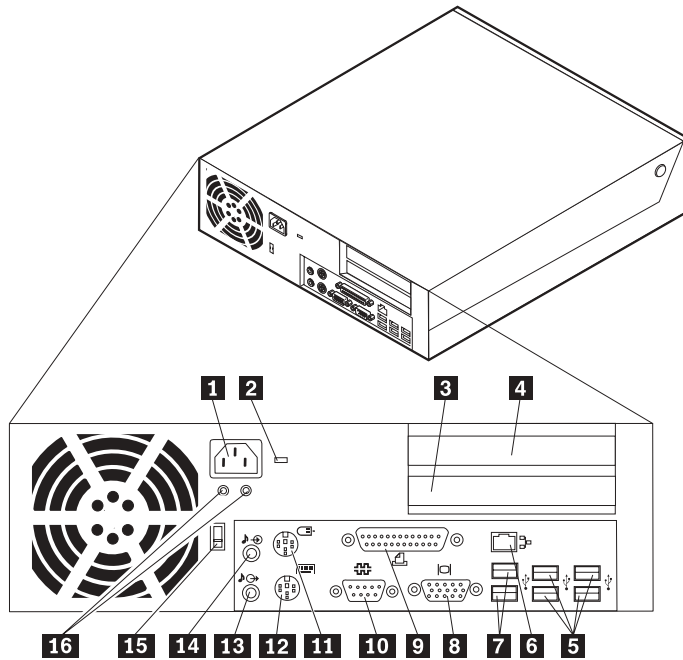
The following illustration shows the locations of the controls and connectors on the front of your computer.



- |          |                                    |          |                      |
|----------|------------------------------------|----------|----------------------|
| <b>1</b> | Optical drive                      | <b>5</b> | USB connectors (2)   |
| <b>2</b> | Hard disk drive activity indicator | <b>6</b> | Microphone connector |
| <b>3</b> | Power-on indicator                 | <b>7</b> | Headphone connector  |
| <b>4</b> | Power button                       | <b>8</b> | Diskette drive       |

## Locating connectors on the rear of your computer

The following illustration shows the locations of connectors on the rear of your computer.



- |          |                                  |           |                                        |
|----------|----------------------------------|-----------|----------------------------------------|
| <b>1</b> | Power cord connector             | <b>9</b>  | Parallel connector                     |
| <b>2</b> | Cable lock latch                 | <b>10</b> | Serial connector                       |
| <b>3</b> | PCI Express x1 adapter connector | <b>11</b> | Mouse connector                        |
| <b>4</b> | PCI adapter connector            | <b>12</b> | Keyboard                               |
| <b>5</b> | USB connectors (4)               | <b>13</b> | Audio line out connector               |
| <b>6</b> | Ethernet connector               | <b>14</b> | Audio line in connector                |
| <b>7</b> | USB connectors (2)               | <b>15</b> | Voltage-selection switch (some models) |
| <b>8</b> | VGA monitor connector            | <b>16</b> | Power supply diagnostic LEDs           |

**Note:** Some connectors on the rear of your computer are color-coded to help you determine where to connect the cables on your computer.

Connector	Description
USB connectors	Used to attach a device that requires a Universal Serial Bus (USB) connection, such as a USB keyboard, USB mouse, USB scanner or USB printer. If you have more than eight USB devices, you can purchase a USB hub, which you can use to connect additional USB devices.
Ethernet connector	Used to attach an Ethernet cable for a local area network (LAN). <b>Note:</b> To operate the computer within FCC Class B limits, use a Category 5 Ethernet cable.
Serial connector	Used to attach an external modem, serial printer, or other devices that use a 9-pin serial connector.
Parallel connector	Used to attach a parallel printer, parallel scanner, or other devices that use a 25-pin parallel connector.
Audio line in connector	Used to receive audio signals from an external audio device, such as a stereo system. When you attach an external audio device, a cable is connected between the audio line out connector of the device and the audio line in connector of the computer.
Audio line out connector	Used to send audio signals from the computer to external devices, such as powered stereo speakers (speakers with built-in amplifiers), headphones, multimedia keyboards, or the audio line in connector on a stereo system or other external recording device.

## Obtaining device drivers

You can obtain device drivers for operating systems that are not preinstalled at <http://www.lenovo.com/support/> on the World Wide Web. Installation instructions are provided in README files with the device-driver files.

---

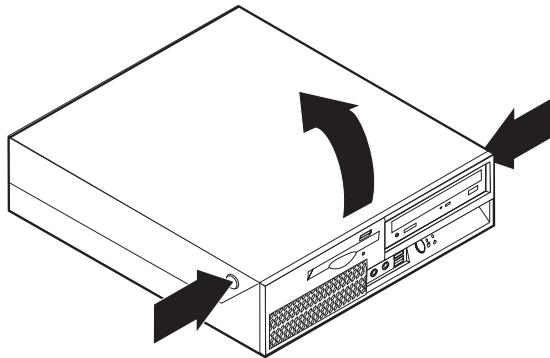
## Opening the cover

### **Important**

Read “Important safety information” on page v and “Handling static-sensitive devices” on page 16 before opening the computer cover.

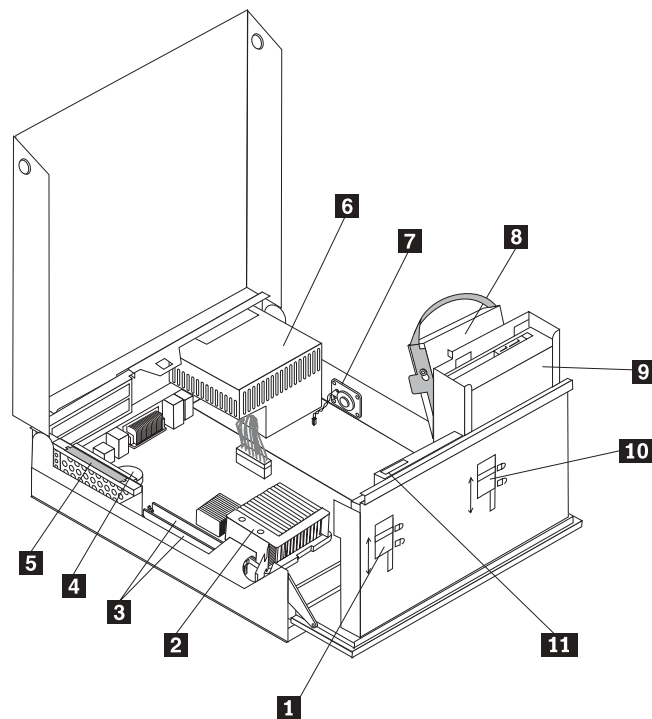
To open the computer cover:

1. Remove any media (diskettes, CDs, or tapes) from the drives, shut down your operating system, and turn off all attached devices.
2. Unplug all power cords from electrical outlets.
3. Disconnect all cables attached to the computer. This includes power cords, input/output (I/O) cables, and any other cables that are connected to the computer.
4. Remove any locking devices such as a cable lock that secure the cover.
5. Press the buttons on the sides of the computer and pivot the computer cover upward to open the computer as shown.



## Locating components

The following illustration will help you locate the various components in your computer.



- 1** Diskette drive lock
- 2** Microprocessor and heat sink
- 3** Memory modules (2)
- 4** Battery
- 5** PCI riser assembly
- 6** Power supply assembly

- 7** Internal speaker
- 8** Hard disk drive
- 9** Optical drive
- 10** Optical drive lock
- 11** Diskette drive

---

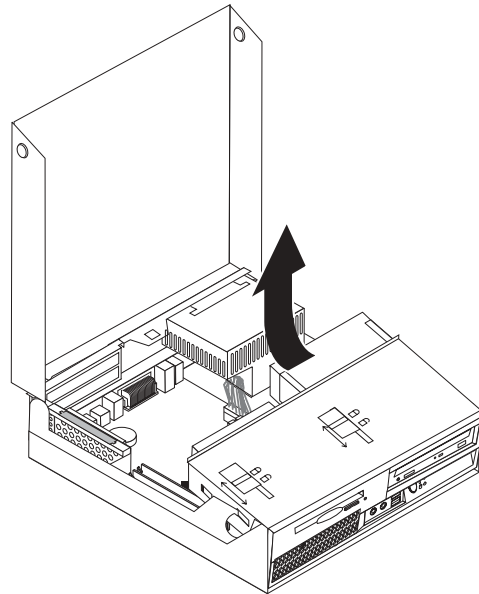
## Accessing system board components and drives

You might need to pivot the drive bay assembly upward and remove the PCI riser and adapters to access system board components such as memory, the battery, and to access the drives.

To access system board components and the drives:

1. Open the computer cover. See “Opening the cover” on page 20.
2. Pivot the drive bay assembly upward as illustrated.

**Note:** Make sure you note the location of any cables that you disconnect from the drives or the system board.



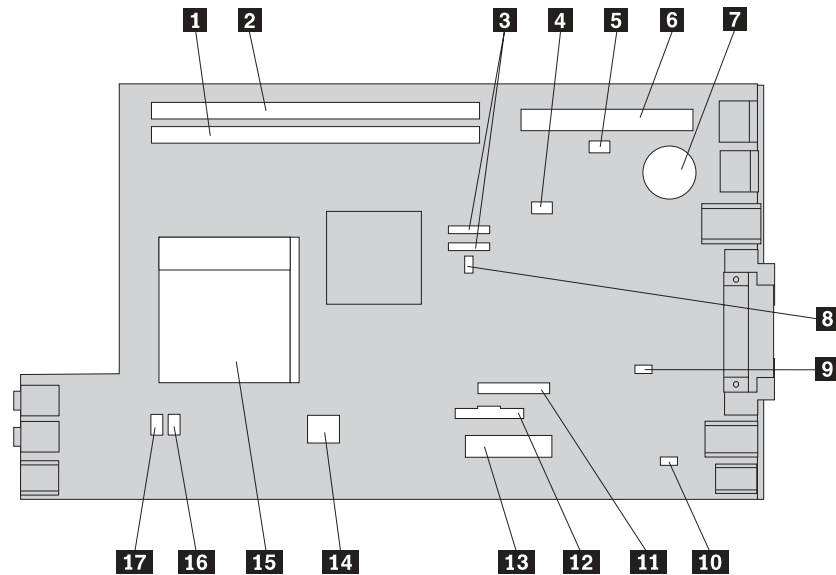
3. If any PCI adapters are installed, remove the PCI riser and adapter cards. Do not remove any adapters from the riser card. See “Installing PCI adapters” on page 25.



## Identifying parts on the system board

The system board (sometimes called the *planar* or *motherboard*) is the main circuit board in your computer. It provides basic computer functions and supports a variety of devices that are factory-installed or that you can install later.

The following illustration shows the locations of parts on the system board.



- |          |                                             |           |                            |
|----------|---------------------------------------------|-----------|----------------------------|
| <b>1</b> | Memory connector 1                          | <b>10</b> | Internal speaker connector |
| <b>2</b> | Memory connector 2                          | <b>11</b> | Diskette drive connector   |
| <b>3</b> | SATA IDE connectors (2)                     | <b>12</b> | Front panel connector      |
| <b>4</b> | BIOS WP                                     | <b>13</b> | Power supply connector     |
| <b>5</b> | Cover presence switch (Tamper SW) connector | <b>14</b> | 12v power connector        |
| <b>6</b> | PCI riser connector                         | <b>15</b> | Microprocessor             |
| <b>7</b> | Battery                                     | <b>16</b> | Fan connector 2            |
| <b>8</b> | Clear CMOS/Recovery jumper                  | <b>17</b> | Fan connector 1            |
| <b>9</b> | Temperature sensor connector                |           |                            |

## Installing memory

Your computer has two connectors for installing double data rate 2 dual inline memory modules (DDR2 DIMMs) that provide up to a maximum of 4.0 GB of system memory.

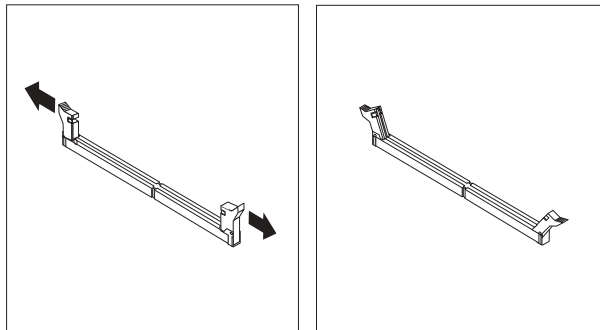
When installing memory modules, the following rules apply:

- Use 1.8 V, 240-pin, double data rate 2 synchronous dynamic random access memory (DDR2 SDRAM).
- Use 256 MB, 512 MB, 1.0 GB, or 2.0 GB memory modules in any combination up to a maximum of 4.0 GB.

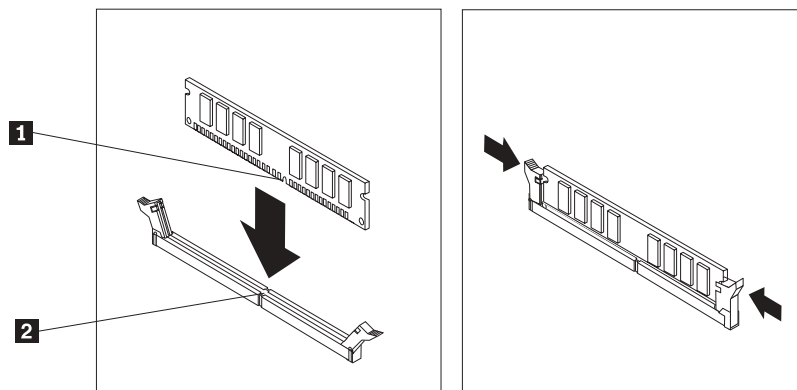
**Note:** Only DDR2 SDRAM DIMMs can be used.

To install a memory module:

1. Open the computer cover. See “Opening the cover” on page 20.
2. Access the system board. See “Accessing system board components and drives” on page 22.
3. Locate the memory connectors. See “Identifying parts on the system board” on page 23.
4. Open the retaining clips.



5. Position the memory module over the memory connector. Make sure that the notch **1** on the memory module aligns correctly with the connector key **2** on the system board. Push the memory module straight down into the connector until the retaining clips close.



6. Reinstall the PCI riser assembly if it was removed.

**What to do next:**

- To work with another option, go to the appropriate section.
- To complete the installation, go to “Closing the cover and connecting the cables” on page 35.

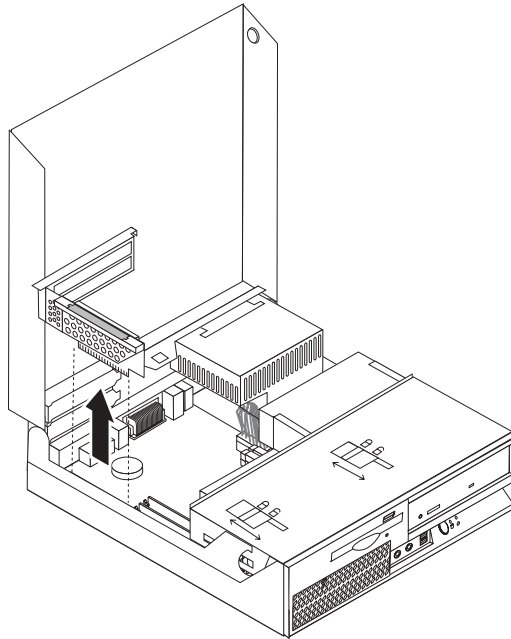
---

## Installing PCI adapters

This section provides information and instructions for installing and removing PCI adapters. Your computer has a riser card with one PCI adapter connector and one PCI Express x1 adapter connector.

To install a PCI adapter:

1. Open the computer cover. See “Opening the cover” on page 20.
2. While holding the left rear of the computer chassis down, pull upward on the handle provided to remove the PCI riser and any adapters that are currently installed.

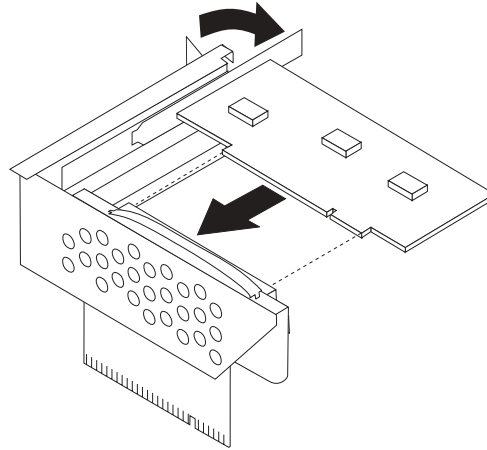


3. Release the adapter latch and remove the connector cover for the appropriate expansion connector.
4. Remove the adapter from its static-protective package.

5. Install the adapter into the appropriate connector in the PCI riser.

**Note:** The top connector is for the PCI adapter and the bottom connector is for the PCI Express x1 adapter.

6. Close the adapter latch to retain the adapters.



7. Reinstall the PCI riser assembly.

**What to do next:**

- To work with another option, go to the appropriate section.
- To complete the installation, go to “Closing the cover and connecting the cables” on page 35.

---

## Installing internal drives

This section provides information and instructions for installing and removing internal drives.

Internal drives are devices that your computer uses to read and store data. You can add drives to your computer to increase storage capacity and to enable your computer to read other types of media. Some of the different drives that are available for your computer are:

- Serial Advanced Technology Attachment (SATA) hard disk drives
- SATA Optical drives, such as CD drives or DVD drives
- Removable media drives

**Note:** These different drives are also referred to as integrated drive electronics (IDE) drives.

Internal drives are installed in *bays*. In this book, the bays are referred to as bay 1, bay 2, and so on.

When you install an internal drive, it is important to note what type and size of drive that you can install in each bay. Also, it is important to correctly connect the internal drive cables to the installed drive.

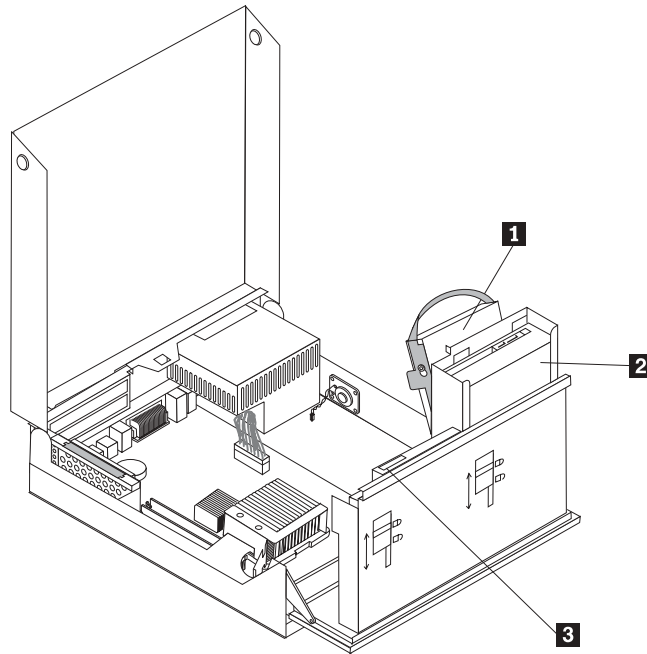
## Drive specifications

Your computer comes with the following factory-installed drives:

- A 3.5-inch hard disk drive in bay 1
- An optical drive in bay 2 (some models)
- A 3.5-inch diskette drive in bay 3 (some models)

Any bay that does not have a drive installed has a static shield and bay panel installed.

The following illustration shows the locations of the drive bays.



The following list describes the types and size of drives you can install in each bay:

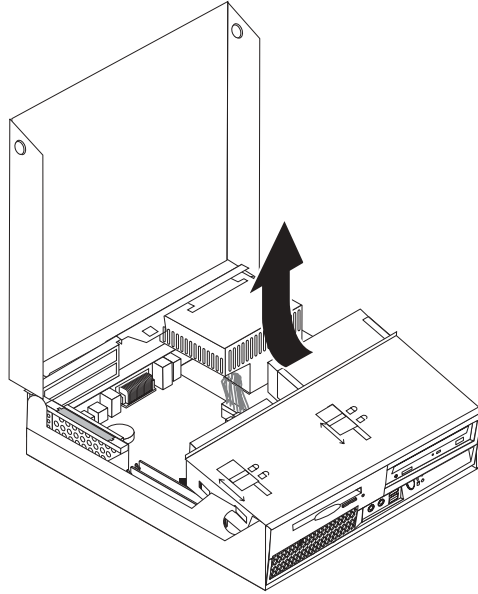
- |                                                    |                                                                                     |
|----------------------------------------------------|-------------------------------------------------------------------------------------|
| <b>1</b> Bay 1 - Maximum height: 26.1 mm (1.0 in.) | 3.5-inch hard disk drive (preinstalled)                                             |
| <b>2</b> Bay 2 - Maximum height: 43.0 mm (1.7 in.) | Optical drives, such as CD drive or DVD drive (preinstalled in some models)         |
|                                                    | 3.5-inch hard disk drive (requires a Universal Adapter Bracket, 5.25 to 3.5-inch) * |
|                                                    | 5.25-inch hard disk drive                                                           |
| <b>3</b> Bay 3 - Maximum height: 12.7 mm (0.5 in.) | 3.5-inch diskette drive (preinstalled in some models)                               |

\* You can obtain a Universal Adapter Bracket, 5.25 to 3.5-inch, from a local computer retailer or by contacting the Customer Support Center.

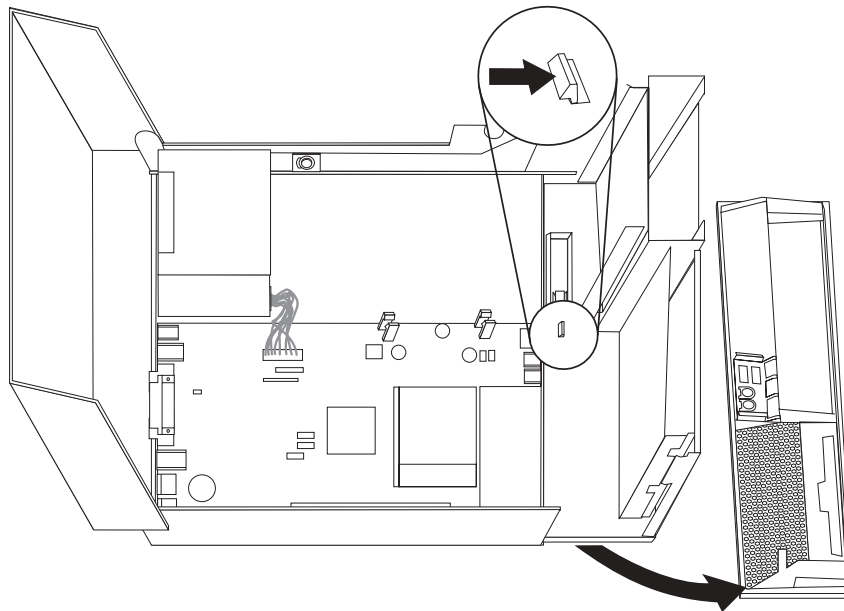
## Installing a drive in bay 2

To install an optical drive or an additional hard disk drive in bay 2, do the following:

1. Open the computer cover. See “Opening the cover” on page 20.
2. Pivot the drive bay assembly upward to gain access to the cable connections.



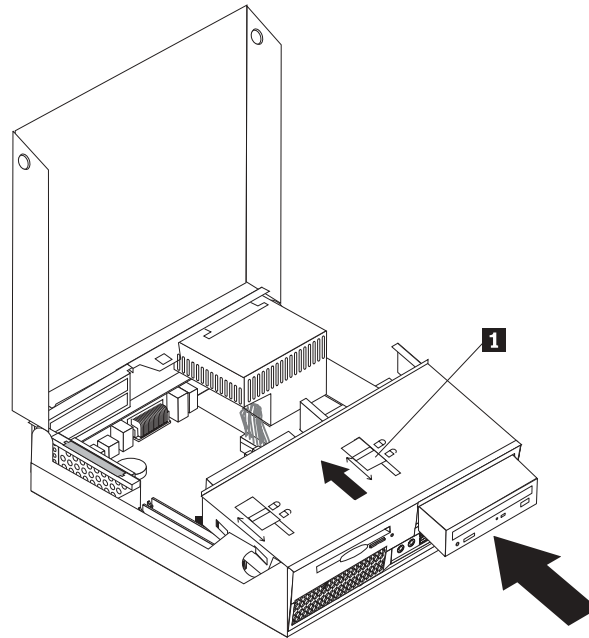
3. Remove the front bezel by releasing the tab as shown and pivoting the bezel outward from the bottom.



4. Lower the drive bay assembly.
5. Remove the metal shield from the drive bay by using a flat-blade screwdriver to gently pry it loose.
6. If you are installing a drive with accessible media, such as an optical drive, remove the plastic panel in the bezel by squeezing the plastic tabs that secure the panel on the inside of the bezel.

**Note:** If you are installing a 3.5-inch hard disk drive you must use a Universal Adapter Bracket, 5.25 to 3.5-inch. You can obtain this bracket from a local computer retailer or by contacting the Customer Support Center.

7. Reinstall the front bezel.
8. Slide the optical drive lock to the unlock position. See “Locating components” on page 21.
9. If you are installing a 3.5-inch drive, install the drive into the Universal Adapter Bracket, 5.25 to 3.5-inch.
10. Install the drive into the drive bay until it snaps into position.
11. Slide the optical drive lock **1** to the locked position.



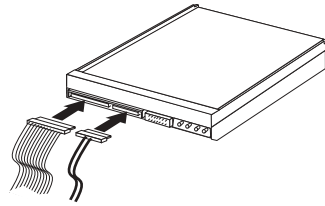
12. Pivot the drive bay assembly upward to gain access to the cable connections.
13. Continue at “Connecting a serial ATA drive.”

### Connecting a serial ATA drive

A serial optical or additional hard disk drive can be connected to any available SATA connector.

1. Locate the signal cable that comes with the new drive.
2. Locate the available SATA connector on the system board. See “Identifying parts on the system board” on page 23.
3. Connect one end of the signal cable to the drive and the other to the available SATA connector on the system board.

4. Locate one of the extra five-wire power connectors and connect it to the drive.



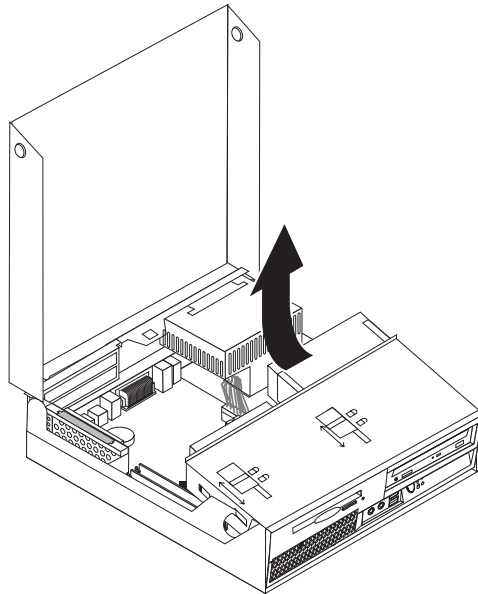
**What to do next:**

- To work with another option, go to the appropriate section.
- To complete the installation, go to “Closing the cover and connecting the cables” on page 35.

### Installing a diskette drive in bay 3

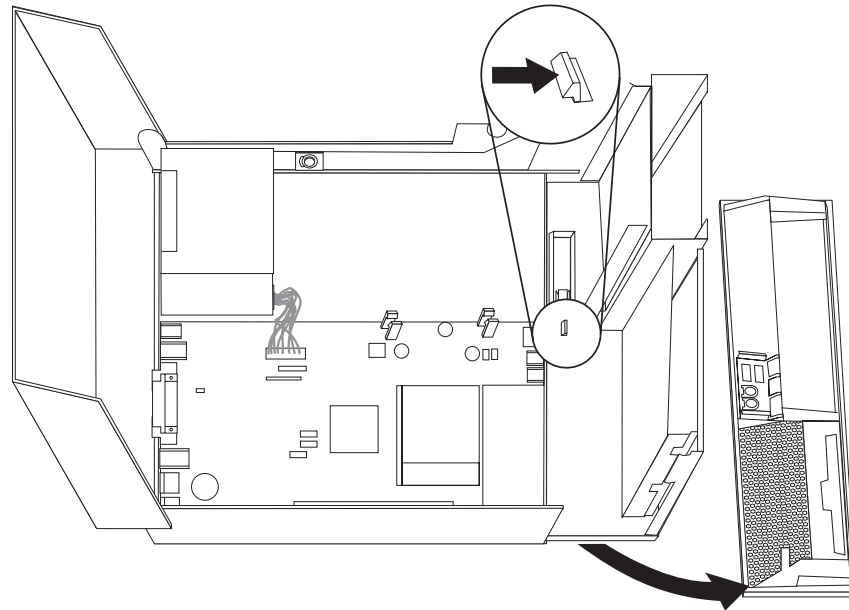
To install a diskette drive in bay 3, do the following:

1. Open the computer cover. See “Opening the cover” on page 20.
2. Pivot the drive bay assembly upward to gain access to the cable connections.



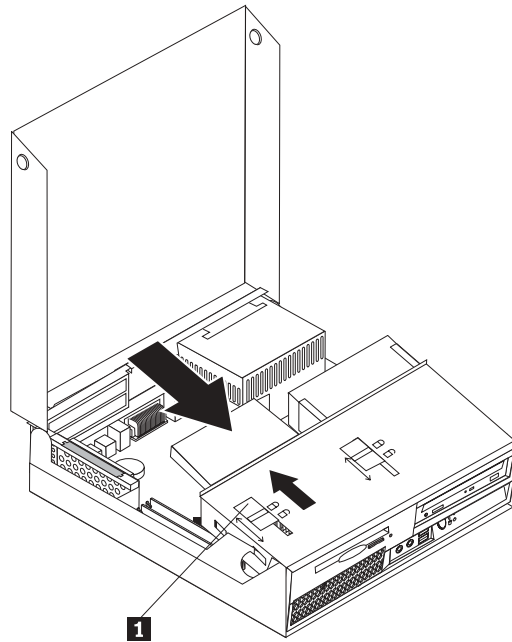


3. Remove the front bezel by releasing the tab as shown and pivoting the bezel outward from the bottom.



4. Lower the drive bay assembly.
5. Remove the metal shield from the diskette drive bay by using a flat-blade screwdriver to gently pry it loose.
6. Remove the plastic panel in the bezel by squeezing the plastic tabs that secure the panel on the inside of the bezel.
7. Reinstall the front bezel.
8. Slide the diskette drive lock to the unlock position. See “Locating components” on page 21.
9. Connect the flat cable to the new drive.

10. Install the new drive from the rear of the drive bay assembly and slide the diskette drive lock **1** to the locked position.



**What to do next:**

- To work with another option, go to the appropriate section.
- To complete the installation, go to “Closing the cover and connecting the cables” on page 35.

---

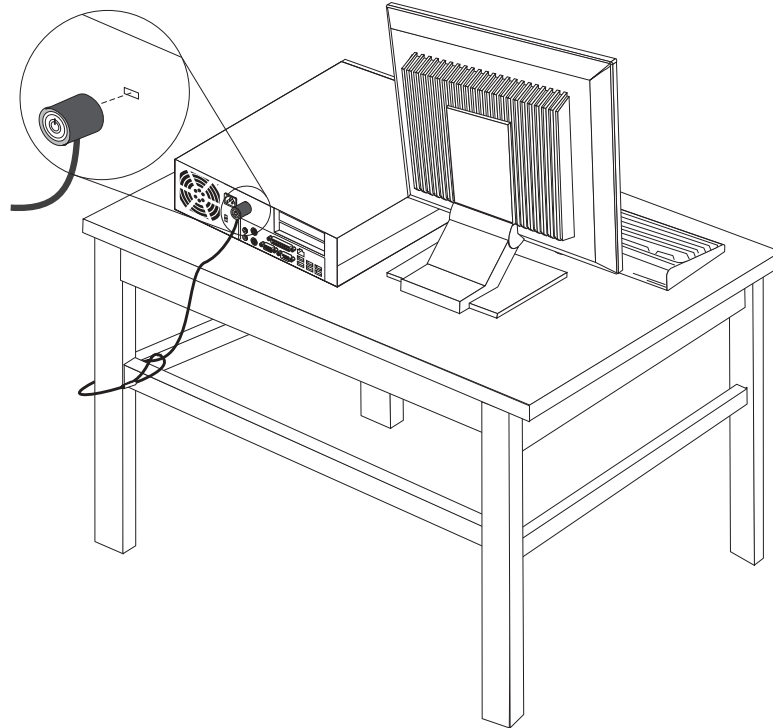
## Security features

To help prevent hardware theft and unauthorized access to your computer, several security lock options are available. In addition to a physical lock, unauthorized use of your computer can be prevented by a software lock that locks the keyboard until a correct password is typed in.

Make sure that any security cables you install do not interfere with other computer cables.

## Integrated cable lock

With an integrated cable lock (sometimes referred to as the Kensington lock), you can secure your computer to a desk, table, or other non-permanent fixture. The cable lock attaches to a security slot at the rear of your computer and is operated with a key. The cable lock also locks the buttons used to open the computer cover. This is the same type of lock used with many laptop computers. You can order a security cable directly from Lenovo. Go to <http://www.lenovo.com/support/> and search on *Kensington*.



## Password protection

To deter unauthorized use of your computer, you can use the Setup Utility program to set a password. When you turn on your computer you are prompted to type the password to unlock the keyboard for normal use.

### What to do next:

- To work with another option, go to the appropriate section.
- To complete the installation, go to “Closing the cover and connecting the cables” on page 35.

---

## Changing the battery

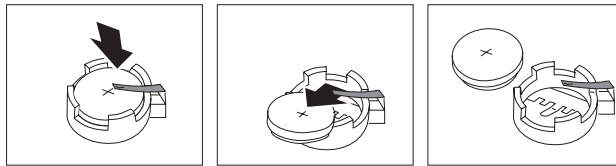
Your computer has a special type of memory that maintains the date, time, and settings for built-in features, such as parallel-port assignments (configuration). A battery keeps this information active when you turn off the computer.

The battery normally requires no charging or maintenance throughout its life; however, no battery lasts forever. If the battery fails, the date, time, and configuration information (including passwords) are lost. An error message is displayed when you turn on the computer.

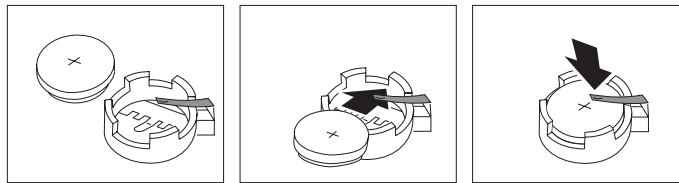
Refer to “Lithium battery notice” on page xii for information about replacing and disposing of the battery.

To change the battery:

1. Turn off the computer and disconnect the power cord from the electrical outlet and from the computer.
2. Open the computer cover. See “Opening the cover” on page 20.
3. Access the system board. See “Accessing system board components and drives” on page 22.
4. Locate the battery. See “Identifying parts on the system board” on page 23.
5. Remove the old battery.



6. Install the new battery.



7. Reinstall the PCI riser assembly if removed.
8. Close the computer cover, and connect the cables. See “Closing the cover and connecting the cables” on page 35.

**Note:** When the computer is turned on for the first time after battery replacement, an error message might be displayed. This is normal after replacing the battery.

9. Turn on the computer and all attached devices.
10. Use the Setup Utility program to set the date and time and any passwords. See Chapter 5, “Using the Setup Utility,” on page 45.

---

## Erasing a lost or forgotten password (clearing CMOS)

This section applies to lost or forgotten passwords. For more information about lost or forgotten passwords, go to the ThinkVantage Productivity Center program.

To erase a forgotten password:

1. Open the computer cover. See “Opening the cover” on page 20.
2. Access the system board. See “Accessing system board components and drives” on page 22.
3. Locate the Clear CMOS/Recovery jumper on the system board. See “Identifying parts on the system board” on page 23.
4. Move the jumper from the standard position (pins 1 and 2) to the maintenance or configure position (pins 2 and 3).
5. Reinstall the PCI riser assembly if removed.
6. Lower the drive bay assembly and reconnect any cables that were disconnected.

7. Close the computer cover and connect the power cord. See “Closing the cover and connecting the cables.”
8. Restart the computer, leave it on for approximately 10 seconds. Turn off the computer by holding the power switch for approximately 5 seconds. The computer will turn off.
9. Repeat steps 1 through 3 on page 34.
10. Move the Clear CMOS/Recovery jumper back to the standard position (pins 1 and 2).
11. Reinstall the PCI riser assembly if removed.
12. Close the computer cover and connect the power cord. See “Closing the cover and connecting the cables.”

---

## Closing the cover and connecting the cables

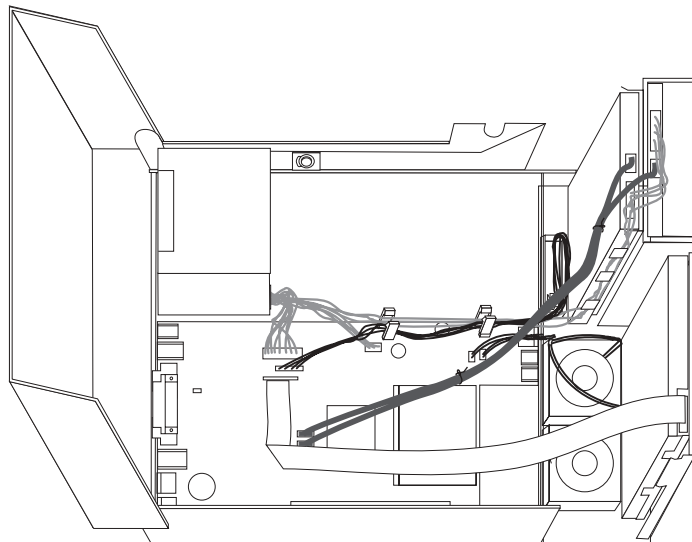
After working with options, you need to install any removed parts, close the computer cover, and reconnect cables, including telephone lines and power cords. Also, depending on the option that is installed, you might need to confirm the updated information in the Setup Utility program.

To close the computer cover and connect cables to your computer:

1. Ensure that all components have been reassembled correctly and that no tools or loose screws are left inside your computer.
2. Make sure that the cables are routed correctly before lowering the drive bay assembly.

### **Important**

Correctly route all power supply cables to avoid interference with the drive bay assembly. Keep cables clear of the hinges and sides of the computer chassis.



3. Lower the drive bay assembly and make sure that the drive locks are both in the locked position. Otherwise, you cannot close the computer cover.
4. Close the computer cover.

5. Install any locking devices such as a cable lock as necessary.
6. Reconnect the external cables and power cords to the computer. See “Locating connectors on the rear of your computer” on page 18.
7. To update the configuration, see Chapter 5, “Using the Setup Utility,” on page 45.

---

## Chapter 4. Recovering software

There are a variety of methods to choose from when considering how to recover software in the event of a software or hardware-related problem. Some methods vary depending on the type of operating system you have.

This chapter will help you become familiar with recovery solutions provided by Lenovo. This chapter explains how and when to use the following recovery methods:

- Creating and using Product Recovery discs
- Performing backup and recovery operations
- Using the Rescue and Recovery workspace
- Creating and using rescue media
- Creating and using a Recovery Repair diskette
- Recovering or installing device drivers
- Setting a rescue device in the startup sequence
- Solving recovery problems

Refer to the Access Help online help system for additional information about the Rescue and Recovery program provided by Lenovo. For information on how to access the online help system, see “Access Help” on page 62.

---

### Creating and using the Product Recovery disc

If your computer is equipped with a recordable CD or DVD drive, you can create a set of Product Recovery discs that enables you to restore the contents of the hard disk to the same state as when the computer was originally shipped from the factory. Product Recovery discs are useful if you transfer the computer to another area, sell the computer, recycle the computer, or as a last resort put the computer in an operational state after all other methods of recovery have failed. As a precautionary measure, it is important to create a set of Product Recovery discs as soon as possible.

**Note:** The recovery operations you can perform using Product Recovery discs vary depending on the operating system from which they were created. Your Microsoft Windows license permits you to create only one set of Product Recovery discs, so it is important that you store the discs in a safe place after you make them.

**To create Product Recovery discs, do the following:**

1. From the Windows desktop, open the Start menu, select **All Programs**, select **ThinkVantage**, click **Create Recovery Media**.
2. In the Recovery Discs section, select **Create a set of Recovery Discs now**.
3. Follow the instructions on the screen.

The following list explains how Product Recovery discs are used on different operating systems:

- Windows XP: Use Product Recovery discs to restore your computer to the original factory contents, perform a custom factory recovery, or to perform other rescue and recovery operations such as rescuing individual files.

- Windows Vista: Use Product Recovery discs to restore your computer to the original factory contents only.

When using Product Recovery discs on Windows XP, you are given the option to enter the Rescue and Recovery workspace and choose from a variety of recovery operations. When using Product Recovery discs on Windows Vista, you are prompted to insert your Product Recovery discs and are guided through the process of restoring from original factory contents only.

**To use Product Recovery discs on Windows XP, do the following:**

**Attention:** When you restore the factory contents from the Product Recovery discs, all files currently on the hard disk will be deleted and replaced by the original factory contents. During the restore process, you will be given the opportunity to save one or more files currently on your hard disk drive to other media before any data is removed.

1. Insert the Rescue and Recovery startup disc into your CD or DVD drive.
2. Restart your computer.
3. After a short delay, the Rescue and Recovery workspace opens.

**Note:** If the Rescue and Recovery workspace fails to open, you might not have your startup device (CD drive or DVD drive) set correctly in your BIOS startup sequence. See “Setting a rescue device in the startup sequence” on page 43 for more information.

4. If you have set a Master password, type your password when prompted.
5. In the Rescue and Recovery menu, click **Restore your system**.
6. Follow the instructions on the screen. Insert the appropriate Product Recovery disc when prompted.

**Note:** After restoring your hard disk to the original factory content, you might have to reinstall some software or drivers. See “Using the Rescue and Recovery workspace” on page 39 for details.

**To use Product Recovery discs on Windows Vista, do the following:**

**Attention:** When you restore the factory contents from the Product Recovery discs, all files currently on the hard disk will be deleted and replaced by the original factory contents.

1. Insert the Start Recovery disc into your CD or DVD drive.
2. Restart your computer.
3. Follow the instructions on the screen. Insert the appropriate Product Recovery disc when prompted.

**Note:** After restoring your hard disk to the original factory content, you might have to reinstall some software or drivers. See “Using the Rescue and Recovery workspace” on page 39 for details.

---

## Performing backup and recovery operations

The Rescue and Recovery program enables you to back up your complete hard disk contents including the operating system, data files, application programs, and personal settings. You can designate where the Rescue and Recovery program stores the backup:



- On a protected area of your hard disk
- On a second hard disk installed in your computer
- On an externally attached USB hard disk
- On a network drive
- On recordable CDs or DVDs (a recordable CD or DVD drive is required for this option)

After you have backed up your hard disk, you can restore the complete contents of the hard disk, restore selected files only, or restore only the Windows operating system and applications.

**To perform a backup operation using the Rescue and Recovery program, do the following:**

1. From the Windows desktop, open the Start menu, select **All Programs**, click **ThinkVantage**, then click **Rescue and Recovery**. The Rescue and Recovery program opens.
2. From the Rescue and Recovery main window, click **Back up your hard drive** select backup operation options.
3. Follow the instructions on the screen.

**To perform a restore operation using the Rescue and Recovery program, do the following:**

1. From the Windows desktop, open the Start menu, select **All Programs**, click **ThinkVantage**, then click **Rescue and Recovery**. The Rescue and Recovery program opens.
2. From the Rescue and Recovery main window, click **Restore your system from a backup** icon.
3. Follow the instructions on the screen.

For information about performing a restore operation from the Rescue and Recovery workspace, see “Using the Rescue and Recovery workspace.”

---

## Using the Rescue and Recovery workspace

The Rescue and Recovery workspace resides in a protected, hidden area of your hard disk that operates independently from the Windows operating system. This enables you to perform recovery operations even if the Windows operating system cannot be started. You can perform the following recovery operations from the Rescue and Recovery workspace:

- **Rescue files from your hard disk or from a backup:** The Rescue and Recovery workspace enables you to locate files on your hard disk and transfer them to a network drive or other recordable media, such as a USB hard disk drive or a diskette. This solution is available, even if you did not back up your files or if changes were made to the files since your last backup operation. You also can rescue individual files from a Rescue and Recovery backup located on your local hard disk, a USB device, or a network drive.
- **Restore your hard disk from a Rescue and Recovery backup:** Once you perform a backup operation using the Rescue and Recovery program, you can perform restore operations from the Rescue and Recovery workspace, even if you cannot start the Windows operating system.
- **Restore your hard disk to the factory contents:** The Rescue and Recovery workspace enables you to restore the complete contents of your hard disk to the same state as it was when originally shipped from the factory. If you have

multiple partitions on your hard disk, you have the option to restore the factory contents to the C: partition and leave the other partitions intact. Because the Rescue and Recovery workspace operates independently from the Windows operating system, you can restore the factory contents even if you cannot start the Windows operating system.

**Attention:** If you restore the hard disk from a Rescue and Recovery backup or restore the hard disk to the factory contents, all files on the primary hard disk partition (usually drive C) will be deleted in the recovery process. If possible, make copies of important files. If you are unable to start the Windows operating system, you can use the Rescue files feature in the Rescue and Recovery workspace to copy files from your hard disk to other media.

**To start the Rescue and Recovery workspace, do the following:**

1. Turn off your computer.
2. Restart your computer.
3. Repeatedly press and release the F11 key.
4. When you hear beeps or see a logo screen, release the F11 key.
5. If you set a Rescue and Recovery password, type your password when prompted. The Rescue and Recovery workspace opens after a short delay.

**Note:** If the Rescue and Recovery workspace fails to open, see “Solving recovery problems” on page 43.

6. Do one of the of the following:
  - To rescue files from your hard disk or from a backup, click **Rescue** files; then, follow the instructions on the screen.
  - To restore your hard disk from a Rescue and Recovery backup or to restore your hard drive to the factory contents, click **Restore your system**; then, follow the instructions on the screen.
  - For information about other features of the Rescue and Recovery workspace, click **Help**.

**Notes:**

1. After restoring a hard disk to the original factory contents you might have to reinstall device drivers for some devices. See “Recovering or installing device drivers” on page 42.
2. Some computers come with Microsoft Office or Microsoft Works preinstalled. If you need to recover or reinstall your Microsoft Office or Microsoft Works applications, you must use the *Microsoft Office CD* or *Microsoft Works CD*. These CDs are provided only with computers that come with Microsoft Office or Microsoft Works preinstalled.

---

## Creating and using rescue media

Rescue media such as a CD or USB hard disk drive enables you to recover from failures that prevent you from gaining access to the Rescue and Recovery workspace on your hard disk.

**Note:** The recovery operations you can perform using rescue media vary depending on the operating system on which it is used. The rescue disc can be started in any type of CD or DVD. Rescue media also contains a PC-Doctor diagnostics program, which enables you to run diagnostics from the rescue media.

**To create rescue media, do the following:**

1. Open the Start menu from the Windows desktop, select **All Programs**, click **ThinkVantage**, then click **Create Recovery Media**.
2. In the **Rescue Media** area, select the type of rescue media you want to create. You can create rescue media using a CD, USB hard drive, or a second internal hard disk drive.
3. Click **OK**.
4. Follow the instructions on the screen.

The following list explains how rescue media is used on different operating systems:

- Windows XP: Use rescue media to restore your computer to the original factory contents, perform a custom factory recovery, or to perform other rescue and recovery operations such as rescuing individual files.
- Windows Vista: Use rescue media to perform all recovery operations except the ability to restore to the original factory contents and custom factory recovery.

**To use rescue media, do one of the following:**

- If your rescue media is on CDs or DVDs, insert the rescue disc and restart your computer.
- If your rescue media is on a USB hard disk, attach your USB hard disk drive to one of the USB connectors on your computer, then restart on your computer.
- If you are using a second internal hard disk drive, set the startup sequence to start from that drive.

When the rescue media starts, the Rescue and Recovery workspace opens. Help for each feature is available from the Rescue and Recovery workspace. If your rescue media fails to start, you might not have your rescue device (CD drive, DVD drive, or USB device) set correctly in your BIOS startup sequence. See “Setting a rescue device in the startup sequence” on page 43 for more information.

---

## Creating and using a Recovery Repair diskette

If you are unable to access the Rescue and Recovery workspace or the Windows environment, use a Recovery Repair diskette to repair the Rescue and Recovery workspace or repair a file needed to enter the Windows environment. It is important to create a Recovery Repair diskette as soon as possible and store it in a safe place as a precautionary measure.

**To create a Recovery Repair diskette, do the following:**

1. Start your computer and operating system.
2. Using an Internet browser, go to the following Web address:

<http://www.lenovo.com/think/support/site.wss/document.do?lndocid=MIGR-54483>

3. Insert a diskette into diskette drive A. Information on the diskette will be erased and the diskette will be formatted appropriately.
4. Double-click on the appropriate file name. The diskette is created.
5. Take out the diskette and label it Recovery Repair diskette.

**To use the Recovery Repair diskette, do the following:**

1. Shut down the operating system and turn off the computer.

2. Insert the Recovery Repair diskette into diskette drive A.
3. Turn on the computer and follow the instructions on the screen.

**Note:** If the repair operation finishes without error, you will be able to access the Rescue and Recovery workspace by repeatedly pressing the F11 key while you restart your computer. When you hear beeps or see a logo screen, release the F11 key. You will also be able to access the Windows environment after the repair operation finishes.

If an error message appears during the repair operation and the repair operation cannot be completed, you might have a problem with the partition that contains the Rescue and Recovery workspace. Use your rescue media to access the Rescue and Recovery workspace. For information about creating and using rescue media, see “Creating and using rescue media” on page 40.

---

## Recovering or installing device drivers

Before you can recover or install device drivers, your operating system must be installed on your computer. Make sure that you have the documentation and software media for the device.

Device drivers for factory-installed devices are located on the computer hard disk (usually drive C) in the SWTOOLS\drivers folder. Other device drivers are on the software media that come with individual devices.

The latest device drivers for factory-installed devices also are available on the World Wide Web at <http://www.lenovo.com/think/support/>.

**To reinstall a device driver for a factory-installed device, do the following:**

1. Start your computer and operating system.
2. Use Windows Explorer or My Computer to display the directory structure of your hard disk.
3. Open the C:\SWTOOLS folder.
4. Open the DRIVERS folder. Within the DRIVERS folder are several subfolders that are named for various devices that are installed in your computer (for example, AUDIO or VIDEO).
5. Open the appropriate device subfolder.
6. Use one of the following methods to reinstall the device driver:
  - In the device subfolder, look for a README.TXT or other file with the .TXT extension. This file might be named after the operating system, such as WIN98.TXT. The text file has information on how to reinstall that device driver.
  - If the device subfolder contains a file with an .INF extension, you can use the Add New Hardware program (located in the Windows Control Panel) to reinstall the device driver. Not all device drivers can be reinstalled using this program. In the Add New Hardware program, when prompted for the device driver that you want to install, click **Have Disk** and **Browse**. Then select the appropriate device driver file from the device subfolder.
  - In the device subfolder, look for a SETUP.EXE file. Double-click **SETUP.EXE** and follow the instructions on the screen.

---

## Setting a rescue device in the startup sequence

Before you start the Rescue and Recovery program from a CD, DVD, USB hard disk drive, or any external device, you must first change the startup sequence in the Setup Utility.

To view or change the startup sequence, do the following:

1. With the computer off, repeatedly press and release the F1 key while you turn on the computer.
2. When the logo screen appears, or you hear a series of beeps, release the F1 key.
3. If you are prompted for a password, type your current password.
4. From the Setup Utility main menu, use the right-arrow key to select **Startup**.
5. Arrange the startup sequence to meet your needs.
6. Press the Esc key twice to go to the Setup Utility exit menu.
7. Use the down-arrow key to select Save and exit the Setup Utility, then press Enter.
8. When the Setup Confirmation window appears, press Enter.
9. The computer restarts.

**Note:** If you are using an external device, you first must turn off your computer before connecting the external device.

For more information on Setup Utility, see Chapter 5, “Using the Setup Utility,” on page 45.

---

## Solving recovery problems

If you are unable to access the Rescue and Recovery workspace or the Windows environment, you can:

- Use your rescue media (CD, DVD, or USB hard disk) to start the Rescue and Recovery workspace. See “Creating and using rescue media” on page 40 for details.
- Use a Recovery Repair diskette to repair the Rescue and Recovery workspace or repair a file needed to enter the Windows environment. See “Creating and using a Recovery Repair diskette” on page 41 for details.
- Use a set of Product Recovery discs if your intent is to restore the hard disk to its original factory contents. See “Creating and using the Product Recovery disc” on page 37.

It is important to create a Recovery Repair diskette, rescue media, and a set of Product Recovery discs as soon as possible and store them in a safe place as a precautionary measure.

If you are unable to access the Rescue and Recovery workspace or the Windows environment from rescue media, a Recovery Repair diskette, or a set of Product Recovery CDs, you might not have the rescue device, CD drive, DVD drive, or USB hard disk drive defined as a startup device in the BIOS startup sequence. See “Setting a rescue device in the startup sequence” for more information.



---

## Chapter 5. Using the Setup Utility

The Setup Utility program is stored in the electrically erasable programmable read-only memory (EEPROM) of your computer. The Setup Utility program is used to view and change the configuration settings of your computer, regardless of which operating system you are using. However, the operating-system settings might override any similar settings in the Setup Utility program.

---

### Starting the Setup Utility program

To start the Setup Utility program, do the following:

1. If your computer is already on when you start this procedure, shut down the operating system and turn off the computer.
2. Press and hold the F1 key then turn on the computer. When you hear multiple beeps, release the F1 key.

**Notes:**

- a. If you are using a USB keyboard and the Setup Utility program does not display using this method, repeatedly press and release the F1 key rather than leaving it pressed when turning on the computer.
- b. If a user password or an administrator password has been set, the Setup Utility program menu is not displayed until you type your password. See “Using passwords” for more information.

The Setup Utility might start automatically when POST detects that hardware has been removed or new hardware has been installed in your computer.

---

### Viewing and changing settings

The Setup Utility program menu lists items that identify system configuration topics.

When working with the Setup Utility program menu, you must use the keyboard. The keys used to perform various tasks are displayed at the bottom of each screen.

---

### Using passwords

By using the Setup Utility program, you can set passwords to prevent unauthorized persons from gaining access to your computer and data. The following types of passwords are available:

- User Password
- Administrator Password

You do not have to set any passwords to use your computer. However, if you decide to set any passwords, read the following sections.

### Password considerations

A password can be any combination of up to twelve characters (a-z and 0-9) and symbols. For security reasons, it is a good idea to use a strong password that cannot be easily compromised. Strong passwords typically adhere to the following rules:

- Have at least eight characters in length
- Contain at least one alphabetic character, one numeric character, and one symbol
- Contain at least one of the following symbols: , . / ` ` ; ' []
- You can also use the space bar
- Setup Utility program and hard disk drive passwords are not case sensitive
- Not be your name or your user name
- Not be a common word or a common name
- Be significantly different from your previous password

## User Password

When a User Password is set, the user is prompted to type a valid password each time the computer is turned on. The computer cannot be used until a valid password is typed from the keyboard.

## Administrator Password

Setting an Administrator Password deters unauthorized persons from changing configuration settings. If you are responsible for maintaining the settings of several computers, you might want to set an Administrator Password.

After you set an Administrator Password, a password prompt is displayed each time you try to access the Setup Utility program.

If both the user and administrator passwords are set, you can type either password. However, to change any configuration settings, you must use your administrator password.

## Setting, changing, and deleting a password

To set, change, or delete a password, do the following:

**Note:** A password can be any combination of up to twelve characters (A- Z, a-z, and 0-9). See “Password considerations” on page 45 for more information.

1. Start the Setup Utility program (see Chapter 5, “Using the Setup Utility,” on page 45).
2. From the Setup Utility program menu, select **Security**.
3. Select **Set Passwords**. Read the information displayed on the right side of the screen.

---

## Using Security Profile by Device

Security Profile by Device is used to enable or disable user access to the following devices:

<b>IDE controller</b>	When this feature is set to <b>Disable</b> , all devices connected to the IDE controller (such as hard disk drives or the CD-ROM drive) are disabled and will not be displayed in the system configuration.
<b>Diskette Drive Access</b>	When this feature is set to <b>Disable</b> , the diskette drive cannot be accessed.

To set Security Profile by Device, do the following:



1. Start the Setup Utility program (see “Starting the Setup Utility program” on page 45).
2. From the Setup Utility program menu, select **Security**.
3. Select **Security Profile by Device**.
4. Select the desired devices and settings and press Enter.
5. Return to the Setup Utility program menu and select **Exit** and then **Save Settings** or **Save and exit the Setup Utility**.

**Note:** If you do not want to save the settings, select **Exit the Setup Utility without saving**.

---

## Selecting a startup device

If your computer does not start up (boot) from a device such as the CD-ROM, diskette, or hard disk as expected, use one of the following procedures to select a startup device.

### Selecting a temporary startup device

Use this procedure to startup from any boot device.

**Note:** Not all CDs, hard disks, and diskettes are startable (bootable).

1. Turn off your computer.
2. Press and hold the F12 key then turn on the computer. When the Startup Device Menu appears, release the F12 key.

**Note:** If you are using a USB keyboard and the Startup Device Menu does not display using this method, repeatedly press and release the F12 key rather than leaving it pressed when turning on the computer.

3. Select the desired startup device from the Startup Device Menu and press Enter to begin.

**Note:** Selecting a startup device from the Startup Device menu does not permanently change the startup sequence.

### Changing the startup device sequence

To view or permanently change the configured startup device sequence, do the following:

1. Start the Setup Utility program (see “Starting the Setup Utility program” on page 45).
2. Select **Startup**.
3. Select **Startup Sequence**. See the information displayed on the right side of the screen.
4. Select the devices for the Primary Startup Sequence, the Automatic Startup Sequence, and the Error Startup Sequence.
5. Select **Exit** from the Setup Utility menu and then **Save Settings** or **Save and exit the Setup Utility**.

If you have changed these settings and want to return to the default settings, select **Load Default Settings** on the Exit menu.

---

## Advanced settings

On some computer models the Advanced settings menu includes a setting to Enable/Disable HyperThreading. This feature works only with HyperThreading-aware operating systems, such as Microsoft Windows XP. The default setting for HyperThreading is Enabled. However, if you select **Set Defaults** and are using an operating system other than Windows XP, your computer performance might be degraded. Therefore, you should always set HyperThreading to Disabled unless you are sure your operating system supports HyperThreading.

---

## Exiting from the Setup Utility program

When you finish viewing or changing settings, press Esc to return to the Setup Utility program menu (you might have to press Esc several times). If you want to save the new settings, select **Save Settings** or **Save and exit the Setup Utility**. Otherwise, your changes will not be saved.

---

## Chapter 6. Updating system programs

This chapter contains information about updating POST/BIOS and how to recover from a POST/BIOS update failure.

---

### Using system programs

System programs are the basic layer of software that is built into your computer. They include the power-on self-test (POST), the basic input/output system (BIOS) code, and the Setup Utility program. POST is a set of tests and procedures that is performed each time you turn on your computer. BIOS is a layer of software that translates instructions from other layers of software into electrical signals that the computer hardware can understand. You can use the Setup Utility program to view and change the configuration and setup of your computer.

Your computer system board has a module called electrically erasable programmable read-only memory (EEPROM, also referred to as flash memory). You can easily update POST, BIOS, and the Setup Utility program by starting your computer using a flash update diskette or by running a special update program from your operating system.

Lenovo might make changes and enhancements to the POST/BIOS. When updates are released, they are available as downloadable files on the Lenovo Web site at <http://www.lenovo.com>. Instructions for using the POST/BIOS updates are available in a .txt file that is included with the update files. For most models, you can download either an update program to create a system-program-update (flash) diskette or an update program that can be run from the operating system.

**Note:** You can download a self starting bootable CD image (known as an .iso image) of the diagnostics program from <http://www.lenovo.com> to support systems without a diskette drive.

---

### Updating (flashing) BIOS from a diskette or CD-ROM

To update (flash) the BIOS from a diskette or CD-ROM, do the following:

1. Insert a system program update (flash) diskette or CD-ROM into the diskette drive or optical drive. System program updates are available at <http://www.lenovo.com/support> on the World Wide Web.

**Note:** If you are inserting a CD-ROM into the optical drive, make sure that the computer is turned on.

2. Turn on the computer. If it is on already, you must turn it off and back on again. The update begins.
3. When you are prompted to select a language, press the number on your keyboard that corresponds to the language and then press Enter.
4. When prompted to change the serial number, press Y.
5. Type in the seven character serial number of your computer and then press Enter.
6. When prompted to change the machine type/model, press Y.
7. Type in the seven character machine type/model of your computer and then press Enter.

8. Follow the instructions on the screen to complete the update.

---

## Updating (flashing) BIOS from your operating system

**Note:** Due to constant improvements being made to the Web site, Web page content (including the links referenced in the following procedure) is subject to change.

1. From your browser, type <http://www.lenovo.com/support> in the address field and press Enter.
2. Locate the Downloadable files for your machine type as follows:
  - a. Under Use Quick path, type your machine type and click **Go**.
  - b. Click **Continue**.
  - c. Click **Downloads and drivers**.
  - d. Under the BIOS category, click the Flash BIOS update.
  - e. Click the .txt file that contains the installation instructions for the flash BIOS update (flash from the operating system version).
3. Print these instructions. This is very important since they are not on the screen after the download begins.
4. From your browser, click **Back** to return to the list of files. Carefully follow the printed instructions to download, extract, and install the update.

---

## Recovering from a POST/BIOS update failure

If power to your computer is interrupted while POST/BIOS is being updated (flash update), your computer might not restart correctly. If this happens, perform the following procedure commonly called Boot-block Recovery.

1. Turn off the computer and any attached devices, such as printers, monitors, and external drives.
2. Unplug all power cords from electrical outlets, and open the computer cover. See "Opening the cover" on page 20
3. Access the system board. See "Accessing system board components and drives" on page 22.
4. Locate the Clear CMOS/Recovery jumper on the system board. See "Identifying parts on the system board" on page 23.
5. Remove any cables that impede access to the Clear CMOS/Recovery jumper.
6. Move the jumper from the standard position (pins 1 and 2) to pins 2 and 3.
7. Reinstall the PCI riser assembly if removed.
8. Close the computer cover and reconnect any cables that were disconnected. See "Closing the cover and connecting the cables" on page 35.
9. Reconnect the power cords for the computer and monitor to electrical outlets.
10. Insert the POST/BIOS update (flash) diskette into drive A, and turn on the computer and the monitor.
11. The recovery session will take two to three minutes. During this time you will hear a series of beeps. After the update session is completed, there will be no video, the series of beeps will end, and the system will automatically turn off. Remove the diskette from the diskette drive.
12. Repeat steps 2 through 5.
13. Replace the Clear CMOS/Recovery jumper to its original position.
14. Reinstall the PCI riser assembly if removed.

15. Close the computer cover and reconnect any cables that were disconnected.
16. Turn on the computer to restart the operating system.



---

## Chapter 7. Troubleshooting and diagnostics

This chapter describes some basic troubleshooting and diagnostic programs. If your computer problem is not described here, see Chapter 8, "Getting information, help, and service," on page 61 for additional troubleshooting resources.

---

### Basic troubleshooting

The following table provides information to help you troubleshoot your computer problem.

Symptom	Action
The computer does not start when you press the power button.	<p>Verify that:</p> <ul style="list-style-type: none"><li>• The power cord is plugged into the rear of the computer and into a working electrical outlet.</li><li>• If your computer has a secondary power switch on the back of the computer, ensure that it is switched on.</li><li>• The power indicator on the front of the computer is on.</li><li>• The voltage is set to the correct setting for your country.</li></ul> <p>If you cannot correct the problem, have the computer serviced. Refer to the safety and warranty information that is provided with your computer for a list of service and support telephone numbers.</p>
The monitor screen is blank.	<p>Verify that:</p> <ul style="list-style-type: none"><li>• The monitor cable is securely attached to the rear of the monitor and to the rear of the computer.</li><li>• The monitor power cord is plugged into the monitor and into a working electrical outlet.</li><li>• The monitor is turned on and the brightness and contrast controls are set correctly.</li><li>• The voltage is set to the correct setting for your country.</li><li>• The monitor signal cable is securely connected to the monitor and to the monitor connector on the computer.</li></ul> <p><b>Note:</b> If your computer has two monitor connectors, verify that your monitor is connected to the one in the AGP option connector rather than the one in the rear of the system board. For more information, "Connecting your computer" on page 3.</p> <p>If you cannot correct the problem, have the computer serviced. Refer to the safety and warranty information that is provided with your computer for a list of service and support telephone numbers.</p>

Symptom	Action
The keyboard does not work. The computer does not respond to the keyboard.	<p>Verify that:</p> <ul style="list-style-type: none"> <li>• The computer is turned on.</li> <li>• The monitor is turned on and the brightness and contrast controls are set correctly.</li> <li>• The keyboard is securely connected to the keyboard connector on the computer.</li> <li>• No keys are stuck.</li> </ul> <p>If you cannot correct the problem, have the computer serviced. Refer to the safety and warranty information that is provided with your computer for a list of service and support telephone numbers.</p>
The Enhanced Performance USB Keyboard does not work.	<p>Verify that:</p> <ul style="list-style-type: none"> <li>• The computer is turned on.</li> <li>• The keyboard is securely connected to a USB connector on the front or rear of the computer.</li> <li>• No keys are stuck.</li> </ul> <p>If you cannot correct the problem, have the computer serviced. Refer to the safety and warranty information that is provided with your computer for a list of service and support telephone numbers.</p>
The mouse does not work. The computer does not respond to the mouse.	<p>Verify that:</p> <ul style="list-style-type: none"> <li>• The computer is turned on.</li> <li>• The mouse is securely connected to the mouse connector on the computer.</li> <li>• The mouse is clean. Refer to "Cleaning the mouse" on page 57 for further information.</li> </ul> <p>If you cannot correct the problem, have the computer serviced. Refer to the safety and warranty information that is provided with your computer for a list of service and support telephone numbers.</p>
The operating system will not start.	<p>Verify that:</p> <ul style="list-style-type: none"> <li>• There is no diskette in the diskette drive.</li> <li>• The startup sequence includes the device where the operating system resides. Usually, the operating system is on the hard disk. See "Selecting a startup device" on page 47 for more information.</li> </ul> <p>If you cannot correct the problem, have the computer serviced. Refer to the safety and warranty information that is provided with your computer for a list of service and support telephone numbers.</p>
The computer beeps multiple times before the operating system starts.	<p>Verify that no keys are stuck down.</p> <p>If you cannot correct the problem, have the computer serviced. Refer to the safety and warranty information that is provided with your computer for a list of service and support telephone numbers.</p>

## Diagnostic programs

Diagnostic programs are used to test hardware components of your computer and report operating-system-controlled settings that can cause hardware failures. There are two diagnostic programs preinstalled on your computer to help you diagnose problems:

- PC-Doctor for Windows (used when diagnosing problems while running the Windows operating system)



- PC-Doctor for DOS or PC-Doctor for Windows PE, depending upon your machine type and model (used when your Windows operating system will not start)

**Notes:**

1. You can download the latest version of the PC-Doctor for Windows or PC-Doctor for DOS diagnostic programs from <http://www.lenovo.com/support/>. Type your machine type into the **Use Quick Path** field and click **Go** to find the downloadable files that are specific to your computer.
2. If you are unable to isolate and repair the problem yourself after you run PC-Doctor for Windows and depending upon your machine type and model, PC-Doctor for DOS or PC-Doctor for Windows PE, save and print the log files created by both diagnostic programs. You will need the log files when you speak to a Lenovo technical support representative. (The log file created by PC-Doctor for Windows is automatically saved in C:\PCDR\DETAILED.TXT.)

## PC-Doctor for Windows

PC-Doctor for Windows is a diagnostic program that works through the Windows operating system. The PC-Doctor for Windows diagnostic program enables you to view symptoms and solutions for computer problems, access the Lenovo troubleshooting center, update system drivers, and review system information.

To run PC-Doctor for Windows, open the Start menu from the Windows desktop, select **All Programs**, select **PC-Doctor for Windows**, and click **PC-Doctor for Windows**. Follow the instructions on the screen. For additional information about running the diagnostic program, refer to the PC-Doctor for Windows help system.

If you still suspect a problem after PC-Doctor for Windows runs successfully, run PC-Doctor for DOS or PC- Doctor for Windows PE to help you diagnose your computer problem.

## PC-Doctor for DOS

Depending upon your machine type and model, you either have PC- Doctor for DOS or PC-Doctor for Windows PE on your Lenovo computer. The PC-Doctor for DOS diagnostic program is part of the Rescue and Recovery workspace and runs independently of the Windows operating system. Use PC-Doctor for DOS, if you are unable to start the Windows operating system or if PC-Doctor for Windows has not been successful in isolating a possible problem. You can run PC-Doctor for DOS from a diagnostic CD image or diagnostic diskettes that you create. You can also run PC-Doctor for DOS from the Rescue and Recovery workspace.

**Note:** Be sure to create a diagnostic CD image or diagnostic diskettes in case you are unable to run PC-Doctor for DOS from the Rescue and Recovery workspace.

### Creating a diagnostic CD image

To create a diagnostic CD image, download a self-starting bootable CD image (known as an .iso image) of the diagnostic program from <http://www.lenovo.com/support/>. After you download the image, you can create the CD using any CD burning software.

If your computer does not have a CD burner or you do not have Internet access, see “Creating diagnostic diskettes” on page 56.

## Creating diagnostic diskettes

To create diagnostic diskettes, download the PC-Doctor for DOS diagnostic program from <http://www.lenovo.com/support/> onto two blank, formatted diskettes.

If you do not have Internet access, create the diagnostic diskettes using the following procedure:

**Note:** You will need a diskette drive on your computer or a USB diskette drive to complete this procedure.

1. Shut down the operating system and turn off the computer.
2. If you are using a USB diskette drive, plug it into the computer.
3. Repeatedly press and release the F11 key as you turn on the computer.
4. When you hear beeps or see a logo screen, stop pressing the F11 key. The Rescue and Recovery workspace opens.

**Note:** For some models, press the Esc key to enter Rescue and Recovery.

5. From the Rescue and Recovery workspace, select **Create diagnostic disks**.
6. Follow the instructions on the screen.
7. When prompted, insert a blank, formatted diskette into the diskette drive and continue to follow the instructions on the screen.
8. When the operation is complete, remove the diskette and click **Quit**.
9. Insert another blank, formatted diskette into the diskette drive and continue to follow the instructions on the screen.
10. When the operation is complete, remove the diskette and click **Quit**.

## Running diagnostics from the CD or diskettes

To run diagnostics from the diagnostic CD image or diagnostic diskettes that you created, use the following procedure:

1. Make sure your computer is turned off.
2. If you are running diagnostics from diskettes using a USB diskette drive, plug in the USB device.
3. Insert the CD into the optical drive or the first diagnostic diskette into the diskette drive.
4. Restart the computer.

**Note:** If the diagnostic program does not start, you might not have your optical drive or diskette drive set as a startable device. See “Selecting a startup device” on page 47 for instructions on how to change the startup device.

5. When the diagnostics program opens, follow the instructions on the screen.

**Note:** If you are running diagnostics from a diskette, when prompted, remove the first diskette and insert the second diskette.

6. When the program finishes, be sure to remove the CD or diskette from the drive.
7. Select the diagnostic test you want to run. Press the F1 key for additional help.

## Running diagnostics from the Rescue and Recovery workspace

If you did not create a diagnostic CD image or diagnostic diskettes, you can run the PC-Doctor for DOS diagnostic program from the Rescue and Recovery workspace. To run diagnostics from the Rescue and Recovery workspace, use the following procedure:

1. Shut down the operating system and turn off the computer.
2. Repeatedly press and release the F11 key as you turn on the computer.
3. When you hear beeps or see a logo screen, stop pressing the F11 key. The Rescue and Recovery workspace opens.

**Note:** For some models, press the Esc key to enter Rescue and Recovery.

4. From the Rescue and Recovery workspace, select **Diagnose hardware**.
5. Follow the prompts on the screen. The computer will reboot.
6. When the computer restarts, the diagnostic program opens automatically. Select the diagnostic test you want to run. Press the F1 key for additional help.

## PC-Doctor for Windows PE

Depending upon your machine type and model, you either have PC-Doctor for DOS or PC-Doctor for Windows PE on your Lenovo computer. The PC-Doctor for Windows PE diagnostic program is part of the Rescue and Recovery workspace. Use PC-Doctor for Windows PE, if you are unable to start the Windows operating system or if PC-Doctor for Windows has not been successful in isolating a possible problem.

### Running diagnostics from the Rescue and Recovery workspace

You can run the PC-Doctor for Windows PE diagnostic program from the Rescue and Recovery workspace. To run diagnostics from the Rescue and Recovery workspace, use the following procedure:

1. Shut down the operating system and turn off the computer.
2. Repeatedly press and release the F11 key as you turn on the computer.
3. When you hear beeps or see a logo screen, stop pressing the F11 key. The Rescue and Recovery workspace opens.
4. From the Rescue and Recovery workspace, select **Diagnose hardware**.
5. The diagnostic program opens automatically. Select the diagnostic test you want to run. Press the F1 key for additional help.
6. Follow the instructions on the screen.

**Note:** Rescue media includes PC-Doctor for Windows PE. For more information about rescue media, see “Creating and using rescue media” on page 40.

---

## Cleaning the mouse

This section provides instructions on how to clean your mouse. The procedure will be different depending on whether you have an optical or non-optical mouse.

### Optical mouse

An optical mouse uses a light-emitting diode (LED) and an optical sensor to navigate the pointer. If the pointer on the screen does not move smoothly with the optical mouse, you might need to clean the mouse. Use the following procedure to clean the optical mouse:

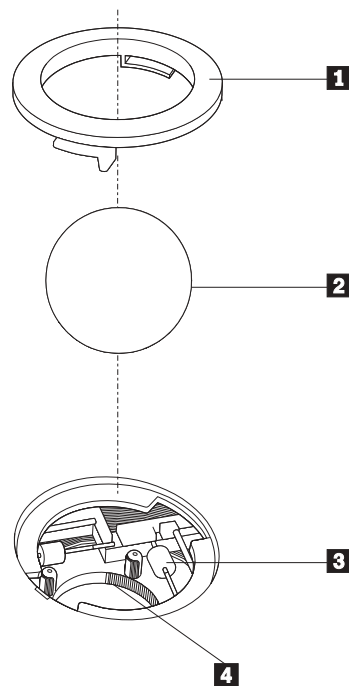
1. Turn off your computer.
2. Disconnect the mouse cable from the computer.
3. Turn the mouse upside down to look at the lens.
  - a. If there is a smudge on the lens, gently clean the area with a plain cotton-tipped swab.

- b. If there is some debris in the lens, gently blow the debris away from the area.
4. Check the surface on which you are using the mouse. If you have a very intricate picture or pattern beneath the mouse it may be difficult for the digital signal processor (DSP) to determine changes in the mouse position.
5. Reconnect the mouse cable to the computer.
6. Turn your computer back on.

## Non-optical mouse

The non-optical mouse uses a ball to navigate the pointer. If the pointer on the screen does not move smoothly with the mouse, you might need to clean the mouse. Use the following procedure to clean the non-optical mouse:

**Note:** The following illustration might be slightly different from your mouse.



- 1** Retainer ring
- 2** Ball
- 3** Plastic rollers
- 4** Ball cage

To clean a mouse with a ball, follow the instructions below:

1. Turn off your computer.
2. Disconnect the mouse cable from the computer.
3. Turn the mouse upside down. Twist the retainer ring **1** to the unlocked position to remove the ball.
4. Place your hand over the retainer ring and ball **2**, and then turn the mouse right-side up, so that the retainer ring and ball fall out into your hand.
5. Wash the ball in warm, soapy water then dry it with a clean cloth.
6. Blow air carefully into the ball cage **4** to dislodge dust and lint.

7. Look for a build up of dirt on the plastic rollers **3** inside the ball cage. This build up usually appears as a stripe running across the middle of the rollers.
8. If the rollers are dirty, clean them by using a cotton swab soaked in isopropyl (rubbing) alcohol. Turn the rollers with your finger and continue swabbing them until all the dirt is removed. Be sure the rollers are still centered in their channels after you clean them.
9. Remove any fibers from the swab that might be remaining on the rollers.
10. Replace the ball and the retainer ring. Twist the retainer ring to the locked position.
11. Reconnect the mouse cable to the computer.
12. Turn your computer back on.



---

## Chapter 8. Getting information, help, and service

If you need help, service, or technical assistance or just want more information about products manufactured by Lenovo, you will find a wide variety of sources available from Lenovo to assist you.

---

### Information resources

This section provides information on how to access useful resources relating to your computing needs.

#### Online Books folder

The Online Books folder provides publications to help you set up and use your computer. The Online Books folder is preinstalled on your computer and requires no Internet access to view the publications. In addition to this *User Guide* you are reading, the *Hardware Replacement Guide* is also available in the Online Books folder.

The *Hardware Replacement Guide* provides step-by-step instructions for replacing Customer Replacement Units (CRUs) in your computer. CRUs are computer parts that can be upgraded or replaced by the customer.

To view a publication, open the Start menu from the Windows desktop, select **All Programs**, select **Online Books**, and click **Online Books**. Double-click on the appropriate publication for your computer. The publications also are available on the Lenovo Web site at <http://www.lenovo.com>.

#### Notes:

1. These publications are in Portable Document Format (PDF) format, which requires Adobe Acrobat Reader to be installed. If Adobe Acrobat Reader has not yet been installed on your computer, a message will appear when you attempt to view the PDF file and you will be guided through the Adobe Acrobat Reader installation.
2. The publications that are preinstalled on your computer are available in other languages on the Lenovo Support Web site at <http://www.lenovo.com/support/>.
3. If you want to install a different language version of Adobe Acrobat Reader than the version provided on your computer, go to the Adobe Web site at <http://www.adobe.com> and download the version you want to use.

#### ThinkVantage Productivity Center

The ThinkVantage Productivity Center program guides you to a host of information sources and tools designed to make computing simpler and more secure while helping to reduce costs and increase productivity. The ThinkVantage Productivity Center program helps you set up, understand, and enhance your computer.

The ThinkVantage Productivity Center program provides information about your computer and easy access to various technologies, such as:

- The Rescue and Recovery program
- Productivity Center

- Client Security Solutions
- Factory Recovery
- System Updates
- Service and support

**Note:** ThinkVantage Technologies are only available on select Lenovo computers.

To access the ThinkVantage Productivity Center program, open the Start menu from the Windows desktop, select **All Programs**, select **ThinkVantage**, and click **Productivity Center**.

## Access Help

The Access Help online help system provides information about getting started, doing basic tasks, customizing settings for your personal preference, protecting data, expanding and upgrading, and troubleshooting.

To open Access Help, open the Start menu from the Windows desktop, select **All Programs**, select **ThinkVantage**, and click **Access Help**. After you have opened Access Help, use the left panel to make a selection from the Contents or Index tab, or use the Search tab to find a particular word or phrase.

## Safety and Warranty

The safety and warranty information that is provided with your computer contains information on safety, warranty, notices, and Customer Replacement Units (CRUs). For more information on CRUs, see “Service and upgrades” on page vi.

## www.lenovo.com

The Lenovo Web site ([www.lenovo.com](http://www.lenovo.com)) provides an extensive amount of information and services to help you buy, upgrade, and maintain your computer. You can access the most up-to-date information for your computer on the Lenovo Web site. From the [www.lenovo.com](http://www.lenovo.com) Web site, you can also:

- Shop for desktop and notebook computers, monitors, projectors, upgrades and accessories for your computer, and special offers.
- Purchase additional services, such as support for hardware, operating systems, application programs, network setup and configuration, and custom installations.
- Purchase upgrades and extended hardware repair services.
- Download the latest device drivers and software updates for your computer model.
- Access the online manuals for your products.
- Access the Lenovo Statement of Limited Warranty.
- Access troubleshooting and support information for your computer model and other supported products.
- Find the service and support phone number for your country or region.
- Find a service provider located near you.

---

## Help and service

If you need help and service for your computer, you will find a wide variety of sources available to help you.



## Using the documentation and diagnostic programs

Many computer problems can be solved without outside assistance. If you experience a problem with your computer, see Chapter 7, “Troubleshooting and diagnostics,” on page 53. For information on additional resources to help you troubleshoot your computer problem, see “Information resources” on page 61.

If you suspect a software problem, see the documentation, including README files and online help, that comes with the operating system or application program.

Most computers come with a set of diagnostic programs that you can use to help you identify hardware problems. For instructions on using the diagnostic programs, see “Diagnostic programs” on page 54.

The troubleshooting information or the diagnostic programs might tell you that you need additional or updated device drivers or other software. Lenovo maintains pages on the World Wide Web where you can get the latest technical information and download device drivers and updates. To access these pages, go to <http://www.lenovo.com/support/> and follow the instructions.

## Calling for service

If you have tried to correct the problem yourself and still need help, during the warranty period you can get help and information by telephone through the Customer Support Center. The following services are available during the warranty period:

- **Problem determination** - Trained personnel are available to assist you with determining if you have a hardware problem and deciding what action is necessary to fix the problem.
- **Hardware repair** - If the problem is determined to be caused by hardware under warranty, trained service personnel are available to provide the applicable level of service.
- **Engineering Change management** - Occasionally, there might be changes that are required after a product has been sold. Lenovo or your reseller, if authorized by Lenovo, will make selected Engineering Changes (ECs) available that apply to your hardware.

**Note:** The following items are not covered:

- Replacement or use of parts not manufactured for or by Lenovo or nonwarranted Lenovo parts
- Identification of software problem sources
- Configuration of BIOS as part of an installation or upgrade
- Changes, modifications, or upgrades to device drivers
- Installation and maintenance of network operating systems (NOS)
- Installation and maintenance of application programs

Refer to the safety and warranty information that is provided with your computer for a full explanation of warranty terms. Be sure to retain your proof of purchase to obtain warranty service.

For a list of service and support phone numbers for your country or region, go to <http://www.lenovo.com/support/> and click **Support phone list** or refer to the safety and warranty information provided with your computer.

**Note:** Phone numbers are subject to change without notice. If the number for your country or region is not provided, contact your Lenovo reseller or Lenovo marketing representative.

If possible, be at your computer when you call and have the following information available:

- Machine type and model
- Serial numbers of your hardware products
- Description of the problem
- Exact wording of any error messages
- Hardware and software configuration information

## Using other services

If you travel with your computer or relocate it to a country where your desktop or notebook computer machine type is sold, your computer might be eligible for International Warranty Service, which automatically entitles you to obtain warranty service throughout the warranty period. Service will be performed by service providers authorized to perform warranty service.

Service methods and procedures vary by country, and some services might not be available in all countries. International Warranty Service is delivered through the method of service (such as depot, carry-in, or on-site service) that is provided in the servicing country. Service centers in certain countries might not be able to service all models of a particular machine type. In some countries, fees and restrictions might apply at the time of service.

To determine whether your computer is eligible for International Warranty Service and to view a list of the countries where service is available, go to <http://www.lenovo.com/support/>, click **Warranty**, and follow the instructions on the screen.

For technical assistance with the installation of or questions related to Service Packs for your preinstalled Microsoft Windows product, refer to the Microsoft Product Support Services Web site at <http://support.microsoft.com/directory/>, or you can contact the Customer Support Center. Some fees might apply.

## Purchasing additional services

During and after the warranty period, you can purchase additional services, such as support for hardware, operating systems, and application programs; network setup and configuration; upgraded or extended hardware repair services; and custom installations. Service availability and service name might vary by country or region. For more information about these services, go to the Lenovo Web site at <http://www.lenovo.com>.

---

## Appendix A. Manual modem commands

The following section lists commands for manually programming your modem.

Commands are accepted by the modem while it is in Command Mode. Your modem is automatically in Command Mode until you dial a number and establish a connection. Commands can be sent to your modem from a PC running communication software or any other terminal devices.

All commands sent to the modem must begin with **AT** and end with **ENTER**. All commands can be typed in either upper or lower case, but not mixed. To make the command line more readable, spaces can be inserted between commands. If you omit a parameter from a command that requires one, it is just like specifying a parameter of **0**.

Example:

**ATH [ENTER]**

---

### Basic AT commands

In the following listings, all default settings are printed in **bold text**.

Command		Function
A		Manually answer incoming call.
A/		Repeat last command executed. <b>Do not</b> precede A/ with AT or follow with ENTER.
D_		<b>0 - 9, A-D, # and *</b>
	L	last number redial
	P	pulse dialing
		<b>Note: Pulse dialing is not supported for Australia, New Zealand, Norway, and South Africa.</b>
	T	<b>touch-tone dialing</b>
	W	wait for second dial tone
	,	pause
	@	wait for five seconds of silence
	!	flash
	;	return to Command Mode after dialing
DS=n		Dial one of the four telephone numbers (n=0-3) stored in the modem non-volatile memory.
E_	E0	Commands are not echoed
	E1	<b>Commands are echoed</b>
+++		Escape Characters - Switch from Data Mode to Command Mode (T.I.E.S. Command)
H_	H0	Force modem on-hook (hang up)

Command		Function
	H1	Force modem off-hook (make busy) <b>Note: H1 command is not supported for Italy</b>
I_	I0	Display product-identification code
	I1	Factory ROM checksum test
	I2	Internal memory test
	I3	Firmware ID
	I4	Reserved ID
L_	L0	Low speaker volume
	L1	<b>Low speaker volume</b>
	L2	Medium speaker volume
	L3	High speaker volume
M_	M0	Internal speaker off
	M1	<b>Internal speaker on until carrier detected</b>
	M2	Internal speaker always on
	M3	Internal speaker on until carrier detected and off while dialing
N_		Included for compatibility only, provides no effect
O_	O0	Return to Data Mode
	O1	Return to Data Mode and initiate an equalizer retrain
P		<b>Set Pulse dial as default</b>
Q_	Q0	Modem sends responses
Sr?		Read and display value in register r.
Sr=n		Set register r to value n (n = 0-255).
T		<b>Set Tone Dial as default</b>
V_	V0	<b>Numeric responses</b>
	V1	<b>Word responses</b>
W_	W0	<b>Report DTE speed only</b>
	W1	Report line speed, error correction protocol, and DTE speed.
	W2	Report DCE speed only
X_	X0	Hayes Smartmodem 300 compatible responses/blind dialing.
	X1	Same as X0 plus all CONNECT responses/blind dialing
	X2	Same as X1 plus dial tone detection
	X3	Same as X1 plus busy detection/blind dialing
	X4	All responses and dial tone and busy <b>signal detection</b>
Z_	Z0	Reset and retrieve active profile 0
	Z1	Reset and retrieve active profile 1

## Extended AT commands

Command		Function
&C_	&C0	Force Carrier Detect Signal High (ON)
	&C1	<b>Turn on CD when remote carrier is present</b>
&D_	&D0	<b>Modem ignores the DTR signal</b>
	&D1	Modem returns to Command Mode after DTR toggle
	&D2	<b>Modem hangs up, returns to the Command Mode after DTR toggle</b>
	&D3	Resets modem after DTR toggle
&F_	&F	Recall factory default configuration
&G_	&G0	<b>Guard tone disabled</b>
	&G1	Guard tone disabled
	&G2	1800 Hz guard tone
&K_	&K0	Disable flow control
	&K3	<b>Enable RTS/CTS hardware flow control</b>
	&K4	Enable XON/XOFF software flow control
	&K5	Enable transparent XON/XOFF flow control
	&K6	Enable both RTS/CTS and XON/XOFF flow control
&M_	&M0	Asynchronous operation
&P_	&P0	<b>US setting for off-hook-to-on-hook ratio</b>
	&P1	UK and Hong Kong off-hook-to-on-hook ratio
	&P2	Same as &P0 setting but at 20 pulses per minute
	&P3	Same as &P1 setting but at 20 pulses per minute
&R_	&R0	Reserved
	&R1	<b>CTS operates per flow control requirements</b>
&S_	&S0	<b>Force DSR Signal High (ON)</b>
	&S1	DSR off in command mode, on in on-line mode
&T_	&T0	Ends test in progress
	&T1	Perform Local Analog Loopback Test
	&T3	Perform Local Digital Loopback Test
	&T4	<b>Grant Remote Digital Loopback Test request by remote modem</b>
	&T5	Deny Remote Digital Loopback Test request
	&T6	Perform a Remote Digital Loopback Test
	&T7	Perform a Remote Digital Loopback Test and Self-Test
	&T8	Perform Local Analog Loopback Test and Self-Test
&V	&V0	Displays Active and Stored Profiles

Command		Function
	&V1	Display Last Connection Statistics
&W_	&W0	Stores the active profile as Profile 0
	&W1	Stores the active profile as Profile 1
%E_	%E0	<b>Disable auto-retrain</b>
	%E1	Enable auto-retrain
+MS?		Displays the current Select Modulation settings
+MS=?		Displays a list of supported Select Modulation options
+MS=a,b,c,e,f		Select modulation where: <b>a</b> =0, 1, 2, 3, 9, 10, 11, 12, 56, 64, 69; <b>b</b> =0-1; <b>c</b> =300-56000; <b>d</b> =300-56000; <b>e</b> =0-1; and <b>f</b> =0-1. <b>A, b, c, d, e, f</b> default= <b>12, 1, 300, 56000, 0, 0</b> . Parameter " <b>a</b> " specifies the modulation protocol desired where: 0=V.21, 1=V.22, 2=V.22bis, 3=V.23, 9=V.32, 10=V.32bis, 11=V.34, 12=V.90,K56Flex,V.34.....,56=K 56Flex, V.90,V.34....., 64=Bell 103, and 69=Bell 212. Parameter " <b>b</b> " specifies automode operations where: 0=automode disabled, 1= automode enabled with V.8/V.32 Annex A. Parameter " <b>c</b> " specifies the minimum connection data rate (300- 56000). Parameter " <b>d</b> " specifies the maximum connection rate (300-56000); Parameter " <b>e</b> " specifies the codec type (0= Law, and 1=A-Law). Parameter " <b>f</b> " specifies "robbed bit" signaling detection (0=detection disabled 1=detection enabled)

## MNP/V.42/V.42bis/V.44 commands

Command		Function
%C_	%C0	Disable MNP Class 5 and V.42bis data compression
	%C1	Enable MNP Class 5 data compression only
	%C2	Enable V.42bis data compression only
	%C3	<b>Enable MNP Class 5 and V.42bis data compression</b>
&Q_	&Q0	Direct data link only (same as \N1)
	&Q5	<b>V.42 data link with fallback options</b>
	&Q6	Normal data link only (same as \N0)
+DS44=0, 0		Disable V.44
+DS44=3, 0		Enable V.44
+DS44?		Current values
+DS44=?		List of support values

---

## Fax Class 1 commands

<b>+FAE=n</b>	Data/Fax Auto Answer
<b>+FCLASS=n</b>	Service Class
<b>+FRH=n</b>	Receive data with HDLC framing
<b>+FRM=n</b>	Receive data
<b>+FRS=n</b>	Receive silence
<b>+FTH=n</b>	Transmit data with HDLC framing
<b>+FTM=n</b>	Transmit data
<b>+FTS=n</b>	Stop transmission and wait

---

## Fax Class 2 commands

<b>+FCLASS=n</b>	Services class.
<b>+FAA=n</b>	Adaptive answer.
<b>+FAXERR</b>	Fax error value.
<b>+FBOR</b>	Phase C data bit order.
<b>+FBUF?</b>	Buffer size (read only).
<b>+FCFR</b>	Indicate confirmation to receive.
<b>+FCLASS=</b>	Service class.
<b>+FCON</b>	Facsimile connection response.
<b>+FCIG</b>	Set the polled station identification.
<b>+FCIG:</b>	Report the polled station identification.
<b>+FCR</b>	Capability to receive.
<b>+FCR=</b>	Capability to receive.
<b>+FCSI:</b>	Report the called station ID.
<b>+FDCC=</b>	DCE capabilities parameters.
<b>+FDCS:</b>	Report current session.
<b>+FDCS=</b>	Current session results.
<b>+FDIS:</b>	Report remote capabilities.
<b>+FDIS=</b>	Current sessions parameters.
<b>+FDR</b>	Begin or continue phase C receive data.
<b>+FDT=</b>	Data transmission.
<b>+FDTC:</b>	Report the polled station capabilities.
<b>+FET:</b>	Post page message response.
<b>+FET=N</b>	Transmit page punctuation.
<b>+FHNG</b>	Call termination with status.
<b>+FK</b>	Session termination.
<b>+FLID=</b>	Local ID string.
<b>+FLPL</b>	Document for polling.
<b>+FMDL?</b>	Identify model.
<b>+FMFR?</b>	Identify manufacturer.

<b>+FPHCTO</b>	Phase C time out.
<b>+FPOLL</b>	Indicates polling request.
<b>+FPTS:</b>	Page transfer status.
<b>+FPTS=</b>	Page transfer status.
<b>+FRECV?</b>	Identify revision.
<b>+FSPT</b>	Enable polling.
<b>+FTSI:</b>	Report the transmit station ID.

---

## Voice commands

<b>#BDR</b>	Select Baud Rate
<b>#CID</b>	Enable Caller ID detection and reporting format
<b>#CLS</b>	Select Data, Fax or Voice/Audio
<b>#MDL?</b>	Identify Model
<b>#MFR?</b>	Identify Manufacturer
<b>#REV?</b>	Identify Revision Level
<b>#TL</b>	Audio output transmit level
<b>#VBQ?</b>	Query Buffer Size
<b>#VBS</b>	Bits per sample (ADPCM or PCM)
<b>#VBT</b>	Beep Tone Timer
<b>#VCI?</b>	Identify Compression Method
<b>#VLS</b>	Voice line select
<b>#VRA</b>	Ringback goes away timer
<b>#VRN</b>	Ringback never came timer
<b>#VRX</b>	Voice Receive Mode
<b>#VSDB</b>	Silence deletion tuner
<b>#VSK</b>	Buffer skid setting
<b>#VSP</b>	Silence detection period
<b>#VSR</b>	Sampling rate selection
<b>#VSS</b>	Silence deletion tuner
<b>#VTD</b>	DTMF tone reporting capability
<b>#VTM</b>	Enable timing mark placement
<b>#VTS</b>	Generate tone signals
<b>#VTX</b>	Voice transmit mode



**Attention Switzerland User:**

If your Swisscom phone line does not have Taxsignal switched OFF, modem function may be impaired. The impairment may be resolved by a filter with the following specifications:

Telekom PTT SCR-BE  
Taximpulssperrfilter-12kHz  
PTT Art. 444.112.7  
Bakom 93.0291.Z.N



---

## Appendix B. Notices

Lenovo may not offer the products, services, or features discussed in this document in all countries. Consult your local Lenovo representative for information on the products and services currently available in your area. Any reference to a Lenovo product, program, or service is not intended to state or imply that only that Lenovo product, program, or service may be used. Any functionally equivalent product, program, or service that does not infringe any Lenovo intellectual property right may be used instead. However, it is the user's responsibility to evaluate and verify the operation of any other product, program, or service.

Lenovo may have patents or pending patent applications covering subject matter described in this document. The furnishing of this document does not give you any license to these patents. You can send license inquiries, in writing, to:

*Lenovo (United States), Inc.  
500 Park Offices Drive, Hwy. 54  
Research Triangle Park, NC 27709  
U.S.A.  
Attention: Lenovo Director of Licensing*

LENOVO GROUP LTD. PROVIDES THIS PUBLICATION "AS IS" WITHOUT WARRANTY OF ANY KIND, EITHER EXPRESS OR IMPLIED, INCLUDING, BUT NOT LIMITED TO, THE IMPLIED WARRANTIES OF NON-INFRINGEMENT, MERCHANTABILITY OR FITNESS FOR A PARTICULAR PURPOSE. Some jurisdictions do not allow disclaimer of express or implied warranties in certain transactions, therefore, this statement may not apply to you.

This information could include technical inaccuracies or typographical errors. Changes are periodically made to the information herein; these changes will be incorporated in new editions of the publication. Lenovo may make improvements and/or changes in the product(s) and/or the program(s) described in this publication at any time without notice.

The products described in this document are not intended for use in implantation or other life support applications where malfunction may result in injury or death to persons. The information contained in this document does not affect or change Lenovo product specifications or warranties. Nothing in this document shall operate as an express or implied license or indemnity under the intellectual property rights of Lenovo or third parties. All information contained in this document was obtained in specific environments and is presented as an illustration. The result obtained in other operating environments may vary.

Lenovo may use or distribute any of the information you supply in any way it believes appropriate without incurring any obligation to you.

Any references in this publication to non-Lenovo Web sites are provided for convenience only and do not in any manner serve as an endorsement of those Web sites. The materials at those Web sites are not part of the materials for this Lenovo product, and use of those Web sites is at your own risk.

Any performance data contained herein was determined in a controlled environment. Therefore, the result obtained in other operating environments may

vary significantly. Some measurements may have been made on development-level systems and there is no guarantee that these measurements will be the same on generally available systems. Furthermore, some measurements may have been estimated through extrapolation. Actual results may vary. Users of this document should verify the applicable data for their specific environment.

---

## Television output notice

The following notice applies to models that have the factory-installed television-output feature.

This product incorporates copyright protection technology that is protected by method claims of certain U.S. patents and other intellectual property rights owned by Macrovision Corporation and other rights owners. Use of this copyright protection technology must be authorized by Macrovision Corporation, and is intended for home and other limited viewing uses only unless otherwise authorized by Macrovision Corporation. Reverse engineering or disassembly is prohibited.

---

## Trademarks

The following terms are trademarks of Lenovo in the United States, other countries, or both:

- Lenovo
- Rescue and Recovery
- ThinkCentre
- ThinkVantage

The following terms are trademarks of International Business Machines Corporation in the United States, other countries, or both:

- IBM
- Wake on LAN

Microsoft, Windows, and Windows Vista are trademarks of Microsoft Corporation in the United States, other countries, or both.

Intel, Celeron, Core, and Pentium are trademarks of Intel Corporation in the United States, other countries, or both.

Linux is a trademark of Linus Torvalds in the United States, other countries, or both.

Other company, product, or service names may be trademarks or service marks of others.

---

# Index

## A

- Access Help 62
- adapter
  - connectors 25
  - installing 25
  - peripheral component interconnect (PCI) 14
- antivirus software, updating 9
- arranging your workspace 1
- audio line in connector 19
- audio line out connector 19
- audio subsystem 12

## B

- battery, changing 33
- BIOS, updating (flashing) 49
- Boot-block recovery 50

## C

- cables, connecting 35
- changing
  - startup device sequence 47
- changing the battery 33
- closing the cover 35
- CMOS, clearing 34
- components, internal 21
- computer
  - connecting 3
  - shutting down 9
  - turning on computer 8
- connecting drives 29
- connector description 19
- connectors
  - front 17
  - rear 18
- cover
  - closing 35
  - opening 20
- Customer Replacement Units (CRUs) 62
- Customer Support Center 63

## D

- device drivers 19
- diagnostic
  - CD image 8, 55, 56
  - diskettes 8, 55, 56
  - PC-Doctor for DOS 54, 55
  - PC-Doctor for Windows 54, 55
  - PC-Doctor for Windows PE 54, 57
  - programs 54, 63
  - Rescue and Recovery workspace 56, 57
- diagnostic CD image
  - creating 55
  - running 56
- diagnostic diskettes
  - creating 56
  - running 56

- drives
  - bays 27
  - internal 26
  - specifications 27
- dual inline memory modules (DIMMs) 24

## E

- environment, operating 15
- Ethernet 12
- Ethernet connector 19
- exiting, Setup Utility 48
- expansion adapters 13
- external options 17

## F

- features 11

## H

- help and service 62

## I

- information resources 61
- input/output (I/O) features 12
- installing
  - operating system 9
  - software 8
- installing options
  - adapters 25
  - internal drives 26
  - memory modules 24
  - security features 32
- internal drives 12

## L

- Lenovo Web site 62
- locating components 21

## M

- memory
  - installing 24
- modem commands
  - Basic AT 65
  - Extended AT 67
  - Fax Class 1 69
  - Fax Class 2 69
  - MNP/V.42/V.42bis/V.44 68
  - Voice 70
- mouse, cleaning
  - non-optical 58
  - optical mouse 57

## N

non-optical mouse 58

## O

Online Books folder 61

opening the cover 20

operating system

installing 9

updating 9

optical mouse 57

options 14

available 14

external 14

internal 14

## P

parallel connector 19

password

administrator 46

erasing 34

lost or forgotten 34

setting, changing, deleting 46

user 46

passwords

considerations 45

PCI adapter 25

physical specifications 15

power

Advanced Configuration and Power Interface (ACPI)

support 13

features 13

turning off computer 9

turning on 8

power-on self-test (POST) 49

## R

recovering from a POST/BIOS update failure 50

Rescue and Recovery 37

riser card 25

## S

security

cable lock 33

features 13

selecting

startup device 47

temporary startup device 47

serial connector 19

Setup Utility 45

software

installing 8

system board

components, accessing 22

connectors 23

identifying parts 23

location 23

memory 14, 24

system management 12

system programs 49

## T

ThinkVantage Productivity Center 61

trademarks 74

troubleshooting 53

## U

updating

antivirus software 9

operating system 9

updating (flashing) BIOS 49

updating system programs 49

USB connectors 19

using

passwords 45

security profile by device 46

Setup Utility 45

## V

video subsystem 12

## W

warranty information 62



**ThinkCentre®**

Part Number: 42Y4610

Printed in USA

(1P) P/N: 42Y4610





## Free Manuals Download Website

<http://myh66.com>

<http://usermanuals.us>

<http://www.somanuals.com>

<http://www.4manuals.cc>

<http://www.manual-lib.com>

<http://www.404manual.com>

<http://www.luxmanual.com>

<http://aubethermostatmanual.com>

Golf course search by state

<http://golfingnear.com>

Email search by domain

<http://emailbydomain.com>

Auto manuals search

<http://auto.somanuals.com>

TV manuals search

<http://tv.somanuals.com>