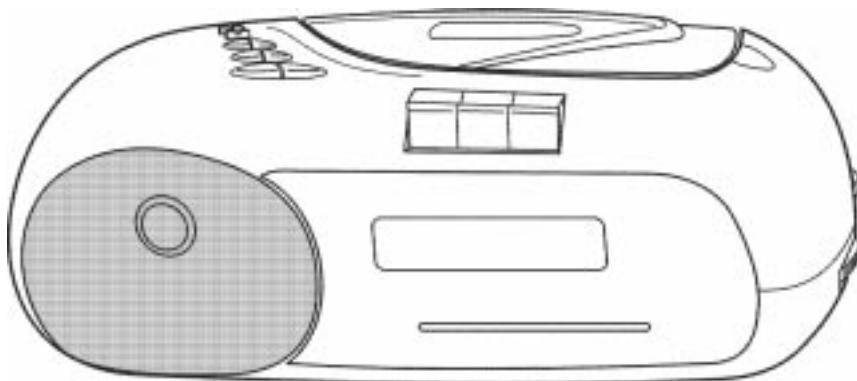


*Lenox Sound*<sup>®</sup>

# CASSETTE PLAYER WITH AM / FM CLOCK RADIO

MODEL CR-186

## OPERATING INSTRUCTIONS



- WAKE UP TO TAPE, RADIO OR ALARM
- AM/FM RADIO RECEIVER
- ELECTRONIC DIGITAL CLOCK
- PLAYS ALL STANDARD CASSETTE TAPES
- EASY TO SET CLOCK FUNCTIONS
- PM & AUTO INDICATORS
- SNOOZE BUTTON
- SLEEP TO MUSIC
- BATTERY BACK-UP (9V BATTERY, NOT INCLUDED)

---

PLEASE READ CAREFULLY BEFORE USE

# IMPORTANT SAFETY INSTRUCTIONS



The lightning flash and arrow head within the triangle is a warning sign alerting you of “dangerous voltage” inside the product.

## CAUTION RISK OF ELECTRIC SHOCK DO NOT OPEN

CAUTION: TO REDUCE THE RISK OF ELECTRIC SHOCK, DO NOT REMOVE COVER (OR BACK). NO USER SERVICEABLE PARTS INSIDE. REFER SERVICING TO QUALIFIED SERVICE PERSONNEL.



The exclamation point within the triangle is a warning sign alerting you of important instructions accompanying the product.

See bottom of the unit

**WARNING: TO REDUCE THE RISK OF FIRE OR ELECTRIC SHOCK, DO NOT EXPOSE THIS APPLIANCE TO RAIN OR MOISTURE.**

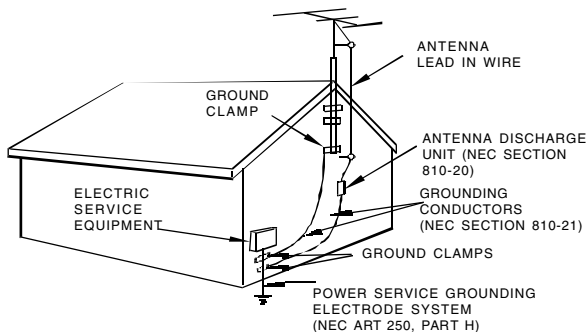
THESE IMPORTANT SAFETY INSTRUCTIONS ARE INCLUDED, AS APPLICABLE TO THE APPLIANCE, CONVEYING TO THE USER THE INFORMATION ITEMIZED BELOW:

1. **Read Instructions** - All the safety and operating instructions should be read before the appliance is operated.
2. **Retain Instructions** - The safety and operating instructions should be retained for future reference.
3. **Heed Warnings** - All warnings on the appliance and in the operating instructions should be adhered to.
4. **Follow Instructions** - All operating and use instructions should be followed.
5. **Water and Moisture** - The appliance should not be used near water - for example near a bathtub, washbowl, kitchen sink, laundry tub, in a wet basement, or near a swimming pool, and the like.
6. **Wall or Ceiling Mounting** - The appliance should not be mounted to a wall or ceiling.
7. **Ventilation** - The appliance should be situated so that its location or position does not interfere with its proper ventilation. For example, the appliance should not be situated on a bed, sofa, rug, or similar surface that may block the ventilation openings; or, placed in a built-in installation, such as a bookcase or cabinet that impede the flow air through the ventilation openings.
8. **Heat** - The appliance should be situated away from heat sources such as radiators, heat registers, stoves, or other appliances (including amplifiers) that produce heat.
9. **Power Sources** - The appliance should be connected to a power supply only of the type described in the operating instructions or as marked on the appliance.
10. **Grounding or Polarization** - Precautions should be taken so that the grounding or polarization means of an appliance is not defeated.
11. **Power Cord Protection** - Power supply cords should be routed so that they are not likely to be walked on or pinched by items placed upon or against them, paying particular attention to cords a plug, convenience receptacles, and the point where they exit from the appliance.

# IMPORTANT SAFETY INSTRUCTIONS

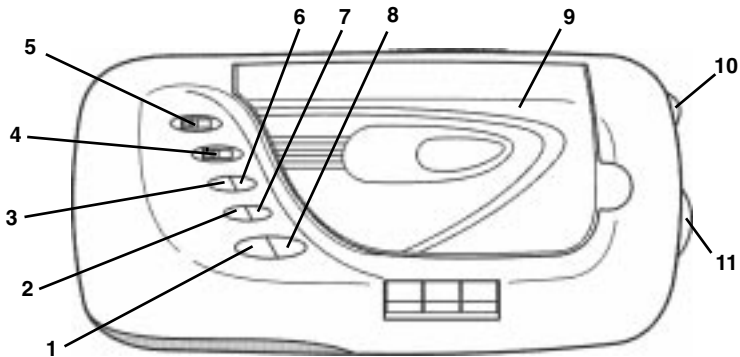
12. **Cleaning** - The appliance should be cleaned only as recommended by the manufacturer.
13. **Nonuse periods** - The power cord of the appliance should be unplugged from the outlet when left unused for a long period of time.
14. **Object and Liquid Entry** - Care should be taken so that objects do not fall and liquids are not spilled into the enclosure through openings.
15. **Damage Requiring Service** - The appliance should be serviced by qualified service personnel when:
  - A. The power supply cord or the plug has been damaged; or
  - B. Objects have fallen, or liquid been spilled into the appliance; or
  - C. The appliance has been exposed to rain; or
  - D. The appliance does not appear to operate normally or exhibits a marked change in performance; or
  - E. The appliance has been dropped, or the enclosure damaged.
16. **Servicing** - The user should not attempt to service the appliance beyond that described in the operating instructions. All other servicing should be referred to qualified service personnel.
17. **Power lines** - An outdoor antenna should be located away from power lines.
18. **Outdoor Antenna Grounding** - If an outside antenna is connected to the receiver, be sure the antenna system is grounded so as to provide some protection against voltage surges and built up static charges. Section 810 of the National Electrical Code, ANSI/NFPA 70 provides information with respect to proper grounding of the mast and supporting structure, grounding of the lead-in wire to an antenna discharge unit, size of grounding conductors, location of antenna-discharge unit, connection to grounding electrodes, and requirements for the grounding electrode. See Figure.

## EXAMPLE OF ANTENNA GROUNDING AS PER NATIONAL ELECTRICAL CODE

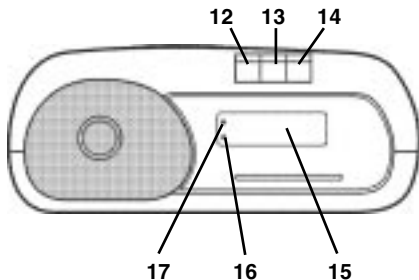


# LOCATION OF CONTROLS

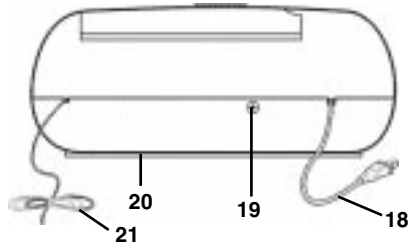
## TOP VIEW



## FRONT VIEW



## BOTTOM VIEW



- |                                       |   |
|---------------------------------------|---|
| 1. SLEEP BUTTON                       | 12. CASSETTE PLAY BUTTON                  |
| 2. ALARM SET/OFF BUTTON               | 13. CASSETTE FAST FORWARD BUTTON          |
| 3. HOUR SET BUTTON                    | 14. CASSETTE STOP BUTTON                  |
| 4. FUNCTION SWITCH (BUZZ/AUTO/OFF/ON) | 15. CLOCK DISPLAY                         |
| 5. BAND SWITCH (AM/FM)                | 16. AUTO INDICATOR LAMP (ALARM ON)        |
| 6. MINUTE SET BUTTON                  | 17. PM INDICATOR LAMP                     |
| 7. TIME SET BUTTON                    | 18. AC POWER CORD                         |
| 8. SNOOZE BUTTON                      | 19. EARPHONE JACK (EARPHONE NOT INCLUDED) |
| 9. CASSETTE DOOR                      | 20. 9V BATTERY COMPARTMENT (AT BOTTOM)    |
| 10. VOLUME CONTROL                    | (FOR OPTIONAL BATTERY BACK-UP)            |
| 11. TUNING CONTROL                    | 21. FM ANTENNA WIRE                       |
|                                       | (STRETCH OUT FOR BEST FM RECEPTION)       |

# OPERATING INSTRUCTIONS

Your new AM/FM CLOCK RADIO CASSETTE PLAYER is a specially designed all solid state set which, with proper care, will give you years of trouble-free service.

## Powering Up

Plug the AC POWER CORD into a 120V, 60Hz wall outlet . The CLOCK DISPLAY will light up or flash indicating the power is on.



### NOTE:

ONE BLADE OF THE PLUG IS WIDER THAN THE OTHER. ALSO DO NOT USE AN OUTLET CONTROLLED BY A WALL SWITCH.

**NOTE:** This cord is polarized. This means the cord will only fit one way into the socket or wall outlet. If it does not fit, do not force it, just reverse it and try again.

## BATTERY BACK-UP

If the AC cord is disconnected or if there is a short time power failure, this electronic clock and timer are designed to continue operating internally (without showing in the display) if a 9 volt battery (not included) is installed.

To connect the battery, locate the BATTERY COMPARTMENT on the bottom of the set. Open the BATTERY COMPARTMENT by pushing in on the tab, open the door, and connect the battery to the terminals of the battery snap inside the compartment (Alkaline battery is recommended). Replace the battery compartment door. The back-up battery will keep your alarm and time setting to avoid your having to reset these if power fails.

**NOTE:** Be sure to check the condition of the battery every few months by disconnecting the AC cord and connecting it again 2 or 3 minutes later. The preset times will show. If the time flashes, it indicates the battery is dead or not connected properly.

**The radio will work fine without this back up battery.**

### BATTERY PRECAUTION

Follow these precautions when using a battery in this device:

1. Use only the size and type of battery specified (9 volt)
2. Be sure to follow the correct polarity when installing the battery as indicated in the battery compartment .
3. If the device is not to be used for a long period of time, remove the battery to prevent damage or injury from possible battery leakage.
4. Do not try to recharge batteries not intended to be recharged; they can overheat and rupture (Follow battery manufacturer's directions).

## Setting the Clock

1. Press the TIME set button together with the HOUR set button until the display shows the desired hour.
2. Press the TIME set button together with the MINUTE set button until the display shows the desired minutes.

**NOTE:** When the PM indicator is off, the time is AM (advance 12 hours to change from AM to PM).

# OPERATING INSTRUCTIONS

## Setting the Alarm Time

1. Press the ALARM/OFF button to check the alarm time.
2. Press the ALARM/OFF button together with the HOUR set button until the display shows the desired alarm hour time
3. Press the ALARM/OFF button together with the MINUTE set button until the display shows the desired alarm minutes.
4. Make sure the PM lamp is not on if you want clock to wake you in the morning.
5. Release the ALARM/OFF button, the display will show the normal time of the day.

**NOTE:** Again check the PM indicator. To change PM to AM, advance 12 hours.

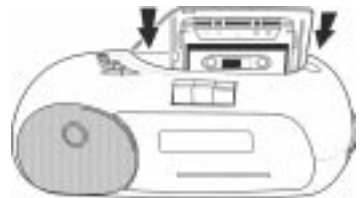
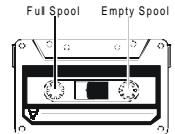
## Playing the Radio

1. Slide the FUNCTION switch to ON position.
  2. Slide the BAND switch to either AM or FM.
  3. Turn the TUNING control to your desired station.
  4. Adjust the VOLUME control to your favorite listening level.
  5. Slide the FUNCTION switch to OFF position to shut off the radio.
- For best AM reception, rotate the radio or move it near the window. For best FM reception, unwind and fully stretch the FM antenna wire.

**WARNING:** Do not connect the FM antenna wire to an outdoor antenna.

## Playing the Cassette

1. Slide the FUNCTION switch to ON position. The radio will come on.
2. Insert a prerecorded cassette tape into the cassette compartment door with the full spool to the left and the exposed tape facing you (see sketch). Press the cassette PLAY button to start playing the tape.
3. Adjust the VOLUME control to your favorite level.
4. Press the cassette STOP button to stop the tape. The radio will come on.
5. To shut the radio, slide the FUNCTION switch to OFF or AUTO.



### AUTOMATIC STOP

This set has a built-in automatic stop and the tape mechanism will stop playing and shut off when it has reached the end of the tape. After the tape finishes playing, the radio will come on. This is normal. You may re-insert the tape again to play cassette and press cassette PLAY button or to stop the radio, slide the FUNCTION switch to OFF or AUTO.

### MANUAL STOP

The tape played can be stopped manually by pressing the cassette STOP button. The radio will come on. To stop the radio, slide the FUNCTION switch to OFF or AUTO.

## Using Earphones

You may enjoy the music without disturbing others by plugging the earphone (not included) into the earphone jack.

# OPERATING INSTRUCTIONS

---

## Waking to Radio

1. Set the alarm time as previously instructed. Set the FUNCTION switch to ON position.
2. Slide the BAND switch to AM or FM band, and tune your favorite station. Make sure the VOLUME control is set sufficiently loud to wake you up.
3. Slide the FUNCTION switch to AUTO position and the AUTO indicator will light up.

**NOTE:** Your set is now ready to turn on automatically at your selected alarm time. If you do not change the time, your set will wake you every day at same time (make sure alarm time is set for AM or PM correctly).

## Waking to Cassette Player

1. Set the alarm as previously instructed.
2. Insert your tape as instructed on page 5, press the cassette PLAY button down. Slide the FUNCTION switch to AUTO position and the AUTO indicator will light up.

**NOTE:** Your cassette player is now ready to turn on automatically at your selected alarm time. Make sure the VOLUME control is set loud enough to wake you up, and the tape is not at the end.

## Waking to Buzzer

1. Set the alarm time as previously instructed.
2. Slide the FUNCTION switch to BUZZ position. The AUTO indicator will light up.
3. The buzzer alarm is now set to turn on automatically at the time selected by the alarm.

## Alarm Off

There are 2 ways to shut the alarm.

1. Press ALARM/OFF button. This will shut the alarm for that day only. Next day the radio will wake you again at the same time.
2. Slide the FUNCTION switch to OFF position to shut the alarm or buzzer. However, remember to slide the switch back to AUTO or BUZZ, otherwise you will not be woken the next day by this set .

## Snooze Control

When you are woken up by this set but wish to sleep a few minutes more, simply press the SNOOZE button.

The radio, buzzer or tape alarm will go off for 9 minutes and then come on again. This can be repeated in a row (to shut off the alarm, press the ALARM/OFF button).

## Sleep Control

1. To turn the radio on for about 1 hour, press the SLEEP button.
2. Pressing the SLEEP button will allow the radio or tape to play 59 minutes or 1 hour and 59 minutes before it turns itself off. The required sleep time can be set by holding the SLEEP button and simultaneously pressing the HOUR set button or MINUTE set button until the desired number of minute is displayed. Release both buttons, the radio or tape will play for that amount of time and then shut itself off.

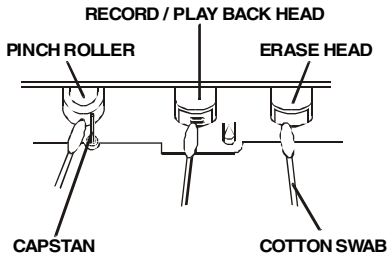
**NOTE:** If you decide to turn the radio off before the playing time has expired, simply press the SNOOZE button.

**NOTE:** The operation of the sleep function will not affect the wake-up operation of the clock if the FUNCTION switch is in the AUTO (or BUZZ) position.

# MAINTENANCE

## Cleaning Tape Heads and Tape Path

Wipe the heads, the pinch roller and the capstan with a cleaning swab slightly moistened with cleaning fluid or alcohol after every 10 hours of operation for optimum playback and recording quality.



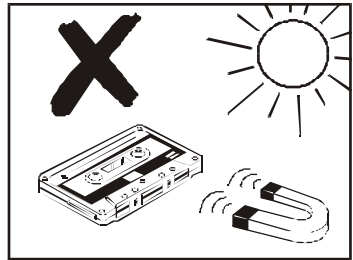
After cleaning, insert a tape when the areas cleaned are completely dry.

## Cleaning the Cabinet

Clean the cabinet, panel and controls with a soft cloth slightly moistened with a mild detergent solution. Do not use any type of abrasive pad, scouring powder, or solvent, such as alcohol or benzene.

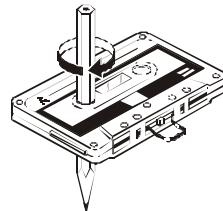
## Notes for Cassette Tapes

1. Do not put a tape near a magnetic field, such as a TV, or speaker. Magnetic fields may reduce the tape sensitivity or even erase the recording.
2. Do not store tape for any length of time in a hot, moist or dusty place.



## Precautions for Tapes

Before insert the tape into the cassette player, check that there are no loose layers of tape visible through the cassette center window. Take up these loose layers using a pencil or ball-point pen before inserting the cassette into the player.



### PROTECT YOUR FINE FURNITURE!

WE RECOMMEND A CLOTH OR OTHER PROTECTIVE MATERIAL BE PLACED UNDER THE SET WHEN PLACING IT ON SURFACE WITH A NATURAL OR LACQUER FINISH.



# **TROUBLE SHOOTING (Helpful Hints)**

SHOULD YOUR SET EXHIBIT A PROBLEM, CHECK THE FOLLOWING BEFORE SEEKING SERVICE.

<b>SYMPTOM</b>	<b>CAUSE</b>	<b>SOLUTION</b>
Alarm does not come on in the morning.	AM or PM not set correctly. Is alarm time set in AM range (PM Lamp off)?	Advance the clock 12 hours.
	FUNCTION switch is in OFF position. Is the AUTO Lamp off?	Set the FUNCTION switch to AUTO or ALARM position.
FM is distorted and weak.	FM antenna wire is not extended.	Extend FM antenna wire.
	Station not tuned in properly.	Tune to desired station carefully.
	Weak broadcast station.	Turn to a stronger Station.
Noise or weak sound on AM broadcasts.	Signal is blocked.	Rotate the set to receive better signal.
	External interference.	Turn the radio for better AM reception or bring set near a window.
No sound.	FUNCTION switch is in the OFF position.	Slide the FUNCTION switch to ON position.
	VOLUME control set to minimum position.	Rotate VOLUME control for desired sound.
The clock is flashing.	The clock is not set.	Set the clock and alarm time.
	A power failure has occurred.	Reset the clock alarm time and time of the day.
Clock is dead.	The set's AC cord is not connected.	Connect set's AC cord and make sure outlet has power.
Cassette PLAY button pops up	Tape has reached its end.	Reverse the tape, re-insert and press PLAY.
Tape sound distorted	Tape head, capstan and pinch roller dirty.	Clean tape head, capstan and pinch roller.
Erratic or slow tape speed	Tape old or worn.	Use a different tape.

LENOXX reserves the right to make design and specification changes for product improvement.

# SPECIFICATIONS

Power	source: AC 120V, 60Hz, 8W
DC 9V battery	for backup time memory (optional, alkaline batteries are recommended)
Dimensions:	9" (Length) 4 1/4" (High) 2 3/4" (Depth)
Frequency range:	FM 88 - 108MHz AM 530 - 1700kHz

## LIMITED WARRANTY

We warrant this product to be free from defects in material and workmanship under normal use for a period of 90 days after purchase and we will repair it free of charge or replace it at no charge, should it become defective under this warranty, providing you submit proof of purchase (sales slip) with the set.

During the initial 90 day period after original purchase, we will service or exchange, at no charge, the set that is returned to LENOXX ELECTRONICS CORP. (LENOXX will pay the shipping back to you). After the initial 90 day period expires, and for a period of 12 months from original purchase, we will repair the unit covering any part(s) that need to be replaced at no charge, but will charge for the cost of labor, return postage paid by LENOXX.

This warranty does not apply to any products which have been subject to misuse, neglect or accident. This warranty does not cover broken headphones or cabinet. UNDER NO CIRCUMSTANCES WILL LENOXX ELECTRONICS CORP. BE LIABLE FOR ANY INCIDENTAL OR CONSEQUENTIAL DAMAGES. Some states do not allow the exclusion or limitation of incidental or consequential damages, so the above limitations or exclusions may not apply to you.

This warranty gives you specific legal rights, and you may also have other rights which vary from state to state. The following charges apply to repairs beyond the warranty period: \$8.00. Be sure to pack carefully and return postage paid insured together with your money order (personal checks will not be accepted) and sales receipt to :

LENOXX ELECTRONICS CORP.  
2 GERMAK DRIVE, CARTERET N.J. 07008

## For customer service

**Dial 1-800-315-5885** (MONDAY - THURSDAY 09:00 AM - 5:00 PM, FRIDAY 09:00 AM - 1:00 PM EST)

**or Visit Our Website:** <http://www.lenoxx.com>

© 2000 LENOXX ELECTRONICS CORP.  
2 GERMAK DRIVE  
CARTERET, N.J. 07008  
MADE & PRINTED IN CHINA

## Free Manuals Download Website

<http://myh66.com>

<http://usermanuals.us>

<http://www.somanuals.com>

<http://www.4manuals.cc>

<http://www.manual-lib.com>

<http://www.404manual.com>

<http://www.luxmanual.com>

<http://aubethermostatmanual.com>

Golf course search by state

<http://golfingnear.com>

Email search by domain

<http://emailbydomain.com>

Auto manuals search

<http://auto.somanuals.com>

TV manuals search

<http://tv.somanuals.com>