



BIG BUTTON MEMORY PHONE WITH VOLUME CONTROL

MODEL: PH-417

OPERATING INSTRUCTIONS



- **BIG BUTTONS FOR EASIER VIEWING & DIALING**
- **RECEIVER VOLUME CONTROL**
- **3 ONE-TOUCH MEMORY BUTTONS**
- **INCOMING CALL INDICATOR LAMP**
- **FLASH & REDIAL/PAUSE BUTTON**
- **TONE/PULSE SWITCHABLE DIALING**
- **DESK OR WALL MOUNTABLE**
- **15 FOOT EXTRA LONG COIL CORD**

PLEASE READ CAREFULLY BEFORE USE

IB-PH417-WM-E-022804

IMPORTANT SAFETY INSTRUCTIONS

When using your telephone equipment, the following basic safety precautions should always be followed to reduce the risk of fire, electric shock and personal injury:

1. Read and follow all instructions and warnings.
2. Unplug this product from the wall outlet before cleaning. Do not use liquid cleaners or aerosol cleaners. Use a slightly dampened cloth only.
3. Do not use this product near water, for example, near a bathtub, wash bowl, kitchen sink, or laundry tub, in a wet basement, or near a swimming pool.
4. Do not place this product on an unstable cart, stand or table. The product may fall, causing serious damage to itself.
5. Slots and openings in the cabinet at the back or bottom are provided for ventilation, to protect the phone from overheating, these openings must not be blocked or covered. The openings should never be blocked by placing the product on the bed, sofa, rug, or other similar surface. This product should never be placed near or over a radiator, heat register or a built-in installation such as a bookcase or cabinet unless proper ventilation is provided.
6. Never push objects of any kind into this product through cabinet slots as they may touch dangerous voltage points or short out parts that could result in risk of fire or electric shock. Never spill liquid of any kind on the product.
7. To reduce the risk of electric shock, do not disassemble this product, but take it to a qualified serviceman, when some service or repair work is required. Opening or removing covers may expose you to dangerous voltages or other risks. Incorrect reassembly can cause electric shock when the appliance is subsequently used.
8. Unplug this product from the wall outlet and refer servicing to qualified service personnel under the following conditions:
 - A. When the cord or plug is damaged or frayed.
 - B. If liquid has been spilled into the product.
 - C. If the product has been exposed to rain or water.
 - D. If the product does not operate normally by following the operating instructions. Adjust only those controls that are covered by the operating instructions because improper adjustment of other controls may result in damage and will often require extensive work by a qualified technician to restore the product to normal operation.
 - E. If the product has been dropped or the cabinet has been damaged.
 - F. If the product exhibits a distinct change in performance.
9. Avoid using a telephone (other than a cordless type) during an electrical storm. There may be a remote risk of electric shock from lightning.
10. Do not use the telephone to report a gas leak in the vicinity of the leak.
11. Do not allow anything to rest on the telephone cord. Do not locate this product where the cord will be abused by persons walking on it.
12. Never install telephone wiring during a lightning storm.
13. Never install telephone jacks in wet locations unless the jack is specially designed for wet locations.
14. Never touch uninsulated telephone wires or terminals, unless the telephone line has been disconnected at the network interface.
15. Be careful when installing or modifying telephone lines.

SAVE THESE INSTRUCTIONS

HELP LINE 1-800-315-5885

IMPORTANT TELEPHONE COMPANY & FCC INFORMATION

CAUTION: TO REDUCE THE RISK OF FIRE, ELECTRIC SHOCK AND PERSONAL INJURY, DO NOT OPEN CABINET.

WE SUGGEST THAT YOU REVIEW THE FOLLOWING INFORMATION PROVIDED BY THE FCC (FEDERAL COMMUNICATIONS COMMISSION).

FCC REGISTRATION

This telephone set is registered with the FCC based upon compliance with Part 68 of its rules. Connection of this telephone to the nationwide telecommunications network must be through a standard network jack (RJ11W or RJ11C) which you can order from your telephone company, if not already installed.

NOTE: FCC registration does not constitute an expressed or implied guarantee of performance. Only the Limited Warranty in this booklet covers the performance of this telephone set.

IMPORTANT FCC INFORMATION

In the event that terminal equipment causes harm to the telephone network, the telephone company should notify the customer, if possible, that service may be stopped. However, where prior notice is impractical, the company may temporarily cease service providing that they:

1. Promptly notify the customer.
2. Give the customer an opportunity to correct the problem with their equipment.
3. Inform the customer of the right to bring a complaint to the Federal Communications

Commission pursuant to procedures set out in FCC Rules and Regulations Subpart E of Part 68.

The telephone company may make changes in its communications facilities, equipment, operations or procedures, where such action is reasonably required in the operation of its business and is not inconsistent with the rules and regulations in FCC Part 68. If such changes can be reasonably expected to render any customer terminal equipment incompatible, the customer shall be given adequate notice in writing, to allow the customer an opportunity to maintain uninterrupted service.

RINGER EQUIVALENC NO. (REN):

The REN is useful to determine the quantity of devices you may connect to your telephone line and still have all of those devices ring when your telephone number is called. In most, but not all areas, the sum of the REN's of all devices connected to one line should not exceed five (5.0). To be certain of the number of devices you may connect to your line, as determined by the REN, you should contact your local telephone company to determine the maximum REN for your calling area.

NOTE:

This equipment has been tested and found to comply with the limits for a Class B digital device, pursuant to Part 15 of the FCC Rules. These limits are designed to provide reasonable protection against harmful interference in a residential installation. This equipment generates, uses, and can radiate radio frequency energy and, if not installed and used in accordance with the instructions, may cause harmful interference to radio communications. However, there is no guarantee that interference will not occur in a particular installation. If this equipment does cause harmful interference to radio or television reception, try the following:

1. Reorient or relocate the receiving antenna.
2. Increase the separation between the equipment and receiver.
3. Connect the equipment into an outlet on a circuit different from that to which the receiver is connected.
4. Consult the dealer or an experienced radio/TV technician for assistance.

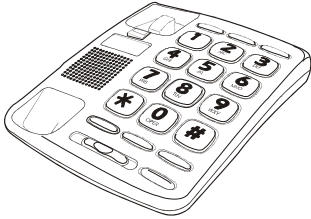
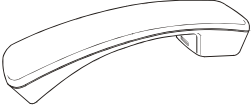
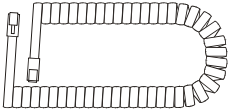
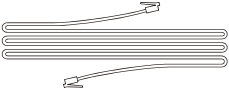

GENERAL

The FCC prohibits customer-provided terminal equipment to be connected to party lines or to be used in conjunction with coin telephone service.

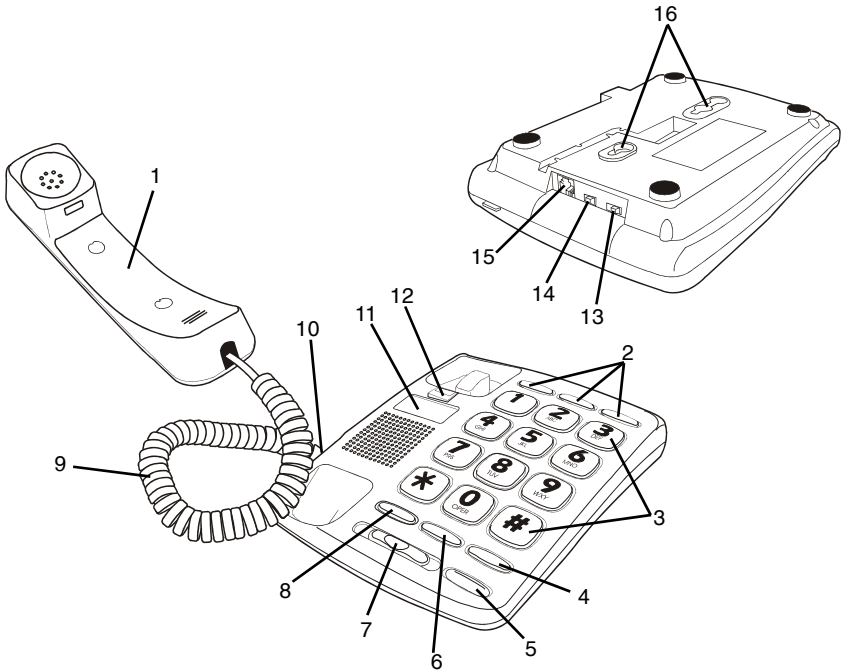
This phone is hearing aid compatible.

CHECK LIST

Unpack your set, you should find:

<p>MAIN SET</p> 	<p>HANDSET</p> 
<p>15 FOOT HANDSET CORD (coil cord)</p> 	<p>STRAIGHT TELEPHONE CORD</p> 
<p>SHORT STRAIGHT CORD (for wall mounting)</p> 	

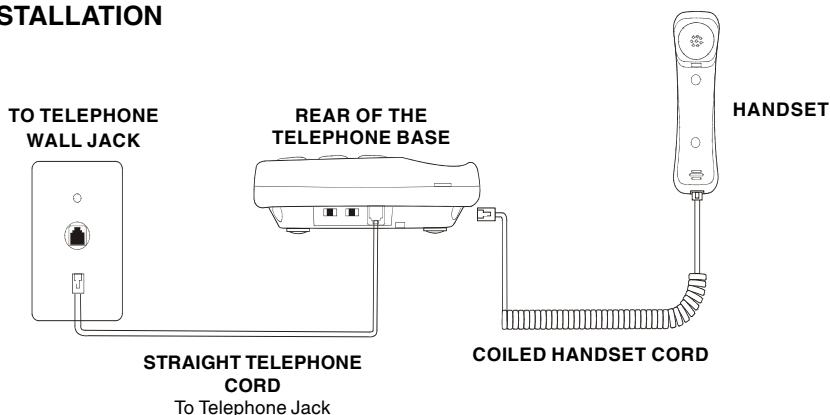
LOCATION OF CONTROLS



1. **COMFORTABLE ROUNDED HANDSET**
2. **3 ONE-TOUCH MEMORY buttons** - Allows you to speed dial emergency or other frequently dialed numbers.
3. **EXTRA LARGE KEYPAD buttons** - For easier viewing & dialing.
4. **REDIAL/PAUSE button** - Redials your last number, useful when line is busy. And also useful when dialing the number with pause.
5. **INCOMING CALL INDICATOR lamp** - Flashes when phone rings to show you call is coming in.
6. **FLASH button** - For new dial tone or call waiting.
7. **ADJUSTABLE HANDSET VOLUME CONTROL** - Adjusts and raises volume of receiver.
8. **STORE button** - Stores numbers into memory.
9. **EXTRA LONG 15 FOOT COIL CORD**
10. **PHONE LINE jack** (to Handset)
11. **MEMORY INDEX PAPER** (under the Handset)
12. **REVERSIBLE HANDSET HOLDER** (under the Handset) - For wall use, holds handset in upright position.
13. **TONE/PULSE switch** - Suitable for computerized call directing also electronic banking. Also works on older "Rotary" phone system.
14. **RINGER ON/OFF switch** - Turns off ringer for undisturbed privacy.
15. **PHONE LINE jack** (to Wall Jack)
16. **WALL MOUNT SLOTS** - (on the back of the set) For mounting onto wall.

INSTALLATION INSTRUCTIONS

INSTALLATION



1. Insert the modular plugs of the **COILED HANDSET CORD** into the jack of the **TELEPHONE HANDSET** and into the jack on the left side of the **TELEPHONE BASE**.
2. Insert the modular plugs of the **STRAIGHT TELEPHONE CORD** into the modular jack at the **REAR** of the **TELEPHONE BASE** and into the **TELEPHONE WALL JACK** (either end can be plugged in).

RINGER SETTING

This switch is located on the rear of the set. Select the desired function of the ringer.

ON - Normal setting of rings on incoming calls.

OFF - No rings on incoming calls.

NOTE: If your **RINGER** switch is in **OFF** position, only **THIS** phone will not ring, other phones in your home on the same line will ring.


NOTE: Even if your **RINGER** switch is in **OFF** position, the indicator lamp will flash when there is an incoming call.

TONE/PULSE SWITCH

Select the type of dialing that you desire or that your telephone system requires.

TONE - The phone will operate using tone dialing. (If your phone doesn't dial out, switch to **PULSE**.)

PULSE - The phone will dial using rotary pulse dialing.

NOTE: Even when your phone is set to pulse service, **this** phone can be switched to temporary tone dialing for access to services that require tone signaling like computer systems. Just press the  button after dialing in pulse and your buttons can now be used for tone signaling for this call only.

PHONE OPERATION

RECEIVING CALLS AS A NORMAL TELEPHONE

When the phone rings:

1. Lift the HANDSET and speak into the mouthpiece of the HANDSET.
2. Hang up the HANDSET when the conversation is completed.

MAKING CALLS AS A NORMAL TELEPHONE

1. Select the desired dialing mode with the TONE/PULSE switch (do this only the first time).
2. Pick up the HANDSET and listen for a dial tone.
3. Dial your call.

LAST NUMBER REDIALING

The last number you called from the keypad can be redialed by pressing the REDIAL/PAUSE button. This is useful if the number called is busy.

Get a new dial tone and press the REDIAL/PAUSE button. This phone will remember the last number dialed even overnight. If you do not want anyone to know which number you dialed last, pick up the phone and press any number & hang up.

PAUSE FUNCTION

If you make a dial with a pause in the number, simply press the REDIAL/PAUSE button for the pause.

VOLUME CONTROL

You can adjust the sound level of the handset receiver by adjusting the RECEIVER VOLUME setting.

INCOMING CALL INDICATOR


This lamp located near the RECEIVER VOLUME button will flash when the phone rings. This is useful to see incoming calls and to locate the phone in a dark room.

NOTE: Even if RINGER switch is in the OFF position the lamp will flash.

TEMPORARY TONE DIALING

Temporary tone dialing is used only when you have older rotary service. It allows you access to services that require tone signaling, including some tone-activated computer system (e.g., telephone banking).

To change from pulse (rotary) to tone dialing during a call:

1. Dial a telephone number with the TONE/PULSE switch set to PULSE.
2. Press  button; all buttons pressed after this will send tone signals.
3. After you hang up, the phone automatically returns to rotary service.

STORING PHONE NUMBER INTO MEMORY LOCATIONS

NOTE 1. This phone has 3 ONE-TOUCH memories. This is very useful for emergency numbers or numbers you call very often such as your parents or best friends. To use the one-touch numbers, just get a dial tone and press one of the 3 buttons. To store a number into any of these 3 locations, just follow the instructions below. Remember to write the names you stored onto the Memory Index Card.

NOTE 2. It is important to write the emergency numbers into the Memory Index. Occasionally, if phone is disconnected from line or moved from room to room, or if the phone company has a problem on the line, it is possible for memory of numbers to be lost, the manufacturer does not assume responsibility for customer's reliance on this memory feature.

STORING TELEPHONE NUMBERS

This telephone will store up to 15 digits in each memory positions. Follow this simple step by step method.

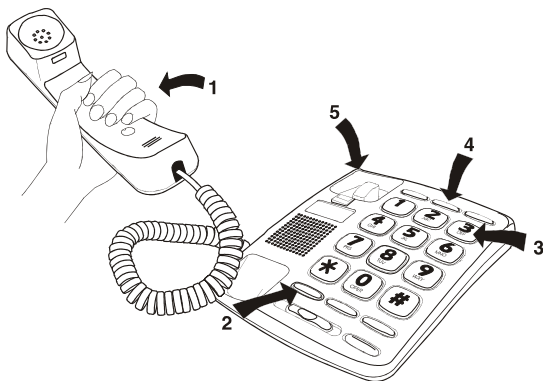
1. Make sure the phone is plugged into the wall jack.
2. Lift the HANDSET and listen for a dial tone.
3. Press STORE button once.
4. Dial the number you want to store.
5. Press a memory number from M1 to M3 (where you would like your number stored).
6. Hang up the phone.
7. Repeat steps 2-6 to store the remaining numbers into M2 and M3.

TO DIAL NUMBER FROM 3 ONE-TOUCH BUTTONS

Get a dial tone by picking up HANDSET, and press one of the 3 emergency buttons marked with the symbols M1, M2 or M3.

EXAMPLE: Suppose you want to store 1-212-555-1212 into MEMORY button #2(M2).

1. Lift the HANDSET.
2. Press the STORE button.
3. Dial 1-212-555-1212
4. Press M2.
5. Replace the HANDSET.



STORING TELEPHONE NUMBERS INTO MEMORY LOCATIONS

- NOTE 1.** If you want to store a calling card number into one of your memories, you may do this the same way you program a phone number into memory. Also if you need a pause in the number, simply press the REDIAL/PAUSE button on your phone.
- NOTE 2.** Emergency calling is an important safety feature that should be used wisely. If you program an emergency number into the memory - mark it clearly and test it before an emergency. We assume no responsibility for customer's reliance on this memory feature. Also if you test emergency numbers, do so only during non-peak hours and tell the operator "This is a test" or they may assume it is an emergency.
- NOTE 3.** If you move your phone to another room or disconnect the phone line, your stored numbers will remain in the memory for a short time, so quickly reconnect it to the new jack or you will have to re-program the memory numbers.
- NOTE 4.** If the operator comes in during storing numbers with the message "your phone is off the hook", ignore this. During storing of numbers the circuit simulates an off hook condition. This is normal. We suggest you program the numbers quickly to avoid operator messages.
- NOTE 5.** In case you want to change a number, simply store a new number, the old number will be automatically erased.

TO DIAL A NUMBER FROM MEMORY BUTTONS

1. Pick up receiver (to get dial tone).
2. Press the button in which the number you want to dial is stored, M1, M2 or M3, etc. The set will dial the number stored in the memory you selected automatically.

EXAMPLE: Pressing M2 will dial (in TONE or PULSE) the number you stored in M2.

TO LIST YOU MEMORY NUMBERS

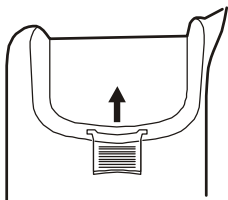
1. Lift out the Memory Index card from under the receiver.
2. Write numbers on Memory Index next to M1, M2, and M3 (in pencil so you can change them later).

WALL MOUNTING

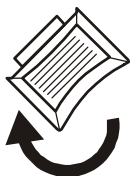
The set can be mounted on a wall phone plate. If you do not have a modular wall phone plate installed, we recommend that you consult with your telephone company or installer to get one, or turn to page 10 for instruction.

1. Reversible HANDSET HOLDER - When the telephone is mounted on the wall, the REVERSIBLE HANDSET HOLDER must be adjusted so it will hold the handset.

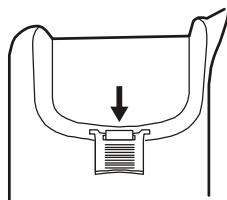
1.SLIDE OUT



2.REVERSE

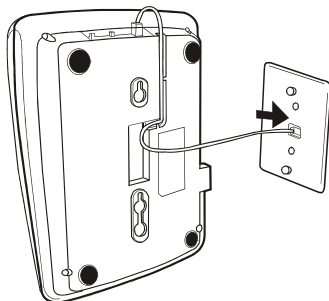


3.REPLACE INTO PHONE

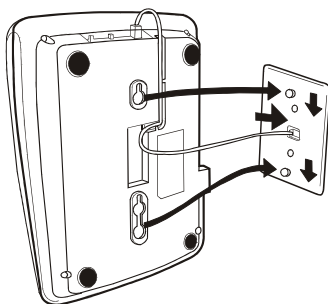


CONNECTING TO WALL PLATE

1. Use the SHORT STRAIGHT cord.
2. Plug one end into the PHONE LINE jack (on the rear of the set).
3. Plug the other end into the wall jack.
4. Route the cord into the channel as shown.



5. Put the phone over wall plate, make sure both posts fit into slots on the back of the phone. Then push down to lock phone onto the wall plate.

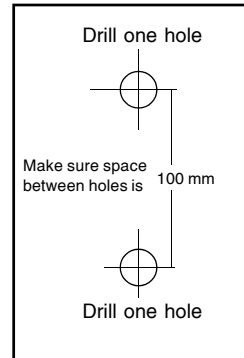


WALL MOUNTING

FOLLOW THESE INSTRUCTIONS TO MOUNT THE PHONE ON THE WALL WITHOUT A WALL PLATE

Follow these instructions to mount the phone on the wall without a wall plate:

1. Locate a wall stud. If it is possible to utilize a wall stud for mounting, dry wall expanders or a similar type fastener is recommended. Consult your local hardware stores for details.
2. Drill 2 holes 3 $\frac{15}{16}$ " (100 mm) apart.
3. Put a screw into each hole and leave $\frac{3}{16}$ " (5mm) of the head exposed to mount the phone (screws are not included).
4. Connect the straight cord to the phone and jack.
5. Place the TELEPHONE BASE on the 2 mounting screws and gently push down to lock into place.



CLEANING AND MAINTENANCE

1. Keep the phone away from bathtub, water or very high heat and humidity (keep away from stove or radiators).
2. Avoid placing it in very hot sun.
3. Do not staple phone cord.
4. Do not, under any circumstances, disassemble the telephone without disconnecting the cord from the telephone line first. Ringer voltages can be high and dangerous.
5. Cleaning the exterior surface of the set should be done on a regular basis. Use a cloth slightly dampened with warm, clean water to remove excess dust and dirt. Do not use benzine, thinner, or the like, or any abrasive powder to clean the cabinet. Wipe it with a soft cloth. The set should be kept free of dust, moisture and vibration, and should not be exposed to direct sunlight.
6. **DO NOT USE WAXES, SOLVENTS OR DETERGENTS OF ANY KIND TO CLEAN YOUR UNIT.** These products can damage the surface of the phone. Do not allow any liquids to get inside the case.

TROUBLE SHOOTING

PROBLEM	LIKELY CAUSES
No dial tone.	<ol style="list-style-type: none"> 1. Plug disconnected from jack. 2. Jack improperly wired.
Phone is dead.	<ol style="list-style-type: none"> 1. Damaged cord. 2. Jack improperly wired. 3. Line out of order.
Can make calls, but phone does not ring.	RINGER switch in OFF position. Slide the switch to ON position.
Can receive, but cannot make calls.	<ol style="list-style-type: none"> 1. If your other telephones are "ROTARY" type phones, your line may be conditioned to accept PULSE dialing only. Move TONE/PULSE switch to PULSE position. 2. Contact your phone company to have your line changed to TONE and PULSE service.
Static noise on line or cannot hear calling party or calling party cannot hear you.	Replace the coil cord. Any phone store has these cords in different lengths.

1. If problems with your telephone service occur later, try to determine if the trouble is with the telephone or with the telephone company equipment. Unplug the telephone and try it on another jack in a different room or in a neighborhood's home to see if the phone line is bad or the phone.
2. If disconnection of your equipment ends the problem, your telephone may be the source of the trouble and it should be tested and repaired if necessary before it is reconnected.
3. There are no user maintainable parts or adjustments on this set. Should your phone require repair, contact us for instructions (except for cords which you can buy at any phone store).

LIMITED WARRANTY

We warrant this product to be free from defects in material and workmanship under normal use for a period of 1 year after purchase and we will repair it free of charge or replace it at no charge, should it become defective under this warranty, providing you submit proof of purchase (sales slip) with the set.

During the initial 1 year period after original purchase, we will service or exchange, at no charge, the set that is returned to LENOXX ELECTRONICS CORP. After the initial 1 year period expires, we will repair the unit covering any part(s) that need to be replaced at no charge, but will charge for the cost of labor, return postage paid by LENOXX.

This warranty does not apply to any products which have been subject to misuse, neglect or accident. This warranty does not cover broken cords or cabinet. UNDER NO CIRCUMSTANCES WILL LENOXX ELECTRONICS CORP. BE LIABLE FOR ANY INCIDENTAL OR CONSEQUENTIAL DAMAGES. Some states do not allow the exclusion or limitation of incidental or consequential damages, so the above limitations or exclusions may not apply to you.

This warranty gives you specific legal rights, and you may also have other rights which vary from state to state. The following charges apply to repairs beyond the warranty period: \$5.00. Be sure to pack carefully and return postage paid insured together with your money order (personal checks will not be accepted) and sales receipt to :

LENOXX ELECTRONICS CORP. 2 GERMAK DRIVE, CARTERET N.J. 07008

For Customer Service

Dial: 1-800-315-5885 (MONDAY - THURSDAY 09:00 AM - 05:00 PM, FRIDAY 09:00 AM - 01:00 PM EST)

Or Visit Our Website: <http://www.lenox.com>

© 2004 LENOXX ELECTRONICS CORP.

2 GERMAK DRIVE

CARTERET, N.J. 07008

MADE & PRINTED IN CHINA

Free Manuals Download Website

<http://myh66.com>

<http://usermanuals.us>

<http://www.somanuals.com>

<http://www.4manuals.cc>

<http://www.manual-lib.com>

<http://www.404manual.com>

<http://www.luxmanual.com>

<http://aubethermostatmanual.com>

Golf course search by state

<http://golfingnear.com>

Email search by domain

<http://emailbydomain.com>

Auto manuals search

<http://auto.somanuals.com>

TV manuals search

<http://tv.somanuals.com>