



Room Air Conditioner SVC MANUAL(Exploded View)

MODEL : TS-C092YDA0

CAUTION

Before Servicing the unit, read the safety precautions in General SVC manual.
Only for authorized service personnel.

1. Specification

Models		TS-C092YDA0	
Cooling Capacity (Min ~ Rating ~ Max)		kW	2.67
		Btu/h	9,101
Heating Capacity (Min ~ Rating ~ Max)		kW	-
		Btu/h	-
Power Input	Cooling/Heating	W	910/-
Running Current	Cooling/Heating	A	4.1/-
Starting Current	Cooling/Heating	A	26/-
EER		W/W	2.93
		Btu/h.W	10.00
COP		W/W	-
Power Supply		Φ / V / Hz	1/230/60
Power Factor		%	98.5
Air Flow Rate	Indoor,Max	m ³ /min(cfm)	6.73
	Outdoor,Max	m ³ /min(cfm)	18
Moisture Removal		l/h	1.1
Sound Level	Indoor,H/M/L	dB(A)+3	39
	Outdoor,Max	dB(A)+3	49
Refrigerant & Charge(at 7.5m)		g(oz)	R22, 550(22.92)
Additional Refrigerant Charge		g/m(oz/ft)	20(0.22)
Compressor	Type		Rotary(Non Tropical)
	Model		QK134KBL
	Motor Type		PSC
	Oil Type		SUNISO 4GSI
	Oil Charge	cc	280 cc
	O.L.P Name		MRA98996-12026
Fan(Indoor)	Type		Cross Flow Fan
	Motor Output	W	7.7
Fan(outdoor)	Type		Propeller
	Motor Type		AC Induction
	Motor Output	W	18
Circuit Breaker*		A	10
Power Supply Cable		No.*mm ²	3*0.75
Power and Transmission Cable		No.*mm ² +No.*mm ²	3*0.75*5.8m
Piping Connections	Liquid Side	mm(in)	6.35(1/4)
	Gas Side	mm(in)	9.52(3/8)
Drain Hose	O.D , I.D	mm(in)	21.5,16(0.85,0.63)
Dimension	Indoor(W*H*D)	mm	840*270*166
		inch	33.1*10.62*6.54
	Outdoor(W*H*D)	mm	575*520*260
		inch	22.6*20.5*10.2
Net Weight	Indoor	kg(lbs)	7(-)
	Outdoor	kg(lbs)	25(-)
Max. Piping Length		m(ft)	7.5
Tool Code(Chassis)		Indoor + Outdoor	SY + UA
Functions	Temperature Control		Thermistor
	Plasma Filter		-
	Prefilter(washable/anti-fungus)		○
	Auto Clean		-
	CHAOS Wind(Auto Wind)		-
	Steps, Fan/Cool/Heat		3/4
	Airflow Direction Control(up&down)		Auto
	Airflow Direction Control(left&right)		Manual
	Remocon Type		Wireless Simple
	Setting Temperature Range	Cooling	18 ~ 30
		Heating	-
	Auto Operation (Micom Control)		-
	Auto Changeover (Micom Control)		-
	Self Diagnosis		○
	Timer		7h, On/Off
	Sleep Operation		○
	Soft Dry Operation		○
	Restart Delay(minute)		3
	Deice Control(Defrost)		-
	Hot Start		-
Jet Cool		○	
WIND		-	

Note:

O : Applied, - : No relation

* For circuit breaker rating, please conform to local standards wherever necessary.

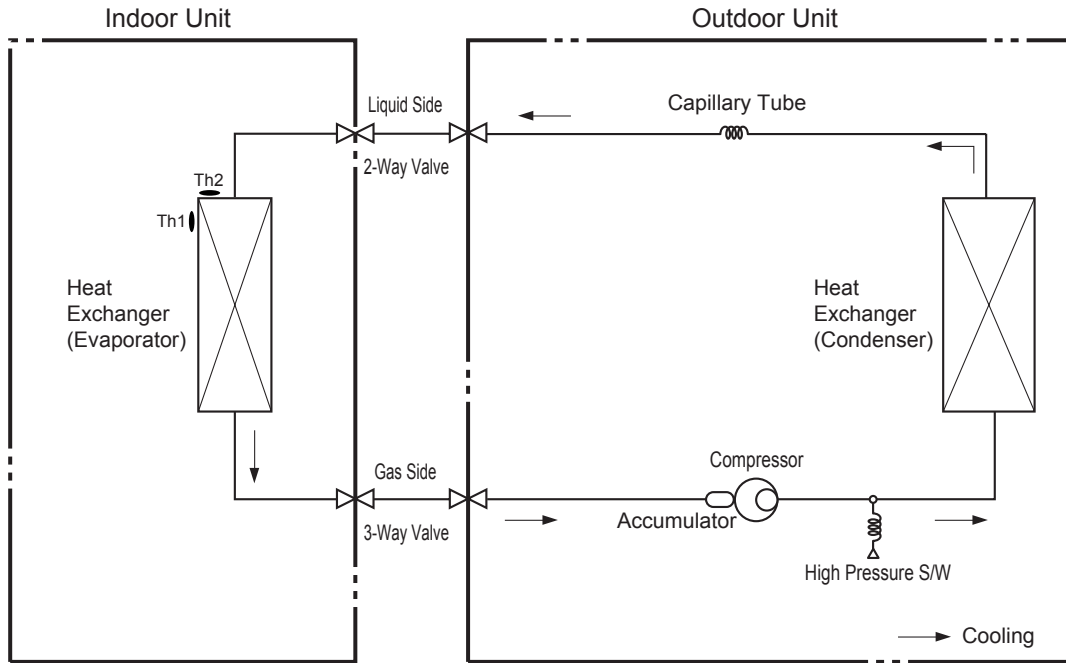
* Some of functions are slightly different depending upon models.

* The specification may be subject to change without prior notice for purpose of improvement.

2 Room Air Conditioner

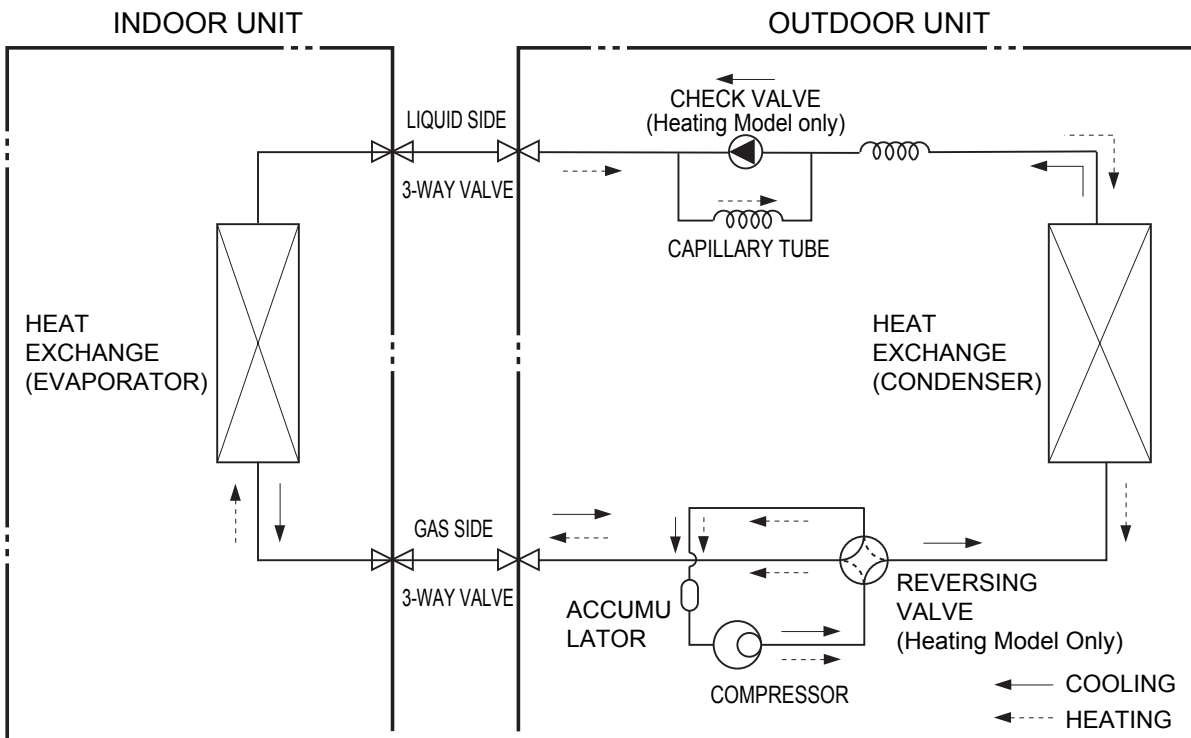
2. Piping Diagrams

(1) Cooling



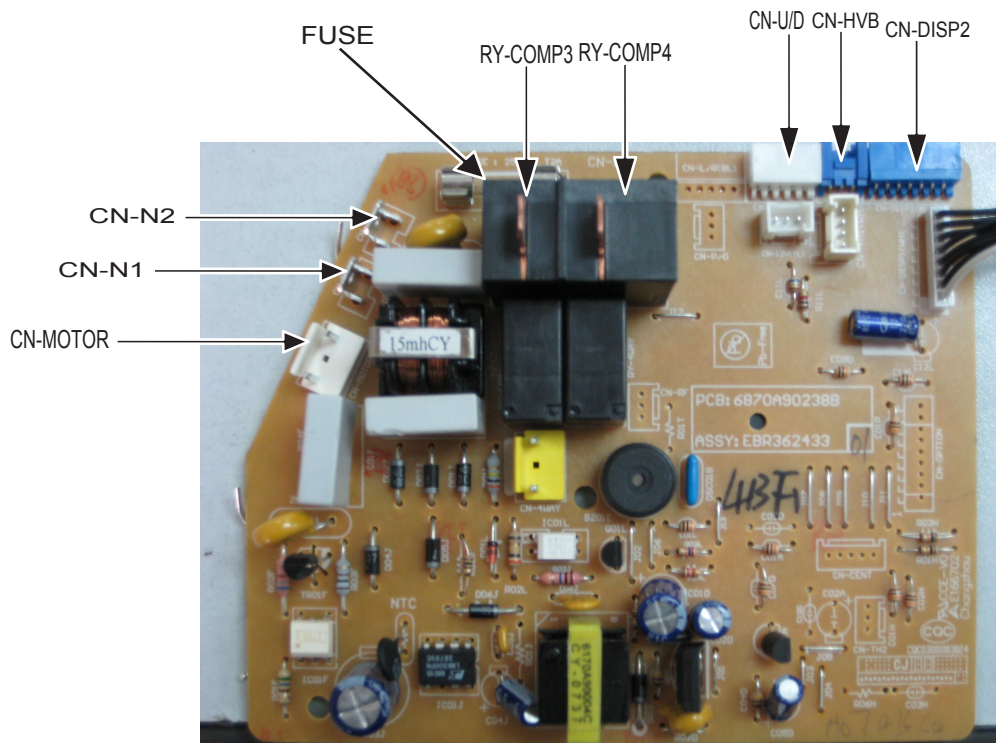
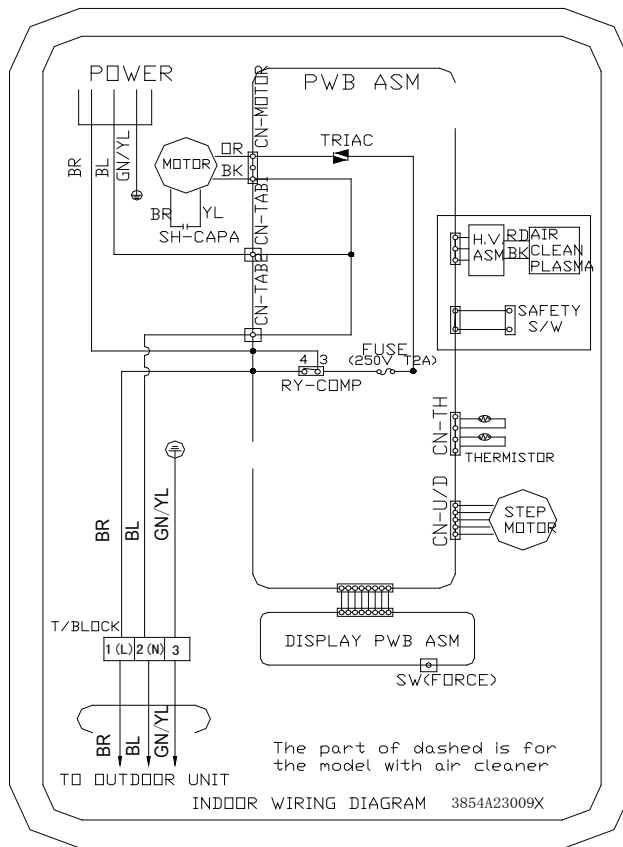
LOC.	Description	PCB Connector
Th1	Thermistor for indoor air temperature	CN-TH1
Th2	Thermistor for evaporating temperature	

(2) Cooling & Heating Models



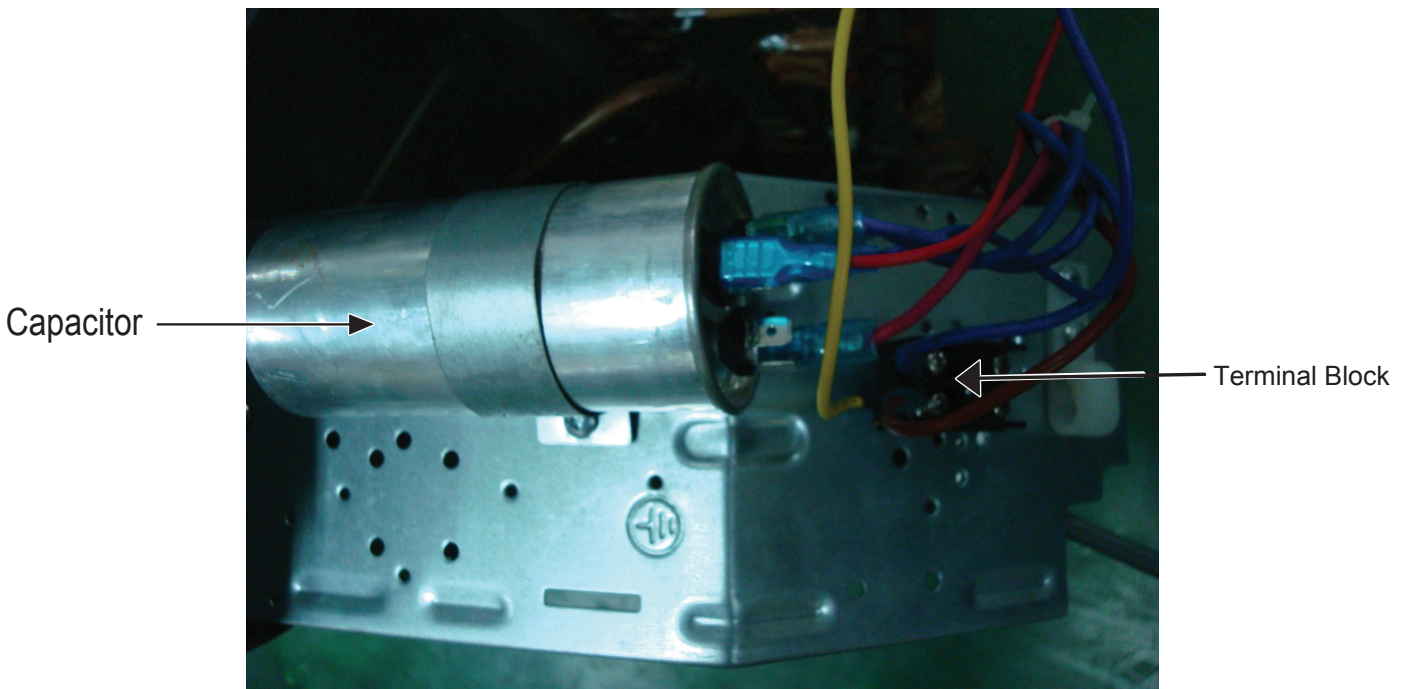
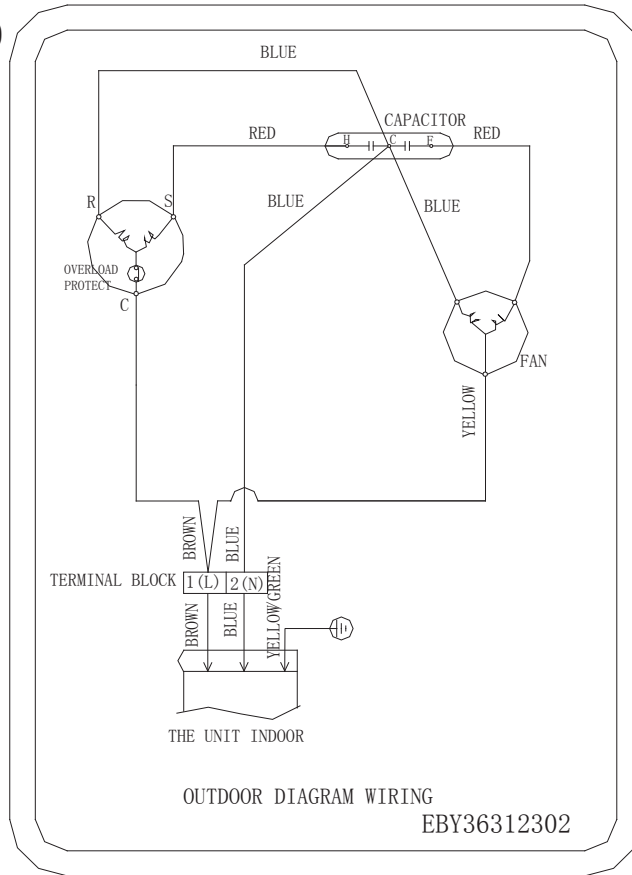
3. Wiring Diagrams

(1) Indoor Unit
TS-C092YDA0



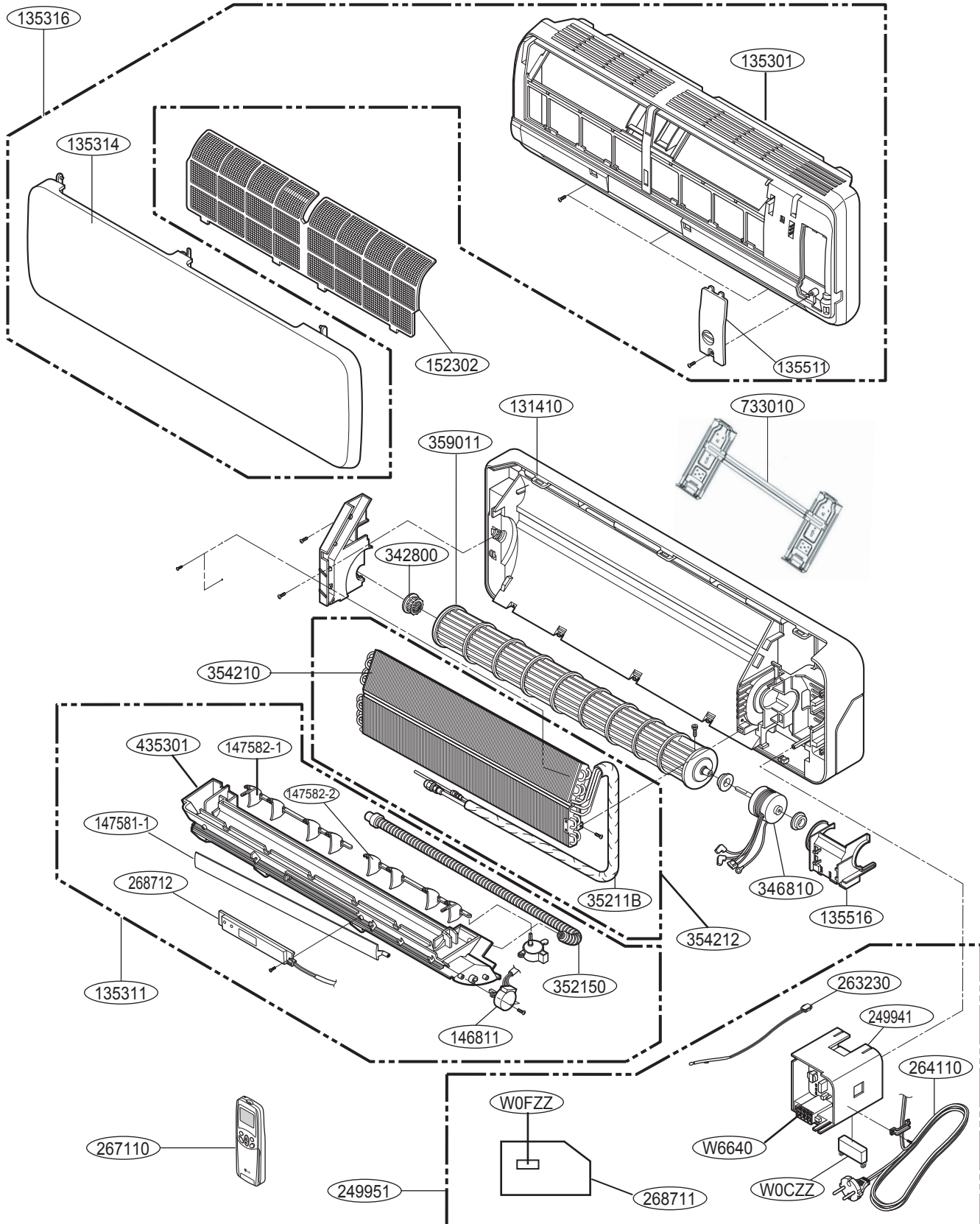
(1)Outdoor Unit

TS-C092YDA0



Exploded View

1. Indoor Unit





P/NO : MFL37322715

MAY, 2008

Free Manuals Download Website

<http://myh66.com>

<http://usermanuals.us>

<http://www.somanuals.com>

<http://www.4manuals.cc>

<http://www.manual-lib.com>

<http://www.404manual.com>

<http://www.luxmanual.com>

<http://aubethermostatmanual.com>

Golf course search by state

<http://golfingnear.com>

Email search by domain

<http://emailbydomain.com>

Auto manuals search

<http://auto.somanuals.com>

TV manuals search

<http://tv.somanuals.com>