



# Room Air Conditioner SVC MANUAL(Exploded View)

**MODEL : TS-C122YDA0**

## **CAUTION**

Before Servicing the unit, read the safety precautions in General SVC manual.  
Only for authorized service personnel.

# 1. Specification

Models		TS-C122YDA0		
Cooling Capacity (Min ~ Rating ~ Max)		kW	3.52	
		Btu/h	12,000	
Heating Capacity (Min ~ Rating ~ Max)		kW	-	
		Btu/h	-	
Power Input	Cooling/Heating	W	1 150/-	
Running Current	Cooling/Heating	A	5.4/-	
Starting Current	Cooling/Heating	A	26/-	
EER		W/W	3.05	
		Btu/h.W	10.43	
COP		W/W	-	
Power Supply		Φ / V / Hz	1/220/60	
Power Factor		%	99.3	
Air Flow Rate	Indoor,Max	m <sup>3</sup> /min(cfm)	8.83	
	Outdoor,Max	m <sup>3</sup> /min(cfm)	18	
Moisture Removal		l/h	1.46	
Sound Level	Indoor,H/M/L	dB(A)+1	41	
	Outdoor,Max	dB(A)+1	51	
Refrigerant & Charge(at 7.5m)		g(oz)	R22, 650(22.92)	
Additional Refrigerant Charge		g/m(oz/ft)	20(0.22)	
Compressor	Type	Rotary(Non Tropical)		
	Model	PH180X1C-3FTU2		
	Motor Type	PSC		
	Oil Type	SUNISO 4GSI		
	Oil Charge	cc	400 cc	
	O.L.P Name	-		
Fan(Indoor)	Type	Cross Flow Fan		
	Motor Output	W	46	
Fan(outdoor)	Type	Propeller		
	Motor Type	AC Induction		
	Motor Output	W	89	
Circuit Breaker*		A	29	
Power Supply Cable		No.*mm <sup>2</sup>	3*1.0	
Power and Transmission Cable		No.*mm <sup>2</sup> +No.*mm <sup>2</sup>	-	
Piping Connections	Liquid Side	mm(in)	6.35(1/4)	
	Gas Side	mm(in)	12.7(1/2)	
Drain Hose	O.D , I.D	mm(in)	21.5,16(0.85,0.63)	
Dimension	Indoor(W*H*D)	mm	902*322*200	
		inch	35.5*12.68*7.87	
	Outdoor(W*H*D)	mm	770*540*2450	
		inch	30.31*21.26*9.65	
Net Weight	Indoor	kg(lbs)	9(19.8)	
	Outdoor	kg(lbs)	35(77.1)	
Operation Range	Cooling(Outdoor)	°C(°F)	21 ~ 43	
	Heating(Outdoor)	°C(°F)	-	
Max. Piping Length		m(ft)	13	
Max. Elevation Difference		m(ft)	7.5	
Tool Code(Chassis)	Indoor + Outdoor	SY + UL		
Functions	Temperature Control		Thermistor	
	Plasma Filter		○	
	Prefilter(washable/anti-fungus)		○	
	Auto Clean		-	
	CHAOS Wind(Auto Wind)		○	
	Steps, Fan/Cool/Heat		3/4/-	
	Airflow Direction Control(up&down)		Auto	
	Airflow Direction Control(left&right)		Manual	
	Remocon Type		Wireless Simple	
	Setting Temperature Range	Cooling	18 ~ 30	
		Heating	-	
	Auto Operation (Micom Control)		-	
	Auto Changeover (Micom Control)		-	
	Self Diagnosis		○	
	Timer		7h, On/Off	
	Sleep Operation		○	
	Soft Dry Operation		○	
	Restart Delay(minute)		3	
	Deice Control(Defrost)		○	
	Hot Start		-	
	Jet Cool		○	
	Low Ambient Operation		-	
	Special Function		-	
Network Functions	Dry Contact		-	
	Network Solution(LGAP)		-	
	PI485		-	
<b>Note:</b>				

Note:

○ : Applied, - : No relation

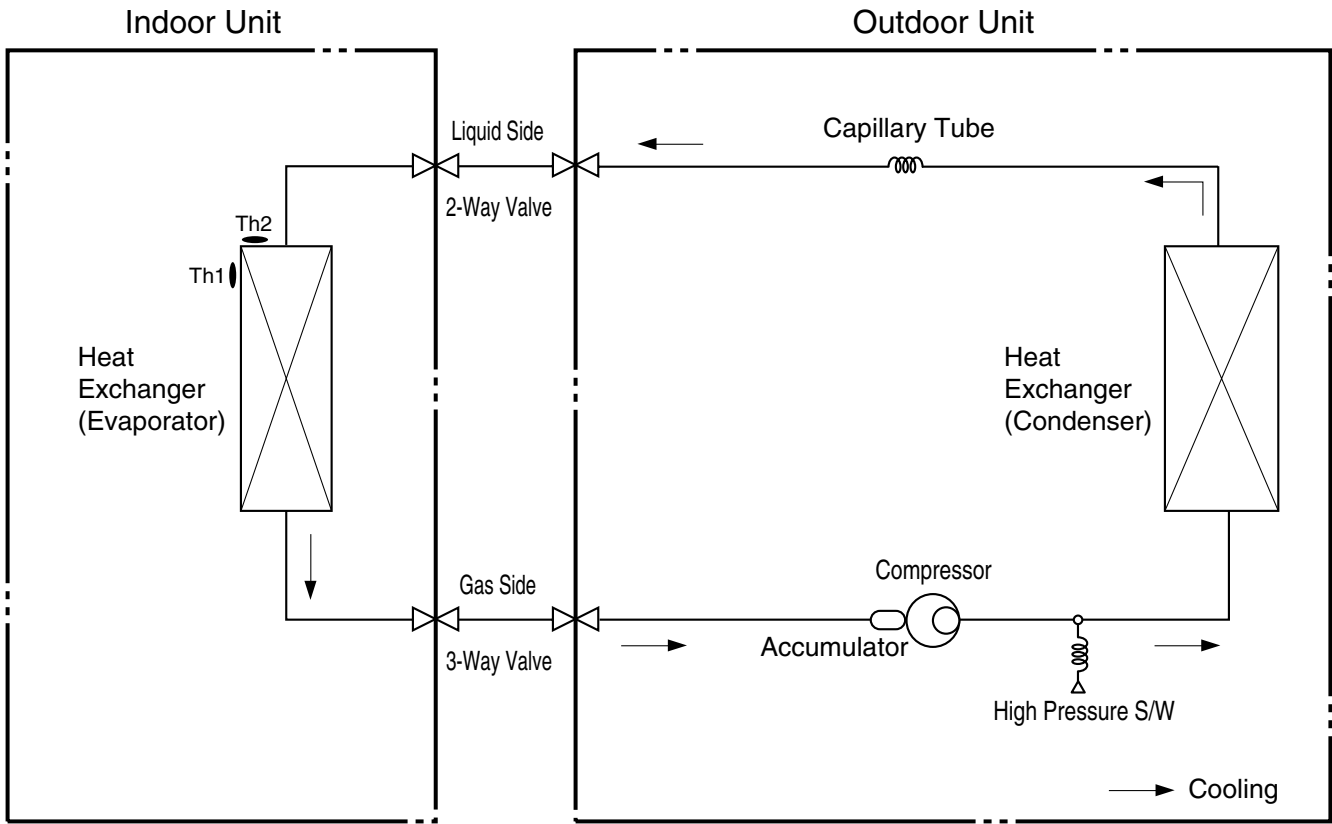
\* For circuit breaker rating, please conform to local standards wherever necessary.

※ Some of functions are slightly different depending upon models.

※ The specification may be subject to change without prior notice for purpose of improvement.

## 2 Room Air Conditioner

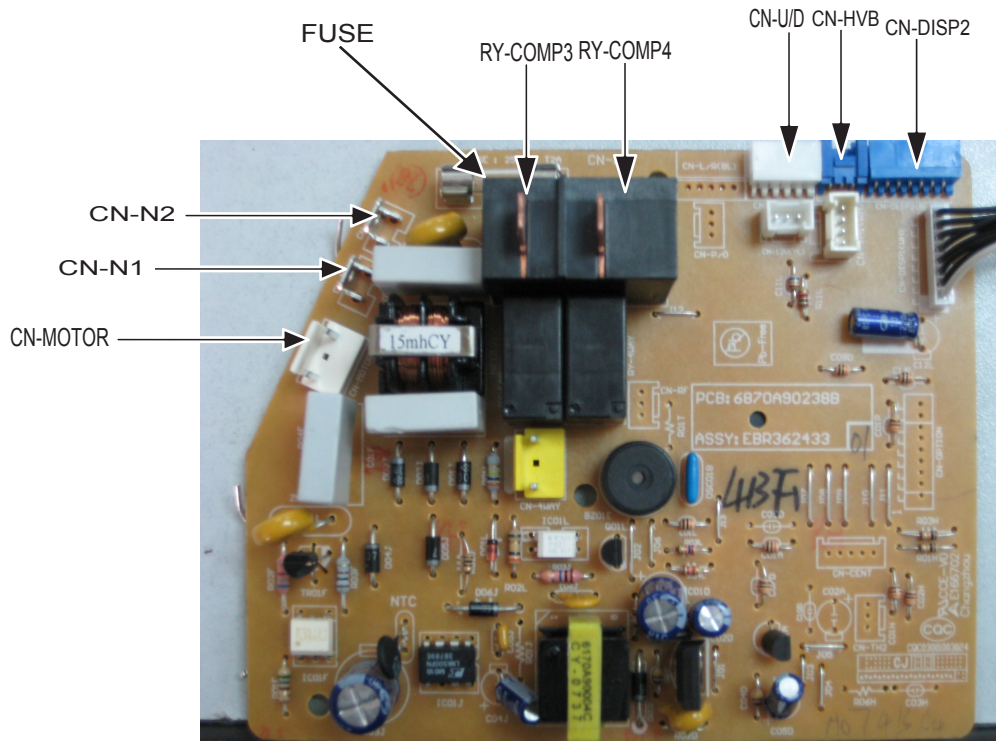
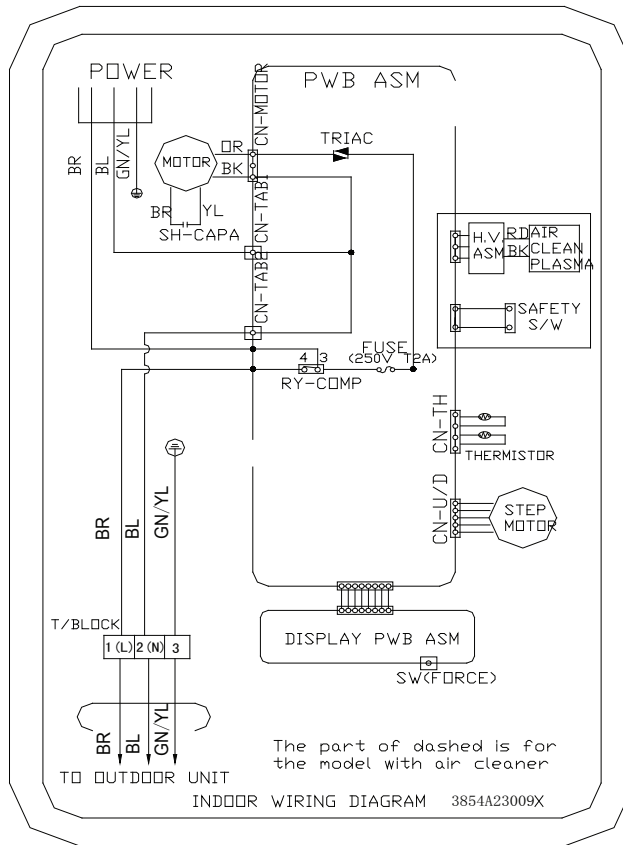
## 2. Piping Diagrams



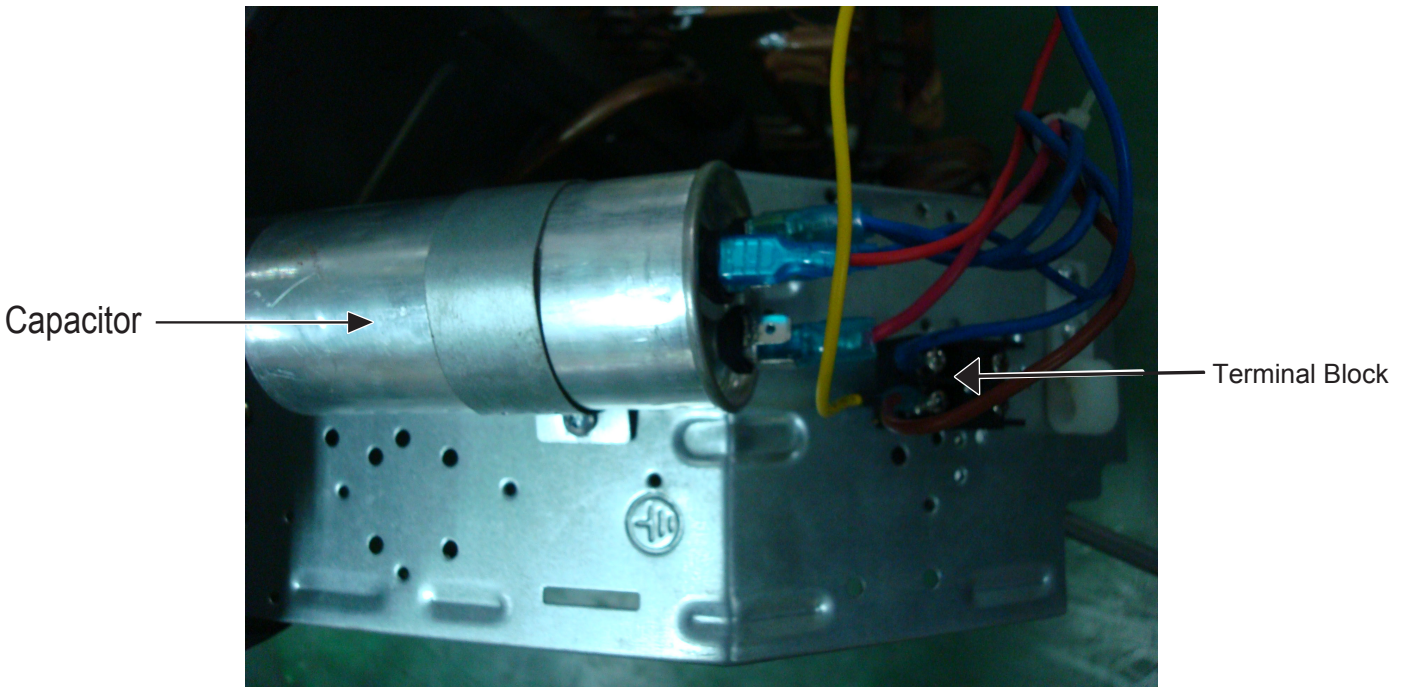
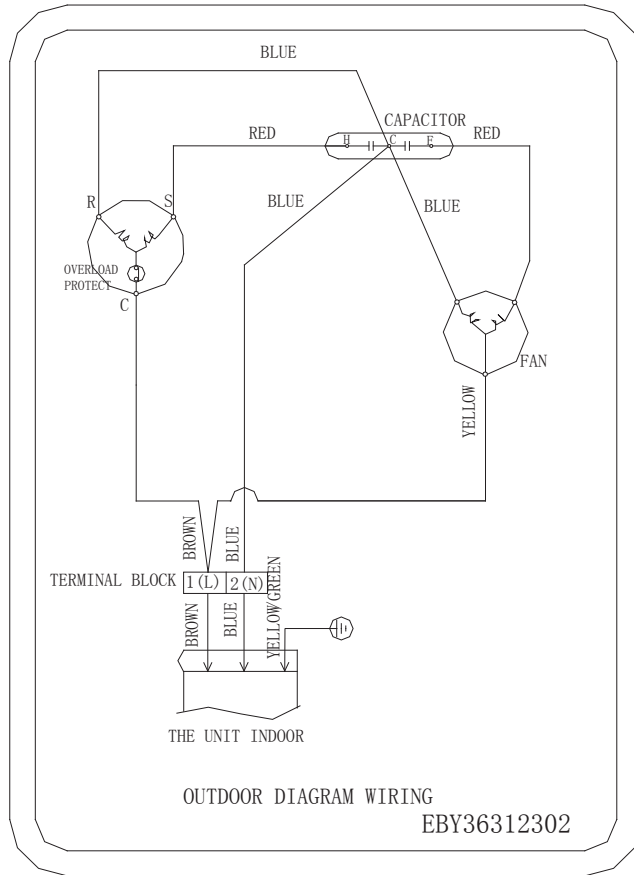
LOC.	Description	PCB Connector
Th1	Thermistor for indoor air temperature	CN-TH1
Th2	Thermistor for evaporating temperature	

### 3. Wiring Diagrams

#### Indoor Unit

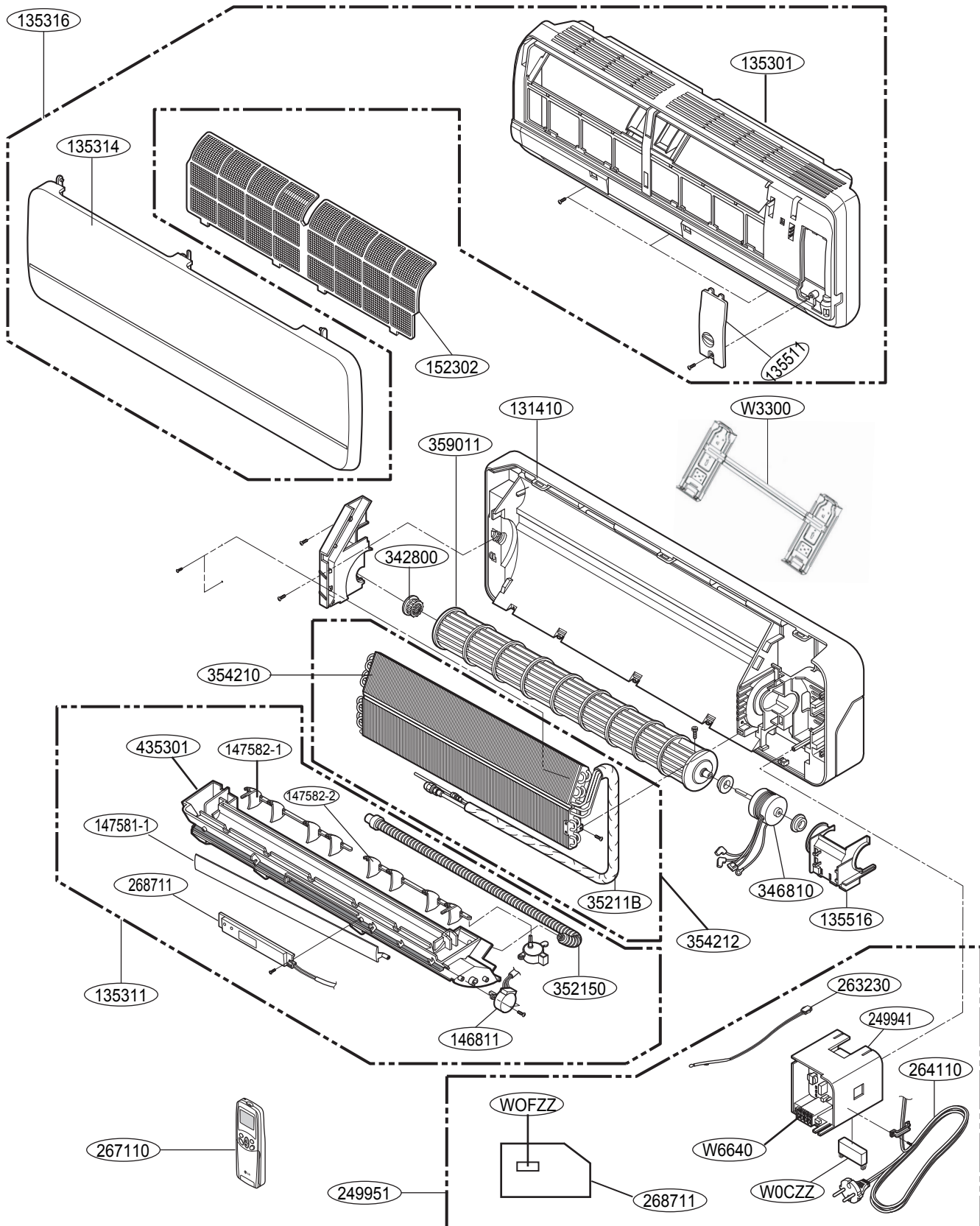


# Outdoor Unit



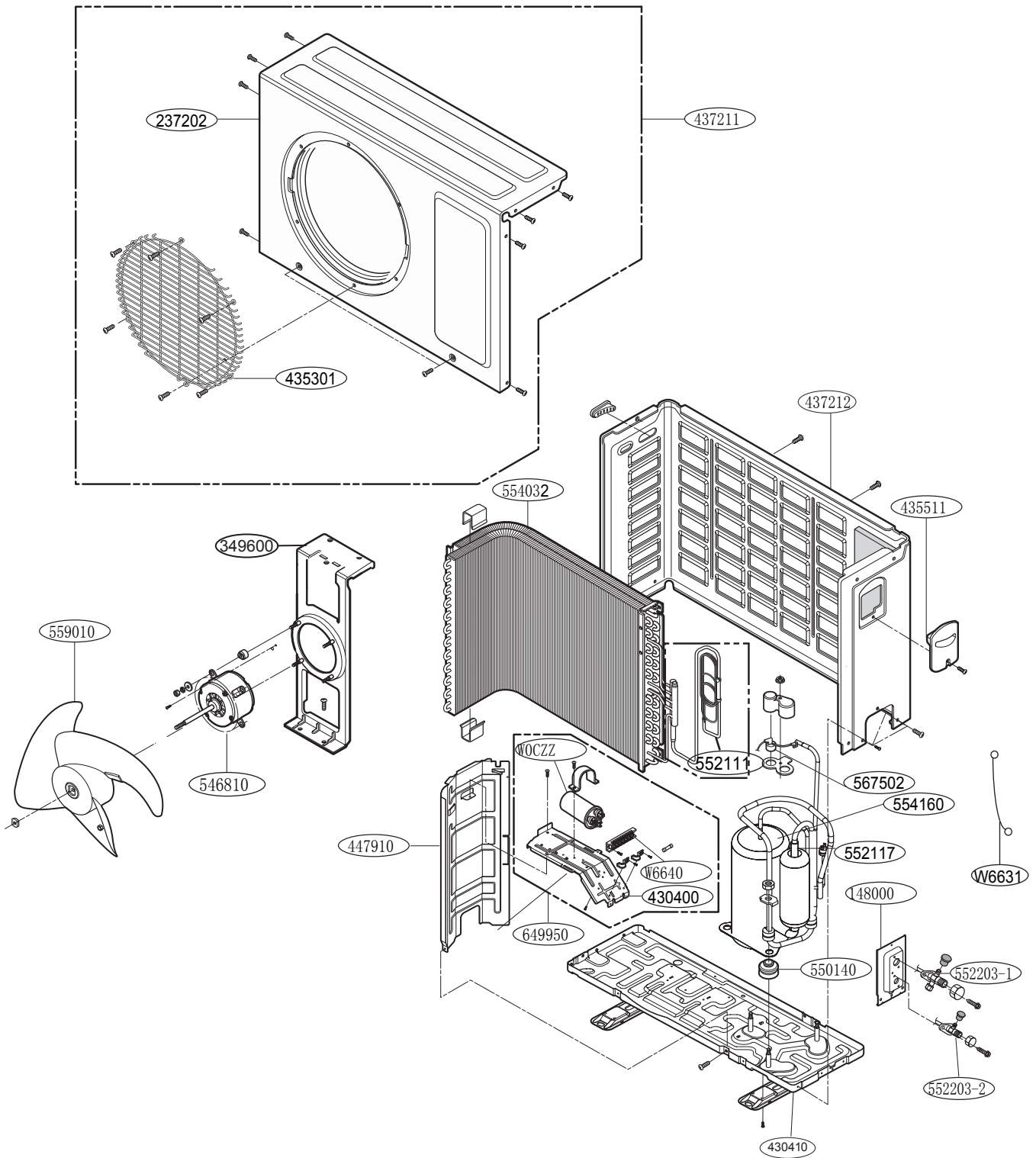
# Exploded View

## 1. Indoor Unit



# Outdoor Unit

■ Models: TS-C122YDA0





P/NO : MFL37322726

DECEMBER, 2008



## Free Manuals Download Website

<http://myh66.com>

<http://usermanuals.us>

<http://www.somanuals.com>

<http://www.4manuals.cc>

<http://www.manual-lib.com>

<http://www.404manual.com>

<http://www.luxmanual.com>

<http://aubethermostatmanual.com>

Golf course search by state

<http://golfingnear.com>

Email search by domain

<http://emailbydomain.com>

Auto manuals search

<http://auto.somanuals.com>

TV manuals search

<http://tv.somanuals.com>