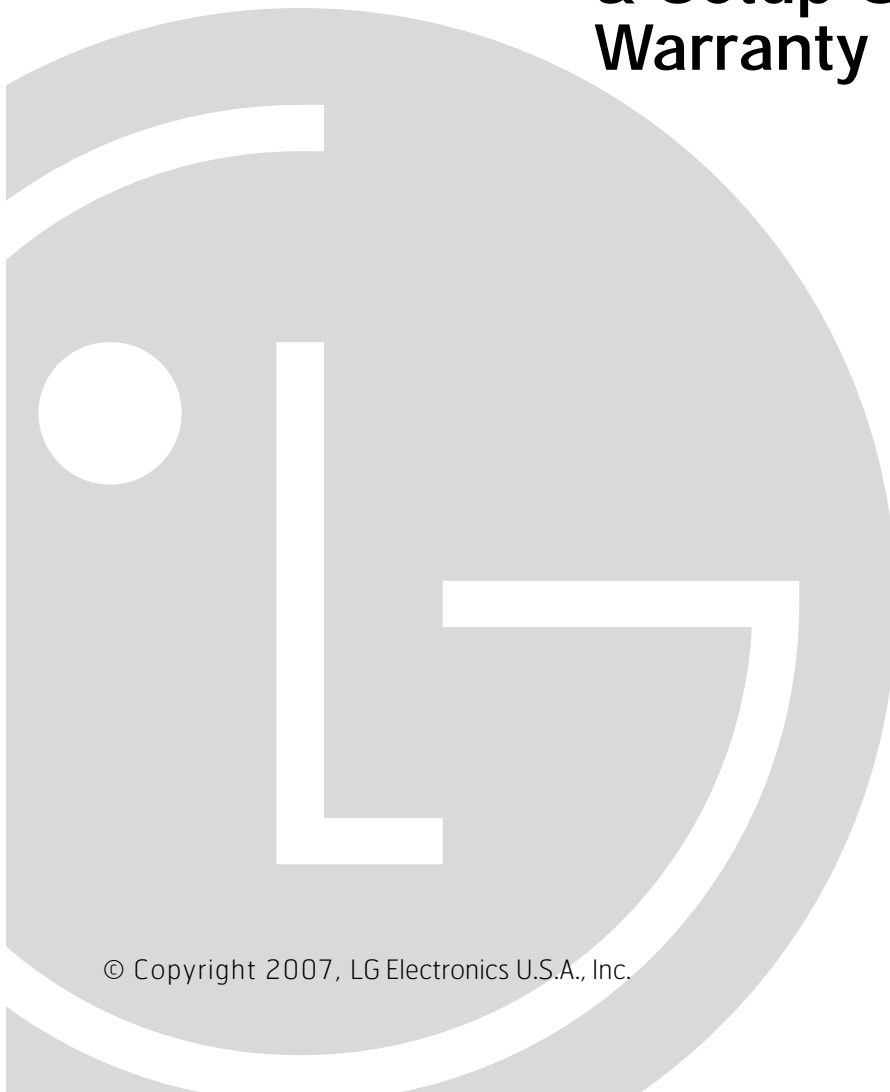




RJP-101M Remote Jack Pack

Installation & Setup Guide Warranty



© Copyright 2007, LG Electronics U.S.A., Inc.

For Customer Support/Service, please call: **1-888-865-3026**
www.lgcommercial.com



The exclamation point within an equilateral triangle is intended to alert the user to the presence of important operating and maintenance (servicing) instructions in the literature accompanying the appliance.

CAUTION:

TO REDUCE THE RISK OF ELECTRIC SHOCK - - USE ONLY INDOORS

ATTENTION:

RISQUE DE CHOCS ÉLECTRIQUE - - POUR INSTALLATION À L'INTÉRIEUR SEULEMENT

WARNING:

TO PREVENT FIRE OR SHOCK HAZARDS, DO NOT EXPOSE THIS PRODUCT TO RAIN OR MOISTURE.

Apparatus shall not be exposed to dripping or splashing and no objects filled with liquids, such as vases, shall be placed on the apparatus.

AVERTISSEMENT:

L'appareil ne doit pas être exposé à des égouttements d'eau ou des éclaboussures et de plus qu'aucun objet rempli de liquide tel que des vases ne doit être placé sur l'appareil.

REGULATORY INFORMATION:

This equipment has been tested and found to comply with the limits for a Class B digital device, pursuant to Part 15 of the FCC Rules. These limits are designed to provide reasonable protection against harmful interference when the equipment is operated in a residential installation. This equipment generates, uses and can radiate radio frequency energy and, if not installed and used in accordance with the instruction manual, may cause harmful interference to radio communications. However, there is no guarantee that interference will not occur in a particular installation. If this equipment does cause harmful interference to radio or television reception, which can be determined by turning the equipment off and on, the user is encouraged to try to correct the interference by one or more of the following measures:

- Reorient or relocate the receiving antenna.
- Increase the separation between the equipment and receiver.
- Connect the equipment into an outlet on a circuit different from that to which the receiver is connected.
- Consult the dealer or an experienced radio/TV technician for help.

CAUTION:

Do not attempt to modify this product in any way (except as noted herein) without written authorization from LG Electronics U.S.A., Inc. Unauthorized modification could void the user's authority to operate this product.

COMPLIANCE:

The responsible party for this product's compliance is:
LG Electronics U.S.A., Inc., 2000 Millbrook Drive
Lincolnshire, IL 60069, USA • Phone: 1-847-941-8000.

Marketed and Distributed in the United States by LG Electronics U.S.A., Inc.
2000 Millbrook Drive, Lincolnshire, IL 60069

Table of Contents

Safety Warnings	2
Table of Contents	3
Overview	4 - 5
Installation	
Installation in Cabinet Backsplash	6
Installer Connections	7 - 8
End-User Operation	
End-User Connections Overview	9
End-User Multi-Media Connections	10
End-User Connectable Devices	11
End-User Audio/Video Input Priorities	12
Reference: 12-Foot Output Cable Assembly	13
Accessory Cable: DVI-HDMI Adapter Cable/Strain Relief	14
Specifications	15 - 16
Troubleshooting	
Troubleshooting	17
Troubleshooting Flow Chart	18
Quick Setup Reference Guide	19
Warranty	Back Cover

Overview



The Remote Jack Pack (RJP) contains circuitry to determine the presence of a signal at each input jack.
(Note: Audio In, Audio In L-R and Video In inputs detect the presence of the inserted plug, regardless if a signal is present or not.)

When a source is detected, its priority is compared to the priority of other sources which may be present. If the newly-connected active source is of higher priority than the existing source(s), the RJP directs the TV display panel to that source.

Video and audio are monitored and switched independently.

Power is supplied to the RJP by the TV display panel via the control signal cable.

CLEANING CAUTION:



Since the end-user jack panel is exposed, use extreme caution when cleaning. Do not use liquid cleaners on the connection panel. Do not allow liquids to be spilled, sprayed onto or otherwise come into contact with the connection panel on either the end-user side or the installer side. Clean with a slightly damp cloth.

7 AMPS MAXIMUM CURRENT FOR THE AC OUTLETS:



The maximum combined total current that is allowable to the four AC power outlets is 7 Amps. These are protected by a circuit breaker type re-settable fuse.

Introduction

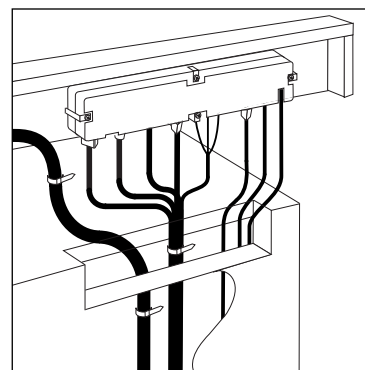
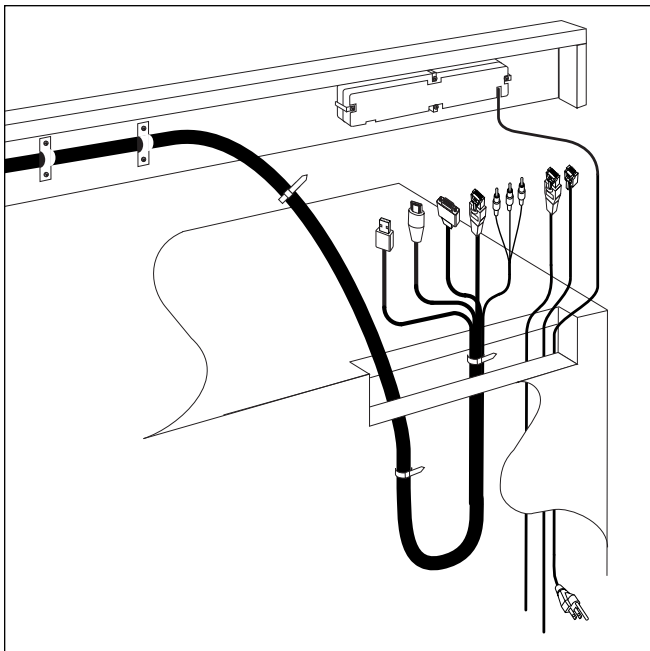
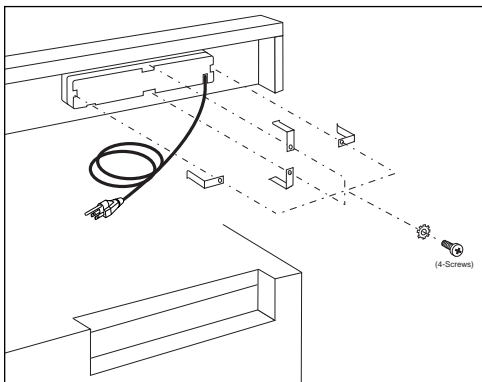
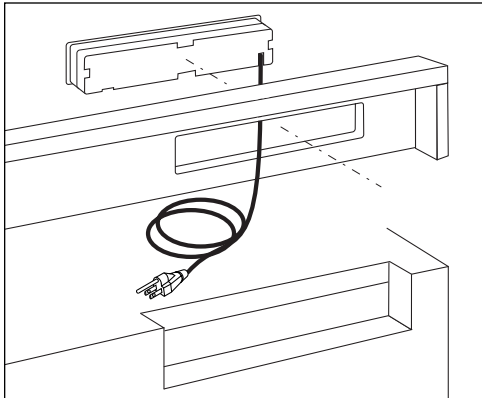
Conveniently installed right in the room where guests will stay, the LG Remote Jack Pack, (RJP) multi-media interface is available to end-users to connect audio, video and computer devices to hear and view on the in-room TV display panel. The RJP can be set up to interface with the TV display panel to show the image and/or sound from a portable DVD/CD Player, Camcorder, MP-3 Player, Notebook computer, or portable Video Game Player. Or, devices with digital video output such as DVD players. A USB connection is available for future applications. If the end-user does not connect any devices, then the in-room TV display panel will remain on the source selected. When the end-user connects a device, the interface switches the TV display panel to the new source. Users can recharge laptop or cell phone batteries while watching TV.

The RJP interface is designed to be able to process audio from one source, and video separately from a different source, if required. (The end-user can work on a laptop computer while listening to music from an MP-3 player.) However, only one audio and one video source can be heard/seen at the same time.

The end-user can simply plug the device's power cord into one of the four convenience AC power outlets provided on the RJP. Then plug in its Audio/Video cable(s) to the RJP input jack(s) and turn the device on. The RJP completes the connection between the newly-connected audio and/or video source and the TV display panel. No end-user menus are involved, all connections are made directly to the interface.

The RJP continually monitors its source inputs. When a signal is detected, (a device is plugged into one of the RJP inputs) the interface sends a message to the TV display panel to switch to the newly-connected source (if the new source is of higher priority). The interface allows only the higher priority audio and video to be heard and seen on the TV display panel. The control cable supplies 12 Volt DC power from the TV display panel to operate the interface.

Installation in Cabinet Backsplash



The RJP-101M can only be installed in a vertical position into the backsplash of the cabinet. Vertical mounting in the backsplash is required so that if liquid is spilled on the desk top, it will not be able to flow into the RJP. The RJP must only be installed in the backsplash panel cutout opening.

It will then need to be secured with the four retainer clips, serrated washers and machine screws provided. The cable wiring assembly and individual cables will need to be connected to the RJP. All cables will need to be threaded along the backside of the backsplash panel through the TV wiring cutout to the TV and other in-room resources. Note: The connector set that is closest to the mesh sleeving is for hook up to the TV display panel.

Installation Instructions

1. Remove the cabinet backsplash and insert the RJP into the cutout opening.
2. Install the four L-shaped mounting retainer clips, screws and serrated washers provided to hold the RJP securely in place. Check to assure that the RJP is securely mounted.
3. Make all connections to the RJP, please see the following page for details.
4. After attaching cable hardware etc., reinstall backsplash on the cabinet.

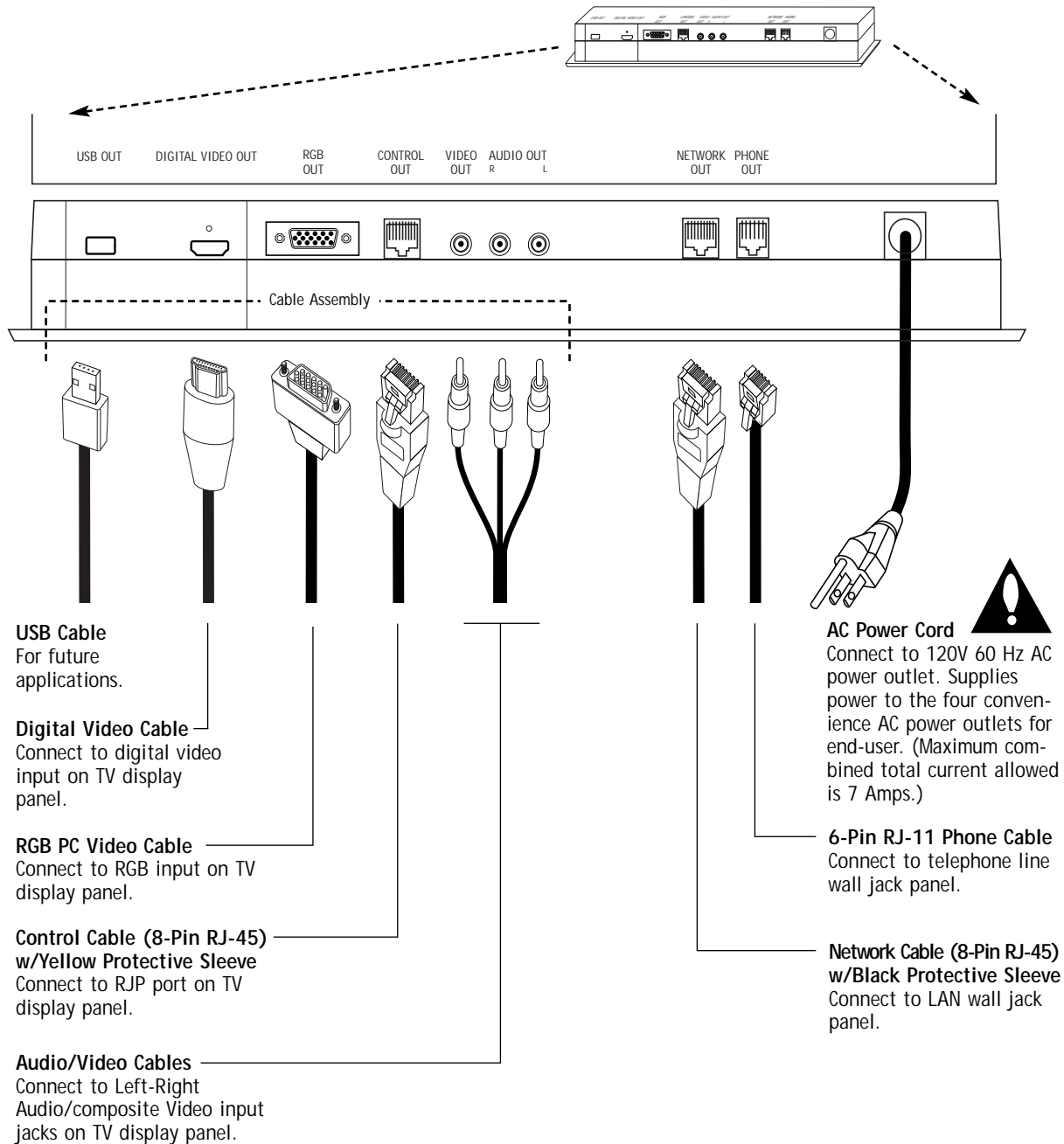
CAUTION: The cable wiring assembly should be handled carefully to avoid damage, as it is fed through the opening and attached to the RJP. The cable assembly needs to be looped down into the area provided and then threaded along the channel in the backside of the backsplash to the TV wiring cutout in the cabinet. The AC power cord should be plugged into a dedicated and appropriate AC wall power outlet.

Installer Connections

The RJP-101M and the cables listed below are to be connected to both the TV display panel and any entertainment resources available in the room.



CAUTION: Be sure power is turned off before attempting to connect the RJP-101M to the TV display panel and in-room resources.



Installer Connections Contd.

After completing connections between the RJP, the TV display panel and other resources, be sure the installer menu items have been updated to enable the RJP. Installer Menu item 040 Auto Camport needs to be set to 000 and 093 RJP Available needs to be set to 001. (See TV installation guide for complete instructions on new TV installations.) A brief description of each of the available RJP connections is provided below.

USB Output Port

For future applications--e.g., digital cameras and flash drives.

Digital Video Output

Connect to digital video input on TV display panel to allow the end-user to show DVD's high-resolution digital video on the in-room TV.

PC RGB Output

Connect to RGB input on TV display panel to allow the end-user to show a computer/Laptop image on the in-room TV.

Control 8-Pin RJ-45 Output Port

Connect to RJP port on TV display panel for control and power supply for the RJP multi-media interface.

Left-Right Audio/Video Output Jacks

Connect to Left-Right Audio/composite Video inputs on TV display panel.

Network Port (8-Pin RJ-45)

Connect to LAN wall jack, if available. Allows the end-user to access the LAN (local area network) server of the institution.

Phone Port (6-Pin RJ-11)

Connect to telephone line wall jack. Allows the end-user, using a computer modem, to connect to their ISP (Internet Service Provider) to access the Internet through a local phone line.

AC Power Cord (Installed on RJP)



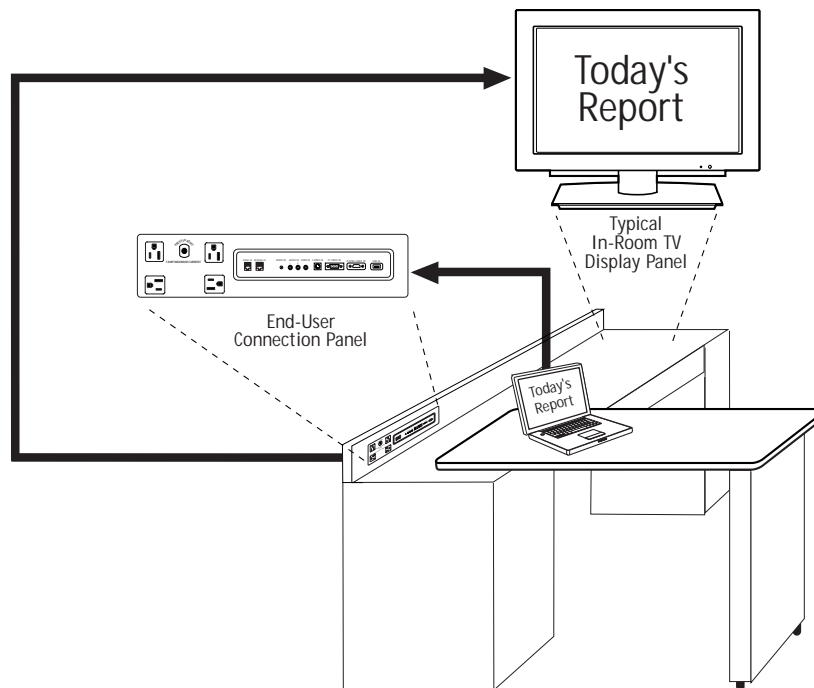
Connect to standard 120V 60Hz AC power outlet.
(Four 120 Volt 60 Hz AC power outlets are provided for the end user. However, 7 Amps. is the maximum combined current allowed for the AC outlets.)

End-User Connections Overview

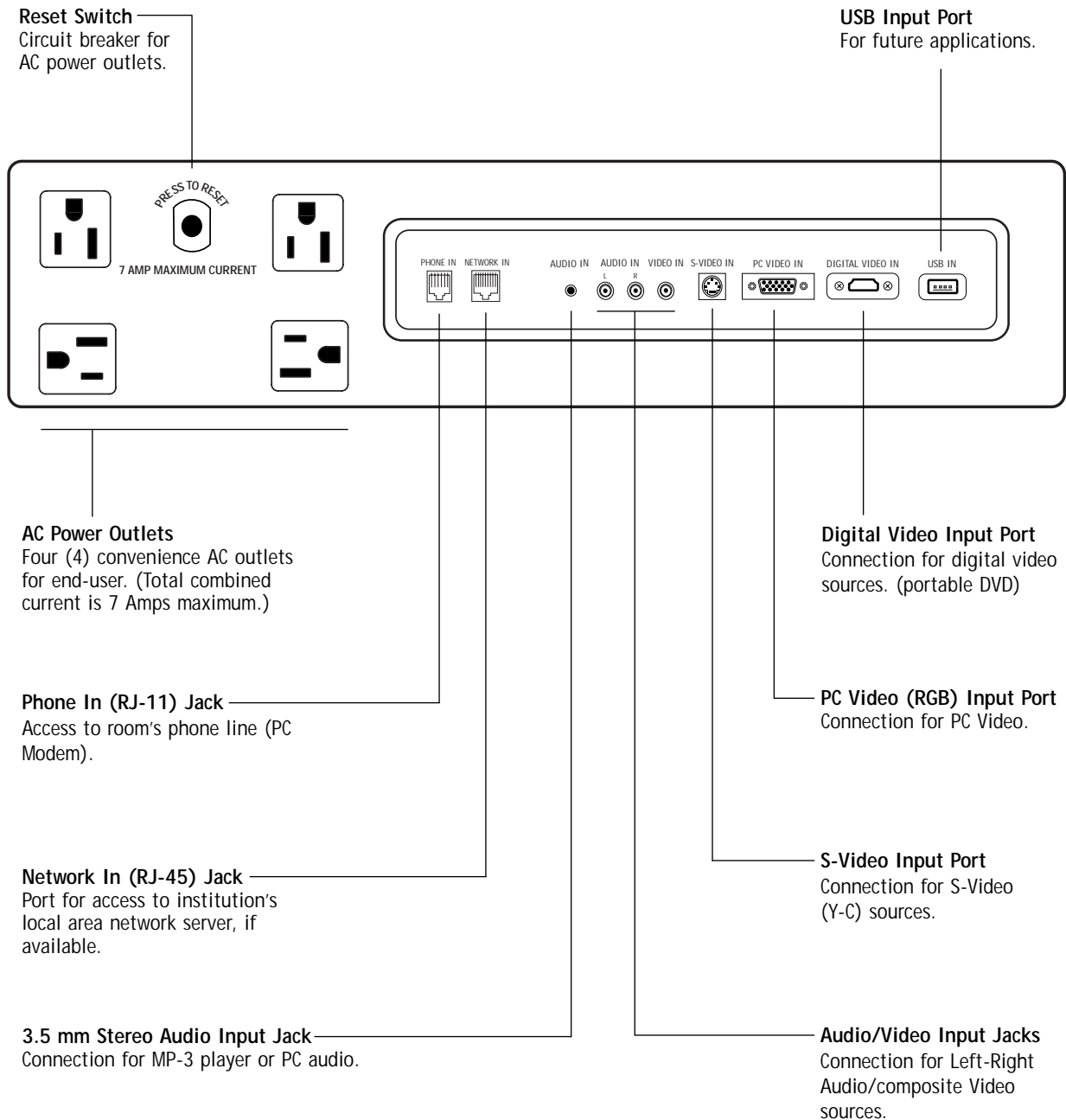
The end-user simply plugs a device such as a laptop computer with the appropriate cables, as shown in the example, into the RJP connection panel. The Remote Jack Pack senses the new source connection and switches the TV to the newly-connected source. The device's sound and image are then presented on the in-room TV display panel. The TV display panel adjusts automatically to the computer output format. When the laptop is disconnected, the interface directs the TV to revert back to the previous source for video and audio.

The end-user has several audio/video connection options available for connecting external devices. The guest/user can connect a portable DVD Player, CD Player, Camcorder, MP-3 Player, Notebook Computer, Portable Video Game Player, etc. For added convenience, four AC power outlets are also available on the front of the interface to provide power for these external devices and/or recharge laptop or cell phone batteries. (The maximum combined current allowed for the AC power outlets is 7 Amps.)

An end-user could connect and hear audio from one device and connect and view video from a different device. The RJP offers two different stereo audio input jacks to accommodate various end-user devices. However, only the higher priority audio source will be selected and heard. Similarly, multiple video inputs are available, but only the higher priority video source will be selected and displayed. (See page 12 input priorities.)



End-User Multi-Media Interface Connections



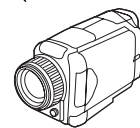
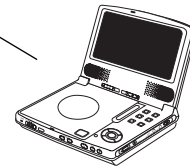
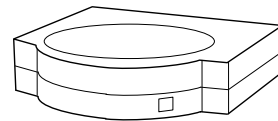
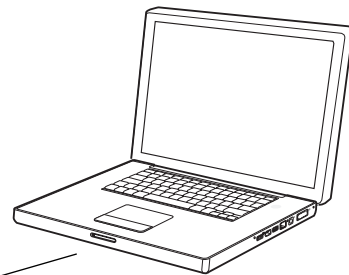
Note: Audio In, Audio In L-R and Video In inputs detect the presence of the inserted plug, regardless if a signal is present or not.

End-User Connectable External Source Devices

Examples of devices a guest/end-user can connect are shown to the right. There are four AC power outlets available on the jack pack for added convenience.

The End-User Can Connect:

- PC Laptop/Notebook Computers
- Portable Video Game Players
- Portable DVD/CD Players
- Camcorders
- Digital Cameras
- MP-3 Audio Players
- USB Flash Drives and other USB devices (if available)



End-User Audio/Video Input Priorities

End-User Audio/Video Input Priorities

Note: The highest priority is listed first.

Audio Inputs/Sources

- 1st. 3.5 mm Stereo Audio Jack
- 2nd. Left - Right Audio Jacks
- 3rd. Digital Video Audio
- 4th. TV Display Panel Tuner Audio (Audio Default)

Video Inputs

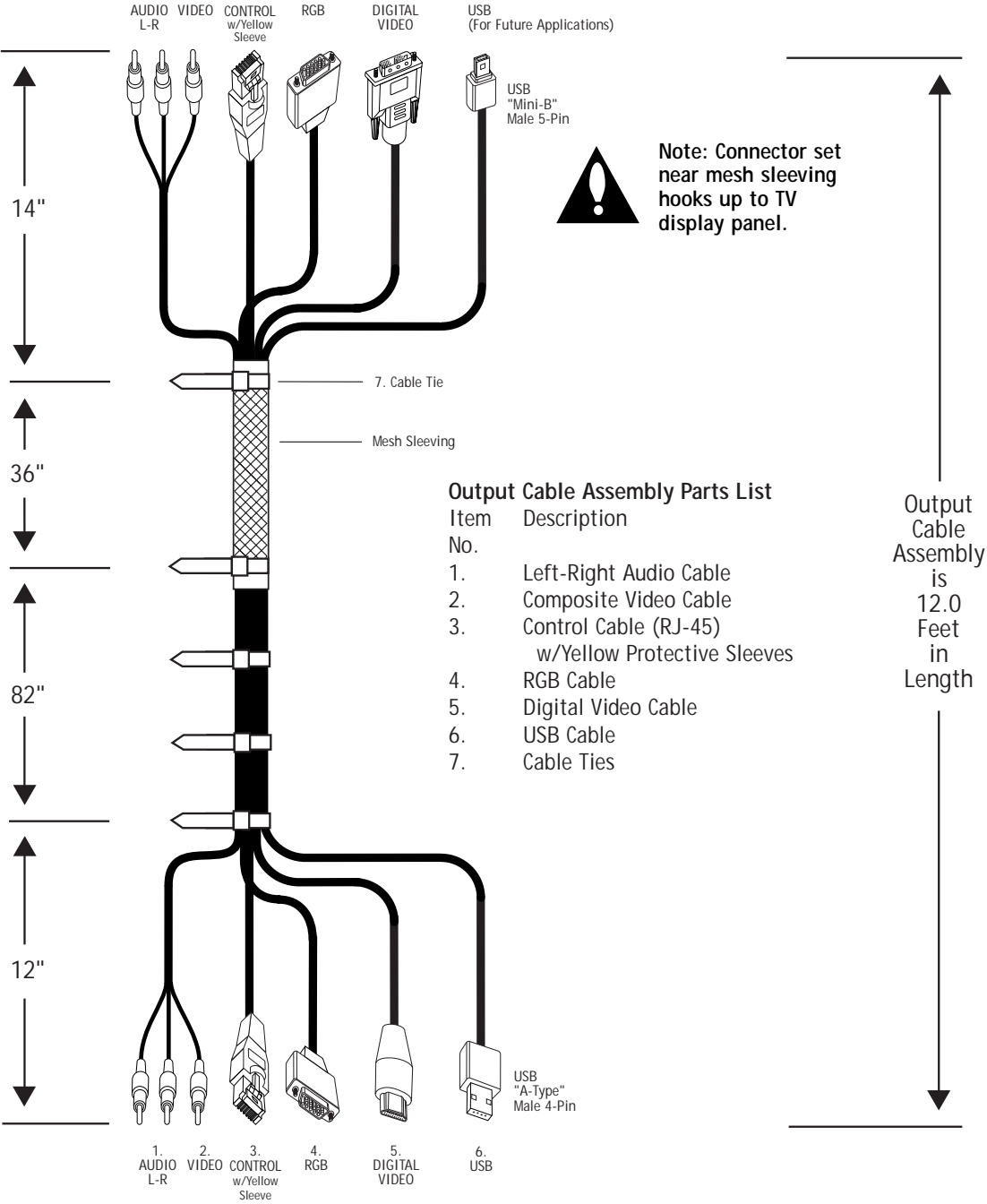
- 1st. Digital Video
- 2nd. PC Video
- 3rd. S-Video
- 4th. Video Composite Jack
- 5th. TV Display Panel Tuner Video (Video Default)

Direct Connections to In-Room Resources

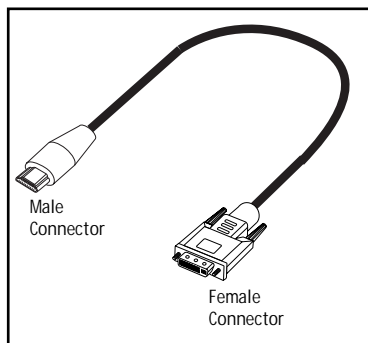
- A. USB (if available)
- B. LAN RJ-45
- C. Phone RJ-11

12-Foot Output Cable Assembly

Connect to Inputs on TV Display Panel

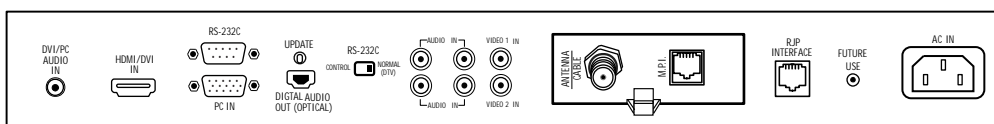
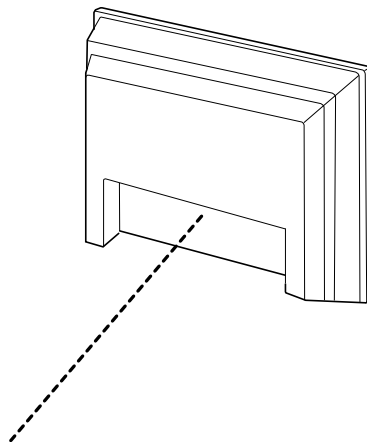


Accessory Cable: DVI to HDMI Adapter Cable Strain Relief



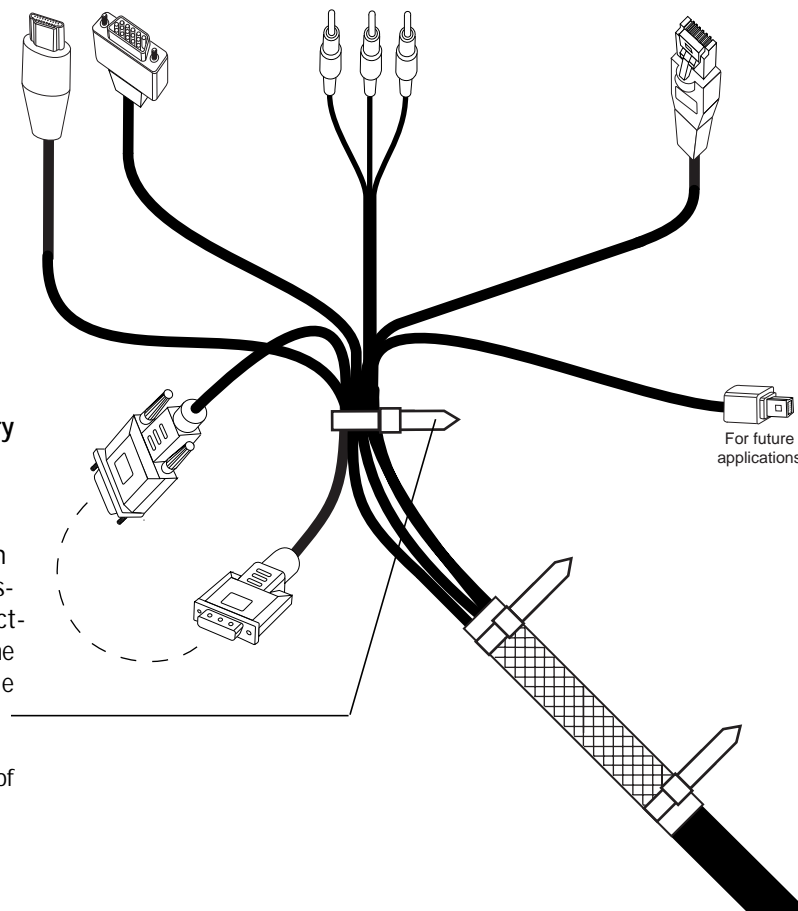
Special Connections Note: Optional DVI to HDMI Adapter Cable

For TVs equipped with HDMI, this adapter cable will be required to connect the RJP for digital video/audio.



Strain Relief for Accessory HDMI Cable

The weight of the DVI adapter connection/cable bundle may put a strain on the HDMI connection, causing it to become disconnected from the TV. Relieve the weight by attaching a cable tie in the position shown.



Note: The actual appearance of the TV etc., may be different than shown in the drawing.

Specifications

Application

Makes available to the hotel's guests, a multi-media interface to the in-room TV display panel and media resources. Input jacks are provided for external portable devices such as DVD/CD Players, Laptop Computers, Camcorders, etc.

Installer Connections

USB Out	USB Connector ("A" -type female)
Digital Video Out	Digital Video Connector
RGB OUT	15-pin RGB PC Monitor Connector
Control Out	Control Jack (8-Pin RJ-45)
Video Out	1 Vpp into 75 ohms, Composite or Y+C Combined Video Jack +/- 1 db @ 4.2 MHz
Audio Out L-R	Left/Right Audio Jacks Max: 1.6 V RMS (1 KHz) @ 600 ohms, Typ: 250mV RMS @ 600 ohms
Network Out	LAN Jack (8-Pin RJ-45)
Phone Out	Phone Jack (6-Pin RJ-11)

Supplied Accessories List

(Cable Assembly) Note: All cables within cable bundle are 12 feet in length.

- USB Cable
- Digital Video Cable
- PC Video RGB Cable
- Control Cable (8-Pin RJ-45)
- 1-Set Audio/Video Cables

(Separate Cables)

- Phone Cable (6-Pin RJ-11)
- Network Cable (8-Pin RJ-45)
- DVI (F) to HDMI (M) Adapter Cable (Optional)

(Attached Cable)

- AC Power Cord, 120V 60Hz

(Misc. Hardware)

- 5-Retainer Clips, L-Shaped (4-Required)
- 5-Machine Screws w/Serrated Washers (4-Required)
- 1 Black Cable Tie (DVI to HDMI Adapter Cable see page 14.)

Note: Design and specifications are subject to change without prior notice.

Specifications Contd.

Dimensions

Height	4.1 Inches	(10.4 cm)
Width	16.5 Inches	(41.9 cm)
Depth	2.2 Inches	(5.6 cm)
Weight (Approx.)	2.78 Pounds	(1.260986 kgrms)

End-User Device Inputs

AC Outlets x 4	AC 120V 60Hz (Maximum 7 Amps. total combined current allowed for AC outlets)
Phone In	Phone Jack (6-Pin RJ-11)
Network In	LAN Jack (8-Pin RJ-45)
Audio In	3.5 mm Stereo Audio Jack
Audio In L-R	Left - Right Audio Jacks (Nom In: 250mV RMS @ 22K ohms) Overload In: 1.6V RMS Max
Video In	Composite Video Jack 1 Vpp, 75 ohms
S-Video In	Y-C Connector Y=1 Vpp, 75 ohms. C=0.3 Vpp Color Burst, 75 ohms
PC Video In	15-pin RGB PC Monitor Connector
Digital Video In	Digital Video Connector
USB In	USB Connector ("A"-type female)

Regulatory

UL, FCC	Class B, Digital Video Device
---------	-------------------------------

Environmental Parameters

Operating Temperature	0° to 40° Degrees Celsius (32° to 104° Degrees Fahrenheit)
Storage Temperature	-20° to 85° Degrees Celsius (-4° to 185° Degrees Fahrenheit)
Cooling	Free Air Convection
Humidity	10% to 90% Non-condensing

Troubleshooting

Equipment Setup Analysis Notes

- RJP USB port is a pass-through connection, reserved for future applications.
- Make sure all connectors and connections are tight and secure on user device, RJP-101M and TV.
- Check to assure user device, RJP-101M and TV are all powered up and working properly and that the TV Installer menu items are set correctly.
- Check to assure network interface to host is viable and working.
- Audio and Video can be from different sources. Default is TV tuner Audio and Video, if no other audio/video source is connected.
- Audio source must be viable. The audio output from the customer's device must be present when connected to be heard at the TV.
- RJP AC circuit breaker maximum is 7 Amps. If 7 Amp current limit is exceeded, breaker will trip; unplug all accessory devices from RJP AC outlets and press RESET.

Test Procedures

- Test and connect only one user device to determine if RJP is providing audio/video to TV.
- Test user device on another RJP (perhaps located in a different room) to determine if user device is compatible with RJP.
- On LCD or Plasma TVs, be sure Installer menu item 040 is set to 000 and 093 is set to 001 to enable RJP mode.

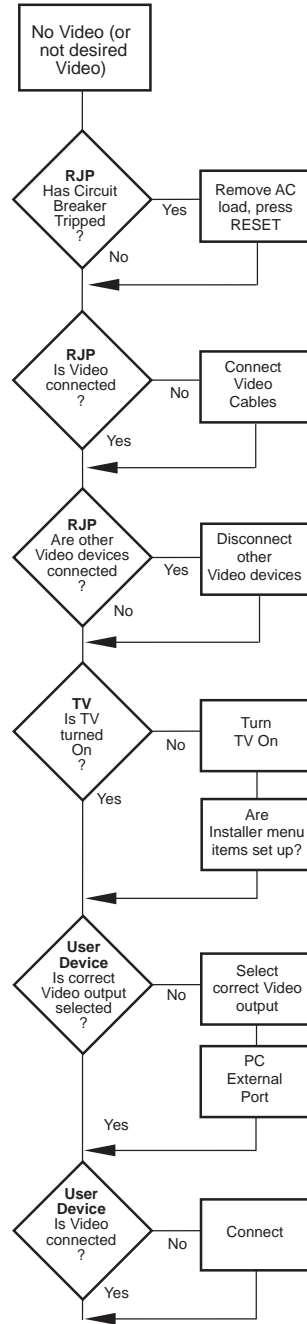
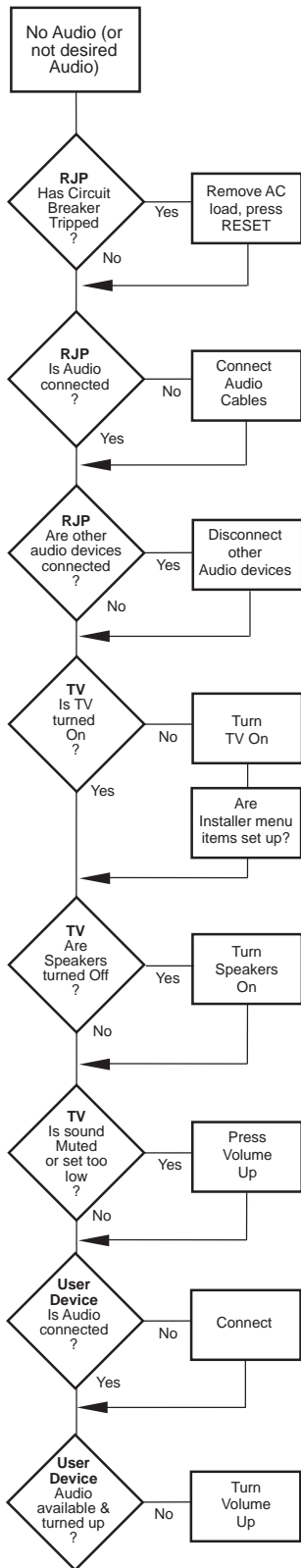
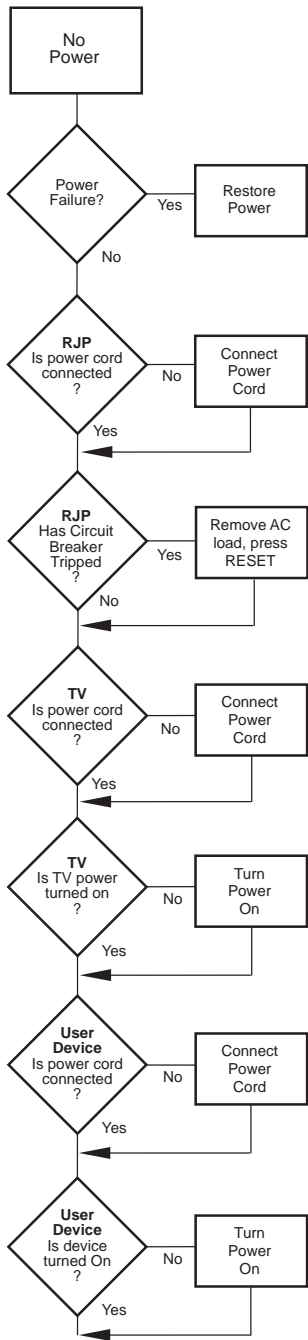
Following are some possible solutions to problems:

Problem	Possible Cause(s) Check RJP, User Device and In-Room TV
No Power	<ul style="list-style-type: none">• Power not connected?• Circuit breaker on RJP tripped? (Unplug all accessory devices from RJP AC outlets, press RESET.)
No Audio	<ul style="list-style-type: none">• Have all audio connections been made?• Audio output available?• Volume level turned up?• Sound muted?• TV setup correct for RJP? (Installer menu item 040 is set to 000 and 093 set to 001.)• Try another RJP.• Priority level? (Disconnect other devices.)
No Video	<ul style="list-style-type: none">• Video output available?• All video cables connected?• TV setup correct for RJP? (Installer menu item 040 is set to 000 and 093 set to 001.)• Priority level? (Disconnect other devices.)
Poor Video	<ul style="list-style-type: none">• Check connections. (Video pass-through no user action possible.)

USB

- | | |
|-----------------|--|
| No USB function | <ul style="list-style-type: none">• USB connected?• RJP USB port is a pass-through, no action possible. |
|-----------------|--|

Troubleshooting Flow Charts

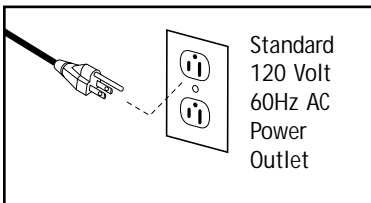
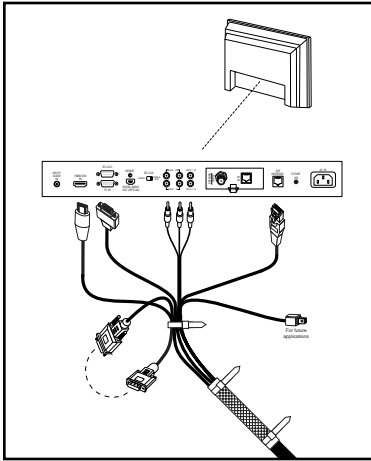
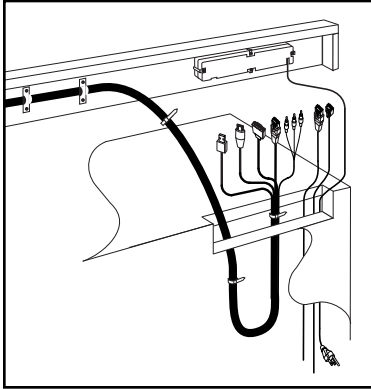


Quick Setup Guide

Installer RJP-101M Quick Setup Reference Guide

Following are the tasks associated with installing and setting up an RJP-101M System.

1. Install RJP-101M in cabinet.
2. Make all hard wire connections to RJP-101M, TV and any other in-room resources.
3. Plug all system components into power sources.



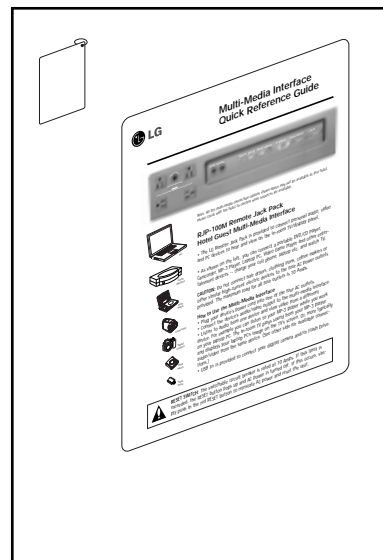
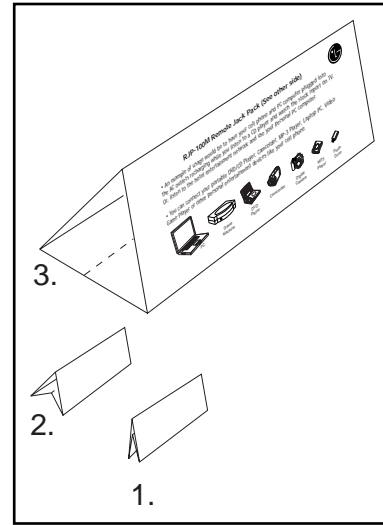
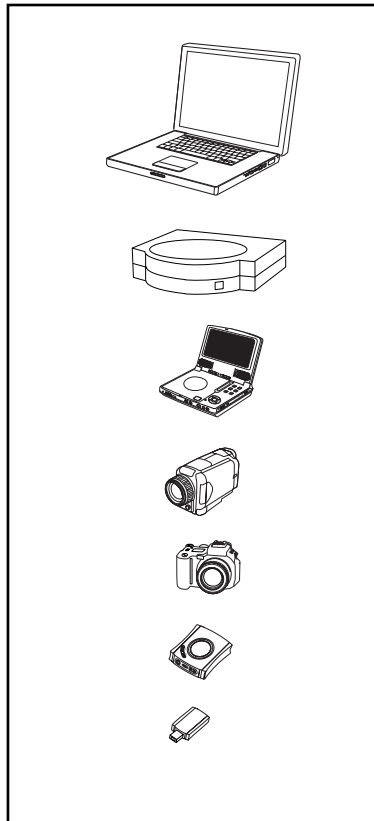
4. Adjust TV installer menu items 040 and 093 to enable RJP capability. (See TV installation guide for complete instructions on new TV installations. The master TV setup can be modified to include RJP settings for multiple system installations.)
5. Test the system with user-type devices to assure TV sound/picture are as desired.

6. Provide user information in room. (As applicable to your entertainment system.)

- RJP-101M Tent Card. (Or comparable equivalent from Lodge)
- RJP-101M Quick Reference Guide. (Or comparable equivalent from Lodge)

Typical TV Display Panel Installer Menu

Item	Desc.	Set
040	Auto Campport	000
093	RJP Available	001



LG RJP-101M Warranty

Remote Jack Pack Welcome to the LG family! We believe that you will be pleased with your new LG product. Please read this warranty carefully, it is a "LIMITED WARRANTY" as defined under Federal Law. This warranty gives you specific legal rights, and you may also have other rights that vary from state-to-state within the U.S.A.

LG'S RESPONSIBILITY

- Service Labor** During a period of one year from effective warranty date, LG will replace a defective unit, as determined by the LG service center, as a result of manufacturing defects.
- Replacement** New or remanufactured replacements for factory-defective units will be supplied by an LG authorized service center for one year from effective warranty date. Such replacement unit is warranted for the remaining portion of the original warranty period.
- Warranty Service** Warranty service is provided in the institution in most cases.
Call **1-888-865-3026** for further information.
- Not Covered** This warranty covers manufacturing defects and does not cover installation, adjustment of customer controls, installation or repair of antenna systems, cable converters or cable company-supplied equipment; it also does not cover damage due to misuse, abuse, negligence, acts of God or other causes beyond the control of LG. Any alteration of the product after manufacture voids this warranty in its entirety.
THIS WARRANTY IS IN LIEU OF ANY OTHER WARRANTY, EXPRESS OR IMPLIED, INCLUDING WITHOUT LIMITATION, ANY WARRANTY OF MERCHANTABILITY OR FITNESS FOR A PARTICULAR PURPOSE, AND LG SHALL NOT BE LIABLE FOR ANY CONSEQUENTIAL, INDIRECT, OR INCIDENTAL DAMAGES OF ANY KIND, INCLUDING LOST REVENUES OR PROFITS IN CONNECTION WITH THIS PRODUCT. SOME STATES DO NOT ALLOW LIMITATIONS ON HOW LONG AN IMPLIED WARRANTY LASTS OR THE EXCLUSION OR LIMITATION OF INCIDENTAL OR CONSEQUENTIAL DAMAGES, SO THE ABOVE LIMITATIONS OR EXCLUSIONS MAY NOT APPLY TO YOU.

OWNER'S RESPONSIBILITY

- Effective Warranty Date** Warranty begins on the date of installation of the RJP-101M Multi-Media Interface.
For your convenience, keep the dealer's dated bill of sale or delivery ticket as evidence of the purchase date.
- Installation Guide** Read the Installation and Setup Guide carefully so that you will understand the functions of the RJP-101M and how to make adjustments.
- Antenna** Reception problems caused by inadequate antenna or faulty antenna connections are the owner's responsibility.
- Audio Output** Audio problems caused by inadequate audio devices or audio material with sound level lapses are not within the control of LG and therefore are the owner's responsibility.
- Warranty Service** **For warranty service information, call 1-888-865-3026.**
- A replacement unit that is LG's responsibility (see above) will be provided without charge. Other service is at the owner's expense.
- If you have any problem in obtaining satisfactory warranty service, call **1-888-865-3026**.
- You must provide the model number, serial number and date of purchase or date of original installation.
- Before you ask for warranty service, reread this guide. You might avoid a service call.

For Customer Support/Service please call: **1-888-865-3026**

www.lgcommercial.com

Free Manuals Download Website

<http://myh66.com>

<http://usermanuals.us>

<http://www.somanuals.com>

<http://www.4manuals.cc>

<http://www.manual-lib.com>

<http://www.404manual.com>

<http://www.luxmanual.com>

<http://aubethermostatmanual.com>

Golf course search by state

<http://golfingnear.com>

Email search by domain

<http://emailbydomain.com>

Auto manuals search

<http://auto.somanuals.com>

TV manuals search

<http://tv.somanuals.com>