



website:<http://biz.LGservice.com>
e-mail:<http://www.LGservice.com/techsup.html>

COLOR TV SERVICE MANUAL

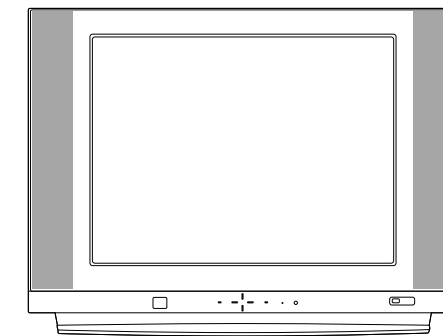
CHASSIS : MC-007A

MODEL:CE/CL-29Q46ET



CAUTION

BEFORE SERVICING THE CHASSIS,
READ THE SAFETY PRECAUTIONS IN THIS MANUAL.



P/NO : 3828VD0077T

Feb.,2001
Printed in Korea

CONTENTS

Contents	2
Safety Precautions	3
Specifications	4
Control Descriptions	5
Disassembly Instructions	8
Adjustment Instructions	9
Exploded View	14
Exploded View Parts List	15
Replacement Parts List	16
SVC. Sheet	

SAFETY PRECAUTIONS

IMPORTANT SAFETY NOTICE

Many electrical and mechanical parts in this chassis have special safety-related characteristics. These parts are identified by Δ in the Schematic Diagram and Replacement Parts List.

It is essential that these special safety parts should be replaced with the same components as recommended in this manual to prevent X-RADIATION, Shock, Fire, or other Hazards.

Do not modify the original design without permission of manufacturer.

General Guidance

An **Isolation Transformer should always be used** during the servicing of a receiver whose chassis is not isolated from the AC power line. Use a transformer of adequate power rating as this protects the technician from accidents resulting in personal injury from electrical shocks.

It will also protect the receiver and its components from being damaged by accidental shorts of the circuitry that may be inadvertently introduced during the service operation.

If any fuse (or Fusible Resistor) in this TV receiver is blown, replace it with the specified.

When replacing a high wattage resistor (Oxide Metal Film Resistor, over 1W), keep the resistor 10mm away from PCB.

Keep wires away from high voltage or high temperature parts.

Due to high vacuum and large surface area of picture tube, extreme care should be used in **handling the Picture Tube**. Do not lift the Picture tube by its Neck.

X-RAY Radiation

Warning:

The source of X-RAY RADIATION in this TV receiver is the High Voltage Section and the Picture Tube. For continued X-RAY RADIATION protection, the replacement tube must be the same type tube as specified in the Replacement Parts List.

To determine the presence of high voltage, use an accurate high impedance HV meter.

Adjust brightness, color, contrast controls to minimum.

Measure the high voltage.

The meter reading should indicate

23.5 ; 15KV: 14-19 inch, 26 ; 15KV: 19-21 inch,

29.0 ; 15KV: 25-29 inch, 30.0 ; 15KV: 32 inch

If the meter indication is out of tolerance, immediate service and correction is required to prevent the possibility of premature component failure.

Before returning the receiver to the customer,

always perform an **AC leakage current check** on the exposed metallic parts of the cabinet, such as antennas, terminals, etc., to be sure the set is safe to operate without damage of electrical shock.

Leakage Current Cold Check(Antenna Cold Check)

With the instrument AC plug removed from AC source, connect an electrical jumper across the two AC plug prongs. Place the AC switch in the on position, connect one lead of ohm-meter to the AC plug prongs tied together and touch other ohm-meter lead in turn to each exposed metallic parts such as antenna terminals, phone jacks, etc.

If the exposed metallic part has a return path to the chassis, the measured resistance should be between $1M\Omega$ and $5.2M\Omega$.

When the exposed metal has no return path to the chassis the reading must be infinite.

An other abnormality exists that must be corrected before the receiver is returned to the customer.

Leakage Current Hot Check (See below Figure)

Plug the AC cord directly into the AC outlet.

Do not use a line Isolation Transformer during this check.

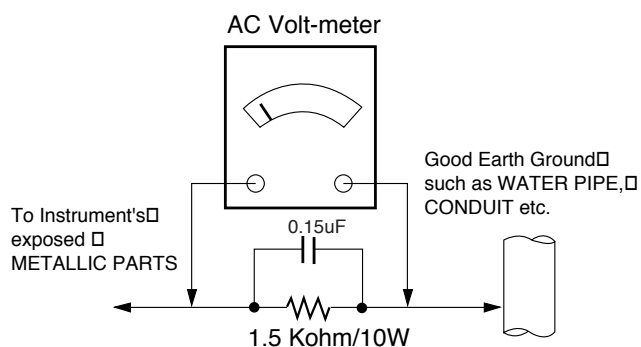
Connect 1.5K/10watt resistor in parallel with a 0.15uF capacitor between a known good earth ground (Water Pipe, Conduit, etc.) and the exposed metallic parts.

Measure the AC voltage across the resistor using AC voltmeter with 1000 ohms/volt or more sensitivity.

Reverse plug the AC cord into the AC outlet and repeat AC voltage measurements for each exposed metallic part. Any voltage measured must not exceed 0.75 volt RMS which is corresponds to 0.5mA.

In case any measurement is out of the limits specified, there is possibility of shock hazard and the set must be checked and repaired before it is returned to the customer.

Leakage Current Hot Check circuit



SPECIFICATIONS

Note : Specification and others are subject to change without notice for improvement.

- i **Video input system:**
 - PAL-B/G, D/K, I/I
 - SECAM-B/G, D/K/L/L'
 - NTSC M
 - NTSC 4.43(AV)
- SOUND IF : 33.4MHz (B/G)
32.9MHz (I/I)
32.4MHz (D/K,L)
34.4MHz (M)
40.4MHz (L')
- i **Intermediate Frequency (Unit : MHz)**
 - VISION IF : 38.9MHz,33.9MHz(SECAM-L')
 - COLOR IF : 34.47MHz(4.43)
 - 35.32MHz(3.58) : NTSC-M
 - (VIF-4.25000MHz) : SECAM
 - VIF-4.40625MHz
- i **Power requirement :** 110~240V, 50/60Hz
- i **Power consumption :** 100W
- i **CPT :** True Flat CPT(Flatron)

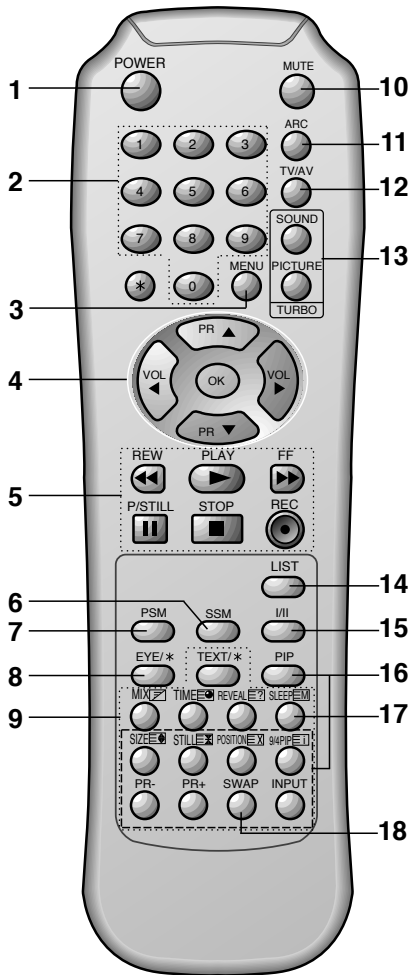
i **Tuning range**

Band	For TV				For CATV
	B/G	D/K	I/I	NTSC	
VHF-Low	Ch2-4	Ch1-5		Ch2-13	S1'-S3', S1
VHF-High	Ch5-12	Ch6-12	Ch4-13		S2-S10, S11-S20
Hyper					S21-S41
UHF	Ch21-69			Ch14-69	

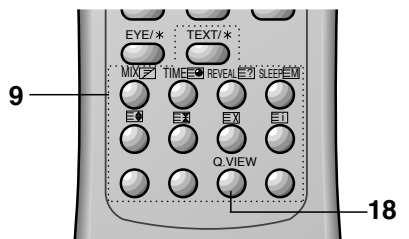
- i **Tuning system :**
 - FVS
 - 100 Programme memory
 - 200 Programme memory(For CHINA)
- i **Antenna input impedance :** VHF/UHF 75 ohm, unbalanced
- i **OSD (On Screen Display) :** MENU Type
- i **Voice coil impedance :** 8 ohm
- i **Sound output :** 12W+12W
Dual/Stereo : A2/NICAM(Optional)
- i **External connection :**
 - Front or Side
 - Head Phone Jack
 - S-VIDEO in
 - A/V in :1 pair
 - Back
 - Scart 1(Full)
 - A/V in/out
 - Scart 2(Half)+Audio out
 - A/V in/out
- i **External In/Output**
 - Audio-In:0.5Vrms; 3db, over 10Kohm
 - Audio-Out:0.5Vrms; 3db, below 1Kohm
 - Video-In/Out:1Vp-p; 3db, 75ohm
 - R,G,B In:0.7Vp-p; 3db
- i **Feature :**
 - Auto programme/Manual programme
 - SVM (Scanning Velocity Modulation)
 - Digital Eye
 - Digital Comb Filter
 - Auto Sleep
 - Dynamic Focus
 - Programme Editing
 - PSM (Picture Status Memory)
 - CTI
 - Double Window Teletext (TOP/FLOF)
 - Turbo Search, Picture & Sound
 - ACMS
 - ARC (Zoom 1/ZOOM 2, 16:9; 4:3)
 - 1 TUNER PIP(Double Window PIP)
- i **Child Lock :**
 - In the Lock On state the TV can only be operated by the Remote Controller.
 - If any button on the front panel is pressed, "Child Lock" is displayed on the screen but the button's function is not performed.
 - To cancel of this mode, select lock off with menu button on remote controller only.

DESCRIPTION OF CONTROLS

All the functions can be controlled with the remote control handset. Some functions can also be adjusted with the buttons on the front panel of the set.



(With teletext / PIP)



(With teletext / Without PIP)

Remote control handset

Before you use the remote control handset, please install the batteries. See the next page.

1. **POWER**
switches the set on from standby or off to standby.
2. **NUMBER BUTTONS**
switches the set on from standby or directly select a number.
3. **MENU**
selects a menu.
4. **▲ / ▼ (Programme Up/Down)**
selects a programme or a menu item.
◀ / ▶ (Volume Up/Down)
adjusts the volume.
OK
accepts your selection or displays the current mode.
5. **VCR BUTTONS (option)**
control a LG video cassette recorder.
6. **SSM (Sound Status Memory)**
recalls your preferred sound setting.
7. **PSM (Picture Status Memory)**
recalls your preferred picture setting.
8. **EYE/* (option)**
switches the eye function on or off.
9. **TELETEXT BUTTONS (option)**
These buttons are used for teletext.
For further details, see the 'Teletext' section.
10. **MUTE**
switches the sound on or off.
11. **ARC (Aspect Ratio Control)**
changes the picture format.
12. **TV/AV**
selects TV or AV mode.
clears the menu / text from the screen.
13. **TURBO PICTURE / SOUND BUTTON**
selects Turbo picture / sound.

14. LIST

displays the programme table.

15. I/II

selects the language during dual language broadcast (option).
selects the sound output.

16. PIP BUTTONS (option)

PIP

switches the sub picture on or off.

PR +/-

selects a programme for the sub picture.

SWAP

alternates between main and sub picture.

INPUT

selects the input mode for the sub picture.

SIZE

adjusts the sub picture size.

STILL

freezes motion of the sub picture.

POSITION

relocates the sub picture in clockwise direction.

9/4 PIP

switches on or off the 9 or 4 sub pictures.

17. SLEEP

sets the sleep timer.

18. SWAP or Q.VIEW

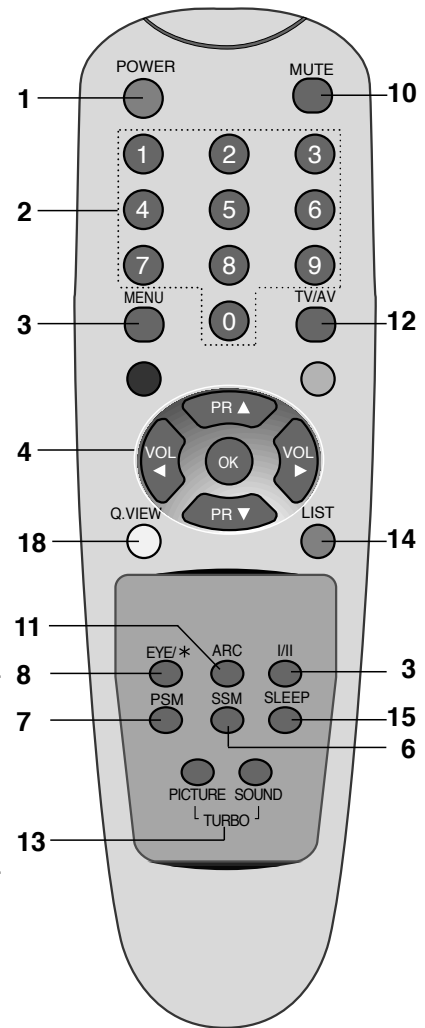
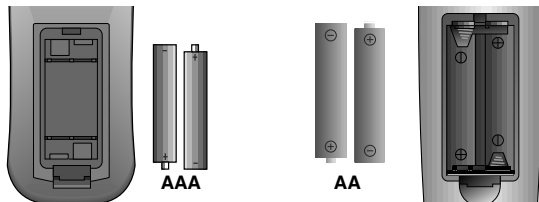
returns to the previously viewed programme.

COLOURED BUTTONS

These buttons are used for teletext (only TELETEXT models) or programme edit.

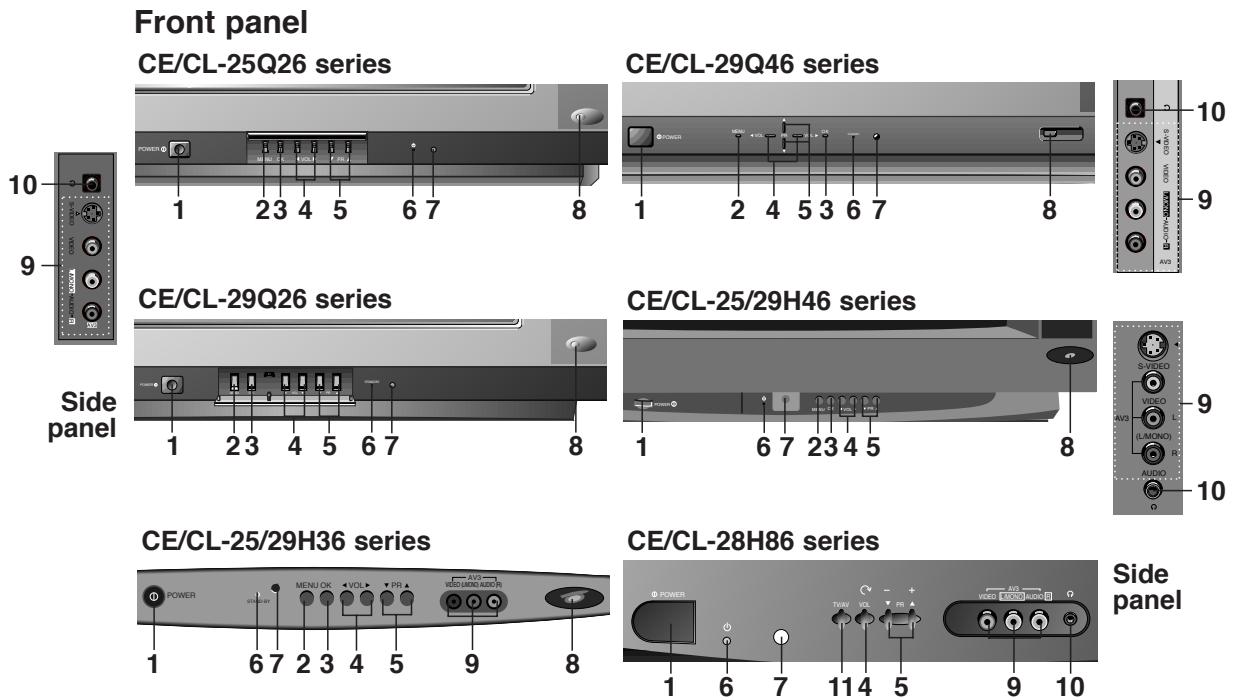
Battery installation

The remote control handset is powered by two AAA or AA type batteries. To load the batteries, turn the remote control handset over and open the battery compartment. Install two batteries as indicated by the polarity symbols (+ and -) marked inside the compartment.



(Without teletext / PIP)

Note : To avoid damage from possible battery leakage, remove the batteries if you do not plan to use the remote control handset for an extended period of time.



1. MAIN POWER

switches the set on or off.

Note : In some models, one power line lives even when the main power is off.

2. MENU (option)

selects a menu.

3. OK (option)

accepts your selection or displays the current mode.

4. ◀ / ▶ (Volume Up/Down)

adjusts the volume.
adjusts menu settings.

⌂ (Function) (option)

selects volume, Eye, picture items or brief auto programme while the menus not display.

5. ▲ / ▼ (Programme Up/Down)

selects a programme or a menu item.
switches the set on from standby.

+ / - (▲ / ▼) (option)

adjusts the function or selects a programme.
switches the set on from standby.

6. POWER/STANDBY INDICATOR

illuminates brightly when the set is in standby mode.
dims when the set is switched on.

7. REMOTE CONTROL SENSOR

8. EYE (option)

adjusts picture according to the surrounding conditions.

9. AUDIO/VIDEO IN SOCKETS (AV3)

Connect the audio/video out sockets of external equipment to these sockets.

S-VIDEO/AUDIO IN SOCKETS (S-AV) (option)

Connect the video out socket of an S-VIDEO VCR to the **S-VIDEO** socket.

Connect the audio out sockets of the S-VIDEO VCR to the audio sockets as in **AV3**.

10. HEADPHONE SOCKET (option)

Connect the headphone plug to this socket.

11. TV/AV (option)

selects TV or AV mode.

clears the menu from the screen.

switches the set on from standby.

DISASSEMBLY INSTRUCTIONS

Important note

This set is disconnected from the power supply through the converter transformer. An isolating transformer is necessary for service operations on the primary side of the converter transformer.

Back Cabinet Removal

Remove the screws residing on the back cabinet and carefully separate the back cabinet from the front cabinet. (Fig. 2-1).

CPT Removal

1. Pull out the CPT board from the CPT neck.
2. Place the front cabinet on soft material not to mar the front surface or damage control knobs.
3. Remove 4 screws securing the picture tube mounting brackets to the front cabinet.
4. Carefully separate CPT from the front cabinet.

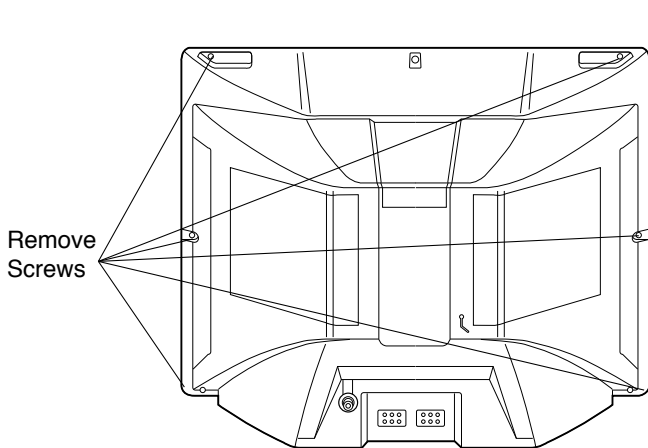


Fig. 2-1

Chassis Assy Removal

Grasp both side of Frame and pull it backward smoothly.

Speaker Assy Removal

1. Remove P1651 and P1652 connector from Main2 (Power/Def./ Sound-Amp) Board.
2. Remove respective 6 screws for speaker on the front cabinet. (Fig. 2-2).

PICTURE TUBE HANDLING CAUTION

Due to high vacuum and large surface area of picture tube, great care must be exercised when handling picture tube. Always lift picture tube by grasping it firmly around faceplate. NEVER LIFT TUBE BY ITS NECK! The picture tube must not be scratched or subjected to excessive pressure as fracture of glass may result in an implosion of considerable violence which can cause personal injury or property damage.

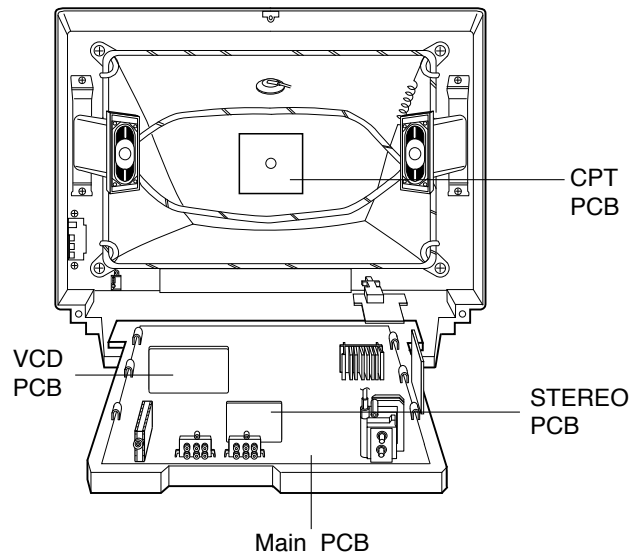


Fig. 2-2

ADJUSTMENT INSTRUCTIONS

i Safety Precautions

1. It is safe to adjust after using insulating transformer between the power supply line and chassis input to prevent the risk of electric shock and protect the instrument.
2. Never disconnect leads while the TV receiver is on.
3. Don't short any portion of circuits while power is on.
4. The adjustment must be done by the correct appliances.
5. Unless otherwise noted, set the line voltage to 230Vac ; 10%, 50Hz.
5. The adjustment of TV should be performed after warming up for 15 minutes.

i Test Equipment required

1. RF signal generator (with pattern generator)
2. DC Power Supply
3. Multimeter (volt meter)
4. Oscilloscope
5. Color analyzer

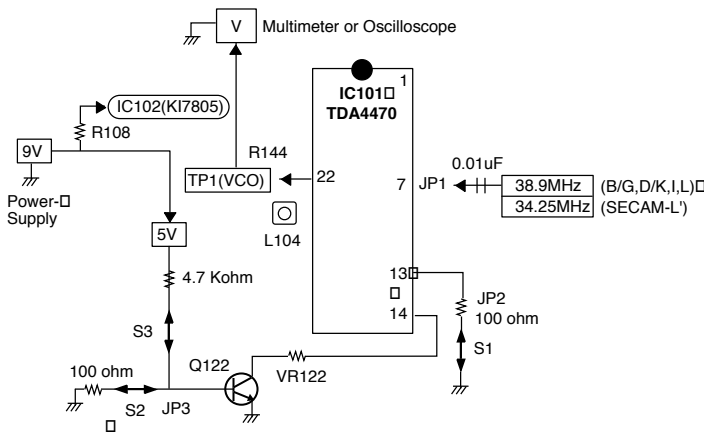


Fig. 1 : Connection Diagram of Equipment for PIF Adjustment

i PIF (Picture Intermediate Frequency) Adjustment

Test Point : TP1
Adjust : L104

- 1) Connect the measuring equipment to the Main Board as shown in Fig.1.
- 2) Set RF frequency and output level of RF SIGNAL GENERATOR as shown Table 1.
- 3) Turn off S1 and S3 and on S2.
- 4) Adjust L104 so that the DC voltage may be 2.4 ; 0.05Vdc.

System	Frequency	Modulation	Output level	Adjust
B/G,D/K/I,SECAM-L	38.9MHz	OFF	10mVp-p	L104
SECAM-L'	34.25MHz	OFF	10mVp-p	VR122

(Table 1)

i L' VCO Adjustment (For SECAM-L' MODEL)

Test Point : TP1
Adjust : VR122

- 1) Connect the measuring equipment to the Main Board as shown in Fig.1.
- 2) Set RF frequency and output level of RF SIGNAL GENERATOR as shown Table 1.
- 3) Turn on S1,S3 and off S2.
- 2) Adjust VR122 so that the DC Voltage may be 2.4 ; 0.05Vdc.

i RF AGC (Automatic Gain Control) Adjustment

Test Point : TP 2(J15)
Adjust : VR121

- 1) Input PAL-B/G 05 CH.
- 2) Connect Multimeter to TP2(J15),AGC adjustment point.
- 3) Adjust VR121 until the voltage of Multimeter becomes 2.5 ; 0.1V.

i Screen Voltage Adjustment

Test Point : CPT Face
Adjust : Screen Control of FBT

- 1) Tune the RF Modulator to receive a PAL or SECAM signal.
- 2) Press MIX button on remote controller for Service to get into the Screen Adjust Mode.
- 3) Adhere the Color Analyzer on the White window of CPT face.
- 4) Adjust Screen Volume of FBT so that the luminance of White window is 12 ; 1 FL.

i Focus Adjustment

Test Point : Observing Display
Adjust : Focus control of FBT

- 1) Tune the TV set to receive a digital pattern.
- 2) Adjust the upper Focus volume of FBT for the best focus of vertical line B.
- 3) Adjust the lower Focus volume of FBT for the best focus of area A.
- 4) Repeat above step 2) and 3) for the best overall focus.

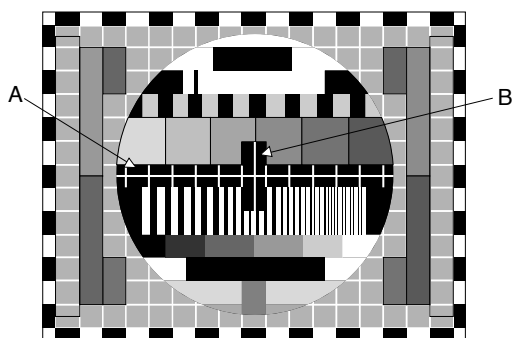


Fig. 2

i Deflection Data Adjustment (Line SVC-2)

NOTE : How to enter into the Line Service Mode with a remocon.

- 1.Power off.
- 2.Press the Red button.
- 3.Press the Green button.
- 4.Press the Yellow button.
- 5.Press the Cyan button.
- 6.Press the OK button.
- 7.Power On.

1. Preparation for Deflection Adjustment

- 1) At SVC mode, press the Yellow colored button the SVC remocon.
And then,deflection data adjustment OSD(SVC2 mode) will be displayed.
- 2) Press Channel UP/DOWN button for desirous function Adjustment.
- 3) Press Volume UP/DOWN button to adjust the data.
- 4) Tune the TV set to receive a PAL B/G Digital pattern.

VL (Vertical Linearity)

Adjust so that the boundary line between upper and lower half is in accord with geometric horizontal center of the CPT.

VA (Vertical Amplitude)

Adjust so that the circle of a digital circle pattern may be located within the effective screen of the CPT.

SC (Vertical "S" Correction)

Adjust so that all distance between each horizontal lines are to be the same.

VS (Vertical Shift)

Adjust so that the horizontal center line of a digital circle pattern is in accord with geometric horizontal center of the CPT.

HS (Horizontal Shift)

Adjust so that the vertical center line of a digital circle pattern is in accord with geometric vertical center of the CPT.

EW (Horizontal Width)

Adjust to that a digital circle pattern looks like exact circle.

EP (East-west Parabolar)

Adjust so that middle portion of the outermost left and right vertical line looks like parallel with vertical lines of the CPT.

EC (East-west Coner)

Adjust so that the vertical line at every 4 corners of the screen looks like parallel with the vertical lines of the CPT.

ET (East-west Trapezium)

Adjust to make the length of top horizontal line same with it of the bottom horizontal line.

POP (POP Position)

Adjust until the distance between POP and main picture becomes about 1mm.

Menu	Range	29" Flat	29" S-Flat
VS	0600H~0900H	07D2	
VA	0050H~00CFH	0095	
VL	0025H~00BFH	0001	
SC	0000H~009FH	00D9	
HS	0000H~003FH	001E	
EW	0400H~0EFFH	0A9D	
ET	0700H~08FFH	07FF	
EP	06E0H~0840H	0787	
ES	06A0H~0AFFH	0815	
EC	0790H~08E0H	0850	
POP P	0790H~08E0H	000B	

(Table 2)

i White Balance Adjustment.(LINE SVC 1)

NOTE : This adjustment should be performed after screen voltage adjustment.

- 1) Tune the TV set to receive an 100% white pattern.
- 2) Press the Yellow button on remote controller in the SVC Mode.
- 3) Press PSM (RED) button on remote controller. (Standard picture)
- 4) Press PR+ or PR- button for desirous function adjustment.
- 5) Adjust Low Light status of CR and CB with VOL+ or VOL- at CG:50 until X=268; 8, Y=273; 8.
- 6) Adjust High Light status of RG and BGB with VOL+ or VOL- at CG:370 until X=268; 8, Y=273; 8.
- 7) Repeat above step 5) and 6) until each status of High Light and Low Light for X=288; 8, Y=295; 8 with color analyzer(color temperature 9000°K).

Menu	Range	DATA
CR	0 ~ 511	50
CG	0 ~ 511	50
CB	0 ~ 511	50
RG	0 ~ 511	370
GG	0 ~ 511	370
BG	0 ~ 511	370

(Table 3)

i **SVC Data & PSM,SSM Data.**

Table 1. ABL Data (LINE SVC-3)

Menu	Range	29" Flat	29" S-Flat
DVCO			
IBRM	0~1FFH	00C8	
WDRM	0~3FFH	0190	
BCLTH	0~7FFH	0065	
BCLTM	0~1FFH	000B	
BCLGA	0~1FFH	0007	
SVGA		0008	
SVDEL		0005	
SVD1		0003	
LDLY		0001	
HBST	0~01FF	00F0	
HBSO	0~01FF	0158	

Table 2. SOUND PRE-SCALER (LINE SVC-4)

Menu	Range	DATA
FP	0~127	0011
NP	0~127	0045
SP	0~127	001E
S1 VOL	0~127	0042
S2 VOL	0~127	0042

Table 3. PSM Data

Mode	STANDARD	DYNAMIC	MILD	GAME
CONTRAST	90	100	60	50
BRIGHT	50	55	60	60
COLOR	50	60	40	40
SHARPNESS	50	60	40	30

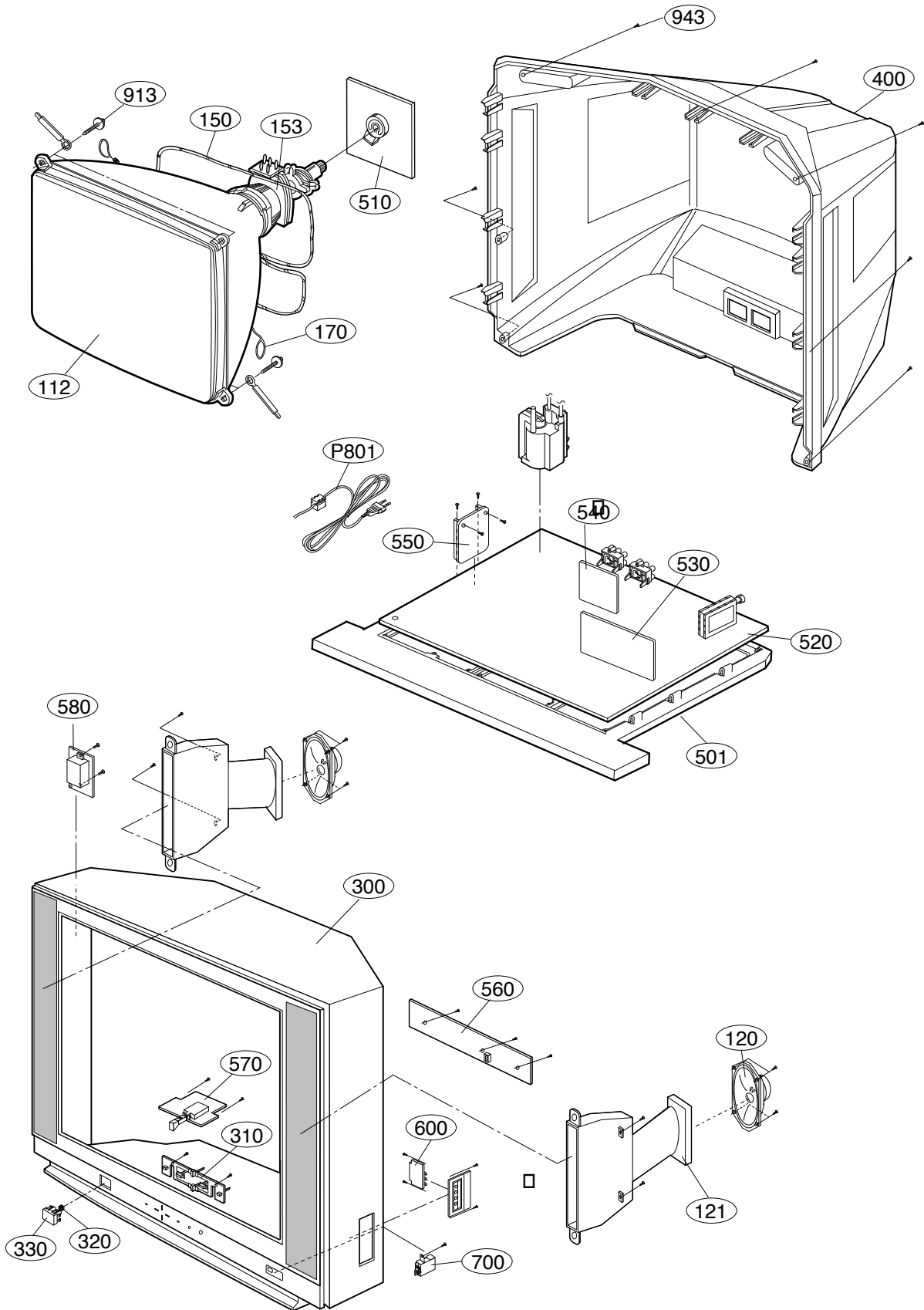
i **OPTION Adjustment (LINE-SERVICE OPTION)**

Table 4. OPTION Function

Menu	OPTION	1	0
Option 1	GAME	GAME	X
	TEXT	TEXT	X
	TOP	TOP	X
	ACMS		Australia Only
	CH+AU	China,Australia	
	EYE	EYE	X
	TURBO	Turbo Search	X
	SCART	SCART	X
Option 2	A2 ST	STEREO	X
	I II SV	I/II	X
	MONO	MONO	X
	VOL	Middle East Africa,India VOL.	Normal VOL.
	H-PH	H/Phone	
	DGS	Degaussing	X
	TILT	TILT	
	200PRO	China Only	X
Option 3	AV2	Back:JACK(2EA)	Back:JACK(1EA)
	HOTEL	HOTEL	X
	KEY		
	SYS		
	M-VOL		
Option 4	OSD		
	T-LAN		

MEMO

EXPLODED VIEW



EXPLODED VIEW PARTS LIST

The components identified by mark Δ is critical for safety.
Replace only with part number specified.

LOCA. NO	PART NO	DESCRIPTIONS
Δ 112	112-C20X	CPT SET A68QCP891X733 W/ITC
	6341V29006A	CPT ASSY
120	6400VA0033A	SPEAKER,F1562C-6229
121	3110V00073A	CASE,SPEAKER
Δ 150	150-201Z	COIL,DEGAUSSING CU 29" 60TURN 8.7 OHM
Δ 153	6150Z-1240A	DY,DC29SLFL1
Δ 170	170-844K	CPT EARTH 29" 98T 4LUG
300	3091V00324B	CABINET ASSY
310	5020V00394C	BUTTON,CONTROL
320	320-062E	SPRING,KNOB
330	5020V00391B	BUTTON,POWER
400	3809V00242F	BACK COVER ASSY(2-SCART/PHONE)
501	3210V00083A	FRAME,MAIN
510	6871VSM590A	PWB ASSY,CPT MC007A FLAT 29" STV5109
520	6871VMM612X	PWB ASSY,MAIN 007A CE-29Q46ET(W/ST)
	6871VMM612V	PWB ASSY,MAIN 007A CE- 29Q46ET(W/O ST-BY)
	6871VMM753A	PWB ASSY,MAIN 007A CL-29Q46ET
530	6871VSM711A	PWB ASSY,VCD 007A W/O PIP,W/(SVHS,SVM)
540	6871VSM589A	PWB ASSY,RF ST. W/ H_PHONE
550	6871VSM883A	PWB ASSY,D-FOCUS F-CKD
560	6871VSM867A	PWB ASSY,Q46 CONTROL
570	6871VSM869A	PWB ASSY,Q46 POWER
580	6871VSM842A	PWB ASSY,CURRENT HARMONICS STANDARD
600	6871VSM868A	PWB ASSY,Q46 SIDE AV
700	0IGL120104A	IC,CDS SENSOR MODULE(P1201-04)
913	332-229H	SCREW ASSY HEXAGON HEAD (L:40,D:18)
943	1PTF0403116	SCREW,TAP TITE(P) D4.0 L16.0
Δ P801	174-009V	CORD,POWER(W/HOLD,HOUSING)L=400,4.0
	174-224G	POWER,CORD

The components identified by mark Δ are critical for safety. Replace only with part number specified.

REPLACEMENT PARTS LIST

LOCA. NO	PART NO	DESCRIPTION	LOCA. NO	PART NO	DESCRIPTION
IC					
HIC181	0IZZVF0016A	IC TILT 7P,SIP BK .	D803	0DD100009AM	DIODE,RECTIFIER EU1ZV(1) TP
ICV01	0IIT312000A	IC,VDP3120B 64P SDIP BK VCD IC (5	D804	0DD414809ED	DIODE,1N4148 TA
ICN01	0IIT341000J	IC,MSP3410D-C5 52P SDIP BK MULTI	D850	0ISK100300A	IC,SLA1003 SIP12 BK DIODE MODULE(
IC01	0ICTMIH001B	IC,SDA5555-A030	D851	0DD060009AC	DIODE,TVR06J 0.6A/600V 250NS
IC02	0IAL241610B	IC,AT24C16-10PC-2.7 8PIN DIP ST E	D852	0DD060009AC	DIODE,TVR06J 0.6A/600V 250NS
ICV02	0IFA754207A	IC,KA75420ZTA(KA7542ZTA) 3P,TO-92	D853	0DD060009AC	DIODE,TVR06J 0.6A/600V 250NS
ICN02	0ISG282200A	IC,TDA2822M 8D DUAL AUDIO AMP(1W)	D854	0DD060009AC	DIODE,TVR06J 0.6A/600V 250NS
IC03	0IFA752700A	IC,KA75270Z 3 TP RE-SET IC MC-007	D855	0DD060009AC	DIODE,TVR06J 0.6A/600V 250NS
ICN03	0IKE780500Q	IC,KIA7805API 3P TO-220 ST REGULA	D856	0DD414809ED	DIODE,1N4148 TA
IC04	0ISG111733B	IC,LD1117V33C 3SIP ST REGULATOR	D857	0DD414809ED	DIODE,1N4148 TA
ICN04	0ISA701600A	IC,LA7016 8S ANALOG S/W	D859	0DD420000BB	DIODE,D4L20U
ICN05	0IFA753307A	IC,KA75330ZTA(KA7533ZTA) 3P,TO-92	D861	0DR060009AA	DIODE,RECTIFIER TVR06J TP
ICV101	0ISO204000A	IC,CXA2040AQ 32P,QFP BK IIC BUS V	D863	0DD414809ED	DIODE,1N4148 TA
IC101	0ITF447000A	IC,TDA4470M 28P,SDIP BK VIF+SIF	D864	0DD414809ED	DIODE,1N4148 TA
IC102	0IKE780500Q	IC,KIA7805API 3P TO-220 ST REGULA	D865	0DD414809ED	DIODE,1N4148 TA
IC181	0IZZVF0016A	IC TILT 7P,SIP BK .	D901	0DD414809ED	DIODE,1N4148 TA
IC301	0ISA784500A	IC,LA7845 7SIP V/OUT(1.5A)	D902	0DD414809ED	DIODE,1N4148 TA
IC302	0IKE455800E	IC,KIA4558 8DIP DUAL OP AMP	D903	0DD414809ED	DIODE,1N4148 TA
IC601	0ISA428200A	IC,LA4282 12S 2CHX10W AUDIO AMP	D904	0DR140049AC	DIODE,IN4004A
IC801	0ISK665613B	IC,STR-F6656(LF1352) 5P,SIP BK ST	D905	0DD414809ED	DIODE,1N4148 TA
Δ IC802	0IL1817000G	IC,LTV817M-VB 4P,DIP BK PHOTO * W/O ST-BY	D906	0DD414809ED	DIODE,1N4148 TA
IC803	0IL1817000G	IC,LTV817M-VB 4P,DIP BK PHOTO COU	D907	0DD414809ED	DIODE,1N4148 TA
IC851	0IKE780500Q	IC,KIA7805API 3P TO-220 ST REGULA	D908	0DD060009AC	DIODE,TVR06J 0.6A/600V 250NS
IC853	0ISH092100B	IC,PQ09RD21 4SIP ST REGULATOR	D909	0DD060009AC	DIODE,TVR06J 0.6A/600V 250NS
IC855	0ISS278050A	IC,KA278R05 4P,TO-220F BK LOW DRO	D910	0DD060009AC	DIODE,TVR06J 0.6A/600V 250NS
IC856	0ISK130000A	IC,SE130N 3P 130V	D951	0DD414809ED	DIODE,1N4148 TA
"	0ISK115000A	IC,SE115N 3P 115V	D952	0DD414809ED	DIODE,1N4148 TA
IC901	0ISG510900A	IC,STV5109 15SIP ST RGB DRIVE	D953	0DD414809ED	DIODE,1N4148 TA
Q07	0IFA270000A	IC,2N7000TA TO-92, 3P TP LEVEL SH	D954	0DD414809ED	DIODE,1N4148 TA
Q08	0IFA270000A	IC,2N7000TA TO-92, 3P TP LEVEL SH	D955	0DD414809ED	DIODE,1N4148 TA
DIODE					
D01	0DD414809ED	DIODE,1N4148 TA	D956	0DD414809ED	DIODE,1N4148 TA
D02	0DD414809ED	DIODE,1N4148 TA	D957	0DD414809ED	DIODE,1N4148 TA
D03	0DD414809ED	DIODE,1N4148 TA	D958	0DD414809ED	DIODE,1N4148 TA
D04	0DD414809ED	DIODE,1N4148 TA	D960	0DD414809ED	DIODE,1N4148 TA
D101	0DD414809ED	DIODE,1N4148 TA	D961	0DD150009CA	DIODE,RECTIFIER RGP15J,TP(52MM),GI
D124	0DD859009AA	DIODE,SILICON MA859 * CL-	D962	0DD150009CA	DIODE,RECTIFIER RGP15J,TP(52MM),GI
D301	0DD150009CE	DIODE,RECTIFIER GP15J TP(1.5A/600V)	D963	0DD414809ED	DIODE,1N4148 TA
D302	0DS113379BA	DIODE,SWITCHING 1SS133	DB801	0DD560000AA	DIODE,RECTIFIER D5SB60 BRIDGE(5A/600V)
D401	0DD410000AC	DIODE,RECTIFIER RU4DS,LF-L1	DV01	0DD414809ED	DIODE,1N4148 TA
D402	0DD410000AD	DIODE,RECTIFIER RU4AM,LF-L1	DV02	0DD414809ED	DIODE,1N4148 TA
D403	0DD150009CA	DIODE,RECTIFIER RGP15J,TP(52MM)	DV03	0DD414809ED	DIODE,1N4148 TA
D404	0DR150009AB	DIODE,RECTIFIER RGP15G TP	LD1101	0DL100000AE	LED,SA5711(DL-1LO) BK AMBER -
D405	0DR150009AB	DIODE,RECTIFIER RGP15G TP	ZD01	0DZ360009BC	DIODE,ZENER MTZJ3.6B TP ROHM-K DO34 0.5W
D407	0DD414809ED	DIODE,1N4148 TA	ZDN01	0DZ820009AH	DIODE,ZENER MTZJ8.2B TP ROHM-K DO34
D408	0DD100009AE	DIODE,RECTIFIER RU1A V(1) TP	ZD101	0DZ330009BA	DIODE,ZENER HZT33(TP) HITACHI
D412	0DD414809ED	DIODE,1N4148 TA	ZD201	0DZ330009CC	DIODE,ZENER MTZJ3.3B TP ROHM-K DO34 500MW
D601	0DD414809ED	DIODE,1N4148 TA	ZD202	0DZ680009BB	DIODE,ZENER MTZJ6.8B TP ROHM-K DO34 0.5W
D602	0DD414809ED	DIODE,1N4148 TA	ZD203	0DZ680009BB	DIODE,ZENER MTZJ6.8B TP ROHM-K DO34 0.5W
D802	0DR060009AA	DIODE,RECTIFIER TVR06J TP	ZD301	0DZ180009BE	DIODE,ZENER GDZJ18B TP GRANDE DO34 0.5W
			ZD302	0DZ560009AH	DIODE,ZENER GDZJ5.6B TP GRANDE DO34 0.5W
			ZD303	0DZ180009BE	DIODE,ZENER GDZJ18B TP GRANDE DO34 0.5W
			ZD401	0DZ510009AB	DIODE,ZENER MTZ5.1B TP ROHM-K
			ZD402	0DZ510009AB	DIODE,ZENER MTZ5.1B TP ROHM-K

For Capacitor & Resistors, the characters at 2nd and 3rd digit in the P/No. means as follows;

CC, CX, CK, CN : Ceramic
CQ : Polyester
CE : Electrolytic

RD : Carbon Film
RS : Metal Oxide Film
RN : Metal Film
RF : Fusible

The components identified by mark Δ are critical for safety. Replace only with part number specified.

LOCA. NO	PART NO	DESCRIPTION
ZD851	0DZ510009AB	DIODE,ZENER MTZ5.1B TP ROHM-K
TRANSISTOR		
Q02	0TR945009AA	TR,KSC945C-Y TP SAMSUNG
Q03	0TR102009AB	TR,KRC102M,TP(KRC1202),KEC
Q04	0TR945009AA	TR,KSC945C-Y TP SAMSUNG
Q05	0TR102009AB	TR,KRC102M,TP(KRC1202),KEC
Q101	0TR102009AB	TR,KRC102M,TP(KRC1202),KEC * CL-
Q102	0TR102009AB	TR,KRC102M,TP(KRC1202),KEC * CL-
Q103	0TR103009AD	TR,KRC103M * CL-
Q122	0TR945009AA	TR,KSC945C-Y TP SAMSUNG * CL-
Q123	0TR733009AA	TR,KSA733C-Y TP SAMSUNG TO-92
Q125	0TR319709AB	TR,KTC3197,TP(KTC388A),KEC
Q126	0TR945009AA	TR,KSC945C-Y TP SAMSUNG
Q127	0TR945009AA	TR,KSC945C-Y TP SAMSUNG * CL-
Q201	0TR733009AA	TR,KSA733C-Y TP SAMSUNG TO-92
Q221	0TR733009AA	TR,KSA733C-Y TP SAMSUNG TO-92
Q301	0TR945009AA	TR,KSC945C-Y TP SAMSUNG
Q302	0TR205900AB	TR,KTD2059-Y TO-220IS KEC
Q303	0TR127409AB	TR,KTA1274-Y TO-92L TP KEC
Q401	0TR258100AA	TR,2SD2581 BK SANYO TO3P -
Q402	0TR223800AA	TR,KTC2238A-Y
Q601	0TR733009AA	TR,KSA733C-Y TP SAMSUNG TO-92
Q851	0TR945009AA	TR,KSC945C-Y TP SAMSUNG
Q852	0TR322709AA	TR,KTC3227-Y,TP(KTC1627A),KEC
Q853	0TR945009AA	TR,KSC945C-Y TP SAMSUNG
Q854	0TR102009AB	TR,KRC102M,TP(KRC1202),KEC * W/O ST-BY
Q855	0TR102409AB	TR,KTA1024-Y
Q856	0TR945009AA	TR,KSC945C-Y
Q857	0TR320209AA	TR,KTC3202-TP-Y (KTC1959)KEC
Q901	0TR126609AA	TR,KTA1266-TP-Y (KTA1015) KEC
Q951	0TR320209AA	TR,KTC3202-TP-Y (KTC1959)KEC
Q952	0TR320209AA	TR,KTC3202-TP-Y (KTC1959)KEC
Q953	0TR320209AA	TR,KTC3202-TP-Y (KTC1959)KEC
Q954	0TR127009AA	TR,KTA1270-TP-Y (KTA562TM)KEC
Q955	0TR320209AA	TR,KTC3202-TP-Y (KTC1959)KEC
Q956	0TR320209AA	TR,KTC3202-TP-Y (KTC1959)KEC
Q957	0TR127009AA	TR,KTA1270-TP-Y (KTA562TM)KEC
Q958	0TR165900AC	TR,KTA1659A-Y TO-220IS BK KEC - -
Q959	0TR437000BA	TR,KTC4370A-Y TO-220IS KEC
Q1101	0TR733009AA	TR,KSA733C-Y TP SAMSUNG TO-92
QN01	0TR150400BA	TR,CHIP 2SA1504S(ASY) KEC
QN02	0TR150400BA	TR,CHIP 2SA1504S(ASY) KEC
QV01	0TR387500AA	TR,CHIP 2SC3875S(ALY) KEC
QV02	0TR387500AA	TR,CHIP 2SC3875S(ALY) KEC
QV03	0TR387500AA	TR,CHIP 2SC3875S(ALY) KEC
QV04	0TR387500AA	TR,CHIP 2SC3875S(ALY) KEC
QV05	0TR387500AA	TR,CHIP 2SC3875S(ALY) KEC
QV06	0TR150400BA	TR,CHIP 2SA1504S(ASY) KEC
QV07	0TR387500AA	TR,CHIP 2SC3875S(ALY) KEC
QV08	0TR387500AA	TR,CHIP 2SC3875S(ALY) KEC
QV09	0TR150400BA	TR,CHIP 2SA1504S(ASY) KEC

LOCA. NO	PART NO	DESCRIPTION
QV10	0TR387500AA	TR,CHIP 2SC3875S(ALY) KEC
QV11	0TR387500AA	TR,CHIP 2SC3875S(ALY) KEC
QV12	0TR150400BA	TR,CHIP 2SA1504S(ASY) KEC
QV13	0TR387500AA	TR,CHIP 2SC3875S(ALY) KEC
QV14	0TR387500AA	TR,CHIP 2SC3875S(ALY) KEC
QV15	0TR150400BA	TR,CHIP 2SA1504S(ASY) KEC
QV106	0TR387500AA	TR,CHIP 2SC3875S(ALY) KEC
CAPACITOR		
C01	0CE476DD618	47UF STD 10V 20% FL TP 5
C02	0CN1030F679	10000P 16V M Y TA52
C03	0CX6200K409	62P 50V J SL TA52
C04	0CX6200K409	62P 50V J SL TA52
C05	0CN1030F679	10000P 16V M Y TA52
C08	0CN1030F679	10000P 16V M Y TA52
C09	0CN1030F679	10000P 16V M Y TA52
C10	0CE106DK618	10UF STD 50V M FL TP5
C11	0CE106DK618	10UF STD 50V M FL TP5
C12	181-007D	MPE ECQ-V1H154JL3(TR), 50V 0.1
C14	0CN1040K949	0.1M 50V Z F TA52
C17	0CN1010K519	100P 50V K B TA52
C18	0CE476DF618	47UF STD 16V M FL TP5
C19	0CE475DK618	4.7UF STD 50V 20% FL TP 5
C20	0CE476DD618	47UF STD 10V 20% FL TP 5
C21	0CE107DD618	100UF STD 10V M FL TP5
C22	0CN1030F679	10000P 16V M Y TA52
C24	0CE225DK618	2.2UF STD 50V 20% FL TP 5
C25	0CN1020K519	1000P 50V K B TA52
C26	0CC3300K415	33P 50V J NP0 TP
C27	0CC3300K415	33P 50V J NP0 TP
C29	0CN1030F679	10000P 16V M Y TA52
C30	0CE106DK618	10UF STD 50V M FL TP5
C31	0CE106DK618	10UF STD 50V M FL TP5
C32	0CN1030F679	10000P 16V M Y TA52
C33	0CN1030F679	10000P 16V M Y TA52
C34	0CN1030F679	10000P 16V M Y TA52
C101	0CE476DK618	47UF STD 50V M FL TP5
C103	0CN1030F679	10000P 16V M Y TA52
C104	0CE227DD618	220UF STD 10V M FL TP5
C105	0CX3300K409	33P 50V J SL TA52
C106	0CX3300K409	33P 50V J SL TA52
C108	0CE106DF618	10UF STD 16V M FL TP5
C109	0CE335DK618	3.3UF STD 50V 20% FL * CE-
"	0CE475DK618	4.7UF STD 50V 20% FL * CL-
C110	0CN1040K949	0.1M 50V Z F TA52
C111	0CE227DF618	220UF STD 16V M * CL-
C112	0CN1020K519	1000P 50V K B TA52
C113	0CE476DD618	47UF STD 10V 20% FL TP 5
C114	0CN1030F679	10000P 16V M Y TA52 * CL-
C115	0CN1030F679	10000P 16V M Y TA52
C121	0CN1030F679	10000P 16V M Y TA52
C122	0CN1030F679	10000P 16V M Y TA52

The components identified by mark Δ are critical for safety. Replace only with part number specified.

For Capacitor & Resistors, the characters at 2nd and 3rd digit in the P/No. means as follows;
 CC, CX, CK, CN : Ceramic
 CQ : Polyester
 CE : Electrolytic
 RD : Carbon Film
 RS : Metal Oxide Film
 RN : Metal Film
 RF : Fusible

LOCA. NO	PART NO	DESCRIPTION
C123	0CN1030F679	10000P 16V M Y TA52 * CL-
C124	0CN1030F679	10000P 16V M Y TA52 * CL-
C125	0CN1040K949	0.1M 50V Z F TA52
C126	0CN1030F679	10000P 16V M Y TA52
C127	181-007H	MPE ECQ-V1H474JL3(TR), 50V 0.4
C128	0CE106DF618	10UF STD 16V M FL TP5
C129	0CN1030F679	10000P 16V M Y TA52
C130	0CSZVTA001F	TAP684K035BRS(AMMO)35V 0.68UFK
"	0CSZVTA001G	2.2UF 25V K * CL-
C131	0CN1030F679	10000P 16V M Y TA52
C132	0CN1030F679	10000P 16V M Y TA52
C134	0CE476DD618	47UF STD 10V 20% FL TP 5
C135	0CN1040K949	0.1M 50V Z F TA52
C136	0CE226DF618	22UF STD 16V M FL TP5
C137	181-007H	MPE ECQ-V1H474JL3(TR), 50V 0.4
C138	0CN1040K949	0.1M 50V Z F TA52
C139	0CE104DK618	0.1000UF STD 50V M FL TP5
C140	0CN1030F679	10000P 16V M Y TA52
C141	0CE107DD618	100UF STD 10V M FL TP5
C142	0CQ3331N509	0.033U 100V K * CL-
C145	0CN1030F679	10000P 16V M Y TA52
C147	0CX4700K409	47P 50V J SL TA52
C148	0CX4700K409	47P 50V J SL TA52
C149	0CE106DF618	10UF STD 16V M FL TP5
C181	0CN1030F679	10000P 16V M Y TA52
C182	0CE476DF618	47UF STD 16V M FL TP5
C183	0CE227DF618	220UF STD 16V M FL TP5
C184	0CQ1041N509	0.1U 100V K POLY TP
C185	0CC3900K415	39P 50V J NPO TP
C186	0CC3900K415	39P 50V J NPO TP
C201	0CE227DF618	220UF STD 16V M FL TP5
C202	0CN1010K519	100P 50V K B TA52
C203	0CN4710K519	470P 50V K B TA52
C204	0CN4710K519	470P 50V K B TA52
C205	0CN1010K519	100P 50V K B TA52
C206	0CN4710K519	470P 50V K B TA52
C207	0CN4710K519	470P 50V K B TA52
C208	0CE226DF618	22UF STD 16V M FL TP5
C209	0CE226DF618	22UF STD 16V M FL TP5
C221	0CE476DF618	47UF STD 16V M FL TP5
C222	0CE227DF618	220UF STD 16V M FL TP5
C223	0CN1010K519	100P 50V K B TA52
C224	0CN4710K519	470P 50V K B TA52
C225	0CN4710K519	470P 50V K B TA52
C226	0CN1010K519	100P 50V K B TA52
C227	0CN4710K519	470P 50V K B TA52
C228	0CN4710K519	470P 50V K B TA52
C229	0CE226DF618	22UF STD 16V M FL TP5
C230	0CE226DF618	22UF STD 16V M FL TP5
C244	0CN1010K519	100P 50V K B TA52
C245	0CN1010K519	100P 50V K B TA52
C249	0CN1030F679	10000P 16V M Y TA52

LOCA. NO	PART NO	DESCRIPTION
C302	0CQ3341N401	0.33U 100V J POLY
C303	0CE107BK618	100UF KME 50V M FL TP5
C304	0CQ6821N509	0.0068U 100V K POLY
C305	0CQ1021N509	0.001U 100V K POLY
C306	0CQ3931N509	0.0390UF 100V K PE TP
C307	0CQ1031N509	0.01U 100V K POLY
C308	0CE476DJ618	47UF STD 35V M FL TP5
C308	0CE476DJ618	47UF STD 35V M FL TP5
C309	0CN4710K519	470P 50V K B TA52
C310	0CQ1031N509	0.01U 100V K POLY
C311	0CQ1031N509	0.01U 100V K POLY
C401	0CE474DK618	0.4700UF STD 50V M FL T
C402	0CE475DK618	4.7UF STD 50V 20% FL TP
C403	0CK2220W515	2200P 500V K B TS
C405	181-015N	MPP 1600V 0.015UF H
C406	181-091G	DE0907-486 R 471K 2KV
C407	181-010T	PP 630V 0.015UF J
C408	0CE685BK652	6.8UF KME TYPE 50V 20%
C409	0CK2220W515	2200P 500V K B TS
C410	0CE106BR618	10UF KME 250V M FL TP5
C411	181-013S	MPP 400V 0.62UF J
C412	0CK6810W515	680P 500V K B
C413	0CE107DJ618	100UF STD 35V M FL TP5
C414	181-091P	1KV SL 271J TP5
C415	0CE108BH618	1000UF KME 25V M FL TP5
C416	181-009R	PP 200V 0.022UF K
C417	0CK2710W515	270P 500V K B
C419	0CE108DH618	1000UF STD 25V M FL TP5
C420	181-010B	PP 400V 0.056UF J
C421	0CK2710W515	270P 500V K B
C422	0CE106DR618	10UF STD 250V M FL TP5
C517	0CQ1531N509	0.015U 100V K POLY
C518	0CQ1531N509	0.015U 100V K POLY
C519	0CQ1531N509	0.015U 100V K POLY
C520	0CN1030F679	10000P 16V M Y TA52
C601	0CE107DH618	100UF STD 25V M FL TP5
C602	0CE684DK618	0.68UF STD 50V 20% FL T
C603	0CQ5621N509	0.0056U 100V K POLY
C604	0CE107DH618	100UF STD 25V M FL TP5
C605	0CE684DK618	0.68UF STD 50V 20% FL T
C606	0CQ5621N509	0.0056U 100V K POLY
C607	0CE107DH618	100UF STD 25V M FL TP5
C608	0CQ1041N509	0.1U 100V K POLY
C609	0CE477DJ618	470UF STD 35V 20% FL TP
C610	0CQ1041N509	0.1U 100V K POLY
C611	0CE477DJ618	470UF STD 35V 20% FL TP
C612	0CN1040K949	0.1M 50V Z F TA52
C613	0CE477DK618	470UF STD 50V 20% FL TP
C614	0CE477DH618	470UF STD 25V M FL TP5
C802	0CQZVBK002C	A.C 275V 0.22UF K (S=22
C803	181-091G	DE0907-486 R 471K 2KV
C804	0CE337KV6A0	330UF SLT 450V M VNSN B

For Capacitor & Resistors, the characters at 2nd and 3rd digit in the P/No. means as follows;

CC, CX, CK, CN : Ceramic
CQ : Polyester
CE : Electrolytic

RD : Carbon Film
RS : Metal Oxide Film
RN : Metal Film
RF : Fusible

The components identified by mark Δ are critical for safety.
Replace only with part number specified.

LOCA. NO	PART NO	DESCRIPTION	LOCA. NO	PART NO	DESCRIPTION
C806	181-011C	PP 1600V 0.0015UF J	C960	0CK4720W510	4700P 500V K B S
C807	181-091G	DE0907-486 R 471K 2KV	C961	0CN1010K519	100P 50V K B TA52
C808	0CE107BJ618	100UF KME 35V M FL TP5	C962	0CK4720W510	4700P 500V K B S
C809	0CK1020K515	1000P 50V K B	C963	0CE107DF618	100UF STD 16V M FL TP5
Δ C811	181-120K	2200PF 4KV M E FMTW LEA	C964	0CE107DF618	100UF STD 16V M FL TP5
C813	0CK10201515	1000P 1KV K B TS	C965	0CE106DP618	10UF STD 160V M FL TP5
C814	0CQZVBK002A	A.C 275V 0.1UF M (S=15)	C966	0CK1010W515	100P 500V K B TS
C815	181-091Q	1KV R 471K TP5	C967	0CN2210K519	220P 50V K B TA52
C817	0CK22201510	2200P 1KV K B S	C1101	0CE107DD618	100UF STD 10V M FL TP5
C851	0CK1020W515	1000P 500V K B	C1201	0CN4710K519	470P 50V K B TA52
C852	0CK1020W515	1000P 500V K B	C1204	0CN4710K519	470P 50V K B TA52
C853	0CE477DF618	470UF STD 16V 20% FL TP	C1205	0CE475DK618	4.7UF STD 50V 20% FL TP 5
C854	0CE107DF618	100UF STD 16V M FL TP5	C1206	0CN1040K949	0.1M 50V Z F TA52
C855	0CE107DD618	100UF STD 10V M FL TP5	C1210	0CN2210K519	220P 50V K B TA52
C856	0CK47101515	470P 1KV K B TS	C1211	0CN2210K519	220P 50V K B TA52
C857	0CE228DF618	2200UF STD 16V M FL TP5	C1212	0CN1030F679	10000P 16V M Y TA52
C858	0CE477DF618	470UF STD 16V 20% FL TP	C1213	0CE476DD618	47UF STD 10V 20% FL TP 5
C859	0CK47101515	470P 1KV K B TS	C1401	0CQ5631N409	0.0560UF 100V J PE TP
C860	0CE108BF618	1000UF KME 16V M FL TP5	C1403	0CQ1531N509	0.015U 100V K POLY TP
C861	0CE108BF618	1000UF KME 16V M FL TP5	CN05	0CE107DF618	100UF STD 16V M FL TP5
C862	0CE475CK636	4.7UF SHL,SD 50V 20% FM	CN07	0CE335DK618	3.3UF STD 50V 20% FL TP 5
C863	181-091Q	1KV R 471K TP5	CN10	0CK224DF56A	220000PF 2012 16V 10% R/TP X7R
C864	0CE108DK61A	1000UF STD 50V M FL TP7	CN11	0CK224DF56A	220000PF 2012 16V 10% R/TP X7R
C866	0CK4710W515	470PF 500V K B TR	CN12	0CK224DF56A	220000PF 2012 16V 10% R/TP X7R
C867	0CE227DK618	220UF STD 50V M FL TP5	CN13	0CK224DF56A	220000PF 2012 16V 10% R/TP X7R
C868	DCE476DF618	47UF STD 16V 20%	CN16	0CE106DF618	10UF STD 16V M FL TP5
C870	181-091D	DE0905-979 R 102K 1KV	CN19	0CE107DF618	100UF STD 16V M FL TP5
C871	0CE227DP650	220UF STD 160V M FM7.5	CN20	0CE107DF618	100UF STD 16V M FL TP5
C872	0CE107CP618	100U SHL 160V M FL TP5	CN21	0CE107DF618	100UF STD 16V M FL TP5
Δ C873	0CQ1041N509	0.1U 100V K POLY	CN23	0CE107DF618	100UF STD 16V M FL TP5
C901	0CX1500K409	15P 50V J SL TA52	CN24	0CE476DF618	47UF STD 16V M FL TP5
C902	0CX5R60K509	5.6P 50V K SL TA52	CN29	0CE106DF618	10UF STD 16V M FL TP5
C903	0CX2200K409	22P 50V J SL TA52	CN30	0CE106DF618	10UF STD 16V M FL TP5
C904	0CE107DF618	100UF STD 16V M FL TP5	CN32	0CE107DF618	100UF STD 16V M FL TP5
C905	0CN2230H949	22000P 25V Z FTA52	CN34	0CE106DF618	10UF STD 16V M FL TP5
C906	0CE476DR618	47UF STD 250V 20% FL TP	CN35	0CK224DF56A	220000PF 2012 16V 10% R/TP X7R
C907	0CQZVBK002A	A.C 275V 0.1UF M (S=15)	CN36	0CK224DF56A	220000PF 2012 16V 10% R/TP X7R
C908	0CE475DR618	4.7UF STD 250V 20% FL T	CN37	0CK224DF56A	220000PF 2012 16V 10% R/TP X7R
C909	0CK1020W515	1000P 500V K B	CN38	0CK224DF56A	220000PF 2012 16V 10% R/TP X7R
C910	0CK1020W515	1000P 500V K B	CN39	0CK224DF56A	220000PF 2012 16V 10% R/TP X7R
C911	0CK1020W515	1000P 500V K B	CN40	0CK224DF56A	220000PF 2012 16V 10% R/TP X7R
C912	0CE476DF618	47UF STD 16V M FL TP5	CN41	0CK224DF56A	220000PF 2012 16V 10% R/TP X7R
C913	0CK22202515	2200PF 2KV K B TR	CN42	0CK224DF56A	220000PF 2012 16V 10% R/TP X7R
C951	0CK1040K945	0.1UF 50V Z F TR	CN43	0CK224DF56A	220000PF 2012 16V 10% R/TP X7R
C952	0CE477DK618	470UF STD 50V 20% FL TP	CN44	0CK224DF56A	220000PF 2012 16V 10% R/TP X7R
C953	0CE106DF618	10UF STD 16V M FL TP5	CN45	0CK224DF56A	220000PF 2012 16V 10% R/TP X7R
C954	0CE106DF618	10UF STD 16V M FL TP5	CN46	0CK224DF56A	220000PF 2012 16V 10% R/TP X7R
C955	0CE106DF618	10UF STD 16V M FL TP5	CN47	0CE106DF618	10UF STD 16V M FL TP5
C956	0CSZVTA001F	TAP684K035BRS(AMMO)35V 0.68UFK	CN49	0CK224DF56A	220000PF 2012 16V 10% R/TP X7R
C957	0CSZVTA001F	TAP684K035BRS(AMMO)35V 0.68UFK	CN50	0CK224DF56A	220000PF 2012 16V 10% R/TP X7R
C958	0CE106DP618	10UF STD 160V M FL TP5	CN53	0CE106DF618	10UF STD 16V M FL TP5
C959	0CN1010K519	100P 50V K B TA52	CN54	0CX5600K409	56P 50V J SL TA52

The components identified by mark Δ are critical for safety.
Replace only with part number specified.

For Capacitor & Resistors, the characters at 2nd and 3rd digit in the P/No. means as follows;
 CC, CX, CK, CN : Ceramic
 CQ : Polyester
 CE : Electrolytic
 RD : Carbon Film
 RS : Metal Oxide Film
 RN : Metal Film
 RF : Fusible

LOCA. NO	PART NO	DESCRIPTION
CN59	0CE107DF618	100UF STD 16V M FL TP5
CV06	0CE106DF618	10UF STD 16V M FL TP5
CV10	0CE335DK618	3.3UF STD 50V 20% FL TP 5
CV11	0CQ3321N509	0.0033U 100V K POLY TP
CV12	0CQ3331N509	0.033U 100V K POLY TP
CV14	0CE106DF618	10UF STD 16V M FL TP5
CV16	0CE335DK618	3.3UF STD 50V 20% FL TP 5
CV20	0CE106DF618	10UF STD 16V M FL TP5
CV29	0CE476DF618	47UF STD 16V M FL TP5
CV31	0CE476DF618	47UF STD 16V M FL TP5
CV36	0CE107DF618	100UF STD 16V M FL TP5
CV38	0CE226DF618	22UF STD 16V M FL TP5
CV40	181-007H	MPE ECQ-V1H474JL3(TR), 50V 0.4
CV43	0CE226DF618	22UF STD 16V M FL TP5
CV140	0CE106DF618	10UF STD 16V M FL TP5
CV142	0CE106DF618	10UF STD 16V M FL TP5
CV143	0CE107DF618	100UF STD 16V M FL TP5
CV145	0CE106DF618	10UF STD 16V M FL TP5
CV146	0CE106DF618	10UF STD 16V M FL TP5
CV148	0CE106DF618	10UF STD 16V M FL TP5
CORE		
FB01	125-022K	CORE (CIRC),FERRITE 1UH TAPING
FB201	125-022K	CORE (CIRC),FERRITE 1UH TAPING
FB202	125-123A	CORE (CIRC),FERRITE BFD3565R2F
FB221	125-123A	CORE (CIRC),FERRITE BFD3565R2F
FB222	125-123A	CORE (CIRC),FERRITE BFD3565R2F
FB401	125-022K	CORE (CIRC),FERRITE 1UH TAPING
FB402	125-022K	CORE (CIRC),FERRITE 1UH TAPING
FB801	125-022K	CORE (CIRC),FERRITE 1UH TAPING
FB802	125-022K	CORE (CIRC),FERRITE 1UH TAPING
FB803	125-022K	CORE (CIRC),FERRITE 1UH TAPING
FB852	125-022K	CORE (CIRC),FERRITE 1UH TAPING
FB853	125-022K	CORE (CIRC),FERRITE 1UH TAPING
FB901	125-022K	CORE (CIRC),FERRITE 1UH TAPING
FB902	125-022K	CORE (CIRC),FERRITE 1UH TAPING
FB951	125-022K	CORE (CIRC),FERRITE 1UH TAPING
FB1201	125-022K	CORE (CIRC),FERRITE 1UH TAPING
COIL & TRANSFORMER		
J29	0LA0102K119	INDUCTOR,10UH K
J51	0LA0182K119	INDUCTOR,18UH K
L01	0LA1000K119	INDUCTOR,100UH K
L02	0LA0102K119	INDUCTOR,10UH K
L101	150-C01D	COIL,CHOKE 0.55UH
"	150-C01G	COIL,CHOKE 1UH * CL-
L102	0LA1000K139	INDUCTOR,100UH K
L103	0LA0102K119	INDUCTOR,10UH K
L104	150-E11G	COIL,IFT 38.9MHZ 1PF
L122	0LA0681K119	INDUCTOR,6.8UH K
L123	150-C01C	COIL,CHOKE 0.48UH
L126	0LA0102K119	INDUCTOR,10UH K

LOCA. NO	PART NO	DESCRIPTION
L181	0LA0102K119	INDUCTOR,10UH K
L201	0LA0102K119	INDUCTOR,10UH K
L202	0LA0102K119	INDUCTOR,10UH K
L203	0LA0102K119	INDUCTOR,10UH K
L204	0LA0102K119	INDUCTOR,10UH K
L221	0LA0102K119	INDUCTOR,10UH K
L222	0LA0102K119	INDUCTOR,10UH K
L223	0LA0102K119	INDUCTOR,10UH K
L224	0LA0102K119	INDUCTOR,10UH K
L245	0LA0102K119	INDUCTOR,10UH K
L246	0LA0102K119	INDUCTOR,10UH K
L401	150-717K	COIL,CHOKE 1.1UH
L402	6140VE0001J	COIL,H-LINEARITY 20UH
L853	150-C02F	COIL,CHOKE 82UH R1217
L901	0LA0102K139	INDUCTOR,10UH K
L1201	0LA0472K119	INDUCTOR,47UH K
L1202	0LA0472K119	INDUCTOR,47UH K
L1203	0LA0472K119	INDUCTOR,47UH K
L1204	0LA0472K119	INDUCTOR,47UH K
L1401	150-W01D	COIL,CHOKE 3600UH
LN01	0LA0102K119	INDUCTOR,10UH K
LN03	0LA1000K119	INDUCTOR,100UH K
LN05	0LA1000K119	INDUCTOR,100UH K
LN06	0LA0102K119	INDUCTOR,10UH K
LN07	0LA0102K119	INDUCTOR,10UH K
LN08	0LA0102K119	INDUCTOR,10UH K
LV01	0LA0102K119	INDUCTOR,10UH K
LV02	0LA0102K119	INDUCTOR,10UH K
LV03	0LA0471K119	INDUCTOR,4.7UH K
LV04	0LA0471K119	INDUCTOR,4.7UH K
LV05	0LA0471K119	INDUCTOR,4.7UH K
Δ T401	151-C02F	TRANSFORMER,H-DRIVE,EI-19,BULK
Δ T402	6174Z-5004D	FBT,FTMTC41 -5004D
"	6174Z-5004A	FBT,FTMTC41-5004A
Δ T801	6170VZ0008A	TRANSFORMER,TS4841 30500UH REACTOR
Δ T802	6170VMCB01D	TRANSFORMER,SMPS EER5345 295UH
Δ T803	151-D02G	TRANSFORMER,STAND-BY EER3541 0UH
T1401	151-E06A	TRANSFORMER,EER2834 0UH
CONNECTOR		
JW2A	387-907E	CONNECTOR ASSY,1P MXH8610 300MM
JW8A	387-907H	CONNECTOR ASSY,1P MXH8610 450MM
JW8B	387-907H	CONNECTOR ASSY,1P MXH8610 450MM
P03B	387-A09H	CONNECTOR ASSY,9P (L=450)
P05B	6631V25024E	CONNECTOR ASSY,2.5MM 11P(L=300)IL-G
P403A	387-A03F	CONNECTOR ASSY,3P (L=350)
P605B	387-B08E	CONNECTOR ASSY,8P SHIELD(300)IL-J
P901	387-B10J	CONNECTOR ASSY,10P(L=500) SHIELD
P902	387-A10H	CONNECTOR ASSY,10P (L=450)
PP802	6631V23001L	CONNECTOR ASSY,2P 300MM NYLON 10 UL

For Capacitor & Resistors,
the characters at 2nd and 3rd
digit in the P/No. means as
follows;

CC, CX, CK, CN : Ceramic
CQ : Polyester
CE : Electrolytic

RD : Carbon Film
RS : Metal Oxide Film
RN : Metal Film
RF : Fusible

The components identified by mark Δ are
critical for safety.
Replace only with part number specified.

LOCA. NO	PART NO	DESCRIPTION
RESISTOR		
F851	180-D02Y	0.045 OHM 1/2 W 10% TA52
F854	180-D02Y	0.045 OHM 1/2 W 10% TA52
F855	180-D02Y	0.045 OHM 1/2 W 10% TA52
FR401	0RF0470K607	0.47 OHM 2 W 5.00% TA62
Δ FR402	0RF0101K607	1 OHM 2 W 5.00% TA62
Δ FR403	0RF0101K607	1 OHM 2 W 5.00% TA62
FR406	0RF0101K607	1 OHM 2 W 5.00% TA62
Δ FR413	0RF0141K607	1.4 OHM 2 W 5.00% TA62
FR952	0RF1000H609	100 OHM 1/2 W 5.00% TA52
FR953	0RF0102J607	10 OHM 1 W 5.00% TA62
J70	0RS0681H609	6.8 OHM 1/2 W 5.00% TA52
JV20	0RD1800F609	180 OHM 1/6 W 5.00% TA52
JV25	0RD0102F609	10 OHM 1/6 W 5.00% TA52
JV26	0RD0102F609	10 OHM 1/6 W 5.00% TA52
L1101	0RD0472F609	47 OHM 1/6 W 5.00% TA52
R01	0RD3301F609	3.3K OHM 1/6 W 5.00% TA52
R02	0RD1000F609	100 OHM 1/6 W 5.00% TA52
R03	0RD3301F609	3.3K OHM 1/6 W 5.00% TA52
R04	0RD1000F609	100 OHM 1/6 W 5.00% TA52
R05	0RD4701F609	4.7K OHM 1/6 W 5.00% TA52
R06	0RD1000F609	100 OHM 1/6 W 5.00% TA52
R07	0RD4701F609	4.7K OHM 1/6 W 5.00% TA52
R08	0RD1000F609	100 OHM 1/6 W 5.00% TA52
R09	0RD4701F609	4.7K OHM 1/6 W 5.00% TA52
R10	0RD1000F609	100 OHM 1/6 W 5.00% TA52
R11	0RD4701F609	4.7K OHM 1/6 W 5.00% TA52
R12	0RD1000F609	100 OHM 1/6 W 5.00% TA52
R17	0RD0752F609	75 OHM 1/6 W 5.00% TA52
R18	0RD1000F609	100 OHM 1/6 W 5.00% TA52
R19	0RD2001F609	2K OHM 1/6 W 5.00% TA52
R20	0RD1000F609	100 OHM 1/6 W 5.00% TA52
R21	0RD1603F609	160K OHM 1/6 W 5.00% TA52
R22	0RD3902F609	39K OHM 1/6 W 5.00% TA52
R23	0RD1603F609	160K OHM 1/6 W 5.00% TA52
R24	0RD3902F609	39K OHM 1/6 W 5.00% TA52
R25	0RD1001F609	1K OHM 1/6 W 5.00% TA52
R26	0RD4702F609	47K OHM 1/6 W 5.00% TA52
R27	0RD1002F609	10K OHM 1/6 W 5.00% TA52
R28	0RD4701F609	4.7K OHM 1/6 W 5.00% TA52
R29	0RD0101F609	1 OHM 1/6 W 5.00% TA52
R30	0RD4701F609	4.7K OHM 1/6 W 5.00% TA52
R31	0RD4701F609	4.7K OHM 1/6 W 5.00% TA52
R32	0RD1000F609	100 OHM 1/6 W 5.00% TA52
R34	0RD1000F609	100 OHM 1/6 W 5.00% TA52
R35	0RD1001F609	1K OHM 1/6 W 5.00% TA52
R36	0RD1001F609	1K OHM 1/6 W 5.00% TA52
R37	0RD1001F609	1K OHM 1/6 W 5.00% TA52
R38	0RD4302F609	43K OHM 1/6 W 5.00% TA52
R39	0RD5101F609	5.1K OHM 1/6 W 5.00% TA52
R40	0RD1000F609	100 OHM 1/6 W 5.00% TA52

LOCA. NO	PART NO	DESCRIPTION
R41	0RD2701F609	2.7K OHM 1/6 W 5.00% TA52
R46	0RD8201F609	8.2K OHM 1/6 W 5.00% TA52
R48	0RD1000F609	100 OHM 1/6 W 5.00% TA52
R49	0RD5601F609	5.6K OHM 1/6 W 5.00% TA52
R50	0RD1000F609	100 OHM 1/6 W 5.00% TA52
R51	0RD1000F609	100 OHM 1/6 W 5.00% TA52
R52	0RD1000F609	100 OHM 1/6 W 5.00% TA52
R53	0RD1000F609	100 OHM 1/6 W 5.00% TA52
R55	0RD5600F609	560 OHM 1/6 W 5.00% TA52
R56	0RD1001F609	1K OHM 1/6 W 5.00% TA52
R57	0RD0332F609	33 OHM 1/6 W 5.00% TA52
R58	0RD0332F609	33 OHM 1/6 W 5.00% TA52
R59	0RD5601F609	5.6K OHM 1/6 W 5.00% TA52
R60	0RD5601F609	5.6K OHM 1/6 W 5.00% TA52
R61	0RD1000F609	100 OHM 1/6 W 5.00% TA52
R62	0RD1000F609	100 OHM 1/6 W 5.00% TA52
R63	0RD1000F609	100 OHM 1/6 W 5.00% TA52
R64	0RD1000F609	100 OHM 1/6 W 5.00% TA52
R65	0RD1000F609	100 OHM 1/6 W 5.00% TA52
R66	0RD1000F609	100 OHM 1/6 W 5.00% TA52
R67	0RD4701F609	4.7K OHM 1/6 W 5.00% TA52
R69	0RD4701F609	4.7K OHM 1/6 W 5.00% TA52
R70	0RD1000F609	100 OHM 1/6 W 5.00% TA52
R71	0RD1000F609	100 OHM 1/6 W 5.00% TA52
R101	0RD0332F609	33 OHM 1/6 W 5.00% TA52
R102	0RD0512F609	51 OHM 1/6 W 5.00% TA52
R103	0RD0512F609	51 OHM 1/6 W 5.00% TA52
R104	0RS5600H609	560 OHM 1/2 W 5.00% TA52
R105	0RD2202F609	22K OHM 1/6 W 5.00% TA52
R106	0RD1002F609	10K OHM 1/6 W 5.00% TA52
R107	0RD4701F609	4.7K OHM 1/6 W 5.00% * CL-
R108	0RS0102J607	10 OHM 1 W 5.00% TA62
R125	0RD1001F609	1K OHM 1/6 W 5.00% TA52 * CL-
R128	0RD4701F609	4.7K OHM 1/6 W 5.00% * CL-
R130	0RD1502F609	15K OHM 1/6 W 5.00% TA52
R132	0RD2001F609	2K OHM 1/6 W 5.00% TA52
R133	0RD1500F609	150 OHM 1/6 W 5.00% TA52
R135	0RD1001F609	1K OHM 1/6 W 5.00% TA52
R136	0RD2000F609	200 OHM 1/6 W 5.00% TA52
"	0RD0682F609	68 OHM 1/6 W 5.00% TA52 * CL-
R137	0RD0102F609	10 OHM 1/6 W 5.00% TA52
R138	0RD3601F609	3.6K OHM 1/6 W 5.00% TA52
R139	0RD6800F609	680 OHM 1/6 W 5.00% TA52
R140	0RD0102F609	10 OHM 1/6 W 5.00% TA52
R141	0RD4700F609	470 OHM 1/6 W 5.00% TA52
R142	0RD1500F609	150 OHM 1/6 W 5.00% TA52
R143	0RD1802F609	18K OHM 1/6 W 5.00% TA52
R144	0RD1001F609	1K OHM 1/6 W 5.00% TA52
R145	0RD1802F609	18K OHM 1/6 W 5.00% TA52
R146	0RD1001F609	1K OHM 1/6 W 5.00% TA52
R147	0RD7500F609	7500 OHM 1/6 W 5.00% TA52 * CL-
R148	0RD3901F609	3.9K OHM 1/6 W 5.00% TA52

The components identified by mark Δ are critical for safety. Replace only with part number specified.

For Capacitor & Resistors, the characters at 2nd and 3rd digit in the P/No. means as follows;
 CC, CX, CK, CN : Ceramic
 CQ : Polyester
 CE : Electrolytic
 RD : Carbon Film
 RS : Metal Oxide Film
 RN : Metal Film
 RF : Fusible

LOCA. NO	PART NO	DESCRIPTION
R151	0RD4701F609	4.7K OHM 1/6 W 5.00% TA52 * CL-
R152	0RD4702F609	47K OHM 1/6 W 5.00% TA52 * CL-
R153	0RD0511F609	5.1 OHM 1/6 W 5.00% TA52
R154	0RD4701F609	4.7K OHM 1/6 W 5.00% TA52 * CL-
R155	0RD2201F609	2.2K OHM 1/6 W 5.00% TA52 * CL-
R156	0RD1201F609	1.2K OHM 1/6 W 5.00% TA52
R157	0RD0222F609	22 OHM 1/6 W 5.00% TA52
R181	0RD1000F609	100 OHM 1/6 W 5.00% TA52
R201	0RD0622F609	62 OHM 1/6 W 5.00% TA52
R202	0RD4700F609	470 OHM 1/6 W 5.00% TA52
R203	0RD1800F609	180 OHM 1/6 W 5.00% TA52
R204	0RD0752F609	75 OHM 1/6 W 5.00% TA52
R205	0RD0822F609	82 OHM 1/6 W 5.00% TA52
R207	0RD0822F609	82 OHM 1/6 W 5.00% TA52
R209	0RD0822F609	82 OHM 1/6 W 5.00% TA52
R210	0RD5101F609	5.1K OHM 1/6 W 5.00% TA52
R211	0RD5101F609	5.1K OHM 1/6 W 5.00% TA52
R222	0RD0102F609	10 OHM 1/6 W 5.00% TA52
R223	0RD4700F609	470 OHM 1/6 W 5.00% TA52
R224	0RD0682F609	68 OHM 1/6 W 5.00% TA52
R226	0RD5101F609	5.1K OHM 1/6 W 5.00% TA52
R227	0RD5101F609	5.1K OHM 1/6 W 5.00% TA52
R301	0RD1000F609	100 OHM 1/6 W 5.00% TA52
R302	0RD0101H609	1 OHM 1/2 W 5.00% TA52
R303	0RD4700F609	470 OHM 1/6 W 5.00% TA52
R304	0RN2701F409	2.7K OHM 1/6 W 1.00% TA52
R305	0RD2401F609	2.4K OHM 1/6 W 5.00% TA52
R306	0RD1002F609	10K OHM 1/6 W 5.00% TA52
R307	0RD2202F609	22K OHM 1/6 W 5.00% TA52
R308	0RD2000F609	200 OHM 1/6 W 5.00% TA52
R309	0RD4701F609	4.7K OHM 1/6 W 5.00% TA52
R310	0RN8201F409	8.2K OHM 1/6 W 1.00% TA52
R311	0RN0221H609	2.2 OHM 1/2 W 5.00% TA52
R312	0RN0221H609	2.2 OHM 1/2 W 5.00% TA52
R313	0RS6800H609	680 OHM 1/2 W 5.00% TA52
R314	0RS6800H609	680 OHM 1/2 W 5.00% TA52
R315	0RD1000F609	100 OHM 1/6 W 5.00% TA52
R316	0RD2702F609	27K OHM 1/6 W 5.00% TA52
R317	0RD2001F609	2K OHM 1/6 W 5.00% TA52
R319	0RN6202F409	62K OHM 1/6 W 1.00% TA52
R320	0RN1001F409	1K OHM 1/6 W 1.00% TA52
R321	0RS0561J607	5.6 OHM 1 W 5.00% TA62
R322	0RD1501F609	1.5K OHM 1/6 W 5.00% TA52
R323	0RD3301F609	3.3K OHM 1/6 W 5.00% TA52
R324	0RD4700F609	470 OHM 1/6 W 5.00% TA52
R325	0RS2701H609	2.7K OHM 1/2 W 5.00% TA52
R326	0RS1501H609	1.5K OHM 1/2 W 5.00% TA52
R327	0RS1501H609	1.5K OHM 1/2 W 5.00% TA52
R328	0RD0392F609	39 OHM 1/6 W 5.00% TA52
R401	0RD1000F609	100 OHM 1/6 W 5.00% TA52
R402	0RD1001F609	1K OHM 1/6 W 5.00% TA52
R403	0RD1801H609	1.8K OHM 1/2 W 5.00% TA52

LOCA. NO	PART NO	DESCRIPTION
R404	0RD0332H609	33 OHM 1/2 W 5.00% TA52
R405	0RS2700K607	270 OHM 2 W 5.00% TA62
R408	0RS0221K607	2.2 OHM 2 W 5.00% TA62
R409	0RS1801H609	1.8K OHM 1/2 W 5.00% TA52
R410	0RMZVBK002C	6.8K OHM 5W +/-5%
R411	0RS4702H609	47K OHM 1/2 W 5.00% TA52
R413	0RS2002H609	20K OHM 1/2 W 5.00% TA52
R414	0RS1001H609	1K OHM 1/2 W 5.00% TA52
R415	0RD1002F609	10K OHM 1/6 W 5.00% TA52
R416	0RD1001F609	1K OHM 1/6 W 5.00% TA52
R417	0RD6203F609	620K OHM 1/6 W 5.00% TA52
R419	0RD7501H609	7.5K OHM 1/2 W 5.00% TA52
R421	0RS1803J607	180K 1W 5% TA62
R422	0RD3601F609	3.6K OHM 1/6 W 5.00% TA52
R539	0RD5100F609	510 OHM 1/6 W 5.00% TA52
R540	0RD5100F609	510 OHM 1/6 W 5.00% TA52
R541	0RD5100F609	510 OHM 1/6 W 5.00% TA52
R601	0RD0472F609	47 OHM 1/6 W 5.00% TA52
R602	0RD2701F609	2.7K OHM 1/6 W 5.00% TA52
R603	0RD6201F609	6.2K OHM 1/6 W 5.00% TA52
R604	0RD2701F609	2.7K OHM 1/6 W 5.00% TA52
R605	0RD6201F609	6.2K OHM 1/6 W 5.00% TA52
R606	0RD0472F609	47 OHM 1/6 W 5.00% TA52
R607	0RF0331H609	3.3 OHM 1/2 W 5.00% TA52
R608	0RD1001F609	1K OHM 1/6 W 5.00% TA52
R609	0RF0331H609	3.3 OHM 1/2 W 5.00% TA52
R610	0RD6802F609	68K OHM 1/6 W 5.00% TA52
R611	0RD1500F609	150 OHM 1/6 W 5.00% TA52
R612	0RD1001F609	1K OHM 1/6 W 5.00% TA52
R801	0RKZVTA001K	0.47M OHM 1/2 W 5% TA52 PILKOR
R802	180-822M	RWR 15W 1.0 OHM J PD
R803	0RD0561H609	5.6 OHM 1/2 W 5.00% TA52
Δ R804	0RD4701F609	4.7K OHM 1/6 W 5.00% TA52
R805	0RD1001F609	1K OHM 1/6 W 5.00% TA52
R806	180-A01B	RW ROUND G 2W 0.11 K TA31(63)
Δ R807	0RKZVTA001C	8.2M OHM 1/2 W 5% TA52 UL PILK
R808	0RD3001F609	3K OHM 1/6 W 5.00% TA52
R809	0RS4702K607	47K OHM 2 W 5.00% TA62
R821	0RD3601F609	3.6K OHM 1/6 W 5.00% * W/O ST-BY
R822	0RD3601F609	3.6K OHM 1/6 W 5.00% * W/O ST-BY
R851	0RS0152H609	15 OHM 1/2 W 5.00% TA52
R852	0RS0332K607	33 OHM 2 W 5.00% TA62
R853	0RD4701F609	4.7K OHM 1/6 W 5.00% TA52
R854	0RD4702F609	47K OHM 1/6 W 5.00% TA52
R858	0RD4701F609	4.7K OHM 1/6 W 5.00% TA52
R860	0RD4701F609	4.7K OHM 1/6 W 5.00% TA52
R861	0RD2001F609	2K OHM 1/6W 5
R862	0RD5601F609	5.6K OHM 1/6 W 5.00% TA52
R863	0RD2001F609	2K OHM 1/6 W 5.00% TA52
R864	0RS0121J607	1.2OHM 1W 5%
R865	0RS1201K607	1.2K OHM 2W 5
R866	0RS1001H609	1K OHM 1/2W 5%

For Capacitor & Resistors, the characters at 2nd and 3rd digit in the P/No. means as follows;

CC, CX, CK, CN : Ceramic
CQ : Polyester
CE : Electrolytic

RD : Carbon Film
RS : Metal Oxide Film
RN : Metal Film
RF : Fusible

The components identified by mark Δ are critical for safety.
Replace only with part number specified.

LOCA. NO	PART NO	DESCRIPTION	LOCA. NO	PART NO	DESCRIPTION
R867	0RD3002H609	30K OHM 1/2W 5%	R976	0RD5601F609	5.6K OHM 1/6 W 5.00% TA52
R868	0RD1202F609	12K OHM 1/6W 5%	R977	0RD0102F609	10 OHM 1/6 W 5.00% TA52
R869	0RD4701F609	4.7K OHM 1/6 W 5.00% TA52	R978	0RD0822F609	82 OHM 1/6 W 5.00% TA52
R870	0RD4702F609	47K OHM 1/6 W 5.00% TA52	R979	0RD0822F609	82 OHM 1/6 W 5.00% TA52
R901	0RD9100F609	910 OHM 1/6 W 5.00% TA52	R980	0RD1000F609	100 OHM 1/6 W 5.00% TA52
R902	0RD2401F609	2.4K OHM 1/6 W 5.00% TA52	R981	0RD2001H609	2K OHM 1/2 W 5.00% TA52
R903	0RD9100F609	910 OHM 1/6 W 5.00% TA52	R982	0RD1501H609	1.5K OHM 1/2 W 5.00% TA52
R904	0RD2401F609	2.4K OHM 1/6 W 5.00% TA52	R983	0RD5602F609	56K OHM 1/6 W 5.00% TA52
R905	0RD9100F609	910 OHM 1/6 W 5.00% TA52	R984	0RD1202F609	12K OHM 1/6 W 5.00% TA52
R906	0RD2401F609	2.4K OHM 1/6 W 5.00% TA52	R985	0RD5602F609	56K OHM 1/6 W 5.00% TA52
R907	0RD1803H609	180K OHM 1/2 W 5.00% TA52	R986	0RD1201H609	1.2K OHM 1/2 W 5.00% TA52
R908	0RKZVTA001A	2.2M OHM 1/2 W 5% TA52 UL PILK	R987	0RD1501H609	1.5K OHM 1/2 W 5.00% TA52
R909	0RS6802K607	68K OHM 2 W 5.00% TA62	R988	0RD1500H609	150 OHM 1/2 W 5.00% TA52
R910	0RS6802K607	68K OHM 2 W 5.00% TA62	R989	0RD0391H609	3.9 OHM 1/2 W 5.00% TA52
R911	0RS6802K607	68K OHM 2 W 5.00% TA62	R990	0RD1500H609	150 OHM 1/2 W 5.00% TA52
R912	0RD0562F609	56 OHM 1/6 W 5.00% TA52	R991	0RD0391H609	3.9 OHM 1/2 W 5.00% TA52
R914	0RD0562F609	56 OHM 1/6 W 5.00% TA52	R992	0RD8200H609	820 OHM 1/2 W 5.00% TA52
R915	0RD4701F609	4.7K OHM 1/6 W 5.00% TA52	R993	0RD8200H609	820 OHM 1/2 W 5.00% TA52
R916	0RD4701F609	4.7K OHM 1/6 W 5.00% TA52	R1101	0RD1301F609	1.3K OHM 1/6 W 5.00% TA52
R917	0RD4701F609	4.7K OHM 1/6 W 5.00% TA52	R1102	0RD3300F609	330 OHM 1/6 W 5.00% TA52
R918	0RCZVTA002B	1.0K OHM 1/2W 10% TA52 PILKOR(R1103	0RD4701F609	4.7K OHM 1/6 W 5.00% TA52
R919	0RCZVTA002B	1.0K OHM 1/2W 10% TA52 PILKOR(R1201	0RD0822F609	82 OHM 1/6 W 5.00% TA52
R920	0RCZVTA002B	1.0K OHM 1/2W 10% TA52 PILKOR(R1202	0RD0752F609	75 OHM 1/6 W 5.00% TA52
R921	0RD3001F609	3K OHM 1/6 W 5.00% TA52	R1204	0RD2403F609	240K OHM 1/6 W 5.00% TA52
R922	0RD3301F609	3.3K OHM 1/6 W 5.00% TA52	R1205	0RD2403F609	240K OHM 1/6 W 5.00% TA52
R923	0RD1001F609	1K OHM 1/6 W 5.00% TA52	R1401	0RS0221H609	2.2 OHM 1/2 W 5.00% TA52
R924	0RD8200F609	820 OHM 1/6 W 5.00% TA52	R1402	180-C02M	5.6K OHM 1/2 W 10% TA52 ERC12G
R925	0RD5100F609	510 OHM 1/6 W 5.00% TA52	RN01	0RD1000F609	100 OHM 1/6 W 5.00% TA52
R926	0RD0562F609	56 OHM 1/6 W 5.00% TA52	RN02	0RD1000F609	100 OHM 1/6 W 5.00% TA52
R952	0RD1001F609	1K OHM 1/6 W 5.00% TA52	RN03	0RD1002F609	10K OHM 1/6 W 5.00% TA52
R953	0RD1801F609	1.8K OHM 1/6 W 5.00% TA52	RN11	0RD0271H609	2.7 OHM 1/2 W 5.00% TA52
R954	0RD1801F609	1.8K OHM 1/6 W 5.00% TA52	RN14	0RD0271H609	2.7 OHM 1/2 W 5.00% TA52
R955	0RD6800F609	680 OHM 1/6 W 5.00% TA52	RN17	0RD0912F609	91 OHM 1/6 W 5.00% TA52
R956	0RD1000F609	100 OHM 1/6 W 5.00% TA52	RN18	0RD1001F609	1K OHM 1/6 W 5.00% TA52
R957	0RD4700F609	470 OHM 1/6 W 5.00% TA52	RN19	0RD1001F609	1K OHM 1/6 W 5.00% TA52
R958	0RD3600F609	360 OHM 1/6 W 5.00% TA52	RN20	0RD1001F609	1K OHM 1/6 W 5.00% TA52
R959	0RD3300F609	330 OHM 1/6 W 5.00% TA52	RN21	0RD1001F609	1K OHM 1/6 W 5.00% TA52
R960	0RD1000F609	100 OHM 1/6 W 5.00% TA52	RN22	0RD1001F609	1K OHM 1/6 W 5.00% TA52
R961	0RD0471F609	4.7 OHM 1/6 W 5.00% TA52	RN23	0RD1001F609	1K OHM 1/6 W 5.00% TA52
R962	0RD0471F609	4.7 OHM 1/6 W 5.00% TA52	RV02	0RD1000F609	100 OHM 1/6 W 5.00% TA52
R963	0RD1000F609	100 OHM 1/6 W 5.00% TA52	RV03	0RD1000F609	100 OHM 1/6 W 5.00% TA52
R964	0RD3002F609	30K OHM 1/6 W 5.00% TA52	RV06	0RD1002F609	10K OHM 1/6 W 5.00% TA52
R965	0RD4701F609	4.7K OHM 1/6 W 5.00% TA52	RV07	0RD1002F609	10K OHM 1/6 W 5.00% TA52
R967	0RD1600F609	160 OHM 1/6 W 5.00% TA52	RV16	0RD1001F609	1K OHM 1/6 W 5.00% TA52
R968	0RD1000F609	100 OHM 1/6 W 5.00% TA52	RV17	0RD1000F609	100 OHM 1/6 W 5.00% TA52
R969	0RD3600F609	360 OHM 1/6 W 5.00% TA52	RV35	0RD1001F609	1K OHM 1/6 W 5.00% TA52
R970	0RD3300F609	330 OHM 1/6 W 5.00% TA52	RV122	0RD1000F609	100 OHM 1/6 W 5.00% TA52
R971	0RD6201F609	6.2K OHM 1/6 W 5.00% TA52	RV123	0RD1000F609	100 OHM 1/6 W 5.00% TA52
R972	0RD3001F609	3K OHM 1/6 W 5.00% TA52	RV124	0RD0102F609	10 OHM 1/6 W 5.00% TA52
R973	0RD3001F609	3K OHM 1/6 W 5.00% TA52	VR121	180-F03H	EVN-DJAA03 B103 SEMI-FIX(H)
R974	0RD1500F609	150 OHM 1/6 W 5.00% TA52	VR122	180-F03H	EVN-DJAA03 B103 SEMI-FIX(H) * CL-
R975	0RD1500F609	150 OHM 1/6 W 5.00% TA52			

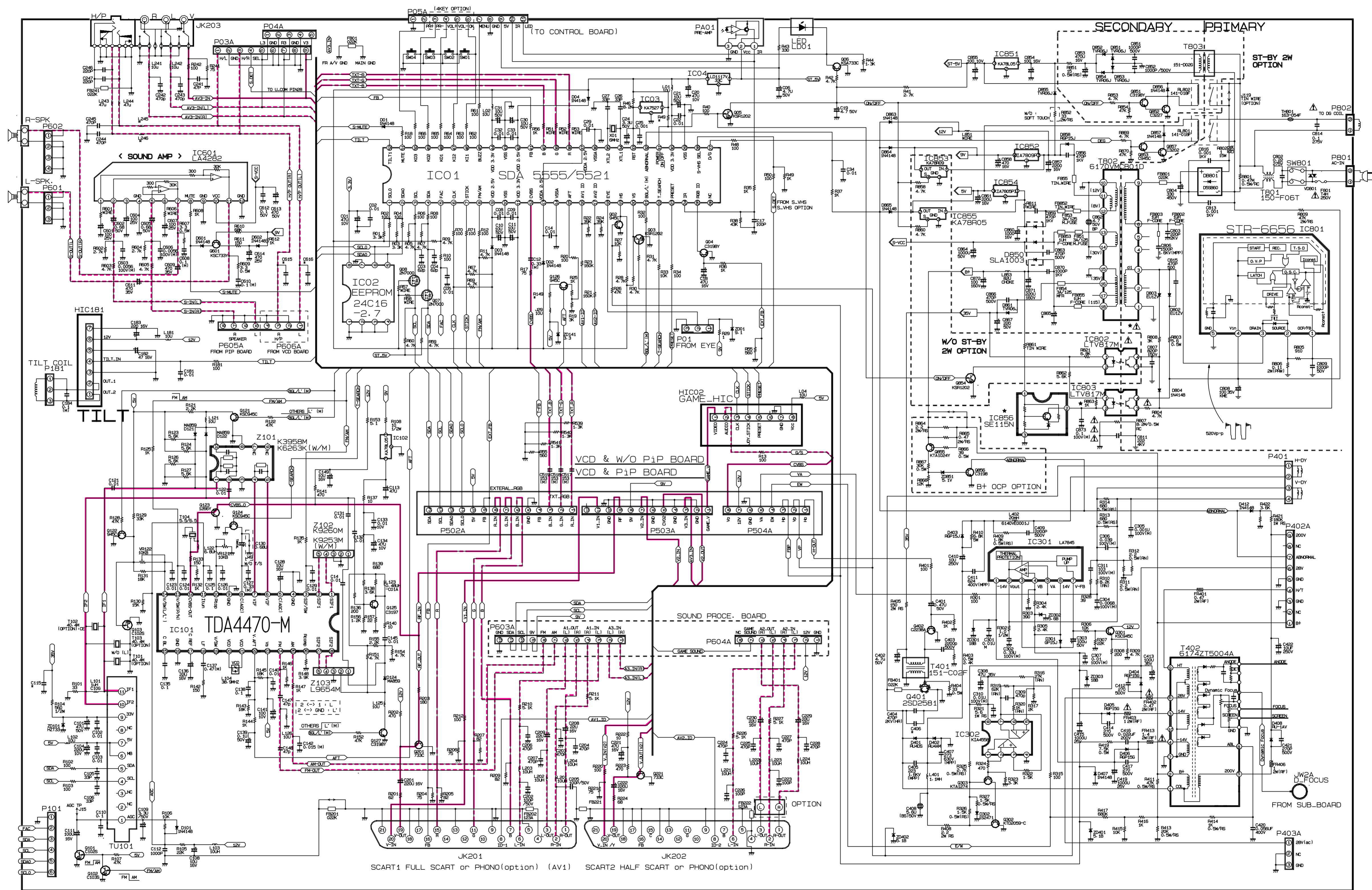
The components identified by mark Δ are critical for safety. Replace only with part number specified.

For Capacitor & Resistors, the characters at 2nd and 3rd digit in the P/No. means as follows;
 CC, CX, CK, CN : Ceramic
 CQ : Polyester
 CE : Electrolytic
 RD : Carbon Film
 RS : Metal Oxide Film
 RN : Metal Film
 RF : Fusible

LOCA. NO	PART NO	DESCRIPTION
SPARK GAP		
SG901	165-004A	SPARK GAP,AG20PT 152F-L3N/S-23
SG902	165-004A	SPARK GAP,AG20PT 152F-L3N/S-23
SG903	165-004A	SPARK GAP,AG20PT 152F-L3N/S-23
SG904	165-004A	SPARK GAP,AG20PT 152F-L3N/S-23
SWITCH		
Δ SWP801	6600VM2002A	SWITCH,PUSH SDKEA3 IEC 250V 8A HORIZO
SW1101	140-313B	SWITCH,TACT 2LEAD 160G(TA) LG C&D NON
SW1102	140-313B	SWITCH,TACT 2LEAD 160G(TA) LG C&D NON
SW1103	140-313B	SWITCH,TACT 2LEAD 160G(TA) LG C&D NON
SW1104	140-313B	SWITCH,TACT 2LEAD 160G(TA) LG C&D NON
SW1105	140-313B	SWITCH,TACT 2LEAD 160G(TA) LG C&D NON
SW1106	140-313B	SWITCH,TACT 2LEAD 160G(TA) LG C&D NON
FILTER & CRYSTAL		
LP802	150-F06L	FILTER,LINE SQE2930 10MH
T101	166-C06D	FILTER,TRAP MKT40.4MA110P-TF01 MURATA * CL-
T102	166-C06D	FILTER,TRAP MKT40.4MA110P-TF01 MURATA
T103	166-C06D	FILTER,TRAP MKT40.4MA110P-TF01 MURATA
T104	166-C04C	FILTER,TRAP TPWA02B-TF21 MURATA 5.5MHZ
T105	166-C06D	FILTER,TRAP MKT40.4MA110P-TF01 MURATA * CL-
T801	150-F06U	FILTER,LINE SQE3535 27.5MH
X01	156-A01L	CRYSTAL,HC49U SUNNY RADIAL 6.000MHZ
XN01	156-A02R	CRYSTAL,HC49U KJE RADIAL 18.432MHZ
XV01	6202VDB007B	CRYSTAL,HC49U SUNNY RADIAL 20.250MHZ
Z101	6200VQS001Q	FILTER,SAW OFWK3958M 38.9MHZ
Z102	6200VQS001D	FILTER,SAW OFWK9260M 38.9MHZ (SIF
"	6200VQS001G	FILTER,SAW OFWK9350M * CL-
Z103	6200VQS002D	FILTER,SAW L9654M 33.9 * CL-
ACCESSORIES		
A1	3828VA0250C	MANUAL,OWNERS DG/FLAT LG GE/FR/NE/EN
A1	3828VA0250D	MANUAL,OWNERS UK/WTY/ LG EN
A1	3828VA0250F	MANUAL,OWNERS IS/FLAT/REG
A1	3828VA0250J	MANUAL,OWNERS FS LG FR 026C
A1	3828VA0250L	MANUAL,OWNERS MK/REG/SPEC
A1	3828VA0250M	MANUAL,OWNERS PL/SPEC LG PL
A2	6710V00083D	REMOTE CONTROLLER W/O PIP W/TXT
A2	6710V00063B	REMOTE CONTROLLER W/O PIP ITALY
MISCELLANEOUS		
Δ F853	131-096D	FUSE,FAST BLOE 3000MA 125 V 2.5X7.6
Δ FP801	0FT4001B53C	FUSE,TIME LAG 4000MA 250 V 5.2X20
JK201	6612VMH001A	JACK,SCART UPJ-R1-018 RGB 21 PI
JK202	6613V00011A	JACK ASSY,PMJ018A 21P SCART+A/
JK1201	6613V00004A	JACK ASSY,PJ6054A EARPHONE+S-VHS+3P
PA1101	6726VH0001A	PRE-AMP,TSOP1238RF1 TEMIC 38KHZ
RL801	6920VB1001E	RELAY,DC SDT-S-105LMR OEG 5V 0.05A 250V
RL802	6920VB1001E	RELAY,DC SDT-S-105LMR OEG 5V 0.05A 250V
Δ SK901	6620VBD002A	SOCKET,CPT PCS029A 9PIN 14/360

LOCA. NO	PART NO	DESCRIPTION
TH801	163-054F	THERMISTOR,J502P84D140M290Q
TU101	6700VPF005D	TUNER,TAEC-G023D

CIRCUIT DIAGRAM FOR MCO07A CHASSIS

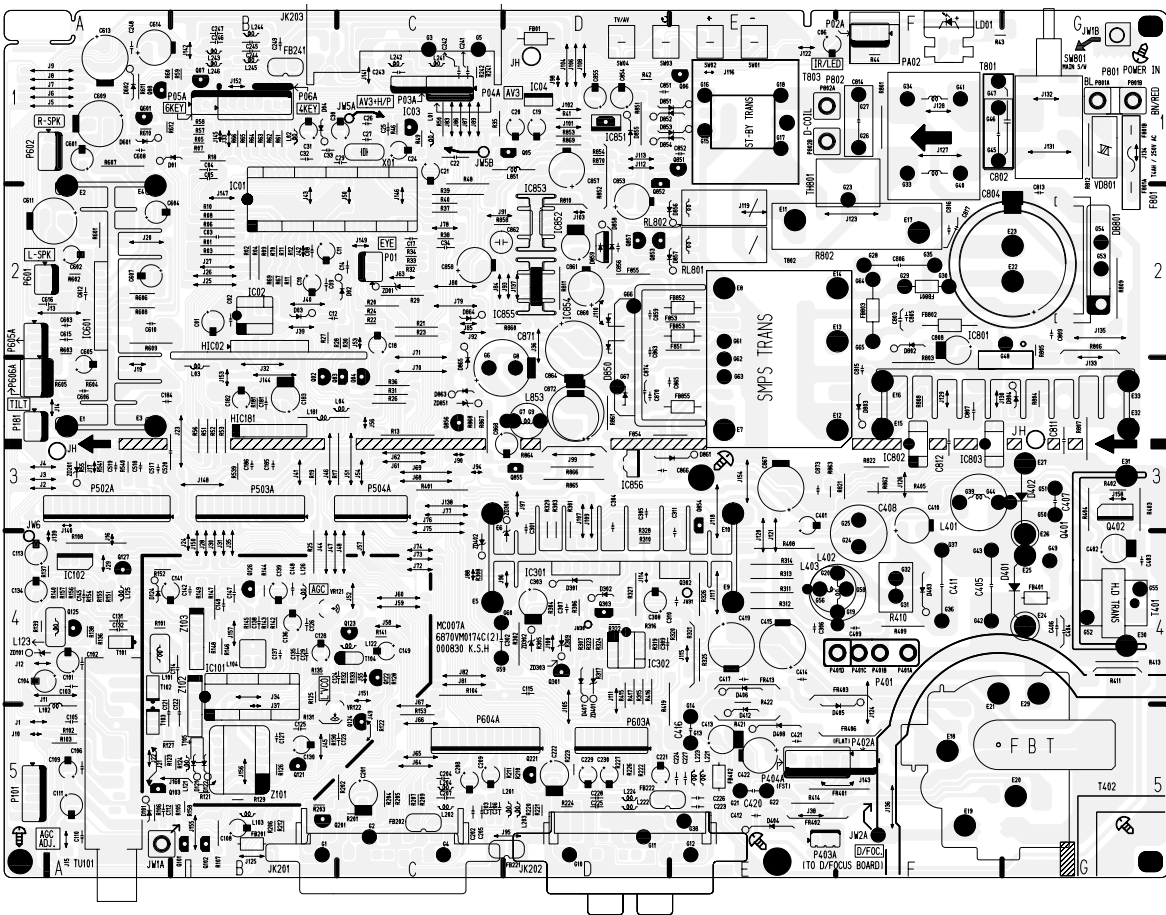


— Video
- - - Audio
· · · C

P/No : 3854VA0071A-S1
2000.06.15

PRINTED CIRCUIT BOARD

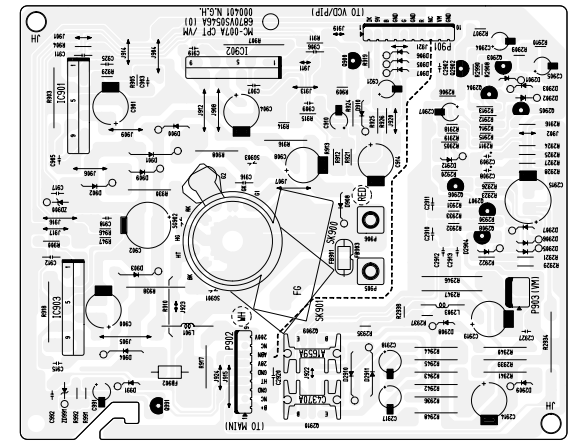
MAIN



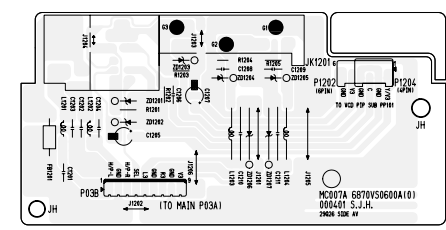
COMPONENT LOCATION GUIDE

C01...B2	C184...A3	C604...A2	D601...A1	JW1A...A5	Q07...B1	R51...B3	R207...C5	R609...B2	Z101...B5
C02...B2	C185...B3	C605...A3	D602...A1	JW2A...F5	Q08...A1	R52...C5	R209...C5	R610...A1	Z102...B4
C03...B2	C186...B3	C606...A3	D802...F3	L01...C1	Q101...B5	R53...B3	R210...D5	R611...A1	Z103...B4
C04...B1	C201...C5	C607...A2	D803...F3	L02...B1	Q102...B6	R55...A3	R211...D5	R612...A1	ZD01...C2
C05...B2	C202...C5	C608...A1	D804...G3	L03...B3	Q103...A5	R56...B3	R212...B5	R801...F1	ZD101...A4
C06...E1	C203...C5	C609...A1	D850...D3	L101...B3	Q121...B5	R57...B1	R220...D5	R802...F2	ZD201...A3
C08...B2	C204...C5	C610...A2	D851...E1	L121...B5	Q122...C4	R58...B1	R221...D5	R803...F3	ZD301...D3
C09...B2	C205...C5	C611...A2	D852...D1	L102...A5	Q123...C4	R59...B1	R222...D5	R804...G3	ZD302...D4
C10...B2	C206...C5	C612...A2	D853...E1	L103...B5	Q124...C5	R60...B1	R223...D5	R805...G2	ZD303...D4
C11...B2	C207...C5	C613...A1	D854...D1	L104...B4	Q125...A4	R61...B1	R224...D5	R806...G3	ZD401...D4
C12...B2	C208...C5	C614...A1	D855...D1	L121...B5	Q126...B4	R62...B1	R225...D5	R807...G3	ZD402...C4
C14...C2	C209...C5	C615...A2	D856...E2	L122...B4	Q127...A4	R63...B1	R227...D5	R808...F3	ZD851...C3
C17...C2	C221...D5	C616...A2	D857...E2	L123...A4	Q201...B5	R64...B1	R241...C1	R809...G2	
C18...C2	C222...D5	C802...F1	D858...D2	L125...A4	Q221...D5	R65...B1	R242...C1	R810...D2	
C19...D1	C223...E5	C803...F2	D859...D2	L126...B4	Q301...D4	R66...B1	R301...D4	R811...D2	
C20...D1	C224...E5	C804...G2	D861...E3	L181...B3	Q303...D4	R67...B2	R302...D4	R812...D2	
C21...C2	C225...D5	C805...F2	D863...C3	L201...D5	Q402...G3	R69...B2	R303...D4	R821...F3	
C22...C1	C226...E5	C806...F2	D864...C2	L202...C5	Q601...A1	R70...B2	R304...D4	R822...C3	
C24...C1	C227...E5	C807...F3	D865...C2	L203...D5	Q851...E1	R71...B2	R305...D4	R851...D1	
C25...C1	C228...D5	C808...F3	D866...C2	L204...C5	Q852...D2	R101...B4	R306...D4	R852...D2	
C26...C1	C229...D5	C809...G2	F801...D3	L221...E5	Q853...D2	R102...A5	R307...D4	R853...D1	
C27...C1	C230...D5	C811...G3	F853...D2	L222...D5	Q854...E4	R103...A5	R308...C4	R854...D1	
C29...B1	C241...C1	C812...F3	F854...E3	L223...E5	Q855...D3	R104...C4	R309...D4	R858...C2	
C30...C1	C242...C1	C813...G2	F855...D2	L224...D5	Q856...C3	R105...B5	R310...D4	R860...C2	
C31...B1	C243...C1	C814...F1	F856...D1	L241...C1	Q857...D2	R106...A5	R311...D4	R861...C3	
C32...B1	C244...B1	C815...F3	F801B...G1	L242...C1	R01...B2	R107...B5	R312...E4	R862...F3	
C33...C1	C245...B1	C816...F2	F801...D1	L243...B1	R02...B2	R108...A4	R313...E4	R863...D3	
C34...C2	C246...B1	C817...F2	F8201...B5	L244...B1	R03...B2	R121...B5	R314...E4	R864...D3	
C101...A4	C247...B1	C851...D1	F8202...C5	L245...B1	R04...B2	R122...C5	R315...D5	R865...D3	
C102...A4	C248...A1	C852...E1	F821...C5	L246...B1	R05...B1	R123...A5	R316...D5	R866...D3	
C103...A4	C249...B1	C853...D2	F822...D5	L401...F3	R06...B2	R124...B5	R317...D4	R867...C3	
C104...A4	C301...D4	C854...D1	F8241...B1	L402...F4	R07...B1	R125...B5	R319...D4	R868...C3	
C105...A5	C302...C4	C855...D1	F8401...G4	L403...E4	R08...B2	R126...B5	R320...E4	R869...D1	
C106...A5	C303...D4	C856...D2	F8402...E5	L451...D1	R09...B2	R127...A5	R321...E4	R870...D1	
C108...B5	C304...D4	C857...D1	F8801...F2	L853...D3	R10...B2	R128...C4	R322...D4	R871...D1	
C109...A5	C305...D3	C858...C2	F8802...F2	LD01...F1	R11...B2	R129...B5	R323...D4	R872...E2	
C110...A5	C306...E4	C859...D2	F8803...F2	P01...C2	R12...B2	R130...B5	R324...D4	R873...E1	
C111...A5	C307...D4	C860...D2	F8852...D2	P101...A5	R13...C3	R131...C5	R325...E4	R874...E1	
C112...A5	C308...D4	C861...D2	F8853...D2	P181...A3	R17...C3	R132...C4	R326...E4	R875...D1	
C113...A4	C309...D4	C862...C2	F8855...D3	P601...A2	R18...B1	R133...C4	R327...D4	R876...D1	
C114...B4	C310...E4	C863...D3	FR401...E5	P602...A1	R19...B3	R135...B4	R328...D4	R877...D1	
C115...D4	C311...E4	C864...D3	FR402...E5	P02A...F1	R20...C2	R136...A4	R329...D4	R878...D1	
C121...A4	C401...E4	C865...E3	FR403...E5	P03A...C1	R21...C2	R137...A4	R401...C3	T102...A4	
C122...B4	C402...G4	C866...E3	FR406...E5	P04A...B1	R22...C3	R142...B4	R402...C3	T103...A5	
C123...C5	C403...G4	C867...E3	FR413...E4	P05A...B1	R23...C2	R139...A4	R403...G4	T104...C4	
C124...C4	C404...G4	C868...D3	HIC02...B2	P06A...B1	R24...C2	R140...A4	R404...G3	T105...B5	
C125...B5	C405...F4	C870...D3	HIC181...B3	P401A...F4	R25...B4	R141...C4	R405...F3	T401...G4	
C126...B4	C406...G4	C871...D3	IC01...B2	P401B...F4	R26...C3	R142...B4	R406...E4	T402...G4	
C127...B5	C407...G3	C872...D3	IC02...B2	P401C...F4	R27...B3	R143...B4	R409...F4	T801...F1	
C128...B4	C408...F3	C873...E3	IC03...C1	P401D...F4	R28...C3	R144...B4	R410...F4	T802...E2	
C129...B4	C409...F4	C874...D3	IC04...D1	P402A...F5	R29...C2	R145...B4	R411...F4	T803...E1	
C130...B5	C410...F4	D01...A1	IC101...B5	P403A...E5	R30...C3	R146...B4	R413...G4	TH801...F2	
C131...B4	C411...F4	D02...C2	IC102...A4	P404A...F5	R31...C3	R147...B4	R414...E5	TP1...A5	
C132...A4	C412...E5	D03...B2	IC301...D4	P502A...A3	R32...C2	R148...B4	R415...D5	TP2...A5	
C134...A4	C413...E5	D04...B1	IC302...D4	P503A...B3	R33...C2	R149...B4	R416...D4	TP3...B4	
C135...B4	C414...E4	D101...A5	IC601...A2	P504A...C3	R34...C2	R151...A4	R417...D4	TP4...B4	
C136...B4	C415...E4	D121...B5	IC801...G2	P603A...D5	R35...C1	R152...A4	R419...E4	TP5...B5	
C137...B4	C416...E5	D122...B5	IC802...F3	P604A...D5	R36...C3	R153...C5	R421...E5	TP6...B5	
C138...B4	C417...E4	D124...A4	IC803...F3	P605A...A2	R37...C2	R154...A4	R422...E5	TP7...B5	
C139...B4	C419...E4	D301...D4	IC851...D1	P606A...A3	R38...C2	R155...A4	R539...B3	TP8...B5	
C140...B4	C420...E5	D302...D4	IC852...D2	P801A...G1	R39...C2	R156...A4	R540...A3	TP9...B4	
C141...B4	C421...E5	D401...G4	IC853...D2	P801B...G1	R40...C2	R157...A4	R541...A3	TP10...B5	
C142...B4	C422...E5	D402...G4	IC854...D2	P802A...E1	R41...D1	R158...B5	R601...A2	TP11...B5	
C145...A4	C517...A3	D403...F4	IC855...D2	P802B...E1	R42...D1	R181...B3	R602...A2	TP12...B4	
C147...B4	C518...A3	D404...E5	IC856...D3	PA02...F1	R43...G1	R201...C5	R603...A3	TP13...B4	
C148...B4	C519...A3	D405...F5	JK201...C5	Q02...B3	R44...F1	R202...C5	R604...A3	TP14...A5	
C149...C4	C520...B3	D406...E4	JK202...D5	Q03...C3	R46...C1	R203...B5	R605...A3	TP15...B5	
C181...B3	C601...A1	D407...D4	JK203...C1	Q04...C3	R48...C2	R204...C5	R606...A2	VR121...B4	
C182...B3	C602...A2	D408...E5	JP1...A3	Q05...D1	R49...C1	R205...C5	R607...A1	VR122...B5	
C183...B3	C603...A2	D412...E5	JP2...A2	Q06...E1	R50...C1	R206...B5	R608...A2	X01...C1	

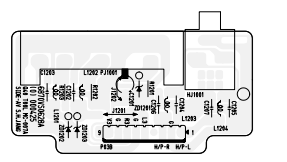
CPT



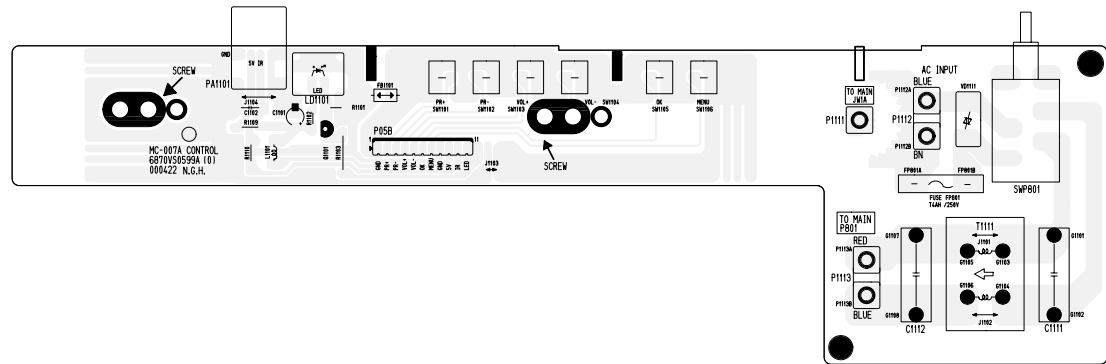
SIDE AV(Q26)



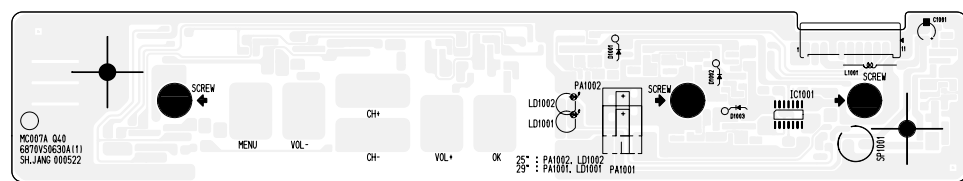
SIDE AV(29Q40)



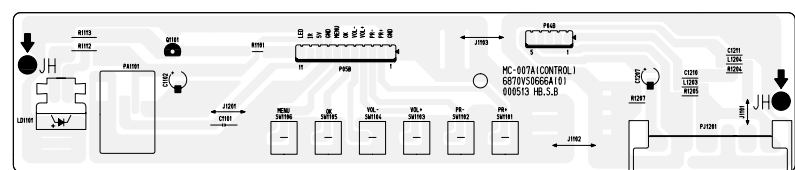
CONTROL(Q26)



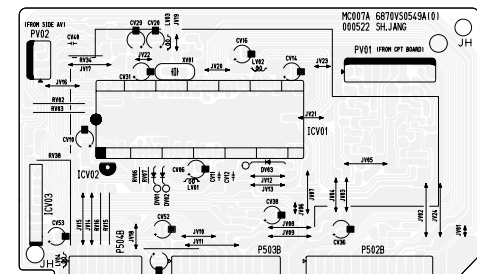
SOFT-TOUCH(29Q40)



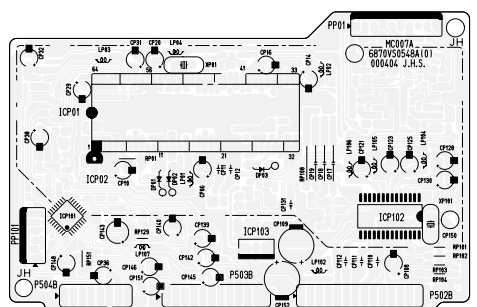
CONTROL(25H36)



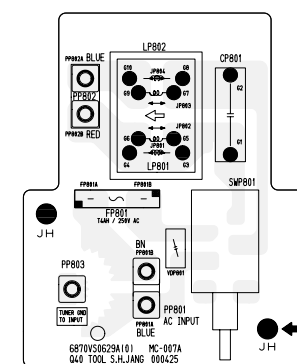
VCD



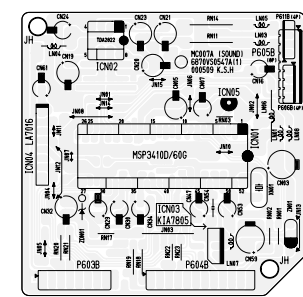
VCD & PIP



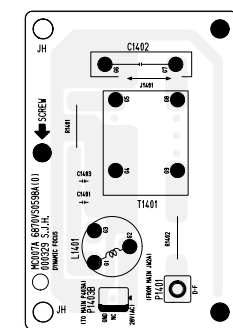
POWER(29Q40)



SOUND

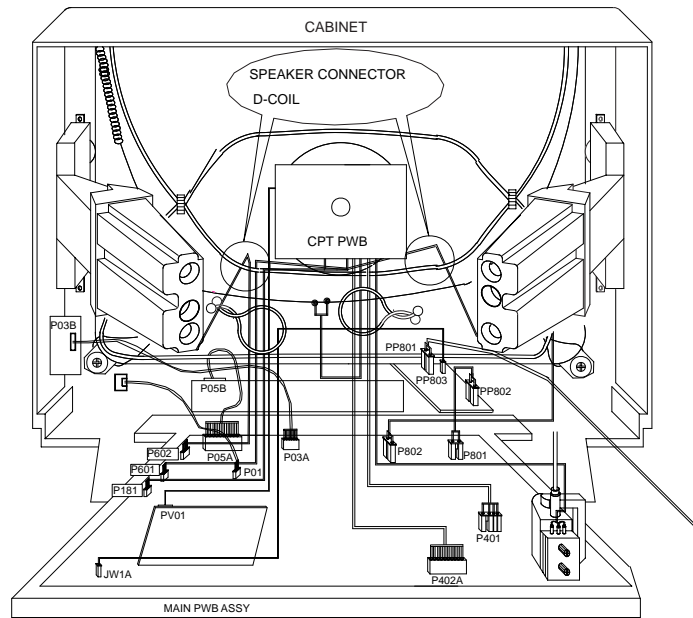


D-FOCUS(FLAT)

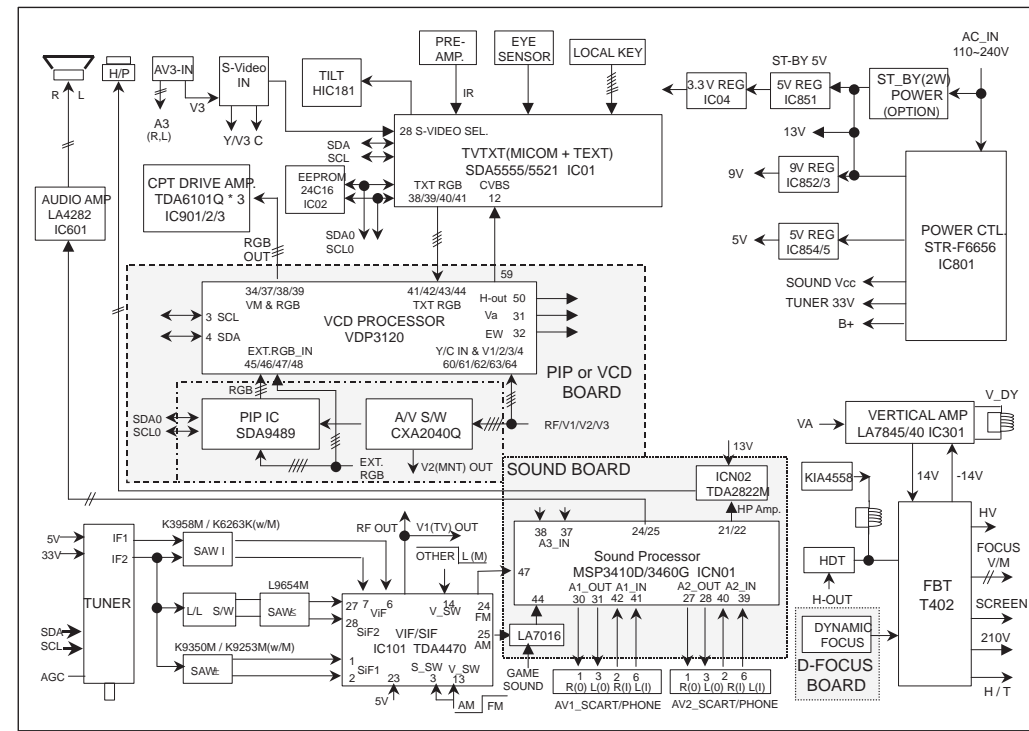


Service Sheet of MC-007A
P/N: 3854VA0071A-S1
2000.06.15

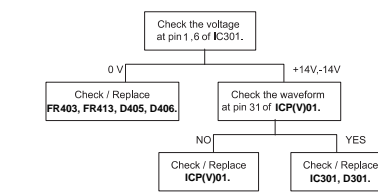
WIRING DIAGRAM



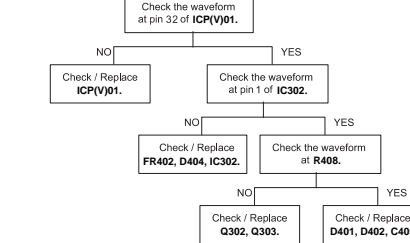
BLOCK DIAGRAM



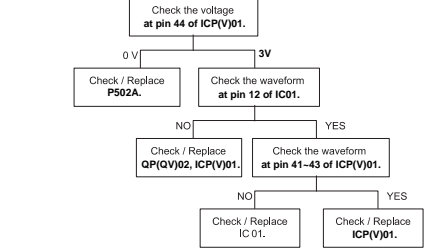
NO VERTICAL DEFLECTION



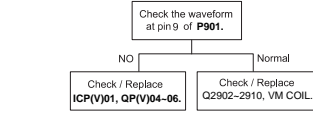
BARREL DISTORTION



NO TELETEXT

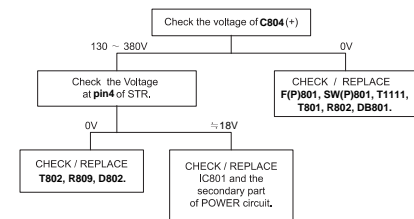


VM DON'T WORKING

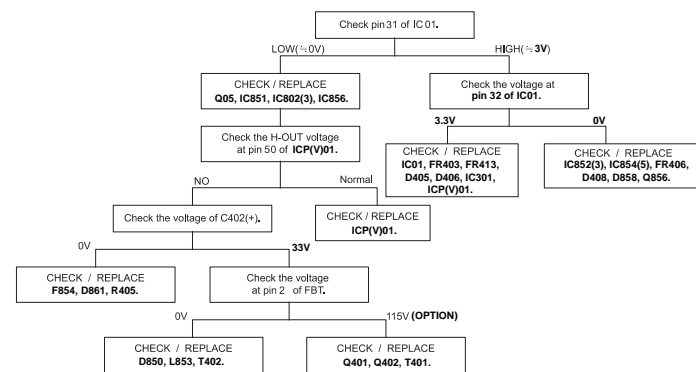


TROUBLESHOOTING GUIDE

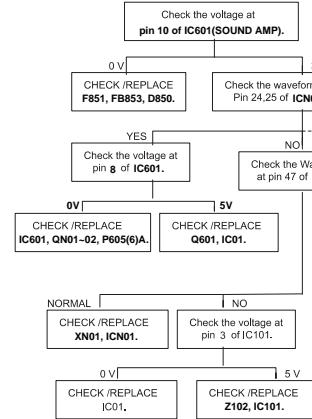
NO POWER (NOT WORKING SMPS)



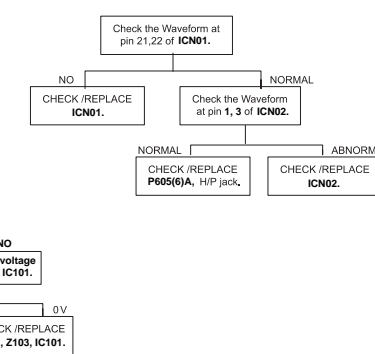
NO POWER ON BUT SMPS WORKING



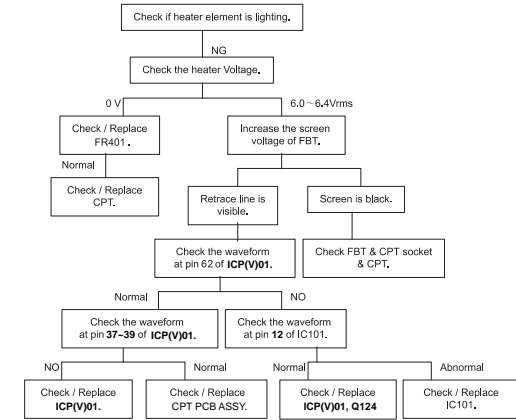
NO SOUND (PICTURE OK)



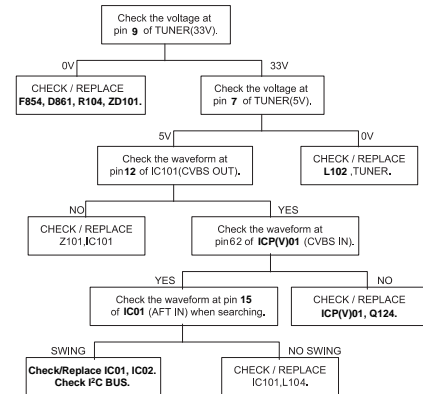
NO SOUND FROM H/P JACK (OPTION) (but Main Sound OK)



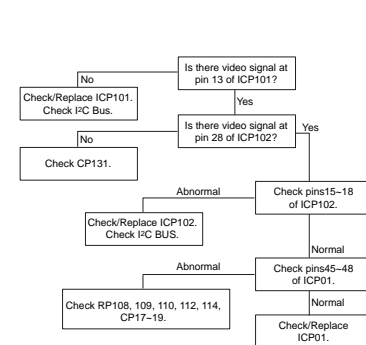
NO RASTER & PICTURE (H-OUT OK)



DON'T CATCH CHANNEL



NO PIP



Service Sheet of MC-007A
P/N: 3854VA0071A-S2
2000.06.15

SVC. SHEET : 3854VA0071A-S1
3854VA0071A-S2

Free Manuals Download Website

<http://myh66.com>

<http://usermanuals.us>

<http://www.somanuals.com>

<http://www.4manuals.cc>

<http://www.manual-lib.com>

<http://www.404manual.com>

<http://www.luxmanual.com>

<http://aubethermostatmanual.com>

Golf course search by state

<http://golfingnear.com>

Email search by domain

<http://emailbydomain.com>

Auto manuals search

<http://auto.somanuals.com>

TV manuals search

<http://tv.somanuals.com>