



LG

Life's Good

ENGLISH

Owner's Manual

IPS LED MONITOR (LED MONITOR)

Please read the safety information carefully before using the product.

IPS LED Monitor (LED Monitor) Model List

29EA73

29EB73

www.lg.com

WARNING: This product contains chemicals known to the State of California to cause cancer and birth defects or other reproductive harm. ***Wash hands after handling.***

CONTENTS

3 LICENSE

4 ASSEMBLING AND PREPARING

- 4 Product Components
- 5 Component and Button Description
- 7 Moving and Lifting the Monitor
- 8 Installing the Monitor
 - 8 - Assembling the stand base
 - 10 - Detaching the stand base
 - 12 - Installing onto a table
 - 13 - Adjusting the stand height
 - 14 - Adjusting the angle
 - 15 - Tidying cables
 - 15 - Using the Kensington lock
 - 16 - Installing the wall mount plate
 - 16 - Installing to a wall

18 USING THE MONITOR

- 18 Connecting to a PC
 - 18 - DVI connection
 - 19 - DisplayPort connection
 - 19 - HDMI connection
- 20 Connecting to AV Devices
 - 20 - HDMI connection
- 20 Connecting to External Devices
 - 20 - Smartphone (MHL) connection
 - 21 - USB cable-PC connection
 - 22 - Headphone port connection

23 INSTALLING LG MONITOR SOFTWARE

26 CUSTOMIZING SETTINGS

- 26 Activating the Main Menu
- 27 Customizing settings
 - 27 - Menu Settings
 - 28 - Ratio Settings
 - 29 - Func. Settings
 - 30 - PBP settings
 - 31 - Picture
 - 32 - Color
 - 33 - Settings

34 TROUBLESHOOTING

36 SPECIFICATIONS

- 37 Factory support mode (Preset Mode, DVI-D/HDMI/PC DisplayPort)
- 37 HDMI/MHL Timing (Video)
- 37 Power Indicator

38 PROPER POSTURE

- 38 Proper Posture for Using the Monitor

LICENSE

Each model has different licenses. Visit www.lg.com for more information on the license.



The terms HDMI and HDMI High-Definition Multimedia Interface, and the HDMI logo are trademarks or registered trademarks of HDMI Licensing LLC in the United States and other countries.

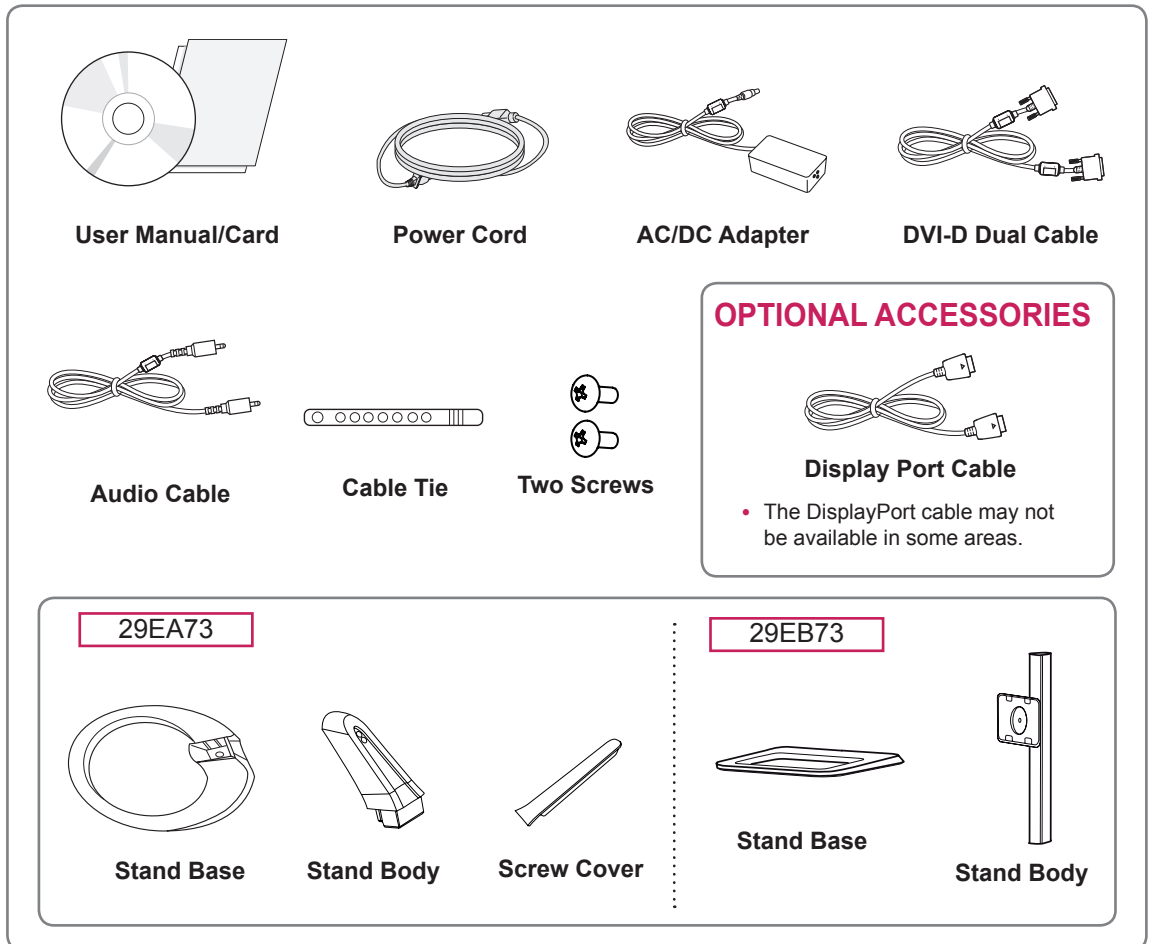


VESA, VESA logo, Display Port Compliance Logo and Display Port Compliance Logo for dual-mode source are all registered trademarks of the Video Electronics Standards Association.

ASSEMBLING AND PREPARING

Product Components

Please check whether all the components are included in the box before using the product. If there are missing components, contact the retail store where you purchased the product. Note that the product and components may look different from those shown here.



! CAUTION

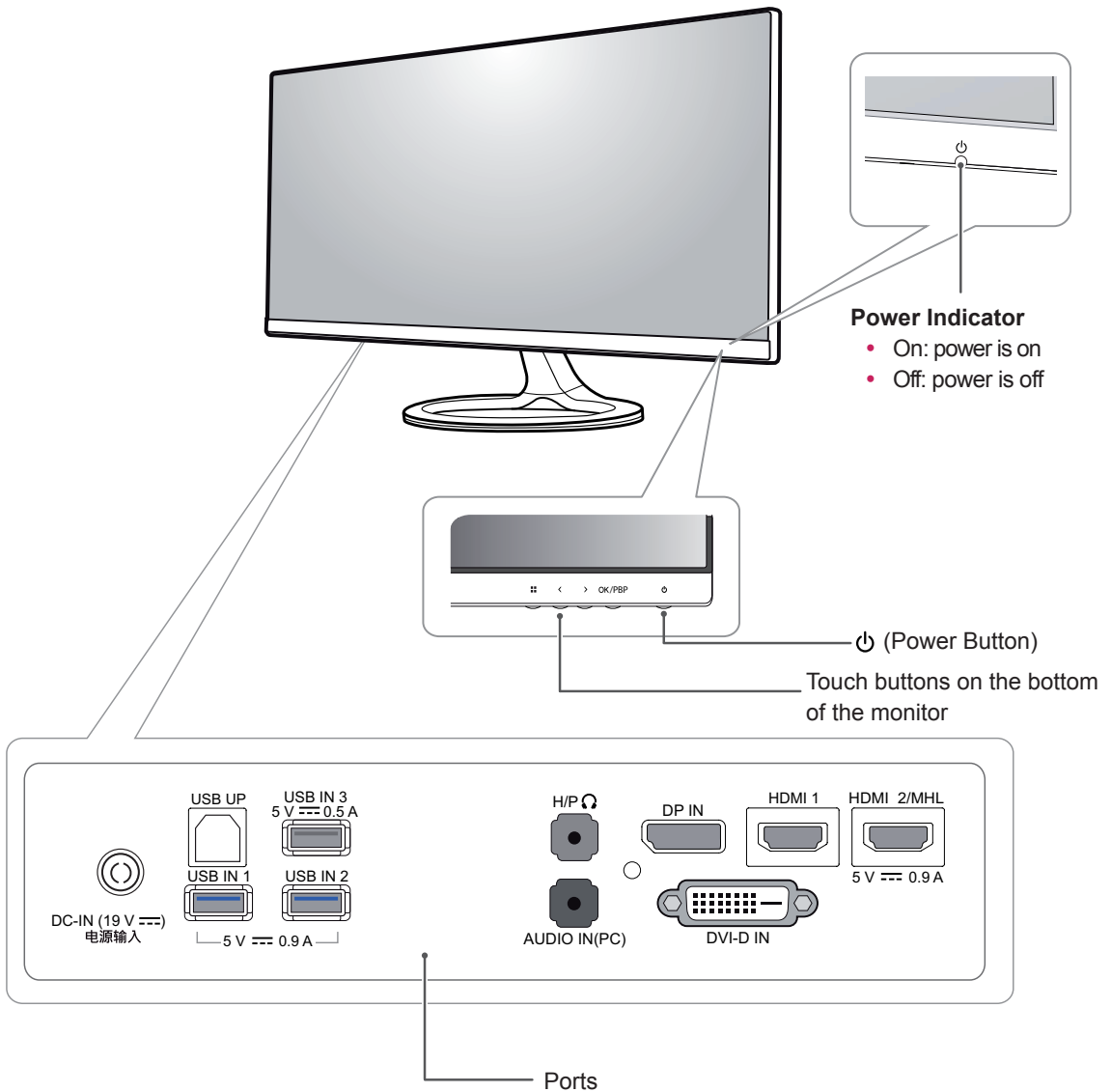
- Always use genuine components to ensure safety and product performance.
- The product warranty will not cover damage or injury caused by the use of counterfeit components.

! NOTE

- Note that the components may look different from those shown here.
- Without prior notice, all information and specifications in this manual are subject to change to improve the performance of the product.
- To purchase optional accessories, visit an electronics store or online shopping site or contact the retail store where you purchased the product.
- The DisplayPort cable may not be available in some areas.

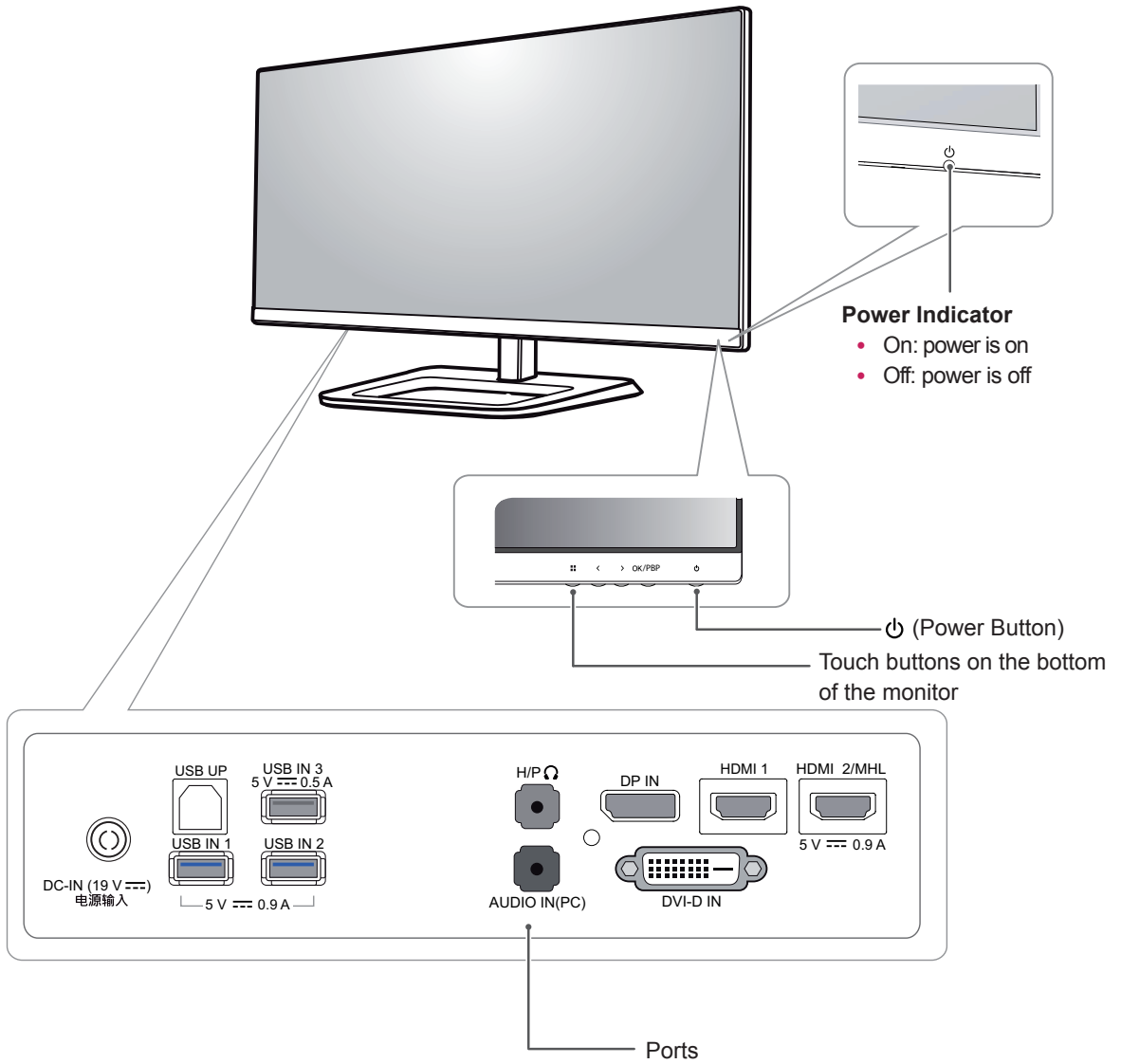
Component and Button Description

29EA73



29EB73

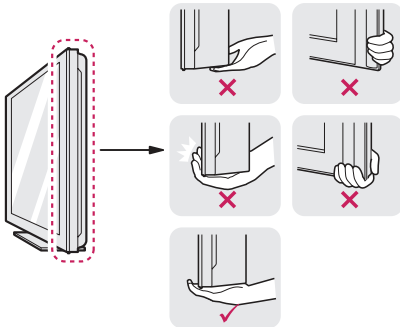
ENGLISH



Moving and Lifting the Monitor

When moving or lifting the monitor, follow these instructions to prevent the monitor from being scratched or damaged and to ensure safe transportation regardless of its shape or size.

- It is advisable to place the monitor in the original box or packing material before attempting to move it.
- Before moving or lifting the monitor, disconnect the power cord and all cables.
- Hold the top and bottom of the monitor frame firmly. Do not hold the panel itself.



- When holding the monitor, the screen should face away from you to prevent it being scratched.



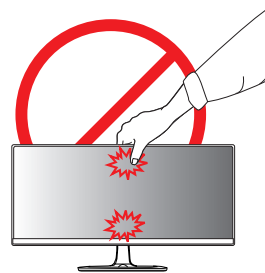
- When moving the monitor, avoid any strong shock or vibrations to the product.
- When moving the monitor, keep it upright, never turn the monitor on its side or tilt it sideways.



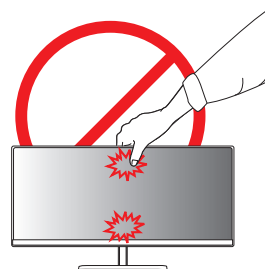
CAUTION

- As far as possible, avoid touching the monitor screen. This may result in damage to the screen or some of the pixels used to create images.

29EA73



29EB73



Installing the Monitor

Assembling the stand base

29EA73

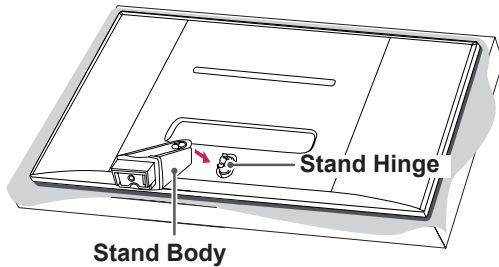
- 1 Place the screen face down.



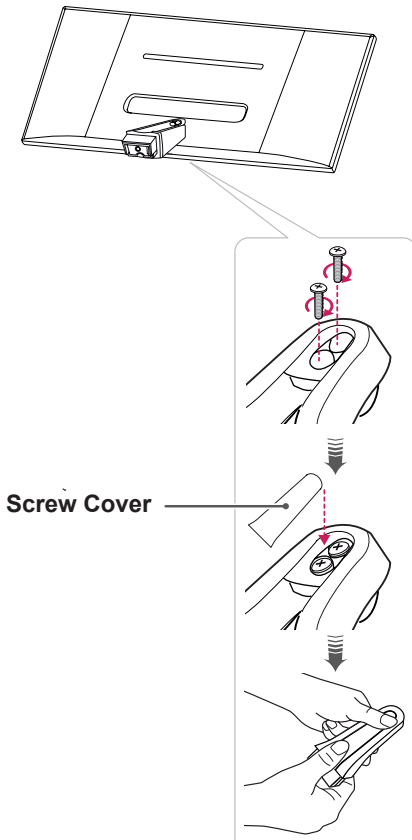
CAUTION

- To protect the screen from scratches, cover the surface with a soft cloth.

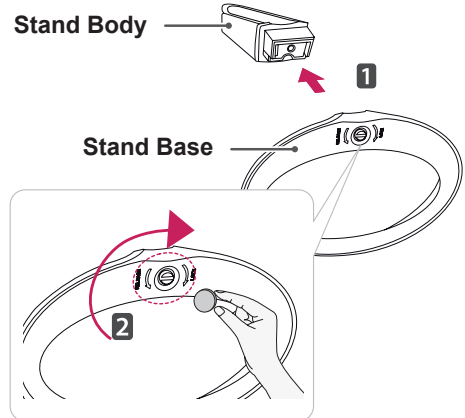
- 2 Check the direction of the stand body (front, back) and then mount the stand body onto the stand hinge.



- 3 Tighten two screws into the back of the stand body and close the screw covers.



- 4 Fix the stand base to the stand body. Using a coin, turn the screws in the stand base clockwise.



CAUTION

Applying excessive force when tightening the screws may cause damage to the monitor. Damage caused in this way will not be covered by the product warranty.

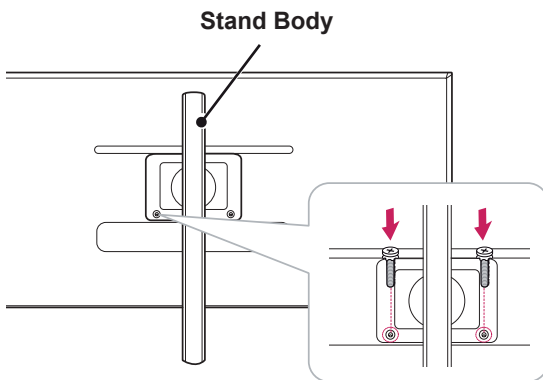
29EB73

- 1 Place the screen face down.

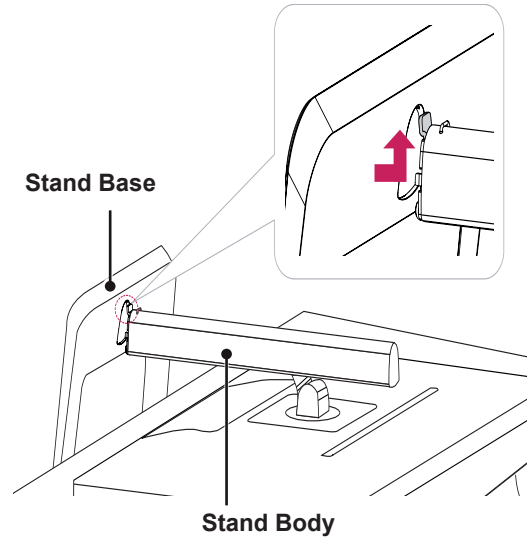
**CAUTION**

- To protect the screen from scratches, cover the surface with a soft cloth.

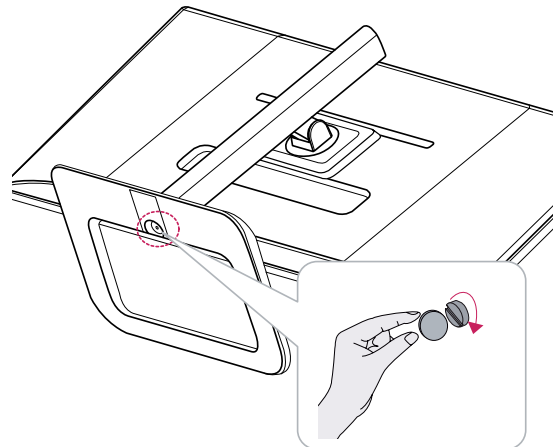
- 2 Put the **stand body** on the monitor aligning with holes for fixing screws and fix two screws to the holes to assemble the **stand body** and the monitor together.



- 3 Insert the **stand base** into the hook of the **stand body**.



- 4 Fix by turning the screw to the right with a coin.



Detaching the stand base

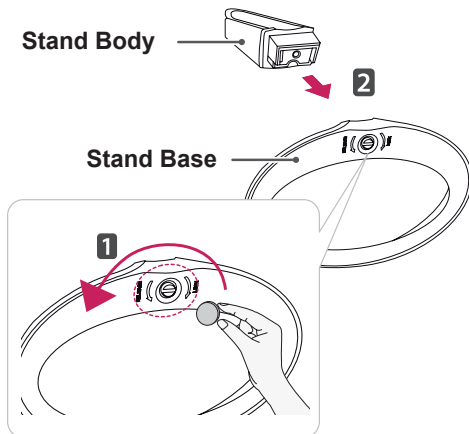
29EA73

- 1 Place the screen face down.

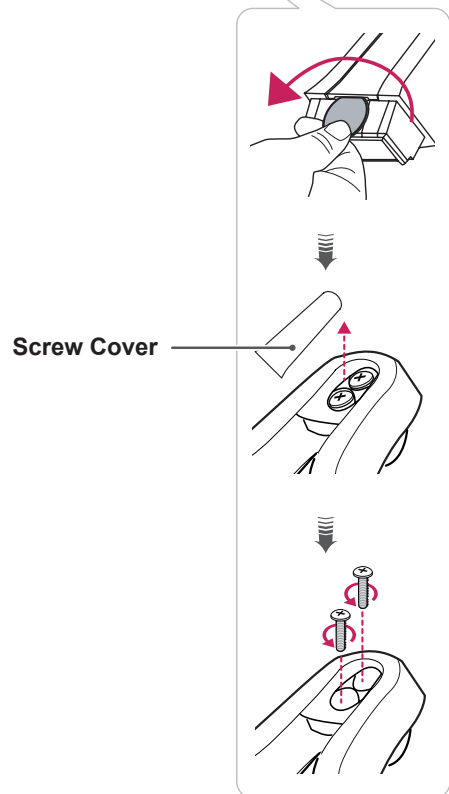
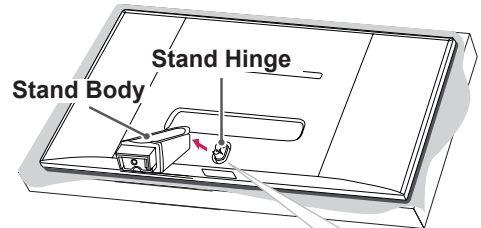
CAUTION

- To protect the screen from scratches, cover the surface with a soft cloth.

- 2 Using a coin, turn the screw in the stand base counterclockwise. Remove the **stand base** from the stand body.



- 3 Open the screw covers on the back of the stand body and remove the two screws with a screwdriver. As shown in the illustration, disconnect the **stand body** from the stand hinge.



CAUTION

- Illustrations in this document represent typical procedures, so they may look different from the actual product.
- Do not carry the monitor upside down by just holding the stand base. This may cause the monitor to fall off the stand and could result in personal injury.
- When lifting or moving the monitor, do not touch the monitor screen. Applying force or pressure may damage the monitor screen. Instead, hold the stand body or the plastic frame of the product.

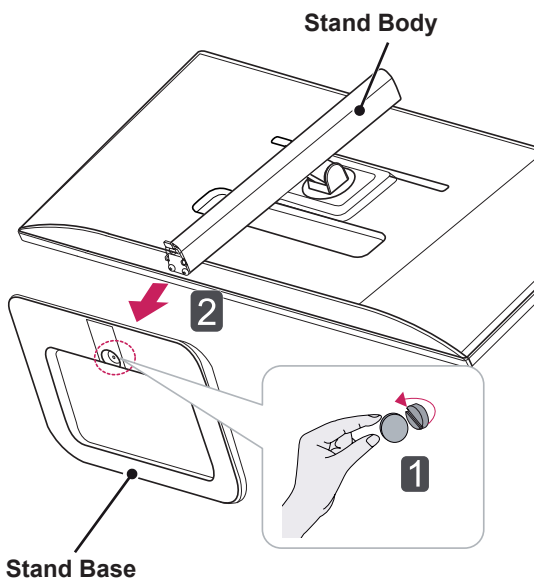
29EB73

- 1 Place the screen face down.

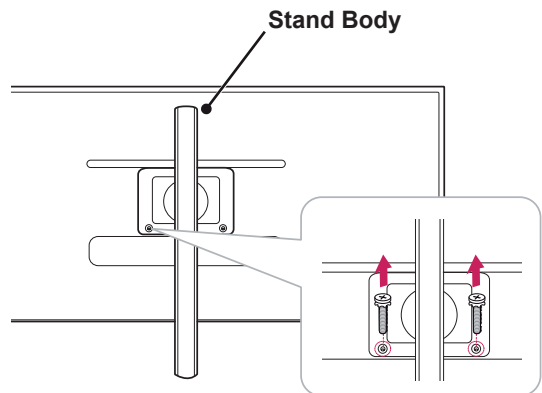
CAUTION

- To protect the screen from scratches, cover the surface with a soft cloth.

- 2
 - 1 Turn the screw to the left using a coin.
 - 2 Detach the **stand base**.



- 3 Remove the two screws from the stand body.



CAUTION

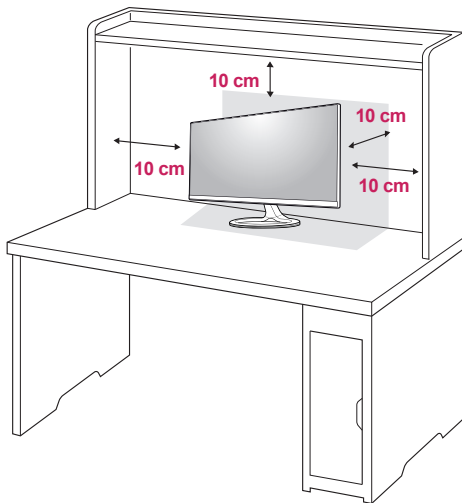
- The components in the illustrations may differ from the actual product.
- Do not carry the monitor upside down, as this may cause it to fall off its stand and result in damage or injury.
- To avoid damaging the screen when lifting or moving the monitor, only hold the stand or the plastic cover. This avoids putting unnecessary pressure on the screen.

Installing onto a table

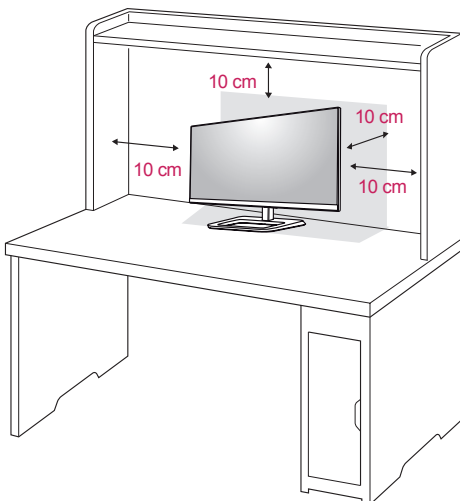
- 1 Lift the monitor and place it on the table in an upright position.

Place at least **10 cm** away from the wall to ensure sufficient ventilation.

29EA73

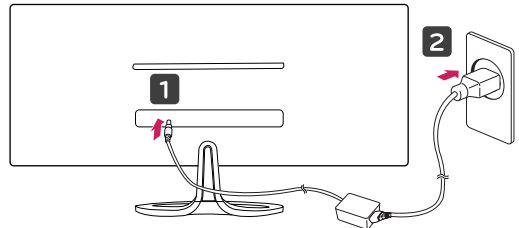


29EB73

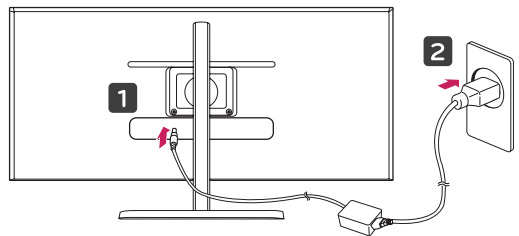


- 2 Connect the adapter to the monitor, then plug the power cord into the power outlet.

29EA73



29EB73



- 3 Press the ⏻ (Power) button on the bottom of the monitor to turn it on.

⚠ CAUTION

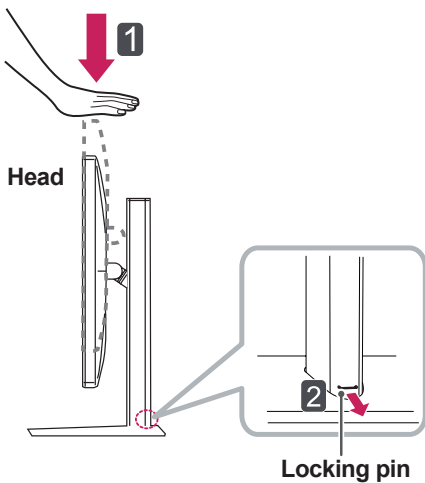
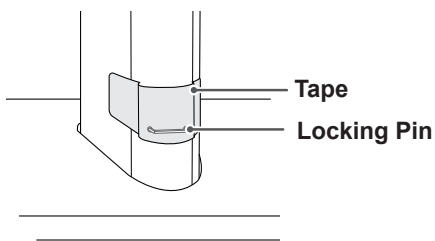
- Unplug the power cord prior to moving or installing the monitor. There is risk of electric shock.

Adjusting the stand height

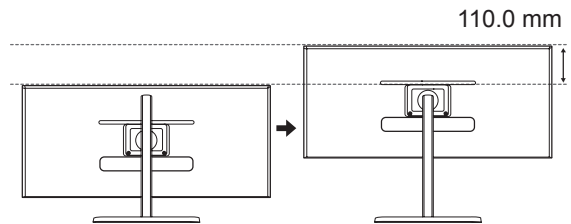
29EB73

- 1 Stand the monitor assembled with the stand base in an upright position
- 2 Remove the **tape attached to the bottom back of the stand body** and then pull out the **locking pin** while pressing the head downward.

Stand Body



- 3 The height can be adjusted up to **110.0 mm**.

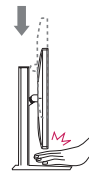


CAUTION

- Once the pin is removed, it is not necessary to re-insert it to adjust the height.



WARNING

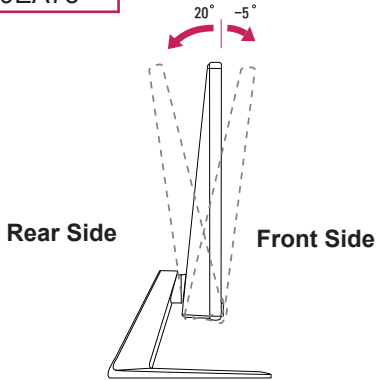


- Do not put your fingers or hand between the screen and the base (chassis) when adjusting the screen's height.

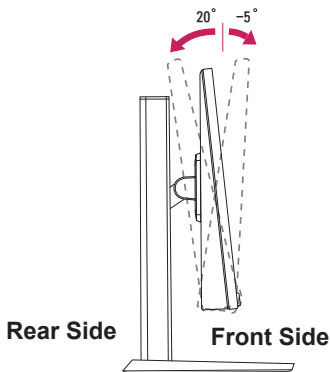
Adjusting the angle

- 1 Place the monitor in an upright position, mounted on the stand base.
- 2 Adjust the angle of the screen. The angle of the screen can be adjusted forwards or backwards from -5° to 20° for a comfortable viewing experience.

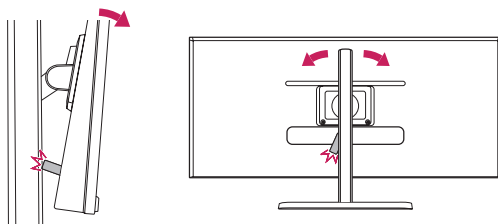
29EA73



29EB73



NOTE

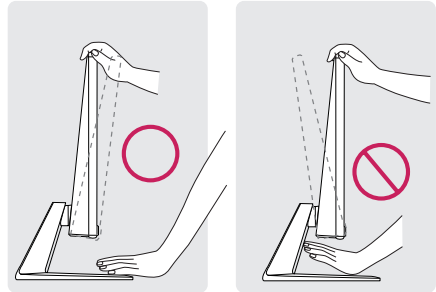


- As shown in the picture, be careful not to let the USB bump into the stand when you adjust the monitor's angle with the USB inserted.

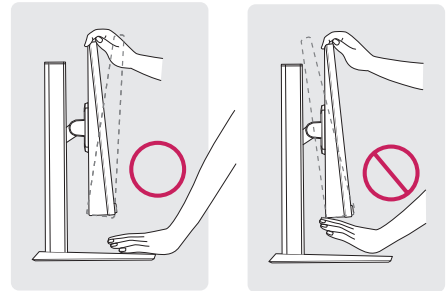
WARNING

- To avoid injury to the fingers when adjusting the screen, do not hold the lower part of the monitor's frame as illustrated below.

29EA73

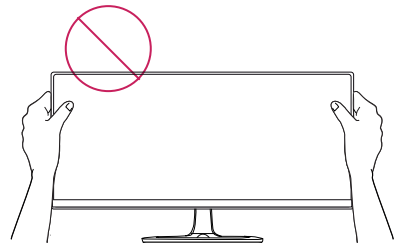


29EB73

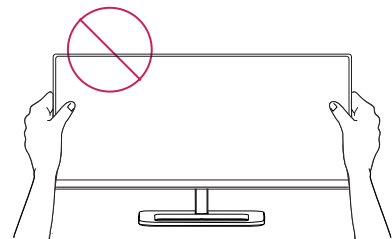


- Be careful not to touch or press the screen area when adjusting the angle of the monitor.

29EA73



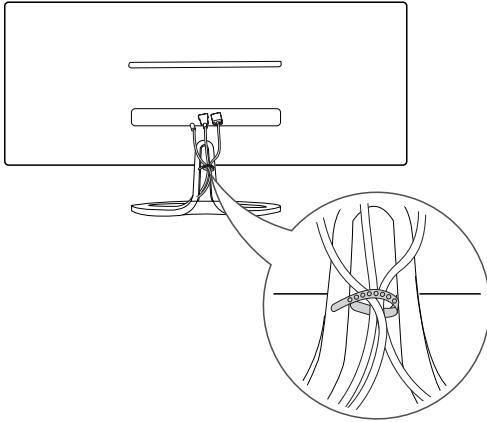
29EB73



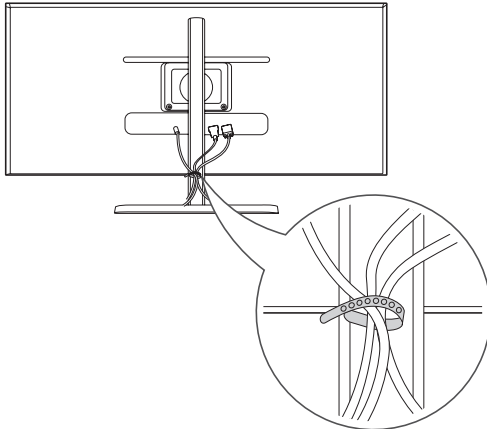
Tidying cables

Gather and bind the cables with the supplied cable tie.

29EA73



29EB73



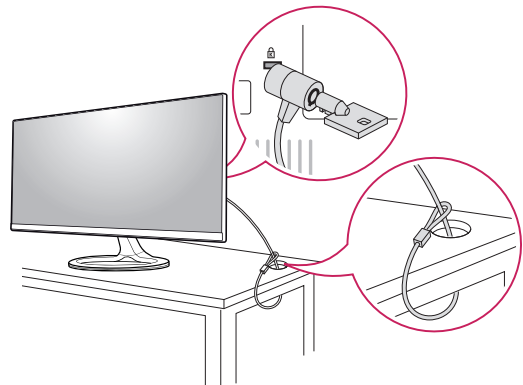
Using the Kensington lock

The connector for the Kensington lock is located at the rear of the monitor.

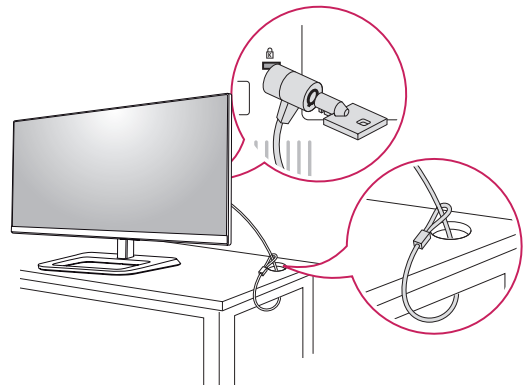
For more information on installation and usage, refer to the Kensington lock user manual or visit the website at <http://www.kensington.com>.

Connect the monitor to the table with the Kensington lock cable.

29EA73



29EB73



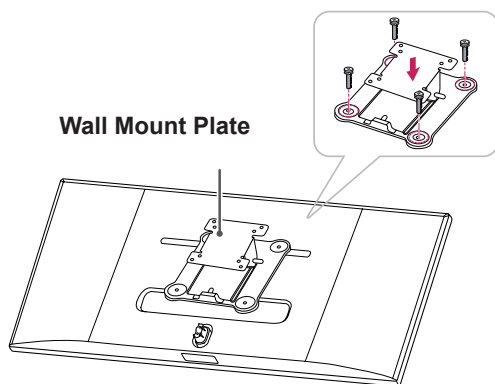
! NOTE

- Use of the Kensington lock is optional. The accessories can be purchased at your local electronics store.

Installing the wall mount plate

This monitor supports the specification of the standard wall mount plate or compatible device.

- 1 Place the screen face down. To protect the screen from scratches, cover the surface with a soft cloth.
- 2 Place the wall mount plate onto the monitor and align it with the screw holes.
- 3 Using a screwdriver, tighten the four screws to fix the plate onto the monitor.

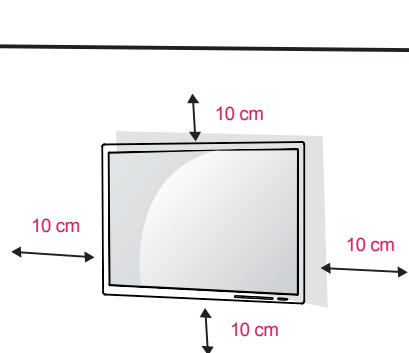


! NOTE

- The wall mount plate is sold separately.
- For more information on installation, refer to the wall mount plate's installation guide.
- Be careful not to use excessive force when mounting the wall mount plate, as this can damage the monitor's screen.

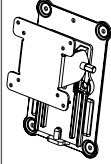
Installing to a wall

Install the monitor at least 10 cm away from the wall and leave about 10 cm of space at each side of the monitor to ensure sufficient ventilation. Detailed installation instructions can be obtained from your local retail store. Please refer to the manual to install and set up a tilting wall mounting bracket.



To install the monitor to a wall, attach a wall mounting bracket (optional) to the back of the monitor. Make sure that the wall mounting bracket is securely fixed to the monitor and to the wall.

- 1 Use the screws and wall mounting bracket that comply with the VESA standard.
- 2 Screws which are longer than the standard length may damage the inside of the monitor.
- 3 A non-VESA standard screw may damage the product and cause the monitor to fall. LG Electronics is not liable for any accidents relating to the use of non-standard screws.
- 4 The monitor is VESA standard compliant.
- 5 Use it according to the VESA standard as specified below.
 - 784.8 mm or less
 - * Thickness of the wall mount plate: 2.6 mm
 - * Fastening screw: Diameter 4.0 mm x Pitch 0.7 mm x Length 10 mm
 - 787.4 mm or greater
 - * Use the wall mount plate and screws that conform to the VESA standard.

VESA (A x B)	100 x 100
Stand Screw	M4
Required Screws	4
Wall Mount Plate (Optional)	RW120 

**CAUTION**

- Unplug the power cord before moving or installing the monitor to avoid electric shocks.
- Installing the monitor on the ceiling or on a slanted wall may result in the monitor falling off, which could lead to injury. Please use the genuine LG wall mounting bracket. For more information, contact your local retail store or a qualified installer.
- Applying excessive force when fastening screws may cause damage to the monitor. Damage caused in this way will not be covered by the product warranty.
- Use the wall mounting bracket and screws that conform to the VESA standard. Damage caused by the use or misuse of inappropriate components will not be covered by the product warranty.

**NOTE**

- Use the screws specified by the VESA standard.
- The wall mount kit includes the installation guide and all necessary parts.
- The wall mounting bracket is optional. The accessories can be purchased at your local retail store.
- The length of the screw may differ for each wall mounting bracket. Ensure the correct length screw is used.
- For more information, please refer to the user manual for the wall mounting bracket.

USING THE MONITOR

Connecting to a PC

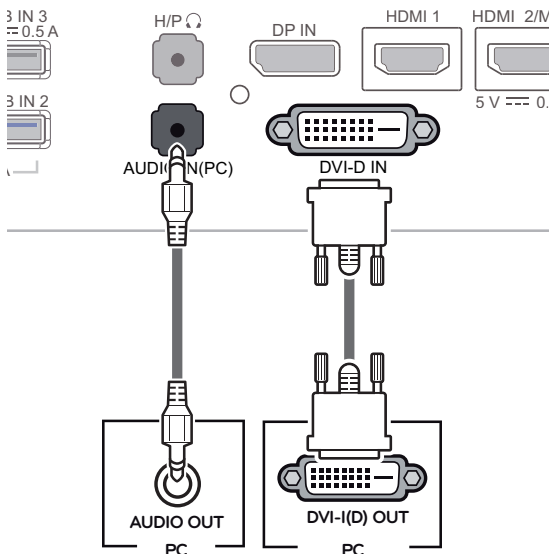
- This monitor supports the *Plug and Play feature.
- *Plug and Play: A feature that allows you to add a device to your computer without having to reconfigure anything or install any manual drivers.

DVI connection

Transmits digital video signals to the monitor. Connect the monitor using the DVI cable as illustrated below.

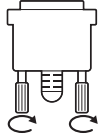
Press the menu (■) button and then select the input option from the input menu.

To hear the sound in DVI input mode, connect the PC's AUDIO OUT port to the monitor's AUDIO IN (PC) port using the audio cable that came with the product.



CAUTION

- Connect the input signal cable and turn in the direction of the arrow. To prevent disconnection secure the cable tightly.
- Do not press on the screen for a prolonged period of time. This may cause image distortion.
- Do not display a still image on the screen for a prolonged period of time. This may cause image retention. If possible, use the screen saver.



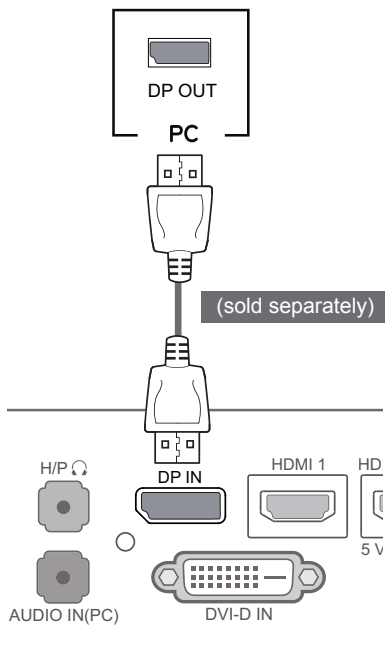
NOTE

- When connecting the power cord to the outlet, use a grounded (3-hole) multi-socket or a grounded power outlet.
- The monitor may flicker when turned on in an area of low temperature. This is normal.
- Sometimes red, green, or blue spots may appear on the screen. This is normal.
- Using a DVI to HDMI cable may cause compatibility issues.

DisplayPort connection

Transmits the digital video and audio signals from your PC to the monitor. Connect your PC to the monitor using the display port cable as illustrated below.

Press the menu (⏏) button and then select the input option from the input menu.



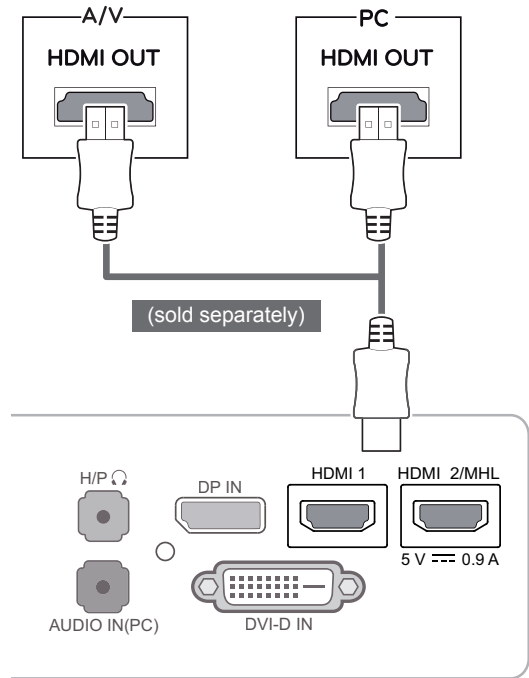
NOTE

- There may be no video or audio output depending on the DP version of the PC.
- The DisplayPort cable may not be available in some areas.

HDMI connection

Transmits the digital video and audio signals from your PC and A/V devices to the monitor. Connect your PC and AV device to the monitor with the HDMI cable as illustrated below.

Press the menu (⏏) button and then select the input option from the input menu.



NOTE

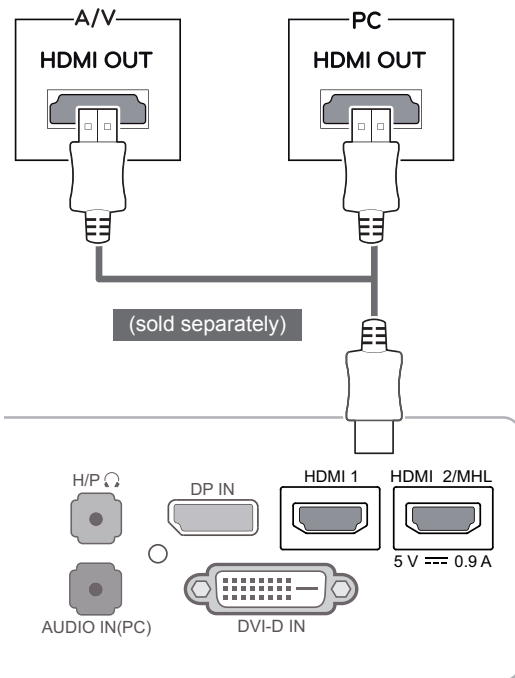
- HDMI PC may cause device compatibility issues.
- Using a DVI to HDMI cable may cause compatibility issues.

Connecting to AV Devices

HDMI connection

Transmits the digital video and audio signals from your PC and A/V devices to the monitor. Connect your PC and AV device to the monitor with the HDMI cable as illustrated below.

Press the menu (⏏) button and then select the input option from the input menu.



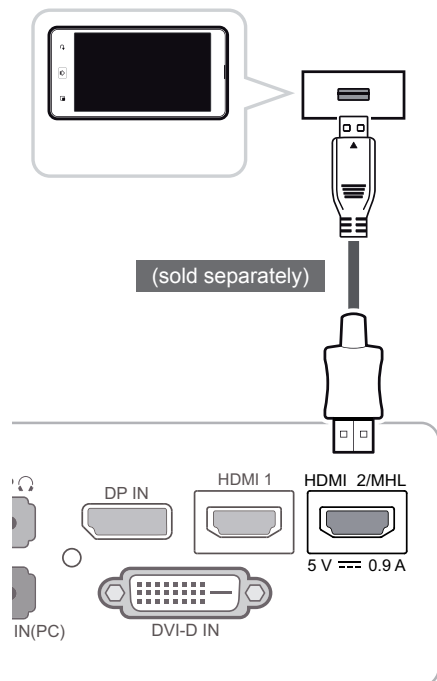
NOTE

- Using a DVI to HDMI cable may cause compatibility issues.

Connecting to External Devices

Smartphone (MHL) connection

Mobile High-definition Link (MHL) is an interface that allows you to play video and audio from your smartphone on the monitor by connecting the monitor to your smartphone. Connect the smartphone to the **HDMI2/MHL** port of the monitor using the supplied **MHL signal cable** and switch the input by pressing the input button on the monitor.



NOTE

- This function only works for smartphones that support MHL.
- There may be compatibility issues with other mobile phones.

USB cable-PC connection

The USB 3.0 function acts as a USB hub on the product.

To use USB 3.0, connect the A-B type USB 3.0 cable for the product to the PC.

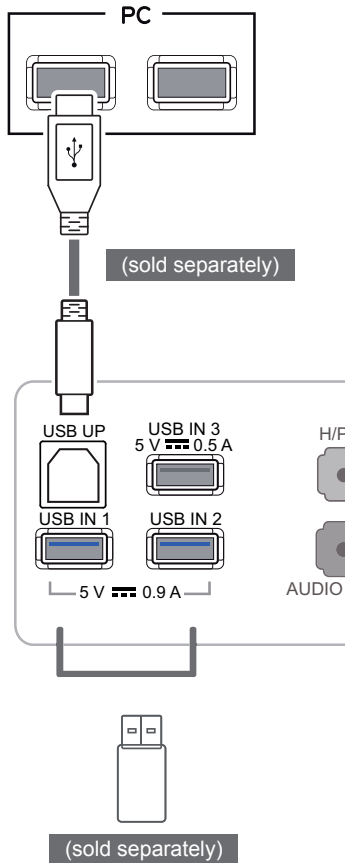
Peripheral devices connected to the USB IN port can be controlled from the PC.

NOTE

- Please install the latest Windows service pack before use.
- Peripheral devices are sold separately.
- The USB ports can be used to connect the keyboard, mouse, and other USB devices.

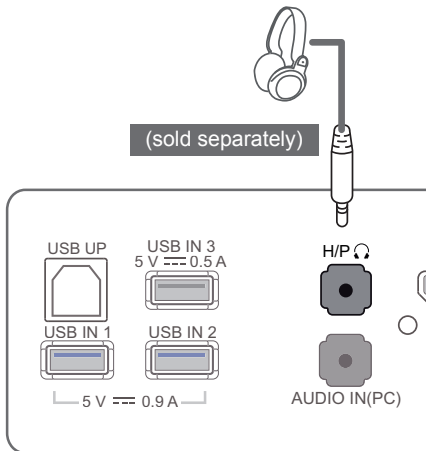
CAUTION

- <Cautions When Using a USB Device>
- A USB device with an automatic recognition program installed, or using its own driver, may not be recognized.
 - Some USB devices may not be supported or may not work properly.
 - It is recommended to use a USB hub or hard disk drive with power supplied. (If the power supply is not adequate, the USB device may not be recognized properly.)



Headphone port connection

Use the headphone port to connect a peripheral device to the monitor. Connect as illustrated.



! NOTE

- For an angle plug earphone, it is difficult to connect it with a peripheral device, so use a straight type.



Angle Type



Straight Type

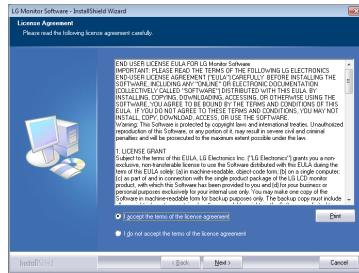
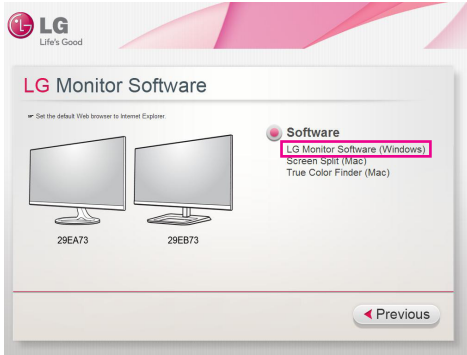
! NOTE

- Depending on the audio settings of the PC and external device, headphone and speaker functions may be limited.

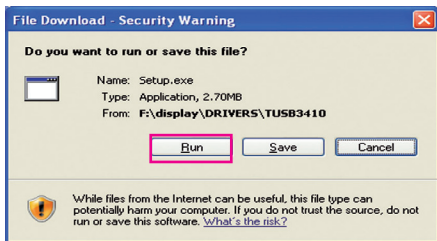
INSTALLING LG MONITOR SOFTWARE

Insert the the owner's manual CD included in the product package into your PC's CD driver and install the LG Monitor Software.

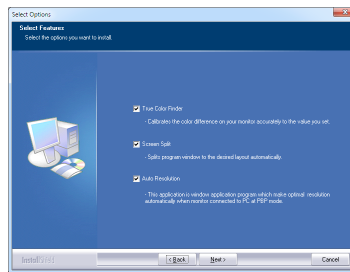
- 1 Set the default Web browser to Internet Explorer.
- 4 Check "I accept the terms of the agreement" on the License Agreement screen and then click the [Next] button.



- 2 Click the "LG Monitor Software" on the CD's main screen. When the file download window appears, click the Run button. (The file download window may vary depending on the operating system and the Internet Explorer version, but the installation procedures are same.)



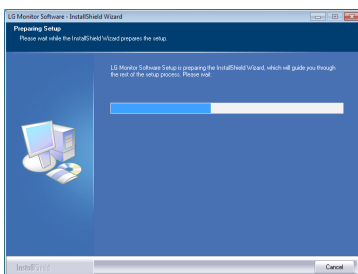
- 5 Select the program that you want to install.



CAUTION

- Service Pack 1 or higher is required for Window 7.

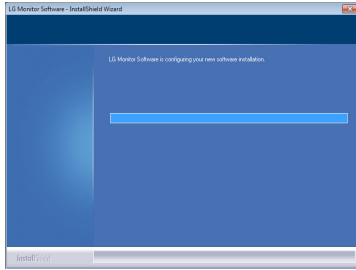
- 3 Follow the instructions to proceed with the installation.



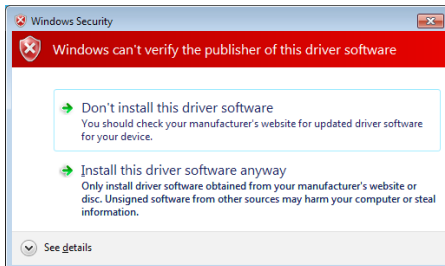
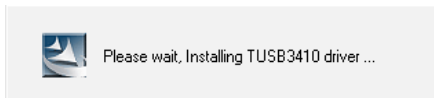
NOTE

- Screen Split: This program automatically splits the program window as desired.
- True Color Finder: This program calibrates the precise color output of the monitor to suit your needs.
- Auto Resolution: This is a program that automatically changes the resolution to the optimal settings when connecting the monitor to the PC in PBP mode.
 - ※ This program is not supported in Clone Mode.
 - ※ Extended Mode is not supported when using a single display.

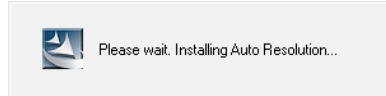
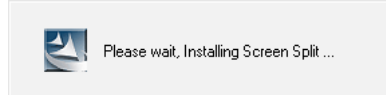
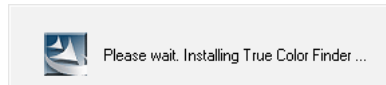
- 6 The LG Monitor Software installation starts as shown below.



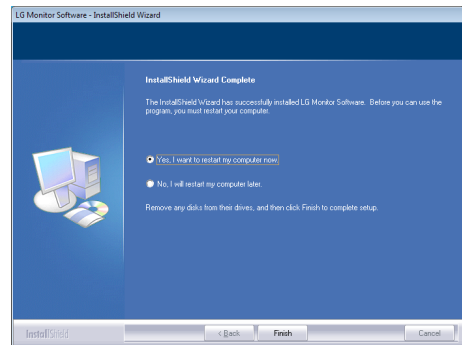
- 7 If the TUSB3410 driver has not been installed, it will install automatically. Select "Install this driver software anyway (I)" if the Windows security message is displayed as below.




- 8 The program you selected on the Select Features page will install automatically.

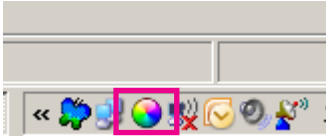


- 9 When the installation is complete, restart your system.

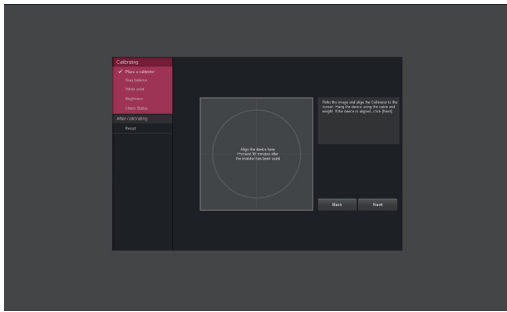


NOTE

When you run the True Color Finder software, the True Color Finder icon  appears in the system tray at the right bottom of the PC screen.




Right-click the True Color Finder icon and select "Start Program" to start the program.



NOTE

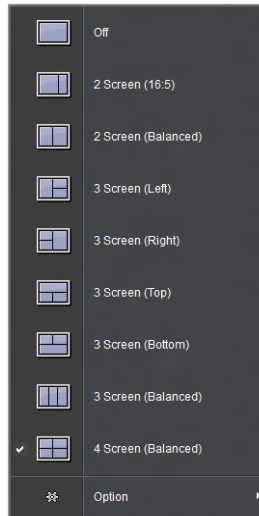
- To use the True Color Finder function, you must purchase the supported calibrator.
- For details on supported calibrators and graphic cards, see the True Color Finder user guide.
- If you have changed the input port, it is recommend that you calibrate the monitor's picture quality again.

NOTE

If you run Screen Split, the Screen Split icon  appears in the system tray at the right bottom of the PC screen.



Right-click the Screen Split icon and select a layout you want.



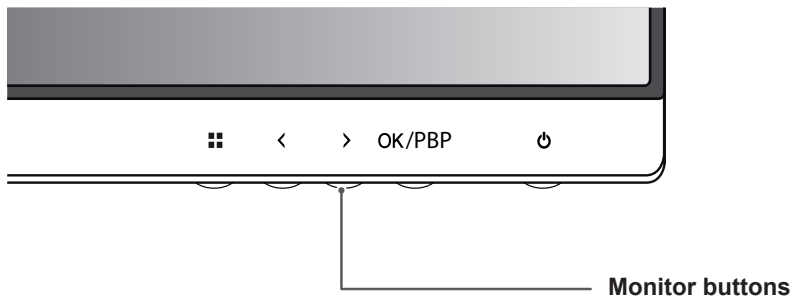
CAUTION

- Once you have completed the monitor calibration with the True Color Finder software, remove the calibrator from the monitor and store it at room temperature away from direct sunlight or put it in the box.
 - If the calibrator's measuring part is exposed to direct sunlight for a long time, this may cause damage to the calibrator.
 - Do not store it in an environment with too low/high temperature and high humidity.
- If any third-party calibration application is already installed on your PC, the image quality may be affected by a conflict between the two applications. For the best performance, it is recommended to uninstall the other calibration application.

CUSTOMIZING SETTINGS

Activating the Main Menu

- 1 Press the **Menu** (⌘) button.
- 2 Use the <, > buttons to adjust the options.
To return to the upper menu or set other menu items, use the **Menu** (⌘) button.
- 3 Press and hold the **Menu** (⌘) button to exit the OSD menu.



Button	Description	
Menu (⌘)	If the menu is disabled	Enables the main menu.
	If the menu is enabled	Goes to the previous screen when the button is pressed; exits the OSD menu when the button is pressed and held for over 3 seconds.
<	If the menu is disabled	Adjusts the volume level of the monitor.
	If the menu is enabled	Left directional key
>	If the menu is disabled	Adjusts the volume level of the monitor.
	If the menu is enabled	Right directional key
OK/PBP	If the menu is enabled	Selects the function.
	If the menu is disabled	Enables the PBP shortcut menu.
⏻ (Power Button)	Powers on or off.	
	Power Indicator	When the monitor is in operating mode, the power indicator will turn red (powered on). When the monitor is in power-saving mode, the power indicator will blink red.

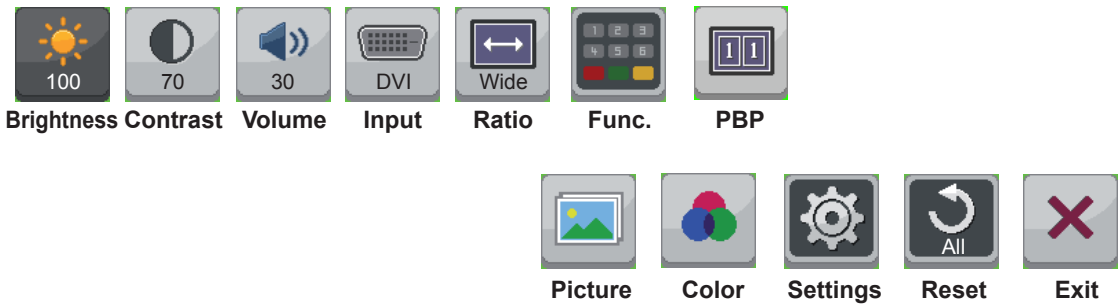
! NOTE

All of the buttons are touch sensitive and can be operated by simply touching the bottom of the monitor with your finger.

Customizing settings

Menu Settings

- 1 To view the **Menu** OSD, press the **Menu** (⏏) button at the bottom of the monitor.
- 2 Use the < or > buttons to set the options.
- 3 Select **X** to exit the OSD menu.
To return to the upper menu or set other menu items, use the **Menu** (⏏) button.



Each option is described below.

Menu	Description
Brightness	Adjusts the color contrast and brightness of the screen.
Contrast	
Volume	Adjusts the volume.
	<div style="border: 1px solid black; padding: 5px;"> <p>NOTE</p> <ul style="list-style-type: none"> • Selecting the OK/PBP button in the Volume menu will enable/disable the Mute function. </div>
Input	Selects the current input mode.
Ratio	Adjusts the screen ratio.
Func.	Adjusts ECO, calibration, and picture modes.
PBP	Displays the screens of two input modes on one monitor.
Picture	Adjusts the sharpness, black level, and response time of the screen.
Color	Adjusts gamma, color temperature, and color.
Settings	Sets Language, PC/AV Mode, Main Audio, Button Sound, Power Indicator, DP 1.2, and OSD Lock.
Reset	Returns to the default settings.
Exit	Exits the OSD menu.

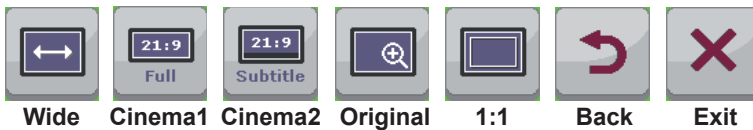
Ratio Settings

- 1 To view the **Menu** OSD, press the **Menu** (⏏) button at the bottom of the monitor.
- 2 Press < or > to go to **Ratio**.
- 3 Press **OK/PBP** to select **Ratio**.
- 4 Use the < or > buttons to set the options.
- 5 Select **X** to exit the OSD menu.



To return to the upper menu or set other menu items, use the **Menu** (⏏) button.

Sub Menu



Each option is described below.

Menu > Ratio	Description
Wide	Displays the video in wide-screen, regardless of the video signal input.
Cinema1	Enlarges the screen with an aspect ratio of 21:9. (at 1080p)
Cinema2	Enlarges the screen with an aspect ratio of 21:9 including the black box area at the bottom for subtitles. (at 1080p)
Original	Displays a video according to the input video signal aspect ratio.
1:1	The aspect ratio is not adjusted from the original.
Back	Moves to the previous OSD screen.
Exit	Exits the OSD menu.

NOTE

- The display may look the same for Wide, Original and 1:1 options at the recommended resolution (2560 x 1080).
- The ratio is disabled in the interlaced signal.

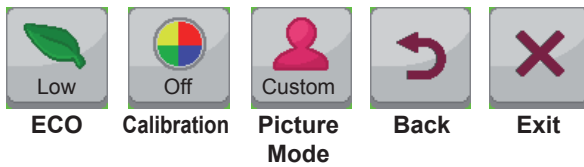
Func. Settings

- 1 To view the **Menu** OSD, press the **Menu** (■) button at the bottom of the monitor.
- 2 Press < or > to go to **Func.**
- 3 Press **OK/PBP** to select **Func.**
- 4 Use the < or > buttons to set the options.
- 5 Select **X** to exit the OSD menu.
To return to the upper menu or set other menu items, use the **Menu** (■) button.



Func.

Sub Menu



Each option is described below.

Menu > Func.	Description	
ECO	High	Saves energy by using the high-efficiency ECO function.
	Low	Saves energy by using the low-efficiency ECO function.
	Off	Disables the ECO function.
Calibration	On	Enables the calibration applied to the monitor.
	Off	If it is set to Off, the monitor reverts back to the picture quality set before calibration.
<div style="border: 1px solid black; padding: 10px;"> NOTE Run the True Color Finder program. </div>		
Picture Mode	Changes depending on the value of PC/AV Mode in Menu > Settings.	
	PC Mode	
	Custom	Allows the user to adjust each element. The color mode of the main menu can be adjusted.
	Text	Optimizes the screen for document processing.
	Photo	Optimizes the screen to view photos.
	Cinema	Optimizes the screen to improve the visual effects of a video.
	Game	Optimizes the screen for gameplay.
	AV Mode	
	Custom	Allows the user to adjust each element. The color mode of the main menu can be adjusted.
	Standard	Optimizes the screen to display normal picture quality.
	VIVID 1	Optimizes the screen for vivid visual effects.
	VIVID 2	Optimizes the screen for more vivid visual effects.
Cinema	Optimizes the screen to improve the visual effects of a video.	
Back	Moves to the previous OSD screen.	
Exit	Exits the OSD menu.	

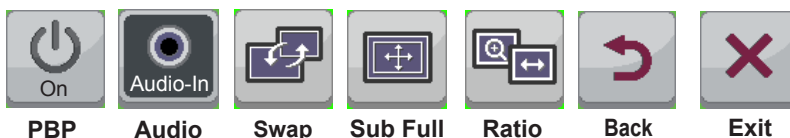
PBP settings

- 1 To view the **Menu** OSD, press the **Menu** (⏏) button at the bottom of the monitor.
- 2 Press < or > to go to **PBP**.
- 3 Press **OK/PBP** to select **PBP**.
- 4 Use the < or > buttons to set the options.
- 5 Select **X** to exit the OSD menu.
To return to the upper menu or set other menu items, use the **Menu** (⏏) button.



PBP

Sub Menu



PBP

Audio

Swap

Sub Full

Ratio

Back

Exit

Each option is described below.

Menu > PBP	Description		
PBP	Displays the screens of two input modes on one monitor. (DVI+DP, HDMI1+DP, HDMI2+DP, DP+DVI, DP+HDMI1, DP+HDMI2)		
Audio	Changes the audio output in PBP mode.		
Swap	Toggles between the main screen and sub screen in PIP mode.		
Sub Full	Converts the sub screen of PBP mode to the wide screen.		
Ratio	Adjusts the aspect ratio of the main screen or sub screen.		
	Main	Wide	Displays the video to fit the PBP screen, regardless of the video signal input.
		Original	Displays the video in the input video signal aspect ratio on the PBP screen.
	Sub	Wide	Displays the video to fit the PBP screen, regardless of the video signal input.
Original		Displays the video in the input video signal aspect ratio on the PBP screen.	
Back	Moves to the previous OSD screen.		
Exit	Exits the OSD menu.		



NOTE

- When the PBP mode is Off, Audio, Swap, Sub Full, and Ratio menus become deactivated. The Main/Sub options for Ratio become deactivated if there is no signal.

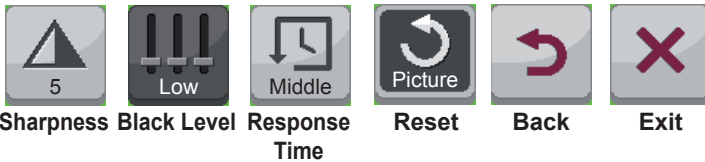
Picture

- 1 To view the **Menu** OSD, press the **Menu** (⏏) button at the bottom of the monitor.
- 2 Press < or > to go to **Picture**.
- 3 Press **OK/PBP** to select **Picture**.
- 4 Use the < or > buttons to set the options.
- 5 Select **X** to exit the OSD menu.
To return to the upper menu or set other menu items, use the **Menu** (⏏) button.



Picture

Sub Menu



Sharpness Black Level Response Time Reset Back Exit

Each option is described below.

Menu > Picture	Description	
Sharpness	Adjusts the sharpness of the screen.	
Black Level	Sets the offset level (for HDMI only). Offset: as a reference for a video signal, this is the darkest color the monitor can display.	
	High	The picture of the screen gets brighter.
	Low	The picture of the screen gets darker.
Response Time	Sets a response time for displayed pictures based on the speed of the screen. For a normal environment, it is recommended that you use Normal. For a fast-moving picture, it is recommended that you use High. Setting to High may cause image sticking.	
	High	Sets the response time to High.
	Middle	Sets the response time to Middle.
	Low	Sets the response time to Low.
Reset	Resets the Picture function to the default settings.	
Back	Moves to the previous OSD screen.	
Exit	Exits the OSD menu.	

Color

- 1 To view the **Menu** OSD, press the **Menu** (■) button at the bottom of the monitor.
- 2 Press < or > to go to **Color**.
- 3 Press **OK/PBP** to select **Color**.
- 4 Use the < or > buttons to set the options.
- 5 Select **X** to exit the OSD menu.
To return to the upper menu or set other menu items, use the **Menu** (■) button.



Color

Sub Menu



Each option is described below.

Menu > Color	Description	
Gamma	Custom gamma setting: When using the gamma 0, gamma 1, and gamma 2 monitor settings, higher gamma settings mean a brighter image is displayed and vice versa.	
Color Temp	Custom	
	Red Green Blue	You can customize the picture color using Red, Green, and Blue colors.
Six Color	Selects the factory default picture color. Warm: Sets the screen color to a reddish tone. Medium: Sets the screen color between a red and blue tone. Cool: Sets the screen color to a bluish tone.	
	Hue	Meets the user requirements for colors through adjusting the color and saturation of the six colors (red, green, blue, cyan, magenta, yellow) and saving the settings. Adjusts tone of the screen.
	Satura- tion	Adjusts the saturation of the screen colors. The lower the value, less saturated and bright the colors become. The higher the value, the more saturated and dark the colors become.
Reset	Returns the color settings to the default settings.	
Back	Moves to the previous OSD screen.	
Exit	Exits the OSD menu.	

Settings

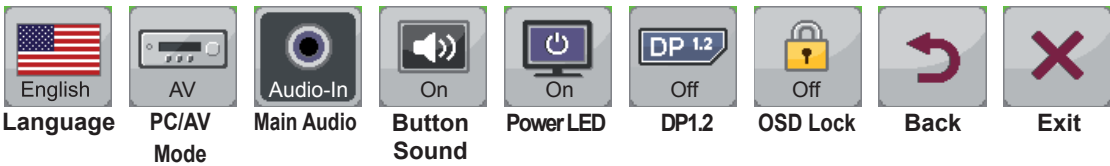
- 1 To view the **Menu OSD**, press the **Menu** (⏏) button at the bottom of the monitor.
- 2 Press < or > to go to **Settings**.
- 3 Press **OK/PBP** to select **Settings**.
- 4 Use the < or > buttons to set the options.
- 5 Select **X** to exit the OSD menu.



Settings

To return to the upper menu or set other menu items, use the **Menu** (⏏) button.

Sub Menu



Each option is described below.

Menu > Settings	Description				
Language	Sets the menu screen to the desired language.				
PC/AV Mode	Enabled in HDMI mode only.				
Main Audio	The sound coming through the Audio In port of the digital input signal (HDMI, HDMI2/MHL, Display Port) can be heard through the monitor's speakers.				
Button Sound	Controls the button tone. The button tone is heard for the following actions. DC Power On/Off Menu OSD On/Off				
Power LED	Turns the power indicator on the front side of the monitor on/off. <table border="1"> <tr> <td>On</td> <td>The power indicator is automatically turned on.</td> </tr> <tr> <td>Off</td> <td>The power indicator is turned off.</td> </tr> </table>	On	The power indicator is automatically turned on.	Off	The power indicator is turned off.
On	The power indicator is automatically turned on.				
Off	The power indicator is turned off.				
DP1.2 (DisplayPort1.2)	Activates or deactivates DisplayPort 1.2. <div style="border: 1px solid black; padding: 5px; margin-top: 10px;"> <p>NOTE</p> <p>Make sure to activate or deactivate according to the DisplayPort version supported by the graphics card. Set it to off if it is not compatible with the graphics card.</p> </div> <table border="1"> <tr> <td>On</td> <td>DisplayPort 1.2 is activated.</td> </tr> <tr> <td>Off</td> <td>DisplayPort 1.2 is deactivated.</td> </tr> </table>	On	DisplayPort 1.2 is activated.	Off	DisplayPort 1.2 is deactivated.
On	DisplayPort 1.2 is activated.				
Off	DisplayPort 1.2 is deactivated.				
OSD Lock	Prevents incorrect key input. <table border="1"> <tr> <td>On</td> <td>Key input is disabled.</td> </tr> <tr> <td>Off</td> <td>Key input is enabled.</td> </tr> </table> <div style="border: 1px solid black; padding: 5px; margin-top: 10px;"> <p>NOTE</p> <p>All functions except for the OSD Lock mode and the Exit button for Brightness, Contrast, Volume, Input, and Settings are disabled.</p> </div>	On	Key input is disabled.	Off	Key input is enabled.
On	Key input is disabled.				
Off	Key input is enabled.				
Back	Moves to the previous OSD screen.				
Exit	Exits the OSD menu.				

TROUBLESHOOTING

Nothing is displayed on the screen.	
Is the monitor's power cord plugged in?	<ul style="list-style-type: none"> • Check if the power cord is correctly plugged in to the power outlet.
Is the power indicator on?	<ul style="list-style-type: none"> • Check the power cable connection and press the power button.
Is the power indicator displaying red?	<ul style="list-style-type: none"> • Check that the connected input is enabled (Menu - Input).
Is the power indicator blinking?	<ul style="list-style-type: none"> • If the monitor is in power-saving mode, move the mouse or press any key on the keyboard to switch the display on. • Check if the computer is turned on.
Is the "OUT OF RANGE" message displayed?	<ul style="list-style-type: none"> • This occurs when signals transferred from the PC (video card) are out of the horizontal or vertical frequency range of the monitor. Please see the "Product Specification" section of this manual to set the appropriate frequency.
Is the "CHECK SIGNAL CONNECTION" message displayed?	<ul style="list-style-type: none"> • This is displayed when the signal cable between the PC and the monitor is missing or disconnected. Check the cable and reconnect.

The "OSD LOCKED" message is displayed.	
Are some functions unavailable when pressing the Menu button?	<ul style="list-style-type: none"> • The OSD is locked. Go to Menu > Settings and set "OSD Lock" to Unlock.

The screen retains an image.	
Does image sticking occur even when the monitor is turned off?	<ul style="list-style-type: none"> • Displaying a still image for a prolonged time may cause damage to the screen, resulting in the retention of the image. • Use a screen saver to protect the screen when using the monitor for a prolonged period of time.

NOTE

- **Vertical Frequency:** In order to display an image, the screen must be refreshed dozens of times per second like a fluorescent lamp. The number of times the screen is refreshed per second is called vertical frequency or refresh rate and is represented by Hz.
- **Horizontal Frequency:** The time it takes to display one horizontal line is called the horizontal cycle. The number of horizontal lines displayed in one second can be calculated by dividing one by the horizontal cycle. This is called horizontal frequency and is represented by kHz.

! NOTE

- Check if the video card's resolution or frequency is within the range allowed by the monitor and set to the recommended (optimal) resolution in **Control Panel > Display > Settings**.
- Failing to set the video card to the recommended (optimal) resolution may result in blurred text, a dimmed screen, a truncated display area or misalignment of the display.
- The configuration procedure may differ depending on your computer and/or operating system. Also, some video cards may not support certain resolutions. If this is the case, contact the manufacturer of the computer or video card for assistance.
- Some video cards may not support the 2560x1080 resolution.
If the resolution cannot be displayed, contact the manufacturer of your video card.

The display color is abnormal.

Does the display appear discolored (16 color)?	<ul style="list-style-type: none"> • Set the color to 24 bit (true color) or higher. In Windows, go to Control Panel > Display > Settings > Color Quality.
Does the display color appear unstable or in monochrome?	<ul style="list-style-type: none"> • Check if the signal cable is connected properly. Reconnect the cable or reinsert the PC's video card.
Are there spots on the screen?	<ul style="list-style-type: none"> • When using the monitor, pixilated spots (red, green, blue, white or black) may appear on the screen. This is normal for the LCD screen. It is not an error nor is it related to the monitor's performance.

SPECIFICATIONS

29EA73

29EB73

LCD Screen	Type	29" class (29.0" diagonal) TFT (Thin Film Transistor) LCD (Liquid Crystal Display) Screen Diagonal length of the screen: 73.025 cm
	Pixel Pitch	0.0876 mm x 0.2628 mm
Resolution	Maximum Resolution	2560 x 1080 @ 60 Hz
	Recommended Resolution	2560 x 1080 @ 60 Hz
Video Signal	Horizontal Frequency	30 kHz to 90 kHz
	Vertical Frequency	56 Hz to 75 Hz
	Synchronization	Separate Sync.
Input Connector	DVI-D, HDMI 1, HDMI 2(MHL), DisplayPort, Audio In(PC), H/P Out, USB Up, USB In 1, 2, 3	
Power	Voltage	19 V --- 3.3 A
	Power consumption (Typ.)	On mode: 48 W (Typ, without USB) 68 W (Max, with USB, Audio 50%) Power Saving Mode ≤ 1.2 W Off Mode ≤ 0.5 W
AC/DC adaptor	DA-65G19 type, APD production. Output: 19 V --- 3.42 A	
Stand Angle Adjustment	Forwards/Backwards: -5° to 20° (Head)	
Environmental Conditions	Operating Condition	Temperature: 10°C to 35°C; Humidity: 10% to 80%
	Storing Condition	Temperature: -20°C to 60°C; Humidity: 5% to 90%
Speaker Wattage	7W + 7W	

29EA73

Dimension	Monitor Size (Width x Height x Depth)	
	With Stand	699.7 mm x 397.0 mm x 197.2 mm
	Without Stand	699.7 mm x 318.0 mm x 68.5 mm
Weight (Without Packaging)	5.9 kg	

29EB73

Dimension	Monitor Size (Width x Height x Depth)	
	With Stand	699.7 mm x 395.3 mm x 225 mm
	Without Stand	699.7 mm x 318.0 mm x 68.5 mm
Weight (Without Packaging)	6.8 kg	

The specifications are subject to change without notice.

Factory support mode (Preset Mode, DVI-D/HDMI/PC DisplayPort)

Preset Mode	Horizontal Frequency (kHz)	Vertical Frequency (Hz)	Polarity (H/V)	Remarks
720 x 400	31.468	70.08	-/+	
640 x 480	31.469	59.94	-/-	
640 x 480	37.5	75	-/-	
800 x 600	37.879	60.317	+/+	
800 x 600	46.875	75	+/+	
1024 x 768	48.363	60	-/-	
1024 x 768	60.123	75.029	+/+	
1152 x 864	67.5	75	+/+	
1280 x 720	45	60	+/+	
1280 x 1024	63.981	60.02	+/+	
1280 x 1024	79.976	75.025	+/+	
1600 x 900	60	60	+/+	
1680 x 1050	65.290	59.954	-/+	
1920 x 1080	67.5	60	+/-	
2560 x 1080	66.7	60	-/+	

HDMI/MHL Timing (Video)

Preset Mode	Horizontal Frequency (kHz)	Vertical Frequency (Hz)	Remarks
480P	31.50	60	
576P	31.25	50	
720P	37.50	50	
720P	45.00	60	
1080i	28.12	50	
1080i	33.75	60	
1080P	56.25	50	
1080P	67.50	60	
1080P	33.75	30	*MHL only

Power Indicator

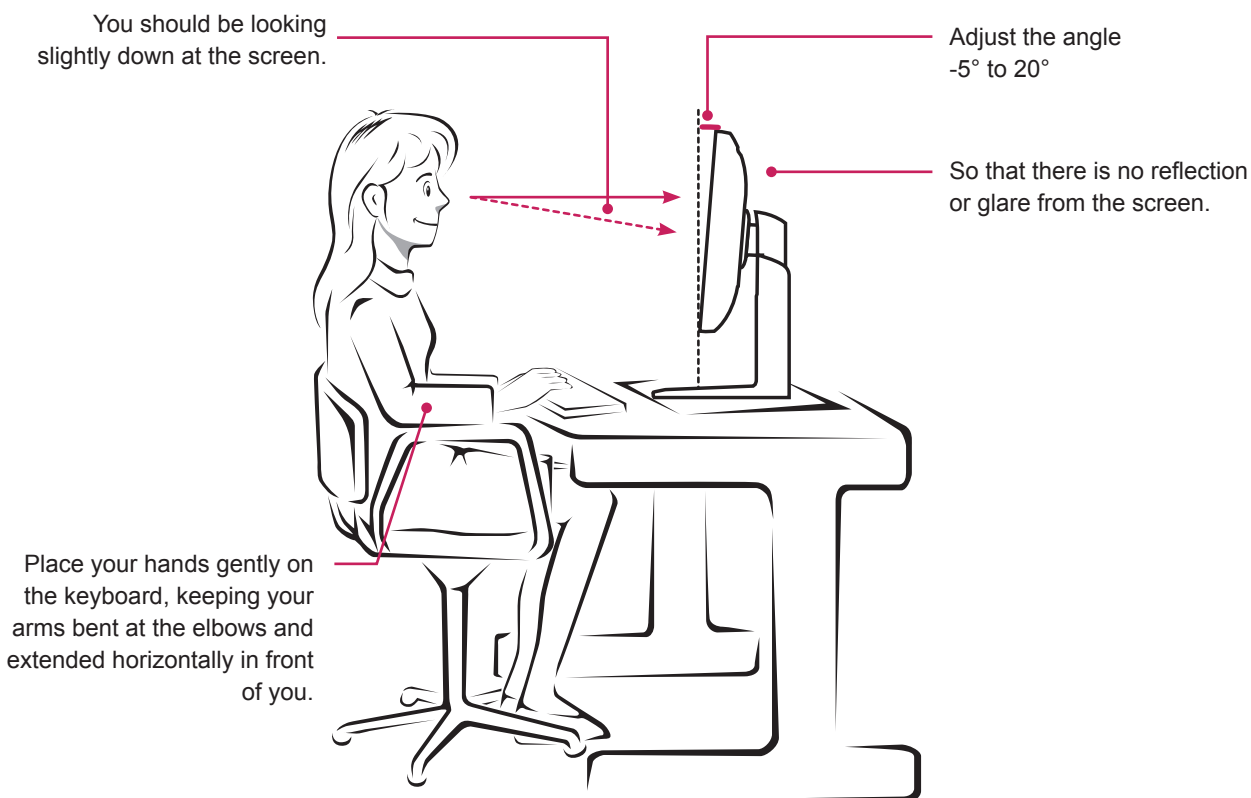
Mode	LED Color
On Mode	Red
Power-saving	Blinking in red
Off Mode	Off

PROPER POSTURE

Proper Posture for Using the Monitor

Adjust the screen so that you can comfortably view at a slight downward angle from your natural eye level.

- Take a break for approximately ten minutes every hour to reduce any fatigue caused by long-time usage.
- The stand of the touch monitor allows the product to be used in the optimum position. Adjust the stand angle from -5° to 20° to obtain the best view of the screen.





Declaration of Conformity

Trade Name: LG
Model: **
Responsible Party: LG Electronics Inc.
Address: 1000 Sylvan Ave.
Englewood Cliffs NJ 07632
U.S.A
TEL: 201-266-2534

(** 29EA73,29EB73)

Make sure to read the Safety Precautions before using the product.

Keep the Owner's Manual(CD) in an accessible place for future reference.

The model and serial number of the SET is located on the back and one side of the SET. Record it below should you ever need service.

MODEL _____

SERIAL _____

ENERGY STAR is a set of power-saving guidelines issued by the U.S.Environmental Protection Agency (EPA).



As an ENERGY STAR Partner LGE USA, Inc. has determined that this product meets the ENERGY STAR guidelines for energy efficiency.

Free Manuals Download Website

<http://myh66.com>

<http://usermanuals.us>

<http://www.somanuals.com>

<http://www.4manuals.cc>

<http://www.manual-lib.com>

<http://www.404manual.com>

<http://www.luxmanual.com>

<http://aubethermostatmanual.com>

Golf course search by state

<http://golfingnear.com>

Email search by domain

<http://emailbydomain.com>

Auto manuals search

<http://auto.somanuals.com>

TV manuals search

<http://tv.somanuals.com>