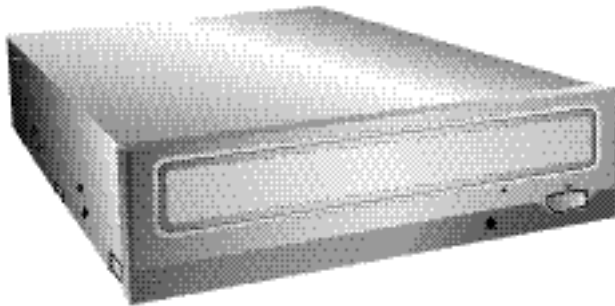




# Super Multi DVD Drive

# **SERVICE MANUAL**

**MODEL: GSA-4165B/  
GSA-4167B/  
GSA-4168B**



P/NO : 3828HS1047G

August 2005  
Printed in Korea

**MODEL : GSA-4165B/GSA-4167B/GSA-4168B**

# TABLE OF CONTENTS

<b>INTRODUCTION .....</b>	<b>3</b>
<b>FEATURES.....</b>	<b>3-5</b>
<b>SPECIFICATIONS.....</b>	<b>6-9</b>
<b>LOCATION OF CUSTOMER CONTROLS .....</b>	<b>10-11</b>
<b>DISASSEMBLY .....</b>	<b>12-13</b>
1. CABINET and CIRCUIT BOARD DISASSEMBLY .....	12
1-1. Bottom Chassis.....	12
1-2. Front Bezel Assy.....	12
1-3. Cabinet and Main Circuit Board.....	12
2. MECHANISM ASSY DISASSEMBLY.....	12
2-1. Pick-up Unit.....	12
2-2. Pick-up .....	13
<b>EXPLODED VIEW .....</b>	<b>14-15</b>
<b>MECHANICAL REPLACEMENT PARTS LIST .....</b>	<b>16-18</b>
<b>GLOSSARY .....</b>	<b>19</b>
<b>THE DIFFERENCES OF CD-R/CD-RW DISCS AND GENERAL CD-ROM.....</b>	<b>20-26</b>
1. Recording Layer .....	20
2. Disc Specification .....	20
3. Disc Materials .....	21
4. Reading Process of Optical Disc.....	22
5. Writing Process of CD-R Disc .....	23
6. Writing Process of CD-RW Disc.....	23
7. Organization of the PCA, PMA and Lead-in Area .....	24
8. Function of PCA and PMA area .....	25
9. OPC and ROPC .....	25
10. Writing Process of DISC.....	26
<b>THE DIFFERENCES OF DVD-R/RW, DVD+R/RW DISCS AND DVD-ROM.....</b>	<b>27-35</b>
1. Recording Layer .....	27
2. Disc Specification .....	28
3. Disc Materials .....	28
4. Writing Pulse Waveform of DVD+R.....	31
5. Writing Pulse Waveform DVD+RW .....	33
6. Organization of Inner Drive Area, Outer Drive Area, Lead-in Zone and Lead-out Zone .....	34
<b>LightScribe MEDIA.....</b>	<b>36-39</b>
1. LightScribe Media.....	36
2. Hardware Block Diagram of LightScribe Label Printing.....	37
3. MD Assy For LightScribe.....	38
4. Optical Encoder Assy .....	39
<b>DVD &amp; CD DATA PROCESSING.....</b>	<b>40-43</b>
1. Data Processing Flow.....	40
2. Copy Protection and Regional Code Management Block .....	41
3. About Prevention the DVD-ROM from to be copy .....	42
4. About the DVD-ROM Regional Code .....	43
<b>INTERNAL STRUCTURE OF THE PICK-UP.....</b>	<b>44-46</b>
1. Block Diagram of the Pick-up(HOP-7632TS) .....	44
2. Pick up Pin Assignment.....	45
3. Signal detection of the P/U.....	46
<b>DESCRIPTION OF CIRCUIT .....</b>	<b>47-53</b>
1. ALPC Circuit .....	47
2. Focus Circuit.....	49
3. Tracking & Sled Circuit.....	50
4. Spindle Circuit .....	53
<b>MAJOR IC INTERNAL BLOCK DIAGRAM AND PIN DESCRIPTION.....</b>	<b>55-72</b>
<b>TROUBLESHOOTING GUIDE .....</b>	<b>73-90</b>
<b>BLOCK DIAGRAM .....</b>	<b>91</b>
<b>PRINTED CIRCUIT BOARD DIAGRAM .....</b>	<b>92-96</b>
<b>ELECTRICAL REPLACEMENT PARTS LIST .....</b>	<b>97</b>

<b>CAUTION - INVISIBLE LASER RADIATION WHEN OPEN AVOID EXPOSURE TO BEAM.</b>
--

# INTRODUCTION

This service manual provides a variety of service information.

It contains the mechanical structure of the Super Multi DVD Drive and the electronic circuits in schematic form. This Super Multi DVD Drive was manufactured and assembled under our strict quality control standards and meets or exceeds industry specifications and standards.

This Super Multi DVD drive is an internal drive unit designed for use with IBM PC, HP Vectra, or compatible computer. It can write as much as 700 Mbytes of digital data into CD-R/RW disc, and can read as much as 700 Mbytes of digital data stored in a CD-ROM/R/RW disc.

It can write as much as 4.7Gbytes of digital data into DVD-R/RW/RAM/+R/+RW disc, and can read as much as 4.7Gbytes of digital data stored in a DVD-ROM/R/RW/RAM/+R/+RW disc.

It can write as much as 8.5Gbytes of digital data into DVD+R DL/DVD-R DL disc, and can read as much as 8.5Gbytes of digital data stored in a DVD-ROM DL/+R DL/-R DL disc.

This Super Multi DVD Drive can easily meet the upcoming MPC level 3 specification, and its Enhanced Intelligent Device Electronics (E-IDE) and ATAPI interface allows Plug and play integration in the majority of today's PCs without the need of an additional interface card.

## 1. Support feature and writable disc

\*) Indicated write-in speed is a value at the time of the fastest operation.

	<b>G*A-4165B</b>					
	GSA	GMA	GWA	GRA	GCA	GDA
Light Scribe	x	x	x	x	x	x
CD-R	48x write	48x write	48x write	48x write	48x write	read only
CD-RW	32x write	32x write	32x write	32x write	32x write	read only
DVD-R	16x write	16x write	16x write	read only	16x write	16x write
DVD-RW	<b>4x or 6x write</b>	<b>4x or 6x write</b>	<b>4x or 6x write</b>	read only	<b>4x or 6x write</b>	<b>4x or 6x write</b>
DVD-R DL	4x write	4x write	4x write	read only	4x write	4x write
DVD+R	16x write	read only	16x write	16x write	read only	read only
DVD+RW	8x write	read only	8x write	8x write	read only	read only
DVD+R DL	<b>4x or 6x write</b>	read only	<b>4x or 6x write</b>	<b>4x or 6x write</b>	read only	read only
DVD-RAM	5x write	5x write	read only	read only	read only	5x write

	<b>G*A-4167B</b>					
	GSA	GMA	GWA	GRA	GCA	GDA
Light Scribe	x	x	x	x	x	x
CD-R	48x write	48x write	48x write	48x write	48x write	read only
CD-RW	32x write	32x write	32x write	32x write	32x write	read only
DVD-R	16x write	16x write	16x write	read only	16x write	16x write
DVD-RW	6x write	6x write	6x write	read only	6x write	6x write
DVD-R DL	4x write	4x write	4x write	read only	4x write	4x write
DVD+R	16x write	read only	16x write	16x write	read only	read only
DVD+RW	8x write	read only	8x write	8x write	read only	read only
DVD+R DL	<b>6x write</b>	read only	<b>6x write</b>	<b>6x write</b>	read only	read only
DVD-RAM	5x write	5x write	read only	read only	read only	5x write

	<b>G*A-4168B</b>					
	GSA	GMA	GWA	GRA	GCA	GDA
Light Scribe	o	o	o	o	o	o
CD-R	48x write	48x write	48x write	48x write	48x write	read only
CD-RW	32x write	32x write	32x write	32x write	32x write	read only
DVD-R	16x write	16x write	16x write	read only	16x write	16x write
DVD-RW	6x write	6x write	6x write	read only	6x write	6x write
DVD-R DL	4x write	4x write	4x write	read only	4x write	4x write
DVD+R	16x write	read only	16x write	16x write	read only	read only
DVD+RW	8x write	read only	8x write	8x write	read only	read only
DVD+R DL	6x write	read only	6x write	6x write	read only	read only
DVD-RAM	5x write	5x write	read only	read only	read only	5x write

# FEATURES

## 1 General

- 1) Enhanced IDE (ATAPI) interface.
- 2) Internal Half-height Drive.
- 3) CD-R/RW, DVD-R/-R DL(Dual Layer)/-RW/RAM/+R/+R DL(Double Layer)/+RW read and write compatible CD Family and DVD-ROM read compatible.
- 4) Buffer Under-run prevention function embedded.
- 5) 2MB buffer memory.
- 6) Power loading and power eject of a disc. Bare media loading.
- 7) MTBF : 100,000 POH
- 8) Vertical and Horizontal installable.

## 2. Supported disc formats

- 1) Reads data in each DVD-ROM, DVD-R(Ver. 2.0 for Authoring) and DVD-RAM(Ver.1.0)
- 2) Reads and writes in each DVD-R(Ver. 2.0 for General), DVD-R DL(Dual Layer), DVD-RW, DVD-RAM(Ver.2.2), DVD+R, DVD+R DL(Double Layer) and DVD+RW
- 3) Reads data in each CD-ROM, CD-ROM XA, CD-I, Video CD, CD-Extra and CD-Text
- 4) Reads data in Photo CD (Single and Multi session)
- 5) Reads standard CD-DA
- 6) Support to read Super Audio CD(Compatible layer in Hybrid type)
- 7) Reads and writes CD-R discs conforming to "Orange Book Part 2"
- 8) Reads and writes CD-RW discs conforming to "Orange Book Part 3"
- 9) Reads DVD-RAM with CPRM and DVD-RW with CPRM

## 3. Supported write method

- 1) DVD-R: .....Disc at Once and Incremental Recording
- 2) DVD-R DL .....Disc at Once, incremental Recording and Layer jump recording
- 3) DVD-RW:.....Disc at Once, Incremental Recording and Restricted Overwrite
- 4) DVD-RAM:.....Random Write
- 5) DVD+R: .....Sequential Recording
- 6) DVD+R DL: .....Sequential Recording
- 7) DVD+RW:.....Random Write
- 8) CD-R/RW: .....Disc at Once, Session at Once, Track at Once and Packet Write

#### 4. Performance

- |   |                               |   |
|---|-------------------------------|---|
| 1) Average access time:<br>(1/3 stroke) | DVD-ROM                       | 145 ms  |
|   | CD-ROM                        | 125 ms  |
| 2) Write speed:                         | DVD-R                         | 2x, 4x CLV, 8x ZCLV, 16x PCAV                 |
|   | DVD-R DL                      | 2x, 4x CLV                                    |
|   | DVD-RW                        | 1x, 2x, 4x, 6x CLV                            |
|   | DVD-RAM                       | 2x, 3x ZCLV (Ver.2.2), 3x-5x PCAV(Ver.2.2)    |
|   | DVD+R                         | 2.4x, 4x CLV, 8x ZCLV, 12x, 16x PCAV          |
|   | DVD+R DL                      | 2.4x, 4x, 6x CLV                              |
|   | DVD+RW                        | 2.4x, 4x CLV, 8x ZCLV                         |
|   | CD-R                          | 4x, 8x, 16x CLV, 24x, 32x, 40x, 48x ZCLV      |
|   | CD-RW                         | 4x, 10x, 16x CLV, 24x, 32x ZCLV               |
|   |                               | (High Speed: 10x, Ultra Speed: 16x, 24x, 32x) |
| 3) Read speed:                          | DVD-R/RW/ROM/ROM-Dual layer   | 10x / 8x / 16x / 12x max.                     |
|   | DVD-R DL                      | 8x max.                                       |
|   | DVD-RAM (Ver.1.0/2.2)         | 2x / 2x, 3x ZCLV, 3x-5x PCAV                  |
|   | DVD-Video(CSS Compliant Disc) | 8x max. (Single/Dual layer)                   |
|   | DVD+R/+RW                     | 10x / 8x max.                                 |
|   | DVD+R DL                      | 8x max.                                       |
|   | CD-R/RW/ROM                   | 48x/40x/48x max.                              |
|   | CD-DA (DAE)                   | 40x max.                                      |
|   | 80mm CD                       | 16x max.                                      |
| 4) Sustained Transfer rate:             | DVD-ROM                       | 22.16 Mbytes/s (16x) max.                     |
|   | CD-ROM                        | 7,200 kB/s (48x) max.                         |
| 5) Burst Transfer rate:                 |                               | Ultra DMA Mode2                               |
|   |                               | Multi word DMA Mode2, PIO Mode 4              |
| 6) Multimedia MPC-3 compliant           |                               |   |

#### 5. Audio

- 1) 16 bit digital data output through ATA interface
- 2) Software Volume Control
- 3) Equipped with audio line output for audio CD playback

\*Definition

Transfer Rate: .....1x (DVD) = 1.385 Mbytes/s .....1x (CD) = 150 kB/s

Mbytes/s =  $10^6$  bytes/s, .....kB/s =  $2^{10}$  bytes/s

Capacity: .....MB =  $2^{20}$  bytes, .....kB =  $2^{10}$  bytes

# SPECIFICATIONS

## 1. SYSTEM REQUIREMENTS

- CPU: IBM Compatible Pentium 4 2.4GHz (or faster)  
(For High speed, 2.4GHz or faster recommended.)
- 128MB Memory or greater

## 2. SUPPORTING OPERATING SYSTEM

### \* Operating System

- Windows Millennium Edition (Me)
- Window 2000 Professional
- Window XP Home Edition, Professional

### \* Recording tool

- (1) Nero(Ahead)
- (2) In CD(Ahead)
- (3) Power Producer Gold (Cyber Link)

### 2.1 Applicable disc formats

DVD .....	DVD-ROM:	4.7GB (Single Layer) 8.5GB (Dual Layer)
	DVD-R DL:	8.5GB
	DVD-R:	4.7GB (Ver.2.0 for Authoring : read only) 4.7GB (Ver.2.0 for General: read & write)
	DVD-RW:	4.7GB (Ver.1.2)
	DVD-RAM:	2.6GB/side (Ver.1.0) 1.46GB/side, 4.7GB/side (Ver.2.2)
	DVD+R:	4.7GB
	DVD+R DL:	8.5GB
	DVD+RW:	4.7GB
CD.....	CD-ROM Mode-1 data disc	
	CD-ROM Mode-2 data disc	
	CD-ROM XA, CD-I, Photo-CD Multi-Session, Video CD	
	CD-Audio Disc	
	Mixed mode CD-ROM disc (data and audio)	
	CD-Extra	
	CD-Text	
	CD-R (Conforming to "Orange Book Part2": read & write)	
	CD-RW (Conforming to "Orange Book Part3": read & write)	

### 2.2 Writing method

(1) DVD-R/RW .....	Disc at Once
	Incremental Recording
	Restricted Overwrite (DVD-RW only)
(2) DVD-R DL .....	Disc at Once
	Incremental Recording
	Layer jump Recording
(3) DVD-RAM/+RW .....	Random Write
(4) DVD+R .....	Sequential Recording
(5) DVD+R DL .....	Sequential Recording
(6) CD-R/RW .....	Disc at Once (DAO)
	Session at Once (SAO)
	Track at Once (TAO)
	Packet Write

2.3 Disc diameter .....	120mm
	80mm (Horizontal only)

## 2.4 Data capacity

- User Data/Block DVD-ROM/R/RW/RAM/+R/+RW .....2,048 bytes/block
- CD (Yellow Book) .....2,048 bytes/block (Mode 1 & Mode 2 Form 1)
- 2,336 bytes/block (Mode 2)
- 2,328 bytes/block (Mode 2 Form 2)
- 2,352 bytes/block (CD-DA)

## 2.5 RPC (Regional Playback Control) Phase2, No Region

# 3. DRIVE PERFORMANCE

3.1 Host interface .....X3T13 ATA/ATAPI5/1321D  
INF-8090i Rev.5.3

## 3.2 Read/Write & Rotational speed

<Write>	DVD-R .....	2x, 4x(CLV), 8x(ZCLV), 16x(PCAV)
	DVD-R DL .....	2x, 4x(CLV)
	DVD-RW.....	1x, 2x, 4x, 6x(CLV)
	DVD-RAM .....	Ver. 2.2 .....2x, 3x(ZCLV), 3x-5x(PCAV)
	DVD+R .....	2.4x, 4x(CLV), 8x, 12x, 16x(PCAV)
	DVD+R DL .....	2.4x, 4x, 6x(CLV)
	DVD+RW.....	2.4x, 4x(CLV), 8x(ZCLV)
	CD-R .....	4x, 8x, 16x(CLV), 24x, 32x, 40x, 48x(ZCLV)
	CD-RW .....	4x, 10x, 16x(CLV), 24x, 32x (ZCLV) (High Speed: 10x, Ultra Speed: 16x, 24x, 32x)
<Read>	DVD-ROM.....	Single layer .....6.7x - 16x (CAV), Approx. 9,420 r/min
	.....	Dual layer .....5.0x - 12x (CAV), Approx. 7,770 r/min
	DVD-R DL.....	8.5GB .....3.3x - 8x (CAV), Approx 5,180r/min
	DVD-Video (CSS) .....	3.3x - 8x (CAV), Approx. 5,180 r/min
	DVD-R.....	4.7GB .....4.2x - 10x (CAV), Approx. 5,890 r/min
	DVD-RW .....	4.7GB .....3.3x - 8x (CAV), Approx. 4,720 r/min
	DVD-RAM .....	Ver. 1.0/ 2.2 .....2x/ 2x, 3x (ZCLV)* 3x-5x (PCAV)*
	DVD+R.....	4.7GB .....4.2x - 10x (CAV), Approx. 5,890 r/min
	DVD+R DL .....	8.5GB .....3.3x - 8x (CAV), Approx. 5,180 r/min
	DVD+RW .....	4.7GB .....3.3x - 8x (CAV), Approx. 4,720 r/min
	CD-R/ROM, CD-I / Video .....	(1.2m/s) .....20x - 48x (CAV), Approx. 9,540 r/min
	CD-RW .....	(1.2m/s) .....16.7x - 40x (CAV), Approx. 8,100 r/min
	CD-DA (DAE).....	(1.2m/s) .....16.7x - 40x (CAV), Approx. 8,100 r/min
	CD-DA (Audio out) .....	(1.2m/s) .....4.0x - 10x (CAV), Approx. 2,030 r/min

\* Rotational speed (CLV, ZCLV)

DVD-R/RW/ROM, +R/RW .....	1x: Approx. 1,390(Inside) - 580 r/min(Outside)
DVD-RAM.....	Ver. 1.0 .....1x: Approx. 2,390(Inside) - 1,010 r/min(Outside)
Ver. 2.2 .....	2x: Approx. 3,250(Inside) - 1,380 r/min(Outside)
CD-R/RW/ROM .....	1x: Approx. 500(Inside) - 210 r/min(Outside)

### 3.3 Data transfer rate

#### 3.3.1 Sustained transfer rate

<Write>	DVD-R.....	2.77, 5.54, 5.44-11.08 Mbytes/s.....	2x, 4xCLV, 8x ZCLV
		9.14-22.16 Mbytes/s.....	16x PCAV
	DVD-R DL.....	2.77, 5.54 Mbytes/s.....	2x, 4x CLV
	DVD-RW.....	1.385, 2.77, 5.54, 8.31 Mbytes/s.....	1x, 2x, 4x, 6x CLV
	DVD-RAM (Ver.2.2): ...	2.77, 4.15, 4.15-6.925 Mbytes/s (w/o Verify) .....	2x, 3x ZCLV, 3-5x PCAV
	DVD+R.....	3.32, 5.54, 8.31-11.08 Mbytes/s.....	2.4x, 4x CLV, 8x ZCLV
		8.31-16.62, 9.14-22.16 Mbytes/s .....	12x ZCLV, 16x PCAV
	DVD+R DL.....	3.32, 5.54, 8.31 Mbytes/s.....	2.4x, 4x, 6x CLV
	DVD+RW.....	3.32, 5.54, 8.31-11.08 Mbytes/s .....	2.4x, 4x CLV, 8x ZCAV
CD-R.....		600, 1,200, 2,400, 2,400-3,600, 2,400-4,800, 2,400-6,000, 2,400-7,200 kB/s (Mode-1)	
		.....	4x, 8x, 16x CLV 24x, 32x, 40x, 48x ZCLV
CD-RW.....		600, 1500, 2,400, 2,400- 3,600, 2,400-4,800 kB/s (Mode-1)	
		.....	4x, 10x, 16x CLV, 24x, 32x ZCLV
<Read>	DVD-ROM.....	Single layer ....9.28 - 22.16 Mbytes/s .....	16x max.
		Dual layer.....6.86 - 16.62 Mbytes/s .....	12x max.
	DVD-R.....	5.73 - 13.85 Mbytes/s .....	10x max.
	DVD-R DL.....	4.58 - 11.08 Mbytes/s .....	8x max.
	DVD-RW.....	4.58 - 11.08 Mbytes/s .....	8x max.
DVD-RAM.....	Ver. 1.0.....	2.77 Mbytes/s.....	2x ZCLV
	Ver. 2.2.....	2.77, 4.155,4.155-6.93 Mbytes/s ..	2x, 3x ZCLV, 3-5x PCAV
	DVD+R.....	5.73 - 13.85 Mbytes/s .....	10x max.
	DVD+R DL.....	4.58 - 11.08 Mbytes/s .....	8x max.
	DVD+RW.....	4.58 - 11.08 Mbytes/s .....	8x max.
	CD-R/ROM.....	3,000 - 7,200 kB/s.....	48x max.
	CD-RW.....	2,500 - 6,000 kB/s.....	40x max.
	CD-DA (DAE).....	2,500 - 6,000 kB/s.....	40x max.

#### 3.3.2 Burst transfer rate

Ultra DMA Mode 2.....	33.3 Mbytes/s max.
Multiword DMA Mode 2.....	16.6 Mbytes/s max.
PIO Mode 4.....	16.6 Mbytes/s max.

### 3.4 Access time (1/3 stroke)

DVD-ROM.....	145 ms Typ.* (Note 1)
DVD-RAM (Ver.2.2).....	165 ms Typ.
CD-ROM.....	125ms Typ. (Note 1)

#### Note :

1) Average random access time is the typical value of more than 50 times including latency and error correction time.

Test Disc : DVD : ALMEDIO TDV-520 / TDR-820

CD : ALMEDIO TCDR-701 / HITACHI HCD-1

\*) Typical value defines a measured value in normal temperature (20 deg.C.) and horizontal position.

### 3.5 Data error rate (Measured with 5 retries maximum)

DVD-R/RW/ROM/RAM.....	<10 <sup>-12</sup>
DVD+R/+RW.....	<10 <sup>-12</sup>
CD-R/RW/ROM.....	<10 <sup>-12</sup> (Mode-1)
	<10 <sup>-9</sup> (Mode-2)

Condition : It is assumed that the worst case raw error rate of the disc is 10<sup>-3</sup>

### 3.6 Data buffer capacity .....2 Mbytes



## 4. Quality and Reliability

- 4.1 MTBF**.....100,000 Power On Hours(Consecutive/Cumulative POH)  
Assumption : .....Used in a normal office environment at room temperature.  
-POH per year.....3,000  
-ON/OFF cycles per year.....600  
-Operating duty cycle.....20% of power on time (Seek: 5% of operating time)
- 4.2 Tray cycle test**.....30,000 times  
No degeneration in the mechanical part after test
- 4.3 Actuator mechanism** .....1,000,000 full stroke seek
- 4.4 MTTR (Mean Time To Repair)** .....0.5 h
- 4.5 Component life** .....5 years or 2,000 h of Laser radiating time  
Assumption : .....Used in a normal office environment.

## 5. POWER REQUIREMENTS

### 5.1 Source voltage

- +5V  $\pm$  5% tolerance, less than 100 mVp-p Ripple voltage
- +12V  $\pm$  10% tolerance, less than 100 mVp-p Ripple voltage

### 5.2 Current

Idle (Hold track state).....	+5V DC .....	0.9A typ. ....	< 1.0 A max.
	+12V DC .....	0.5A typ.....	< 1.0 A max.
Write (Active) .....	+5V DC .....	1.3A typ. ....	< 1.5 A max.
	+12V DC.....	0.9A typ. ....	< 1.5 A max.
Read (Active).....	+5V DC .....	1.0A typ. ....	< 1.5 A max.
	+12V DC.....	0.9A typ. ....	< 1.5 A max.
Seek (Access) .....	+5V DC .....	1.0A typ. ....	< 1.5 A max.
	+12V DC .....	1.2A typ. ....	< 2.0 A max.

### 5.3 Standby

Sleep mode (No disc) .....	1.1 W typ.	1.3 W max.
----------------------------	------------	------------

## 6. AUDIO PERFORMANCE

Output Level (1kHz, 0dB) .....	0.7 Vrms typical
Frequency Response .....	+/-3dB (20 to 20,000Hz)
Signal to Noise Ratio.....	80 dB min. with IHF A and LPF 20 kHz
THD (1kHz, 0dB) .....	0.10% max. with LPF 20 kHz
Channel separation(10kHz).....	65 dB min.
Condition: .....	Load impedance : 10 kohms

## 7. Acoustic noise

Less than 50dB, A scale, at 0.5 m away from the drive

- Note :
1. Disc : Less than imbalance  $0.3 \times 10^{-4}$  Nm
  2. Installation : Horizontal
  3. Ambient temperature : Normal temperature
  4. Except loading, unloading and seek

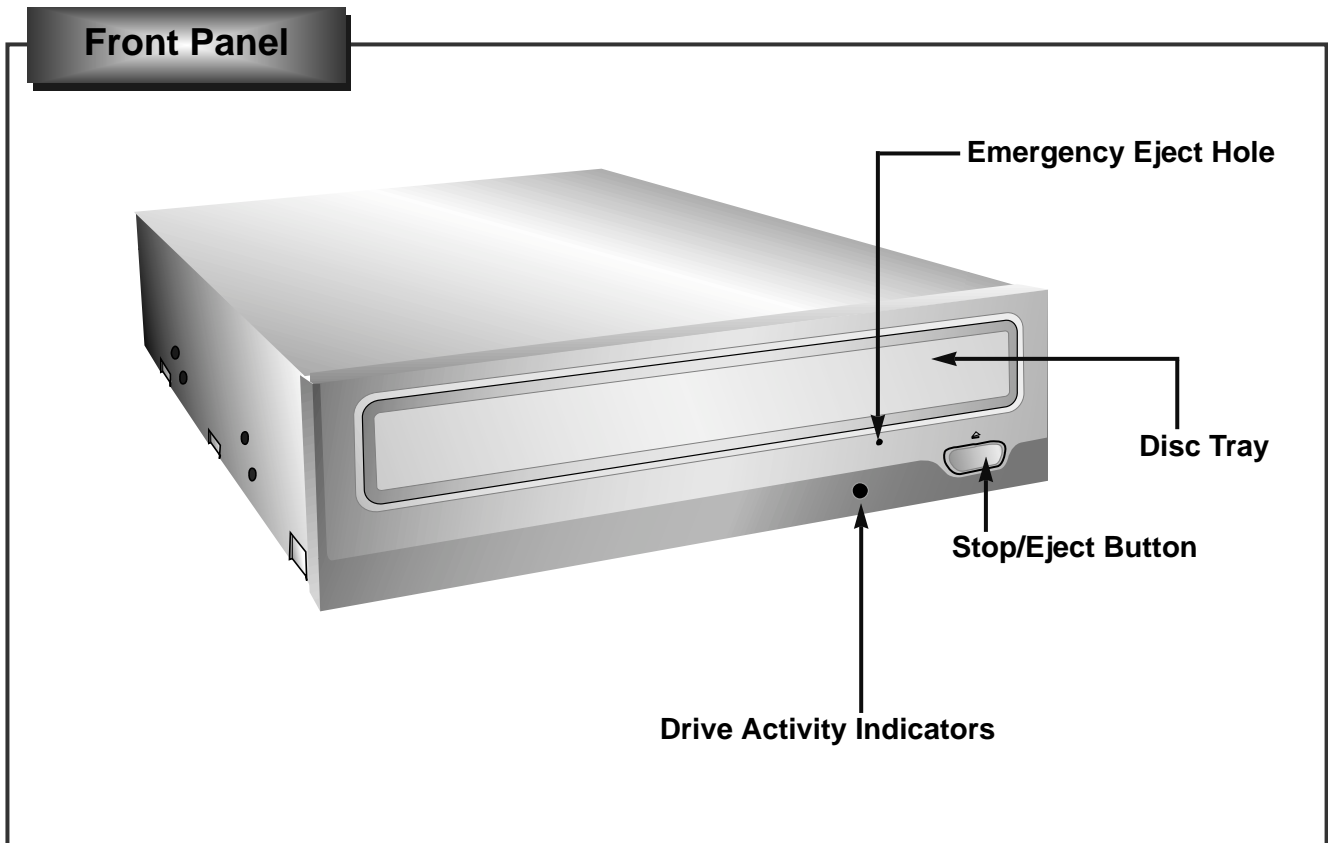
## 8. Dimensions

External dimensions (W x H x D)	146 x 41.3 x 165mm(without Bezel)
Front bezel (WxHxD)	148 x 42 x 5 mm

## 9. Mass .....Approx. 0.77+/-0.03 kg

\* Which is not provided with Circuit Diagram of this model. Please Contact the friendly staff of LG Service Care at: Website <http://www.LGService.com>

# LOCATION OF CUSTOMER CONTROLS



## 1. Disc tray

This is the tray for the disc. Place the disc on the ejected disc tray, then lightly push the tray (or push the eject button) and the CD will be loaded.

**NOTE:** Don't pull out or push in the disc tray forcibly. This might cause damage to the loading section of the drive.

## 2. Stop/Eject button

This button is pressed to open the CD tray. This button works only when power is supplied to the drive.

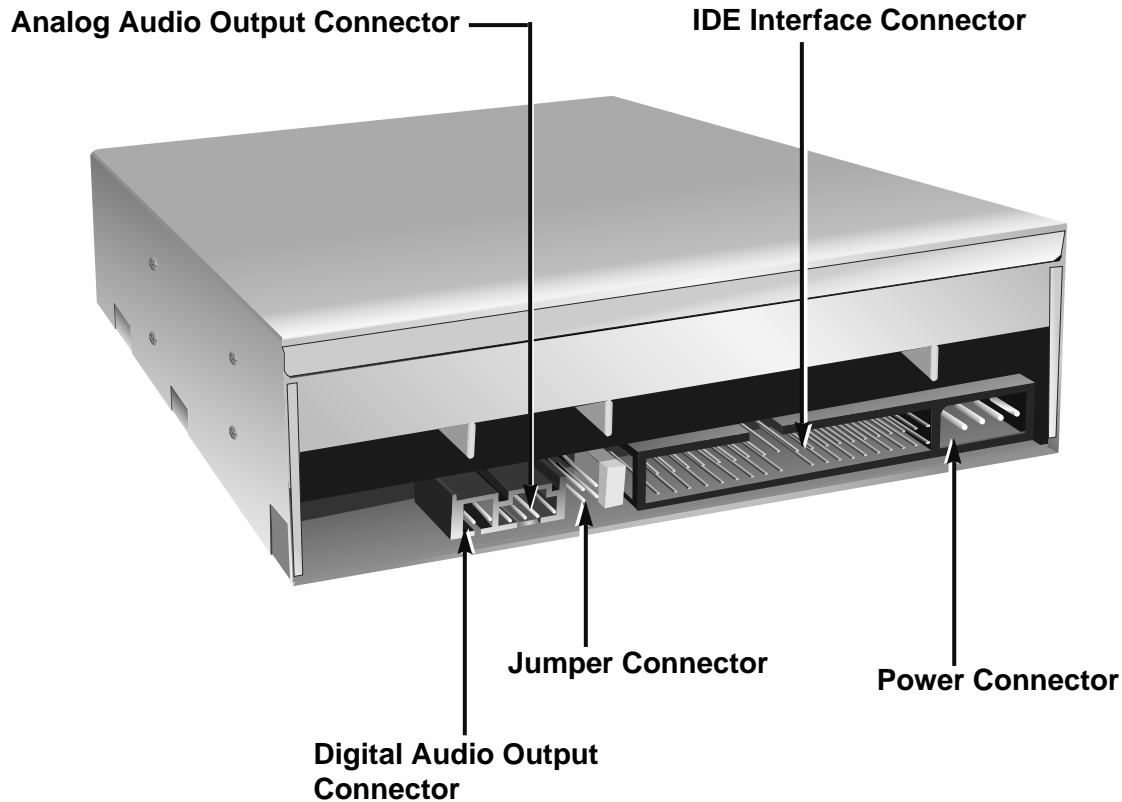
## 3. Emergency Eject Hole

Insert a paper clip here to eject the Disc tray manually or when there is no power.

## 4. Drive activity indicator

Two colored LED is used to indicate the operation of the Drive.

## Rear Panel



**NOTE:** The actual drive may be different from this design.

### 1. Power Connector

Connects to the power supply (5-and 12-V DC) of the host computer.

**NOTE :** Be careful to connect with the proper polarity. Connecting the wrong way may damage the system (and is not guaranteed). Usually this connector can only be attached one-way.

### 2. IDE Interface Connector

Connect to the IDE (Integrated Device Electronics) Interface using a 40-pin flat IDE cable.

**NOTE :** Do not connect or disconnect the cable when the power is on, as this could cause a short circuit and damage the system. Always turn the power OFF when connecting or disconnecting the cable.

### 3. Jumper Connector

This jumper determines whether the drive is configured as a master or slave. Changing the master-slave configuration takes effect after power-on reset.

### 4. Analog Audio Output Connector

Provides output to a sound card (analog signal). Generally you need this to play a regular audio CD.

### 5. Digital Audio Output Connector

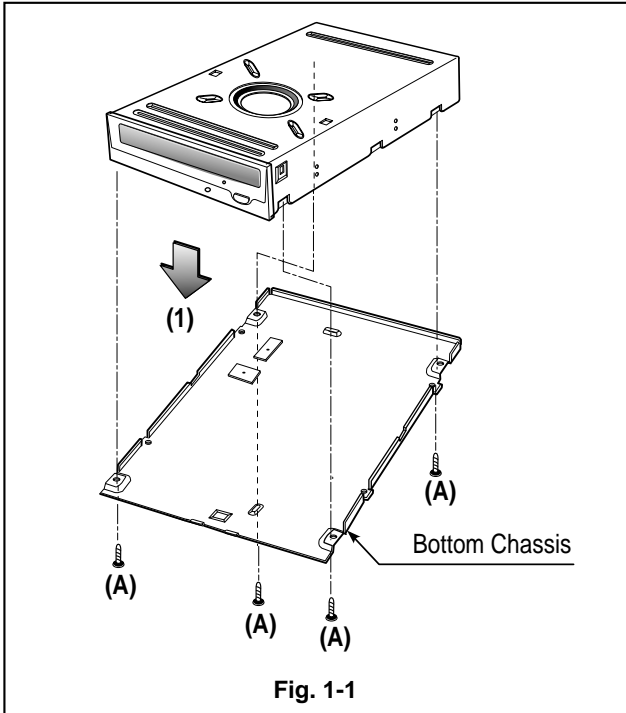
This connector is not supported.

# DISASSEMBLY

## 1. CABINET and CIRCUIT BOARD DISASSEMBLY

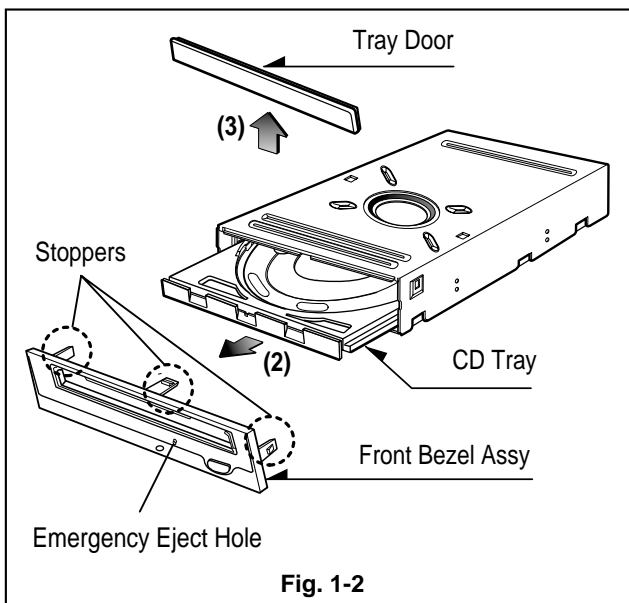
### 1-1. Bottom Chassis

- A. Release 4 screws (A) and remove the Bottom Chassis in the direction of arrow (1). (See Fig.1-1)



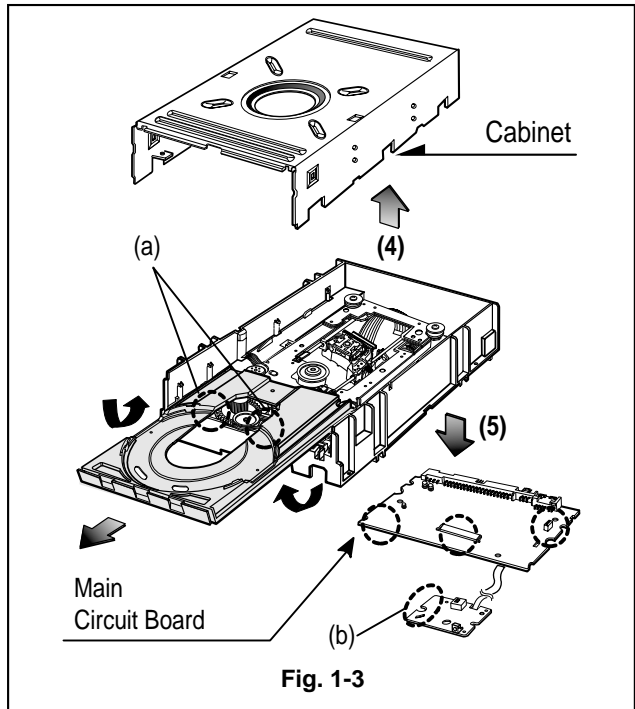
### 1-2. Front Bezel Assy

- A. Insert and press a rod in the Emergency Eject Hole and then the CD Tray will open in the direction of arrow (2).  
 B. Remove the Tray Door in the direction of arrow (3) by pushing the stoppers forward.  
 C. Release 3 stoppers and remove the Front Bezel Assy.



### 1-3. Cabinet and Main Circuit Board

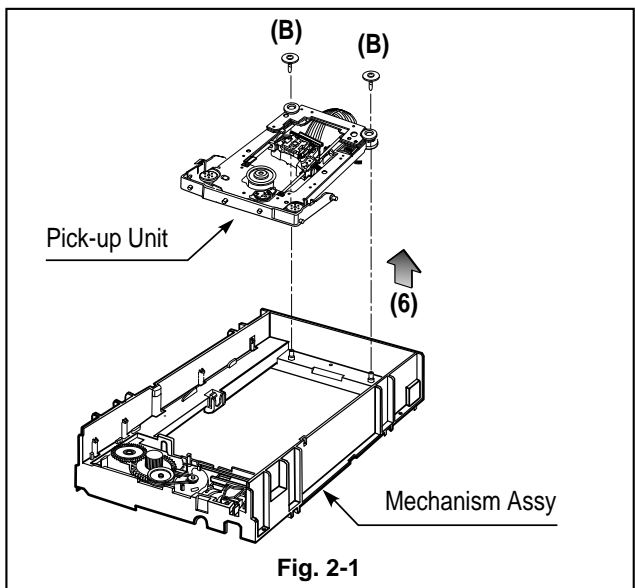
- A. Remove the Cabinet in the direction of arrow (4). (See Fig. 1-3)  
 B. When the CD tray has been opened completely, lift 2 points (a) and remove the CD tray while drawing out simultaneously.  
 C. Remove the Soldering of the LD- and LD+ (b) for the Loading Motor, and then remove the Main Circuit Board.  
 D. At this time, be careful not to damage the 4 connectors of the Main Circuit Board.



## 2. MECHANISM ASSY DISASSEMBLY

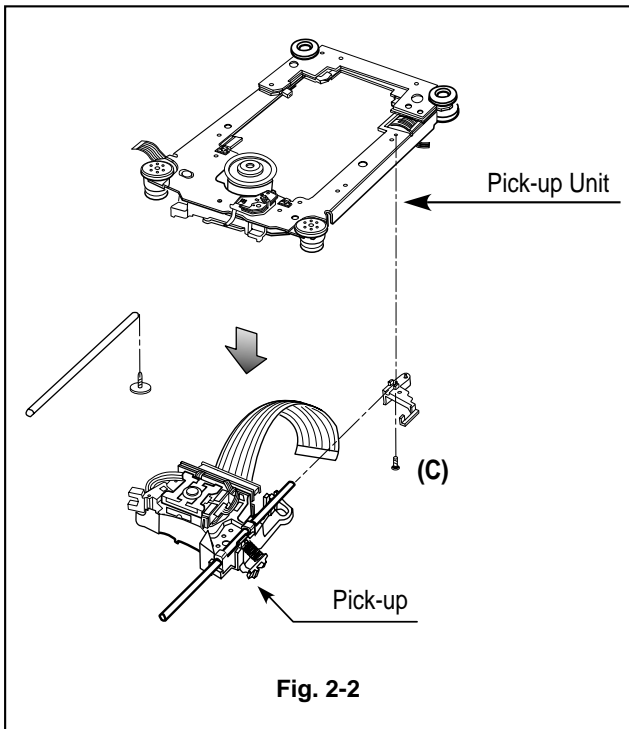
### 2-1. Pick-up Unit

- A. Release screws (B).  
 B. Separate the Pick-up Unit in the direction of arrow (6).



## 2-2. Pick-up

A. Release 1 screw (C) and remove the Pick-up.



# EXPLODED VIEW

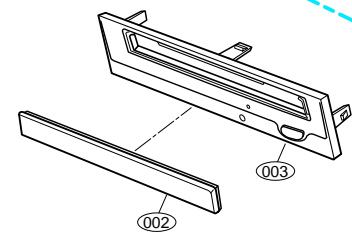
5

4

3

2

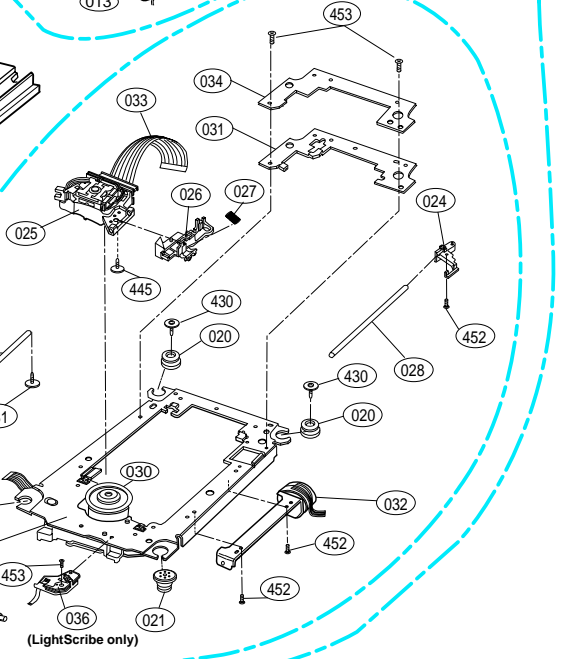
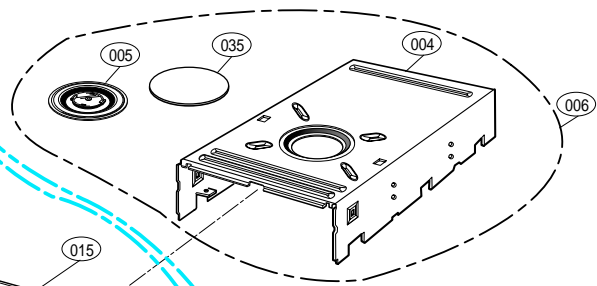
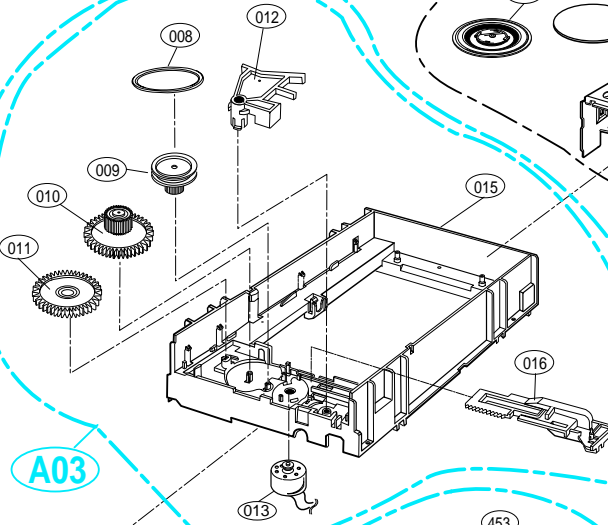
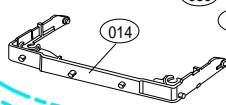
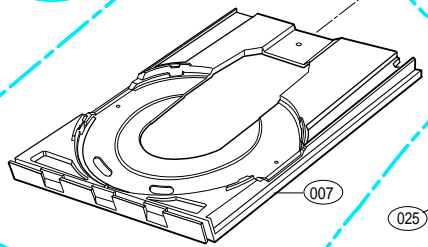
1



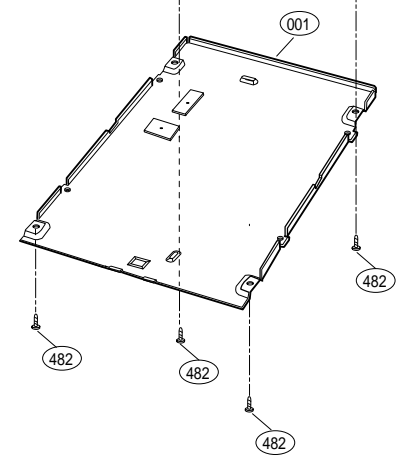
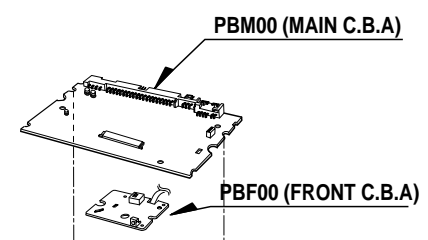
A01

A03

A02



(LightScribe only)



A

B

C

D

E

F

G

H

14

15

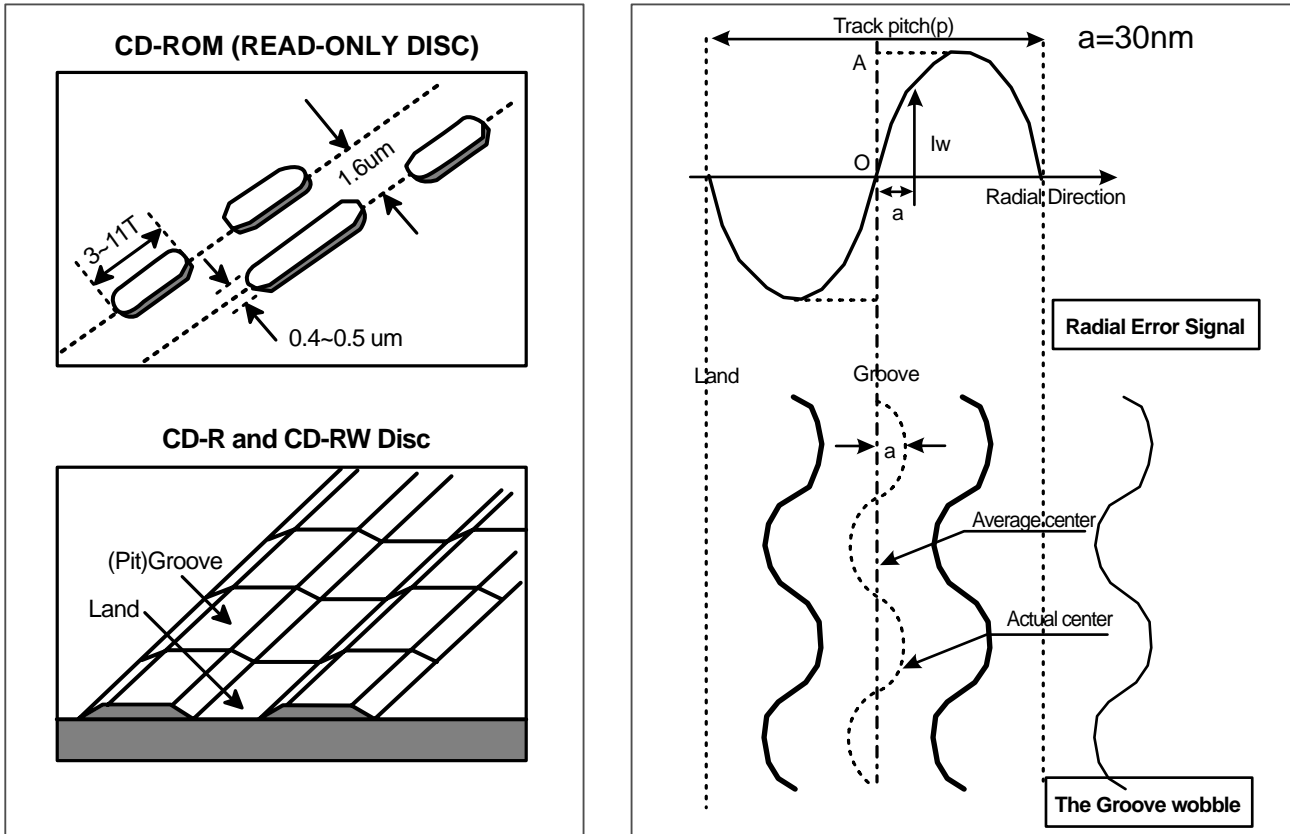
# GLOSSARY

ATIP	Absolute Time in Pre-groove. With an additional modulation of the "Wobble", the "Groove" contains a time code information.
Wobble	The pre-groove in the Disc is not a perfect spiral but is wobbled. With : – A typical amplitude of 30 nm – A spatial period of 54~64 μm
CW	Continuous Wave. The laser light output is at a constant level.
DOW	Direct Over-Write. The action in which new information is recored over previously recorded information in CD-RW disc.
Overwrite	The action in which new information is recorded over previously recorded information.
(Pre-)Groove	The guidance track in which clocking and time code information is stored by means of an FM modulated wobble.
Land	Land is characterized in the following way: When radial signals are concerned,land is defined as the area between the grooves. When HF signal are concerned,land is defined as the area between the marks(pits) in tangential direction.
Hybrid Disc	A Multisession disc of which the first Session is mastered. On a hybrid disc, recorded and mastered information may co-exist.
Mastered Information	Information,stored as pits on the disc during the manufacturing process of the disc. (when making the master)
OPC	Optimum Power Control. Procedure is determined optimum recording power according to CD-R/RW Media in recording start step.
ROPC	Running OPC. The purpose is to continuously adjust the writing power to the optimum power that is required. When the optimum power may change because of changed conditions of disc and change in operating temperature.
Jitter	The 16 value of the time variation between leading and trailing edges of a specific (I3 ... I11) pit or land as measured by Time Interval Analysis.
Deviation	The difference between a fixed value of Pit length and Land length.
TOC	Table Of Contents : in the Lead-in Area the subcode Q-channel contains information about the Tracks on the disc.
Packet Writing	A method of writing data on a CD in small increments. Two kinds of packets can be written : Fixed-length and Variable-length.
Write Strategy	The shape of the HF write signal used to modulate the power of the laser. The Write Strategy must be used for recordings necessary for disc measurements.
Information Area	Wobble, ATIP, Disc Identification, Write Power, Speed Range OPC Parameters, etc are recorded in the Information area of CD-RW Disc
Finalization	The action in which (partially) unrecorded or logically erased tracks are finished and the Lead-in and/or Lead-out areas are recorded or overwritten with the appropriate TOC subcode.
Logical Erase	A method to remove information from a disc area by overwriting it with an EFM signal containing mode 0 subcode A logically erased area is equivalent to an unrecorded
Physical Erase	The action in which previously recorded information is erased by overwriting with a CW laser output. After a Physical Erase action, the erased area on the CD-RW disc is in the unrecorded state again.
Session	An area on the disc consisting of a Lead-in area, a Program area, a lead-out area.
Multi session	A session that contains or can contain more than one session composed Lead-in and Lead-out

# The differences of CD-R/CD-RW discs and General CD-ROM

## 1. Recording Layer

Recordable CD has a wobbled pre-groove on the surface of disc for laser beam to follow track.



## 2. Disc Specification

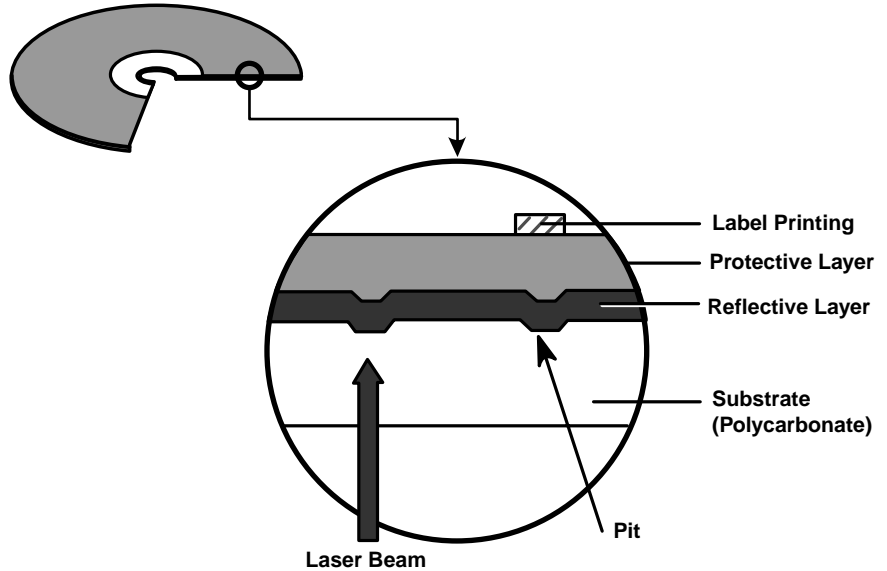
ITEM	CD-ROM	CD-R	CD-RW
Standard	Yellow Book	Orange Book II	Orange Book III
Record	Not available	Write once	Re-Writeable
Tracking Signal I11/I <sub>top</sub> (HF Modulation)	> 0.6	> 0.6	0.55 > M <sub>11</sub> > 0.70
Read Laser Power(mW)	< 0.5 mW	< 0.7 mW	< 1.0 mW
Jitter	< 35 nsec	< 35 nsec	< 35 nsec
Reflectivity (R <sub>top</sub> )	70 %	65 %	15 % ~ 25 %
<sup>Remark</sup> Write Laser Power(mW)		14-65 mW	6-45 mW



### 3. Disc Materials

#### 1) CD-ROM disc

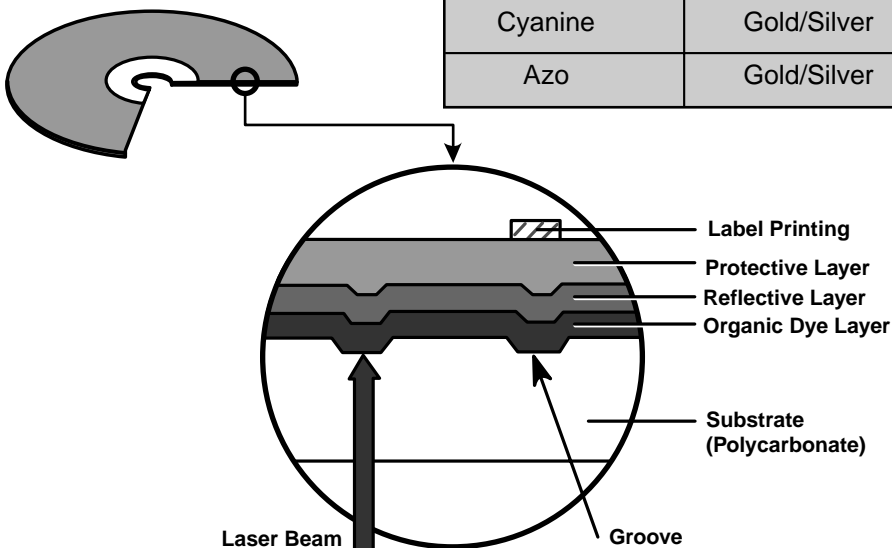
- It is composed of Silver \_ colored aluminum plate and Reflective layer.
- Groove (Pit) of aluminum plate make a track.
- Laser wavelength : 780 nm, Laser Power (Read): 0.5mW
- Signal is detected by the difference of reflective beam intensity between “pit” and “Land” on the disc.



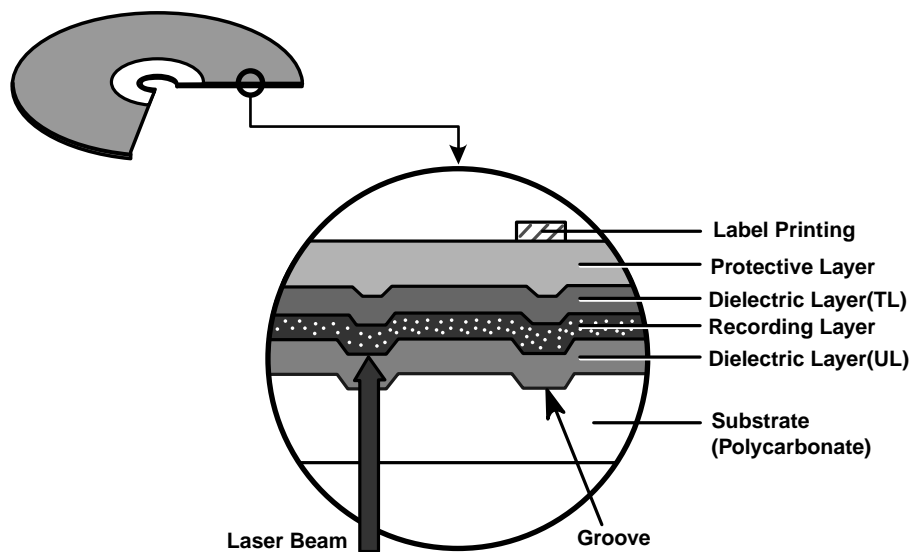
#### 2) CD-R disc

- It is so-called WORM (Write Once Read Many) CD.
- It is composed of polycarbonate layer, Organic dye layer, Reflective layer, and Protective layer. Gold/Silver Reflective layer is used to enhance the reflectivity
- According to the kinds of Organic dye layer, it is divided by Green CD, Gold CD, Blue CD.
- Laser Wavelength : 780 nm, Laser Power (read) : 0.7 mW
- Recording Power : 8x(14~20mW), 16x(25~35mW)
- When some part of dye layer is exposed to laser heat, it's color changes black. Therefore, writing and reading is enabled by the difference of reflectivity between changed part and unchanged part.
- Polycarbonate layer has Pre\_Groove which make a Track.

Pigment	Reflective Layer	Color
Phtalocyanine	Gold/Silver	Yellow/White
Cyanine	Gold/Silver	Dark Green/Bright Green
Azo	Gold/Silver	Dark Blue

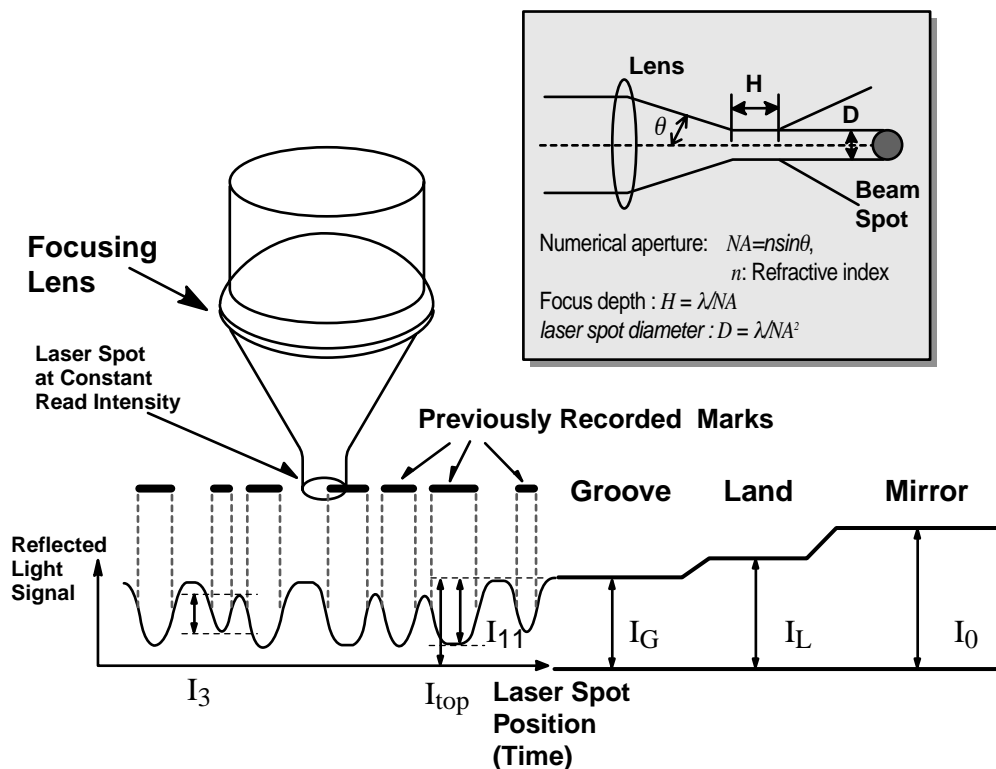


### 3) CD-RW Disc

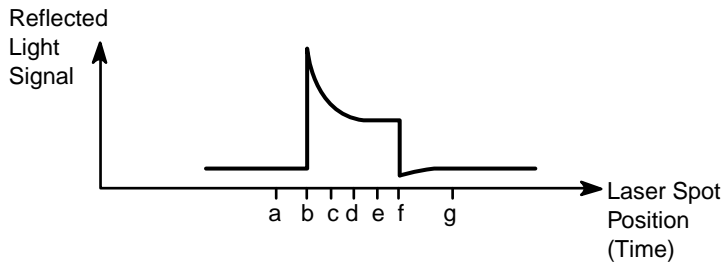
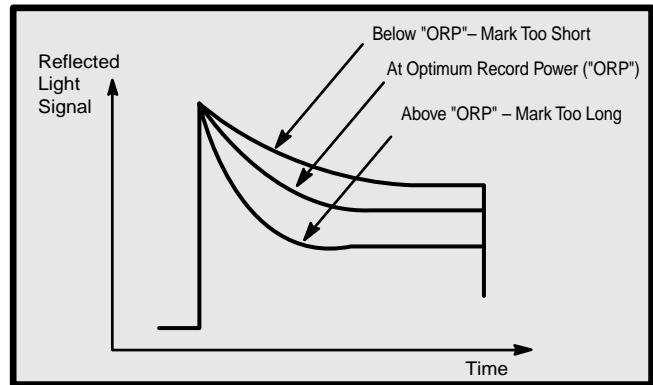
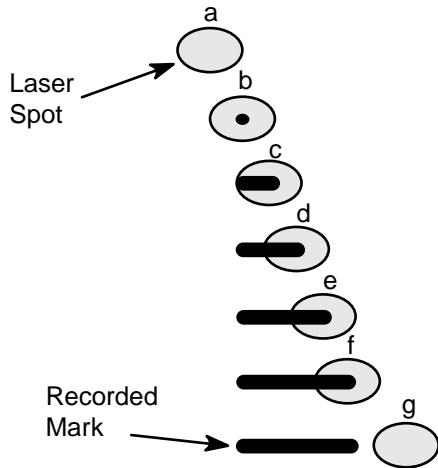
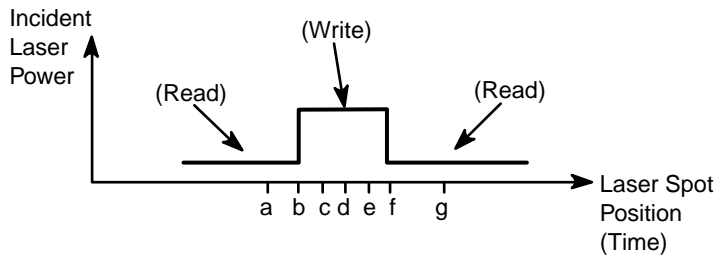


- It is composed of polycarbonate layer, alloy (silver, arsenic) layer, aluminum reflectivity layer, protective layer.
- An crystallized alloy layer is transformed into noncrystallized by the laser heat. Therefore, writing and reading is enabled by the difference of reflectivity.
- It is possible to overwrite about 1000 times.
- Laser Wavelength : 780 nm, Laser Power (Read) : 1.0mW
- Recording Power : Erase (4~18mW), Write (6~45mW)
- When disc rewriting, new data is overwritten previously recorded data.
- Polycarbonate layer has a Pre-Groove which make a track.

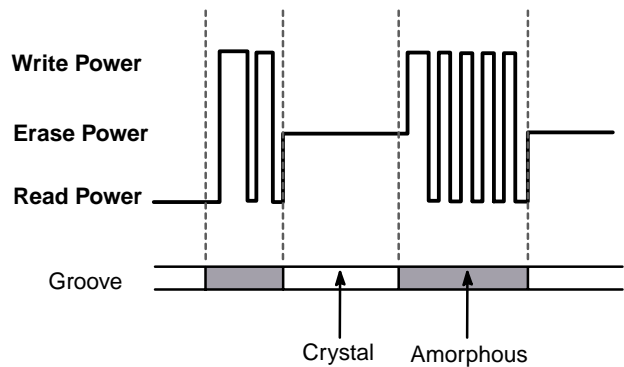
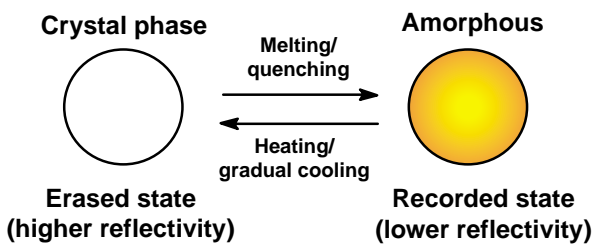
### 4. Reading process of Optical Disc



## 5. Writing Process of CD-R Disc

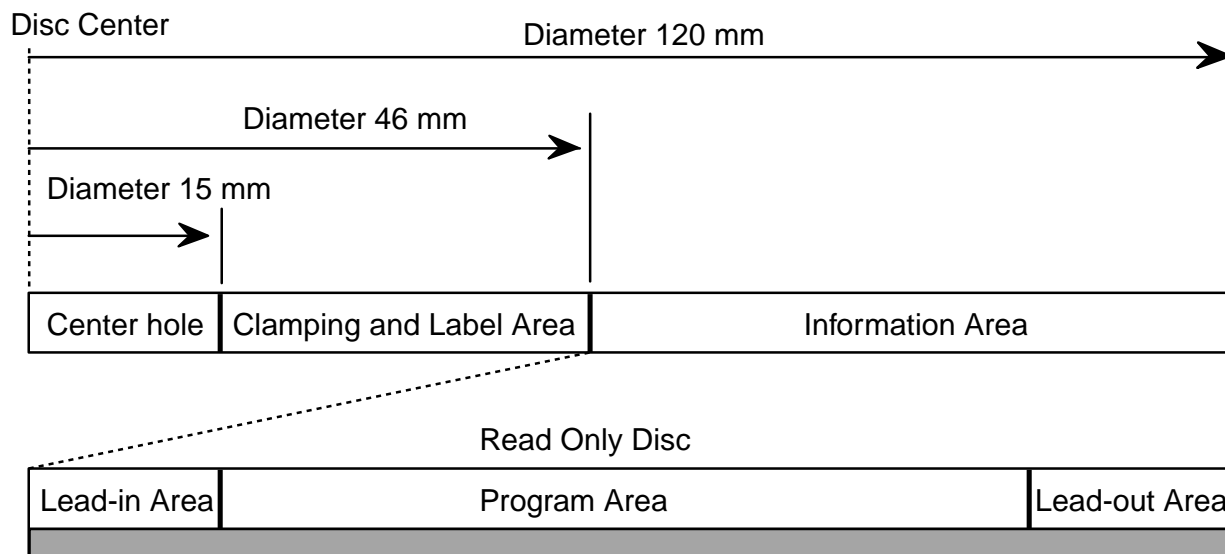


## 6. Writing process of CD-RW Disc

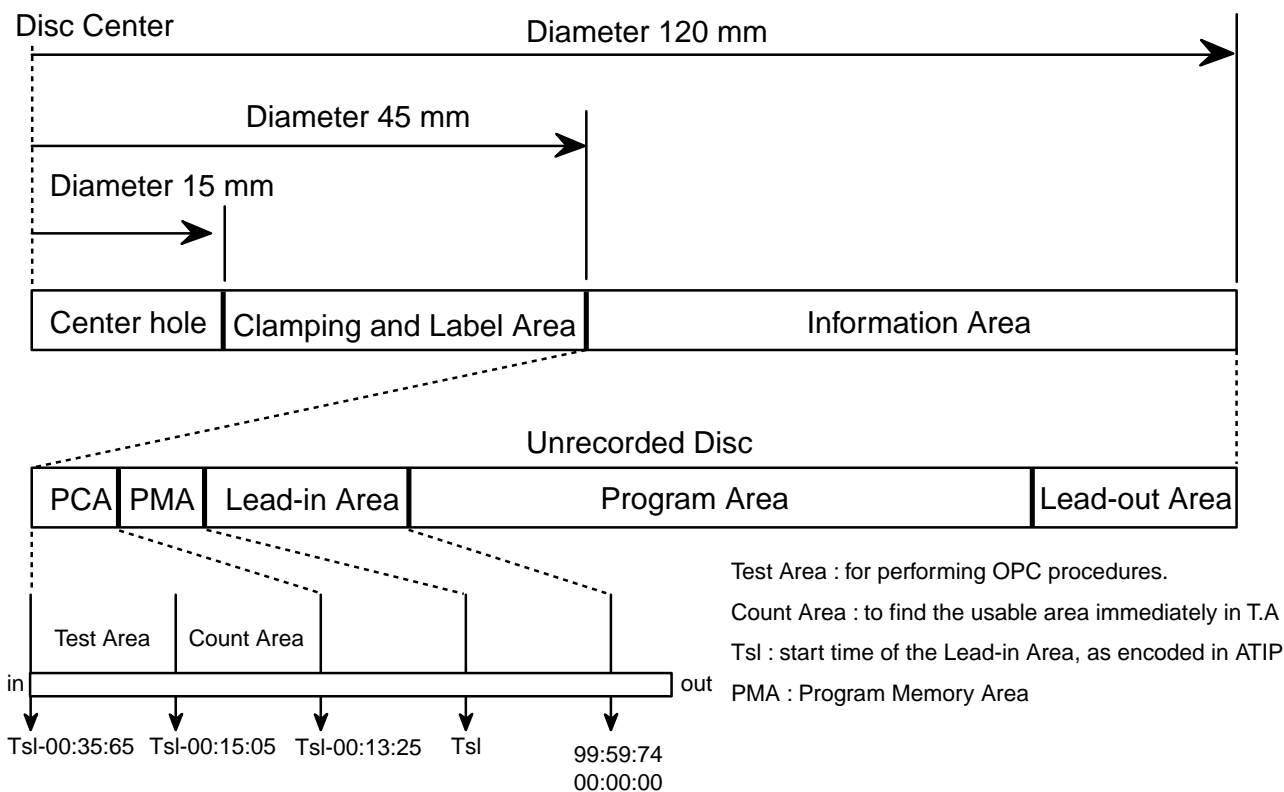


## 7. Organization of the PCA, PMA and Lead-in Area

### 1) Layout of CD-ROM disc



### 2) Layout of CD-R/RW disc



## 8. Function of PCA and PMA area

### 1) PCA (Power Calibration Area)

- PCA area is used to determine the correct Laser Power for a disc.
  - Method 1 : PCA area is divided by a track.
  - Method 2 : The previous Calibration value is referred.
  - Method 3 : ROPC is used to determine Laser Power value automatically in data writing.
- CD-R Disc can write maximum 99 Tracks but CD-RW Disc can write unlimited tracks because it has a rewritable function.

### 2) PMA (Program Memory Area)

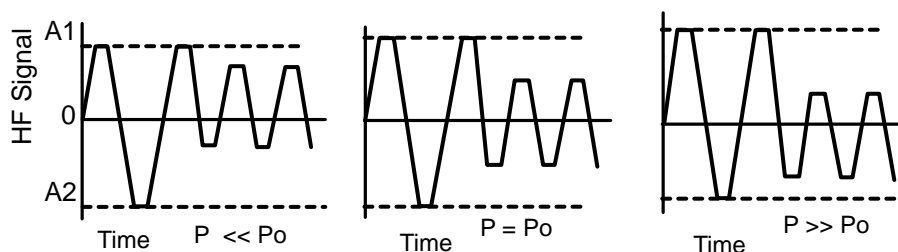
- It has a track information (track No, track Start/End time) of every track before writing completed.
  - PMA area has the last written point and the next writable point of a disc.
  - In case of CD to CD copy, some writer may not write PMA area.
- \* When Disc is Finalized,  
PMA information is transferred to the Lead\_In area so that general Driver can read it.

\* Because PCA and PMA area exist before Lead-In area, General CD Player or CD-ROM Drive can't read these areas.

## 9. OPC and ROPC

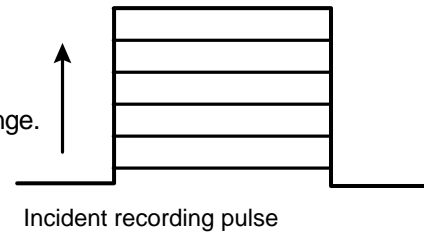
### 1) OPC (Optimum Power Control)

- This is the first step of writing process, because CD writer has its own laser power value and media have different writing characteristics,
  - This is determined by the Writing characteristic, speed, temperature, and humidity.
  - Laser wavelength is determined by the environmental temperature (775~795nm) and Optical Laser Power is determined by the test and retry.
- Asymmetry and optimum writing Power
  - EFM signal Asymmetry is determined by the writing power.  
Therefore, Optical Power which has the same value to the preset power value can be estimated by measuring HF signal Asymmetry on the PCA area.
- Measurement of Asymmetry
  - \* Parameter setting (Beta) : Using AC coupled HF signal before equalization  
$$\text{Beta} = \frac{A1+A2}{A1-A2}$$



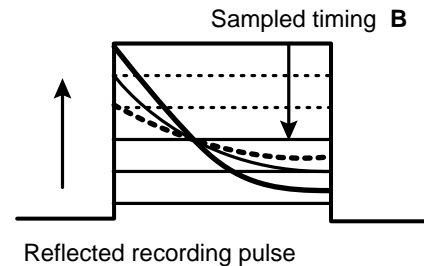
## 2) ROPC (Running Optimum Power Control)

- Variable primary factor of Optimum Power
  - Change of Power sensitivity on the Disc. (limited to  $0.05 \cdot P_0$ )
  - Wavelength shift of the laser diode due to the operating temperature change.
  - Change of the Spot aberration due to the Disc skew, Substrate thickness, Defocus.
  - Change of Disc or Optics conditions due to the long term OPC  
 ==> It is necessary to adjust continuously to obtain the Optimum Power.

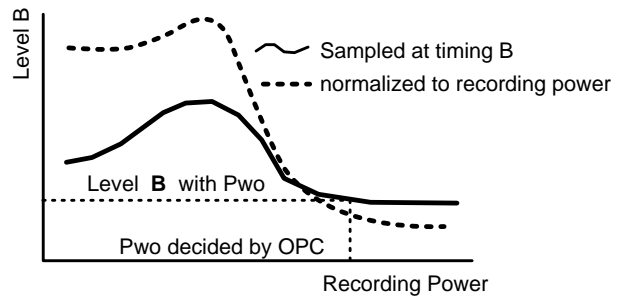
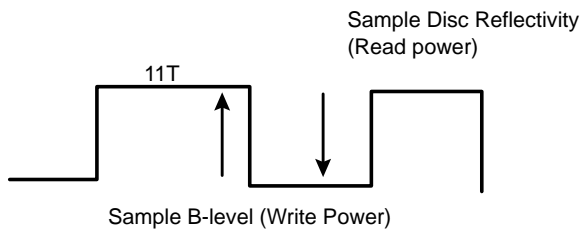


Incident recording pulse

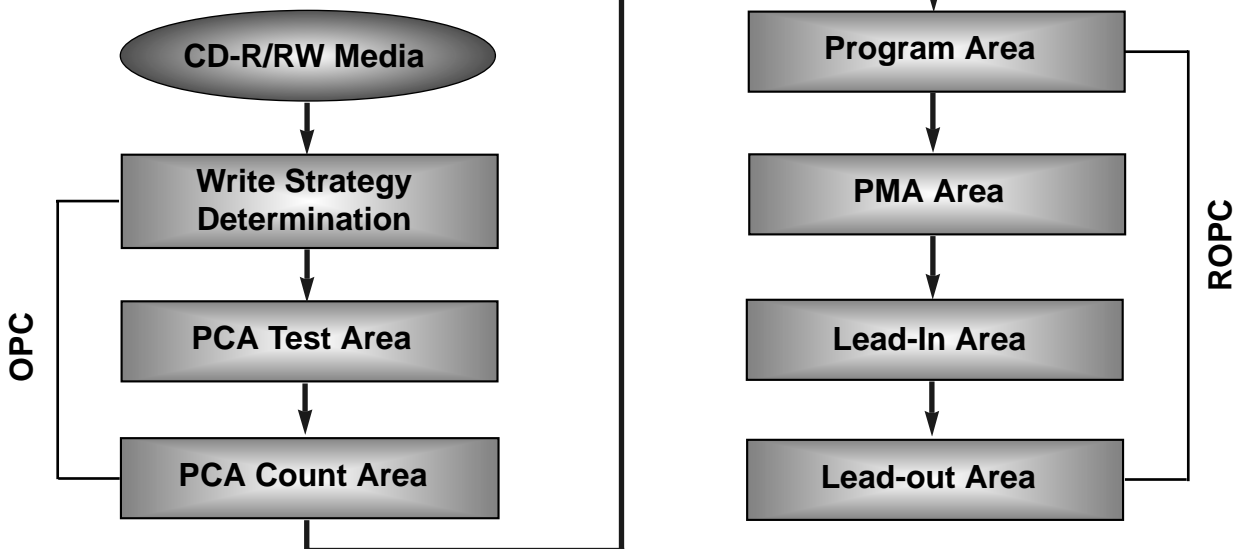
- Principle of Running OPC
  - To meet the factors mentioned above, a horizontal \_ direction movement of a curve is used.
  - $\beta = f(B\text{-level}) = \text{constant}$  on the Recorded Disc
  - Procedure of ROPC
    - Reference B-level is determined during OPC Procedure.
    - During Recording, B-level value is controlled to have a close Reference B-level value.
    - Normalization of B-level is used to eliminate the effect of reflectivity fluctuation.  
 ==> The reflected B-level value is normalized by the disc reflectivity itself.



Reflected recording pulse



## 10. Writing Process of DISC



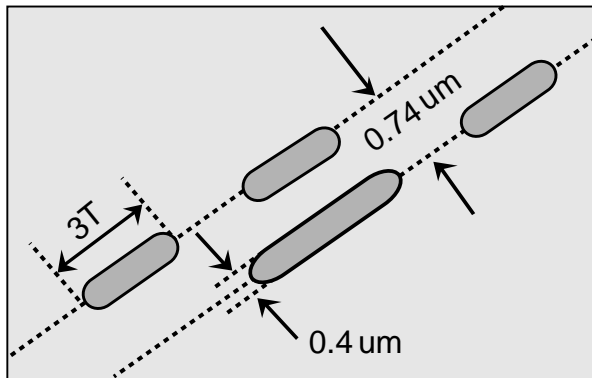
### \* Recording Capacity of CD-R/RW (74Minute Recording media)

- $(2048 \text{ Byte/Sector}) \times (75 \text{ Sector/Second}) \times (60 \text{ Second/Minute}) \times 74 \text{ Minute}$   
 = 681,984,000 Bytes = 682 Mbytes
- But the actual recording capacity is about 650 Mbytes. (according to the ISO 9660 standard, approximately 30 Mbytes are used to make directory structure and volume names.)

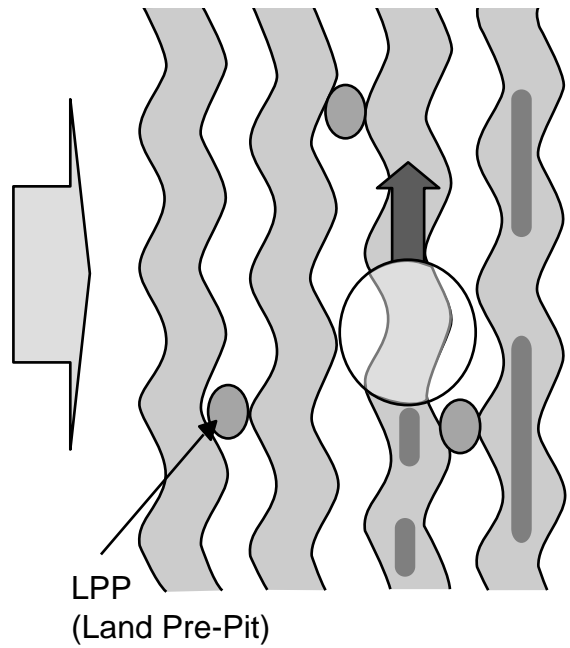
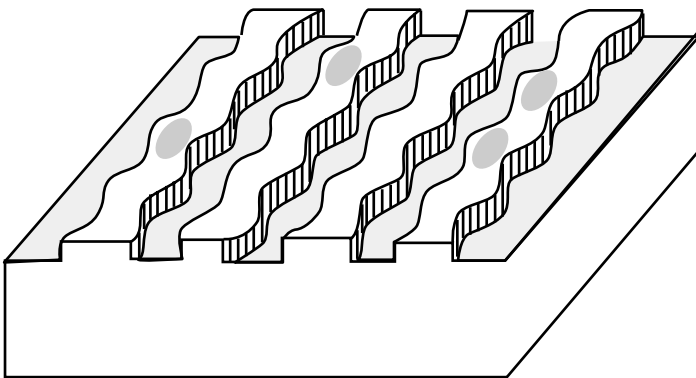
# The differences of DVD-R/RW, DVD+R/RW discs and DVD-ROM

## 1. Recording Layer

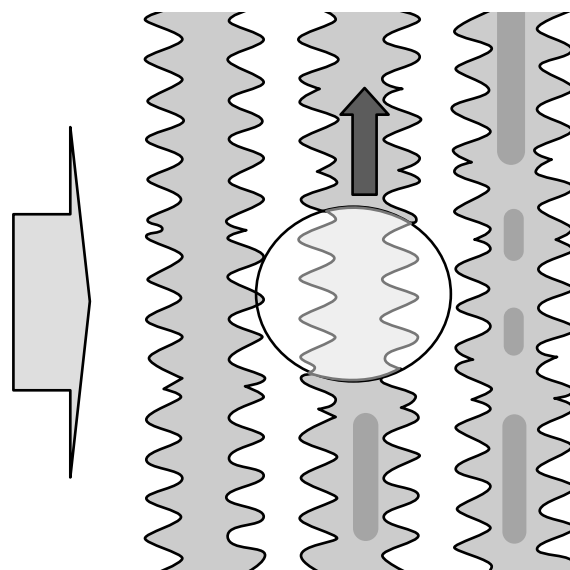
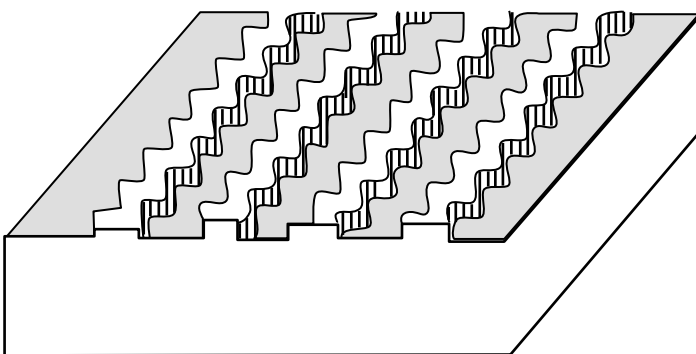
DVD-ROM (Read Only Disc)



DVD-R/RW Disc



DVD+R/RW Disc

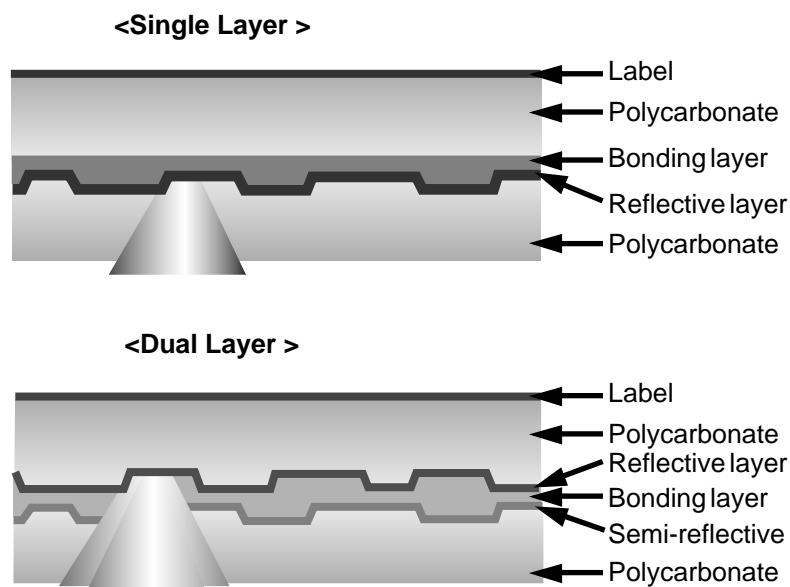


## 2. Disc Specification

	DVD-ROM		DVD-R	DVD-RW	DVD+R	DVD+RW
	Single-Layer	Dual-Layer				
Media Type	Read Only	Read Only	Dye	Phase change	Dye	Phase change
User data capacity	4.7GB	8.54GB	4.7GB	4.7GB	4.7GB	4.7GB
Wavelength	650nm	650nm	650nm	650nm	650nm	650nm
Reflectivity	45~85%	18~30nm	45~85%	18~30%	45~85%	18~30nm
Track pitch	0.74 $\mu\text{m}$	0.74 $\mu\text{m}$	0.74 $\mu\text{m}$	0.74 $\mu\text{m}$	0.74 $\mu\text{m}$	0.74 $\mu\text{m}$
Minimum pit length	0.4 $\mu\text{m}$	0.44 $\mu\text{m}$	0.4 $\mu\text{m}$	0.4 $\mu\text{m}$	0.4 $\mu\text{m}$	0.4 $\mu\text{m}$
Modulation	>0.6	>0.6	>0.6	>0.6	>0.6	>0.6
Channel bit-rate	26.16MHz	26.16MHz	26.16MHz	26.16MHz	26.16MHz	26.16MHz
Wobble Frequency	-	-	140KHz	140KHz	817.4KHz	817.4KHz
Addressing	26.16MHz	26.16MHz	Wobble & LPP	Wobble & LPP	Wobble(ADIP)	Wobble(ADIP)
Read Power (mW)					0.7 $\pm$ 0.1	0.7 $\pm$ 0.1
Write Power (mW)	-	-				
Jitter	<8%	<8%	<8%	<8%	<9%	<9%

## 3. Disc Materials

### 1) DVD-ROM

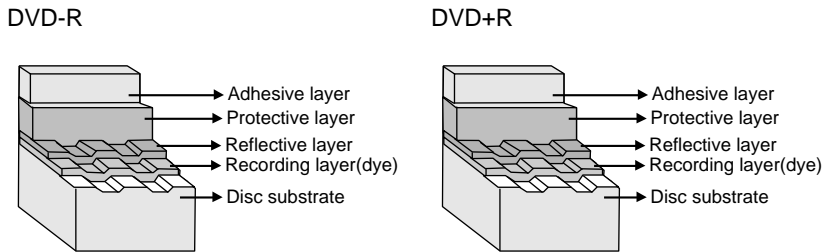




## 2) Recording format using organic dye material (DVD-R/DVD+R)

- \* The format that records data through the creation of recorded marks by changing the organic dye material with a laser beam.

### > Disc structure



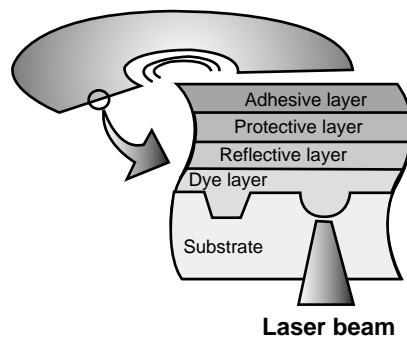
### > Disc structure

#### [Recording]

Recording is done by changing the organic dye layer and the substrate with a laser when a strong is applied to a disc, the temperature of the organic dye material goes up, the dye is decomposed and the substrate changes at the same time. At this time, a durable bit is created as is the case with a CD-ROM.

#### [Playback]

Signals are read with the differences of the reflection of a laser from pits.

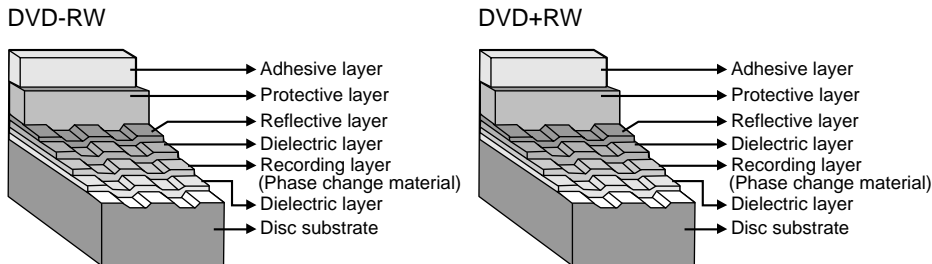


### 3) Recording format using phase-change recording material (DVD-RW/DVD+RW)

- \* Data is recorded by changing the recording layer from the amorphous status to the crystalline status, and played back by reading the difference of the reflection coefficient.

[ Amorphous : Non-crystalline ]

#### > Disc structure



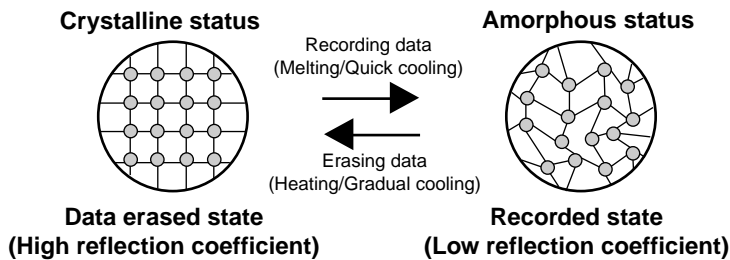
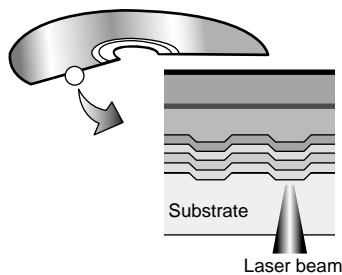
#### > Recording principles

[Recording]

When a high-power laser is applied to the recording material, it melts and then becomes amorphous with a low reflection coefficient when it quickly cools off. When a mid-power laser is applied to heat gradually the recording material and then gradually cools it off, it becomes crystal with a high reflection coefficient.

[Playback]

A low-power laser is used for playback. The amount of reflected light depends on the status (amorphous or crystalline) of the recording material. This is detected by an optical sensor.



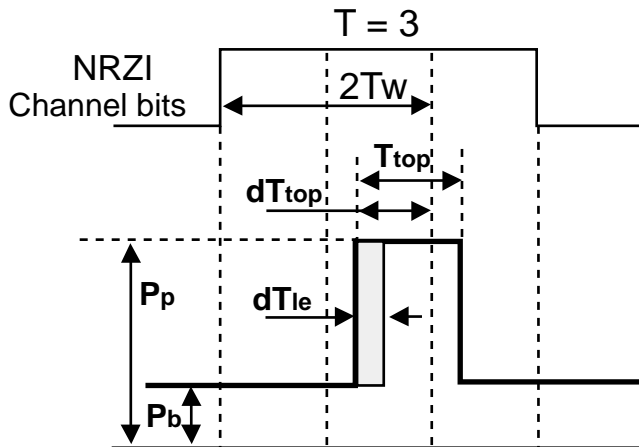
## 4. Writing Pulse Wave Form of DVD+R

For different speed ranges, different write strategies can be used. This document specifies 2 options:

- a pulsed write strategy, where each single mark is created by a number of subsequent separated short pulses.
- a blocked write strategy, where each single mark is created by one continuous pulse.

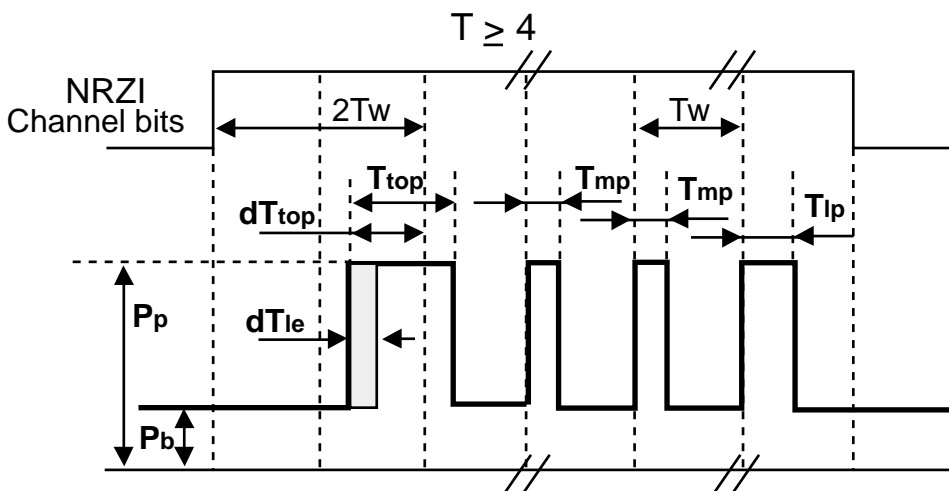
### 1) 1<sup>st</sup> Method : Using Pulsed Write Strategy

\* 3T :



➔ **N = 3 : only the top pulse ( $T_{top}$ ), first pulse lead-time  $dT_{top}$ ,  $dT_{1e}$**

\*  $\geq 4T$  :

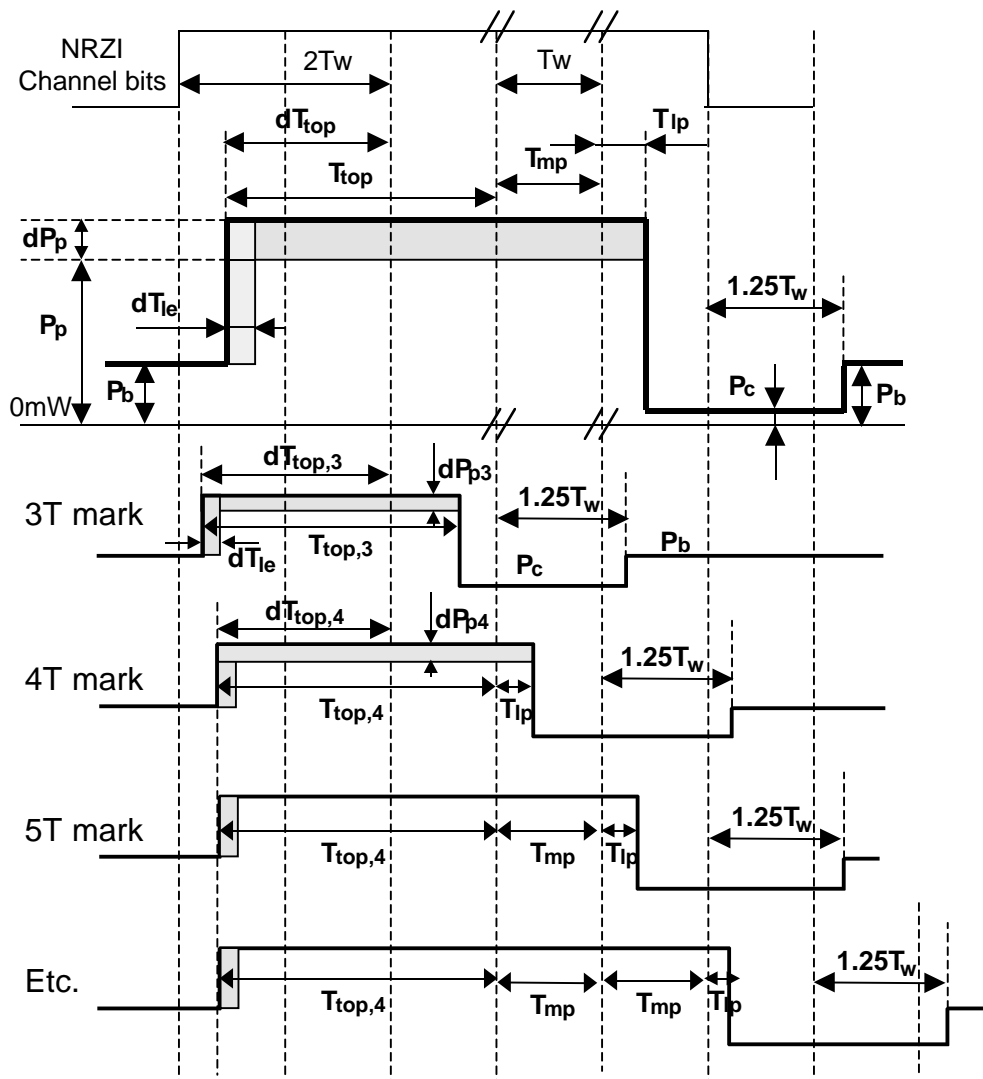


➔ **N  $\geq 4$  : the top pulse ( $T_{top}$ ), multi-pulse ( $T_{mp}$ ) and last pulse ( $T_{lp}$ ), first pulse lead-time  $dT_{top}$ ,  $dT_{1e}$**

$P_p$  : Actual write power

$P_b$  : Bias Power

## 2) 2<sup>st</sup> Method : Using Blocked Write Strategy



- $\Rightarrow$   **$N = 3$  :  $T_{top}$  (cm = 3) can be optimized individually.**  
 **$N \geq 4$  :  $T_{top}$  (cm  $\geq 4$ ) + (N-3) x  $T_w$  +  $T_{Ip}$  ,  $T_w = T_{mp}$**   
 **$P_c$  shall be  $< 0.1mW$**

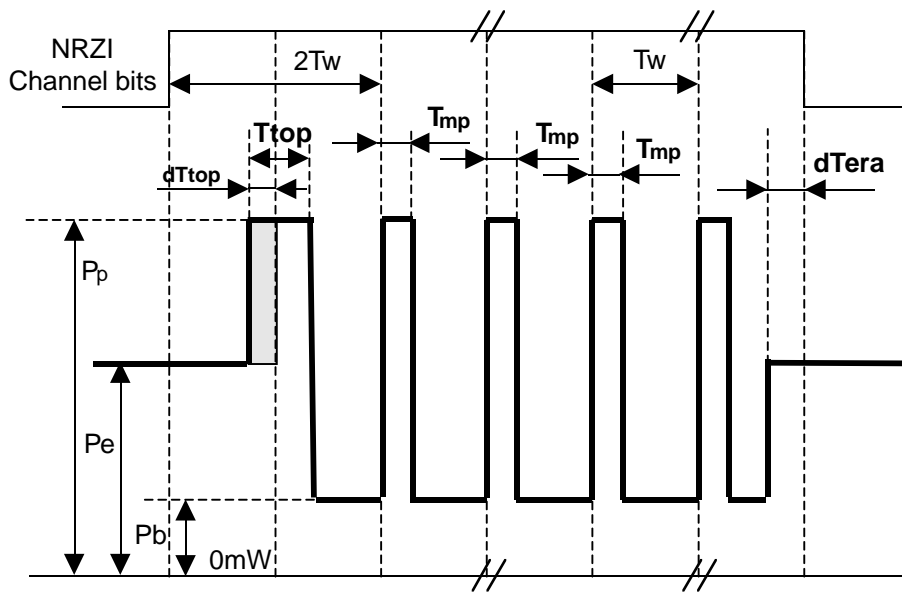
$P_p$  : Actual write power

$P_b$  : Bias Power

$dP_p$  : Additional power ( Only be applied for the 3T and 4T marks)

$P_c$  : Cooling power (Especially at higher recording speeds, optimum cooling down of the recording layer after writing a mark may be needed.)

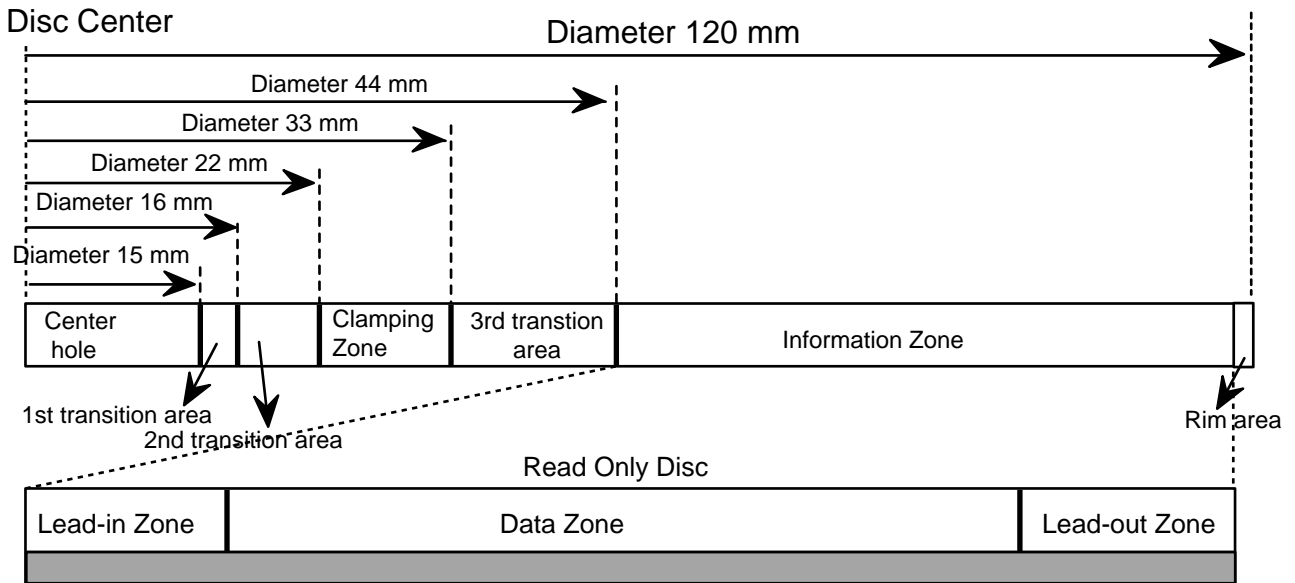
## 5. Writing Pulse Wave Form of DVD+RW



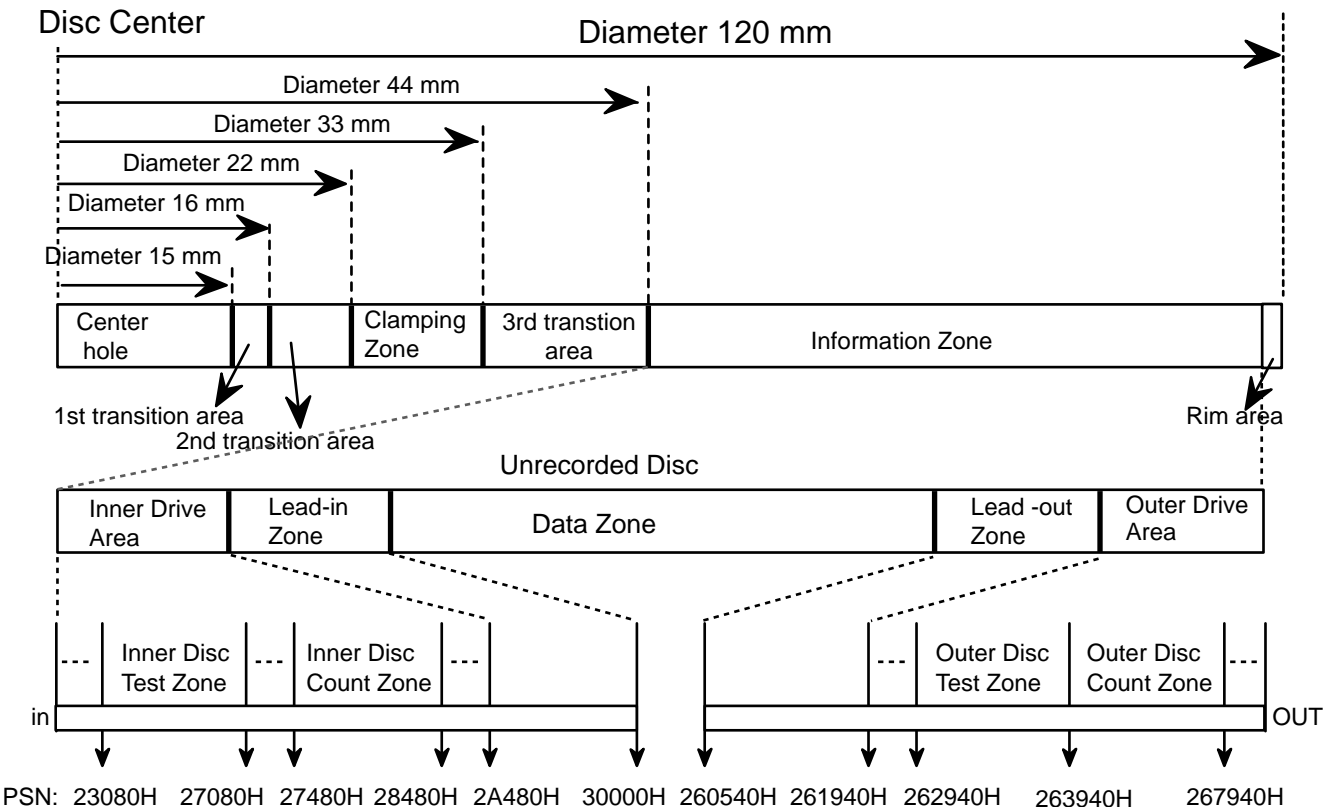
$P_p$  : Actual write power  
 $P_e$  : Erase Power  
 $P_b$  : Bias Power

## 6. Organization of the Inner Drive Area, Outer Drive Area, Lead-in Zone and Lead-out Zone

### 1) Layout of DVD-ROM disc

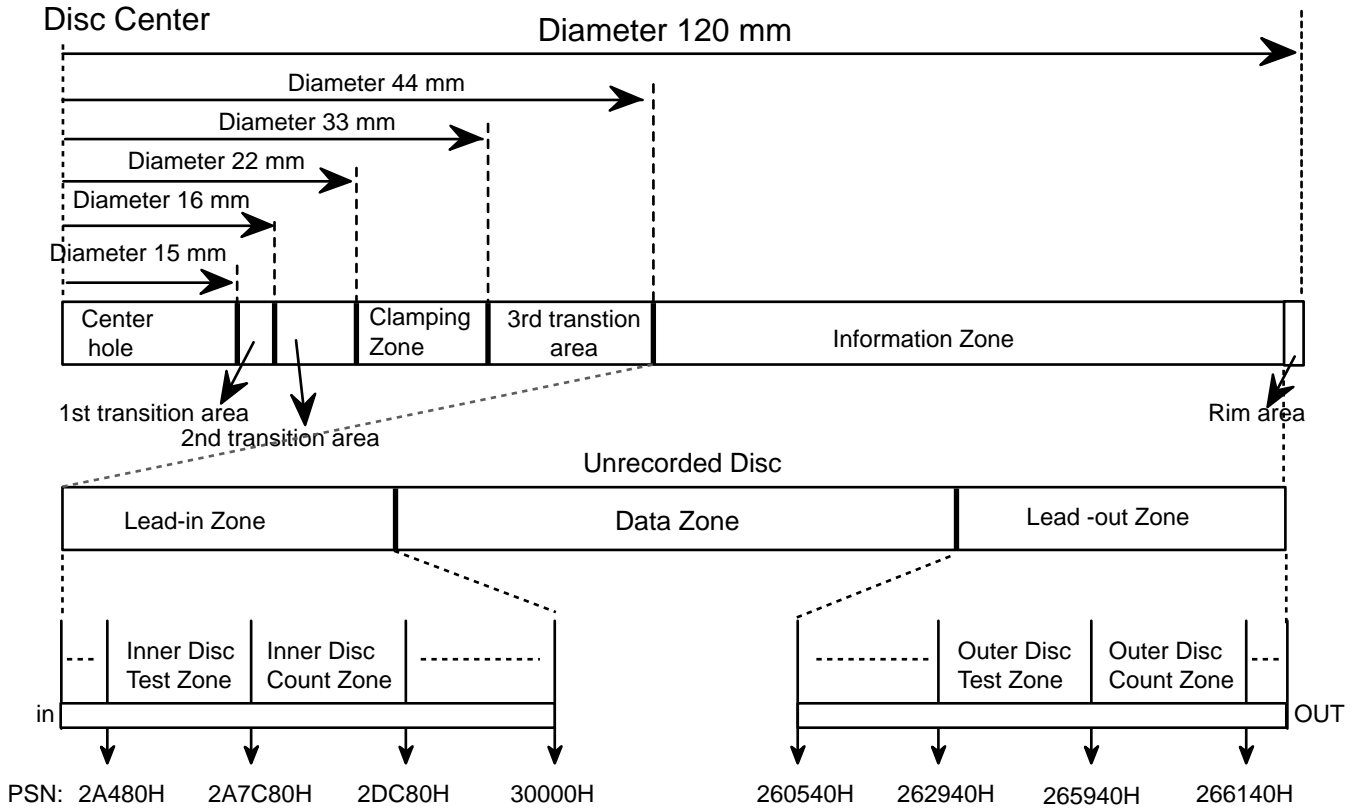


### 2) Layout of DVD+R disc



- > Inner Disc Test Zone : for performing OPC procedures.
- > Inner Disc Count Zone : for counting the number of OPC algorithm performed in IDT Zone.
- > Outer Disc Test Zone : for performing OPC procedures.
- > Outer Disc Count Zone : for counting the number of OPC algorithm performed in IDT Zone.

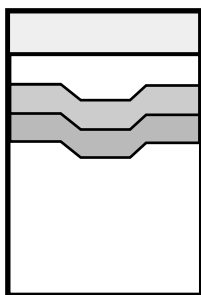
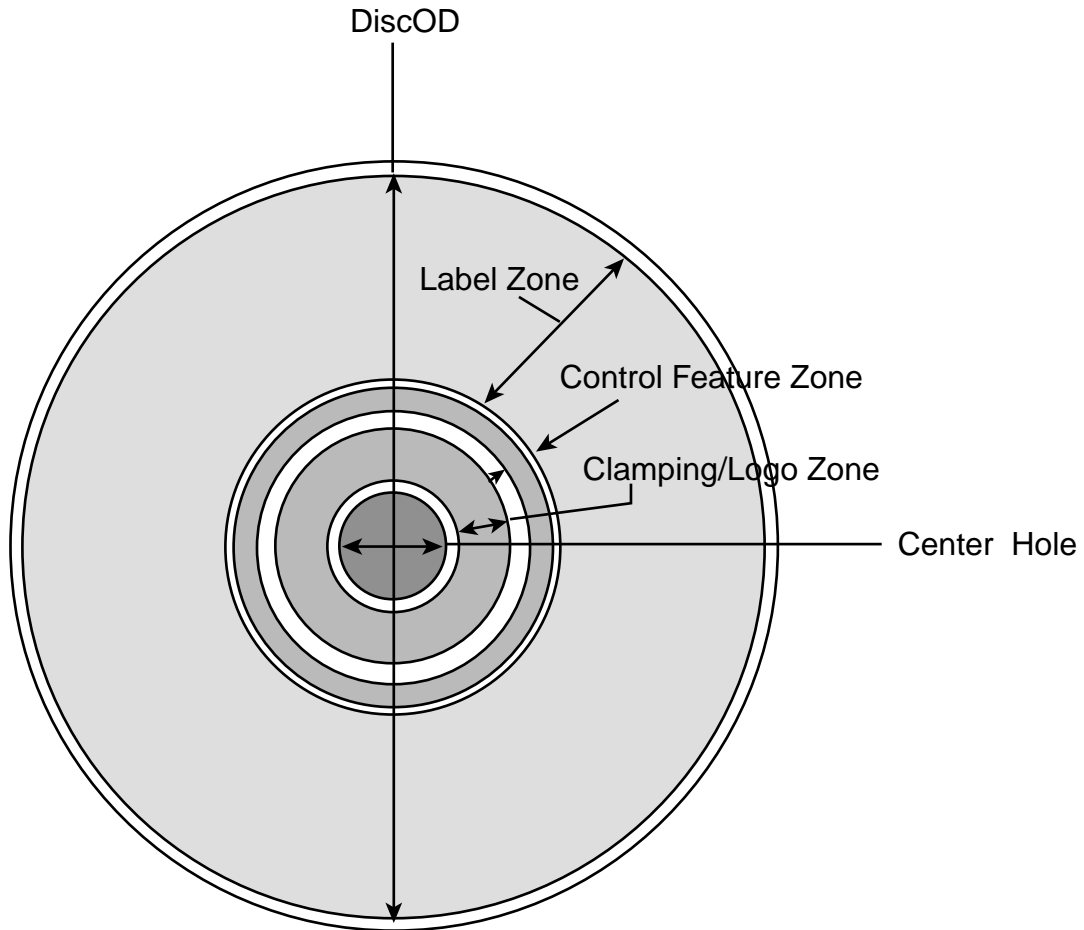
### 3) Layout of DVD+RW disc



- > Inner Disc Test Zone : for performing OPC procedures.
- > Inner Disc Count Zone : for counting the number of OPC algorithm performed in IDT Zone.
- > Outer Disc Test Zone : for performing OPC procedures.
- > Outer Disc Count Zone : for counting the number of OPC algorithm performed in IDT Zone.

# LightScribe Media

## 1. LightScribe Media

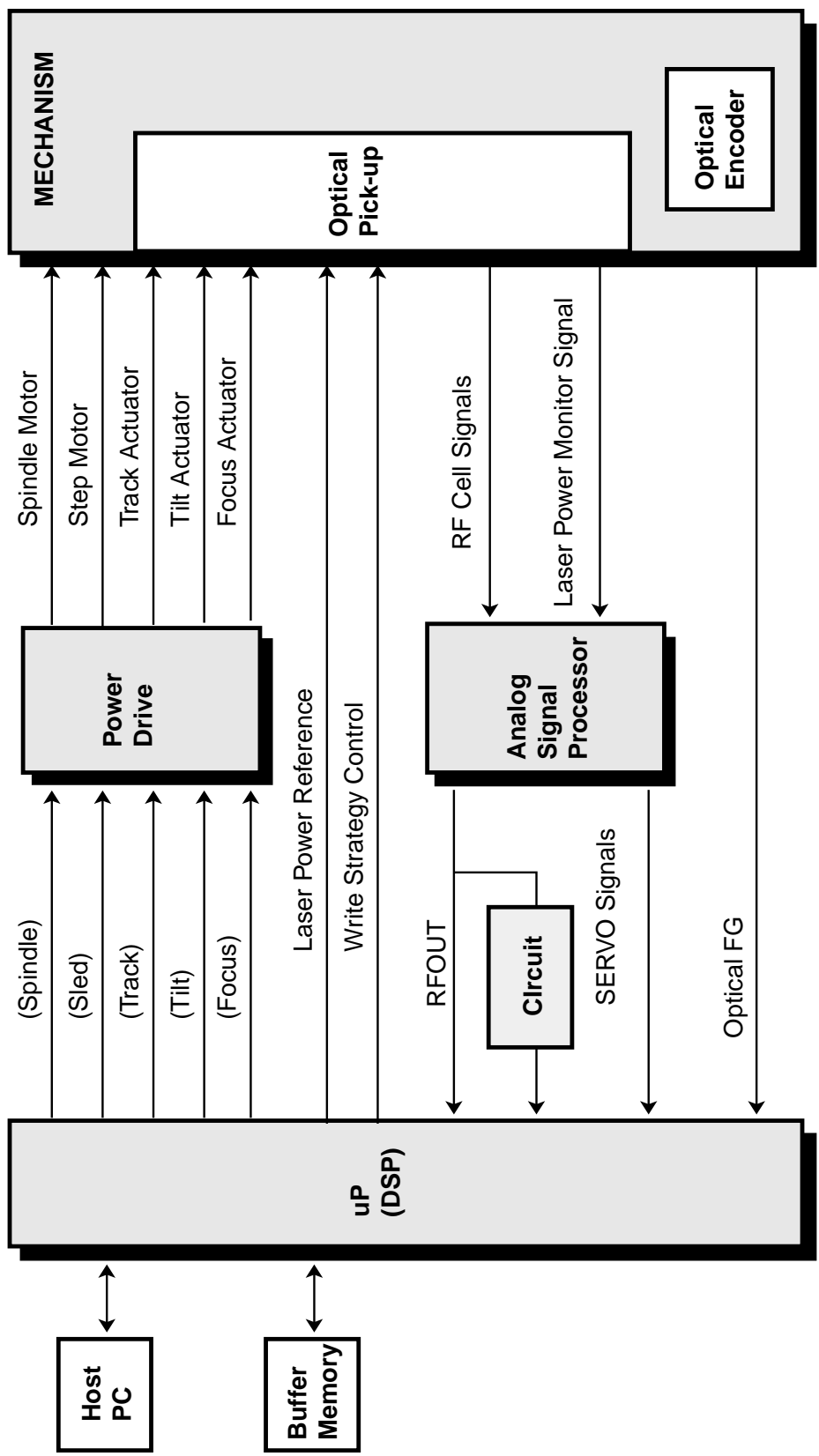


Screen Printed Imaging Layer  
Clear Protective Coating  
Reflective/Thermal Layer  
Dye Data Layer

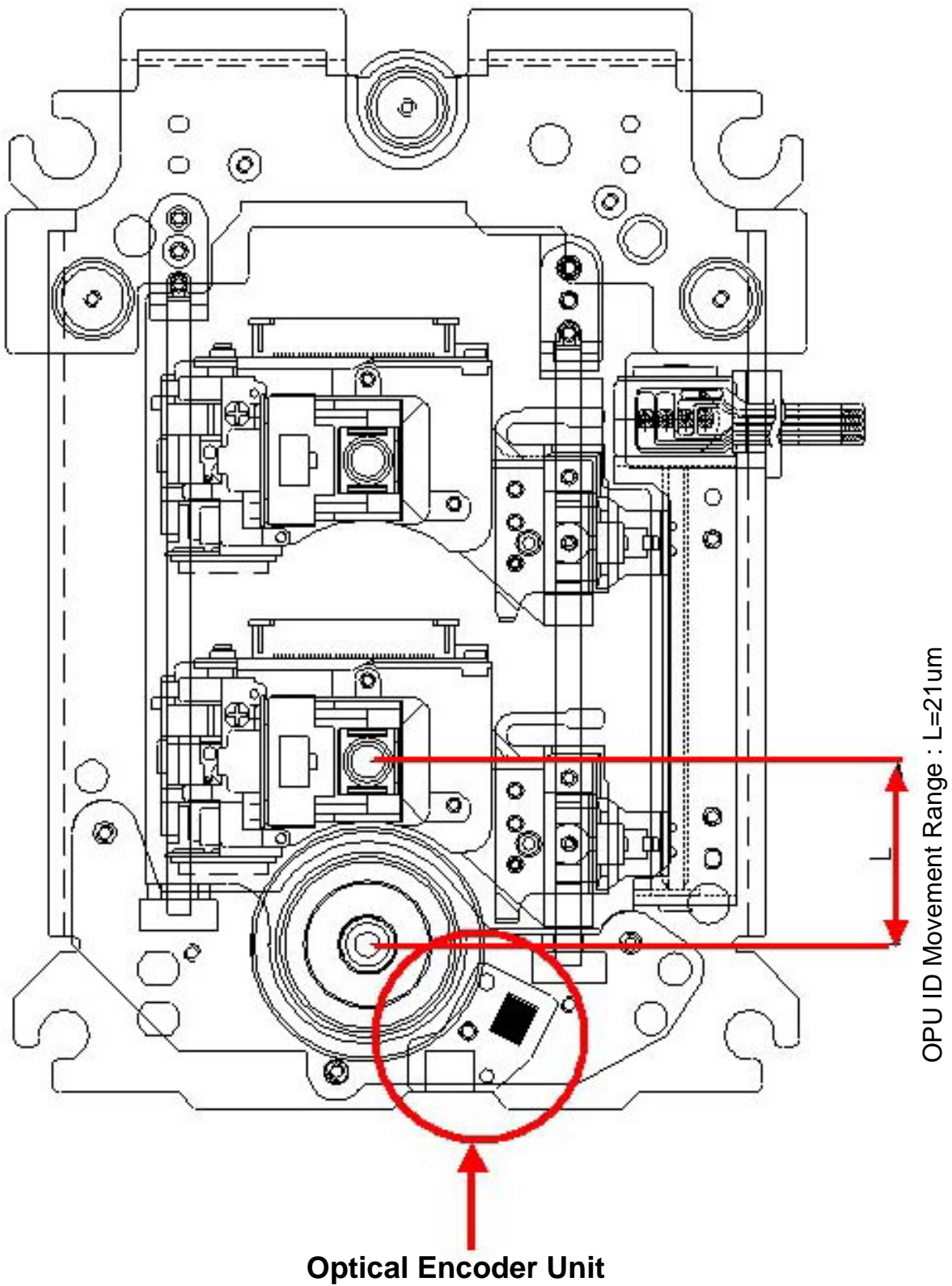
Polycarbonate  
Substrate



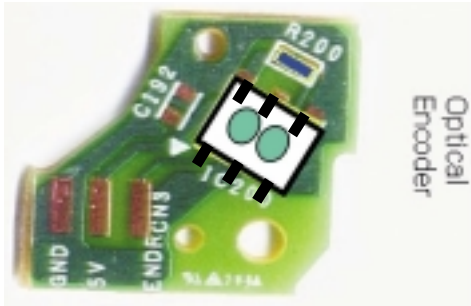
## 2. Hardware Block Diagram of LightScribe Label Printing



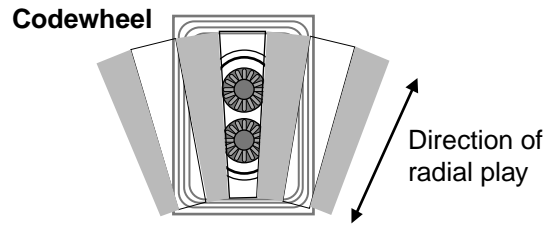
### 3. MD Assy For LightScribe



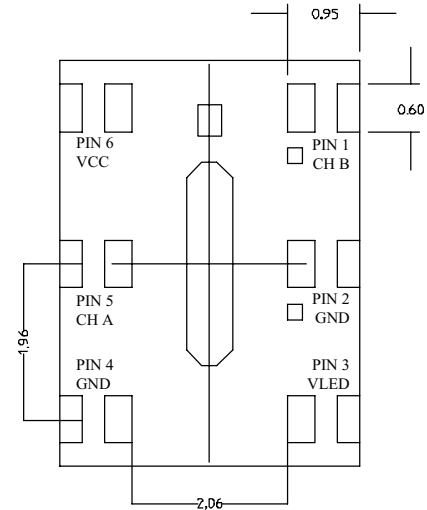
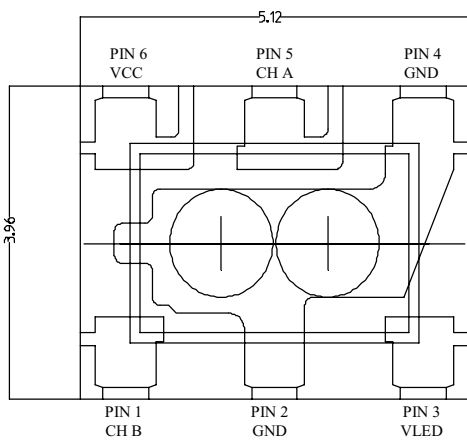
# 4. Optical Encoder Assy



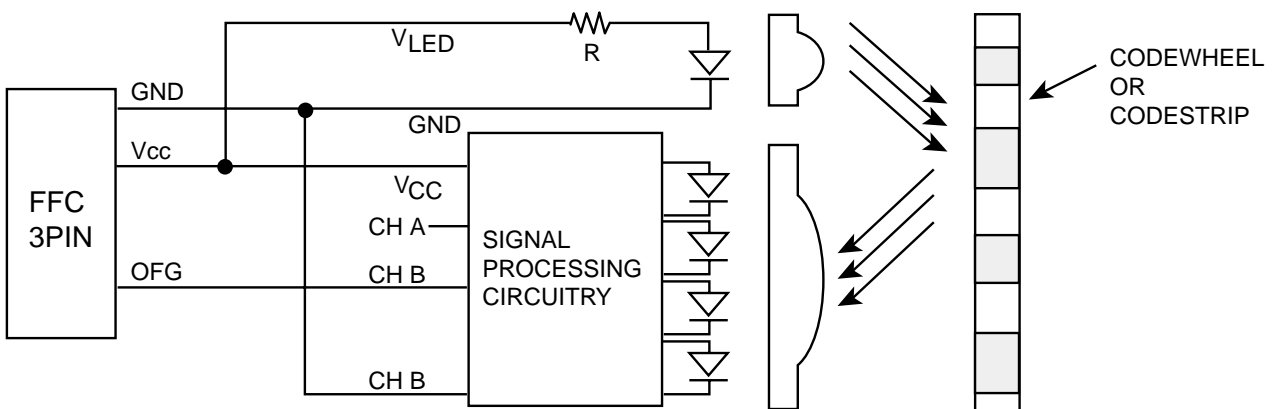
Encoder PCB



Optical Encoder IC

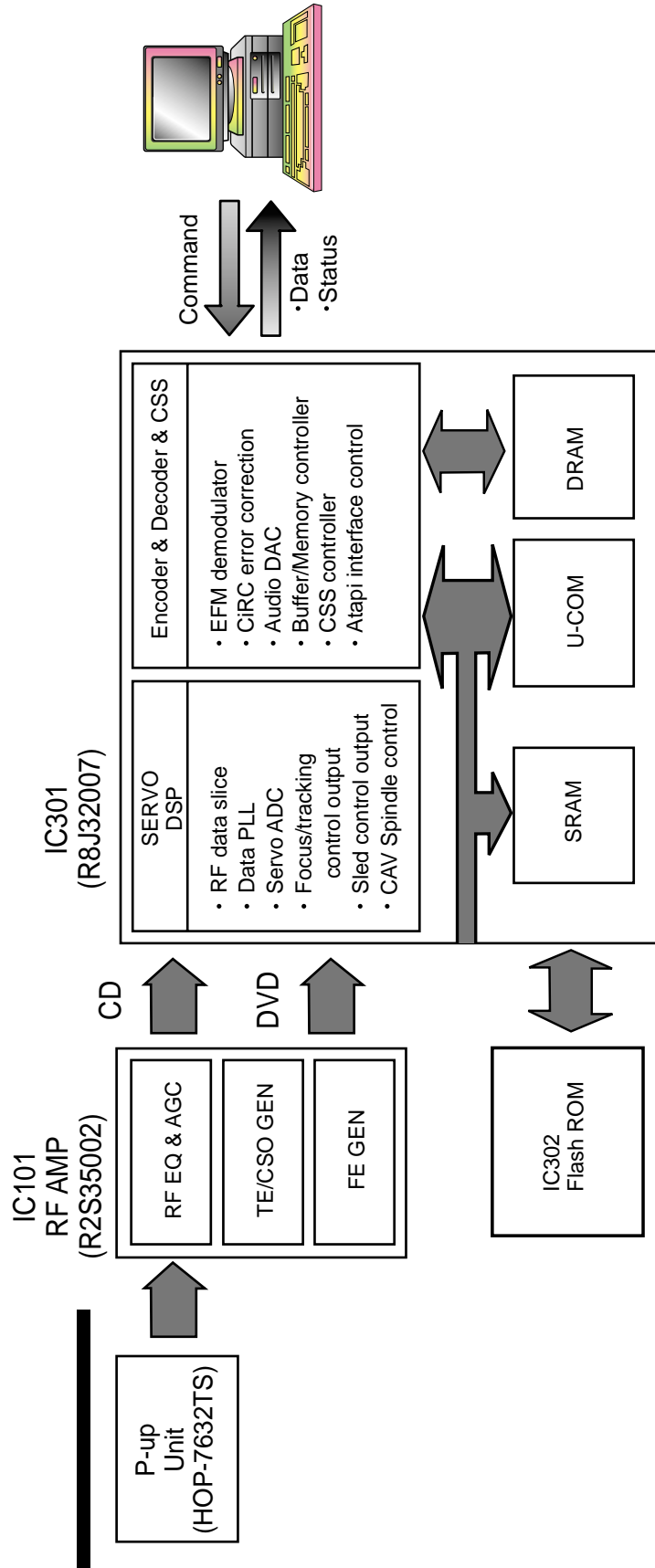


Schematic of Enc PCB



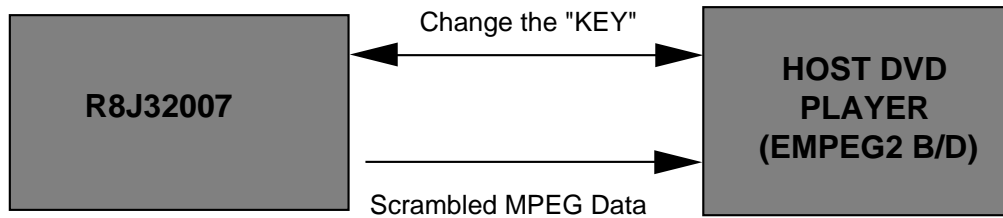
# DVD & CD DATA PROCESSING

## 1. Data Processing Flow



## 2. Copy Protection and Regional Code Management Block

### Block Diagram



### KEY Management Control

#### Brief Process

##### 1. Regional Code for DVD Disc

- DVD-ROM drive transfers the regional code of the control data to host by the command of host, the DVD player of host reads the regional code, and plays title in the case of allowed regional code only.

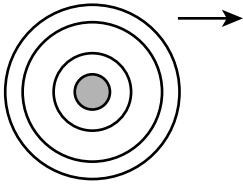
##### 2. Management of DVD Disc for the scrambled of data

- (1) DVD-ROM and DVD player of host generate the "KEY 1" respectively, transfer to opposite part, the "KEY 2" is received, recognizes the data transfer or not with this value, and generates the bus key encoded the data.
- (2) Encoded "Disc Key" and "Title Key" host is transfer with the bus Key.
- (3) DVD player of host reads the key value, and uses the value to restore the scrambled data.

\* Refer to the next page for the details.

### 3. About Prevention the DVD-ROM from to be copy

A data is able to encode and record in the disc, if a copyright holder wants to prevent the disc from copying.



#### In case of a disc enhanced movie of 3 titles.....

DISC KEY (2048 Bytes) is used to encode the whole contents in the disc and TITLE KEY (5 Bytes) is used to encode the title respectively.

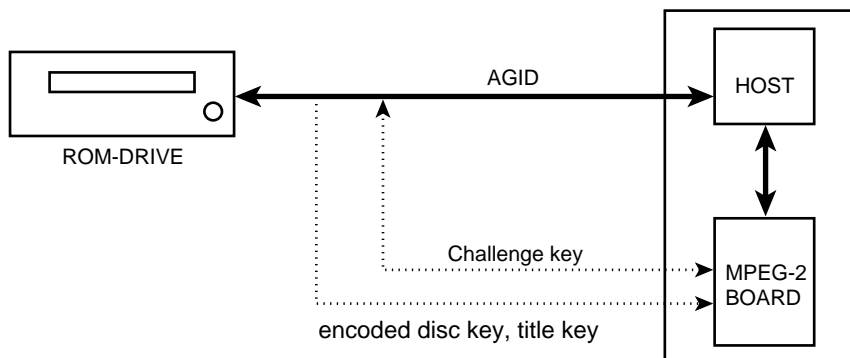
So, the data is encoded and stored in a disc through the unknown algorithms with a disc key and title key. (At this time, the disc key and title key are stored in a disc.)

...As above, the disc is able to copy when the disc key and title key are opened.

Then, ROM-DRIVE encodes the disc key and title key and transfers to MPEG-2 board.

#### If you want to play the disc prevented from the copy.....

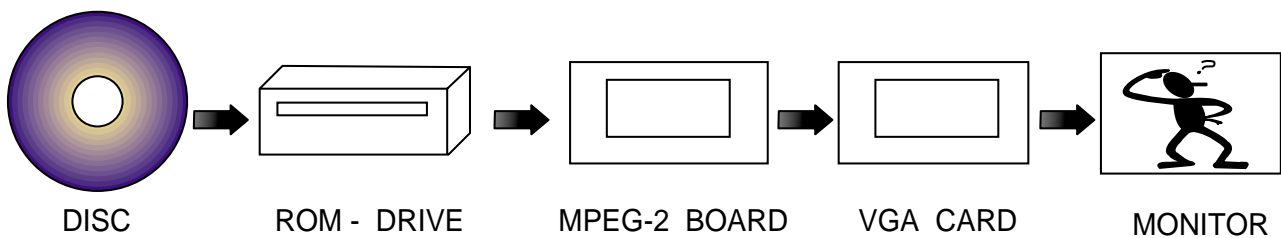
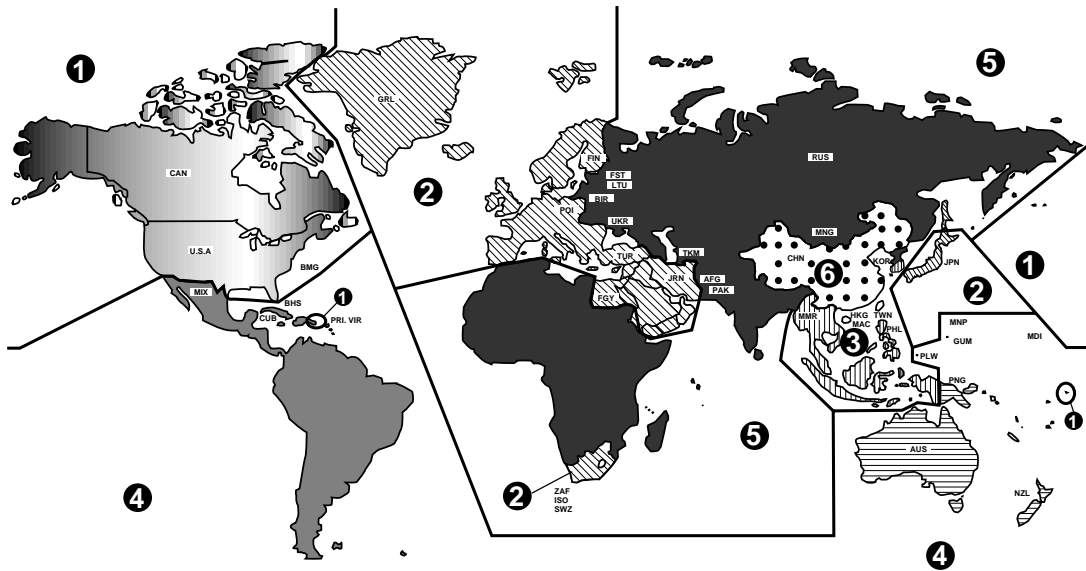
First of all, ROM-DRIVE and MPEG-2 board identify with each other through the procedure as described below.



1. Drive and host gives and takes the ID of 2bit. This ID is AGID (Authentication Grant ID).  
The various decoder boards are attached to the host, in these, AGID sets the MPEG-2 board and drive.
2. After the AGID is set, MPEG-2 board generates the challenge key (10 Byte) and transfers to drive. The board and drive generate key 1 (5Byte) with the challenge key respectively. (Of course, the Algorithm generating the key 1 is not known.)
3. Compare with the generated key 1, if it corresponds each other, the first step of authentication is completed. This is a course to identify the MPEG-2 board with a drive.
4. The second step of authentication is a course to identify a drive with the MPEG-2 board.  
The dirve generates a challenge key and transfers it to the MPEG-2 board. The dirve and MPEG-2 board generate the key 2 (5Byte) with the challenge key, compare with each other, and if it corresponds and the secondary step of authentication is completed.
5. As above, the identification is completed.
6. The dirve and MPEG-2 board generate the Bus key with the key 1 and key 2 and own it.
7. Dirve encodes the disc key and title key with this Bus key and transfers to the MPEG-2 board.
8. The MPEG-2 board reads the encoded disc key and title key with the Bus key only.
9. MPEG-2 board lets data read from the drive to decode with the read disc key and title key and makes into the video signal by decoding.

## 4. About the DVD-ROM Regional Code

### Regional code



The disc has the regional code of 8 bit.

**Example)**  
The disc manufactured in the U.S.A, has the number one.

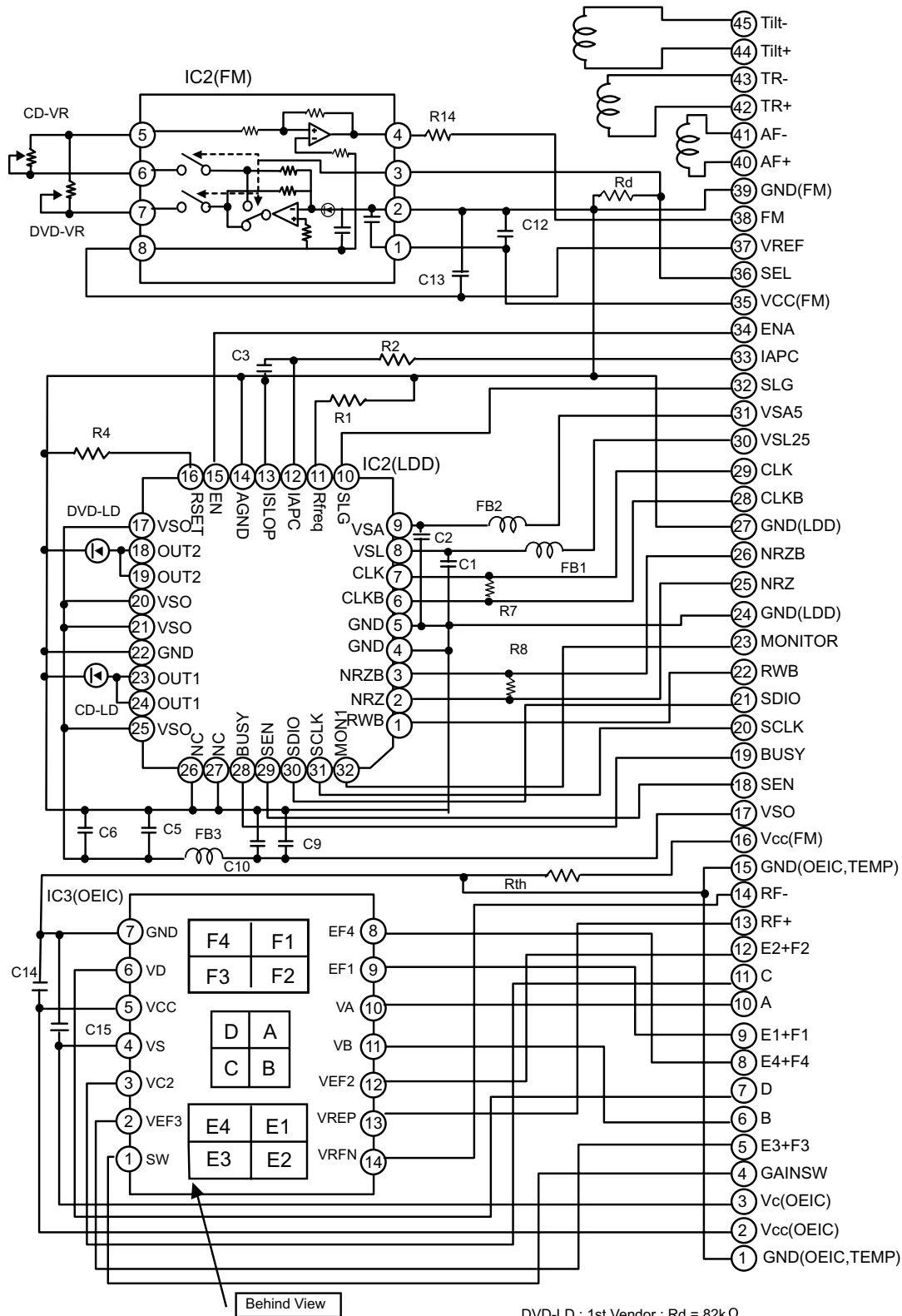
Transfer to MPEG-2 board reading the regional code.

If the board is setting to the regional code 1 for the U.S.A. ...  
Check the received regional code to number 1, all or not, transfer the data to VGA card in accordance with only a case among the three case.

Receiving data from the MPEG-2 board and output through the monitor

# INTERNAL STRUCTURE OF THE PICK-UP

## 1. Block Diagram of the PICK-UP(HOP-7632TS)

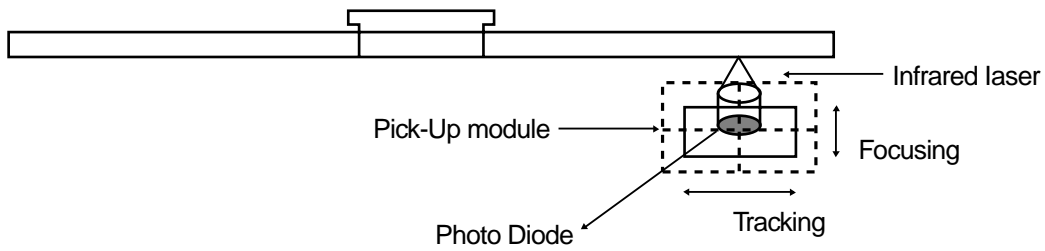




## 2. Pick up Pin Assignment

No.	Signal Name	I/O	Signal Description
1	GND(OEIC,TEMP)		Ground for OEIC
2	Vcc(OEIC)	I	Power supply for OEIC
3	Vc(OEIC)	I	Reference voltage input for OEIC
4	GAINSW	I	OEIC output gain control (High:Low gain, Middle:Middle gain, Low:High gain)
5	E3+F3	O	Single OEIC output EF3
6	B	O	Single OEIC output B
7	D	O	Single OEIC output D
8	E4+F4	O	Single OEIC output EF4
9	E1+F1	O	Single OEIC output EF1
10	A	O	Single OEIC output A
11	C	O	Single OEIC output C
12	E2+F2	O	Single OEIC output EF2
13	RF+	O	Single OEIC RF positive differential output
14	RF-	O	Single OEIC RF negative differential output
15	GND(OEIC.TEMP)	O	Ground for OEIC and TEMP
16	TEMP	O	Output voltage for controlling temperature
17	VSO	I	Supply voltage for the output drivers only
18	SEN	I	Serial control enable (H=enable, L=disable)
19	BUSY	O	Goes high when serial transfer to timing memory is active
20	SCLK	I	Serial control clock
21	SDIO	I/O	Serial data for parameters and control ; in/out
22	RWB	I	Write enable for NRZ laser data (L=write, H=read)
23	MONITOR	O	Monitor output
24	GND(LDD)		Ground connection for LD Driver-IC
25	NRZ	I	NRZ laser data (H=mark, L=space) (LVDS+)
26	NRZB	I	NRZ laser data (H=mark, L=space) (LVDS-)
27	GND(LDD)		Ground connection for LD Driver-IC
28	CLKB	I	CLOCK for NRZ code input (LVDS-)
29	CLK	I	CLOCK for NRZ code input(LVDS+)
30	VSL25	I	Supply voltage for 2.5V logic
31	VSA5	I	Supply voltage for PLL only
32	SLG	I	Land/groove input selects the power register set (H=land, L=groove)
33	IAPC	I	A low impedance current input ; 100xIAPC from to the output
34	ENA	I	Fast chip enable input
35	VCC(FM)	I	Power supply for FM
36	SEL	I	Low: selects DVDFMOUT High: selects CDFMOUT
37	VREF	I	APC amplifier reference voltage input
38	FM	O	APC amplifier output
39	GND(FM)		Ground connection for FM
40	AF+	I	Focusing Actuator drive signal+
41	AF-	I	Focusing Actuator drive signal-
42	TR+	I	Tracking Actuator drive signal+
43	TR-	I	Tracking Actuator drive signal-
44	Tilt+	I	Tilting Actuator drive signal+
45	Tilt-	I	Tilting Actuator drive signal-

### 3. Signal detection of the P/U



#### 1) Focus Error Signal ==> $(A+C)-(B+D)$

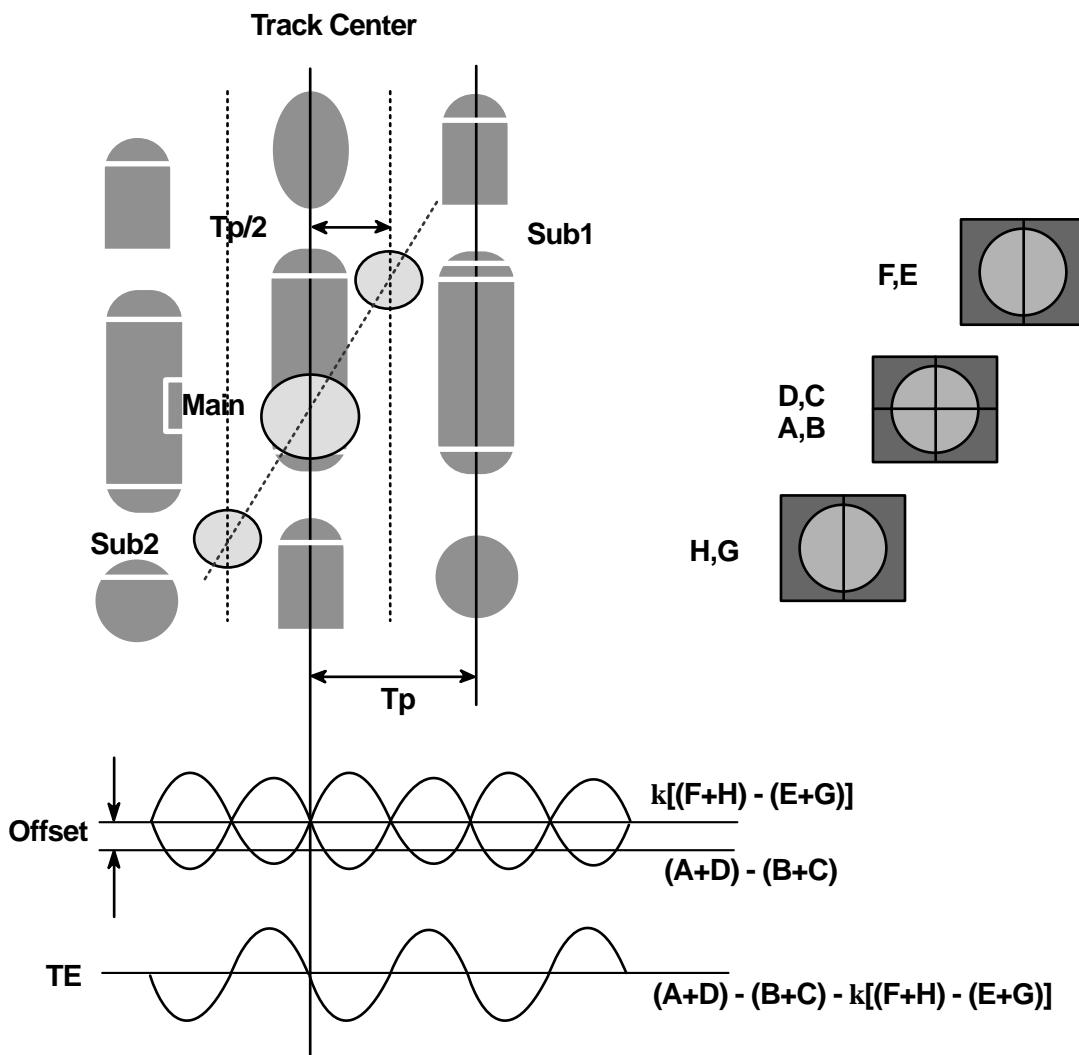
This signal is generated in RF IC (IC101 : R2S35002) and controls the pick-up's up and down to focus on Disc.

#### 2) Tracking Error Signal (DPP Method) ==> $\{(A+D)-(B+C)\} - k \times \{(EF_1+EF_4)-(EF_2+EF_3)\}$

This signal is generated in RF IC (IC101 : R2S35002) and controls the pick-up's left and right shift to find to track on Disc.

#### 3) RF Signal ==> $(A+B+C+D)$

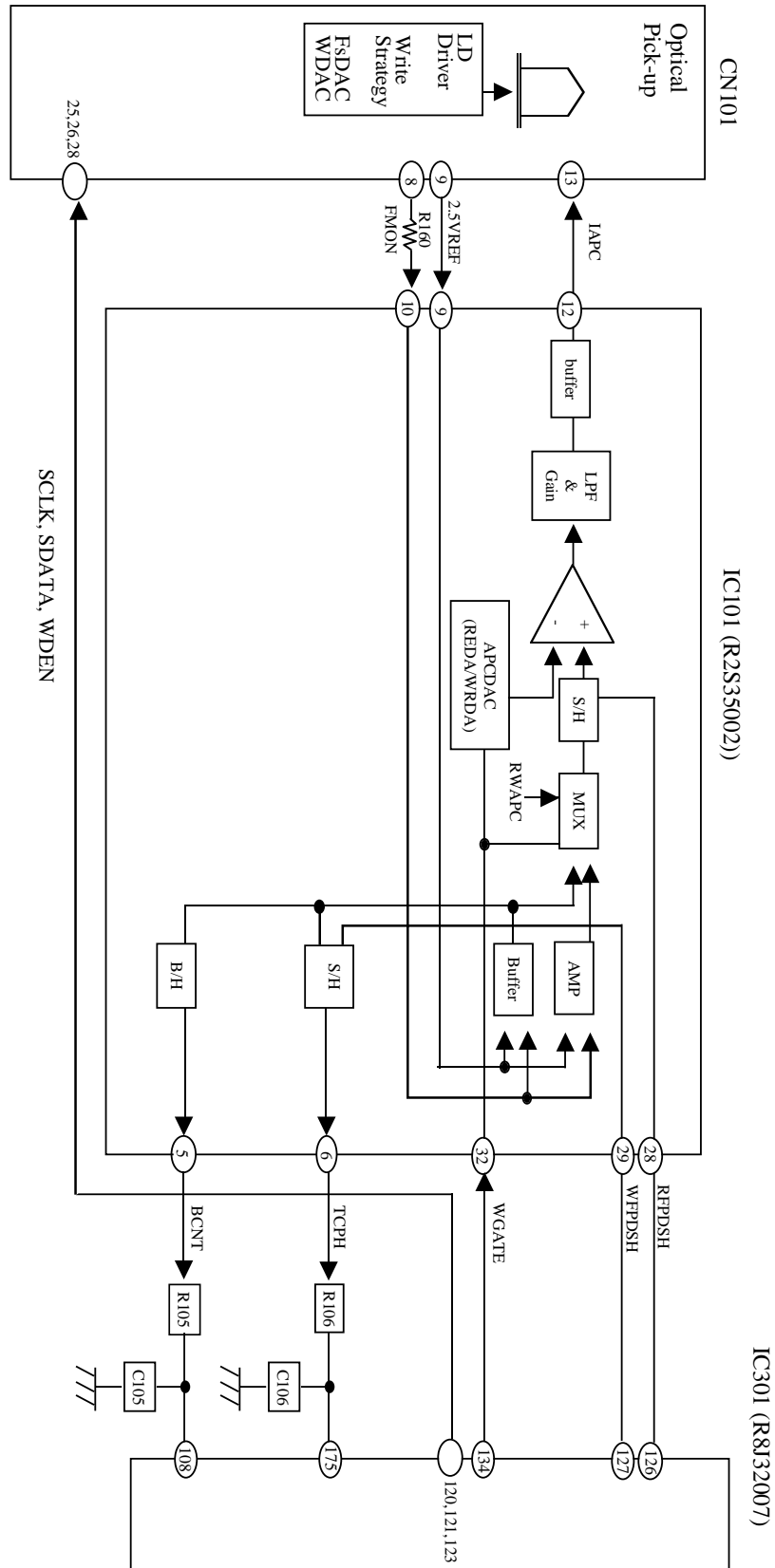
This signal is converted to DATA signal in DSP IC (IC301 : R8J32007).



# DESCRIPTION OF CIRCUIT

## 1. ALPC (Automatic Laser Power Control) Circuit

### 1-1. Block Diagram



## 1-2. ALPC (Automatic Laser Power Control) Circuit

ALPC function DVD/CD analog front-end IC(IC101 R2S35002) is for constant power control purpose. Based on the accurate power sensor(FMON) in P/U, ALPC feedback loop maintains constant power level against laser diode's temperature variation.

The ALPC loop amplifies(10x) the FMON signal to enhance the accuracy of read power level control. Switching of amplification is made by combination of a logical WGATE signal and a logical RWAPC signal.

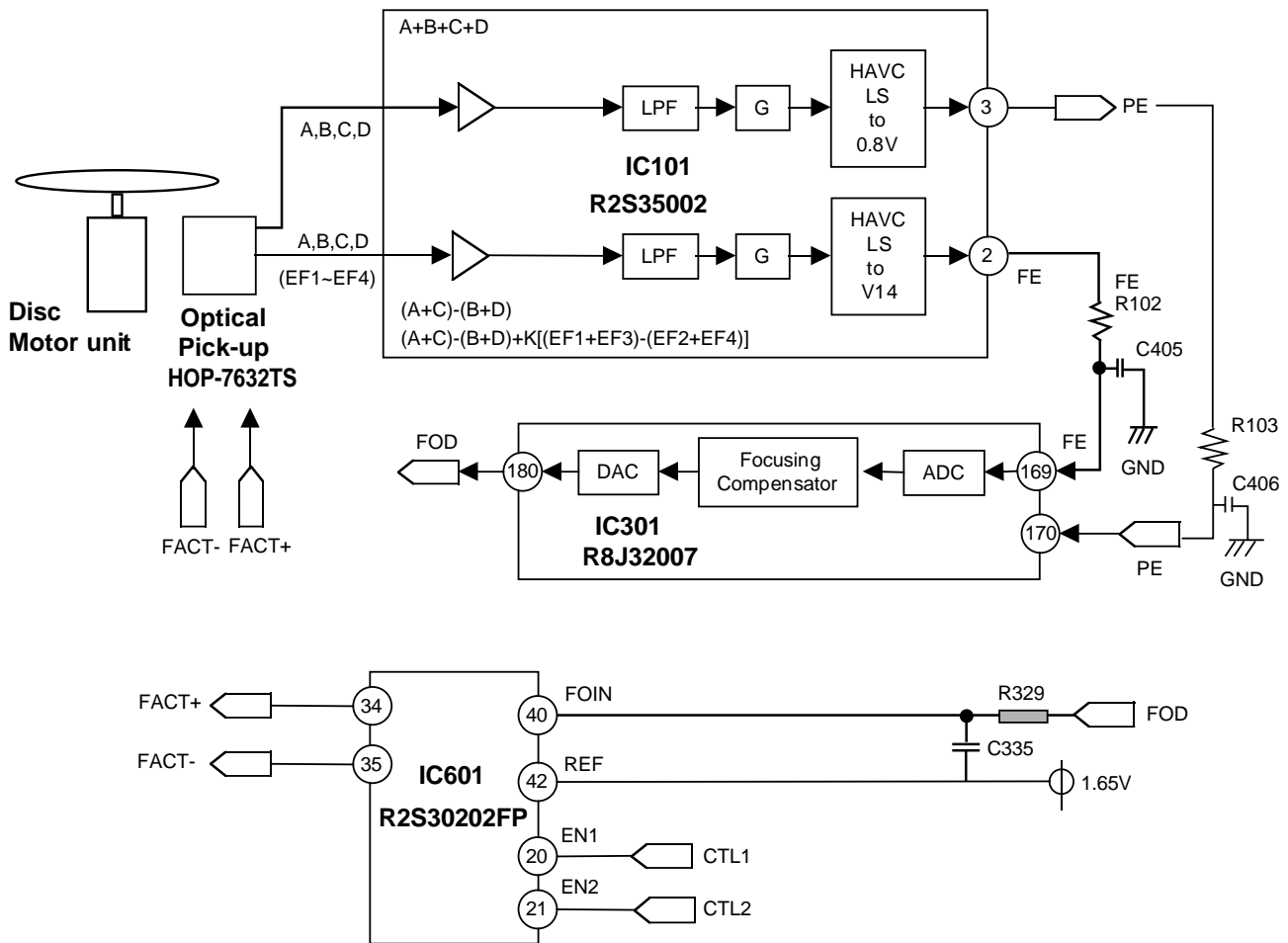
There are two set of APCDAC, which are used at different term to monitor different power level. Generally, the one is used at reading and the other one is used at writing. The logical WGATE signal which is switched between reading and writing changes the two APCDAC.

The ALPC loop supplies same current (IAPC) to Laser Diode Driver(LDD) during reading and writing.

There is another ALPC which controls Full-Scale-DAC (FsDAC). FsDAC determines scale of WDAC of Laser Diode Driver. MPU monitors write-power level of FMON signal and changes FsDAC directly to maintain constant write-power level. There are two write power signal. The one is based on S/H signal and the other one is based on B/H(Bottom-Hold) signal. The write power levels are monitored as digital levels which are converted by built-in Analog-Digital Converter in DSP. The MPU monitors each write power level and calculates proper setting of FsDAC, and changes value through serial interface between LDD and DSP.

## 2. Focus Circuit

### 2-1. Block Diagram



### 2-2. Focus Servo

The aim of Focus Servo is to maintain the distance between object lens of P/U and disc surface, so that the detected RF signal(A, B, C, D, EF1, EF2, EF3, EF4) can be maximized.

Focus Error Signal(FE) generates from focus error detection block in RF IC(R2S35002) using Conventional Astigmatism Detection method, Differential Astigmatism Detection method.

Focus Gain and path can be changed at the RF IC(R2S35002) according to the disc, and the resulting output FE(R2S35002 2pin) is input to DSP IC(R2S35002 169pin).

The Focus Search operation is using FE, PE Signal, therefore check FE, PE signals when Focusing is failed.

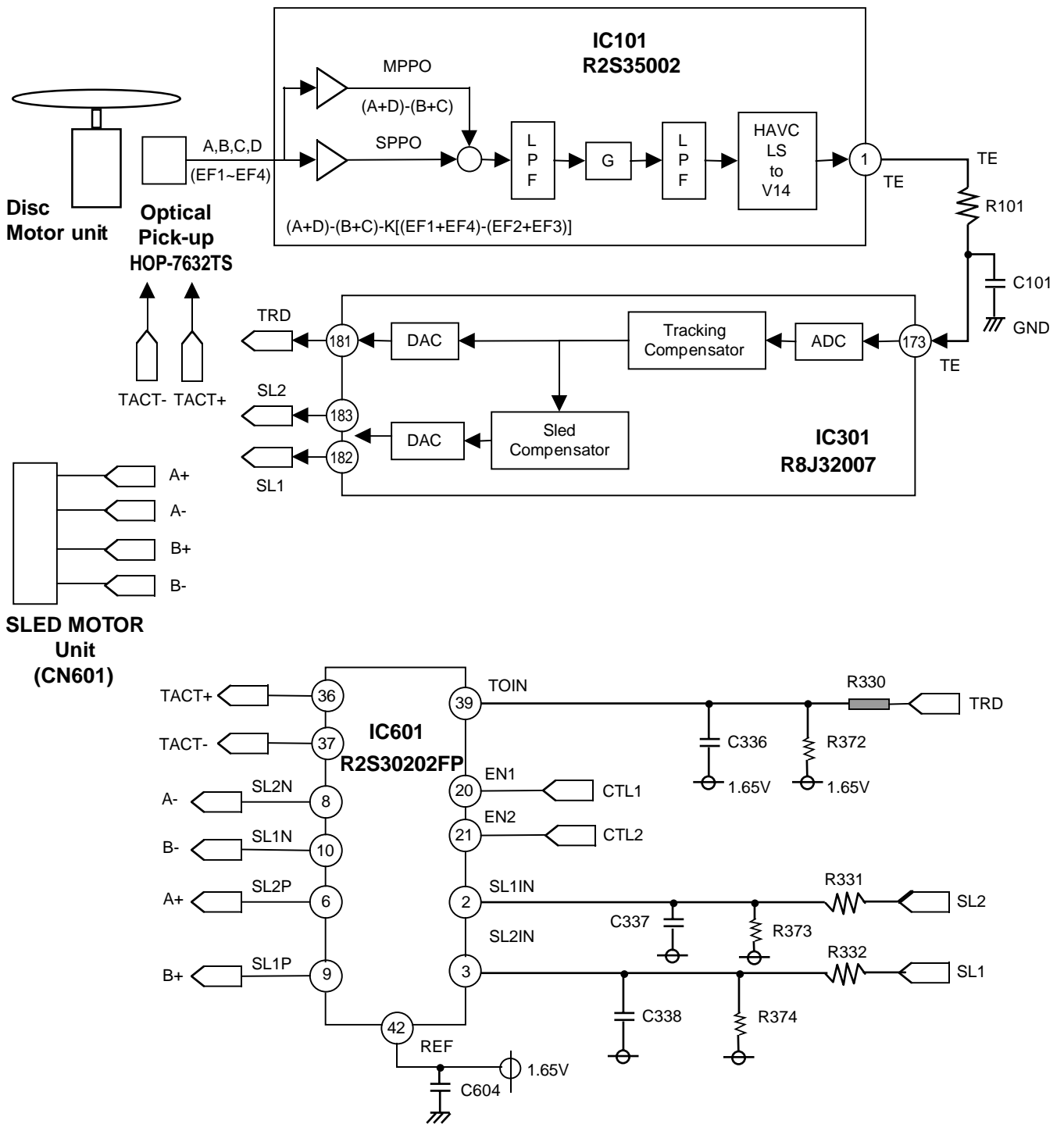
The role of DSP IC(R8J32007) is Focus Digital Controller. The operation path is as follows;

FE Signal is input to DSP IC(R8J32007 169pin), and after A/D Conversion, Digital Equalizer Block and D/A Conversion in R8J32006FP, the output signal FOD(R8J32007 180pin) is input to Drive IC(R2S30202FP 40pin).

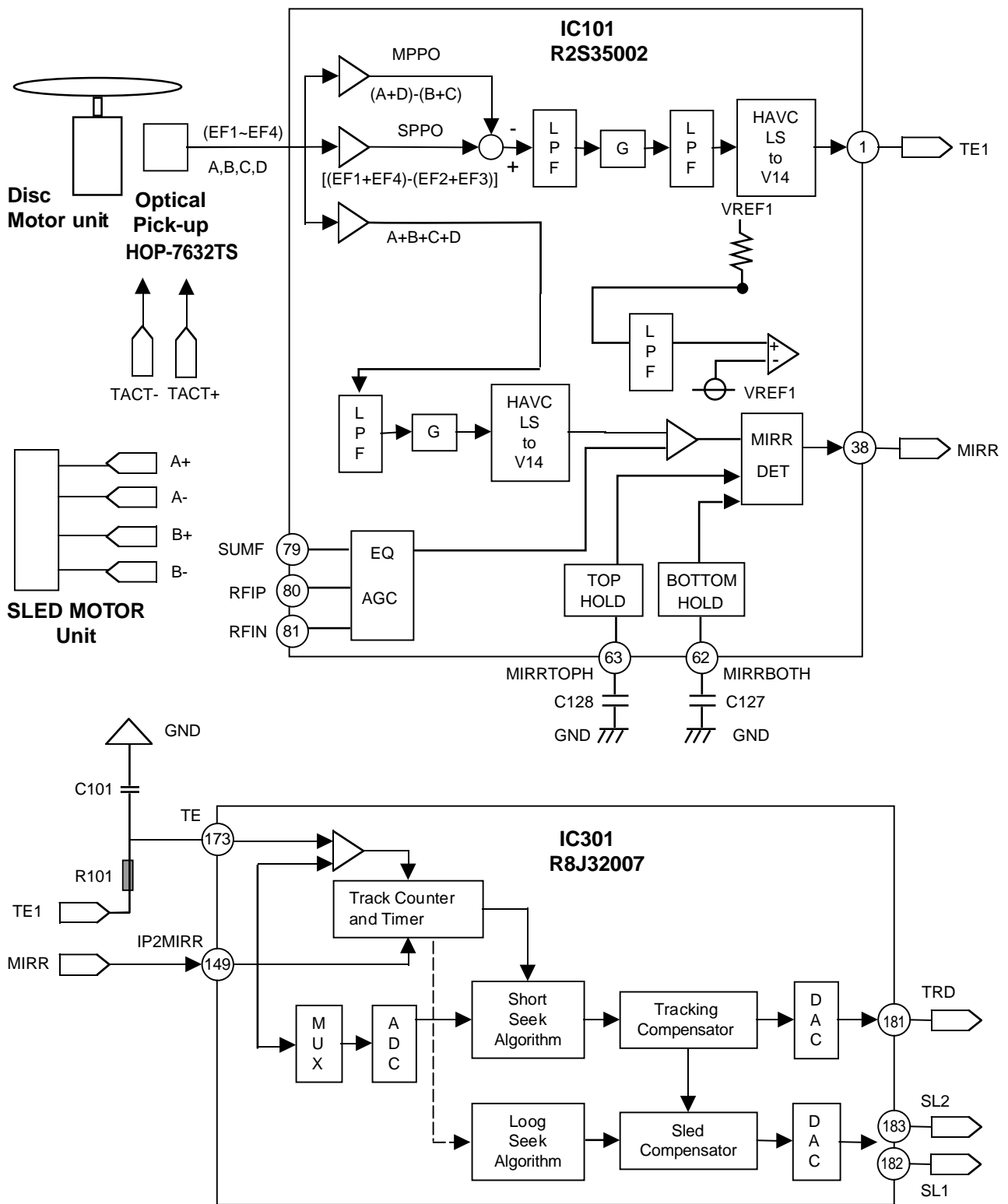
The drive output signal FACT+/FACT- generated according FOIN(R2S30202FP 40pin), and drives focus actuator in the P/U unit.

### 3. Tracking & Sled Circuit

#### 3-1-1. Block Diagram (Tracking Following)



### 3-1-2. Block Diagram (Seek)



### **3-2-1. Tracking Servo**

The aim of tracking servo is to make laser beam trace the data track on disc.

Tracking Error(TE) Signal is generated from tracking error detected block in R2S35002 using DPP(Differential Push-Pull) Method and DPD (Differential Phase Detection) Method.

DPP Method uses not only main beam(A, B, C, D) but also side beam(EF1~EF4) for correcting DC offset generated in Push-Pull Method.

The remaining procedure of TE signal processing in R8J32007 is similar to Focus Servo.

The role of DSP IC(R8J32007) is Tracking Digital Controller.

TE Signal is input to DSP IC(R8J32007 173pin), and after A/D Conversion, Digital Equalizer Block and D/A Conversion in R8J32007, the output signal TRD(R8J32007 181pin) is input to Drive IC(39pin).

The drive output signal TACT+/TACT- generated according TOIN(R2S30202FP 39pin), and drives tracking actuator in the P/U unit.

### **3-2-2. Sled Servo**

The working distance of tracking actuator is too short to cover whole disc radius.

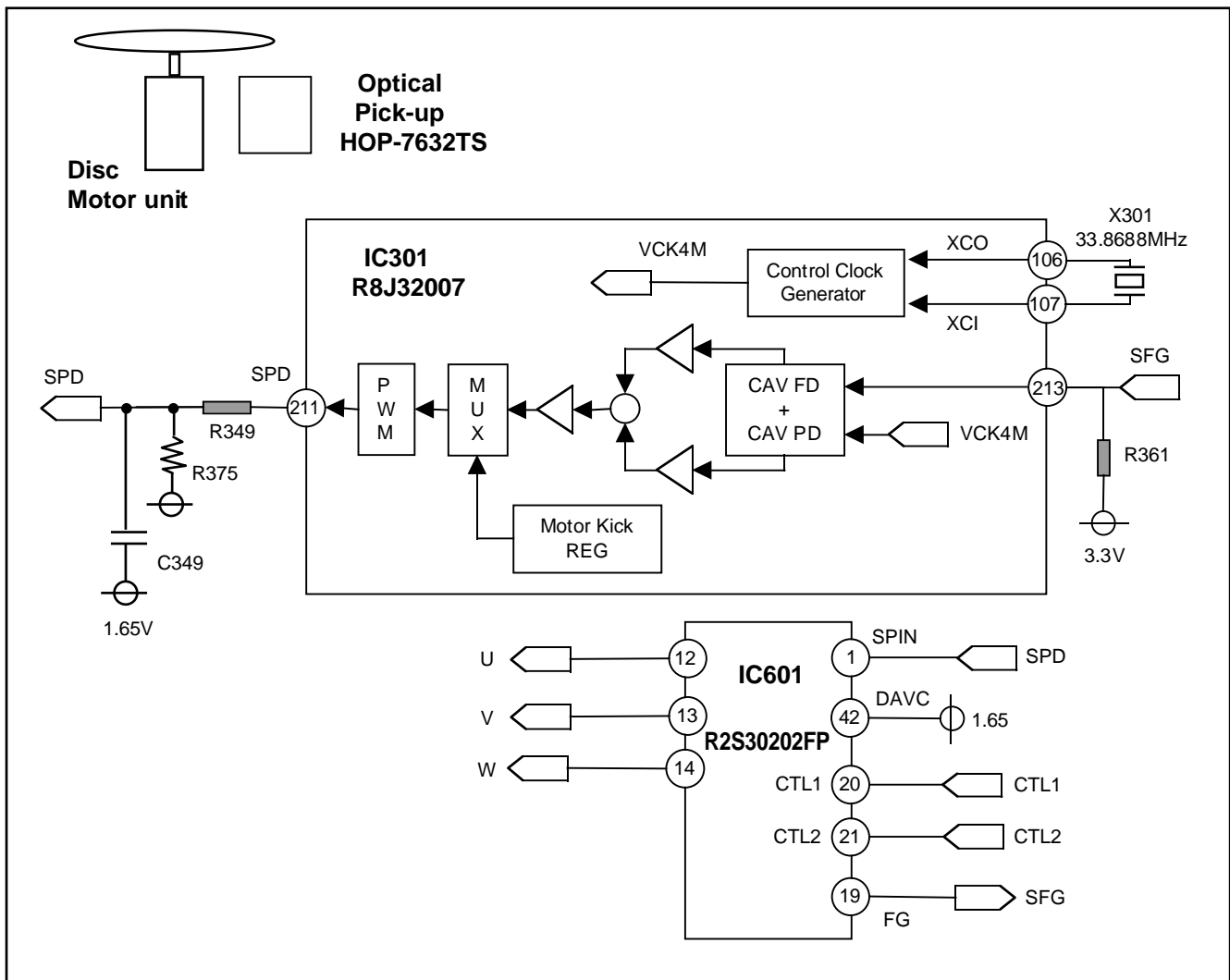
Sled Servo make P/U move by little and little so that the laser beam keep tracing the data track on disc continuously when tracking actuator reaches the working limit.

TE Signal is input to DSP IC(R8J32007 173pin), and after A/D Conversion, Digital Tracking Equalizer Block, Digital Sled Compensator Block and D/A Conversion in R8J32007, the output signal SL1, SL2(R8J32007 182, 183pin) is input to Drive IC (R2S30202FP SL1:3 pin, SL2:2pin) after Low-Pass filtering.



## 4. Spindle Circuit

### 4-1-1. Block Diagram(FGCAV Servo)



### 4-1-2. FG CAV Servo

- 1) CD 48x CAV : CD-ROM, CD-R
- 2) CD 40x CAV : CD-RW
- 3) DVD 8x CAV : DVD±RW
- 4) DVD 10x CAV : DVD±R
- 5) DVD 12x CAV : DVD-ROM DL
- 6) DVD 16x CAV : DVD-ROM
- 7) DVD 16x PCAV : DVD±R

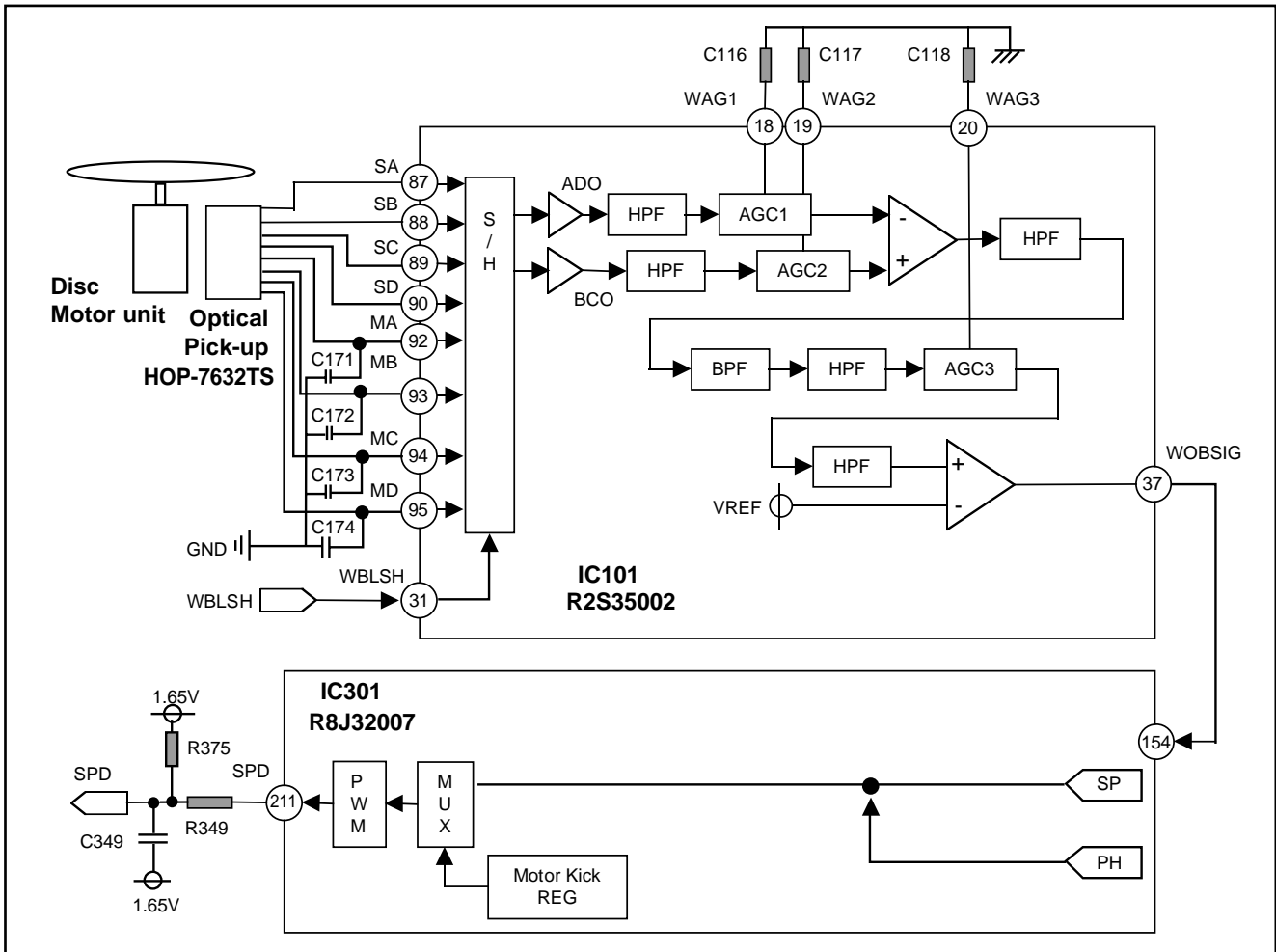
When drive read PRESS CD, Closed Session CD-R/RW, the spindle motor is controlled using FG CAV Spindle Servo. FG signal(R2S30202FP 19pin) input to SFG in DSP IC(R8J32007 213pin).

The spindle controller in DSP IC uses SFG as spindle rotation frequency feedback, therefore the FG CAV Spindle Servo doesn't work well if FG generation is abnormal.

The spindle controller PWM output signal SPD(R8J32007 211pin) input to SPIN in Drive IC(R2S30202FP 1pin) after Low-Pass Filtering.

The PWM output signal U, V, W signal(R2S30202FP 12, 13, 14pin) drives Spindle Motor without using a sensor, and FG pulse output is generated as 18 pulses/rotation.

#### 4-2-1. Block Diagram (Wobble CLV Servo)



#### 4-2-2. Wobble CLV Servo

- CD-R : 4x, 8x, 16x, 24x, 32x, 40x, 48x
- /CD-RW : 4x, 10x, 16x, 24x, 32x
- /DVD-R : 2x, 4x, 8x, 16x(PCAV)
- /DVD-R DL : 2x, 4x
- /DVD-RW : 1x, 2x, 4x, 6x
- /DVD+R : 2.4x, 4x, 8x, 12x, 16x(PCAV)
- /DVD+R DL : 2.4x, 4x, 6x
- /DVD-RAM : 2x, 3x, 3-5x(PCAV)
- /DVD+RW : 2.4x, 4x, 8x

When drive write DVD-RAM/R/RW/+R/+RW/CD-R/CD-RW, the spindle motor is controlled using Wobble CLV Spindle Servo.

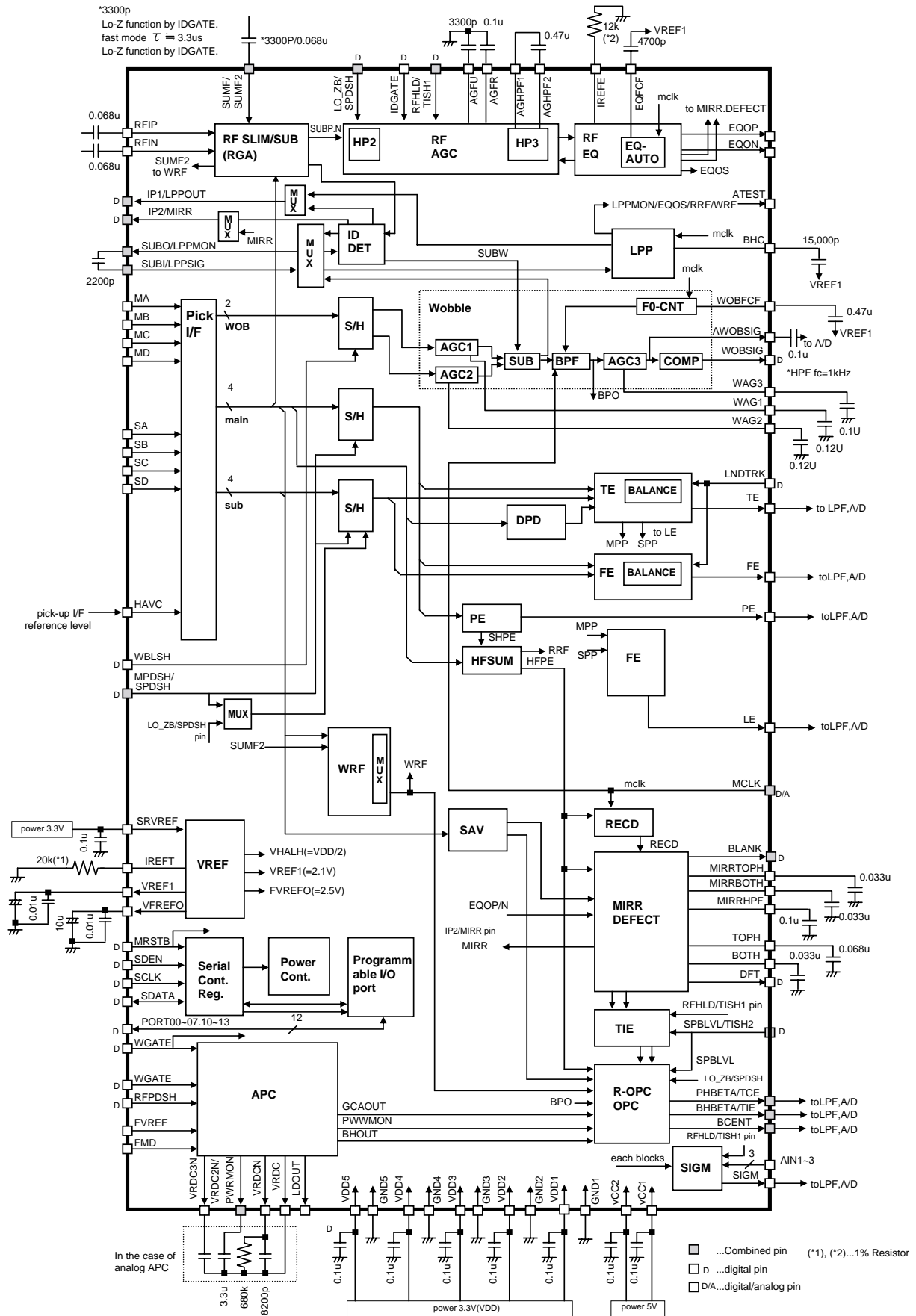
The WOB SIG signal(R2S35002 37pin) input to DSP IC(R8J32007 154pin). The DSP Controller in R8J32007 uses WOB SIG as linear velocity feed back, therefore the Wobble CLV Spindle Servo doesn't work well when WOB SIG signal is abnormal.

The spindle controller PWM output signal SPD (R8J32007 211pin) input to SPIN in Drive IC(R2S30202FP 1pin) after Low-Pass Filtering.

The PWM output signal U,V, W signal(R2S30202FP 12, 13, 14pin) drives Spindle Motor without using a sensor.



# Block Diagram



## • Pin Functions

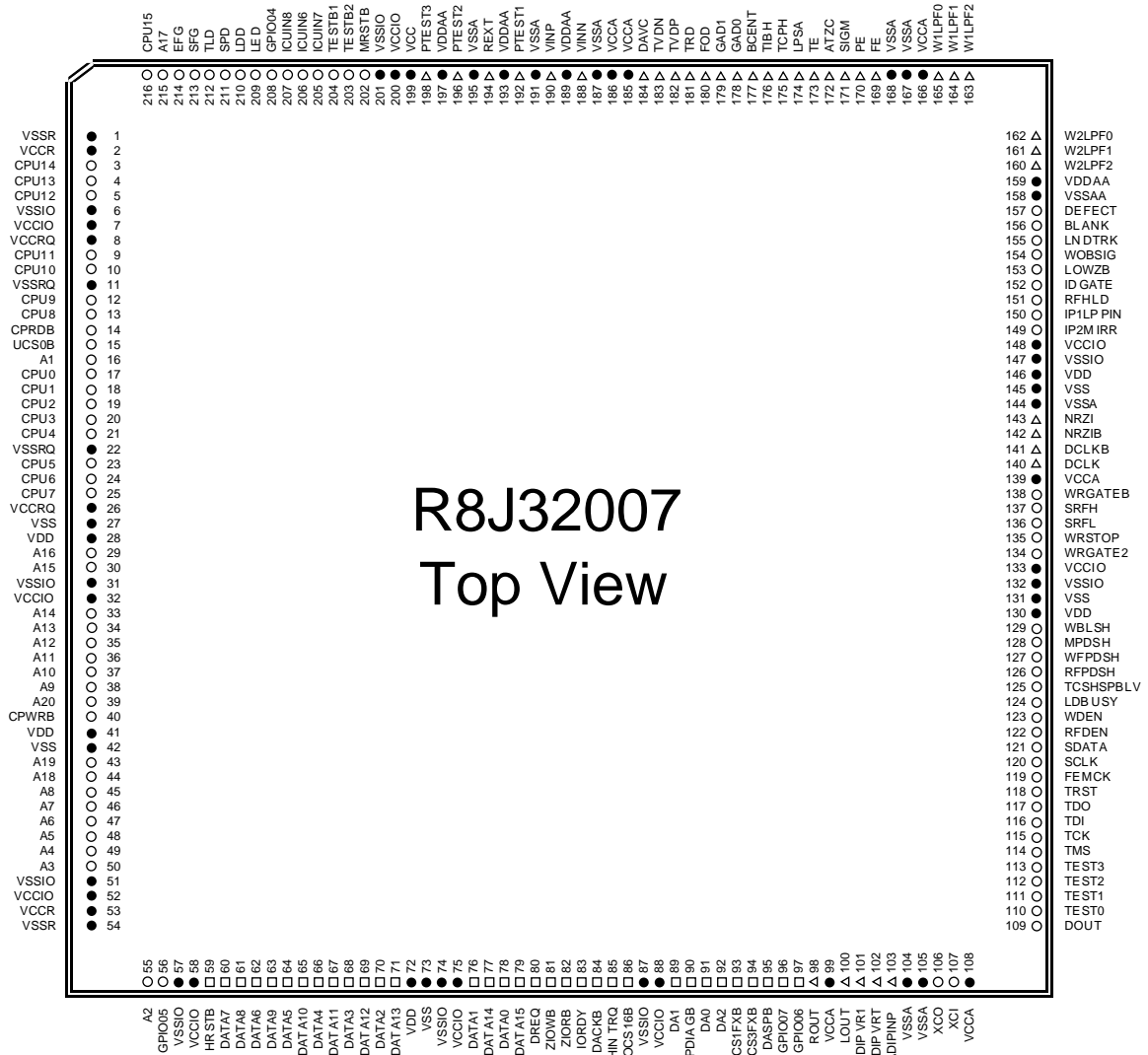
pin Name	pin No.	Type	max. voltage	Function
TE	1	Analog-Output		Tracking error output terminal
FE	2	Analog-Output		Focus error output terminal
PE	3	Analog-Output		PE output terminal
LE	4	Analog-Output		Lens error output terminal
BCENT	5	Analog-Output		OPC center signal output terminal
PHBETA/TCE	6	Analog-Output		OPC top hold level signal and APC write sampling signal output terminal/tilt servo detecting output terminal
BHBETA/TIE	7	Analog-Output		OPC bottom hold level signal and R-OPC sampling signal output terminal/tilt servo detecting output terminal
VCC2	8	Power		Power supply connected terminal(5V)
FVREF	9	Analog-Input	VDD	Reference voltage for APC input terminal
FMD	10	Analog-Input	VDD	APC monitor diode input terminal
VDD3	11	Power		Power supply connected terminal(3.3V)
LDOUT	12	Analog-Output		Terminal to control laser drivers for APC read system
VRDC3N	13	External-components required		Terminal to connect laser driver control filters for APC read
VRDC2N/PWRMON	14	External-components required		Terminal to connect laser driver control filters for APC read/ SH monitor output terminal
VRDCN	15	External-components required		Terminal to connect laser driver control filters for APC read
VRDC	16	External-components required		Terminal to connect laser driver control filters for APC read
GND3	17	Ground		Ground connected terminal
WAG1	18	External-capacitor required		Terminal to connect WOBBLE AGC detector capacitor
WAG2	19	External-capacitor required		
WAG3	20	External-capacitor required		
WOBFCF	21	External-capacitor required		WOB-BPF f0 auto-adjustment external capacitor connected terminal
VDD5	22	Power		Power supply connected terminal(3.3V)
ATEST	23	Analog-Output		Renesas analog test signal output terminal
AWOBSIG	24	Analog-Output		Analog-level WOBBLE signal output terminal
GND5	25	Ground		Ground connected terminal
LNDRK	26	Digital-Inputpull-up	VDD	Balans adjustment mode selection
SPBLVL/TISH2	27	Digital-Inputpull-up	VDD	R-OPC WRF signal sampling pulse input terminal /Tilt servo detecting sampling pulse input terminal
RFPDSH	28	Digital-Input	putpull-up VDD	APC read system sampling pulse input terminal
WFPDSH	29	Digital-Input	putpull-up VDD	APC write system sampling pulse input terminal
MPDSH/SPDSH	30	Digital-Input	putpull-up VDD	Pickup input sampling pulse input terminal
WBLSH	31	Digital-Input	putpull-up VDD	WOBBLE sampling pulse input terminal
WGATE	32	Digital-Input	putpull-up VDD	Read/write control input terminal
RFHLD/TISH1	33	Digital-Input	putpull-up VDD	RF hold control signal input terminal /Tilt servo detecting sampling pulse input terminal
IDGATE	34	Digital-Input	putpull-up VDD	ID select pulse input terminal
LO_ZB/SPDSH	35	Digital-Input	putpull-up VDD	Low-z (reversal) pulse input terminal /Pickup input sampling pulse input terminal

pin Name	pin No.	Type	max. voltage	Function
BLANK	36	Digital-Output		Record/non-record detecting/BD detecting output terminal
WOBSIG	37	Digital-Output		WOBBLE signal output terminal
IP2/MIRR	38	Digital-Output		ID detection/Mirror detection output terminal
IP1/LPPOUT	39	Digital-Output		ID detection/LPP detection output terminal
DFT	40	Digital-Output		Defect detection output terminal
GND4	41	Ground		Ground connected terminal (Digital)
PORT00	42	Digital-Input/Output	VDD	I/O Port
PORT01	43	default input mode		
PORT02	44	No pull-up		
PORT03	45			
PORT04	46			
PORT05	47			
PORT06	48			
PORT07	49			
MCLK	50	Digital/Analog-Input No pull-up	VDD	Main clock input terminal Equalizer fc auto-adjustment control clock input terminal. LPP output pulse width control clock input terminal. WOB-BPF f0 auto-tracking clock input terminal.
PORT10	51	Digital-Input/Output	VDD	I/O Port
PORT11	52	default input mode		
PORT12	53	No pull-up		
PORT13	54			
SCLK	55	Digital-Input	pull-up VDD	Serial I/F clock input terminal
SDATA	56	Digital-Input/Output	pull-up VDD	Serial I/F data input/output terminal
SDEN	57	Digital-Input	pull-up VDD	Serial I/F enable input terminal
MRSTB	58	Digital-Input	pull-up VDD	Master reset (reversal) input terminal
VDD4	59	Power		Power supply connected terminal(3.3V)(digital)
BHC	60	External-capacitor required		External capacitor for LPP bottom hold terminal
MIRRHPF	61	External-capacitor required		Terminal to connect Mirror envelope detector HPF capacitor
MIRRBOTH	62	External-capacitor required		Terminal to connect Mirror envelope detector bottom hold capacitor
MIRRTOPH	63	External-capacitor required		Terminal to connect Mirror envelope detector top hold capacitor
BOTH	64	External-capacitor required		Terminal to connect envelope bottom hold capacitor
TOPH	65	External-capacitor required		Terminal to connect envelope top hold capacitor
GND1	66	Ground		Ground connected terminal
EQOP	67	Differential-Output		RF equalizer differential output terminal
EQON	68			
VDD1	69	Power		Power supply connected terminal(3.3V)
SUBI/LPPSIG	70	Analog-Input	VDD	ID detecting HPF input terminal/LPP detecting HPF input terminal

pin Name	pin No.	Type	max. voltage	Function	
SUBO/LPPMON	71	Analog-Output		ID detecting HPF output terminal/LPP detecting HPF output terminal	
EQFCF	72	External-capacitor required		Terminal to connect RF-equalizer fc auto-adjustment external capacitor	
IREFE	73	External-resistor required		Terminal to connect RF-equalizer fc setting external resistor	
AGHPF2	74	External-capacitor required		Terminal to connect AGC high pass filter capacitor	
AGHPF1	75				
AGFU	76	External-capacitor required		AGC filter connecting terminal	
AGFR	77	External-capacitor required			
VCC1	78	Power		Power supply connected terminal(5V)	
SUMF/SUMF2	79	Analog-Input/ /External-capacitor required	VDD	SUM RF input/SUM differential amp. DC filter connected terminal	
RFIP	80	Differential-Input	VDD	RF differential input terminal	
RFIN	81				
SRVREF	82	Analog-Input	VDD	DSP supply voltage (3.3V) input terminal	
FVREFO	83	Analog-Output		2.5V reference bias voltage output terminal	
IREFT	84	External-resistor required		Terminal to connect reference current setting external resistor	
VREF1	85	Analog-Output		2.1V reference bias voltage output terminal	
HAVC	86	Analog-Input	VCC	Pickup reference voltage input terminal	
SA	87	Analog-Input	VCC	Sub beam 4D input terminal	
SB	88	Analog-Input			
SC	89	Analog-Input			
SD	90	Analog-Input			
VDD2	91	Power			Power supply connected terminal(3.3V)
MA	92	Analog-Input	VCC		Main beam 4D input terminal
MB	93	Analog-Input			
MC	94	Analog-Input			
MD	95	Analog-Input			
GND2	96	Ground		Ground connected terminal	
AIN1	97	Analog-Input	VDD	Analog input terminal	
AIN2	98	Analog-Input			
AIN3	99	Analog-Input			
SIGM	100	Analog-Output		Analog signal monitoring output terminal	

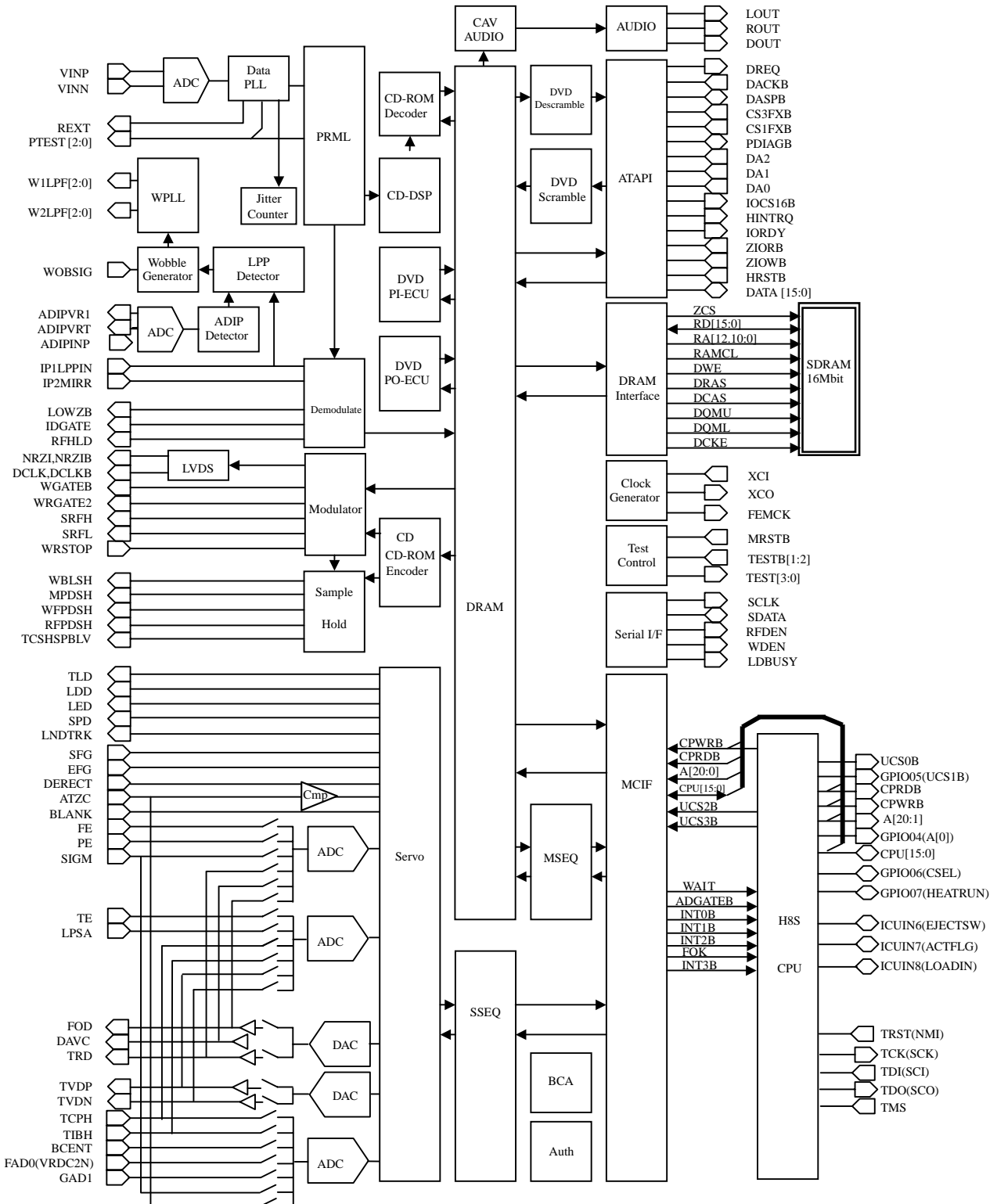
# IC301 (R8J32007FPV) : Encoder, Decoder & DSP Singal Processor

## 1.1 Pin Layout





## 1.2 Block Diagram



### 1.3 Pin Table

Pin no	Pin Name	Pin no	Pin Name	Pin no	Pin Name	Pin no	Pin Name
1	VSSR	55	A2	109	DOUT	163	W1LPF2
2	VCCR	56	GPIO05	110	TEST0	164	W1LPF1
3	CPU14	57	VSSIO	111	TEST1	165	W1LPF0
4	CPU13	58	VCCIO	112	TEST2	166	VCCA
5	CPU12	59	HRSTB	113	TEST3	167	VSSA
6	VSSIO	60	DATA7	114	TMS	168	VSSA
7	VCCIO	61	DATA8	115	TCK	169	FE
8	VCCRQ	62	DATA6	116	TDI	170	PE
9	CPU11	63	DATA9	117	TDO	171	SIGM
10	CPU10	64	DATA5	118	TRST	172	ATZC
11	VSSRQ	65	DATA10	119	FEMCK	173	TE
12	CPU9	66	DATA4	120	SCLK	174	LPSA
13	CPU8	67	DATA11	121	SDATA	175	TCPH
14	CPRDB	68	DATA3	122	RFDEN	176	TIBH
15	USC0B	69	DATA12	123	WDEN	177	BCENT
16	A1	70	DATA2	124	LDBUSY	178	GAD0
17	CPU0	71	DATA13	125	TCSHSPBLV	179	GAD1
18	CPU1	72	VDD	126	RFPDSH	180	FOD
19	CPU2	73	VSS	127	WFPDSH	181	TRD
20	CPU3	74	VSSIO	128	MPDSH	182	TVDP
21	CPU4	75	VCCIO	129	WBLSH	183	TVDN
22	VSSRQ	76	DATA1	130	VDD	184	DAVC
23	CPU5	77	DATA14	131	VSS	185	VCCA
24	CPU6	78	DATA0	132	VSSIO	186	VCCA
25	CPU7	79	DATA15	133	VCCIO	187	VSSA
26	VCCRQ	80	DREQ	134	WRGATE2	188	VINN
27	VSS	81	ZIOWB	135	WRSTOP	189	VDDAA
28	VDD	82	ZIORB	136	SRFL	190	VINP
29	A16	83	IORDY	137	SRFH	191	VSSA
30	A15	84	DACKB	138	WRGATEB	192	PTEST1
31	VSSIO	85	HINTRQ	139	VCCA	193	VDDAA
32	VCCIO	86	IOCS16B	140	DCLK	194	REXT
33	A14	87	VSSIO	141	DCLKB	195	VSSA
34	A13	88	VCCIO	142	NRZIB	196	PTEST2
35	A12	89	DA1	143	NRZI	197	VDDAA
36	A11	90	PDIAGB	144	VSSA	198	PTEST3
37	A10	91	DA0	145	VSS	199	VCC
38	A9	92	DA2	146	VDD	200	VCCIO
39	A20	93	CS1FXB	147	VSSIO	201	VSSIO
40	CPWRB	94	CS3FXB	148	VCCIO	202	MRSTB
41	VDD	95	DASPB	149	IP2MIRR	203	TESTB2
42	VSS	96	CPIO07	150	IP1LPPIN	204	TESTB1
43	A19	97	CPIO06	151	RFHLD	205	ICUIN7
44	A18	98	ROUT	152	IDGATE	206	ICUIN6
45	A8	99	VCCA	153	LOWZB	207	ICUIN8
46	A7	100	LOUT	154	WOBSIG	208	GPIO04
47	A6	101	ADIPVR1	155	LNDTRK	209	LED
48	A5	102	ADIPVRT	156	BLANK	210	LDD
49	A4	103	ADIPINP	157	DEFECT	211	SPD
50	A3	104	VSSA	158	VSSAA	212	TLD
51	VSSIO	105	VSSA	159	VDDAA	213	SFG
52	VCCIO	106	XCO	160	W2LPF2	214	EFG
53	VCCR	107	XCI	161	W2LPF1	215	A17
54	VSSR	108	VCCA	162	W2LPF0	216	CPU15

## 1.4 Pin Functions

It corresponds to the following signs as a pin I/O specification.

AI : Analog Input	IOU : Standard Input/Output with Pull Up
AO : Analog Output	5I : 5V Tolerant Input
AIO : Analog Input/Output	5O : 5V Tolerant Output
I : Standard Input	5TO : 5V Tolerant Three State Output
IU : Standard Input with Pull Up	5IO : 5V Tolerant Input/Output
O : Standard Output	PW : Power Supply Pin
TO : Standard Three State Output	GND : Earth Pin
IO : Standard Input/Output	

### Data PLL/PRML Pin List

Pin Name	Pin No.	I/O	destination	Function
VINP VINN	190 188	AI	AFE	RF signal normal phase input pin RF signal counter phase input pin
REXT	194	AO	External Resistance	Resistor connect pin for reference current generation
PTEST1 PTEST2 PTEST3	192 196 198	AO	External Resistance	PRML/Data PLL monitor D/A output pin PRML/Data PLL monitor D/A output pin Data PLL VCO control voltage monitor pin

### Wpll Pin List

Pin Name	Pin No.	I/O	destination	Function
W1LPF0 W1LPF1 W1LPF2	165 164 163	AO	External Components	Write PLL1 filter connect pin (0) Write PLL1 filter connect pin (1) Write PLL1 filter connect pin (2)
W2LPF0 W2LPF1 W2LPF2	162 161 160	AO	External Components	Write PLL2 filter connect pin (0) Write PLL2 filter connect pin (1) Write PLL2 filter connect pin (2)

## Servo Pin List

Pin Name	Pin No.	I/O	destination	Function
BLANK	156	I	AFE	Blank signal input (also connected to the H8S interrupt port INT5)
DEFECT	157	I	AFE	Defect (scratch detect) signal
SFG	213	IU	DRVR	Spindle FG pulse (also input to the H8S interrupt port INT4)
EFG	214	I	PU	Spindle FG pulse for Light Scribe (also input to the H8S interrupt port INT4)
TLD	212	TO	DRVR	Tilt drive signal (PWM output)
SPD	211	TO	DRVR	Spindle drive signal (PWM output)
LDD	210	TO	DRVR	Loading drive signal (PWM output)
LED	209	TO	PU	LPS_LED control signal (PWM output)
ATZC	172	AI	AFE	Tracking Zero Cross input signal
FE	169	AI	AFE	Focus error: sampled at 352.8 kHz
PE	170	AI	AFE	Laser power error: sampled at 352.8 kHz
SIGM	171	AI	AFE	Signal monitor: sampled at 88.2/176.4 kHz
TE	173	AI	AFE	Tracking error: sampled at 352.8 kHz
LPSA	174	AI	AFE	Lens positioning/lens error: sampled at 88.2 kHz
TCPH	175	AI	AFE	Tracking center/BETA top hold: sampled at 44.1/176.4 kHz
TIBH	176	AI	AFE	Tilt error/BETA bottom hold: sampled at 44.1/176.4 kHz
BCENT	177	AI	AFE	BETA center: sampled at 176.4 kHz
GAD1	179	AI		General AD input: sampled at 88.2 kHz
GAD0(VRDC2N)	178	AI		General AD input: sampled at 176.4 kHz
FOD	180	AO	DRVR	Focus control signal
TRD	181	AO	DRVR	Tracking control signal
TVDP	182	AO	DRVR	Sled drive signal (normal phase)
TVDN	183			Sled drive signal (counter phase)
DAVC	184	AO	DRVR	Servo system Vcc/2 voltage output pin

## ATAPI Interface Pin List

Pin Name	Pin No.	I/O	destination	Function
HRSTB	59	5I	ATAPI	ATAPI-IF control signal (host reset signal)
DA2	92	5I	ATAPI	ATAPI-IF register address signal
DA1	89			
DA0	91			
DATA[15:0]	79,77,71, 69,67,65, 63,61,60, 62,64,66, 68,70,76, 78	5IO	ATAPI	ATAPI- IF data bus
DREQ	80	5TO	ATAPI	ATAPI-IF DMA request signal
ZIOWB	81	5I	ATAPI	ATAPI-IF write strobe pulse
ZIORB	82	5I	ATAPI	ATAPI-IF read strobe pulse
IORDY	83	5TO	ATAPI	ATAPI-IF control signal (drive Ready)
DACKB	84	5I	ATAPI	ATAPI-IF DMA acknowledge
HINTRQ	85	5TO	ATAPI	ATAPI-IF drive interrupt signal
IOCS16B	86	5TO	ATAPI	ATAPI-IF control signal (16-bit transfer)
PDIAGB	90	5IO	ATAPI	ATAPI-IF control signal
CS1FXB	93	5I	ATAPI	ATAPI-IF register chip select signal
CS3FXB	94			
DASPB	95	5IO	ATAPI	ATAPI-IF control signal

### Encoder Interface Pin List

Pin Name	Pin No.	I/O	destination	Function
IP1LPPIN	150	I	AFE	PID area identification signal/LPP input signal
IP2MIRR	149	I	AFE	PID area identification signal/MIRR signal
WOBSIG	154	I	AFE	Wobble signal input
LOWZB	153	O	AFE	Input impedance switch control signal/SPDSH; running OPC sampling pulse (Pit top)
IDGATE	152	O	AFE	ID/data switch signal
RFHLD	151	O	AFE	VFO3 holding signal and track center signal sample & hold signal
WRGATE2	134	O	AFE	Write gate signal output
WBLSH	129	O	AFE	Wobble signal sampling pulse
MPDSH	128	O	AFE	Main beam sampling pulse
WFPDSH	127	O	AFE	Laser control sampling pulse (Front monitor write/erase block)
RFPDSH	126	O	AFE	Laser control sampling pulse (Front monitor read block)
TCSHSPBLV	125	O	AFE	VFO1 track center signal sample & hold pulse; /SPBLVL running OPC sampling pulse (Pit end)
WRGATEB	138	O	PU	Write gate signal
SRFH	137	O	PU	I- V amplifier gain switch (HI side)
SRFL	136			/I- V amplifier gain switch (for binary)
WRSTOP	135	I	PU	I- V amplifier gain switch (Low side)
LNDTRK	155	O	AFE/PU	Write stop gate signal
NRZI	143	AO	PU	Land/groove switch
NRZIB	142			NRZI output after modulation (normal phase)
DCLK	140	AO	PU	NRZI output after modulation (counter phase)
DCLKB	141			NRZI sync clock (counter phase)
ADIPVR1	101	AO	External Cmpponents	NRZI sync clock (normal phase)
ADIPVRT	102	AO	External Cmpponents	AD related pin for ADIP detection
ADIPINP	103	AI	AFE	AD related pin for ADIP detection
				ADIP detect input pin

### Serial Communication Interface Pin List

Pin Name	Pin No.	I/O	destination	Function
LDBUSY	124	IO	LDD	LDD serial IF busy also functions as the CPU general port 1-0
WDEN	123	O	LDD	LDD microcomputer I/F (transfer enable signal)
RFDEN	122	O	AFE	AFE microcomputer I/F (transfer enable signal)
SDATA	121	IO	AFE/LDD	AFE/LDD microcomputer I/F (transfer data signal 3Vsystem)
SCLK	120	O	AFE/LDD	AFE/LDD microcomputer I/F (transfer clock signal)

### Audio Interface Pin List

Pin Name	Pin No.	I/O	destination	Function
DOUT	109	IO	ATAPI	Digital output pin,also functions as the CPU general port 1-2
ROUT	98	AO	ATAPI	Audio Lch & Rch output
LOUT	100			

### Clock Generator Pin List

Pin Name	Pin No.	I/O	destination	Function
FEMCK	119	O	AFE	Front End LSI clock
XCO	106	O	X'tal	Crystal oscillation 33.8688MHz
XCI	107	I	X'tal	Crystal oscillation 33.8688MHz

### H8S Micro-Processor Pin List CPU

Pin Name	Pin No.	I/O	destination	Function
ICUIN7(ACTFLG)	205	IU	DRVR	CPU interrupt port INT7: Pick up protect flag
ICUIN6(EJECTSW)	206	I	Eject Switch	CPU interrupt port INT6: EJECTSW interrupt request
ICUIN8(LOADIN)	207	IO	Load Switch	CPU general port1-1 also connected to the CPU interrupt port INT8: Loader in sensor
GPIO07(HEATRUN)	96	5IO	ATAPI	CPU general port 0-7 :Off heat run test input
GPIO06(CSEL)	97	5IO	ATAPI	CPU general port 0-6 ATAPI CSEL
GPIO04(A0)	208	IO	SRAM	CPU general port 0-4, also functions as H8S / A0
GPIO05(UCS1B)	56	IO	SRAM	CPU general port 0-5, also functions as H8S / CS1

### Flash/SRAM Pin List

Pin Name	Pin No.	I/O	destination	Function
UCS0B	15	O	Flash	H8S / CS0
CPWRB	40	O	Flash / SRAM	H8S / WRB
CPRDB	14	O	Flash / SRAM	H8S / RDB
A[20:1]	39,43,44, 215,29,30, 33,34,35, 36,37,38, 45,46,47, 48,49,50, 55,16	O	Flash / SRAM	H8S / A[20:1]
CPU[15:1]	216,3,4, 5,9,10,  12,13,25, 24,23,21, 20,19,18 17	IO	Flash / SRAM	H8S / D[15:0] CPU[0] can also function as the CPU general port 0-4 (multiplexed).

## LSI/TEST Control Pin List

Pin Name	Pin No.	I/O	destination	Function
MRSTB	202	I	RESET IC	Master reset input
TESTB2 TESTB1	203 204	I		Test select
TMS	114	IU	E10emulator	Test data switch for E10emulator
TCK	115	IOU	E10emulator	Test clock for E10 emulator It can function as a SCI serial clock output port when E10 emulator is not used (multiplexed).
TDI	116	IU	E10emulator	Test data input for E10 emulator It can function as a SCI serial data input port when E10 emulator is not used (multiplexed).
TDO	117	O	E10emulator	Test data output for E10 emulator It can function as a SCI serial data output port when E10 emulator is not used (multiplexed).
TRST	118	I	E10emulator	Test reset for E10 emulator /Non-mask CPU interrupt port(falling edge sense)
TEST0 TEST1 TEST2 TEST3	110 111 112 113	IO		User test/CPU general port2 Test monitor can be set as the following table by a register

T*SEL[3:0]	TEST0	TEST1	TEST2	TEST3
0	Servo monitor 0	Servo monitor 1	Servo monitor 2	Servo monitor 3
1	WPLL monitor 0	WPLL monitor 1	WPLL monitor 2	WPLL monitor 3
2	Audio 0	Audio 1	Audio 2	Audio 3
3	DVD modulation 0	DVD modulation 1	DVD modulation 2	DVD modulation 0
4	DVD-R/CD-R monitor 0	DVD-R/CD-R monitor1	DVD-R/CD-R monitor 2	DVD-R/CD-R monitor 3
5	DVD+RW monitor 0	DVD+RW monitor1	DVD+RW monitor 2	DVD+RW monitor 3
6	PI/C1	PI/C1	PI/C1	PI/C1
7	PO/C2	PO/C2	PO/C2	PO/C2
8	DEMO 0	DEMO 1	DEMO 2	DEMO 3
9	-	-	-	-
10	CLVCK	CLVCK	CLVCK	CLVCK
11	BLEND	BLEND	BLEND	BLEND
12	PRML monitor 0	PRML monitor 1	PRML monitor 2	PRML monitor 3
13	Data PLL monitor 0	Data PLL monitor 1	Data PLL monitor 2	Data PLL monitor 3
14	RAMCON monitor 0	RAMCON monitor 1	RAMCOM monitor 2	RAMCON monitor 3
15	MIF monitor 0	MIF monitor 1	MIF monitor 2	MIF monitor 3
16	WOBREF monitor 0	WOBREF monitor 1	WOBREF monitor 2	WOBREF monitor 3

T\*SEL can be set for each of pins TEST3, TEST2, TEST1, and TEST0, respectively.

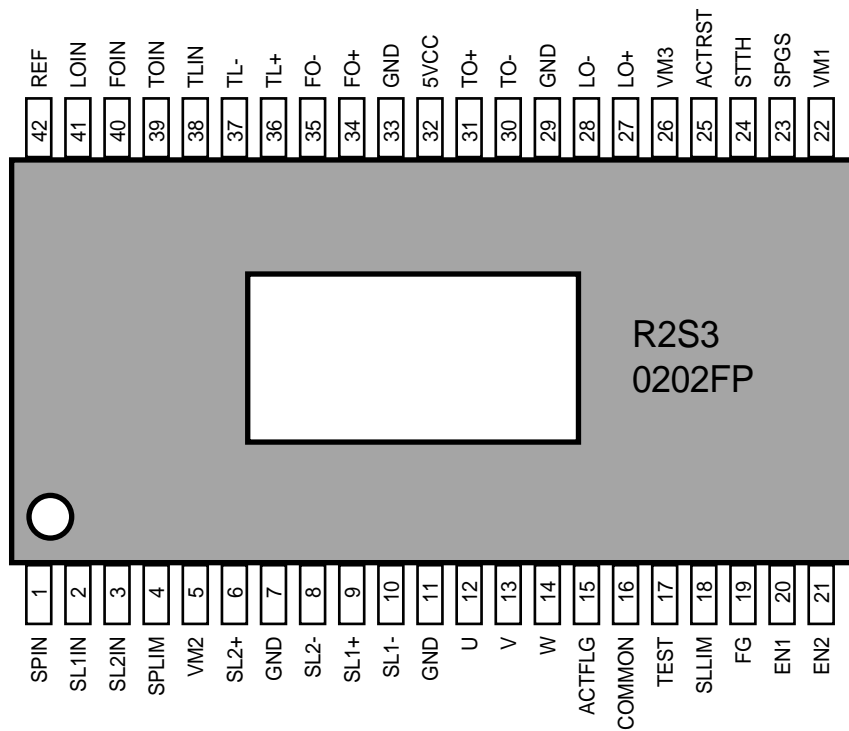


## Power Supply/GND Pin List

Pin Name	Pin No.	I/O	Function
VDD	28,41,72, 130,146	PW	DSP core power supply (1.5V)
VCCR	2,53	PW	SDRAM power supply (3.3V)
VCCRQ	8,26		SDRAM I/O power supply (3.3V)
VDDAA	159 189,193,197	PW	1.5V system analog power supply (1.5V) WPLL1,2 1.5V system analog power supply (1.5V) PRML A/D Data PLL
VCCA	99 108 139 166 185 186	PW	Analog power supply (3.3V):AUDIO / ADIP Analog power supply (3.3V):PLL multiplication Analog power supply (3.3V):LVDS Analog power supply (3.3V):WPLL1,2 Analog power supply (3.3V):Servo A/D D/A Analog power supply (3.3V):PRML A/D Data PLL
VCC	199	PW	Digital power supply (3.3V):PRML A/D Data PLL
VCCIO	7,32,52, 58,75,88, 133,148,200	PW	DSP I/O power supply (3.3V)
VSS	27,42,73, 131,145	GND	DSP core GND
VSSR	1,54	GND	SDRAM GND
VSSRQ	11,22	GND	SDRAM I/O GND
VSSA	104 105 144 167 168 187,191,195	GND	Analog GND:AUDIO / ADIP Analog GND:PLL multiplication Analog GND:LVDS Analog GND:WPLL1,2 Analog GND:Servo A/D D/A Analog GND:PRML A/D Data PLL
VSSAA	158	GND	1.5V system analog GND:WPLL1,2
VSSIO	6,31,51, 57,74,87, 132,147,201	GND	DSP I/O GND Connected SDRAM I/O GND through 6,31pin

# IC601 (R2S30202FP) : SPINDLE MOTOR AND 6CH ACTUATOR DRIVER

## Pin Layout



Package outline : 42 PIN POWER SSOP (42P9R-K)

## Pin Function

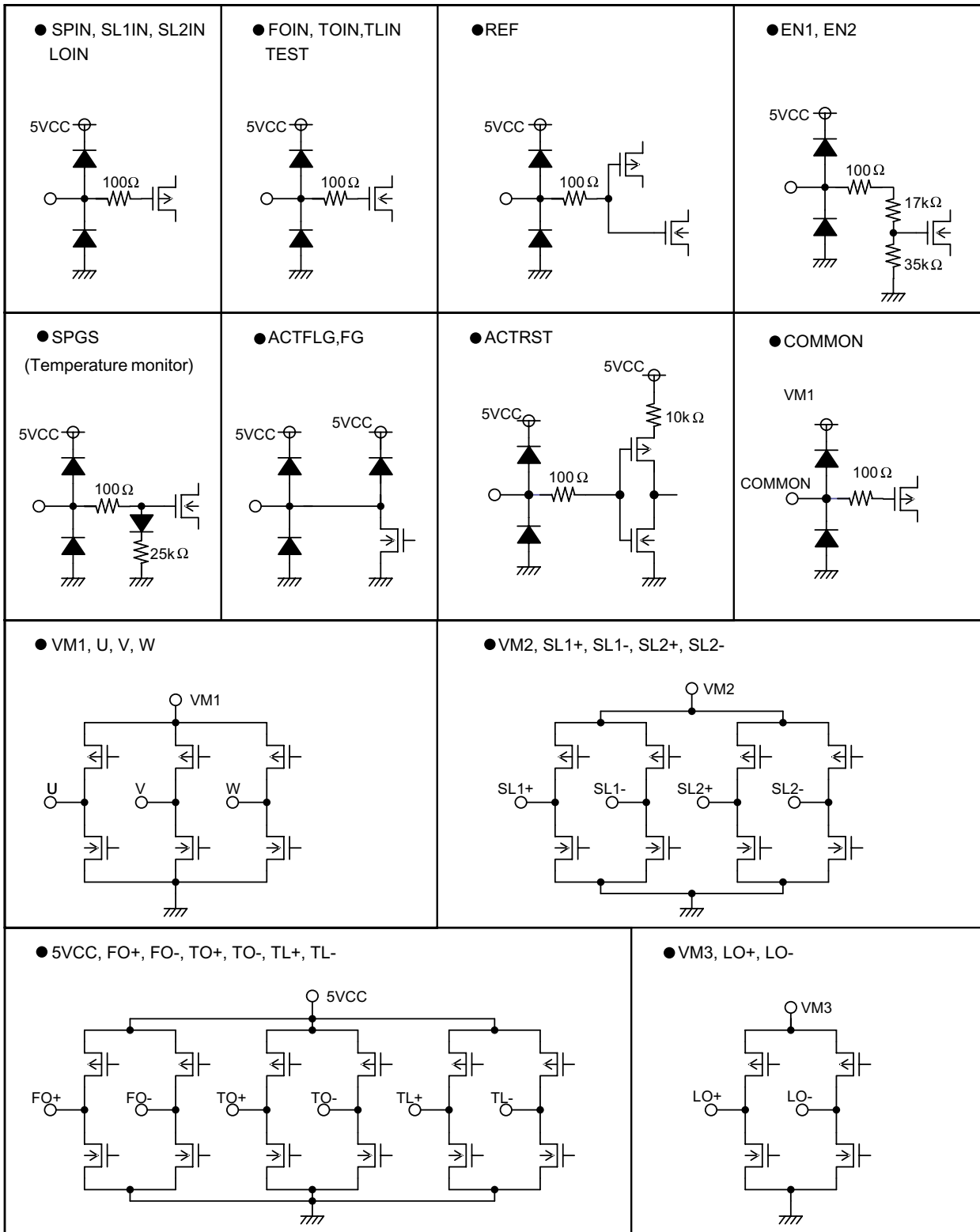
No	Pin name	Function	No	Pin name	Function
1	SPIN	Spindle control voltage input	42	REF	Reference voltage input
2	SL1IN	Slide control voltage input1	41	LOIN	Loading control input
3	SL2IN	Slide control voltage input2	40	FOIN	Focus control voltage input
4	SPLIM	Input terminal for spindle current limit	39	TOIN	Tracking control voltage input
5	VM2	Motor Power Supply 2(for Slide)	38	TLIN	Tilt control voltage input
6	SL2+	Slide non-inverted output2	37	TL-	Tilt inverted output
7	GND	GND	36	TL+	Tilt non-inverted output
8	SL2-	Slide inverted output2	35	FO-	Focus inverted output
9	SL1+	Slide non-inverted output1	34	FO+	Focus non-inverted output
10	SL1-	Slide inverted output1	33	GND	GND
11	GND	GND	32	5VCC	5V Power Supply (for FS,TS,TL)
12	U	Motor drive output U	31	TO+	Tracking non-inverted output
13	V	Motor drive output V	30	TO-	Tracking inverted output
14	W	Motor drive output W	29	GND	GND
15	ACTFLG	Pickup protect flag output	28	LO-	Loading inverted output
16	COMMON	Motor common	27	LO+	Loading non-inverted output
17	TEST	Test terminal <sup>(*)1</sup>	26	VM3	Power Supply3(for Loading)
18	SLLIM	Input terminal for slide current limit	25	ACTRST	Pickup protect Reset <sup>(*)2</sup>
19	FG	Frequency generator output	24	STTH	Reference voltage for spindle start up
20	EN1	Input terminal for enable 1	23	SPGS	Input terminal for gain select SPM
21	EN2	Input terminal for enable 2	22	VM1	Motor Power Supply 1(for Spindle)

\*1) Please connect 17terminal (TEST) to GND or open, for TEST.

\*2) Please connect 25terminal(ACTRST) to 5VCC, When the Pick-up protection circuit is not used.

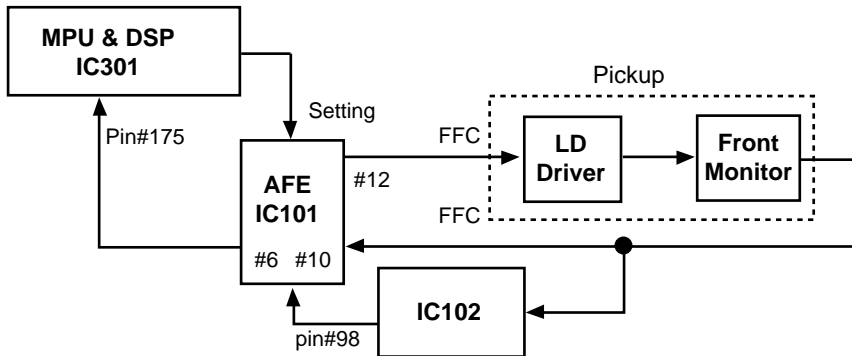


# Input/Output circuit diagram

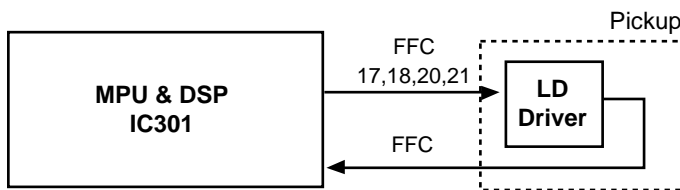


# TROUBLESHOOTING GUIDE

## (01) Laser Power Adjust (using RD Power/WR Power/Erase Power)



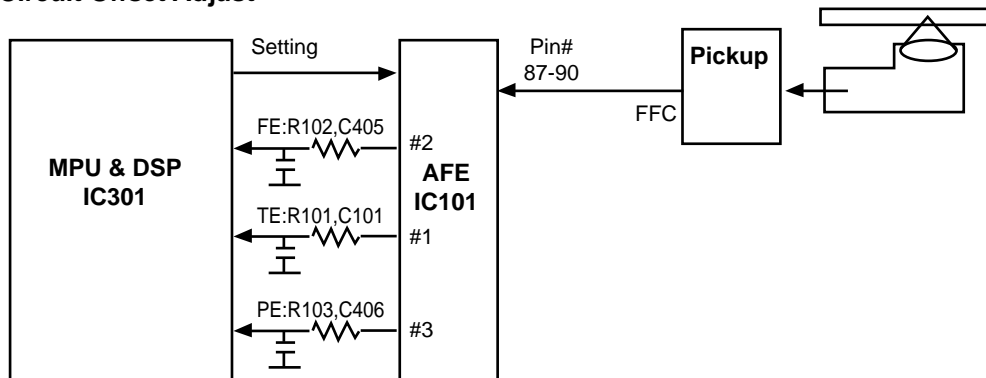
## (02) High Frequency/NRZI skew Adjust



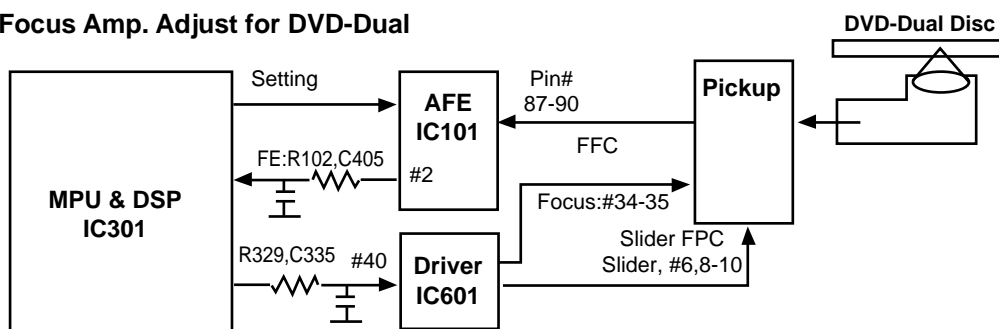
## (03) Data Slice/Equalizer Boost/Raw Slice/ Equalizer Frequency Adjust



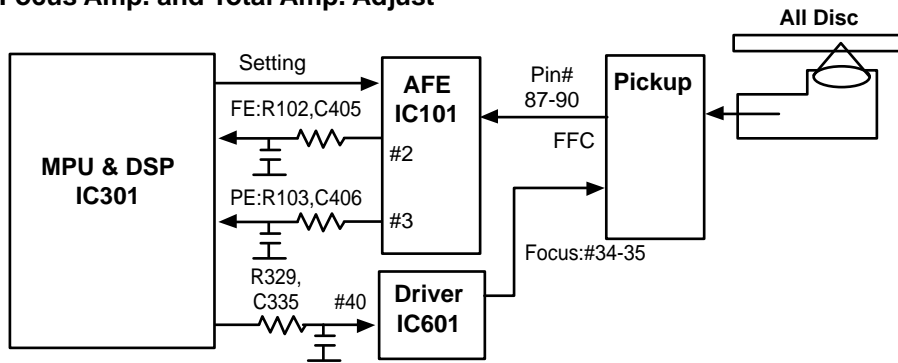
## (04) Circuit Offset Adjust



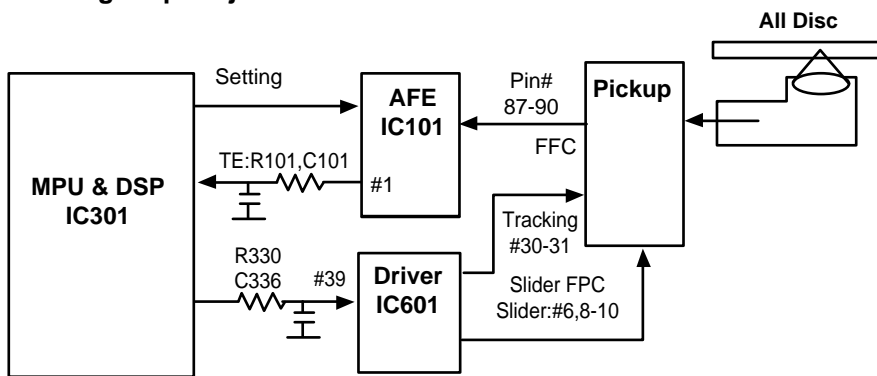
## (05) Focus Amp. Adjust for DVD-Dual



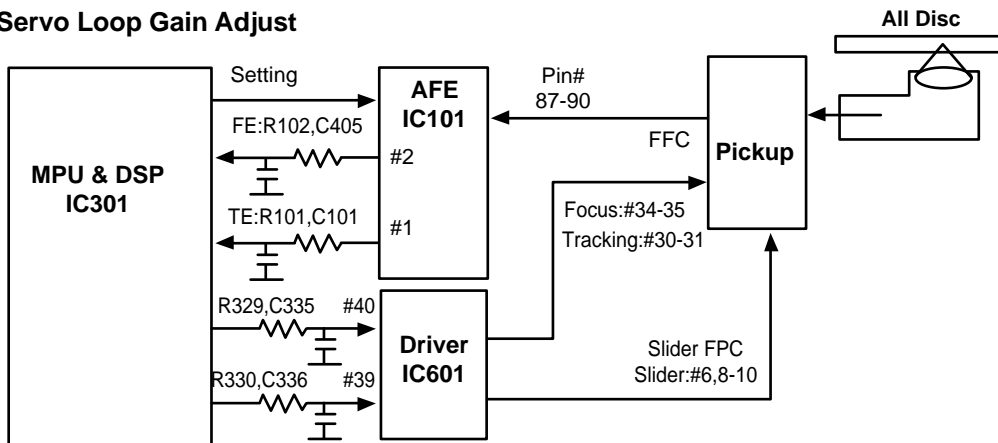
**(06) Focus Amp. and Total Amp. Adjust**



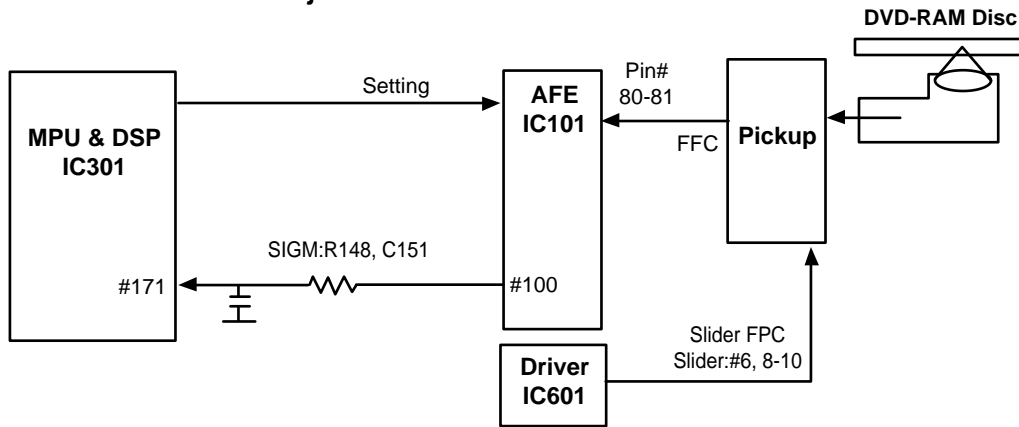
**(07) Tracking Amp. Adjust**



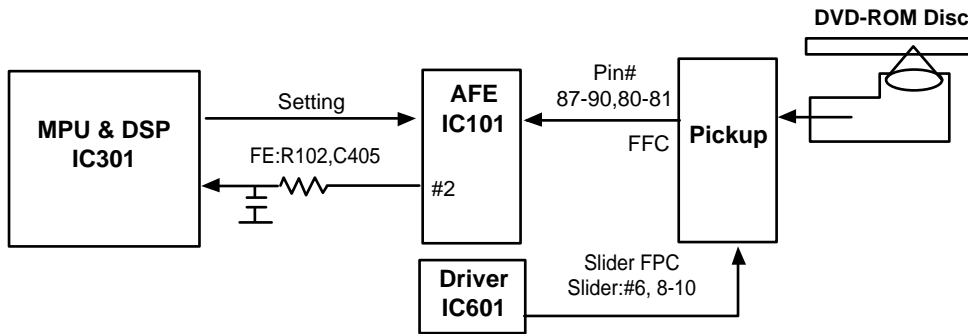
**(08) Servo Loop Gain Adjust**



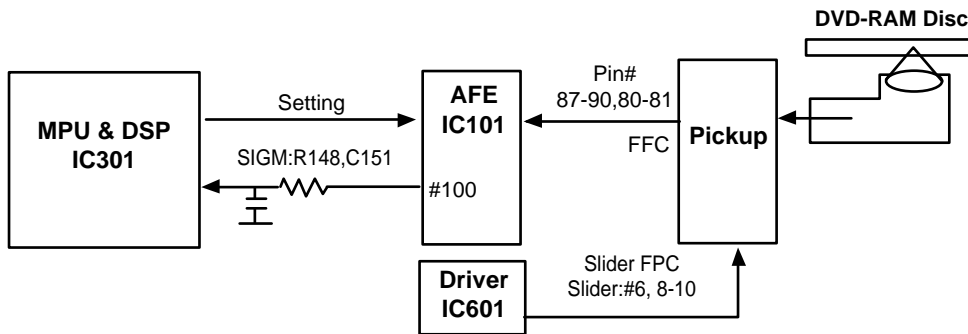
**(09) Unwritten Slice Level Adjust for DVD-RAM**



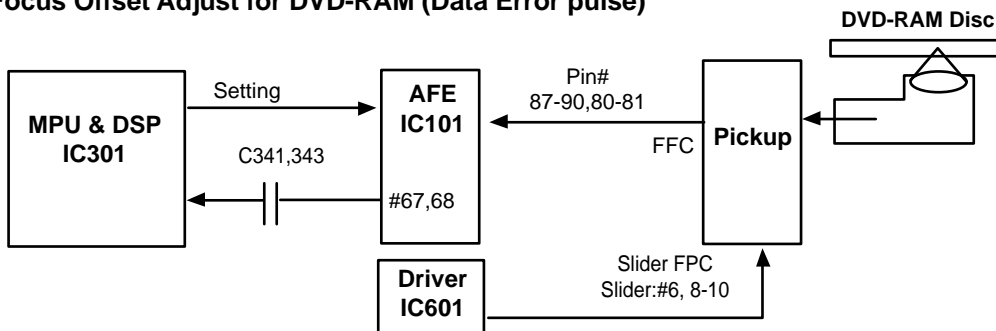
**(10) Focus Offset Adjust for DVD-ROM, CD-R/RW**



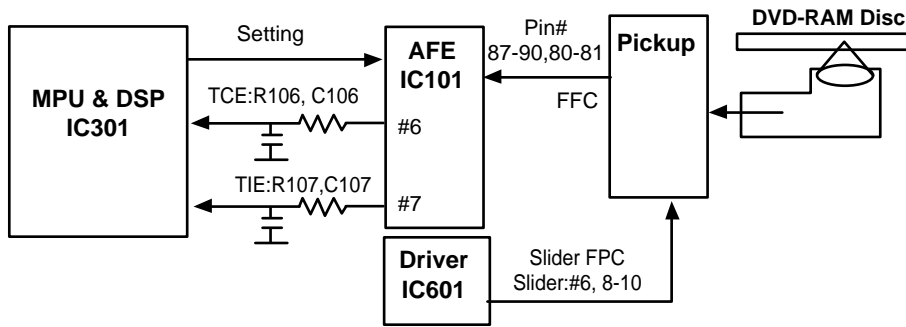
**(11) Focus Offset Adjust for DVD-RAM (PID Amp)**



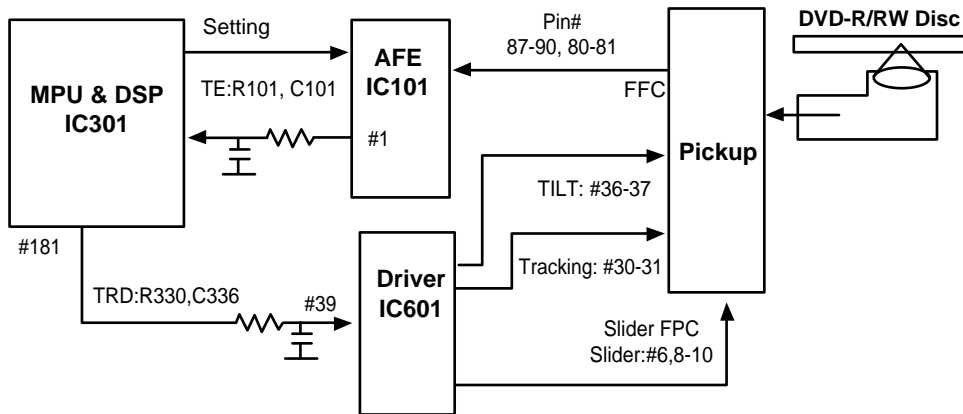
**(12) Focus Offset Adjust for DVD-RAM (Data Error pulse)**



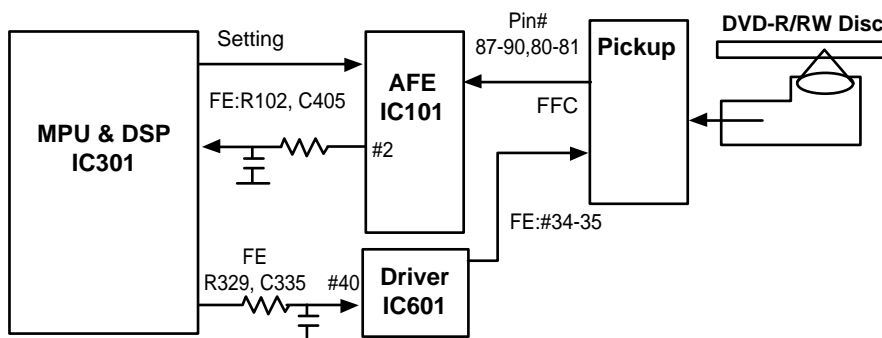
**(13) Tilt Adjust for DVD-RAM**



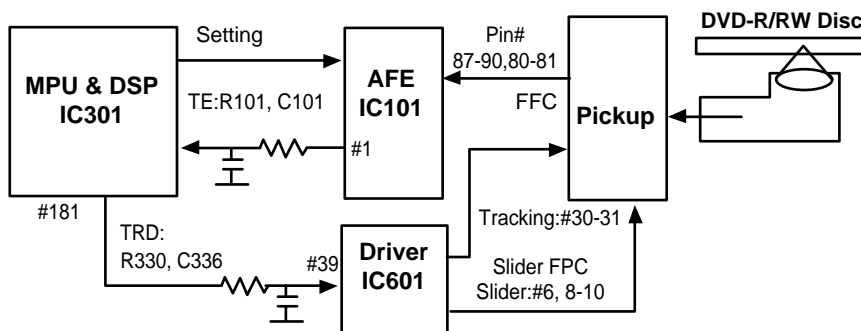
**(14) Tilt Adjust for DVD-R/RW, DVD+R/RW, CD-R/RW**



**(15) Focus Deviation Adjust**

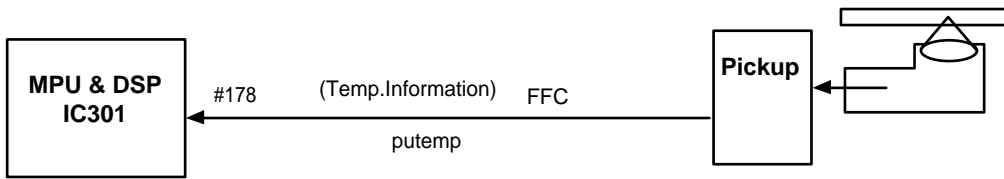


**(16) Focus Offset Adjust for DVD-R/RW, DVD+R/RW, CD-R/RW**

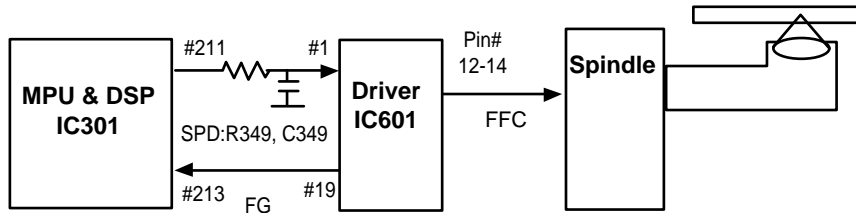




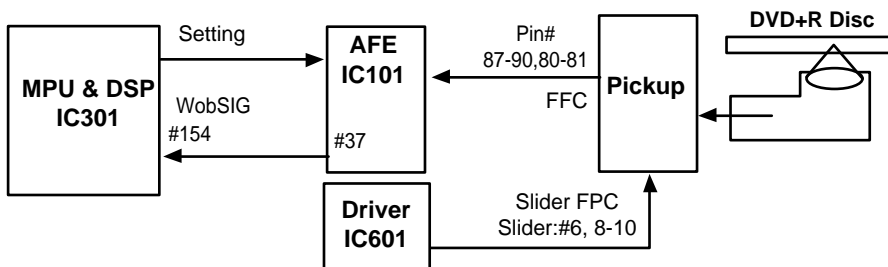
**(17) Lens Sensitivity Adjust**



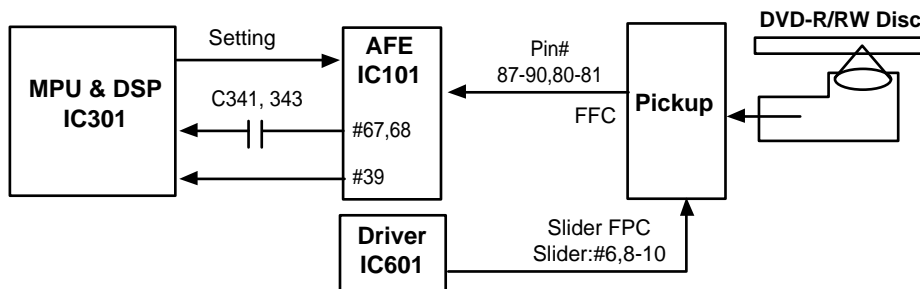
**(18) Spindle Offset Adjust**



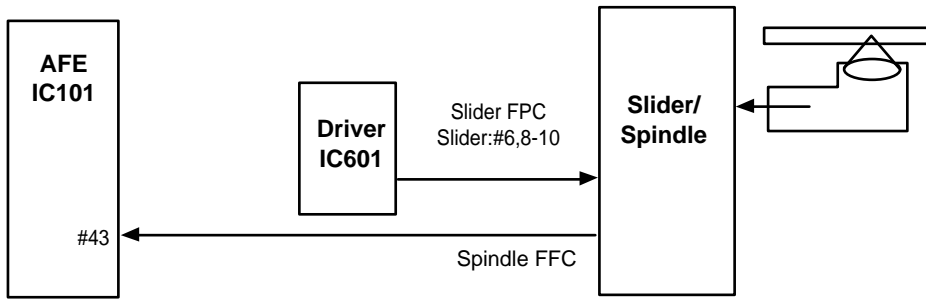
**(19) ADIP BPF/Read Timing Adjust for DVD+R/RW**



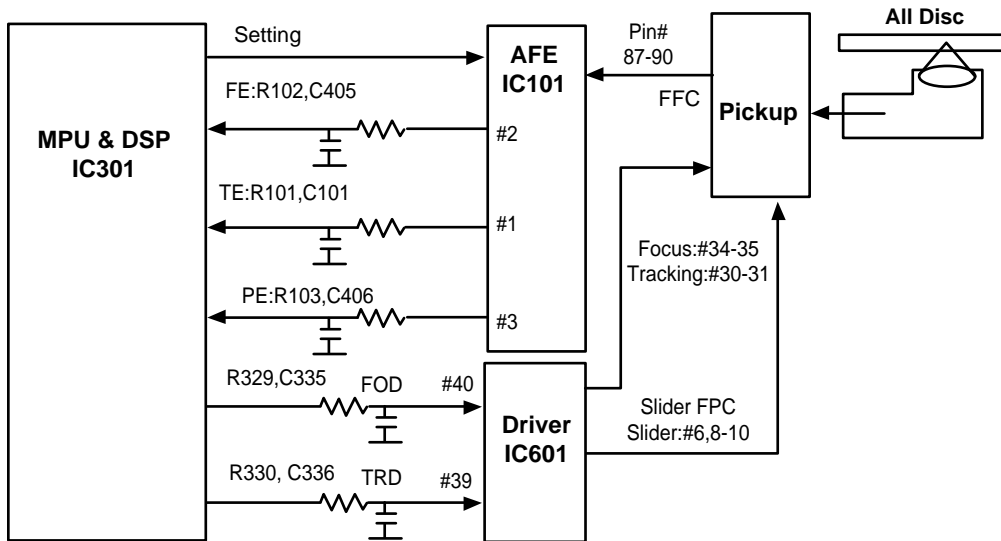
**(20) Focus Offset Adjust for DVD-R/RW, DVD+R/RW(DID)**



**(21) RTZ TimeOut Fail**



**(22) Focus Servo/Tracking Servo Fail**



## Detail Error Code & Fail Analysis

### 1. Laser Power Initial Adjust

No.	Error Code <b>SSB Byte8,9</b>	Contents of fail	Fail Analysis	Block Diagram
1	28xx (Exchange low/high byte)  Byte8: xxh Byte9: 28h	LP Adjust NG.	1) Check Pickup FFC Connection. 2) Check solder of IC101 circumference. (pin#6, 10, 12, L150, L151) 3) Check solder of IC102. 4) Exchange Pickup(LDD, Front Monitor). 5) Exchange IC101(AFE). 6) Exchange IC301(MPU & DSP).	No.01
2	48xx	High Frequency Adjust NG.	1) Check Pickup FFC Connection. 2) Exchange Pickup (LDD part). 3) Exchange IC301(DSP).	No.02
3	5Exx	NRZi Skew Adjust NG.	1) Check Pickup FFC Connection 2) Exchange Pickup (LDD part). 3) Exchange IC301(MPU & DSP).	No.02
4	4C0x to 4C4x	Data Slice Adjust NG.	1) Check solder of IC101 circumference. (pin# 79, L150, L151) 2) Exchange IC101(AFE). 3) Exchange IC301(MPU & DSP).	No.03
5	4C5x to 4C7x	EQ Boost Adjust NG.	1) Check solder of IC101 circumference. (pin# 79, L150, L151) 2) Exchange IC101(AFE). 3) Exchange IC301(MPU & DSP).	
6	4C80	RAW Slice Level Adjust NG.	1) Check solder of IC101 circumference. (pin# 79, L150, L151) 2) Exchange IC101(AFE). 3) Exchange IC301(MPU & DSP).	
7	4CAx	EQ Auto Frequency Adjust NG.	1) Check solder of IC101 circumference. (pin# 79, L150, L151) 2) Exchange IC101(AFE). 3) Exchange IC301(MPU & DSP).	

## 2. Adjusting Error during Disc Load Sequence (Lead in Error)

No.	Error Code SSB Byte21,22	Contents of fail	Fail Analysis	Block Diagram
1	42xx	Circuit Offset Adjust NG.	<ol style="list-style-type: none"> <li>1) Check Pickup FFC Connection.</li> <li>2) Check solder of IC101 circumference . (pin#,1,2,3 pin#87-90, FE_Servo: R102, C405 TE_Servo: R101, C101 PE_Servo: R103, C406)</li> <li>3) Exchange IC101(AFE).</li> <li>4) Exchange Pickup.</li> <li>5) Exchange IC301(MPU &amp; DSP).</li> </ol>	No.04
2	452x	Focus Amp Adjust NG. (DVD-DL Only)	<ol style="list-style-type: none"> <li>1) Check DVD-Dual Disc.</li> <li>2) Check Pickup FCC Connection.</li> <li>3) Check solder of IC101 circumference. (pin#1,2,3 pin#87-90, FE_Servo: R102, C405)</li> <li>4) Check Slider FPC Connection.</li> <li>5) Exchange IC101(AFE).</li> <li>6) Exchange IC601(Driver).</li> <li>7) Exchange IC301(MPU &amp; DSP).</li> </ol>	No.05
3	450x 451x 454x	Focus Amp Adjust NG. Total Amp Adjust NG.	<ol style="list-style-type: none"> <li>1) Check Pickup FFC Connection.</li> <li>2) Check solder of IC101 circumference. (pin#1,2,3 pin#87-90, FE_Servo: R102, C405 PE_Servo: R103, C406)</li> <li>3) Exchange Pickup.</li> <li>4) Exchange IC101(AFE).</li> <li>5) Exchange IC301(MPU &amp; DSP).</li> </ol>	No.06
4	458x	Tracking Amp Adjust NG.	<ol style="list-style-type: none"> <li>1) Check Pickup FFC Connection.</li> <li>2) Exchange Pickup.</li> <li>3) Check solder of IC101 circumference. (pin#1,2,3 pin#87-90, TE_Servo: R101, C101)</li> <li>4) Exchange IC101(AFE).</li> <li>5) Exchange IC301(MPU &amp; DSP).</li> </ol>	No.07
5	47xx	Servo Loop Gain Adjust NG.	<p>47XA: Disc Unmatch(Exchange Disc).</p> <ol style="list-style-type: none"> <li>1) Check Pickup FFC Connection.</li> <li>2) Exchange Pickup (Signal Noisy).</li> <li>3) Check solder of IC101 circumference. (pin#1,2,3 pin#87-90, FE_Servo: R102, C405 TE_Servo: R101, C101)</li> <li>4) Exchange IC101(AFE).</li> <li>5) Exchange IC301(MPU &amp; DSP).</li> </ol>	No.08
6	49xx	Unwritten Slice Level Adjust NG. (RAM Only)	<p>4906: RAM Disc NG (Exchange Disc).</p> <ol style="list-style-type: none"> <li>1) Check solder of IC101 circumference. (pin#1,2,3 pin#87-90)</li> <li>2) Exchange IC101(AFE).</li> <li>3) Exchange IC301(MPU &amp; DSP).</li> </ol>	No.09

No.	Error Code <b>SSB Byte21,22</b>	Contents of fail	Fail Analysis	Block Diagram
7	4Axx	Focus Offset Adjust NG. (DVD-ROM,CD-R/RW)	4A08: Disc Unmatch(Exchange Disc). 1) Check Pickup FFC Connection. 2) Exchange Pickup. 3) Exchange IC301(MPU & DSP).	No.10
8	4A5x 4A6x	Focus Offset Adjust NG. (RAM Only for PID)	1) RAM Disc NG (Exchange RAM Disc) 2) Exchange Pickup 3) Exchange IC101(AFE) 4) Exchange IC301(MPU & DSP)	No.11
9	4A8x	Focus Offset Adjust NG. (RAM Only for Data)	4A88: RAM Disc NG (Exchange RAM Disc). 1) Exchange Pickup. 2) Exchange IC101(AFE). 3) Exchange IC301(MPU & DSP)	No.12
10	4B0x	Tilt Adjust NG(RAM Only).	1) Check Pickup FFC Connection. 2) Exchange Pickup. 3) Check solder of IC101circumference. (pin#6,7 R106, C106, R107, C107) 4) Exchange IC101(AFE). 5) Exchange IC301(MPU & DSP).	No.13
11	4B8x	Tilt Adjust NG(DVD-/+ R/RW).	1) Check Pickup FFC Connection. 2) Exchange Pickup. 3) Check solder of IC601 circumference. 4) Exchange IC601. 5) Check solder of IC301 circumference. 6) Exchange IC301 7) Exchange Slider Motor.	No.14
12	4CCx	Data Slice Adjust NG. (RAM Only)	1) Exchange Pickup. 2) Exchange IC101(AFE). 3) Exchange IC301(MPU & DSP).	No.12
13	4Dxx	Focus Deviation Adjust NG.	1) Check Pickup FFC Connection. 2) Exchange Pickup. 3) Check solder of IC301circumference. 4) Exchange IC301(MPU & DSP).	No.15
14	182x 01xx	Home Position Adjust NG. (DVD-SL Only)	1) Check FFC Connection. 2) Check Slider FPC Connection. 3) Exchange Slider Motor. 4) Check solder of IC101circumference. 5) Exchange IC101(AFE) .	No.21
15	52xx	Focus Offset Adjust NG. (DVD-R/RW, +R/RW)	1) Check Pickup FFC Connection. 2) Exchange Pickup. 3) Check solder of IC101circumference. (pin#1,2,3 pin#87-90, TE_Servo: R101, C101) 4) Exchange IC101(AFE).	No.16

No.	Error Code <b>SSB Byte21,22</b>	Contents of fail	Fail Analysis	Block Diagram
16	54xx	DPP Amp Adjust NG. (CD Disc Only)	<ol style="list-style-type: none"> <li>1) Check Pickup FFC Connection.</li> <li>2) Exchange Pickup.</li> <li>3) Check solder of IC101 circumference. (pin#1,2,3 pin#87-90, TE_Servo: R101, C101)</li> <li>4) Exchange IC101(AFE).</li> <li>5) Exchange IC301(MPU &amp; DSP).</li> </ol>	No.07
17	55xx	Lens Shift/ Tilt Adjust NG. (CD Disc Only)	<ol style="list-style-type: none"> <li>1) Check Pickup FFC Connection.</li> <li>2) Exchange Pickup.</li> <li>3) Check solder of IC601 circumference.</li> <li>4) Exchange IC601.</li> <li>5) Check solder of IC301 circumference.</li> <li>6) Exchange IC301</li> <li>7) Exchange Slider Motor</li> </ol>	No.14
18	56xx	Focus Level Adjust NG.	<ol style="list-style-type: none"> <li>1) Check Pickup FFC Connection.</li> <li>2) Exchange Pickup.</li> <li>3) Check solder of IC101 circumference. (pin#1,2,3 pin#87-90, PE_Servo: R103, C406)</li> <li>4) Exchange IC101(AFE).</li> <li>5) Exchange IC301(MPU &amp; DSP).</li> </ol>	No.06
19	57xx	HFPE Amp/Gain Adjust NG.	<ol style="list-style-type: none"> <li>1) Check Pickup FFC Connection.</li> <li>2) Exchange Pickup.</li> <li>3) Check solder of IC101 circumference. (pin#6,7 R106, C106, R107, C107)</li> <li>4) Exchange IC101(AFE).</li> <li>5) Exchange IC301(MPU &amp; DSP).</li> </ol>	No.13
20	58xx	Lens Sensitivity Adjust NG.	<ol style="list-style-type: none"> <li>1) Check Pickup FFC Connection.</li> <li>2) Exchange Pickup.</li> <li>3) Check solder of IC301 circumference.</li> <li>4) Exchange IC301(MPU &amp; DSP).</li> </ol>	No.17
21	59xx	Spindle Offset Adjust NG.	<ol style="list-style-type: none"> <li>1) Check Spindle FFC Connection.</li> <li>2) Check solder of IC601 circumference. (pin#12-14)</li> <li>3) Exchange IC601(Driver).</li> <li>4) Exchange Spindle Motor.</li> <li>5) Check solder of IC301 circumference.</li> <li>6) Exchange IC301(MPU &amp; DSP).</li> </ol>	No.18

No.	Error Code <b>SSB Byte21,22</b>	Contents of fail	Fail Analysis	Block Diagram
22	5Axx	ADIP read timing Adjust NG.	5A01: Check DVD+R Disc (Exchange Disc) . 1) Check Pickup FFC Connection. 2) Exchange Pickup. 3) Exchange IC101(AFE). 4) Exchange IC301(MPU & DSP). 5) Exchange IC601(Driver)	No.19
23	5Cxx	Signal Amp Error.	1) Check Pickup FFC Connection. 2) Exchange Pickup. 3) Check solder of IC101circumference. (pin#1,2,3 pin#87-90, PE_Servo: R103, C406) 4) Exchange IC101(AFE). 5) Exchange IC301(MPU & DSP).	No.06
24	5Dxx	Focus Offset Adjust NG. (DVD-R/RW,+R/RW in Data)	1) Check Pickup FFC Connection. 2) Exchange Pickup. 3) Check solder of IC101circumference. 4) Exchange IC101. 5) Check solder of IC701circumference. 6) Exchange IC301(MPU & DSP). 7) Exchange Slider Motor.	No.20

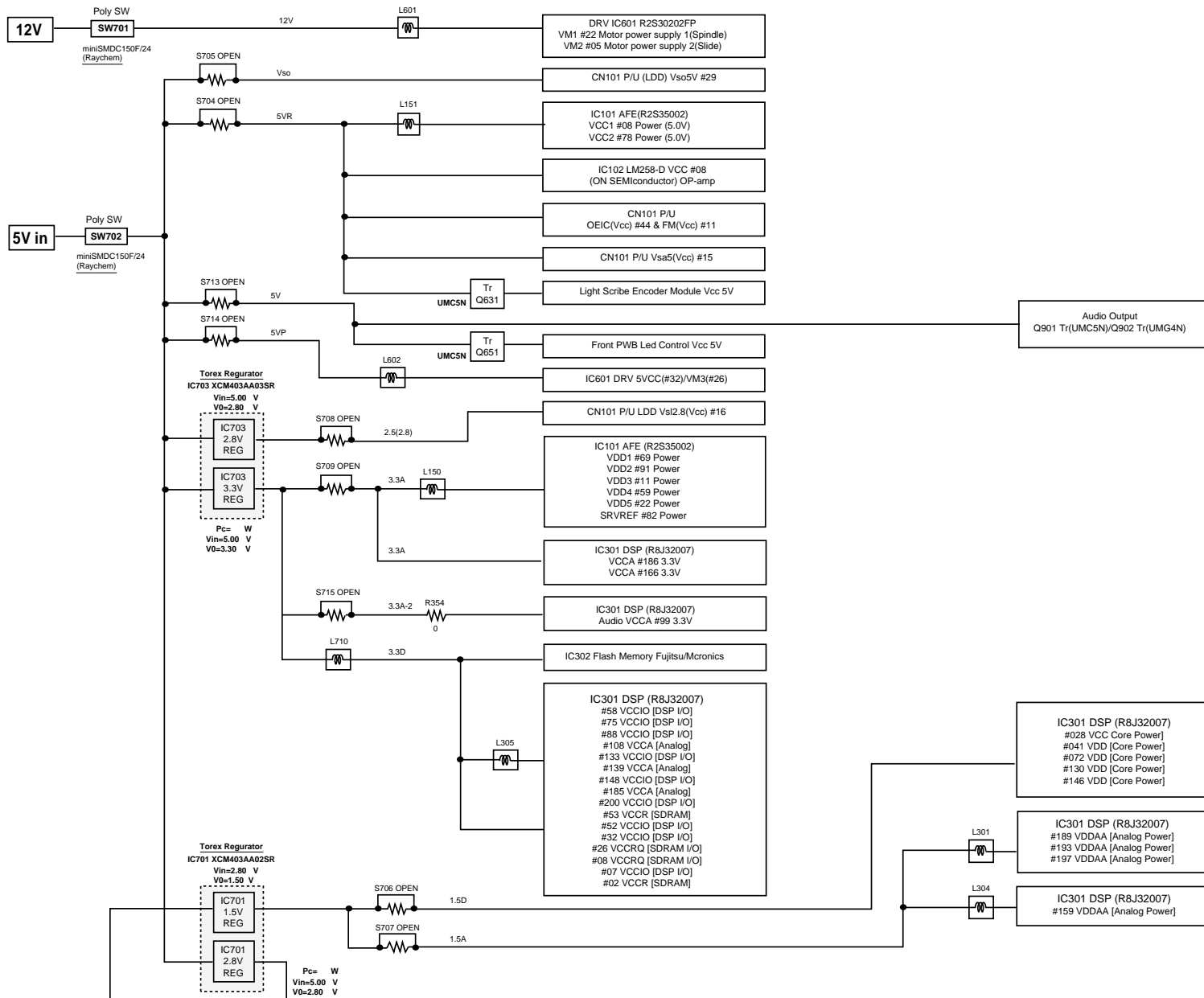
### 3. Loading Sequence Error (Lead in Error)

No.	Error Code <b>SSB Byte21,22</b>	Contents of fail	Fail Analysis	Block Diagram
1	2503,2504	RTZ Timeout(Sled Timeout).	<ol style="list-style-type: none"> <li>1) Check Slider FPC Connection.</li> <li>2) Check solder of IC601 circumference . (pin#2-3, 6, 8-10)</li> <li>3) Exchange IC601.</li> <li>4) Exchange Slider Motor.</li> </ol>	No.21
2	2020,2021	Focus Fail.	<ol style="list-style-type: none"> <li>1) Check Pickup FFC Connection.</li> <li>2) Exchange Pickup.</li> <li>3) Check solder of IC601 circumference.</li> <li>4) Exchange IC601(Driver)</li> <li>5) Check solder of IC101 circumference. (pin#1,2,3pin#87-90, FE_Servo: R102, C405)</li> <li>6) Exchange IC101(AFE).</li> </ol>	No.22
3	2101,2102	Tracking Fail.	<ol style="list-style-type: none"> <li>1) Check Pickup FFC Connection.</li> <li>2) Exchange Pickup.</li> <li>3) Check solder of IC601 circumference.</li> <li>4) Exchange IC601(Driver).</li> <li>5) Check solder of IC101 circumference. (pin#1,2,3 pin#87-90, TE_Servo: R101, C101).</li> <li>6) Exchange IC101(AFE).</li> </ol>	No.22
4	2000~2010	Spindle Fail.	<ol style="list-style-type: none"> <li>1) Check Spindle FFC Connection.</li> <li>2) Check solder of IC601 circumference. (pin#12-14)</li> <li>3) Exchange IC601(Driver).</li> <li>4) Exchange Spindle Motor.</li> <li>5) Check solder of IC301 circumference.</li> <li>6) Exchange IC301(MPU &amp; DSP).</li> </ol>	No.18



# JR6 Power Supply System Diagram

\* Ver1.0 It created based on the PLT circuit diagram.



### PCB Poor Analysis - Check list

No	Circuit/IC	Signal	Signal/Level	measurement-point (IC-pin or Device)
1	Power supply	Line-12V	12V	CN801-41
2		Line-5V	5V	CN801-44
3	(IC701)	reg-1.5V	1.5V	IC701-2
4		reg-2.8V	2.8V	IC703-5
5	(IC703)	reg-3.3V	3.3V	IC703-2
6	Flash-ROM	VDD : 3.3V	3.3V	37
7	(IC302)	CS	Active-Low	26
8		XRD	read-CK	28
9	DSP	VDD : 1.5V	1.5V	41, 28, 72, 130, 146, 159, 189, 193, 197
10	(IC301)	VCC(D) : 3.3V	3.3V	7, 32, 52, 58, 75, 88, 133, 148, 200, 199, 2, 53, 185, 139, 108, 8, 26
11		VCC(A) : 3.3V	3.3V	186, 166, 99
12		Clock-34MHz	33.8688MHz	106, 107
13		MRSTB	(3.3V)High	202
14	AFE	VCC : 5.0V	5.0V	8, 78
15	(IC101)	VDD : 3.3V	3.3V	22, 11, 91, 59, 69, 82
16	OP-amp (IC102)	VCC : 5.0V	5.0V	8
17	7ch-DRV	5VCC : 5V	5V	32
18	(IC601)	VM3 : 5V	5V	26
19		VM1, 2 : 12V	12V	5, 22
20		REF : 1.65V	1.65V	42
21	Pick-up	VCC(FM) : 5.0V	5.0V	11
22		VCC(OEIC) : 5.0V	5.0V	44
23		VC(OEIC) : 2.1V	2.1V	43
24		VREF : 2.5V	2.5V	9
25		VSL25 : 2.8V	2.8V	16
26		VSA5 : 5.0V	5.0V	15
27		VSO : 5.0V	5.0V	29

\* When there are two or more power supply pins of LSI, it checks by one random pin first.

### 1. Self-Diagnostic Function by LED Blink.

- **Basic operation:** At JR6, MPU is included in DSP, MPU accesses each peripheral (inside, exterior) device, and discover a defect by the ability of a read/write of data to be performed correctly. Since MPU operates by the program with a built-in Flash-ROM, when abnormalities are in MPU, Flash-ROM, and these Data-Bus & control signals, this self-diagnostic function cannot be used. In such a case, the case where LED does not light up at all at the time of a power supply injection is almost the case.
- **MPU:** In DSP Flash-ROM (16Mb) is connected to the exterior Bus of MPU. Even if the MPU-Bus terminal of Flash-ROM short-circuits, it becomes impossible for MPU to read the right program data from Flash-ROM, and stops for this reason, turning on LED at all. On the other hand, the own poor device of DSP, and the open state of IC-pin, when a defect does not influencing Bas of MPU, it can detect correctly and becomes blink of LED according to those defects.
- **DSP:** DSP has ATAPI-IF, LDD-serial-IF, AFE-serial-IF, and an AFE control signal as Digital-IF. As Analog-IF, it has the slice circuit of RF signal from AFE, PLL, the objects ADC and DAC for SERVO, and ADC for ADIP detection. Among these, own poor Digital of DSP, and AFE-serial-IF can detect by this self-diagnostic function.
- **AFE:** Poor detection of AFE is restricted to detection of a limitation-item. Since the greater part of the function is analog signal processing, AFE serves as a register in AFE, and a check, which accepts it, serial IF in the logical digital examination from MPU. In addition, serial-IF for AFE control is performed via DSP. This is writing in the Write command and setting data, and is automatically transmitted to the predetermined register of DSP. Conversely, when it leads the register information on AFE, the read command can be written in the predetermined register of DSP, and the value of an AFE register can be read by reading the read register of DSP after that. Therefore, serial [between the poor register of AFE, and AFE and DSP], when there is LED blink with poor AFE — the defect of IF or the defect of the register for AFE of DSP is considered.
- Refer to the contrast table of the number of times of blink of LED, and a poor part.
- The self-diagnostic function by this LED blink is carried out in the state of a set without a PCB independent or loading Disc.

2. LED does not blink at all at the time of a power supply injection. Eject-SW does not react.

(1) Is it normal to the exterior Bus (Data-Bus, Address-Bus, control signal system) of MPU?

Viewing — check: -- a short circuit, opening, etc.

• The device connected to the exterior Bus of MPU in DSP, and its signal list

Peripheral device [Bus/Signal]	Flash -ROM (IC302)
Address	A1~A20
Data	D0~D15
CS*	CS0B
WCK	WR
RCK	RD

=> It repairs, when abnormalities are discovered.

(2) Does the power supply circuit operate normally?

External input 12V, external input 5V, regulator 3.3V, regulator 2.8V, and regulator 1.5V

=>When the abnormalities are discovered, an external power supply, a power supply cable, and Regulator IC are exchanged.

=> Since a problem is in a load side when not improving, even if it exchanges the above, and attached sheet JR6 power-supply system figure is made reference, and poor portions, such as a short circuit of a power supply part, are found out and fixed.

(3) Is the clock of MPU in DSP oscillated correctly?

Checked the ceramic oscillation element's X301 both-ends and DSP(106)(107) 33.87MHz oscillating.

=> When 3.3V power supply is correctly supplied to DSP and the clock is not oscillating correctly, it is the defect of MPU, or an oscillation element defect, and part exchange is performed in order of DSP and X301.

(4) The defect of Flash-ROM

Although the clock of DSP is oscillating correctly and the power supply circuit is also outputting normal voltage, when LED does not blink at all at the time of a power supply injection and Eject-SW does not react, either, poor Flash-ROM is the most doubtful.

=> Flash-ROM (IC302) are exchanged.

**Note:** Before Flash-ROM exchange, the CS signals of the external device of MPU in DSP connection, an Address signal, and a Data signal are observed on a waveform level, and since the but most amount of work and the special knowledge which can raise the discovery accuracy of a poor part are necessities, recommendation is impossible.

(5) Even if it performs the above-mentioned repair, when not improving, the disconnection and the short circuit which cannot be discovered, can be considered in viewing of PCB. Moreover, partial breakage (although a clock is oscillated, somewhere in insides do not operate.) of DSP can be considered.

=> When not improving above, the possibility that a PCB pattern is faulty is high, and judges repair to be difficult.

### 3. Motor, Abnormalities in Actuator System

The drive circuit of a motor & actuator consists of the three ICs IC601(R2S30202FP). The work of each IC is as follows.

#### (1) IC601(R2S30202FP) : 7ch driver

Spindle motor driver: 180° audio drive Type, an analog input, a PWM drive, a Vm=12V.

Stepping motor driver X2: analog input, a PWM drive (differential), a Vm=12V

Loading motor driver: Input/Output PWM drive, Vm=5V.

Focus actuator driver: analog input / output (differential), a Vm=5V

Tracking actuator driver: analog input / output (differential), Vm=5V

Tilt actuator driver : analog input/output (differential), Vm=5V.

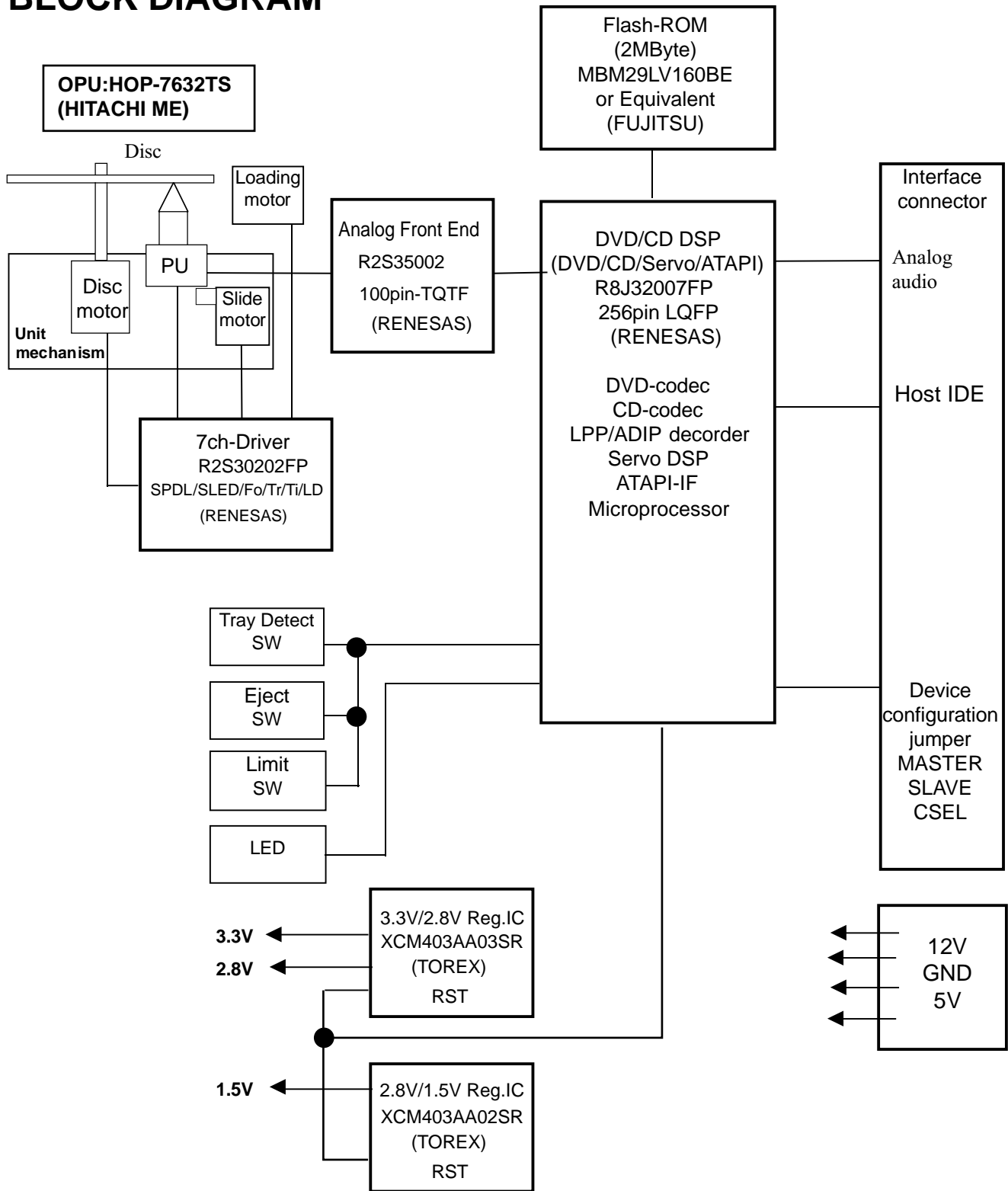
#### A motor & actuator and its correspondence pin

Signal/CH	SPDL-MT	STEP-MT	Load-MT	Focus-ACT	Track-ACT	Tilt-ACT
Input	(1)SPIN	(2)SL1IN (3)SL2IN	(41)LOIN	(40)FOIN	(39)TOIN	(38)TLIN
Reference	(42)REF 1.65V					
Output	(12)U (13)V (14)W	(6)SL2+ (8)SL2- (9)SL1+ (10)SL1-	(27)LO+ (28)LO-	(34)FO+ (35)FO-	(31)TO+ (30)TO-	(36)TL+ (37)TL-

#### A control mode setup by the control terminal

EN1(20)	EN2(21)	SPDL	SLED	Load	Focus/Track/Tilt
Low	Low	off	off	off	off
Low	High	off	on	on	off
High	Low	on	on	off	on
High	High	on	on	off	on

# BLOCK DIAGRAM



## Free Manuals Download Website

<http://myh66.com>

<http://usermanuals.us>

<http://www.somanuals.com>

<http://www.4manuals.cc>

<http://www.manual-lib.com>

<http://www.404manual.com>

<http://www.luxmanual.com>

<http://aubethermostatmanual.com>

Golf course search by state

<http://golfingnear.com>

Email search by domain

<http://emailbydomain.com>

Auto manuals search

<http://auto.somanuals.com>

TV manuals search

<http://tv.somanuals.com>