

Installation and Assembly - LG Set Top Box Attachment Accessory for PWMT300

Model: PWMT300-AC1

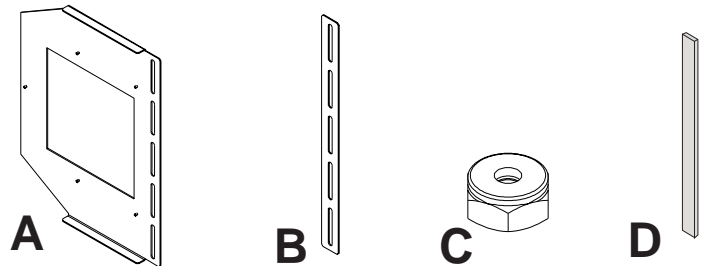
IMPORTANT! Read instruction sheet before you start installation and assembly.

Before you start make sure all parts listed are included with your product.

Parts List

| Description | Qty. | Part # |
|-----------------------------------|------|----------|
| A attachment plate | 1 | 201-1375 |
| B spacer plate | 1 | 201-1376 |
| C 6-32 nylock nut | 4 | 530-1006 |
| D self adhesive foam strip | 1 | 599-3802 |

Some parts may appear slightly different than illustrated.

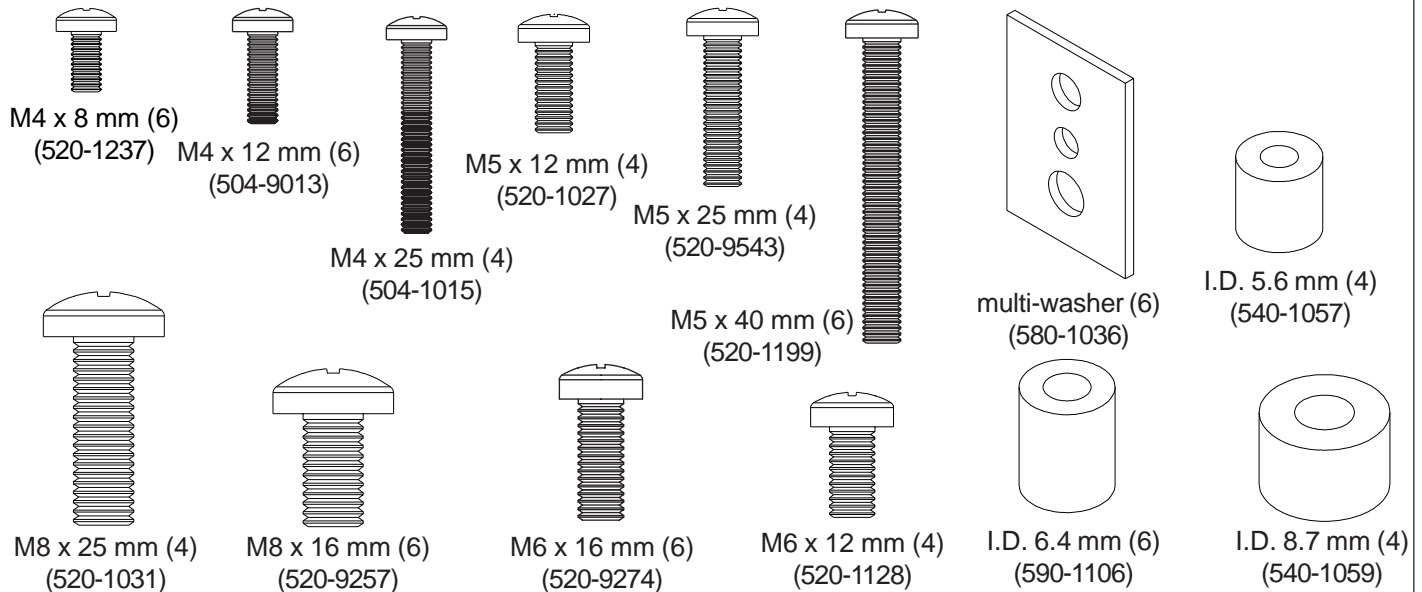


Tools Needed for Assembly

- 5/16" socket wrench

Fasteners below are included with PWMT300 and not the PWMT300-AC1. These fasteners may be required for assembly. Refer to compatibility chart in PWMT300 instruction for proper fasteners to use with screen.

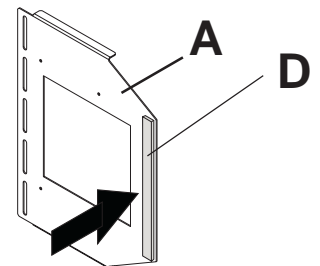
Adapter Bracket Fasteners



Parts may appear slightly different than illustrated.

- 1 Attach self adhesive foam strip (**D**) to the back of attachment plate (**A**) as shown.

Note: Back of plate is installed against flat panel screen so foam comes between the plate and the flat panel to prevent rattling.



⚠ WARNING

- When attaching the PWMT300-AC1 Accessory and PWMT300 Mount to the flat panel TV/Monitor, if the screws included with the PWMT300 Mount don't get 3 complete turns into the flat panel's threaded inserts, or if the screws bottom out and the PWMT300 Mount brackets are not tightly secured, damage may occur to the flat panel or the product may fail.

For installing HCS5610 Pay-Per-View Box, see step 2.

For installing LST-4100B IP Interface Module, see step 3.

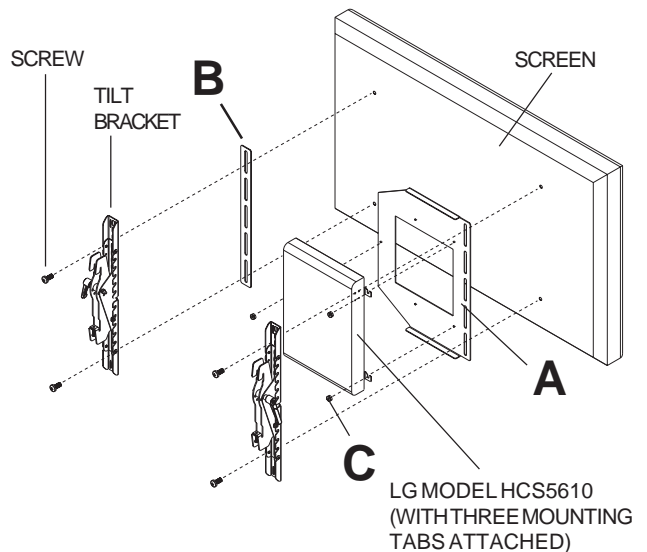
2 Installing HCS5610 Pay-Per-View Interface Box with Integrated HD Tuner to Attachment Plate

Note: Rubber grommets on the mounting tabs of HCS5610 will have to be removed before installing.

Place HCS5610 onto the threaded studs on attachment plate (A) and secure with 6-32 nylock nuts (C) using a 5/16" socket wrench.

Place one tilt bracket (from PWMT300 Mount) over attachment plate (A) and one bracket over spacer plate (B). Place the appropriate length screws (from PWMT300 Mount) through each bracket and plate combination and securely fasten to the flat panel TV/Monitor.

Note: Due to the additional thickness of attachment plate (A) and spacer plate (B), longer screws may be required to securely fasten each bracket and plate combination to the flat panel TV/Monitor. Refer to Warning! box above regarding the need for 3 complete turns required. See page 1 for additional length screws included in the PWMT300 mount hardware kit.



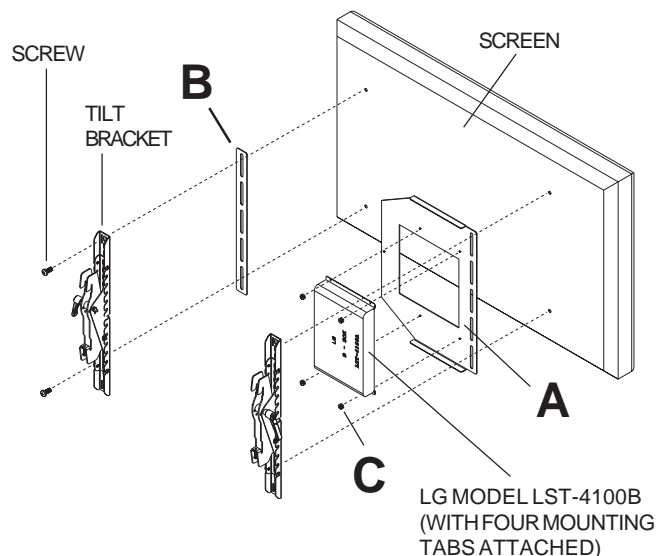
3 Installing LST-4100B IP Interface Module to Attachment Plate

Note: Rubber grommets on the mounting tabs of LST-4100B will have to be removed before installing.

Place LST-4100B onto the threaded studs on attachment plate (A) and secure with 6-32 nylock nuts (C) using a 5/16" socket wrench.

Place one tilt bracket (from PWMT300 Mount) over attachment plate (A) and one bracket over spacer plate (B). Place the appropriate length screws (from PWMT300 Mount) through each bracket and plate combination and securely fasten to the flat panel TV/Monitor.

Note: Due to the additional thickness of attachment plate (A) and spacer plate (B), longer screws may be required to securely fasten each bracket and plate combination to the flat panel TV/Monitor. Refer to Warning! box above regarding the need for 3 complete turns required. See page 1 for additional length screws included in the PWMT300 mount hardware kit.



Free Manuals Download Website

<http://myh66.com>

<http://usermanuals.us>

<http://www.somanuals.com>

<http://www.4manuals.cc>

<http://www.manual-lib.com>

<http://www.404manual.com>

<http://www.luxmanual.com>

<http://aubethermostatmanual.com>

Golf course search by state

<http://golfingnear.com>

Email search by domain

<http://emailbydomain.com>

Auto manuals search

<http://auto.somanuals.com>

TV manuals search

<http://tv.somanuals.com>