

20" CLASS (20.0" DIAGONAL)

20LH1DC1

LCD TV

Hospital Grade LCD EDTV



UL HOSPITAL GRADE LISTED
Built-in Pillow Speaker Port
Built-in Card Slot (MPI™ Interface)
Electrically Isolated Earphone Output
High Reliability, Sealed Front Panel Controls

HD VOD PPD DECRYPTION

INTEGRATED PRO:IDIOM®

BUILT-IN ATSC/NTSC/QAM CLEAR TUNERS

RESOLUTION
640 x 480 (VGA)

DIRECT AC INPUT

DISCRETE IR CODES

BUILT-IN STEREO SPEAKERS

178° VIEWING ANGLE
Super IPS Technology allows for
viewing from almost any angle

HDMI™ AND AV INPUTS

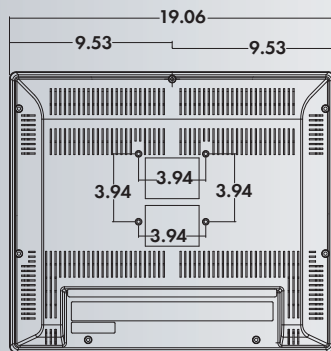
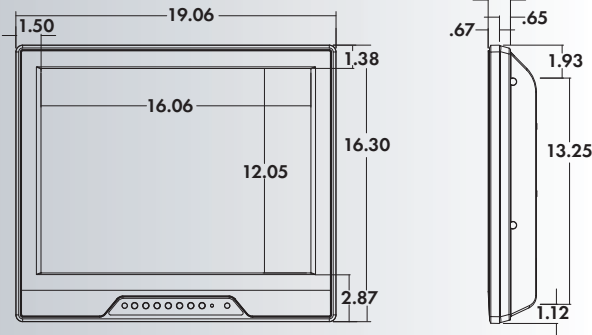
100mm STANDARD VESA™ MOUNTING INTERFACE

2 YEAR LIMITED WARRANTY
(parts and labor)

www.LGcommercial.com



20LH1DC1 20" CLASS (20.0" DIAGONAL)



REAR JACK INPUTS



SPECIFICATIONS

DISPLAY

LCD Panel Type	20"
Display Area	20.0" diagonal
Aspect Ratio	4:3
Panel Resolution (640x480)	VGA
Pixels (HxVx3)	921,600
Brightness	450 cd/m ²
Contrast Ratio	500:1
Super IPS Panel	Yes
Color Depth	262,144
Viewing Angle (Horizontal/Vertical)	178° / 178°

VIDEO

ATSC/NTSC/QAM Clear Tuners	Built-in
VOD PPD Decryption	Built-in (Pro:Idiom)
Comb Filter	3D Digital
Digital Progressive Scan	Yes
Auto-Programming	Yes
White Peak Control	Yes

AUDIO

Mono/MTS Stereo	Yes
Auto Volume Leveler	Yes
Headphone Output	Yes (Isolated)
Audio Power	2x2 Watts

VIDEO/AUDIO OUTPUTS

Composite A/V input	1 Set
RF input	1 Input (on Card only)
MPI (RJ-11) interface	Yes (on Card)
Stereo Headphone (Isolated)	1 (Front)
Pillow Speaker Port	Yes
HDMI	Yes
RS-232C control	1 (service only)

SPECIAL FEATURES

Discrete IR Codes	Yes
Menu Languages	English/Spanish/French
Sleep & On/Off Timers	Yes
Parental Control w/V-Chip	Yes
Flashback, Captions	Yes
(Flashback w/optional remote)	
High Reliability, Sealed, Soft Touch Controls	Yes

REQUIRED CERTIFICATIONS

UL, CUL, FCC	Yes
UL Hospital Grade	Yes
UPC CODE	7 191921 7221 0

OPTIONAL ACCESSORIES

Installer Remote	124-213-07
Patient Remote	124-213-08
QuickSet II "Clone" Programmer	LT2002

CABINET

Color	Silver
Dimensions (WxHxD)	19.06"x16.30"x2.87"
Weight	16.53 Lbs.
Carton Dimensions (WxHxD)	21.26"x18.11"x5.71"
Shipping Weight	19.73 Lbs.
Table Stand	Not included
VESA Standard Mount Interface	100mm
UL Hospital Grade AC Cord	Yes

POWER REQUIREMENTS

Direct AC Input	Yes
Power Source	AC100-240V (50-60Hz)
Power (Nominal)	Standby 10.0 Watts (typ.) Operation 58.0 Watts (typ.)

SSM Surround Max, Flat, Music, Movie, Sports, User

SERVICE/LIMITED WARRANTY

Limited Warranty	2 Years Parts/Labor
------------------	---------------------

www.LGcommercial.com



LG Electronics U.S.A., Inc.
Commercial Products Division
2000 Millbrook Drive
Lincolnshire, IL 60069

Customer Service: 888.865.3026

Contact your LG Regional Sales Representative
Healthcare: 877.793.6484



All screen images are simulated. Dimensions and weights are approximate. Design, features and specifications subject to change without notice.

© Copyright 2008 LG Electronics USA, Inc. All Rights Reserved. "LG Life's Good" is a registered trademark of LG Corp. Pro:Idiom is a registered trademark and MPI is a trademark of Zenith Electronics Corp.

VESA is a trademark of Video Electronics Standards Association. All other product and brand names are trademarks or registered trademarks of their respective companies.

Free Manuals Download Website

<http://myh66.com>

<http://usermanuals.us>

<http://www.somanuals.com>

<http://www.4manuals.cc>

<http://www.manual-lib.com>

<http://www.404manual.com>

<http://www.luxmanual.com>

<http://aubethermostatmanual.com>

Golf course search by state

<http://golfingnear.com>

Email search by domain

<http://emailbydomain.com>

Auto manuals search

<http://auto.somanuals.com>

TV manuals search

<http://tv.somanuals.com>