



RJP-110F Series Remote Jack Pack

(RJP-110F / RJP-110FW)

Installation & Setup Guide Warranty

© Copyright 2007, LG Electronics U.S.A., Inc.

For Customer Support/Service, please call: **1-888-865-3026**
www.lgcommercial.com



The exclamation point within an equilateral triangle is intended to alert the user to the presence of important operating and maintenance (servicing) instructions in the literature accompanying the appliance.

CAUTION:

TO REDUCE THE RISK OF ELECTRIC SHOCK - - USE ONLY INDOORS

ATTENTION:

RISQUE DE CHOCS ÉLECTRIQUE - - POUR INSTALLATION À L'INTÉRIEUR SEULEMENT

WARNING:

TO PREVENT FIRE OR SHOCK HAZARDS, DO NOT EXPOSE THIS PRODUCT TO RAIN OR MOISTURE.

Apparatus shall not be exposed to dripping or splashing and no objects filled with liquids, such as vases, shall be placed on the apparatus.

AVERTISSEMENT:

L'appareil ne doit pas être exposé à des égouttements d'eau ou des éclaboussures et de plus qu'aucun objet rempli de liquide tel que des vases ne doit être placé sur l'appareil.

REGULATORY INFORMATION:

This equipment has been tested and found to comply with the limits for a Class B digital device, pursuant to Part 15 of the FCC Rules. These limits are designed to provide reasonable protection against harmful interference when the equipment is operated in a residential installation. This equipment generates, uses and can radiate radio frequency energy and, if not installed and used in accordance with the instruction manual, may cause harmful interference to radio communications. However, there is no guarantee that interference will not occur in a particular installation. If this equipment does cause harmful interference to radio or television reception, which can be determined by turning the equipment off and on, the user is encouraged to try to correct the interference by one or more of the following measures:

- Reorient or relocate the receiving antenna.
- Increase the separation between the equipment and receiver.
- Connect the equipment into an outlet on a circuit different from that to which the receiver is connected.
- Consult the dealer or an experienced radio/TV technician for help.

CAUTION:

Do not attempt to modify this product in any way (except as noted herein) without written authorization from LG Electronics U.S.A., Inc. Unauthorized modification could void the user's authority to operate this product.

COMPLIANCE:

The responsible party for this product's compliance is:
LG Electronics U.S.A., Inc., 2000 Millbrook Drive
Lincolnshire, IL 60069, USA • Phone: 1-847-941-8000.

Marketed and Distributed in the United States by LG Electronics U.S.A., Inc.
2000 Millbrook Drive, Lincolnshire, IL 60069

Table of Contents

Safety Warnings	2
Table of Contents	3
Overview	4 - 5
Installation	
Installation in Desk / Cabinet Top	6
Installer Connections	7
Connections to TV Display Panel	8
Removable 4-page Hole Drilling Template	
RJP-110F Remote Jack Pack Hole Drilling Template	A
Cabinet/Desk Top Hole Drilling Template	B-C
Installation/Drilling Instructions	D
Accessory Cable: DVI to HDMI Adapter Cable/Strain Relief	9
End-User Operation	
End-User Multi-Media Connections	10
End-User Devices & Audio/Video Priorities	11
Specifications	12
Troubleshooting	
Troubleshooting	13
Troubleshooting Flow Chart	14
Quick Setup Reference Guide	15
Warranty	Back Cover

Note: Model Number RJP-110F indicates the dark colored cabinet.
Model Number RJP-110FW indicates the white colored cabinet.

Overview

RJP-110FW



RJP-110F

The Remote Jack Pack (RJP) contains circuitry to determine the presence of a signal at each input jack.

(Note: Audio In, Audio In L-R and Video In inputs detect the presence of the inserted plug, regardless if a signal is present or not.)

When a source is detected, its priority is compared to the priority of other sources which may be present. If the newly-connected active source is of higher priority than the existing source(s), the RJP directs the TV display panel to that source.

Video and audio are monitored and switched independently.

Power is supplied to the RJP by the TV display panel via the control signal cable.



CLEANING CAUTION:

Since the end-user jack panel is exposed, use extreme caution when cleaning. Do not use liquid cleaners on the connections panel. Do not allow liquids to be spilled, sprayed onto or otherwise come into contact with the connections panel on the end-user side. Clean with a slightly damp cloth.

Introduction

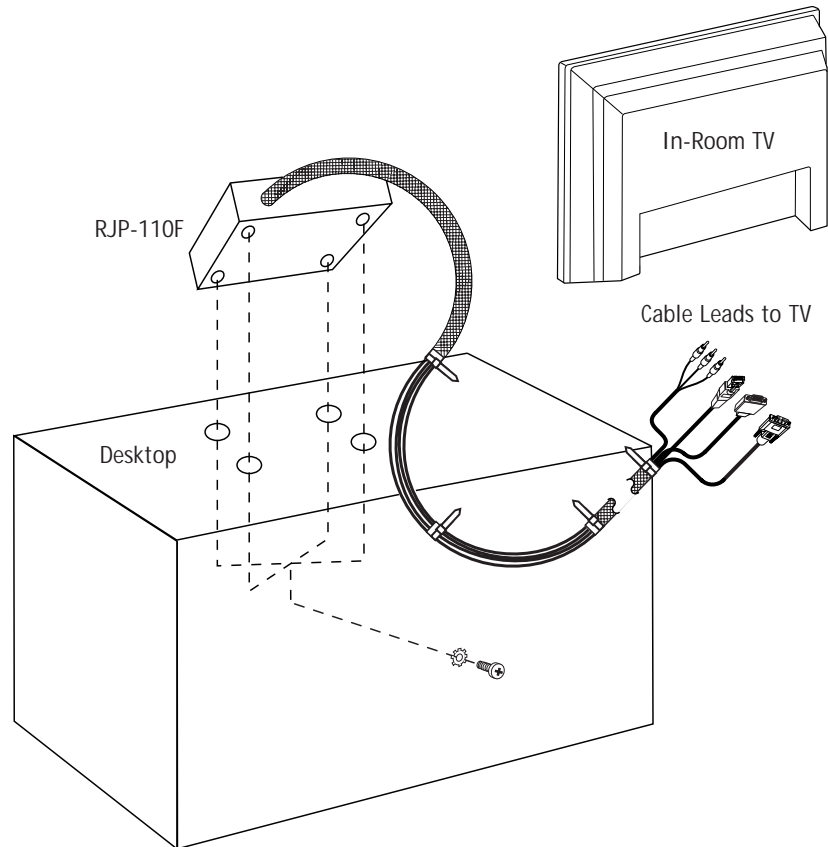
Conveniently installed right in the room where guests will stay, the LG Remote Jack Pack, (RJP) multi-media interface is available to end-users to connect audio, video and computer devices to hear and view on the in-room TV display panel. The RJP can be set up to interface with the TV display panel to show the image and/or sound from a portable DVD/CD Player, Camcorder, MP-3 Player, Notebook computer, or portable Video Game Player. Or, devices with digital video output such as DVD players. If the end-user does not connect any devices, then the in-room TV display panel will remain on the source selected. When the end-user connects a device, the interface switches the TV display panel to the new source.

The RJP interface is designed to be able to process audio from one source, and video separately from a different source, if required. (The end-user can work on a laptop computer while listening to music from an MP-3 player.) However, only one audio and one video source can be heard/seen at the same time.

The end-user can simply plug the device's power cord into a convenient AC power outlet. Then plug in its Audio/Video cable(s) to the RJP input jack(s) and turn the device on. The RJP completes the connection between the newly-connected audio and/or video source and the TV display panel. No end-user menus are involved, all connections are made directly to the interface.

The RJP continually monitors its source inputs. When a signal is detected, (a device is plugged into one of the RJP inputs) the interface sends a message to the TV display panel to switch to the newly-connected source (if the new source is of higher priority). The interface allows only the higher priority audio and video to be heard and seen on the TV display panel. The control cable supplies 12 Volt DC power from the TV display panel to operate the interface.

Installation on Desk/Cabinet Top



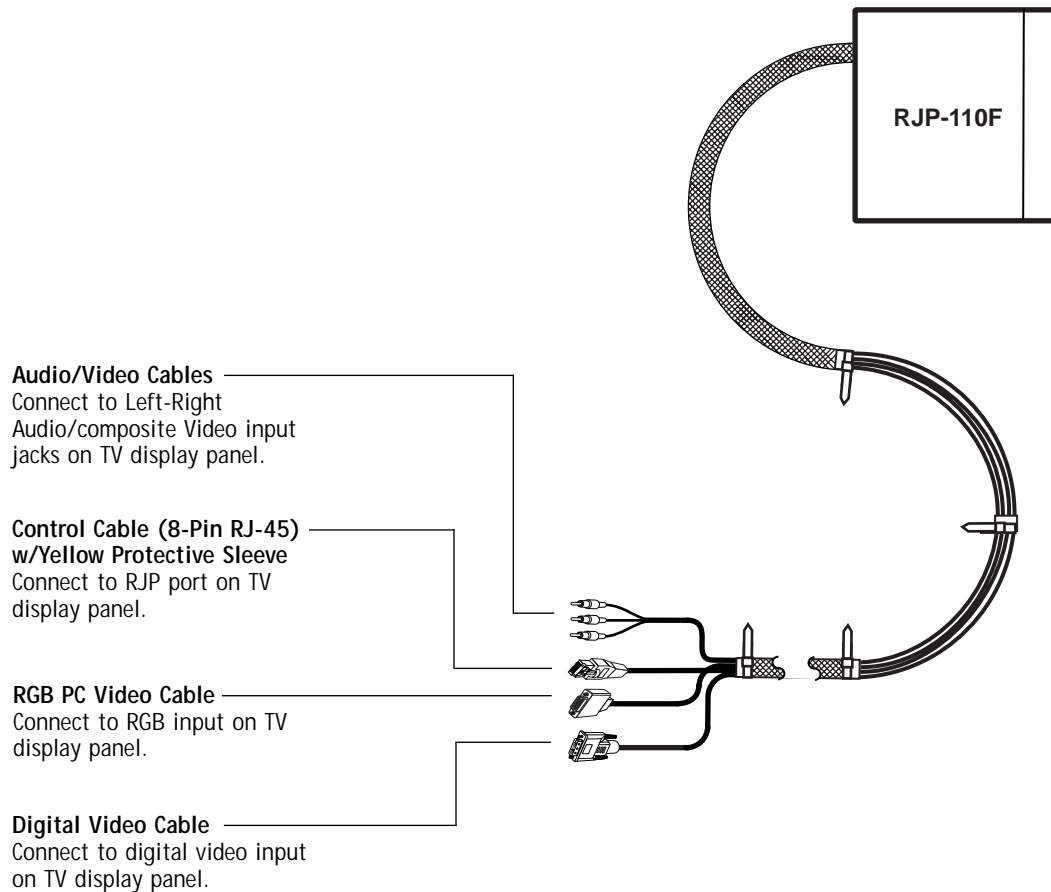
As shown above, install on a desk or cabinet located in a convenient location where connections can be made to the TV display panel. The end user should have easy access to the RJP and AC power outlets should be readily available.

Note: The actual appearance of the desk/cabinet etc., may be different than shown in this drawing.

Installer Connections



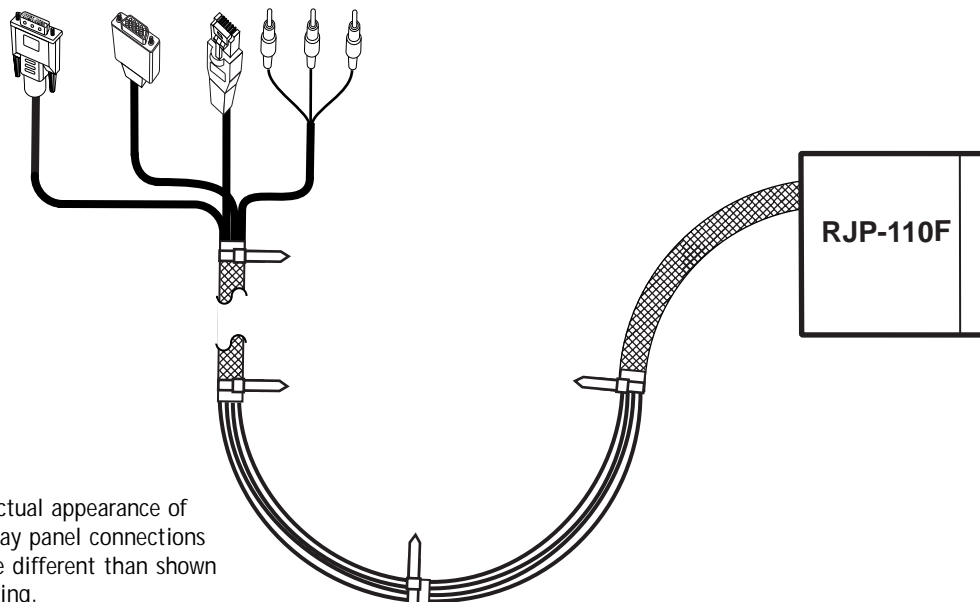
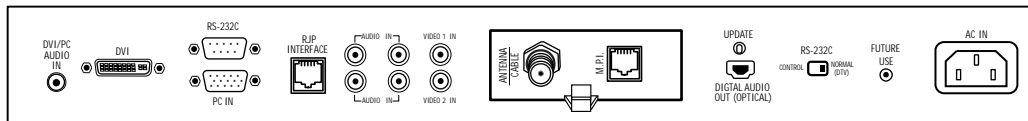
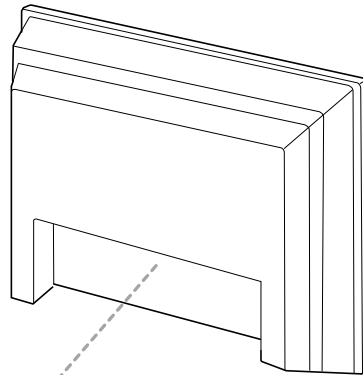
CAUTION: Be sure the TV display panel power is turned off before attempting to connect the RJP cables to the TV display panel.



Note: Cable bundle is approximately 11 feet in length.

Connections to TV Display Panel

After completing connections between the RJP, the TV display panel and other resources (if available), be sure the installer menu items have been updated to enable the RJP. Installer Menu item 040 Auto Camport needs to be set to 000 and 093 RJP Available needs to be set to 001. (See TV installation guide. The master TV setup can be modified to include RJP settings for multiple system installations.)

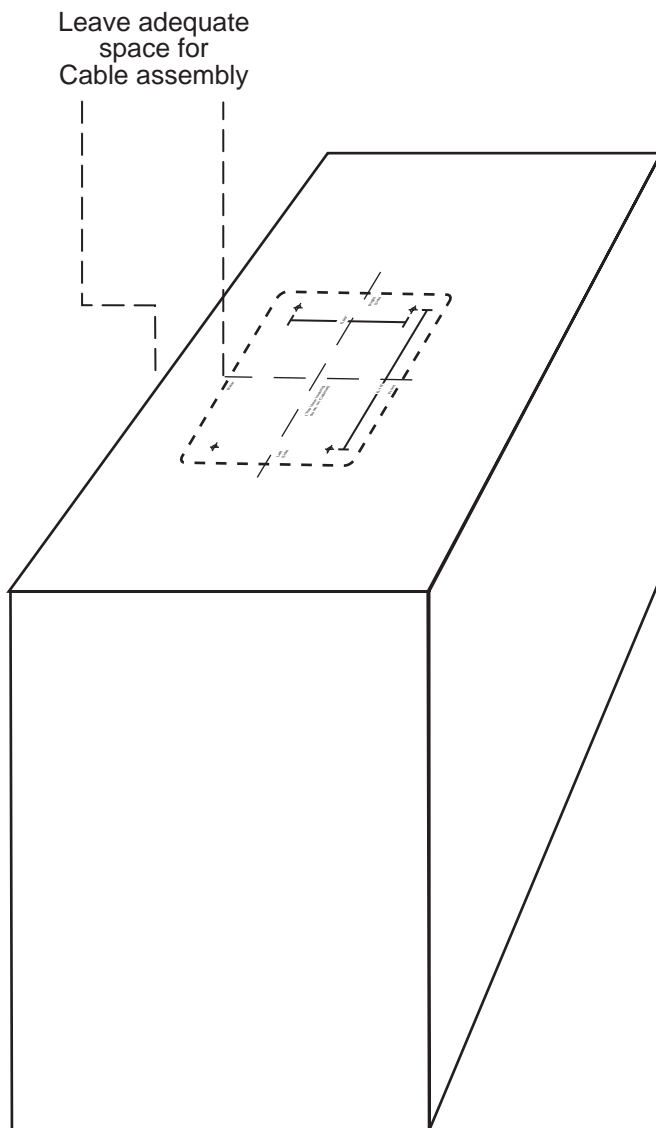


Note: The actual appearance of the TV display panel connections etc., may be different than shown in this drawing.

RJP-110F Remote Jack Pack Hole Drilling Template

Detach the hole drilling template from the manual by bending up the staples ends in the center of the manual and removing this sheet. Bend the staples down again to secure the manual pages.

See the other side of this page for installation details.



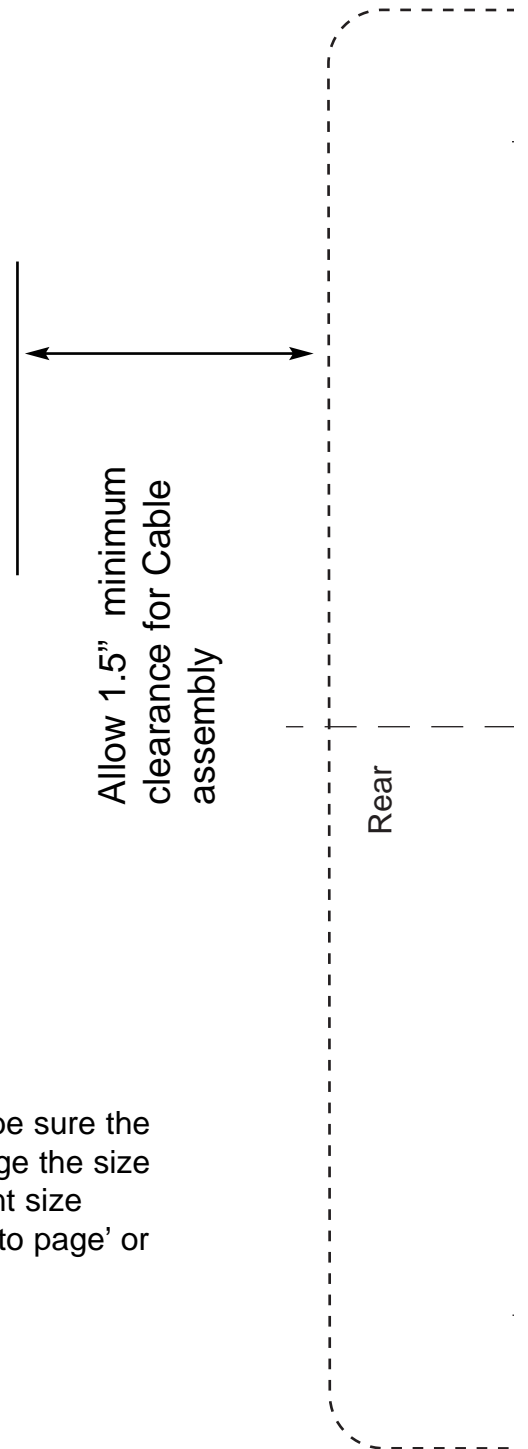
Template Positioning

Position the template on the desk top. Be sure to leave an adequate amount of clearance for the cable assembly attached to the backside of the cabinet, based on the installation requirements/limitations.

Drill Hole Template A

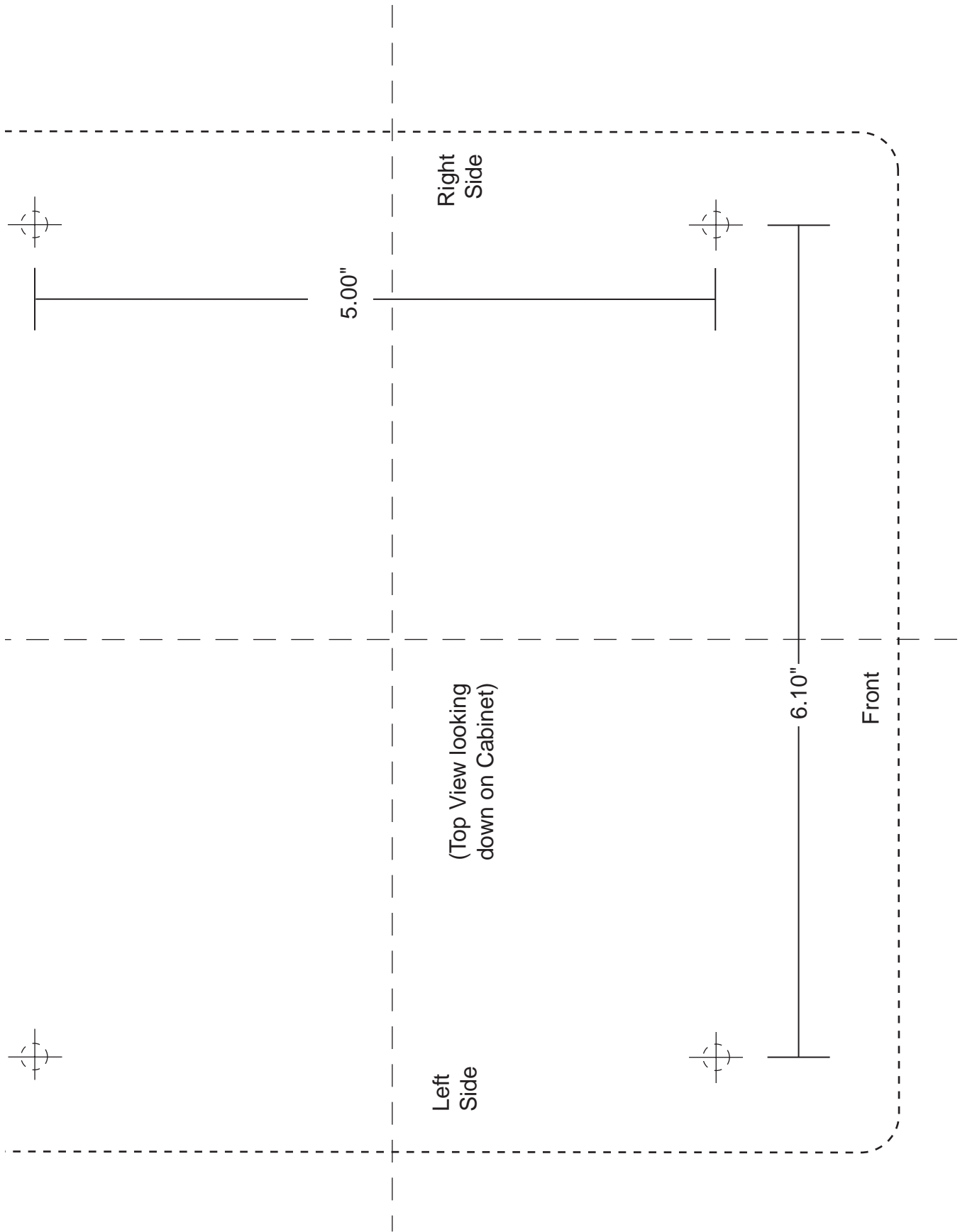
RJP-110F Remote Jack Pack Hole Drilling Template

for Cabinet or Desk Top Surfaces



Template Size

Before drilling the holes, measure the template to be sure the holes are the sizes stated. Some printers will change the size of the page because of their default setup. The print size selected should be 100% or same size and not 'fit to page' or 'expand to fit' page etc...



Drill Hole Template c

RJP-110F Remote Jack Pack

Desk Top Hole Drilling / Mounting Instructions

Hole Drilling Tools Required

- Drill Bit 1/4"
- Drill
- Phillips-Head #2 Screw Driver
- Center Punch
- Masking Tape
- Lightweight Hammer

Parts List

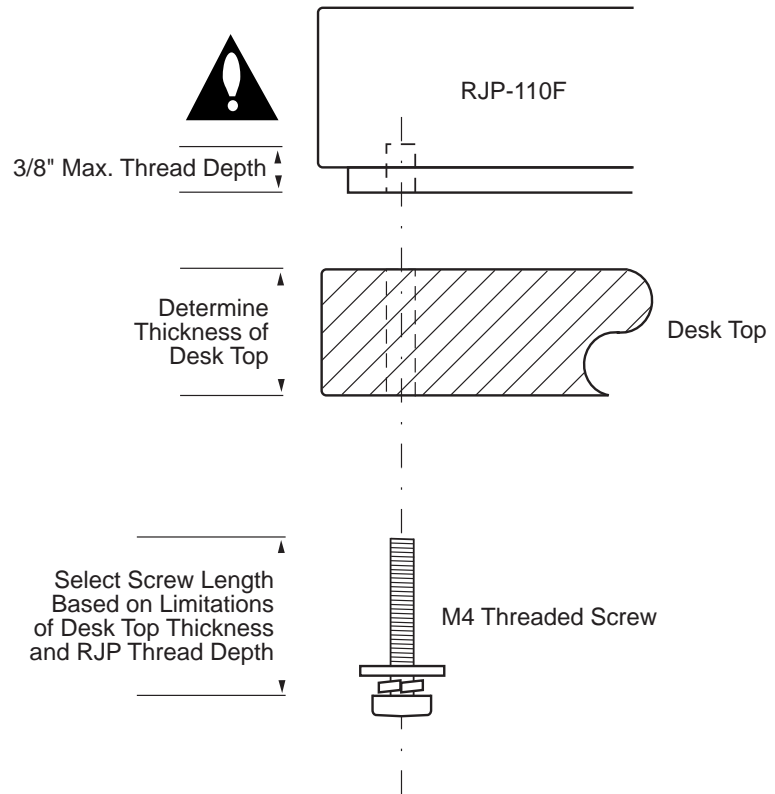
- Drilling Template
- 5-Phillips-Head M4 x 30mm Threaded Screws (with lock and flat washers) use for 3/4" thick desktop only. (4-Required)

Caution: Screw Length

Note: Length of the screws provided (M4 x 30mm) is limited to usage for a desk top thickness of 3/4 inches. For other desk top thicknesses, determine screw length allowing for the 3/8" maximum thread depth of the RJP screw holes.

Drilling Setup and Procedure

1. Position hole drilling template on cabinet surface or desk top.
2. Tape the template into position using the masking tape.
3. Using the light-weight hammer and center punch, make four hole drilling indents into the mounting surface and remove the template.
Note: Be sure the hole drilling indents are sufficiently deep enough to center and guide the drill bit. Or, use a smaller size drill bit just to start the hole recess.
4. Drill the four holes using the 1/4" drill bit.

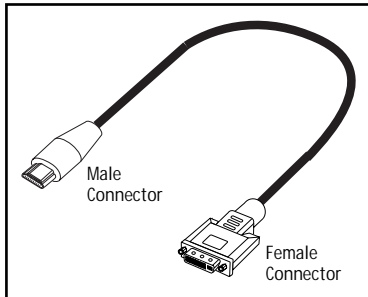


5. Clean up and remove any residue from drilling the holes.
6. Install the RJP on the desk top using the threaded screws and lock washers provided*.
7. Tighten all screws securely.
8. Make all connections from the RJP, to the TV display panel and any other in-room resources etc.
9. Test RJP operation.

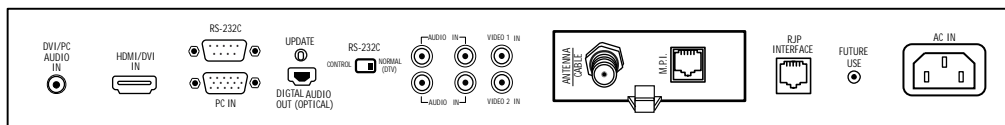
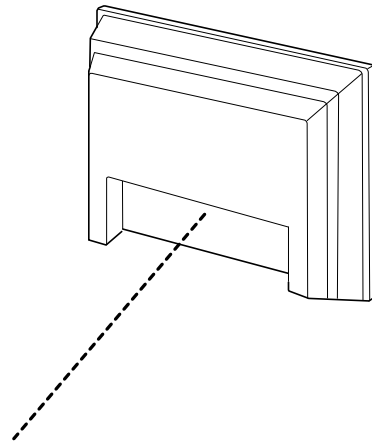
* The maximum depth the M4 screws can be threaded into the RJP bosses is 3/8". Use spacers if necessary to compensate for excessive screw length. Maximum screw length is 3/8" plus depth of cabinet or desk top.

D Drill Hole Template

Accessory Cable: DVI to HDMI Adapter Cable Strain Relief

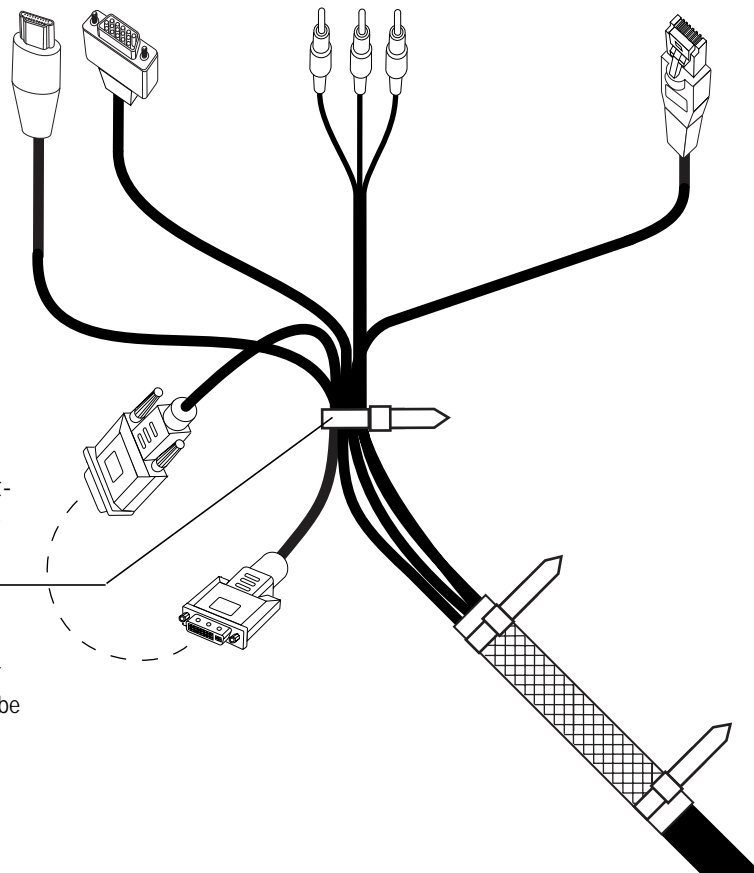


Special Connections
Note: Optional DVI to HDMI Adapter Cable
 For TVs equipped with HDMI, this adapter cable will be required to connect the RJP for digital video/audio.



Strain Relief for Accessory HDMI Cable

The weight of the DVI adapter connection/cable bundle may put a strain on the HDMI connection, causing it to become disconnected from the TV. Relieve the weight by attaching a cable tie in the position shown.



Note: The actual appearance of the TV connections panel may be different than shown in this drawing.

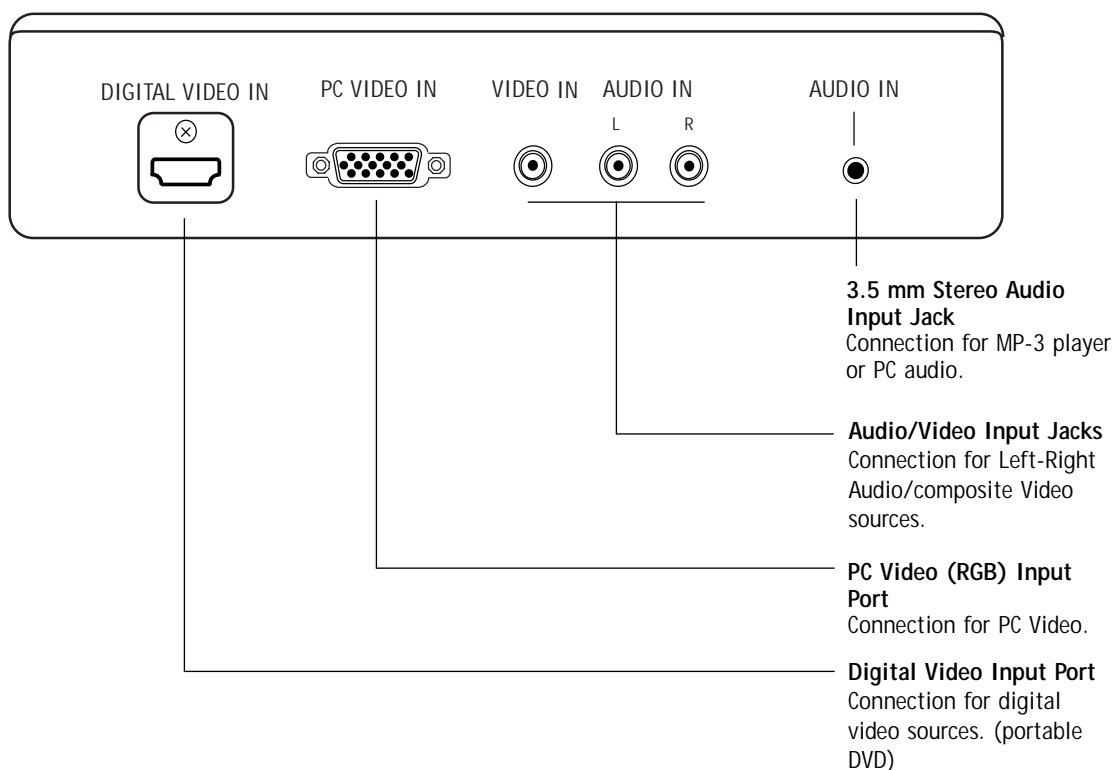
End-User Multi-Media Interface Connections

The end-user simply plugs a device such as a laptop computer with the appropriate cables into the RJP connection panel. The Remote Jack Pack senses the new source connection and switches the TV to the newly-connected source. The device's sound and image are then presented on the in-room TV display panel. The TV display panel adjusts automatically to the computer output format. When the laptop is disconnected, the interface directs the TV to revert back to the previous source for video and audio.

The end-user has several audio/video connection options available for connecting external devices. The guest/user can connect a portable DVD Player, CD Player, Camcorder, MP-3 Player, Notebook Computer, Portable Video Game Player, etc.

An end-user could connect and hear audio from one device and connect and view video from a different device. The RJP offers two different stereo audio input jacks to accommodate various end-user devices. However, only the higher priority audio source will be selected and heard. Similarly, multiple video inputs are available, but only the higher priority video source will be selected and displayed.

(Note: Audio In, Audio In L-R and Video In inputs detect the presence of an inserted plug, regardless if a signal is present or not.)

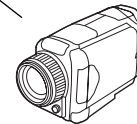
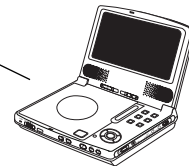
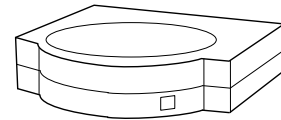
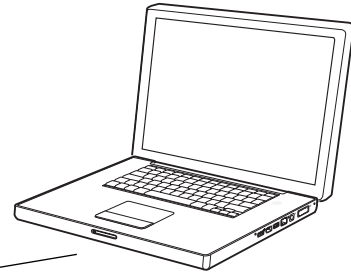


End-User Connectable External Source Devices

Examples of devices a guest/end-user can connect are shown to the right.

The End-User Can Connect:

- PC Laptop/Notebook Computers
- Portable Video Game Players
- Portable DVD/CD Players
- Camcorders
- Digital Cameras
- MP-3 Audio Players



End-User Audio/Video Input Priorities

Note: The highest priority is listed first.

Audio Inputs/Sources

- 1st. 3.5 mm Stereo Audio Jack
- 2nd. Left - Right Audio Jacks
- 3rd. Digital Video Audio
- 4th. TV Display Panel Tuner Audio (Audio Default)

Video Inputs

- 1st. Digital Video
- 2nd. PC Video
- 3rd. Video Composite Jack
- 4th. TV Display Panel Tuner Video (Video Default)

Specifications

Application

Makes available to the hotel's guests, a multi-media interface to the in-room TV display panel and in-room audio source (if available). Input jacks are provided for external portable devices such as DVD/CD Players, Laptop Computers, Camcorders, etc.

Dimensions

Height	2.0 Inches	(5.1 cm)
Width	7-7/16 Inches	(18.8 cm)
Depth	7-7/16 Inches	(18.8 cm)
Weight (Approx.)	3.75 Pounds	(1.700972 kgrms)

End-User Device Inputs

Audio In	3.5 mm Stereo Audio Jack
Audio In L-R	Left - Right Audio Jacks (Nom In: 250mV RMS @ 22K ohms) Overload In: 1.6V RMS Max
Video In	Composite Video Jack 1 Vpp, 75 ohms
PC Video In	15-pin RGB PC Monitor Connector
Digital Video In	Digital Video Connector

Regulatory

FCC	Class B, Digital Video Device
-----	-------------------------------

Environmental Parameters

Operating Temperature	0° to 40° Degrees Celsius (32° to 104° Degrees Fahrenheit)
Storage Temperature	-20° to 85° Degrees Celsius (-4° to 185° Degrees Fahrenheit)
Cooling	Free Air Convection
Humidity	10% to 90% Non-condensing

Supplied Accessories List

(Attached Cable Assembly)	Note: All cables within cable bundle are 12 feet in length. <ul style="list-style-type: none">• Digital Video Cable• PC Video RGB Cable• Control Cable (8-Pin RJ-45)• 1-Set Left-Right Audio/Video Cables
(Misc. Hardware)	<ul style="list-style-type: none">• 1 Black Cable Tie (DVI to HDMI Adapter Cable see page 9.)• 5 Phillips-Head Machine Screws (4-M4 x 30mm required for 3/4" desk top)• 5 Serrated Lock Washers (4-Required)
(Separate Cable)	<ul style="list-style-type: none">• DVI (F) to HDMI (M) Adapter Cable (Optional connection)

Note: Design and specifications subject to change without prior notice.

Troubleshooting

Equipment Setup Analysis Notes

- Make sure all connectors and connections are tight and secure on user device, RJP-110F and TV.
- Check to assure user device, RJP-110F and TV are all powered up and working properly and that the TV Installer menu items are set correctly.
- Audio and Video can be from different sources. Default is TV tuner Audio and Video, if no other audio/video source is connected.
- Audio source must be viable. The audio output from the customer's device must be present when connected to be heard at the TV.

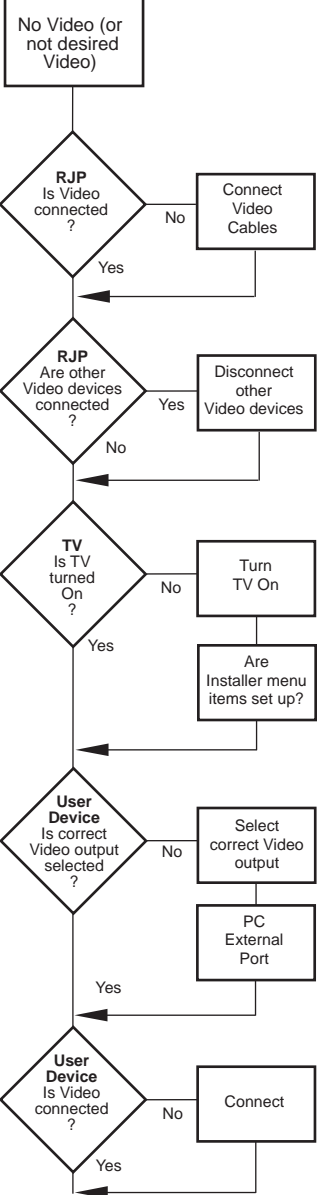
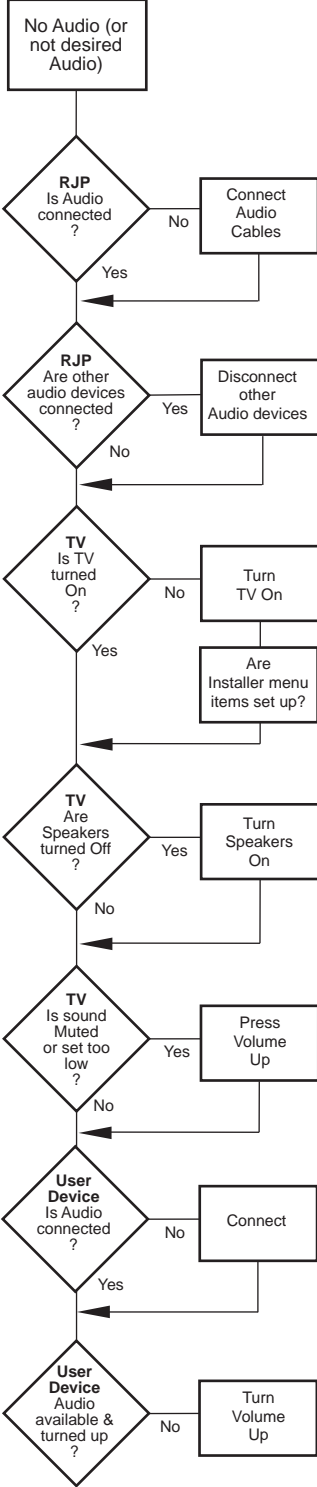
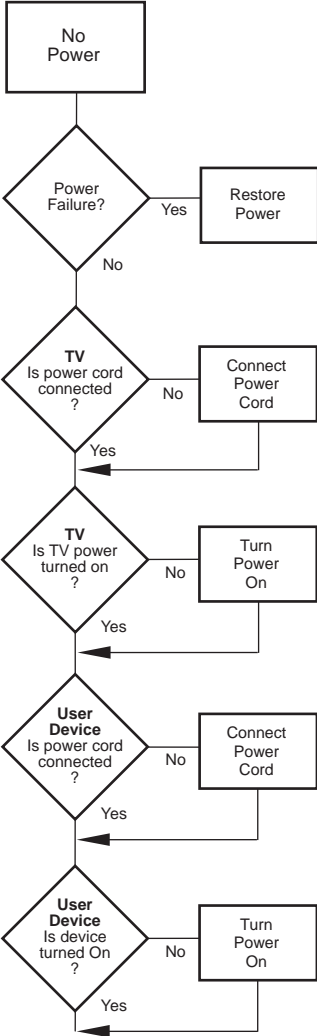
Test Procedures

- Test and connect only one user device to determine if RJP is providing audio/video to TV.
- Test user device on another RJP (perhaps located in a different room) to determine if user device is compatible with RJP.
- On LCD or Plasma TV, Installer menu items:
 - 040 Auto Campport needs to be disabled by setting it to 000.
 - 093 RJP Available needs to be set to 001 to enable RJP mode.

Following are some possible solutions to problems:

Problem	Possible Cause(s) Check RJP, User Device and In-Room TV
No Power	<ul style="list-style-type: none">• Power not connected?
No Audio	<ul style="list-style-type: none">• Have all audio connections been made?• Audio output available?• Volume level turned up?• Sound muted?• TV setup correct for RJP? (Installer menu item 040 must be set to 000 and item 093 set to 001.)• Try another RJP.• Priority level? (Disconnect other devices.)• Connections made after 040 and 093 menu items set. (Make connections before adjusting menu items 040 and 093.)
No Video	<ul style="list-style-type: none">• Video output available?• All video cables connected?• TV setup correct for RJP? (Installer menu item 040 must be set to 000 and item 093 set to 001.)• Priority level? (Disconnect other devices.)
Poor Video	<ul style="list-style-type: none">• Check connections. (Video pass-through no user action possible.)

Troubleshooting Flow Charts

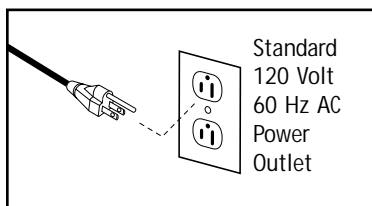
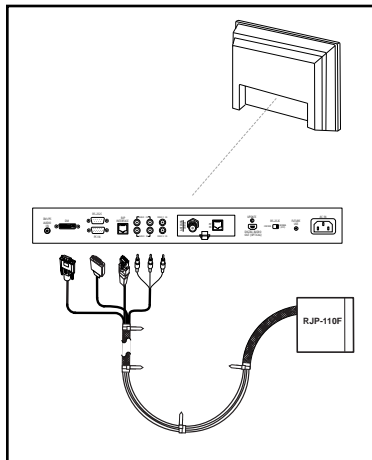
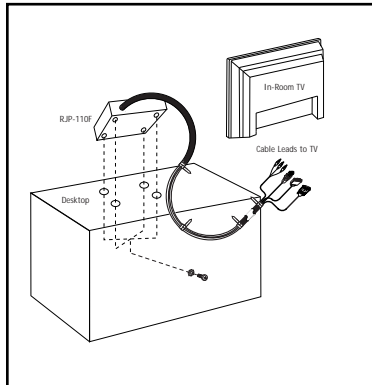


Quick Setup Guide

Installer RJP-110F/RJP-110FW Quick Setup Reference Guide

Following are the tasks associated with installing and setting up an RJP System.

1. Install RJP on cabinet.
2. Make all hard wire connections to RJP, TV and any other in-room resources.
3. Plug all system components into power sources.

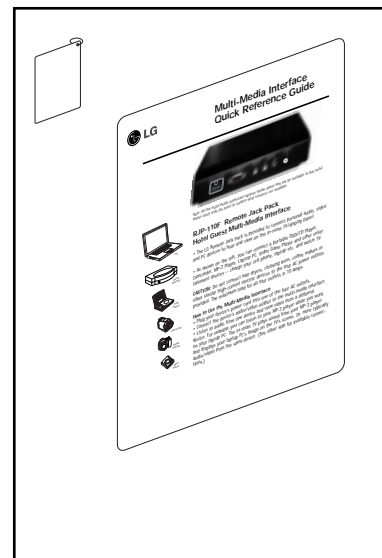
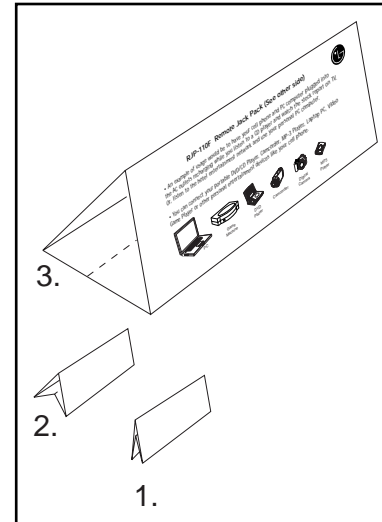
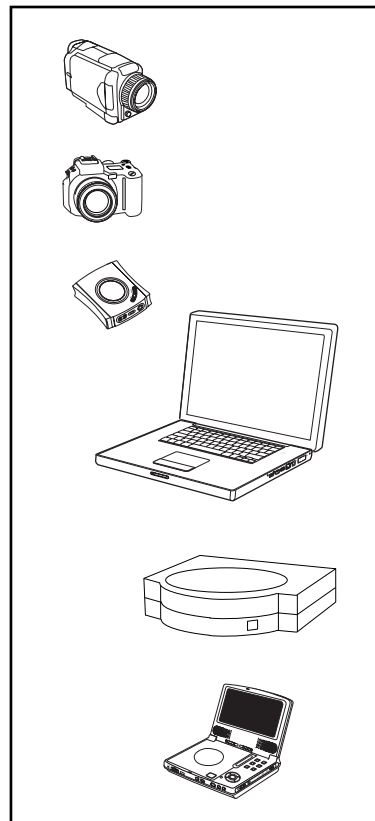


4. Adjust TV installer menu items 040 and 093 to enable RJP capability. (See TV installation guide for complete instructions on new TV installations. The master TV setup can be modified to include RJP settings for multiple system installations.)
5. Test the system with user-type devices to assure TV sound/picture are as desired.

- (Are AC outlets conveniently located to power end user devices?)
6. Provide user information in room. (As applicable to your entertainment system.)
 - RJP-110F Series Tent Card.
 - (Or comparable equivalent from Lodge)
 - RJP-110F Series Quick Reference Guide.
 - (Or comparable equivalent from Lodge)

Typical TV Display Panel Installer Menu

Item	Description	Set
040	Auto Campport	000
093	RJP Available	001



RJP-110F Series Warranty

Remote Jack Pack Welcome to the LG family! We believe that you will be pleased with your new LG product. Please read this warranty carefully, it is a "LIMITED WARRANTY" as defined under Federal Law. This warranty gives you specific legal rights, and you may also have other rights that vary from state-to-state within the U.S.A.

LG'S RESPONSIBILITY

- Service Labor** During a period of one year from effective warranty date, LG will replace a defective unit, as determined by the LG service center, as a result of manufacturing defects.
- Replacement** New or remanufactured replacements for factory-defective units will be supplied by an LG authorized service center for one year from effective warranty date. Such replacement unit is warranted for the remaining portion of the original warranty period.
- Warranty Service** Warranty service is available.
Call **1-888-865-3026** for further information.
- Not Covered** This warranty covers manufacturing defects and does not cover installation, adjustment of customer controls, installation or repair of antenna systems, cable converters or cable company-supplied equipment; it also does not cover damage due to misuse, abuse, negligence, acts of God or other causes beyond the control of LG. Any alteration of the product after manufacture voids this warranty in its entirety.
THIS WARRANTY IS IN LIEU OF ANY OTHER WARRANTY, EXPRESS OR IMPLIED, INCLUDING WITHOUT LIMITATION, ANY WARRANTY OF MERCHANTABILITY OR FITNESS FOR A PARTICULAR PURPOSE, AND LG SHALL NOT BE LIABLE FOR ANY CONSEQUENTIAL, INDIRECT, OR INCIDENTAL DAMAGES OF ANY KIND, INCLUDING LOST REVENUES OR PROFITS IN CONNECTION WITH THIS PRODUCT. SOME STATES DO NOT ALLOW LIMITATIONS ON HOW LONG AN IMPLIED WARRANTY LASTS OR THE EXCLUSION OR LIMITATION OF INCIDENTAL OR CONSEQUENTIAL DAMAGES, SO THE ABOVE LIMITATIONS OR EXCLUSIONS MAY NOT APPLY TO YOU.

OWNER'S RESPONSIBILITY

- Effective Warranty Date** Warranty begins on the date of installation of the RJP-110F Series Multi-Media Interface.
For your convenience, keep the dealer's dated bill of sale or delivery ticket as evidence of the purchase date.
- Installation Guide** Read the Installation and Setup Guide carefully so that you will understand the functions of the RJP and how to make adjustments.
- Antenna** Reception problems caused by inadequate antenna or faulty antenna connections are the owner's responsibility.
- Audio Output** Audio problems caused by inadequate audio devices or audio material with sound level lapses are not within the control of LG and therefore are the owner's responsibility.
- Warranty Service** **For warranty service information, call 1-888-865-3026.**
- A replacement unit that is LG's responsibility (see above) will be provided without charge. Other service is at the owner's expense.
- If you have any problem in obtaining satisfactory warranty service, call **1-888-865-3026**.
- You must provide the model number, serial number and date of purchase or date of original installation.
- Before you ask for warranty service, reread this guide. You might avoid a service call.

For Customer Support/Service please call: **1-888-865-3026**

www.lgcommercial.com

Free Manuals Download Website

<http://myh66.com>

<http://usermanuals.us>

<http://www.somanuals.com>

<http://www.4manuals.cc>

<http://www.manual-lib.com>

<http://www.404manual.com>

<http://www.luxmanual.com>

<http://aubethermostatmanual.com>

Golf course search by state

<http://golfingnear.com>

Email search by domain

<http://emailbydomain.com>

Auto manuals search

<http://auto.somanuals.com>

TV manuals search

<http://tv.somanuals.com>