



ENGLISH

ESPAÑOL

# INSTALLATION MANUAL GAS DOUBLE OVEN RANGE

Please read this guide thoroughly before installation.

LDG3017ST  
LDG3016ST  
LDG3015ST/SB/SW  
LDG3011ST

LDG3037ST  
LDG3036ST  
LDG3035ST/SB/SW  
LDG3031ST



MFL62177703

[www.lge.com](http://www.lge.com)

# INSTALLATION INSTRUCTIONS

## READ ALL INSTRUCTIONS BEFORE INSTALLATION

### INSTALLATION SAFETY INSTRUCTIONS

#### BEFORE YOU BEGIN

##### Read these instructions completely and carefully.

Installation of this range must conform with local codes, or in the absence of local codes, with the National Fuel Gas Code, ANSI Z223.1/NFPA.54, latest edition. In Canada, installation must conform with the current Natural Gas Installation Code, CAN/CGAB149.1 or the current Propane Installation Code, CAN/CGA-B149.2, and with local codes where applicable. This range has been design-certified by CSA International according to ANSI Z21.1, latest edition and Canadian Gas Association according to CAN/CGA-1.1 latest edition.

As with any appliance using gas and generating heat, there are certain safety precautions you should follow. You will find these precautions in the Important Safety Information section in your User's Guide. Read them carefully.

- **IMPORTANT** – Save these instructions for local electrical inspector's use.
- **IMPORTANT** – Observe all governing codes and ordinances.

**Note to Installer:** Leave these instructions with the appliance after installation is completed.

**Note to Consumer:** Keep the User's Guide and Installation Instructions for future reference.

**NOTE: This appliance must be properly grounded.**

- The electrical diagram is in an envelop attached to the back of the range.
- Skill level – Installation of this appliance requires basic mechanical skills.
- Proper installation is the responsibility of the installer.
- Product failure due to improper installation is not covered under the Warranty.
- Remove all tape and packaging.
- Make sure the burners are properly seated and level.
- Take the accessory pack out of the oven and/or drawer.
- Check to be sure that no range parts have come loose during shipping.

# INSTALLATION INSTRUCTIONS

## READ ALL INSTRUCTIONS BEFORE INSTALLATION

### INSTALLATION SAFETY INSTRUCTIONS (continued)

#### BEFORE YOU BEGIN

Remove all tape and packing materials before using the range. Dispose of all plastic bags after unpacking the range. Never allow children to play with packing materials.

#### IMPORTANT SAFETY INSTRUCTIONS

Read these instructions completely and carefully. Improper installation, adjustment, alteration, service or maintenance can cause injury or property damage. Refer to this manual. For assistance or additional information, consult a qualified installer, service agency, manufacturer (dealer) or the gas supplier.



This is the safety alert symbol. This symbol alerts you to potential hazards that can kill or hurt you and others. All safety messages will follow the safety alert symbol and either the word "WARNING" or "CAUTION".



#### **WARNING**

This symbol will alert you to hazards or unsafe practices which could cause serious bodily harm or death.



#### **CAUTION**

This symbol will alert you to hazards or unsafe practices which could cause bodily injury or property damage.



**WARNING:** If the information in this manual is not followed exactly, a fire or explosion may result causing property damage, personal injury or death.

- **DO NOT** store or use combustible materials, gasoline or other flammable vapors and liquids in the vicinity of this or any other appliance.

#### **WHAT TO DO IF YOU SMELL GAS**

- **DO NOT** try to light any appliance.
- **DO NOT** touch any electrical switch.
- **DO NOT** use any phone in your building.
- Immediately call your gas supplier from a neighbor's phone. Follow the gas supplier's instructions.
- If you cannot reach your gas supplier, call the fire department.

Installation and service must be performed by a qualified installer, service agency or the gas supplier.

# INSTALLATION INSTRUCTIONS

## READ ALL INSTRUCTIONS BEFORE INSTALLATION

### INSTALLATION SAFETY INSTRUCTIONS (continued)

#### **WARNING!**



- **ALL RANGES CAN TIP**
- **INJURY TO PERSONS COULD RESULT**
- **INSTALL ANTI-TIP DEVICES PACKED WITH RANGE**
- **SEE INSTALLATION INSTRUCTIONS**

- **DO NOT step or sit on the door. Install the Anti-Tip Bracket packed with range.**
- The range could be tipped and injury might result from spilled hot liquid, food, or the range itself.

- If the range is pulled away from the wall for cleaning, service, or any other reason, ensure that the Anti-Tip Device is properly reengaged when the range is pushed back against the wall.

All ranges can tip and injury could result. To prevent accidental tipping of the range, attach an approved Anti-Tip device to the wall. (See "INSTALLING THE ANTI-TIP DEVICE" in this manual.) To check if the device is installed and engaged properly, carefully tip the range forward. The Anti-Tip device should engage and prevent the range from tipping over.

If you pull the range out from the wall for any reason, make sure the Anti-Tip device is engaged when you push the range back against the wall.

#### **WARNING!**

- **NEVER** reuse old flexible connectors. The use of old flexible connectors can cause gas leaks and personal injury. Always use **NEW** flexible connectors when installing a gas appliance.
- Your range must be installed by a qualified installer.
- Your range should be electrically grounded in accordance with local codes or, in the absence of local codes, in accordance with the National Electrical Code (ANSI/NFPA 70, latest edition). In Canada, electrical grounding must comply with the current CSA C22.1 Canadian Electrical Code Part 1 and/or local codes. See "ELECTRICAL CONNECTIONS" in this manual.
- Before installing your range on linoleum or any other synthetic floor covering, make sure the floor covering can resist 180°F(82°C) without shrinking, warping or discoloring. Do not install the range over carpeting unless a sheet of 1/4" thick plywood or similar insulator is placed between the range and carpeting.
- Make sure the wall coverings around the range can resist heat generated by the range up to 200°F (93°C).
- Leak testing of the appliance shall be conducted according to the manufacturer's instructions.

• Avoid placing cabinets above the range. To minimize the hazard caused by reaching over the open flames of operating burners, install a ventilation hood over the range that projects forward at least 5" beyond the front of the cabinets.

• The ventilation hood must be constructed of sheet metal not less than 0.0122" thick. Install above the cooktop with a clearance of not less than 1/4" between the hood and the underside of the combustible material or metal cabinet. The hood must be at least as wide as the appliance and centered over the appliance. Clearance between the cooking surface and the ventilation hood surface **MUST NEVER BE LESS THAN 24 INCHES.**

**EXCEPTION:** Installation of a listed microwave oven or cooking appliance over the cooktop shall conform to the installation instructions packed with that appliance.

• If cabinets are placed above the range, allow a minimum clearance of 30" between the cooking surface and the bottom of unprotected cabinets. desprotegidos.

# INSTALLATION INSTRUCTIONS

ENGLISH

## READ ALL INSTRUCTIONS BEFORE INSTALLATION

### INSTALLATION SAFETY INSTRUCTIONS (continued)

#### **⚠ WARNING!**

- If a 30" clearance between cooking surface and overhead combustible material or metal cabinets cannot be maintained, protect the underside of the cabinets above the cooktop with not less than 1/4" insulating millboard covered with sheet metal not less than 0.0122" thick. Clearance between the cooking surface and protected cabinets **MUST NEVER BE LESS THAN 24 INCHES.**
- The vertical distance from the plane of the cooking surface to the bottom of adjacent overhead cabinets extending closer than 1" to the plane of the range sides must not be less than 18". (See the *Dimensions and Clearances* illustration in this manual.)

#### **⚠ CAUTION**

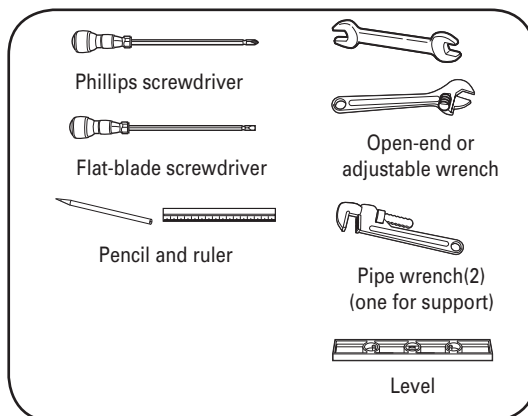
- Items of interest to children should not be stored in cabinets above a range or on the backsplash of a range—children climbing on the range to reach items could be seriously injured.
- **DO NOT** attempt to operate the oven of this range during a power failure.

### IN THE COMMONWEALTH OF MASSACHUSETTS

- This product must be installed by a licensed plumber or gas fitter.
- When using ball type gas shut-off valves, they shall be the T-handle type.
- When using a flexible gas connector, it must not exceed 3 feet in length.

### PREPARING FOR INSTALLATION

#### TOOLS YOU WILL NEED



#### MATERIALS YOU MAY NEED

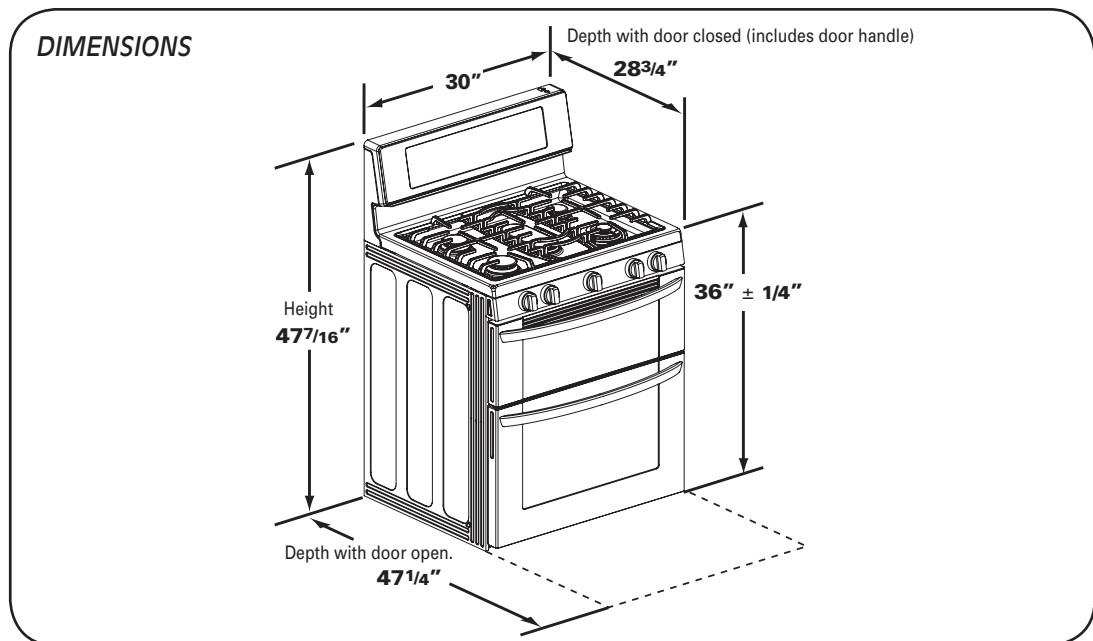
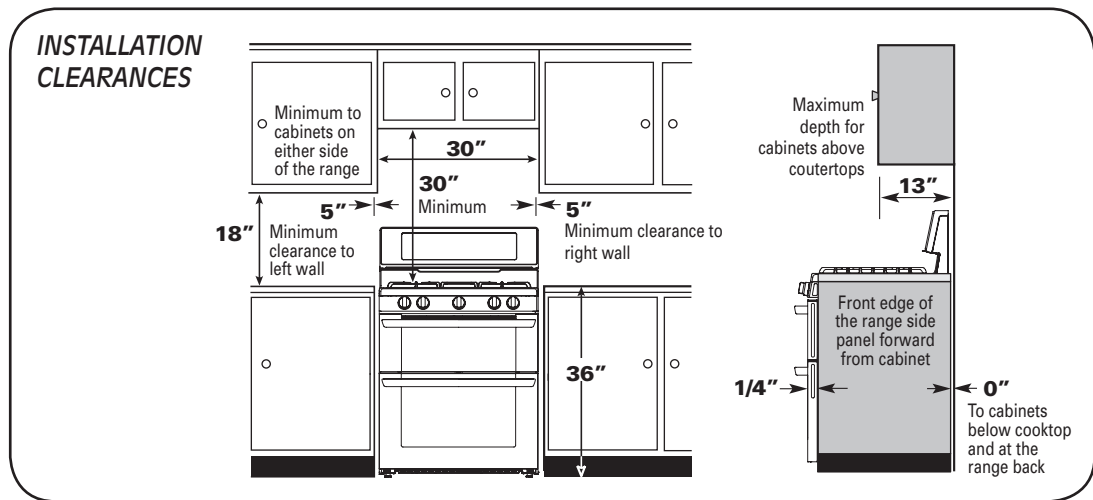
- Gas line shut-off valve
- Pipe joint sealant that resists action of natural and LP gases.
- Flexible metal appliance connector (3/4" or 1/2" NPT x 1/2" I.D.)  
Never use an old connector when installing a new range.
- Flare union adapter for connection to gas supply line (3/4" or 1/2" NPT x 1/2" I.D.)
- Flare union adapter for connection to pressure regulator on range (1/2" NPT x 1/2" I.D.)
- Liquid leak detector or soapy water.
- Lag bolt or 1/2" O.D. sleeve anchor (for concrete floors only).

# INSTALLATION INSTRUCTIONS

## DIMENSIONS AND CLEARANCES

Provide proper clearances between the range and adjacent combustible surfaces. These dimensions must be met for safe use of your range. The location of the electrical outlet and pipe opening (see "GAS PIPE AND ELECTRICAL OUTLET LOCATIONS") may be adjusted to meet specific requirements.

The range may be placed with 0" clearance (flush) at the back wall.



# INSTALLATION INSTRUCTIONS

## LOCATION

**Do not locate your range where it may be subject to strong drafts. Any openings in the floor or wall behind the range should be sealed. Make sure the openings around the base of the range that supply fresh air for combustion and ventilation are not blocked by carpeting or woodwork.**

Your range, like many other household units, is heavy and can be installed on soft floor coverings such as cushioned vinyl or carpeting. Use care when moving the range on this type of flooring.

It is recommended that the following simple and inexpensive instructions be followed to protect your floor.

This appliance must not be installed with a ventilation system that blows air downward toward the range.

This type of ventilation system may cause ignition and combustion problems with the gas cooking appliance resulting in personal injury or unintended operation.

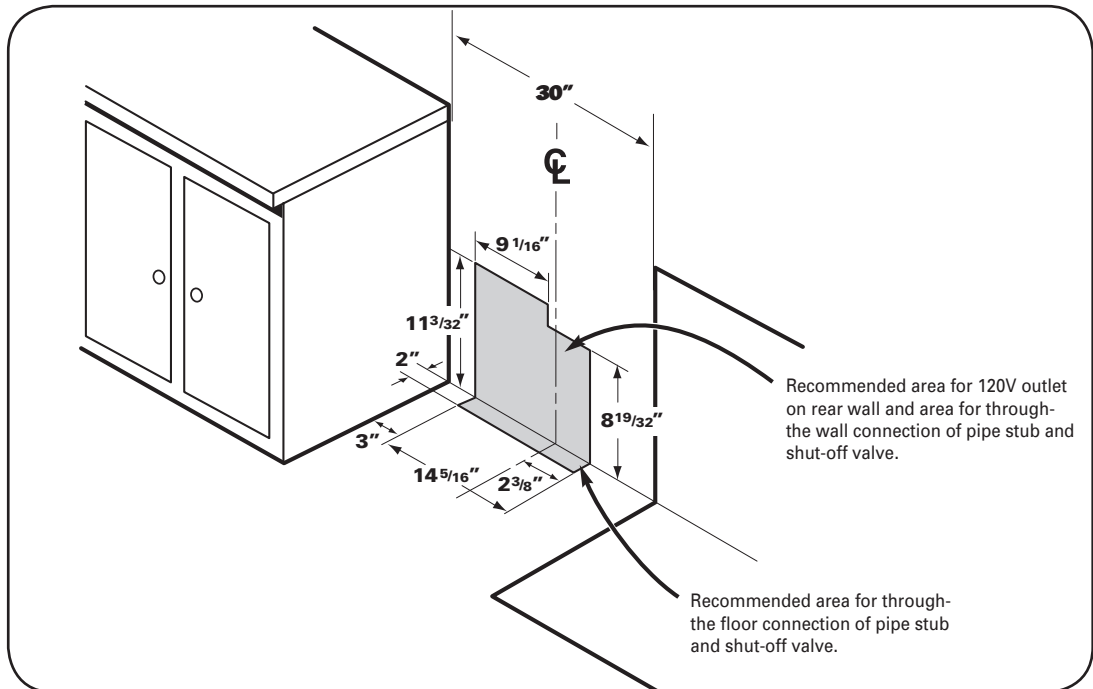
When the floor covering ends at the front of the range, the area that the range will be installed on should be built up with plywood to the same level or higher than the floor covering. This will allow the range to be moved for cleaning and servicing, as well as proper air flow to the range.

Also, make sure the floor covering can resist 180°F (82° C). See the "INSTALLATION SAFETY INSTRUCTIONS" (included in this manual).

Make sure the wall coverings around your range can resist the heat generated (up to 200°F/93°C) by the range. See the "INSTALLATION SAFETY INSTRUCTIONS" (included in this manual).

# INSTALLATION INSTRUCTIONS

## GAS PIPE AND ELECTRICAL OUTLET LOCATIONS



## 1. PROVIDE ADEQUATE GAS SUPPLY

**Your range is designed to operate at a pressure of 5" of water column on natural gas or 10" of water column on LP.**

Make sure you are supplying your range with the type of gas for which it is configured.

This range is convertible for use on natural or LP gas. When using this range on LP gas, conversion must be made by a qualified LP installer before attempting to operate the range.

For proper operation, the pressure of natural gas supplied to the regulator must be between 5" and 13" of water column.

For LP gas, the pressure supplied to the regulator must be between 10" and 13" of water column. When checking for correct operation of the regulator, the inlet pressure must be at least 1" more than the operating (manifold) pressure as given above.

The pressure regulator located at the inlet of the range must remain in the supply line regardless of which type of gas is being used.

A flexible metal appliance connector used to connect the range to the gas supply line should have an I.D. of 5/8" and a max of 5ft. In Canada, flexible connectors must be single wall metal connectors less than 6 feet in length.



# INSTALLATION INSTRUCTIONS

## 2. CONNECT THE RANGE TO GAS

**Shut off the range gas supply valve before removing the old range and leave it off until the new hook-up has been completed.**

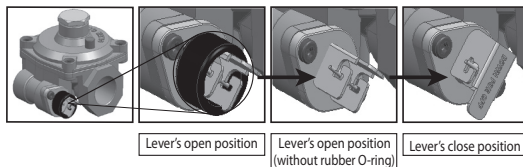
Because hard piping restricts movement of the range, the use of a CSA International-certified flexible metal appliance connector should be used unless local codes require a hard-piped connection.

**NEVER** reuse an old connector when installing a new range.

To protect against gas leaks, use a qualified pipe joint sealant on all external threads.

- A** Install male 1/2" or 3/4" flare union adapter to the NPT internal thread of the manual shut-off valve, taking care to back-up the shut-off valve to keep it from turning.
- B** Install male 1/2" flare union adapter to the 1/2" NPT internal thread at inlet of pressure regulator. Use a backup wrench on the pressure regulator fitting to prevent damage.

In an emergency situation or if you want to shut off the gas supply, remove the packing rubber from the regulator in the backside, and then close the regulator's valve by positioning the lever as shown in the figure.



- C** Connect a flexible metal appliance connector to the adapter on the range. Position range to permit connection at the shut-off valve.

- D** When all connections have been made, be sure all range controls are in the off position and turn on the main gas supply valve. Gas leaks may occur in your system and result in a dangerous situation. Gas leaks may not be detected by smell alone.

Check all gas connection joints and fittings for leaks with a non-corrosive leak detection fluid, then wipe off.

Gas suppliers recommend you purchase and install an UL approved gas detector. Install and use in accordance with Installation instructions.

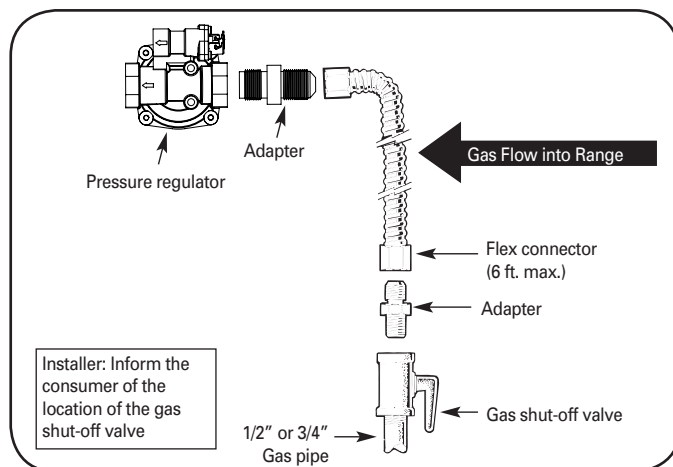
### **WARNING!**

**DO NOT USE A FLAME TO CHECK FOR GAS LEAKS.**

### **WARNING!**

Isolate the range from the gas supply system by closing its individual shut-off valve during any pressure testing of the gas supply system at test pressures equal to or less than 1/2" psig(3.5kPa).

## FLEXIBLE CONNECTOR HOOKUP



# INSTALLATION INSTRUCTIONS

## 3. ELECTRICAL CONNECTIONS

### ELECTRICAL REQUIREMENTS

120 Volt, 60 Hertz, properly grounded dedicated circuit protected by a 15 or 20 Amp circuit breaker, or slow blow fuse.

### GROUNDING

**IMPORTANT: FOR PERSONAL SAFETY, THIS APPLIANCE MUST BE PROPERLY GROUNDED.**

The power cord of this appliance is equipped with a 3-prong (grounding) plug which mates with a standard 3-prong grounding wall receptacle to minimize the possibility of electric shock hazard from this appliance.

The customer should have the wall receptacle and circuit checked by a qualified electrician to make sure the receptacle is properly grounded.

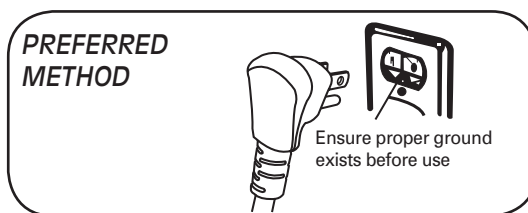
Where a standard two-prong wall receptacle is encountered, it is the personal responsibility and obligation of the customer to have it replaced with a properly grounded three-prong wall receptacle.

**DO NOT, UNDER ANY CIRCUMSTANCES, CUT OR REMOVE THE THIRD (GROUND) PRONG FROM THE POWER CORD.**

A word about GFCI's – GFCI's are not required or recommended for gas range receptacles.

Ground Fault Circuit Interrupters (GFCI's) are devices that sense leakage of current in a circuit and automatically switch off power when a threshold leakage level is detected. These devices must be manually reset by the consumer. The National Electrical Code requires the use of GFCI's in kitchen receptacles installed to serve countertop surfaces.

Performance of the range will not be affected if operated on a GFCI-protected circuit but occasional nuisance can occur.



### **CAUTION:**

The customer should have the circuit checked by a qualified electrician to make sure the receptacle is properly grounded.

**DO NOT** use an adapter plug because disconnecting of the power cord places undue strain on the adapter and leads to eventual failure of the adapter ground terminal.

The installation of appliances designed for mobile home installation must conform with the Manufactured Home Construction and Safety Standard, Title 24 CFR, Part 3280 (formerly the Federal Standard for Mobile Home Construction and Safety, Title 24, HUD, Part 280) or, when such standard is not applicable, the Standard for Manufactured Home Installations, latest edition (Manufactured Home Sites, Communities and Set-Ups), ANSI A225.1, latest edition, or with local codes. In Canada, mobile home installation must be in accordance with the current CAN/CSA Z240/MH Mobile Home Installation Code.

### **WARNING!**

**POWER MUST BE DISCONNECTED BEFORE SERVICING THE APPLIANCE. FAILURE TO DO SO CAN RESULT IN DEATH OR ELECTRICAL SHOCK.**

## 4. SEAL THE OPENINGS

Seal any openings in the wall and floor after electrical and gas supplies are completed.

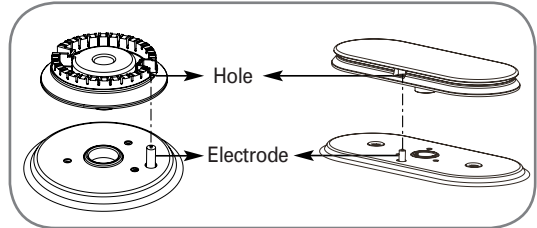
# INSTALLATION INSTRUCTIONS

## 5. ASSEMBLE THE SURFACE BURNERS

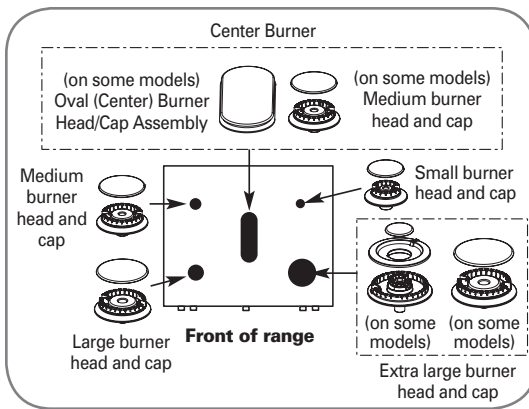
### **CAUTION**

**DO NOT** Operate the burners without all parts in place.

Place the burner caps and heads on the cooktop. Make sure that the caps and heads are placed in the correct locations. There is one small, one medium, one large and one extra large burner head and cap.



Make sure the hole in the burner head is positioned over the electrode.



## 6. CHECK IGNITION OF SURFACE BURNERS

### **ELECTRIC IGNITION**

Select a top burner knob and simultaneously push in and turn to the "LITE" position. You will hear a clicking sound indicating proper operation of the spark module.

Once the air has been purged from the supply lines, burner should ignite within 4 seconds. After burner ignites, rotate knob out of the "LITE" position. Try each burner in succession until all burners have been checked.

### **QUALITY OF FLAMES**

The combustion quality of burner flames needs to be confirmed visually.



**A Yellow flames**—Call for service



**B Yellow tips on outer cones**—  
It is normal for LP gas



**C Soft blue flames**—  
It is normal for natural gas

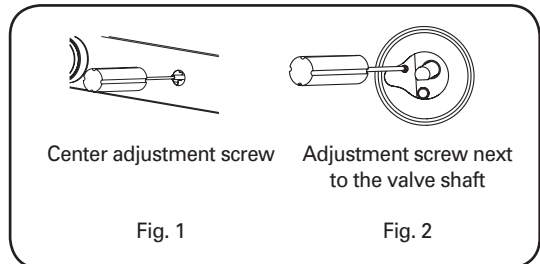
With LP gas, some yellow tipping on outer cones is normal.

# INSTALLATION INSTRUCTIONS

## 7. ADJUST THE SURFACE BURNER TO THE LOW FLAME(SIMMER) SETTING.

- 1) Light all surface burners.
- 2) Turn the knob on the burner being adjusted to "LO".
- 3) Remove knob.
- 4) Insert a small, flat bladed screwdriver into the valve shaft as shown in Fig. 1.  
On right front valve for model LDG3019ST there is a secondary adjustment for the low flame for the outer burners.  
Insert a small, flat blade screwdriver into the hole next to the valve stem to adjust the outer flame as shown in Fig. 2.  
Turn the adjustment screw until the flame reaches the desired size.
- 5) Replace the knob.

Note: Hold the valve shaft with one hand while turning the screw for adjustment with the other.



- 6) Test the flame stability.

**Test 1:** Turn the knob from "HI" to "LO" quickly. If the flame goes out, increase the flame size and test again.

**Test 2:** With the burner on a "LO" setting, open and close the oven door quickly. If the flame is extinguished by the air currents created by the door movement, increase the flame height and test again.

- 7) Repeat steps 1-6 for each surface burner.

# INSTALLATION INSTRUCTIONS

## 8. CHECK OPERATION OF BAKE/BROIL BURNERS

To check ignition of the Bake burner, follow the steps below:

- 1) Remove all packing from inside the oven cavity.
- 2) Press "Bake" (350 will be shown in the display).
- 3) Press Start.

It may take between 30 and 90 seconds for the burner to start heating.

To check ignition of the Broil burner, follow the steps below:

- 1) Press "Broil" ("Hi" will be shown in the display).
- 2) Make sure the door is closed.
- 3) Press Start.

It may take between 30 and 90 seconds for the burner to start heating.

**NOTE: Do not try and light either the bake or broil burners during a power outage. The range has an electrical ignition system and can not be used without power.**

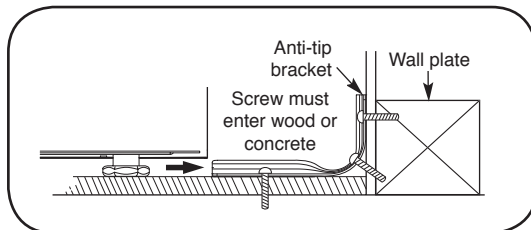
## 9. AIR SHUTTER ADJUSTMENT FOR BAKE AND BROIL BURNERS.

The range comes from the factory with air shutters adjusted for proper air flow for natural gas. If converted to LP, follow the instructions provided in the conversion kit to properly adjust the air shutters. LP conversion must be performed by a qualified technician.

# INSTALLATION INSTRUCTIONS

## 10. INSTALLING THE ANTI-TIP DEVICE

INSTALL THE BRACKET USING THE BRACKET INSTALLATION SHEET

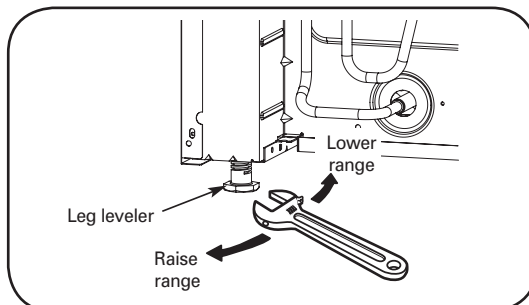
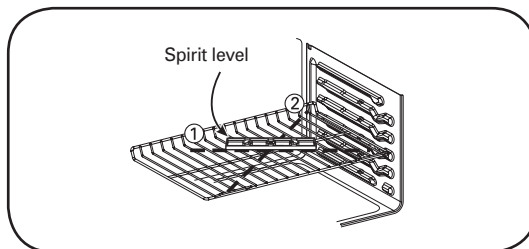


The Anti-tip bracket is packaged with an installation template.  
The instructions include necessary information to complete the installation.  
Read and follow range installation instruction sheet.

### ⚠ WARNING

- Range must be secured with an approved Anti-Tip device.
- The range could be tipped by standing, sitting or leaning on an open door if the range or Anti-Tip device is not properly installed.
- After installing the Anti-Tip device, verify that it is in place by carefully attempting to tilt the range forward.
- This range has been designed to meet all recognized industry tip standards for all normal conditions.
- The installation of the Anti-Tip device must meet all local codes for securing the appliance.
- The use of this device does not preclude tipping of the range when not properly installed.

## 11. LEVELING THE RANGE



- Install the oven shelves in the oven and locate the range where it will be installed.
- Check if the range is level by placing a spirit level or a cup, partially filled with water, on one of the oven shelves. If using a spirit level, take two readings— with the level placed diagonally first in one direction – ① and then the other – ②.
- Remove the lower door. See the “CARE AND CLEANING OF THE RANGE” section in the owner’s manual. The front and rear leveling legs can be adjusted from the bottom.
- Use an open-end or adjustable wrench to adjust the leveling legs until the range is level.

# INSTALLATION INSTRUCTIONS

ENGLISH

## WHEN ALL HOOKUPS ARE COMPLETE

Make sure all controls are left in the off position. Make sure the flow of combustion and ventilation air to the range is unblocked.

## CONVERTING TO LP GAS (OR CONVERTING BACK TO NATURAL GAS FROM LP)

This range leaves the factory set for use with natural gas. The conversion to LP gas must be performed by a qualified LP gas installer when converting to LP gas.

The conversion instructions and LP orifices can be found attached to the range on the back. Keep these instructions and the orifices in case you want to convert back to natural gas.

# Memo

---





**LG**

Life's Good

ESPAÑOL

# MANUAL DE INSTALACIÓN ESTUFA A GAS DE DOBLE HORNO

Por favor lea esta guía completamente antes de la instalación.

LDG3017ST  
LDG3016ST  
LDG3015ST/SB/SW  
LDG3011ST

LDG3037ST  
LDG3036ST  
LDG3035ST/SB/SW  
LDG3031ST

P/No.: MFL62177703

[www.lge.com](http://www.lge.com)

# INSTRUCCIONES DE INSTALACIÓN

## LEA TODAS LAS INSTRUCCIONES ANTES DE LA INSTALACIÓN

### INSTRUCCIONES DE SEGURIDAD DE INSTALACIÓN

#### ANTES DE COMENZAR

##### Lea estas instrucciones con cuidado y completamente.

La instalación de esta estufa debe ser conforme a los códigos locales, o en ausencia los mismos, conforme al Código Nacional de Gas Combustible, ANSI Z223.1/NFPA.54, última edición. En Canadá, la instalación debe ser conforme al Código de Instalaciones de Gas Natural, CAN/CGAB149.1 o conforme al Código de Instalaciones de Gas Propano vigente, CAN/CGA-B149.2, y conforme a los códigos locales correspondientes. Esta estufa está certificada en su diseño por CSA International conforme a ANSI Z21.1, última edición y por la Asociación Canadiense de Gas, conforme a CAN/CGA-1.1 última edición.

Al igual que con cualquier aparato que utiliza gas y genera calor, existen ciertas precauciones de seguridad que debe seguir. Encontrará estas precauciones en la sección de Información importante de seguridad en su Guía del usuario. Lea estas precauciones cuidadosamente.

- **IMPORTANTE** – Guarde estas instrucciones para uso del inspector de electricidad local.
- **IMPORTANTE**– Observe todos los códigos y ordenanzas regulatorias.

Nota para el instalador: Deje estas instrucciones junto al aparato después de terminar la instalación.

Nota para el consumidor: Guarde la Guía del usuario y las Instrucciones de instalación para futura referencia.

NOTA: Este aparato debe conectarse a tierra apropiadamente.

- El diagramado eléctrico se encuentra en un sobre adherido a la parte posterior de la estufa.
- Nivel de habilidades - la instalación de este aparato requiere habilidades mecánicas básicas.
- Una instalación apropiada es responsabilidad del instalador.
- La falla del producto a causa de una instalación inapropiada, no es cubierta por la Garantía.
- Quite toda la cinta y material de empaque.
- Asegúrese que los quemadores estén asentados y nivelados apropiadamente.
- Saque el paquete de accesorios del horno y/o cajón.
- Verifique y asegúrese que no se hayan soltado piezas de la estufa durante el envío.

# INSTRUCCIONES DE INSTALACIÓN

## LEA TODAS LAS INSTRUCCIONES ANTES DE LA INSTALACIÓN

### INSTRUCCIONES DE SEGURIDAD DE INSTALACIÓN (continuación)

ESPAÑOL

#### ANTES DE COMENZAR

Quite toda la cinta y material de empaque antes de usar la estufa. Deseche todas las bolsas de plástico después de desempacar la estufa. Nunca permita que los niños jueguen con materiales de empaque.

#### INSTRUCCIONES DE SEGURIDAD IMPORTANTES

Lea estas instrucciones completamente y cuidadosamente. Una instalación, ajuste, alteración, servicio o mantenimiento inapropiado puede causar lesiones o daños en propiedad. Consulte este manual. Para ayuda o información adicional, consulte a un instalador calificado, agencia de servicio, fabricante (vendedor) o al proveedor del servicio de gas.



Este es el símbolo de alerta de seguridad. Este símbolo le alertará sobre riesgos potenciales que pueden matar o lesionar a usted y a otras personas. Todos los mensajes de seguridad seguirán al símbolo de alerta de seguridad con la palabra "ADVERTENCIA" o "PRECAUCIÓN".



#### ADVERTENCIA

Este símbolo le alertará sobre riesgos o prácticas inseguras que pueden causar lesiones corporales graves o la muerte.



#### PRECAUCIÓN

Este símbolo le alertará sobre riesgos o prácticas inseguras que pueden causar lesiones corporales graves o daños en propiedad.



**ADVERTENCIA:** Si la información en este manual no se sigue al pie de la letra, puede resultar en incendio o explosión causando daños en propiedad, lesiones personales o muerte.

- **NO** almacenar ni usar materiales combustibles, gasolina u otros vapores o líquidos inflamables en la cercanía de este o cualquier otro aparato.

#### QUÉ HACER SI HUELE A GAS

- **NO** intente encender ningún aparato.
- **NO** toque ningún interruptor eléctrico.
- **NO** use ningún teléfono en su edificio.
- Llame inmediatamente a su proveedor de gas desde el teléfono de un vecino. Siga las instrucciones del proveedor de gas.
- Si no puede comunicarse con su proveedor de gas, llame al departamento de bomberos.

La instalación y el servicio deben ser realizados por un instalador calificado, agencia de servicio o proveedor de gas.

# INSTRUCCIONES DE INSTALACIÓN

## LEA TODAS LAS INSTRUCCIONES ANTES DE LA INSTALACIÓN

### INSTRUCCIONES DE SEGURIDAD DE INSTALACIÓN (continuación)

#### ¡ADVERTENCIA!



- **TODAS LAS ESTUFAS PUEDEN VOLCARSE.**
- **PUEDEN RESULTAR EN LESIONES PERSONALES.**
- **INSTALE LOS DISPOSITIVOS ANTI VOLCADURAS INCLUIDOS CON LA ESTUFA**
- **VER INSTRUCCIONES DE INSTALACIÓN.**

- **NO pisar ni sentarse en la puerta. Instale la ménsula anti volcaduras incluida con la estufa.**
- La estufa se puede volcar y causar lesiones por líquido o alimentos calientes derramados o por la propia estufa.

- Si la estufa es separada de la pared para limpiarla, darle servicio o por otra razón, asegúrese que el dispositivo anti volcaduras esté puesto apropiadamente al momento de poner de nuevo la estufa contra la pared.

Todas las estufas se pueden volcar y causar lesiones. Para prevenir una volcadura accidental de la estufa, coloque un dispositivo anti volcaduras autorizado a la pared. (Ver "INSTALACIÓN DEL DISPOSITIVO ANTI VOLCADURAS" en este manual). Para verificar que el dispositivo está instalado y puesto apropiadamente, incline con cuidado la estufa hacia adelante. El dispositivo anti volcaduras debe impedir que la estufa se vuelque. Si separa la estufa de la pared por alguna razón, asegúrese que el dispositivo anti volcaduras esté puesto al empujar la estufa de nuevo contra la pared.

#### ¡ADVERTENCIA!

- **NUNCA** reutilice conectores flexibles viejos. Usar conectores flexibles viejos pueda causar fugas de gas y lesiones personales. Siempre utilice conectores flexibles NUEVOS al instalar un aparato de gas.
- Su estufa debe ser instalada por un instalador calificado.
- Su estufa debe estar conectada a tierra conforme a los códigos locales o, en ausencia de dichos códigos conforme al Código Nacional Eléctrico (ANSI/NFPA 70, última edición). En Canadá, la conexión a tierra debe cumplir con el Código Eléctrico Canadiense CSA C22.1 Parte 1 y/o códigos locales. Ver "CONEXIONES ELÉCTRICAS" en este manual.
- Antes de instalar su estufa sobre linóleo u otro revestimiento sintético de piso, asegúrese que el revestimiento de piso resista 82°C (180°F) sin encogerse, pandearse o decolorarse. No instale la estufa sobre alfombra a menos que coloque una hoja de madera laminada de 1/4" de espesor o aislante similar entre la estufa y la alfombra.
- Asegúrese que los revestimientos de pared alrededor de la estufa sean resistentes al calor generado por la estufa de hasta to 93°C (200°F).
- La prueba de fugas del aparato debe ser realizada conforme a las instrucciones del fabricante.

- Evite colocar gabinetes arriba de la estufa. Para minimizar el riesgo de alcanzar flamas abiertas de los quemadores encendidos, instale una campana de ventilación sobre la estufa que se proyecte al frente al menos 5" más allá del frente de los gabinetes.
- La campana de ventilación debe ser de hoja metálica con un mínimo de 0.0122" de espesor. Instale arriba de la parrilla con un claro mínimo de 1/4" entre la campana y el lado inferior del gabinete metálico o material combustible. La campana debe estar centrada y ser mínimo del mismo ancho que el aparato. El claro entre la superficie para cocinar y la superficie de la campana **NUNCA DEBE SER MENOR DE 24 PULGADAS.**

**EXCEPCIÓN:** La instalación de un horno de microondas o aparato de cocina arriba de la parrilla debe ser conforme a las instrucciones de instalación incluidas en ese aparato.

- En caso de colocar gabinetes arriba de la estufa, deje un claro mínimo de 30" entre la superficie para cocinar y la parte inferior de los gabinetes desprotegidos.

# INSTRUCCIONES DE INSTALACIÓN

## LEA TODAS LAS INSTRUCCIONES ANTES DE LA INSTALACIÓN

### INSTRUCCIONES DE SEGURIDAD DE INSTALACIÓN (continuación)

ESPAÑOL

#### ⚠ ¡ADVERTENCIA!

- En caso de no poder mantener un claro de 30" entre la superficie para cocinar y el gabinete metálico o material combustible arriba, proteja el lado inferior del gabinete de arriba de la campana con una cartulina aislante de 1/4" mínimo cubierta con hoja metálica de 0.0122" de espesor mínimo. El claro entre la superficie para cocinar y los gabinetes protegidos **NUNCA DEBE SER MENOR A 24 PULGADAS.**
- La distancia vertical desde el plano de la superficie para cocinar hasta el lado inferior de los gabinetes adyacentes superiores extendiéndose a menos de 1" hacia el plano de los lados de la estufa no debe ser menor de 18". (Ver la ilustración de Dimensiones y Claros en este manual).

#### ⚠ PRECAUCIÓN

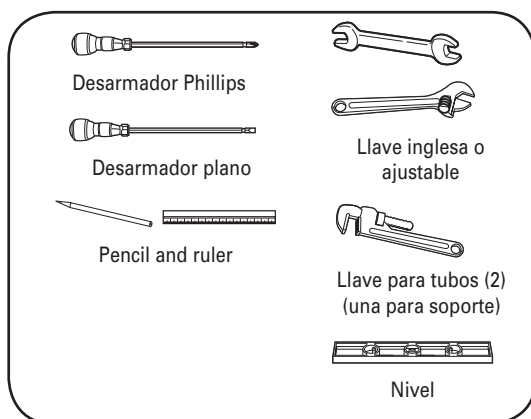
- Los artículos de interés para los niños no deben almacenarse en gabinetes arriba de la estufa ni en la salpicadera de la estufa-los niños que suben a la estufa para alcanzar estos artículos pueden lesionarse gravemente.
- **NO** intente operar el horno de esta estufa durante una falla de energía.

### EN EL ESTADO DE MASSACHUSETTS

- Este producto debe ser instalado por un plomero autorizado o con regulador de gas.
- Al usar válvulas de cierre de gas tipo bola, deben ser de tipo de manivela T.
- Al usar un conector de gas flexible, no debe exceder 3 pies de longitud.

### PREPARACIÓN PARA LA INSTALACIÓN

#### HERRAMIENTAS QUE VA A NECESITAR



#### MATERIALES QUE PUEDE NECESITAR

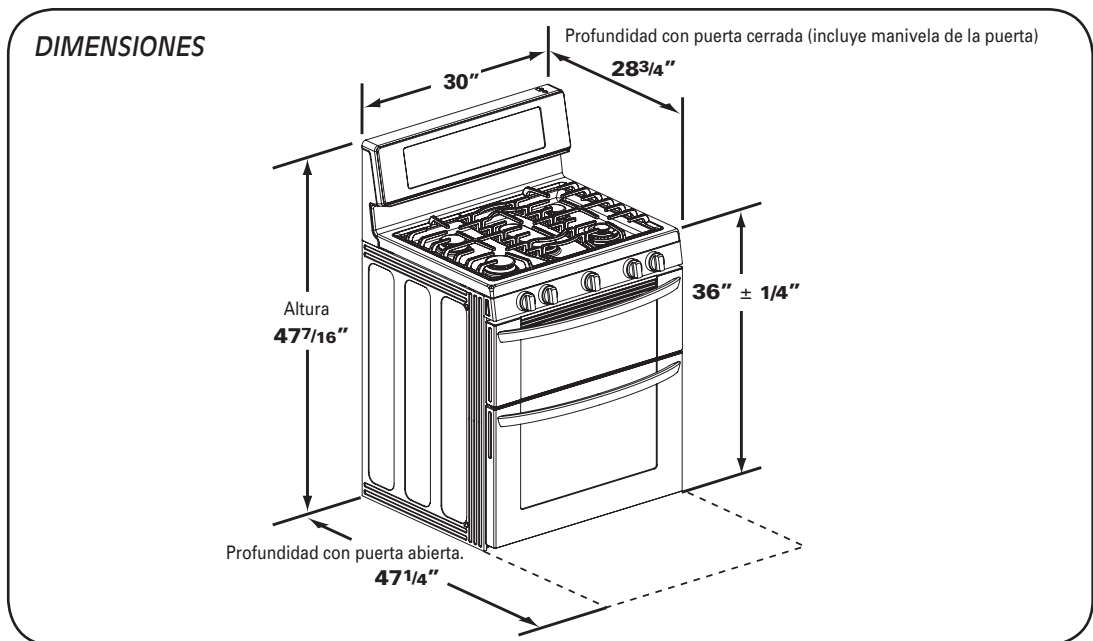
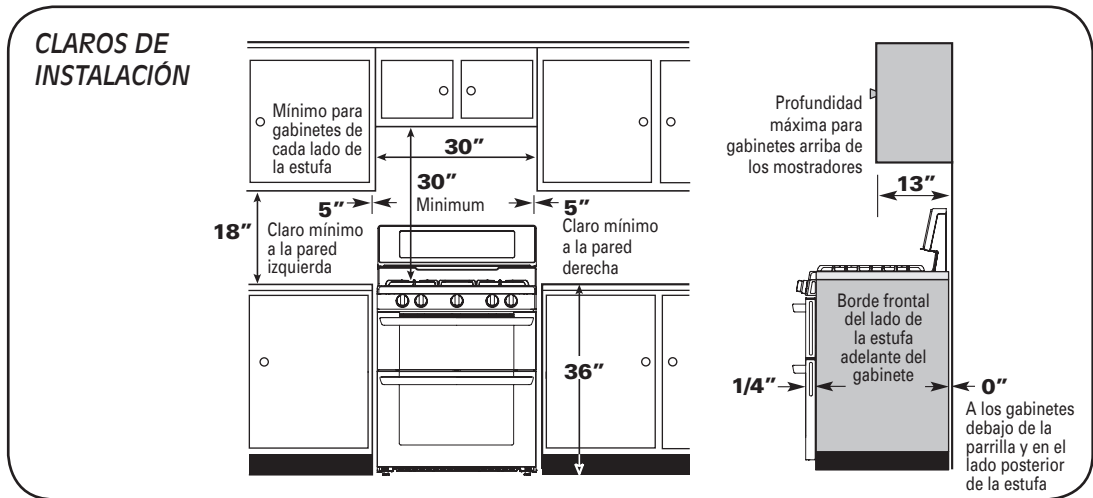
- Válvula de cierre de línea de gas
- Sello de junta de tubería resistente a la acción del gas natural y gas LP
- Conector metálico flexible de aparato (3/4" o 1/2" NPT x 1/2" D.I.)  
Nunca use un conector viejo al instalar una estufa nueva.
- Adaptador de unión acampanada para conexión a línea de suministro de gas (3/4" o 1/2" NPT x 1/2" D.I.)
- Adaptador de unión acampanada para conexión a regulador de presión en estufa (1/2" NPT x 1/2" D.I.)
- Detector de fugas líquido o agua con jabón.
- Tornillo para madera o ancla de camisa de 1/2" D.E.  
(para pisos de concreto únicamente).

# INSTRUCCIONES DE INSTALACIÓN

## DIMENSIONES Y CLAROS

Proporcione claros apropiados entre la estufa y superficies adyacentes combustibles. Estas dimensiones deben cumplirse para un uso seguro de su estufa. La ubicación del tomacorriente eléctrico y abertura de tubería (ver "UBICACIONES DE TUBERÍA DE GAS Y TOMACORRIENTE ELÉCTRICO") se puede ajustar para cumplir con requerimientos específicos.

La estufa se puede colocar con un claro de 0" (al ras) de la pared posterior.



# INSTRUCCIONES DE INSTALACIÓN

## UBICACIÓN

**No coloque su estufa donde pueda estar expuesta a fuertes corrientes de aire. Cualquier abertura en el piso o pared detrás de la estufa debe sellarse. Asegúrese que las aberturas alrededor de la base de la estufa que suministran aire fresco para combustión y ventilación no estén bloqueadas por alfombras o estructuras de madera.**

Su estufa, como muchos otros aparatos del hogar, es pesada y puede instalarse sobre revestimientos de piso suaves como por ejemplo vinilo acojinado o alfombra. Tenga cuidado al momento de mover la estufa en este tipo de pisos.

Se recomienda que siga las siguientes instrucciones simples y económicas para proteger su piso.

Este equipo no se debe de instalar con un sistema de ventilación que circule aire hacia la parte baja trasera de la estufa. Este tipo de sistema de ventilación puede causar problemas de ignición y combustión en el equipo de gas, pudiendo resultar en lesiones y funcionamiento inadecuado.

Cuando el revestimiento de piso termina al frente de la estufa, el área donde la estufa va a ser instalada debe estar hecha de madera laminada al mismo nivel o más arriba que el revestimiento de piso. Esto permitirá mover la estufa para limpieza y servicio, así como para un flujo de aire apropiado para la estufa.

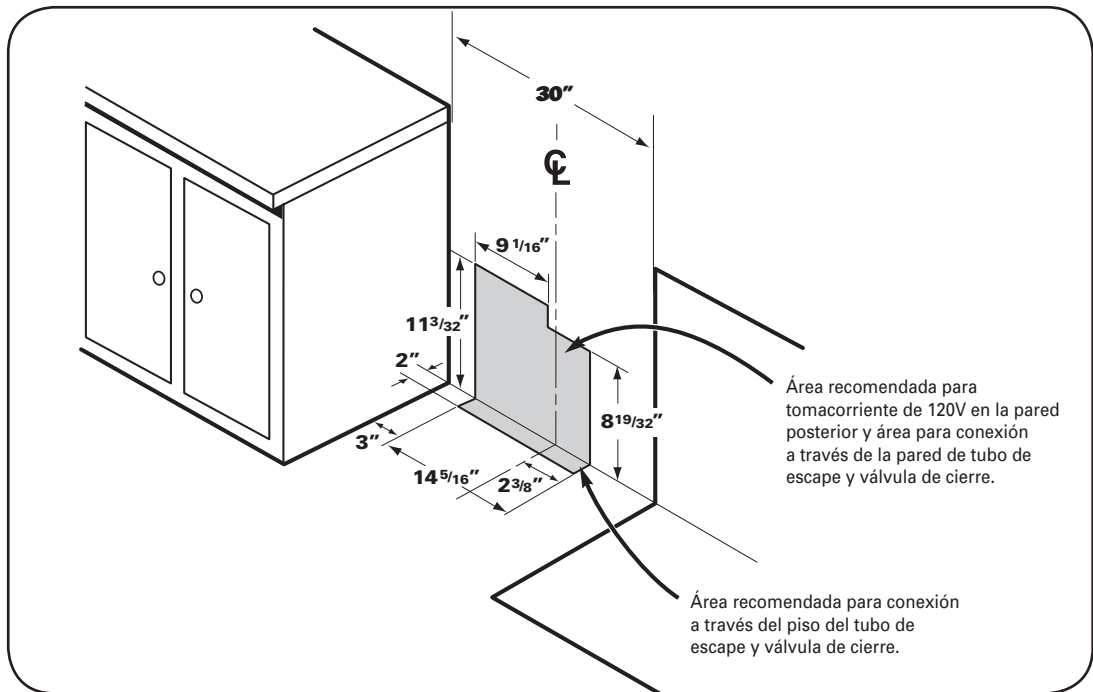
También, asegúrese que el revestimiento de pared sea resistente a 82°C (180°F). Ver "INSTRUCCIONES DE SEGURIDAD DE LA INSTALACIÓN" (incluidas en este manual).

Asegúrese que los revestimientos de pared alrededor de su estufa resistan el calor generado (hasta 93°C/200°F) por la estufa. Ver "INSTRUCCIONES DE SEGURIDAD DE LA INSTALACIÓN" (incluidas en este manual).

ESPAÑOL

# INSTRUCCIONES DE INSTALACIÓN

## UBICACIONES DE TUBERÍA DE GAS Y TOMACORRIENTE ELÉCTRICO



## 1. PROPORCIONAR SUMINISTRO DE GAS ADECUADO

**Su estufa está diseñada para operar a una presión de 5" de columna de agua en gas natural o de 10" de columna de agua en gas LP.**

Asegúrese de suministrar a su estufa el tipo de gas para el cual está configurada.

Esta estufa es convertible para usarse con gas natural o gas LP. Al usar esta estufa con gas LP, la conversión debe hacerla un instalador calificado LP antes de intentar operar la estufa.

Para una operación apropiada, la presión del gas natural suministrado al regulador debe estar entre 5" y 13" de columna de agua.

Para gas LP, la presión suministrada al regulador debe estar entre 10" y 13" de columna de agua.

Al verificar que el regulador funcione correctamente, la presión de la toma debe ser de al menos 1" mayor a la presión operativa (distribuidor) arriba indicada.

El regulador de presión ubicado en la toma de la estufa debe permanecer en la línea de suministro independientemente del tipo de gas utilizado.

Un conector metálico flexible de aparato usado para conectar la estufa a la línea de suministro de gas debe tener un Diámetro Interno de 5/8" y un máximo de 5 ft. En Canadá, los conectores flexibles deben ser conectores metálicos de pared sencillos de menos de 6 pies de longitud.



# INSTRUCCIONES DE INSTALACIÓN

## 2. CONECTE LA ESTUFA AL GAS

**Cierre el suministro de gas de la estufa antes de quitar la estufa vieja y manténgalo cerrado hasta terminar la conexión nueva.**

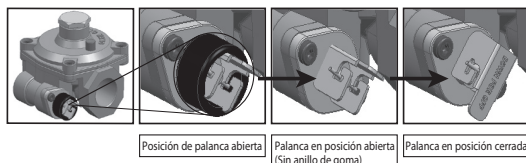
Debido a que la tubería dura restringe el movimiento de la estufa, el uso de un conector metálico flexible de aparatos certificado por CSA International debe ser usado a menos que los códigos locales requieran el uso de una conexión de tubería dura.

**NUNCA** reutilice un conector viejo al instalar una estufa nueva.

Para protegerse contra fugas de gas, use un sellador de junta de tubería calificado en todas las roscas externas.

- A** Instale un adaptador de unión acampanada macho de 1/2" o 3/4" a la rosca NPT interna de la válvula de cierre manual, cuidando de dar soporte a la válvula de cierre para evitar que gire.
- B** Instale un adaptador de unión acampanada de 1/2" a la rosca NPT interna de 1/2" en la toma del regulador de presión. Use una llave de soporte en el regulador de presión para evitar daños.

En una situación de emergencia o si desea cerrar el gas, retire el empaque de goma del regulador en la parte trasera, y luego cierre la válvula del regulador mediante la colocación de la palanca como se muestra en la figura.



**C** Conecte un conector metálico flexible de aparato al adaptador en la estufa. Coloque la estufa de manera que permita la conexión con la válvula de cierre.

**D** Al realizar todas las conexiones, asegúrese que los controles de la estufa estén en posición de apagado y luego abra la válvula de suministro de gas principal. Puede haber fugas de gas en su sistema y resultar en una situación de riesgo. Las fugas de gas no pueden detectarse solo por el olor.

Revise las uniones y adaptadores de conexión de gas para detectar fugas con un líquido detector de fugas anticorrosivo y luego limpie.

Los proveedores de gas recomiendan que compre e instale un detector de gas aprobado por UL. Instale y use conforme a las instrucciones de instalación.

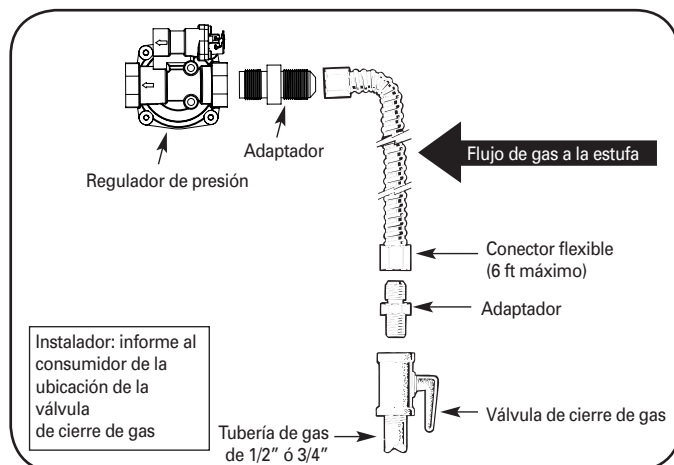
### ⚠ ¡ADVERTENCIA!

**NO UTILICE FLAMAS PARA REVISAR FUGAS DE GAS.**

### ⚠ ¡ADVERTENCIA!

Aísle la estufa del sistema de suministro de gas al cerrar su válvula de cierre independiente durante cualquier prueba de presión del sistema de suministro de gas con presiones de prueba iguales a o menores a 1/2" psig (3.5kPa).

## CONEXIÓN DEL CONECTOR FLEXIBLE



# INSTRUCCIONES DE INSTALACIÓN

## 3. CONEXIONES ELÉCTRICAS

### REQUERIMIENTOS ELÉCTRICOS

Circuito dedicado de 120 Volt, 60 Hertz, conectado a tierra apropiadamente protegido por un interruptor de circuito de 15 o 20 Amp., o fusible de fundido lento.

### CONEXIÓN A TIERRA

**IMPORTANTE: POR SEGURIDAD PERSONAL, ESTE APARATO DEBE ESTAR CONECTADO A TIERRA APROPIADAMENTE.**

El cable de energía de este aparato está equipado con un enchufe de 3 clavijas (para tierra) que enchufa con un tomacorriente de pared con conexión a tierra estándar para minimizar el riesgo de choque eléctrico de este aparato.

El cliente debe solicitar que el tomacorriente de pared y el circuito sean verificados por un electricista calificado para asegurar que el tomacorriente está conectado a tierra apropiadamente.

Si se encuentra con un tomacorriente de dos clavijas estándar, es responsabilidad y obligación personal del cliente pedir que lo reemplacen con un tomacorriente de pared de tres clavijas conectado a tierra apropiadamente.

**BAJO NINGUNA CIRCUNSTANCIA, NO CORTE LA TERCERA CLAVIJA (TIERRA) DEL CABLE DE ENERGÍA.**

Acerca de GFCI - Los GFCI no son requeridos ni recomendados para tomacorrientes de estufas de gas.

Los interruptores de circuito de falla de tierra (GFCI) son dispositivos que detectan fuga de corriente en un circuito y automáticamente cortan la energía al detectar un nivel de fuga de umbral. Estos dispositivos deben reajustarse manualmente por el usuario. El Código Eléctrico Nacional requiere el uso de GFCI en tomacorrientes de cocina instalados para servicio a superficies de mostradores. El desempeño de la estufa no se ve afectado si funciona con un circuito protegido por GFCI pero pueden causar molestias ocasionales.

### MÉTODO PREFERIBLE



Asegúrese que exista una conexión a tierra apropiada antes de usarlo

### ⚠ ¡ADVERTENCIA!

El cliente debe solicitar que un electricista calificado revise el circuito para asegurar que el tomacorriente está conectado a tierra apropiadamente.

**NO** use un enchufe adaptador porque al desconectar el cable de energía pone una tensión indebida al adaptador y eventualmente causa una falla de la terminal de tierra del adaptador.

La instalación de aparatos diseñados para instalación de casas móviles debe cumplir con la Norma de Construcción y Seguridad de Casas Fabricadas, Título 24 CFR, Parte 3280 (antes la Norma Federal para Construcción y Seguridad de Casas Móviles, Título 24, HUD, Parte 280) o, cuando dicha norma no aplique, la Norma para Instalaciones de Casas Fabricadas, última edición (Sitios, Comunidades e Instalaciones de Casas Fabricadas), ANSI A225.1, última edición, o con los códigos locales. En Canadá, la instalación de casas móviles debe conformar con el Código de Instalación de Casas Móviles CAN/CSA Z240/MH vigente.

### ⚠ ¡ADVERTENCIA!

DEBE DESCONECTAR LA ENERGÍA ANTES DE DAR SERVICIO AL APARATO. DE NO HACER ESTO PUEDE RESULTAR EN MUERTE O CHOQUE ELÉCTRICO.

## 4. SELLO DE ABERTURAS

Selle cualquier abertura en la pared y piso después de terminar los suministros eléctricos y de gas.

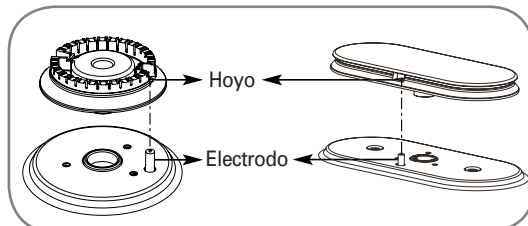
# INSTRUCCIONES DE INSTALACIÓN

## 5. ENSAMBLAJE DE LOS QUEMADORES DE SUPERFICIE

### ⚠ PRECAUCIÓN

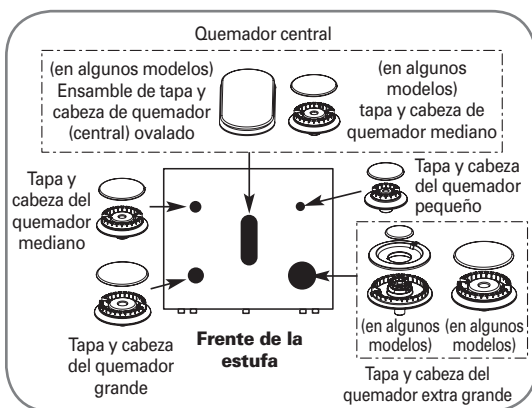
**NO ENCIENDA LOS QUEMADORES SIN TENER TODAS LAS PIEZAS EN SU LUGAR.**

Coloque las tapas y cabezas de los quemadores en la parrilla. Asegúrese que todas las tapas y cabezas estén colocadas en sus ubicaciones correctas. Hay una tapa y una cabeza para cada quemador pequeño, mediano, grande y extra grande.



Asegúrese de meter el agujero del quemador sobre el electrodo.

ESPAÑOL



## 6. REVISE EL ENCENDIDO DE LOS QUEMADORES

### ENCENDIDO ELÉCTRICO

Seleccione una perilla de quemador de parrilla y empuje hacia adentro y gire a la posición "LITE" (encender) simultáneamente. Escuchará un sonido "clic" indicando la operación apropiada del módulo de chispa.

Una vez que se purga el aire de las líneas de suministro, el quemador debe encender dentro de 4 segundos.

Después de encender el quemador, gire la perilla fuera de la posición "LITE". Intente con cada quemador sucesivamente hasta verificar todos los quemadores.

### CALIDAD DE LAS FLAMAS

La calidad de la combustión de las llamas del quemador precisa determinarse visualmente.



**A Llamas amarillas**—Solicite servicio.



**B Puntas amarillas en los conos exteriores**—Es normal en gas LP



**C Llamas azules claras**— Es normal en gas natural

Con gas LP, es normal que haya algunas puntas amarillas en los conos exteriores

# INSTRUCCIONES DE INSTALACIÓN

## 7. AJUSTE EL QUEMADOR DE SUPERFICIE AL AJUSTE DE FLAMA BAJA (FUEGO LENTO).

- 1) Encienda todos los quemadores de superficie.
- 2) Gire la perilla del quemador que está ajustando a "LO".
- 3) Quite la perilla.
- 4) Inserte un desarmador plano delgado en el eje de la válvula como se muestra en la Fig. 1.

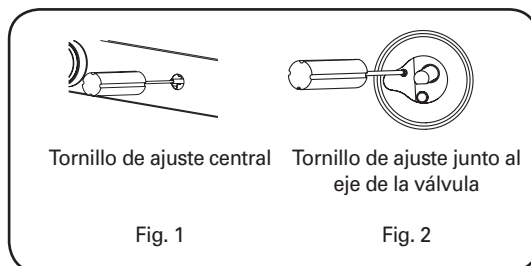
En la válvula frontal derecha para el modelo LDG3019ST hay un ajuste secundario para flama baja para los quemadores exteriores.

Inserte a desarmador plano delgado en el agujero junto a la espiga de la válvula para ajustar la flama exterior como se muestra en la Fig. 2.

Gire el tornillo de ajuste hasta que la flama alcance el tamaño deseado.

- 5) Vuelva a poner la perilla.

**Nota:** Sostenga el eje de la válvula con una mano mientras gira el tornillo para ajustarlo con la otra mano.



- 6) Pruebe la estabilidad de la flama.

**Prueba 1:** Gire la perilla de la posición "HI" hacia "LO" rápidamente. Si la llama se apaga, aumente el tamaño de la flama y haga la prueba nuevamente.

**Prueba 2:** con el quemador en posición "LO", abra y cierre la puerta del horno rápidamente. Si la flama se apaga por las corrientes de aire creadas por el movimiento de la puerta, aumente la altura de la llama y haga la prueba nuevamente.

- 7) Repita los pasos del 1 al 6 para cada quemador de superficie.

# INSTRUCCIONES DE INSTALACIÓN

## 8. VERIFIQUE LA OPERACIÓN DE LOS QUEMADORES DE HORNEADO / ASADO

Para verificar el encendido del quemador de horneado, siga los pasos a continuación:

- 1) Quite todo el material de empaque del interior de la cavidad del horno.
- 2) Presione "**Bake**" (**hornear**) (la pantalla indicará 350).
- 3) Presione "**Start**" (**iniciar**).

Puede tomar entre 30 y 90 segundos para que el quemador comience a calentar.

Para verificar el encendido del quemador de asado, siga los pasos a continuación:

- 1) Presione "**Broil**" (**asar**) (la pantalla indicará "**Hi**" (**alto**)).
- 2) Asegúrese que la puerta esté cerrada.
- 3) Presione "**Start**" (**iniciar**).

Puede tomar entre 30 y 90 segundos para que el quemador comience a calentar.

**NOTA: No intente encender los quemadores de hornear o de asar durante una falla de energía eléctrica. La estufa tiene un sistema de encendido eléctrico y no se puede usar sin energía eléctrica.**

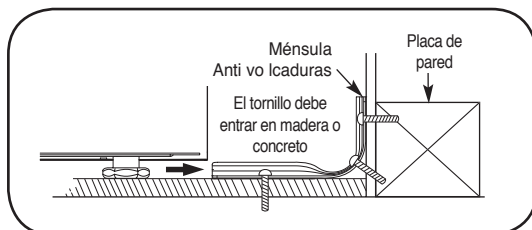
## 9. AJUSTE DE LA COMPUERTA DE AIRE PARA QUEMADORES DE HORNEADO Y ASADO

La estufa viene de fábrica con compuertas de aire ajustadas para un flujo de aire apropiado para gas natural. Si se convierte la estufa a gas LP, siga las instrucciones proporcionadas en el juego de conversión para ajustar correctamente las compuertas de aire. La conversión a gas LP debe ser realizada por un técnico calificado.

# INSTRUCCIONES DE INSTALACIÓN

## 10. INSTALANDO EL DISPOSITIVO ANTI VOLCADURAS

INSTALE LA MÉNSULA USANDO LA HOJA DE INSTALACIÓN DE MÉNSULA



La ménsula anti volcaduras viene con una plantilla de instalación.

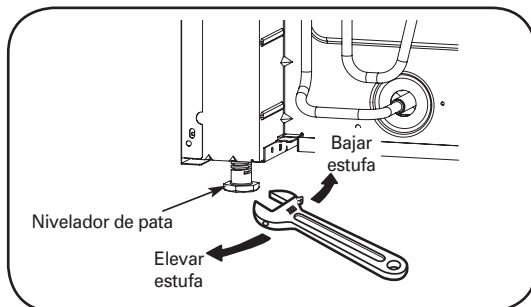
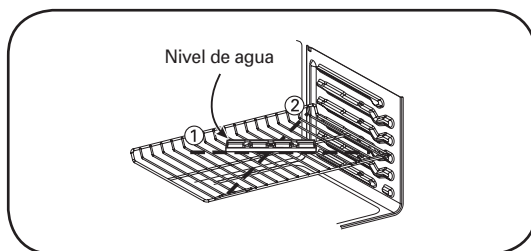
Las instrucciones incluyen la información necesaria para completar la instalación.

Lea y siga la hoja de instrucciones de instalación de la estufa.

### ⚠ ADVERTENCIA

- La estufa debe ser asegurada con un dispositivo anti volcaduras.
- La estufa se puede volcar al estar parada, asentada o inclinada en una puerta abierta si la estufa o el dispositivo anti volcaduras no está instalado apropiadamente.
- Después de instalar el dispositivo anti volcaduras, verifique que esté bien puesto al intentar con cuidado inclinar la estufa hacia adelante.
- Esta estufa está diseñada para cumplir con todos los estándares de inclinación reconocidos en la industria en todas las condiciones normales.
- La instalación del dispositivo anti volcaduras debe cumplir con todos los códigos locales para asegurar el aparato.
- El uso de este dispositivo no impide la volcadura de la estufa cuando no está bien instalado.

## 11. NIVELANDO LA ESTUFA



- A Instale los estantes del horno en el horno y coloque la estufa donde va a ser instalada.
- B Verifique si la estufa está nivelada al colocar un nivel de agua o una taza, parcialmente llena de agua, en uno de los estantes del horno. Si usa un nivel de agua, tome dos lecturas, primero con el nivel colocado diagonalmente en una dirección - ① y luego la otra - ②.
- C Quite la puerta inferior. Ver la sección "CUIDADO Y LIMPIEZA DE LA ESTUFA" en el manual del usuario. Las patas frontales y traseras de nivelación se pueden ajustar en el lado inferior.
- D Use una llave inglesa abierta o ajustable para ajustar las patas de nivelación hasta que la estufa quede nivelada.

# INSTRUCCIONES DE INSTALACIÓN

## CUANDO TODAS LAS CONEXIONES ESTÁN HECHAS

Asegúrese que todos los controles se queden en posición de apagado. Asegúrese que el flujo de aire de combustión y ventilación para la estufa no esté bloqueado.

## CONVERTIENDO A GAS LP (O CONVIRTIENDO DE NUEVO A GAS NATURAL DESDE GAS LP)

Esta estufa está ajustada de fábrica para usarla con gas natural. La conversión a gas LP debe ser realizada por un técnico calificado en gas LP al momento de convertirla a gas LP.

Las instrucciones de conversión y orificios para gas LP se pueden encontrar adjuntas a la estufa en el lado posterior.

Conserve estas instrucciones y los orificios en caso que desee convertir de nuevo a gas natural.

ESPAÑOL



**LG Customer Information Center**

**1-800-243-0000** USA, Consumer User

**1-888-865-3026** USA, Commercial User

**1-888-542-2623** CANADA

**Register your product Online!**

**[www.lg.com](http://www.lg.com)**

Printed in Mexico



## Free Manuals Download Website

<http://myh66.com>

<http://usermanuals.us>

<http://www.somanuals.com>

<http://www.4manuals.cc>

<http://www.manual-lib.com>

<http://www.404manual.com>

<http://www.luxmanual.com>

<http://aubethermostatmanual.com>

Golf course search by state

<http://golfingnear.com>

Email search by domain

<http://emailbydomain.com>

Auto manuals search

<http://auto.somanuals.com>

TV manuals search

<http://tv.somanuals.com>