

Job Name : _____
 Purchaser : _____
 Engineer : _____
 Submitted To : _____
 Submitted By : _____
 Unit Designation : Schedule No.: _____

Location : _____
 P.O. No. : _____
 Architect : _____
 Date : _____
 For : Reference Approval Construction
 Model No.: _____

Submittal Data : LMU240HE



Capacities :

Cooling9,000~24,000 Btu/h
 Heating9,000~24,000 Btu/h
 Outdoor Design Temp.(°F,DB/WB)
 Cooling95/75
 Heating47/43
 Input
 Cooling1,170~2,390 W
 Heating1,220~2,440 W

Outdoor Unit :

Power Supply (V,Ph,HZ)230/208,1,60
 Maximum Fuse Size.....20
 Minimum Ampacity.....7.7~10.1
 Weight (lbs).....152
 Sound (dB(A), High Cool)54
 Max. number of indoor units2

Refrigerant Piping :

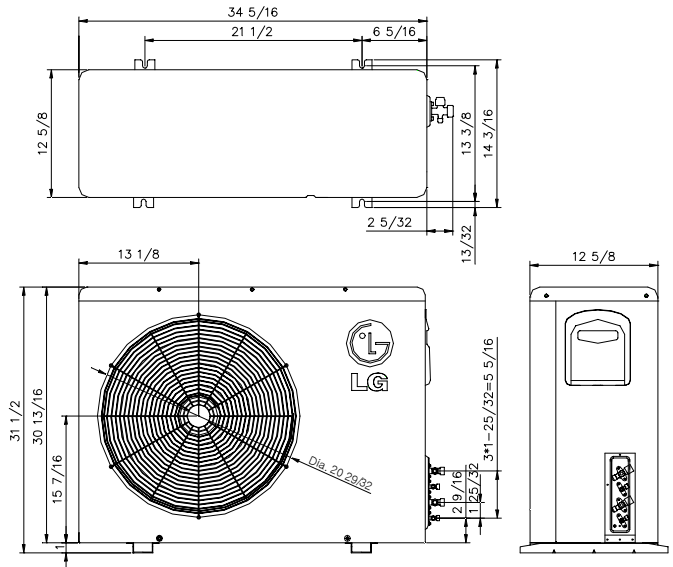
Maximum Length (ft).....50 per each pipe
 Maximum Height Difference (ft).....25 per each pipe
 Liquid Side (O.D).....1/4" * 2 each
 Gas Side (O.D).....3/8" * 2 each

Standard Features :

- Five Year Compressor Warranty
- Two Year Functional Parts Warranty
- R-410a Refrigerant
- Multi Power System™
- Flexible Multi Split to pick any two indoor units for a combined 18,000~24,000 Btus of same style, or mix and match
- Auto Restart
- Ultra Quiet Operation

Note :

LMU240HE



Free Manuals Download Website

<http://myh66.com>

<http://usermanuals.us>

<http://www.somanuals.com>

<http://www.4manuals.cc>

<http://www.manual-lib.com>

<http://www.404manual.com>

<http://www.luxmanual.com>

<http://aubethermostatmanual.com>

Golf course search by state

<http://golfingnear.com>

Email search by domain

<http://emailbydomain.com>

Auto manuals search

<http://auto.somanuals.com>

TV manuals search

<http://tv.somanuals.com>