

Setup
Installation
Instalación

Installazione
Instalação
Installatie

Aseennus
Installasjon
Instalacja

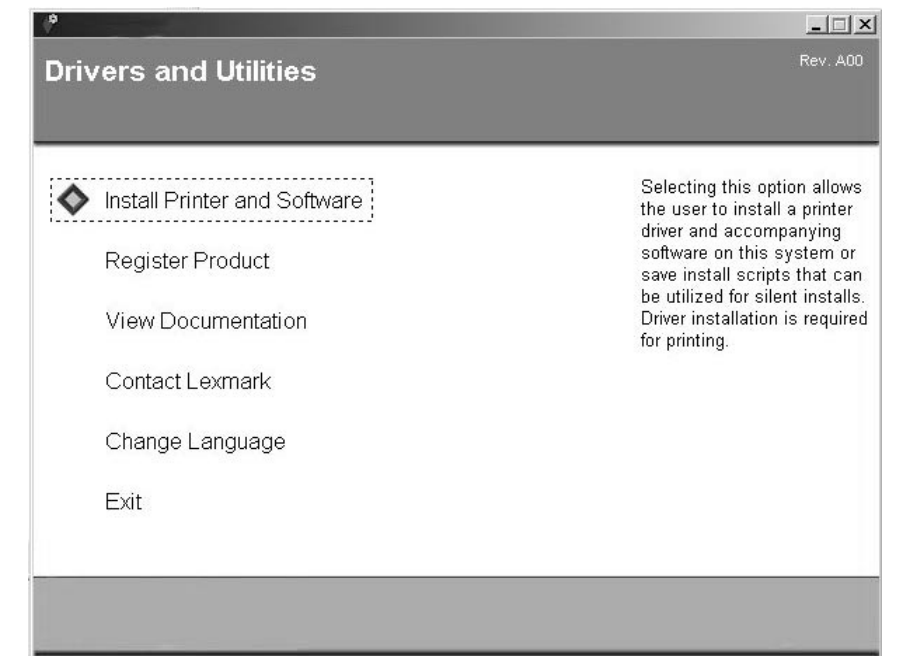
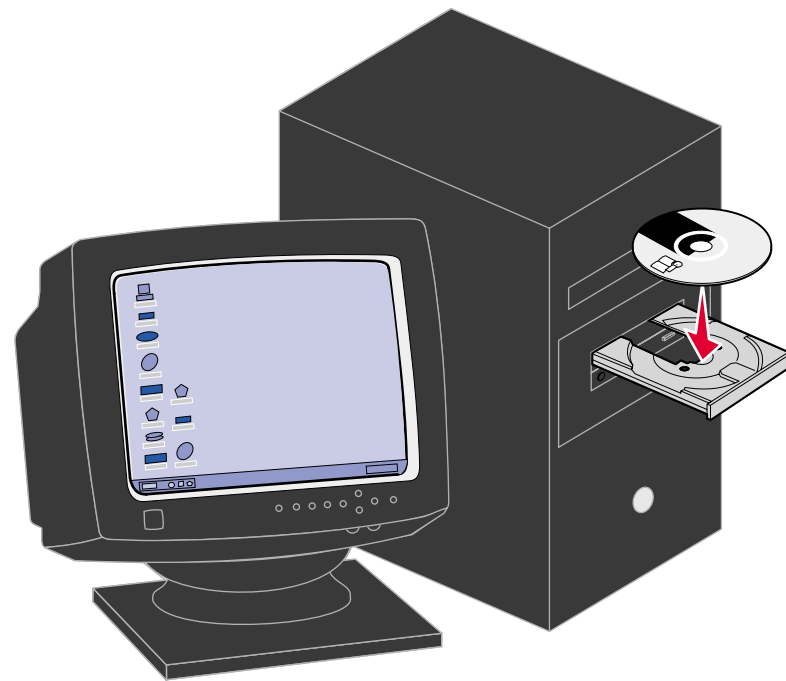
Руководство
по установке
설치

設置
安裝

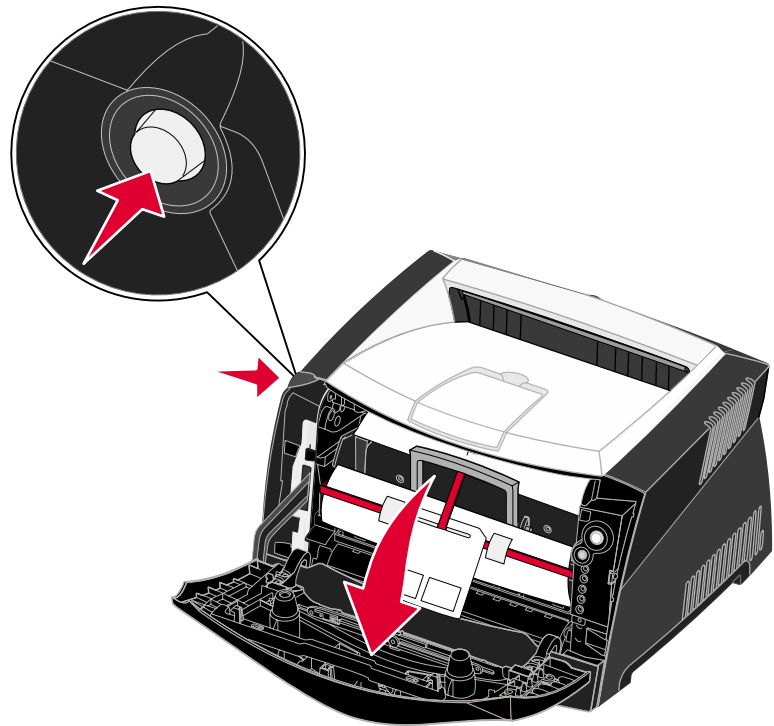
1



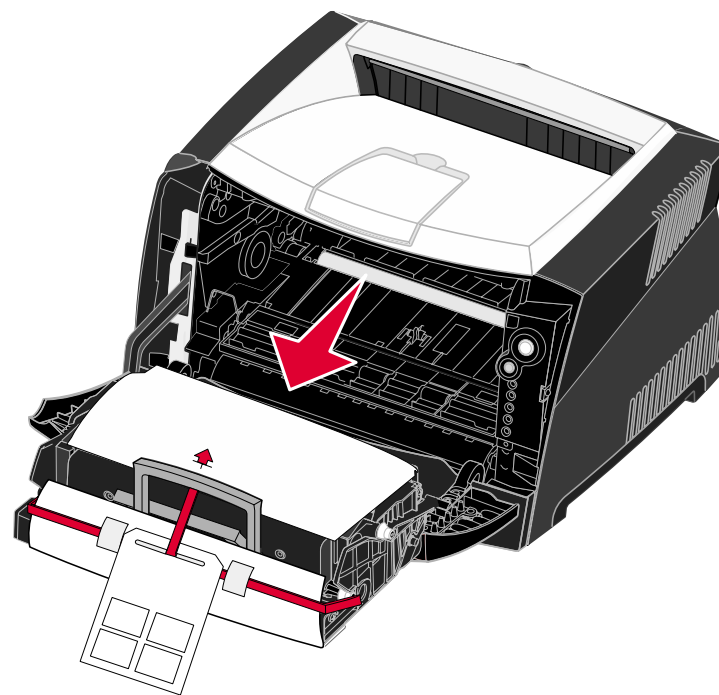
2



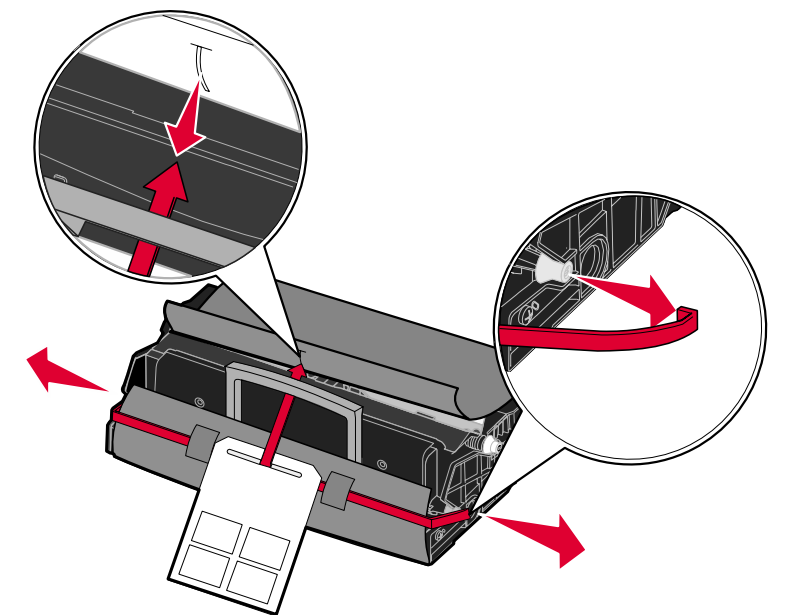
3



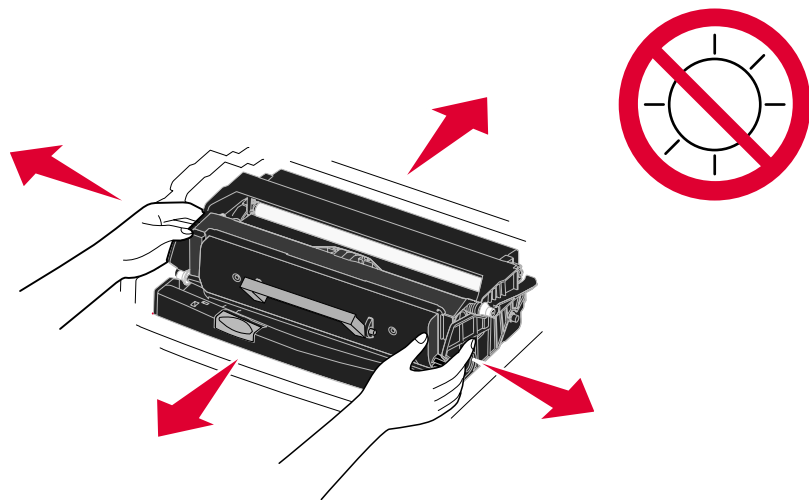
4



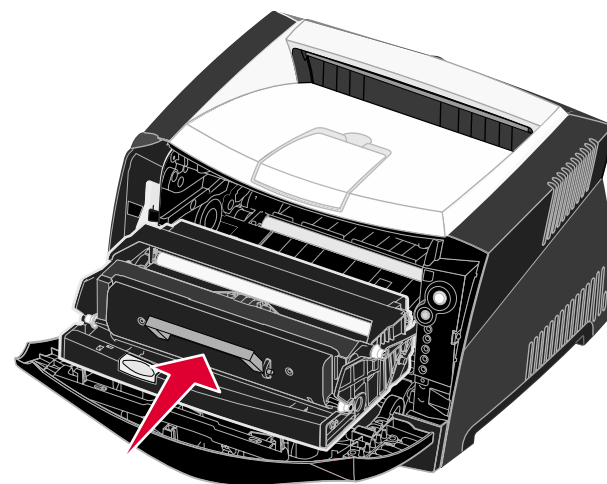
5



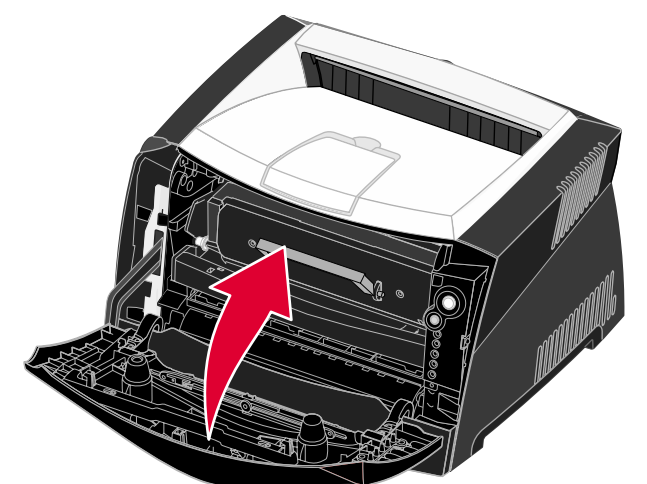
6



7



8

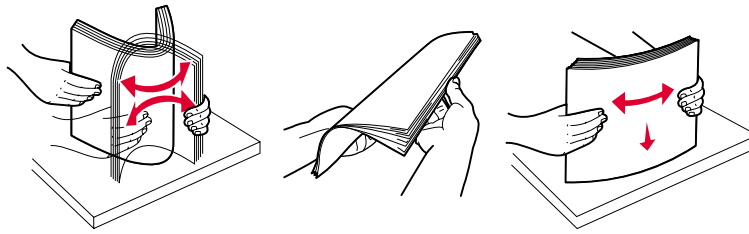


P/N 28S1855 E.C. 28S014
© 2005 Lexmark International, Inc. All rights reserved.
Printed in China

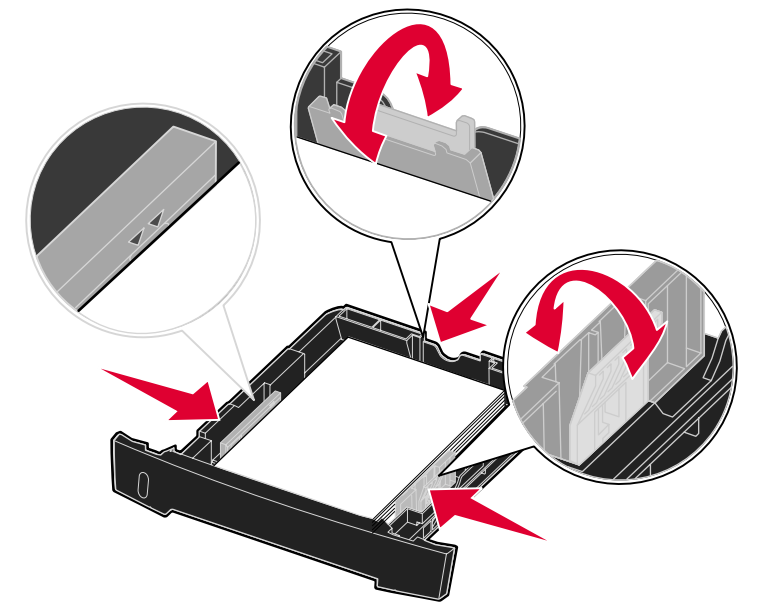
9



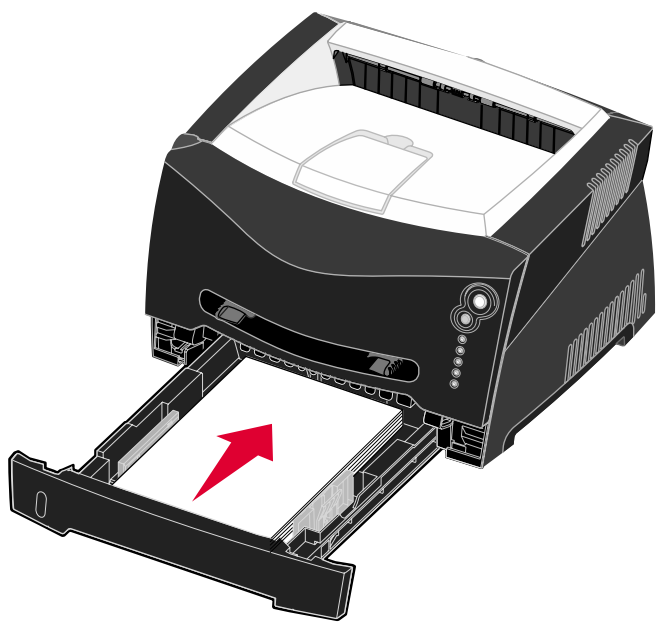
10



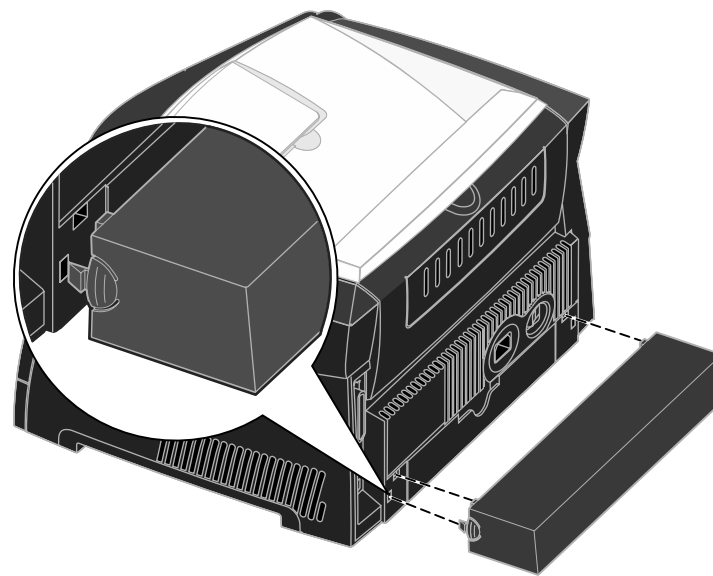
11



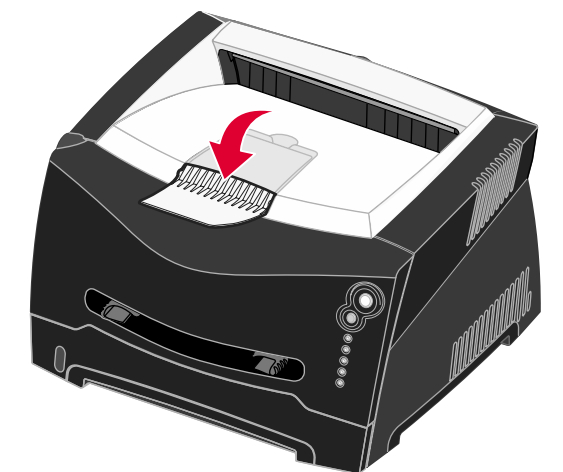
12



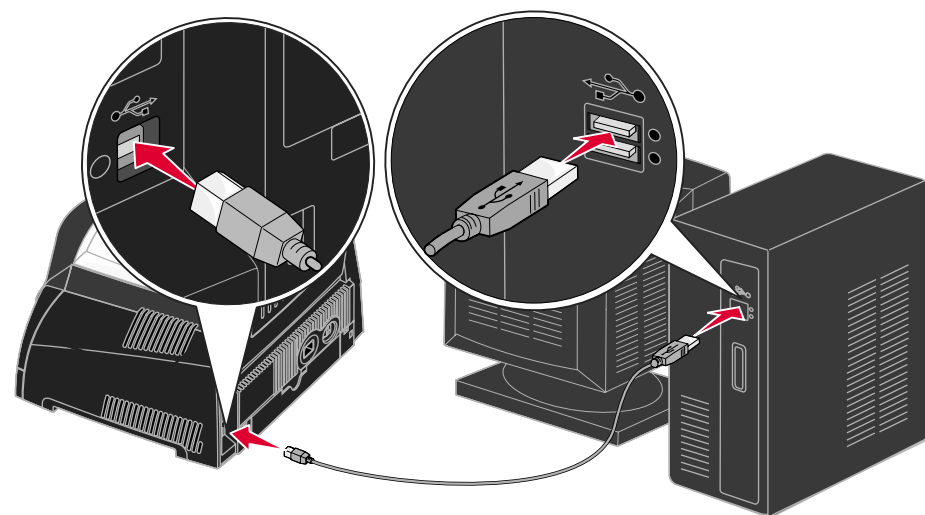
13



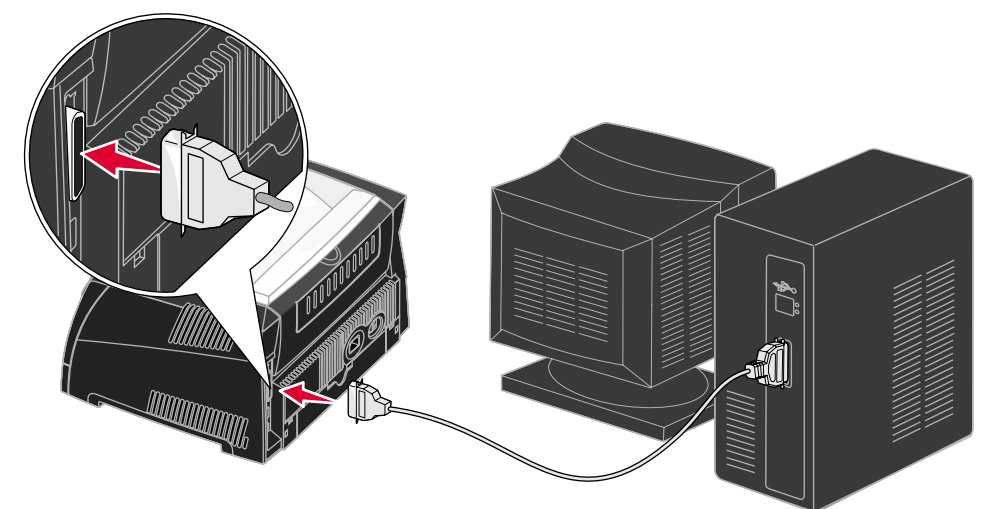
14



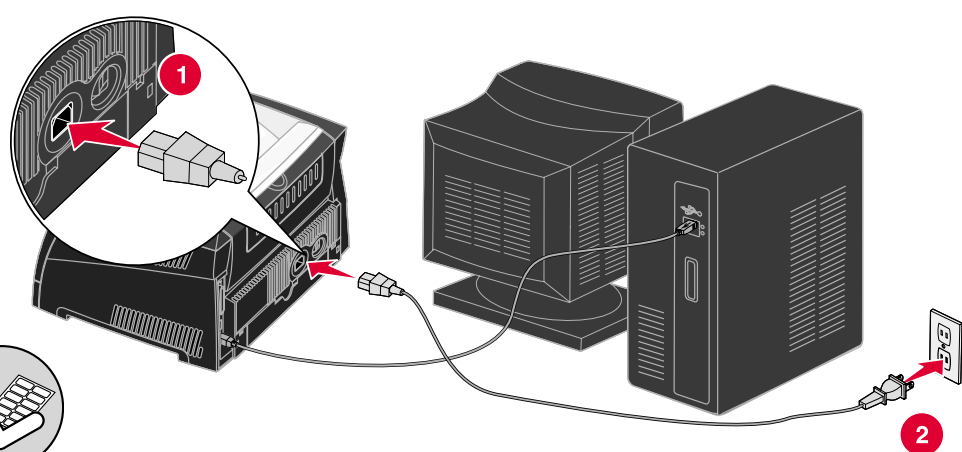
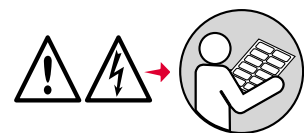
15



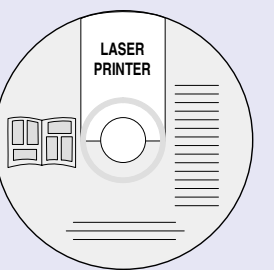
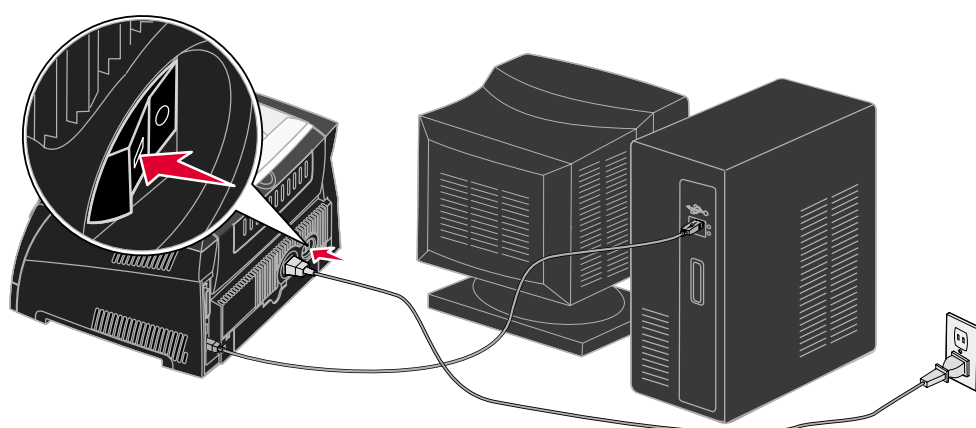
or
ou
o
oder
eller
of
tai
lub
или
或
或
또는



16



17



Federal Communications Commission (FCC) information
This device complies with the limits for a Class B device in Part 15 of the FCC rules. Refer to the publications CD for more compliance information.

Free Manuals Download Website

<http://myh66.com>

<http://usermanuals.us>

<http://www.somanuals.com>

<http://www.4manuals.cc>

<http://www.manual-lib.com>

<http://www.404manual.com>

<http://www.luxmanual.com>

<http://aubethermostatmanual.com>

Golf course search by state

<http://golfingnear.com>

Email search by domain

<http://emailbydomain.com>

Auto manuals search

<http://auto.somanuals.com>

TV manuals search

<http://tv.somanuals.com>