



X560n

User's Guide

May 2008

www.lexmark.com

Lexmark and Lexmark with diamond design are trademarks of Lexmark International, Inc., registered in the United States and/or other countries.
All other trademarks are the property of their respective owners.

© 2008 Lexmark International, Inc.

All rights reserved.

740 West New Circle Road
Lexington, Kentucky 40550

Contents

Safety information.....	11
Learning about the printer.....	12
Checking the box contents.....	12
Printer configurations.....	13
Understanding the printer control panel.....	16
Getting the printer ready to fax.....	18
Choosing a fax connection.....	18
Using an RJ11 adapter	19
Connecting directly to a telephone wall jack	23
Connecting to a telephone	23
Connecting to an answering machine.....	25
Connecting to a computer with a modem.....	26
Setting the outgoing fax name and number.....	27
Setting the country code	28
Setting the date.....	30
Setting the time.....	30
Understanding the fax and scan software.....	31
Understanding Address Book Editor	31
Understanding Express Scan Manager	31
Installing options.....	32
Installing a 550-sheet drawer.....	32
Securing the 550-sheet drawer to the printer.....	33
Installing a multi-protocol network card.....	35
Installing a memory card.....	37
Attaching cables.....	40
Loading paper and specialty media.....	42
Loading Tray 1 (MPT).....	42
Loading Tray 2 and Tray 3.....	44
Setting the Paper Type.....	46
Linking trays.....	46
Paper and specialty media guide.....	48
Paper guidelines.....	48
Paper characteristics.....	48

Unacceptable paper	49
Selecting paper.....	49
Selecting preprinted forms and letterhead.....	49
Using recycled paper.....	50
Using letterhead.....	50
Using transparencies.....	50
Using envelopes.....	51
Using labels.....	52
Using card stock.....	53
Storing paper.....	53
Supported paper sizes, types, and weights.....	54
Supported paper sizes	54
Supported paper types.....	55
Supported paper weights.....	56
Paper capacities.....	56
Printing.....	58
Installing printer software.....	58
Printing a document from Windows.....	58
Printing a document from a Macintosh computer.....	58
Printing the configuration page.....	58
Printing the demo page.....	59
Using Secure printing.....	59
Understanding Secure Print.....	59
Printing Secure Print jobs from the printer control panel	59
Using Proof printing.....	60
Understanding Proof Print	60
Printing Proof Print jobs from the printer control panel	60
Canceling a print job.....	60
Canceling a print job from the printer control panel	60
Canceling a print job from the Windows taskbar	61
Canceling a print job from the Windows desktop.....	61
Canceling a print job from Mac OS X.....	61
Copying.....	62
Making a copy.....	62
Customizing copy settings.....	63
Selecting a paper tray for copies.....	63
Collating copies.....	63
Reducing or enlarging copies	64
Selecting the type of document being copied	64

Contents

Adjusting copy quality.....	65
Making a copy lighter or darker	65
Adjusting the sharpness of a copy	65
Adjusting the color saturation of a copy.....	66
Adjusting the auto exposure of copies.....	66
Centering an image on a page	67
Copying multiple pages onto a single sheet.....	67
Printing a poster.....	68
Repeating images on a sheet	68
Setting the copy margins.....	69
Canceling a copy job.....	69

Scanning.....70

Scanning a document using the computer.....	70
Scanning documents directly to other applications.....	71
Scanning text for editing.....	71
Customizing scan settings using the computer.....	71
Scanning clear images from magazines or newspapers.....	73
Canceling a scan job.....	73
Scanning to a computer.....	73
Sharing a folder in Windows.....	73
Creating a computer address using Address Book Editor	74
Creating a computer address using the Embedded Web Server	75
Setting up scanning to a computer (Macintosh).....	75
Scanning to a computer over the network	77
Scanning to an FTP server.....	77
Creating an FTP address using Address Book Editor	77
Creating an FTP address using the Embedded Web Server	78
Scanning to an FTP address	78
Scanning to e-mail.....	79
Setting up the SMTP server	79
Creating an e-mail address using Address Book Editor	79
Creating an e-mail address using the Embedded Web Server.....	80
Creating an e-mail group using the Embedded Web Server	80
Scanning to an e-mail address.....	81
Customizing the default scan settings from the printer control panel.....	81
Adjusting the auto exposure of scanned images	81
Adjusting the color saturation of a scanned image	82
Adjusting the image compression of a scanned image	82
Adjusting the scan resolution	82
Adjusting the sharpness of a scanned image.....	82
Selecting the size of the document being scanned.....	83

Changing the maximum e-mail size of a scanned image	83
Changing the scan destination.....	83
Changing the TIFF format for a scanned image	83
Selecting the type of document being scanned.....	84
Making a scanned image lighter or darker.....	84
Setting the scan color mode.....	84
Setting the scanned image file type	85
Customizing the scan settings for an individual scan job.....	85
Customizing the scan settings when scanning to e-mail	85
Customizing the scan settings when scanning to a computer	85

Faxing.....86

Sending a fax.....	86
Sending a fax using the ADF.....	86
Sending a fax using the scanner glass	86
Sending a broadcast fax.....	87
Inserting a pause in a fax number	87
Setting up the Address Book for faxing.....	88
Creating a fax number entry using Address Book Editor	88
Creating a fax number entry using the Embedded Web Server.....	88
Creating a fax number entry using the printer control panel	89
Creating a fax group using Address Book Editor	89
Creating a fax group using the Embedded Web Server	90
Creating a fax group using the printer control panel.....	90
Canceling a fax job.....	91
Receiving a fax.....	91
Understanding the fax receive modes.....	91
Setting the fax receive mode.....	91
Enabling secure faxes.....	92
Printing secure faxes.....	92
Adjusting fax activity report settings.....	92
Printing fax reports.....	93
Sending a fax at a specified time.....	93
Enabling Color Fax.....	93
Limiting access to fax and scan operations.....	94
Limiting who can send faxes to the printer.....	94
Customizing dial settings.....	95
Setting the dialing mode	95
Adjusting the volume.....	95
Setting up to fax while behind a PBX	95
Setting the time delay before receiving a fax automatically	96
Customizing the default fax settings from the printer control panel.....	96

Adjusting the fax resolution	96
Selecting the type of document being faxed.....	96
Making a fax lighter or darker	97
Setting the delayed start time.....	97
Customizing the fax settings for an individual fax job.....	97
Clearing jams.....	98
Avoiding jams.....	98
Understanding jam messages and locations.....	98
Clearing Tray 1 (MPT) jams.....	100
Clearing Tray 2 jams.....	104
Clearing Tray 3 jams.....	109
Clearing jams in the fuser.....	113
Clearing jams in the duplex unit.....	116
Clearing jams in the ADF.....	119
Understanding printer menus.....	122
Menus list.....	122
Default Settings Menu.....	122
Copy Defaults menu	122
Scan Defaults menu	125
Fax Defaults menu.....	127
Tray Settings menu.....	128
Tray 1 (MPT) menu.....	128
Tray 2 menu	129
Tray 3 menu	129
Information Pages menu.....	130
Billing Meters menu.....	131
Admin Menu.....	131
Address Book menu.....	131
Print Language menu.....	132
Network Settings menu.....	134
Parallel Settings menu	136
USB Settings menu.....	136
Fax Settings menu	136
System Settings menu	140
Maintenance menu	144
Secure Settings menu	145
Admin Reports menu	146
Scan to Email menu	146
Panel Language Menu.....	147

Understanding printer messages.....	148
List of status and error messages.....	148
Maintaining the printer.....	160
Storing supplies.....	160
Cleaning the printer.....	160
Cleaning the exterior of the printer	160
Cleaning the scanner glass.....	161
Ordering supplies.....	161
Ordering print cartridges	161
Ordering a fuser.....	162
Ordering a transfer belt	162
Moving the printer.....	162
Before moving the printer	162
Locking the scanner.....	163
Removing the printer from the 550-sheet drawer	164
Moving the printer to another location.....	167
Setting the printer up in a new location	167
Adjusting the color registration.....	168
Adjusting the color registration automatically	168
Adjusting the color registration manually.....	168
Administrative support.....	170
Locking the administrator menus.....	170
Adjusting Power Saver.....	170
Setting the Auto Reset.....	171
Using the Embedded Web Server.....	171
Creating an administrator password for the Embedded Web Server.....	172
Creating e-mail alerts.....	172
Troubleshooting.....	173
Online customer support.....	173
Checking an unresponsive printer.....	173
Solving printing problems.....	173
Multiple-language PDFs do not print.....	173
Printer control panel display is blank	173
Jobs do not print.....	174
Job takes longer than expected to print.....	174
Tray linking does not work.....	174
Unexpected page breaks occur.....	175

Solving copy problems.....	175
Copier does not respond	175
Scanner unit does not close.....	175
Poor copy quality.....	175
Partial document or photo copies.....	177
Solving scan problems.....	177
Scanner does not respond	177
Scan was not successful	177
Scanning takes too long or freezes the computer.....	178
Poor scanned image quality	178
Partial document or photo scans.....	179
Cannot scan from a computer	179
Solving fax problems.....	179
Cannot send or receive a fax.....	179
Can send but not receive faxes.....	181
Can receive but not send faxes.....	181
Received fax has poor print quality.....	182
Solving option problems.....	182
Option does not operate correctly or quits after it is installed	182
Drawers.....	183
Solving paper feed problems.....	183
Paper frequently jams	183
Paper jam message remains after jam is cleared	183
Solving print quality problems.....	184
Repeating defects.....	184
Color misregistration.....	184
Light colored line, white line, or incorrectly colored line.....	185
Streaked vertical lines	186
Print is too light	186
Print irregularities	187
Print is too dark.....	187
Transparency print quality is poor.....	188
Uneven print density.....	188
Incorrect margins.....	188
Skewed print.....	188
Blank pages.....	189
Clipped images.....	189
Solid color pages.....	190
Paper curl.....	190
Toner specks.....	190
Toner rubs off.....	191
FAQ about color printing.....	191
Contacting Customer Support.....	192

Contents

Notices	193
Edition notice.....	193
Power consumption.....	201
Index	205

Safety information

Connect the power supply cord to a properly grounded electrical outlet that is near the product and easily accessible. Use only a 26 AWG or larger telecommunications (RJ-11) cord when connecting this product to the public switched telephone network.

Refer service or repairs, other than those described in the user documentation, to a professional service person.

This product is designed, tested, and approved to meet strict global safety standards with the use of specific Lexmark components. The safety features of some parts may not always be obvious. Lexmark is not responsible for the use of other replacement parts.



CAUTION—SHOCK HAZARD: Make sure that all external connections (such as Ethernet and telephone system connections) are properly installed in their marked plug-in ports.

This product uses a laser.



CAUTION—POTENTIAL INJURY: Use of controls or adjustments or performance of procedures other than those specified herein may result in hazardous radiation exposure.

This product uses a printing process that heats the print media, and the heat may cause the media to release emissions. You must understand the section in your operating instructions that discusses the guidelines for selecting print media to avoid the possibility of harmful emissions.

This product contains a lithium battery.



CAUTION—POTENTIAL INJURY: There is a risk of explosion if the battery is replaced with an incorrect type. Discard used batteries according to the battery manufacturer's instructions and local regulations.

This product contains mercury in the lamp (<5mg Hg). Disposal of mercury may be regulated due to environmental considerations. For disposal or recycling information, contact your local authorities or the Electronic Industries Alliance: www.eiae.org.

This symbol indicates the presence of a hot surface or component.

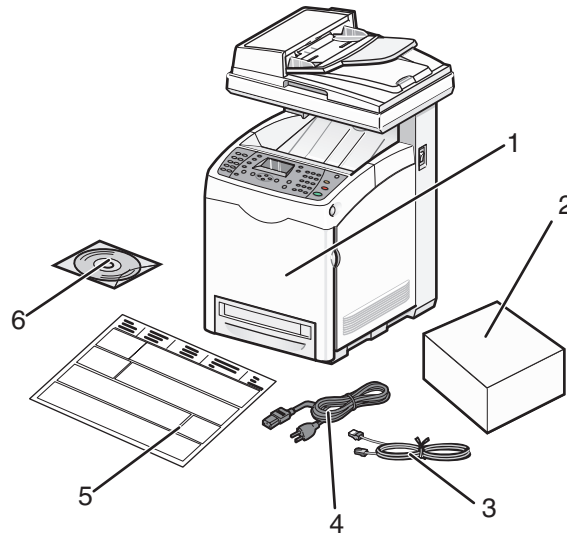


CAUTION—HOT SURFACE: To reduce the risk of injury from a hot component, allow the surface to cool before touching it.

Learning about the printer

Checking the box contents

The following illustration shows the items included with the printer.

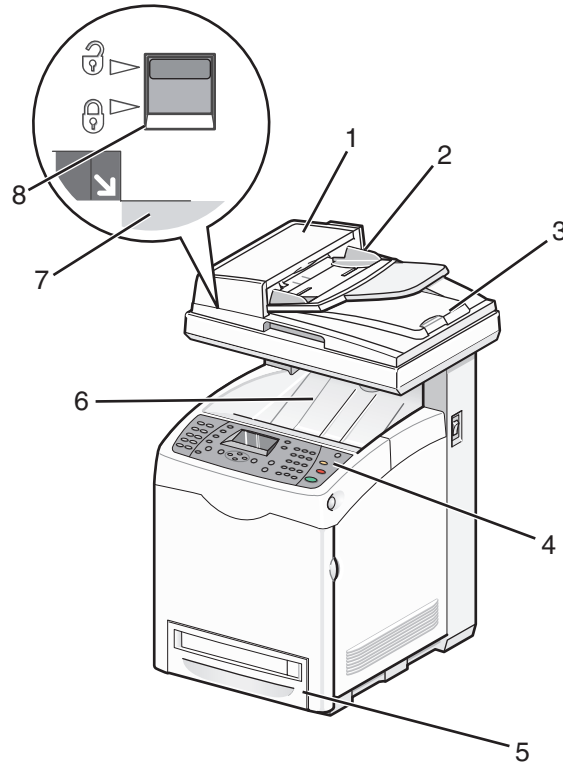


1	Printer
2	Print cartridges
3	Phone cord
4	Power cable
5	Setup sheet
6	<i>Software and Documentation CD</i>

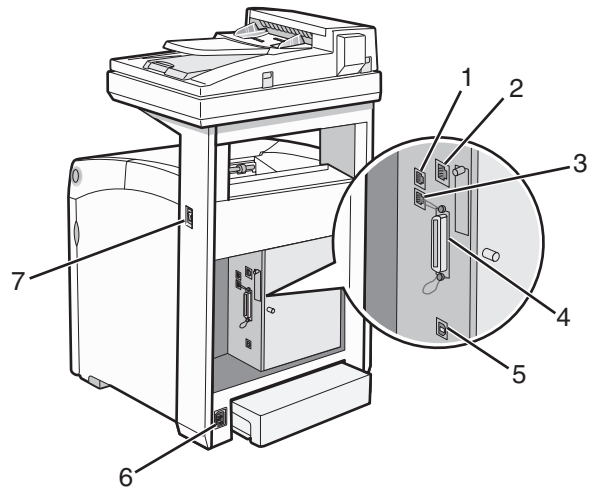
Printer configurations

Basic model

The following illustrations show the basic printer model.



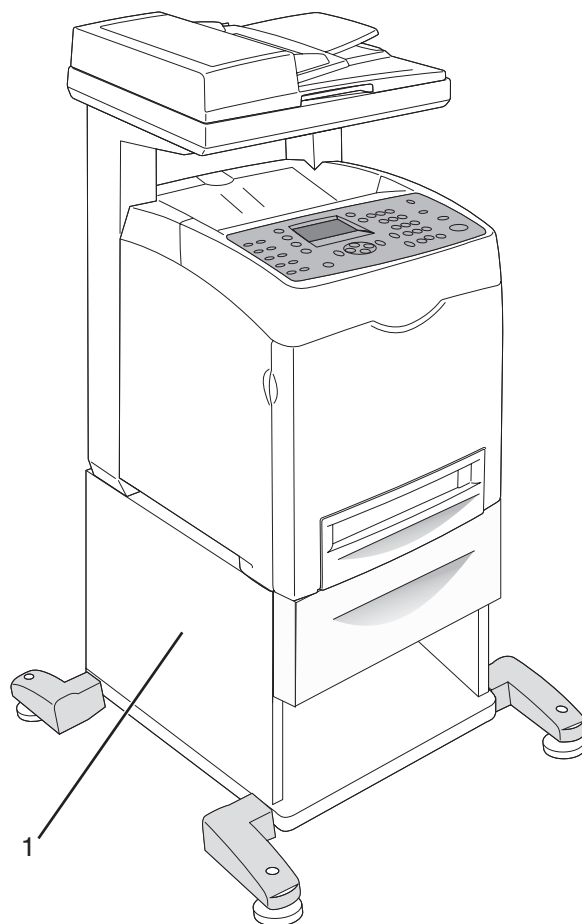
1	Automatic Document Feeder (ADF)
2	Paper guides
3	Scanner cover
4	Printer control panel
5	Standard 250-sheet tray (Tray 2)
6	Standard exit bin
7	Scanner glass
8	Scanner lock



1	LINE port
2	Ethernet port
3	EXT port
4	Parallel port
5	USB port
6	Power supply port
7	Power switch

Fully configured model

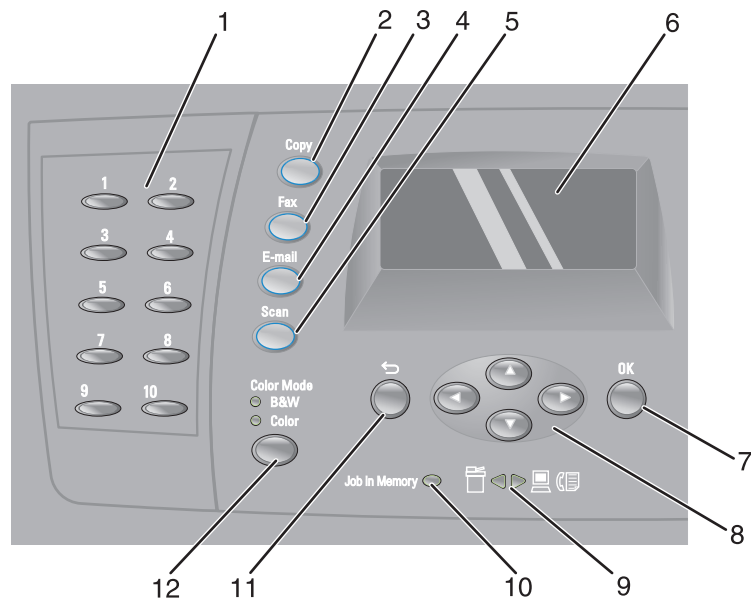
The following illustration shows the fully configured printer model. The basic model can be fully configured by adding a 550-sheet drawer.




1

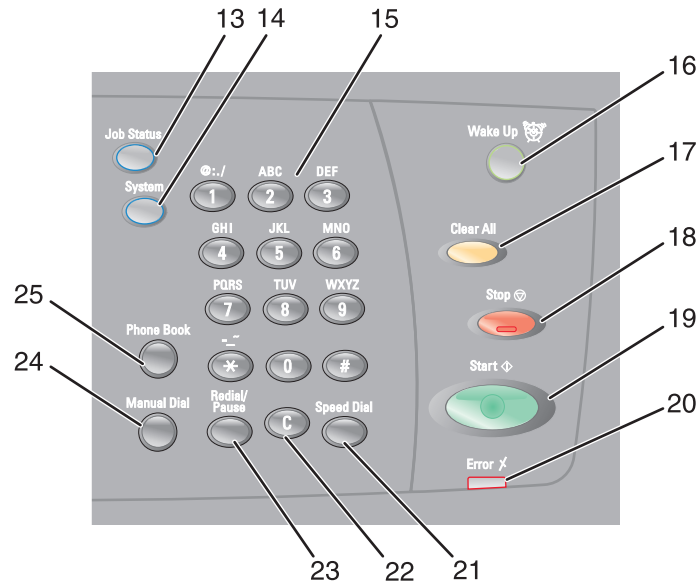
Optional 550-sheet drawer (Tray 3)



Understanding the printer control panel



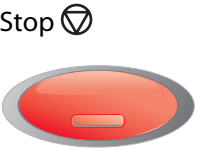
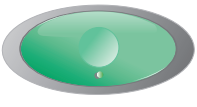

Printer control panel item		Description
1	Quick access panel	The buttons on the quick access panel provide direct access to pre-programmed fax numbers. Up to 10 entries can be stored in the Quick Dial directory for one-touch access to fax numbers. Note: You can set up Quick Dial entries using the printer control panel, the Embedded Web Server, or Address Book Editor.
2	Copy	Activate Copy mode.
3	Fax	Activate Fax mode.
4	E-Mail	Activate Email mode.
5	Scan	Activate Scan mode.
6	Display	Shows messages describing the current state of the printer and indicating possible printer problems you must resolve
7	OK	Accept menu selections and settings.
8	Navigation buttons	<ul style="list-style-type: none"> Press ▲ or ▼ to scroll through menu lists. Press ◀ to scroll backwards through the menus, or to display the Walk-Up Features menu. Press ▶ to scroll forward through the menus.
9	Arrow lights	Indicate the flow of data either into or out of the printer.
10	Job indicator light	When illuminated, it indicates that there is a fax job in the printer memory.

Printer control panel item		Description
11	Back 	Return to the previous menu.
12	Color Mode	Switches between Color and B&W (black-and-white) modes for your copy, fax, or scan job




Control panel item		Description
13	Job Status	Press to check active job status and Walk-Up printing jobs.
14	System	Switches the display to the Setup menu
15	Keypad	In Copy mode: Enter the number of copies or prints you want to make. In Fax mode: <ul style="list-style-type: none"> • Enter fax numbers. • Select letters when creating a Speed Dial list. • Type numbers to enter or edit the date and time shown on the display.
16	Wake Up 	This light is on in power saver mode. Push Wake Up to exit power saver mode. Note: While the printer is in power saver mode, no other printer control panel functions will work.
17	Clear All 	Press once to return to the main menu. All job settings are reset to factory default settings.

Learning about the printer

Control panel item		Description
18	Stop 	Reset the printer when performing an action.
19	Start 	Press to start a copy, scan, or fax job.
20	Error	The red light indicates an error condition.
21	Speed Dial	Press to access directories of group or individual fax telephone numbers.
22	Clear button 	Deletes a single character each time the button is pressed. Use this button when entering e-mail addresses and telephone numbers.
23	Redial/Pause	<ul style="list-style-type: none"> • Dial the last fax number entered (redial). • Insert a pause in the number to be dialed to wait for an outside line or get through an automated answering system.
24	Manual Dial	When faxing, you can press this button to quickly enter a fax number with the alphanumeric keypad.
25	Phone Book	Press to access the Fax and Email address books.

Getting the printer ready to fax

The following connection methods may not be applicable in all countries or regions.

 **CAUTION—SHOCK HAZARD:** Do not use the fax feature during a lightning storm. Do not set up this product or make any electrical or cabling connections, such as the power supply cord or telephone, during a lightning storm.

Choosing a fax connection

You can connect the printer with equipment such as a telephone, an answering machine, or a computer modem.

Note: The printer is an analog device that works best when directly connected to the wall jack. Other devices (such as a telephone or answering machine) can be successfully attached to pass through the printer, as described in the setup steps. If you want a digital connection such as ISDN, DSL, or ADSL, a third-party device (such as a DSL filter) is required.

You *do not* need to attach the printer to a computer, but you *do* need to connect it to a telephone line to send and receive faxes.

You can connect the printer to other equipment. See the following table to determine the best way to set up the printer.

Equipment	Benefits
<ul style="list-style-type: none"> • The printer • A telephone cord 	Send and receive faxes without using a computer.
<ul style="list-style-type: none"> • The printer • A telephone • Two telephone cords 	<ul style="list-style-type: none"> • Use the fax line as a normal telephone line. • Send and receive faxes without using a computer.
<ul style="list-style-type: none"> • The printer • A telephone • An answering machine • Three telephone cords 	Receive both incoming voice messages and faxes.
<ul style="list-style-type: none"> • The printer • A telephone • A computer modem • Three telephone cords 	Send faxes using the computer or the printer.

Using an RJ11 adapter

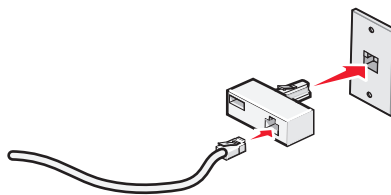
Country/region

- | | |
|---|--|
| <ul style="list-style-type: none"> • United Kingdom • Ireland • Finland • Norway • Denmark | <ul style="list-style-type: none"> • Italy • Sweden • Netherlands • France • Portugal |
|---|--|

To connect your printer to an answering machine, telephone, or other telecommunications equipment, use the telephone line adapter included in the box with the printer in some countries or regions.

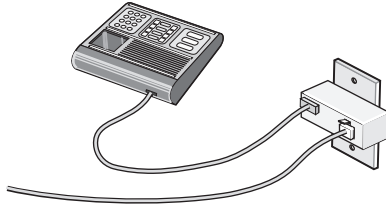
Note: If you have DSL, do not connect the printer using a splitter because the fax feature may not work correctly.

- 1 Connect the adapter to the telephone cord that came with the printer.




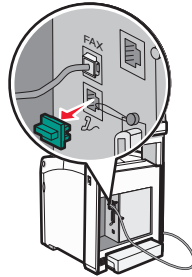
Note: The UK adapter is shown. Your adapter may look different, but it will fit the telephone outlet used in your location.

2 Connect the telephone line of your chosen telecommunications equipment to the left outlet of the adapter.

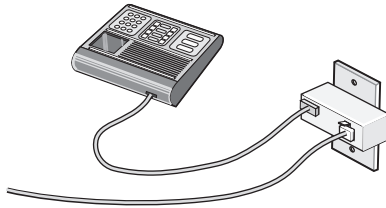


If your telecommunications equipment uses a US-style (RJ11) telephone line, follow these steps to connect the equipment:

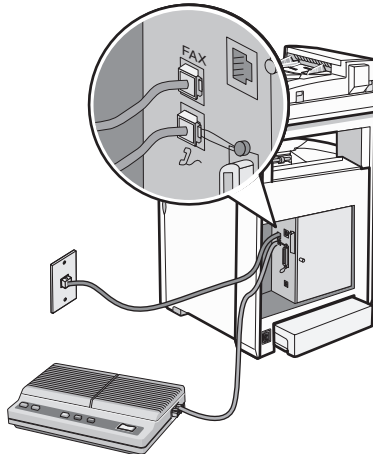
1 Remove the plug from the EXT port  on the back of the printer.



Note: Once this plug is removed, any country- or region-specific equipment you connect to the printer by the adapter, as shown, will not function properly.



2 Connect your telecommunications equipment directly to the EXT port  on the back of the printer.



Warning—Potential Damage: Do not touch cables or the printer in the area shown while actively sending or receiving a fax.

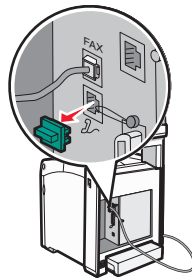



Country/region

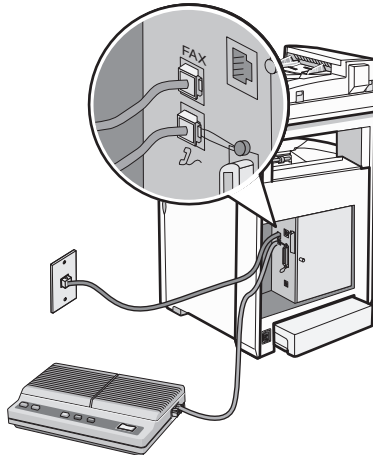
- Saudi Arabia
- United Arab Emirates
- Egypt
- Bulgaria
- Czech Republic
- Belgium
- Australia
- South Africa
- Greece
- Israel
- Hungary
- Poland
- Romania
- Russia
- Slovenia
- Spain
- Turkey

To connect a telephone, an answering machine, or other telecommunications equipment to the printer:

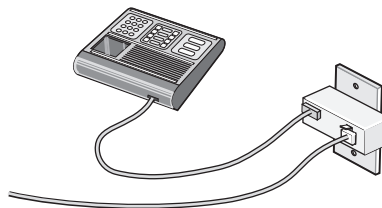
- 1 Remove the plug from the back of the printer.



2 Connect your telecommunications equipment directly to the EXT port  on the back of the printer.




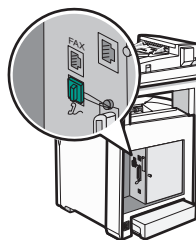
Note: Once this plug is removed, any country- or region-specific equipment that you connect to the printer by the adapter, as shown, will not function properly.



Country/region

- Germany
- Austria
- Switzerland

There is a plug installed in the EXT port  of the printer. This plug is necessary for the proper functioning of the printer.

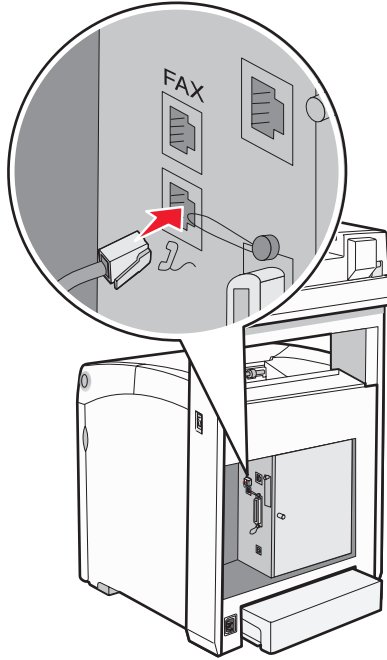


Note: Do not remove the plug. If you remove it, other telecommunications devices in your home (such as telephones or answering machines) may not work.

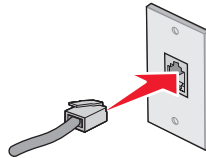
Connecting directly to a telephone wall jack

Connect the printer directly to a telephone wall jack to make copies or to send and receive faxes without using a computer.

- 1 Make sure you have a telephone cord and a telephone wall jack.
- 2 Connect one end of the telephone cord into the FAX port of the printer.



- 3 Connect the other end of the telephone cord into an active telephone wall jack.



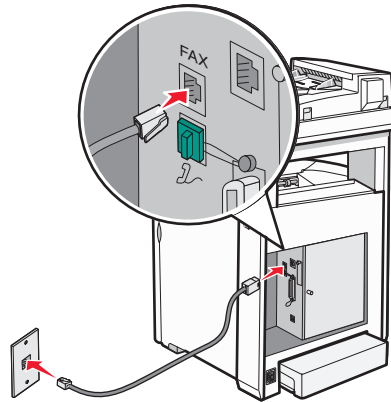
Connecting to a telephone

Connect a telephone to the printer to use the fax line as a normal telephone line. Then set up the printer wherever your telephone is located to make copies or to send and receive faxes without using a computer.

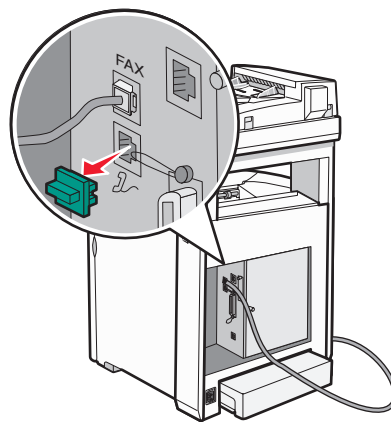
Note: Setup steps may vary depending on your country or region.

- 1 Make sure you have the following:
 - A telephone
 - Two telephone cords
 - A telephone wall jack

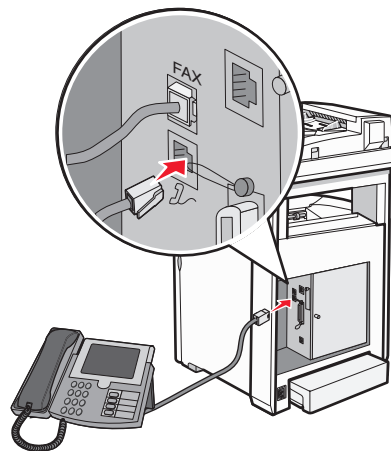
2 Connect one telephone cord to the FAX port of the printer, and then plug it into an active telephone wall jack.



3 Remove the protective plug from the EXT port of the printer.



4 Connect the other telephone cord to a telephone, and then plug it into the EXT port of the printer.



Connecting to an answering machine

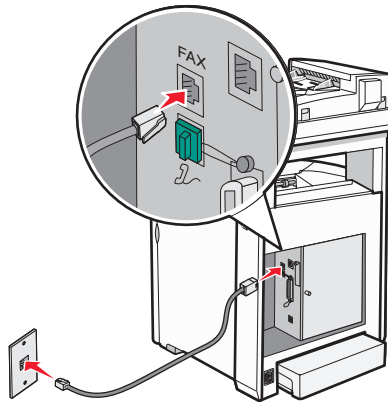
Connect an answering machine to the printer to receive both incoming voice messages and faxes.


Note: Setup steps may vary depending on your country or region.

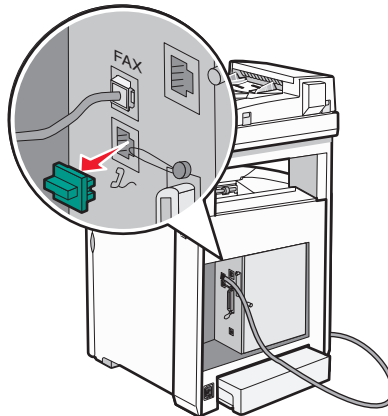
1 Make sure you have the following:

- A telephone
- An answering machine
- Three telephone cords
- A telephone wall jack

2 Connect one telephone cord into the FAX port of the printer, and then plug it into an active telephone wall jack.




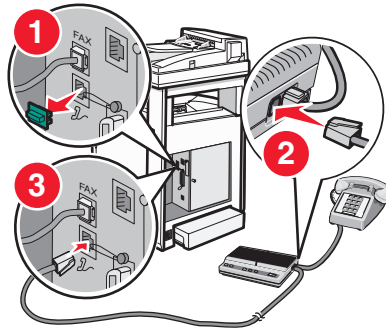
3 Remove the protective plug from the EXT port  of the printer.



4 Connect a second telephone cord from the telephone to the answering machine.



5 Connect a third telephone cord from the answering machine to the EXT port  of the printer.



Connecting to a computer with a modem

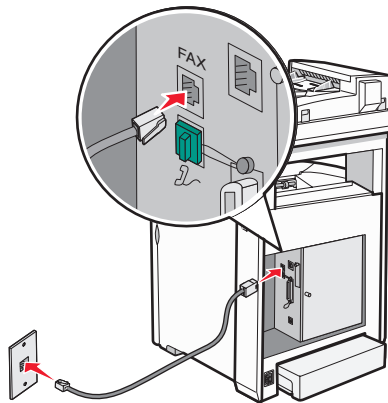
Connect the printer to a computer with a modem to send faxes from the software program.

Note: Setup steps may vary depending on your country or region.

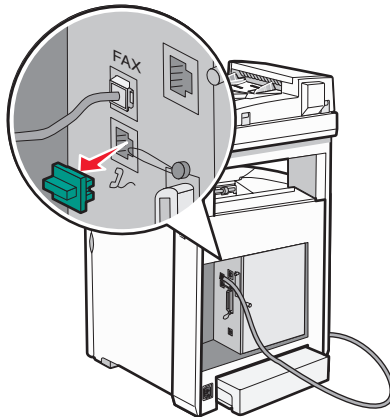
1 Make sure you have the following:

- A telephone
- A computer with a modem
- Three telephone cords
- A telephone wall jack

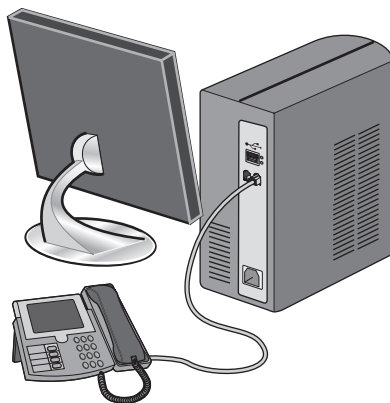
2 Connect a telephone cord into the FAX port of the printer, and then plug it into an active telephone wall jack.



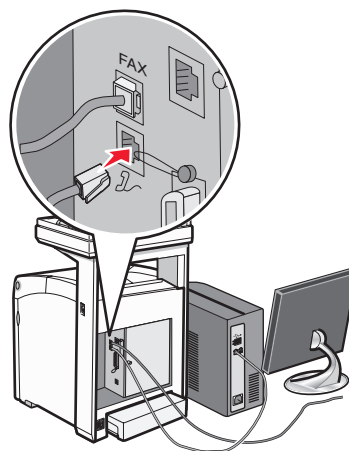
3 Remove the protective plug from the EXT port  of the printer.



4 Connect a second telephone cord from the telephone to the computer modem.



5 Connect a third telephone cord from the computer modem to the EXT port  of the printer.



Setting the outgoing fax name and number

- 1 Make sure the printer is on and **Select Function** appears.
- 2 From the printer control panel, press **System**.
- 3 Press **▲** or **▼** repeatedly until **Admin Menu** appears, and then press **OK**.

Learning about the printer

- 4 Press ▲ or ▼ repeatedly until **Fax Settings** appears, and then press **OK**.
- 5 Press ▲ or ▼ repeatedly until **Your Fax Number** appears, and then press **OK**.
- 6 Use the keypad to enter the fax number, and then press **OK**.
- 7 Press ▲ or ▼ repeatedly until **Company Name** appears, and then press **OK**.
- 8 Use the keypad to type the user name, and then press **OK**.
- 9 Press ⏪ repeatedly until **Select Function** appears.

Setting the country code

- 1 Make sure the printer is on and **Select Function** appears.
- 2 From the printer control panel, press **System**.
- 3 Press ▲ or ▼ repeatedly until **Admin Menu** appears, and then press **OK**.
- 4 Press ▲ or ▼ repeatedly until **Fax Settings** appears, and then press **OK**.
- 5 Press ▲ or ▼ repeatedly until **Country** appears, and then press **OK**.
- 6 Press ▲ or ▼ repeatedly to select the country or region, and then press **OK**.
- 7 Press ▲ or ▼ repeatedly until **Yes** appears, and then press **OK**.

The printer automatically restarts, and then **Select Function** appears.

Notes:

- After the country code is changed, the Fax and Address Book settings are cleared.
- If your country or region is not listed in the Country menu, use the following table to determine which country or region to select:

If you live in	Select
Algeria	France
Austria	France
Barbados	United States
Belarus	United States
Bulgaria	France
Columbia	United States
Costa Rica	United States
Croatia	France
Cyprus	France
Ecuador	United States
Egypt	France
El Salvador	United States
Estonia	France

If you live in	Select
Finland	France
Greece	France
Guam	United States
Guatemala	United States
Honduras	United States
Hungary	France
Iceland	France
Israel	France
Jordan	France
Kuwait	France
Latvia	France
Lebanon	France
Liechtenstein	France
Lithuania	France
Malaysia	Brazil
Malta	United States
Morocco	France
Nicaragua	United States
Nigeria	France
Norway	France
Oman	France
Panama	United States
Paraguay	United States
Peru	United States
Portugal	France
Puerto Rico	United States
Qatar	France
Romania	France
Saudi Arabia	France
Serbia Montenegro	France
Senegal	France
Singapore	United States
Slovakia	France

If you live in	Select
Slovenia	France
Sri Lanka	France
Trinidad and Tobago	United States
Tunisia	France
United Arab Emirates	France
Uruguay	United States
Venezuela	United States
Vietnam	France
Virgin Islands	United States

Setting the date

You can set the date so that the correct date is printed on every fax you send. If there is a power failure, you may have to reset the date. To set the date:

- 1 Make sure the printer is on and **Select Function** appears.
- 2 From the printer control panel, press **System**.
- 3 Press ▲ or ▼ repeatedly until **Admin Menu** appears, and then press **OK**.
- 4 Press ▲ or ▼ repeatedly until **System Settings** appears, and then press **OK**.
- 5 Press ▲ or ▼ repeatedly until **Clock Settings** appears, and then press **OK**.
- 6 Press ▲ or ▼ repeatedly until **Set Date** appears, and then press **OK**.
- 7 Use the keypad to enter the date, and then press ◀ or ▶ to move to the next digit. After the date is entered, press **OK**.
- 8 Press ↶ repeatedly until **Select Function** appears.

Setting the time

You can set the time so that the correct time is printed on every fax you send. If there is a power failure, you may have to reset the time. To set the time:

- 1 Make sure the printer is on and **Select Function** appears.
- 2 From the printer control panel, press **System**.
- 3 Press ▲ or ▼ repeatedly until **Admin Menu** appears, and then press **OK**.
- 4 Press ▲ or ▼ repeatedly until **System Settings** appears, and then press **OK**.
- 5 Press ▲ or ▼ repeatedly until **Clock Settings** appears, and then press **OK**.
- 6 Press ▲ or ▼ repeatedly until **Set Time** appears, and then press **OK**.

- 7 Use the keypad to enter the time, and then press ◀ or ▶ to move to the next digit. After the time is entered, press **OK**.
- 8 Press ↵ repeatedly until **Select Function** appears.

Understanding the fax and scan software

Understanding Address Book Editor

Address Book Editor provides a convenient interface for modifying the address book entries stored in the printer. With it you can create:

- Fax entries
- E-mail entries
- Server entries

When you start the program, if the printer is connected by way of a USB cable, the Address Book Editor reads the printer address book. You can create, edit, and delete entries. After making changes, you can then save the updated address book to the printer or to your computer.

Address Book Editor can be installed from the *Software and Documentation* CD. It is available for Windows and Macintosh.

Understanding Express Scan Manager

Express Scan Manager handles scan jobs sent from the printer to your computer by way of a USB cable. When the scan is sent from the printer to the computer, Express Scan Manager automatically manages the scan job.

Before scanning to your computer, you should start Express Scan Manager and configure the scan settings. You can specify settings for image type, resolution, paper size, and output destination.

Express Scan Manager can be installed from the *Software and Documentation* CD.

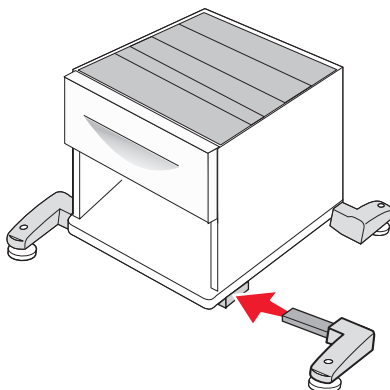
Installing options

Installing a 550-sheet drawer

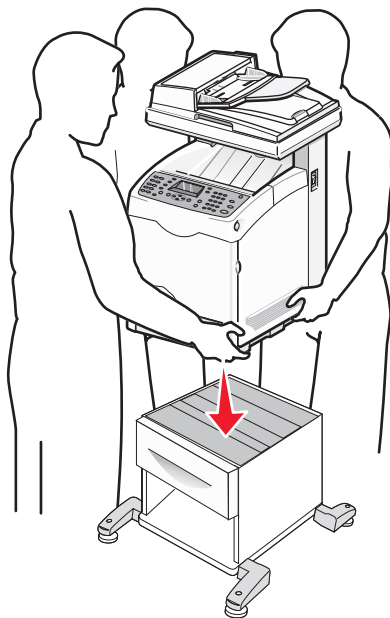
The printer supports one optional drawer which allows an additional 550 sheets of paper to be loaded.

⚠ CAUTION—SHOCK HAZARD: If you are installing a 550-sheet drawer after setting up the printer, turn the printer off, and unplug the power cord before continuing.

- 1 Unpack the 550-sheet drawer, and remove any packing material.
- 2 Install the stabilizer feet to the bottom corners of the drawer housing. Each foot is keyed to fit a specific corner.

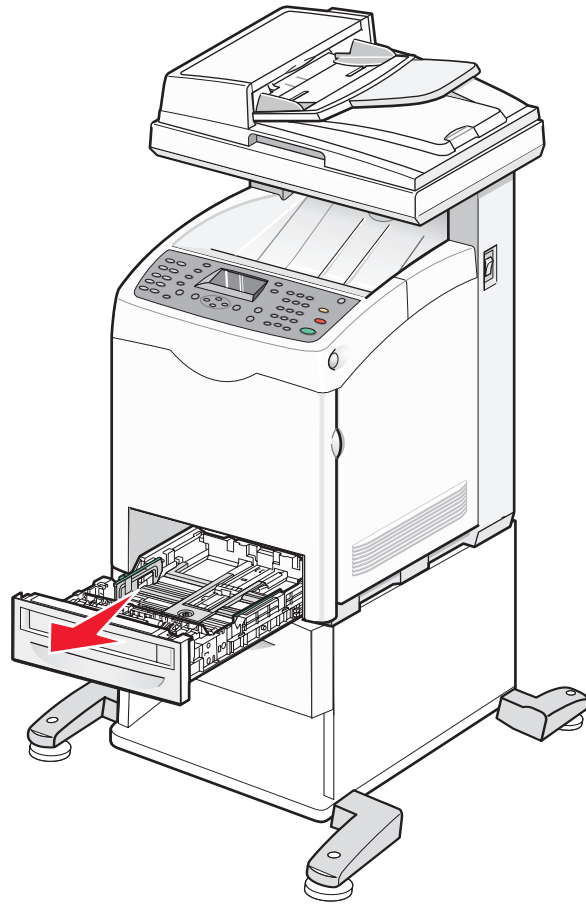


- 3 Place the drawer in the location chosen for the printer.
- 4 Align the printer with the 550-sheet drawer, and lower the printer into place.

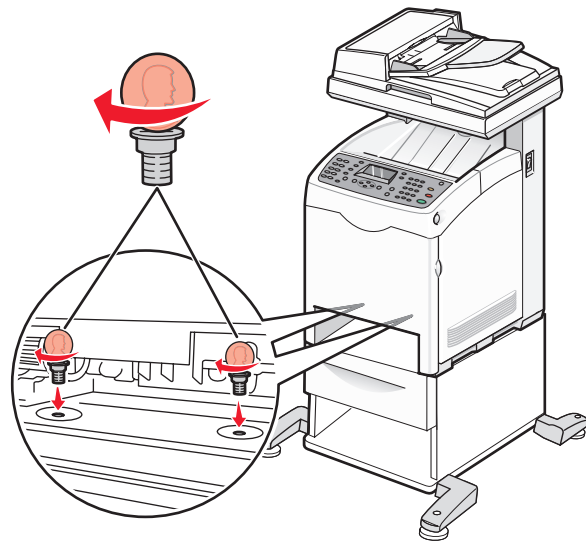


Securing the 550-sheet drawer to the printer

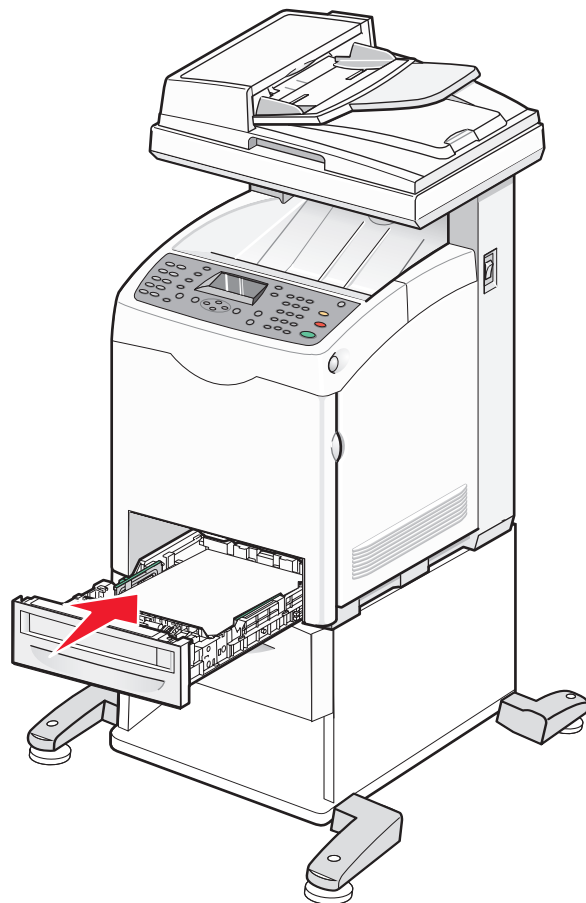
- 1 Grasp the handle, and pull the standard tray (Tray 2) out. Remove the tray completely.



- 2 Attach and tighten the two screws provided with the feeder with a coin or similar object.



3 Align the tray, and insert it.



Installing options

34

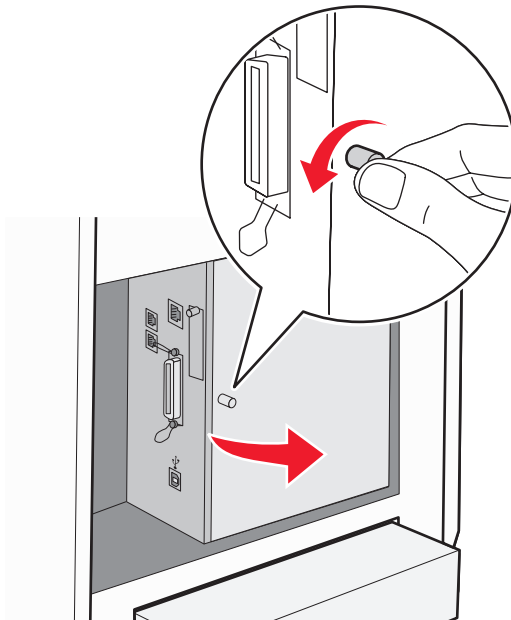
Installing a multi-protocol network card

The system board has one connection for an optional multi-protocol network card.

CAUTION—SHOCK HAZARD: If installing a network card after setting up the printer, turn the printer off, and unplug the power cord from the wall outlet before continuing.

Warning—Potential Damage: System board electrical components are easily damaged by static electricity. Touch something metal on the printer before touching any system board electronic components or connectors.

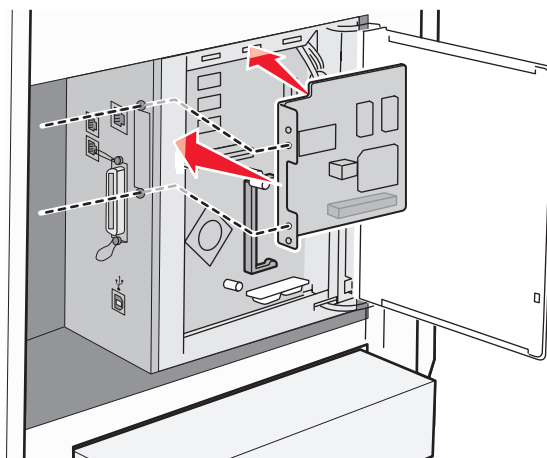
- 1 Access the system board.



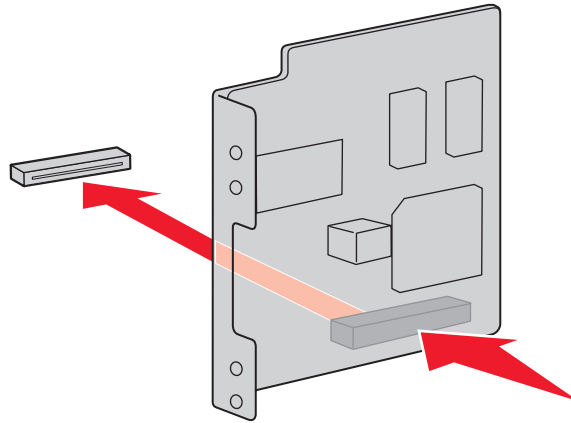
- 2 Unpack the network card.

Note: Avoid touching the connection points along the edge of the card.

- 3 Holding the network card by its sides, align the connector on the card with the connector on the system board.



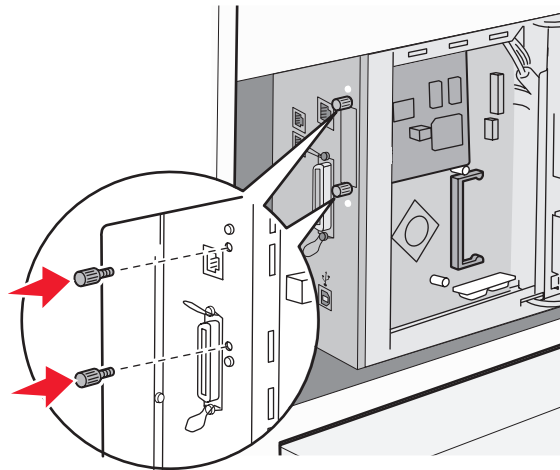
4 Push the card firmly into place.



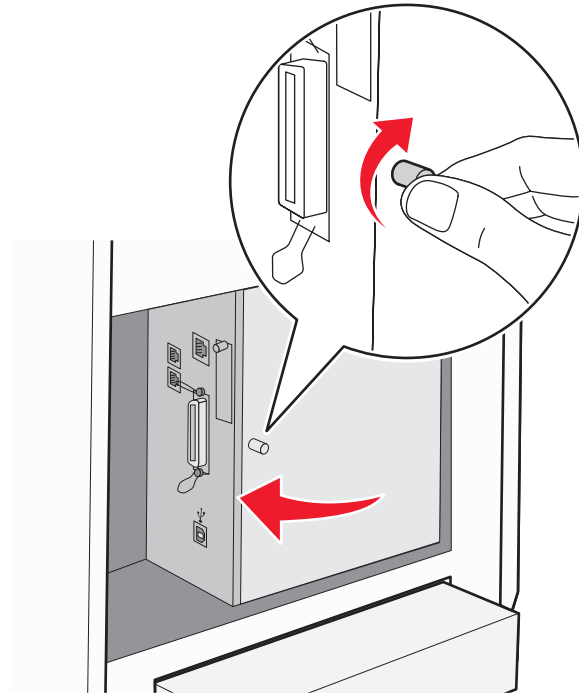
Notes:

- The entire length of the connector on the network card must touch and be flush against the system board.
- Be careful not to damage the connectors.

5 Attach the screws to hold the network card in place.



6 Close the system board cover.



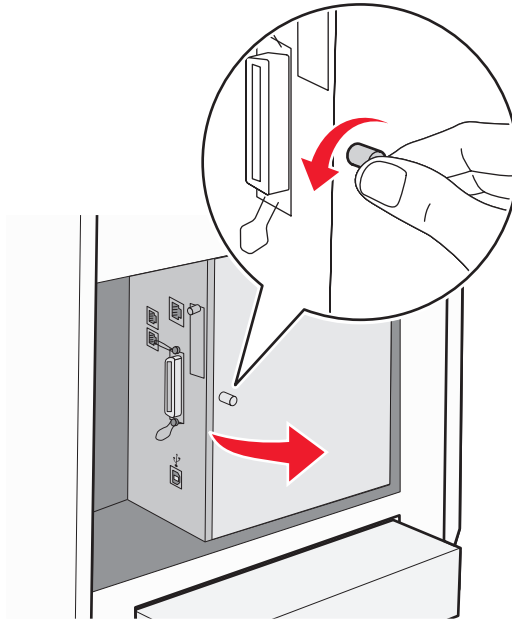
Installing a memory card

CAUTION—SHOCK HAZARD: If you are installing a memory card after setting up the printer, turn the printer off, and unplug the power cord from the wall outlet before continuing.

Warning—Potential Damage: System board electrical components are easily damaged by static electricity. Touch something metal on the printer before touching any system board electronic components or connectors.

An optional memory card can be purchased separately and attached to the system board. To install the memory card:

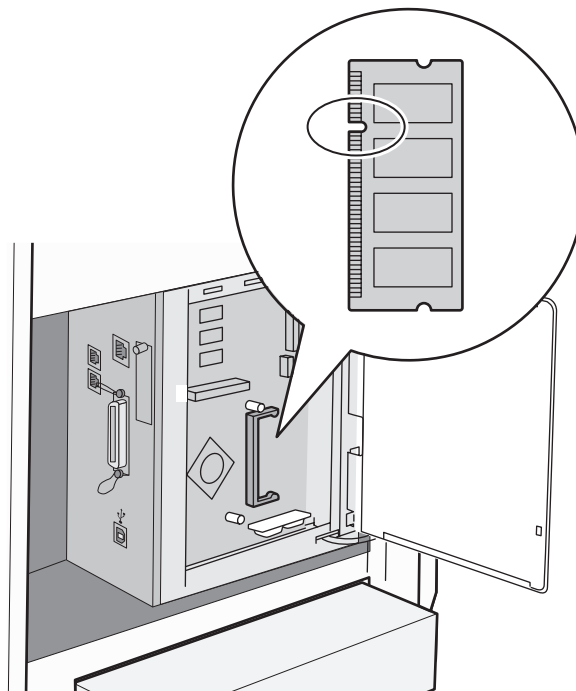
- 1 Access the system board.



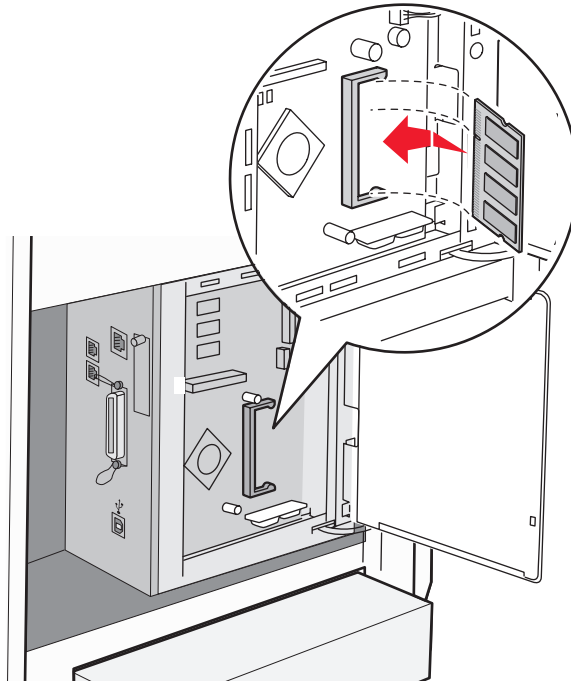
- 2 Unpack the memory card.

Note: Avoid touching the connection points along the edge of the card.

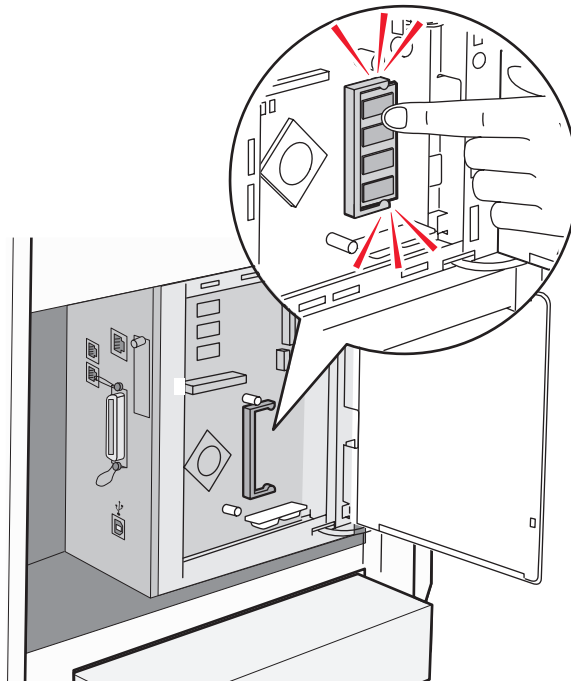
- 3 Align the notch on the memory card with the ridge on the connector.



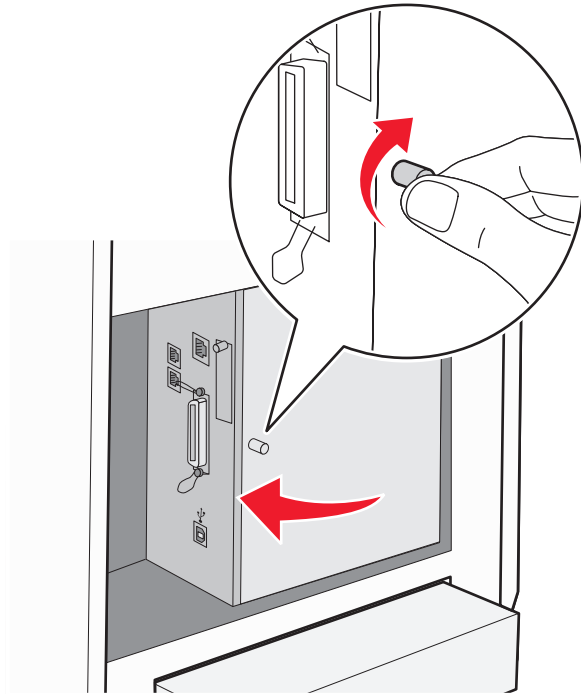
4 Insert the memory card into the slot.



5 Push the memory card back until it *snaps* into place.



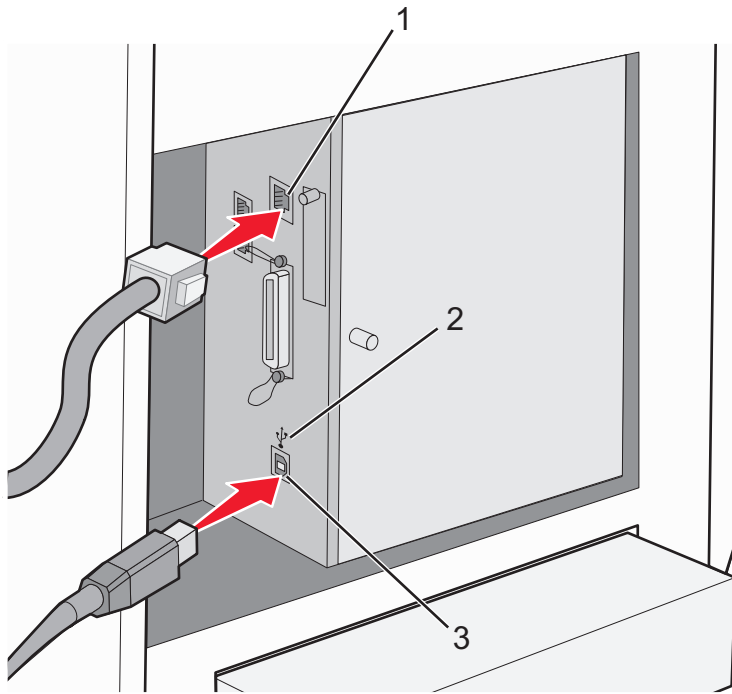
6 Close the system board cover.



Attaching cables

Connect the printer to the computer using a USB cable or an Ethernet cable.

- A USB port requires a USB cable. Be sure to match the USB symbol on the cable with the USB symbol on the printer.
- Connect the Ethernet cable to the Ethernet port shown.



1	Ethernet port
2	USB symbol
3	USB port

Loading paper and specialty media

This section shows how to load the multipurpose feeder (Tray 1), the 250-sheet tray (Tray 2), and the optional 550-sheet tray (Tray 3).

Loading Tray 1 (MPT)

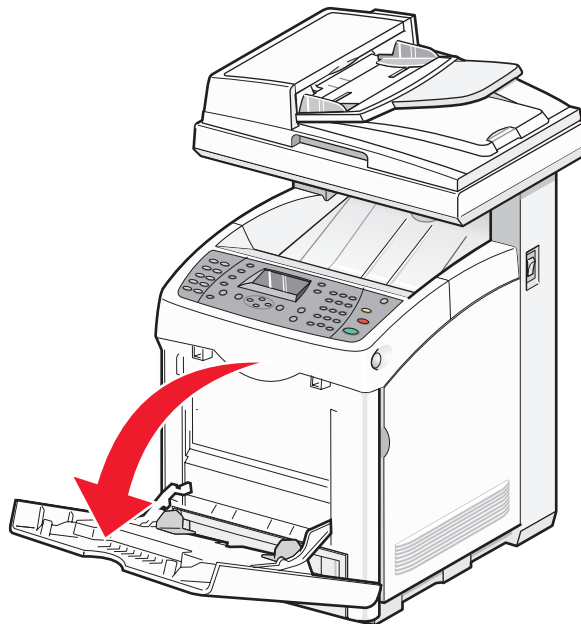
In addition to plain paper, Tray 1 (MPT) can use various other sizes and types of paper or specialty media, such as envelopes and transparencies.

Notes:

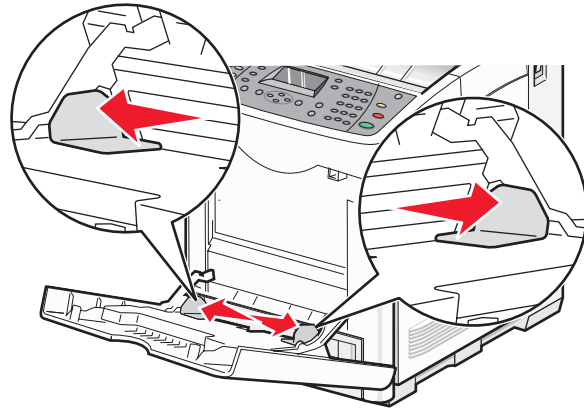
- Make sure Tray 2 is completely installed before opening Tray 1 (MPT).
- Load up to 150 sheets or a stack of paper that weighs 60–216 g/m² and is less than 15 mm (.59 in.) high. The minimum paper size supported is 76.2 x 127 mm (3 x 5 in.).
- Tray 1 (MPT) supports paper or specialty media within the following dimensions: 76.2 x 127 mm–220.0 x 355.6 mm (3 x 5 in.–8.66 x 14 in.).
- For duplex printing, you can load paper that is 64–163 g/m².
- Do not load different types of paper at the same time.
- Do not remove or add paper to Tray 1 (MPT) when printing, or if there is any paper still in the tray. Doing so may cause a paper jam.
- Do not put any objects other than paper in Tray 1 (MPT).
- Always load paper short edge first.

To load paper in Tray 1 (MPT):

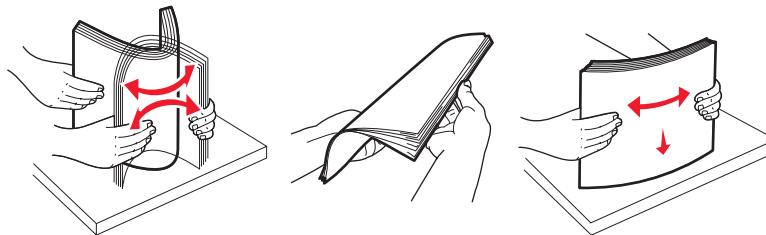
- 1 Gently pull open the Tray 1 (MPT) cover.



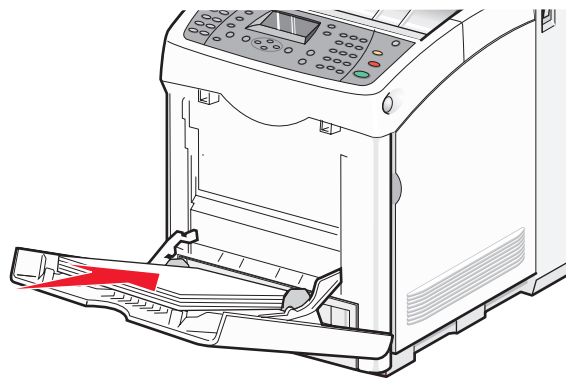
2 Slide the width guides to the edges of the tray. The width guides should be fully extended.



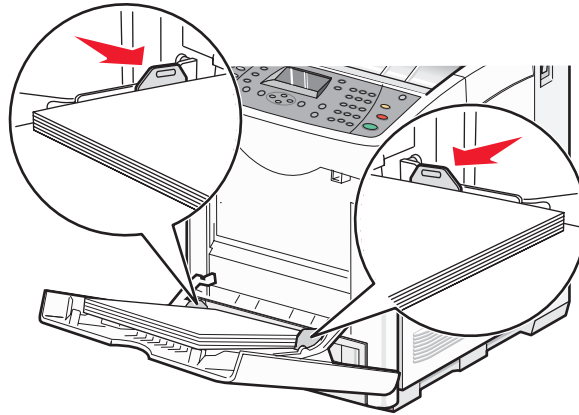
3 Flex the sheets back and forth to loosen them, and then fan them. Do not fold or crease the paper. Straighten the edges on a level surface.



4 Insert all paper or specialty media facedown and top edge first into Tray 1 (MPT).



- 5 Slide the width guides until they rest lightly against the edges of the paper stack.



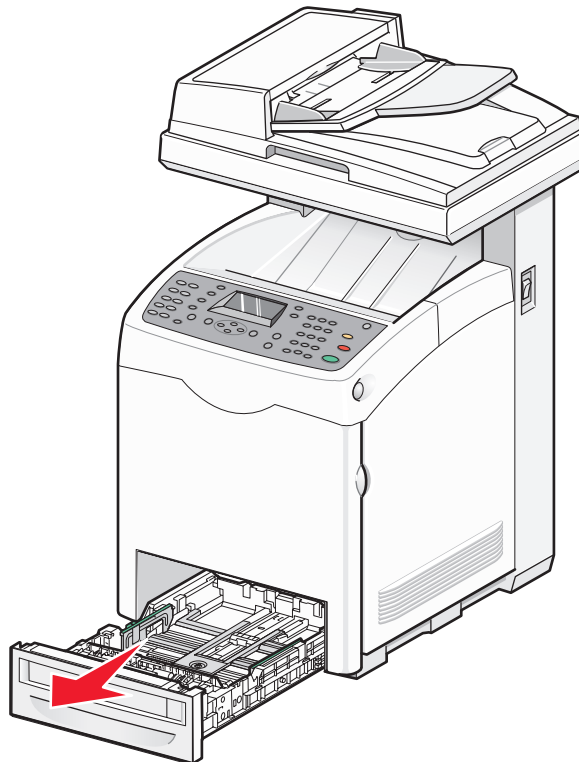
Loading Tray 2 and Tray 3

The printer has two trays to select from: the standard tray (Tray 2), also known as the 250-sheet tray, and the optional 550-sheet tray (Tray 3), which is part of the 550-sheet drawer and fits into the support unit. Proper paper loading prevents jams and facilitates trouble-free printing.

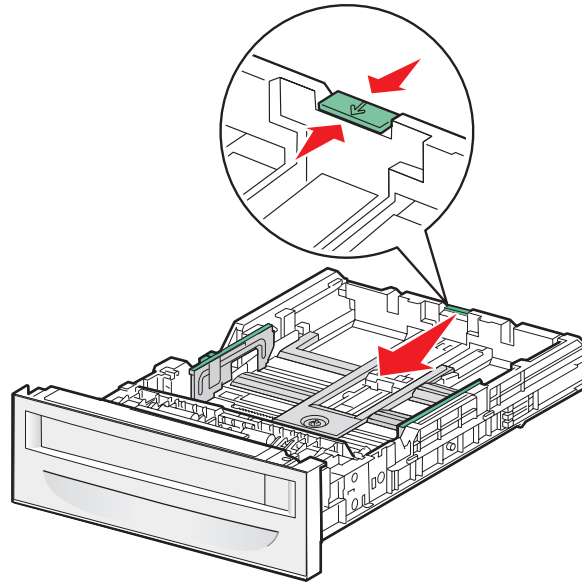
Load the standard tray or optional tray in the same way.

- 1 Grasp the handle, and pull the tray out. Remove the tray completely.

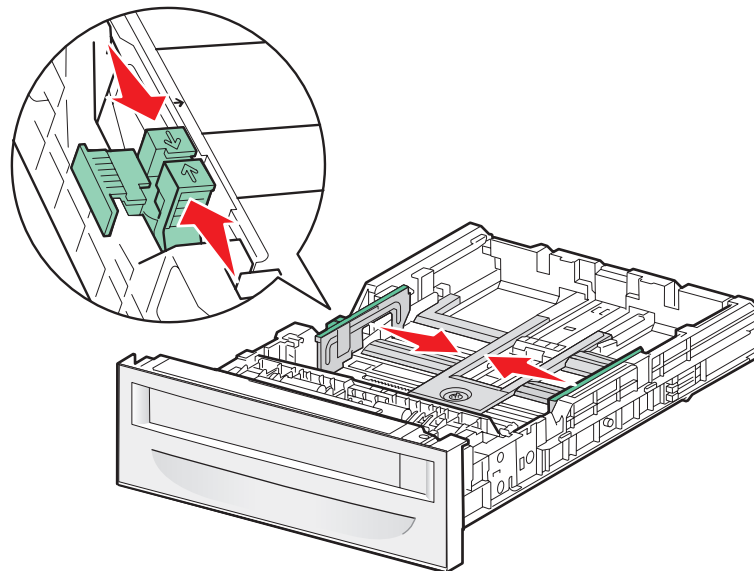
Note: Do not remove trays while a job prints. Doing so may cause a jam.



2 Squeeze the length guide tab as shown. Slide the guide to the correct position for the paper size being loaded.

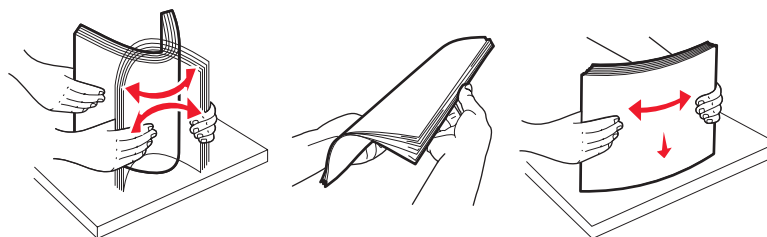


3 Squeeze the width guide tabs together as shown, and slide the width guide to the correct position for the paper size being loaded.



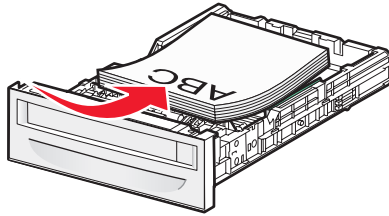
Note: Notice the load line label on the side of the tray which indicates the maximum stack height for your paper.

4 Flex the sheets back and forth to loosen them, and then fan them. Do not fold or crease the paper. Straighten the edges on a level surface.

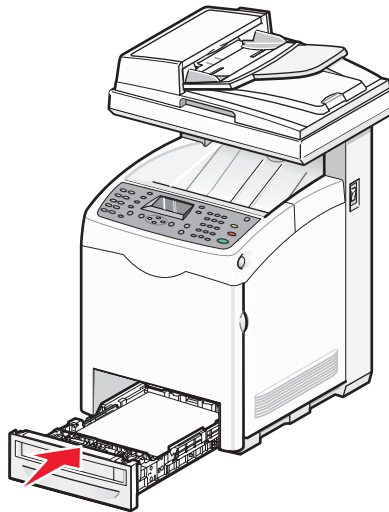


- 5 Load the paper stack with the recommended print side faceup. Load the stack toward the back of the tray as shown.

When loading preprinted letterhead, place the header toward the front of the tray.



- 6 Align the tray, and insert it.



Setting the Paper Type

- 1 Make sure the printer is on and **Select Function** appears.
- 2 From the printer control panel, press **System**.
- 3 Press **▲** or **▼** repeatedly until **Tray Settings** appears, and then press **OK**.
- 4 Press **▲** or **▼** repeatedly until the desired tray appears, and then press **OK**.
- 5 Press **▲** or **▼** repeatedly until **Paper Type** appears, and then press **OK**.
- 6 Press **▲** or **▼** repeatedly to select the desired paper type, and then press **OK**.
- 7 Press **↶** repeatedly until **Select Function** appears.

Linking trays

Tray linking enables the automatic linking feature for trays when the same size and type of paper is loaded in multiple sources. By linking trays, you can create a larger capacity for output. When Tray 2 is empty, paper automatically feeds from Tray 3 to finish printing.

To set up tray linking:

- Load both Tray 2 and Tray 3 with the same paper size and type.
- From Print Properties, change the Paper source to Auto select.
- Set Tray Switching to Nearest Size:
 - 1 From the printer control panel, press **System**.
 - 2 Press ▲ or ▼ repeatedly until **Admin Menu** appears, and then press **OK**.
 - 3 Press ▲ or ▼ repeatedly until **System Settings** appears, and then press **OK**.
 - 4 Press ▲ or ▼ repeatedly until **Tray Switching** appears, and then press **OK**.
 - 5 Press ▲ or ▼ repeatedly until **Nearest Size** appears, and then press **OK**.
 - 6 Press ↩ repeatedly until **Select Function** appears.

Paper and specialty media guide

Paper guidelines

When printing on specialty media, use the printer control panel to set the correct Paper Type.

Paper characteristics

The following paper characteristics affect print quality and reliability. Consider these characteristics when evaluating new paper stock.

Weight

The printer can automatically feed paper weights from 60 to 176 g/m² (16 to 47 lb bond) grain long. Paper lighter than 60 g/m² (16 lb) might not be stiff enough to feed properly, causing jams. For best performance, use 90 g/m² (24 lb bond) grain long paper. For paper smaller than 182 x 257 mm (7.2 x 10.1 in.), we recommend 90 g/m² or heavier paper.

Curl

Curl is the tendency for paper to curl at its edges. Excessive curl can cause paper feeding problems. Curl can occur after the paper passes through the printer, where it is exposed to high temperatures. Storing paper unwrapped in hot, humid, cold, or dry conditions, even in the trays, can contribute to paper curling prior to printing and can cause feeding problems.

Smoothness

Paper smoothness directly affects print quality. If paper is too rough, toner cannot fuse to it properly. If paper is too smooth, it can cause paper feeding or print quality issues. Always use paper between 100 and 300 Sheffield points; however, smoothness between 150 and 200 Sheffield points produces the best print quality.

Moisture content

The amount of moisture in paper affects both print quality and the ability of the printer to feed the paper correctly. Leave paper in its original wrapper until it is time to use it. This limits the exposure of paper to moisture changes that can degrade its performance.

Condition paper before printing by storing it in its original wrapper in the same environment as the printer for 24 to 48 hours before printing. Extend the time several days if the storage or transportation environment is very different from the printer environment. Thick paper may also require a longer conditioning period.

Grain direction

Grain refers to the alignment of the paper fibers in a sheet of paper. Grain is either *grain long*, running the length of the paper, or *grain short*, running the width of the paper.

For 60 to 90 g/m² (16 to 24 lb bond) paper, use grain long fibers.

Fiber content

Most high-quality xerographic paper is made from 100% chemically treated pulped wood. This content provides the paper with a high degree of stability resulting in fewer paper feeding problems and better print quality. Paper containing fibers such as cotton possesses characteristics that can negatively affect paper handling.

Unacceptable paper

The following paper types are not recommended for use with the printer:

- Chemically treated papers used to make copies without carbon paper, also known as carbonless papers, carbonless copy paper (CCP), or no carbon required (NCR) paper
- Preprinted papers with chemicals that may contaminate the printer
- Preprinted papers that can be affected by the temperature in the printer fuser
- Preprinted papers that require a registration (the precise print location on the page) greater than ± 2.3 mm (± 0.9 in.), such as optical character recognition (OCR) forms

In some cases, registration can be adjusted with a software application to successfully print on these forms.

- Coated papers (erasable bond), synthetic papers, thermal papers
- Rough-edged, rough or heavily textured surface papers, or curled papers
- Recycled papers that fail EN12281:2002 (European)
- Paper weighing less than 60 g/m^2 (16 lb)
- Multiple-part forms or documents

Selecting paper

Using appropriate paper prevents jams and helps ensure trouble-free printing.

To help avoid jams and poor print quality:

- *Always* use new, undamaged paper.
- Before loading paper, know the recommended print side of the paper. This information is usually indicated on the paper package.
- *Do not* use paper that has been cut or trimmed by hand.
- *Do not* mix paper sizes, types, or weights in the same source; mixing results in jams.
- *Do not* use coated papers unless they are specifically designed for electrophotographic printing.

Selecting preprinted forms and letterhead

Use these guidelines when selecting preprinted forms and letterhead:

- Use grain long for 60 to 176 g/m^2 weight paper.
- Use only forms and letterhead printed using an offset lithographic or engraved printing process.
- Avoid papers with rough or heavily textured surfaces.

Use papers printed with heat-resistant inks designed for use in xerographic copiers. The ink must be able to withstand temperatures up to 230°C (446°F) without melting or releasing hazardous emissions. Use inks that are not affected by the resin in toner. Inks that are oxidation-set or oil-based generally meet these requirements; latex inks might not. When in doubt, contact the paper supplier.

Preprinted papers such as letterhead must be able to withstand temperatures up to 180°C (381.6°F) without melting or releasing hazardous emissions.

Using recycled paper

As an environmentally conscious company, Lexmark supports the use of recycled office paper produced specifically for use in laser (electrophotographic) printers. In 1998, Lexmark presented to the US government a study demonstrating that recycled paper produced by major mills in the US fed as well as non-recycled paper. However, no blanket statement can be made that *all* recycled paper will feed well.

Lexmark consistently tests its printers with recycled paper (20–100% post-consumer waste) and a variety of test paper from around the world, using chamber tests for different temperature and humidity conditions. Lexmark has found no reason to discourage the use of today's recycled office papers, but generally the following property guidelines apply to recycled paper.

- Low moisture content (4–5%)
- Suitable smoothness (100–200 Sheffield units)
- Suitable sheet-to-sheet coefficient of friction (0.4–0.6)
- Sufficient bending resistance in the direction of feed

Recycled paper, paper of lower weight (<60 gm²/16 lb bond) and/or lower caliper (<3.8 mils/0.1 mm), and paper that is cut grain-short for portrait (or short-edge) fed printers may have lower bending resistance than is required for reliable paper feeding. Before using these types of paper for laser (electrophotographic) printing, consult your paper supplier. Remember that these are general guidelines only and that paper meeting these guidelines may still cause paper feeding problems.

Using letterhead

Check with the manufacturer or vendor to determine whether the chosen preprinted letterhead is acceptable for laser printers.

Page orientation is important when printing on letterhead. Use the following table for help when loading letterhead:

Paper source	Print side	Top of page
Tray 1 (250-sheet tray) and Tray 2 (Optional 550-sheet tray)	Letterhead faceup	Letterhead goes toward the front of the tray
Multipurpose Feeder	Letterhead facedown	Letterhead goes toward the front of the tray

Using transparencies

Print samples on the transparencies being considered for use before buying large quantities.

When printing on transparencies:

- From Print Properties or the printer control panel, set the Paper Type to Transparency.
 - Warning—Potential Damage:** Not setting the Paper Type to Transparency could damage the printer.
- Feed transparencies from the multipurpose feeder.
- Use transparencies designed specifically for laser printers. Check with the manufacturer or vendor to ensure transparencies are able to withstand temperatures up to 180°C (356°F) without melting, discoloring, offsetting, or releasing hazardous emissions.
- Use transparencies that are 0.12–0.14 mm (4.8–5.4 mil) in thickness or 161–179 g/m² in weight. Print quality and durability depend on the transparencies used.

- To prevent print quality problems, avoid getting fingerprints on the transparencies.
- Before loading transparencies, fan the stack to prevent sheets from sticking together.
- We recommend Lexmark part number 12A8240 for letter-size and Lexmark part number 12A8241 for A4-size transparencies.

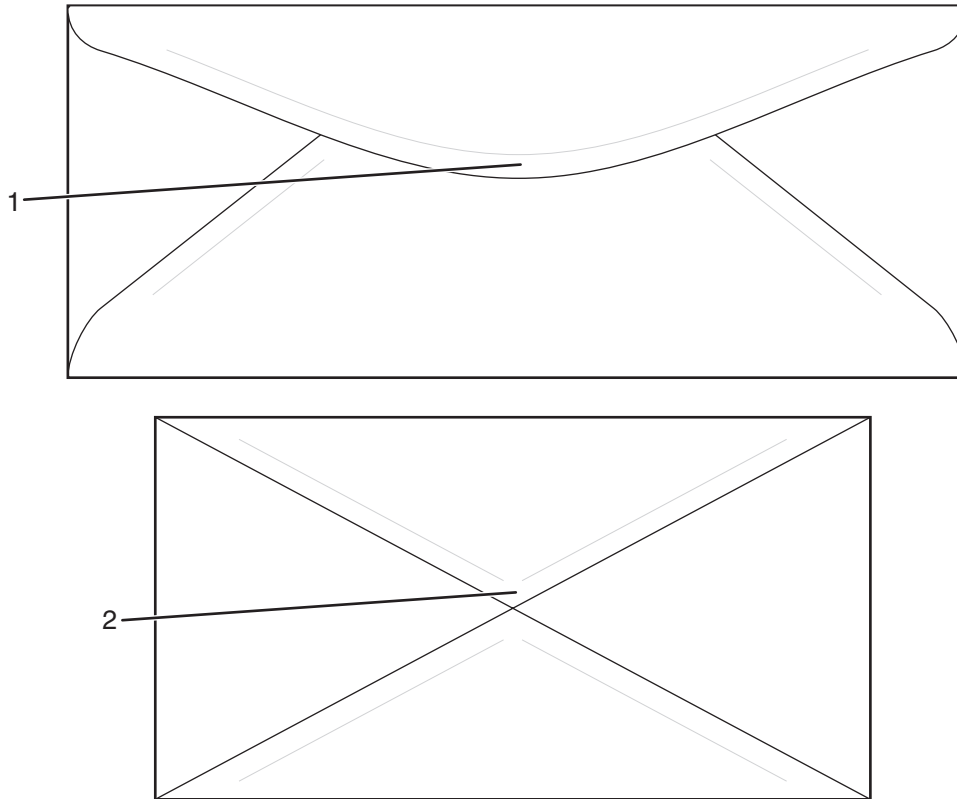
Using envelopes

Print samples on the envelopes being considered for use before buying large quantities.

When printing on envelopes:

- From Print Properties or the printer control panel, set the Paper Size and Paper Type.
- Use envelopes designed specifically for laser printers. Check with the manufacturer or vendor to ensure the envelopes can withstand temperatures up to 180°C (356°F) without sealing, wrinkling, curling excessively, or releasing hazardous emissions.
- For the best performance, use envelopes made from 90 g/m² (24 lb bond) paper. Use up to 105 g/m² (28 lb bond) weight for envelopes as long as the cotton content is 25% or less. All-cotton envelopes must not exceed 90 g/m² (24 lb bond) weight.
- Use only new envelopes.
- If wrinkling or smeared print occurs, use the Print Properties to rotate the orientation of the envelope by 180 degrees, and then try printing again.
- To optimize performance and minimize jams, do not use envelopes that:
 - Have excessive curl or twist
 - Are stuck together or damaged in any way
 - Have windows, holes, perforations, cutouts, or embossing
 - Have metal clasps, string ties, or folding bars
 - Have an interlocking design
 - Have postage stamps attached
 - Have any exposed adhesive when the flap is in the sealed or closed position
 - Have bent corners
 - Have rough, cockle, or laid finishes
- Adjust the width guide to fit the width of the envelopes.
- Load only one size of envelope at a time. Envelopes may only be loaded in the multipurpose feeder. Load them with the flap up and to the left of the multipurpose feeder.

- Use only envelopes with a flap that covers the area where the seams come together. For more information, see the following illustrations:



1	Envelope flap covering seams (supported)
2	Exposed seams (unsupported)

Note: A combination of high humidity (over 60%) and the high printing temperature may wrinkle or seal envelopes.

Using labels

Print samples on the labels being considered for use before buying large quantities.

For detailed information on label printing, characteristics, and design, see the *Card Stock & Label Guide* available on the Lexmark Web site at www.lexmark.com/publications.

When printing on labels:

- From Print Properties or the printer control panel, set the Paper type to Labels.
- Do not load labels together with paper or transparencies in the same source; mixing media can cause feeding problems.
- Use only letter-, A4-, and legal-size label sheets.
- Use labels designed specifically for laser printers, except vinyl labels. Check with the manufacturer or vendor to verify that label adhesives, face sheet (printable stock), and topcoats can withstand temperatures up to 180°C (356°F) and pressure up to 30 psi without delaminating, oozing around the edges, or releasing hazardous fumes. Do not use vinyl labels.
- Do not use labels with slick backing material.

- Use full label sheets. Partial sheets may cause labels to peel off during printing, resulting in a jam. Partial sheets also contaminate the printer and the cartridge with adhesive, and could void the printer and cartridge warranties.
- Do not print within 1 mm (0.04 in.) of the edge of the label, of the perforations, or between die-cuts of the label.
- Be sure adhesive backing does not reach to the sheet edge. Zone coating of the adhesive at least 1 mm (0.04 in.) away from edges is recommended. Adhesive material contaminates the printer and could void the warranty.
- If zone coating of the adhesive is not possible, remove a 3 mm (0.125 in.) strip on the leading and driver edge, and use a non-oozing adhesive.
- Portrait orientation works best, especially when printing bar codes.
- Do not use labels with exposed adhesive.

Using card stock

Card stock is heavy, single-ply print media. Many of its variable characteristics, such as moisture content, thickness, and texture, can significantly impact print quality.

Print samples on the card stock being considered for use before buying large quantities.

When printing on card stock:

- From Print Properties or the printer control panel, set the Paper Type to Thin Card Stock or Thick Card Stock.
 - Note:** Use Thick Card Stock for card stock weighing more than 164 g/m².
- Be aware that preprinting, perforation, and creasing may significantly affect the print quality and cause jams or other paper handling problems.
- Check with the manufacturer or vendor to ensure the card stock can withstand temperatures up to 180°C (356°F) without releasing hazardous emissions.
- Do not use preprinted card stock manufactured with chemicals that may contaminate the printer. Preprinting introduces semi-liquid and volatile components into the printer.
- Use grain long card stock when possible.
- For best results, use Tray 1 (MPT) or Tray 2 when using card stock or glossy paper.

Storing paper

Use these paper storage guidelines to help avoid jams and uneven print quality:

- For best results, store paper where the temperature is 21°C (70°F) and the relative humidity is 40%. Most label manufacturers recommend printing in a temperature range of 18 to 24°C (65 to 75°F) with relative humidity between 40 and 60%.
- Store paper in cartons when possible, on a pallet or shelf, rather than on the floor.
- Store individual packages on a flat surface.
- Do not store anything on top of individual paper packages.

Supported paper sizes, types, and weights

The following tables provide information on standard and optional paper sources and the types of paper they support.

Note: For an unlisted paper size, select the closest *larger* listed size.

For information on card stock and labels, see the *Card Stock & Label Guide*

Supported paper sizes

Paper size	Dimensions	Multipurpose feeder (Tray 1 MPT)	Standard 250-sheet tray (Tray 2)	Optional 550-sheet tray (Tray 3)
A4	210 x 297 mm (8.27 x 11.7 in.)	✓	✓	✓
A5¹	148 x 210 mm (5.83 x 8.27 in.)	✓	✓	✓
JIS B5	182 x 257 mm (7.17 x 10.1 in.)	✓	✓	✓
Letter	215.9 x 279.4 mm (8.5 x 11 in.)	✓	✓	✓
Legal	215.9 x 355.6 mm (8.5 x 14 in.)	✓	✓	✓
Executive	184.2 x 266.7 mm (7.25 x 10.5 in.)	✓	✓	✓
Folio	216 x 330 mm (8.5 x 13 in.)	✓	✓	✓
Statement¹	139.7 x 215.9 mm (5.5 x 8.5 in.)	✓	✓	✓
Universal²	250-sheet tray: 140 x 98.4 mm to 297 x 432 mm (5.5 x 3.9 in. to 11.7 x 17 in.) ² Multipurpose feeder: 105 x 148 mm to 305 x 482 mm (4.1 x 5.8 in. to 12 x 19 in.) ³	✓	✓	✓
7 3/4 Envelope (Monarch)	98.4 x 190.5 mm (3.875 x 7.5 in.)	✓	X	X

¹ Recommended for occasional use only.

² This size setting formats the page or envelope for 215.9 x 355.6 mm (8.5 x 14 in.) for the 250-sheet tray, unless the size is specified by the software program.

³ Measurements apply to simplex (one-sided) printing only.

Paper size	Dimensions	Multipurpose feeder (Tray 1 MPT)	Standard 250-sheet tray (Tray 2)	Optional 550-sheet tray (Tray 3)
Com 10 Envelope	104.8 x 241.3 mm (4.12 x 9.5 in.)	✓	X	X
DL Envelope	110 x 220 mm (4.33 x 8.66 in.)	✓	X	X
C5 Envelope	162 x 229 mm (6.38 x 9.01 in.)	✓	X	X
B5 Envelope	176 x 250 mm (6.93 x 9.84 in.)	✓	X	X
Other Envelope²	89 x 98.4 mm to 297 x 431.8 mm (3.5 x 3.8 in. to 11.7 x 17 in.)	✓	X	X

¹ Recommended for occasional use only.

² This size setting formats the page or envelope for 215.9 x 355.6 mm (8.5 x 14 in.) for the 250-sheet tray, unless the size is specified by the software program.

³ Measurements apply to simplex (one-sided) printing only.

Supported paper types

Paper type	Multipurpose feeder (Tray 1 MPT)	Standard 250-sheet tray (Tray 2)	Optional 550-sheet tray (Tray 3)
Paper	✓	✓	✓
Card stock	✓	✓	✓
Transparencies	✓	X	X
Paper labels*	✓	✓	✓
Envelopes	✓	X	X

* Vinyl labels are not supported.

Supported paper weights

Paper type	Multipurpose feeder (Tray 1 MPT)	Standard 250-sheet tray (Tray 2)	Optional 550-sheet tray (Tray 3)
Plain (xerographic or business) paper	60 to 90 g/m ² grain long (16 to 24 lb bond)	60 to 90 g/m ² grain long (16 to 24 lb bond)	60 to 90 g/m ² grain long (16 to 24 lb bond)
Card stock—maximum (grain long)¹	Index Bristol —163 g/m ² (90 lb) Tag —163 g/m ² (100 lb) Cover —176 g/m ² (65 lb)	Index Bristol —163 g/m ² (90 lb) Tag —163 g/m ² (100 lb) Cover —176 g/m ² (65 lb)	Index Bristol —163 g/m ² (90 lb) Tag —163 g/m ² (100 lb) Cover —176 g/m ² (65 lb)
Card stock—maximum (grain short)²	Index Bristol —199 g/m ² (110 lb) Tag —203 g/m ² (125 lb) Cover —216 g/m ² (80 lb)	Index Bristol —199 g/m ² (110 lb) Tag —203 g/m ² (125 lb) Cover —216 g/m ² (80 lb)	Index Bristol —199 g/m ² (110 lb) Tag —203 g/m ² (125 lb) Cover —216 g/m ² (80 lb)
Transparencies	138–146 g/m ² (37 to 39 lb bond)	138–146 g/m ² (37 to 39 lb bond)	X
Paper Labels—maximum^{2, 3}	180 g/m ² (48 lb bond)	180 g/m ² (48 lb bond)	180 g/m ² (48 lb bond)
Envelopes⁴	75 to 90 g/m ² (20 to 24 lb bond) ^{5, 6}	X	X

¹ For 60 to 135 g/m² paper, we recommend grain long fibers. For papers heavier than 135 g/m², we recommend grain short.

² The pressure sensitive area must enter the printer first.

³ Vinyl labels are not supported.

⁴ Use sulfite, wood-free, or up to 100% cotton envelopes.

⁵ Maximum weight for 100% cotton envelopes is 90 g/m².

⁶ 105 g/m² (28 lb bond) envelopes must not exceed 25% cotton content.

Paper capacities

Paper type	Multipurpose feeder (Tray 1 MPT)	Standard 250-sheet letter-size tray (Tray 2)	Optional 550-sheet tray (Tray 3)
Paper	150 sheets	250 sheets*	550 sheets*
Card stock	15 mm (0.59 in.) or less in height	27.6 mm (1.09 in.) or less in height	59.4 mm (2.34 in.) or less in height
Labels	15 mm (0.59 in.) or less in height	27.6 mm (1.09 in.) or less in height	59.4 mm (2.34 in.) or less in height
Transparencies	15 mm (0.59 in.) or less in height	27.6 mm (1.09 in.) or less in height	X

* Based on 75 g/m

Paper type	Multipurpose feeder (Tray 1 MPT)	Standard 250-sheet letter-size tray (Tray 2)	Optional 550-sheet tray (Tray 3)
Envelopes	15 mm (0.59 in.) or less in height	X	X
* Based on 75 g/m			

Printing

This chapter covers printing, printer reports, and job cancelation. The Selection and handling of paper and specialty media can affect how reliably documents print.

Installing printer software

A printer driver is software that lets the computer communicate with the printer. The printer software is typically installed during the initial printer setup. For more information, see the *Setup* sheet or *Setup Guide* that came with the printer, or click **Install printer and software** on the *Software and User's Guide* CD.

When **Print** is chosen from a program, a dialog representing the printer driver opens. Click **Properties**, **Preferences**, **Options**, or **Setup** from the initial Print dialog to open Print Properties and see all of the available printer settings that may be changed. If a feature in Print Properties is unfamiliar, open the online Help for more information.

Note: Print settings selected from the driver override the default settings selected from the printer control panel.

Printing a document from Windows

- 1 With a document open, click **File → Print**.
- 2 Click **Properties**, **Preferences**, **Options**, or **Setup**.
- 3 Adjust the settings.
- 4 Click **OK**.
- 5 Click **OK** or **Print**.

Printing a document from a Macintosh computer

- 1 With a document open, choose **File → Print**.
- 2 From the Copies & Pages or General pop-up menu, adjust the settings.
- 3 Click **OK** or **Print**.

Printing the configuration page

The configuration page lists information about the printer such as supply levels, printer hardware information, and network information.

- 1 Make sure the printer is on and **Select Function** appears.
- 2 From the printer control panel, press **System**.
- 3 Press ▲ or ▼ repeatedly until **Information Pages** appears, and then press **OK**.
- 4 Press ▲ or ▼ repeatedly until **Configuration** appears, and then press **OK**.

After the configuration page prints, **Select Function** appears.

Printing the demo page

Print the demo page to isolate print quality problems.

- 1 Make sure the printer is on and **Select Function** appears.
- 2 From the printer control panel, press **System**.
- 3 Press ▲ or ▼ repeatedly until **Information Pages** appears, and then press **OK**.
- 4 Press ▲ or ▼ repeatedly until **Demo Page** appears, and then press **OK**.

After the demo page prints, **Select Function** appears.

Using Secure printing

Understanding Secure Print

Secure Print is a feature that lets you assign a password to a print job from the computer, send it to the printer for temporary storage, and start printing the data from the printer control panel. You can also store the print data in the printer without attaching a password. By storing frequently used data in the printer, you can print the data from the printer without sending the data from the computer repeatedly.

Note: You can select whether to delete secure print data after printing. The secure print jobs stored in the printer memory are erased when the printer is turned off.

Printing Secure Print jobs from the printer control panel

To print data stored in the printer by Secure Print:

- 1 Make sure the printer is on and **Select Function** appears.
- 2 From the printer control panel, press **Job Status**.
- 3 Press ▲ or ▼ repeatedly until **Walk-Up Features** appears, and then press **OK**.
- 4 Press ▲ or ▼ repeatedly until **Secure Print** appears, and then press **OK**.
- 5 Press ▲ or ▼ repeatedly to select your user name, and then press **OK**.
- 6 Using the keypad, enter the password, and then press **OK**.
- 7 Select the name of the job that you want to print, and then press **OK**.
- 8 Press ▲ or ▼ repeatedly to select either **Print and Delete** or **Print and Save**, and then press **OK**.

Notes:

- The displayed user ID (up to 8 characters) is the User ID specified in the Secure Print dialog box of the Paper/Output tab of Print Properties.
- For the password, enter the Password set in the Secure Print dialog box of the Paper/Output tab of Print Properties. If Password is not configured, there will be no setting on the printer control panel.
- The document name displayed (up to 12 characters) is the Document Name specified in the Secure Print dialog of the Basic tab of Print Properties.

Using Proof printing

Understanding Proof Print

Proof Print is a feature that lets you store the print data of multiple copies in the memory, print out only the first set to check the print result, and, if satisfactory, print the remaining copies from the printer control panel.

Note: You can select whether to delete proof print data after printing. The proof print jobs stored in the printer memory are erased when the printer is turned off.

Printing Proof Print jobs from the printer control panel

To print data stored in the printer by Proof Print:

- 1 Make sure the printer is on and **Select Function** appears.
- 2 From the printer control panel, press **Job Status**.
- 3 Press ▲ or ▼ repeatedly until **Walk-Up Features** appears, and then press **OK**.
- 4 Press ▲ or ▼ repeatedly until **Proof Print** appears, and then press **OK**.
- 5 Press ▲ or ▼ repeatedly to select your user name, and then press **OK**.
- 6 Press ▲ or ▼ repeatedly to select either **Print and Delete** or **Print and Save**, and then press **OK**.
- 7 Press ▲ or ▼ repeatedly to select the desired number of copies, and then press **OK**.

Notes:

- The displayed user ID (up to 8 characters) is the User ID specified in the Proof Print dialog box of the Paper/Output tab of Print Properties.
- The document name displayed (up to 12 characters) is the Document Name specified in the Proof Print dialog box of the Basic tab of Print Properties.

Canceling a print job

There are several methods for canceling a print job. The following sections explain how to cancel a print job from the printer control panel, or from a computer depending on the operating system.

Canceling a print job from the printer control panel

To cancel a print job, press **Stop**  at any time.

Note: If the print job continues to print, part of the job may have already been transmitted to the printer buffer before the stop command was sent. **Canceling** appears on the display, and the remaining buffered pages are printed before the job is canceled.

Canceling a print job from the Windows taskbar

When you send a job to print, a small printer icon appears in the right corner of the taskbar.

- 1 Double-click the printer icon.
A list of print jobs appears in the printer window.
- 2 Select a job to cancel.
- 3 From the keyboard, press **Delete**.

Canceling a print job from the Windows desktop

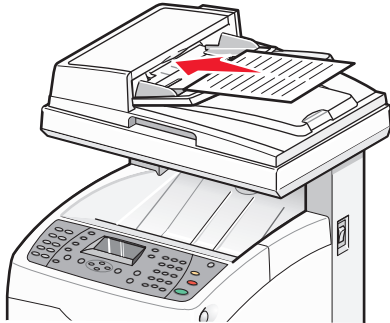
- 1 Minimize all programs to reveal the desktop.
- 2 Double-click the **My Computer** icon.
- 3 Double-click the **Printers** icon.
- 4 Double-click the printer icon.
- 5 Select the job to cancel.
- 6 From the keyboard, press **Delete**.

Canceling a print job from Mac OS X

- 1 Choose **Applications → Utilities**, and then double-click **Print Center** or **Printer Setup Utility**.
- 2 Double-click the printer you are printing to.
- 3 From the printer window, select the job to cancel.
- 4 From the icon bar at the top of the window, click the **Delete** icon.

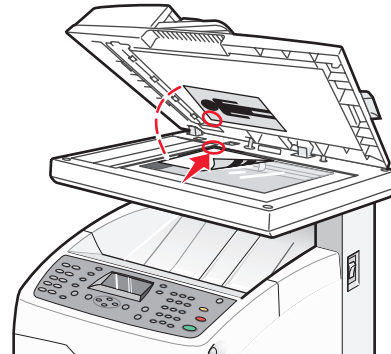
Copying

Automatic Document Feeder (ADF)




Use the Automatic Document Feeder (ADF) for multiple-page A4-, letter-, or legal-size documents.

Scanner glass




Use the scanner glass for single pages, small items (such as postcards or photos), transparencies, photo paper, or thin media (such as magazine clippings).

Making a copy

- 1 Load an original document faceup, short edge first into the ADF or facedown on the scanner glass.
Note: Do not load postcards, photos, small items, transparencies, photo paper, or thin media (such as magazine clippings) into the ADF. Place these items on the scanner glass.
- 2 If you are loading a document into the ADF, adjust the paper guides.
- 3 From the printer control panel, press **Copy**.
- 4 Use the keypad to enter the number of copies.
- 5 To change the color mode, press **Color Mode** until the light comes on next to the selection you want. Choose between B&W (black and white) and Color.
- 6 Adjust the copy options.
- 7 Press **Start**  to begin copying.

Notes:

- To cancel the copy function, press **Stop**  at any time.
- Print jobs are interrupted when users make copies. Printing continues while the printer scans the originals. When the copies are ready to print, the print job pauses, the copies print, and then the print job resumes. Copies cannot be made while printing a received fax.

Customizing copy settings

Press ▲ or ▼ to access copy options while in copy mode.

Selecting a paper tray for copies

To select a paper tray other than the currently selected tray:

- 1 Load an original document faceup, short edge first into the ADF or facedown on the scanner glass.
Note: Do not load postcards, photos, small items, transparencies, photo paper, or thin media (such as magazine clippings) into the ADF. Place these items on the scanner glass.
- 2 If you are loading a document into the ADF, adjust the paper guides.
- 3 From the printer control panel, press **Copy**.
- 4 Use the keypad to enter the number of copies.
- 5 To change the color mode, press **Color Mode** until the light comes on next to the selection you want. Choose between B&W (black and white) and Color.
- 6 Press ▲ or ▼ repeatedly until **Paper Supply** appears, and then press **OK**.
- 7 Press ▲ or ▼ repeatedly to select **Tray 1 (MPT)**, **Tray 2**, or **Tray 3**, and then press **OK**.
Note: Tray 3 is optional and may not be available.
- 8 Press **Start** ◊ to begin copying.

Collating copies

If you print multiple copies of a document, you can choose to print each copy as a set (collated) or to print the copies as groups of pages (not collated).

Collated



Not collated



- 1 Load an original document faceup, short edge first into the ADF or facedown on the scanner glass.
Note: Do not load postcards, photos, small items, transparencies, photo paper, or thin media (such as magazine clippings) into the ADF. Place these items on the scanner glass.
- 2 If you are loading a document into the ADF, adjust the paper guides.
- 3 From the printer control panel, press **Copy**.
- 4 Use the keypad to enter the number of copies.
- 5 To change the color mode, press **Color Mode** until the light comes on next to the selection you want. Choose between B&W (black and white) and Color.
- 6 Press ▲ or ▼ repeatedly until **Collated** appears, and then press **OK**.
- 7 Press ▲ or ▼ repeatedly until **On** appears, and then press **OK**.
- 8 Press **Start** ◊ to begin copying.

Reducing or enlarging copies

To change the default size ratio for copies:

- 1 Load an original document faceup, short edge first into the ADF or facedown on the scanner glass.
Note: Do not load postcards, photos, small items, transparencies, photo paper, or thin media (such as magazine clippings) into the ADF. Place these items on the scanner glass.
- 2 If you are loading a document into the ADF, adjust the paper guides.
- 3 From the printer control panel, press **Copy**.
- 4 Use the keypad to enter the number of copies.
- 5 To change the color mode, press **Color Mode** until the light comes on next to the selection you want. Choose between B&W (black and white) and Color.
- 6 Press ▲ or ▼ repeatedly until **Reduce/Enlarge** appears, and then press **OK**.
- 7 Press ▲ or ▼ repeatedly until the size ratio you want appears, or press ◀ or ▶ repeatedly to manually select the size you want. You can reduce the image to 25% of its original size, or enlarge it to 400% of its original size.
- 8 Press **Start** ◊ to begin copying.

Selecting the type of document being copied

The scanner optimizes the appearance of the printed output based on the contents of the original document. The following document types are available:

- **Text**—Used for black-and-white or colored text
- **Mixed**—Used when the original documents are a mixture of text and graphics or photos, such as magazines or newspapers
- **Photo**—Used for photo prints

- 1 Load an original document faceup, short edge first into the ADF or facedown on the scanner glass.
Note: Do not load postcards, photos, small items, transparencies, photo paper, or thin media (such as magazine clippings) into the ADF. Place these items on the scanner glass.
- 2 If you are loading a document into the ADF, adjust the paper guides.
- 3 From the printer control panel, press **Copy**.
- 4 Use the keypad to enter the number of copies.
- 5 To change the color mode, press **Color Mode** until the light comes on next to the selection you want. Choose between B&W (black and white) and Color.
- 6 Press ▲ or ▼ repeatedly until **Document Type** appears, and then press **OK**.
- 7 Press ▲ or ▼ repeatedly until the document type you want appears, and then press **OK**.
- 8 Press **Start** ◊ to begin copying.

Adjusting copy quality

Choose between Enhanced (best quality) or Standard (fastest speed). To change the quality setting:

- 1 Load an original document faceup, short edge first into the ADF or facedown on the scanner glass.
Note: Do not load postcards, photos, small items, transparencies, photo paper, or thin media (such as magazine clippings) into the ADF. Place these items on the scanner glass.
- 2 If you are loading a document into the ADF, adjust the paper guides.
- 3 From the printer control panel, press **Copy**.
- 4 Use the keypad to enter the number of copies.
- 5 To change the color mode, press **Color Mode** until the light comes on next to the selection you want. Choose between B&W (black and white) and Color.
- 6 Press ▲ or ▼ repeatedly until **Output Quality** appears, and then press **OK**.
- 7 Press ▲ or ▼ repeatedly until **Standard** or **Enhanced** appears, and then press **OK**.
- 8 Press **Start** ◊ to begin copying.

Making a copy lighter or darker


To lighten or darken an image when it is copied:

- 1 Load an original document faceup, short edge first into the ADF or facedown on the scanner glass.
Note: Do not load postcards, photos, small items, transparencies, photo paper, or thin media (such as magazine clippings) into the ADF. Place these items on the scanner glass.
- 2 If you are loading a document into the ADF, adjust the paper guides.
- 3 From the printer control panel, press **Copy**.
- 4 Use the keypad to enter the number of copies.
- 5 To change the color mode, press **Color Mode** until the light comes on next to the selection you want. Choose between B&W (black and white) and Color.
- 6 Press ▲ or ▼ repeatedly until **Lighten/Darken** appears, and then press **OK**.
- 7 Press ◀ or ▶ repeatedly to lighten or darken the image, and then press **OK**.
- 8 Press **Start** ◊ to begin copying.

Adjusting the sharpness of a copy


To adjust the sharpness of the copied image:

- 1 Load an original document faceup, short edge first into the ADF or facedown on the scanner glass.
Note: Do not load postcards, photos, small items, transparencies, photo paper, or thin media (such as magazine clippings) into the ADF. Place these items on the scanner glass.
- 2 If you are loading a document into the ADF, adjust the paper guides.
- 3 From the printer control panel, press **Copy**.
- 4 Use the keypad to enter the number of copies.

- 5 To change the color mode, press **Color Mode** until the light comes on next to the selection you want. Choose between B&W (black and white) and Color.
- 6 Press ▲ or ▼ repeatedly until **Sharpness** appears, and then press **OK**.
- 7 Press ▲ or ▼ repeatedly until **Sharper**, **Normal**, or **Softer** appears, and then press **OK**.
- 8 Press **Start**  to begin copying.


Adjusting the color saturation of a copy

To darken or lighten the overall color levels of your copies:

- 1 Load an original document faceup, short edge first into the ADF or facedown on the scanner glass.
Note: Do not load postcards, photos, small items, transparencies, photo paper, or thin media (such as magazine clippings) into the ADF. Place these items on the scanner glass.
- 2 If you are loading a document into the ADF, adjust the paper guides.
- 3 From the printer control panel, press **Copy**.
- 4 Use the keypad to enter the number of copies.
- 5 To change the color mode, press **Color Mode** until the light comes on next to the selection you want. Choose between B&W (black and white) and Color.
- 6 Press ▲ or ▼ repeatedly until **Color Saturation** appears, and then press **OK**.
- 7 Press ▲ or ▼ repeatedly until **Higher**, **Normal**, or **Lower** appears, and then press **OK**.
- 8 Press **Start**  to begin copying.

Adjusting the auto exposure of copies

Papers that are off-white or ivory colored, such as newsprint, can cause the printer to put toner on the page so that the printed output has a background that matches the original. The Auto Exposure setting removes the light or close to white color and only the image itself is printed. To adjust the default auto exposure setting:


- 1 From the printer control panel, press **System**.
- 2 Press ▲ or ▼ repeatedly until **Default Settings** appears, and then press **OK**.
- 3 Press ▲ or ▼ repeatedly until **Copy Defaults** appears, and then press **OK**.
- 4 Press ▲ or ▼ repeatedly until **Auto Expo. Level** appears, and then press **OK**.
- 5 Press ▲ or ▼ repeatedly until **Normal**, **Higher (1)**, or **Higher (2)** appears, and then press **OK**.
- 6 Press  repeatedly until **Select Function** appears.

Centering an image on a page

You can automatically center a copied image on a page. The printer automatically reduces or enlarges the copied image to fit the currently loaded paper.

Note: The ADF cannot be used for this feature.


To center an image:

- 1 Load an original document facedown on the scanner glass.
- 2 From the printer control panel, press **Copy**.
- 3 Use the keypad to enter the number of copies.
- 4 To change the color mode, press **Color Mode** until the light comes on next to the selection you want. Choose between B&W (black and white) and Color.
- 5 Press ▲ or ▼ repeatedly until **Auto Fit** appears, and then press **OK**.
- 6 Press ▲ or ▼ repeatedly until **On** appears, and then press **OK**.
- 7 Press **Start**  to begin copying.

Copying multiple pages onto a single sheet

In order to save paper, you can copy two consecutive pages of a multiple-page document onto a single sheet of paper. There are several settings available:

N-Up setting	Description
Off	Copies one original page image onto one side of a sheet of paper
Auto	Copies two original pages, reduces the images, and prints them on one side of a sheet of paper
ID Copy	Copies two original size images onto one side of a sheet of paper
Manual	Reduces the two original images as specified in Reduce/Enlarge, and prints them on one side of a sheet of paper

- 1 Load an original document faceup, short edge first into the ADF or facedown on the scanner glass.
Note: Do not load postcards, photos, small items, transparencies, photo paper, or thin media (such as magazine clippings) into the ADF. Place these items on the scanner glass.
- 2 If you are loading a document into the ADF, adjust the paper guides.
- 3 From the printer control panel, press **Copy**.
- 4 Use the keypad to enter the number of copies.
- 5 To change the color mode, press **Color Mode** until the light comes on next to the selection you want. Choose between B&W (black and white) and Color.
- 6 Press ▲ or ▼ repeatedly until **N-Up** appears, and then press **OK**.
- 7 Press ▲ or ▼ repeatedly until the N-Up option you want appears, and then press **OK**.
- 8 Press **Start**  to begin copying.

Printing a poster

The Poster option enables you to copy one original image onto several pages that can be assembled into a poster. The current Reduce/Enlarge setting is applied. The following options are available:

Poster setting	Description
Off	Turns off poster printing
2x2	Copies the image to 4 sheets of paper
3x3	Copies the image to 9 sheets of paper
4x4	Copies the image to 16 sheets of paper

Note: The ADF cannot be used with this feature.

- 1 Load an original document facedown on the scanner glass.
- 2 From the printer control panel, press **Copy**.
- 3 Use the keypad to enter the number of copies.
- 4 To change the color mode, press **Color Mode** until the light comes on next to the selection you want. Choose between B&W (black and white) and Color.
- 5 Press ▲ or ▼ repeatedly until **Poster** appears, and then press **OK**.
- 6 Press ▲ or ▼ repeatedly until the poster setting you want appears, and then press **OK**.
- 7 Press **Start** ◀ to begin copying.

Repeating images on a sheet

You can have several copies of one original image copied onto one side of a sheet of paper. This is useful when you want to make multiple copies of a small image.

Note: The ADF cannot be used for this feature.

To have an image repeated on a sheet:

- 1 Load an original document facedown on the scanner glass.
- 2 From the printer control panel, press **Copy**.
- 3 Use the keypad to enter the number of copies.
- 4 To change the color mode, press **Color Mode** until the light comes on next to the selection you want. Choose between B&W (black and white) and Color.
- 5 Press ▲ or ▼ repeatedly until **Repeat Image** appears, and then press **OK**.
- 6 Press ▲ or ▼ repeatedly until **On** appears, and then press **OK**.

Note: The number of repeated images that appear on the copy is automatically determined by the size of the original. The Reduce/Enlarge setting is disabled when Repeat Image is enabled.

- 7 Press **Start** ◀ to begin copying.

Setting the copy margins

Note: The ADF cannot be used for this feature.

- 1 From the printer control panel, press **System**.
- 2 Press ▲ or ▼ repeatedly until **Default Settings** appears, and then press **OK**.
- 3 Press ▲ or ▼ repeatedly until **Copy Defaults** appears, and then press **OK**.
- 4 Press ▲ or ▼ repeatedly until **Margin Width** appears, and then press **OK**.
- 5 Press ▲ or ▼ repeatedly to select the margin you would like to change, and then press **OK**.
- 6 Press ▲ or ▼ repeatedly to adjust the margin, and then press **OK**.
- 7 Repeat the steps for other margins, and then press ↶ repeatedly until **Select Function** appears.
- 8 Load an original document facedown on the scanner glass.
- 9 From the printer control panel, press **Copy**.
- 10 Use the keypad to enter the number of copies.
- 11 To change the color mode, press **Color Mode** until the light comes on next to the selection you want. Choose between B&W (black and white) and Color.
- 12 Press ▲ or ▼ repeatedly until **Margin** appears, and then press **OK**.
- 13 Press ▲ or ▼ repeatedly until **On** appears, and then press **OK**.
- 14 Press **Start** ⏏ to begin copying.

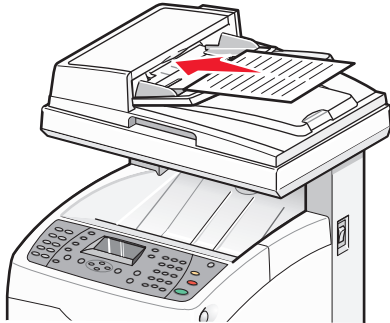
Canceling a copy job

To cancel a print job, press **Stop** ⏏ at any time.

Note: If the copy job continues to print, part of the job may have already been transmitted to the printer buffer before the stop command was sent. **Canceling** appears on the display, and the remaining buffered pages are printed before the job is canceled.

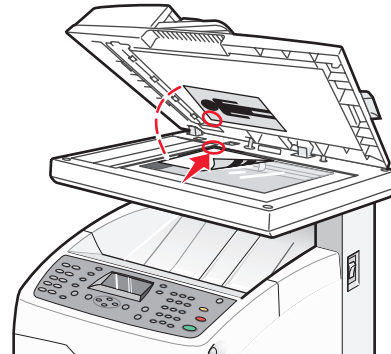
Scanning

Automatic Document Feeder (ADF)



Use the Automatic Document Feeder (ADF) for multiple-page A4-, letter-, or legal-size documents.

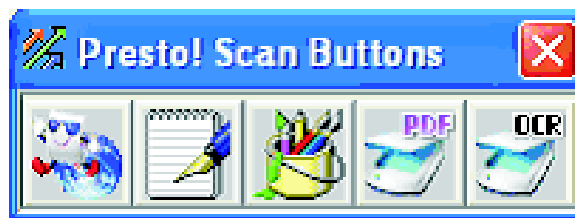
Scanner glass



Use the scanner glass for single pages, small items (such as postcards or photos), transparencies, photo paper, or thin media (such as magazine clippings).

Scanning a document using the computer

- 1 Make sure the printer is connected to a computer, and both the printer and the computer are turned on.
- 2 Load an original document faceup into the ADF or facedown on the scanner glass.
Note: Do not load postcards, photos, small items, transparencies, photo paper, or thin media (such as magazine clippings) into the ADF. Place these items on the scanner glass.
- 3 If you are loading a document into the ADF, adjust the paper guides.
- 4 Click **Start** → **Programs** or **All Programs** → **Lexmark Applications** → **Presto! PageManager**.
The Presto! Scan Buttons dialog appears.



- Note:** If the Presto! Scan Buttons dialog does not appear, press **F9**.
- 5 From the Presto! Scan Buttons toolbar, click the application to scan to.
 - 6 When the scan settings dialog appears, click **Preview**.
Note: If you are using the ADF, the Preview function is not supported. If you are using the scanner glass, you can preview one page at a time.
 - 7 Adjust the scan settings, and then click **Scan**.

Scanning documents directly to other applications

You can scan documents directly to applications that are TWAIN and WIA compliant. For more information, see the application help.

Scanning text for editing

Use the Optical Character Recognition (OCR) software feature to turn scanned images into text you can edit with a word-processing application.

- 1 Make sure:
 - The printer is connected to a computer, and both the printer and the computer are on.
 - ABBYY Fine Reader is installed.
- 2 Load an original document faceup into the ADF or facedown on the scanner glass.

Note: Do not load postcards, photos, small items, transparencies, photo paper, or thin media (such as magazine clippings) into the ADF. Place these items on the scanner glass.
- 3 If you are loading a document into the ADF, adjust the paper guides.
- 4 Click **Start** → **Programs** or **All Programs** → **ABBYY FineReader 6.0 Sprint** → **ABBYY FineReader 6.0 Sprint**.
- 5 From the toolbar, click **Scan&Read**.
- 6 When the scan settings dialog appears, click **Preview**.

Note: If you are using the ADF, the Preview function is not supported. If you are using the scanner glass, you can preview one page at a time.
- 7 For best results, select **Editing Text (OCR)**, and then click **Scan**.
- 8 Once the image loads, click **Save**.
- 9 Select a destination you want to save to, and then click **OK**.
- 10 Edit and save the document.

Customizing scan settings using the computer

- 1 Make sure the printer is connected to a computer, and both the printer and the computer are on.
- 2 Load an original document faceup into the ADF or facedown on the scanner glass.

Note: Do not load postcards, photos, small items, transparencies, photo paper, or thin media (such as magazine clippings) into the ADF. Place these items on the scanner glass.
- 3 If you are loading a document into the ADF, adjust the paper guides.
- 4 Click **Start** → **Programs** or **All Programs** → **Lexmark Applications** → **Presto! PageManager**.
- 5 From the Presto! Scan Buttons toolbar, click the application to scan to.

Note: If the Scan Buttons dialog does not appear, press **F9**.



6 Click **Preview**. Wait for the image to appear on the screen.

Note: If you are using the ADF, the Preview function is not supported. If you are using the scanner glass, you can preview one page at a time.

7 If you want to scan only a portion of the document, click and drag the dotted line box to select a specific area of the preview image to scan.

8 Select what document type is being scanned.

9 Customize the scan settings from the General tab or the Advanced tab:

General tab	Options
Scan Page For	<ul style="list-style-type: none"> • Select the scanner IP Address. • Select the scan source (Reflective or Automatic Document Feeder). • Select a preset document type, or choose Custom.
Scan Configuration	<ul style="list-style-type: none"> • Select the mode (True Color, Grayscale, or Black and White). • Select the scan resolution. • Select a preset size, or use the dotted line box in the preview window to select a specific area of the preview image to scan. • Use the Scan task to remove any size adjustments made in the preview window or to select an auto-crop setting.

Note: For more information, click **Help** at the bottom of the screen.

Advanced tab	Options
Gamma / Sharpness	<ul style="list-style-type: none"> • Adjust the color correction curve (gamma) of the overall image or of individual color channels. • Select whether to sharpen blurry edges.
Brightness / Contrast	Adjust the brightness of the overall image or of individual color channels.
Saturation / Hue	<ul style="list-style-type: none"> • Adjust the intensity of the colors in the image. • Adjust the hue of the image.
Moire Reduction	Remove image patterns from magazines, newspapers, or art printing (descreen).

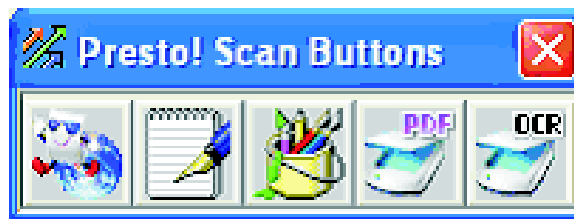
Note: For more information, click **Help** at the bottom of the screen.

10 Click **Scan**.

Scanning clear images from magazines or newspapers

Use the Moire Reduction feature to help remove wavy patterns from images scanned from magazines or newspapers.

- 1 Make sure the printer is connected to a computer, and both the printer and the computer are turned on.
- 2 Load an original document faceup into the ADF or facedown on the scanner glass.
Note: Do not load postcards, photos, small items, transparencies, photo paper, or thin media (such as magazine clippings) into the ADF. Place these items on the scanner glass.
- 3 If you are loading a document into the ADF, adjust the paper guides.
- 4 Click **Start** → **Programs** or **All Programs** → **Lexmark Applications** → **Presto! PageManager**.
The Presto! Scan Buttons dialog appears.



Note: If the Presto! Scan Buttons dialog does not appear, press **F9**.

- 5 From the Presto! Scan Buttons toolbar, click the application to scan to.
- 6 When the scan settings dialog appears, click **Preview**.
Note: If you are using the ADF, the Preview function is not supported. If you are using the scanner glass, you can preview one page at a time.
- 7 Click the **Advanced** tab.
- 8 Select **Moire Reduction**.
- 9 Choose either **Magazine**, **Newspaper**, or **Art Print**, and then click **Scan**.

Canceling a scan job

To cancel a scan job, press **Stop**  at any time.

Scanning to a computer

Sharing a folder in Windows

In order to scan to a computer, you must send the files to a shared folder on your computer. To share a folder on your computer:


- 1 Right-click the folder, and then select **Properties**.
- 2 Click the **Sharing** tab.

3 Do one of the following:

- In Windows Vista:
 - a** Under the Advanced Sharing section, click **Advanced Sharing**.
 - b** When the User Account Control dialog appears, click **Continue**.
 - c** Make sure that **Share this folder** is selected. The *Share name* is the name used when scanning to this folder. By default, the share name is the same as the folder name.
 - d** Click **OK** to save the shared folder settings and close the window.
 - e** Click **Close** to close the folder properties window.
The folder is now set up for sharing.
- In Windows XP and earlier:
 - a** Under the Network Sharing and Security section, make sure that **Share this folder on the network** and **Allow network users to change my files** are both selected. The *Share name* is the name used when scanning to this folder. By default, the share name is the same as the folder name.

Note: If you do not see these options under the Sharing tab, it could be because sharing is not enabled. If so, you will see a link that will let you enable sharing with the option of using the sharing wizard.
 - b** Click **OK** to save the shared folder settings and close the window.
The folder is now set up for sharing.

Creating a computer address using Address Book Editor

- 1** Make sure the printer is connected to a computer with a USB cable, and both the printer and the computer are turned on.
- 2** Do one of the following:
 - In Windows Vista, click .
 - In Windows XP and earlier, click **Start**.
- 3** Click **Programs** or **All Programs** → **Lexmark Applications** → **Address Book Editor**.
- 4** In the left pane of the Address Book Editor, right-click **Server**, and then select **New**.
The Server Address dialog appears.
- 5** Click **Computer (SMB)**.
- 6** Click **Computer Settings Wizard**.
- 7** Click **Browse**, and then select a shared folder on the computer.
- 8** Click **OK**, and then click **Next**.
- 9** Enter the name and password that you log in with, and then click **Next**.
- 10** Confirm the settings, and then click **Finish**.
The Computer Settings Wizard closes.
- 11** In the Name field of the Server Address dialog, enter the name that you want this address to appear under in the Address Book, and then click **OK**.
- 12** From the File menu, select **Save All**.
The Address Book is saved with the new entry.

Creating a computer address using the Embedded Web Server

- 1 Open a Web browser.
- 2 In the address bar, type the IP address of the printer, and then press **Enter**.
If the Java applet screen appears, click **Yes**.
- 3 Click **Address Book**.
- 4 Under Server Address Book, click **Individual Directory**.
- 5 In the Directory Listing, click **Add** for any blank address.
- 6 Fill in the information for the computer:
 - a In the Name field, enter the name that you want this address to appear under in the Address Book.
 - b From the Server Type drop-down list, select **SMB**.
 - c In the Server Address field, enter the IP address of the destination computer.
 - d The port number needs to be specified only if the server is not using the default port.
 - e In the Login fields, enter the name and password used to log in to the destination computer.
 - f In the Share Name field:
 - If you are using Windows, type the share name of the shared destination folder.
 - If you are using a Macintosh computer, type your short name.
 - g In the Server Path field:
 - If you are using Windows, specify any subfolders of the shared destination folder. If there are no subfolders, leave this field blank.
 - If you are using a Macintosh computer, type `Public\foldername`, where *foldername* is the destination folder.
- 7 Click **Save Changes** to create the address.

Setting up scanning to a computer (Macintosh)

Before you set up scanning to a computer, make sure that:

- You have completed the initial setup of the printer.
- The printer and computer are connected to your network with the appropriate type of cable.
- You reset the printer by turning it off and then back on.

- 1 Confirm the printer IP Address by printing a configuration page:
 - a Make sure the printer is on and **Select Function** appears.
 - b From the printer control panel, press **System**.
 - c Press ▲ or ▼ repeatedly until **Information Pages** appears, and then press **OK**.
 - d Press ▲ or ▼ repeatedly until **Configuration** appears, and then press **OK**.
After the configuration page prints, **Select Function** appears.
 - e Locate the IP Address on the configuration page.
- 2 Confirm the computer IP Address:

In Mac OS X version 10.4–10.5

- a From the Apple menu, choose **System Preferences**.
- b Click **Network**.
- c Click **Ethernet**.
- d Write down the IP Address.

3 Enable file sharing on the computer:

In Mac OS X version 10.5

- a From the Apple menu, choose **System Preferences**.
- b Click **Sharing**.
- c Select **File Sharing** from the list of Services.
- d Click **Options**.
- e Select **Share files and folders using SMB**.
- f Select accounts to enable Windows File Sharing, and then click **Done**.

In Mac OS X version 10.4

- a From the Apple menu, choose **System Preferences**.
- b Click **Sharing**.
- c Select **Windows Sharing**.
A warning icon appears.
- d Select **Enable Accounts**.
- e Select an account that has administrative privileges, and then enter the password for that account.
The warning icon should now be cleared.


4 Create a scan address in the Embedded Web Server:

- a Type the printer IP address into the address field of your Web browser.
Note: If you do not know the IP address of the printer, then print a configuration page and locate the address in the IP Address section.
- b Click **Address Book**.
- c Under Server Address Book, click **Individual Directory**.
- d In the Directory Listing, click **Add** for any blank address.
- e In the Name field, type the name that you want this address to appear under in the Address Book.
- f Change the server type to **SMB**.
- g In the Server Address field, enter the IP address of the computer.
- h In the Port Number field, enter **139**.
- i Type the Login Name and Login Password using the shortname of the account that has Windows File Sharing enabled.
Note: 1. To determine the login/shortname, select the hard drive icon on the desktop of the Mac, and then open the Users folder and note the name of the folder corresponding to this account.
- j In the Share Name field, type the shortname.

k In the Server Path field, type `public\Drop Box`.

l Click **Save Changes** to create the address.

Scanning to a computer over the network


- 1** Make sure the printer is connected to the network through a print server, and the printer, the print server, and the computer receiving the scan are all turned on.
- 2** Load an original document faceup into the ADF or facedown on the scanner glass.
Note: Do not load postcards, photos, small items, transparencies, photo paper, or thin media (such as magazine clippings) into the ADF. Place these items on the scanner glass.
- 3** If you are loading a document into the ADF, adjust the paper guides.
- 4** From the printer control panel, press **Scan**.
- 5** Press ▲ or ▼ repeatedly until **Computer (Network)** appears, and then press **OK**.
- 6** Press ▲ or ▼ repeatedly until **Scan to** appears, and then press **OK**.
- 7** Press ▲ or ▼ repeatedly to select the address that points to your computer, and then press **OK**.
- 8** If you want to adjust any scan settings, press ▲ or ▼ repeatedly to select the scan setting to modify, and then press **OK**.
Note: The scan settings are only changed temporarily. After returning to **Select Function**, the printer returns to the factory default settings.
- 9** Press **Start**  to begin scanning.

The scanned image will be sent to your shared folder in Windows, or the Drop Box folder in Macintosh.

Scanning to an FTP server

File Transfer Protocol (FTP) is a standard protocol for transferring files between remote computer systems. You can scan an image directly to a server using FTP.

Creating an FTP address using Address Book Editor

- 1** Make sure the printer is connected to a computer with a USB cable, and both the printer and the computer are turned on.
- 2** Do one of the following:
 - In Windows Vista, click .
 - In Windows XP and earlier, click **Start**.
- 3** Click **Programs** or **All Programs** → **Lexmark Applications** → **Address Book Editor**.
- 4** In the left pane of the Address Book Editor, right-click **Server**, and then select **New**.
The Server Address dialog appears.
- 5** In the Name field of the Server Address dialog, enter the name that you want this address to appear under in the Address Book.
- 6** Click **Server (FTP)**.

- 7 Fill in the remaining information for the FTP server:
 - a In the Server Name/IP Address field, enter the IP address for the FTP Server.
 - b In the Path field, enter the path to the folder you want the images placed in.
 - c If the FTP server requires you to log in, enter the name and password in the appropriate fields.
- 8 Click **OK**.
- 9 From the File menu, select **Save All**.

The Address Book is saved with the new entry for the FTP server.

Creating an FTP address using the Embedded Web Server


- 1 Open a Web browser.
- 2 In the address bar, type the IP address of the printer, and then press **Enter**.

If the Java applet screen appears, click **Yes**.
- 3 Click **Address Book**.
- 4 Under Server Address Book, click **Individual Directory**.
- 5 In the Directory Listing, click **Add** for any blank address.
- 6 Fill in the information for the FTP server:
 - a In the Name field, enter the name that you want this address to appear under in the Address Book.
 - b In the Server Address field, enter the IP address of the FTP server.
 - c The port number needs to be specified only if the FTP server is not using the default port.
 - d If the FTP server requires you to log in, enter the name and password in the appropriate fields.
 - e Leave the Share Name and Server Path fields blank.
- 7 Click **Save Changes** to create the address.

Scanning to an FTP address

- 1 Make sure the printer is connected to the network through a print server, and the printer, the print server, and the computer receiving the scan are all turned on.
- 2 Load an original document faceup into the ADF or facedown on the scanner glass.

Note: Do not load postcards, photos, small items, transparencies, photo paper, or thin media (such as magazine clippings) into the ADF. Place these items on the scanner glass.
- 3 If you are loading a document into the ADF, adjust the paper guides.
- 4 From the printer control panel, press **Scan**.
- 5 Press ▲ or ▼ repeatedly until **Computer (Network)** appears, and then press **OK**.
- 6 Press ▲ or ▼ repeatedly until **Server (FTP)** appears, and then press **OK**.
- 7 Press ▲ or ▼ repeatedly to select the address that points to your computer, and then press **OK**.

- 8 If you want to adjust any scan settings, press ▲ or ▼ repeatedly to select the scan setting to modify, and then press **OK**.
- 9 Press **Start**  to begin scanning.
The printer scans the document and then places it on the FTP server.

Scanning to e-mail


Setting up the SMTP server

To use the scan to e-mail feature, you first need to set up your SMTP server information. Simple Mail Transfer Protocol (SMTP) is a protocol for sending e-mail. The following settings need to be completed in order to successfully send e-mail from the printer:

E-mail setting	Description
SMTP Server Address	Enter the address of your SMTP server. This information can be found by contacting your e-mail provider or looking on their Web site.
SMTP Server Port Number:	The port that your SMTP server uses. Unless it is specified otherwise by your e-mail provider, leave this number set to 25.
Email Send Authentication	Some SMTP servers require authentication. If your e-mail provider requires authentication, select the appropriate method from the drop-down list.
Login Name	The user name for SMTP Authentication. If authentication is not required, this field is left blank.
Password	The password for SMTP Authentication. If authentication is not required, this field is left blank.

- 1 Open a Web browser.
- 2 In the address bar, type the IP address of the printer, and then press **Enter**.
If the Java applet screen appears, click **Yes**.
- 3 Click **Properties**.
- 4 Under Protocols, click **Email Server**.
- 5 Enter your e-mail settings.
- 6 Click **Save Changes**.

Creating an e-mail address using Address Book Editor

- 1 Make sure the printer is connected to a computer with a USB cable, and both the printer and the computer are turned on.
- 2 Do one of the following:
 - In Windows Vista, click .
 - In Windows XP and earlier, click **Start**.
- 3 Click **Programs** or **All Programs** → **Lexmark Applications** → **Address Book Editor**.

- 4 In the left pane of the Address Book Editor, right-click **E-Mail**, and then select **New → New Entry**.
The E-Mail Address dialog appears.
- 5 The Address Book Editor automatically assigns the Address ID to the first empty entry. To manually specify the Address ID, click **Specify an Address Number**, and then enter a value from 1 to 100 for the desired address number.
- 6 Fill in the information for the e-mail address:
 - a In the Name field, enter the name that you want this address to appear under in the Address Book.
 - b In the E-Mail Address field, enter the e-mail address of the recipient.
- 7 To add this e-mail address to existing groups:
 - a Click **Group Membership**.
 - b Select the group(s) to add this entry to, and then click **OK**.
- 8 Click **OK**.
- 9 From the File menu, select **Save All**.
The Address Book is saved with the new entry.

Creating an e-mail address using the Embedded Web Server

- 1 Open a Web browser.
- 2 In the address bar, type the IP address of the printer, and then press **Enter**.
If the Java applet screen appears, click **Yes**.
- 3 Click **Address Book**.
- 4 Under Email Address Book, click **Individual Directory**.
- 5 In the Directory Listing, click **Add** for any blank address.
- 6 Fill in the information for the e-mail address:
 - a In the Name field, enter the name that you want this address to appear under in the Address Book.
 - b In the Email Address field, enter the e-mail address of the recipient.
- 7 Click **Save Changes** to create the address.

Creating an e-mail group using the Embedded Web Server

- 1 Open a Web browser.
- 2 In the address bar, type the IP address of the printer, and then press **Enter**.
If the Java applet screen appears, click **Yes**.
- 3 Click **Address Book**.
- 4 Under Email Address Book, click **Group Directory**.
- 5 In the Directory Listing, click **Add** for any group name.
- 6 Type a name for the group, and then click **Save Changes** to create the group.
- 7 Click **Return** to list the Group Directory.

- 8 Click **Edit** next to the group that was just created.
- 9 Select the e-mail addresses to be included in the group, and then click **Save Changes** to add the addresses to the group.

Scanning to an e-mail address

- 1 Make sure the printer is connected to the network through a print server, and the printer, the print server, and the computer receiving the scan are all turned on.
- 2 Load an original document faceup into the ADF or facedown on the scanner glass.
Note: Do not load postcards, photos, small items, transparencies, photo paper, or thin media (such as magazine clippings) into the ADF. Place these items on the scanner glass.
- 3 If you are loading a document into the ADF, adjust the paper guides.
- 4 From the printer control panel, press **E-mail**.
- 5 Press ▲ or ▼ repeatedly until **Email to** appears, and then press **OK**.
- 6 Press ▲ or ▼ repeatedly to choose the method for selecting a recipient, and then press **OK**.
- 7 If you are using the Address Book or Email Group, press ▲ or ▼ repeatedly to select the address that points to the recipient you want, and then press ► to select the address.
- 8 Repeat this to add additional addresses or groups, and then press **OK**.
Notes:
 - To change the recipient from To to BCC, or to remove the recipient from the send list, press ► repeatedly.
 - To edit the recipient list, follow the instructions at the top of the display.
- 9 If you want to adjust any scan settings, press ▲ or ▼ repeatedly to select the scan setting to modify, and then press **OK**.
Note: The scan settings are only changed temporarily. After returning to **Select Function**, the current default settings are restored.
- 10 Press **Start** ◊ to begin scanning to e-mail.
- 11 When the scan is finished, press ◀ repeatedly until **Select Function** appears.

Customizing the default scan settings from the printer control panel

Adjusting the auto exposure of scanned images

When using originals printed on thin paper, text or images printed on one side of the paper can sometimes be seen on the other side of the paper. To prevent this from happening in your scanned document, and to improve the quality for two-sided scanned pages, use the Auto Exposure setting on the printer control panel. This setting minimizes the sensitivity of the scanner to variations in light background colors.

- 1 From the printer control panel, press **System**.
- 2 Press ▲ or ▼ repeatedly until **Default Settings** appears, and then press **OK**.

- 3 Press ▲ or ▼ repeatedly until **Scan Defaults** appears, and then press **OK**.
- 4 Press ▲ or ▼ repeatedly until **Auto Expo. Level** appears, and then press **OK**.
- 5 Press ▲ or ▼ repeatedly until **Normal, Higher (1), or Higher (2)** appears, and then press **OK**.
- 6 Press ↶ repeatedly until **Select Function** appears.

Adjusting the color saturation of a scanned image

- 1 From the printer control panel, press **System**.
- 2 Press ▲ or ▼ repeatedly until **Default Settings** appears, and then press **OK**.
- 3 Press ▲ or ▼ repeatedly until **Scan Defaults** appears, and then press **OK**.
- 4 Press ▲ or ▼ repeatedly until **Contrast** appears, and then press **OK**.
- 5 Press ▲ or ▼ repeatedly to select the contrast level you want, and then press **OK**.
- 6 Press ↶ repeatedly until **Select Function** appears.

Adjusting the image compression of a scanned image

Sets the image compression for scanning. A low compression will result in a higher quality image, but the file size will be larger. To adjust the image compression:

- 1 From the printer control panel, press **System**.
- 2 Press ▲ or ▼ repeatedly until **Default Settings** appears, and then press **OK**.
- 3 Press ▲ or ▼ repeatedly until **Scan Defaults** appears, and then press **OK**.
- 4 Press ▲ or ▼ repeatedly until **Image Compression** appears, and then press **OK**.
- 5 Press ▲ or ▼ repeatedly to select the image compression you want, and then press **OK**.
- 6 Press ↶ repeatedly until **Select Function** appears.

Adjusting the scan resolution

- 1 From the printer control panel, press **System**.
- 2 Press ▲ or ▼ repeatedly until **Default Settings** appears, and then press **OK**.
- 3 Press ▲ or ▼ repeatedly until **Scan Defaults** appears, and then press **OK**.
- 4 Press ▲ or ▼ repeatedly until **Resolution** appears, and then press **OK**.
- 5 Press ▲ or ▼ repeatedly to select the resolution you want, and then press **OK**.
- 6 Press ↶ repeatedly until **Select Function** appears.

Adjusting the sharpness of a scanned image

To adjust the sharpness of a scanned image:

- 1 From the printer control panel, press **System**.
- 2 Press ▲ or ▼ repeatedly until **Default Settings** appears, and then press **OK**.

- 3 Press ▲ or ▼ repeatedly until **Scan Defaults** appears, and then press **OK**.
- 4 Press ▲ or ▼ repeatedly until **Sharpness** appears, and then press **OK**.
- 5 Press ▲ or ▼ repeatedly to select the sharpness you want, and then press **OK**.
- 6 Press ↶ repeatedly until **Select Function** appears.

Selecting the size of the document being scanned

The Document Size setting defines the size of the original document being scanned.

- 1 From the printer control panel, press **System**.
- 2 Press ▲ or ▼ repeatedly until **Default Settings** appears, and then press **OK**.
- 3 Press ▲ or ▼ repeatedly until **Scan Defaults** appears, and then press **OK**.
- 4 Press ▲ or ▼ repeatedly until **Document Size** appears, and then press **OK**.
- 5 Press ▲ or ▼ repeatedly to select the paper size you want, and then press **OK**.
- 6 Press ↶ repeatedly until **Select Function** appears.

Changing the maximum e-mail size of a scanned image

The Max Email Size setting sets the size limitation for scanned documents. To change the size limit:

- 1 From the printer control panel, press **System**.
- 2 Press ▲ or ▼ repeatedly until **Default Settings** appears, and then press **OK**.
- 3 Press ▲ or ▼ repeatedly until **Scan Defaults** appears, and then press **OK**.
- 4 Press ▲ or ▼ repeatedly until **Max Email Size** appears, and then press **OK**.
- 5 Press ▲ or ▼ repeatedly to select the file size you want, and then press **OK**.
- 6 Press ↶ repeatedly until **Select Function** appears.

Changing the scan destination

- 1 From the printer control panel, press **System**.
- 2 Press ▲ or ▼ repeatedly until **Default Settings** appears, and then press **OK**.
- 3 Press ▲ or ▼ repeatedly until **Scan Defaults** appears, and then press **OK**.
- 4 Press ▲ or ▼ repeatedly until **Scan to network** appears, and then press **OK**.
- 5 Press ▲ or ▼ repeatedly to select the scan destination you want, and then press **OK**.
- 6 Press ↶ repeatedly until **Select Function** appears.

Changing the TIFF format for a scanned image

- 1 From the printer control panel, press **System**.
- 2 Press ▲ or ▼ repeatedly until **Default Settings** appears, and then press **OK**.

- 3 Press ▲ or ▼ repeatedly until **Scan Defaults** appears, and then press **OK**.
- 4 Press ▲ or ▼ repeatedly until **TIFF File Format** appears, and then press **OK**.
- 5 Press ▲ or ▼ repeatedly to select the TIFF file format you want, and then press **OK**.
- 6 Press ⏪ repeatedly until **Select Function** appears.

Selecting the type of document being scanned

The scanner optimizes the appearance of the scanned output based on the contents of the original document. The following document types are available:

- **Text**—Used for black-and-white or colored text
- **Mixed**—Used when the original documents are a mixture of text and graphics or photos, such as magazines or newspapers
- **Photo**—Used for photo prints

- 1 From the printer control panel, press **System**.
- 2 Press ▲ or ▼ repeatedly until **Default Settings** appears, and then press **OK**.
- 3 Press ▲ or ▼ repeatedly until **Scan Defaults** appears, and then press **OK**.
- 4 Press ▲ or ▼ repeatedly until **Document Type** appears, and then press **OK**.
- 5 Press ▲ or ▼ repeatedly to select the document type you want, and then press **OK**.
- 6 Press ⏪ repeatedly until **Select Function** appears.

Making a scanned image lighter or darker

- 1 From the printer control panel, press **System**.
- 2 Press ▲ or ▼ repeatedly until **Default Settings** appears, and then press **OK**.
- 3 Press ▲ or ▼ repeatedly until **Scan Defaults** appears, and then press **OK**.
- 4 Press ▲ or ▼ repeatedly until **Lighten/Darken** appears, and then press **OK**.
- 5 Press ◀ or ▶ repeatedly to lighten or darken the scan, and then press **OK**.
- 6 Press ⏪ repeatedly until **Select Function** appears.

Setting the scan color mode

You can scan an image in color or in black and white. Scanning in black-and-white significantly reduces the file size of the scanned images. An image scanned in color will have a larger file size than the same image scanned in black and white.

- 1 From the printer control panel, press **System**.
- 2 Press ▲ or ▼ repeatedly until **Default Settings** appears, and then press **OK**.
- 3 Press ▲ or ▼ repeatedly until **Scan Defaults** appears, and then press **OK**.
- 4 Press ▲ or ▼ repeatedly until **Color** appears, and then press **OK**.

- 5 Press ▲ or ▼ repeatedly to select the color mode you want, and then press **OK**.
- 6 Press ↩ repeatedly until **Select Function** appears.

Setting the scanned image file type

- 1 From the printer control panel, press **System**.
- 2 Press ▲ or ▼ repeatedly until **Default Settings** appears, and then press **OK**.
- 3 Press ▲ or ▼ repeatedly until **Scan Defaults** appears, and then press **OK**.
- 4 Press ▲ or ▼ repeatedly until **File Format** appears, and then press **OK**.
- 5 Press ▲ or ▼ repeatedly to select the file type you want, and then press **OK**.
- 6 Press ↩ repeatedly until **Select Function** appears.

Customizing the scan settings for an individual scan job

Customizing the scan settings when scanning to e-mail

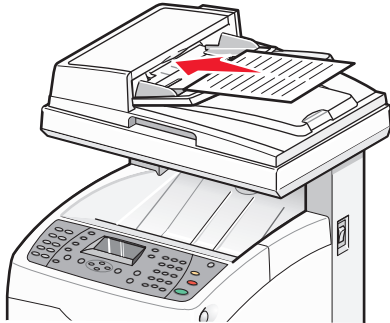
- 1 From the printer control panel, press **E-mail**.
- 2 Press ▲ or ▼ repeatedly until the scan setting you want appears, and then press **OK**.
- 3 Change the selected setting, and then press **OK**.

Customizing the scan settings when scanning to a computer

- 1 From the printer control panel, press **Scan**.
- 2 Press ▲ or ▼ repeatedly until the scan destination you want appears, and then press **OK**.
- 3 Press ▲ or ▼ repeatedly until the scan setting you want appears, and then press **OK**.
- 4 Change the selected setting, and then press **OK**.

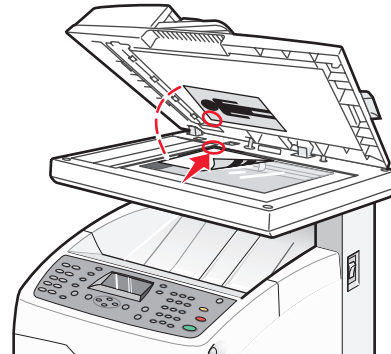
Faxing

Automatic Document Feeder (ADF)



Use the Automatic Document Feeder (ADF) for multiple-page A4-, letter-, or legal-size documents.

Scanner glass



Use the scanner glass for single pages, small items (such as postcards or photos), transparencies, photo paper, or thin media (such as magazine clippings).

Sending a fax




Note: New Zealand telecom users: If a charge for local calls is unacceptable, *do not* use the “Dial” button for local calls. Only the seven digits of the local number should be dialed from your telephone. *Do not* dial the area code digit or the “0” prefix.

Sending a fax using the ADF

- 1 Make sure the printer is on and is connected to a working phone line.
- 2 Load an original document faceup, short edge first into the ADF.
Note: Do not load postcards, photos, small items, transparencies, photo paper, or thin media (such as magazine clippings) into the ADF. Place these items on the scanner glass.
- 3 Adjust the paper guides.
- 4 From the printer control panel, press **Fax**.
- 5 Press ▲ or ▼ repeatedly until **Fax to** appears, and then press **OK**.
- 6 Press ▲ or ▼ repeatedly to select the type of recipient, and then press **OK**.
- 7 Press **Start** ◊ to start the fax job.


Sending a fax using the scanner glass

- 1 Make sure the printer is on and is connected to a working phone line.
- 2 Place the first page facedown on the scanner glass.
- 3 Press ▲ or ▼ repeatedly until **Fax to** appears, and then press **OK**.
- 4 Press ▲ or ▼ repeatedly to select the type of recipient, and then press **OK**.

- 5 Press **Start**  to start the fax job.
After the page is scanned, **Another Page?** appears. Press **▲** or **▼** repeatedly to select **No** or **Yes**, and then press **OK**.
- 6 If you want to send a single page, select **No**, and then press  repeatedly until **Select Function** appears.
- 7 If you want to send more than one page, select **Yes**. **Place Next Page** appears. Place the next page facedown on the scanner glass. Press **▲** or **▼** repeatedly to select **Continue**, and then press **OK**.
- 8 Repeat step 7 for all necessary pages. When finished, choose **No**, and then press  repeatedly until **Select Function** appears.

Sending a broadcast fax

You can send the same fax to more than one fax number. You can include Address Book numbers, Group Dial numbers, and one manually dialed number in the same broadcast.

- 1 Make sure the printer is on and is connected to a working phone line.
- 2 Load an original document faceup, short edge first into the ADF or facedown on the scanner glass.
Note: Do not load postcards, photos, small items, transparencies, photo paper, or thin media (such as magazine clippings) into the ADF. Place these items on the scanner glass.
- 3 If you are loading a document into the ADF, adjust the paper guides.
- 4 From the printer control panel, press **Fax**.
- 5 Press **▲** or **▼** repeatedly until **Fax to** appears, and then press **OK**.
- 6 Press **▲** or **▼** repeatedly to choose the type of recipient, and then press **OK**.
- 7 Repeat step 6 to add additional recipients.
- 8 Press **Start**  to start the fax job.

Inserting a pause in a fax number

Some fax numbers require one or more pauses during the dialing sequence.

- 1 Make sure the printer is on and is connected to a working phone line.
- 2 Load an original document faceup, short edge first into the ADF or facedown on the scanner glass.
Note: Do not load postcards, photos, small items, transparencies, photo paper, or thin media (such as magazine clippings) into the ADF. Place these items on the scanner glass.
- 3 If you are loading a document into the ADF, adjust the paper guides.
- 4 From the printer control panel, press **Fax**.
- 5 Press **▲** or **▼** repeatedly until **Fax to** appears, and then press **OK**.
- 6 Press **▲** or **▼** repeatedly until **Fax Number** appears, and then press **OK**.


7 Use the keypad to enter the fax number. Press **Redial/Pause** to insert a pause (represented by a hyphen, "-") in the fax number where appropriate, and then press **OK**.

Note: Pressing **Redial/Pause** multiple times adds additional pauses.

8 Press **Start**  to start the fax job.

Setting up the Address Book for faxing

Creating a fax number entry using Address Book Editor

- 1 Make sure the printer is connected to a computer with a USB cable, and both the printer and the computer are turned on.
- 2 Do one of the following:
 - In Windows Vista, click .
 - In Windows XP and earlier, click **Start**.
- 3 Click **Programs** or **All Programs** → **Lexmark Applications** → **Address Book Editor**.
- 4 In the left pane of the Address Book Editor, right-click **Fax**, and then select **New**.
The Speed Dial dialog appears.
- 5 The Address Book Editor automatically assigns the Speed Dial number to the first empty entry. To manually specify the Speed Dial number, click **Specify an Address Number**, and then enter a value from 1 to 200.
- 6 Create a fax number entry, and add it to one or more groups:
 - a Type in a value for Name and Phone Number.
 - b Click **Group Membership**.
 - c Select the group(s) to add this entry to, and then click **OK**.
- 7 Confirm the group members, and then click **OK**.
- 8 From the File menu, select **Save All**.
The Address Book is saved with the new fax entry.

Creating a fax number entry using the Embedded Web Server

- 1 Open a Web browser.
- 2 In the address bar, type the IP address of the printer, and then press **Enter**.
If the Java applet screen appears, click **Yes**.
- 3 Click **Address Book**.
- 4 Under Fax Address Book, click **Individual Directory**.
- 5 In the Directory Listing, click **Add** for any blank address.


- 6 Fill in the information for the individual:
 - a In the Name field, enter the name that you want this address to appear under in the Address Book.
 - b In the Phone Number field, enter the phone number of the recipient.
- 7 Click **Save Changes** to create the phone number.

Note: The first ten entries in the Address Book correspond to the ten One Touch Buttons found on the printer control panel.

Creating a fax number entry using the printer control panel

- 1 Make sure the printer is on and **Select Function** appears.
- 2 From the printer control panel, press **System**.
- 3 Press ▲ or ▼ repeatedly until **Admin Menu** appears, and then press **OK**.
- 4 Press ▲ or ▼ repeatedly until **Address Book** appears, and then press **OK**.
- 5 Press ▲ or ▼ repeatedly until **Speed Dial** appears, and then press **OK**.
- 6 Press ▲ or ▼ repeatedly to select a Speed Dial entry that is not in use, and then press **OK**.
- 7 Press ▲ or ▼ repeatedly until **Name** appears, and then press **OK**.
- 8 Use the keypad to type the name, and then press **OK**.
- 9 Press ▲ or ▼ repeatedly until **Fax Number** appears, and then press **OK**.
- 10 Use the keypad to type the fax number, and then press **OK**.
- 11 Press ▲ or ▼ repeatedly until **Apply Settings** appears, and then press **OK**.
- 12 Press ↶ repeatedly until **Select Function** appears.

Creating a fax group using Address Book Editor

- 1 Make sure the printer is connected to a computer with a USB cable, and both the printer and the computer are turned on.
- 2 Do one of the following:
 - In Windows Vista, click .
 - In Windows XP and earlier, click **Start**.
- 3 Click **Programs** or **All Programs** → **Lexmark Applications** → **Address Book Editor**.
- 4 In the left pane of the Address Book Editor, right-click **Fax**, and then select **New** → **New Group**.
The Group Dial dialog appears.
- 5 The Address Book Editor automatically assigns the Group ID to the first empty entry. To manually specify the Group ID, click **Specify an Address Number**, and then enter a value from 1 to 6.
- 6 Type a group name.
- 7 Click **Group Membership**.
- 8 Select group members from the list on the left side of the screen, click **Add** to add them to the group, and then click **OK**.

- 9 Click **OK** to create the group.
- 10 Confirm the group members, and then click **OK**.
- 11 From the File menu, select **Save All**.
The Address Book is saved with the new fax group.


Creating a fax group using the Embedded Web Server

- 1 Make sure the printer is on and **Select Function** appears.
- 2 Open a Web browser.
- 3 In the address bar, type the IP address of the printer, and then press **Enter**.
If the Java applet screen appears, click **Yes**.
- 4 Click **Address Book**.
- 5 Under Fax Address Book, click **Group Directory**.
- 6 In the Directory Listing, click **Add** for any blank group.
- 7 Type a group name, and then click **Save Changes**.
- 8 Click **Return** when you receive a Request Acknowledged message.
- 9 Click **Edit** for the group you just created.
- 10 Select the check box next to each name that you want to be in the group.
- 11 Click **Save Changes**.
The new group is saved to the printer address book.

Creating a fax group using the printer control panel

- 1 Make sure the printer is on and **Select Function** appears.
- 2 From the printer control panel, press **System**.
- 3 Press ▲ or ▼ repeatedly until **Admin Menu** appears, and then press **OK**.
- 4 Press ▲ or ▼ repeatedly until **Address Book** appears, and then press **OK**.
- 5 Press ▲ or ▼ repeatedly until **Group Dial** appears, and then press **OK**.
- 6 Press ▲ or ▼ repeatedly to select a Speed Dial entry that is not in use, and then press **OK**.
- 7 Press ▲ or ▼ repeatedly until **Name** appears, and then press **OK**.
- 8 Use the keypad to type the name, and then press **OK**.
- 9 Press ▲ or ▼ repeatedly until **Speed Dial No** appears, and then press **OK**.
- 10 Press ▲ or ▼ repeatedly to select the names you want to add to the group, and then press ► to add each name.
- 11 Press **OK** when you are finished selecting Speed Dial numbers.
- 12 Press ▲ or ▼ repeatedly until **Apply Settings** appears, and then press **OK**.
- 13 Press ⏪ repeatedly until **Select Function** appears.

Canceling a fax job

To cancel a print job, press **Stop**  at any time.

Receiving a fax

Understanding the fax receive modes

Fax receive mode	Description
TEL Mode	Automatic fax reception is turned off. You can receive a fax by picking up the handset of the external phone and then pressing the remote receive code, or by setting On Hook to On (so you can hear voice or fax tones from the remote machine) and then pressing Start .
FAX Mode	A fax is automatically received.
TEL/FAX Mode	When the printer receives an incoming fax, the external telephone rings for the time specified by Auto Ans. TEL/FAX, and then the printer automatically receives the fax. If incoming data is not a fax, the printer sounds a beep over the internal speaker.
Ans/FAX Mode	The printer can share one telephone line with an answering machine. In this mode, the printer monitors the fax signal and picks up the line if there are fax tones. If the phone communication in your country or region is serial, this mode is not available.
DRPD Mode	Before using the Distinctive Ring Pattern Detection (DRPD) option, distinctive ring service must be installed on your telephone line by the telephone company. After the telephone company has provided a separate number for faxing with a distinctive ring pattern, configure the fax setup to monitor for that specific ring pattern.

Setting the fax receive mode

- 1 Make sure the printer is on and **Select Function** appears.
- 2 From the printer control panel, press **System**.
- 3 Press **▲** or **▼** repeatedly until **Admin Menu** appears, and then press **OK**.
- 4 Press **▲** or **▼** repeatedly until **Fax Settings** appears, and then press **OK**.
- 5 Press **▲** or **▼** repeatedly until **Ans Select** appears, and then press **OK**.
- 6 Press **▲** or **▼** repeatedly to select the fax mode you want, and then press **OK**.
- 7 Press **↶** repeatedly until **Select Function** appears.

Enabling secure faxes

When the Secure Receive Lock option is enabled, a password is required before faxes can be printed or removed.

- 1 Make sure the printer is on and **Select Function** appears.
- 2 From the printer control panel, press **System**.
- 3 Press ▲ or ▼ repeatedly until **Admin Menu** appears, and then press **OK**.
- 4 Press ▲ or ▼ repeatedly until **Secure Settings** appears, and then press **OK**.
- 5 Press ▲ or ▼ repeatedly until **Panel Lock** appears, and then press **OK**.
- 6 Press ▲ or ▼ repeatedly until **Enable** appears, and then press **OK**.
- 7 Press ↩ once.
- 8 Press ▲ or ▼ repeatedly until **Secure Receive** appears, and then press **OK**.
- 9 Press **OK**.
- 10 Press ▲ or ▼ repeatedly until **Enable** appears, and then press **OK**.
- 11 Press ▲ or ▼ repeatedly until **Change Password** appears, and then press **OK**.
Enter a four-digit password, and then press **OK**.
- 12 Press ↩ repeatedly until **Select Function** appears.

Printing secure faxes

If the Secure Receive Lock option is enabled, you must enter your numeric password to print a received fax.

- 1 From the printer control panel, press **Job Status**.
- 2 Press ▲ or ▼ repeatedly until **Walk-Up Features** appears, and then press **OK**.
- 3 Press ▲ or ▼ repeatedly until **Secure Print** appears, and then press **OK**.
- 4 When prompted, enter the four-digit password, and then press **OK**.
The received faxes are printed.

Adjusting fax activity report settings

The printer can be set to print an activity report automatically (Print Always), or only when an error occurs (Print at Error). You can print reports of faxes sent and/or received.

- 1 Make sure the printer is on and **Select Function** appears.
- 2 From the printer control panel, press **System**.
- 3 Press ▲ or ▼ repeatedly until **Admin Menu** appears, and then press **OK**.
- 4 Press ▲ or ▼ repeatedly until **System Settings** appears, and then press **OK**.
- 5 Press ▲ or ▼ repeatedly until **Fax Transmit** appears, and then press **OK**.
- 6 Press ▲ or ▼ repeatedly to select the print option you want, and then press **OK**.

Printing fax reports

Several fax reports are available to provide information about faxing activities, directories, and pending jobs. The Speed Dial report and the Address Book report display information about fax numbers and individual or group recipients. The Fax Activity report provides information about completed fax jobs. The Fax Pending report provides a list of faxes waiting to be sent. To print a fax report:

- 1 Make sure the printer is on and **Select Function** appears.
- 2 From the printer control panel, press **System**.
- 3 Press ▲ or ▼ repeatedly until **Admin Menu** appears, and then press **OK**.
- 4 Press ▲ or ▼ repeatedly until **Admin Reports** appears, and then press **OK**.
- 5 Press ▲ or ▼ repeatedly to select the report you want, and then press **OK**.
The selected report prints, and the printer returns to **Select Function**.

Sending a fax at a specified time

To send a fax at a specified time (within 24 hours):

- 1 From the printer control panel, press **Fax**.
- 2 Press ▲ or ▼ repeatedly until **Delayed Start** appears, and then press **OK**.
- 3 Press ▲ or ▼ repeatedly until **On** appears, and then press **OK**.
- 4 Use the keypad to enter the time, and then press ◀ or ▶ to move to the next digit. After the time is entered, press **OK**.
- 5 Press ▲ or ▼ repeatedly until **Fax to** appears, and then press **OK**.

Enabling Color Fax

- 1 From the printer control panel, press **System**.
- 2 Press ▲ or ▼ repeatedly until **Admin Menu** appears, and then press **OK**.
- 3 Press ▲ or ▼ repeatedly until **Fax Settings** appears, and then press **OK**.
- 4 Press ▲ or ▼ repeatedly until **Color Fax** appears, and then press **OK**.
- 5 Press ▲ or ▼ repeatedly until **On** appears, and then press **OK**.

Note: Changing the Color Fax setting requires that the printer be turned off and then on again.

- 6 Press ↶ repeatedly until **Select Function** appears.

Notes:

- Color fax transmission is not available during the transmission or reception of other data.
- When the scanner glass is used for Color Fax, only one page can be scanned for one job.
- Color Fax may not work properly if the receiving or sending end is not a color fax machine.
- Color Fax is not available for group faxing.

Limiting access to fax and scan operations

Enabling the Scan/Fax Lock option limits access to fax and scan operations by requiring a password to be entered before faxing or scanning.

- 1 Make sure the printer is on and **Select Function** appears.
- 2 From the printer control panel, press **System**.
- 3 Press ▲ or ▼ repeatedly until **Admin Menu** appears, and then press **OK**.
- 4 Press ▲ or ▼ repeatedly until **Secure Settings** appears, and then press **OK**.
- 5 Press ▲ or ▼ repeatedly until **Panel Lock** appears, and then press **OK**.
- 6 Press ▲ or ▼ repeatedly until **Enable** appears, and then press **OK**.
- 7 Press ↩ once.
- 8 Press ▲ or ▼ repeatedly until **Scan/Fax Lock** appears, and then press **OK**.
- 9 Press **OK**.
- 10 Press ▲ or ▼ repeatedly until **Enable** appears, and then press **OK**.
- 11 Press ▲ or ▼ repeatedly until **Change Password** appears, and then press **OK**.
Enter a four-digit password, and then press **OK**.
Note: The factory default password is 0000.
- 12 Press ↩ repeatedly until **Select Function** appears.

Limiting who can send faxes to the printer

When the Junk Fax Filter setting is enabled, the printer prints only those faxes that are received from phone numbers in the address book. To turn on the junk fax filter:

- 1 Make sure the printer is on and **Select Function** appears.
- 2 From the printer control panel, press **System**.
- 3 Press ▲ or ▼ repeatedly until **Admin Menu** appears, and then press **OK**.
- 4 Press ▲ or ▼ repeatedly until **Fax Settings** appears, and then press **OK**.
- 5 Press ▲ or ▼ repeatedly until **Junk Fax Filter** appears, and then press **OK**.
- 6 Press ▲ or ▼ repeatedly until **On** appears, and then press **OK**.
The printer must be restarted before the settings take effect. Press **OK** to continue.
- 7 Press ↩ repeatedly until **Select Function** appears.

Notes:

- When using the Junk Fax Filter option, you must set the outgoing fax number on the printer.
- Faxes are received only from phone numbers in the printer address book.
- Make sure the sender of a fax registers their own phone number on their fax machine correctly. Otherwise, the printer may not recognize the sender's phone number even if it is in the address book of the printer.

Customizing dial settings

Setting the dialing mode

Depending on the type of phone line being used, the printer can be set to Touch Tone (PB) or Pulse (DP) dialing. The factory default setting is Touch Tone.

- 1 Make sure the printer is on and **Select Function** appears.
- 2 From the printer control panel, press **System**.
- 3 Press ▲ or ▼ repeatedly until **Admin Menu** appears, and then press **OK**.
- 4 Press ▲ or ▼ repeatedly until **Fax Settings** appears, and then press **OK**.
- 5 Press ▲ or ▼ repeatedly until **Dialing Type** appears, and then press **OK**.
- 6 Press ▲ or ▼ repeatedly to select the dialing mode you want, and then press **OK**.
- 7 Press ↶ repeatedly until **Select Function** appears.

Adjusting the volume

The volume can be adjusted for incoming faxes.

To set the volume:

- 1 Make sure the printer is on and **Select Function** appears.
- 2 From the printer control panel, press **System**.
- 3 Press ▲ or ▼ repeatedly until **Admin Menu** appears, and then press **OK**.
- 4 Press ▲ or ▼ repeatedly until **Fax Settings** appears, and then press **OK**.
- 5 Press ▲ or ▼ repeatedly until **Ring Tone Volume** appears, and then press **OK**.
- 6 Press ▲ or ▼ repeatedly to select the volume you want, and then press **OK**.
The printer must be restarted before the settings take effect. Press **OK** to continue.
- 7 Press ↶ repeatedly until **Select Function** appears.

Setting up to fax while behind a PBX

If the printer is being used in a business or office, it may be connected to a Private Branch Exchange (PBX) telephone system. Ordinarily, when dialing a fax number, the printer waits to recognize the dial tone and then dials the fax number. However, this method of dialing may not work if the PBX telephone system uses a dial tone that is not recognizable to most fax machines. PBX enables the printer to dial the fax number without waiting to recognize the dial tone.

- 1 Make sure the printer is on and **Select Function** appears.
- 2 From the printer control panel, press **System**.
- 3 Press ▲ or ▼ repeatedly until **Admin Menu** appears, and then press **OK**.
- 4 Press ▲ or ▼ repeatedly until **Fax Settings** appears, and then press **OK**.
- 5 Press ▲ or ▼ repeatedly until **Line Type**, appears, and then press **OK**.

6 Press ▲ or ▼ repeatedly until **PBX** appears, and then press **OK**.

The printer must be restarted before the settings take effect. Press **OK** to continue.

7 Press ↩ repeatedly until **Select Function** appears.

Setting the time delay before receiving a fax automatically

The Auto Answer receive mode specifies how long the printer waits before answering an incoming call. The time ranges from 0 to 255 seconds.

1 Make sure the printer is on and **Select Function** appears.

2 From the printer control panel, press **System**.

3 Press ▲ or ▼ repeatedly until **Admin Menu** appears, and then press **OK**.

4 Press ▲ or ▼ repeatedly until **Fax Settings** appears, and then press **OK**.

5 Press ▲ or ▼ repeatedly until **Auto Answer Fax**, **Auto Answer TEL/FAX**, or **Auto Answer Ans/FAX** appears, and then press **OK**.

Note: Select the receive mode the printer is currently set for.

6 Press ▲ or ▼ repeatedly to select the delay time you want, and then press **OK**.

The printer must be restarted before the settings take effect. Press **OK** to continue.

7 Press ↩ repeatedly until **Select Function** appears.

When the time elapses, the printer automatically receives the incoming fax.

Customizing the default fax settings from the printer control panel

Adjusting the fax resolution

1 From the printer control panel, press **System**.

2 Press ▲ or ▼ repeatedly until **Default Settings** appears, and then press **OK**.

3 Press ▲ or ▼ repeatedly until **Fax Defaults** appears, and then press **OK**.

4 Press ▲ or ▼ repeatedly until **Resolution** appears, and then press **OK**.

5 Press ▲ or ▼ repeatedly to select the desired resolution, and then press **OK**.

6 Press ↩ repeatedly until **Select Function** appears.

Selecting the type of document being faxed

The scanner optimizes the appearance of the fax being sent based on the contents of the original document. The following document types are available:

- **Text**—Used for black-and white or colored text
- **Mixed**—Used when the original documents are a mixture of text and graphics or photos, such as magazines or newspapers

- **Photo**—Used for photograph prints

- 1 From the printer control panel, press **System**.
- 2 Press ▲ or ▼ repeatedly until **Default Settings** appears, and then press **OK**.
- 3 Press ▲ or ▼ repeatedly until **Fax Defaults** appears, and then press **OK**.
- 4 Press ▲ or ▼ repeatedly until **Document Type** appears, and then press **OK**.
- 5 Press ▲ or ▼ repeatedly to select the document type you want, and then press **OK**.
- 6 Press ↩ repeatedly until **Select Function** appears.

Making a fax lighter or darker

- 1 From the printer control panel, press **System**.
- 2 Press ▲ or ▼ repeatedly until **Default Settings** appears, and then press **OK**.
- 3 Press ▲ or ▼ repeatedly until **Fax Defaults** appears, and then press **OK**.
- 4 Press ▲ or ▼ repeatedly until **Lighten/Darken** appears, and then press **OK**.
- 5 Press ◀ or ▶ repeatedly to lighten or darken the fax, and then press **OK**.
- 6 Press ↩ repeatedly until **Select Function** appears.

Setting the delayed start time

To delay when faxes are sent, set the default time for delayed start faxing (within 24 hours):

- 1 From the printer control panel, press **System**.
- 2 Press ▲ or ▼ repeatedly until **Default Settings** appears, and then press **OK**.
- 3 Press ▲ or ▼ repeatedly until **Fax Defaults** appears, and then press **OK**.
- 4 Press ▲ or ▼ repeatedly until **Delayed Start** appears, and then press **OK**.
- 5 Use the keypad to enter the time, and then press ◀ or ▶ to move to the next digit. After the time is entered, press **OK**.
- 6 Press ↩ repeatedly until **Select Function** appears.

Customizing the fax settings for an individual fax job

- 1 From the printer control panel, press **Fax**.
- 2 Press ▲ or ▼ repeatedly until the fax setting you want appears, and then press **OK**.
- 3 Change the selected setting, and then press **OK**.
- 4 Press ▲ or ▼ repeatedly until **Fax to** appears, and then press **OK**.

Clearing jams

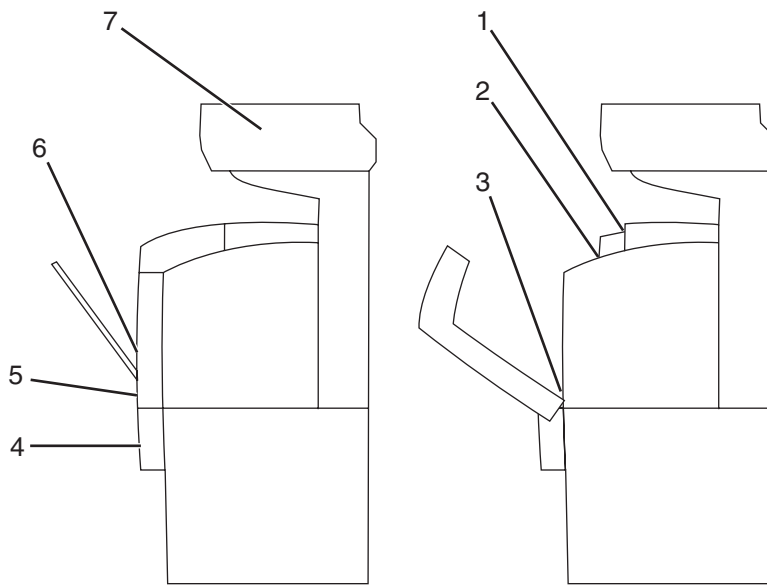
Avoiding jams

The following hints can help you avoid jams:

- Use only recommended paper or specialty media.
For more information, see the *Card Stock & Label Guide* available on the Lexmark Web site at www.lexmark.com/publications.
- Do not load too much paper. Make sure the stack height does not exceed the indicated maximum height.
- Do not load wrinkled, creased, damp, or curled paper.
- Flex, fan, and straighten paper before loading it.
- Do not use paper that has been cut or trimmed by hand.
- Do not mix paper sizes, weights, or types in the same stack.
- Store the paper in an appropriate environment.
- Do not remove trays while the printer is printing.
- Push all trays in firmly after loading paper.
- Make sure the guides in the trays are properly positioned, and are not pressing too tightly against the paper.
- Make sure all printer cables are attached correctly. For more information, see the setup documentation.

Understanding jam messages and locations

Open doors and covers, and remove trays to access jam locations. The illustration shows possible jam locations. To resolve any jam message, you must clear all paper from the paper path.



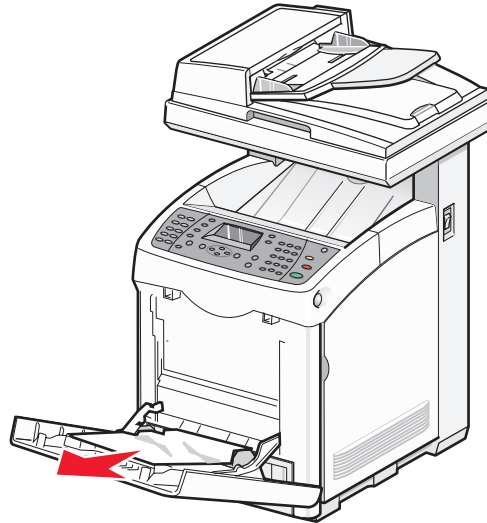
	Jam message	Area name
1	Jam at Exit Open Door A	Fuser top
2	Jam at Reg. Roll Open Door A	Fuser bottom
3	Jam at Duplexer Open Door A Lift Belt Unit	Optional duplex unit
4	Jam at Tray 3 Open Tray 3 Open Door A	Optional 550-sheet tray (Tray 3)
5	Jam at Tray 2 Open Tray 2 Open Door A	Standard tray (Tray 2)
6	Jam at Tray 1 Check Tray 1 Open Door A	Multipurpose Feeder (Tray 1)
7	Jam at Scanner Open ADF Cover R and Remove Paper Turn the Green Dial to Remove Paper	ADF tray

Clearing jams


Clearing Tray 1 (MPT) jams

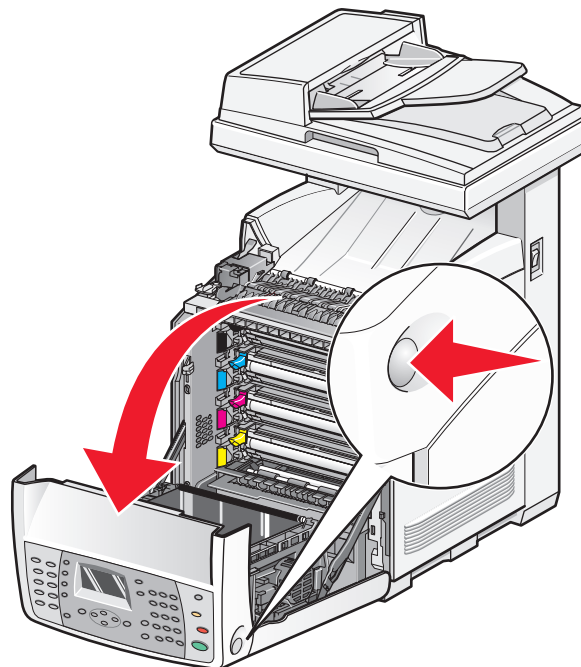
If the paper did not feed from the multipurpose feeder correctly, **Jam at Tray 1** appears.

- 1 Pull the jammed paper out of the multipurpose feeder tray, and then remove any remaining paper from the tray.

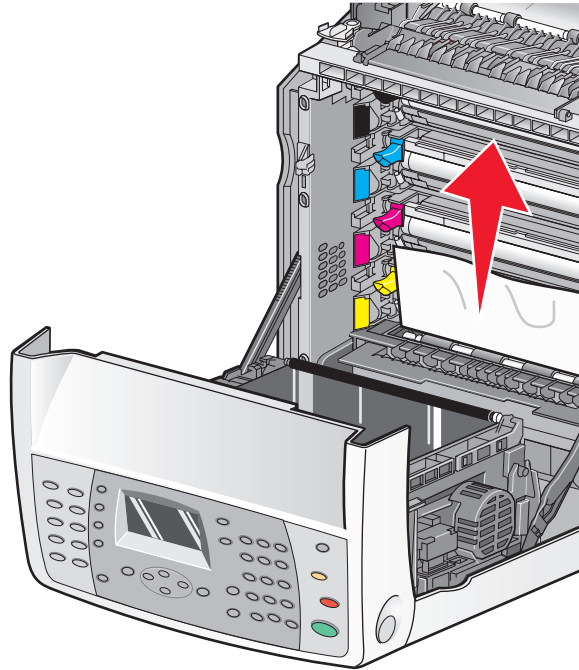


- 2 Push the release button, and gently lower the front door.

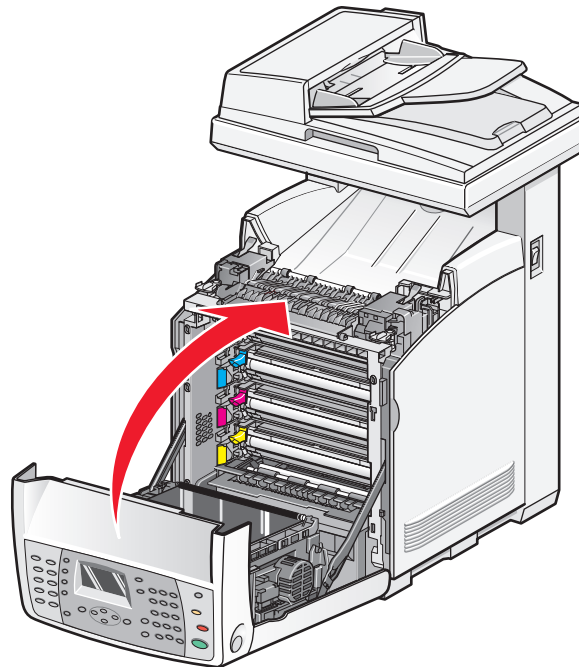
 **CAUTION—HOT SURFACE:** To reduce the risk of injury from a hot component, allow the surface to cool before touching it.



3 Remove any jammed paper from inside the printer.



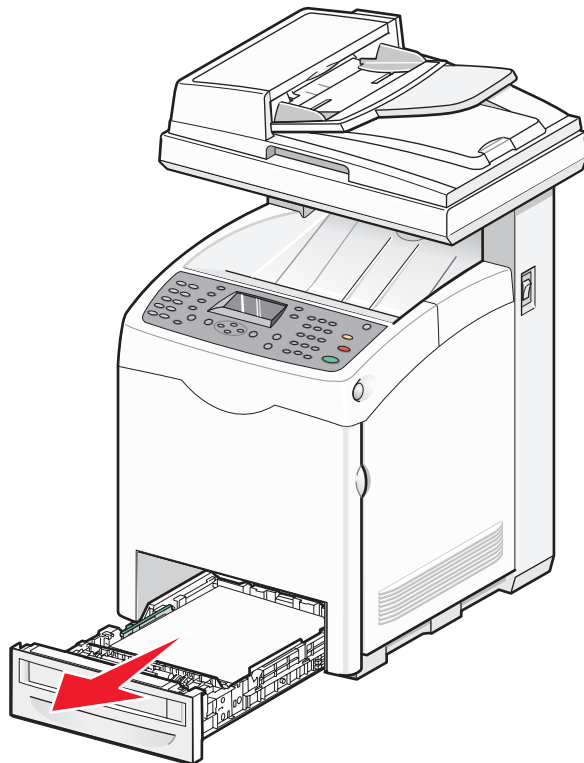
4 Close the front door.



Clearing jams

101

5 Grasp the handle, and pull Tray 1 out. Remove the tray completely.



Clearing jams

102

6 Remove any jammed paper from inside the tray housing.



7 Align the tray, and insert it.

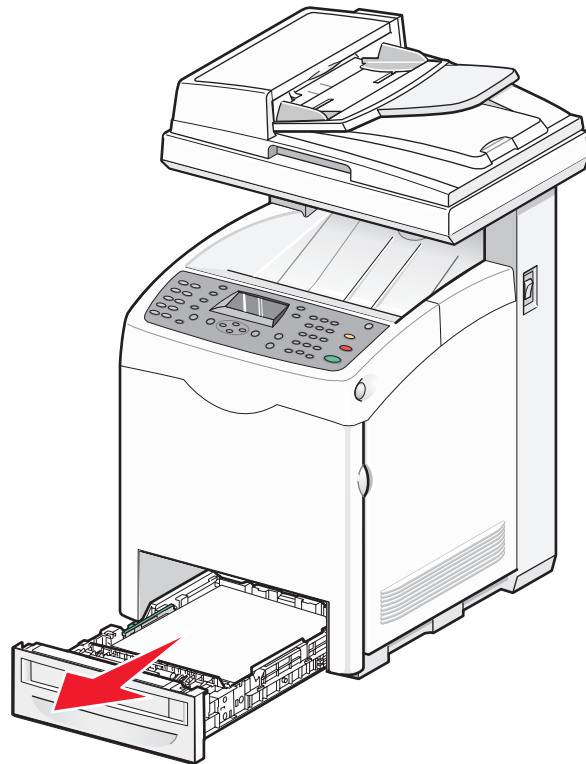
Clearing jams

103

Clearing Tray 2 jams

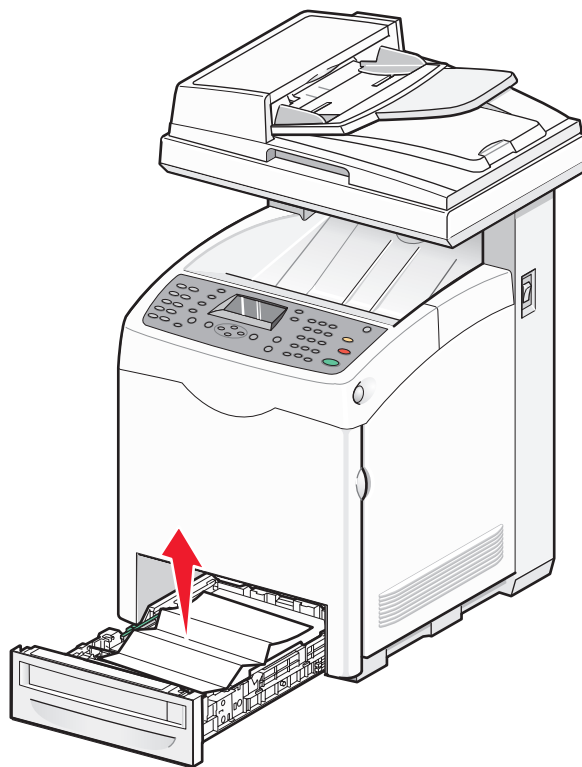
If the paper did not feed from Tray 2 correctly, the jam is in the tray. **Jam at Tray 2** appears.

- 1 Grasp the handle, and pull Tray 1 out. Remove the tray completely.



2 Remove the jam. The jam could be in the tray or behind the tray area.


- **Jams in the tray**—Locate the single piece of paper lying on top of the stack. Pull it straight out.

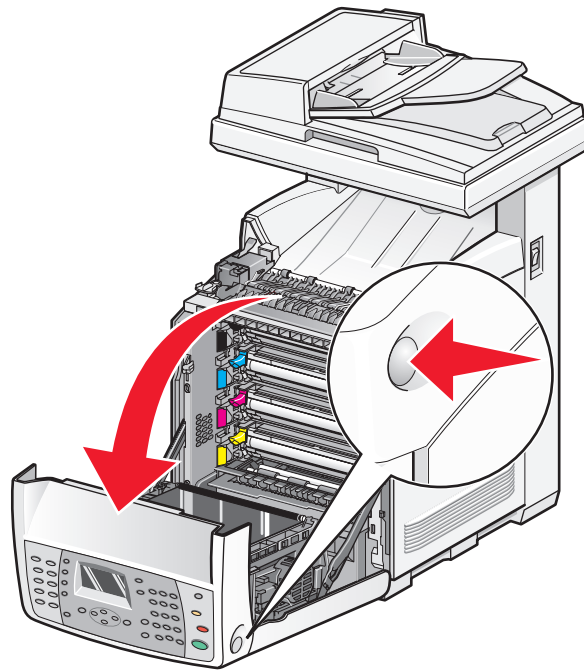


- **Jams behind the tray area**—Locate the jam on the bottom surface of the tray housing. You may have to reach far under the printer to locate the jam, as shown in the following illustration. Pull the jam straight out.

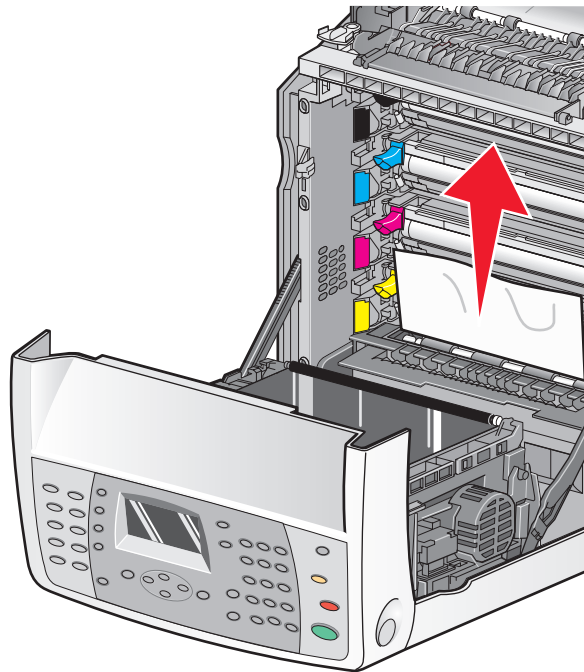


- 3 Align the tray, and insert it.
- 4 Push the release button, and gently lower the front door.

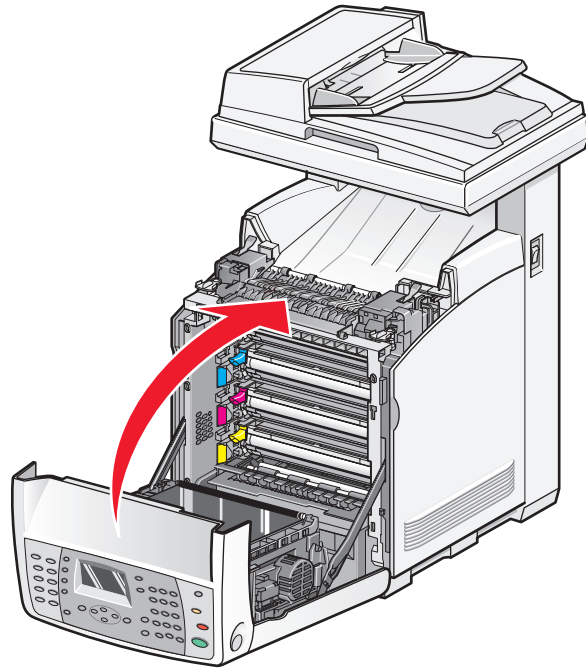
 **CAUTION—HOT SURFACE:** To reduce the risk of injury from a hot component, allow the surface to cool before touching it.



5 Remove any jammed paper from inside the printer.



6 Close the front door.



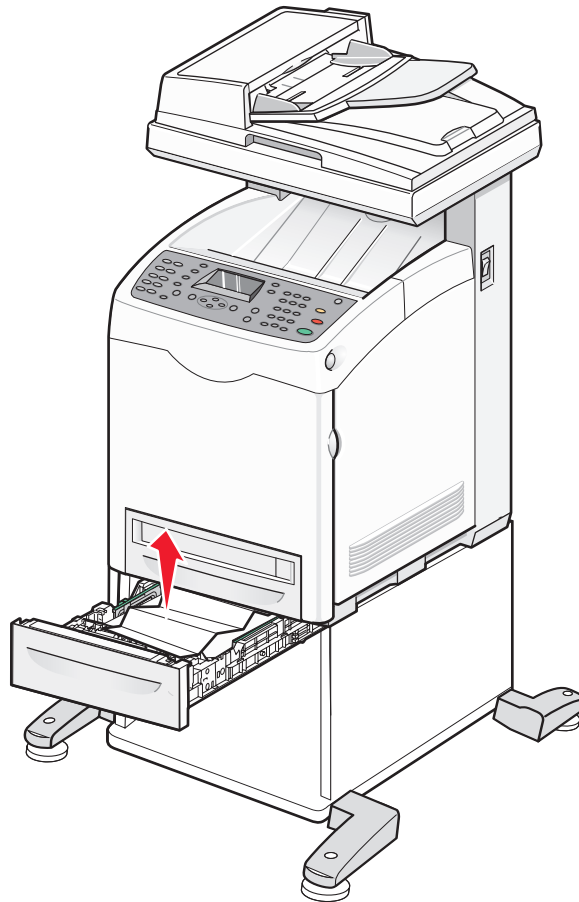
Clearing jams

108

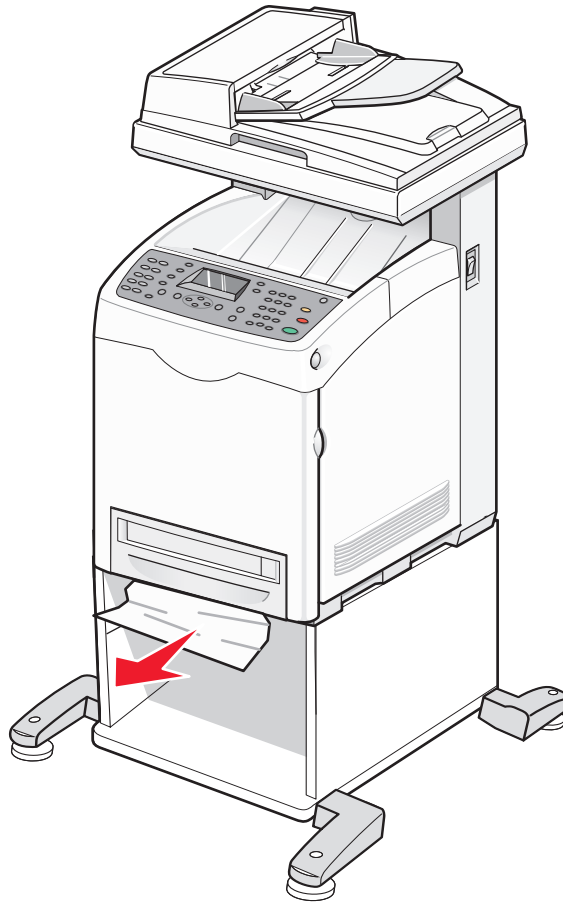
Clearing Tray 3 jams

If the paper did not feed from Tray 3 correctly, the jam is in the tray. **Jam at Tray 3** appears.


- 1 Grasp the handle, and pull Tray 3 out. Remove the tray completely.
- 2 Remove the jam. The jam could be in the tray or behind the tray area.
 - **Jams in the tray**—Locate the single piece of paper lying on top of the stack. Pull it straight out.

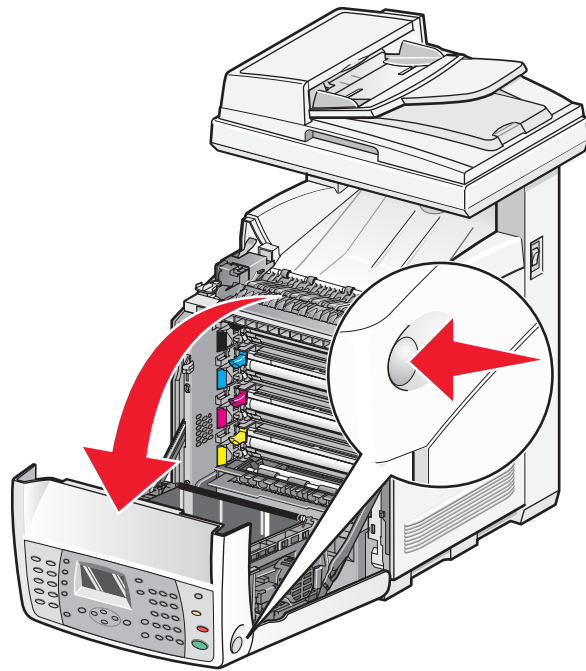


- **Jams behind the tray area**—Locate the jam on the bottom surface of the tray housing. You may have to reach far under the printer to locate the jam, as shown in the following illustration. Pull the jam straight out.

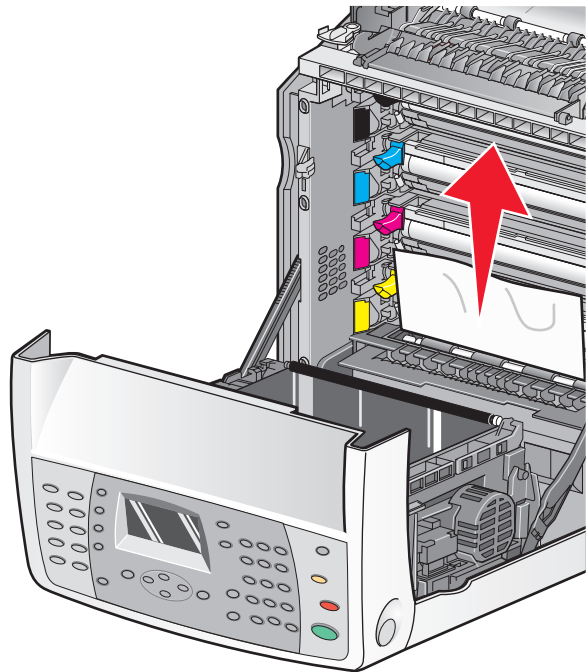


- 3 Align the tray, and insert it.
- 4 Push the release button, and gently lower the front door.

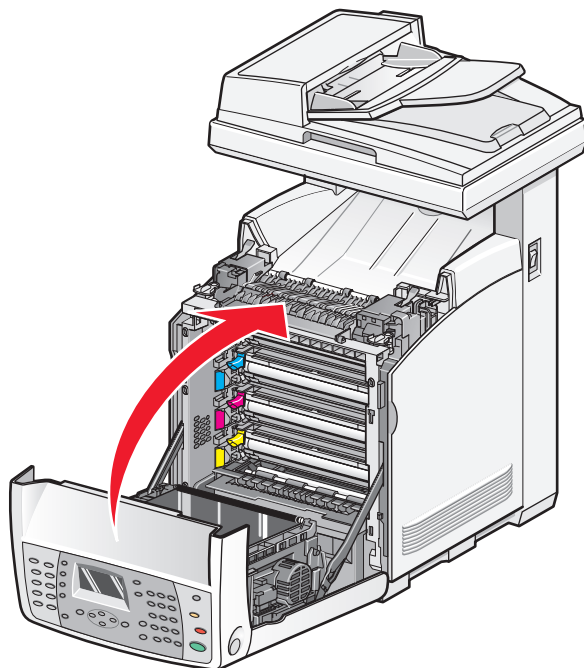
 **CAUTION—HOT SURFACE:** To reduce the risk of injury from a hot component, allow the surface to cool before touching it.



5 Remove any jammed paper from inside the printer.



6 Close the front door.




Clearing jams

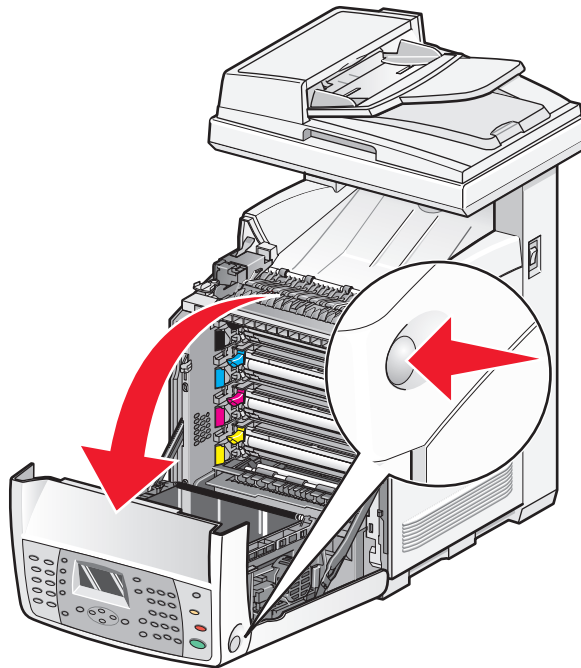
112

Clearing jams in the fuser

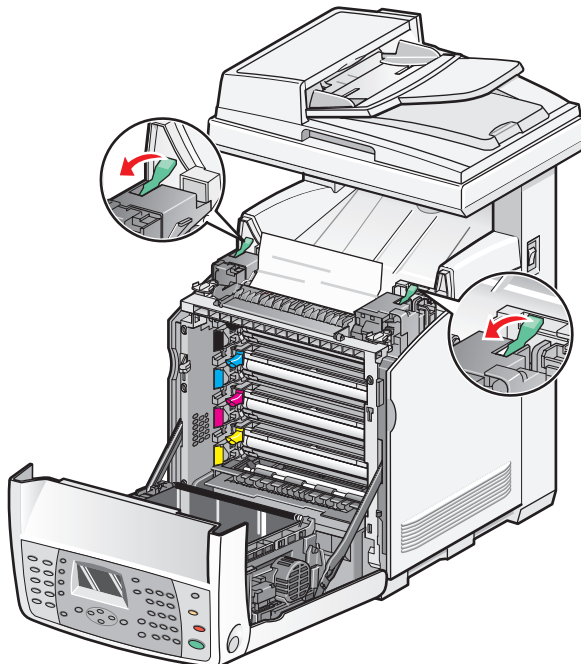
If the paper is jammed in the fuser area, **Jam at Exit** or **Jam at Reg. Roll** appears. A **Jam at Reg. Roll** message indicates the paper is jammed below the fuser. A **Jam at Exit** message indicates the paper is jammed above the fuser.

 **CAUTION—HOT SURFACE:** To reduce the risk of injury from a hot component, allow the surface to cool before touching it.

- 1 Push the release button, and gently lower the front door.

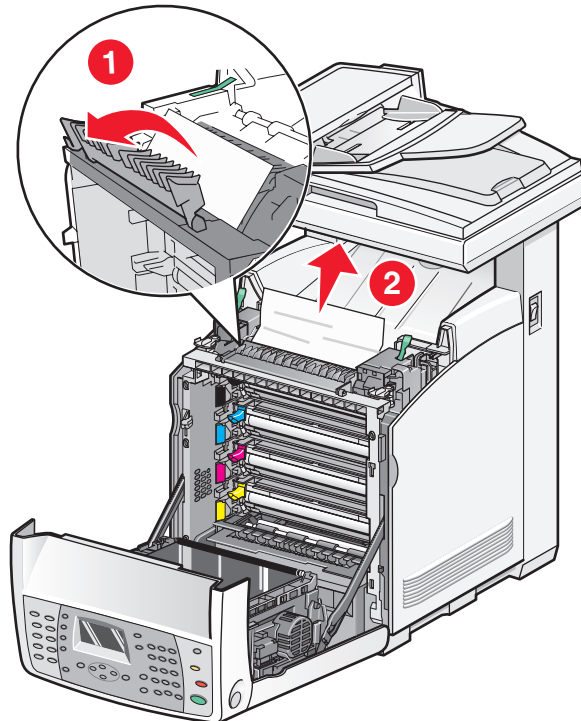


- 2 Lift the fuser pressure release levers to release tension on the paper.

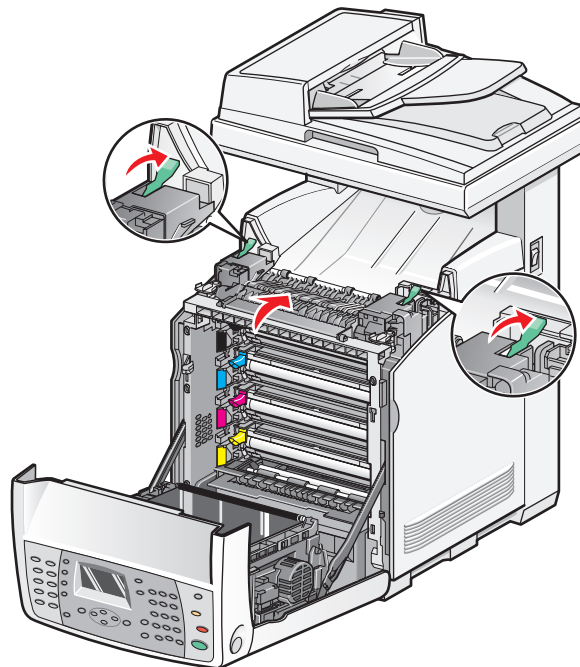


Clearing jams

3 Lift the fuser cover, and then remove the jammed paper.



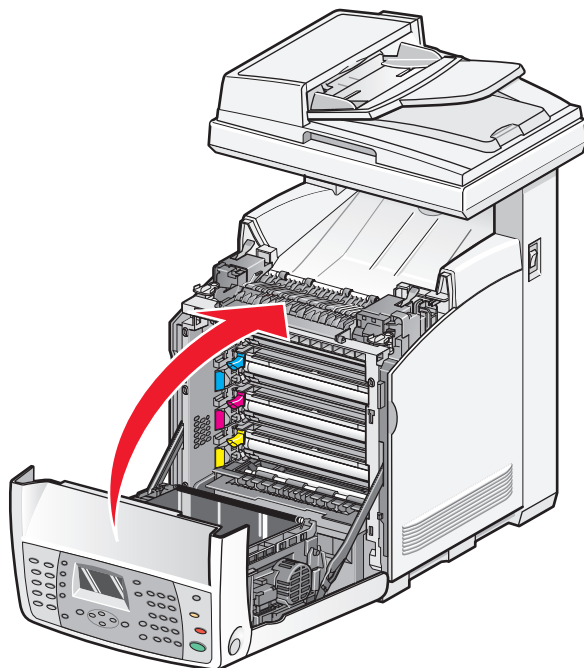
4 Close the fuser cover, and then lower the pressure release levers.



Clearing jams

114

5 Close the front door.




Clearing jams

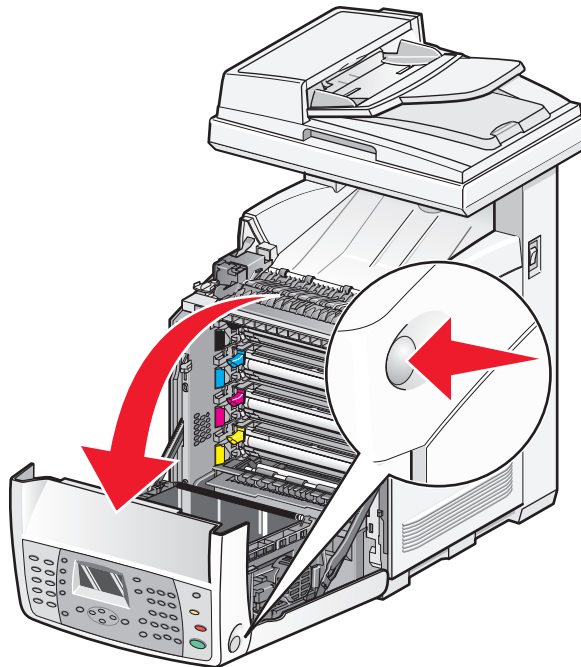
115

Clearing jams in the duplex unit

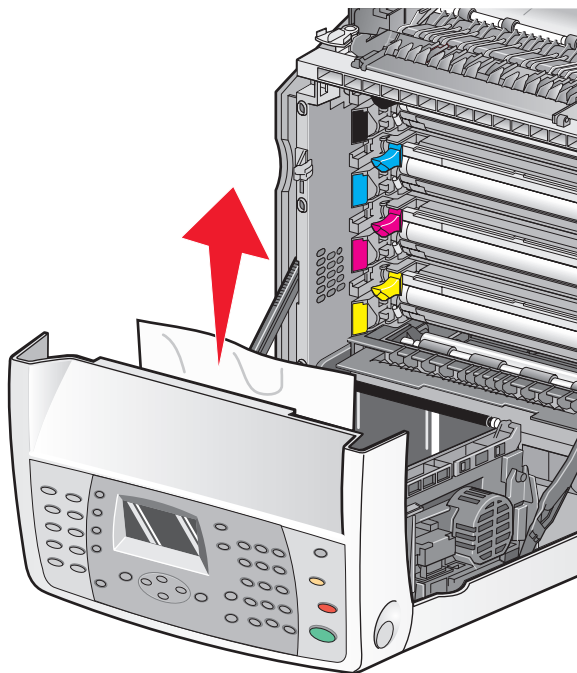
If the paper did not feed through the duplex unit correctly, the jam is in the duplex paper path. **Jam at Duplexer** appears.

 **CAUTION—HOT SURFACE:** To reduce the risk of injury from a hot component, allow the surface to cool before touching it.

- 1 Push the release button, and gently lower the front door.

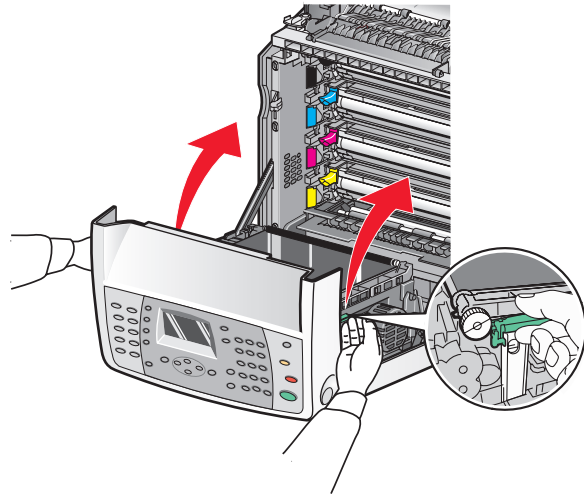


- 2 Pull out the jammed paper from the duplex unit. If jammed paper cannot be found, go to the next step.

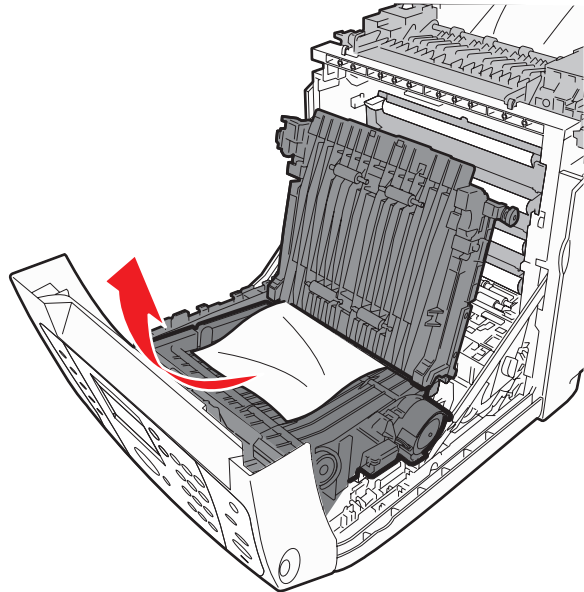


Clearing jams

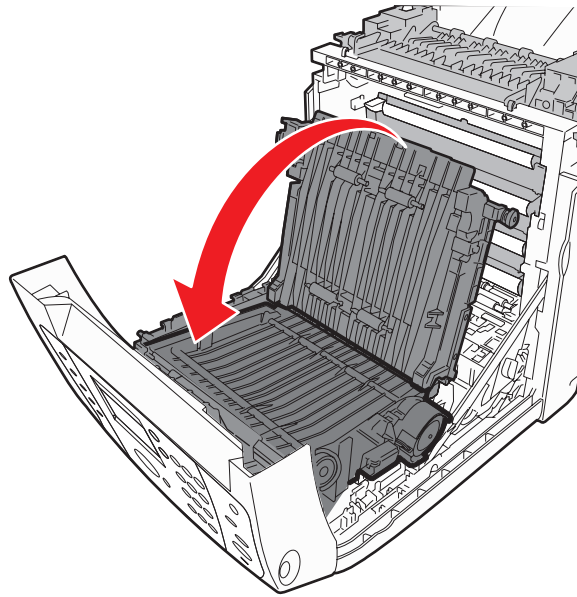
3 Lift the transfer belt unit.



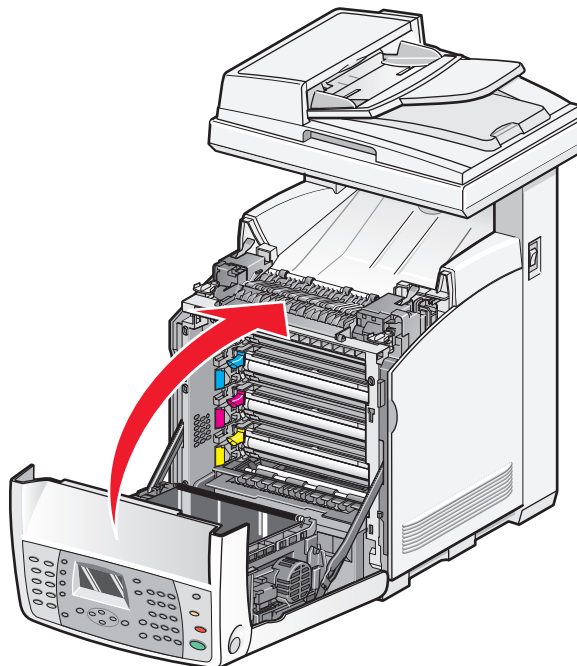
4 Remove any jammed paper from the duplex paper feeder.



5 Close the transfer belt unit.



6 Close the front door.



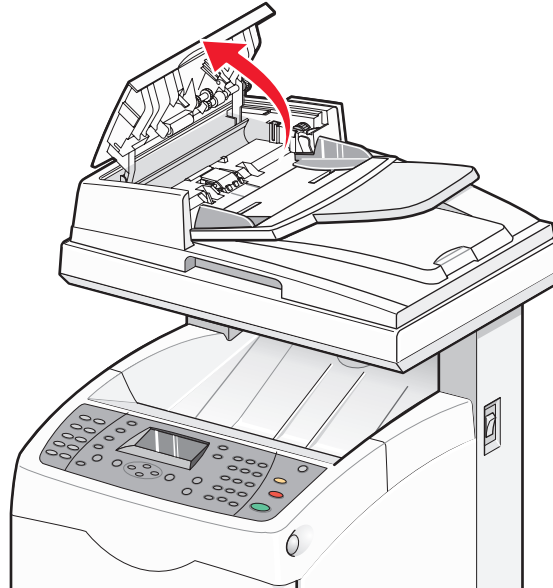
Clearing jams

118

Clearing jams in the ADF

If the paper is jammed in the ADF, **Jam at Scanner** appears. Remove all jammed paper, and make sure the paper feed tray is not overfull.

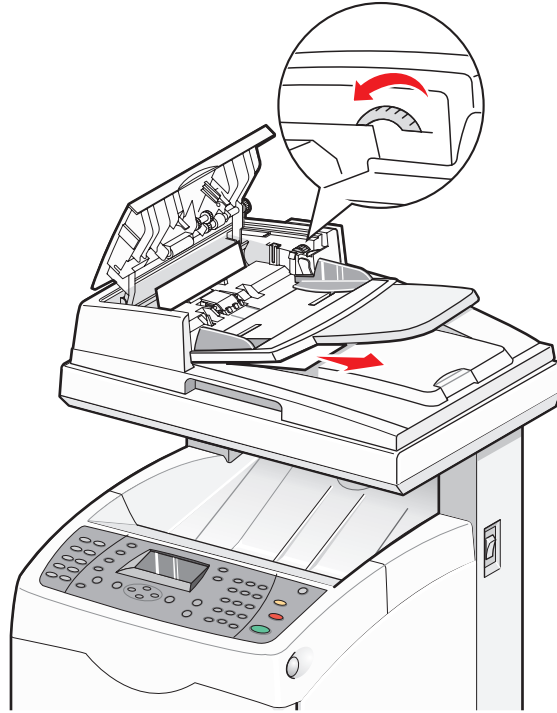
- 1 Remove all paper from the paper feed tray, and then open the ADF cover.



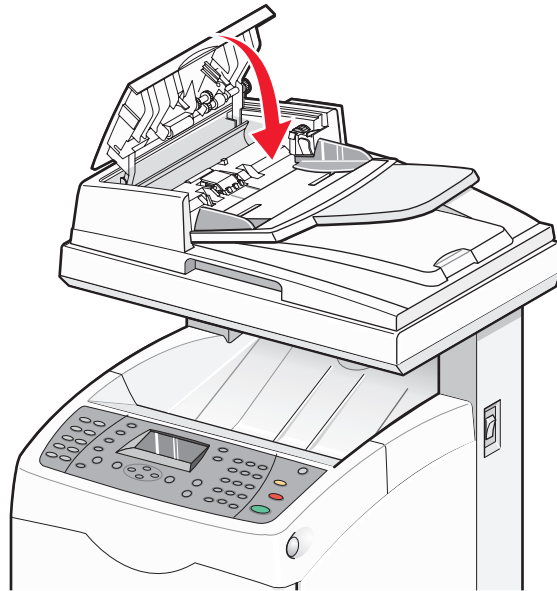
- 2 If the jam is in the paper feed area, remove the jam by carefully pulling it up.



3 If the jam is at the paper exit area, turn the dial to remove the jam.



4 Close the ADF cover.




5 Open the scanner cover and remove any jammed paper from the paper feed area.



6 Close the scanner cover.



7 When all the jammed paper is removed, **Return the Removed Original and Press Start** appears. Place the original document in the ADF, and then press **Start**  to continue with the scan job.

Understanding printer menus

Menus list

A number of menus are available to make it easy for you to change printer settings:

Default Settings

Copy Defaults
Scan Defaults
Fax Defaults

Tray Settings

Tray 1 (MPT)
Tray 2
Tray 3

Information Pages

Menu Map
Demo Page
Configuration
PCL Fonts List
PS Fonts List
Job History
Error History
Protocol Monitor
PCL Macro List
Stored Documents

Billing Meters

Total Impression
Color Impression
Black Impression

Admin Menu

Address Book
Print Language
Network Settings
Parallel Settings
USB Settings
Fax Settings
System Settings
Maintenance
Secure Settings
Admin Reports
Scan to Email

Panel Language

English
Français
Italiano
Deutsch
Español
Dansk
Nederlands
Português
Svenska
Русский
Polski
Türkçe

Default Settings Menu

Copy Defaults menu

Menu item	Description
Color Black&White Color	Specifies black-and-white or color copies Note: Color is the factory default setting.

Menu item	Description
Paper Supply Tray 1 (MPT) Tray 2 Tray 3	Sets the paper source for copies Notes: <ul style="list-style-type: none"> • Tray 2 is the factory default setting. • Tray 3 appears only if Tray 3 is installed.
Collated Off On	Stacks the pages of a print job in sequence when printing multiple copies Notes: <ul style="list-style-type: none"> • Off is the factory default setting. No pages will be collated. • The On setting stacks the print job sequentially. • Both settings print the entire job the number of times specified by the Copy setting.
Reduce/Enlarge 200% 154% 129% 8.5x11"->8.5x14" 100% 78% 8.5x14"->8.5x11" 64% 50%	Reduces or enlarges the printed output Note: 100% is the factory default setting.
Document Type Text Mixed Photo	Specifies the type of document being copied Note: Mixed is the factory default setting.
Output Quality Standard Enhanced	Specifies the printed output quality Note: Standard is the factory default setting.
2Sided 1->1Sided Long Edge Binding Short Edge Binding	Specifies duplex settings Note: This menu appears only when the optional duplex unit is installed.
Lighten/Darken <level indicator>	Lightens or darkens the printed output Note: Normal is the factory default setting.
Sharpness Sharper Normal Softer	Specifies the sharpness of the copies Note: Normal is the factory default setting.

Menu item	Description
Color Saturation Higher Normal Lower	Darkens or lightens the overall color levels of the copies Note: Normal is the factory default setting.
Auto Exposure Off On	Turns Auto Exposure on or off during copying. Papers that are off-white or ivory colored, such as newsprint, can cause the printer to put toner on the page so that the printed output has a background that matches the original. The Auto Exposure setting removes the light or close to white color and only the image itself is printed. Note: On is the factory default setting.
Auto Expo.Level Normal Higher(1) Higher(2)	Adjusts the Auto Exposure level Note: Normal is the factory default setting.
Color Balance Yellow Low Dens Yellow Med. Dens Yellow High Dens Magen. Low Dens Magen. Med. Dens Magen. High Dens Cyan Low Dens Cyan Med. Dens Cyan High Dens Black Low Dens Black Med. Dens Black High Dens	Adjusts the color levels of your copies
Auto Fit Off On	Scales and centers the copies to fit the size of the paper loaded in the specified paper tray Note: Off is the factory default setting.
N-Up Off Auto ID Copy Manual	Copies two original pages onto one side of a sheet of paper Notes: <ul style="list-style-type: none"> • The ID Copy setting is used for copying ID cards. • Off is the factory default setting.
Poster Off 2 x 2 3 x 3 4 x 4	Copies one original image onto multiple pages that can be assembled into a poster Note: Off is the factory default setting.

Menu item	Description
Poster Doc. Size Letter - 8.5 x 11" A4 - 210 x 297mm B5 - 182 x 257mm A5 - 148 x 210mm	Selects the size of the poster Note: Letter - 8.5 x 11" is the factory default setting.
Repeat Image Off On	Makes multiple copies of one image onto one side of a sheet of paper Notes: <ul style="list-style-type: none"> • The number of repeated images that appears on the copy is automatically determined by the size of the original. • The Reduce/Enlarge setting is disabled when Repeat Image is enabled. • Off is the factory default setting.
Margin Off On	Specifies whether to use the copy margins Notes: <ul style="list-style-type: none"> • The margin width is enabled only when copying from the scanner glass. • Off is the factory default setting.
Margin Width Top/Bottom Left/Right Middle	Sets the margin settings for copies Notes: <ul style="list-style-type: none"> • The Middle setting is used to eliminate dark areas caused by copying a book and the resultant darkness from the fold area. The middle margin can be adjusted to eliminate this dark area. • The Middle setting is <i>not</i> effective for N-Up copy.

Scan Defaults menu

Menu item	Description
Scan to Network Computer (Network) Server (FTP)	Specifies the scan destination Note: Server (FTP) is the factory default setting.
File Format PDF MultipageTIFF TIFF JPEG	Specifies the file type of the scanned image Note: PDF is the factory default setting.
Color Black&White Color	Specifies black-and-white or color copies Note: Color is the factory default setting.

Menu item	Description
Resolution 150 x 150 dpi 300 x 300 dpi 400 x 400 dpi 600 x 600 dpi	Sets the scanning resolution Note: 150 x 150 dpi is the factory default setting.
Document Type Text Mixed Photo	Specifies the type of document being scanned Note: Mixed is the factory default setting.
Document Size Letter - 8.5 x 11" US Folio - 8.5 x 13" Legal - 8.5 x 14" A4 - 210 x 297mm A5 - 148 x 210mm B5 - 182 x 257mm Executive - 7.25 x 10.5"	Specifies the size of the original document. Note: Letter is the factory default setting.
Lighten/Darken <level indicator>	Lightens or darkens the scanned image Note: Normal is the factory default setting.
Sharpness Sharper Normal Softer	Specifies the sharpness of the scanned image Note: Normal is the factory default setting.
Contrast Higher Normal Lower	Darkens or lightens the overall color levels of the scan Note: Normal is the factory default setting.
Auto Exposure Off On	Turns Auto Exposure on or off during scanning. Papers that are off-white or ivory colored, such as newsprint, can cause an undesired background to be scanned. The Auto Exposure setting removes the light or close to white color and only the image itself is scanned. Note: On is the factory default setting.
Auto Expo. Level Normal Higher(1) Higher(2)	Adjusts the Auto Exposure level Note: Normal is the factory default setting.
TIFF File Format TIFF V6 TTN2	Specifies the desired TIFF format Note: TIFF V6 is the factory default setting.

Menu item	Description
Image Compression Higher Normal Lower	Sets the image compression for scanning. A low compression will result in a higher quality image, but the file size will be larger. Note: Normal is the factory default setting.
Max Email Size 50–16384 KB	Sets the size limitation for scanned documents Note: 2048 KB is the factory default setting.

Fax Defaults menu

Menu item	Description
Resolution Standard Fine SuperFine	Specifies the resolution of the fax Note: Standard is the factory default setting.
Document Type Text Mixed Photo	Specifies the type of document being scanned Note: Mixed is the factory default setting.
Lighten/Darken <level indicator>	Lightens or darkens the scanned image Note: Normal is the factory default setting.
Delayed Start <time range>	Specifies the time delay before sending a fax job. Up to 23 hours and 59 minutes can be specified for the delay.

Tray Settings menu

Tray 1 (MPT) menu

Menu item	Description
<p>Paper Type</p> <ul style="list-style-type: none"> Plain Paper Thin Card Stock Thick Card Stock Envelope Labels Transparency Letterhead Glossy Paper Thick Glossy Paper Prepunched Colored Paper Special 	<p>Specifies the paper type loaded in Tray 1</p> <p>Note: Thin Card Stock is the factory default setting.</p>
<p>Paper Size</p> <ul style="list-style-type: none"> Driver Size Letter - 8.5 x 11" US Folio - 8.5 x 13" Legal - 8.5 x 14" A4 - 210 x 297mm A5 - 148 x 210mm B5 - 182 x 257mm Executive - 7.25 x 10.5" Monarch Env. - 3.9 x 7.5" DL Env. - 110 x 220mm C5 Env. - 4.1 x 9.5" New Custom Size <ul style="list-style-type: none"> Portrait(Y) <ul style="list-style-type: none"> <input custom size> Landscape(X) <ul style="list-style-type: none"> <input custom size> 	<p>Specifies the paper size loaded in Tray 1</p> <p>Note: Driver Size is the factory default setting.</p>
<p>Mode</p> <ul style="list-style-type: none"> Driver Specified Panel Specified 	<p>Specifies the way to set the paper type and size settings to be loaded in Tray 1</p> <p>Notes:</p> <ul style="list-style-type: none"> • Panel Specified is the factory default setting. • If Driver Specified is selected, you cannot specify the settings on the printer control panel.

Menu item	Description
Display Popup Off On	Specifies whether or not to display the message that prompts you to set the paper size and type every time you load paper in Tray 1 Note: Off is the factory default setting.

Tray 2 menu

Menu item	Description
Paper Type Plain Paper Thin Card Stock Thick Card Stock Labels Letterhead Glossy Paper Thick Glossy Paper Prepunched Colored Paper Special	Specifies the paper type loaded in Tray 2 Note: Thin Card Stock is the factory default setting.
Paper Size Auto Letter - 8.5 x 11" New Custom Size Portrait(Y) <input type="text" value="<input custom size>"/> Landscape(X) <input type="text" value="<input custom size>"/>	Specifies the paper size loaded in Tray 2 Note: Auto is the factory default setting.

Tray 3 menu

Note: Tray 3 is displayed only if the optional 550-sheet drawer is installed.

Menu item	Description
Paper Type Plain Paper Thin Card Stock Thick Card Stock Labels Letterhead Glossy Paper Thick Glossy Paper Prepunched Colored Paper Special	Specifies the paper type loaded in Tray 3 Note: Plain is the factory default setting.
Paper Size Auto Letter - 8.5 x 11" New Custom Size Portrait(Y) <input type="text" value="<input custom size>"/> Landscape(X) <input type="text" value="<input custom size>"/>	Specifies the paper size loaded in Tray 3 Note: Auto is the factory default setting.

Information Pages menu

Menu item	Description
Demo Page <none>	Prints a demo page
Configuration <none>	Prints a configuration page with printer information, settings information, supply information, and network information
PCL Fonts List <none>	Prints information on PCL fonts and samples of these fonts
PS Fonts List <none>	Prints information on PostScript fonts and samples of these fonts
Job History <none>	Prints information on printing results, such as whether data from the computer has been printed correctly. The status of a maximum of 22 jobs can be printed on the Job History Report. Note: Use the printer control panel to set whether to print the Job History report automatically for every 22 jobs completed.
Error History <none>	Prints an error history report which includes information on the latest errors (up to 42)
Protocol Monitor <none>	Prints information about the previous fax job as an aid in determining fax protocol problems

Menu item	Description
PCL Macro List <none>	Prints a list of PCL macros
Stored Documents <none>	Prints a list of documents stored in the printer when using the secure print and sample print feature

Billing Meters menu

Menu item	Description
Total impression <none>	Displays the total number of pages printed
Color Impression <none>	Displays the total number of pages printed in color
Black Impression <none>	Displays the total number of pages printed in black and white

Admin Menu

Address Book menu

Menu item	Description
Speed Dial <speed dial list> Name <enter name> Fax Number <enter fax number> Apply Settings	Sets a name and fax number for each Speed Dial number. Up to 200 names and numbers can be stored in the Speed Dial directory. Note: After creating or deleting Speed Dial numbers, select Apply Settings, and then press OK to save the settings.
Group Dial <group dial list> Name <enter name> Speed Dial No <select available Speed Dial numbers to include in group> Apply Settings	Sets a name and Speed Dial number for each fax group. Up to 6 groups can be stored in the Group Dial directory. Note: After creating or deleting groups, select Apply Settings, and then press OK to save the settings.

Print Language menu

Menu item	Description
<p>PCL</p> <ul style="list-style-type: none"> Paper Supply <ul style="list-style-type: none"> Auto Tray 1 (MPT) Tray 2 Tray 3 Document Size <ul style="list-style-type: none"> Letter - 8.5 x 11" US Folio - 8.5 x 13" Legal - 8.5 x 14" A4 - 210 x 297mm A5 - 148 x 210mm B5 - 182 x 257mm Executive - 7.25 x 10.5" Monarch Env. - 3.9 x 7.5" DL Env. - 110 x 220mm C5 Env. - 162 x 229mm #10 Env. - 4.1 x 9.5" New Custom Size <ul style="list-style-type: none"> Portrait(Y) <ul style="list-style-type: none"> <input custom size> Landscape(X) <ul style="list-style-type: none"> <input custom size> Orientation <ul style="list-style-type: none"> Portrait Landscape 2 Sided Print <ul style="list-style-type: none"> Off On Binding Edge <ul style="list-style-type: none"> Flip long edge Flip Short edge Font <ul style="list-style-type: none"> <list of available fonts> 	<p>Specifies PCL settings</p> <p>Notes:</p> <ul style="list-style-type: none"> • Paper Supply—Specifies the paper tray to be used for printing. The factory default setting is Auto. • Document Size—Specifies the paper size. • Orientation—The paper printing direction can be selected from Portrait and Landscape. The factory default setting is Portrait. • 2 Sided Print—Specifies whether to perform 2-sided printing. The factory default setting is Off. This setting is available only if a duplex unit is installed. • Binding Edge—Specifies the binding direction from Flip Long Edge or Flip Short Edge. The factory default setting is Flip Long Edge. This setting is available only if a duplex unit is installed. • Font—Specifies the font used. The factory default setting is Courier.

Menu item	Description
<p>PCL (continued)</p> <ul style="list-style-type: none"> Symbol Set <ul style="list-style-type: none"> <list of available symbol sets> Font Size <ul style="list-style-type: none"> 4–50 point Font Pitch <ul style="list-style-type: none"> 6.00–24.00 pitch Form Line <ul style="list-style-type: none"> 5–128 Quantity <ul style="list-style-type: none"> 1–999 Image Enhance <ul style="list-style-type: none"> Off On Hex Dump <ul style="list-style-type: none"> Disable Enable Draft Mode <ul style="list-style-type: none"> Disable Enable Line Termination <ul style="list-style-type: none"> Off Add-LF Add-CR CR-XX Default Color <ul style="list-style-type: none"> Black Color 	<p>Specifies PCL settings</p> <p>Notes:</p> <ul style="list-style-type: none"> • Symbol Set—Specifies the font for symbols. The factory default setting is ROMAN-8. • Font Size—Specifies the font size. This setting is available only for typographic fonts. Font Size can be changed in increments of 0.25. • Font Pitch—Specifies the character spacing. The factory default setting is 10.00. Font Pitch can be changed in increments of 0.01. • Form Line—Specifies the form line (the number of lines per form). The factory default setting is 64. Form Line can be changed in increments of 1. • Quantity—Specifies the copies to be printed. The factory default setting is 1. • Image Enhance—Selects whether to perform image enhancement. The factory default setting is On. • Hex Dump—Specifies whether to print the data sent from a computer in the ASCII code corresponding to the hexadecimal notation format in order to check the data contents. The factory default setting is Disable. • Draft Mode—Specifies whether to print in draft mode. The factory default setting is Disable. • Line Termination—Specifies line termination. The factory default setting is Off. • Default Color—Specifies the color mode. The factory default setting is Black.
<p>PostScript</p> <ul style="list-style-type: none"> PS Error Report PS Job Time-Out PaperSelectMode 	<p>Specifies Postscript settings</p> <p>Notes:</p> <ul style="list-style-type: none"> • PS Error Report—Specifies whether an error report is printed when a PostScript error occurs • PS Job Time-Out—Specifies the maximum execution time for a PostScript job to complete. If the job exceeds the specified number of minutes, a PostScript error occurs. • Paper Select Mode—Specifies how the tray is selected for PostScript print jobs.

Network Settings menu

Menu item	Description
Ethernet Auto 10Base Half 10Base Full 100Base Half 100Base Full	Specifies the communication speed and the modes of Ethernet Note: Auto is the factory default setting.
TCP/IP Get IP Address DHCP/Autonet BOOTP RARP DHCP Panel IP Address <enter IP Address> Network Mask <enter Network Mask> Gateway Address <enter Gateway Address>	Specifies the TCP/IP settings for the network Note: DHCP/Autonet is the factory default setting.

Menu item	Description
<p>Protocol</p> <p>LPR</p> <p> Disable</p> <p> Enable</p> <p>Port9100</p> <p> Disable</p> <p> Enable</p> <p>FTP</p> <p> Disable</p> <p> Enable</p> <p>SNMP</p> <p> Disable</p> <p> Enable</p> <p>Email Alerts</p> <p> Disable</p> <p> Enable</p> <p>Web Server</p> <p> Disable</p> <p> Enable</p> <p>Bonjour(mDNS)</p> <p> Disable</p> <p> Enable</p>	<p>Specifies which network protocol to use</p> <p>Note: Enable is the factory default setting.</p>
<p>IP Filter</p> <p><list of IP filters></p>	<p>Specifies blocking the reception of data from certain IP addresses. You can block up to five IP addresses. The change becomes effective after the printer is turned off and then on again.</p> <p>Note: This feature is available only when using LPD or Port9100.</p>
<p>Initialize NVM</p> <p>Yes</p> <p>No</p>	<p>Initializes network data stored in NVM. After executing this function and rebooting the printer, all network settings are reset to the factory default settings.</p>
<p>Adobe Protocol</p> <p>Auto</p> <p>Standard</p> <p>BCP</p> <p>TBCP</p> <p>Binary</p>	<p>Specifies PostScript communication protocol for each interface. You can configure the Adobe Protocol settings for the network. The change becomes effective after the printer is turned off and then on again.</p> <p>Note: Auto is the factory default setting.</p>

Parallel Settings menu

Menu item	Description
ECP Disable Enable	Specifies if the ECP communication mode of the parallel interface is enabled or disabled Note: Enable is the factory default setting.
Adobe Protocol TBCP Binary	Specifies PostScript communication protocol for the parallel interface. Restart the printer after making changes in the menu. Note: TBCP is the factory default setting.

USB Settings menu

Menu item	Description
Adobe Protocol TBCP Binary	Specifies PostScript communication protocol for the USB interface. Restart the printer after making changes in the menu. Note: TBCP is the factory default setting.

Fax Settings menu

Menu item	Description
Interval Timer 3–255 seconds	Specifies the interval of time between resend attempts Note: 8 seconds is the factory default setting.
Number of Redial 0–9 times	Specifies the number of redial attempts Note: 3 is the factory default setting.
Int. of Redial 1–15 minutes	Specifies the interval of time between redial attempts Note: 1 minute is the factory default setting.

Menu item	Description
Ans Select TEL Mode FAX Mode TEL/FAX Mode Ans/FAX Mode DRPD Mode	Specifies the receiving mode Notes: <ul style="list-style-type: none"> • TEL Mode—Automatic fax reception is turned off. You can receive a fax by picking up the handset of the external phone and then pressing the remote receive code, or by setting OnHook to On (you can hear voice or fax tones from the remote machine) and then pressing Start. • FAX Mode—A fax is automatically received. • TEL/FAX Mode—When the printer receives an incoming fax, the external telephone rings for the time specified by Auto Ans. TEL/FAX, and then the printer automatically receives the fax. If incoming data is not a fax, the printer sounds a beep over the internal speaker. • Ans/FAX Mode—The printer can share one telephone line with an answering machine. In this mode, the printer will monitor the fax signal and pick up the line if there are fax tones. If the phone communication in your country or region is serial, this mode is not available. • DRPD Mode—Before using the Distinctive Ring Pattern Detection (DRPD) option, distinctive ring service must be installed on your telephone line by the telephone company. After the telephone company has provided a separate number for faxing with a distinctive ring pattern, configure the fax setup to monitor for that specific ring pattern. • FAX Mode is the factory default setting.
Auto Answer Fax 0–255 seconds	When FAX Mode is enabled, this menu item specifies how long the printer waits before answering an incoming call. Note: 0 seconds is the factory default setting.
Auto Ans. TEL/FAX 0–255 seconds	When TEL/FAX Mode is enabled, this menu item specifies how long the printer waits before answering an incoming call. Note: 6 seconds is the factory default setting.
Auto Ans. Ans/FAX 0–255 seconds	When ANS/FAX Mode is enabled, this menu item specifies how long the printer waits before answering an incoming call. Note: 21 seconds is the factory default setting.
Line Monitor Off Min Middle Max	Specifies the volume of the external phone (line monitor) Note: Middle is the factory default setting.

Menu item	Description
Ring Tone Volume None Min Middle Max	Specifies the volume for the incoming faxes Note: Max is the factory default setting.
Line Type PSTN PBX	Specifies the line type Note: PSTN is the factory default setting.
Dialing Type PB DP(10PPS) DP(20PPS)	Specifies the dialing type Note: PB is the factory default setting.
Junk Fax Filter Off On	When Junk Fax Filter is set to On, incoming faxes are accepted only from numbers registered in the Address Book. Note: Off is the factory default setting.
Remote Receive Off On	Specifies whether to receive a fax by pressing the remote receive code on the external telephone after picking up the handset of the telephone. When Remote Receive is set to On, a fax can be received by pressing the remote receive code on the external telephone. Note: Off is the factory default setting.
Remote Rcv Tone 00-99	Specifies the tone in two digits when Remote Receive is set to On Note: 00 is the factory default setting.
Duplex Print Off On	Specifies whether to use duplex printing when receiving a fax Notes: <ul style="list-style-type: none"> • Off is the factory default setting. • This option is available only when the printer has a duplex unit installed.
Send Header Off On	When Send Header is set to On, the sender record is printed at the head of the fax. Note: On is the factory default setting.
Company Name <input type="text"/>	Specifies the sender name to be recorded in the sender report
Your Fax Number <input type="text"/>	Specifies your telephone number, which is printed at the top of each page sent from your printer
Device Name <input type="text"/>	Specifies your name or your company name, which is printed on the report sheet

Menu item	Description
DRPD Pattern Pattern1 Pattern2 Pattern3 Pattern4 Pattern5	Specifies a distinctive ring pattern for use with DRPD service. DRPD Patterns are specified by your telephone company. Note: Pattern4 is the factory default setting.
Forward Settings Trans. at Error Trans. Always Not Trans.	Specifies when you want the printer to forward all of the outgoing faxes to a specified destination Notes: <ul style="list-style-type: none"> • Trans. at Error—Outgoing faxes are forwarded only when an error occurs. • Trans. Always—Outgoing faxes are always forwarded. • Not Trans.—Outgoing faxes are not forwarded. • Not Trans. is the factory default setting.
Fwd. Settings Num <input forward settings number>	Specifies the number that outgoing faxes are forwarded to
Fwd. Set Print Off On	Specifies whether the outgoing faxes are printed when they are forwarded. When Fwd. Set Print is set to On, all of the forwarded faxes are printed. Note: Off is the factory default setting.
Prefix Dial Off On	Specifies whether to add the prefix number when you send a fax Note: Off is the factory default setting.
Prefix Dial Num <input prefix dial number>	Specifies the prefix dial number (up to five digits). This number dials before any auto dial number is started. It is useful for accessing the PBX exchange.
Discard Size Off On Auto Reduction	Specifies if the printer should discard any excess data at the bottom of the page Notes: <ul style="list-style-type: none"> • On—Discards any excess data at the bottom of the page. • Off—Prints any excess data at the bottom of the page without discarding it. • Auto Reduction—Reduces the document to fit onto the paper. • Off is the factory default setting.
Color Fax Off On	When Color Fax is set to On, both black-and-white and color fax jobs are enabled. When it is set to Off, color fax jobs are disabled. Note: Off is the factory default setting.

Menu item	Description
Extel Hook Thresh Lower Normal Higher	Specifies the threshold value for the external telephone Note: Normal is the factory default setting.
Country <country code list>	Specifies the country or region where the printer is used Note: Country must be set before faxes can be sent.
Fwd. Error Print Off On	Prints the documents that failed to transfer when Fwd. Set Print is set to Off. Note: On is the factory default setting.

System Settings menu

Menu item	Description
2 Mode Power Saver? Disable Enable	Specifies if both power saver modes are enabled Note: Enable is the factory default setting.
Power Saver Timer Mode 1 (Printer) 5–60 minutes Mode 2 (System) 1–60 minutes	Specifies the transitional time of Power Saver Modes 1 and 2 in increments of 1 minute Notes: <ul style="list-style-type: none"> • The factory default setting for Mode 1 (Printer) is 25 min. • The factory default setting for Mode 2 (System) is 5 min.
Auto Reset 45sec 1min 2min 3min 4min	Specifies the time the printer waits for further printer control panel input before automatically resetting the settings for Copy, Scan, or Fax and returning to the standby mode Note: 3 minutes is the factory default setting.

Menu item	Description
<p>Alert Tone</p> <p>Panel Select Tone</p> <ul style="list-style-type: none"> Soft Normal Loud Off <p>Panel Alert Tone</p> <ul style="list-style-type: none"> Soft Normal Loud Off <p>Machine Ready Tone</p> <ul style="list-style-type: none"> Soft Normal Loud Off <p>Copy Job Tone</p> <ul style="list-style-type: none"> Soft Normal Loud Off <p>Non-copy Job Tone</p> <ul style="list-style-type: none"> Soft Normal Loud Off <p>Fault Tone</p> <ul style="list-style-type: none"> Soft Normal Loud Off <p>Alert Tone</p> <ul style="list-style-type: none"> Soft Normal Loud Off 	<p>Specifies whether to turn on the alarm when an error occurs in the printer</p> <p>Notes:</p> <ul style="list-style-type: none"> • Normal is the factory default setting for Panel Select Tone, Machine Ready Tone, Copy Job Tone, Non-Copy Job Tone, Fault Tone, and Alert Tone. • Off is the factory default setting for Panel Alert Tone.

Menu item	Description
<p>Alert Tone (continued)</p> <p>Out of Paper</p> <ul style="list-style-type: none"> Soft Normal Loud Off <p>Low Toner</p> <ul style="list-style-type: none"> Soft Normal Loud Off <p>Auto Clear Alert</p> <ul style="list-style-type: none"> Soft Normal Loud Off <p>Base Tone</p> <ul style="list-style-type: none"> Soft Normal Loud Off <p>All Tones</p> <ul style="list-style-type: none"> Soft Normal Loud Off 	<p>Specifies whether to turn on the alarm when an error occurs in the printer</p> <p>Notes:</p> <ul style="list-style-type: none"> • Normal is the factory default setting for Out of Paper. • Off is the factory default setting for Low Toner, Auto Clear Alert, and Base Tone.
<p>Time-Out</p> <ul style="list-style-type: none"> Off On <p>5–300 seconds</p>	<p>You can cancel a printing process when it goes beyond a set time period. Set the time until the print job is canceled. When this timeout expires, the print job is canceled.</p> <p>Note: 30 seconds is the factory default setting.</p>

Menu item	Description
Clock Settings Set Date <input date> Set Time <input time> Date Format yy/mm/dd mm/dd/yy dd/mm/yy Time Format 12H 24H Time Zone <select time offset>	Specifies the date and time Note: Set the time zone based on Coordinated Universal Time (UTC) for your location.
mm/inch mm inch	Set the units for the custom paper size to millimeters or inches Note: Inch is the factory default setting.
Auto Log Print Off On	Specifies whether to automatically print information about the printed data that has been processed in the printer (Job History Report) Note: Off is the factory default setting.
Print ID Off Top Left Top Right Bottom Left Bottom Right	Specifies where to print the user ID Note: Off is the factory default setting.
Print Text Off On	Specifies whether the printer outputs PDL data, which is not supported by the printer, as text when the printer receives it. Text data is printed on A4- or Letter-size paper. Note: Off is the factory default setting.
Banner Sheet Insert Position Off Front Back Front & Back Specify Tray Tray 1 (MPT) Tray 2 Tray 3	Specifies the settings for banner sheet printing Note: Tray 3 is displayed only when the optional 550-sheet drawer is installed.

Menu item	Description
Fax Activity Auto Print No Auto Print	Sets the printer to print a report on faxes sent and received Note: No Auto Print is the factory default setting.
Fax Transmit Print Always Print at Error Do Not Print	Specifies when a fax transmission report is printed Note: Print at Error is the factory default setting.
Fax Broadcast Print Always Print at Error Do Not Print	Specifies when a fax transmission report is printed for group jobs Note: Print Always is the factory default setting.
Protocol Monitor Print Always Print at Error Do Not Print	Specifies the protocol monitor report to detect the cause of the communication trouble Note: Do Not Print is the factory default setting.
RAM Disk Disable Enable	Allocates memory to the RAM Disk file system for the secure print, collating jobs, and Sample print features Note: Enable is the factory default setting.
Tray Switching Off Larger Size Nearest Size Tray 1 (MPT) Feed	Specifies whether to print on paper loaded in another tray when there is no paper left in the tray selected by the auto tray selection feature Note: Nearest Size is the factory default setting.

Maintenance menu

Menu item	Description
Auto Regi Adjust Off On	Adjusts the color registration automatically Note: On is the factory default setting.

Menu item	Description
Adjust ColorRegi Auto Correct Yes No Color Regi Chart <press OK to print> Color Regi Yellow <adjust value> Magenta <adjust value> Cyan <adjust value>	Adjusts the color registration manually
Initialize NVM User Section Yes No System Section Yes No	Initializes the settings stored in the NVM except for the network settings. The NVM is a nonvolatile memory that stores the printer settings even after the power is turned off. After executing this function and restarting the printer, all the menu parameters are reset to their factory default values. Note: Restart the printer after activating this setting.
Init Print Meter Yes No	Initializes the print meter
Reset Fuser Yes No	Resets the fuser count after installing a new fuser

Secure Settings menu

Menu item	Description
Panel Lock Panel Lock Set Disable Enable Change Password <input password>	When Panel Lock is enabled, access to the Admin Menu requires a password. Note: 0000 is the factory default password.

Menu item	Description
Scan/Fax Lock Scan/Fax Lock Set Disable Enable Change Password <input type="text" value="password"/>	When Scan/Fax Lock is enabled, access to the scanner and fax requires a password. Notes: <ul style="list-style-type: none"> • Panel Lock must be enabled before enabling Scan/Fax Lock. • 0000 is the factory default password.
Secure Receive Secure Rcv. Set Disable Enable Change Password <input type="text" value="password"/>	When Secure Receive is enabled, incoming faxes require a password to print them. Note: 0000 is the factory default password.

Admin Reports menu

Menu item	Description
Speed Dial <input type="text" value="none"/>	Prints a report of the Speed Dial numbers
Address Book <input type="text" value="none"/>	Prints a report of the address book e-mail addresses
Server Address <input type="text" value="none"/>	Prints a report of the address book server addresses
Fax Activity <input type="text" value="none"/>	Prints a report summarizing sent and received faxes
Fax Pending <input type="text" value="none"/>	Prints a report of the pending faxes
Printer Meter <input type="text" value="none"/>	Prints a report summarizing printing activity

Scan to Email menu

Menu item	Description
Disable Enable	Enables or disables the Scan to Email function Note: Enable is the factory default setting.

Panel Language Menu

Menu item	Description
English Français Italiano Deutsch Español Dansk Nederlands Português Svenska Русский Polski Türkçe	Sets the language displayed on the printer control panel

Understanding printer messages

List of status and error messages

550 Feeder Error

Error 072-215

Restart Printer

The 550-sheet drawer is not working or is not installed correctly. Reinstall the 550-sheet drawer.

<xxx> Error

Error xxx-xxx

Restart Printer

- 1 Turn the printer off.
- 2 Unplug the power cord from the wall outlet.
- 3 Check all cable connections.
- 4 Connect the power cord to a properly grounded outlet.
- 5 Turn the printer back on.

If the service message appears again, contact Customer Support, and report the message.

Controller Error

Error 116-32x

Restart Printer

An unspecified printer error has occurred.

- 1 Turn the printer off.
- 2 Unplug the power cord from the wall outlet.
- 3 Check all cable connections.
- 4 Connect the power cord to a properly grounded outlet.
- 5 Turn the printer back on.

If the service message appears again, contact Customer Support, and report the message.

<color> - CRUM Error

Error 093-9<xx>

Restart Printer

Replace the specified print cartridge.

Restart the printer, and then replace the specified print cartridge.

CRUM Error

Error 094-330

Reseat Transfer Unit

Replace the old transfer belt with a new one.

Disabled Func

Error 016-758

Press OK

The function that you are trying to access has been disabled. Enable the function through the printer control panel menus, or contact your printer administrator.

Door A Open, Close Door A

Close the front door to clear the message.

Duplexer Error

Error 077-215

Restart Printer

The duplex unit is not working or is not installed correctly. Reinstall the duplex unit.

Email Error, Invalid POP3 Server

Error 016-504

Press OK

The POP3 server was not found. Press **OK** to continue.

Email Error, Invalid SMTP Server

Error 016-503

Press OK

The SMTP server was not found. Press **OK** to continue.

Email Login Error

Error 016-506

Press OK

The printer failed to log in to the SMTP server. Verify that the user name and password settings are correct, and then press **OK** to continue.

Email Login Error, POP3 Login Failed

Error 016-505

Press OK

The printer failed to log in to the POP3 server. Verify that the user name and password settings are correct, and then press **OK** to continue.

Email Login Error, SMTP Login Failed

Error 016-507

Press OK

The printer failed to log in to the SMTP server. Verify that the user name and password settings are correct, and then press **OK** to continue.

Email Size Limit

Error 016-985

Press OK

The scan job is too large to send. Increase the Max Email Size setting, and then scan the job again. If the message appears again, lower the scan resolution to decrease the job size.

Fan Motor Error

Error 042-3xx

Restart Printer

- 1 Turn the printer off.
- 2 Unplug the power cord from the wall outlet.
- 3 Check all cable connections.
- 4 Connect the power cord to a properly grounded outlet.
- 5 Turn the printer back on.

If the service message appears again, contact Customer Support, and report the message.

Fuser CRUM Error, Reseat Fuser

The fuser is missing or not installed correctly. Install or reseat the fuser.

Fuser Error, Error 010-351

- 1 Replace the fuser unit.
- 2 From the Admin menu, reset the fuser counter.

Fuser Error, Error 010-397

Error Code: xx

Restart Printer

- 1 Turn the printer off.
- 2 Unplug the power cord from the wall outlet.
- 3 Check all cable connections.
- 4 Connect the power cord to a properly grounded outlet.
- 5 Turn the printer back on.

If the message appears again, contact Customer Support, and report the message.

Hard Drive Full

Error 016-982

Press OK

There is insufficient memory to complete the current print job. Press **OK** to clear the message, and then cancel the print job and try sending it again.

Insert <color>

Print Cartridge

Error 093-<number>

The specified print cartridge is missing or not installed correctly. Reinstall the print cartridge.

Insert Fuser, Restart Printer

The fuser is not installed. Install the fuser.

Insert Transfer Unit

The transfer belt is missing or not installed correctly. Reinstall the transfer belt.

Insert Tray 2

Tray 2 is missing or not installed correctly. Install or reseal Tray 2.

Invalid Job

Error 016-799

Press OK

The configuration of the printer in Print Properties does not match the printer being used.

- 1 Press **Stop** to cancel the print job.
- 2 Check the Print Properties settings.
- 3 Press **OK** to continue.

Invalid User

Error 016-757

Press OK

The last person who sent a job to the printer is not authorized to use the printer. Contact your system support person for authorization.

Jam at Duplexer

Open Door A

Lift Belt Unit

Paper is jammed inside the printer. Clear the paper path to resume printing.

Jam at Exit, Open Door A

Paper is jammed inside the printer. Clear the paper path to resume printing.

Jam at Reg. Roll, Open Door A

Paper is jammed inside the printer. Clear the paper path to resume printing.

Jam at Tray 1

Check Tray 1

Open Door A

Paper is jammed inside Tray 1 (MPT). Clear the paper path to resume printing.

Jam at Tray 2

Open Tray 2

Open Door A

Paper is jammed inside Tray 2. Clear the paper path to resume printing.

Jam at Tray 3

Open Tray 3

Open Door A

Paper is jammed inside Tray 3. Clear the paper path to resume printing.

Limit Exceeded

Error 016-759

Press OK

The user has exceeded the limit on the number of pages that can be printed. Contact your printer administrator for authorization.

Load Tray <X>

Load the specified tray with the correct paper type and size.

Login Error

Error 016-782

Press OK

The printer failed to log in to the server (SMTP/SMB/FTP). Check that the printer is physically connected to the network, verify that the user name and password settings are correct, and then press **OK** to continue.

MCU Firmware Error

Error 024-340

Error Code:xx

Restart Printer

A firmware error has occurred.

- 1 Turn the printer off.
- 2 Unplug the power cord from the wall outlet.
- 3 Check all cable connections.
- 4 Connect the power cord to a properly grounded outlet.
- 5 Turn the printer back on.

If the service message appears again, contact Customer Support, and report the message.

MCU NVRAM Error

Error 041-340

Address: <xxxx> Data: <xx>

Restart Printer

An NVRAM error has occurred.

- 1 Turn the printer off.
- 2 Unplug the power cord from the wall outlet.
- 3 Check all cable connections.
- 4 Connect the power cord to a properly grounded outlet.
- 5 Turn the printer back on.

If the service message appears again, contact Customer Support, and report the message.

Network Scan Error, Connection Timeout

Press OK

Unable to connect to the SMB/FTP server. Check that the printer is connected to the network, and then press **OK** to continue.

Network Scan Error, Directory Not Found

Error 016-787

Press OK

The directory specified in the address book entry was not found. Correct the address book entry, and then press **OK** to continue.

Network Scan Error, Email Server Full

Error 016-765

Press OK

The disk on the SMTP server is full. Make space available on the server disk, and then press **OK** to continue.

Network Scan Error, File Name Exists

Error 016-788

Press OK

The location you are scanning to has a file with the same name. Specify a different name, and then press **OK** to continue.

Network Scan Error, Invalid SMB/FTP Server

Error 016-783

Press OK

The printer is unable to get to the server path list (SMB/FTP). Verify that the server path setting is correct, and then press **OK** to continue.

Network Scan Error, Invalid Write Permission

Error 016-784

Press OK

You do not have write permission for the SMB/FTP server. Modify your permissions on the server, or change the scan destination to one that you have write permission for, and then press **OK** to continue.

Network Scan Error, Server Out of Memory

Error 016-785

Press OK

The disk on the SMB/FTP server is full. Make space on the server disk, and then press **OK** to continue.

Network Scan Error, SMTP Connection Failed

Press OK

Unable to connect to the SMTP server. Check that the printer is connected to the network, verify that the e-mail server settings are correct, and then press **OK** to continue.

Non-Genuine Toner Installed

Error 093-700

An invalid print cartridge is installed. Remove the print cartridge, and then install a supported one.

NV RAM Error

Error 116-390

Restart Printer

An unspecified printer error has occurred.

- 1 Turn the printer off.
- 2 Unplug the power cord from the wall outlet.
- 3 Check all cable connections.
- 4 Connect the power cord to a properly grounded outlet.
- 5 Turn the printer back on.

If the service message appears again, contact Customer Support, and report the message.

Out of Memory

Error 016-718

Press OK

There is insufficient memory to complete the current print job. Press **OK** to clear the message, and then cancel the print job and try sending it again.

PCL Error

Error 016-720

Press OK

An error relating to PCL emulation problems has occurred. Press **OK** to clear the message, and then cancel the print job and try sending it again.

Printer Too Hot

Error 042-700

Cooling down

Please Wait...

The internal temperature of the printer is too high. Wait one hour before restarting the printer. Ensure that the printer has adequate cooling space around it, and that the cooling vents are not blocked.

RAM Error

Error 016-3xx

Restart Printer

Additional memory is not installed correctly, not working correctly, or not supported.

- 1 Turn the printer off.
- 2 Unplug the power cord from the wall outlet.
- 3 Reinstall the optional memory.
- 4 Connect the power cord to a properly grounded outlet.
- 5 Turn the printer back on.

If the message appears again, replace the specified additional memory.

Remove Tape, <color> Cartridge

The sealing tape is still attached to the specified print cartridge. Remove the sealing tape from the specified print cartridge.

Replace <color> Print Cartridge

Empty <color>

Print Cartridge

The specified print cartridge is empty. Remove the specified print cartridge, and then install a new one.

Replace <color> Print Cartridge Soon

The specified print cartridge will soon be exhausted.

When **Replace <color> Print Cartridge Soon** appears or when the print becomes faded, you may be able to extend the life of the print cartridge:

- 1 Remove the specified print cartridge.
- 2 Firmly shake the cartridge side-to-side and front-to-back several times to redistribute toner.
- 3 Reinsert the print cartridge and continue printing.

Replace Fuser Soon

The fuser life is nearly exhausted. Order a new fuser.

Replace Transfer Unit

Replace the transfer belt.

Replace Transfer Unit Soon

The transfer belt is nearly exhausted. Order a new transfer belt.

Restart Printer: 116-xxx

An unspecified printer error has occurred.

- 1 Turn the printer off.
- 2 Unplug the power cord from the wall outlet.
- 3 Check all cable connections.
- 4 Connect the power cord to a properly grounded outlet.
- 5 Turn the printer back on.

If the service message appears again, contact Customer Support, and report the message.

Restart Printer, 118-xxx

The Network Expansion Card is not installed correctly or is not working correctly due to damage or malfunction.

- 1 Turn the printer off.
- 2 Unplug the power cord from the wall outlet.
- 3 Reinstall the multi-protocol network card.
- 4 Check all cable connections.
- 5 Connect the power cord to a properly grounded outlet.
- 6 Turn the printer back on.

If the service message appears again, contact Customer Support, and report the message.

Scan Error

Error 116-xxx

Restart Printer

An unspecified printer error has occurred.

- 1 Turn the printer off.
- 2 Unplug the power cord from the wall outlet.
- 3 Check all cable connections.
- 4 Connect the power cord to a properly grounded outlet.
- 5 Turn the printer back on.

If the service message appears again, contact Customer Support, and report the message.

Scanner Lamp Error

Error 062-371

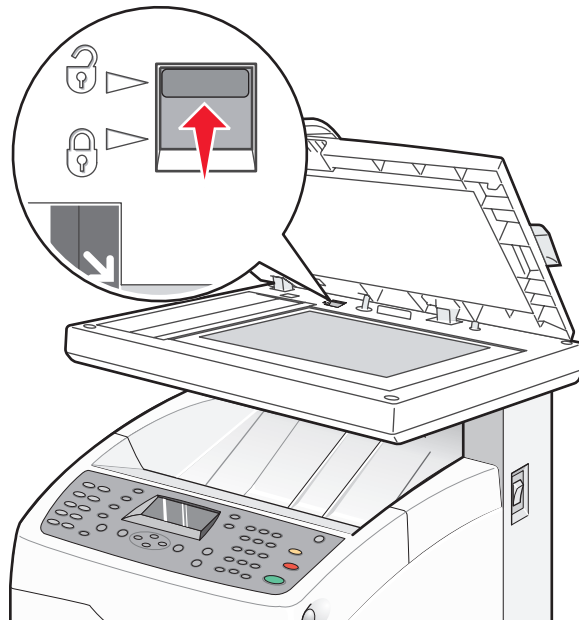
Restart Printer

The scanner lock switch is set to the locked position. Unlock the scanner:

- 1 Turn the printer off.
- 2 Open the scanner cover.



- 3 Move the scanner lock switch to the unlocked position.



4 Close the scanner cover.



5 Turn the printer back on.

Select Function

The printer is ready to receive print jobs.

SMTP Server Error

Error 016-766

Press OK

An error occurred on the SMTP server. Press **OK** to continue, and then attempt the operation again. If the message appears again, contact your system support person.

Tray <x> is Missing

Tray 2 or Tray 3 is missing. Insert the specified tray into the printer.

Wrong Paper Type

Open Door A

Remove Paper & Set Paper Type

Paper is jammed inside the printer. Clear the paper path to resume printing.

Maintaining the printer

Periodically, certain tasks are required to maintain optimum print quality.

Storing supplies

Choose a cool, clean storage area for the printer supplies. Store supplies right side up in their original packing until you are ready to use them.

Do not expose supplies to:

- Direct sunlight
- Temperatures above 35°C (95°F)
- High humidity above 80%
- Salty air
- Corrosive gases
- Heavy dust

Cleaning the printer

If print quality problems such as streaking occur, follow these cleaning procedures.

Warning—Potential Damage: Do not put water directly on the printer or use ammonia-based cleaners or volatile solvents, such as paint thinner, on the printer.

Cleaning the exterior of the printer

- 1 Make sure that the printer is turned off and unplugged from the wall outlet.



CAUTION—SHOCK HAZARD: To avoid the risk of electric shock, unplug the power cord from the wall outlet and disconnect all cables to the printer before proceeding.

- 2 Remove paper from the standard exit bin.
- 3 Dampen a clean, lint-free cloth with water.

Warning—Potential Damage: Do not use household cleaners or detergents, as they may damage the finish of the printer.

- 4 Wipe only the outside of the printer, making sure to remove any ink residue that has accumulated on the standard exit bin.

Warning—Potential Damage: Using a damp cloth to clean the interior may cause damage to your printer.

- 5 Make sure the standard exit bin is dry before beginning a new print job.

Cleaning the scanner glass

Clean the scanner glass if you encounter print quality problems, such as streaks on copied or scanned images.

- 1 Slightly dampen a soft, lint-free cloth or paper towel with water.
- 2 Open the scanner cover.



- 3 Wipe the scanner glass (which includes the document glass and ADF glass) until it is clean and dry.
- 4 Wipe the white underside of the scanner cover and the white plastic input guides until they are clean and dry.
Note: The white plastic input guides are located on the scanner cover underneath the ADF on the left side.
- 5 Close the scanner cover.

Ordering supplies

To order supplies in the U.S., contact Lexmark at 1-800-539-6275 for information about Lexmark authorized supplies dealers in your area. In other countries or regions, visit the Lexmark Web Site at www.lexmark.com or contact the place where you purchased the printer.

Note: All life estimates for printer supplies assume printing on letter- or A4-size plain paper.

Ordering print cartridges

When **Replace <color> Print Cartridge Soon** appears, order the specified new print cartridge. The specified print cartridge will soon be exhausted. The specified print cartridge can print approximately 100–125 pages, depending on the coverage of the toner color, after the message first appears.

When **Replace <color> Print Cartridge Soon** appears or when the print becomes faded, you may be able to extend the life of the print cartridge:

- 1 Remove the specified print cartridge.
- 2 Firmly shake the cartridge side-to-side and front-to-back several times to redistribute toner.

3 Reinsert the print cartridge and continue printing.

Note: Repeat this procedure multiple times until the print remains faded, and then replace the cartridge(s).

The recommended toner cartridges specifically designed for your printer are:

Part name	Part number
Cyan High Yield Toner Cartridge	X560H2CG
Magenta High Yield Toner Cartridge	X560H2MG
Yellow High Yield Toner Cartridge	X560H2YG
Black High Yield Toner Cartridge	X560H2KG
Cyan Toner Cartridge	X560A2CG
Magenta Toner Cartridge	X560A2MG
Yellow Toner Cartridge	X560A2YG

Ordering a fuser

When **Replace Fuser Soon** appears, replace the fuser immediately. For installation information, see the documentation that came with the fuser.

Part name	Part number
Fuser	40X4860 (120 V/50–60 Hz) 40X4861 (220–240 V/50–60 Hz)


Ordering a transfer belt

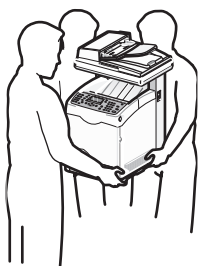
When **Replace Transfer Unit Soon** appears, replace the transfer belt immediately. For installation information, see the documentation that came with the transfer belt.

Part name	Part number
Transfer belt	40X4868

Moving the printer

Before moving the printer

 **CAUTION—POTENTIAL INJURY:** The printer weighs 41 kg (97 lb); therefore, it requires at least three people to lift it safely. Use the handholds on the sides of the printer to lift it, and make sure your fingers are not under the printer when you set it down.



Follow these guidelines to avoid personal injury or printer damage:

- Use at least three people to lift the printer.
- Before moving the printer:
 - Turn it off using the power switch.
 - Unplug the power cord from the wall outlet.
 - Disconnect all cords and cables from the printer.
 - Remove the printer from the optional 550-sheet drawer (if installed).
 - Remove and store all print cartridges.

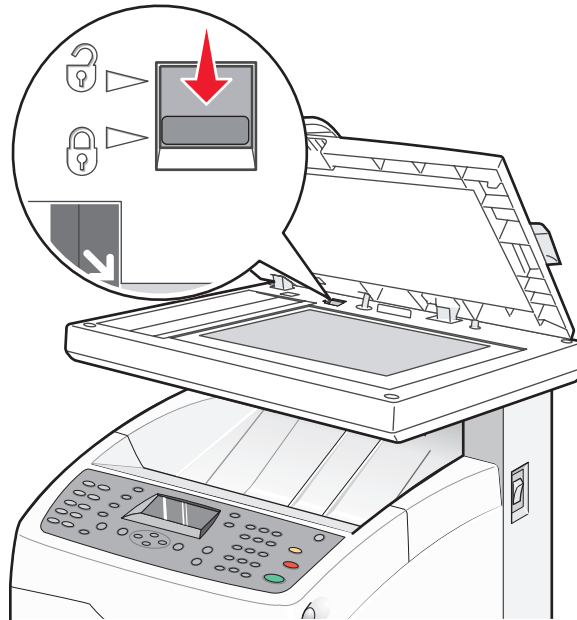
Warning—Potential Damage: Damage to the printer caused by improper moving is not covered by the printer warranty.

Locking the scanner

- 1 Open the scanner cover.



2 Move the scanner lock switch to the locked position.



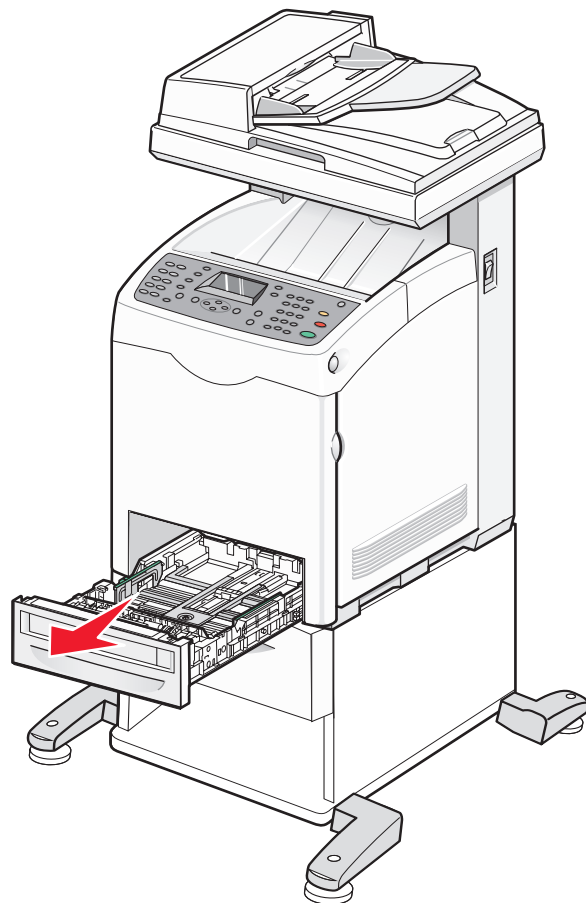
3 Close the scanner cover.



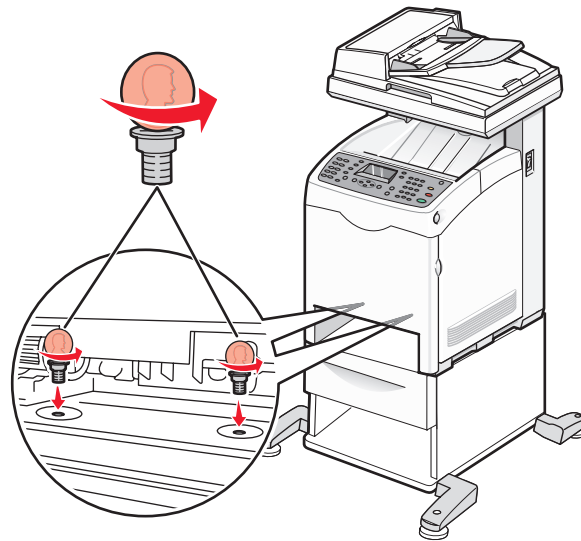
Removing the printer from the 550-sheet drawer

- 1** Turn the printer off, and then unplug the power cord from the wall outlet.
- 2** Disconnect all cables from the back of the printer.

3 Grasp the handle, and pull the standard tray (Tray 2) out. Remove the tray completely.

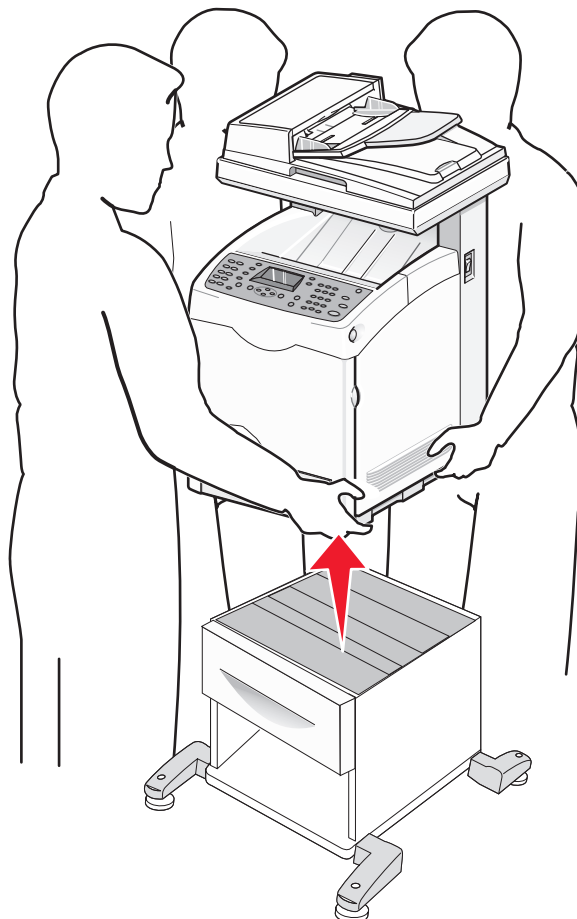


- 4 Use a coin or similar object to remove the two screws attaching the 550-sheet drawer, and then store them for later use.



- 5 Lift the printer off the drawer, and set the printer aside.

⚠ CAUTION—POTENTIAL INJURY: The printer weighs 41 kg (97 lb), and requires at least three people to lift it safely. Use the handholds on the sides of the printer to lift it, and make sure your fingers are not under the printer when you set it down.



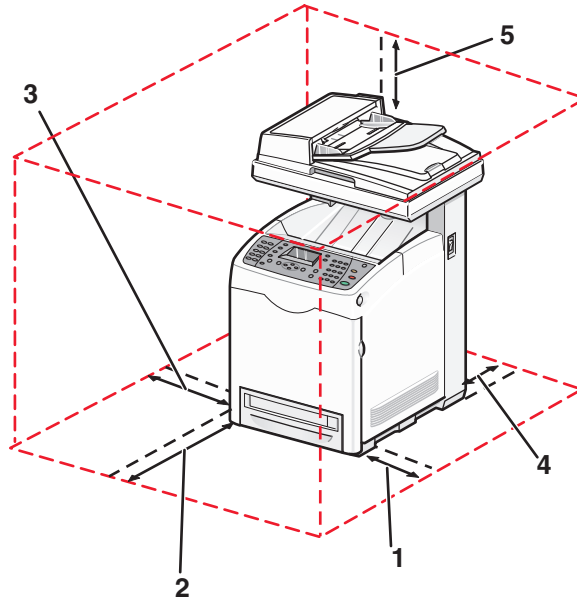
Moving the printer to another location

The printer and options can be safely moved to another location by following these precautions:

- Any cart used to move the printer must have a surface able to support the full footprint of the printer. Any cart used to move the options must have a surface able to support the dimensions of the options.
- Keep the printer in an upright position.
- Avoid severe jarring movements.

Setting the printer up in a new location

When the printer is set up, allow clearance around it as shown.



1	10 cm (4.0 in.)
2	60 cm (23.5 in.)
3	10 cm (4.0 in.)
4	10 cm (4.0 in.)
5	35 cm (13.75 in.)

Adjusting the color registration

Adjusting the color registration automatically

- 1 From the printer control panel, press **System**.
- 2 Press ▲ or ▼ repeatedly until **Admin** appears, and then press **OK**.
- 3 Press ▲ or ▼ repeatedly until **Maintenance** appears, and then press **OK**.
- 4 Press ▲ or ▼ repeatedly until **Adjust ColorRegi** appears, and then press **OK**.
- 5 Press ▲ or ▼ repeatedly until **Auto Correct** appears, and then press **OK**.
- 6 Press ▲ or ▼ repeatedly until **Yes** appears, and then press **OK**.

The printer returns to **Select Function**.

Note: An automatic color registration adjustment is performed every time a new print cartridge is installed.

Adjusting the color registration manually

You can fine-tune color registration by performing a manual adjustment:

- 1 From the printer control panel, press **System**.
- 2 Press ▲ or ▼ repeatedly until **Admin** appears, and then press **OK**.
- 3 Press ▲ or ▼ repeatedly until **Maintenance** appears, and then press **OK**.
- 4 Press ▲ or ▼ repeatedly until **Adjust Color Regi** appears, and then press **OK**.
- 5 Press ▲ or ▼ repeatedly until **Color Regi Chart** appears, and then press **OK**.
- 6 Press **OK** to print the Color Registration Chart.
- 7 The chart prints and the printer returns to **Select Function**.

On the Color Registration Chart, locate the lines to the right of the Y (Yellow), M (Magenta), and C (Cyan) pattern, and find the values of the straightest lines. When 0 is the value nearest the straightest line, you do not need to adjust the color registration. When the value is not 0, enter the correct value:

- 1 From the printer control panel, press **System**.
- 2 Press ▲ or ▼ repeatedly until **Admin** appears, and then press **OK**.
- 3 Press ▲ or ▼ repeatedly until **Maintenance** appears, and then press **OK**.
- 4 Press ▲ or ▼ repeatedly until **Adjust Color Regi** appears, and then press **OK**.
- 5 Press ▲ or ▼ repeatedly until **Color Regi** appears, and then press **OK**.
- 6 Select **Yellow**, **Magenta**, or **Cyan**, and then press **OK**.
- 7 Press ▲ or ▼ repeatedly until you reach the value displayed on the chart.
- 8 Press ↵.

9 Press ▲ or ▼ repeatedly until **Color Regi Chart** appears, and then press **OK**.

10 Press **OK** to print the Color Registration Chart.

The Color Registration Chart is printed with the new values and the printer returns to **Select Function**. Verify that 0 is the value nearest the straightest line. If further adjustments are needed, repeat steps 1–10.

Administrative support

Locking the administrator menus

Since many people often use a printer, a support person may choose to lock the Admin Menu, Scan and Fax functions, or incoming faxes for security reasons. The following settings are available:

Secure setting	Description
Panel Lock	Access to Admin Menu is disabled.
Scan/Fax Lock	Access to the scanner and fax requires a password. Panel Lock must be enabled before enabling Scan/Fax Lock.
Secure Receive Lock	Incoming faxes require a password to print them. Panel Lock must be enabled before enabling Secure Receive Lock.

To enable Secure Settings:

- 1 Make sure the printer is on and **Select Function** appears.
- 2 From the printer control panel, press **System**.
- 3 Press ▲ or ▼ repeatedly until **Admin Menu** appears, and then press **OK**.
- 4 Press ▲ or ▼ repeatedly until **Secure Settings** appears, and then press **OK**.
- 5 Press ▲ or ▼ repeatedly until **Panel Lock** appears, and then press **OK**.
- 6 Press **OK**.
- 7 Press ▲ or ▼ repeatedly until **Enable** appears, and then press **OK**.
- 8 Press ▲ or ▼ repeatedly until **Change Password** appears, and then press **OK**.
- 9 You are prompted to enter a password (PIN). Use the keypad to enter a 4-digit PIN, and then press **OK**.
- 10 Repeat the steps for additional security settings, and then press ↵ repeatedly until **Select Function** appears.

Adjusting Power Saver

Power saver can be adjusted for both the printer and the scanner lamp. The following modes are available:

Power saver setting	Description
Mode 1 (Printer)	Reduces power consumption when the printer is left idle
Mode 2 (System)	Controls the scanner lamp

To adjust power saver settings:

- 1 Make sure the printer is on and **Select Function** appears.
- 2 From the printer control panel, press **System**.

- 3 Press ▲ or ▼ repeatedly until **Admin Menu** appears, and then press **OK**.
- 4 Press ▲ or ▼ repeatedly until **System Settings** appears, and then press **OK**.
- 5 Press ▲ or ▼ repeatedly until **Power Saver Timer** appears, and then press **OK**.
- 6 Press **OK**.
- 7 Press ▲ or ▼ repeatedly until to select **Mode 1 (Printer)** or **Mode 2 (System)**, and then press **OK**.
- 8 Press ▲ or ▼ repeatedly to adjust the time, or use the keypad to enter a value, and then press **OK**.
- 9 Press ↵ repeatedly until **Select Function** appears.

Setting the Auto Reset

Setting the Auto Reset specifies the time the printer waits for further printer control panel input before automatically returning to **Select Function**.

- 1 Make sure the printer is on and **Select Function** appears.
- 2 From the printer control panel, press **System**.
- 3 Press ▲ or ▼ repeatedly until **Admin Menu** appears, and then press **OK**.
- 4 Press ▲ or ▼ repeatedly until **System Settings** appears, and then press **OK**.
- 5 Press ▲ or ▼ repeatedly until **Auto Reset** appears, and then press **OK**.
- 6 Press ▲ or ▼ repeatedly to adjust the time, and then press **OK**.
- 7 Press ↵ repeatedly until **Select Function** appears.

Using the Embedded Web Server

If the printer is installed on a network, the Embedded Web Server can be used for the following functions:

- Checking the status of the printer
- Checking the status of the printer supplies
- Setting up the Address Book
- Setting up the fax Speed Dial list
- Configuring network settings
- Creating an Embedded Web Server administrator password

To access the Embedded Web Server:

- 1 Open a Web browser.
- 2 In the address bar, type the network printer or print server IP address, and then press **Enter**.

Creating an administrator password for the Embedded Web Server

- 1 Open a Web browser.
- 2 In the address bar, type the IP address of the printer, and then press **Enter**.
If the Java applet screen appears, click **Yes**.
- 3 Click **Properties**.
- 4 Under Security, click **Administrator Security Settings**.
- 5 Select the **Enable Administrator Mode** check box.
- 6 Fill in the log-in information:
 - a In the User Name field, enter the log-in name for the administrator.
 - b In the Password field, enter the log-in password.
 - c In the Verify Password field, re-enter the log-in password.
- 7 Click **Save Changes**. The new password has been set and anyone with the administrator name and password can log in and make changes to the printer configuration and settings.

Creating e-mail alerts

Note: In order to use this function, Email Server (SMTP) must be configured from the Embedded Web Server.

When connected to a network environment in which sending and receiving of e-mail is possible, the printer can send an e-mail report to specified e-mail addresses containing the following information:

- Network settings and the printer status
- Status of errors which have occurred on the printer

To set up e-mail alerts for this printer:

- 1 Open a Web browser.
- 2 In the address bar, type the IP address of the printer, and then press **Enter**.
If the Java applet screen appears, click **Yes**.
- 3 Click **Properties**.
- 4 Click **Mail Alerts**.
- 5 Select the **Enable Mail Alerts** check box.
- 6 Fill in the Mail Address fields with the desired e-mail addresses.
- 7 Click the Notification Items you want to include in the e-mail message.
- 8 Click **Save Changes**.

Troubleshooting

Online customer support

Customer support is available on the Lexmark Web site at www.lexmark.com

Checking an unresponsive printer

If your printer is not responding, make sure:

- The power cord is plugged into the printer and a properly grounded electrical outlet.
- The electrical outlet is not turned off by any switch or breaker.
- The printer is not plugged into any surge protectors, uninterrupted power supplies, or extension cords.
- Other electrical equipment plugged into the outlet is working.
- The printer is turned on.
- The printer cable is securely attached to the printer and the host computer, print server, option, or other network device.

Once you have checked each of these possibilities, turn the printer off and then back on. This often fixes the problem.

Solving printing problems

Multiple-language PDFs do not print

The documents contain unavailable fonts.

- 1 Open the document you want to print in Adobe Acrobat.
- 2 Click the printer icon.
The Print dialog appears.
- 3 Select **Print as image**.
- 4 Click **OK**.

Printer control panel display is blank

The printer self test failed. Turn the printer off, wait about 10 seconds, and then turn the printer back on.

If **Select Function** does not appear, turn the printer off and contact Customer Support.

Jobs do not print

These are possible solutions. Try one or more of the following:

MAKE SURE THE PRINTER IS READY TO PRINT

Make sure **Select Function** appears on the display or the Wake Up light is on before sending a job to print. Press **Wake Up** to return the printer to **Select Function**.

CHECK TO SEE IF THE PAPER TRAY IS EMPTY

Load paper in the tray.

MAKE SURE THE CORRECT PRINTER SOFTWARE IS INSTALLED

- Verify that you are using the correct printer software.
- If you are using a USB port, make sure you are running Windows 98/ME, Windows 2000, Windows XP, or Windows Server 2003 and using Windows 98/ME, Windows 2000, Windows XP, or Windows Server 2003 compatible printer software.

MAKE SURE YOU ARE USING A RECOMMENDED USB, PARALLEL, OR ETHERNET CABLE

For more information, see the supplies section of the *User's Guide*, or contact the place where you bought the printer.

MAKE SURE PRINTER CABLES ARE SECURELY CONNECTED

Check the cable connections to the printer and print server to make sure they are secure.

For more information, see the setup documentation that came with the printer.

Job takes longer than expected to print

The job is too complex.

Reduce the complexity of your print job by eliminating the number and size of fonts, the number and complexity of images, and the number of pages in the job.

Tray linking does not work

Make sure to do all of the following:

- Load both Tray 2 and Tray 3 with the same paper size and type.
- From Print Properties, change the Paper source to Auto select.
- Set Tray Switching to Nearest Size:
 - 1 From the printer control panel, press **System**.
 - 2 Press **▲** or **▼** repeatedly until **Admin Menu** appears, and then press **OK**.
 - 3 Press **▲** or **▼** repeatedly until **System Settings** appears, and then press **OK**.
 - 4 Press **▲** or **▼** repeatedly until **Tray Switching** appears, and then press **OK**.

- 5 Press ▲ or ▼ repeatedly until **Nearest Size** appears, and then press **OK**.
- 6 Press ↶ repeatedly until **Select Function** appears.

Unexpected page breaks occur

- 1 Make sure the printer is on and **Select Function** appears.
- 2 From the printer control panel, press **System**.
- 3 Press ▲ or ▼ repeatedly until **Admin Menu** appears, and then press **OK**.
- 4 Press ▲ or ▼ repeatedly until **System Settings** appears, and then press **OK**.
- 5 Press ▲ or ▼ repeatedly until **Time-Out** appears, and then press **OK**.
- 6 Press ▲ or ▼ repeatedly until **On** appears, and then press **OK**.
- 7 Press ▲ or ▼ repeatedly to adjust the time, or use the keypad to enter a value, and then press **OK**.
- 8 Press ▲ or ▼ repeatedly to adjust the time, or use the keypad to enter a value, and then press **OK**.
- 9 Press ↶ repeatedly until **Select Function** appears.

Solving copy problems

Copier does not respond

These are possible solutions. Try one or more of the following:

ARE THERE ANY ERROR MESSAGES ON THE DISPLAY?

Clear any error messages.

CHECK THE POWER

Make sure the printer is plugged in, the power is on, and **Select Function** appears.

Scanner unit does not close

Make sure there are no obstructions:

- 1 Lift the scanner unit.
- 2 Remove any obstruction keeping the scanner unit open.
- 3 Lower the scanner unit.

Poor copy quality

These are some examples of poor copy quality:

- Blank pages
- Checkerboard pattern
- Distorted graphics or pictures

- Missing characters
- Faded print
- Dark print
- Skewed lines
- Smudges
- Streaks
- Unexpected characters
- White lines in print

These are possible solutions. Try one or more of the following:

ARE THERE ANY ERROR MESSAGES ON THE DISPLAY?

Clear any error messages.

IS THE TONER LOW?

When **Replace <color> Print Cartridge Soon** appears or when the print becomes faded, you may be able to extend the life of the print cartridge:

- 1 Remove the specified print cartridge.
- 2 Firmly shake the cartridge side-to-side and front-to-back several times to redistribute toner.
- 3 Reinsert the print cartridge and continue printing.

IS THE SCANNER GLASS DIRTY?

Clean the scanner glass with a clean, lint-free cloth dampened with water.

IS THE COPY TOO LIGHT OR TOO DARK?

To darken or lighten the overall color levels of your copies:

- 1 From the printer control panel, press **System**.
- 2 Press ▲ or ▼ repeatedly until **Default Settings** appears, and then press **OK**.
- 3 Press ▲ or ▼ repeatedly until **Copy Defaults** appears, and then press **OK**.
- 4 Press ▲ or ▼ repeatedly until **Color Saturation** appears, and then press **OK**.
- 5 Press ▲ or ▼ repeatedly until **Higher, Normal, or Lower** appears, and then press **OK**.
- 6 Press ↶ repeatedly until **Select Function** appears.

ADJUST THE COPY QUALITY

- 1 From the printer control panel, press **System**.
- 2 Press ▲ or ▼ repeatedly until **Default Settings** appears, and then press **OK**.
- 3 Press ▲ or ▼ repeatedly until **Copy Defaults** appears, and then press **OK**.
- 4 Press ▲ or ▼ repeatedly until **Output Quality** appears, and then press **OK**.

5 Press ▲ or ▼ repeatedly until **Standard** or **Enhanced** appears, and then press **OK**.

6 Press ↶ repeatedly until **Select Function** appears.

CHECK THE QUALITY OF THE ORIGINAL DOCUMENT

Make sure the quality of the original document is satisfactory.

CHECK THE DOCUMENT PLACEMENT

Make sure the document or photo is loaded facedown on the scanner glass in the upper left corner.

Partial document or photo copies

These are possible solutions. Try one or more of the following:

CHECK THE DOCUMENT PLACEMENT

Make sure the document or photo is loaded facedown on the scanner glass in the upper left corner.

CHECK THE PAPER SIZE SETTING

Make sure the Paper Size setting matches the paper loaded in the tray.

Solving scan problems

Scanner does not respond

These are possible solutions. Try one or more of the following:

ARE THERE ANY ERROR MESSAGES ON THE DISPLAY?

Clear any error messages.

CHECK THE POWER

Make sure the printer is plugged in, the power is on, and **Select Function** appears.

CHECK THE CABLE CONNECTIONS

Make sure the network, parallel, or USB cable is securely connected to the computer and the printer.

Scan was not successful

These are possible solutions. Try one or more of the following:

CHECK THE CABLE CONNECTIONS

Make sure the network, parallel, or USB cable is securely connected to the computer and the printer.

AN ERROR MAY HAVE OCCURRED IN THE PROGRAM

Turn off and then restart the computer.

Scanning takes too long or freezes the computer

These are possible solutions. Try one or more of the following:

DO YOU HAVE ANY OTHER SOFTWARE PROGRAMS RUNNING?

Close all programs not being used.

THE SCAN RESOLUTION MAY BE SET TOO HIGH

Select a lower scan resolution.

Poor scanned image quality

These are possible solutions. Try one or more of the following:

ARE THERE ANY ERROR MESSAGES ON THE DISPLAY?

Clear any error messages.

IS THE SCANNER GLASS DIRTY?

Clean the scanner glass with a clean, lint-free cloth dampened with water.

ADJUST THE SCAN RESOLUTION

Increase the resolution of the scan for a higher quality output:

- 1 From the printer control panel, press **System**.
- 2 Press **▲** or **▼** repeatedly until **Default Settings** appears, and then press **OK**.
- 3 Press **▲** or **▼** repeatedly until **Scan Defaults** appears, and then press **OK**.
- 4 Press **▲** or **▼** repeatedly until **Resolution** appears, and then press **OK**.
- 5 Press **▲** or **▼** repeatedly to select a higher resolution, and then press **OK**.
- 6 Press **↶** repeatedly until **Select Function** appears.

CHECK THE QUALITY OF THE ORIGINAL DOCUMENT

Make sure the quality of the original document is satisfactory.

CHECK THE DOCUMENT PLACEMENT

Make sure the document or photo is loaded facedown on the scanner glass in the upper left corner.

Partial document or photo scans

These are possible solutions. Try one or more of the following:

CHECK THE DOCUMENT PLACEMENT

Make sure the document or photo is loaded facedown on the scanner glass in the upper left corner.

CHECK THE PAPER SIZE SETTING

Make sure the Paper Size setting matches the paper loaded in the tray.

Cannot scan from a computer

These are possible solutions. Try one or more of the following:

ARE THERE ANY ERROR MESSAGES ON THE DISPLAY?

Clear any error messages.

CHECK THE POWER

Make sure the printer is plugged in, the power is on, and **Select Function** appears.

CHECK THE CABLE CONNECTIONS

Make sure the network, parallel, or USB cable is securely connected to the computer and the printer.

Solving fax problems

Cannot send or receive a fax

These are possible solutions. Try one or more of the following:

ARE THERE ANY ERROR MESSAGES ON THE DISPLAY?

Clear any error messages.

CHECK THE POWER

Make sure the printer is plugged in, the power is on, and **Select Function** appears.

CHECK THE PRINTER CONNECTIONS

Make sure the cable connections for the following hardware are secure, if applicable:

- Telephone
- Handset
- Answering machine

CHECK THE TELEPHONE WALL JACK

- 1 Plug a telephone into the wall jack.
- 2 Listen for a dial tone.
- 3 If you do not hear a dial tone, plug a different telephone into the wall jack.
- 4 If you still do not hear a dial tone, plug a telephone into a different wall jack.
- 5 If you hear a dial tone, connect the printer to that wall jack.

REVIEW THIS DIGITAL PHONE SERVICE CHECKLIST

The fax modem is an analog device. Certain devices can be connected to the printer so that digital telephone services can be used.

- If you are using an ISDN telephone service, connect the printer to an analog telephone port (an R-interface port) on an ISDN terminal adapter. For more information and to request an R-interface port, contact your ISDN provider.
- If you are using DSL, connect to a DSL filter or router that will support analog use. For more information, contact your DSL provider.
- If you are using a PBX telephone service, make sure you are connecting to an analog connection on the PBX. If none exists, consider installing an analog telephone line for the fax machine.

IS THERE A DIAL TONE?

- Place a test call to the telephone number to which you want to send a fax to make sure that it is working correctly.
- If the telephone line is being used by another device, wait until the other device is finished before sending a fax.
- If you are using the On Hook Dial feature, turn up the volume to verify a dial tone.

TEMPORARILY DISCONNECT OTHER EQUIPMENT

To ensure the printer is working correctly, connect it directly to the telephone line. Disconnect any answering machines, computers with modems, or telephone line splitters.

CHECK FOR JAMS

Clear any jams, and then make sure that **Select Function** appears.

TEMPORARILY DISABLE CALL WAITING

Call Waiting can disrupt fax transmissions. Disable this feature before sending or receiving a fax. Call your telephone company to obtain the keypad sequence for temporarily disabling Call Waiting.

DO YOU HAVE VOICE MAIL SERVICE?

Voice Mail offered through your local telephone company may disrupt fax transmissions. To enable both Voice Mail and the printer to answer calls, you may want to consider adding a second telephone line for the printer.

CHECK THE COUNTRY CODE

- 1 From the printer control panel, press **System**.
- 2 Press ▲ or ▼ repeatedly until **Admin Menu** appears, and then press **OK**.
- 3 Press ▲ or ▼ repeatedly until **Fax Settings** appears, and then press **OK**.
- 4 Press ▲ or ▼ repeatedly until **Country** appears, and then press **OK**.
- 5 Press ▲ or ▼ repeatedly until the desired country or region appears, and then press **OK**.
- 6 Press ▲ or ▼ repeatedly until **Yes** appears, and then press **OK**.

The printer performs its power-on sequence, and then **Select Function** appears.

IS THE PRINTER MEMORY FULL?

- 1 Dial the fax number.
- 2 Scan the original document one page at a time.

Can send but not receive faxes

These are possible solutions. Try one or more of the following:

IS THERE PAPER IN THE PAPER TRAY(S)?

Make sure paper is loaded in the tray(s).

IS THE TONER LOW?

When **Replace <color> Print Cartridge Soon** appears or when the print becomes faded, you may be able to extend the life of the print cartridge:

- 1 Remove the specified print cartridge.
- 2 Firmly shake the cartridge side-to-side and front-to-back several times to redistribute toner.
- 3 Reinsert the print cartridge and continue printing.

Can receive but not send faxes

These are possible solutions. Try one or more of the following:

IS THE PRINTER IN FAX MODE?

From the printer control panel, press **Fax** to put the printer in Fax mode.

IS THE DOCUMENT LOADED PROPERLY?

Load the original document faceup, short edge first into the ADF or facedown on the scanner glass in the upper left corner.

Note: Do not load postcards, photos, small items, transparencies, photo paper, or thin media (such as magazine clippings) into the ADF. Place these items on the scanner glass.

MAKE SURE SPEED DIAL IS SET UP PROPERLY

- Check to make sure Speed Dial has been programmed for the number that you want to dial.
- As an alternative, dial the telephone number manually.

Received fax has poor print quality

These are possible solutions. Try one or more of the following:

CAN THE DOCUMENT BE RE-SENT?

Ask the person who sent you the fax to:

- Check that the quality of the original document is satisfactory.
- Resend the fax. There may have been a problem with the quality of the telephone line connection.
- Increase the fax scan resolution, if possible.

IS THE TONER LOW?

When **Replace <color> Print Cartridge Soon** appears or when the print becomes faded, you may be able to extend the life of the print cartridge:

- 1 Remove the specified print cartridge.
- 2 Firmly shake the cartridge side-to-side and front-to-back several times to redistribute toner.
- 3 Reinsert the print cartridge and continue printing.

Solving option problems

Option does not operate correctly or quits after it is installed

These are possible solutions. Try one or more of the following:

RESET THE PRINTER

Turn the printer off, wait for about 10 seconds, and then turn the printer on.

CHECK TO SEE IF THE OPTION IS CONNECTED TO THE PRINTER

- 1 Turn the printer off.
- 2 Unplug the printer.
- 3 Check the connection between the option and the printer.

MAKE SURE THE OPTION IS INSTALLED

In Print Properties, verify that all the printer configuration settings are correct. If an option does not appear in Print Properties, it is not installed correctly.

MAKE SURE THE OPTION IS SELECTED

From the program you are using, select the option.

Drawers

MAKE SURE THE PAPER IS LOADED CORRECTLY

- 1 Open the paper tray.
- 2 Check for paper jams or misfeeds.
- 3 Make sure paper guides are aligned against the edges of the paper.
- 4 Make sure the paper tray closes properly.
- 5 Close the door.

RESET THE PRINTER

Turn the printer off. Wait 10 seconds. Turn the printer back on.

Solving paper feed problems

Paper frequently jams

These are possible solutions. Try one or more of the following:

CHECK THE PAPER

Use recommended paper and other specialty media. For more information, see the chapter about paper and specialty media guidelines.

MAKE SURE THERE IS NOT TOO MUCH PAPER IN THE PAPER TRAY

Make sure the stack of paper you load does not exceed the maximum stack height indicated in the tray or on the multipurpose feeder.

CHECK THE PAPER GUIDES

Move the guides in the tray to the correct positions for the paper size loaded.

HAS THE PAPER ABSORBED MOISTURE DUE TO HIGH HUMIDITY?

- Load paper from a fresh package.
- Store paper in its original wrapper until you use it.

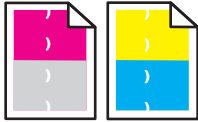
Paper jam message remains after jam is cleared

The paper path is not clear. Clear paper from the entire paper path, and then close any open doors.

Solving print quality problems

The information in the following topics may help you solve print quality problems. If these suggestions still do not correct the problem, call Customer Support. You may have a printer part that requires adjustment or replacement.

Repeating defects



These are possible solutions. Try one or more of the following:

CHECK TO SEE IF MARKS OCCUR REPEATEDLY ONLY IN ONE COLOR AND MULTIPLE TIMES ON A PAGE

Replace the print cartridge if the defects occur every:

- 22 mm (.87 in.)
- 25 mm (.98 in.)
- 26 mm (1.02 in.)
- 29 mm (1.14 in.)
- 75 mm (2.95 in.)

CHECK TO SEE IF MARKS OCCUR ACROSS THE PAGE REPEATEDLY IN ALL COLORS

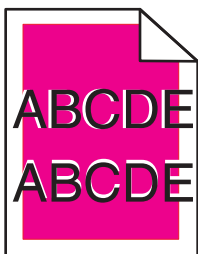
Replace the transfer belt if the defects occur every:

- 28 mm (1.10 in.)
- 38 mm (1.50 in.)
- 57 mm (2.25 in.)

Replace the fuser if the defects occur every:

- 19 mm (.75 in.)
- 31 mm (1.22 in.)
- 43 mm (1.69 in.)
- 83 mm (3.27 in.)
- 94 mm (3.70 in.)

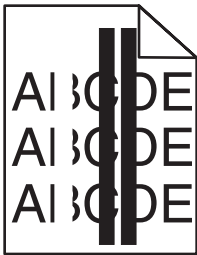
Color misregistration



Color has shifted outside of the appropriate area or has been superimposed over another color area.

- Remove and reinstall the print cartridges.
- Adjust the color registration:
 - 1 From the printer control panel, press **System**.
 - 2 Press ▲ or ▼ repeatedly until **Admin** appears, and then press **OK**.
 - 3 Press ▲ or ▼ repeatedly until **Maintenance** appears, and then press **OK**.
 - 4 Press ▲ or ▼ repeatedly until **Adjust ColorRegi** appears, and then press **OK**.
 - 5 Press ▲ or ▼ repeatedly until **Auto Correct** appears, and then press **OK**.
 - 6 Press ▲ or ▼ repeatedly until **Yes** appears, and then press **OK**.The printer returns to the **Select Function** state.

Light colored line, white line, or incorrectly colored line



These are possible solutions. Try one or more of the following:

CLEAN THE LASER LENS

The laser lens may be dirty.

IS A PRINT CARTRIDGE DEFECTIVE?

Replace the print cartridge causing the line.

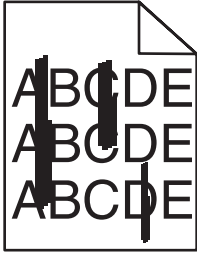
IS THE TRANSFER BELT DEFECTIVE?

Replace the transfer belt.

IS THE FUSER DEFECTIVE?

Replace the fuser.

Streaked vertical lines



These are possible solutions. Try one or more of the following:

IS THE TONER SMEARED?

Try feeding from another tray.

IS A PRINT CARTRIDGE DEFECTIVE?

Replace the print cartridge causing the streaks.

IS THE TRANSFER BELT DEFECTIVE?

Replace the transfer belt.

Print is too light

These are possible solutions. Try one or more of the following:

MAKE SURE THE IMAGE OPTIONS SETTINGS ARE NOT TOO LIGHT

From Print Properties, adjust the Brightness setting before sending the job to print.

Note: This solution applies to Windows users only.

CHECK THE PAPER TYPE SETTING

From Print Properties, make sure the Paper Type setting matches the paper loaded in the tray.

IS THE TONER LOW?

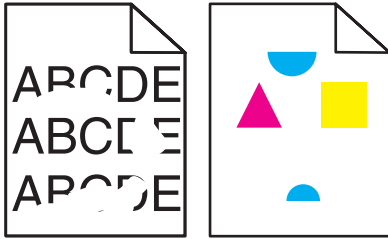
When **Replace <color> Print Cartridge Soon** appears or when the print becomes faded, you may be able to extend the life of the print cartridge:

- 1 Remove the specified print cartridge.
- 2 Firmly shake the cartridge side-to-side and front-to-back several times to redistribute toner.
- 3 Reinsert the print cartridge and continue printing.

IS A PRINT CARTRIDGE DEFECTIVE?

Replace the print cartridge.

Print irregularities



These are possible solutions. Try one or more of the following:

HAS THE PAPER ABSORBED MOISTURE DUE TO HIGH HUMIDITY?

- Load paper from a fresh package.
- Store paper in its original wrapper until you use it.

MAKE SURE THE PAPER TYPE SETTING MATCHES THE PAPER LOADED IN THE TRAY

From Print Properties, change the Paper Type setting to match the paper loaded in the tray.

CHECK THE PAPER

Avoid textured paper with rough finishes.

IS THE TONER LOW?

When **Replace <color> Print Cartridge Soon** appears or when the print becomes faded, you may be able to extend the life of the print cartridge:

- 1 Remove the specified print cartridge.
- 2 Firmly shake the cartridge side-to-side and front-to-back several times to redistribute toner.
- 3 Reinsert the print cartridge and continue printing.

IS THE FUSER DEFECTIVE OR WORN?

Replace the fuser.

Print is too dark

These are possible solutions. Try one or more of the following:

MAKE SURE THE IMAGE OPTIONS SETTINGS ARE NOT TOO DARK

From Print Properties, adjust the Brightness setting before sending the job to print.

Note: This solution applies to Windows users only.

IS A PRINT CARTRIDGE DEFECTIVE?

Replace the print cartridge.

Transparency print quality is poor

These are possible solutions. Try one or more of the following:

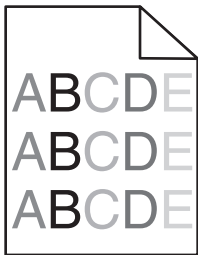
MAKE SURE THE TRANSPARENCIES YOU ARE USING MEET THE PRINTER SPECIFICATIONS

Use only transparencies recommended by the printer manufacturer.

MAKE SURE THE MEDIA TYPE SETTING IS SET TO TRANSPARENCY

From Print Properties, change the Media Type setting to Transparency.

Uneven print density



These are possible solutions. Try one or more of the following:

IS A PRINT CARTRIDGE DEFECTIVE?

Replace the print cartridge.

IS THE TRANSFER BELT DEFECTIVE?

Replace the transfer belt.

Incorrect margins

Check to see if the paper guides in the selected tray are set for a different paper size than what is loaded in the tray. If so, move the guides in the tray to the proper positions for the size loaded.

Skewed print

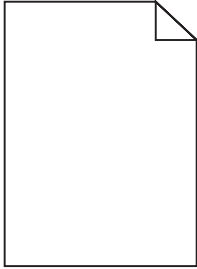
CHECK THE PAPER GUIDES

Move the guides in the tray to the correct positions for the paper size loaded.

CHECK THE PAPER

Make sure you are using paper that meets the printer specifications.

Blank pages



These are possible solutions. Try one or more of the following:

IS THE TONER LOW?

When **Replace <color> Print Cartridge Soon** appears or when the print becomes faded, you may be able to extend the life of the print cartridge:

- 1 Remove the specified print cartridge.
- 2 Firmly shake the cartridge side-to-side and front-to-back several times to redistribute toner.
- 3 Reinsert the print cartridge and continue printing.

IS THE PRINT CARTRIDGE DEFECTIVE OR EMPTY?

Replace the print cartridge.

REMOVE ANY PACKAGING MATERIALS FROM THE PRINT CARTRIDGE AND REINSTALL IT

For more information, see the setup documentation that came with the printer.

IS THE TRANSFER BELT DEFECTIVE OR EMPTY?

Replace the transfer belt.

Clipped images

These are possible solutions. Try one or more of the following:

CHECK THE PAPER GUIDES

Move the guides in the tray to the correct positions for the paper size loaded.

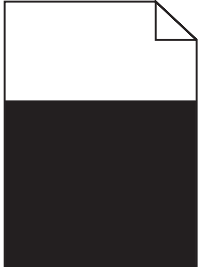
MAKE SURE THE PAPER TYPE SETTING MATCHES THE PAPER LOADED IN THE TRAY

From Print Properties, change the Paper Type setting to match the paper loaded in the tray.

CHECK THE PAPER SIZE SETTING

Make sure the Paper Size setting matches the paper loaded in the tray.

Solid color pages



These are possible solutions. Try one or more of the following:

IS A TONER CARTRIDGE DEFECTIVE?

Replace the toner cartridge.

DOES THE PRINTER NEED TO BE SERVICED?

Contact Customer Support.

Paper curl

These are possible solutions. Try one or more of the following:

MAKE SURE THE PAPER TYPE SETTING MATCHES THE PAPER LOADED IN THE TRAY

From Print Properties, change the Paper Type setting to match the paper loaded in the tray.

HAS THE PAPER ABSORBED MOISTURE DUE TO HIGH HUMIDITY?

- Load paper from a fresh package.
- Store paper in its original wrapper until you are ready to use it.

Toner specks

These are possible solutions. Try one or more of the following:

IS THE TONER LOW?

When **Replace <color> Print Cartridge Soon** appears or when the print becomes faded, you may be able to extend the life of the print cartridge:

- 1 Remove the specified print cartridge.
- 2 Firmly shake the cartridge side-to-side and front-to-back several times to redistribute toner.
- 3 Reinsert the print cartridge and continue printing.

IS THE TRANSFER BELT DEFECTIVE OR WORN?

Replace the transfer belt.

IS THE FUSER DEFECTIVE OR WORN?

Replace the fuser.

IS THERE TONER IN THE PAPER PATH?

If there is excess toner in the paper path, contact Customer Support.

Toner rubs off

These are possible solutions. Try one or more of the following:

CHECK THE PAPER TYPE SETTING

From Print Properties, change the Paper Type setting to match the paper loaded in the tray.

IS THE FUSER DEFECTIVE OR WORN?

Replace the fuser.

FAQ about color printing

What is RGB color?

Red, green, and blue light can be added together in various amounts to produce a large range of colors observed in nature. For example, red and green can be combined to create yellow. Televisions and computer monitors create colors in this manner. RGB color is a method of describing colors by indicating the amount of red, green, or blue needed to produce a certain color.

What is CMYK color?

Cyan, magenta, yellow, and black inks or toners can be printed in various amounts to produce a large range of colors observed in nature. For example, cyan and yellow can be combined to create green. Printing presses, inkjet printers, and color laser printers create colors in this manner. CMYK color is a method of describing colors by indicating the amount of cyan, magenta, yellow, and black needed to reproduce a particular color.

How is color specified in a document to be printed?

Software programs typically specify document color using RGB or CMYK color combinations. Additionally, they commonly let users modify the color of each object in a document. For more information, see the software program Help section.

How does the printer know what color to print?

When a user prints a document, information describing the type and color of each object is sent to the printer. The color information is passed through color conversion tables that translate the color into appropriate amounts of cyan, magenta, yellow, and black toner needed to produce the desired color. The object type information lets different color conversion tables be used for different types of objects. For example, it is possible to apply one type of color conversion table to text while applying a different color conversion table to photographic images.

The printed page appears tinted. Can I slightly adjust the color?

Sometimes a user may consider printed pages to appear tinted (for example, everything printed seems to be too red). This can be caused by environmental conditions, paper type, lighting conditions, or user preference. In these instances, changing the Color Balance from Print Properties may be used to create more preferable color. Color Balance provides the user with the ability to make subtle adjustments to the amount of toner being used in each color plane. Selecting positive (or negative) values for cyan, magenta, yellow, and black from the Color Balance section in Print Properties will slightly increase (or decrease) the amount of toner used for the chosen color. For example, if a user believes the overall printed page to be too red, then decreasing both magenta and yellow could potentially improve color preferences.

My color transparencies seem dark when being projected. Is there anything I can do to improve the color?

This problem most commonly occurs when projecting transparencies with reflective overhead projectors. To obtain the highest projected color quality, transmissive overhead projectors are recommended. Make sure to print on the recommended type of color transparencies.

Contacting Customer Support

When you call Customer Support, describe the problem you are experiencing, the message on the display, and the troubleshooting steps you have already taken to find a solution.

You need to know your printer model type and serial number. For more information, see the label on the inside top front cover of the printer. The serial number is also listed on the menu settings page.

In the U.S. or Canada, call (1-800-539-6275). For other countries/regions, visit the Lexmark Web site at **www.lexmark.com**.

Notices

Product name:

Lexmark X560n

Machine type:

7105

Model(s):

135

Edition notice

May 2008

The following paragraph does not apply to any country where such provisions are inconsistent with local law: LEXMARK INTERNATIONAL, INC., PROVIDES THIS PUBLICATION "AS IS" WITHOUT WARRANTY OF ANY KIND, EITHER EXPRESS OR IMPLIED, INCLUDING, BUT NOT LIMITED TO, THE IMPLIED WARRANTIES OF MERCHANTABILITY OR FITNESS FOR A PARTICULAR PURPOSE. Some states do not allow disclaimer of express or implied warranties in certain transactions; therefore, this statement may not apply to you.

This publication could include technical inaccuracies or typographical errors. Changes are periodically made to the information herein; these changes will be incorporated in later editions. Improvements or changes in the products or the programs described may be made at any time.

References in this publication to products, programs, or services do not imply that the manufacturer intends to make these available in all countries in which it operates. Any reference to a product, program, or service is not intended to state or imply that only that product, program, or service may be used. Any functionally equivalent product, program, or service that does not infringe any existing intellectual property right may be used instead. Evaluation and verification of operation in conjunction with other products, programs, or services, except those expressly designated by the manufacturer, are the user's responsibility.

For Lexmark technical support, visit support.lexmark.com.

For information on supplies and downloads, visit www.lexmark.com.

If you don't have access to the Internet, you can contact Lexmark by mail:

Lexmark International, Inc.
Bldg 004-2/CSC
740 New Circle Road NW
Lexington, KY 40550
USA

© 2008 Lexmark International, Inc.

All rights reserved.

UNITED STATES GOVERNMENT RIGHTS

This software and any accompanying documentation provided under this agreement are commercial computer software and documentation developed exclusively at private expense.

Trademarks

Lexmark and Lexmark with diamond design are trademarks of Lexmark International, Inc., registered in the United States and/or other countries.

PCL® is a registered trademark of the Hewlett-Packard Company.

All other trademarks are the property of their respective owners.

Federal Communications Commission (FCC) compliance information statement

This product has been tested and found to comply with the limits for a Class B digital device, pursuant to Part 15 of the FCC Rules. Operation is subject to the following two conditions: (1) this device may not cause harmful interference, and (2) this device must accept any interference received, including interference that may cause undesired operation

The FCC Class B limits are designed to provide reasonable protection against harmful interference when the equipment is operated in a residential installation. This equipment generates, uses, and can radiate radio frequency energy and, if not installed and used in accordance with the instructions, may cause harmful interference to radio communications. However, there is no guarantee that interference will not occur in a particular installation. If this equipment does cause harmful interference to radio or television reception, which can be determined by turning the equipment off and on, the user is encouraged to try to correct the interference by one or more of the following measures:

- Reorient or relocate the receiving antenna.
- Increase the separation between the equipment and receiver.
- Connect the equipment into an outlet on a circuit different from that to which the receiver is connected.
- Consult your point of purchase or service representative for additional suggestions.

The manufacturer is not responsible for radio or television interference caused by using other than recommended cables or by unauthorized changes or modifications to this equipment. Unauthorized changes or modifications could void the user's authority to operate this equipment.

Note: To assure compliance with FCC regulations on electromagnetic interference for a Class B computing device, use a properly shielded and grounded cable such as Lexmark part number 1021231 for parallel attach or 1021294 for USB attach. Use of a substitute cable not properly shielded and grounded may result in a violation of FCC regulations.

Any questions regarding this compliance information statement should be directed to:

Director of Lexmark Technology & Services
Lexmark International, Inc.
740 West New Circle Road
Lexington, KY 40550
(859) 232-3000

Industry Canada compliance statement

This Class B digital apparatus meets all requirements of the Canadian Interference-Causing Equipment Standard ICES-003.

Avis de conformité aux normes de l'industrie du Canada

Cet appareil numérique de classe B est conforme aux exigences de la norme canadienne relative aux équipements pouvant causer des interférences NMB-003.

European Community (EC) directives conformity

This product is in conformity with the protection requirements of EC Council directives 2004/108/EC, 2006/95/EC, and 1999/5/EC on the approximation and harmonization of the laws of the Member States relating to electromagnetic compatibility, safety of electrical equipment designed for use within certain voltage limits and on radio equipment and telecommunications terminal equipment.

Compliance is indicated by the CE marking.



A declaration of conformity with the requirements of the directives is available from the Director of Manufacturing and Technical Support, Lexmark International, S. A., Boigny, France.

This product satisfies the limits of EN 55022; safety requirements of EN 60950; and the EMC requirements of EN 55024.

Česky	Společnost Lexmark International, Inc. tímto prohlašuje, že výrobek tento výrobek je ve shodě se základními požadavky a dalšími příslušnými ustanoveními směrnice 1999/5/ES.
Dansk	Lexmark International, Inc. erklærer herved, at dette produkt overholder de væsentlige krav og øvrige relevante krav i direktiv 1999/5/EF.
Deutsch	Hiermit erklärt Lexmark International, Inc., dass sich das Gerät dieses Gerät in Übereinstimmung mit den grundlegenden Anforderungen und den übrigen einschlägigen Bestimmungen der Richtlinie 1999/5/EG befindet.
Ελληνική	ΜΕ ΤΗΝ ΠΑΡΟΥΣΑ Η LEXMARK INTERNATIONAL, INC. ΔΗΛΩΝΕΙ ΟΤΙ ΑΥΤΟ ΤΟ ΠΡΟΪΟΝ ΣΥΜΜΟΡΦΩΝΕΤΑΙ ΠΡΟΣ ΤΙΣ ΟΥΣΙΩΔΕΙΣ ΑΠΑΙΤΗΣΕΙΣ ΚΑΙ ΤΙΣ ΛΟΙΠΕΣ ΣΧΕΤΙΚΕΣ ΔΙΑΤΑΞΕΙΣ ΤΗΣ ΟΔΗΓΙΑΣ 1999/5/ΕΚ.
English	Hereby, Lexmark International, Inc., declares that this type of equipment is in compliance with the essential requirements and other relevant provisions of Directive 1999/5/EC.
Español	Por medio de la presente, Lexmark International, Inc. declara que este producto cumple con los requisitos esenciales y cualesquiera otras disposiciones aplicables o exigibles de la Directiva 1999/5/CE.
Eesti	Käesolevaga kinnitab Lexmark International, Inc., et seade see toode vastab direktiivi 1999/5/EÜ põhinõuetele ja nimetatud direktiivist tulenevatele muudele asjakohastele sätetele.
Suomi	Lexmark International, Inc. vakuuttaa täten, että tämä tuote on direktiivin 1999/5/EY oleellisten vaatimusten ja muiden sitä koskevien direktiivin ehtojen mukainen.
Français	Par la présente, Lexmark International, Inc. déclare que l'appareil ce produit est conforme aux exigences fondamentales et autres dispositions pertinentes de la directive 1999/5/CE.
Magyar	Alulírott, Lexmark International, Inc. nyilatkozom, hogy a termék megfelel a vonatkozó alapvető követelményeknek és az 1999/5/EC irányelv egyéb előírásainak.

Íslenska	Hér með lýsir Lexmark International, Inc. yfir því að þessi vara er í samræmi við grunnkröfur og aðrar kröfur, sem gerðar eru í tilskipun 1999/5/EC.
Italiano	Con la presente Lexmark International, Inc. dichiara che questo questo prodotto è conforme ai requisiti essenziali ed alle altre disposizioni pertinenti stabilite dalla direttiva 1999/5/CE.
Latviski	Ar šo Lexmark International, Inc. deklarē, ka šis izstrādājums atbilst Direktīvas 1999/5/EK būtiskajām prasībām un citiem ar to saistītajiem noteikumiem.
Lietuvių	Šiuo Lexmark International, Inc. deklaruoja, kad šis produktas atitinka esminius reikalavimus ir kitas 1999/5/EB direktyvos nuostatas.
Malti	Bil-preżenti, Lexmark International, Inc., jiddikjara li dan il-prodott huwa konformi mal-htigijiet essenzjali u ma dispożizzjonijiet oħrajn rilevanti li jinsabu fid-Direttiva 1999/5/KE.
Nederlands	Hierbij verklaart Lexmark International, Inc. dat het toestel dit product in overeenstemming is met de essentiële eisen en de andere relevante bepalingen van richtlijn 1999/5/EG.
Norsk	Lexmark International, Inc. erklærer herved at dette produktet er i samsvar med de grunnleggende krav og øvrige relevante krav i direktiv 1999/5/EF.
Polski	Niniejszym Lexmark International, Inc. oświadcza, że niniejszy produkt jest zgodny z zasadniczymi wymogami oraz pozostałymi stosownymi postanowieniami Dyrektywy 1999/5/EC.
Português	A Lexmark International Inc. declara que este este produto está conforme com os requisitos essenciais e outras disposições da Diretiva 1999/5/CE.
Slovensky	Lexmark International, Inc. týmto vyhlasuje, že tento produkt spĺňa základné požiadavky a všetky príslušné ustanovenia smernice 1999/5/ES.
Slovensko	Lexmark International, Inc. izjavlja, da je ta izdelek v skladu z bistvenimi zahtevami in ostalimi relevantnimi določili direktive 1999/5/ES.
Svenska	Härmed intygar Lexmark International, Inc. att denna produkt står i överensstämmelse med de väsentliga egenskapskrav och övriga relevanta bestämmelser som framgår av direktiv 1999/5/EG.

Noise emission levels

The following measurements were made in accordance with ISO 7779 and reported in conformance with ISO 9296.

Note: Some modes may not apply to your product.

1-meter average sound pressure, dBA	
Printing	52 dBA
Scanning	54 dBA
Copying	53 dBA
Ready	34 dBA

Values are subject to change. See www.lexmark.com for current values.

Waste from Electrical and Electronic Equipment (WEEE) directive



The WEEE logo signifies specific recycling programs and procedures for electronic products in countries of the European Union. We encourage the recycling of our products. If you have further questions about recycling options, visit the Lexmark Web site at www.lexmark.com for your local sales office phone number.

Ozone emissions statement

A standard for ozone emissions has been established by IEC 60950-1. This printer meets the standard.

Federal Communications Commission (FCC) compliance information statement

This equipment complies with Part 68 of the FCC rules and the requirements adopted by the Administrative Council for Terminal Attachments (ACTA). On the back of this equipment is a label that contains, among other information, a product identifier in the format US:AAAEQ##TXXXX. If requested, this number must be provided to your telephone company.

This equipment uses the RJ-11C Universal Service Order Code (USOC) jack.

A plug and jack used to connect this equipment to the premises' wiring and telephone network must comply with the applicable FCC Part 68 rules and requirements adopted by the ACTA. A compliant telephone cord and modular plug is provided with this product. It is designed to be connected to a compatible modular jack that is also compliant. See your setup documentation for more information.

The Ringer Equivalence Number (REN) is used to determine the number of devices that may be connected to a telephone line. Excessive RENs on a telephone line may result in the devices not ringing in response to an incoming call. In most but not all areas, the sum of RENs should not exceed five (5.0). To be certain of the number of devices that may be connected to a line, as determined by the total RENs, contact your local telephone company. For products approved after July 23, 2001, the REN for this product is part of the product identifier that has the format US:AAAEQ##TXXXX. The digits represented by ## are the REN without a decimal point (for example, 03 is a REN of 0.3). For earlier products, the REN is shown separately on the label.

If this equipment causes harm to the telephone network, the telephone company will notify you in advance that temporary discontinuance of service may be required. If advance notice is not practical, the telephone company will notify the customer as soon as possible. You will also be advised of your right to file a complaint with the FCC.

The telephone company may make changes in its facilities, equipment, operations or procedures that could affect the operation of this equipment. If this happens, the telephone company will provide advance notice in order for you to make necessary modifications to maintain uninterrupted service.

If you experience trouble with this equipment, for repair or warranty information, contact Lexmark International, Inc. at www.lexmark.com or your Lexmark representative. If the equipment is causing harm to the telephone network, the telephone company may request that you disconnect the equipment until the problem is resolved.

This equipment contains no user serviceable parts. For repair and warranty information, contact Lexmark International, Inc. See the previous paragraph for contact information.

Connection to party line service is subject to state tariffs. Contact the state public utility commission, public service commission, or corporation commission for information.

If your home has specially wired alarm equipment connected to the telephone line, ensure the installation of this equipment does not disable your alarm equipment. If you have questions about what will disable alarm equipment, consult your telephone company or a qualified installer.

Telephone companies report that electrical surges, typically lightning transients, are very destructive to customer terminal equipment connected to AC power sources. This has been identified as a major nationwide problem. It is recommended that the customer install an appropriate AC surge arrester in the AC outlet to which this device is connected. An appropriate AC surge arrester is defined as one that is suitably rated, and certified by UL (Underwriter's Laboratories), another NRTL (Nationally Recognized Testing Laboratory), or a recognized safety certification body in the country/region of use. This is to avoid damage to the equipment caused by local lightning strikes and other electrical surges.

The Telephone Consumer Protection Act of 1991 makes it unlawful for any person to use a computer or other electronic device, including fax machines, to send any message unless said message clearly contains in a margin at the top or bottom of each transmitted page or on the first page of the transmission, the date and time it is sent and an identification of the business or other entity, or other individual sending the message, and the telephone number of the sending machine or such business, other entity, or individual. (The telephone number provided may not be a 900 number or any other number for which charges exceed local or long-distance transmission charges.)

See your user documentation in order to program this information into your fax machine.

Notice to users of the Canadian telephone network

This product meets the applicable Industry Canada technical specifications. The Ringer Equivalence Number (REN) is an indication of the maximum number of terminals allowed to be connected to a telephone interface. The terminus of an interface may consist of any combination of devices, subject only to the requirement that the sum of the RENs of all the devices does not exceed five. The modem REN is located on the rear of the equipment on the product labeling.

Telephone companies report that electrical surges, typically lightning transients, are very destructive to customer terminal equipment connected to AC power sources. This has been identified as a major nationwide problem. It is recommended that the customer install an appropriate AC surge arrester in the AC outlet to which this device is connected. An appropriate AC surge arrester is defined as one that is suitably rated, and certified by UL (Underwriter's Laboratories), another NRTL (Nationally Recognized Testing Laboratory), or a recognized safety certification body in the country/region of use. This is to avoid damage to the equipment caused by local lightning strikes and other electrical surges.

This equipment uses CA11A telephone jacks.

Avis réservé aux utilisateurs du réseau téléphonique du Canada

Ce produit est conforme aux spécifications techniques d'Industrie Canada. Le numéro REN (ringer equivalence number : numéro d'équivalence de sonnerie) fournit une indication du nombre maximum de terminaux pouvant être connectés à l'interface téléphonique. En bout de ligne, le nombre d'appareils qui peuvent être connectés n'est pas directement limité, mais la somme des REN de ces appareils ne doit pas dépasser cinq. Le numéro REN du modem est indiqué sur l'étiquette produit située à l'arrière de l'équipement.

Les compagnies de téléphone constatent que les surtensions électriques, en particulier celles dues à la foudre, entraînent d'importants dégâts sur les terminaux privés connectés à des sources d'alimentation CA. Il s'agit-là d'un problème majeur d'échelle nationale. En conséquence, il vous est recommandé de brancher un parasurtenseur dans la prise de courant à laquelle l'équipement est connecté. Utilisez un parasurtenseur répondant à des caractéristiques nominales satisfaisantes et certifié par le laboratoire d'assureurs UL (Underwriter's Laboratories), un autre laboratoire agréé de type NRTL (Nationally Recognized Testing Laboratory) ou un organisme de certification agréé dans votre région ou pays. Ceci prévient tout endommagement de l'équipement causé par les orages et autres surtensions électriques.

Cet équipement utilise des prises de téléphone CA11A.

Notice to users of the New Zealand telephone network

The following are special conditions for the Facsimile User Instructions. The grant of a telepermit for any item of terminal equipment indicates only that Telecom has accepted that the item complies with minimum conditions for connection to its network. It indicates no endorsement of the product by Telecom, nor does it provide any sort of warranty. Above all, it provides no assurance that any item will work correctly in all respects with another item of telepermitted equipment of a different make or model, nor does it imply that any product is compatible with all of Telecom's network services.

This equipment shall not be set up to make automatic calls to the Telecom's 111 Emergency Service.

This equipment may not provide for the effective hand-over of a call to another device connected to the same line.

This equipment should not be used under any circumstances that may constitute a nuisance to other Telecom customers.

Some parameters required for compliance with Telecom's telepermit requirements are dependent on the equipment associated with this device. The associated equipment shall be set to operate within the following limits for compliance to Telecom's specifications:

- There shall be no more than 10 call attempts to the same number within any 30 minute period for any single manual call initiation, and
- The equipment shall go on-hook for a period of not less than 30 seconds between the end of one attempt and the beginning of the next call attempt.
- The equipment shall be set to ensure that automatic calls to different numbers are spaced such that there is not less than 5 seconds between the end of one call attempt and the beginning of another.

New Zealand Telecom equipment notice

This equipment is not capable, under all operating conditions, of correct operation at the higher speeds for which it is designed. Telecom will accept no responsibility should difficulties arise in such circumstances.

South Africa telecommunications notice

This modem must be used in conjunction with an approved surge protection device when connected to the PSTN.

Using this product in Switzerland

This product requires a Swiss billing tone filter (Lexmark part number 14B5109 or 80D1877) to be installed on any line which receives metering pulses in Switzerland. The Lexmark filter must be used, as metering pulses are present on all analog telephone lines in Switzerland.

Utilisation de ce produit en Suisse

Cet appareil nécessite l'utilisation d'un filtre de tonalité de facturation suisse (n° de référence Lexmark : 14B5109 ou 80D1877) devant être installé sur toute ligne recevant des impulsions de comptage en Suisse. Ce filtre doit être utilisé pour toute installation car ces impulsions existent sur toutes les lignes téléphoniques suisses.

Verwendung dieses Produkts in der Schweiz

Für dieses Produkt muss ein schweizerischer Billing Tone Filter zur Zählzeichenübertragung (Lexmark Teilenummer 14B5109 oder 80D1877) für jede Leitung installiert werden, über die in der Schweiz Zeitsteuertakte übertragen werden. Die Verwendung des Lexmark Filters ist obligatorisch, da in allen analogen Telefonleitungen in der Schweiz Zeitsteuertakte vorhanden sind.

Uso del prodotto in Svizzera

Questo prodotto richiede un filtro toni Billing svizzero, (codice Lexmark 14B5109 o 80D1877) da installare su tutte le linee che ricevono impulsi remoti in Svizzera. È necessario utilizzare il filtro Lexmark poiché gli impulsi remoti sono presenti su tutte le linee analogiche in Svizzera.

Mercury statement

This product contains mercury in the lamp (<5mg Hg). Disposal of mercury may be regulated due to environmental considerations. For disposal or recycling information, contact your local authorities or the Electronic Industries Alliance: www.eiae.org.

ENERGY STAR



Notices

200

Laser notice

The printer is certified in the U.S. to conform to the requirements of DHHS 21 CFR Subchapter J for Class I (1) laser products, and elsewhere is certified as a Class I laser product conforming to the requirements of IEC 60825-1.

Class I laser products are not considered to be hazardous. The printer contains internally a Class IIIb (3b) laser that is nominally a 5 milliwatt gallium arsenide laser operating in the wavelength of 770-795 nanometers. The laser system and printer are designed so there is never any human access to laser radiation above a Class I level during normal operation, user maintenance, or prescribed service condition.

Laser advisory label

A laser notice label may be affixed to this printer as shown:



Power consumption

Product power consumption

The following table documents the power consumption characteristics of the product.

Note: Some modes may not apply to your product.

Mode	Description	Power consumption (Watts)
Printing	The product is generating hard-copy output from electronic inputs.	400 W
Copying	The product is generating hard-copy output from hard-copy original documents.	420 W
Scanning	The product is scanning hard-copy documents.	110 W
Ready	The product is waiting for a print job.	90 W
Power Saver	The product is in energy-saving mode.	<17 W
High Off	The product is plugged into a wall outlet, but the power switch is turned off.	N/A
Low Off (<1 W Off)	The product is plugged into a wall outlet, the power switch is turned off, and the product is in the lowest possible power consumption mode.	N/A
Off	The product is plugged into a wall outlet, but the power switch is turned off.	N/A

The power consumption levels listed in the previous table represent time-averaged measurements. Instantaneous power draws may be substantially higher than the average.

Values are subject to change. See www.lexmark.com for current values.

Power Saver

This product is designed with an energy-saving mode called Power Saver. The Power Saver Mode is equivalent to the EPA Sleep Mode. The Power Saver Mode saves energy by lowering power consumption during extended periods of inactivity. The Power Saver Mode is automatically engaged after this product is not used for a specified period of time, called the Power Saver Timeout.

Factory default Power Saver Timeout for this product (in minutes):	30 minutes
--	------------

By using the configuration menus, the Power Saver Timeout can be modified between 1 minute and 240 minutes. Setting the Power Saver Timeout to a low value reduces energy consumption, but may increase the response time of the product. Setting the Power Saver Timeout to a high value maintains a fast response, but uses more energy.

Off mode

If this product has an off mode which still consumes a small amount of power, then to completely stop product power consumption, disconnect the power supply cord from the wall outlet.

Total energy usage

It is sometimes helpful to calculate the total product energy usage. Since power consumption claims are provided in power units of Watts, the power consumption should be multiplied by the time the product spends in each mode in order to calculate energy usage. The total product energy usage is the sum of each mode's energy usage.

Statement of Limited Warranty

Lexmark X560n

Lexmark International, Inc., Lexington, KY

This limited warranty applies to the United States and Canada. For customers outside the U.S., refer to the country-specific warranty information that came with your product.

This limited warranty applies to this product only if it was originally purchased for your use, and not for resale, from Lexmark or a Lexmark Remarketer, referred to in this statement as "Remarketer."

Limited warranty

Lexmark warrants that this product:

- Is manufactured from new parts, or new and serviceable used parts, which perform like new parts
- Is, during normal use, free from defects in material and workmanship

If this product does not function as warranted during the warranty period, contact a Remarketer or Lexmark for repair or replacement (at Lexmark's option).

If this product is a feature or option, this statement applies only when that feature or option is used with the product for which it was intended. To obtain warranty service, you may be required to present the feature or option with the product.

If you transfer this product to another user, warranty service under the terms of this statement is available to that user for the remainder of the warranty period. You should transfer proof of original purchase and this statement to that user.

Limited warranty service

The warranty period starts on the date of original purchase as shown on the purchase receipt and ends 12 months later provided that the warranty period for any supplies and for any maintenance items included with the printer shall end earlier if it, or its original contents, are substantially used up, depleted, or consumed.

To obtain warranty service you may be required to present proof of original purchase. You may be required to deliver your product to the Remarketer or Lexmark, or ship it prepaid and suitably packaged to a Lexmark designated location. You are responsible for loss of, or damage to, a product in transit to the Remarketer or the Lexmark designated location.

When warranty service involves the exchange of a product or part, the item replaced becomes the property of the Remarketer or Lexmark. The replacement may be a new or repaired item.

The replacement item assumes the remaining warranty period of the original product.

Replacement is not available to you if the product you present for exchange is defaced, altered, in need of a repair not included in warranty service, damaged beyond repair, or if the product is not free of all legal obligations, restrictions, liens, and encumbrances.

Before you present this product for warranty service, remove all print cartridges, programs, data, and removable storage media (unless directed otherwise by Lexmark).

For further explanation of your warranty alternatives and the nearest Lexmark authorized servicer in your area contact Lexmark on the World Wide Web at <http://support.lexmark.com>.

Remote technical support is provided for this product throughout its warranty period. For products no longer covered by a Lexmark warranty, technical support may not be available or only be available for a fee.

Extent of limited warranty

Lexmark does not warrant uninterrupted or error-free operation of any product or the durability or longevity of prints produced by any product.

Warranty service does not include repair of failures caused by:

- Modification or unauthorized attachments
- Accidents, misuse, abuse or use inconsistent with Lexmark user's guides, manuals, instructions or guidance
- Unsuitable physical or operating environment
- Maintenance by anyone other than Lexmark or a Lexmark authorized servicer
- Operation of a product beyond the limit of its duty cycle
- Use of printing media outside of Lexmark specifications
- Refurbishment, repair, refilling or remanufacture by a third party of products, supplies or parts
- Products, supplies, parts, materials (such as toners and inks), software, or interfaces not furnished by Lexmark

TO THE EXTENT PERMITTED BY APPLICABLE LAW, NEITHER LEXMARK NOR ITS THIRD PARTY SUPPLIERS OR REMARKETERS MAKE ANY OTHER WARRANTY OR CONDITION OF ANY KIND, WHETHER EXPRESS OR IMPLIED, WITH RESPECT TO THIS PRODUCT, AND SPECIFICALLY DISCLAIM THE IMPLIED WARRANTIES OR CONDITIONS OF MERCHANTABILITY, FITNESS FOR A PARTICULAR PURPOSE, AND SATISFACTORY QUALITY. ANY WARRANTIES THAT MAY NOT BE DISCLAIMED UNDER APPLICABLE LAW ARE LIMITED IN DURATION TO THE WARRANTY PERIOD. NO WARRANTIES, EXPRESS OR IMPLIED, WILL APPLY AFTER THIS PERIOD. ALL INFORMATION, SPECIFICATIONS, PRICES, AND SERVICES ARE SUBJECT TO CHANGE AT ANY TIME WITHOUT NOTICE.

Limitation of liability

Your sole remedy under this limited warranty is set forth in this document. For any claim concerning performance or nonperformance of Lexmark or a Remarketer for this product under this limited warranty, you may recover actual damages up to the limit set forth in the following paragraph.

Lexmark's liability for actual damages from any cause whatsoever will be limited to the amount you paid for the product that caused the damages. This limitation of liability will not apply to claims by you for bodily injury or damage to real property or tangible personal property for which Lexmark is legally liable. **IN NO EVENT WILL LEXMARK BE LIABLE FOR ANY LOST PROFITS, LOST SAVINGS, INCIDENTAL DAMAGE, OR OTHER ECONOMIC OR CONSEQUENTIAL DAMAGES.** This is true even if you advise Lexmark or a Remarketer of the possibility of such damages. Lexmark is not liable for any claim by you based on a third party claim.

This limitation of remedies also applies to claims against any Suppliers and Remarketers of Lexmark. Lexmark's and its Suppliers' and Remarketers' limitations of remedies are not cumulative. Such Suppliers and Remarketers are intended beneficiaries of this limitation.

Additional rights

Some states do not allow limitations on how long an implied warranty lasts, or do not allow the exclusion or limitation of incidental or consequential damages, so the limitations or exclusions contained above may not apply to you.

This limited warranty gives you specific legal rights. You may also have other rights that vary from state to state.

Index

Numerics

- 550 Feeder Error 148
- 550-sheet drawer
 - installing 32
- 550-sheet tray
 - loading 44

Symbols

- <xxx> Error 148

A

- Address Book Editor 31
 - creating a computer address 74
 - creating a fax group 89
 - creating a fax number entry 88
 - creating an e-mail address 79
 - creating an FTP address 77
- Address Book menu 131
- adjusting copy quality 65
- Admin Menu
 - Address Book menu 131
 - Admin Reports menu 146
 - Fax Settings menu 136
 - Maintenance menu 144
 - Network Settings menu 134
 - Parallel Settings menu 136
 - Print Language menu 132
 - Scan to Email menu 146
 - Secure Settings menu 145
 - System Settings menu 140
 - USB Settings menu 136
- Admin Reports menu 146
- attaching cables 40
- auto exposure
 - adjusting 66
- auto exposure for scanned images
 - adjusting 81
- Auto reset
 - setting 171

B

- Billing Meters menu 131
- Black - CRUM Error 148
- box contents 12
- broadcast fax
 - sending 87
- buttons, printer control panel 16

C

- cables, attaching
 - Ethernet 40
 - USB 40
- calling Customer Support 192
- canceling
 - copy job 69
 - fax job 91
 - scan job 73
- canceling a job
 - from Mac OS X 61
 - from the printer control panel 60
 - from Windows desktop 61
 - from Windows taskbar 61
- card stock
 - guidelines 53
- checking an unresponsive printer 173
- cleaning
 - exterior of the printer 160
 - scanner glass 161
- collating copies 63
- color mode
 - setting 84
- color saturation
 - adjusting 66
- configuration page, printing 58
- connecting
 - using RJ11 adapter 19
- connecting the printer to
 - answering machine 25
 - computer modem 26
 - telephone 23
 - telephone wall jack 23
- contacting Customer Support 192
- control panel, printer 16
 - locking the administrator menus 170
 - unlocking the administrator menus 170
- Controller Error 148
- Copy Defaults menu 122
- copy margins
 - setting 69
- copy quality
 - adjusting 65
- copy troubleshooting
 - copier does not respond 175
 - partial document or photo copies 177
 - poor copy quality 175
 - poor scanned image quality 178
 - scanner unit does not close 175
- copying
 - adjusting auto exposure 66
 - adjusting color saturation 66
 - adjusting sharpness 65
 - adjusting sharpness of a scanned image 82
 - canceling a copy job 69
 - centering an image on a page 67
 - collating copies 63
 - enlarging a copy 64
 - making a copy 62
 - making a copy lighter or darker 65
 - multiple pages on one sheet 67
 - printing a poster 68
 - reducing a copy 64
 - repeating images on a sheet 68
 - selecting a paper tray for copies 63
 - selecting the type of document being copied 64
 - setting the copy margins 69
- creating e-mail alerts 172
- CRUM Error 149
- Cyan - CRUM Error 148

D

- Default Settings
 - Copy Defaults menu 122
 - Fax Defaults menu 127
 - Scan Defaults 125
- demo page, printing 59
- descreening 73
- dialing mode
 - Pulse 95
 - Touch Tone 95
- Disabled Func 149
- display troubleshooting
 - display is blank 173
- display, printer control panel 16
- document type
 - selecting for a copy 64
 - selecting for a scan 84

- documents
 - scanning text for editing 71
- documents, printing
 - from Macintosh 58
 - from Windows 58
- Door A Open, Close Door A 149
- drawer, 550-sheet
 - removing 164
 - securing 33
- Duplexer Error 149

E

- e-mail alerts
 - setting up the SMTP server 79
- editing
 - document text (OCR) 71
- Email Error, Invalid POP3 Server 149
- Email Error, Invalid SMTP Server 149
- Email Login Error 149
- Email Login Error, POP3 Login Failed 150
- Email Login Error, SMTP Login Failed 150
- Email Server, setting up 79
- Email Size Limit 150
- Embedded Web Server 171
 - creating a computer address using 75
 - creating a fax group 90
 - creating a fax number entry 88
 - creating an administrator password for 172
 - creating an e-mail address 80
 - creating an FTP address 78
- emission
- notices 194, 195, 196, 197
- enabling Color Fax 93
- enlarging a copy 64
- envelopes
 - guidelines 51
- Ethernet port 40
- Express Scan Manager 31
- exterior of the printer
 - cleaning 160
- e-mail address
 - scanning to 81
- e-mail alerts
 - creating 172

- e-mail group
 - creating using the Embedded Web Server 80

F

- Fan Motor Error 150
- FAQ about color printing 191
- fax
 - receive modes 91
- Fax Defaults menu 127
- fax resolution
 - adjusting 96
- fax settings
 - customizing for an individual fax job 97
- Fax Settings menu 136
- fax troubleshooting
 - can receive but not send faxes 181
 - can send but not receive faxes 181
 - cannot send or receive a fax 179
 - received fax has poor print quality 182
- faxing
 - adjusting fax activity report settings 92
 - adjusting resolution 96
 - canceling a fax job 91
 - choosing a fax connection 18
 - creating a fax group using Address Book Editor 89
 - creating a fax group using the Embedded Web Server 90
 - creating a fax group using the printer control panel 90
 - creating a fax number entry using Address Book Editor 88
 - creating a fax number entry using the Embedded Web Server 88
 - creating a fax number entry using the printer control panel 89
 - customizing the fax settings for an individual fax job 97
 - enabling Color Fax 93
 - enabling secure faxes 92
 - inserting a pause in a fax number 87
 - limiting access to fax and scan operations 94
 - limiting who can send faxes to the printer 94

- making a fax lighter or darker 97
- printing fax reports 93
- printing secure faxes 92
- selecting the type of document
 - being faxed 96
- sending a broadcast fax 87
- sending a fax at a specified time 93
- sending a fax while behind a PBX 95
- setting the country code 28
- setting the date 30
- setting the delayed start time 97
- setting the dialing mode 95
- setting the fax receive mode 91
- setting the outgoing fax name and number 27
- setting the time 30
- setting the time delay before receiving a fax automatically 96
- setting volume 95
- understanding fax receive modes 91
- using the ADF 86
- using the scanner glass 86
- FCC notices 194, 197
- FTP address
 - scanning to 78
- FTP address, creating 78
- fuser
 - ordering 162
- Fuser CRUM Error, Reseat Fuser 150
- Fuser Error, Error 010-351 150
- Fuser Error, Error 010-397 150

G

- guidelines
 - card stock 53
 - envelopes 51
 - labels 52
 - letterhead 50
 - transparencies 50

H

- Hard Drive Full 151

I

- Information Pages menu 130
- Insert <color> 151
- Insert Fuser, Restart Printer 151

Insert Transfer Unit 151
Insert Tray 2 151
installing printer software 58
Invalid Job 151
Invalid User 152

J

Jam at Duplexer 152
Jam at Exit, Open Door A 152
Jam at Reg. Roll, Open Door A 152
Jam at Tray 1 152
Jam at Tray 2 152
Jam at Tray 3 152
jams
 accessing 98
 avoiding 98
 fuser 113
 involving the ADF 119
 involving the duplex unit 116
 involving the multipurpose tray 100
 involving the standard tray (Tray 2) 104
 involving Tray 1 (MPT) 100
 involving Tray 3 109

L

labels
 guidelines 52
letterhead
 guidelines 50
light, job indicator 16
lights, arrow 16
Limit Exceeded 152
linking trays 46
Load Tray <x> 153
loading
 550-sheet tray 44
 standard tray 44
 Tray 1 (MPT) 42
locking
 administrator menus 170
 scanner 163
Login Error 153

M

Magenta - CRUM Error 148
Maintenance menu 144
MCU Firmware Error 153
MCU NVRAM Error 153

memory card
 installing 37
menus
 Address Book menu 131
 Admin Reports menu 146
 Billing Meters 131
 Copy Defaults 122
 diagram of 122
 Fax Default Settings 127
 Fax Settings menu 136
 Information Pages 130
 Maintenance menu 144
 Network Settings menu 134
 Panel Language 147
 Parallel Settings menu 136
 Print Language menu 132
 Scan Defaults 125
 Scan to Email menu 146
 Secure Settings menu 145
 System Settings menu 140
 Tray 1 (MPT) menu 128
 Tray 2 menu 129
 Tray 3 menu 129
 USB Settings menu 136
moving the printer 162, 167
multi-protocol network card
 installing 35
multiple pages on one sheet 67

N

network information, printing 58
Network Scan Error, Connection Timeout 153
Network Scan Error, Directory Not Found 154
Network Scan Error, Email Server Full 154
Network Scan Error, File Name Exists 154
Network Scan Error, Invalid SMB/FTP Server 154
Network Scan Error, Invalid Write Permission 154
Network Scan Error, Server Out of Memory 154
Network Scan Error, SMTP Connection Failed 155
Network Settings menu 134
noise emission levels 196
Non-Genuine Toner Installed 155
notices 194, 195, 196, 197, 198, 199, 200, 201, 202

NV RAM Error 155

O

OCR, editing document text 71
online customer support 173
options
 550-sheet drawer 32
 memory card 37
 multi-protocol network card 35
ordering
 fuser 162
 toner cartridges 161
 transfer belt 162
Out of Memory 155

P

Panel Language menu 147
paper
 capacities 56
 characteristics 48
 letterhead 49
 preprinted forms 49
 recycled 50
 selecting 49
 setting type 46
 storing 53
 unacceptable 49
paper feed troubleshooting
 message remains after jam is cleared 183
paper jams
 avoiding 98
 fuser 113
 involving the ADF 119
 involving the duplex unit 116
 involving the multipurpose tray 100
 involving the standard tray (Tray 2) 104
 involving Tray 1 (MPT) 100
 involving Tray 3 109
paper sizes, supported 54
paper types
 where to load 55
paper weights, supported 56
Parallel Settings menu 136
PCL Error 155
poster
 printing 68
Power Saver
 adjusting 170

print job
 canceling from Mac OS X 61
 canceling from Windows desktop 61
 canceling from Windows taskbar 61
 Print Language menu 132
 print quality
 cleaning the scanner glass 161
 print quality troubleshooting
 blank pages 189
 clipped images 189
 color misregistration 184
 light colored line, white line, or incorrectly colored line 185
 poor transparency quality 188
 print irregularities 187
 print is too dark 187
 print is too light 186
 repeating defects 184
 skewed print 188
 solid color pages 190
 streaked vertical lines 186
 toner rubs off 191
 toner specks 190
 uneven print density 188
 print troubleshooting
 incorrect margins 188
 job takes longer than expected 174
 jobs do not print 174
 multiple-language PDFs do not print 173
 paper curl 190
 paper frequently jams 183
 tray linking does not work 174
 unexpected page breaks occur 175
 printer
 configurations 13
 models 13
 moving 162, 167
 setting up in new location 167
 printer control panel 16
 locking the administrator menus 170
 unlocking the administrator menus 170
 printer messages
 550 Feeder Error 148
 <xxx> Error 148
 Black - CRUM Error 148
 Controller Error 148
 CRUM Error 149
 Cyan - CRUM Error 148
 Disabled Func 149
 Door A Open, Close Door A 149
 Duplexer Error 149
 Email Error, Invalid POP3 Server 149
 Email Error, Invalid SMTP Server 149
 Email Login Error 149
 Email Login Error, POP3 Login Failed 150
 Email Login Error, SMTP Login Failed 150
 Email Size Limit 150
 Fan Motor Error 150
 Fuser CRUM Error, Reseat Fuser 150
 Fuser Error, Error 010-351 150
 Fuser Error, Error 010-397 150
 Hard Drive Full 151
 Insert <color> 151
 Insert Fuser, Restart Printer 151
 Insert Transfer Unit 151
 Insert Tray 2 151
 Invalid Job 151
 Invalid User 152
 Jam at Duplexer 152
 Jam at Exit, Open Door A 152
 Jam at Reg. Roll, Open Door A 152
 Jam at Tray 1 152
 Jam at Tray 2 152
 Jam at Tray 3 152
 Limit Exceeded 152
 Load Tray <x> 153
 Login Error 153
 Magenta - CRUM Error 148
 MCU Firmware Error 153
 MCU NVRAM Error 153
 Network Scan Error, Connection Timeout 153
 Network Scan Error, Directory Not Found 154
 Network Scan Error, Email Server Full 154
 Network Scan Error, File Name Exists 154
 Network Scan Error, Invalid SMB/FTP Server 154
 Network Scan Error, Invalid Write Permission 154
 Network Scan Error, Server Out of Memory 154
 Network Scan Error, SMTP Connection Failed 155
 Non-Genuine Toner Installed 155
 NV RAM Error 155
 Out of Memory 155
 PCL Error 155
 Printer Too Hot 155
 RAM Error 156
 Remove Tape, <color> Cartridge 156
 Replace <color> Print Cartridge 156
 Replace Black 156
 Replace Cyan 156
 Replace Fuser Soon 156
 Replace Magenta 156
 Replace Transfer Unit 156
 Replace Transfer Unit Soon 157
 Replace Yellow 156
 Restart Printer, 118-xxx 157
 Restart Printer: 116-xxx 157
 Scan Error 157
 Scanner Lamp Error 157
 Select Function 159
 SMTP Server Error 159
 Tray <x> is Missing 159
 Wrong Paper Type 159
 Yellow - CRUM Error 148
 printer options troubleshooting
 drawers 183
 option not working 182
 Printer Too Hot 155
 printing
 configuration page 58
 demo page 59
 from Macintosh 58
 from Windows 58
 installing printer software 58
 network information 58
 supply information 58
 Proof Print 60
 printing Proof Print jobs from the printer control panel 60
 Pulse dialing mode 95

R

RAM Error 156

- receiving a fax
 - enabling secure faxes 92
 - printing secure faxes 92
 - setting the fax receive mode 91
- recycled paper
 - using 50
- recycling 200
 - WEEE statement 197
- reducing a copy 64
- registration
 - adjusting the color registration
 - automatically 168
 - adjusting the color registration
 - manually 168
- Remove Tape, <color> Cartridge 156
- Replace <color> Print Cartridge 156
- Replace Black 156
- Replace Cyan 156
- Replace Fuser Soon 156
- Replace Magenta 156
- Replace Transfer Unit 156
- Replace Transfer Unit Soon 157
- Replace Yellow 156
- reports
 - printing fax reports 93
- reports, fax activity
 - adjusting settings 92
- Restart Printer, 118-xxx 157
- Restart Printer: 116-xxx 157
- RJ11 adapter, using 19

S

- safety information 11
- scan compression
 - adjusting 82
- scan contrast
 - adjusting 82
- Scan Defaults menu 125
- scan destination
 - changing 83
- Scan Error 157
- scan e-mail size
 - changing 83
- scan job
 - canceling 73
- scan resolution
 - adjusting 82
- scan TIFF format
 - changing 83
- Scan to Email menu 146

- scan troubleshooting
 - cannot scan from a
 - computer 179
 - partial document or photo
 - scans 179
 - scan was not successful 177
 - scanner does not respond 177
 - scanner unit does not close 175
 - scanning takes too long or freezes
 - the computer 178
- scanner
 - locking 163
- scanner glass
 - cleaning 161
- Scanner Lamp Error 157
- scanning
 - adjusting auto exposure 81
 - adjusting resolution 82
 - adjusting the color saturation of
 - the scanned image 82
 - adjusting the image compression
 - of the scanned image 82
 - canceling a scan 73
 - changing the maximum e-mail
 - size of the scanned image 83
 - changing the scan destination 83
 - changing the TIFF format for a
 - scanned image 83
 - creating a computer address using
 - Address Book Editor 74
 - creating a computer address using
 - the Embedded Web Server 75
 - creating an e-mail address using
 - Address Book Editor 79
 - creating an FTP address 78
 - creating an FTP address using
 - Address Book Editor 77
 - customizing settings using the
 - computer 71
 - customizing the scan settings
 - when scanning to a
 - computer 85
 - when scanning to e-mail 85
 - directly from an application 71
 - editing text 71
 - from magazines and
 - newspapers 73
 - limiting access to fax and scan
 - operations 94
 - making a scanned image lighter or
 - darker 84

- scanning to a computer over a
 - network 77
- scanning to an e-mail address 81
- scanning to an FTP address 78
- selecting the size of the document
 - being scanned 83
- selecting the type of document
 - being scanned 84
- setting the color mode 84
- setting the scanned image file
 - type 85
- setting up, Macintosh 75
- sharing a folder in Windows 73
- using the computer 70
- using the printer control
 - panel 77
- scanning over a network
 - setting up, using Macintosh 75
- scanning to a computer
 - customizing the scan settings
 - when 85
- scanning to e-mail
 - setting up the SMTP server 79
- scanning to e-mail
 - creating an e-mail address using
 - the Embedded Web Server 80
 - creating an e-mail group using the
 - Embedded Web Server 80
 - customizing the scan settings
 - when 85
- Secure Print 59
 - printing Secure Print jobs from the
 - printer control panel 59
- Secure Settings menu 145
- Select Function 159
- setting
 - Auto reset 171
 - paper type 46
- sharing a folder in Windows 73
- sharpness
 - adjusting 65
- sharpness of a scanned image
 - adjusting 82
- SMTP Server Error 159
- SMTP server, setting up 79
- standard tray
 - loading 44
- storing
 - paper 53
 - supplies 160
- supplies
 - storing 160

- supplies, ordering
 - fuser 162
 - toner cartridges 161
 - transfer belt 162
- supply information, printing 58
- System Settings menu 140

T

- telecommunication notices 197, 198, 199, 200
- toner cartridges
 - ordering 161
- Touch Tone dialing mode 95
- transfer belt
 - ordering 162
- transparencies
 - guidelines 50
- Tray 1 (MPT)
 - loading 42
- Tray <x> is Missing 159
- tray linking 46
- Tray Settings menu
 - Tray 1 (MPT) 128
 - Tray 2 129
 - Tray 3 129
- troubleshooting
 - checking an unresponsive printer 173
 - contacting Customer Support 192
 - FAQ about color printing 191
 - online customer support 173
- troubleshooting, copy
 - copier does not respond 175
 - partial document or photo copies 177
 - poor copy quality 175
 - poor scanned image quality 178
 - scanner unit does not close 175
- troubleshooting, display
 - display is blank 173
- troubleshooting, fax
 - can receive but not send faxes 181
 - can send but not receive faxes 181
 - cannot send or receive a fax 179
 - received fax has poor print quality 182
- troubleshooting, paper feed
 - message remains after jam is cleared 183

- troubleshooting, print
 - incorrect margins 188
 - job takes longer than expected 174
 - jobs do not print 174
 - multiple-language PDFs do not print 173
 - paper curl 190
 - paper frequently jams 183
 - tray linking does not work 174
 - unexpected page breaks occur 175
- troubleshooting, print quality
 - blank pages 189
 - clipped images 189
 - color misregistration 184
 - light colored line, white line, or incorrectly colored line 185
 - poor transparency quality 188
 - print irregularities 187
 - print is too dark 187
 - print is too light 186
 - repeating defects 184
 - skewed print 188
 - solid color pages 190
 - streaked vertical lines 186
 - toner rubs off 191
 - toner specks 190
 - uneven print density 188
- troubleshooting, printer options
 - drawers 183
 - option not working 182
- troubleshooting, scan
 - cannot scan from a computer 179
 - partial document or photo scans 179
 - scan was not successful 177
 - scanner does not respond 177
 - scanner unit does not close 175
 - scanning takes too long or freezes the computer 178

U

- unlocking
 - administrator menus 170
- USB port 40
- USB Settings menu 136
- using RJ11 adapter 19

V

- volume settings 95

W

- Wrong Paper Type 159

Y

- Yellow - CRUM Error 148

Free Manuals Download Website

<http://myh66.com>

<http://usermanuals.us>

<http://www.somanuals.com>

<http://www.4manuals.cc>

<http://www.manual-lib.com>

<http://www.404manual.com>

<http://www.luxmanual.com>

<http://aubethermostatmanual.com>

Golf course search by state

<http://golfingnear.com>

Email search by domain

<http://emailbydomain.com>

Auto manuals search

<http://auto.somanuals.com>

TV manuals search

<http://tv.somanuals.com>