



**C746n, C746dn, C746dtn, C748e,
C748de, C748dte, X746de, X748de,
X748dte**

Technical Reference

December 2012

www.lexmark.com

Edition notice

December 2012

The following paragraph does not apply to any country where such provisions are inconsistent with local law: LEXMARK INTERNATIONAL, INC., PROVIDES THIS PUBLICATION "AS IS" WITHOUT WARRANTY OF ANY KIND, EITHER EXPRESS OR IMPLIED, INCLUDING, BUT NOT LIMITED TO, THE IMPLIED WARRANTIES OF MERCHANTABILITY OR FITNESS FOR A PARTICULAR PURPOSE. Some states do not allow disclaimer of express or implied warranties in certain transactions; therefore, this statement may not apply to you.

This publication could include technical inaccuracies or typographical errors. Changes are periodically made to the information herein; these changes will be incorporated in later editions. Improvements or changes in the products or the programs described may be made at any time.

References in this publication to products, programs, or services do not imply that the manufacturer intends to make these available in all countries in which it operates. Any reference to a product, program, or service is not intended to state or imply that only that product, program, or service may be used. Any functionally equivalent product, program, or service that does not infringe any existing intellectual property right may be used instead. Evaluation and verification of operation in conjunction with other products, programs, or services, except those expressly designated by the manufacturer, are the user's responsibility.

For Lexmark technical support, visit <http://support.lexmark.com>.

For information on supplies and downloads, visit www.lexmark.com.

If you don't have access to the Internet, you can contact Lexmark by mail:

Lexmark International, Inc.
Bldg 004-2/CSC
740 New Circle Road NW
Lexington, KY 40550
USA

© 2012 Lexmark International, Inc.

All rights reserved.

Trademarks

Lexmark and Lexmark with diamond design are trademarks of Lexmark International, Inc., registered in the United States and/or other countries.

Mac and the Mac logo are trademarks of Apple Inc., registered in the U.S. and other countries.

PCL® is a registered trademark of the Hewlett-Packard Company.

All other trademarks are the property of their respective owners.

GOVERNMENT END USERS

The Software Program and any related documentation are "Commercial Items," as that term is defined in 48 C.F.R. 2.101, "Computer Software" and "Commercial Computer Software Documentation," as such terms are used in 48 C.F.R. 12.212 or 48 C.F.R. 227.7202, as applicable. Consistent with 48 C.F.R. 12.212 or 48 C.F.R. 227.7202-1 through 227.7207-4, as applicable, the Commercial Computer Software and Commercial Software Documentation are licensed to the U.S. Government end users (a) only as Commercial Items and (b) with only those rights as are granted to all other end users pursuant to the terms and conditions herein.

Contents

- Edition notice.....2**
- Introduction.....5**
 - Understanding letters after model numbers.....5
- Learning about the printer.....7**
 - Finding information about the printer.....7
- Printer Control Language (PCL) page formatting.....9**
 - Printable areas.....9
 - Supported paper and envelope dimensions.....10
- Printer Job Language (PJM).....12**
 - PJM commands information.....12
- PostScript (PS) emulation.....13**
 - Supported paper sizes.....13
 - PostScript paper tray support.....14
 - PostScript envelope size support.....15
 - PostScript envelope tray support.....16
- Printer specifications.....18**
 - Airflow requirement.....18
 - Noise emission levels.....18
 - Electrical specifications.....19
 - Power requirements.....20
 - Physical specifications.....20
 - Clearance requirements.....21
 - Environmental conditions.....21
 - Altitude and atmospheric pressure specifications.....22
- Appendix A: PCL support.....23**
 - PCL emulation commands.....23
 - GL/2 commands.....29

| | |
|--|------------|
| Appendix B: PJI support..... | 32 |
| Common variables for both printer languages..... | 32 |
| Lexmark-unique PJI variables for both printer languages..... | 34 |
| Common variables for PCL emulation..... | 44 |
| Lexmark-unique variables for PCL emulation..... | 44 |
| Common variables for PostScript emulation..... | 45 |
| Lexmark-unique variables for PostScript emulation..... | 45 |
| Lexmark-unique LRESOURCE variables..... | 45 |
| Status Readback commands..... | 45 |
| USTATUS unsolicited status variables..... | 46 |
| PJI messages for auto-continuable conditions..... | 46 |
| PJI messages for attendance conditions..... | 53 |
| PJI messages for paper handling..... | 70 |
| PJI messages for paper jams..... | 74 |
| Service errors..... | 80 |
| Device attendance messages..... | 80 |
| Lexmark-unique PJI commands..... | 80 |
| Appendix C: PostScript support..... | 83 |
| Supplemental operators..... | 83 |
| Page device parameters..... | 86 |
| User interpreter parameters..... | 90 |
| System interpreter parameters..... | 91 |
| Devices supported..... | 94 |
| Device parameters..... | 96 |
| PostScript message keys commands..... | 105 |
| Index..... | 106 |

Introduction

Overview

This edition of the *Technical Reference* contains information about the following printers or multifunction printers (MFPs):

- C746n
- C746dn
- C746dtn
- C748e
- C748de
- C748dte
- X746de
- X748de
- X748dte

Understanding letters after model numbers

Some Lexmark™ printers and MFP options may have one or more letters after the model number to indicate features.

| Acronym | Meaning |
|-----------|--|
| d | duplex ¹ |
| de | duplex and e-Task (electronic task) touch-screen interface |
| dfe | duplex, finisher/stapler, and e-Task touch-screen interface |
| dhe | duplex, high-capacity drawer, and e-Task touch-screen interface |
| dhn | duplex, high-capacity drawer, and network |
| dme | duplex, mailbox, and e-Task touch-screen interface |
| dn | duplex and network |
| dnf | duplex, network, and finisher/stapler |
| dnw or dw | duplex, network, and wireless |
| dt | duplex and additional tray ² |
| dte | duplex, additional tray ² , and e-Task touch-screen interface |
| dtfe | duplex, additional tray ² , finisher/stapler, and e-Task touch-screen interface |
| dtme | duplex, additional tray ² , mailbox, and e-Task touch-screen interface |
| dtn | duplex, additional tray ² , and network |
| dtpe | duplex, additional tray ² , finisher with hole punch, and e-Task touch-screen interface |
| dttn | duplex, tandem tray module, and network |

¹ Duplex (two-sided) printing using an optional duplex unit or an internal duplex unit based on the product

² The additional tray may be part of a drawer.


| Acronym | Meaning |
|---------|--|
| dtse | duplex, additional tray ² , stacker, and e-Task touch-screen interface |
| dtwe | duplex, additional tray ² , wireless, and e-Task touch-screen interface |
| e | e-Task touch-screen interface |
| hdn | hard disk, duplex, and network |
| n | network |
| nl | network light model |
| ni | network and ImageQuick |
| tn | network and additional tray ² |

¹ Duplex (two-sided) printing using an optional duplex unit or an internal duplex unit based on the product

² The additional tray may be part of a drawer.

Learning about the printer

Finding information about the printer

| What are you looking for? | Find it here |
|---|--|
| Initial setup instructions: <ul style="list-style-type: none"> • Connecting the printer • Installing the printer software | Setup documentation—The setup documentation came with the printer and is also available at http://support.lexmark.com . |
| Additional setup and instructions for using the printer: <ul style="list-style-type: none"> • Selecting and storing paper and specialty media • Loading paper • Configuring printer settings • Viewing and printing documents and photos • Setting up and using the printer software • Configuring the printer on a network • Caring for and maintaining the printer • Troubleshooting and solving problems | <i>User's Guide</i> and <i>Quick Reference Guide</i> —The guides may be available on the <i>Software and Documentation CD</i> . For more information, visit http://support.lexmark.com . |
| Instructions for: <ul style="list-style-type: none"> • Connecting the printer to an Ethernet network • Troubleshooting printer connection problems | <i>Networking Guide</i> —Open the <i>Software and Documentation CD</i> , and then navigate to: Documentation > User's Guide and other publications > Networking Guide |
| Help using the printer software | Windows or Mac Help—Open a printer software program or application, and then click Help . Click  to view context-sensitive information. Notes: <ul style="list-style-type: none"> • Help is automatically installed with the printer software. • The printer software is located in the printer program folder or on the desktop, depending on your operating system. |

| What are you looking for? | Find it here |
|--|---|
| <p>The latest supplemental information, updates, and customer support:</p> <ul style="list-style-type: none"> • Documentation • Driver downloads • Live chat support • E-mail support • Voice support | <p>Lexmark Support Web site— http://support.lexmark.com</p> <p>Note: Select your country or region, and then select your product to view the appropriate support site.</p> <p>Support telephone numbers and hours of operation for your country or region can be found on the Support Web site or on the printed warranty that came with your printer.</p> <p>Record the following information (located on the store receipt and at the back of the printer), and have it ready when you contact customer support so that they may serve you faster:</p> <ul style="list-style-type: none"> • Machine Type number • Serial number • Date purchased • Store where purchased |
| <p>Warranty information</p> | <p>Warranty information varies by country or region:</p> <ul style="list-style-type: none"> • In the U.S.—See the Statement of Limited Warranty included with this printer, or at http://support.lexmark.com. • In other countries and regions—See the printed warranty that came with your printer. |

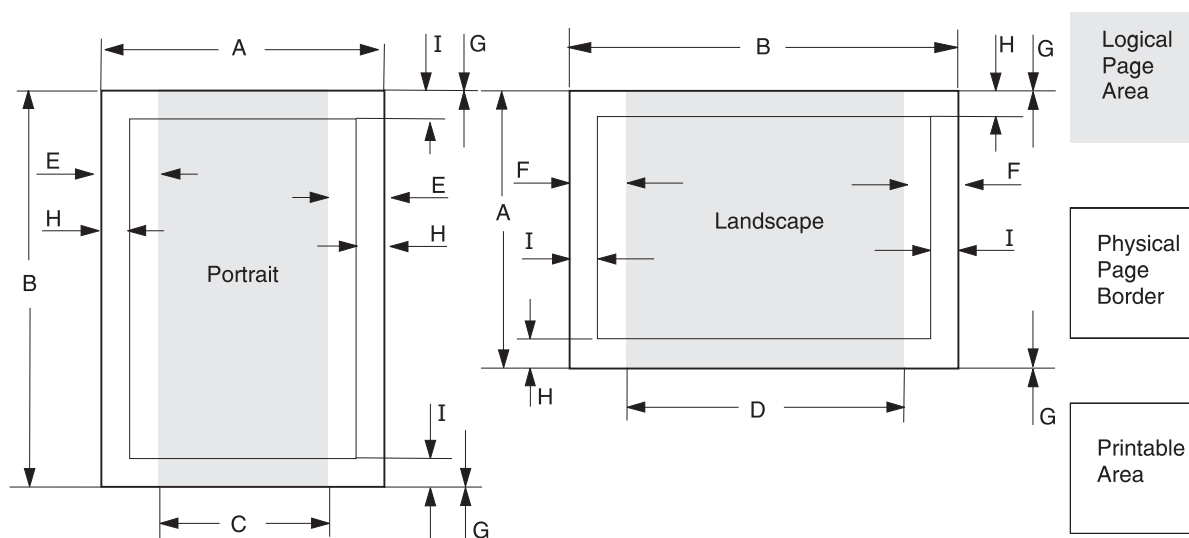
Printer Control Language (PCL) page formatting

For more information on PCL, see the *Printer Languages and Interfaces Technical Reference*. It contains a complete listing with descriptions of PCL commands.

To determine which PCL commands your printer supports, see “Appendix A: PCL support” on page 23.

Printable areas

The printable areas and logical pages for PCL emulation (both portrait and landscape orientation) are illustrated below. See the legend that follows for definitions of areas **A** through **I**.



| Legend: | |
|----------|--|
| A | Portrait physical page width and landscape physical page length |
| B | Portrait physical page length and landscape physical page width |
| C | Portrait logical page width |
| D | Landscape logical page width |
| E | Distance between the side edge of the physical page and the logical page in portrait |
| F | Distance between the side edge of the physical page and the logical page in landscape |
| G | Distance between the top and bottom edge of the physical page and logical page |
| H | Distance between the left and right edge of the physical page and the printable area in portrait, or distance between the top and bottom edge of the physical page and printable area in landscape |
| I | Distance between the top and bottom edge of the physical page and the printable area in portrait, or distance between the left and right edge of the physical page and the printable area in landscape |

Note: The tables that follow in this chapter list the page sizes and dimensions of each area labeled on the preceding diagram for all paper and envelope sizes your printer supports.

Supported paper and envelope dimensions

The following table lists the page sizes and print area dimensions for all supported paper and envelope sizes. For more information about the printable areas and logical pages for PCL emulation, see “Printable areas” on page 9.

| Selection | | Paper/envelope dimensions | | Dimensions by area (pels) ¹ | | | | | | | | |
|-----------------------------------|-----------------------------|---------------------------|-------------|--|------|------|------|-----|-----|---|-----|-----|
| Page size parameters ² | Name | mm | inches | A | B | C | D | E | F | G | H | I |
| Paper | | | | | | | | | | | | |
| 2, 602 | Letter | 216 x 279 | 8.5 x 11 | 5100 | 6600 | 4800 | 6360 | 150 | 120 | 0 | 100 | 100 |
| 3, 603 | Legal | 216 x 356 | 8.5 x 14 | 5100 | 8400 | 4800 | 8160 | 150 | 120 | 0 | 100 | 100 |
| 12, 45, 612 | JIS B5 | 182 x 257 | 7.2 x 10.1 | 4300 | 6070 | 4000 | 5830 | 150 | 120 | 0 | 100 | 100 |
| 26, 626 | A4 (198 mm) ³ | 210 x 297 | 8.3 x 11.7 | 4960 | 7014 | 4676 | 6778 | 142 | 118 | 0 | 80 | 100 |
| 26, 626 | A4 (203 mm) ³ | 210 x 297 | 8.3 x 11.7 | 4960 | 7014 | 4800 | 6778 | 80 | 118 | 0 | 80 | 100 |
| 1, 601 | Executive | 184.2 x 266.7 | 7.25 x 10.5 | 4350 | 6300 | 4050 | 6060 | 150 | 120 | 0 | 100 | 100 |
| 13, 613 | A5 | 148 x 210 | 5.83 x 8.27 | 3496 | 4960 | 3196 | 4720 | 142 | 118 | 0 | 100 | 100 |
| 300 | Oficio (México) | 215.9 x 340.4 | 8.5 x 13.4 | 5100 | 8040 | 4800 | 7800 | 150 | 120 | 0 | 100 | 100 |
| 4 or 10 | Folio | 216 x 330 | 8.5 x 13 | 5100 | 7800 | 4800 | 7560 | 150 | 120 | 0 | 100 | 100 |
| 15 | Statement | 139.7 x 215.9 | 5.5 x 8.5 | 3300 | 5100 | 3000 | 4860 | 150 | 120 | 0 | 100 | 100 |
| 24 | A6 | 105 x 148 | 4.13 x 5.83 | 2480 | 3496 | 2196 | 3260 | 142 | 118 | 0 | 100 | 100 |
| 101 | Universal | 216 x 1219 | 8.5 x 48 | 5100 | 8400 | 4800 | 8160 | 150 | 120 | 0 | 100 | 100 |
| Envelope | | | | | | | | | | | | |
| 80 | 7 3/4 Envelope | 98.4 x 190.5 | 3.875 x 7.5 | 2324 | 4500 | 2024 | 4260 | 150 | 120 | 0 | 100 | 100 |

¹ Pel dimensions are for 600 dpi.

² Page Size Parameters are explained in the Page Control table in the PCL chapter of the *Printer Language and Interfaces Technical Reference*.

³ The width of the logical page for A4 paper can be changed from the printer control panel or your application.

⁴ For the Universal paper size, the area dimensions are listed in pel ranges.

⁵ Paper ID 99 will be supported for backward compatibility with other Lexmark printers. Paper ID 99 has the same logical paper size as ID 100 (compatible with HP LaserJet 5Si/5SiMx) but is 8 pels wider than the Lexmark 4039.

⁶ To support two-sided printing, the Universal paper size length must be between 5.83 inches (148 mm) and 17 inches (431.8 mm); and the width must be between 8.27 inches (210 mm) and 11.69 inches (297 mm).

Note: The explanation of the printable area assumes that the Print Area menu item is set to **Normal**. For more information, see “Print Area Menu Item” in the PCL chapter of the *Printer Language and Interfaces Technical Reference*.

| Selection | | Paper/envelope dimensions | | Dimensions by area (pels) ¹ | | | | | | | | |
|-----------------------------------|-------------|---------------------------|---------------|--|------|------|------|-----|-----|---|-----|-----|
| Page size parameters ² | Name | mm | inches | A | B | C | D | E | F | G | H | I |
| 89 | 9 Envelope | 98.4 x 225.4 | 3.875 x 8.875 | 2324 | 5324 | 2024 | 5084 | 150 | 120 | 0 | 100 | 100 |
| 81 | 10 Envelope | 104.8 x 241.3 | 4.125 x 9.5 | 2474 | 5700 | 2174 | 5460 | 150 | 120 | 0 | 100 | 100 |
| 90 | DL Envelope | 220 x 110 | 8.66 x 4.33 | 2598 | 5196 | 2314 | 4960 | 142 | 118 | 0 | 100 | 100 |
| 91 | C5 Envelope | 229 x 162 | 9.02 x 6.38 | 3826 | 5408 | 3542 | 5172 | 142 | 118 | 0 | 100 | 100 |
| 99 ⁵ , 100 | B5 envelope | 176.0 x 250.0 | 6.93 x 9.84 | 4156 | 5904 | 3872 | 5668 | 142 | 118 | 0 | 100 | 100 |

¹ Pel dimensions are for 600 dpi.

² Page Size Parameters are explained in the Page Control table in the PCL chapter of the *Printer Language and Interfaces Technical Reference*.

³ The width of the logical page for A4 paper can be changed from the printer control panel or your application.

⁴ For the Universal paper size, the area dimensions are listed in pel ranges.

⁵ Paper ID 99 will be supported for backward compatibility with other Lexmark printers. Paper ID 99 has the same logical paper size as ID 100 (compatible with HP LaserJet 5Si/5SiMx) but is 8 pels wider than the Lexmark 4039.

⁶ To support two-sided printing, the Universal paper size length must be between 5.83 inches (148 mm) and 17 inches (431.8 mm); and the width must be between 8.27 inches (210 mm) and 11.69 inches (297 mm).

Note: The explanation of the printable area assumes that the Print Area menu item is set to **Normal**. For more information, see "Print Area Menu Item" in the PCL chapter of the *Printer Language and Interfaces Technical Reference*.

Printer Job Language (PJI)

PJI commands information

Your printer supports complete PJI commands, including certain commands that cause the printer to enter PCL emulation, PostScript emulation, and Personal Printer Data Stream (PPDS).

For a complete listing with descriptions of PJI commands, see the *Printer Languages and Interfaces Technical Reference*.

To determine which commands your printer supports, see “Appendix B: PJI support” on page 32.

PostScript (PS) emulation

Your printer supports complete PostScript emulation supplemental operators. For full, detailed descriptions of these operators, see the PostScript emulation chapter of the *Printer Languages and Interfaces Technical Reference*.

To determine which commands your printer supports, see “Appendix C: PostScript support” on page 83.

Supported paper sizes

| ✓ = Supported X = Not supported Paper sizes | | | | | Printer model | |
|---|---------------|---------------|---------------|--|---------------|------------|
| Size | Literal name | Size (mm) | Size (inches) | Size (points) | C746, C748 | X746, X748 |
| 11 x 17 | 11x17 | 279.4 x 431.8 | 11 x 17 | 792 x 1224 | X | X |
| 17 x 11 | ledger | 431.8 x 279.4 | 17 x 11 | 1224 x 792 | X | X |
| A3 | a3 | 297 x 420 | 11.7 x 16.54 | 842 x 1191 | X | X |
| A4 | a4 | 210.0 x 297.0 | 8.3 x 11.7 | 595 x 842 | ✓ | ✓ |
| A5 | a5 | 148.0 x 210.0 | 5.83 x 8.27 | 419 x 595 | ✓ | ✓ |
| A6 | a6 | 105.0 x 148.0 | 4.13 x 5.83 | 297 x 419 | ✓ | ✓ |
| Executive | executivepage | 184.2 x 266.7 | 7.25 x 10.5 | 522 x 756 | ✓ | ✓ |
| Folio | folio | 215.9 x 330.2 | 8.5 x 13.0 | 612 x 936 | ✓ | ✓ |
| JIS B4 | b4* | 257 x 364 | 10.12 x 14.33 | 729 x 1032 | X | X |
| JIS B5 | b5* | 182.0 x 257.0 | 7.2 x 10.1 | 516 x 729 | ✓ | ✓ |
| Legal | legal | 215.9 x 355.6 | 8.5 x 14.0 | 612 x 1008 | ✓ | ✓ |
| Letter | letter | 215.9 x 279.4 | 8.5 x 11.0 | 612 x 792 | ✓ | ✓ |
| Oficio | oficio | 215.9 x 340.4 | 8.5 x 13.4 | 612 x 965 (Lexmark-unique size) 612 x 972 (official PostScript size) | ✓ | ✓ |
| Statement | statement | 139.7 x 215.9 | 5.5 x 8.5 | 396 x 612 | ✓ | ✓ |
| Universal | | 216 x 1219 | 8.5 x 48 | 841.68 x 3456 | ✓ | ✓ |

* This is a Japanese Industry Standard (JIS) paper size. The same named designation is used by the JIS and International Organization for Standardization (ISO) for different paper sizes.

PostScript paper tray support

When the printer receives one of the operators listed in “Tray selected with tray operators” on page 14, it performs the actions listed in this section. This paper tray selection process ends when a suitable paper source is chosen and paper is fed from this tray.

- The printer checks the value of **manualfeed** in **statusdict** and the ManualFeed page device parameter. If either one is true, then the printer sends a message to load the requested size in the manual feeder or multipurpose feeder.
- The PageSize Policy is set to **0** by means of **setpagedevice**.
- The printer checks the paper size loaded in the current active source to determine if it matches the requested size. If the sizes match, then the paper is fed from the active source.

Note: The current active tray is the last source that was selected from the printer control panel or by the printer language.

- If the requested size and the size loaded in the active source do not match, then the sources are searched in the order defined by the Priority array in the InputAttributes dictionary in the pagedevice dictionary.
- If the requested media size is not found by the previous search, then the following search order is used:
 - Tray 1
 - Tray 2
 - Tray 3
 - Multipurpose feeder
 - Tray 4
 - Tray 5
- If the requested size cannot be located in any automatic source, then a **configurationerror** is issued and the job is flushed.

For printers that support automatic two-sided printing (duplexing):

- Automatic two-sided printing is not supported for custom-size paper or for envelopes in the multipurpose feeder. Automatic two-sided printing is supported from the multipurpose feeder for all other papers.
- If the paper source is changed before the back side of a two-sided page prints, then a blank back page prints, the paper source changes, and the information for the back side of the page is printed on the front side of a page sent from the new paper source.

When these operators are used, it is equivalent to executing the following PostScript emulation sequence:

```
<< /PageSize [x y]/ImagingBBox null /Policies << /PageSize 0>> >>
setpagedevice
```

where **x** **y** are the PageSize in points.

Tray selected with tray operators

| ✓ = Supported X = Not supported | | Printer model | |
|------------------------------------|---|---------------|------------|
| | | C746, C748 | X746, X748 |
| Operator | Tray selected (corresponding image size is set) | | |
| 11x17tray | Tray with 11 x 17-size paper | X | X |
| a3tray | Tray with A3-size paper | X | X |

| ✓ = Supported X = Not supported | | Printer model | |
|------------------------------------|---|---------------|------------|
| Operator | Tray selected (corresponding image size is set) | C746, C748 | X746, X748 |
| a4tray | Tray with A4-size paper | ✓ | ✓ |
| a5tray | Tray with A5-size paper | ✓ | ✓ |
| a6tray | Tray with A6-size paper | ✓ | ✓ |
| b4tray | Tray with B4-size paper | ✓ | ✓ |
| b5tray | Tray with B5-size paper | ✓ | ✓ |
| customtray | Tray with custom-size paper | X | X |
| executivetray | Tray with executive-size paper | ✓ | ✓ |
| foliotray | Tray with folio-size paper | ✓ | ✓ |
| ledgertray | Tray with ledger-size paper | ✓ | ✓ |
| legaltray | Tray with legal-size paper | ✓ | ✓ |
| lettertray | Tray with letter-size paper | ✓ | ✓ |
| oficiotray | Tray with oficio-size paper | ✓ | ✓ |
| statementtray | Tray with statement-size paper | ✓ | ✓ |

PostScript envelope size support

The literal names in “Envelope sizes supported” on page 15 are also supported as operators in **userdict**. These operators change the image size, but do not change the active paper source. Therefore, when these operators are used, part of the image may be clipped.

When these literal names are used as operators, it is equivalent to executing the following PostScript emulation sequence. The following example uses a 3.875 x 7.5 envelope.

```
<</Policies <</PageSize 7>> /PageSize [279 540]>> >>setpagedevice
```

Envelope sizes supported

| ✓ = Supported X = Not supported | | | | | Printer model | |
|------------------------------------|---------------------|--------------|---------------|---------------|---------------|------------|
| Envelope sizes | | | | | | |
| Size name | Literal name | Size (mm) | Size (inches) | Size (points) | C746, C748 | X746, X748 |
| 7 3/4 | 3.875x7.5envelope | 98.4 x 190.5 | 3.875 x 7.5 | 279 x 540 | ✓ | ✓ |
| Commercial 9 | 3.875x8.875envelope | 98.4 x 225.4 | 3.875 x 8.875 | 279 x 639 | ✓ | ✓ |

| ✓ = Supported X = Not supported Envelope sizes | | | | | Printer model | |
|--|-------------------|-----------------|---------------|---------------|---------------|------------|
| Size name | Literal name | Size (mm) | Size (inches) | Size (points) | C746, C748 | X746, X748 |
| Commercial 10 | 4.125x9.5envelope | 104.8 x 241.3 | 4.125 x 9.5 | 297 x 684 | ✓ | ✓ |
| International B5 | 176x250envelope | 176 x 250 | 6.93 x 9.84 | 499 x 708 | ✓ | ✓ |
| International C5 | 162x229envelope | 162 x 229 | 6.38 x 9.01 | 459 x 649 | ✓ | ✓ |
| International DL | 110x220envelope | 110 x 220 | 4.33 x 8.66 | 312 x 624 | ✓ | ✓ |
| Other envelope | otherenvelope | 296.93 x 427.48 | 11.69 x 16.83 | 842 x 1212 | ✓ | ✓ |

Literal names supported

| ✓ = Supported X = Not Supported Literal names | | Printer model | |
|---|-------------------------|---------------|------------|
| Literal name | Compatible literal name | C746, C748 | X746, X748 |
| b5envelope | 176x250envelope | X | X |
| c5envelope | 162x229envelope | ✓ | ✓ |
| com10envelope | 4.125x9.5envelope | ✓ | ✓ |
| dlenvelope | 110x220envelope | ✓ | ✓ |
| monarcenvelope | 3.875x7.5envelope | ✓ | ✓ |

PostScript envelope tray support

If **manualfeed** in **statusdict** and the ManualFeed page device parameter are false when the printer receives one of the envelopetray operators listed in “Envelopetray operator selections” on page 17, then the following occurs:

- The printer sets the PageSize Policy to **0**.
- The printer checks the active source to see if it matches the requested envelope size. If the sizes match, then the envelope is fed from the active source.

Note: The active source is the last source selected from the printer control panel or data stream.

- If the requested size and the size loaded in the active source do not match, then the sources are searched in the order defined by the Priority array in the InputAttributes dictionary in the pagedevice dictionary.
- If the requested media size is not found by the previous search, then the following search order is used:
 - Envelope feeder
 - Multipurpose feeder

- If the requested size and type are not available from any automatic source, then you are prompted to load the requested envelope size and type in the manual feed source.
- If the size is still not available, then a **configurationerror** is issued, and the print job is flushed.

If manualfeed or ManualFeed is true, then the printer prompts you to load the requested size manually. If no manual feed exists on the printer, then a **rangecheck** error message is issued.

The envelope tray the printer selects when it receives an **envelopetray** operator is listed in “Envelopetray operator selections” on page 17. These operators are equivalent to executing the following PostScript emulation sequence:

```
<</PageSize [x y] /ImagingBBox null /Policies<</PageSize 0>> >>
setpagedevice
```

where **x** **y** are the PageSize in points.

Envelopetray operator selections

| ✓ = Supported X = Not supported Tray operators | | Printer model | |
|--|---|---------------|------------|
| | | C746, C748 | X746, X748 |
| Operator | Tray selected (corresponding image size is set) | | |
| 110x220envelopetray | Tray with 110 x 220-size envelopes | ✓ | ✓ |
| dlenvelopetray | Tray with 110 x 220-size envelopes | ✓ | ✓ |
| 162x229envelopetray | Tray with 162 x 229-size envelopes | ✓ | ✓ |
| c5envelopetray | Tray with 162 x 229-size envelopes | ✓ | ✓ |
| 176x250envelopetray | Tray with 176 x 250-size envelopes | ✓ | ✓ |
| b5envelopetray | Tray with 176 x 250-size envelopes | ✓ | ✓ |
| 3.875x7.5envelopetray | Tray with 3.875 x 7.5-size envelopes | ✓ | ✓ |
| monarcenvelopetray | Tray with 3.875 x 7.5-size envelopes | ✓ | ✓ |
| 3.875x8.875envelopetray | Tray with 3.875 x 8.875-size envelopes | ✓ | ✓ |
| 4.125x9.5envelopetray | Tray with 4.125 x 9.5-size envelopes | ✓ | ✓ |
| com10envelopetray | Tray with 4.125 x 9.5-size envelopes | ✓ | ✓ |
| otherenvelopetray | Tray with other size envelopes | ✓ | ✓ |

Printer specifications

Airflow requirement

The room should meet ASHRAE 62—1989 standards.

Noise emission levels

The following measurements were made in accordance with ISO 7779 and reported in conformance with ISO 9296.

| Status | 1-meter average sound pressure, dBA | | | |
|-------------------------------------|-------------------------------------|----------------|------|------|
| | C746 | C748 | X746 | X748 |
| ADF color copy | Not applicable | Not applicable | 58 | 58 |
| ADF color scan | Not applicable | Not applicable | 54 | 54 |
| ADF mono copy | Not applicable | Not applicable | 59 | 57 |
| ADF mono scan | Not applicable | Not applicable | 54 | 54 |
| Idle/ready | 32 | 32 | 34 | 34 |
| Printing (duplex color) | 55 | 55 | 57 | 57 |
| Printing (duplex mono) | 54 | 53 | 58 | 56 |
| Printing (simplex color) | 54 | 55 | 58 | 57 |
| Printing (simplex mono) | 53 | 54 | 59 | 56 |
| Quiet mode printing (simplex color) | 48 | 48 | 50 | 49 |
| Quiet mode printing (simplex mono) | 48 | 47 | 49 | 49 |
| Quiet mode printing (duplex color) | Not applicable | Not applicable | 50 | 50 |
| Quiet mode printing (duplex mono) | Not applicable | Not applicable | 50 | 50 |

Note: Measurements apply to 300-dpi, 600-dpi, and 1200-IQ printing.

| Status | Declared sound power level, bels | | | |
|----------------|----------------------------------|----------------|------|------|
| | C746 | C748 | X746 | X748 |
| ADF color copy | Not applicable | Not applicable | 7.2 | 7.2 |
| ADF color scan | Not applicable | Not applicable | 7.2 | 7.4 |

Note: Measurements apply to 300-dpi, 600-dpi, and 1200-IQ printing.

| Status | Declared sound power level, bels | | | |
|-------------------------------------|----------------------------------|----------------|------|------|
| | C746 | C748 | X746 | X748 |
| ADF mono copy | Not applicable | Not applicable | 7.4 | 7.5 |
| ADF mono scan | Not applicable | Not applicable | 7.2 | 7.4 |
| Idle/ready | 4.8 | 4.8 | 5.0 | 4.9 |
| Printing (duplex color) | 6.9 | 6.9 | 7.2 | 7.1 |
| Printing (duplex mono) | 6.9 | 6.9 | 7.2 | 7.2 |
| Printing (simplex color) | 6.8 | 6.9 | 7.1 | 7.1 |
| Printing (simplex mono) | 6.8 | 6.8 | 7.1 | 7.3 |
| Quiet mode printing (simplex color) | 6.3 | 6.3 | 6.5 | 6.4 |
| Quiet mode printing (simplex mono) | 6.3 | 6.3 | 6.5 | 6.4 |
| Quiet mode printing (duplex color) | Not applicable | Not applicable | 6.5 | 6.4 |
| Quiet mode printing (duplex mono) | Not applicable | Not applicable | 6.5 | 6.4 |

Note: Measurements apply to 300-dpi, 600-dpi, and 1200-IQ printing.

Electrical specifications

| Printer model | Electrical specification |
|------------------------------------|--|
| C746 SFP low-voltage models | 100–110 V at 50–60Hz, nominal 90–121 V, extreme |
| C748 SFP low-voltage models | 110–127 V at 50–60Hz, nominal 99–139.7 V, extreme |
| C746, C748 SFP high-voltage models | 220–240 V at 50–60Hz, nominal 198–259 V, extreme |
| X746, X748 MFP low-voltage models | 100–127 V at 50–60Hz, nominal 90–135 V, extreme |
| X746, X748 MFP high-voltage models | 220–240 V at 50–60Hz, nominal 198–254 V, extreme |

Warning—Potential Damage: Do not use voltage converters with printers.

Power requirements

The following table specifies the nominal average power requirements for the base configuration, including fuser power.

| State | C746 | C748 | X746 | X748 |
|--|----------------|----------------|----------------|-------|
| Average power while printing continuously | | | | |
| Print (simplex) | 535 W | 535 W | 560 W | 560 W |
| Print (duplex) | 420 W | 420 W | 435 W | 435 W |
| Average power while idle | | | | |
| Hibernate mode | 0.55 W | 0.55 W | 0.5 W | 0.5 W |
| Ready mode | 48 W | 48 W | 55 W | 55 W |
| Sleep mode | 6.8 W | 7.3 W | 11 W | 11 W |
| Off | 0 W | 0 W | 0 W | 0 W |
| Average power while copying continuously | | | | |
| Copy | Not applicable | Not applicable | 600 W | 600 W |
| Average power while scanning continuously | | | | |
| ADF scan | Not applicable | Not applicable | 85 W | 85 W |
| Current while printing | Average | | Maximum | |
| 100 V | 8.3 A | 8.3 A | 9 A | 9 A |
| 120 V | 7.5 A | 7.5 A | 8 A | 8 A |
| 230 V | 3.8 A | 3.8 A | 4 A | 4 A |

Physical specifications

Single-function printer dimensions (unpackaged)

| Printer model | Height | Width | Depth | Weight with cartridge (unpackaged) |
|---------------|-------------------|-------------------|-------------------|------------------------------------|
| C746 | 455 mm (17.9 in.) | 435 mm (17.1 in.) | 400 mm (15.7 in.) | 25.2 kg (55.6 lb) |
| C748 | 455 mm (17.9 in.) | 435 mm (17.1 in.) | 400 mm (15.7 in.) | 25.6 kg (56.4 lb) |

Multiple-function printer dimensions (unpackaged)

| Printer model | Height | Width | Depth | Weight with cartridge (unpackaged) |
|---------------|-------------------|-------------------|-------------------|------------------------------------|
| X746de | 787 mm (31.0 in.) | 546 mm (21.5 in.) | 622 mm (24.5 in.) | 44.0 kg (97.0 lb) |
| X748de | 787 mm (31.0 in.) | 546 mm (21.5 in.) | 622 mm (24.5 in.) | 44.2 kg (97.5 lb) |
| X748dte | 909 mm (35.8 in.) | 546 mm (21.5 in.) | 622 mm (24.5 in.) | 48.3 kg (106.5 lb) |

Dimensions of the C746, C748, X746, X748 hardware options (unpacked)

| Option | Height | Width | Depth | Weight with cartridge (unpacked) |
|---------------------------------------|--------------------|--------------------|--------------------|----------------------------------|
| Optional 550-sheet tray ¹ | 122 mm (4.8 in.) | 435 mm (17.1 in.) | 545 mm (21.5 in.) | 4.5 kg (10.0 lb) |
| Optional 2000-sheet tray ² | 345 mm (13.6 in.) | 435 mm (17.1 in.) | 545 mm (21.5 in.) | 26.1 kg (57.5 lb) |
| Spacer ¹ | 122 mm (4.8 in.) | 435 mm (17.1 in.) | 545 mm (21.5 in.) | 3.2 kg (7.0 lb) |
| Swivel cabinet | 264 mm (10.38 in.) | 476 mm (18.75 in.) | 600 mm (23.63 in.) | 21.82 kg (48.1 lb) |
| Caster base ³ | 110 mm (4.3 in.) | 654 mm (25.7 in.) | 752 mm (29.6 in.) | 31.8 kg (70 lb) |

¹ The 550-sheet tray or spacer is approximately 169 mm (6.6 in.) high if the anti-tip posts are included.
² The 2000-sheet tray is approximately 387 mm (15.2 in.) high if the anti-tip posts are included.
³ The caster base is approximately 130 mm (5.1 in.) high if the anti-tip posts are included.

Clearance requirements

| Printer model | Left side | Right side | Front | Rear | Top |
|---------------|------------------|------------------|-------------------|------------------|-------------------|
| C746, C748 | 150 mm (5.9 in.) | 100 mm (3.9 in.) | 400 mm (15.7 in.) | 100 mm (3.9 in.) | 150 mm (5.9 in.) |
| Printer model | Left side | Right side | Front | Rear | Top |
| X746, X748 | 100 mm (3.9 in.) | 100 mm (3.9 in.) | 483 mm (19 in.) | 100 mm (3.9 in.) | 394 mm (15.5 in.) |

Environmental conditions

Note: When shipping or storing printers, always pack the printer supplies (such as cartridges and photoconductors) separately.

Printer air temperature ranges

| Printer model | Operating value | | Shipping and storage value (printer with cartridges) |
|---------------|------------------------------|----------------------------|--|
| | Product operating | Product not operating* | Packaged |
| C746, C748 | 15.6 to 32.20°C (60 to 90°F) | 10.0 to 40°C (50 to 104°F) | -40 to 40°C (-40 to 104°F) |
| X746, X748 | 15.6 to 32.0°C (60 to 90°F) | 10.0 to 40°C (50 to 104°F) | -40 to 40°C (-40 to 104°F) |

Values for the ambient operating environment

| Printer model | Ambient operating environment |
|---------------|---|
| C746, C748 | 15.6 to 32.2°C (60 to 90°F) 8–80% RH |
| X746, X748 | 15.6 to 32.2°C (60 to 90°F) 8–80% RH |

Printer humidity ranges

| Printer model | Air relative humidity (RH) | | |
|---------------|----------------------------|----------------------------|----------|
| | Operating value | Shipping and storage value | |
| | | Unpackaged | Packaged |
| C746, C748 | 8–80% | 8–80% | 5–95% |
| X746, X748 | 8–80% | 8–80% | 5–95% |

Cartridge air temperature ranges

| Printer model | Shipping and storage value |
|---------------|----------------------------|
| | Cartridges (packaged) |
| C746, C748 | -40 to 40°C (40 to 104°F) |
| X746, X748 | -40 to 40°C (40 to 104°F) |

Altitude and atmospheric pressure specifications

Altitude specifications

| Printer model | Altitude (above sea level) | |
|---------------|----------------------------|----------------------------|
| | Operating value | Shipping and storage value |
| C746, C748 | 0–3048 m (10000 ft) | 0–10300 m (34000 ft) |
| X746, X748 | 0–3048 m (10000 ft) | 0–10300 m (34000 ft) |

Appendix A: PCL support

PCL emulation commands

| ✓ = Supported X = Not supported | | Printer model | |
|------------------------------------|--|---------------|------------|
| Command | Function | C746, C748 | X746, X748 |
| Decimal 8 | Backspace (BS) | ✓ | ✓ |
| Decimal 9 | Horizontal Tab (HT) | ✓ | ✓ |
| Decimal 10 | Line Feed (LF) | ✓ | ✓ |
| Decimal 12 | Form Feed (FF) | ✓ | ✓ |
| Decimal 13 | Carrier Return (CR) | ✓ | ✓ |
| Decimal 14 | Select Secondary Font (SO) | ✓ | ✓ |
| Decimal 15 | Select Primary Font (SI) | ✓ | ✓ |
| Decimal 32 | Space (SP) | ✓ | ✓ |
| ESC \mathcal{E} | Printer Reset | ✓ | ✓ |
| ESC γ | Display Functions On | ✓ | ✓ |
| ESC \mathcal{Z} | Display Functions Off | ✓ | ✓ |
| ESC \mathcal{z} | Print Test Page | X | X |
| ESC&a#C | Set Horizontal Cursor Position (Column Number) | ✓ | ✓ |
| ESC&a#G | Duplex Page Side Selection | ✓ | ✓ |
| ESC&a#H | Set Horizontal Cursor Position (in Decipoints) | ✓ | ✓ |
| ESC&a#L | Set Left Margin | ✓ | ✓ |
| ESC&a#M | Set Right Margin | ✓ | ✓ |
| ESC&a#N | Negative Motion | X | X |
| ESC&a#P | Print Direction | ✓ | ✓ |
| ESC&a#R | Set Vertical Cursor Position (Row Number) | ✓ | ✓ |
| ESC&a#V | Set Vertical Cursor Position (in Decipoints) | ✓ | ✓ |
| ESC&b#M | Monochrome Print Mode | ✓ | ✓ |

| ✓ = Supported X = Not supported | | Printer model | |
|------------------------------------|--|---------------|------------|
| | | C746, C748 | X746, X748 |
| Command | Function | | |
| ESC&b#W[data] | Key / Value Pair | X | X |
| ESC&c#T | Character Text Path Direction | ✓ | ✓ |
| ESC&d@ | Disable Underline | ✓ | ✓ |
| ESC&d#A | Collation - Collated Copies (QTY) | ✓ | ✓ |
| ESC&d#D | Select Underline Type | ✓ | ✓ |
| ESC&f#F | Set Universal Height | ✓ | ✓ |
| ESC&f#G | Set Universal Width | ✓ | ✓ |
| ESC&f#O | Set Universal Feed Direction | ✓ | ✓ |
| ESC&f#W | Set Universal Custom Name | ✓ | ✓ |
| ESC&f#S | Push/Pop Cursor | ✓ | ✓ |
| ESC&f#X | Macro Control | ✓ | ✓ |
| ESC&f#Y | Set Macro ID | ✓ | ✓ |
| ESC&k#G | Set Line Termination | ✓ | ✓ |
| ESC&k#H | Set Horizontal Motion Index (HMI) | ✓ | ✓ |
| ESC&k#S | Select Primary and Secondary Pitch | ✓ | ✓ |
| ESC&k#W | Text Scale Mode | X | X |
| ESC&l#A | Set Page Size | ✓ | ✓ |
| ESC&l#A [optional data] | Set Page Size with Custom Load Messaging | ✓ | ✓ |
| ESC&l#C | Set Vertical Motion Index (VMI) | ✓ | ✓ |
| ESC&l#D | Set Line Spacing | ✓ | ✓ |
| ESC&l#E | Set Top Margin | ✓ | ✓ |
| ESC&l#F | Set Text Length | ✓ | ✓ |
| ESC&l#G | Set Output Bin | ✓ | ✓ |
| ESC&l#H | Select Paper Feed | ✓ | ✓ |
| ESC&l#L | Skip Perforation | ✓ | ✓ |
| ESC&l#O | Select Orientation | ✓ | ✓ |
| ESC&l#M(b) | Media Type | X | X |

| ✓ = Supported X = Not supported | | Printer model | |
|------------------------------------|--------------------------------------|---------------|------------|
| | | C746, C748 | X746, X748 |
| Command | Function | | |
| ESC&l#P | Set Page Length | ✓ | ✓ |
| ESC&l#S | Simplex/Duplex | ✓ | ✓ |
| ESC&l1T | Job Separation | X | X |
| ESC&l#U | Left (Long-Edge) Offset Registration | ✓ | ✓ |
| ESC&l#X | Set Copy Count | ✓ | ✓ |
| ESC&l#Z | Top (Short-Edge) Offset Registration | ✓ | ✓ |
| ESC&n#W [operation] [string id] | Alphanumeric ID | ✓ | ✓ |
| ESC&p#C | Palette Control | ✓ | ✓ |
| ESC&p#I | Palette Control ID | ✓ | ✓ |
| ESC&p#S | Select Palette | ✓ | ✓ |
| ESC&p#X[data] | Transparent Print Data | ✓ | ✓ |
| ESC&r#F | Flush All Pages | ✓ | ✓ |
| ESC&s#C | End-Of-Line Text Wrap | ✓ | ✓ |
| ESC&t#P | Text Parsing Method | ✓ | ✓ |
| ESC&u#D | Unit of Measure | ✓ | ✓ |
| ESC(# | Select Symbol Set | ✓ | ✓ |
| ESC(#X | Select Font by ID | ✓ | ✓ |
| ESC(3@ | Select Default Primary Font | ✓ | ✓ |
| ESC(f#W[data] | Define Symbol Set | ✓ | ✓ |
| ESC(s#B | Select Stroke Weight | ✓ | ✓ |
| ESC(s#H | Select Pitch | ✓ | ✓ |
| ESC(s#P | Select Spacing | ✓ | ✓ |
| ESC(s#S | Select Style | ✓ | ✓ |
| ESC(s#T | Select Typeface | ✓ | ✓ |
| ESC(s#V | Select Point Size | ✓ | ✓ |
| ESC(s#W[data] | Load Character | ✓ | ✓ |

| ✓ = Supported X = Not supported | | Printer model | |
|------------------------------------|---|---------------|------------|
| | | C746, C748 | X746, X748 |
| Command | Function | | |
| ESC)# | Secondary Font Symbol Set | X | X |
| ESC)#X | Select Secondary Download Font (by Font ID) | X | X |
| ESC)3@ | Select Default Secondary Font | ✓ | ✓ |
| ESC)s#B | Secondary Font Stroke Weight | X | X |
| ESC)s#H | Secondary Font Pitch | X | X |
| ESC)s#P | Secondary Font Spacing | X | X |
| ESC)s#S | Secondary Font Style | X | X |
| ESC)s#T | Secondary Font Typeface Selection | X | X |
| ESC)s#V | Secondary Font Height (Point Size) | X | X |
| ESC)s#W[data] | Load Font Header | ✓ | ✓ |
| ESC*b#M | Set Raster Compression Mode | ✓ | ✓ |
| ESC*b#V[data] | Transfer Raster Data (Plane) | ✓ | ✓ |
| ESC*b#W[data] | Transfer Raster Data (Row/Block) | ✓ | ✓ |
| ESC*b#Y | Y Offset | ✓ | ✓ |
| ESC*c#A | Horizontal Rectangle Size (in PCL Units) | ✓ | ✓ |
| ESC*c#B | Vertical Rectangle Size (in PCL Units) | ✓ | ✓ |
| ESC*c#D | Set Font ID | ✓ | ✓ |
| ESC*c#E | Set Character Code | ✓ | ✓ |
| ESC*c#F | Font Control | ✓ | ✓ |
| ESC*c#G | Area Fill ID | ✓ | ✓ |
| ESC*c#H | Horizontal Rectangle Size (in Decipoints) | ✓ | ✓ |
| ESC*c#K | Horizontal Plot Size (in Inches) | ✓ | ✓ |
| ESC*c#L | Vertical Plot Size (in Inches) | ✓ | ✓ |
| ESC*c#P | Fill Rectangular Area | ✓ | ✓ |
| ESC*c#Q | Pattern Control | ✓ | ✓ |
| ESC*c#R | Symbol Set ID Code | ✓ | ✓ |

| ✓ = Supported X = Not supported | | Printer model | |
|------------------------------------|--|---------------|------------|
| | | C746, C748 | X746, X748 |
| Command | Function | | |
| ESC*c#S | Symbol Set Control | ✓ | ✓ |
| ESC*c0T | Set Picture Frame Anchor Point | ✓ | ✓ |
| ESC*c#V | Vertical Rectangle Size (in Decipoints) | ✓ | ✓ |
| ESC*c#W[data] | Define Pattern | ✓ | ✓ |
| ESC*c#X | Picture Frame Horizontal Size (in Decipoints) | ✓ | ✓ |
| ESC*c#Y | Picture Frame Vertical Size (in Decipoints) | ✓ | ✓ |
| ESC*ℓ#O | Logical Operation | ✓ | ✓ |
| ESC*ℓ#R | Pixel Placement | ✓ | ✓ |
| ESC*ℓ#W[data] | Color Lookup Tables | X | X |
| ESC*m#W[data] | Download Dither Matrix | ✓ | ✓ |
| ESC*o#M(b) | Print Quality | X | X |
| ESC*o#Q | Mechanical Print Quality | X | X |
| ESC*o#W[data] | Driver Configuration | ✓ | ✓ |
| ESC*p#P | Push/Pop Palette | ✓ | ✓ |
| ESC*p#R | Set Pattern Reference Point | ✓ | ✓ |
| ESC*p#X | Set Horizontal Cursor Position (in PCL Units) | ✓ | ✓ |
| ESC*p#Y | Set Vertical Cursor Position (in PCL Units) | ✓ | ✓ |
| ESC*r#A | Start Raster Graphics | ✓ | ✓ |
| ESC*r#F | Raster Graphics Presentation | ✓ | ✓ |
| ESC*r#S | Raster Width (Source) | ✓ | ✓ |
| ESC*r#T | Raster Height (Source) | ✓ | ✓ |
| ESC*r#U | Simple Color | ✓ | ✓ |
| ESC*rB | End Raster Graphics (Version B) | ✓ | ✓ |
| ESC*rC | End Raster Graphics (Version C) | ✓ | ✓ |
| ESC*s#I | Inquire Status Readback Entity | ✓ | ✓ |

| ✓ = Supported X = Not supported | | Printer model | |
|------------------------------------|--|---------------|------------|
| | | C746, C748 | X746, X748 |
| Command | Function | | |
| ESC*s1M | Free Space | ✓ | ✓ |
| ESC*s#T | Set Status Readback Location Type | ✓ | ✓ |
| ESC*s#U | Set Status Readback Location Unit | ✓ | ✓ |
| ESC*s#X | Echo | ✓ | ✓ |
| ESC*t#H | Raster Width (Destination) | ✓ | ✓ |
| ESC*t#I | Gamma Correction | ✓ | ✓ |
| ESC*t#J | Render Algorithm | X | X |
| ESC*t#K | Scale Algorithm | X | X |
| ESC*t#R | Set Resolution | ✓ | ✓ |
| ESC*t#V | Raster Height (Destination) | ✓ | ✓ |
| ESC#g#W | Set Raster Configuration | X | X |
| ESC*v#A | Color Component One | ✓ | ✓ |
| ESC*v#B | Color Component Two | ✓ | ✓ |
| ESC*v#C | Color Component Three | ✓ | ✓ |
| ESC*v#I | Assign Color Index | ✓ | ✓ |
| ESC*v#N | Source Transparency Mode | ✓ | ✓ |
| ESC*v#O | Pattern Transparency Mode | ✓ | ✓ |
| ESC*v#S | Foreground Color | ✓ | ✓ |
| ESC*v#T | Select Current Pattern | ✓ | ✓ |
| ESC*v#W[data] | Configure Image Data | ✓ | ✓ |
| ESC*i#W[data] | Viewing Illuminant | X | X |
| ESCg | Clear Horizontal Margins | ✓ | ✓ |
| ESC= | Half Line-Feed | ✓ | ✓ |
| ESC%#A | Enter HP PCL 5 Mode | ✓ | ✓ |
| ESC%#B | Enter HP-GL/2 Mode Note: The values -1, 2, and 3 are not supported by any of the printers included in this document. | ✓ | ✓ |

| √ = Supported X = Not supported | | Printer model | |
|------------------------------------|---|---------------|------------|
| Command | Function | C746, C748 | X746, X748 |
| ESC%-12345X | Universal Exit Language (UEL) / Start of PJJ | √ | √ |

GL/2 commands

| √ = Supported X = Not supported | | Printer model | |
|------------------------------------|---------------------------|---------------|------------|
| Command | Function | C746, C748 | X746, X748 |
| AA | Arc Absolute | √ | √ |
| AC | Anchor Corner | √ | √ |
| AD | Define Alternate Font | √ | √ |
| AR | Arc Relative | √ | √ |
| AT | Arc Absolute Three Point | √ | √ |
| BR | Bezier Relative | √ | √ |
| BZ | Bezier Absolute | √ | √ |
| CF | Character Fill | √ | √ |
| CI | Circle | √ | √ |
| CO | Comment | √ | √ |
| CP | Character Plot | √ | √ |
| CR | Color Range | √ | √ |
| DF | Default | √ | √ |
| DI | Absolute Direction | √ | √ |
| DR | Relative Direction | √ | √ |
| DT | Define Label Terminator | √ | √ |
| DV | Define Variable Text Path | √ | √ |
| EA | Edge Rectangle Absolute | √ | √ |
| EP | Edge Polygon | √ | √ |
| ER | Edge Rectangle Relative | √ | √ |
| ES | Extra Space | √ | √ |

| ✓ = Supported X = Not supported | | Printer model | |
|------------------------------------|-----------------------------------|---------------|------------|
| | | C746, C748 | X746, X748 |
| Command | Function | | |
| EW | Edge Wedge | ✓ | ✓ |
| FI | Primary Font | ✓ | ✓ |
| FN | Secondary Font | ✓ | ✓ |
| FP | Fill Polygon, Odd/Even | ✓ | ✓ |
| FP | Fill Polygon, Non-Zero Winding | ✓ | ✓ |
| FT | Fill Type | ✓ | ✓ |
| FT | Fill Type - 22 | ✓ | ✓ |
| FT | Fill Type - 9 | ✓ | ✓ |
| IN | Initialize | ✓ | ✓ |
| IP | Input P1 and P2 | ✓ | ✓ |
| IR | Input Relative P1 and P2 | ✓ | ✓ |
| IW | Input Window | ✓ | ✓ |
| LA | Line Attributes | ✓ | ✓ |
| LB | Label, Default Terminator = '03'x | ✓ | ✓ |
| LO | Label Origin | ✓ | ✓ |
| LO | Uses PCL Label Origin | ✓ | ✓ |
| LT | Line Type | ✓ | ✓ |
| LM | Label Mode | x | x |
| MC | Logical Operation | ✓ | ✓ |
| NP | Number of Pens | ✓ | ✓ |
| PA | Plot Absolute | ✓ | ✓ |
| PC | Pen Color | ✓ | ✓ |
| PD | Pen Down | ✓ | ✓ |
| PE | Polyline Encoded | ✓ | ✓ |
| PM | Polygon Mode | ✓ | ✓ |
| PP | Pixel Placement | ✓ | ✓ |
| PR | Plot Relative | ✓ | ✓ |

| ✓ = Supported X = Not supported | | Printer model | |
|------------------------------------|-----------------------------|---------------|------------|
| | | C746, C748 | X746, X748 |
| Command | Function | | |
| PU | Pen Up | ✓ | ✓ |
| PW | Pen Width | ✓ | ✓ |
| RA | Fill Rectangle Absolute | ✓ | ✓ |
| RF | Define Raster Fill | ✓ | ✓ |
| RO | Rotate Coordinate System | ✓ | ✓ |
| RR | Fill Rectangle Relative | ✓ | ✓ |
| RT | Arc Relative Three Point | ✓ | ✓ |
| SA | Select Alternate Font | ✓ | ✓ |
| SB | Scalable/Bitmapped Fonts | ✓ | ✓ |
| SC | Scale | ✓ | ✓ |
| SD | Define Standard Font | ✓ | ✓ |
| SI | Absolute Character Size | ✓ | ✓ |
| SL | Character Slant | ✓ | ✓ |
| SM | Symbol Mode | ✓ | ✓ |
| SP | Select Pen | ✓ | ✓ |
| SR | Relative Character Size | ✓ | ✓ |
| SS | Select Standard Font | ✓ | ✓ |
| SV | Screened Vectors | ✓ | ✓ |
| SV | Screened Vectors - 9, level | ✓ | ✓ |
| TD | Transparent Data | ✓ | ✓ |
| TM | Threshold Matrix | ✓ | ✓ |
| TR | Transparency Mode | ✓ | ✓ |
| UL | User Defined Line | ✓ | ✓ |
| WG | Fill Wedge | ✓ | ✓ |
| WU | Pen Width Units | ✓ | ✓ |

Appendix B: PJI support

Common variables for both printer languages

| Variable name | Printer model | |
|-------------------|---------------|------------|
| | C746, C748 | X746, X748 |
| AUTOCONT | ✓ | ✓ |
| AUTOSELECT | x | x |
| BINDING | ✓ | ✓ |
| BITSPERPIXEL | x | x |
| CLEARABLEWARNINGS | ✓ | ✓ |
| CONTEXTSWITCH | x | x |
| COPIES | ✓ | ✓ |
| CPLOCK | ✓ | ✓ |
| DENSITY | ✓ | ✓ |
| DISKLOCK | x | x |
| DUPLEX | ✓ | ✓ |
| ECONOMODE | x | x |
| FORMATTERNUMBER | ✓ | ✓ |
| FORMLINES | ✓ | ✓ |
| HELDJOBTIMEOUT | ✓ | ✓ |
| HOLD | ✓ | ✓ |
| HOLDKEY | ✓ | ✓ |
| HOLDTYPE | ✓ | ✓ |
| IMAGEADAPT | x | x |
| INTRAY1 | x | x |
| INTRAY2 | ✓ | ✓ |
| INTRAY3 | ✓ | ✓ |
| INTRAY4 | ✓ | ✓ |
| INTRAY5 | ✓ | ✓ |

| Variable name | Printer model | |
|---------------|---------------|------------|
| | C746, C748 | X746, X748 |
| INTRAY1SIZE | ✓ | ✓ |
| INTRAY2SIZE | ✓ | ✓ |
| INTRAY3SIZE | ✓ | ✓ |
| INTRAY4SIZE | ✓ | ✓ |
| INTRAY5SIZE | ✓ | ✓ |
| IOBUFFER | x | x |
| IOSIZE | x | x |
| JOBATTR | x | x |
| JOBNAME | ✓ | ✓ |
| JOBOFFSET | x | x |
| LANG | ✓ | ✓ |
| LOWTONER | ✓ | ✓ |
| MANUALFEED | ✓ | ✓ |
| MEDIASOURCE | x | x |
| MEDIATYPE | ✓ | ✓ |
| MPTRAY | ✓ | ✓ |
| ORIENTATION | ✓ | ✓ |
| OUTBIN | ✓ | ✓ |
| PAGEPROTECT | ✓ | ✓ |
| PAPER | ✓ | ✓ |
| PARALLEL | ✓ | ✓ |
| PASSWORD | ✓ | ✓ |
| PERSONALITY | ✓ | ✓ |
| POWERSAVE | ✓ | ✓ |
| POWERSAVETIME | ✓ | ✓ |
| PRINTQUALITY | x | x |
| QTY | ✓ | ✓ |
| RENDERMODE | x | x |

| Variable name | Printer model | |
|-------------------|---------------|------------|
| | C746, C748 | X746, X748 |
| REPEATJOBTIMEOUT | ✓ | ✓ |
| REPRINT | ✓ | ✓ |
| RESERVEJOBTIMEOUT | ✓ | ✓ |
| RESOLUTION | ✓ | ✓ |
| RESOURCESAVE | ✓ | ✓ |
| RESOURCESAVESIZE | x | x |
| RET | x | x |
| STRINGCODESET | ✓ | ✓ |
| TIMEOUT | ✓ | ✓ |
| USERNAME | ✓ | ✓ |
| VERIFYJOBTIMEOUT | ✓ | ✓ |
| WIDEA4 | ✓ | ✓ |

Lexmark-unique PJI variables for both printer languages

| Variable name | Printer model | |
|-------------------|---------------|------------|
| | C746, C748 | X746, X748 |
| LACTIVEBINRESET | x | x |
| LADVANCEDSTATUS | ✓ | ✓ |
| LALARMCONTROL | ✓ | ✓ |
| LAUOCRLF | ✓ | ✓ |
| LAUTOLFCR | ✓ | ✓ |
| LBAYERSCREENLIMIT | ✓ | ✓ |
| LBLANKPAGES | ✓ | ✓ |
| LBONDLENGTH | x | x |
| LBONDLOADING | ✓ | ✓ |
| LBONDOUTBIN | x | x |
| LBONDTEXTURE | ✓ | ✓ |

| Variable name | Printer model | |
|----------------------|---------------|------------|
| | C746, C748 | X746, X748 |
| LBONDWEIGHT | ✓ | ✓ |
| LBOTTOMMARGINOFFSET | x | x |
| LBWLOCK | ✓ | ✓ |
| LCANCEL | ✓ | ✓ |
| LCARDSTOCKLENGTH | x | x |
| LCARDSTOCKLOADING | x | x |
| LCARDSTOCKOUTBIN | x | x |
| LCARDSTOCKTEXTURE | ✓ | ✓ |
| LCARDSTOCKWEIGHT | ✓ | ✓ |
| LCOLLATION | ✓ | ✓ |
| LCOLORBALANCEBLACK | ✓ | ✓ |
| LCOLORBALANCECYAN | ✓ | ✓ |
| LCOLORBALANCEMAGENTA | ✓ | ✓ |
| LCOLORBALANCEYELLOW | ✓ | ✓ |
| LCOLORCORRECTION | x | x |
| LCOLOREDLENGTH | x | x |
| LCOLOREDLOADING | ✓ | ✓ |
| LCOLOREDOUTBIN | x | x |
| LCOLOREDTEXTURE | ✓ | ✓ |
| LCOLOREDWEIGHT | ✓ | ✓ |
| LCOLORMODEL | ✓ | ✓ |
| LCOLORSAVER | ✓ | ✓ |
| LCOLORTRAPPING | ✓ | ✓ |
| LCUSTOMPAPERUNITS | ✓ | ✓ |
| LCUSTOMPAPERWIDTH | ✓ | ✓ |
| LCUSTOMPAPERHEIGHT | ✓ | ✓ |
| LCUSTOMPAPERFEED | ✓ | ✓ |
| LCUSTOMTYPE1LENGTH | x | x |

| Variable name | Printer model | |
|---------------------|---------------|------------|
| | C746, C748 | X746, X748 |
| LCUSTOMTYPE1LOADING | ✓ | ✓ |
| LCUSTOMTYPE1MEDIA | ✓ | ✓ |
| LCUSTOMTYPE1NAME | ✓ | ✓ |
| LCUSTOMTYPE1OUTBIN | x | x |
| LCUSTOMTYPE1TEXTURE | ✓ | ✓ |
| LCUSTOMTYPE1WEIGHT | ✓ | ✓ |
| LCUSTOMTYPE2LENGTH | x | x |
| LCUSTOMTYPE2LOADING | ✓ | ✓ |
| LCUSTOMTYPE2MEDIA | ✓ | ✓ |
| LCUSTOMTYPE2NAME | ✓ | ✓ |
| LCUSTOMTYPE2OUTBIN | x | x |
| LCUSTOMTYPE2TEXTURE | ✓ | ✓ |
| LCUSTOMTYPE2WEIGHT | ✓ | ✓ |
| LCUSTOMTYPE3LENGTH | x | x |
| LCUSTOMTYPE3LOADING | ✓ | ✓ |
| LCUSTOMTYPE3MEDIA | ✓ | ✓ |
| LCUSTOMTYPE3NAME | ✓ | ✓ |
| LCUSTOMTYPE3OUTBIN | x | x |
| LCUSTOMTYPE3TEXTURE | ✓ | ✓ |
| LCUSTOMTYPE3WEIGHT | ✓ | ✓ |
| LCUSTOMTYPE4LENGTH | x | x |
| LCUSTOMTYPE4LOADING | ✓ | ✓ |
| LCUSTOMTYPE4MEDIA | ✓ | ✓ |
| LCUSTOMTYPE4NAME | ✓ | ✓ |
| LCUSTOMTYPE4OUTBIN | x | x |
| LCUSTOMTYPE4TEXTURE | ✓ | ✓ |
| LCUSTOMTYPE4WEIGHT | ✓ | ✓ |
| LCUSTOMTYPE5LENGTH | x | x |

| Variable name | Printer model | |
|-------------------------|---------------|------------|
| | C746, C748 | X746, X748 |
| LCUSTOMTYPE5LOADING | ✓ | ✓ |
| LCUSTOMTYPE5MEDIA | ✓ | ✓ |
| LCUSTOMTYPE5NAME | ✓ | ✓ |
| LCUSTOMTYPE5OUTBIN | X | X |
| LCUSTOMTYPE5TEXTURE | ✓ | ✓ |
| LCUSTOMTYPE5WEIGHT | ✓ | ✓ |
| LCUSTOMTYPE6LENGTH | X | X |
| LCUSTOMTYPE6LOADING | ✓ | ✓ |
| LCUSTOMTYPE6MEDIA | ✓ | ✓ |
| LCUSTOMTYPE6NAME | ✓ | ✓ |
| LCUSTOMTYPE6OUTBIN | X | X |
| LCUSTOMTYPE6TEXTURE | ✓ | ✓ |
| LCUSTOMTYPE6WEIGHT | ✓ | ✓ |
| LDOWNLOADTARGET | ✓ | ✓ |
| LDRYTIMEDELAY | X | X |
| LDUPLEXLEFTMARGINOFFSET | X | X |
| LDUPLEXTOPMARGINOFFSET | X | X |
| LDUPLICATEHELDJOBS | ✓ | ✓ |
| LECOMODE | ✓ | ✓ |
| LENVELOPEENHANCE | X | X |
| LENVELOPELENGTH | X | X |
| LENVELOPEOUTBIN | X | X |
| LENVELOPETEXTURE | ✓ | ✓ |
| LENVELOPEWEIGHT | ✓ | ✓ |
| LESCCHAR | ✓ | ✓ |
| LFAXFOLD | X | X |
| LFAXJOBWAITFORTONER | X | X |
| LFAXREDIAL | X | X |
| LFAXREDIALFREQUENCY | X | X |

| Variable name | Printer model | |
|---------------------|---------------|------------|
| | C746, C748 | X746, X748 |
| LFAXRESOLUTION | X | X |
| LFAXTRANSMISSIONLOG | X | X |
| LFOLD | X | X |
| LFEEDERPAPERTYPE | X | X |
| LGLOSSYLOADING | ✓ | ✓ |
| LGLOSSYOUTBIN | X | X |
| LGLOSSYTEXTURE | ✓ | ✓ |
| LGLOSSYWEIGHT | ✓ | ✓ |
| LHEAVYGLOSSYLOADING | ✓ | ✓ |
| LHEAVYGLOSSYOUTBIN | X | X |
| LHEAVYGLOSSYTEXTURE | ✓ | ✓ |
| LHEAVYGLOSSYWEIGHT | ✓ | ✓ |
| LHEAVYPAPERLOADING | ✓ | ✓ |
| LHEAVYPAPEROUTBIN | X | X |
| LHEAVYPAPERTEXTURE | ✓ | ✓ |
| LHEAVYPAPERWEIGHT | ✓ | ✓ |
| LHELDJOBPRORDER | ✓ | ✓ |
| LHOLEPUNCHALARM | X | X |
| LHOLEPUNCHMODE | X | X |
| LHONORINIT | ✓ | ✓ |
| LIMAGEESS | X | X |
| LIMAGEBRIGHTNESS | X | X |
| LIMAGECONTRAST | X | X |
| LIMAGEENHANCE | X | X |
| LIMAGEENHANCETYPE | X | X |
| LIMAGEORIENTATION | ✓ | ✓ |
| LIMAGESATURATION | ✓ | ✓ |
| LIMAGESMOOTHING | ✓ | ✓ |
| LINFEDER | X | X |

| Variable name | Printer model | |
|--------------------------|---------------|------------|
| | C746, C748 | X746, X748 |
| LINFEEDERSIZE | X | X |
| LINKALERT | X | X |
| LINMPFEEDERSIZE | ✓ | ✓ |
| LJAMRECOVERY | ✓ | ✓ |
| LJOBPARKPERSIST | ✓ | ✓ |
| LJOBWAITFORSUPPLIES | ✓ | ✓ |
| LLABELSLENGTH | X | X |
| LLABELSLOADING | X | X |
| LLABELSOUTBIN | X | X |
| LLABELSTEXTURE | ✓ | ✓ |
| LLABELSWEIGHT | ✓ | ✓ |
| LLASTTRAYRENUMBER | ✓ | ✓ |
| LLEFTMARGINOFFSET | X | X |
| LLETTERHEADLENGTH | X | X |
| LLETTERHEADLOADING | ✓ | ✓ |
| LLETTERHEADOUTBIN | X | X |
| LLETTERHEADTEXTURE | ✓ | ✓ |
| LLETTERHEADWEIGHT | ✓ | ✓ |
| LLIGHTPAPERLOADING | ✓ | ✓ |
| LLIGHTPAPEROUTBIN | X | X |
| LLIGHTPAPERTEXTURE | ✓ | ✓ |
| LLIGHTPAPERWEIGHT | ✓ | ✓ |
| LLINEDetail | ✓ | ✓ |
| LMANUALCOLORRGBTEXT | ✓ | ✓ |
| LMANUALCOLORRGBGRAPHICS | ✓ | ✓ |
| LMANUALCOLORRGBIMAGE | ✓ | ✓ |
| LMANUALCOLORCMYKTEXT | ✓ | ✓ |
| LMANUALCOLORCMYKGRAPHICS | ✓ | ✓ |

| Variable name | Printer model | |
|-----------------------|---------------|------------|
| | C746, C748 | X746, X748 |
| LMANUALCOLORCMYKIMAGE | ✓ | ✓ |
| LMANUALENVELOPESIZE | ✓ | ✓ |
| LMANUALENVELOPETYPE | ✓ | ✓ |
| LMANUALPAPERSIZE | ✓ | ✓ |
| LMANUALPAPERTYPE | ✓ | ✓ |
| MICRJOB | X | X |
| LMAXSTATUSMSG | X | X |
| LMPFEEDERPAPERTYPE | ✓ | ✓ |
| LMPFEEDERRENUMBER | ✓ | ✓ |
| LMULTIPAGEBORDER | ✓ | ✓ |
| LMULTIPAGEORDER | ✓ | ✓ |
| LMULTIPAGEPRINT | ✓ | ✓ |
| LMULTIPAGEVIEW | ✓ | ✓ |
| LNPAP | ✓ | ✓ |
| LOPTIONALOUTBIN1NAME | X | X |
| LOPTIONALOUTBIN2NAME | X | X |
| LOPTIONALOUTBIN3NAME | X | X |
| LOPTIONALOUTBIN4NAME | ✓ | ✓ |
| LOPTIONALOUTBIN5NAME | ✓ | ✓ |
| LOPTIONALOUTBIN6NAME | X | X |
| LOPTIONALOUTBIN7NAME | X | X |
| LOPTIONALOUTBIN8NAME | X | X |
| LOPTIONALOUTBIN9NAME | X | X |
| LOPTIONALOUTBIN10NAME | X | X |
| LOUTBINCONFIG | X | X |
| LOVERFLOWOUTBIN | X | X |
| LOVERFLOWTIMER | X | X |
| LPAGECOUNT | ✓ | ✓ |
| LPAGEMODE | ✓ | ✓ |

| Variable name | Printer model | |
|--------------------|---------------|------------|
| | C746, C748 | X746, X748 |
| LPAPERSOURCE | ✓ | ✓ |
| LPICTUREGRADE | x | x |
| LPLAINLENGTH | x | x |
| LPLAINOUTBIN | x | x |
| LPLAINTEXTURE | ✓ | ✓ |
| LPLAINWEIGHT | ✓ | ✓ |
| LPOWERSAVER | ✓ | ✓ |
| LPPDS | ✓ | ✓ |
| LPPDSFORMLINES | ✓ | ✓ |
| LPPDSLINESPERINCH | ✓ | ✓ |
| LPREPRINTEDLENGTH | x | x |
| LPREPRINTEDLOADING | ✓ | ✓ |
| LPREPRINTEDOUTBIN | x | x |
| LPREPRINTEDTEXTURE | ✓ | ✓ |
| LPREPRINTEDWEIGHT | ✓ | ✓ |
| LPRINTBUFFER | ✓ | ✓ |
| LPRINTSCREENS | ✓ | ✓ |
| LPRINTHEADIDLETIME | x | x |
| LPRINTERUSAGE | ✓ | ✓ |
| LPRINTMENUSBUTTON | x | x |
| LPRINTQUALITY | x | x |
| LPUNCH | x | x |
| LQUIETMODE | ✓ | ✓ |
| LREAROUTBINNAME | x | x |
| LRECYCLEDLOADING | ✓ | ✓ |
| LRECYCLEDMEDIA | ✓ | ✓ |
| LRECYCLEDOUTBIN | x | x |
| LRECYCLEDTEXTURE | ✓ | ✓ |
| LRECYCLEDWEIGHT | ✓ | ✓ |

| Variable name | Printer model | |
|-----------------------|---------------|------------|
| | C746, C748 | X746, X748 |
| LREPEATPRINTLIMIT | ✓ | ✓ |
| LRESET | ✓ | ✓ |
| LRESOURCESAVE | ✓ | ✓ |
| LRIGHTMARGINOFFSET | X | X |
| LROUGHENVELOPELOADING | X | X |
| LROUGHENVELOPEOUTBIN | X | X |
| LROUGHENVELOPETEXTURE | ✓ | ✓ |
| LROUGHENVELOPEWEIGHT | ✓ | ✓ |
| LROUGH PAPERLOADING | X | X |
| LROUGH PAPEROUTBIN | X | X |
| LROUGH PAPERTEXTURE | ✓ | ✓ |
| LROUGH PAPERWEIGHT | ✓ | ✓ |
| LSCREENING | X | X |
| LSEPARATORSHEETS | ✓ | ✓ |
| LSEPARATORSOURCE | ✓ | ✓ |
| LSMALLFONTENHANCER | X | X |
| LSSGALVO | X | X |
| LSTANDARDOUTBINNAME | ✓ | ✓ |
| LSTAPLE | X | X |
| LSTAPLEEMPTYALARM | X | X |
| LSTAPLETESTBIN | X | X |
| LSTAPLETESTSOURCE | X | X |
| LSTROKEWIDTH | ✓ | ✓ |
| LSUBSTITUTESIZE | ✓ | ✓ |
| LTOPBINROTATE | X | X |
| LTOPMARGINOFFSET | X | X |
| LTRANSPARENCYLENGTH | X | X |
| LTRANSPARENCYOUTBIN | X | X |
| LTRANSPARENCYTEXTURE | ✓ | ✓ |

| Variable name | Printer model | |
|-----------------------------|---------------|------------|
| | C746, C748 | X746, X748 |
| LTRANSPARENCYWEIGHT | ✓ | ✓ |
| LTRAY1AUTOSIZE | x | x |
| LTRAY2AUTOSIZE | ✓ | ✓ |
| LTRAY3AUTOSIZE | ✓ | ✓ |
| LTRAY4AUTOSIZE | ✓ | ✓ |
| LTRAY5AUTOSIZE | ✓ | ✓ |
| LTRAY1PAPERTYPE | ✓ | ✓ |
| LTRAY2PAPERTYPE | ✓ | ✓ |
| LTRAY3PAPERTYPE | ✓ | ✓ |
| LTRAY4PAPERTYPE | ✓ | ✓ |
| LTRAY5PAPERTYPE | ✓ | ✓ |
| LTRAY1RENUMBER | ✓ | ✓ |
| LTRAY1SENSEDTYPEPAPER | x | x |
| LTRAY1SENSEDTYPETRANSARENCY | x | x |
| LTRAY2SENSEDTYPEPAPER | x | x |
| LTRAY2SENSEDTYPETRANSARENCY | x | x |
| LTRAY3SENSEDTYPEPAPER | x | x |
| LTRAY3SENSEDTYPETRANSARENCY | x | x |
| LTRAY4SENSEDTYPEPAPER | x | x |
| LTRAY4SENSEDTYPETRANSARENCY | x | x |
| LTRAYINSERTMESSAGEDELAY | ✓ | ✓ |
| LTYPE1FONTS | ✓ | ✓ |
| LUSDEFAULTS | ✓ | ✓ |
| LVINYLLABELSLOADING | x | x |
| LVINYLLABELSOUTBIN | x | x |
| LVINYLLABELSTEXTURE | ✓ | ✓ |
| LVINYLLABELSWEIGHT | ✓ | ✓ |
| LWRITECOVERAGE | ✓ | ✓ |

Common variables for PCL emulation

| Variable name | Printer model | |
|---------------|---------------|------------|
| | C746, C748 | X746, X748 |
| FONTNUMBER | ✓ | ✓ |
| FONTSOURCE | ✓ | ✓ |
| PITCH | ✓ | ✓ |
| PTSIZE | ✓ | ✓ |
| SYMSET | ✓ | ✓ |

Lexmark-unique variables for PCL emulation

| Variable name | Printer model | |
|----------------------|---------------|------------|
| | C746, C748 | X746, X748 |
| LA4WIDTH | ✓ | ✓ |
| LASSIGNFEEDER | x | x |
| LASSIGNMANUALEVELOPE | ✓ | ✓ |
| LASSIGNMANUALPAPER | ✓ | ✓ |
| LASSIGNMPFEEDER | ✓ | ✓ |
| LASSIGNTRAY1 | ✓ | ✓ |
| LASSIGNTRAY2 | ✓ | ✓ |
| LASSIGNTRAY3 | ✓ | ✓ |
| LASSIGNTRAY4 | ✓ | ✓ |
| LASSIGNTRAY5 | ✓ | ✓ |
| LBITMAPROUNDING | ✓ | ✓ |
| LCOLOREXTENSIONS | ✓ | ✓ |
| LFONTCOMPATIBILITY | ✓ | ✓ |
| LFONTPRIORITY | ✓ | ✓ |

Common variables for PostScript emulation

| ✓ = Supported X = Not supported | Printer model | |
|------------------------------------|---------------|------------|
| | C746, C748 | X746, X748 |
| Variable name | | |
| JAMRECOVERY | ✓ | ✓ |
| PRTPSERRS | ✓ | ✓ |
| ADOBEMBT | X | X |

Lexmark-unique variables for PostScript emulation

| ✓ = Supported X = Not supported | Printer model | |
|------------------------------------|---------------|------------|
| | C746, C748 | X746, X748 |
| Variable name | | |
| LPICTUREGRADE | X | X |
| LPSFONTPRIORITY | ✓ | ✓ |

Lexmark-unique LRESOURCE variables

| ✓ = Supported X = Not supported | Printer model | |
|------------------------------------|---------------|------------|
| | C746, C748 | X746, X748 |
| Variable name | | |
| LDESCRIPTION | ✓ | ✓ |
| LRWLOCK | ✓ | ✓ |
| LWLOCK | ✓ | ✓ |

Status Readback commands

| ✓ = Supported X = Not supported | Printer model | |
|------------------------------------|---------------|------------|
| | C746, C748 | X746, X748 |
| Command | | |
| DINQUIRE | ✓ | ✓ |
| ECHO | ✓ | ✓ |
| INFO | ✓ | ✓ |
| INQUIRE | ✓ | ✓ |

| ✓ = Supported X = Not supported | Printer model | |
|------------------------------------|---------------|------------|
| | C746, C748 | X746, X748 |
| Command | | |
| USTATUS | ✓ | ✓ |
| USTATUSOFF | ✓ | ✓ |

USTATUS unsolicited status variables

| ✓ = Supported X = Not supported | Printer model | |
|------------------------------------|---------------|------------|
| | C746, C748 | X746, X748 |
| Variable name | | |
| DEVICE | ✓ | ✓ |
| JOB | ✓ | ✓ |
| PAGE | ✓ | ✓ |
| TIMED | ✓ | ✓ |

PJI messages for auto-continuable conditions

| ✓ = Supported X = Not supported | Printer model | | | | |
|------------------------------------|--|-------------|---|------------|------------|
| | Message | Status code | Return string | C746, C748 | X746, X748 |
| | Intervention Required - PPDS Font Error | 30014 | 50 PPDS font error | ✓ | ✓ |
| | Intervention Required - Insufficient Collation Area | 30016 | 37 Insufficient Collation Area | X | X |
| | Intervention Required - Insufficient Defragment Memory | 30016 | 37 Insufficient Defrag Memory | X | X |
| | Intervention Required - Insufficient Memory | 30016 | 37 Insufficient memory, some Held Jobs were deleted | ✓ | ✓ |
| | Intervention Required - Insufficient Defragment Memory | 30016 | 37 Insufficient memory, some Held Jobs were deleted | ✓ | ✓ |

| ✓ = Supported X = Not supported | | | Printer model | |
|---|-------------|--|---------------|------------|
| Message | Status code | Return string | C746, C748 | X746, X748 |
| Intervention Required - Insufficient Defragment Memory | 30016 | 37 Insufficient memory, some Held Jobs will not be restored | X | X |
| Intervention Required - Insufficient Defragment Memory | 30016 | 37 Insufficient memory for Flash Memory Defragment operation | ✓ | ✓ |
| Intervention Required - Insufficient Collation Area | 30016 | 37 Insufficient memory to collate job | ✓ | ✓ |
| Intervention Required - Memory Full | 30016 | 38 Memory full | ✓ | ✓ |
| Intervention Required - Configuration Change | 30016 | 57 Configuration Change | X | X |
| Intervention Required - Held Jobs May Not Be Restored (57 Configuration Change) | 30016 | 57 Configuration change, some held jobs were not restored | ✓ | ✓ |
| Intervention Required - Held Jobs May Not Be Restored | 30016 | Held Jobs May Not Be Restored | X | X |
| Intervention Required - Held Jobs May Not Be Restored | 30016 | Some held jobs were not restored | ✓ | ✓ |
| Intervention Required - Held Jobs May Not Be Restored | 30016 | 37 Insufficient memory, some held jobs will not be restored | ✓ | ✓ |
| Intervention Required - Complex Page | 30017 | 39 Complex page, some data may not have printed | ✓ | ✓ |
| Intervention Required - Parallel Error | 30018 | 54 Parallel Error | X | X |
| Intervention Required - Serial Option Error | 30018 | 54 Serial option [slot #] error | X | X |
| Intervention Required - Standard Serial Error | 30018 | 54 Standard Serial Error | X | X |

| ✓ = Supported X = Not supported | | | Printer model | |
|---|-------------|--|---------------|------------|
| Message | Status code | Return string | C746, C748 | X746, X748 |
| Intervention Required - Standard Network Software Error | 30018 | 54 Standard network software error | ✓ | ✓ |
| Intervention Required - Standard Serial Fax Connection Lost | 30018 | 54 Std Ser Fax Connection Lost | X | X |
| Intervention Required - Parallel Port Disabled | 30018 | 56 Parallel Port Disabled | X | X |
| Intervention Required - Parallel Port Error | 30018 | 56 Parallel Port Disabled | X | X |
| Intervention Required - Serial Option Disabled | 30018 | 56 Serial [slot #] Port Disabled | X | X |
| Intervention Required - Standard Serial Disabled | 30018 | 56 Standard Serial Disabled | X | X |
| Intervention Required - Standard USB Port Disabled | 30018 | 56 Standard USB port disabled | ✓ | ✓ |
| Intervention Required - Std Parallel Port Disabled | 30018 | 56 Std Parallel Port Disabled | X | X |
| Intervention Required - Resource Save Off Deficient Memory | 30019 | 35 Res Save Off Deficient Memory | X | X |
| Intervention Required - Insufficient Fax Buffer | 30026 | 55 Insufficient Fax Buffer | X | X |
| Intervention Required - Std Par ENA Connection Lost | 30027 | 54 Std Par ENA Connection Lost | X | X |
| Intervention Required - Standard Parallel Port Disabled | 30027 | 56 Standard Parallel Port Disabled | ✓ | ✓ |
| Intervention Required - Std Parallel Port Disabled | 30027 | 56 Std Parallel Port Disabled | X | X |
| Intervention Required - Resolution Reduced | 30029 | 36 Resolution Reduced | X | X |
| Intervention Required - Print Jobs on Disk Request | 30031 | Print Jobs on Disk? or Print Jobs on Disk. Go/Stop? | X | X |

| ✓ = Supported X = Not supported | | | Printer model | |
|--|-------------|--|---------------|------------|
| Message | Status code | Return string | C746, C748 | X746, X748 |
| Intervention Required - Restore Held Jobs. Go/Stop? | 30031 | Restore held jobs? | ✓ | ✓ |
| Intervention Required - Short Paper | 30034 | 34 Short Paper | X | X |
| Intervention Required - Short Paper | 30034 | 34 Incorrect paper size, open [source] | ✓ | ✓ |
| Intervention Required - Flash Full | 30035 | 52 Flash Full | X | X |
| Intervention Required - Disk Full | 30035 | 62 Disk Full | X | X |
| Intervention Required - Defective Flash | 30036 | 51 Defective Flash | X | X |
| Intervention Required - Unformatted Flash | 30036 | 53 Unformatted Flash | X | X |
| Intervention Required - Defective Disk | 30036 | 61 Defective Disk | X | X |
| Intervention Required - Unformatted Disk | 30036 | 63 Unformatted Disk | X | X |
| Intervention Required - Scheduled Maintenance | 30075 | 80 Scheduled Maintenance | X | X |
| Intervention Required - Scheduled Maintenance | 30075 | 80 Scheduled maintenance ADF kit | X | X |
| Intervention Required - Res Save Off Deficient Memory | 30076 | 35 Insufficient memory to support Resource Save feature | ✓ | ✓ |
| Intervention Required - Insufficient memory | 30076 | 35 Insufficient memory to support Resource Save feature | X | X |
| Intervention Required - Resource Save Off Deficient Memory | 30076 | 35 Res Save Off Deficient Memory | X | X |
| Intervention Required - Insufficient Collation Area | 30076 | 37 Insufficient Collation Area | X | X |

| ✓ = Supported X = Not supported | | | Printer model | |
|---|-------------|---------------------------------|---------------|------------|
| Message | Status code | Return string | C746, C748 | X746, X748 |
| Intervention Required - Service Required | 30095 | 36 Printer service required | X | X |
| Intervention Required - Empty Box M | 30107 | Empty Box M | X | X |
| Intervention Required - Empty Hole Punch Box | 30107 | Empty Hole Punch Box | X | X |
| Intervention Required - Insert Box M | 30107 | Insert Box M | X | X |
| Intervention Required - Insert Staple Cartridge | 30107 | Insert staple cartridge | X | X |
| Intervention Required - Insert Stapler | 30107 | Insert Stapler | X | X |
| Intervention Required - Priming Failed | 30107 | Priming Failed, Retry. Go/Stop? | X | X |
| Intervention Required - Network [x] Software Error | 30112 | 54 Network [x] software error | ✓ | ✓ |
| Intervention Required - Serial [x] Fax Connection Lost | 30112 | 54 Ser [x] Fax Connection Lost | X | X |
| Intervention Required - Serial Option [x] Error | 30112 | 54 Serial option [x] error | ✓ | ✓ |
| Intervention Required - Serial Port [x] Disabled | 30112 | 56 Serial port [x] disabled | ✓ | ✓ |
| Intervention Required - USB Port [x] Disabled | 30112 | 56 USB port [x] disabled | ✓ | ✓ |
| Intervention Required - Parallel [x] ENA Connection Lost | 30113 | 54 Par [x] ENA Connection Lost | X | X |
| Intervention Required - Parallel Port [x] Disabled | 30113 | 56 Parallel port [x] disabled | ✓ | ✓ |
| Intervention Required - Disk Operation Failed Faxes on Disk | 32001 | Operation Failed Faxes on Disk | X | X |
| Intervention Required - Disk Operation Failed Jobs on Disk | 32001 | Operation Failed Jobs on Disk | X | X |

| ✓ = Supported X = Not supported | | | Printer model | |
|--|-------------|--|---------------|------------|
| Message | Status code | Return string | C746, C748 | X746, X748 |
| Intervention Required - Flash Full | 32002 | 52 Flash Full | X | X |
| Intervention Required - Flash Full | 32002 | 52 Not enough free space in flash memory for resources | ✓ | ✓ |
| Intervention Required - Disk Full | 32002 | 62 Disk full | ✓ | ✓ |
| Intervention Required - Disk Corrupted | 32015 | Disk Corrupted | ✓ | ✓ |
| Intervention required - Disk Corrupted. Reformat? | 32015 | Disk Corrupted. Reformat? | X | X |
| Intervention required - Too Many Bins Attached | 32030 | 58 Too many bins attached | X | X |
| Intervention Required - Too Many Flash Options Installed | 32030 | 58 Too Many Flash Options | X | X |
| Intervention Required - Too Many Flash Options Installed | 32030 | 58 Too many flash options installed | ✓ | X |
| Intervention Required - Unformatted Flash | 32052 | 53 Unformatted flash detected | ✓ | ✓ |
| Intervention Required - Unformatted Flash Detected | 32052 | 53 Unformatted Flash detected | X | X |
| Intervention Required - Unformatted Disk | 32052 | 63 Unformatted disk | X | X |
| Intervention Required - Unsupported Disk Format | 32052 | 64 Unsupported Disk Format | X | X |
| Intervention Required - Defective Flash | 32056 | 51 Defective Flash | X | X |
| Intervention Required - Defective Flash | 32056 | 51 Defective flash detected | ✓ | ✓ |
| Intervention Required - Defective Disk | 32056 | 61 Defective Disk | X | X |

| ✓ = Supported X = Not supported | | | Printer model | |
|---|-------------|---|---------------|------------|
| Message | Status code | Return string | C746, C748 | X746, X748 |
| Intervention Required - Defective Disk | 32056 | 61 Remove defective disk | ✓ | ✓ |
| Intervention Required - Scheduled Maintenance | 35075 | 80 Scheduled Maintenance | X | X |
| Intervention Required - Scheduled Maintenance | 35075 | 81 Scheduled Maintenance | X | X |
| Intervention Required - Scheduled Maintenance | 40315 | 81 Scheduled Maintenance [x] | X | X |
| Intervention Required - Scheduled Maintenance | 40316 | 81 Scheduled Maintenance [x] | X | X |
| Intervention Required - Belt Life Warning | 40038 | 80 Belt Life Warning | X | X |
| Intervention Required - Belt Exhausted | 40038 | 80 Belt Exhausted | X | X |
| Intervention Required - Fuser Maintenance | 40038 | 80 Fuser Maintenance | X | X |
| Intervention Required - Fuser Life Warning | 40038 | 80 Fuser Life Warning | X | X |
| Intervention Required - Fuser Exhausted | 40038 | 80 Fuser Exhausted | X | X |
| Intervention Required - Fuser/Belt Life Warning | 40038 | 80 Fuser/Belt Life Warning | X | X |
| Intervention Required - Fuser/Belt Exhausted | 40038 | 80 Fuser/Belt Exhausted | X | X |
| Intervention Required - ITU Maintenance | 40038 | 83 ITU Maintenance | X | X |
| Intervention Required - PJJ OP Message | 40048 | [Pick up text from 'data1' and 'data2' but not 'userMessage1' and 'userMessage2'] | ✓ | ✓ |
| Intervention Required - PJJ ST Message | 40049 | [Pick up text from 'data1' and 'data2' but not 'userMessage1' and 'userMessage2'] | ✓ | ✓ |

| ✓ = Supported X = Not supported | | | Printer model | |
|--|-------------|--------------------------------------|---------------|------------|
| Message | Status code | Return string | C746, C748 | X746, X748 |
| Intervention Required - Waste Toner Bottle Nearly Full | 40141 | 82.xx Waste toner bottle nearly full | ✓ | ✓ |
| Intervention Required - Photoconductor Low | 40204 | 84.xx [Color] imaging unit low | X | X |
| Intervention Required - Photoconductor Low | 40204 | 84.xx [Color] photoconductor low | ✓ | ✓ |
| Intervention Required - Transfer Module Life Warning | 40215 | 83.xx Transfer module life warning | ✓ | ✓ |

PJI messages for attendance conditions

| ✓ = Supported X = Not supported | | | Printer model | |
|--|-------------|-------------------------------------|---------------|------------|
| Message | Status code | Return string | C746, C748 | X746, X748 |
| Intervention required - Disk Corrupted. Reformat? | 32015 | Disk corrupted | ✓ | ✓ |
| Intervention Required - Too Many Bins Attached | 32030 | 58 Too many bins attached | X | X |
| Intervention Required - Too Many Flash Options Installed | 32030 | 58 Too many flash options installed | ✓ | ✓ |
| Intervention Required - Disk Problem | 32052 | Disk problem | ✓ | ✓ |
| Intervention Required - Remove Defective Disk | 32056 | 61 Remove defective disk | ✓ | ✓ |
| Intervention Required - Defective Flash | 32056 | 61 Defective flash detected | X | X |
| Intervention Required - Insert Hole Punch Box | 40010 | Insert Hole Punch Box | X | X |
| Intervention Required - Insert PC Cartridge | 40010 | Insert PC Cartridge | X | X |

* This message contains a subset of letters CMYK, where CMYK denotes Cyan, Magenta, Yellow, and Black cartridges, respectively.

| ✓ = Supported X = Not supported | | | Printer model | |
|---|-------------|---|---------------|------------|
| Message | Status code | Return string | C746, C748 | X746, X748 |
| Intervention Required - 30 CMYK* Print Unit Missing | 40010 | 30 CMYK* Print Unit Missing | X | X |
| Intervention Required - 30 Coating Roll Missing | 40010 | 30 Coating Roll Missing | X | X |
| Intervention Required - Remove Originals from Scanner ADF | 40019 | Remove originals from the scanner automatic document feeder | X | X |
| Intervention Required - Remove Paper Standard Bin | 40019 | Remove paper from standard output bin | ✓ | ✓ |
| Intervention Required - Install MICR cartridge | 40020 | Install MICR cartridge | X | X |
| Intervention Required - Cartridge Life Expired | 40021 | Cartridge Life Expired CMYK* | X | X |
| Intervention Required - Cartridge Life Warning | 40021 | Cartridge Life Warning CMYK* | X | X |
| Intervention Required - Change Cartridge Invalid Refill | 40021 | Change Cartridge Invalid Refill | X | X |
| Intervention Required - Close Cover [x] | 40021 | Close cover [x] | X | X |
| Intervention Required - Close Cover [x] | 40021 | Close paper transport cover | X | X |
| Intervention Required - Printer Cover Open | 40021 | Close Cover | X | X |
| Intervention Required - Close Toner Box Cover | 40021 | Close Cover | X | X |
| Intervention Required - Close Deflector G | 40021 | Close Deflector G | X | X |
| Intervention Required - Close Door | 40021 | Close Door | X | X |
| Intervention Required - Close Door [x] | 40021 | Close door [x] | X | X |

* This message contains a subset of letters CMYK, where CMYK denotes Cyan, Magenta, Yellow, and Black cartridges, respectively.

| ✓ = Supported X = Not supported | | | Printer model | |
|---|-------------|---|---------------|------------|
| Message | Status code | Return string | C746, C748 | X746, X748 |
| Intervention Required - Close Door [x] | 40021 | Close stapler door | X | X |
| Intervention Required - Close Door Insert Cartridge | 40021 | Close door or insert cartridge | X | X |
| Intervention Required - Close Finisher Door | 40021 | Close Finisher Door | X | X |
| Intervention Required - Close Finisher Side Door | 40021 | Close finisher side door | X | X |
| Intervention Required - Close Finisher Top Cover | 40021 | Close finisher top cover | X | X |
| Intervention Required - Close Front Door | 40021 | Close front or side door | X | X |
| Intervention Required - Close Front Door | 40021 | Close front door | ✓ | ✓ |
| Intervention Required - Close Left Side Door | 40021 | Close left side door | X | X |
| Intervention Required - Close Low ADF Door | 40021 | Close lower automatic feeder door | X | X |
| Intervention Required - Close Side Door | 40021 | Close Side Door | X | X |
| Intervention Required - Close Surface | 40021 | Close surface H | X | X |
| Intervention Required - Close Cover | 40021 | Close top access cover | ✓ | ✓ |
| Intervention Required - Close Cover and Door | 40021 | Close top access cover and front door | X | X |
| Intervention Required - Close Door | 40021 | Close [tray] door | X | X |
| Intervention Required - Close Tray [x] Top Cover | 40021 | Close Tray [x] Top Cover | X | X |
| * This message contains a subset of letters CMYK, where CMYK denotes Cyan, Magenta, Yellow, and Black cartridges, respectively. | | | | |

| ✓ = Supported X = Not supported | | | Printer model | |
|---|-------------|---|---------------|------------|
| Message | Status code | Return string | C746, C748 | X746, X748 |
| Intervention Required - Printer Upper Door Open | 40021 | Cover Open, Close Top Covers, Close Door, or Insert Cartridge | X | X |
| Intervention Required - Insert Print Cartridge | 40021 | Insert Print Cartridge | X | X |
| Intervention Required - Open Cover | 40021 | Open Cover | X | X |
| Intervention Required - Open Rear Door | 40021 | Open Rear Door | X | X |
| Intervention Required - Invalid Refill | 40021 | 30 Invalid Refill Change Cartridge | X | X |
| Intervention Required - Defective Ink Cartridge | 40021 | 31 Defective Cartridge CMYK* | X | X |
| Intervention Required - Defective Print Cartridge | 40021 | 31 Defective Print Cartridge | X | X |
| Intervention Required - Missing Cartridge | 40021 | 31 Missing Cartridge CMYK* | X | X |
| Intervention Required - Missing Printhead | 40021 | 31 Missing Printhead | X | X |
| Intervention Required - Defective Print Cartridge | 40021 | 31 Replace defective cartridge | X | X |
| Intervention Required - Invalid Refill | 40021 | 31.xx Invalid refill, change cartridge | X | X |
| Intervention Required - Defective Print Cartridge | 40021 | 31.xx Replace defective cartridge | X | X |
| Intervention Required - Defective Print Cartridge | 40021 | 31.xx Replace defective print cartridge | X | X |
| Intervention Required - Unsupported Cartridge | 40021 | 32 Unsupported Cartridge | X | X |

* This message contains a subset of letters CMYK, where CMYK denotes Cyan, Magenta, Yellow, and Black cartridges, respectively.

| ✓ = Supported X = Not supported | | | Printer model | |
|---|-------------|---|---------------|------------|
| Message | Status code | Return string | C746, C748 | X746, X748 |
| Intervention Required - Unsupported CMYK* Cartridge | 40021 | 32 Unsupported CMYK* Cartridge | X | X |
| Intervention Required - Unsupported Print Cartridge | 40021 | 32 Unsupported Print Cartridge | X | X |
| Intervention Required - Unsupported Printhead | 40021 | 32 Unsupported Printhead | X | X |
| Intervention Required - Unsupported Cartridge | 40021 | 32.xx Cartridge part number unsupported by device | X | X |
| Intervention Required - Tray Size Sense Error | 40021 | 40 Tray [x] Size Sense Error | X | X |
| Intervention Required - Open Bin Exit Tray | 40021 | 41 Open Bin 1 Exit Tray | X | X |
| Intervention Required - Cartridge Region Mismatch | 40021 | 42.xy Cartridge region mismatch | X | X |
| Intervention Required - Paper Jam | 40022 | 2xx Paper Jam | X | X |
| Intervention Required - Remove Packaging Material | 40025 | Remove packaging material | X | X |
| Intervention Required - Remove Packaging Material | 40025 | Remove packaging material, [area name] | ✓ | ✓ |
| Intervention Required - Waste Toner Missing | 40025 | 82 Waste toner bottle missing | X | X |
| Intervention Required - Waste Toner Bottle Missing | 40025 | 82.xx Waste toner bottle missing | ✓ | ✓ |
| Intervention Required - Check Tray Connection | 40027 | Check tray [paper source #] connection | X | X |

* This message contains a subset of letters CMYK, where CMYK denotes Cyan, Magenta, Yellow, and Black cartridges, respectively.

| ✓ = Supported X = Not supported | | | Printer model | |
|--|-------------|--------------------------------------|---------------|------------|
| Message | Status code | Return string | C746, C748 | X746, X748 |
| Intervention Required - Install Tray [x] or Cancel Job | 40027 | Install tray [x] | ✓ | ✓ |
| Intervention Required - Install Tray [x] or Cancel Job | 40027 | Install Tray [x] or Cancel Job | X | X |
| Intervention Required - Install Envelope Feeder | 40028 | Install envelope feeder | X | X |
| Intervention Required - Install Env Feeder or Cancel Job | 40028 | Install Env Feed or Cancel Job | X | X |
| Intervention Required - Reattach Envelope Feeder | 40028 | Reattach Envelope Feeder | X | X |
| Intervention Required - Reattach MP Feeder | 40028 | Reattach MP Feeder | X | X |
| Intervention Required - Check Finisher Installation | 40029 | Check Finisher Installation | X | X |
| Intervention Required - Check Mailbox Installation | 40029 | Check Mailbox Installation | X | X |
| Intervention Required - Install Bin [x] or Cancel Job | 40029 | Install Bin [x] or Cancel Job | X | X |
| Intervention Required - Reattach Bin | 40029 | Reattach bin [x] | X | X |
| Intervention Required - Reattach Bins | 40029 | Reattach Bins [bin #x- bin #y] | X | X |
| Intervention Required - Reattach Output Bin | 40029 | Reattach Output Bin [bin #] | X | X |
| Intervention Required - Tray Config Error | 40030 | 33 Tray [x] Config Error | X | X |
| Intervention Required - Input Config Error | 40030 | 58 Input config error | ✓ | ✓ |

* This message contains a subset of letters CMYK, where CMYK denotes Cyan, Magenta, Yellow, and Black cartridges, respectively.

| ✓ = Supported X = Not supported | | | Printer model | |
|---|-------------|---------------------------------|---------------|------------|
| Message | Status code | Return string | C746, C748 | X746, X748 |
| Intervention Required - Too Many Bins Attached | 40030 | 58 Too Many Bins Attached | X | X |
| Intervention Required - Too Many Disks Installed | 40030 | 58 Too many disks installed | ✓ | ✓ |
| Intervention Required - Too Many Trays Attached | 40030 | 58 Too many trays attached | ✓ | ✓ |
| Intervention Required - Too Many Disks Installed | 40036 | 58 Too Many Disks Installed | X | X |
| Intervention Required - PerfectFinish Missing | 40037 | 31 PerfectFinish Missing | X | X |
| Intervention Required - PerfectFinish Empty | 40037 | 87 PerfectFinish Empty | X | X |
| Intervention Required - Replace Oil Coating Roll | 40038 | Replace Oil Coating Roll | X | X |
| Intervention Required - Replace PC Kit | 40038 | Replace PC Kit | X | X |
| Intervention Required - Replace PC Kit To Continue | 40038 | Replace PC Kit To Continue | X | X |
| Intervention Required - Replace Toner Cartridge | 40038 | Replace Toner Cartridge | X | X |
| Intervention Required - Replace Toner Cartridge To Continue | 40038 | Replace Toner To Continue | X | X |
| Intervention Required - 84 All Photo Devs Exhausted | 40038 | 84 All Photo Devs Exhausted | X | X |
| Intervention Required - 84 Black Photo Dev Exhausted | 40038 | 84 Black Photo Dev Exhausted | X | X |
| Intervention Required - 84 Black Photo Dev Life Warning | 40038 | 84 Black Photo Dev Life Warning | X | X |

* This message contains a subset of letters CMYK, where CMYK denotes Cyan, Magenta, Yellow, and Black cartridges, respectively.

| ✓ = Supported X = Not supported | | | Printer model | |
|---|-------------|--|---------------|------------|
| Message | Status code | Return string | C746, C748 | X746, X748 |
| Intervention Required - 84 Color Photo Dev Life Warning | 40038 | 84 Color Photo Dev Life Warning | X | X |
| Intervention Required - Cartridge Low | 40038 | 88 Cartridge Low | X | X |
| Intervention Required - [Color] Cartridge Low | 40038 | 88 [Color] cartridge is low | X | X |
| Intervention Required - Toner Low | 40038 | 88 Cartridge low | X | X |
| Intervention Required - Cartridge Low | 40038 | 88 Cartridge Low [CMYK] | X | X |
| Intervention Required - Toner Low | 40038 | 88 Toner is low | X | X |
| Intervention Required - Toner Low | 40038 | 88 Toner Low | X | X |
| Intervention Required - Toner Low | 40038 | 88 Yellow Toner Low 88 Magenta Toner Low 88 Cyan Toner Low 88 Black Toner Low | X | X |
| | | 88 Color Print Cartridge Low 88 Black Print Cartridge Low 88 Photo Print Cartridge Low | X | X |
| | | 88 Yellow Toner Empty 88 Magenta Toner Empty 88 Cyan Toner Empty 88 Black Toner Empty | X | X |
| | | | | |

* This message contains a subset of letters CMYK, where CMYK denotes Cyan, Magenta, Yellow, and Black cartridges, respectively.

| ✓ = Supported X = Not supported | | | Printer model | |
|--|-------------|---------------------------------|---------------|------------|
| Message | Status code | Return string | C746, C748 | X746, X748 |
| Intervention Required - Cartridge Nearly Low | 40038 | 88.xx Cartridge nearly low | X | X |
| Intervention Required - Cartridge Empty | 40039 | 89 Cartridge Empty [CMYK] | X | X |
| Intervention Required - Load Staples | 40040 | Load Staples | X | X |
| Intervention Required - Priming Failed. Retry? | 40041 | Priming Failed. Retry? | X | X |
| Intervention Required - PJJ OP Message | 40048 | OPMSG message | X | X |
| Intervention Required - PJJ ST Message | 40049 | STMSG message | X | X |
| Intervention Required - Replace Fuser | 40050 | Replace Fuser | X | X |
| Intervention Required - Replace Transfer Kit | 40050 | Replace Transfer Kit | X | X |
| Intervention Required - Incompatible Bin [x] | 40087 | 59 Incompatible Bin [x] | ✓ | ✓ |
| Intervention Required - Incompatible Bin [x] | 40087 | 59 Incompatible output bin [x] | X | X |
| Intervention Required - Incompatible Duplex | 40088 | 59 Incompatible Duplex | X | X |
| Intervention Required - Incompatible Duplex | 40088 | 59 Incompatible duplex | X | X |
| Intervention Required - Incompatible Tray [x] | 40089 | 59 Incompatible Tray [x] | ✓ | ✓ |
| Intervention Required - Paper Size Unsupported | 40089 | Tray [x] paper size unsupported | ✓ | ✓ |
| Intervention Required - Incompatible Envelope Feeder | 40090 | 59 Incompatible Envelope Feeder | X | X |
| Intervention Required - Incompatible Envelope Feeder | 40090 | 59 Incompatible envelope feeder | X | X |

* This message contains a subset of letters CMYK, where CMYK denotes Cyan, Magenta, Yellow, and Black cartridges, respectively.

| ✓ = Supported X = Not supported | | | Printer model | |
|---|-------------|--|---------------|------------|
| Message | Status code | Return string | C746, C748 | X746, X748 |
| Intervention Required - Check Duplex Connection | 40095 | Check Duplex Connection | X | X |
| Intervention Required - Check Duplex Connection | 40095 | Check duplex connection | X | X |
| Intervention Required - Install Duplex or Cancel Job | 40095 | Install Duplex or Cancel Job | X | X |
| Intervention Required - Install Duplex or Cancel Job | 40095 | Install duplex | X | X |
| Intervention Required - Duplex Cover Open | 40096 | Close Duplex Door | X | X |
| Intervention Required - Insert Duplex Option | 40096 | Insert Duplex Option | X | X |
| Intervention Required - Load Staples | 40101 | Load Staples | X | X |
| Intervention Required - Insert Hole Punch Box | 40107 | Insert the hole punch box | X | X |
| Intervention Required - Replace Photoconductor or Imaging Unit | 40129 | 84.xx Replace [color] imaging unit and [color] cartridge | X | X |
| Intervention Required - Replace Color PC Units | 40129 | 84 Replace color PC Units | X | X |
| Intervention Required - Replace Photoconductor | 40129 | 84.xx Replace [Color] photoconductor | ✓ | ✓ |
| Intervention Required - Replace Waste Toner Bottle | 40141 | 82.xx Replace waste toner bottle | ✓ | ✓ |
| Intervention Required - Replace Waste Toner | 40141 | 82 Replace waste toner bottle | X | X |

* This message contains a subset of letters CMYK, where CMYK denotes Cyan, Magenta, Yellow, and Black cartridges, respectively.

| ✓ = Supported X = Not supported | | | Printer model | |
|--|-------------|--------------------------------------|---------------|------------|
| Message | Status code | Return string | C746, C748 | X746, X748 |
| Intervention Required - Waste Toner Bottle Nearly Full | 40141 | 82.xx Waste toner bottle nearly full | ✓ | ✓ |
| Intervention Required - Waste Toner Nearly Full | 40141 | 82 Waste toner bottle nearly full | X | X |
| Intervention Required - Transfer Module Missing | 40143 | 83.xx Transfer module missing | ✓ | ✓ |
| Intervention Required - Cartridge Low | 40200 | 88.xx Black cartridge low | ✓ | ✓ |
| Intervention Required - Cartridge Nearly Low | 40200 | 88.1x black cartridge nearly low | X | X |
| Intervention Required - Cartridge Very Low | 40200 | 88.xx Black cartridge very low | ✓ | ✓ |
| Intervention Required - Replace Cartridge | 40200 | 88.2x Replace black cartridge | X | X |
| Intervention Required - Cartridge Low | 40201 | 88.xx Cyan cartridge low | ✓ | ✓ |
| Intervention Required - Cartridge Nearly Low | 40201 | 88.1x cyan cartridge nearly low | X | X |
| Intervention Required - Cartridge Very Low | 40201 | 88.xx Cyan cartridge very low | ✓ | ✓ |
| Intervention Required - Replace Cartridge | 40201 | 88.2x Replace cyan cartridge | X | X |
| Intervention Required - Cartridge Low | 40202 | 88.xx Magenta cartridge low | ✓ | ✓ |
| Intervention Required - Cartridge Nearly Low | 40202 | 88.1x magenta cartridge nearly low | X | X |
| Intervention Required - Cartridge Very Low | 40202 | 88.xx Magenta cartridge very low | ✓ | ✓ |

* This message contains a subset of letters CMYK, where CMYK denotes Cyan, Magenta, Yellow, and Black cartridges, respectively.

| √ = Supported X = Not supported | | | Printer model | |
|--|-------------|---|---------------|------------|
| Message | Status code | Return string | C746, C748 | X746, X748 |
| Intervention Required - Replace Cartridge | 40202 | 88.2x Replace magenta cartridge | X | X |
| Intervention Required - Cartridge Low | 40203 | 88.xx Yellow cartridge low | √ | √ |
| Intervention Required - Cartridge Nearly Low | 40203 | 88.1x yellow cartridge nearly low | X | X |
| Intervention Required - Cartridge Very Low | 40203 | 88.xx Yellow cartridge very low | √ | √ |
| Intervention Required - Replace Cartridge | 40203 | 88.2x Replace yellow cartridge | X | X |
| Black PC Unit Life Warning | 40204 | 84 Black pc unit life warning | X | X |
| Intervention Required - Unsupported PC Unit | 40204 | 84 unsupported [color] imaging unit | X | X |
| Intervention Required - Unsupported PC Unit | 40204 | 84 unsupported [color] pc unit | X | X |
| Intervention Required - Color PC Units Life Warning | 40204 | 84.xx Color PC Unit Life warning | X | X |
| Intervention Required - PC Kit Life Warning | 40204 | 84 PC kit life warning | X | X |
| Intervention Required - Photoconductor Low | 40204 | 84.xx [Color] photoconductor low | √ | √ |
| Intervention Required - Photoconductor Low | 40204 | 84 Photoconductor low | X | X |
| Intervention Required - Photoconductor Nearly Low | 40204 | 84.xx [color] photoconductor nearly low | X | X |
| Intervention Required - Transfer Module Life Warning | 40215 | 83.xx Transfer module life warning | √ | √ |

* This message contains a subset of letters CMYK, where CMYK denotes Cyan, Magenta, Yellow, and Black cartridges, respectively.

| ✓ = Supported X = Not supported | | | Printer model | |
|---|-------------|---|---------------|------------|
| Message | Status code | Return string | C746, C748 | X746, X748 |
| Intervention Required - Transfer Module Near Life Warning | 40215 | 83.xx Transfer module near life warning | ✓ | ✓ |
| Intervention Required - Fuser Life Warning | 40216 | 87 Fuser Life Warning | X | X |
| Intervention Required - Fuser Life Warning | 40216 | 80.xx Fuser life warning | ✓ | ✓ |
| Intervention Required - Fuser Near Life Warning | 40216 | 80.xx Fuser near life warning | ✓ | ✓ |
| Intervention Required - Replace Toner | 40300 | 88 Replace black toner | X | X |
| Intervention Required - Replace Toner | 40301 | 88 Replace cyan toner | X | X |
| Intervention Required - Replace Toner | 40302 | 88 Replace magenta toner | X | X |
| Intervention Required - Replace Toner | 40303 | 88 Replace yellow toner | X | X |
| Intervention Required - Replace PC Kit | 40304 | 84 Replace PC Kit | X | X |
| Intervention Required - Replace Photoconductor | 40304 | 84 Replace photoconductor | X | X |
| Intervention Required - 84 Replace Black PC Unit | 40305 | 84 Replace black PC Unit | X | X |
| Intervention Required - Cartridge Part Number Unsupported | 40309 | 32.xx Black cartridge part number unsupported by device | ✓ | ✓ |
| Intervention Required - Replace unsupported cartridge | 40309 | 32.xx Replace unsupported black cartridge | X | X |
| Intervention Required - Invalid Refill, Change Cartridge | 40309 | 40 black invalid refill, change cartridge | ✓ | ✓ |

* This message contains a subset of letters CMYK, where CMYK denotes Cyan, Magenta, Yellow, and Black cartridges, respectively.

| ✓ = Supported X = Not supported | | | Printer model | |
|---|-------------|---|---------------|------------|
| Message | Status code | Return string | C746, C748 | X746, X748 |
| Intervention Required - Cartridge Part Number Unsupported | 40310 | 32.xx Cyan cartridge part number unsupported by device | ✓ | ✓ |
| Intervention Required - Replace unsupported cartridge | 40310 | 32.xx Replace unsupported cyan cartridge | X | X |
| Intervention Required - Invalid Refill, Change Cartridge | 40310 | 40 cyan invalid refill, change cartridge | ✓ | ✓ |
| Intervention Required - Cartridge Part Number Unsupported | 40311 | 32.xx Magenta cartridge part number unsupported by device | ✓ | ✓ |
| Intervention Required - Replace unsupported cartridge | 40311 | 32.xx Replace unsupported magenta cartridge | X | X |
| Intervention Required - Invalid Refill, Change Cartridge | 40311 | 40 magenta invalid refill, change cartridge | ✓ | X |
| Intervention Required - Cartridge Part Number Unsupported | 40312 | 32.xx Yellow cartridge part number unsupported by device | ✓ | ✓ |
| Intervention Required - Replace unsupported cartridge | 40312 | 32.xx Replace unsupported yellow cartridge | X | X |
| Intervention Required - Invalid Refill, Change Cartridge | 40312 | 40 yellow invalid refill, change cartridge | ✓ | ✓ |

* This message contains a subset of letters CMYK, where CMYK denotes Cyan, Magenta, Yellow, and Black cartridges, respectively.

| ✓ = Supported X = Not supported | | | Printer model | |
|--|-------------|--|---------------|------------|
| Message | Status code | Return string | C746, C748 | X746, X748 |
| Intervention Required - Scheduled Maintenance | 40315 | 80 Scheduled maintenance [x] Note: [x] indicates 600K kit. | X | X |
| Intervention Required - Replace Transfer Module | 40315 | 83.xx Replace transfer module | ✓ | ✓ |
| Intervention Required - Replace Fuser | 40316 | 80.xx Replace fuser | ✓ | ✓ |
| Intervention Required - Replace Fuser | 40316 | 87.xx Replace fuser | X | X |
| Intervention Required - Scheduled Maintenance | 40316 | 80 Scheduled maintenance [x] Note: [x] indicates 100K kit. | X | X |
| Intervention Required - Replace Cartridge | 40400 | 31.xx Replace defective or missing cartridge | X | X |
| Intervention Required - Insert Photoconductor | 40404 | 84 Insert photoconductor | X | X |
| Intervention Required - Photoconductor Abnormal | 40404 | 84 Defective [color] imaging unit | X | X |
| Intervention Required - | 40404 | 84 Photoconductor abnormal | X | X |
| Intervention Required - [Color] PC Unit Missing | 40405 | 84.41 Black PC Unit missing | ✓ | ✓ |
| Intervention Required - [Color] Photoconductor Missing | 40405 | 84.41 Black photoconductor missing | X | X |
| Intervention Required - [Color] PC Unit Missing | 40406 | 84.41 Cyan PC Unit missing | ✓ | ✓ |
| Intervention Required - [Color] Photoconductor Missing | 40406 | 84.41 Cyan photoconductor missing | X | X |

* This message contains a subset of letters CMYK, where CMYK denotes Cyan, Magenta, Yellow, and Black cartridges, respectively.

| ✓ = Supported X = Not supported | | | Printer model | |
|--|-------------|--|---------------|------------|
| Message | Status code | Return string | C746, C748 | X746, X748 |
| Intervention Required - [Color] PC Unit Missing | 40407 | 84.41 Magenta PC Unit missing | ✓ | ✓ |
| Intervention Required - [Color] Photoconductor Missing | 40407 | 84.41 Magenta photoconductor missing | X | X |
| Intervention Required - [Color] PC Unit Missing | 40408 | 84.41 Yellow PC Unit missing | ✓ | ✓ |
| Intervention Required - [Color] Photoconductor Missing | 40408 | 84.41 Yellow photoconductor missing | X | X |
| Intervention Required - Toner Cartridge Missing | 40409 | 30.xx Missing black cartridge and/or black imaging unit | X | X |
| Intervention Required - Toner Cartridge Missing | 40409 | 30.xx Black toner cartridge missing | X | X |
| Intervention Required - Defective Cartridge | 40409 | 31.xx Defective black cartridge | ✓ | ✓ |
| Intervention Required - Missing or Defective Cartridge | 40409 | 31.xx Missing or defective black cartridge | ✓ | ✓ |
| Intervention Required - Toner Cartridge Missing | 40410 | 30.xx Missing cyan cartridge and/or cyan imaging unit | X | X |
| Intervention Required - Toner Cartridge Missing | 40410 | 30.xx Cyan toner cartridge missing | X | X |
| Intervention Required - Defective Cartridge | 40410 | 31.xx Defective cyan cartridge | ✓ | ✓ |
| Intervention Required - Missing or Defective Cartridge | 40410 | 31.xx Missing or defective cyan cartridge | ✓ | ✓ |

* This message contains a subset of letters CMYK, where CMYK denotes Cyan, Magenta, Yellow, and Black cartridges, respectively.

| ✓ = Supported X = Not supported | | | Printer model | |
|--|-------------|---|---------------|------------|
| Message | Status code | Return string | C746, C748 | X746, X748 |
| Intervention Required - Toner Cartridge Missing | 40411 | 30.xx Missing magenta cartridge and/or magenta imaging unit | X | X |
| Intervention Required - Toner Cartridge Missing | 40411 | 30.xx Magenta toner cartridge missing | X | X |
| Intervention Required - Defective Cartridge | 40411 | 31.xx Defective magenta cartridge | ✓ | ✓ |
| Intervention Required - Missing or Defective Cartridge | 40411 | 31.xx Missing or defective magenta cartridge | ✓ | ✓ |
| Intervention Required - Toner Cartridge Missing | 40412 | 30.xx Missing yellow cartridge and/or yellow imaging unit | X | X |
| Intervention Required - Toner Cartridge Missing | 40412 | 30.xx Yellow toner cartridge missing | X | X |
| Intervention Required - Defective Cartridge | 40412 | 31.xx Defective yellow cartridge | ✓ | ✓ |
| Intervention Required - Missing or Defective Cartridge | 40412 | 31.xx Missing or defective yellow cartridge | ✓ | ✓ |
| Intervention Required - Fuser Missing | 40416 | 80.xx Fuser missing | ✓ | ✓ |
| Intervention Required - Fuser Missing | 40416 | 87.xx Fuser missing | X | X |
| Intervention Required - Insert Duplex Pages in Tray [x] | 41202 | Reload printed pages in Tray [x] | X | X |

* This message contains a subset of letters CMYK, where CMYK denotes Cyan, Magenta, Yellow, and Black cartridges, respectively.

PJI messages for paper handling

| ✓ = Supported X = Not supported | | | Printer model | |
|---|-------------|---|---------------|------------|
| Message | Status code | Return string | C746, C748 | X746, X748 |
| Intervention Required - Tray [x] Empty | 11xyy | Tray [paper source #] Empty | X | X |
| Intervention Required - Tray [x] Missing | 12x01 | Tray [paper source #] Missing | X | X |
| Intervention Required - Bin [x] Full | 15ww1 | Bin [Bin #] Full | X | X |
| Intervention Required - Short Paper | 30034 | 34 Incorrect paper size, open [paper source] | ✓ | ✓ |
| Intervention Required - Wrong Paper Size in Tray [x] | 30034 | 34 Wrong Paper Size in Tray [x] | X | X |
| Intervention Required - Wrong Paper Size Manual Feed | 30034 | 34 Wrong Paper Size Manual Feed | X | X |
| Intervention Required - Remove Paper [All Output Bins] | 40019 | Remove paper from all bins | X | X |
| Intervention Required - Remove Paper From All Bins | 40019 | Remove paper from all bins | X | X |
| Intervention Required - Remove Paper From Output Bin [x] | 40019 | Remove paper from bin [x] | X | X |
| Intervention Required - Remove Paper Output Bin [bin #] | 40019 | Remove Paper Output Bin [bin #] | X | X |
| Intervention Required - Remove Paper [linked set bin name] | 40019 | Remove paper from [linked set bin name] | X | X |
| Intervention Required - Remove Paper [linked set bin name] | 40019 | Remove Paper [linked set bin name] | X | X |
| Intervention Required - Remove Paper From Standard Output Bin | 40019 | Remove paper from standard output bin | ✓ | ✓ |

| ✓ = Supported X = Not supported | | | Printer model | |
|---|-------------|---|---------------|------------|
| Message | Status code | Return string | C746, C748 | X746, X748 |
| Intervention Required - Remove Paper Standard Bin | 40019 | Remove Paper Standard Bin | X | X |
| Intervention Required - Photoconductor Exposure Warning | 40025 | Photoconductor exposure warning | X | X |
| Intervention Required - Check [Paper Source] Orientation or Guides | 4100x | Check [paper source] orientation or guides | X | X |
| Intervention Required - Check [Paper Source] Paper Guide | 4100x | Check [paper source] Paper Guide | X | X |
| Intervention Required - Incorrect Media | 41xy | Paper changes needed | ✓ | ✓ |
| Intervention Required - Load [paper source] [Custom Type Name] | 41xyy | Load [paper source] with [Custom Type Name] | ✓ | ✓ |
| Intervention Required - Load [paper source] [Custom String] | 41xyy | Load [paper source] with [Custom String] | ✓ | ✓ |
| Intervention Required - Load [paper source] [paper size] | 41xyy | Load [paper source] with [paper size] | ✓ | ✓ |
| Intervention Required - Load [paper source] [paper type] [paper size] | 41xyy | Load [paper source] with [paper type] [paper size] | ✓ | ✓ |
| Intervention Required - Load Manual Request | 41xyy | Load Manual Feeder with [Custom Type Name] | ✓ | ✓ |
| Intervention Required - Load Manual Request | 41xyy | Load Manual Feeder with [Custom String] | ✓ | ✓ |
| Intervention Required - Load Manual Request | 41xyy | Load Manual Feeder with [paper size] | ✓ | ✓ |

| ✓ = Supported X = Not supported | | | Printer model | |
|---|-------------|---|---------------|------------|
| Message | Status code | Return string | C746, C748 | X746, X748 |
| Intervention Required - Load Manual Request | 41xyy | Load Manual Feeder with [paper type] [paper size] | ✓ | ✓ |
| Intervention Required - Load Manual [Custom Type Name] | 41xyy | Load single sheet feeder with [Custom Type Name] | X | X |
| Intervention Required - Load Manual [Custom String] | 41xyy | Load single sheet feeder with [Custom String] | X | X |
| Intervention Required - Load Manual [paper size] | 41xyy | Load single sheet feeder with [paper size] | X | X |
| Intervention Required - Load Manual [paper type] [paper size] | 41xyy | Load single sheet feeder with [paper type] [paper size] | X | X |
| Intervention Required - Change Request | 41xyy | Change [paper source] to [Custom Type Name] | ✓ | ✓ |
| Intervention Required - Change Request | 41xyy | Change [paper source] to [Custom Type Name], load [orientation] | X | X |
| Intervention Required - Change Request | 41xyy | Change [paper source] to [Custom String] | ✓ | ✓ |
| Intervention Required - Change Request | 41xyy | Change [paper source] to [Custom String] load [orientation] | X | X |
| Intervention Required - Change Request | 41xyy | Change [paper source] to [paper type] [paper size] | ✓ | ✓ |

| ✓ = Supported X = Not supported | | | Printer model | |
|---|-------------|---|---------------|------------|
| Message | Status code | Return string | C746, C748 | X746, X748 |
| Intervention Required - Change Request | 41xyy | Change [paper source] to [paper type] [paper size] load [orientation] | X | X |
| Intervention Required - Load Manual Request | 41xyy | Load Manual Feeder with [Custom Type Name] | X | X |
| Intervention Required - Load Manual Request | 41xyy | Load Manual Feeder with [Custom String] | X | X |
| Intervention Required - Load Manual Request | 41xyy | Load Manual Feeder with [paper size] | X | X |
| Intervention Required - Load Manual Request | 41xyy | Load Manual Feeder with [paper type] [paper size] | X | X |
| Intervention Required - Incorrect Media | 41xyy | 34 Incorrect Media | X | X |
| Intervention Required - Insert Duplex Pages & Press Go. | 412yy | Insert Duplex Pages & Press Go. | X | X |
| Intervention Required - Insert Tray [x] | 4300x | Insert tray [x] | ✓ | ✓ |
| Intervention Required - Insert Tray Request | 4300x | Insert Tray [x] | X | X |

PJL messages for paper jams

| ✓ = Supported X = Not supported | Status code | Printer model | |
|------------------------------------|-------------|---------------|------------|
| | | C746, C748 | X746, X748 |
| Intervention Required - Paper Jam | 4200x | X | X |
| Intervention Required - Paper Jam | 4200z | ✓ | ✓ |
| Intervention Required - Paper Jam | 4201x | X | X |
| Intervention Required - Paper Jam | 4201z | ✓ | ✓ |
| Intervention Required - Paper Jam | 4202x | X | X |
| Intervention Required - Paper Jam | 4202z | ✓ | ✓ |
| Intervention Required - Paper Jam | 4203x | X | X |
| Intervention Required - Paper Jam | 4203z | ✓ | ✓ |
| Intervention Required - Paper Jam | 4204x | X | X |
| Intervention Required - Paper Jam | 4205x | X | X |
| Intervention Required - Paper Jam | 4206x | X | X |
| Intervention Required - Paper Jam | 4207x | X | X |
| Intervention Required - Paper Jam | 4208x | X | X |
| Intervention Required - Paper Jam | 4209x | X | X |
| Intervention Required - Paper Jam | 4210x | X | X |

w indicates that this message includes a letter indicating a door or cover that needs to be opened.
x represents the number of jammed pages in the printer.
y represents the tray number.
z represents the bin number.

| ✓ = Supported X = Not supported | Status code | Printer model | |
|------------------------------------|-------------|---------------|------------|
| | | C746, C748 | X746, X748 |
| Intervention Required - Paper Jam | 4211x | X | X |
| Intervention Required - Paper Jam | 4220x | X | X |
| Intervention Required - Paper Jam | 4221x | X | X |
| Intervention Required - Paper Jam | 4222x | X | X |
| Intervention Required - Paper Jam | 4230x | X | X |
| Intervention Required - Paper Jam | 4230z | ✓ | ✓ |
| Intervention Required - Paper Jam | 4231x | X | X |
| Intervention Required - Paper Jam | 4231z | X | X |
| Intervention Required - Paper Jam | 4232x | X | X |
| Intervention Required - Paper Jam | 4233x | X | X |
| Intervention Required - Paper Jam | 4234 | X | X |
| Intervention Required - Paper Jam | 424yx | X | X |
| Intervention Required - Paper Jam | 424xz | ✓ | ✓ |
| Intervention Required - Paper Jam | 4241wy | X | X |
| Intervention Required - Paper Jam | 4241z | X | X |
| Intervention Required - Paper Jam | 4242wy | X | X |

w indicates that this message includes a letter indicating a door or cover that needs to be opened.
x represents the number of jammed pages in the printer.
y represents the tray number.
z represents the bin number.

| ✓ = Supported X = Not supported | Status code | Printer model | |
|------------------------------------|-------------|---------------|------------|
| | | C746, C748 | X746, X748 |
| Intervention Required - Paper Jam | 4242z | X | X |
| Intervention Required - Paper Jam | 4243w | X | X |
| Intervention Required - Paper Jam | 4243z | X | X |
| Intervention Required - Paper Jam | 4244wy | X | X |
| Intervention Required - Paper Jam | 4244z | X | X |
| Intervention Required - Paper Jam | 4245w | X | X |
| Intervention Required - Paper Jam | 4246w | X | X |
| Intervention Required - Paper Jam | 4247wy | X | X |
| Intervention Required - Paper Jam | 4248w | X | X |
| Intervention Required - Paper Jam | 4249w | X | X |
| Intervention Required - Paper Jam | 4250w | X | X |
| Intervention Required - Paper Jam | 4250x | X | X |
| Intervention Required - Paper Jam | 4250z | ✓ | ✓ |
| Intervention Required - Paper Jam | 4251wy | X | X |
| Intervention Required - Paper Jam | 4251x | X | X |
| Intervention Required - Paper Jam | 4252w | X | X |

w indicates that this message includes a letter indicating a door or cover that needs to be opened.
x represents the number of jammed pages in the printer.
y represents the tray number.
z represents the bin number.

| ✓ = Supported X = Not supported | Status code | Printer model | |
|------------------------------------|-------------|---------------|------------|
| | | C746, C748 | X746, X748 |
| Intervention Required - Paper Jam | 4253w | X | X |
| Intervention Required - Paper Jam | 4254wy | X | X |
| Intervention Required - Paper Jam | 4255 | X | X |
| Intervention Required - Paper Jam | 4256w | X | X |
| Intervention Required - Paper Jam | 4257w | X | X |
| Intervention Required - Paper Jam | 4258w | X | X |
| Intervention Required - Paper Jam | 4259wy | X | X |
| Intervention Required - Paper Jam | 4260w | X | X |
| Intervention Required - Paper Jam | 4260x | X | X |
| Intervention Required - Paper Jam | 4260z | ✓ | ✓ |
| Intervention Required - Paper Jam | 4261w | X | X |
| Intervention Required - Paper Jam | 4261x | X | X |
| Intervention Required - Paper Jam | 427xz | X | X |
| Intervention Required - Paper Jam | 427zx | X | X |
| Intervention Required - Paper Jam | 4271 | X | X |
| Intervention Required - Paper Jam | 4271z | X | X |

w indicates that this message includes a letter indicating a door or cover that needs to be opened.
x represents the number of jammed pages in the printer.
y represents the tray number.
z represents the bin number.

| ✓ = Supported X = Not supported | Status code | Printer model | |
|------------------------------------|-------------|---------------|------------|
| | | C746, C748 | X746, X748 |
| Intervention Required - Paper Jam | 4272 | X | X |
| Intervention Required - Paper Jam | 4272z | X | X |
| Intervention Required - Paper Jam | 4273 | X | X |
| Intervention Required - Paper Jam | 4280w | X | X |
| Intervention Required - Paper Jam | 4280x | X | X |
| Intervention Required - Paper Jam | 4280z | X | X |
| Intervention Required - Paper Jam | 4281w | X | X |
| Intervention Required - Paper Jam | 4281x | X | X |
| Intervention Required - Paper Jam | 4281z | ✓ | ✓ |
| Intervention Required - Paper Jam | 4282w | X | X |
| Intervention Required - Paper Jam | 4282x | X | X |
| Intervention Required - Paper Jam | 4282z | X | X |
| Intervention Required - Paper Jam | 4283w | X | X |
| Intervention Required - Paper Jam | 4283x | X | X |
| Intervention Required - Paper Jam | 4283z | X | X |
| Intervention Required - Paper Jam | 4284w | X | X |

w indicates that this message includes a letter indicating a door or cover that needs to be opened.
x represents the number of jammed pages in the printer.
y represents the tray number.
z represents the bin number.

| ✓ = Supported X = Not supported | Status code | Printer model | |
|------------------------------------|-------------|---------------|------------|
| | | C746, C748 | X746, X748 |
| Intervention Required - Paper Jam | 4284x | X | X |
| Intervention Required - Paper Jam | 4284z | X | X |
| Intervention Required - Paper Jam | 4285w | X | X |
| Intervention Required - Paper Jam | 4285z | X | X |
| Intervention Required - Paper Jam | 4286w | X | X |
| Intervention Required - Paper Jam | 4286z | X | X |
| Intervention Required - Paper Jam | 4287 | X | X |
| Intervention Required - Paper Jam | 4287z | X | X |
| Intervention Required - Paper Jam | 4288 | X | X |
| Intervention Required - Paper Jam | 4288z | X | X |
| Intervention Required - Paper Jam | 4289 | X | X |
| Intervention Required - Paper Jam | 4289z | X | X |
| Intervention Required - Paper Jam | 4290 | X | X |
| Intervention Required - Paper Jam | 4291 | X | X |
| Intervention Required - Paper Jam | 4292 | X | X |
| Intervention Required - Paper Jam | 4293 | X | X |

w indicates that this message includes a letter indicating a door or cover that needs to be opened.
x represents the number of jammed pages in the printer.
y represents the tray number.
z represents the bin number.

| ✓ = Supported X = Not supported | | Printer model | |
|------------------------------------|-------------|---------------|------------|
| Message | Status code | C746, C748 | X746, X748 |
| Intervention Required - Paper Jam | 4294 | X | X |
| Intervention Required - Paper Jam | 4295 | X | X |

w indicates that this message includes a letter indicating a door or cover that needs to be opened.
x represents the number of jammed pages in the printer.
y represents the tray number.
z represents the bin number.

Service errors

| ✓ = Supported X = Not supported | | Printer model | |
|------------------------------------|------------|---------------|------------|
| Message | Error code | C746, C748 | X746, X748 |
| ALL SERVICE MESSAGES | 50000 | X | X |

Device attendance messages

| ✓ = Supported X = Not supported | | Printer model | |
|------------------------------------|--|---------------|------------|
| Message | | C746, C748 | X746, X748 |
| RDYMSG | | ✓ | ✓ |
| OPMSG | | ✓ | ✓ |
| STMSG | | ✓ | ✓ |

Lexmark-unique PJI commands

These commands are Lexmark extensions which have been added to the PJI command set to provide the user with remote control of many printer functions.

| ✓ = Supported X = Not supported | | Printer model | |
|------------------------------------|--|---------------|------------|
| Command | | C746, C748 | X746, X748 |
| Common file system commands | | | |
| • LFORMAT | | ✓ | ✓ |

| ✓ = Supported X = Not supported | Printer model | |
|-------------------------------------|---------------|------------|
| | C746, C748 | X746, X748 |
| • LDEFRAG | ✓ | ✓ |
| • LOPENFILE | ✓ | ✓ |
| • LCLOSEFILE | ✓ | ✓ |
| • LREADFILE | ✓ | ✓ |
| • LWRITEFILE | ✓ | ✓ |
| • LRUNFILE | ✓ | ✓ |
| • LRENAMEFILE | ✓ | ✓ |
| • LDELETEFILE | ✓ | ✓ |
| File and device protection commands | | |
| • LDECLARE | ✓ | ✓ |
| • LDELETEPASSWORD | ✓ | ✓ |
| • LQUERYSEED | ✓ | ✓ |
| • LBYPASSPASSWORD | ✓ | ✓ |
| LBEEP | ✓ | ✓ |
| LENGINEPRT | ✓ | ✓ |
| LENTERRTAILMODE | X | X |
| LESCAPECHAR | ✓ | ✓ |
| LEXITRETAILMODE | X | X |
| LFAX PHONENUMBER | X | ✓ |
| LFLASH | X | X |
| LINITIALIZEPRINTER | ✓ | ✓ |
| LPORTROTATE | ✓ | ✓ |
| LPRINT testpage | | |
| • LPRINTDIRECTORY | ✓ | ✓ |
| • LPRINTTESTPAGE | ✓ | ✓ |
| • LPRINTMENUS | ✓ | ✓ |
| • LPRINTPCLFONTS | ✓ | ✓ |

| ✓ = Supported X = Not supported | Printer model | |
|------------------------------------|---------------|------------|
| | C746, C748 | X746, X748 |
| • LPRINTPSFONTS | ✓ | ✓ |
| • LPRINTDIAG1TEST | ✓ | ✓ |
| • LPRINTDIAG2TEST | ✓ | ✓ |
| • LPRINTDIAG3TEST | ✓ | ✓ |
| LPROGRAM | X | X |
| LPROGRAMADAPTOR | ✓ | ✓ |
| LPROGRAMCOFF | ✓ | ✓ |
| LPROGRAMENG | ✓ | ✓ |
| LPROGRAMRIP | ✓ | ✓ |
| LWRITEOM | ✓ | ✓ |

Appendix C: PostScript support

Supplemental operators

| Operator name | Printer model | |
|-------------------------|---------------|------------|
| | C746, C748 | X746, X748 |
| appletalktype | ✓ | ✓ |
| buildtime | ✓ | ✓ |
| byteorder | ✓ | ✓ |
| checkpassword | ✓ | ✓ |
| currentfilenameextend | ✓ | ✓ |
| currentmanualduplexmode | ✓ | ✓ |
| currentuniversalsize | ✓ | ✓ |
| defaulttimeouts | x | x |
| deletefile | ✓ | ✓ |
| devcontrol | ✓ | ✓ |
| devdismount | ✓ | ✓ |
| devforall | ✓ | ✓ |
| devformat | ✓ | ✓ |
| devmount | ✓ | ✓ |
| devstatus | ✓ | ✓ |
| diskonline | ✓ | ✓ |
| diskstatus | ✓ | ✓ |
| displayoperatormsg | ✓ | ✓ |
| doidlefonts | ✓ | ✓ |
| dojamrecovery | ✓ | ✓ |
| doprinterrors | ✓ | ✓ |
| doret | x | x |
| dostartpage | ✓ | ✓ |

| ✓ = Supported X = Not supported | Printer model | |
|------------------------------------|---------------|------------|
| | C746, C748 | X746, X748 |
| dosysstart | ✓ | ✓ |
| duplexer | ✓ | ✓ |
| duplexmode | ✓ | ✓ |
| enginesync | ✓ | ✓ |
| file | ✓ | ✓ |
| filenameforall | ✓ | ✓ |
| fileposition | ✓ | ✓ |
| firstside | ✓ | ✓ |
| fontnonzerowinding | ✓ | ✓ |
| hardwareiomode | ✓ | ✓ |
| idlefonts | ✓ | ✓ |
| ignoresize | ✓ | ✓ |
| initializedisk | ✓ | ✓ |
| jobname | ✓ | ✓ |
| jobsources | ✓ | ✓ |
| jobtimeout | X | X |
| manualfeed | ✓ | ✓ |
| manualfeedtimeout | X | X |
| newsheet | ✓ | ✓ |
| pagecount | ✓ | ✓ |
| pagesprinted | ✓ | ✓ |
| papertray | ✓ | ✓ |
| printername | ✓ | ✓ |
| product | ✓ | ✓ |
| PS2fonts | ✓ | ✓ |
| PS3fonts | ✓ | ✓ |
| quiet | ✓ | ✓ |

| Operator name | Printer model | |
|---------------------|---------------|------------|
| | C746, C748 | X746, X748 |
| ramsize | ✓ | ✓ |
| realformat | ✓ | ✓ |
| renamefile | ✓ | ✓ |
| resolution | ✓ | ✓ |
| revision | ✓ | ✓ |
| sccbatch | ✓ | ✓ |
| sccinteractive | ✓ | ✓ |
| setcoverpage | x | x |
| setdefaulttimeouts | x | x |
| setdoidlefonts | ✓ | ✓ |
| setdojamrecovery | ✓ | ✓ |
| setdoprinterrors | ✓ | ✓ |
| setdoret | x | x |
| setdostartpage | ✓ | ✓ |
| setdosysstart | ✓ | ✓ |
| setduplexmode | ✓ | ✓ |
| setenginesync | ✓ | ✓ |
| setethernetaddress | ✓ | ✓ |
| setfilenameextend | ✓ | ✓ |
| setfileposition | ✓ | ✓ |
| sethardwareiomode | ✓ | ✓ |
| setidlefonts | ✓ | ✓ |
| setignoresize | ✓ | ✓ |
| setjobtimeout | x | x |
| setmanualduplexmode | ✓ | ✓ |
| setpapertray | ✓ | ✓ |
| setprintername | ✓ | ✓ |

| ✓ = Supported X = Not supported | Printer model | |
|------------------------------------|---------------|------------|
| | C746, C748 | X746, X748 |
| Operator name | | |
| setquiet | ✓ | ✓ |
| setresolution | ✓ | ✓ |
| setscbatch | ✓ | ✓ |
| setscinteractive | ✓ | ✓ |
| setsoftwareiomode | ✓ | ✓ |
| settumble | ✓ | ✓ |
| setuniversalsize | ✓ | ✓ |
| setuserdiskpercent | ✓ | ✓ |
| softwareiomode | ✓ | ✓ |
| tumble | ✓ | ✓ |
| userdiskpercent | ✓ | ✓ |
| waittimeout | X | X |

Page device parameters

| ✓ = Supported X = Not supported | Printer model | |
|------------------------------------|---------------|------------|
| | C746, C748 | X746, X748 |
| Key | | |
| BeginPage | ✓ | ✓ |
| Collate | ✓ | ✓ |
| DeferredMediaSelection | ✓ | ✓ |
| DeviceRenderingInfo | ✓ | ✓ |
| • Screening | X | X |
| - ColorGrade | X | X |
| - PictureGrade | X | X |
| - IET | X | X |
| - IETImagesOnly | X | X |
| - IETPictureGrade | X | X |
| - None | X | X |

| Key | Printer model | |
|---------------------------|---------------|------------|
| | C746, C748 | X746, X748 |
| • TonerSaver | X | X |
| • PictureGrade | X | X |
| • ImageEnhancement | ✓ | ✓ |
| • ImageEnhancementType | X | X |
| • PrintDarkness | ✓ | ✓ |
| • AutoMediaType | ✓ | ✓ |
| • EdgeToEdge | ✓ | ✓ |
| • DefaultPoliciesPageSize | X | X |
| • SubstituteSize | ✓ | ✓ |
| • LineDetail | ✓ | ✓ |
| • Type | ✓ | ✓ |
| • ColorCorrection | ✓ | ✓ |
| • ColorBalance | ✓ | ✓ |
| • ColorSaver | ✓ | ✓ |
| • ImageBrightness | X | X |
| • Imageess | ✓ | ✓ |
| • ImageContrast | ✓ | ✓ |
| • ImageSaturation | ✓ | ✓ |
| • ManualColor | ✓ | ✓ |
| • PrintQuality | X | X |
| Duplex | ✓ | ✓ |
| EndPage | ✓ | ✓ |
| ExitJamRecovery | ✓ | ✓ |
| HWRResolution | ✓ | ✓ |
| ImagingBBox | ✓ | ✓ |
| InputAttributes | ✓ | ✓ |
| • 0 - Tray 1 | ✓ | ✓ |

| Key | Printer model | |
|------------------------------------|---------------|------------|
| | C746, C748 | X746, X748 |
| ✓ = Supported X = Not supported | | |
| • 1 - Tray 2 | ✓ | ✓ |
| • 2 - Envelope Feeder | ✓ | ✓ |
| • 3 - Tray 3 | ✓ | ✓ |
| • 4 - Multipurpose Feeder | ✓ | ✓ |
| • 5 - Tray 4 | ✓ | ✓ |
| • 6 - Tray 5 | ✓ | ✓ |
| - PageSize | ✓ | ✓ |
| - MatchAll | ✓ | ✓ |
| - MediaColor | ✓ | ✓ |
| - MediaType | ✓ | ✓ |
| - MediaWeight | ✓ | ✓ |
| - InputLocation | ✓ | ✓ |
| • Mode | ✓ | ✓ |
| • Priority | ✓ | ✓ |
| Install | ✓ | ✓ |
| Jog | ✓ | ✓ |
| ManualFeed | ✓ | ✓ |
| ManualFeedTimeout | ✓ | ✓ |
| MediaColor | ✓ | ✓ |
| MediaPosition | ✓ | ✓ |
| MediaType | ✓ | ✓ |
| MediaWeight | ✓ | ✓ |
| NumCopies | ✓ | ✓ |
| Nup | ✓ | ✓ |
| NupDetails | ✓ | ✓ |
| • Rows | ✓ | ✓ |
| • Columns | ✓ | ✓ |

| Key | Printer model | |
|------------------------------------|---------------|------------|
| | C746, C748 | X746, X748 |
| ✓ = Supported X = Not supported | | |
| • Orientation | ✓ | ✓ |
| • Border | ✓ | ✓ |
| • Order | ✓ | ✓ |
| • Type | ✓ | ✓ |
| • LandscapeOverride | ✓ | ✓ |
| OutputAttributes | ✓ | ✓ |
| • 0 - Standard Bin | ✓ | ✓ |
| - OutputType | ✓ | ✓ |
| - OutputLocation | ✓ | ✓ |
| - PunchModesSupported | X | X |
| • 1 - Optional Bin 1 | X | X |
| • 2 - Optional Bin 2 | X | X |
| • 3 - Optional Bin 3 | X | X |
| • 4 - Optional Bin 4 | X | X |
| • 5 - Optional Bin 5 | X | X |
| • 6 - Optional Bin 6 | X | X |
| • 7 - Optional Bin 7 | X | X |
| • 8 - Optional Bin 8 | X | X |
| • 9 - Optional Bin 9 | X | X |
| • 10 - Optional Bin 10 | X | X |
| • Priority | ✓ | ✓ |
| OutputPage | ✓ | ✓ |
| OutputType | ✓ | ✓ |
| PageDeviceName | ✓ | ✓ |
| PageSize | ✓ | ✓ |
| Policies | ✓ | ✓ |
| • PageSize | ✓ | ✓ |
| • PolicyNotFound | ✓ | ✓ |

| Key | Printer model | |
|---|---------------|------------|
| | C746, C748 | X746, X748 |
| <ul style="list-style-type: none"> PolicyReport | ✓ | ✓ |
| PostRenderingEnhance | X | X |
| PostRenderingEnhanceDetails | X | X |
| <ul style="list-style-type: none"> REValue | X | X |
| <ul style="list-style-type: none"> Type | X | X |
| PowerSave | ✓ | ✓ |
| ProcessColorModel | ✓ | ✓ |
| Punch | X | X |
| SlipSheet | X | X |
| SlipSheetDetails | ✓ | ✓ |
| <ul style="list-style-type: none"> SlipSheetSource | ✓ | ✓ |
| <ul style="list-style-type: none"> Type | ✓ | ✓ |
| Staple | X | X |
| TraySwitch | ✓ | ✓ |
| Tumble | ✓ | ✓ |
| UniversalDetails | ✓ | ✓ |

User interpreter parameters

| Key | Default | Printer model | |
|------------------|---|---------------|------------|
| | | C746, C748 | X746, X748 |
| AccurateScreens | false | ✓ | ✓ |
| CollatedCopies | Collation - Collated Copies (QTY) value | ✓ | ✓ |
| HalftoneMode | 0 | ✓ | ✓ |
| IdiomRecognition | true | ✓ | ✓ |
| JobName | () | ✓ | ✓ |
| JobTimeout | JobTimeout system parameter | ✓ | ✓ |
| MaxDictStack | 255 | ✓ | ✓ |

| ✓ = Supported X = Not supported | | Printer model | |
|------------------------------------|------------------------------|---------------|------------|
| Key | Default | C746, C748 | X746, X748 |
| MaxExecStack | 10015 | ✓ | ✓ |
| MaxFontItem | 12500 | ✓ | ✓ |
| MaxFormItem | 100000 | ✓ | ✓ |
| MaxLocalVM | 2147483647 | ✓ | ✓ |
| MaxOpStack | 100000 | ✓ | ✓ |
| MaxPatternItem | 20000 | ✓ | ✓ |
| MaxScreenItem | 48000 | ✓ | ✓ |
| MaxSuperScreen | 1024 | ✓ | ✓ |
| MaxUPathItem | 5000 | ✓ | ✓ |
| MinFontCompress | 2147483647 | ✓ | ✓ |
| PageCount | 0 | ✓ | ✓ |
| UseOldcopypage | false | ✓ | ✓ |
| VMReclaim | 0 | ✓ | ✓ |
| VMThreshold | 25000 per MB of RAM | ✓ | ✓ |
| WaitTimeout | WaitTimeout system parameter | ✓ | ✓ |

System interpreter parameters

| ✓ = Supported X = Not supported | | Printer model | |
|------------------------------------|--|---------------|------------|
| Key | | C746, C748 | X746, X748 |
| BuildTime | | ✓ | ✓ |
| ByteOrder | | ✓ | ✓ |
| CurDisplayList | | ✓ | ✓ |
| CurFontCache | | ✓ | ✓ |
| CurFormCache | | ✓ | ✓ |
| CurInputDevice | | ✓ | ✓ |
| CurOutlineCache | | ✓ | ✓ |

| Key | Printer model | |
|-------------------------|---------------|------------|
| | C746, C748 | X746, X748 |
| CurOutputDevice | ✓ | ✓ |
| CurPatternCache | ✓ | ✓ |
| CurScreenStorage | ✓ | ✓ |
| CurSourceList | ✓ | ✓ |
| CurUPathCache | ✓ | ✓ |
| DisableFastProcs | ✓ | ✓ |
| DoPrintErrors | ✓ | ✓ |
| DoStartPage | ✓ | ✓ |
| EnableExtraFonts | ✓ | ✓ |
| EngineBoot | ✓ | ✓ |
| EngineCode | ✓ | ✓ |
| EngineSpeed | ✓ | ✓ |
| EnvironmentSave | ✓ | ✓ |
| FactoryDefaults | ✓ | ✓ |
| FatalErrorAddress | ✓ | ✓ |
| FontResourceDir | ✓ | ✓ |
| FontVersion | ✓ | ✓ |
| GenericResourceDir | ✓ | ✓ |
| GenericResourcePathSep | ✓ | ✓ |
| InstalledRam | ✓ | ✓ |
| JobTimeout | ✓ | ✓ |
| languagelevel | ✓ | ✓ |
| MaxDisplayList | ✓ | ✓ |
| MaxDisplayAndSourceList | ✓ | ✓ |
| MaxFontCache | ✓ | ✓ |
| MaxFormCache | ✓ | ✓ |
| MaxImageBuffer | ✓ | ✓ |

| Key | Printer model | |
|-------------------------|---------------|------------|
| | C746, C748 | X746, X748 |
| MaxOutlineCache | ✓ | ✓ |
| MaxPatternCache | ✓ | ✓ |
| MaxPermanentVM | ✓ | ✓ |
| MaxRasterMemory | ✓ | ✓ |
| MaxScreenStorage | ✓ | ✓ |
| MaxSourceList | ✓ | ✓ |
| MaxUPathCache | ✓ | ✓ |
| PageCount | ✓ | ✓ |
| PanelCode | ✓ | ✓ |
| PrinterCode | ✓ | ✓ |
| PrinterName | ✓ | ✓ |
| RamSize | ✓ | ✓ |
| RealFormat | ✓ | ✓ |
| Revision | ✓ | ✓ |
| SearchBuiltinFontsFirst | ✓ | ✓ |
| SerialNumber | ✓ | ✓ |
| StartJobPassword | ✓ | ✓ |
| StartupMode | ✓ | ✓ |
| StaticRamSize | ✓ | ✓ |
| SystemParamsPassword | ✓ | ✓ |
| UseOldcopypage | ✓ | ✓ |
| UseOldfonts | ✓ | ✓ |
| ValidNV | ✓ | ✓ |
| WaitTimeout | ✓ | ✓ |

Devices supported

| Device | Printer model | |
|---------------------|---------------|------------|
| | C746, C748 | X746, X748 |
| %AppSocketA% | ✓ | ✓ |
| %AppSocketB% | ✓ | ✓ |
| %AppSocketC% | ✓ | ✓ |
| %AppSocketD% | ✓ | ✓ |
| %CalendarA% | ✓ | ✓ |
| %CalendarB% | ✓ | ✓ |
| %CalendarC% | ✓ | ✓ |
| %CalendarD% | ✓ | ✓ |
| %Console% | ✓ | ✓ |
| %disk1% | ✓ | ✓ |
| %Engine% | ✓ | ✓ |
| %EthernetPhysicalA% | ✓ | ✓ |
| %EthernetPhysicalB% | ✓ | ✓ |
| %EthernetPhysicalC% | ✓ | ✓ |
| %EthernetPhysicalD% | ✓ | ✓ |
| %EtherTalkA% | ✓ | ✓ |
| %EtherTalkB% | ✓ | ✓ |
| %EtherTalkC% | ✓ | ✓ |
| %EtherTalkD% | ✓ | ✓ |
| %flash1% | ✓ | ✓ |
| %IP_A% | ✓ | ✓ |
| %IP_B% | ✓ | ✓ |
| %IP_C% | ✓ | ✓ |
| %IP_D% | ✓ | ✓ |
| %IR_A% | ✓ | ✓ |

| Device | Printer model | |
|------------------|---------------|------------|
| | C746, C748 | X746, X748 |
| %IR_B% | ✓ | ✓ |
| %IR_C% | ✓ | ✓ |
| %IR_D% | ✓ | ✓ |
| %LexLinkA% | X | X |
| %LexLinkB% | X | X |
| %LexLinkC% | X | X |
| %LexLinkD% | X | X |
| %LocalTalkA% | ✓ | ✓ |
| %LocalTalkB% | ✓ | ✓ |
| %LocalTalkC% | ✓ | ✓ |
| %LocalTalkD% | ✓ | ✓ |
| %LPR_A% | ✓ | ✓ |
| %LPR_B% | ✓ | ✓ |
| %LPR_C% | ✓ | ✓ |
| %LPR_D% | ✓ | ✓ |
| %ParallelA% | ✓ | ✓ |
| %ParallelB% | ✓ | ✓ |
| %ParallelC% | ✓ | ✓ |
| %ParallelD% | ✓ | ✓ |
| %PrintServerA% | X | X |
| %PrintServerB% | X | X |
| %PrintServerC% | X | X |
| %PrintServerD% | X | X |
| %PrinterServerA% | ✓ | ✓ |
| %PrinterServerB% | ✓ | ✓ |
| %PrinterServerC% | ✓ | ✓ |
| %PrinterServerD% | ✓ | ✓ |
| %RemotePrinterA% | ✓ | ✓ |

| ✓ = Supported X = Not supported | Printer model | |
|------------------------------------|---------------|------------|
| | C746, C748 | X746, X748 |
| %RemotePrinterB% | ✓ | ✓ |
| %RemotePrinterC% | ✓ | ✓ |
| %RemotePrinterD% | ✓ | ✓ |
| %rom% | ✓ | ✓ |
| %SerialA% | ✓ | ✓ |
| %SerialB% | ✓ | ✓ |
| %SerialC% | ✓ | ✓ |
| %SerialD% | ✓ | ✓ |
| %TokenRingPhysicalA% | ✓ | ✓ |
| %TokenRingPhysicalB% | ✓ | ✓ |
| %TokenRingPhysicalC% | ✓ | ✓ |
| %TokenRingPhysicalD% | ✓ | ✓ |
| %TokenTalkA% | ✓ | ✓ |
| %TokenTalkB% | ✓ | ✓ |
| %TokenTalkC% | ✓ | ✓ |
| %TokenTalkD% | ✓ | ✓ |
| %USB_A% | ✓ | ✓ |
| %USB_B% | ✓ | ✓ |
| %USB_C% | ✓ | ✓ |
| %USB_D% | ✓ | ✓ |

Device parameters

| ✓ = Supported X = Not supported | Printer model | |
|--|---------------|------------|
| | C746, C748 | X746, X748 |
| Device Parameters for the Communication Device %Parallel%, %ParalleIA%, %ParalleIB%, %ParalleIC%, %ParalleID% | | |
| DelayedOutputClose | ✓ | ✓ |

| Key | Printer model | |
|--|---------------|------------|
| | C746, C748 | X746, X748 |
| Enabled | ✓ | ✓ |
| Filtering | ✓ | ✓ |
| Handshake | ✓ | ✓ |
| HasNames | ✓ | ✓ |
| Interpreter | ✓ | ✓ |
| On | ✓ | ✓ |
| OutputDevice | ✓ | ✓ |
| PCLSmartSwitch | ✓ | ✓ |
| PortLocation | ✓ | ✓ |
| PSSmartSwitch | ✓ | ✓ |
| Type | ✓ | ✓ |
| Device Parameters for the Communication Device %Serial%, %SerialA%, %SerialB%, %SerialC%, %SerialD% | | |
| Baud | ✓ | ✓ |
| CheckParity | ✓ | ✓ |
| DataBits | ✓ | ✓ |
| DelayedOutputClose | ✓ | ✓ |
| Enabled | ✓ | ✓ |
| Filtering | ✓ | ✓ |
| FlowControl | ✓ | ✓ |
| HasNames | ✓ | ✓ |
| HonorDSR | ✓ | ✓ |
| Interpreter | ✓ | ✓ |
| On | ✓ | ✓ |
| Parity | ✓ | ✓ |
| PCLSmartSwitch | ✓ | ✓ |
| PortLocation | ✓ | ✓ |
| PSSmartSwitch | ✓ | ✓ |

| ✓ = Supported X = Not supported | Printer model | |
|---|---------------|------------|
| | C746, C748 | X746, X748 |
| Key | | |
| RobustXon | ✓ | ✓ |
| SerialMode | ✓ | ✓ |
| StopBits | ✓ | ✓ |
| Type | ✓ | ✓ |
| Device Parameters for the Communication Device %LocalTalk%, %LocalTalkA%, %LocalTalkB%, %LocalTalkC%, %LocalTalkD% | | |
| DelayedOutputClose | ✓ | ✓ |
| Enabled | ✓ | ✓ |
| Filtering | ✓ | ✓ |
| HasNames | ✓ | ✓ |
| Interpreter | ✓ | ✓ |
| LocalTalkType | ✓ | ✓ |
| NodeID | ✓ | ✓ |
| On | ✓ | ✓ |
| PCLSmartSwitch | ✓ | ✓ |
| PortLocation | ✓ | ✓ |
| PSSmartSwitch | ✓ | ✓ |
| Type | ✓ | ✓ |
| Device Parameters for the Communication Device %EtherTalk%, %EtherTalkA%, %EtherTalkB%, %EtherTalkC%, %EtherTalkD% | | |
| DelayedOutputClose | ✓ | ✓ |
| Enabled | ✓ | ✓ |
| EthernetAddress | ✓ | ✓ |
| EtherTalkType | ✓ | ✓ |
| EtherTalkZone | ✓ | ✓ |
| Filtering | ✓ | ✓ |
| HasNames | ✓ | ✓ |
| Interpreter | ✓ | ✓ |

| Key | Printer model | |
|---|---------------|------------|
| | C746, C748 | X746, X748 |
| NodeID | ✓ | ✓ |
| On | ✓ | ✓ |
| PCLSmartSwitch | ✓ | ✓ |
| PortLocation | ✓ | ✓ |
| PSSmartSwitch | ✓ | ✓ |
| Type | ✓ | ✓ |
| Device Parameters for the Communication Device %IR%, %IR_A%, %IR_B%, %IR_C%, %IR_D% | | |
| DelayedOutputClose | ✓ | ✓ |
| Enabled | ✓ | ✓ |
| Filtering | ✓ | ✓ |
| HasNames | ✓ | ✓ |
| Interpreter | ✓ | ✓ |
| On | ✓ | ✓ |
| PCLSmartSwitch | ✓ | ✓ |
| PortLocation | ✓ | ✓ |
| PSSmartSwitch | ✓ | ✓ |
| Type | ✓ | ✓ |
| Device Parameters for the Communication Device %USB%, %USB_A%, %USB_B%, %USB_C%, %USB_D% | | |
| DelayedOutputClose | ✓ | ✓ |
| Enabled | ✓ | ✓ |
| Filtering | ✓ | ✓ |
| HasNames | ✓ | ✓ |
| Interpreter | ✓ | ✓ |
| On | ✓ | ✓ |
| PCLSmartSwitch | ✓ | ✓ |
| PortLocation | ✓ | ✓ |
| PSSmartSwitch | ✓ | ✓ |

| Key | Printer model | |
|---|---------------|------------|
| | C746, C748 | X746, X748 |
| Type | ✓ | ✓ |
| Device Parameters for the Communication Device %TokenTalk%, %TokenTalkA%, %TokenTalkB%, %TokenTalkC%, %TokenTalkD% | | |
| Address | ✓ | ✓ |
| Bridging | ✓ | ✓ |
| DelayedOutputClose | ✓ | ✓ |
| Enabled | ✓ | ✓ |
| Filtering | ✓ | ✓ |
| HasNames | ✓ | ✓ |
| Interpreter | ✓ | ✓ |
| NodeID | ✓ | ✓ |
| On | ✓ | ✓ |
| PCLSmartSwitch | ✓ | ✓ |
| PortLocation | ✓ | ✓ |
| PSSmartSwitch | ✓ | ✓ |
| TokenTalkType | ✓ | ✓ |
| Type | ✓ | ✓ |
| Zone | ✓ | ✓ |
| Device Parameters for the Communication Device %AppSocket%, %AppSocketA%, %AppSocketB%, %AppSocketC%, %AppSocketD% | | |
| DelayedOutputClose | ✓ | ✓ |
| Enabled | ✓ | ✓ |
| Filtering | ✓ | ✓ |
| HasNames | ✓ | ✓ |
| Interpreter | ✓ | ✓ |
| On | ✓ | ✓ |
| PortLocation | ✓ | ✓ |
| Type | ✓ | ✓ |

| Key | Printer model | |
|---|---------------|------------|
| | C746, C748 | X746, X748 |
| ✓ = Supported | | |
| X = Not supported | | |
| Device Parameters for the Communication Device %RemotePrinter%, %RemotePrinterA%, %RemotePrinterB%, %RemotePrinterC%, %RemotePrinterD% | | |
| DelayedOutputClose | ✓ | ✓ |
| Enabled | ✓ | ✓ |
| Filtering | ✓ | ✓ |
| HasNames | ✓ | ✓ |
| Interpreter | ✓ | ✓ |
| On | ✓ | ✓ |
| PortLocation | ✓ | ✓ |
| Type | ✓ | ✓ |
| Device Parameters for the Communication Device %PrintServer%, PrintServerA%, PrintServerB%, %PrintServerC%, %PrintServerD% | | |
| DelayedOutputClose | ✓ | ✓ |
| Enabled | ✓ | ✓ |
| Filtering | ✓ | ✓ |
| HasNames | ✓ | ✓ |
| Interpreter | ✓ | ✓ |
| On | ✓ | ✓ |
| PortLocation | ✓ | ✓ |
| Type | ✓ | ✓ |
| Device Parameters for the Communication Device %LPR%, %LPR_A%, %LPR_B%, %LPR_C%, %LPR_D% | | |
| Enabled | ✓ | ✓ |
| Filtering | ✓ | ✓ |
| HasNames | ✓ | ✓ |
| Interpreter | ✓ | ✓ |
| On | ✓ | ✓ |
| PortLocation | ✓ | ✓ |
| Type | ✓ | ✓ |

| Key | Printer model | |
|---|---------------|------------|
| | C746, C748 | X746, X748 |
| ✓ = Supported | | |
| X = Not supported | | |
| Device Parameters for the Communication Device %LexLink%, %LexLinkA%, %LexLinkB%, %LexLinkC%, %LexLinkD% | | |
| DelayedOutputClose | X | X |
| Enabled | X | X |
| HasNames | X | X |
| Interpreter | X | X |
| On | X | X |
| PortLocation | X | X |
| Type | X | X |
| Device Parameters for the Communication Device %IP%, %IP_A%, %IP_B%, %IP_C%, %IP_D% | | |
| GatewayAddress | ✓ | ✓ |
| IPAddress | ✓ | ✓ |
| IPAddressDynamic | ✓ | ✓ |
| NetworkMask | ✓ | ✓ |
| On | ✓ | ✓ |
| Physical | ✓ | ✓ |
| PortLocation | ✓ | ✓ |
| Type | ✓ | ✓ |
| Device Parameters for the Communication Device %EthernetPhysical%, %EthernetPhysicalA%, %EthernetPhysicalB%, %EthernetPhysicalC%, %EthernetPhysicalD% | | |
| EthernetAddress | ✓ | ✓ |
| On | ✓ | ✓ |
| PortLocation | ✓ | ✓ |
| Type | ✓ | ✓ |
| Device Parameters for the Communication Device %TokenRingPhysical%, %TokenRingPhysicalA%, %TokenRingPhysicalB%, %TokenRingPhysicalC%, %TokenRingPhysicalD% | | |
| Address | ✓ | ✓ |
| On | ✓ | ✓ |
| PortLocation | ✓ | ✓ |
| Speed | ✓ | ✓ |

| Key | Printer model | |
|---|---------------|------------|
| | C746, C748 | X746, X748 |
| Type | ✓ | ✓ |
| Device Parameters for the Parameters Device %Engine% | | |
| BSizeStandard | ✓ | ✓ |
| Darkness | x | x |
| PageCount | ✓ | ✓ |
| TimeToStandby | ✓ | ✓ |
| Type | ✓ | ✓ |
| Device Parameters for the Parameters Device %Console% | | |
| Language | ✓ | ✓ |
| Type | ✓ | ✓ |
| Device Parameters for the Parameters Device %Calendar%, %CalendarA%, %CalendarB%, %CalendarC%, %CalendarD% | | |
| Day | ✓ | ✓ |
| Hour | ✓ | ✓ |
| Minute | ✓ | ✓ |
| Month | ✓ | ✓ |
| Running | ✓ | ✓ |
| Second | ✓ | ✓ |
| Type | ✓ | ✓ |
| Year | ✓ | ✓ |
| DateTime | ✓ | ✓ |
| DayOfWeekLong | ✓ | ✓ |
| DayOfWeekNum | ✓ | ✓ |
| DayOfWeekShort | ✓ | ✓ |
| Device Parameters for the Parameters Device %disk1% | | |
| BlockSize | ✓ | ✓ |
| Free | ✓ | ✓ |
| HasNames | ✓ | ✓ |

| ✓ = Supported X = Not supported | Printer model | |
|---|---------------|------------|
| | C746, C748 | X746, X748 |
| InitializeAction | ✓ | ✓ |
| LogicalSize | ✓ | ✓ |
| Mounted | ✓ | ✓ |
| PhysicalSize | ✓ | ✓ |
| Removable | ✓ | ✓ |
| Searchable | ✓ | ✓ |
| SearchOrder | ✓ | ✓ |
| Type | ✓ | ✓ |
| Writeable | ✓ | ✓ |
| Device Parameters for the Parameters Device %flash1% | | |
| BlockSize | ✓ | ✓ |
| Free | ✓ | ✓ |
| HasNames | ✓ | ✓ |
| InitializeAction | ✓ | ✓ |
| LogicalSize | ✓ | ✓ |
| Mounted | ✓ | ✓ |
| PhysicalSize | ✓ | ✓ |
| Removable | ✓ | ✓ |
| Searchable | ✓ | ✓ |
| SearchOrder | ✓ | ✓ |
| Type | ✓ | ✓ |
| Writeable | ✓ | ✓ |
| Device Parameters for the Parameters Device %rom% | | |
| BlockSize | ✓ | ✓ |
| Free | ✓ | ✓ |
| HasNames | ✓ | ✓ |
| InitializeAction | ✓ | ✓ |

| ✓ = Supported X = Not supported | Printer model | |
|------------------------------------|---------------|------------|
| | C746, C748 | X746, X748 |
| LogicalSize | ✓ | ✓ |
| Mounted | ✓ | ✓ |
| PhysicalSize | ✓ | ✓ |
| Removable | ✓ | ✓ |
| Searchable | ✓ | ✓ |
| SearchOrder | ✓ | ✓ |
| Type | ✓ | ✓ |
| Writeable | ✓ | ✓ |

PostScript message keys commands

| ✓ = Supported X = Not supported | Printer model | |
|------------------------------------|---------------|------------|
| | C746, C748 | X746, X748 |
| job | ✓ | ✓ |
| status | ✓ | ✓ |
| source | ✓ | ✓ |

Index

A

- air temperature ranges
 - cartridges 22
 - print quality assurance 21
 - printer with cartridges 21
- airflow requirement 18
- altitude specifications 22
- ambient operating environment 22
- atmospheric pressure 22

C

- clearance requirements 21
- commands
 - PJL, Lexmark-unique 80
 - PostScript, message keys 105
- commands supported
 - GL/2 29
 - PJL, common variables for both languages 32
 - PJL, Lexmark-unique variables for LRESOURCE 45
 - PJL, Lexmark-unique variables for PCL emulation 44
 - PJL, Lexmark-unique variables for PostScript emulation 45
 - PJL, Status Readback 45
 - PJL, unique variables for both languages 34
 - PJL, USTATUS variables 46
- commands, supported
 - PCL emulation 23
 - PJL, common variables for PCL emulation 44
 - PJL, common variables for PostScript emulation 45

D

- devices supported
 - PostScript 94
- dimensions, printer 20

E

- electrical specifications 19
- envelope sizes
 - support in PostScript 15
- envelope sizes supported
 - Lexmark C746 10

- Lexmark C748 10
- Lexmark X746 10
- Lexmark X748 10
 - multi-function printer 10
 - single-function printer 10
- envelope tray support
 - PostScript operators 16
- environmental conditions 21
- errors
 - PJL, service 80

F

- finding more information about the printer 7

G

- GL/2
 - commands supported 29

H

- humidity ranges 22

L

- letter meanings 5
- logical page
 - PCL emulation 9

M

- meanings, letters after model number 5
- messages
 - PJL, attendance conditions 53
 - PJL, auto-continuable conditions 46
 - PJL, device attendance 80
 - PJL, paper handling 70
 - PJL, paper jams 74
- model numbers
 - understanding letters 5

N

- noise emission levels 18

O

- operators, envelope sizes
 - PostScript 15

P

- page, printable
 - PCL emulation 9
- paper sizes supported
 - Lexmark C746 10
 - Lexmark C748 10
 - Lexmark X746 10
 - Lexmark X748 10
 - multi-function printer 10
 - single-function printer 10
- paper sizes, PostScript
 - supported by printer 13
- paper tray
 - operators, PostScript 14, 15
 - support in PostScript 14
- parameters
 - PostScript, device 96
 - PostScript, page device 86
 - PostScript, system interpreter 91
 - PostScript, user interpreter 90
- PCL emulation
 - supported commands 23
- PCL emulation, paper and envelope dimensions
 - Lexmark C746 10
 - Lexmark C748 10
 - Lexmark X746 10
 - Lexmark X748 10
 - multi-function printer 10
 - single-function printer 10
- physical page
 - PCL emulation 9
- physical specifications 20
- PJL commands
 - common variables, both languages 32
 - common variables, PCL emulation 44
 - common variables, PostScript emulation 45
 - Lexmark-unique 80
 - Lexmark-unique variables, LRESOURCE 45
 - Lexmark-unique variables, PCL emulation 44
 - Lexmark-unique variables, PostScript emulation 45
 - Status Readback 45

- unique variables, both
 - languages 34
 - USTATUS variables 46
- PJL commands, information
- location
 - Printer Languages and Interfaces
 - Technical Reference 12
- PJL errors
 - service errors 80
- PJL messages
 - attendance conditions 53
 - auto-continuable conditions 46
 - device attendance 80
 - paper handling 70
 - paper jams 74
- PostScript
 - device parameters 96
 - devices supported 94
 - operators, envelope sizes 15
 - page device parameters 86
 - supplemental operators 83
 - supported paper sizes 13
 - tray operators 14
- PostScript commands
 - message keys 105
- PostScript operators
 - envelope tray support 16
- PostScript parameters
 - system interpreter 91
 - user interpreter 90
- power requirements 20
- printable areas 9
- printer dimensions 20
- printer information
 - where to find 7
- printer specifications
 - airflow requirement 18
 - altitude 22
 - atmospheric pressure 22
 - clearance requirements 21
 - electrical 19
 - environmental conditions 21
 - noise emission levels 18
 - power requirements 20
- publications
 - where to find 7

R

- required clearance 21

S

- size, printer 20
- supplemental operators
 - PostScript 83

T

- tray operators
 - PostScript 14

W

- weight, printer 20

Free Manuals Download Website

<http://myh66.com>

<http://usermanuals.us>

<http://www.somanuals.com>

<http://www.4manuals.cc>

<http://www.manual-lib.com>

<http://www.404manual.com>

<http://www.luxmanual.com>

<http://aubethermostatmanual.com>

Golf course search by state

<http://golfingnear.com>

Email search by domain

<http://emailbydomain.com>

Auto manuals search

<http://auto.somanuals.com>

TV manuals search

<http://tv.somanuals.com>