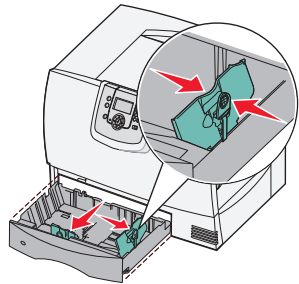


Quick Reference Lexmark™ X782

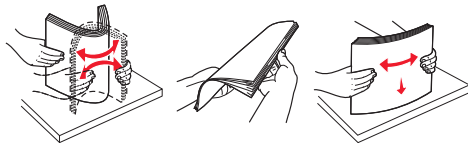
Loading paper and specialty media

Loading 500-sheet trays

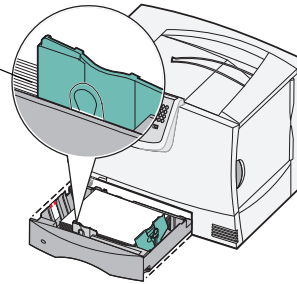
- 1 Remove the tray and place it on a flat, level surface.
- 2 Squeeze the front guide lever and slide the guide to the front of the tray.



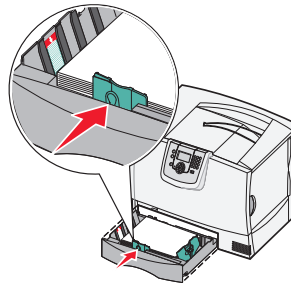
- 3 Squeeze the side guide lever and slide the guide to the correct position for the size paper you are loading. Icons along the back of the tray indicate paper sizes.
- 4 Flex the sheets back and forth to loosen them, and then fan them. Do not fold or crease the paper. Straighten the edges of the stack on a level surface.



- 5 Place the paper in the tray as shown, print side down. Do not load bent or wrinkled paper. Maximum stack height indicator



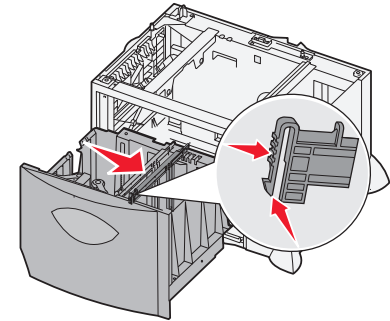
- 6 Squeeze the front guide lever and slide the guide until it firmly touches the stack of paper.



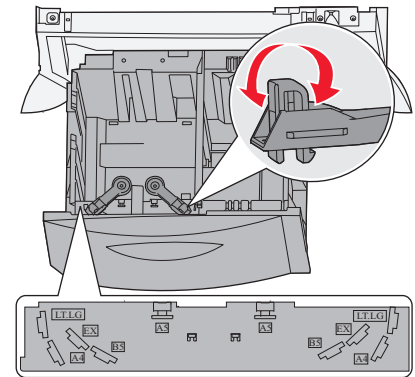
- 7 Reinstall the tray.
- 8 Make sure the tray is pushed completely into the printer.

Loading the 2000-sheet tray

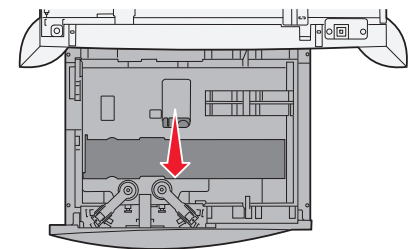
- 1 Pull open the tray.
- 2 Squeeze the side guide lever, lift the guide, and place it into the appropriate slot for the size paper you are loading.



- 3 Squeeze the two front guide levers and slide the guide to the correct position for the size paper you are loading.



- 4 Slide the bottom support toward the front of the tray until it touches the front guide.



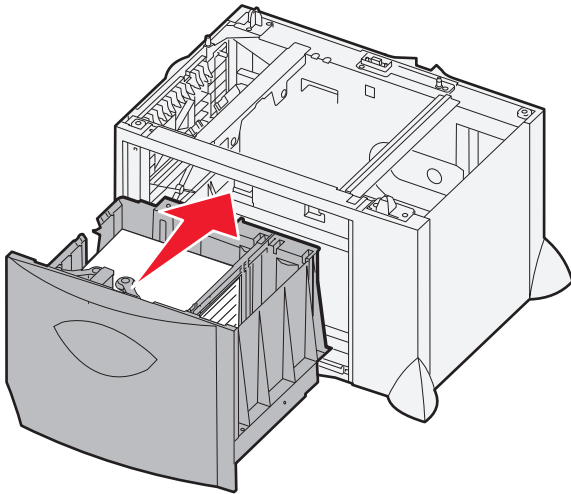
- 5** Flex the sheets back and forth to loosen them, and then fan them.

Do not fold or crease the paper. Straighten the edges of the stack on a level surface.



- 6** Place the paper against the back left corner of the tray, print side down.

Do not load bent or wrinkled print media.

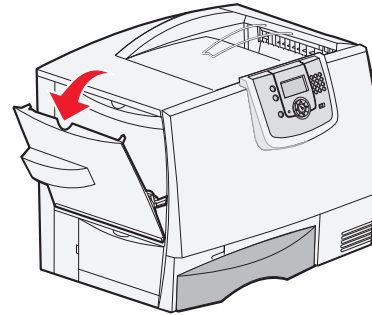


- 7** Close the tray.

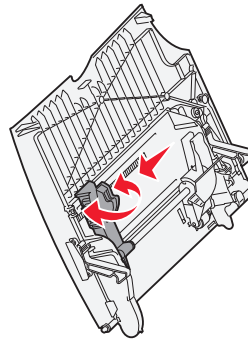
Make sure the tray is pushed completely into the printer. Do not exceed the maximum stack height. Overfilling the tray may cause paper jams.

Loading the multipurpose feeder

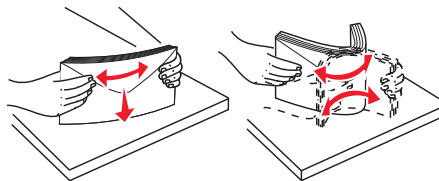
- 1** Open the multipurpose feeder.



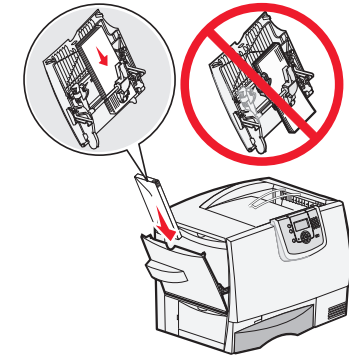
- 2** Squeeze the paper guide lever and slide the guide all the way toward the front of the printer.



- 3** Flex the specialty media back and forth to loosen the stack, and then fan the stack. Do not fold or crease the media. Straighten the edges of the stack on a level surface.



- 4** Arrange the stack of paper or specialty media correctly for the size, type, and print method you are using.

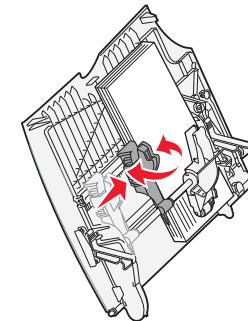


- 5** Place the paper or specialty media, print side up, along the left side of the multipurpose feeder, and then push it in as far as it will easily go.

Do not force the media.

Note: Do not exceed the maximum stack height. Overfilling the feeder may cause jams.

- 6** Squeeze the paper guide lever and slide the guide until it lightly touches the side of the stack.



- 7** If you are loading a different type of media than was previously loaded in the tray, change the Paper Type setting for that tray on the operator panel.

Copying

Making a copy

- 1 Place the original document faceup in the automatic document feeder (ADF) or facedown on the flatbed.

Adjust the paper guides when using the ADF.

- 2 Press **Go** on the numeric pad.

Note: If an LDSS profile has been installed, you may receive an error when attempting a quick copy. Contact your system support person for access.

Copying using the ADF

- 1 Place the original document faceup in the automatic document feeder.
- 2 Adjust the paper guides when using the ADF.
- 3 Touch **Copy** on the home screen, or use the numeric keypad to specify the number of copies you want.

After touching Copy or entering the number of copies, the touch screen will automatically change to the copy settings menu.

- 4 Change the copy options to meet your requirements.
- 5 Touch **Copy It**.

Copying using the scanner glass

- 1 Open the document cover.
- 2 Place the document facedown on the scanner glass.
- 3 Close the document cover.
- 4 Touch **Copy** on the home screen, or press **Go** on the numeric pad.

For **Copy**, continue with step 5.

For **Go**, proceed with step 8.

- 5 Set the number of copies.
- 6 Change the copy options to meet your requirements.
- 7 Touch **Copy It**.
- 8 Touch **Scan Next** if you have more pages to scan, or touch **Finish the Job** if you are done.
Touching **Finish the Job** returns the printer to the copy screen.
- 9 Touch **Home** when you are finished.

Copying from one size to another

- 1 Place your original document in the automatic document feeder faceup, short-edge first.
- 2 Adjust the paper guides.
- 3 Touch **Copy** on the home screen.
- 4 Touch **Copy from:**, and then identify the size of your original document.
For example, Legal.
- 5 Touch **Copy to:**, and then select the size you want the copy to be.

Note: If you select a paper size that is different from the "Copy from" size, the printer will scale the size automatically.

- 6 Touch **Copy It**.

Coping a document that contains mixed Paper sizes

You can place mixed-sized original documents in the ADF and then copy them. Depending on the paper size loaded in the trays, the scanner will print on the same size media or scale the document to fit the media in the tray.

Example 1: the MFP has two paper trays, one tray loaded with letter and the other with legal paper. A document mixed with letter and legal pages needs to be copied.

- 1 Place your original document in the ADF face up. Labels on the ADF show how to load the paper based on its size.
- 2 Adjust the paper guides.
- 3 Touch **Copy** on the home screen.
- 4 Touch **Copy From**, and then touch **Mixed Sizes**.
- 5 Touch **Copy To**, and then touch **Auto Size Match**.
- 6 Touch **Copy It**.

The scanner will identify the different size pages as they scan, and then print them on the correct size paper.

Example 2: the MFP has one paper tray, loaded with letter-size paper. A document mixed with letter and legal pages needs to be copied.

- 1 Place your original document in the ADF face up. Labels on the ADF show how to load the paper based on its size.
- 2 Adjust the paper guides.
- 3 Touch **Copy** on the home screen.
- 4 Touch **Copy From**, and then touch **Mixed Sizes**.
- 5 Touch **Copy It**.

The scanner will identify the different size pages as they scan, and then scale the legal size pages to print on letter size paper.

Copying on both sides of the Paper

- 1 Place your original document in the automatic document feeder faceup, short-edge first.
- 2 Adjust the paper guides.
- 3 Touch **Copy** on the home screen.
- 4 Touch the button that looks the way you want your copies duplexed.

The first number represents sides of the original documents; the second number represents sides of the copy.

For example, select 1 --> 2-sided if you have 1-sided original documents and you want 2-sided copies.

5 Touch Copy It.

Copying multiple pages onto a single sheet

- 1 Place your original document in the automatic document feeder faceup, short-edge first.
- 2 Adjust the paper guides.
- 3 Touch **Copy** on the home screen.
- 4 Make your duplex choice.
- 5 Touch **Options**.
- 6 Touch **Paper Saver**.
- 7 Select the output you want.

For example, if you have four portrait-oriented original documents that you want copied to the same side of one sheet, touch **4 on 1 Portrait**.

- 8 Touch **Print Page Borders** if you want a box drawn around each page on the copies.
- 9 Touch **Copy It**.

Faxing

Sending a fax

- 1 Place your original document in the automatic document feeder faceup, short-edge first.
- 2 Adjust the paper guides.
- 3 Touch **Fax** on the home screen.
- 4 Enter the fax number using the numbers on the touch screen or keypad.

Add recipients by touching next and then entering the recipient's telephone number or shortcut number, or search the address book.

Note: To place a two-second dialing pause within a fax number, use the Dial Pause button.



The dial pause will appear as a comma in the Fax to: box. Use this feature if you need to dial an outside line first.

5 Touch Fax It.

Printing

Printing a document

- 1 Open the file you want to print.
- 2 From the File menu, select **Print**.
- 3 Verify that the correct printer is selected in the dialog box.
- 4 Modify the printer settings as appropriate (such as the pages you want to print or the number of copies).

Note: Click **Properties** or **Setup** to adjust printer settings not available from the first screen, and click **OK**.

- 5 Click **OK** or **Print** to send the job to the selected printer.

Printing a confidential job

- 1 With the file open, select **File** → **Print**.
- 2 Click **Properties**. (If there is no Properties button, click **Setup**, and then click **Properties**.)
- 3 Depending on the operating system, you may have to click the **Other Options** tab, and then click **Print and Hold**.
- 4 Enter a User Name and PIN.
- 5 Send your job to the printer.

Go to the printer when you are ready to retrieve your confidential print job.

6 Touch Held jobs on the home screen.

7 Touch your user name.

Note: If your name does not appear, touch the down arrow until your name appears, or touch **Search Held Jobs** if there are a large number of held jobs in the printer.

8 Select Confidential Jobs.

9 Enter your PIN.

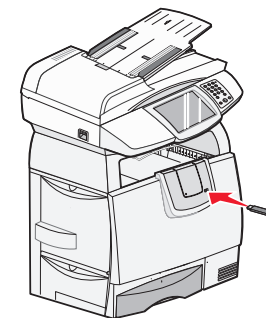
10 Touch the job you want to print.

11 Touch Print, or touch **+** to input the number of copies, and then touch **Print**.

Note: After your job prints, it is deleted from printer memory.

Printing from a USB flash device

- 1 Make sure the MFP is on and **Ready** or **Busy** appears.
- 2 Insert a USB flash memory device into the USB Direct interface.



- 3 Touch the arrow next to the document you want to print.

A screen asking the number of copies to be printed will appear.

- 4 To print only one copy, touch **Print**, or touch **+** to enter the number of copies.

Note: Do not remove the USB flash memory device from the USB Direct

interface until the document has finished printing.

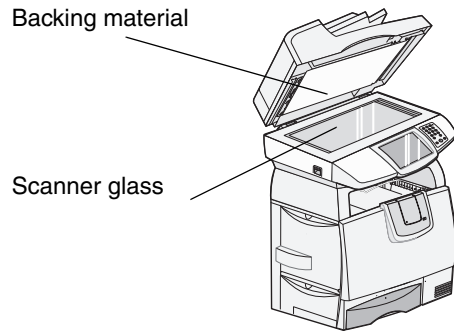
Canceling a job from the printer control panel

If the job is formatting, scanning, or already printing, touch **Cancel Job** on the display.

Maintaining the printer

Cleaning the scanner glass and backing material

- 1 Open the document cover.
- 2 Dampen a clean, lint-free cloth or cotton swab with isopropyl alcohol (95%).
- 3 Wipe the scanner glass and backing material by moving the cloth or swab from side to side.



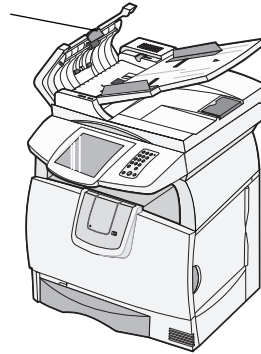
- 4 Close the document cover.

Cleaning the automatic document feeder

- 1 Open the ADF document cover.
- 2 Dampen a clean, lint-free cloth or cotton swab with isopropyl alcohol (95%).
- 3 Wipe the feed roller by moving the cloth or swab from side to side.

- 4 Rotate the roller forward with your finger, and repeat step 3 until the entire roller is cleaned.

Roller



- 5 Close the document cover.

Free Manuals Download Website

<http://myh66.com>

<http://usermanuals.us>

<http://www.somanuals.com>

<http://www.4manuals.cc>

<http://www.manual-lib.com>

<http://www.404manual.com>

<http://www.luxmanual.com>

<http://aubethermostatmanual.com>

Golf course search by state

<http://golfingnear.com>

Email search by domain

<http://emailbydomain.com>

Auto manuals search

<http://auto.somanuals.com>

TV manuals search

<http://tv.somanuals.com>