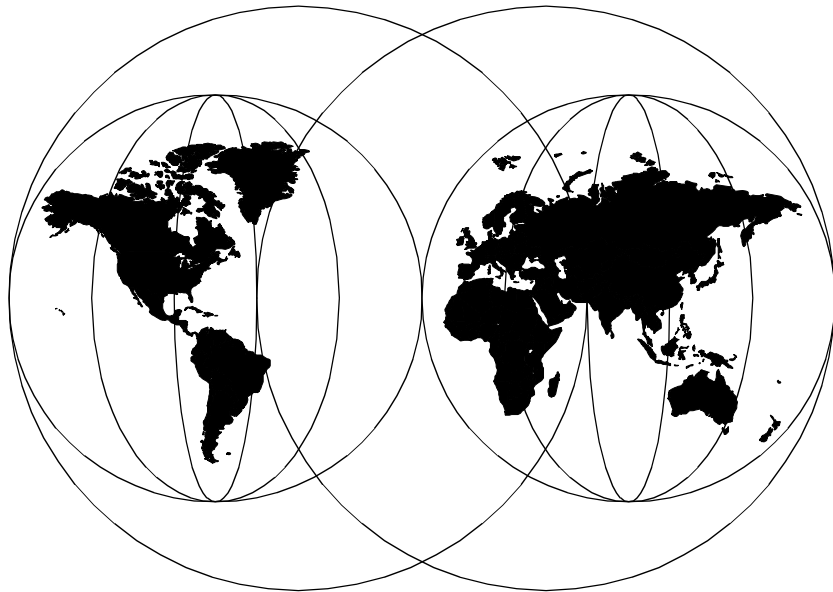


IBM 9077 SP Switch Router: Get Connected to the SP Switch

Hajo Kitzhöfer, Steffen Eisenblätter, Uwe Untermarzoner



International Technical Support Organization

<http://www.redbooks.ibm.com>

SG24-5157-00



International Technical Support Organization

**IBM 9077 SP Switch Router:
Get Connected to the SP Switch**

November 1998

Take Note!

Before using this information and the product it supports, be sure to read the general information in Appendix D, "Special Notices" on page 305.

First Edition (November 1998)

This edition applies to PSSP Version 2, Release 4 for use with AIX 4.3.1 and Ascend Embedded/OS Version 1.4.6.4.

Comments may be addressed to:

IBM Corporation, International Technical Support Organization
Dept. HYJ Mail Station P099
522 South Road
Poughkeepsie, New York 12601-5400

When you send information to IBM, you grant IBM a non-exclusive right to use or distribute the information in any way it believes appropriate without incurring any obligation to you.

© **Copyright International Business Machines Corporation 1998. All rights reserved**

Note to U.S Government Users – Documentation related to restricted rights – Use, duplication or disclosure is subject to restrictions set forth in GSA ADP Schedule Contract with IBM Corp.

Contents

Figuresix
Tablesxi
Prefacexiii
The Team That Wrote This Redbookxiii
Comments Welcomexv
<hr/>	
Part 1. Introducing and Installing the GRF	1
Chapter 1. Dependent Node	3
1.1 Dependent Node Architecture	3
1.2 Limitations of the Dependent Node	3
Chapter 2. Router Node	5
2.1 Overview	5
2.1.1 Motivation	6
2.1.2 Design Objectives	8
2.1.3 What is a Router	8
2.1.4 Routing without the GRF	11
2.1.5 Routing with the GRF	12
2.1.6 Overview of Supported Routing Protocols	15
2.1.7 Media Adapters At-a-Glance	16
2.1.8 Benefits of the GRF	16
2.1.9 Price Comparison	17
2.2 GRF Software	18
2.2.1 IP Protocol	19
2.2.2 Supported Routing Protocols	20
2.2.3 Filtering	23
2.2.4 System Management	24
2.3 GRF Hardware	24
2.3.1 GRF Block Diagram	24
2.3.2 GRF Features	26
2.3.3 IP Switch and Control Board	31
2.3.4 Memory Guidelines for the IP Switch Control Board	35
2.3.5 Characteristics of GRF Media Cards	36
2.3.6 SP Switch Router Adapter	36
2.3.7 Media Card Performance	38
2.3.8 Other Media Cards	39
2.3.9 GRF Operating Environment	40
2.4 PSSP Enhancements	40

2.4.1 SDR Enhancements	40
2.4.2 New Commands	43
2.4.3 Enhanced Commands	51
2.4.4 Hardware Perspectives	52
2.4.5 SP Extension Node SNMP Manager	58
2.4.6 Dependent Node MIB	59
2.4.7 Coexistence	60
2.4.8 Partitioning	62
2.5 Planning for the GRF	63
2.6 Planning for the Dependent Node	65
2.7 Conclusion	66

Part 2. Scenarios 67

Chapter 3. Installation and Configuration	69
3.1 Initial Configuration	70
3.2 Pre-Installation Assumptions	71
3.2.1 Order of Information	74
3.3 Installing an SP Switch Router Adapter Card	75
3.3.1 Installation Overview	75
3.3.2 Installing the PCMCIA Spinning Disk	76
3.4 Attaching SP Switch Router Cables	79
3.4.1 Ethernet Cable	79
3.4.2 SP Switch Cable	80
3.4.3 Procedure for Connecting Cards to the SP Switch	80
3.5 Configuration Required on the SP System	81
3.5.1 Determining the Switch Connection for a Dependent Node	82
3.5.2 Procedure to Get the Jack Number	84
3.6 Multiple Frames for Multiple System Connections	85
3.7 Step-by-Step Media Card Configuration	86
3.7.1 Configuration Files and Their Uses	86
3.8 Step 1. Check SNMP in the SP Switch Router System	88
3.9 Put SNMP Changes into Effect	89
3.10 Step 2. Assign IP Addresses	89
3.10.1 Method 1: Use SP SNMP Manager - Recommended	89
3.10.2 Method 2: Edit /etc/grifconfig.conf - Optional	93
3.10.3 Putting grifconfig.conf Additions into Effect	95
3.11 Step 3. Change Profile Settings	95
3.12 Step 4. Run dev1config	95
3.13 Step 5. Reset SP Switch Router System to Install Files	96
3.13.1 Saving Configuration Files	96
3.14 Verify an SP Switch Router Adapter Card on the Router	97
3.14.1 Verify Media Card Operation Using ping	97

3.14.2	Check Media Card Status Using gcard	98
3.14.3	Reset Media Card Using greset	99
3.14.4	Using grstat to Display GRF Statistics	99
3.15	Bringing the SP Switch Router Adapter Card Online with the SP	100
3.15.1	Checking Connectivity to the SP System	101
Chapter 4.	Configuration of IP-Forwarding Media Cards	105
4.1	Ethernet 10/100Base-T Configuration	105
4.1.1	Physical and Logical Interfaces	105
4.1.2	Configuration File and Profile Overview	106
4.1.3	Installing Configurations or Changes	107
4.1.4	Assign IP Addresses - grifconfig.conf	107
4.1.5	Specify Ethernet Card Parameters	108
4.1.6	Some maint Commands for the Ethernet Media Cards	109
4.2	ATM OC-3c Configuration	110
4.2.1	Physical and Logical ATM Interfaces	110
4.2.2	Installing Configurations or Changes	113
4.2.3	Configuration Files and Profiles	113
4.2.4	Assign IP Addresses - grifconfig.conf	114
4.2.5	Specify ATM Card Parameters	115
4.2.6	Configuring PVCs	115
4.2.7	Some maint Commands for the ATM OC-3c Media Card	116
4.2.8	Using grt to Display the Route Table	118
4.2.9	Using grstat to Display GRF Statistics	119
4.3	ATM OC-12c Configuration	119
4.3.1	Physical and Logical ATM Interfaces	119
4.3.2	Installing Configurations or Changes	120
4.3.3	Configuration Files and Profiles	120
4.4	FDDI Configuration	121
4.4.1	Separate Networks versus Bridging	126
4.4.2	Naming the FDDI Interfaces	126
4.4.3	Physical Interface Numbers	127
4.4.4	GRF Interface Name	128
4.4.5	Configuration Files and Profiles	128
4.4.6	Assign IP Addresses - grifconfig.conf	129
4.4.7	Specify FDDI Card Parameters	130
4.4.8	Installing Configurations or Changes	130
4.4.9	Some maint Commands for the FDDI Media Card	131
4.4.10	Using grt to Display the Route Table	132
4.4.11	Using grstat to Display GRF Statistics	133
4.5	HIPPI Configuration	133
4.5.1	Introduction to HIPPI	133
4.5.2	HIPPI Configuration Options	138

4.5.3	Physical and Logical Interfaces	139
4.5.4	Configuration Files and Profiles	140
4.5.5	Installing Configurations or Changes	141
4.5.6	Some maint Commands for the HIPPI Media Card	141
4.6	Configuring Bridging	142
4.6.1	GRF Bridging Implementation	142
4.6.2	Simultaneous Routing and Bridging	143
4.6.3	Configuration Options	143
4.6.4	Interoperability	144
4.6.5	Spanning Tree	144
4.6.6	Bridge Filtering Table	144
4.6.7	Fragmentation	144
4.6.8	Spamming	145
4.6.9	Bridging Components	145
4.6.10	Management Tools	146
4.6.11	Configuration File and Profile Overview	148
4.6.12	Bridging ATM	154
4.6.13	Bridging FDDI	155
4.6.14	Bridging Ethernet	155
Chapter 5.	Single RS/6000 SP and Single SP Switch Router	157
5.1	Single SP Partition and Single SP Switch Router Adapter Card	157
5.1.1	SP Switch - Ethernet Connection	157
5.1.2	SP Switch - FDDI Connection	162
5.1.3	SP Switch - ATM Connection	167
5.1.4	SP Switch - FDDI Connection (Distinct FDDI Networks)	174
5.1.5	SP Switch - FDDI Connection in an ADSM Environment	185
5.2	Single SP Partition and Multiple SP Switch Router Adapter Cards	187
5.2.1	Configuration of a Dual SP Switch Router Connection	187
5.2.2	Complex Configuration	190
5.2.3	Recovery Procedure for an SP Switch Adapter Card Failure	196
5.3	Multiple SP Partition and Multiple SP Switch Router Adapter Cards	197
Chapter 6.	Multiple RS/6000 SPs and One SP Switch Router	203
6.1	RS/6000 SP Switch - RS/6000 SP Switch Connection	203
6.2	Sharing Network Resources	207
Chapter 7.	Multiple RS/6000 SPs and Multiple GRFs	209
7.1	ATM OC-3c Backbone Connection	209
7.1.1	ATM OC-3c Backbone - Using One Port	210
7.1.2	ATM OC-3c Backbone - Using Two Ports	215
7.2	ATM OC-12c Backbone - One Port	222
7.3	HIPPI Backbone Connection	227

Appendix A. Laboratory Hardware and Software Configuration	233
A.1 Node and Control Workstation Configuration	233
A.1.1 Hard Disks	235
A.1.2 Software Configuration	239
A.1.3 Network Options and Tuning	253
A.2 SP Switch Pool Size Settings	255
A.3 7025-F50 Configuration	256
A.4 SP IP Switch Router Configuration	258
Appendix B. GRF Configuration Files	261
B.1 /root/.profile	261
B.2 /etc/Release	263
B.3 /etc/bridged.conf	264
B.4 /etc/fstab	267
B.5 /etc/grarp.conf	267
B.6 /etc/gratm.conf	268
B.7 /etc/grclean.conf	274
B.8 /etc/grclean.logs.conf	275
B.9 /etc/grdev1.conf	277
B.10 /etc/grifconfig.conf	282
B.11 /etc/grlamap.conf	284
B.12 /etc/grroute.conf	285
B.13 /etc/hosts	286
B.14 /etc/inetd.conf	286
B.15 /etc/motd	287
B.16 /etc/rc.local	287
B.17 /etc/snmpd.conf	288
B.18 /etc/syslog.conf	291
B.19 /etc/tty	292
Appendix C. Hardware and Software Information	295
C.1 The Front Panel of the SP Switch Router Adapter Card - Operational.	295
C.2 SP Switch Router Adapter Media Card LEDs.	296
C.3 SP Switch Router Adapter Media Card - Bootup	297
C.4 Connectors and Receptacles for Different Media	298
C.5 Chip Interconnection on the TBS Board	298
C.6 Updating Router Software	299
C.6.1 The SP Switch Router as an IBM Product	299
C.6.2 Obtaining New Machine Code	300
C.6.3 Support for Code Installation	300
C.6.4 Sample Steps to Upgrade the System Software	300
C.6.5 Sample Execution of grf_update Script	301

Appendix D. Special Notices	305
Appendix E. Related Publications	309
E.1 International Technical Support Organization Publications	309
E.2 Redbooks on CD-ROMs	309
E.3 Other Publications	309
How to Get ITSO Redbooks	311
How IBM Employees Can Get ITSO Redbooks	311
How Customers Can Get ITSO Redbooks	312
IBM Redbook Order Form	313
List of Abbreviations	315
Index	317
ITSO Redbook Evaluation	323

Figures

1. SP Switch Router	6
2. Functional Comparison	7
3. Typical Router Configuration	9
4. Table-Based Routing	10
5. Routing without GRF	11
6. Routing with GRF	12
7. GRF 400	13
8. Conventional Routers	14
9. Switched Routers	15
10. Price Comparison	18
11. GRF Models	25
12. GRF Architecture	27
13. Data Packet Transfer	29
14. Routing Packet Processing	30
15. Side View of GRF 400 Chassis with Slots Numbered	32
16. Top View of the GRF 1600 Chassis	32
17. IP Switch Control Board	33
18. System RAM	36
19. SP Switch Router Adapter	37
20. Hardware Perspectives	52
21. Action Menu	54
22. Hardware Notebook	55
23. System Partition Aid Perspectives	57
24. System Partition Aid Notebook	58
25. Coexistence	61
26. Partitioning	63
27. The Laboratory Hardware Installation	67
28. Connecting the GRF to the SP Switch and the CWS	69
29. Connecting the GRF to the Frame	73
30. Connecting the GRF Console	74
31. SP System Administrative Ethernet Connections	80
32. Switch Port Assignments in Supported Frame Configurations	83
33. Node Numbering for an SP System	84
34. How Frames Enable Connections to Multiple SP Switches	86
35. Components in the SP Switch Router Adapter Card's Interface Name	93
36. Components of the Ethernet Interface Name	106
37. ATM OC-3c Physical and Logical Interfaces	110
38. Components in the ATM OC-3c Interface Name	111
39. Components Forming a Virtual Path	111
40. ATM OC-12c Physical and Logical Interfaces	120

41. Master/Slave Connectors for SAS Interfaces	122
42. A/B Connectors for DAS Interfaces	123
43. Allowed SAS and DAS Configurations.	123
44. Optical Bypass Switch Attachments	125
45. Dual Homing Configurations	126
46. Assigning Numbers to FDDI Interfaces	127
47. Physical Interface Numbering on the FDDI Media Card	128
48. GRF Interface Name for FDDI Interfaces	128
49. HIPPI I-Field Components	135
50. Components in the HIPPI Interface Name.	139
51. Interface Name for FDDI, Ethernet and ATM OC-3c Interfaces	150
52. One Card - One SP Partition Sample Configuration	157
53. SP Switch - Ethernet Connection.	158
54. SP Switch - FDDI Connection	163
55. SP Switch - ATM Connection.	168
56. SP Switch - FDDI Connection	175
57. SP Switch - FDDI Connection (Bridging)	180
58. SP Switch Router in an ADSM Environment	185
59. Connecting One SP Switch with Two SP Switch Router Adapter Cards.	187
60. Configuration with Dual SP Switch Router - SP Switch Connection	190
61. IP Traffic Flow When Issuing ping 192.168.13.1 on Node 6	195
62. IP Traffic Flow When Issuing ping 192.168.13.1 on Node 10	195
63. IP Traffic Flow When Issuing ping 192.168.13.1 on Node 8	196
64. Partition-to-Partition Connection with an SP Switch Router	198
65. Two RS/6000 SPs Connected to GRF 1600	203
66. Sharing Network Resources between Two SPs	207
67. Connection of Two SPs with Two SP Switch Routers	209
68. SP Switch - ATM - SP Switch Connection.	211
69. SP Switch - ATM Bridged - SP Switch Connection	215
70. SP Switch - ATM OC-12c - SP Switch Connection	223
71. SP Switch - HIPPI - SP Switch Connection	228
72. Front Panel of the SP Switch Router Adapter Card with LEDs	295
73. The SP Switch Board.	299

x IBM 9077 SP Switch Router: Get Connected to the SP Switch

Tables

1. Memory Configuration	35
2. DependentNode Attributes.	40
3. DependentAdapter Attributes.	42
4. Additional SDR Attributes	42
5. New Commands (root Executable)	43
6. New Commands (User Executable).	44
7. endefnode Command Options	45
8. enrnmnode Command Options	46
9. endefadapter Command Options.	47
10. enadmin Command Options	48
11. splstnode Command Options.	49
12. splstadapter Command Options	50
13. Enhanced Commands	51
14. Configuration of SP Switch - Ethernet Connection	159
15. Configuration of an SP Switch - FDDI Connection	163
16. Configuration of SP Switch - ATM Connection	168
17. Configuration of SP Switch - FDDI Connection	175
18. Configuration of SP Switch - FDDI Connection (Bridging).	181
19. Configuration of a Dual SP Switch Router Connection	187
20. Configuration of a Dual SP Switch Router - SP Switch Connection	191
21. Configuration of a Partition - Partition Connection	199
22. Configuration of SP Switch - SP Switch Connection	204
23. Configuration of SP Switch - ATM - SP Switch	212
24. Configuration of SP Switch - ATM Bridged - SP Switch	216
25. Configuration of SP Switch - ATM OC-12c - SP Switch	224
26. Configuration of SP Switch - HIPPI - SP Switch	228
27. Configuration of SP 21.	234
28. Configuration of SP 2.	235
29. Hard Disk Equipment of SP 21	236
30. Hard Disk Equipment of SP 2 Part 1 of 2.	237
31. Hard Disk Equipment of SP 2 Part 2 of 2.	238
32. Software Levels on CWS and All Nodes Part 1 of 14	239
33. Software Levels on CWS and All Nodes Part 2 of 14	240
34. Software Levels on CWS and All Nodes Part 3 of 14	241
35. Software Levels on CWS and All Nodes Part 4 of 14	242
36. Software Levels on CWS and All Nodes Part 5 of 14	243
37. Software Levels on CWS and All Nodes Part 6 of 14	244
38. Software Levels on CWS and All Nodes Part 7 of 14	245
39. Software Levels on CWS and All Nodes Part 8 of 14	246
40. Software Levels on CWS and All Nodes Part 9 of 14	247

41. Software Levels on CWS and All Nodes Part 10 of 14	248
42. Software Levels on CWS and All Nodes Part 11 of 14	249
43. Software Levels on CWS and All Nodes Part 12 of 14	250
44. Software Levels on CWS and All Nodes Part 13 of 14	251
45. Software Levels on CWS and All Nodes Part 14 of 14	252
46. Network Options of CWS and All Nodes Part 1 of 3	253
47. Network Options of CWS and All Nodes Part 2 of 3	254
48. Network Options of CWS and All Nodes Part 3 of 3	255
49. Network Options of 7025-F50 Part 1 of 3	256
50. Network Options of 7025-F50 Part 2 of 3	257
51. Network Options of 7025-F50 Part 3 of 3	258
52. SP Switch Router Adapter Media Card LEDs	296
53. SP Switch Router Adapter Media Card LEDs - RX/TX	296
54. SP Switch Router Adapter Media Card LEDs During Bootup	297
55. Media Card Cables and Connectors	298

Preface

The GRF is a high-performance switched IP Router which provides high-speed data communication links between IBM RS/6000 SP and external networks or hosts. It acts as a special-purpose SP node that routes IP traffic between SP nodes on the SP Switch and the outside world. Connected directly to the SP Switch, the router offers significantly improved SP I/O performance. When packaged with an IBM SP system, the GRF router is referred to as the SP Switch Router.

This redbook helps you install, tailor and configure the SP Switch Router, IBM machine type 9077. The SP Switch Router is also known as the "Gigarouter" or High Performance Gateway Node (HPGN).

The first part of the book gives an overview of the GRF architecture and how the router was integrated into the SP. It emphasizes the advantages of choosing a dedicated router node in some configurations, as opposed to using standard nodes for the routing task. This part also describes some routing fundamentals, particularly focusing on concepts like IP- and switch-routing.

The second part presents sample configurations that were carefully chosen to match frequently occurring customer situations. The basic configurations shown are building blocks for more complex networking topologies that include the SP Switch Router and may inspire more sophisticated configurations. All configurations described were tested and provide some comparable performance figures.

This publication is intended to give IBM customers, system engineers, and marketing personnel a broad understanding of this new architecture and what it is used for.

The Team That Wrote This Redbook

This redbook was produced by a team of specialists from around the world working at the International Technical Support Organization, Poughkeepsie Center.

Dr Hajo Kitzhöfer is an Advisory International Technical Support Organization (ITSO) Specialist for RS/6000 SP at the Poughkeepsie Center. He holds a Ph.D. degree in electrical engineering from the Ruhr-University of Bochum (RUB). Before joining ITSO, he worked as an SP Specialist at the RS/6000 and AIX Competence Center, IBM Germany. He has worked at IBM

for eight years. His areas of expertise include RS/6000 SP, SMP, and Benchmarks. He now specializes in SP System Management, SP Performance Tuning and SP hardware.

Dr Steffen Eisenblätter is an AIX Software Specialist in the RS/6000 SP Software Support Center, Germany. He holds a Ph.D. degree in physics from the University of Leipzig. He joined IBM in 1997 and has focused on RS/6000 SP products and TCP/IP.

Uwe Untermarzoner is an RS/6000 SP Technical Support Specialist with IBM Germany. He joined IBM 1989. He has ten years of experience in AIX and five years of experience with the SP, mostly in the commercial environment. He joined IBM at 1989. His areas of expertise include AIX, RS/6000 SP, SMP, PSSP, Networking, Performance Tuning and Systems Management.

Thanks to the following people for their invaluable contributions to this project:

Ronald Linton
IBM PPS Lab Poughkeepsie

Gene Novitsky
Ascend Communications, Inc.

Frank May
IBM Worldwide RS/6000 SP Product Marketing

Wes Kinard
IBM RS/6000 Networking Technologies

Marcelo R. Barrios
International Technical Support Organization, Poughkeepsie Center

Comments Welcome

Your comments are important to us!

We want our redbooks to be as helpful as possible. Please send us your comments about this or other redbooks in one of the following ways:

- Fax the evaluation form found in "ITSO Redbook Evaluation" on page 323 to the fax number shown on the form.
- Use the electronic evaluation form found on the Redbooks Web sites:

For Internet users <http://www.redbooks.ibm.com>

For IBM Intranet users <http://w3.itso.ibm.com>

- Send us a note at the following address:

redbook@us.ibm.com

xvi IBM 9077 SP Switch Router: Get Connected to the SP Switch

Part 1. Introducing and Installing the GRF

2 IBM 9077 SP Switch Router: Get Connected to the SP Switch

Chapter 1. Dependent Node

This chapter provides an overview of a *dependent node* in RS/6000 SP. We start by defining the dependent node and the rationale behind its design.

1.1 Dependent Node Architecture

The Dependent Node Architecture refers to a processor or node, possibly not provided by IBM, for use with the RS/6000 SP.

Since a dependent node may not be a regular RS/6000 SP node, not all the functions of a node can be performed on it, which is why it is called "dependent". For example, it does not allow all the functions of the fault service (Worm) daemon, as other RS/6000 SP nodes with access to the SP Switch do.

The objective of this architecture is to allow the other processors or hardware to easily work together with the RS/6000 SP, extending the scope and capabilities of the system.

The dependent node connects to the RS/6000 SP Switch (but not to the earlier High Performance Switch, HiPS).

The SP Switch Router Adapter is the first product to exploit the Dependent Node Architecture.

1.2 Limitations of the Dependent Node

The following are limitations associated with use of the dependent node:

- To use the dependent node in an RS/6000 SP requires the SP Extension Node SNMP Manager to be installed in the Control Workstation. The SP Extension Node SNMP Manager requires UDP port 162 in the Control Workstation. Other SNMP managers, such as Netview, also require this port. To allow the two SNMP managers to coexist, the SP Extension Node SNMP Manager must use an alternative UDP port. Dependent nodes are not allowed in Node Groups.
- Only the 8-port and 16-port SP Switch are supported. The 8-port and 16-port High Performance Switch (the old SP Switch) are not supported.
- The `smon` command on the RS/6000 SP is not enhanced to support dependent nodes. Dependent nodes can only be viewed with the `perspectives` command.

- The fault service daemon runs on all switch nodes in the RS/6000 SP, but not on the dependent node. Therefore, the dependent node does not have the full functionality of a normal RS/6000 SP Switch node.
- The dependent node requires the SP Switch's primary node to compute its switch routes. Therefore, the primary node must have at least PSSP 2.3 installed, otherwise the dependent node cannot work with the RS/6000 SP.
- In the RS/6000 SP, SP Switch nodes occasionally send service packets from one node to the next to keep track of status and links. Sometimes these packets are sent indirectly through another switch node. As the dependent node is not a standard RS/6000 SP Switch node, it cannot be used to forward service packets to other nodes.

4 IBM 9077 SP Switch Router: Get Connected to the SP Switch

Chapter 2. Router Node

The first dependent node is actually a new SP Switch Router Adapter in a router. This chapter offers more details about the implementation.

Section 2.1, "Overview" on page 5 gives you an overview of SP Switch Router. This is probably the best to get an impression what the GRF is good for. Also a functional- and a price-comparison between using an RS/6000 SP node and the SP Switch Router is included.

More details about the underlying Software and Hardware can be found in Section 2.2, "GRF Software" on page 18 and Section 2.3, "GRF Hardware" on page 24.

Section 2.4, "PSSP Enhancements" on page 40 describes the enhancements in the PSSP Software for the support of the dependent node.

Some planning considerations which should be considered can found in Section 2.5, "Planning for the GRF" on page 63 and Section 2.6, "Planning for the Dependent Node" on page 65.

2.1 Overview

The purpose of the SP Switch Router Adapter is to allow the GRF ("goes really fast"), manufactured by Ascend, to forward SP Switch IP traffic to other networks. The GRF was known as the High Performance Gateway Node (HPGN) during the development of the adapter. IBM remarkets models of the GRF that connect to the SP Switch as the SP Switch Router model 04S (9077-04S) and model 16S (9077-16S). These models are not available directly from Ascend.

Note: In the remainder of this book, we refer to the SP Switch Router as the GRF.

The distinguishing feature of the GRF, when compared with other routers, is that it has an SP Switch Router Adapter and therefore can connect directly to the SP Switch (see Figure 1 on page 6).

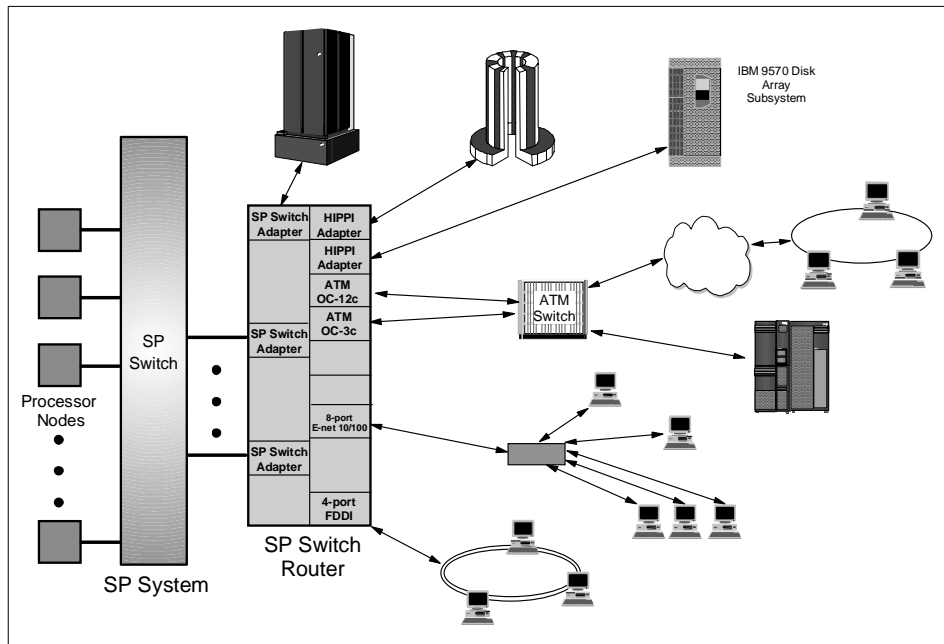


Figure 1. SP Switch Router

The RS/6000 SP software treats this adapter as an extension node. It is a node because it takes up one port in the SP Switch and is assigned a node number. It is described as an extension because it is not a standard RS/6000 SP node, but an adapter card that extends the scope of the RS/6000 SP.

Although the term *extension node* represents the node appearance of the adapter, it does not define the connection. An *extension node adapter* is used for that purpose. Each extension node has an extension node adapter to represent its connection to the SP Switch.

2.1.1 Motivation

A thin node, which has a single microchannel, is unable to deliver more than about 30 MB/s to or from the SP Switch. Using a wide node, this number increases to 65 MB/s but is still unable to provide full bandwidth to even one HIPPI interface. It is also unable to feed 4 FDDI or 4 Ethernet 100BaseTx cards at full bandwidth.

A 135 MHz wide node's CPU becomes saturated at about 5000 packets/second. A 10 Mb/s Ethernet uses a maximum of 1500 bytes for a

packet size. This would only enable a wide node to handle approximately 7.5 MB/s of IP traffic.

Since Ascend's business depends on keeping pace with networking technology, they already support the major interfaces today. The 9077 will be able to take advantage of any new interfaces that are developed in the future as well, with no further development time or money expended.

With some interfaces requiring up to 5 slots, even a wide node can run out of available slots. This forces additional nodes to be added even if there are no performance limitations in the current configuration.

Since there are no hot plug capabilities with an SP node, any failure means downtime on all interfaces configured in that node, and at times a lengthy maintenance procedure. Redundancy is not built into the SP node's architecture.

These facts are illustrated in Figure 2:

	SP Node	9077
Bus	Shared – 1 MCA per thin node – 2 MCA per wide node	Non-blocking Crosspoint Switch 250 ns path setup
Route Table	Centralized Cache, Software Based Cache hits <50% typical	Independent lookups per card Hardware based, <2.5 μ s 150,000 route capacity per card
Scalability	Single port per card Single CPU Limited by shared bus	High per card port density Per card – Processors – Route Tables – Lookup engines Each card has dedicated bandwidth
Throughput	5000 pps 30 MB/s per thin node 65 MB/s per wide node	Up to 130,000 pps 100 MB/s per card slot, full duplex
Support	No support for: – HSSI – ATM OC12 – Sonet – Multiple SP Switch Adapters	Support for: – multiple SP Switch interfaces – High-speed networks such as HIPPI – Protocols

Figure 2. Functional Comparison

2.1.2 Design Objectives

Because the dependent node is part of the RS/6000 SP, it had to be packaged and assigned some roles consistent with other RS/6000 SP nodes. Changes were made to the RS/6000 SP to incorporate management requirements for the dependent node.

Ease of design and implementation were important objectives in the design. These were accomplished by limiting the amount of switchcontrol protocol for the dependent node.

New *SDR* (System Data Repository) classes were created to manage dependent nodes. This was done to minimize the scope of the changes and the exposure to side effects that dependent nodes may cause if they were represented as standard nodes in the *SDR*.

2.1.3 What is a Router

One of the basic functions of the *Internet Protocol* (IP) is its ability to connect between different networks. This is due its routing algorithm and its flexibility to use almost any physical network below. A system that connects different physical or logical networks and directs traffic is termed a *router*, although the older term *IP gateway* is also used.

Again, IP routing is the passing of an IP packet from one device to another by sending it on a physical or logical interface. routers interconnect networks so that IP traffic can be routed between the systems in the networks, as shown in Figure 3 on page 9.

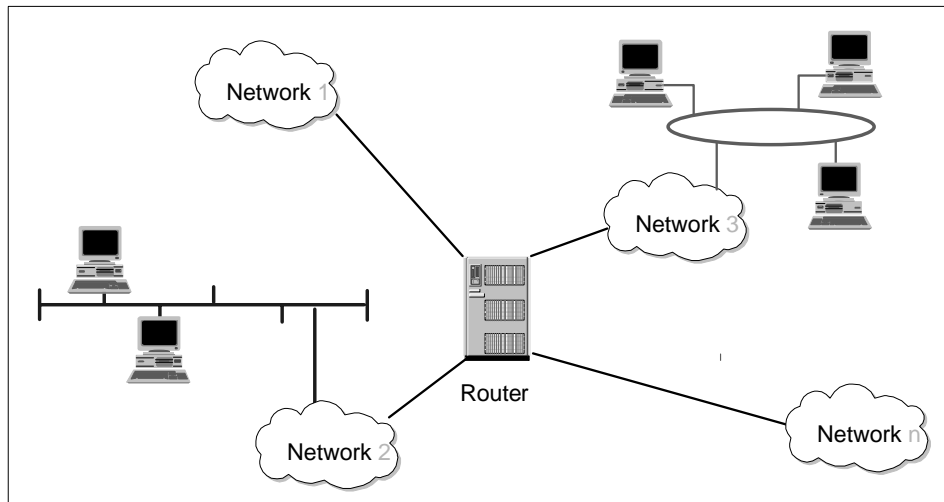


Figure 3. Typical Router Configuration

Routers help to reduce the amount of processing required on local systems, since they perform the computation of routes to remote systems. For example, a system can communicate with a remote system by passing the message (or packets) to the router. The router works out how to get to the remote system and forwards the message appropriately.

Storing routes on the system takes up memory. But because a system does not have to store routes to systems not in its own subnet, the route table uses less storage space and thereby frees up memory for other work.

The use of routing reduces network traffic, because routers encourage subnetting, which creates a smaller network of systems. By having smaller networks, network traffic congestion is reduced and overall network performance and traffic control are improved.

A network's routing configuration does not always require a routing protocol. In situations where the routing information does not change, for example, when there is only one possible route, the system administrator usually builds the routing table manually. Some networks have no access to any other TCP/IP networks, and therefore do not require routing tables at all. The three most common routing configurations are:

- **Minimal routing**

A network completely isolated from all other TCP/IP networks requires only minimal routing. A minimal routing table is usually built by `ifconfig` when the network interfaces are configured. If your network does not have direct access to other TCP/IP networks, and if you are not using subnetting, this may be the only routing table you require.

- **Static routing**

A network with a limited number of gateways to other TCP/IP networks can be configured with static routing. When a network has only one gateway, a static route is the best choice. A static routing table is constructed manually by the system administrator using the `route` command. See Figure 4. Static routing tables do not adjust to network changes, so they work best where routes do not change.

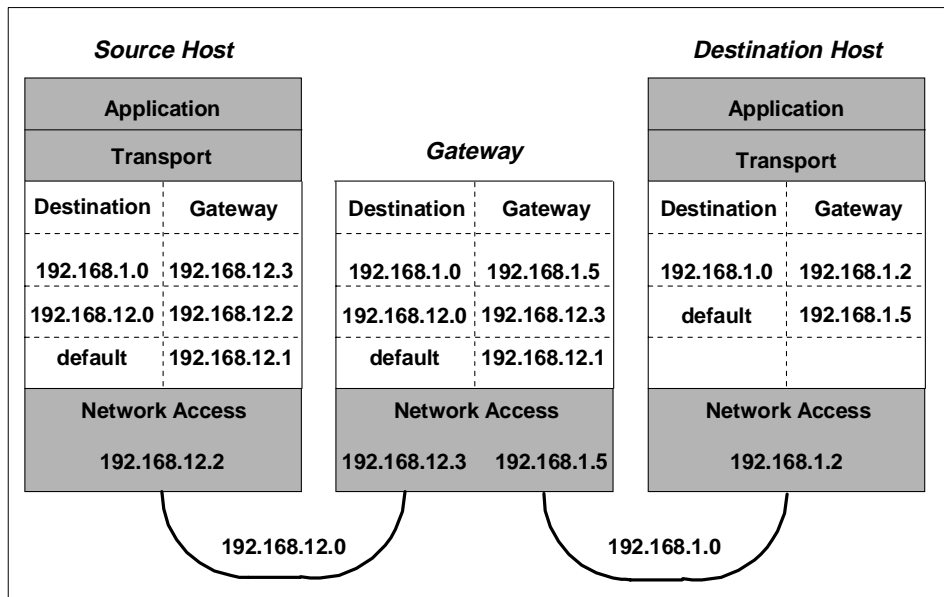


Figure 4. Table-Based Routing

- **Dynamic routing**

A network with more than one possible route to the same destination should use dynamic routing. A dynamic routing table is built from the information exchanged by the routing protocols. The protocols are designed to distribute information that dynamically adjusts routes to reflect changing network conditions. Routing protocols handle complex routing

situations more quickly and accurately than a system administrator can do. Routing protocols are designed not only to switch to a backup route when the primary route becomes inoperable; they are also designed to decide which is the "best" route to a destination. On any network where there are multiple paths to the same destination, a dynamic routing protocol should be used.

2.1.4 Routing without the GRF

Before the GRF was available, there were only two ways to get IP traffic from remote systems to reach the RS/6000 SP nodes:

1. By putting an additional IP adapter into every RS/6000 SP node.
2. By designating one or two nodes to act as a router (as shown in Figure 5).

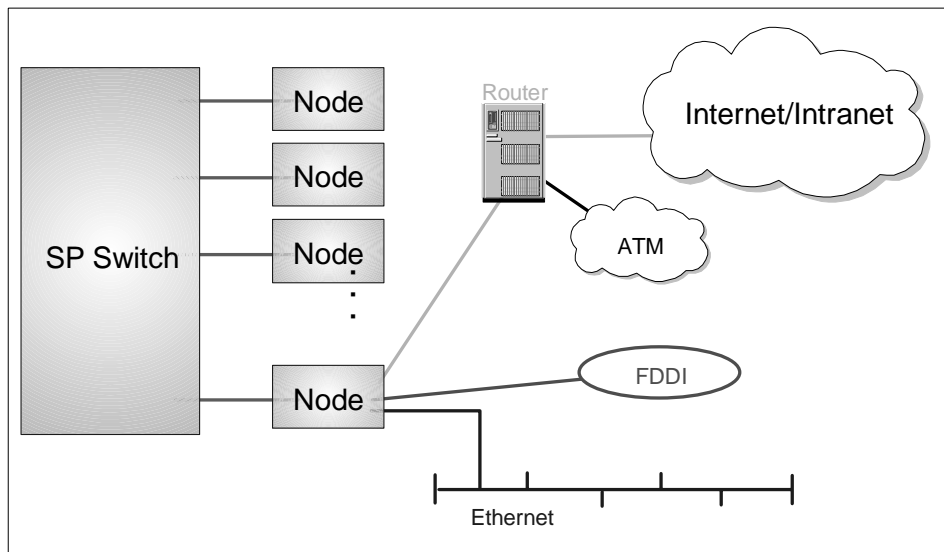


Figure 5. Routing without GRF

The first option was usually not chosen because it was too costly for the following reasons:

- For systems with a large number of nodes having multiple IP adapters for each RS/6000 SP node can be expensive.
- The number of I/O slots in the RS/6000 SP node is limited. In addition, these slots are required to perform other tasks for the system, such as connecting to disk or tape. Using these I/O slots to connect IP adapters restricts the functions of the RS/6000 SP node.

The second case has proven to be very expensive as well. The RS/6000 SP node was not designed for routing. It is not a cost-effective way to route traffic for the following reasons:

- It takes many CPU cycles to process routing. The CPU is not a dedicated router and is very inefficient when used to route IP traffic (this processing can result in usage of up to 90%).
- It takes a lot of memory to store route tables. The memory on the RS/6000 SP node is typically more expensive than router memory.

The CPU on a node can only drive the system I/O bus at less than 80 megabytes per second, which is less than what a high-end router can do.

For these reasons, the performance of routers in handling IP traffic from remote systems to the RS/6000 SP nodes was limited.

2.1.5 Routing with the GRF

The GRF is a dedicated, high-performance router (see Figure 6). Each SP Switch Router adapter can route up to 30,000 packets per second and up to 100 MB/s into the SP Switch network in each direction simultaneously.

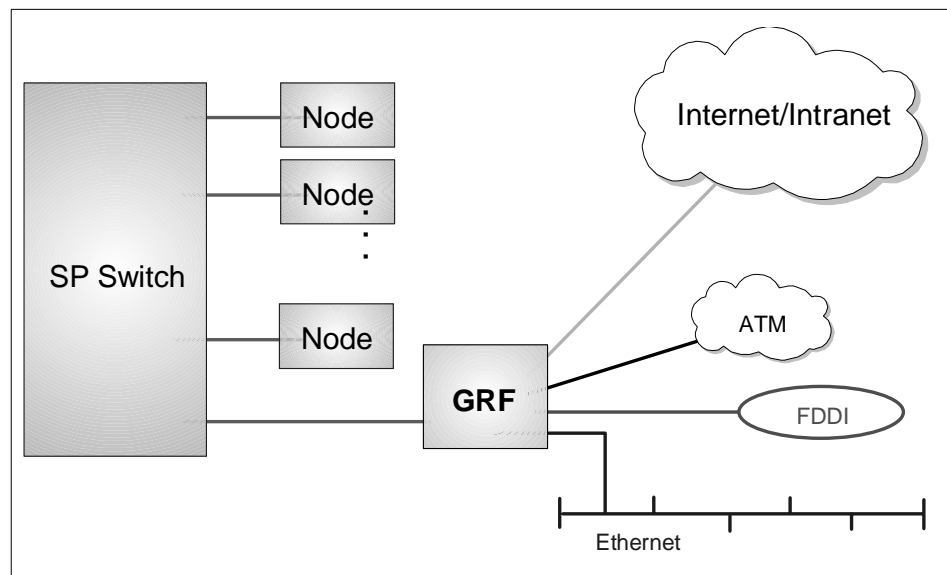


Figure 6. Routing with GRF

The GRF uses a crosspoint switch (see Figure 7) instead of an I/O bus to interconnect its adapters. This switch is capable of 4 or 16 Gbit/s (model dependent) and gives better performance than the MCA bus.

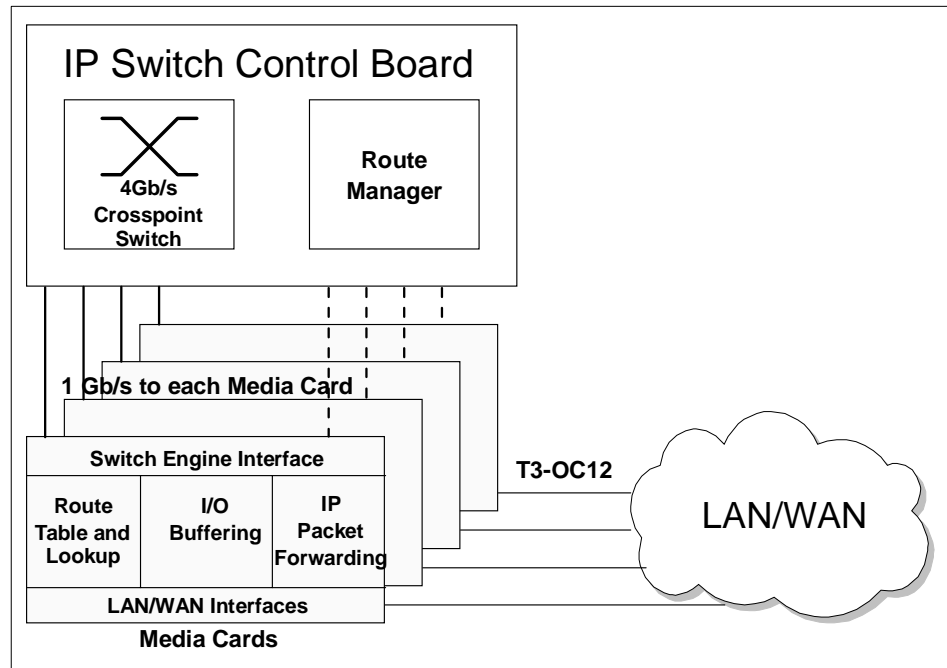


Figure 7. GRF 400

In conventional routers, each packet is processed at each gateway (also called *hop*) along a path. The processing is done at the Layer 3 level (see Figure 8 on page 14) and requires a router's CPU to process both the packet and the route information. Conventional routers use shared resources, which leads to congestion and poor scalability and performance. Software-based route-table lookups can be very slow, if the route-table is not in cache.

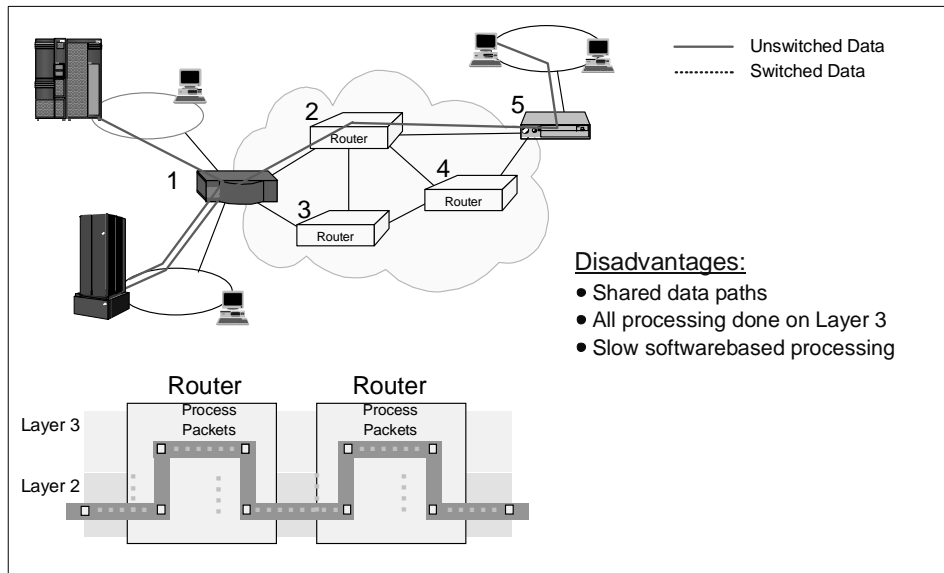


Figure 8. Conventional Routers

The SP Switch Router provides near wire-speed packet forwarding while using standard routing protocols. This ensures interoperability with other network technologies and does not require a specific network architecture, such as ATM. It works equally well in large and small networks. At each hop where a routing switch is used, routes are processed at Layer 3 but the packet is forwarded at Layer 2 (see Figure 9 on page 15). In the case of the SP Router, the route processing is done through hardware, so all processing is done at near-wire speed.

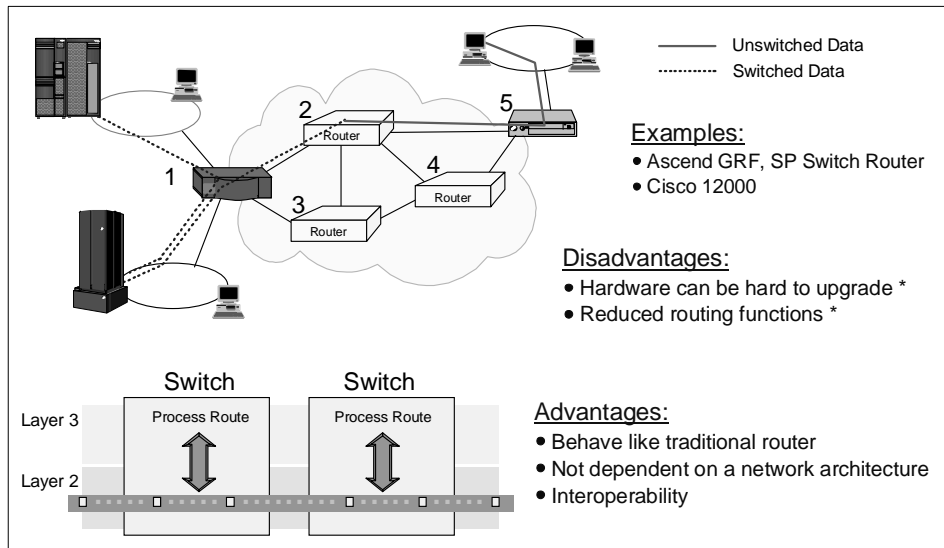


Figure 9. Switched Routers

Other advantages of using GRF are as follows:

- Availability of a redundant power supply
- Availability of a redundant fan
- Availability of a hot-swappable power supply
- Availability of a hot-swappable fan (model 16S only)
- Availability of hot-swappable media adapters (to connect to networks)
- Scalability of up to 4 or 16 media adapters, depending on the GRF model

Perhaps the greatest advantage of using the GRF is improved price/performance. As previously mentioned, the GRF is a dedicated router, and as such it is much more cost effective for routing IP traffic than using dedicated RS/6000 SP node.

2.1.6 Overview of Supported Routing Protocols

In addition to static routes, various routing protocols are available on the GRF, as follows:

RIP Routing Information Protocol Version 1 or 2 (RIP 1 or 2)

OSPF Open Shortest Path First

IS-IS Intermediate System to Intermediate System (an OSI gateway protocol)

Multicast IP Multicast and OSPF Multicast

EGP Exterior Gateway Protocol

BGP Border Gateway Protocol Version 3 or 4 (BGP 3 or 4)

More details about the various protocols are in Section 2.2.2, "Supported Routing Protocols" on page 20.

2.1.7 Media Adapters At-a-Glance

Available IP forwarding media cards are:

- 1-port 100 Mbyte/s Switch Adapter
- 8-port 10/100 Mbit/s Ethernet cards
- 2-port 155 Mbit/s OC-3 ATM (Asynchronous Transfer Mode UNI 3.0/3.1)
- 1-port 622 Mbit/s OC-12 ATM
- 4-port 100 Mbit/s FDDI (Fiber Distributed Data Interface)
- 1-port 800 Mbit/s HIPPI (High Performance Parallel Interface)
- 2-port 52 Mbit/s or 45 Mbit/s DS-3 HSSI (High Speed Serial Interface)
- 1-port 155 Mbit/s IP/SONET OC-3c

More details are in Section 2.3.8, "Other Media Cards" on page 39.

2.1.8 Benefits of the GRF

The crosspoint switch is a *nonblocking crossbar*. This architecture is faster than an RS/6000 SP node, in which media adapters communicate through a shared microchannel bus.

To take advantage of the fast I/O provided by the crosspoint switch, fast route table access time is required. The GRF can store up to 150,000 routes in memory on each media card, while an RS/6000 SP node can store only hundreds. It is said that you need about 50,000 routes for the whole Internet. This means that the GRF is able to retrieve a route faster than an RS/6000 SP node.

The GRF is able to route up to 2.8 million packets per second for the 4-slot model and 10 million packets per second for the 16-slot model.

All the media adapters on the GRF are hot-pluggable. This differs from using an RS/6000 SP node as your router. Should any network adapter on the RS/6000 SP node fail, the node has to be brought down to replace the faulty

adapter. As a result, other network adapters are brought down as well. Bringing down the router will impact all the networks in the location.

Each RS/6000 SP is allowed to connect to multiple SP Switch Router Adapters, and it does not matter if these adapters are on different GRFs. Connecting multiple SP Switch Router adapters to either different partitions in an RS/6000 SP or to different RS/6000 SPs allows them to communicate with each other and with the other GRF media adapters via the SP Switch.

Attention

The SP Switch Router model 04S can support four media cards such as FDDI or ATM. The SP Switch Router model 16S can support 16. All card slots could be occupied by SP Switch Router adapters; this means a maximum of 4 SP Switch Router adapters for model 04S and a maximum of 16 SP Switch Router adapters for model 16S.

Note: The number of packets that the GRF can route per second depends on the following:

- The type of media adapter
- The size of the packet

2.1.9 Price Comparison

Figure 10 on page 18 shows a price comparison between an RS/6000 SP node solution and a GRF based solution for three sample configurations.

9077-04S with one SP Switch Router Adapter HIPPI Adapter	\$ 53,000 13,500		
	66,500	\$ 53,000 19,000	
135 MHz Wide Node	48,000		
64 MB memory	3,200	72,000	
4.5 GB Disk	1,950		\$ 53,000 20,000
Ethernet	595	48,000	
SP Switch Adapter	10,000	3,200	
HIPPI Adapter	17,500	1,950	73,000
	81,245	595	48,000
		10,000	3,200
4 FDDI 1-port SAS Adapters *		15,980	1,950
		75,730	595
			10,000
2 ATM 155 Adapters *			5,390
			69,135

Figure 10. Price Comparison

These price comparisons are based on US prices as of March 1998. In other countries these prices may be different. The basic message of these charts is that the solutions based on the GRF could be quite competitive and will quite often be cheaper than the conventional configurations.

Let us look, for example for a solution connecting an RS/6000 SP via HIPPI to a mainframe system. The first chart shows that a GRF solution is cheaper than adding a dedicated node for the HIPPI connection to your system, apart from the fact that the GRF solution is the better choice from a performance point of view.

It is nearly the same if you need a connection to an FDDI network. One GRF FDDI media card offers four independent singlering connections. An offer based on an dedicated SP node is more expensive than a GRF solution.

Our example on the third chart focuses on an ATM connection. In this case, the RS/6000 SP node based solution is the more reasonable solution, if you consider only the price. But the difference is not that much; the growth path with the GRF-based offer will be better than the node solution.

2.2 GRF Software

The software functionality of the GRF is distributed between the Router Manager on the IP Switch Control Board (see also Section 2.3.2, "GRF Features" on page 26) and the individual media cards. While the Route

Manager updates the system routing tables and performs other administrative functions, the intelligent processors on each media card perform all routing functions. This design supports efficient distributed processing of router operations.

2.2.1 IP Protocol

The GRF supports IP datagram routing between major types of standard media. The implementation conforms with IP Version 4 and routing specifications described in Internet RFCs.

Each media card has a complete set of route and *Address Resolution Protocol* (ARP) information contained in the program memory space of the card's on-board processor. IP packets are buffered in large transmit and receive buffers from which they are transmitted across the central switch fabric to the destination media. Any difference in MTU size (large MTU to smaller MTU) is handled by packet fragmentation as specified in the IP standard. Logic on the destination media is responsible for any media-specific processing of the packet, such as producing 53-byte cells for ATM.

Data Forwarding

Individual media cards maintain their own route tables, perform lookups, and autonomously handle the passing of datagrams to other media cards for export, without intervention of the Router Manager. Layer-3 decisions are local to each card.

Route Table Implementation

Critical to providing sustained performance in a highly dynamic environment are the cacheless route table and route lookup implementation. Each card carries a complete copy of the route table and can support up to 150,000 entries.

Keeping pace with significant advances in routing, the GRF also supports variable-length subnet masking and route aggregation.

Subnet Masking/Supernetting

Variable length subnet masking is a classless addressing scheme for interdomain IP packet routing. It is a way to more efficiently manage the current 32-bit IP addressing method. Subnet masks let sites configure the size of their subnets based on the site needs, not on the arbitrary Class A, B, and C structure originally used in the Internet addressing. Class-based addressing restricts the boundary to the 8-bit boundaries and is implicitly derived from the first eight bits of the network address. The new addressing method allows the network portion of an IP address to be separated from the host portion of the address at any point within the 32-bit address space. This expanded boundary is called the "netmask" and is explicitly provided to the router along with the network address information. Class-based addressing restricts the boundary to the 8-bit boundaries and is implicitly derived from the first eight bits of the network address.

Subnet masking offers a number of benefits by extending the current address space. By eliminating implicit netmask assignments, addresses can now be assigned from any unused portion of the entire 32-bit address range rather than from within a specific subset of the space previously called a class. Since it hides multiple subnets under a single network address, this method is called supernetting.

Classless addressing allows the network administrator to further apportion an assigned address block into smaller network (or host) segments based on powers of two (2, 4, 8, 16 networks, for example). Knowledge of the apportioned segments need not be communicated to exterior peers. They need only a single pointer to the entire address block. Not only does subnet masking better utilize address space, but implemented properly it results in significantly smaller routing tables.

2.2.2 Supported Routing Protocols

In the days of a single Internet, core groups of independent networks were called autonomous systems. We will use the term *autonomous systems* (AS) in the following description of protocols. The routing protocols supported on the GRF can be divided into two classes: *Interior routing protocols* or *interior gateway protocols* (IGPs) and *Exterior routing protocols* (EGPs).

- **Interior routing protocols**

Interior routing protocols are used to exchange routing information between routers within a single autonomous system. They are also used by routers that run exterior protocols to collect network reachability

information for the autonomous system. Here is the list of interior protocols supported by the GRF:

- **RIP**

The Routing Information Protocol (RIP), as delivered with most UNIX systems, is run by the routing daemon *routed*. During the startup of *routed* a request for routing updates is issued. After that, the daemon listens for responses to the request. Systems that are configured to supply RIP information hear this request and respond with update packets based on the information in the system's routing table. The update packets contain the destination addresses from the routing table and the routing metrics associated with each destination. Update packets are sent on request and periodically to keep routing information accurate.

- **OSPF**

Open Shortest Path First (OSPF) is defined by RFC 2178 (Request for Comments). It is a link-state protocol and very different from RIP. A router running RIP shares information about the entire network with its neighbors. A router running OSPF shares information about its neighbors with the entire network. The "entire network" means, at most, a single autonomous system. OSPF further defines a hierarchy of routing areas within an autonomous system:

- **Areas**

These are sets of networks within a single autonomous system that have been grouped together. The topology of an area is hidden from the rest of the autonomous system, and each area has a separate topology database. Routing within the autonomous system takes place on two levels, depending on whether the source and destination of a packet reside in the same area (*intra-area routing*) or different areas (*inter-area routing*).

Intra-area routing is determined only by an area's own topology. That is, the packet is routed solely on information obtained within the area.

Inter-area routing is always done via a *backbone*.

The dividing of an autonomous system into areas enables a significant reduction in the volume of routing traffic required to manage the routing database for a large autonomous system.

- **Backbone**

The backbone consists of those networks not contained in any area, their attached routers, and routers that belong to multiple areas.

Every area must connect to the backbone, because the backbone is responsible for the distribution of routing information between areas. The backbone itself has all the properties of an area. Its topology is separate from that of other areas.

- **Subarea**

A subarea has only one area border router, which means that there is only one route out of the area. In this case, the area border router does not need to advertise external routes to the other routers within the subarea. It can simply advertise itself as the default route.

- The sequence of operations performed by OSPF routers is as follows:

1. Discovering OSPF neighbors
2. Electing the Designated Router
3. Forming adjacencies
4. Synchronizing databases
5. Calculating the routing table
6. Advertising Link States

Routers go through these steps when they first come up, and repeat them in response to the events that occur in the network. Each router must perform each of these steps for each network it is connected to, except for the calculation of the routing table. Each router generates and maintains a single routing table for all networks.

- **Multicast**

- **IP Multicast**

The GRF supports IP multicast routing per RFC 1112 and some components of RFCs 1301 and 1469. The implementation includes the IP multicast kernel modifications, dynamic route support and *mrouterd* (multicast route daemon).

Data that arrives at a GRF interface is duplicated and forwarded to multiple destination interfaces. The multicast packet's destination address is a Class D address. A lookup of the multicast route table returns a list of Virtual Interfaces (VIFs) to which the packet is sent.

- **OSPF Multicast**

The GRF uses the multicast capability of OSPF Version 2, as described in RFC 1583 and RIP Version 2, for communications between routers.

Host extensions for IP multicasting as described in RFC 1112 are also provided. The Router Manager acts as a host and uses the *Internet Group Management Protocol* (IGMP), version 2, to add and delete its membership in multicast groups. Accordingly, the Router Manager "joins" the appropriate routing protocol host groups for OSPF and RIP.

- **IS-IS**

Intermediate System to Intermediate System (an OSI gateway protocol) is a protocol similar to OSPF: it also uses a Link State, Shortest Path First algorithm. However, IS-IS is an OSI protocol used for routing *Connectionless Network Protocol* (CLNP) packets within a routing domain. CLNP is the OSI protocol most comparable to IP.

- **Exterior Routing Protocols**

Exterior Routing Protocols are used to exchange routing information between routers in different autonomous systems. Here is the list of exterior routing protocols supported by the GRF:

- **EGP**

The *Exterior Gateway Protocol* (EGP) is the protocol used for exchange of routing information between *exterior* gateways (not belonging to the same autonomous system).

EGP gateways may only forward reachability information for networks within their autonomous system. This routing information must be collected by the EGP gateway, usually via an GP).

- **BGP**

Border Gateway Protocol (BGP) is the leading exterior routing protocol of the Internet and is replacing EGP as the exterior protocol of choice. It is based on the OSI *InterDomain Routing Protocol* (IDRP). BGP supports policy-based routing, which uses nontechnical reasons (for example, organizational, political, or security considerations) to make routing decisions. Thus, BGP enhances an autonomous system's ability to choose between routes and to implement routing policies without relying on a central routing authority.

2.2.3 Filtering

IP filtering supports specific permit or deny decisions for each instance of a filter (per logical interface). The criteria within each filter may include any combination of the following:

- Protocol (ICMP, TCP, UDP)

- Source address
- Destination address
- Protocol port number (single number, or range, or ranges) for TCP and UDP
- Established TCP connections

2.2.4 System Management

The GRF currently supports the *Simple Network Management Protocol* (SNMP) Version 1, which provides a mechanism for remote query or setting operational parameters for the device. Media cards collect network statistics, which can be reported to network management packages via the Router Manager on the IP Switch Control Board. In addition to collection statistics and other management information, the SNMP agent is also capable of issuing traps. For more information, see Section 2.4.5, “SP Extension Node SNMP Manager” on page 58.

2.3 GRF Hardware

As already mentioned, the unique GRF switching architecture is specially designed for high-performance packet forwarding. The following sections give you more details about the various hardware components.

2.3.1 GRF Block Diagram

Figure 11 on page 25 shows the two models: the 4-slot and the 16-slot model.

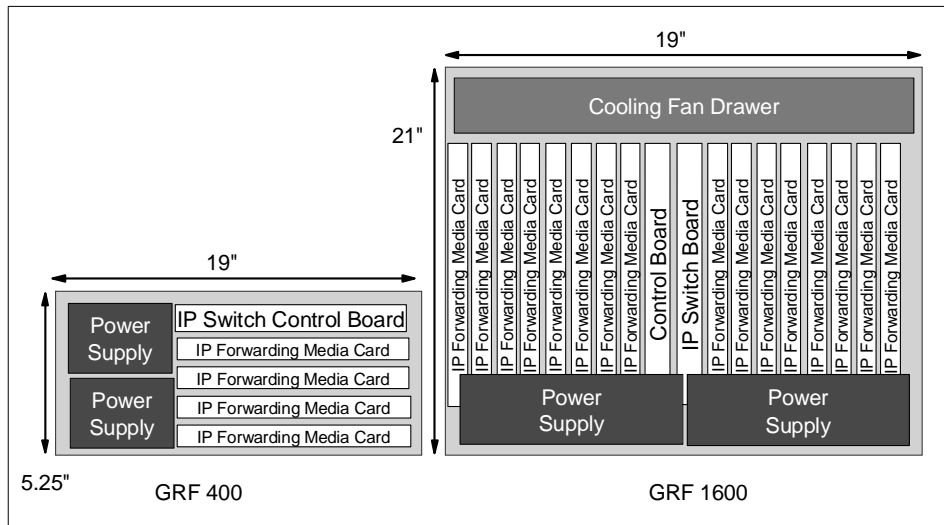


Figure 11. GRF Models

The SP Switch Router model 9077 04S (GRF 400) can accommodate up to four media adapters.

The SP Switch Router model 9077 16S (GRF 1600) can accommodate up to 16 media adapters.

Each adapter enables the GRF to connect to one or more networks.

Each of the models has an additional slot for the IP Switch Control Board, which is used to control the router.

GRF 400

PartDescription

Cooling Fans These are located on the right side of the chassis and cannot be accessed without bringing down the GRF. The fans are redundant, allowing service to be deferred until it is convenient to bring down the GRF.

Media Cards There are four media card slots on this chassis. They are slotted horizontally and are located at the bottom of the chassis.

IP Switch Control Board This board is located at the top of the four media slots and is also slotted horizontally.

Power SupplyThe left side of the chassis is reserved for the two power supplies that are required for redundancy.

The failed power supply can be hot-swapped out of the GRF chassis.

GRF 1600

Part Description

Cooling FansThese are located at the top of the chassis, and can be accessed separately from the other parts of the GRF. The fan tray contains redundant fans and is hot-swappable.

Media CardsThere are 16 media card slots on this chassis. They are slotted vertically. Eight of the cards are on the left side of the chassis, and eight are on the right side.

IP Switch and

Control BoardThese boards are located in the middle of the 16 media slots and are also slotted vertically.

Power SupplyThe base of the chassis is reserved for the two power supplies that are required for redundancy. The failed power supply can be hot-swapped out of the GRF chassis.

2.3.2 GRF Features

GRF has the following features:

- Redundant power supply

Should any power supply fail, a message is sent to the control board. The power supply will automatically reduce its output voltage if the temperature exceeds 90 °C (194 °F). If the voltage falls below 180V, the GRF automatically shuts down.

- Hot-swappable power supply

The faulty power supply can be replaced while the GRF is in operation.

- Redundant fan

For the GRF 1600 model, if one fan breaks down, a message is sent to the control board.

For both models, when the temperature reaches 53°C (128 °F), an audible alarm sounds continuously, and a message is sent to the console and logged into the message log.

If the temperature exceeds 57.5 °C (137 °F), the GRF does an automatic system shutdown.

- Hot-swappable fan

For the GRF 16S model, the cooling fan can be replaced while the GRF is in operation.

- Hot-swappable adapters

There are two types of adapters on the GRF: the media adapters and the IP Switch Control Board.

The media adapters are independent of each other and can be replaced or removed without affecting any other adapter or the operation of the GRF.

However, the IP Switch Control Board is critical to the GRF. Should this board be unavailable, the router fails.

- Crosspoint switch

The crosspoint switch is a 16x16 (16Gb per second) or 4x4 (4Gb per second) crossbar switch for the GRF 16S and GRF 04S, respectively, see Figure 12 on page 27. It is the I/O path used when the media adapters need to communicate with each other.

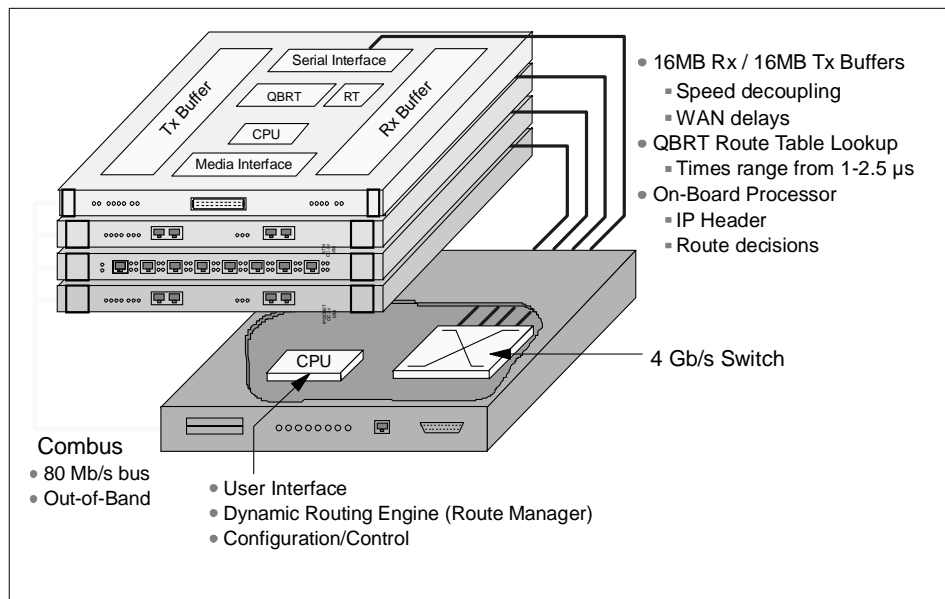


Figure 12. GRF Architecture

Some parts in Figure 12 need to be explained:

1. Normally, all media cards have a 4 MB send buffer and a 4 MB receive buffer, except the SP Switch Adapter card, which has a 16 MB buffer size for each buffer. See also Section 2.3.5, "Characteristics of GRF Media Cards" on page 36 and Figure 19 on page 37.
2. *Quick Branch Routing Technology* (QBRT) is a hardware-assisted route table lookup. Route lookup times range from 1 - 2.5 μ s with up to 150,000 next-hop routes in the table. Not all media cards use QBRT. Cards that do not use QBRT use a microcode lookup.

The benefit of this architecture is that the entire route table can be stored locally on the media card and searched quickly. In the traditional cached route table method, a small number of routes can be stored and searched locally. However, when a large number of routes is desired, or the kind of traffic one would see on the Internet backbone arises, caching is inadequate. Inevitably, cache misses occur, and route table lookups are performed at a limited, central, shared resource.

Performance is enhanced even further with parallel processing of table lookups occurring on each media card, which is another technique that helps assure linear scalability. The router manager on the controller board, which also contains the switch fabric, maintains the master route table and distributes updates simultaneously to all installed media cards, even as the cards continue their forwarding functions.

3. On-Board Processor
4. Router management takes place on the IP Switch Control Board (see Section 2.3.3.2, "IP Switch Control Board Components" on page 33), based on a 166 Mhz Pentium processor. It is responsible for system monitoring, configuration management and the user interface.
5. The GRF *communications bus* (*Combust*) is an "out-of-band" data path for configuration, control and monitoring of media cards. The Combust connects the IP Switch Control Board to the media cards independent of the switch connection to each card. It is not used for routed data between the cards. Route update packets received on any media card are also sent across the Combust to the Route Manager and, therefore, do not have to compete with normal IP traffic. The Combust is a serial bus with a transferrate of 80 Mb/s and is FIFO-buffered. The Arbitration Logic is on the IP Switch Control Board.

2.3.2.1 Data Packet Processing

With the knowledge about the local routing functions of the media cards, we now look at Figure 13 on page 29 to see how a data packet is transferred from one media card to another.

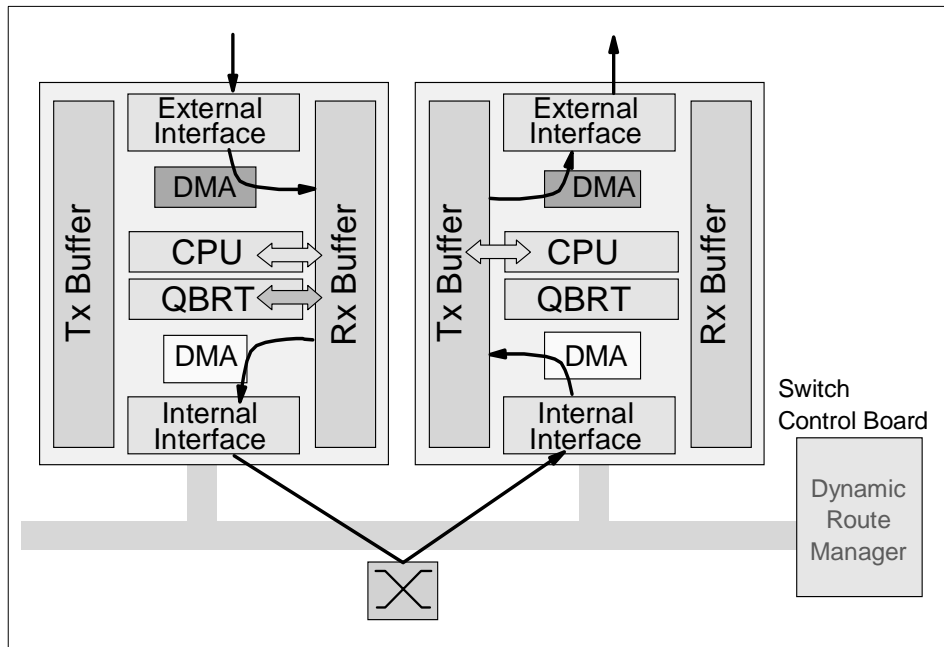


Figure 13. Data Packet Transfer

The routing can be divided into the following steps:

1. A data packet is received by the media card.
2. The packet is transferred to the receive buffer by the DMA engine.
3. The CPU examines the header and gives the destination address to the route lookup hardware.
4. The QBRT finds the next hop in the route table.
5. A special header is added to the packet by the CPU. This header contains information for the downstream card to process the packet, as well as the next hop found by the QBRT.
6. The packet is then transferred to the internal serial interface by the DMA engine.
7. A connection to the downstream card is set up through the switch.
8. The serial stream is converted back to parallel format by the downstream card.
9. The packet is transferred to the transmit buffer by the DMA engine.

10. The header is examined by the CPU, which uses the information to build a new header that will deliver the data across the media interface.
11. The DMA engine transfers the packet to the media interface.
12. The packet is transferred across the media.

2.3.2.2 Routing Packet Processing

The processing of packets with routing information is a little bit different from the data packet processing procedure as you can see in Figure 14.

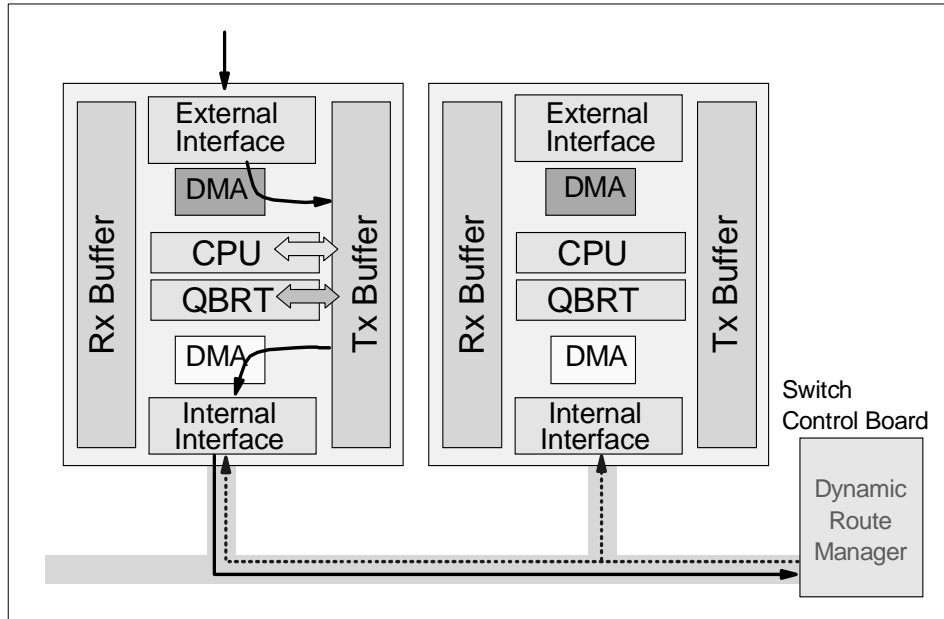


Figure 14. Routing Packet Processing

These are the steps for processing routing packets:

1. A routing packet is received by the media card.
2. The packet is transferred to the receive buffer by the DMA engine.
3. The CPU examines the header and gives the destination address to the route lookup hardware.
4. The QBRT finds the next hop in the route table.
5. A special header is added to the packet by the CPU. This header contains information for the downstream card. The result of the hardware lookup determines whether the packet should be forwarded to the Router Manager.

6. The packet is then transferred to the Combus interface by the DMA engine.
7. The packet is sent to the IP Switch Control Board's Router Manager across the Combus.
8. The Route Manager receives the packet and passes it to the dynamic routing software.
9. The packet is processed and global routing information is determined.
10. Route updates are broadcast across the Combus to all media cards simultaneously.
11. Each card receives the update packet and makes changes to its route tables.
12. The packet is transferred across the media.

To ensure that dynamic routing packets are not dropped during times of heavy congestion, precedence features are used. Routing packets are given a high-priority tag and a user-configurable threshold for Tx buffers is maintained for high-priority traffic.

2.3.3 IP Switch and Control Board

The control board, also known as the IP Switch Control Board, is accessed through Telnet or a locally attached VT100 terminal. The IP Switch Control Board is supplied with the GRF and is necessary for its operation. The VT100 terminal is not supplied with the GRF. It is only needed for the installation of the GRF.

Using terminal emulation software instead of looking for a real VT 100 terminal may be an alternative. You can use your Control Workstation or one of your SP nodes. Install the *ATE* package (advanced terminal emulation) on your RS/6000 and establish a serial connection between the system and the router.

After installation, all future access to the GRF can be through Telnet to the IP Switch Control Board's administrative Ethernet.

The IP Switch Control Board is identified as slot 66 in both GRF models. A sideview of the GRF 400 slot numbering scheme is shown in Figure 15 on page 32.

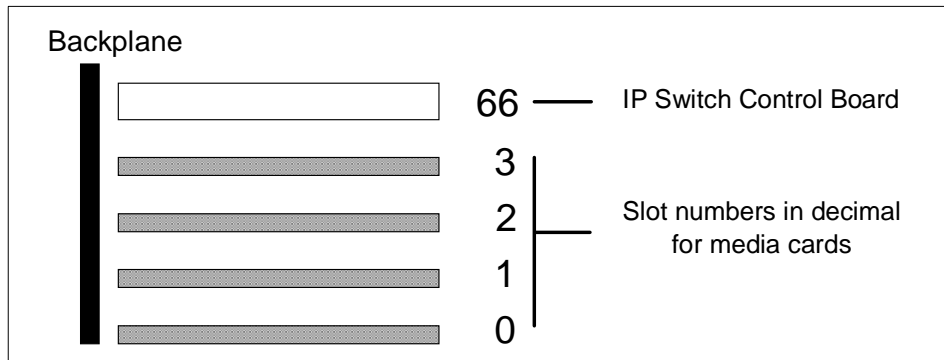


Figure 15. Side View of GRF 400 Chassis with Slots Numbered

The GRF 1600 has 16 media slots. The control board is located in slot 66, as shown in Figure 16.

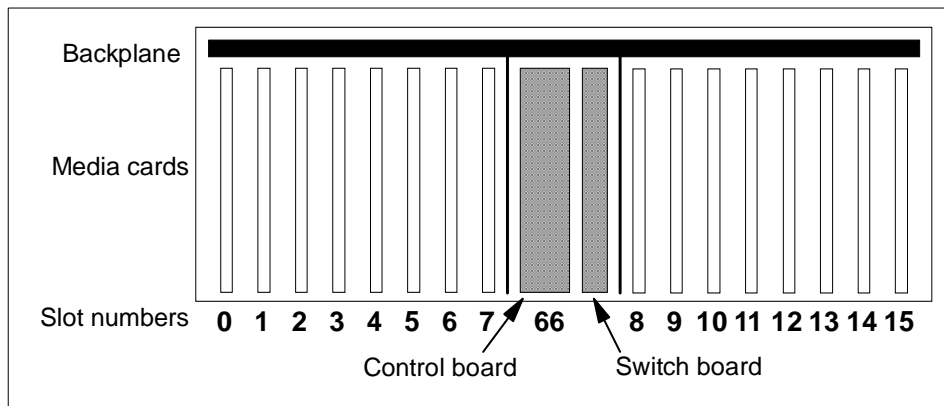


Figure 16. Top View of the GRF 1600 Chassis

The CPU in the IP Switch Control Board is a 166MHz Pentium processor and runs a variant of BSD UNIX as its operating system. For this reason, the GRF administrator is assumed to be proficient in UNIX.

The IP Switch Control Board is used to install, boot, and configure the router and its media adapters.

It is also used for the logging of messages, the dumping of memory and status, and to perform diagnostic checking of both the GRF and the media adapters.

2.3.3.1 Route Manager

As already mentioned, the router management takes place on the IP Switch Control Board.

Specific functions of the Route Manager are:

- It processes all dynamic routing packets.
- It synchronizes the route tables on the media cards.
- It controls the media cards: issues interrupts and resets to individual media cards and downloads executable programs and connection information.

2.3.3.2 IP Switch Control Board Components

Let us examine the IP Switch Control Board in more detail.

Figure 17 shows all the components of the IP Switch Control Board:

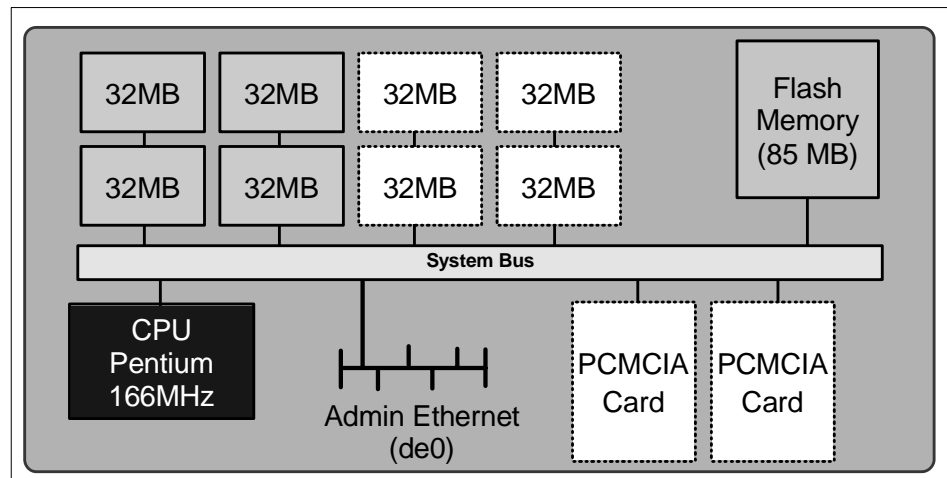


Figure 17. IP Switch Control Board

ItemDescription

MemoryThe IP Switch Control Board comes standard with 128 MB of memory (the four shaded blocks of 32 MB of memory in the upper left corner).

The memory can be upgraded to 256 MB, in increments of 64 MB (the four white blocks of memory).

The system uses the first 32 MB of memory for file system storage. The top half is used for applications such as the SNMP agent, the gated daemon, and for the operating system.

Flash memoryThis memory (the 85 MB ATA flash memory on the system) is used to store the operating system information and the configuration information for the GRF.

System busThis bus is used by the IP Switch Control Board components to communicate with each other.

Pentium processorThis 166 MHz processor drives the IP Switch Control Board and the GRF. As previously mentioned, this processor runs a variant of BSD UNIX, and so it is useful for the GRF administrator to have UNIX management skills.

Administrative EthernetThis Ethernet is known to the GRF as de0. This port supports the 10BaseT or the 100BaseT Ethernets and switches between them automatically, depending on the type of network used.

To use 10Base2 or 10Base5, the user must add a transceiver (supplied by the user).

PCMCIA cardsThe two white blocks at the bottom right corner of the figure are PCMCIA slots.

There are two types of PCMCIA cards:

- Slot A on the 9077 is configured with a 520 MB disk drive. This disk is used to hold the log of the GRF. It may also be used to backup the configuration of the GRF. Making a backup is strongly recommended.
- The PCMCIA modem card, also available as an optional device, allows the user to dial into the GRF through a modem to administer it remotely.

Note: For the initial setup, the console must be available locally, not through the modem.

Additionally, the RS232 port (which is not shown in the figure) allows you to connect the VT100 console by using an RS232 null modem cable. The console and cable must be supplied by the user.

2.3.4 Memory Guidelines for the IP Switch Control Board

As already mentioned, the GRF base system comes with 128 MB of memory. In all GRF memory configurations, 32 MB are used for the file system and the remainder is used for system operations. For example, in the base system, there are 128 MB of total memory, 32 MB of available memory and 78 MB of usable memory. (Refer to Table 1 on page 35 for detailed memory configuration information). Up to six additional 32 MB DRAM SIMMS may be added to support larger dynamic routing tables and larger numbers of peers (for a total of 256 MB, 204 MB usable).

The following table provides guidelines for memory configuration. All media cards can hold up to 150 KB route entries. The control board, depending on memory configuration, can hold 35,805 to 521,730 route prefixes. Select the amount of memory according to your routing environment. Additional memory may be required for higher average numbers of routes per BGP peer.

Table 1. Memory Configuration

Customer Profile	Total Mem.	Avail.	Usable	No. of Route Entries on Media Cards	No. of Route Prefixes in Dynamic Database	No. of Peer Sess.
Static Routing	64 MB	32 MB	14 MB	150 KB	35805	0
Small POP	128 MB	96 MB	78 MB	150 KB	199485	3
Medium POP/ ISP Backbone	192 MB	160 MB	142 MB	150 KB	362165	7
Large POP/ Exchange Point/ Route Reflection Server	256 MB	224 MB	204 MB	150 KB	521730	10

Figure 18 gives an overview of the memory layout and the possible memory extensions.

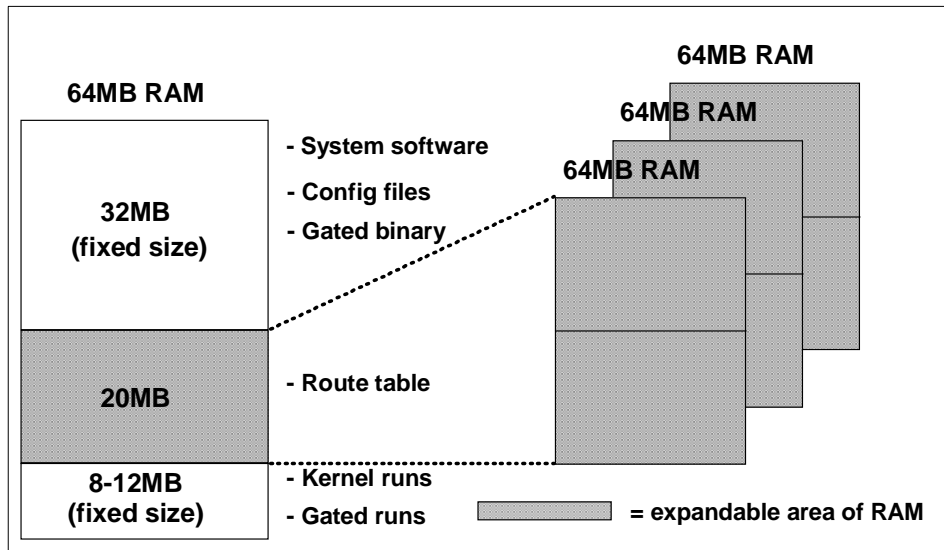


Figure 18. System RAM

2.3.5 Characteristics of GRF Media Cards

All GRF media cards (media adapters) are self-contained and independent of other media adapters.

Each media card has an onboard processor that is responsible for IP forwarding on the media adapter.

Each media card has two independent memory buffers, a 4 MB send buffer and a 4 MB receive buffer. These buffers are necessary to balance the speed differences between the media adapters, because they have different transfer rates.

Each onboard processor has local memory that can contain a local route table with up to 150,000 entries, to be used for routing on the media adapter. Because these route entries are in local memory, access to them is very fast. When the media adapter is started up, it gets its initial route entries from the IP Switch Control Board.

2.3.6 SP Switch Router Adapter

The GRF supports a number of media adapters. Figure 19 describes the SP Switch Router Adapter in detail. This adapter allows the GRF to connect directly into the SP Switch.

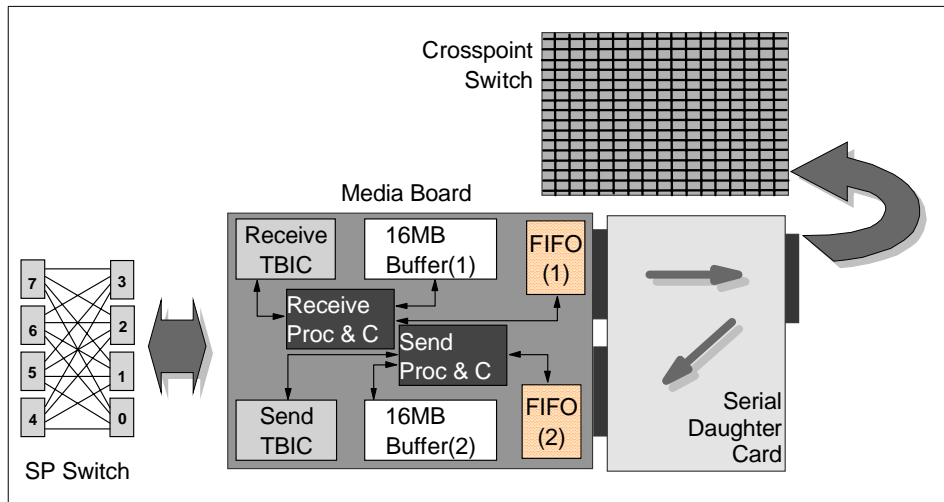


Figure 19. SP Switch Router Adapter

The SP Switch Router Adapter is made up of two parts: the media board and a serial daughter card.

The serial daughter card is an interface for the media board into the crosspoint switch. This switch is the medium by which the GRF (media) adapters talk to each other.

The purpose of the media board is to route IP packets to their intended destination through the GRF. The SP Switch Router adapter described here is used for routing IP packets to and from the SP Switch to other systems connected directly or indirectly to the GRF. A brief description of the components on the media board follows.

Receive TBIC This component receives data segments from the SP Switch and notifies the Receive Controller and Processor that there is data to be transferred to the buffer.

Receive Controller

and ProcessorThis component recognizes the SP Switch segments and assembles them into IP packets in the 16 MB buffer. Up to 256 IP datagrams can be handled simultaneously. When a complete IP packet has been received, the Receive Controller sends the packet to the FIFO (1) queue for transfer to the serial daughter card.

Buffer (1)This component is segmented into 256 64 KB IP packet buffers. It is used to reassemble IP packets before sending them to the FIFO queue, as switch data segments may arrive out of order and interleaved with segments belonging to different IP packets.

FIFO (1)This component is used to transfer complete IP packets to the serial daughter card and even the flow of data between the SP and GRF crosspoint switch.

FIFO (2)This component receives IP packets from the serial daughter card and transfers them to Buffer (2).

Buffer (2)This buffer is used to temporarily store the IP packet while its IP address is examined and a proper SP Switch route is set up to transfer the packet through the SP Switch.

Send Controller

and ProcessorThis component is notified when an IP packet is received in the FIFO (2) queue and sets up a DMA transfer to send the packet to Buffer (2). The Send Processor looks up the IP address in the packet header and determines the SP Switch route for the packet, before notifying the Send Controller to send the packet to the Send TBIC from Buffer (2).

Send TBICThis component receives data from Buffer (2) and sends it in SP Switch data segments to the SP Switch.

2.3.7 Media Card Performance

The SP Switch Router adapter has the following performance characteristics:

- It is able to transfer up to 100 MB per second. The limiting factor is the crosspoint switch connection bandwidth.

- It is able to transfer up to 30,000 packets per second. At 20,000 packets per second, each packet needs to be at 5 KB in order to achieve the 100 MB per second transfer rate mentioned.
- As previously mentioned, each adapter stores its own route tables in memory. Therefore, route table lookup is very fast, that is, less than 2.5 μ s.
- Finally, each media adapter has a 1 Gbit per second dedicated link into the crosspoint switch. That is why the 4-port and 16-port models have an aggregate bandwidth of 4 Gbit and 16 Gbit per second, respectively, for the crosspoint switch.

2.3.8 Other Media Cards

The following are other media cards and adapters currently supported on the GRF:

EthernetThe 10/100 Mb Ethernet media adapter consists of eight 10/100BaseT Ethernet ports. All ports support only shielded twisted pair (STP) and unshielded twisted pair (UTP-5) copper cables. Other types of cables require the user to supply the appropriate transceivers.

ATM OC-3cThe ATM OC-3c media adapter allows the user to connect up to two connections into the ATM network at 155 Mb/s.

ATM OC-12cThe ATM OC-12c media adapter allows the GRF to connect to a single ATM network at speeds of up to 622 Mb per second.

FDDIThe FDDI media card provides four ports in the card. These ports allow the media card to be connected into the Fiber Distributed Data Interchange (FDDI). The four ports can be configured such that they support the following:

- Two dual-ring FDDI networks
- One dual-ring and two single-ring FDDI networks
- Four single-ring FDDI networks

HIPPIThe HIPPI media adapter is a single-port card that allows the GRF to connect to a High Performance Parallel Interface (HIPPI) network at speeds of up to 800 or 1600 Mb/s. After deducting the overhead, this medium can support connections of up to 100 MB/s.

HSSIThe High Speed Serial Interface (HSSI) is a dual-ported media adapter that can connect to two serial networks simultaneously. Each port is capable of up to 45 Mb per second.

IP/SONETThe IP/SONET OC-3c is a single-ported card that allows the user to connect to a digital network using a transmission format known as Synchronous Optical Network protocol (SONET). This standard is increasingly popular in the telecommunications industry.

2.3.9 GRF Operating Environment

As previously mentioned, the operating temperature should not exceed 53 °C (128 °F). Even though there is a buffer between the operating temperature and the warning temperature, it is best to keep the temperature within the operating level in order to minimize the possibility of damage to GRF components.

2.4 PSSP Enhancements

This section discusses the enhancements made to PSSP to accommodate the Dependent Node Architecture.

2.4.1 SDR Enhancements

As mentioned in Section 2.1.2, “Design Objectives” on page 8, the System Data Repository (SDR) needed to be extended to support the dependent node architecture. Two classes have been added to the SDR.

- DependentNode
- DependentAdapter

2.4.1.1 DependentNode Attributes

The attributes of the DependentNode class are described in Table 2:

Table 2. *DependentNode Attributes*

User Defined	System Defined
node_number	switch_node_number
extension_node_identifier	switch_number
reliable_hostname	switch_chip
management_agent_hostname	switch_chip_port
snmp_community_name	switch_partition_number

The attributes of the DependentNode class are described in detail as follows:

AttributeDescription

node_numberThis user-supplied node number represents the node position of an unused SP Switch port used for the SP Switch router adapter.

extension_node_identifierThis is a 2-digit slot number that the SP Switch router adapter occupies on the GRF. Its range is from 00 to 15.

reliable_hostnameThe hostname of the administrative Ethernet, de0, is the GRF's hostname. Use the long version of the hostname when DNS is used.

management_agent_hostnameThis attribute is the hostname of the SNMP agent for the GRF. For the GRF dependent node, this is the same as the reliable_hostname.

snmp_community_nameThis field contains the SNMP community name that the SP Extension Node SNMP Manager and the GRF's SNMP Agent will send in the corresponding field of the SNMP messages. This value must match the value specified in the /etc/snmpd.conf file. If left blank, a default name found in the SP Switch Router Adapter documentation is used.

The following attributes are derived by the RS/6000 SP system when the SDR_config routine of `endefnode` is invoked.

AttributeDescription

switch_node_numberThe switch port that the dependent node is attached to.

switch_numberThe switch board that the dependent node is attached to.

switch_chipThe switch chip that the dependent node is attached to.

switch_chip_portThe switch chip port that the dependent node is attached to.

switch_partition_numberThe partition number to which the dependent node belongs.

2.4.1.2 DependentAdapter Attributes

The attributes of the DependentAdapter class are described in Table 3:

Table 3. DependentAdapter Attributes

User Defined	System Defined
node_number	-
netaddr	-
netmask	-

The attributes of the DependentAdapter class are described in detail as follows:

AttributeDescription

node_numberThis user-supplied node number represents the node position of an unused SP Switch port to be used by the SP Switch router adapter.

netaddrThis is the IP address of the SP Switch Router adapter.

netmaskThis is the netmask of the SP Switch Router adapter.

2.4.1.3 Additional Attributes

As Table 4 shows, additional attributes are added to the Syspar_map_class and the Switch_partition classes:

Table 4. Additional SDR Attributes

Syspar_map class	Switch_partition class
...	...
node_type	switch_max_ltu
	switch_link_delay

Details of these attributes follow:

AttributeDescription

node_typeThis attribute is set to *dependent* for GRF and to *standard* for all other RS/6000 SP nodes.

switch_max_ltuThis specifies the maximum packet length of data on the SP Switch; the default is 1024. *Do not change this value for any reason.*

switch_link_delaySpecifies the delay for a message to be sent between the two furthest points on the switch; the default is 31. *Do not change this value for any reason.*

2.4.2 New Commands

To support the dependent node architecture, seven new commands were added. These commands can be divided into two groups. The first group must only be executed with root permission on the Control Workstation. The second group can be executed by any user on any standard RS/6000 SP node.

Table 5 shows a list of commands of the first group:

Table 5. New Commands (root Executable)

Command	Description
<code>endefnode</code>	Define or change an dependent node
<code>enrmnode</code>	Remove a dependent node
<code>endefadapter</code>	Define or change an dependent node
<code>enrmadapter</code>	Remove an dependent node adapter
<code>enadmin</code>	Reconfigure or reset the dependent node

The first four commands all have the same characteristics, which are as follows:

- They are part of the `ssp.basic` fileset.
- They must only be executed on the Control Workstation.
- They can only be executed by the root user.
- They only affect the current active partition.
- They only affect the SDR, unless the `-r` option is specified (this option is not applicable to `enrmadapter`).
- They return a code of 0 if successful, 1 if failed.

The `enadmin` command is used to change the administrative state of a dependent node in the GRF; it has the following characteristics:

- It is part of the `ssp.spmgr` fileset.
- It must only be executed on the Control Workstation.
- It can only be executed by the root user.
- The `-r` option from `endefnode` and `endefadapter` triggers `enadmin -a reconfigure`, while the `-r` option from `enrnode` triggers `enadmin -a reset`.
- The return code is 0 if successful, 1 if failed.

Table 6 shows the list of commands from the second group (executable by any user on any standard node):

Table 6. *New Commands (User Executable)*

Command	Description
<code>splstnodes</code>	List SP nodes
<code>splstadapters</code>	List SP adapter

These commands have the following characteristics:

- They are part of the `ssp.basic` fileset.
- They can be executed on any standard RS/6000 SP node.
- They can be executed by any user.
- They only affect the current active partition unless the `-G` option is used.

The following sections describe the commands in more detail.

2.4.2.1 The `endefnode` Command

The `endefnode` command can be executed using `smit`. The fast path for `smit` is `enter_extnode`. This command is used to add or change an extension node in the SDR DependentNode class. Its options are shown in Table 7 on page 45.

Table 7. *endefnode* Command Options

Flags	SMIT Option	Description
-a	Administrative hostname	This is the hostname of the GRF, and the IP name of the GRF's administrative Ethernet, de0. Use long names if DNS is used in the network.
-c	SNMP community name	This field contains the SNMP community name that the SP extension node SNMP Manager and the GRF's SNMP agent send in the corresponding field of the SNMP messages. This value must match the value specified in the /etc/snmpd.conf file on the GRF. If left blank, a default name found in the SP Switch Router Adapter documentation is used.
-i	Extension node	This field contains the two-digit slot number of the SP Switch Router Adapter on the GRF. The value for this field is from 00-15 and is shown on the slots of the GRF.
-s	SNMP Agent hostname	This field refers to the hostname of the processor running the SNMP Agent for the GRF. In the current version of the GRF, this value is equivalent to that of the Administrative Hostname.
-r	Reconfigure the extension node	This field specifies whether the <code>enadmin</code> command is to be activated after the <code>endefnode</code> command completes. It is placed here so that the user does not have to explicitly issue the <code>enadmin</code> command. If the specification is <code>yes</code> , the <code>-r</code> option is part of the command. If the specification is <code>no</code> , the <code>-r</code> option is not part of the command.
	Node number	This is the node number the extension node logically occupies in the RS/6000 SP.

This command adds attribute information for the extension node. The `endefadapter` command adds IP information, such as the IP address and netmask for the extension node. Together, these two commands define the extension node.

Attention

Note that this command only affects the SDR, unless the `-r` option is used. The `-r` option should be issued only if `endefadapter` has been executed for the extension node.

When the GRF is properly configured and powered on, with the SP Switch Router Adapter inside, it periodically polls the Control Workstation for configuration data. The `-r` option or `enadmin` command is not required to activate the polling here.

2.4.2.2 The `enrmnode` Command

The `enrmnode` command is used to remove an extension node from the SDR `DependentNode` class and can also be executed using `smit`. The fast path for `smit` is `delete_extnode`. Its options are shown in Table 8.

Table 8. `enrmnode` Command Options

Flags	SMIT Option	Description
<code>-r</code>	Reset the extension node	Specifies whether the <code>enadmin</code> command is to be activated after the <code>enrmnode</code> command completes. With this option the user does not have to explicitly issue the <code>enadmin</code> command. If the specification is <code>yes</code> , the <code>-r</code> option is part of the command. If the specification is <code>no</code> , the <code>-r</code> option is not part of the command.
	Node number	This is the node number the extension node logically occupies in the RS/6000 SP.

Attention

Note that this command only affects the SDR, unless the `-r` option is used. This command should be issued with a `-r` flag, because the `enadmin` command is not available for the extension node after `enrmnode` is executed, since the extension node has been removed from the SDR.

2.4.2.3 The `endefadapter` Command

The `endefadapter` command is used to add or change the extension node adapter IP information in the SDR `DependentAdapter` object, and can be executed using `smit`. The fast path for `smit` is `enter_extadapter`. The command options are shown in Table 9.

Table 9. `endefadapter` Command Options

Flags	SMIT Option	Description
-a	Network address	Specifies the IP address of the extension node.
-m	Network netmask	Specifies the netmask for the extension node.
-r	Reconfigure the extension node	Specifies if the <code>enadmin</code> command is to be activated after the <code>endefadapter</code> command completes. With this option, the user does not have to explicitly issue the <code>enadmin</code> command. If the specification is <code>yes</code> , the <code>-r</code> option is part of the command. If the specification is <code>no</code> , the <code>-r</code> option is not part of the command.
	Node number	This is the node number the extension node logically occupies in the RS/6000 SP.

Attention

Note that this command only affects the SDR, unless the `-r` option is issued. The `-r` option should be issued only if the `endefnode` has been executed for the extension node.

When the GRF is properly configured and powered on, with the SP Switch Router Adapter inside, it periodically polls the Control Workstation for configuration data. The `-r` option or `enadmin` command is not required to activate the polling here.

2.4.2.4 The `enrmdapter` Command

The `enrmdapter` command is used to remove the SDR `DependentAdapter` object, and can also be executed using `smit`. The fast path for `smit` is `delete_extadapter`.

2.4.2.5 The enadmin Command

The `enadmin` command is used to change the status of the SP Switch router adapter in the GRF and can also be executed using `smit`. The fast path for `smit` is `manage_extnode`. The command options are shown in Table 10.

Table 10. `enadmin` Command Options

Flags	SMIT Option	Description
-a	Actions to be performed on the extension node	Either <code>reset</code> or <code>reconfigure</code> . A <code>reset</code> is sent to the extension node SNMP Agent to change the target node to a down state (not active on the SP Switch). A <code>reconfigure</code> is sent to the extension node SNMP Agent to trigger reconfiguration of the target node, which causes the SNMP Agent to request new configuration parameters from the SP extension node SNMP Manager, and to reconfigure the target node when the new parameters are received.
	Node number	This is the node number the extension node logically occupies in the RS/6000 SP.

2.4.2.6 The splstnodes Command

The `splstnodes` command is used to list the node attributes of all nodes in the SDR, and can also be executed using `smit`. The fast path for `smit` is `list_extnode`. See all command options in Table 11.

Table 11. *splstnode Command Options*

Flags	Description
-h	Outputs usage information.
-G	Ignores partition boundaries for that output.
-x	Inhibits header record in the output.
-d <delimiter>	Uses the <delimiter> between its attributes in the output.
-p <string>	Uses the <string> value in the output in place of an attribute that has no value.
-s <attr>	Sorts the output using the <attr> value. In SMIT, this field is known as Sort Attribute.
-t <node_type>	Uses <code>standard</code> to list RS/6000 SP nodes, or <code>dependent</code> . If none is specified, it displays <code>standard</code> and <code>dependent</code> . In SMIT, this field is known as Node Type.
-N <node_grp>	Restricts the query to the nodes belonging to the node group specified in <node_grp>. If the <node_grp> specified is a system node group, the -G flag is implied.
<attr==value>	This operand is used to filter the output, such that only nodes with attributes that are equivalent to the value specified are displayed. In SMIT, this field is known as Query Attribute.
<attr>	This is a list containing attributes that are displayed by the command. If none is specified, it defaults to node number. This list of attributes can be found in the <code>DependentNode</code> class. In SMIT, this field is known as Attribute.

2.4.2.7 The splstapters Command

The `splstapters` command is used to list the adapter attributes of all nodes in the SDR, and can also be executed using `smit`. The fast path for `smit` is `list_extadapter`. See all command options in Table 12.

Table 12. `splstadapter` Command Options

Flags	Description
-h	Outputs usage information.
-G	Ignores partition boundaries for its output.
-x	Inhibits header record in the output.
-d <delimiter>	Uses the <delimiter> between its attributes in the output.
-p <string>	Uses the <string> value in the output in place of an attribute that has no value.
-t <node_type>	Uses <code>standard</code> to list RS/6000 SP nodes, or <code>dependent</code> . If none is specified, it displays <code>standard</code> and <code>dependent</code> . In SMIT, this field is known as Node Type.
<attr==value>	This operand is used to filter the output, such that only nodes with attributes that are equivalent to the value specified are displayed. In SMIT, this field is known as Query Attribute.
<attr>	This is a list containing attributes that are displayed by the command. If none is specified, it defaults to node number. This list of attributes can be found in the Adapter and DependentAdapter class. In SMIT, this field is known as Output Attribute.

2.4.3 Enhanced Commands

The following commands (see Table 13) have been modified due to the introduction of the dependent node:

Table 13. *Enhanced Commands*

Command	Comment
Eprimary	The dependent node cannot be the Primary node.
Estart	The dependent Node depends on the Primary node to calculate the routes.
Efence	Enhanced for dependent node support.
Eunfence	Enhanced for dependent node support.

Here is a more detailed description about the modifications:

- Eprimary

This command has been modified so that dependent nodes will not be able to act as a Primary or Primary Backup node for the SP Switch in the partition. The dependent node does not run the RS/6000 SP Switch codes like standard RS/6000 SP nodes and therefore does not have the ability to act as the Primary or Primary Backup node.

- Estart

This command functions as it does with normal nodes. It was enhanced to support the depend node in the RS/6000 SP.

- Efence

This command functions as it does with normal nodes in the RS/6000 SP. In addition, the dependent node can be fenced from the SP Switch with autojoin like any other standard RS/6000 SP node.

- Eunfence

This command functions as it does with normal nodes in the RS/6000 SP. In addition, the dependent node can rejoin the SP Switch network with this command, if that node was previously removed from the switch network due to failures or Efence.

2.4.4 Hardware Perspectives

In Perspectives *IP Node* is used as a convenient and short descriptive term easily displayed in the GUI. It conveys the role and functions of the dependent node. Currently, this is the only dependent node.

In Figure 20 we show the changes made to Perspectives because of the introduction of the IP Node. The changes are restricted to the Hardware and System Partition Aid Perspectives.

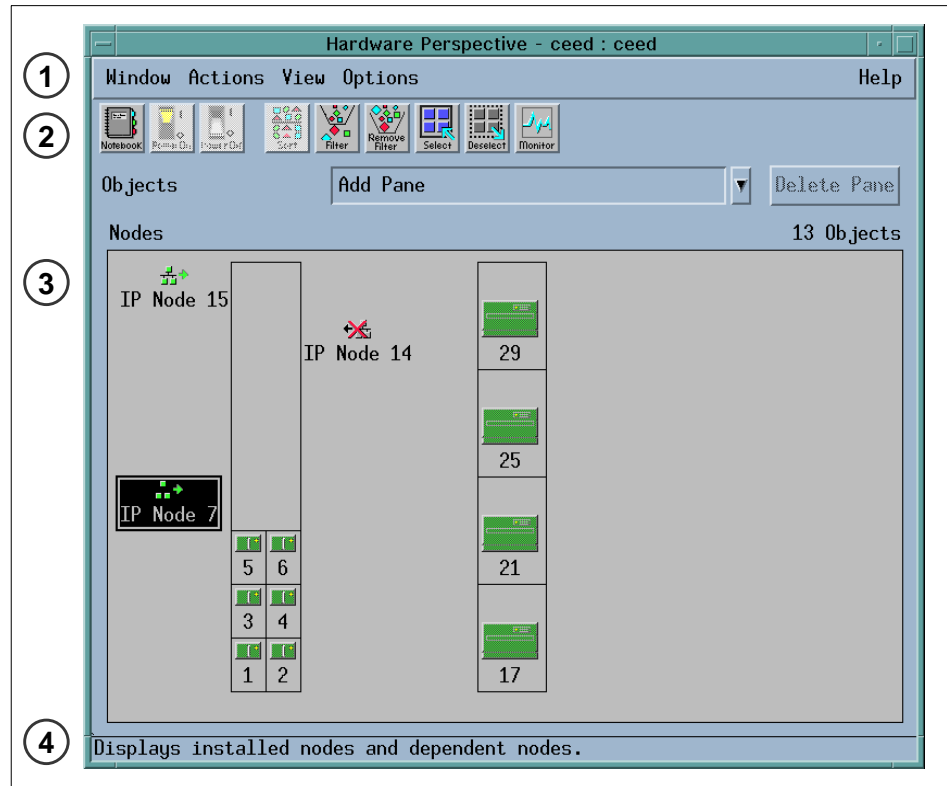


Figure 20. Hardware Perspectives

This figure shows the Hardware Perspectives, which can be started using the command `perspectives` and selecting the **Hardware** icon. Alternatively, it can be started directly via the command `sphardware`.

The Hardware Perspective consists of the following four parts:

1. Menu bar
2. Toolbar

3. Nodes pane (Frame or Icon View)

4. Information area

The most obvious change is the addition of the IP Node icon as seen in the Nodes pane. (The figure above shows the Frame View.) The default label for this icon is IP Node <node number>.

The IP Node icon is also located on the side of the frame, where a standard node with that node number would be. In this figure the IP Nodes are 7, 14 and 15.

When switch_responds is monitored, it shows the IP Node in two states:

- Green when working with the SP Switch.
- Marked with a red cross when fenced or not operating due to hardware or configuration problems.

In the figure, IP Node 7 and 15 are working, while IP Node 14 is down.

2.4.4.1 Action Menu

In Figure 21 on page 54, we see that **IP Node 7** is selected in the Nodes pane, and **Actions->Nodes** is selected in the menu bar (1). We see that only the following five actions are available:

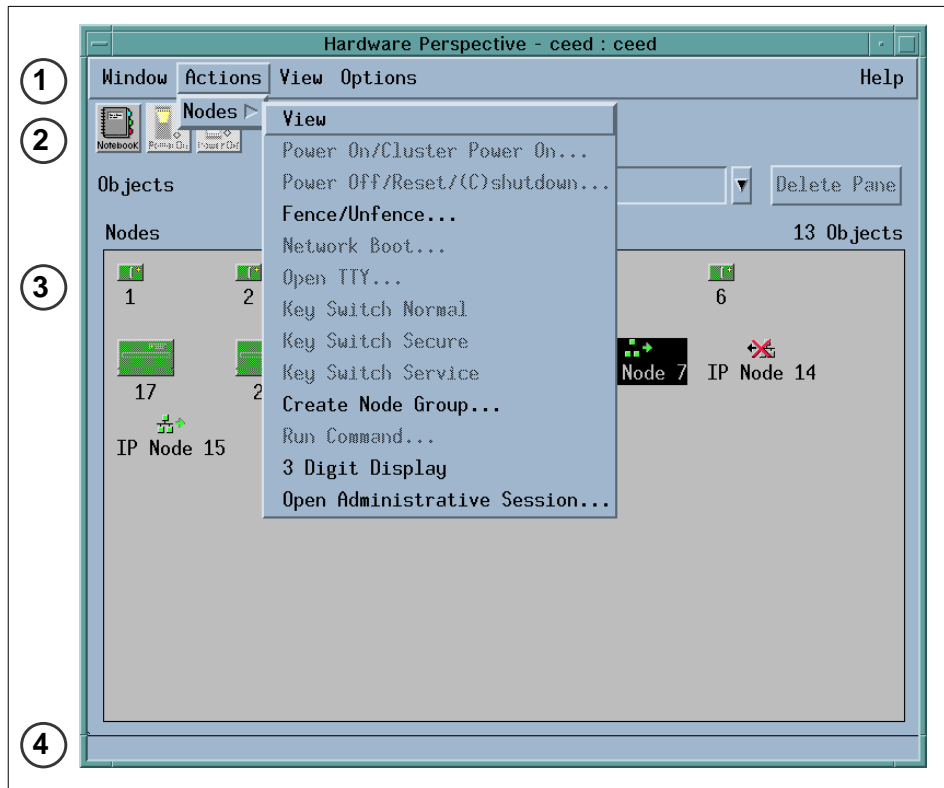


Figure 21. Action Menu

- View
This will bring up the IP Node's hardware notebook, shown in the next figure.
- Fence/Unfence...
This will bring up another window to allow us to either fence or unfence an IP Node. If we are fencing the IP Node, we can use the option of autojoin.
- Create Node Group...
This will bring up another window to allow us to add the RS/6000 SP nodes to a Node Group. This action does not affect the IP Node, even though it is selectable.
- 3 Digit Display

This will bring up a window to show the three-digit display of all RS/6000 SP standard nodes in the current partition. This action does not apply to the IP Node, even though it is selectable.

- Open Administrative Session...

This action will open a window that is a Telnet session to the GRF, using the `reliable_hostname` attribute specified in the `DependentNode` class.

In addition, the Nodes pane in this figure shows the Icon View. In this view, the IP Node icons are always located after all the standard RS/6000 SP node icons. The results of monitoring the IP Nodes and the icon labels are the same as those of Frame View, mentioned in the previous figure.

2.4.4.2 Hardware Notebook

Figure 22 shows the IP Node hardware notebook. This notebook can be triggered by selecting the **Notebook** icon on the Hardware Perspective toolbar (2), or selecting **Action->Nodes->View** in the menu bar (1).

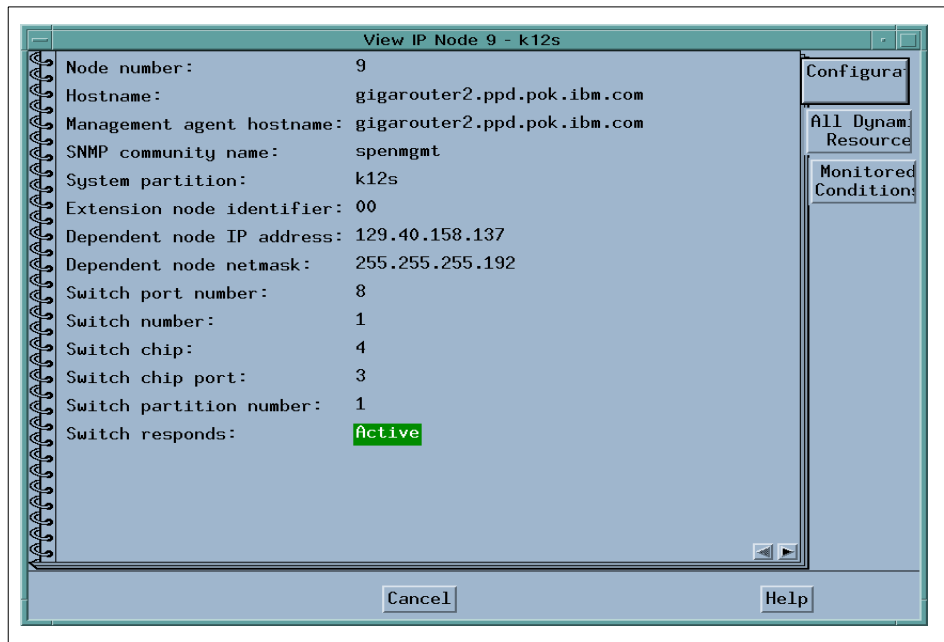


Figure 22. Hardware Notebook

The notebook has three tabs: Configuration, All Dynamic Resource Variables, and Monitored Conditions. This figure shows the Configuration tab.

These are the attributes listed in the Configuration tab:

- Node number
- Hostname
- Management agent hostname
- SNMP community name
- System partition
- Extension node identifier
- Dependent node IP address
- Dependent node netmask
- Switch port number
- Switch number
- Switch chip
- Switch chip port
- Switch partition number
- Switch responds

The All Dynamic Resource Variables tab only shows the state of the Switch Responds, and the Monitored Conditions tab only shows the value of the *Switch Responds* if it is being monitored.

2.4.4.3 System Partition Aid Perspectives

The System Partition Aid Perspectives window in Figure 23 on page 57 has two panes, the Nodes pane and the System partitions pane. The Nodes pane (3) in this figure shows the Icon view. Notice that the IP Nodes are displayed after all the standard RS/6000 SP nodes.

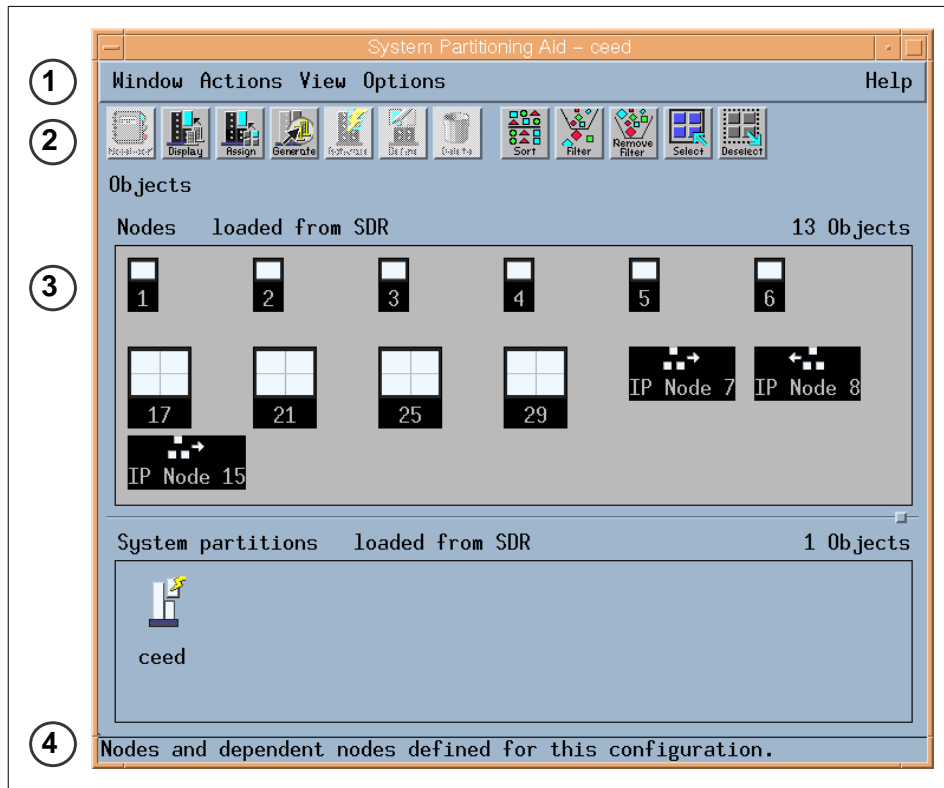


Figure 23. System Partition Aid Perspectives

The IP Nodes can only be assigned to a partition here. This is done either by using the **Assign** icon in the toolbar (2), or by selecting **Action->Nodes->Assign Nodes to System Partition** on the menu bar (1). Except for the System Partition Notebook, discussed in the next figure, all other actions, though selectable, do not apply to the IP Node.

2.4.4.4 System Partition Aid Notebook

Figure 24 on page 58 shows the IP Node System Partition Aid Notebook. This notebook can be triggered by selecting the **Notebook** icon on the Hardware Perspective toolbar (2), or selecting **Action->Nodes->View** on the menu bar (1).

The notebook only has the Node Information tab shown in this figure.

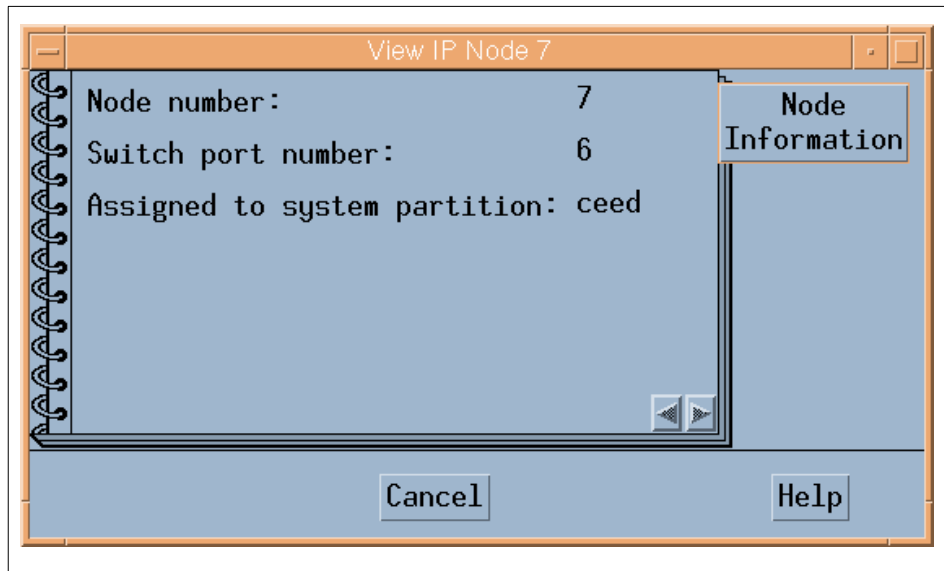


Figure 24. System Partition Aid Notebook

These attributes are listed in the Node Information tab:

- Node number
- Switch port number
- Assigned to system partition

2.4.5 SP Extension Node SNMP Manager

The SP Extension Node SNMP manager is contained in the ssp.spmgr file set of PSSP. This file set must be installed on the Control Workstation in order for the GRF to function as an extension node.

The SP Extension Node SNMP manager is an SNMP manager administered by the System Resource Controller. The purpose of the SNMP manager is to communicate with the SNMP agent on the GRF. The SNMP manager and the agent adhere to Version 1 of the SNMP protocol. The SNMP manager sends configuration data for an extension node to the SNMP agent on the GRF. The SNMP agent applies the configuration data to the SP Switch Router Adapter represented by the extension node. The SNMP agent also sends asynchronous notifications in the form of SNMP traps to the SNMP Manager when the extension node changes state. The following commands are available to control the SP Extension Node SNMP Manager:

- startsrc

- stopsrc
- lssrc
- traceson
- tracesoff

2.4.6 Dependent Node MIB

IBM has defined a dependent node SNMP Management Information Base (MIB) called `ibmSPDepNode`. This MIB contains definitions of objects representing configuration attributes of each dependent node and its state. The GRF Agent maintains the state and configuration data for each dependent node using the MIB as a conceptual database.

The MIB defines a single table of up to 16 entries representing the adapter slots in the GRF. When a slot is populated by an SP Switch Router Adapter, the entry in the table, accessed using the extension node identifier, contains the configuration attribute and state values for the adapter in the slot. Also included in the MIB are the definitions of trap messages sent by the GRF agent to the SP Extension Node SNMP Manager. A copy of the MIB is contained in the file `/usr/lpp/ssp/config/spmgrd/ibmSPDepNode.my` on the Control Workstation.

Other SNMP managers in the network can query this MIB table to validate the configuration and status of the dependent node and GRF. However, only an SNMP manager using the correct SNMP community name can change the values in the MIB table.

Following is a listing of MIB entries:

EntryDefinition

ibmSPDepNode Object identifier for the dependent node in the MIB database.

ibmSPDepNodeTable Table of entries for dependent nodes.

ibmSPDepNodeEntry A list of objects comprising a row and a clause in `ibmSPDepNodeTable`. The clause indicates which object is used as an index into the table to obtain a table entry.

ibmSPDepNodeName The `extension_node_identifier` attribute in the `DependentNode` class.

ibmSPDepNodeNumber The `node_number` attribute in the `DependentNode` class.

- ibmSPDepSwToken**A combination of switch_number, switch_chip and switch_chip_port attributes from the DependentNode class.
- ibmSPDepSwArp**The arp_enabled attribute in the Switch_partition class.
- ibmSPDepSwNodeNumber**The switch_node_number attribute in the DependentNode class.
- ibmSPDepIPAddr**The netaddr attribute in the DependentAdapter class.
- ibmSPDepNetMask**The netmask attribute in the DependentAdapter class.
- ibmSPDepIPMaxLinkPkt**The switch_max_ltu attribute in the Switch_partition class.
- ibmSPDepIPHostOffset**This attribute stores the difference between the host portion of a node's IP address and its corresponding switch node number. When ARP is disabled on the SP Switch network, this offset is subtracted from the host portion of the IP address to calculate the switch node number.
- ibmSPDepConfigState**The six config states of the dependent node are: notConfigured, firmwareLoadFailed, driverLoadFailed, diagnosticFailed, microcodeLoadFailed, and fullyConfigured, for use in configuring the adapter.
- ibmSPDepSysName**The syspar_name attribute in the Syspar class.
- ibmSPDepNodeState**The value of nodeUp or nodeDown, to show the status of the dependent node.
- ibmSPDepSwChipLink**The switch_chip_port attribute in the DependentNode class.
- ibmSPDepNodeDelay**The switch_link_delay attribute in the Switch_partition class.
- ibmSPDepAdminState**The value of up, down, or reconfigure, indicating the desired state of the dependent node. If the dependent node is not in its desired state, the SNMP agent on the GRF will trigger the appropriate action to change its state.

2.4.7 Coexistence

Figure 25 shows a single-frame RS/6000 SP in a single partition with a connection to the GRF. Nodes 1 and 2 are installed with PSSP 2.4. The other nodes are installed with any other version of PSSP that can coexist with

PSSP 2.4 to represent coexistence. Also, note that Node 16 is empty, because the SP Switch port for this node is used by the SP Switch router adapter in the GRF.

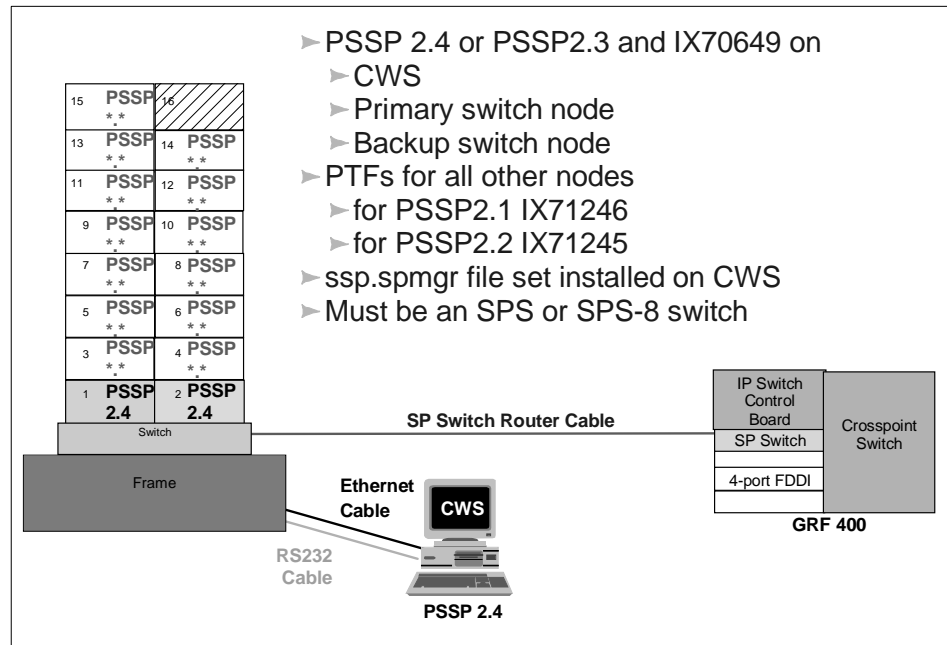


Figure 25. Coexistence

The dependent node is only supported in PSSP 2.3 and higher PSSP versions. To use it with nodes with PSSP versions less than 2.3 requires the use of *coexistence*. The following conditions are required for the dependent node to communicate with nodes with a lower version than 2.3 using coexistence:

- The Control Workstation must be at PSSP 2.3 or higher to manage dependent nodes.
- The Primary node of the SP Switch must be at PSSP 2.3 or higher, as the Primary node needs to perform some tasks for the dependent node and these functions are only available in PSSP 2.3 and higher PSSP versions.
- The Primary Backup node of the SP Switch should be PSSP 2.3 or higher so that if the Primary node fails, the dependent node can continue to function in the RS/6000 SP when the Backup node takes over.

- All RS/6000 SP nodes with a version less than PSSP 2.3 in the partition need to maintain the right level of fixes (PTFs) in order for coexistence with PSSP 2.4 to take place.
- The ssp.spmgr file set must be installed on the Control Workstation.
- Because the SP Switch router adapter will only work with the 8-port or 16-port SP Switch, make sure that the switch used in the RS/6000 SP is not a High Performance Switch (HiPS).
- There must be at least one free SP Switch port to install the SP Switch router adapter.

Important

When the Primary switch node fails, the Primary Backup Switch node take over as the new Primary switch node. The new Primary Backup switch node, selected from the current partition, can be a node with a PSSP level below 2.3, even though another node with a PSSP level of 2.3 or higher may exist in that partition. The only way to ensure that the new Backup switch node is at PSSP 2.3 or higher is to manually check the RS/6000 SP system. If the PSSP Version of the Primary Backup switch node is below Version 2.3 you have to chose a node with PSSP 2.3 or higher as the Primary Backup switch node.

If a node running a version of PSSP earlier then 2.3 is selected as the new primary node, the SP Switch Router Adapter will be fenced from the switch.

2.4.8 Partitioning

Figure 26 on page 63 shows a single-frame RS/6000 SP broken into two partitions, Partition A and Partition B. Each partition has seven standard RS/6000 SP nodes and one dependent node. Only seven nodes are allowed in each partition, as a single-frame RS/6000 SP has only 16 SP Switch ports, and two of them are used for the SP Switch router adapter, one for each partition.

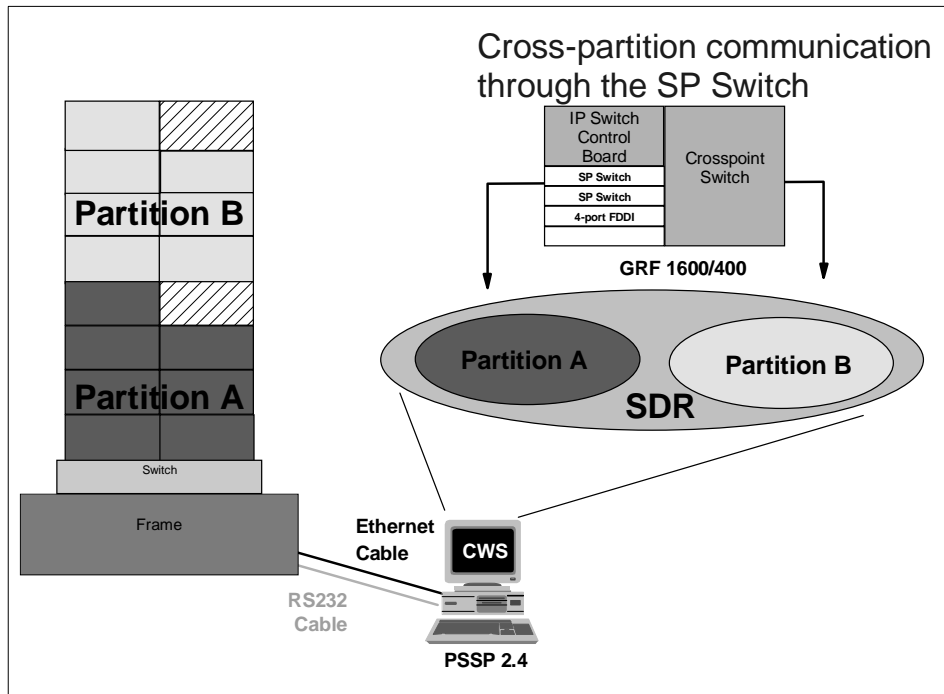


Figure 26. Partitioning

Normally, RS/6000 SP nodes in different partitions cannot communicate with each other through the SP Switch. The GRF plays a unique role here by allowing RS/6000 SP nodes to communicate across partitions, when each partition contains at least one SP Switch router adapter, and these adapters are interconnected by TCP/IP.

The requirements for partitioning are the same as those for coexistence, with the addition of having at least one free SP Switch port per partition, to connect to the SP Switch router adapter.

2.5 Planning for the GRF

Before acquiring any model of the SP Switch Router, ensure that there are SP Switch ports available in the designated partition, and that the switch used in the RS/6000 SP is the 8-port or 16-port SP Switch.

Next, ensure that the following parameters are defined:

Parameters**Descriptions**

GRF IP addressThe IP address for the GRF administrative Ethernet.

GRF netmaskThe Netmask for the GRF administrative Ethernet.

GRF Default routeThe default route of the GRF.

SNMP community nameThis attribute describes the SNMP community name that the SP Extension Node SNMP Manager and the GRF's SNMP Agent will send in the corresponding field of the SNMP messages. This value must match the value specified for the same attribute of the corresponding dependent node definition on the SP system. If left blank, a default name found in the SP Switch Router Adapter documentation is used.

CWS IP addressThe Control Workstation's IP address. When a GRF contains multiple SP Switch router adapters that are managed by different SNMP managers on different RS/6000 SP CWS, each of the Control Workstation IP addresses should be defined along with a different community name for each Control Workstation.

DNSThe DNS server and domain name, if used.

SP Extension Node SNMP

Manager port #The SNMP port number used by the SP Extension Node SNMP Manager to communicate with the SNMP agent on the GRF.

This port number is 162 when the SP Extension Node SNMP Manager is the only SNMP manager on the Control Workstation. Otherwise, another port number not used in the /etc/services of the Control Workstation is chosen.

2.6 Planning for the Dependent Node

Next, for each dependent node on the RS/6000 SP, define the following:

Parameters Descriptions

Node #A user-supplied dependent node number representing the node position of an unused SP Switch port to be used by the SP Switch Router Adapter.

Slot #The slot number on which the SP Switch Router Adapter is located in the GRF.

GRF hostnameThe hostname for the GRF administrative Ethernet. A long hostname is recommended if the domain name service (DNS) is used in the network. This represents both the Administrative and SNMP agent hostname of the dependent node.

SNMP community nameThis attribute describes the SNMP community name that the SP Extension Node SNMP Manager and the GRF's SNMP Agent will send in the corresponding field of the SNMP messages. This value must match the value specified in the `/etc/snmpd.conf` file on the GRF. If left blank, a default name found in the SP Switch Router Adapter documentation is used.

SP Extension Node SNMP

Manager port #The SNMP port number used by the SP Extension Node SNMP Manager to communicate with the SNMP agent on the GRF.

This port number is 162 when the SP Extension Node SNMP Manager is the only SNMP manager on the Control Workstation. Otherwise, another port number not used in the `/etc/services` of the Control Workstation is chosen.

Then, for the dependent node adapter, define these parameters:

Parameter Descriptions

IP addressThe IP address of this adapter.

NetmaskThe netmask of this adapter. Use the same format as that for standard RS/6000 SP nodes.

2.7 Conclusion

The SP Switch Router 9077-04S has an aggregate bandwidth of 800 MB/s. An SP wide node by contrast is capable of no more than about 65 MB/s of sustained throughput. A wide node's CPU hits a wall at about 5000 packets/second, whereas the 9077 is capable of an aggregate of 2.8 million packets/second. All this is achieved in part because of the non-blocking crosspoint switch with four 100 MB/s, full duplex connection points. This enables multiple paths to operate at full speed simultaneously.

Unlike the SP nodes, the SP Switch Router is designed with high availability in mind. It provides balanced, fully redundant power supplies that can be hot swapped in case of failure. It provides the ability for redundant paths to an SP Switch to be configured on a single 9077; with dynamic routing protocols, a second 9077 can be used to provide a backup path in case of system failure of the primary router. In either case, each media card is hot swappable and autoconfigured after the initial install has been completed.

With its high port count on interfaces such as FDDI and Ethernet and its highly scalable performance, the SP Switch Router provides a very cost effective solution. With each media card you get a nearly linear scaling of performance with very little cost increase. An SP node by comparison runs out of CPU cycles and/or slots very quickly requiring the purchase of another entire node.

Since the 9077 (or rather the Ascend GRF) was originally designed for ISP's, it has a full set of protocols, including dynamic routing protocols such as OSPF, BGP4 and RIPv2. It also has the memory required to hold up to 150,000 routes and the speed to access a table of this size without performance degradation. Support for media types not supported by the SP nodes also enables the SP to now be connected into networks that will be important for its future. These include support for HSSI and Sonet, which are important for the SP's ever-growing role as a Web server or online transaction manager.

Part 2. Scenarios

This part presents some sample configurations of an RS/6000 SP system with an SP Switch Router. It is beyond the scope of this book to represent all possible applications of an SP Switch Router. Nevertheless, the basic configurations shown are building blocks for more complex networking topologies that include the SP Switch Router and may inspire more complex configurations.

All following sample scenarios were carefully chosen to match frequently occurring customer situations. They can be easily configured and modified to apply to customers' needs. All configurations described were tested in our laboratory with the available hardware and software. We used two RS/6000 SPs, each consisting of a control workstation (CWS) and one frame with an SP Switch and several nodes (see Figure 27). All nodes and the CWS were installed with AIX 4.3.1 and PSSP 2.4. Additionally, a GRF1600 and a GRF400 running Ascend Embedded/OS V1.4.6.4. were used. Only static routing was applied in our tests. For using and configuring gated on an SP Switch Router refer to *GRF Reference Guide 1.4, GA22-7367*. For detailed configuration information, refer to Appendix A, "Laboratory Hardware and Software Configuration" on page 233, and the scenario sections.

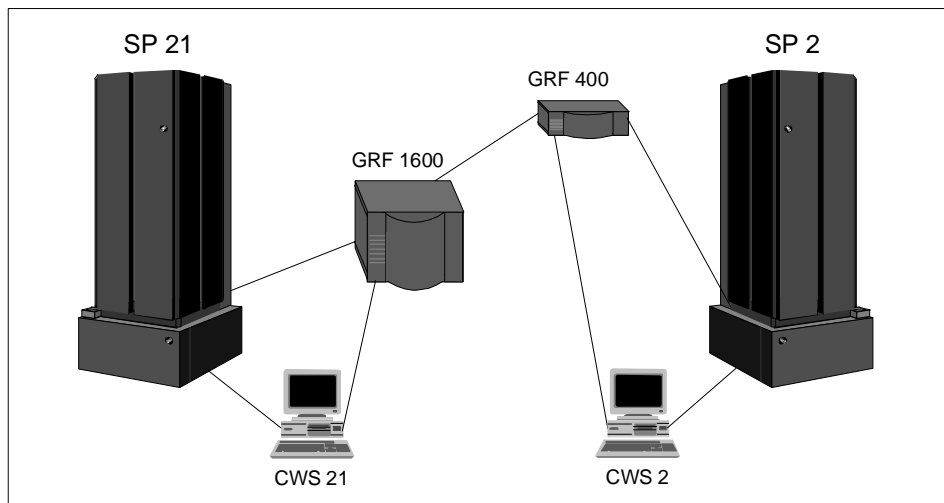


Figure 27. The Laboratory Hardware Installation

But first let us get physical and see how the SP Switch Router media cards are configured.

68 IBM 9077 SP Switch Router: Get Connected to the SP Switch

Chapter 3. Installation and Configuration

The SP Switch Router functions as an IP router to provide high-speed data communication links between SP processor nodes and external networks or hosts. The SP Switch Router Adapter media card connects to the SP Switch board in an SP system as shown in Figure 28.

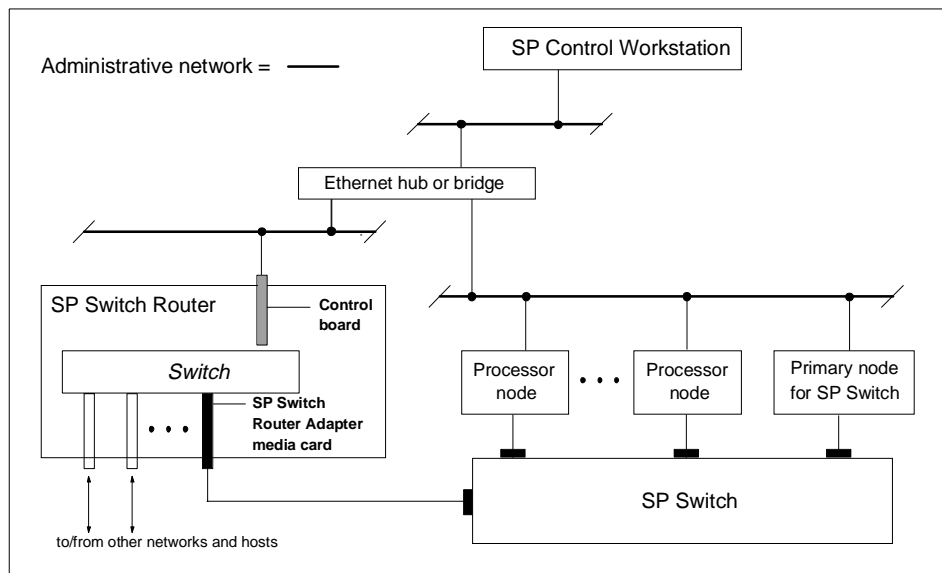


Figure 28. Connecting the GRF to the SP Switch and the CWS

The SP Switch Router Adapter card also transmits data to/from other types of media cards across the SP Switch Router's internal switch core. These media cards include HIPPI, HSSI, FDDI, ATM OC-3c, ATM OC-12c, 100Base-T (Fast Ethernet), and other SP Switch Router Adapter cards. The SP system manages the SP Switch Router Adapter card as a dependent node, under the control of the SP SNMP Manager running on the SP Control Workstation and the Primary node of the SP Switch. To learn more about dependent nodes, see Chapter 1, "Dependent Node" on page 3. Once powered on and started up, the SP Switch Router can be configured and managed remotely, either via a site's administrative network, or using Telnet from the CWS.

Information about procedures performed from the SP CWS are found in the "Managing Extension Nodes" chapter in *RS/6000 SP: Administration Guide Version 2 Release 4*, GC 23-3897.

The intent of this chapter is to provide, or refer you to, the necessary information to enable you to attach an SP Switch Router to an IBM SP system. Coverage is provided as follows:

- Information to configure the SP Switch Router Adapter card as required for SP Switch Router functionality is complete in this chapter.
- Information to physically connect the two independent systems across cables is complete in this chapter.
- Information to start up, configure, and begin operations on the SP Switch Router is contained in *GRF 400/1600 Getting Started 1.4*, GA22-7368.
- Information to configure the SP Switch Router Adapter card as required for SP system functionality is only partially described in this chapter. Detailed information is contained in the "Managing Extension Nodes" chapter in *RS/6000 SP: Administration Guide Version 2 Release 4*, GC23-3897.

3.1 Initial Configuration

When a new, unconfigured GRF is powered on an initial configuration script runs automatically. You will be asked a series of questions about the configuration, as shown in the following screen.

```
Welcome to Ascend Embedded/OS system configuration..

Host name for this machine ?
Do you wish to configure the maintenance Ethernet interface ?
Which interface type ? (TP ENC AUI)
IP address of this machine ?
Netmask for this network ?
IP address of router ('none' for no default route)?
Do you wish to go through the questions again ?
Which region is this machine located in ?
Which time zone ?
```

Next you are prompted to change the local password for root. Changing the root password is the end of the configuration script. If you need to change these parameters later, run the `config_netstat` script again. More details about the initial configuration are in *GRF Configuration Guide 1.4*, GA22-7366.

If you log onto the GRF, a `super>` prompt appears. This indicates that you are in the command-line interface (CLI). This CLI is different compared to other

UNIX systems. On most of the UNIX systems you are working on the shell layer after you logged onto the system.

Many system management and configuration commands are now available. Enter a question mark (?) to retrieve a list of CLI commands. To edit configuration files, you must be in the UNIX shell. The `sh` command opens the UNIX shell you use to modify configurations. The following screen shows how to do this.

```
August 22 14:18:31 grf16 kernel: ge027: GRF Ethernet, GRIT address 0:2:7
super>
super>ls
super>no profile was specified
super>sh
Copyright 1992, 1993, 1994, 1995, 1996 Berkeley Software Design, Inc.
Copyright (c) 1980, 1983, 1986, 1988, 1990, 1991, 1993, 1994
    The Regents of the University of California. All rights reserved.

Ascend Embedded/OS GR TAL.4.6 Kernel #1 (nit): Fri Jan 30 13:08:03 CST 1998

    Ascend Embedded/OS 1.4.6

Copyright 1992,1993,1994,1995,1996,1997,1998 Ascend Communications, Inc.

IMPORTANT: By use this software you become subject to the terms and
conditions of the license agreement on file /etc/license and any other
License agreements previously provided to you bt Ascend Communications.
#ls
.chsrc .klogin .login .profile
#
```

We found it more convenient to work directly at the shell layer. Therefore, we modified the `.profile` and commented the appropriate part that starts the CLI. For more details, see Appendix B.1, “`/root/.profile`” on page 261.

3.2 Pre-Installation Assumptions

We assume the following:

- The RS/6000 SP Switch Router is powered on and has a VT-100 or administrative Ethernet network connected to its control board.

Figure 29 on page 73 and Figure 30 on page 74 illustrate correct connections and proper setup.

- The SP Switch Router’s basic system parameters, such as the IP address and host name, were configured during the first power-on configuration script. You use the terminal or network to log in to the SP Switch Router

system and enter these basic configuration parameters. Procedures for starting and setting up the SP Switch Router are found in *GRF 400/1600 Getting Started V.14*, GA22-7368.

Ignore the prompts for network logging, since we will configure logging to a PCMCIA device; just press Enter when asked to enter the remote logging host name or its IP address.

- Remote Telnet access is working. To enable it, you have to edit the `/etc/ttys` file on the SP Switch Router and modify the appropriate entries, as follows:

#name	getty	type	status	comments
ttyp0	none	network	secure	
ttyp1	none	network	secure	
ttyp2	none	network		
ttyp3	none	network		

Adding `secure` to a `ttypX` stanza opens it for Telnet, so in this example, only two Telnet sessions at a time were allowed.

Use the following command to connect to the SP Switch Router:

```
xterm -sb -geometry 80x65 -e telnet <hostname of SP Switch Router>
```

This gives you a large window with a scroll bar at the left, so that you may retrieve information easier. See Appendix B.1, “`/root/.profile`” on page 261 for a modified `.profile` for the root user.

Hint: If you just use `-e telnet` and give the hostname at the `telnet>` prompt, the window will survive reboots of the GRF.

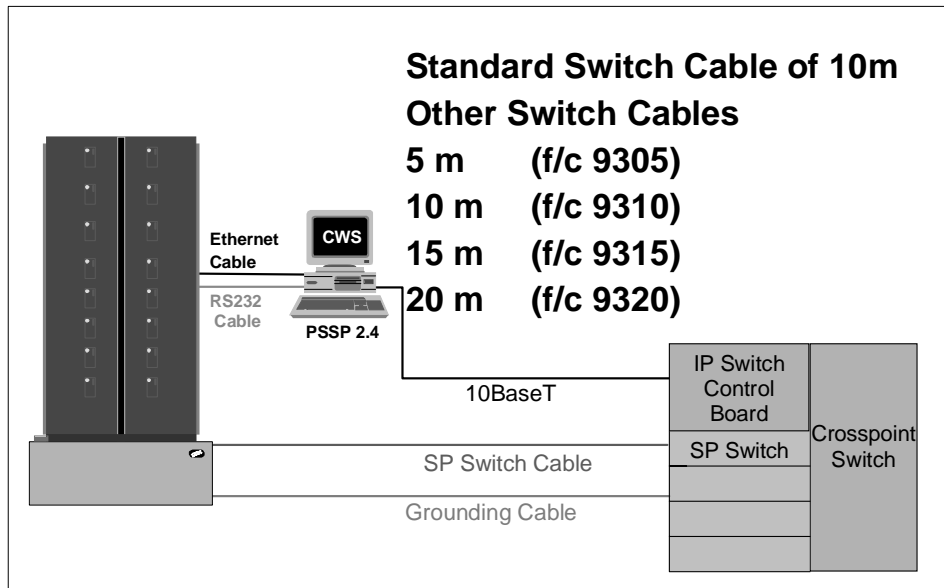


Figure 29. Connecting the GRF to the Frame

- You are ready to configure media cards. Procedures to configure media cards are in this redbook; complete information is in the *GRF Configuration Guide 1.4, GA22-7367*.

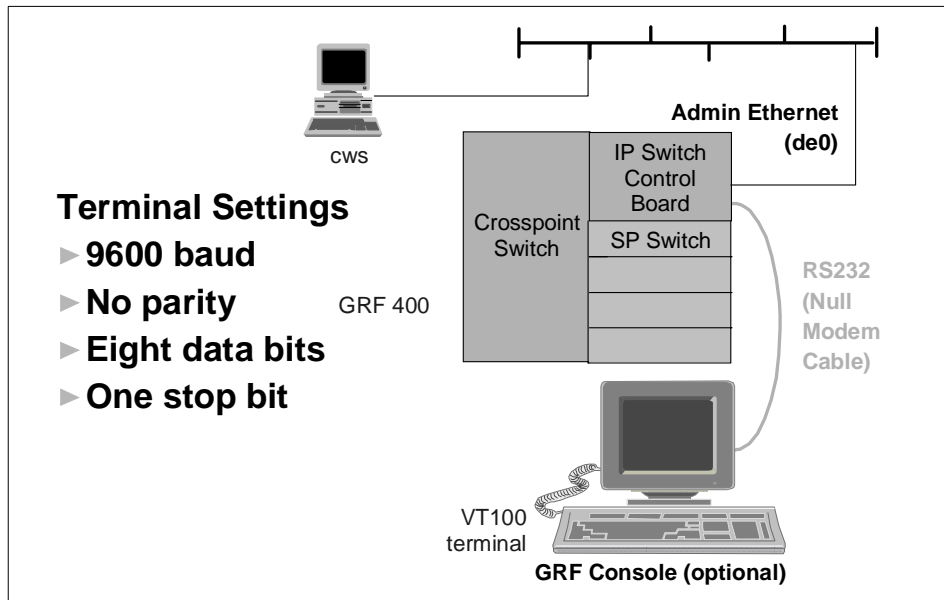


Figure 30. Connecting the GRF Console

- The IBM SP system is up and operating.
- The SP system administrator has given you one of these pieces of information:
 - The node number assigned to each SP Switch Router Adapter card to be attached to an SP Switch port
 - The port location on each SP Switch reserved for specific SP Switch Router Adapter cards

3.2.1 Order of Information

Here is the sequence of steps you have to complete:

1. An installation overview of tasks involving the SP Switch Router, the SP Switch Router Adapter card, and the SP system
2. The configuration procedure for the PCMCIA 520 MB disk, which also initiates system logging
3. A description of which cables to attach between the SP Switch Router and the SP control workstation, and between the SP Switch Router Adapter card and the SP Switch

4. Methods to determine node number and SP Switch port for an SP Switch Router Adapter card
5. A step-by-step configuration of an SP Switch Router Adapter card
6. A list of ways to verify that the SP Switch Router Adapter card is correctly installed in the SP Switch Router
7. A description of what needs to occur to bring the card online to the SP system

3.3 Installing an SP Switch Router Adapter Card

This section contains the procedure for physical installation and minimal configuration of the SP Switch Router Adapter card for use as an SP dependent node. This includes cabling the GRF to the SP CWS and the appropriate SP Switch port.

Note: There needs to be a network path between Ethernet twisted-pair interface on the SP Switch Router control board and the SP control workstation. This is most easily done through an Ethernet hub (or bridge to the 10BaseT SP LAN). However, it can also be done through a connection to a network external to the SP.

3.3.1 Installation Overview

IBM support personnel who install the SP Switch Router (9077) perform the physical installation and minimal configuration described below with help from the customer's system administrator. The system administrator must complete the following basic configuration steps:

1. Locate all the components of the SP Switch Router chip group.
2. Perform the complete physical installation of the SP Switch Router unit as described in the "Power On and Initial Configuration" chapter of *GRF 400/1600 Getting Started 1.4*, GA22-7368. Make sure that when the "First-time power on configuration script" runs at system boot, the required configuration information is provided by or entered by the customer. This information includes the SP Switch Router unit IP address and hostname. As stated before, ignore script references to network or syslog logging.
3. Perform the procedure to configure the PCMCIA disk. The procedure is included in Section 3.3.2, "Installing the PCMCIA Spinning Disk" on page 76.

4. Route the Ethernet twisted-pair cable between the SP Switch Router unit and the Ethernet hub, then connect the cable to the SP Switch Router control board and the Ethernet hub.
5. Verify that the SP CWS has a connection to this same Ethernet hub. If the SP CWS Ethernet adapter is configured by the system administrator, then a `ping` test from the SP CWS to the configured SP Switch Router Ethernet address should be done to test Ethernet connectivity.

Physical installation and minimal configuration are complete at this point.

Review Section 3.4, "Attaching SP Switch Router Cables" on page 79 before connecting the SP Switch Router Adapter card cables to the SP Switch ports specified for this configuration.

3.3.2 Installing the PCMCIA Spinning Disk

Your system is shipped with a PCMCIA disk that is required to collect the system log files. This disk can hold up to 520 MB of data regarding your model of the SP Switch Router.

You can install the disk any time after the SP Switch Router is powered on and running. Logging is not enabled until you install the disk and complete this configuration procedure. Logged messages might be very helpful while you are configuring media cards. The configuration is done only once to set up local logs and dumps, and is not affected by software updates or system reboots. System logs include: `gritd.packets`, `grinchd.log`, `gr.console`, `gr.conferrs`, `gr.boot` and `mib2d.log`.

The procedure formats and initializes an external flash (`/dev/wdXa`), where the X is normally a 1, denoting the number of the device. You get the actual number from the `mount` command. We have `/dev/wd3a` in our example and this value will be used for the rest of this chapter. The procedure then mounts the flash temporarily on `/mnt` and creates subdirectories, symbolic links and a permanent site file for storing the symbolic links.

Proceed as follows:

1. Insert the PCMCIA disk into slot A on the SP Switch Router control board (the width of the disk requires it to be installed in slot A).
2. Log in as root to the SP Switch Router, start the UNIX shell, and execute the following commands from the shell:

```

prompt> sh
#
# cd /
# iflash -A
May 29 15:54:18 grf16 kernel: wd2: no disk label
# mountf -A -w -m /mnt
Device /dev/wd3a mounted on /mnt
# mkdir /mnt/crash
# mkdir /mnt/portcards
# cd /var
# mv crash crash.orig
# mv portcards portcards.orig
# ln -s /var/log/portcards /var/portcards
# ln -s /var/log/crash /var/crash
# grsite --perm portcards crash
Device /dev/wd0a mounted on /flash.
Device /dev/wd0a unmounted.
#

```

```

# cd /var/log
# pax -rw -pe -v . /mnt
/mnt/.
/mnt/./cron
/mnt/./daemon.log
/mnt/./lastlog
/mnt/./maillog
/mnt/./messages
/mnt/./secure
/mnt/./wtmp
/mnt/./grclean.log
/mnt/./mibmgrd.log
/mnt/./cli.log
# umountf -A
Device /dev/wd3a unmounted.
#

```

3. Edit the file /etc/rc.boot and see if the line `mount /dev/wd3a /var/log` is present; if not, add this line at the end of the file.
4. Edit the file /etc/fstab and add this line as shown in the following excerpt:

```
/dev/wd3a /var/log ufs rw 0 2 # PCMCIA slot A
```

```

## Each line is of the form:
## device mount_point type flags dump fsck_pass
/dev/rd0a/ ufs rw 0 0
/dev/wd3a /var/log ufs rw 0 2 # PCMCIA slot A

```

5. Edit the file `/etc/syslog.conf` to specify the location where the logs will be kept. Uncomment the local log configuration lines in the “Log messages to Disk” section by removing `#disk#` from each line, and specify `/var/log` as the directory for each log. The entries should now look like the following:

```
*.err;*.notice;kern.debug;lpr,auth.info;mail.crit /var/log/messages
cron.info /var/log/cron
local0.info /var/log/gritd.packets
local1.info /var/log/gr.console
local2.* /var/log/gr.boot
local3.* /var/log/grinchd.log
local4.* /var/log/gr.conferrs
local5.* /var/log/mib2d.log
```

6. Check that `/etc/grclean.conf` and `/etc/grclean.logs.conf` have entries pointing to files in `/var/log`.

The `/etc/grclean.conf` file entries should look like the following:

```
#####
# port card dump files.
#####
hold=4
size=1
remove=y
local=y
logfile=/var/portcards/grdump.*
#####
# cleanup our own log file, if necessary.
#####
DEFAULTS
hold=2
local=y
size=10000
logfile=/var/log/grclean.log
```

The `/etc/grclean.logs.conf` file entries should look like the following:


```
*****
* Log files that used to be archived by the /etc/{daily|weekly|monthly}
* scripts.
*****
size=150000
logfile=/var/log/gr.console
size=11000
logfile=/var/log/gr.boot
```

7. Save all changes and reboot:

```
# grwrite -v
# reboot
```

8. After the SP Switch Router is up and running again, use `csconfig -a` to verify that the PCMCIA interface is available and the PCMCIA disk are up.

For a quick test, run `grconslog -vf`. If the setup is correct, `grconslog` will not complain about a missing `/var/log/gr.console` file, but instead will show all entries and stay up running, giving updates of new entries to the file onto the screen. To stop `grconslog`, use `Ctrl+C`.

3.4 Attaching SP Switch Router Cables

Three types of cables must be attached:

- The administrative Ethernet LAN cable
- The SP Switch Router Adapter card to SP Switch cable(s)
- The ground strap to the SP frame

3.4.1 Ethernet Cable

Route the Ethernet twisted-pair cable between the SP Switch Router unit and the Ethernet hub, then connect the cable to the SP Switch Router control board and to the Ethernet hub. See Figure 31 on page 80 on how this might be accomplished.

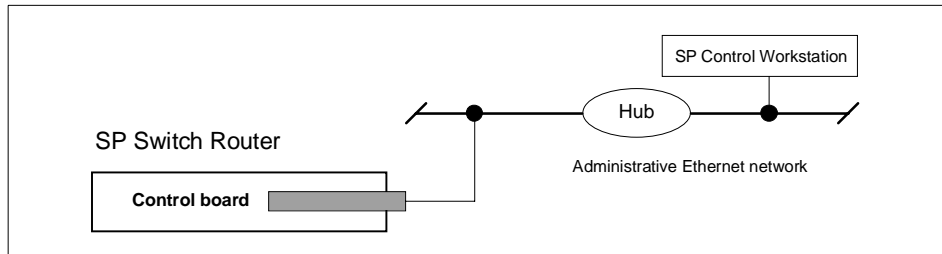


Figure 31. SP System Administrative Ethernet Connections

3.4.2 SP Switch Cable

The SP Switch Router Adapter card provides one full-duplex attachment and requires a specific cable with 50-pin connector ends, obtainable from IBM. The cable has a unique signal wiring map, and is not replaceable by a 50-pin HSSI cable, for example. SP Switch Router Adapter card cables are available in 10- and 20-meter lengths (32 or 65 feet). Excess cable lengths should be bound in a figure-eight pattern. Do not wind excess cable into circular coils.

Each connector end has 50 fragile pins. Pins can become bent when making the connection to the media card if alignment is wrong. If an SP Switch Router Adapter card link does not work after cabling, check both ends of the cable for bent pins. When not connected, keep the plastic caps on the ends.

3.4.3 Procedure for Connecting Cards to the SP Switch

This procedure connects the SP Switch Router Adapter card(s) to the SP Switch. Before the SP Switch Router unit can begin full operation, all other router media cards must be configured with appropriate customer configuration information.

Make sure you have labeled the SP Switch cable to show which media card and SP Switch port it will be connected to. Keep in mind that for any work done on the SP Switch you should have shut down and powered off the SP System and also turned off the central power supply switch at the left front edge of the SP.

Execute the following steps to make the connections:

1. If there are any terminators on the media card or the switch assembly where you need to attach the switch cable, remove them now.

2. Using appropriate frame entry and exit holes for cable management, route the SP Switch cable between the SP Switch Router unit and the SP Switch.
3. Connect the SP Switch cable to both the media card and the correct SP Switch port, as follows:
 - Connection to media card
The EMI shielding fitted inside the connector end can make insertion difficult, so be sure to insert the connector end as perpendicular as possible. (Pins can be damaged when the connector is inserted at too much of an angle.) Seat the connector firmly so the spring clips engage.
 - Connection to SP Switch port
The cable ends should click onto the connectors. Determining the correct Switch port is described in Section 3.5.1, “Determining the Switch Connection for a Dependent Node” on page 82.
4. Make sure both ends of the cable are firmly seated by pulling on them lightly.

At this point, the SP Switch Router Adapter card configuration information must be entered on the SP CWS to enable the PSSP code and SP Switch to recognize the adapter. These tasks are discussed in Section 3.5, “Configuration Required on the SP System” on page 81.

3.5 Configuration Required on the SP System

This section describes the SP Switch Router-related configuration information that should be defined by the SP administrator and then entered from the SP CWS before the SP Switch Router Adapter card is configured.

The SP Switch Router-related configuration information includes the following:

- The SP Switch Router Ethernet IP address
- The SP Switch Router Ethernet hostname (that is, the SP Switch Router's administrative Ethernet hostname)
- Unique node numbers for SP Switch Router Adapter cards

The SP Switch Router Adapter card configuration information enables the PSSP code and the SP Switch to recognize and communicate with this card.

3.5.1 Determining the Switch Connection for a Dependent Node

The SP Switch Router Adapter connection replaces an SP node connection to the SP Switch. Each SP Switch Router Adapter media card is referred to as a dependent node, and is assigned a node number that corresponds to its specific connection on the SP Switch.

The node number is determined by the SP system administrator based on an understanding of how node numbers are assigned in the SP System and the rules for choosing a valid, unused SP Switch port.

See Figure 32 on page 83 for a brief overview of how Switch port numbers are assigned and how to look for the best suited port number for the actual scenario.

Note: Look out for the change in numbering regarding Frame n+2 and Frame n+3!

See Figure 33 on page 84 on how node numbers are assigned independent of whether the frame is fully populated.

If proper planning has been done to assign the node number, the system administrator knows which SP frame, Switch board, and node slot corresponds to a dependent node. Given this information, you can determine which jack on the Switch board should be used by consulting the Switch Cable Charts for the SP Switch in *RS/6000 SP: Maintenance Information, Volume 1, Installation and Customer Engineer Operations*, GC23-3903.

Do not attempt to connect an SP Switch Router Adapter to the SP Switch until proper planning has been done to assign the node number.

Once the node number is assigned, the SP system administrator can define the corresponding dependent node using SMIT as described in the "Managing Extension Nodes" section of *RS/6000 SP: Administration Guide Version 2 Release 4*, GC23-3897.

After defining new dependent nodes on the SP, the administrator should use the `Eannotator` command to annotate the SP Switch topology file. With the file annotated, even if the administrator is not sure of the frame, switch board, or node slot for the dependent node, you can determine the corresponding switch connection with the procedure described in Section 3.5.2, "Procedure to Get the Jack Number" on page 84.

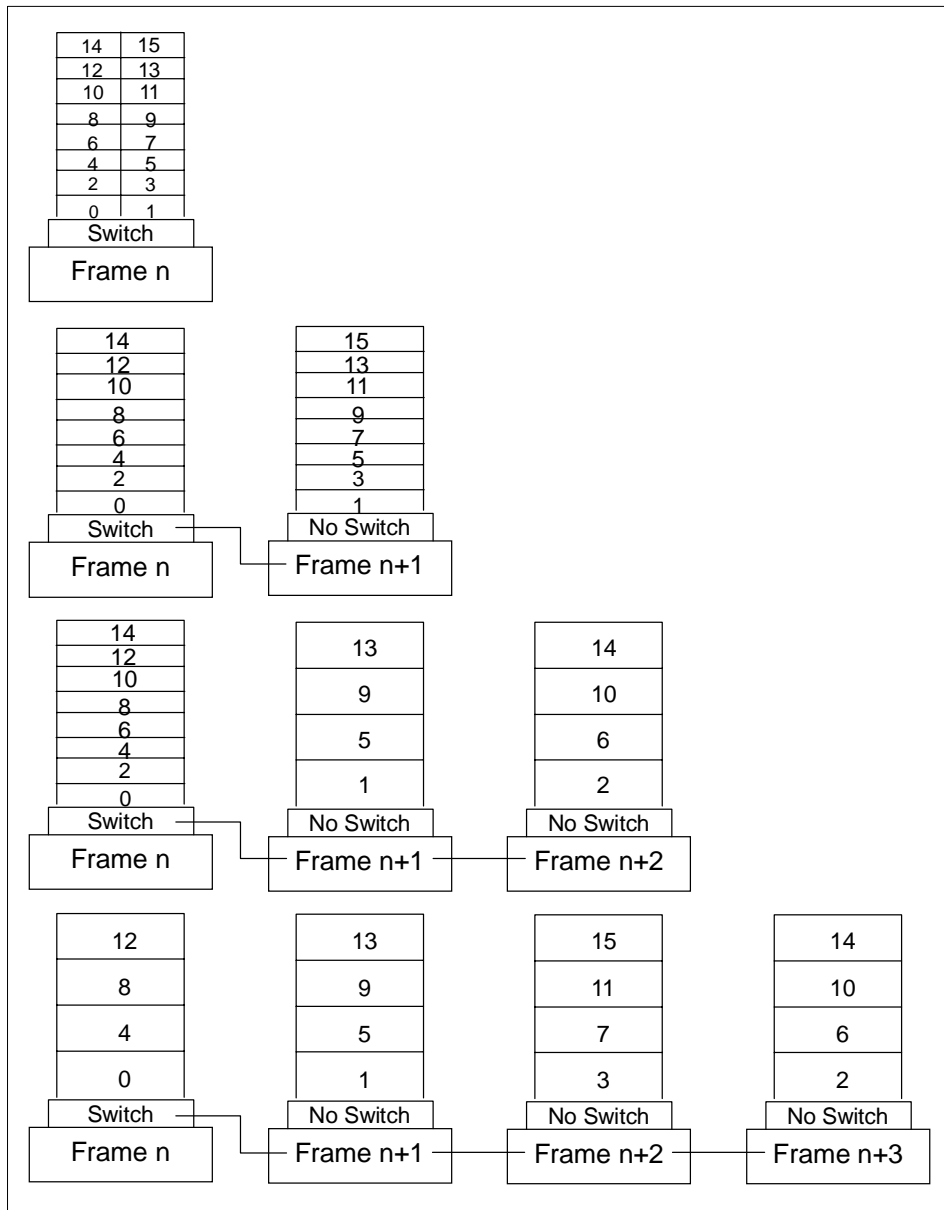


Figure 32. Switch Port Assignments in Supported Frame Configurations

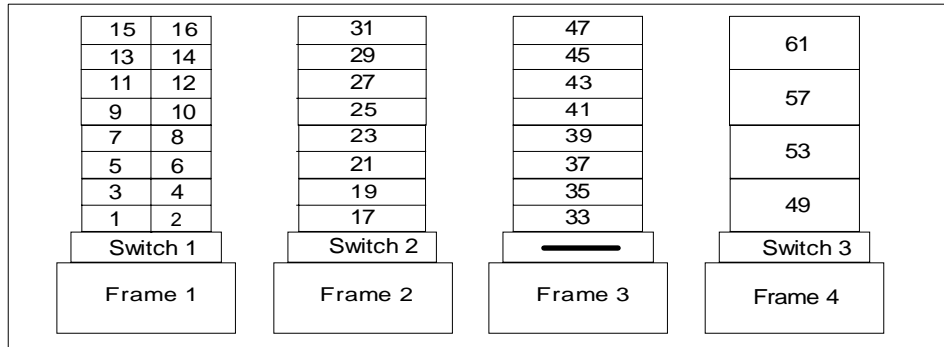


Figure 33. Node Numbering for an SP System

3.5.2 Procedure to Get the Jack Number

Following are the steps required to get the jack number:

1. From the SP control workstation, determine the dependent node's number by entering `SDRGetObjects DependentNode node_number`. This produces output that looks like the following:

```
# SDRGetObjects DependentNode node_number
node_number
      4
#
```

2. From the SP CWS, determine the switch_node_number by entering `SDRGetObjects DependentNode node_number==n switch_node_number`, where n is the node_number of the dependent node you just got from the previous command. This gives the following output:

```
# SDRGetObjects DependentNode node_number==4 switch_node_number
switch_node_number
      3
#
```

3. From the SP CWS, determine the host name of the SP Switch primary node by entering `splstdata -s | grep -p primary`. The output looks like this:

```
# splstdata -s | grep -p primary
switch_part      topology      primary      arp  switch_node
number          filename     name         enabled  nos._used
-----
          1  expected.top.an  sp21n07              yes      no
#
```

In this case, the primary node host name is sp21n01.

4. Log into the primary node by entering `telnet node_hostname`, where `node_hostname` is the host name of the primary node.
5. From the primary node, enter `pg /var/adm/SPlogs/css/out.top`.
6. In the `out.top` file, look for the line(s) containing `Dependent Node`. In this line you will find the term `tb3`, which is immediately followed by the value for the `switch_node_number`. For `switch_node_number` 3, the following line identifies the SP Switch jack E01-S17-BH-J25 (frame 1, Switch, bulkhead, jack J25):

```
s 16 1 tb3 3 0 E01-S17-BH-J25 to E01-N4 # Dependent Node
```

If you need help interpreting this identifying string, see *PSSP Maintenance Information, Volume 2, Maintenance Analysis Procedures and Parts Catalog* for an explanation of the naming standard for RS/6000 SP components.

3.6 Multiple Frames for Multiple System Connections

SP Switch Router Adapter cards in an SP Switch Router can connect to different switch boards in the same SP system. A configuration problem could arise in which the SP Switch Router Adapter cards are assigned the same node number if each card plugs into the same port position on each switch board.

The use of frames removes the configuration problem. The following example demonstrates the organization of three SP frames (1, 2, and 3) with switch boards in each.

Figure 34 on page 86 shows how the frame numbering differentiates each SP Switch Router connection:

- The SP Switch Router card connected to port J31 of SP Switch A1 is node number 9.

- The SP Switch Router card connected to port J31 of SP Switch A2 is node number 25.
- The SP Switch Router card connected to port J31 of SP Switch A3 is node number 41.
- The SP Switch Router card connected to port J15 of SP Switch A1 is node number 16.

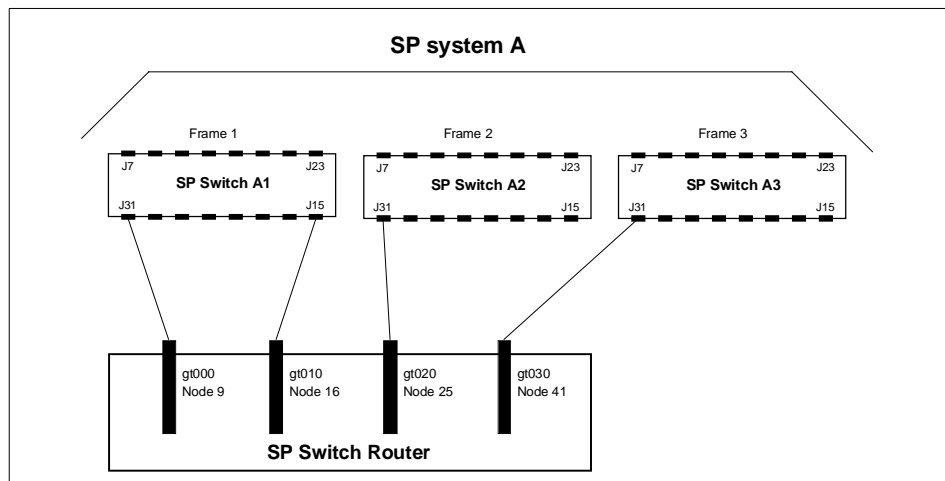


Figure 34. How Frames Enable Connections to Multiple SP Switches

3.7 Step-by-Step Media Card Configuration

This section provides a configuration overview and the steps required to configure an SP Switch Router Adapter media card.

3.7.1 Configuration Files and Their Uses

These are the configuration files found in /etc on the SP Switch Router, discussed in this chapter:

- grifconfig.conf - identifies each logical interface on a media card
- snmpd.conf - enables SNMP capabilities
- grdev1.conf - configures SP Switch Router Adapter cards

Refer to *GRF Reference Guide 1.4, GA22-7367* for templates of all configuration files.

3.7.1.1 Overview of the Steps to Configure a Media Card

A detailed discussion of these steps follows this overview.

1. Edit the SNMP configuration file and start the SNMP daemon on the SP Switch Router.
2. Assign an IP address and other parameters to the SP Switch Router Adapter interface.

There are two ways to configure these parameters:

- We recommend using the procedures documented in the "Managing Extension Nodes" chapter of the *RS/6000 SP: Administration Guide Version 2 Release 4*, GC23-3897.
 - As an alternative, you can log in to the SP Switch Router and use a UNIX editor to edit the `/etc/grifconfig.conf` file. These assignments are entered in the SP Switch Router's `/etc/grifconfig.conf` file:
 - Interface name (gt0y0)
 - IP address
 - Netmask
 - Broadcast address
 - Argument (MTU size)
3. Change the default boot diagnostics and dump settings in profiles (optional).

To change the defaults for one card, change the settings in the appropriate Card profile; to change the defaults for all installed SP Switch Router Adapter cards, change the settings in the Dump and Load profiles.

4. Run the `devlconfig` command while logged into the SP Switch Router. View the `/etc/grdev1.conf` file to verify configuration data.

For the SP Switch Router Adapter card to operate, the SP Switch Router requires a specific configuration file, `/etc/grdev1.conf`. The `devlconfig` command creates this skeleton file using configuration information passed to the router in either of two ways:

- We recommend using the procedures documented in the "Managing Extension Nodes" chapter of the *RS/6000 SP: Administration Guide Version 2 Release 4*, GC23-3897 to install the parameters. (This is the same configuration information as described in the recommended method of step 2.) These parameters will only be available to `devlconfig` *after* the SP Switch Router Adapter card is activated on the SP Switch.

- As an alternative, you can log on to the SP Switch Router and use a UNIX editor to enter the parameters in the `/etc/grdev1.conf` file.
5. Reboot the SP Switch Router unit so that the altered configuration files are installed and used. Remember that you must use `grwrite -v` to preserve the modifications of files in `/etc`, before a `reboot`.

Details about each step are provided in the next sections.

3.8 Step 1. Check SNMP in the SP Switch Router System

Check the `/etc/snmpd.conf` file to see if a management station and community are defined, and if traps are enabled. Network monitoring devices (management stations) can request or access the SP Switch Router's SNMP information.

Follow the procedure described in Chapter 2, "How to configure SNMP" of the *GRF Configuration Guide 1.4*, GA22-7366. Note that you *must not remove* the `ALLOW` and `COMMUNITY` public statements that are already in `/etc/snmpd.conf`.

Here are excerpts from our `/etc/snmpd.conf` file appropriate for the SP Switch Router connected to an SP system.

This configuration assumes that one SP CWS manages the SP Switch Router Adapter card. In the example, the IP address of the CWS is 192.168.4.137. You will see it defined in the example as `MANAGER`.

```
# Default Agent Configuration File
ALLOW SUBAGENT 1.3.6.1.4.1.1080.1.1.1
WITH OTHER PASSWORD
USE 15 SECOND TIMEOUT

COMMUNITY public
ALLOW GET, TRAP OPERATIONS
USE NO ENCRYPTION

MANAGER 192.168.4.137
SEND ALL TRAPS
TO PORT 162
WITH COMMUNITY spenmgmt

COMMUNITY spenmgmt
ALLOW ALL OPERATIONS
USE NO ENCRYPTION
```

3.9 Put SNMP Changes into Effect

To have changes to `/etc/snmpd.conf` take effect, kill `snmpd`. It will be automatically restarted.

Log in as root, find the `snmpd` PID (process ID), and then kill the SNMP daemon, as follows:

```
# ps -ax | grep snmpd
326  00-  S      0:00.17  snmpd /etc/snmpd.conf /var/run/snmpd.NOV
# kill 326
# Jun 13 16:13:18 grf16 mib2d[397]: mib2d: terminated by master agent
Jun 13 16:13:18 grf16 root: grstart:  snmpd exited status 143; restarting.
Jun 13 16:13:18 grf16 root: grstart:  mib2d exited status 0; restarting.
#
```

3.10 Step 2. Assign IP Addresses

Assign an IP address and other parameters to the SP Switch Router Adapter interface. As already mentioned, there are two ways to accomplish this task (one recommended, one optional).

3.10.1 Method 1: Use SP SNMP Manager - Recommended

This is the method recommended for configuring the SP Switch Router Adapter card. From a system point of view, it is appropriate to treat the SP Switch Router Adapter card as an extension node in the SP system. All configuration parameters should be entered using the SMIT panels. Remember that if you enter configuration information into SP Switch Router configuration files, you will also need to access the SMIT panels and reenter information those panels require.

Refer specifically to the "Managing Extension Nodes" chapter in the *RS/6000 SP: Administration Guide Version 2 Release 4*, GC23-3897 for information about setting up SNMP to monitor the SP Switch Router system and configure the SP Switch Router Adapter media card.

Following are the SMIT commands along with the data entered for the GRF 1600 in our lab environment. Refer to Appendix A, "Laboratory Hardware and Software Configuration" on page 233 for detailed information about our setup.

- Command: `smitty enter_extnode`

```

Enter Extension Node Information

Type or select values in entry fields.
Press Enter AFTER making all desired changes.

                                [Entry Fields]
Administrative Hostname          [grf16.msc.itso.ibm.com]
SNMP Community Name             [spenmgmt]
Extension Node Identifier        [03]
SNMP Agent Hostname             [grf16.msc.itso.ibm.com]
Reconfigure the extension node?  no                +
* Node Number                    [4]                #

```

Note: The Extension Node Identifier (the number of the slot in the GRF, the SP Switch Router Adapter card is seated) *must* be given as a two-digit number, so slots 0-9 *must* be entered as 00-09!

```

COMMAND STATUS

Command: OK          stdout: yes          stderr: no

Before command completion, additional instructions may appear below.

The endefnode command has completed successfully.

```

- Command: smitty enter_extadapter

```

Enter Extension Node Adapter Information

Type or select values in entry fields.
Press Enter AFTER making all desired changes.

                                [Entry Fields]
Network Address                 [192.168.14.4]
Network Netmask                 [255.255.255.0]
Reconfigure the extension node?  no                +
* Node Number                    [4]                #

```

```
COMMAND STATUS

Command: OK          stdout: yes          stderr: no

Before command completion, additional instructions may appear below.

The endefadapter command has completed successfully.
```

- **Command:** smitty annotator

```
Topology File Annotator

Type or select values in entry fields.
Press Enter AFTER making all desired changes.

                                [Entry Fields]
Input Topology File Name          [/etc/SP/expected.top.lnsb.0isb.0]
Output Topology File Name         [/etc/SP/expected.top.annotated]
Save Output File to SDR           [yes] +
```

/etc/SP/expected.top.annotated now has a new line:

```
s 16 1  tb3 3 0          E01-S17-BH-J25 to E01-N4 # Dependent Node
```

- **Command:** smitty manage_extnode

```

Extension Node Management

Type or select values in entry fields.
Press Enter AFTER making all desired changes.

Action to be performed on the extension node      [Entry Fields]
* Node Number                                     reconfigure      +
                                                    [4]              #

```

```

COMMAND STATUS

Command: OK          stdout: yes          stderr: no

Before command completion, additional instructions may appear below.

enadmin command: sending a reconfigure request to the agent managing
extension node 03
enadmin command: : response received from agent indicates requested action
accepted for processing - command complete

```

Use SDRGetObjects switch_responds to see the actual status of the SP Switch:

```

root@sp21en0:/ SDRGetObjects switch_responds
node_number  switch_responds autojoin    isolated    adapter_config_status
1            1                0          0           0 css_ready
5            1                0          0           0 css_ready
6            1                0          0           0 css_ready
7            1                0          0           0 css_ready
8            1                0          0           0 css_ready
9            1                0          0           0 css_ready
10           1                0          0           0 css_ready
11           1                0          0           0 css_ready
13           1                0          0           0 css_ready
15           1                0          0           0 css_ready
4            0                0          0           1 not_configured

```

Before the extended node can be successfully Eunfenced, more work has to be done.

3.10.2 Method 2: Edit /etc/grifconfig.conf - Optional

Edit the /etc/grifconfig.conf file to assign an IP address to each logical SP Switch Router interface. You can also provide other information about the logical IP network to which that interface is physically attached.

Each logical interface is identified in /etc/grifconfig.conf by these properties:

- Its interface name (an SP Switch Router convention, defined below)
- Its Internet address
- Its netmask
- Its broadcast/destination address
- An argument field

The format for an entry in the /etc/grifconfig.conf file is:

```
# name address netmask broad_dest arguments
gt030 192.168.14.4 255.255.255.0 - mtu 65520
```

Remember that if you enter configuration information into SP Switch Router configuration files, you also need to access the SMIT panels and reenter information those panels require.

Interface name

The SP Switch Router interface name has five components that describe an individual interface in terms of its physical slot location in the chassis, and its specific and virtual locations on a media card.

In the SP Switch Router, the SP Switch Router Adapter card interface names look like this: gt000, gt030, gt0a0, gt0f0 (only the slot number, represented as a hexadecimal digit, changes).

Figure 35 shows the definitions of the components that comprise the SP Switch Router Adapter card interface names:

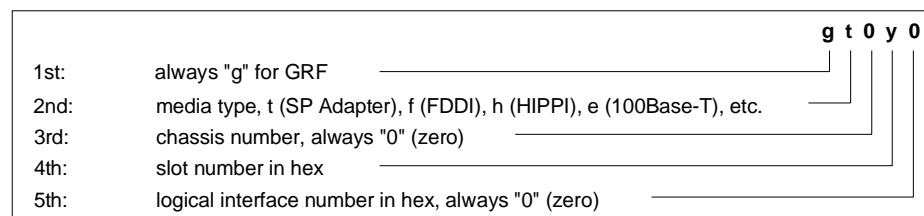


Figure 35. Components in the SP Switch Router Adapter Card's Interface Name

Internet address

The Internet address is the 32-bit IP address for the specified logical interface. The address is in standard dotted-decimal (octet) notation: xxx.xxx.xxx.xxx.

Netmask

Netmask is the 32-bit address for the logical IP network on the physical network to which the specific SP Switch Router or media card physical interface is attached. The netmask is entered in standard dotted-decimal (octet) notation. If no destination/broadcast address is supplied, a netmask is required.

Broadcast or destination address

The broadcast or destination address is the 32-bit address for this network. Enter the broadcast or destination address in standard dotted-decimal (octet) notation. When a broadcast IP address is assigned to a logical interface, the netmask value is ignored. A dash (-) can be entered in the netmask column, or it can be left blank.

The connection of the SP Switch Router Adapter card to the SP system is point-to-multipoint.

When you assign an IP address to a logical interface on a point-to-point media such as HIPPI or ATM, the destination address is entered in the broadcast address field.

Note that any entry in the broadcast address field for HIPPI or ATM makes it a point-to-point connection to that address. If you remove the broadcast address, you create a nonbroadcast, multiaccess (NBMA) interface.

Argument field

This field is optional for SP Switch Router Adapter cards. The argument field specifies a Maximum Transmission Unit (MTU) value different from the coded default value of 65520. When the command `grifconfig` runs, it passes the arguments to the `ifconfig` command that it spawns.

Default MTU values

Default MTUs for SP Switch Router media are:

- SP Switch Router Adapter: 65520 bytes
- HIPPI: 65280 bytes
- FDDI: 4352 bytes
- ATM OC-3c: 9180 bytes
- ATM OC-12c: 9180 bytes
- 10/100Base-T: 1500 bytes

Default MTUs for framing protocols are:

- Frame Relay: 4352 bytes
- HDLC: 4352 bytes
- Point-to-Point Protocol: 1496 bytes

MTU discovery facility

MTU sizes are generally selected at the host end of the route. This is accomplished by turning on the host's MTU discovery facility and allowing the host to send packets. The MTU discovery facility operates by default on the SP Switch Router. AIX4.3.1 provides MTU discovery; however, you have to enable it with the `/etc/no` command.

In effect, the discovery facility tells the router not to fragment, but instead to advise the host when the packet size is larger than the given path can handle. This allows the host to discover the largest packet that the most restrictive of the media components within the same path can handle. Once "discovered", the host then sends only packets in sizes matching the reported maximum, and so packets are not fragmented.

3.10.3 Putting grifconfig.conf Additions into Effect

Additions made to `/etc/grifconfig.conf` after first-time installation take effect only after the file is reloaded and the media card reset.

Use the `grreset` command to reset each configured SP Switch Router Adapter card by specifying the slot number where each card is installed, as follows:

```
grreset <card_slot_number>
```

3.11 Step 3. Change Profile Settings

As mentioned, this step is optional and explained in detail in *GRF 400/1600 Configuration Guide 1.4*, GA22-7366. The SP Switch Router will work happily with the default settings shipped with the system and there really is no need to change anything at this time.

3.12 Step 4. Run dev1config

If you followed the advice in Section 3.10.1, "Method 1: Use SP SNMP Manager - Recommended" on page 89, running the command `dev1config` should be all that needs to be done.

Nevertheless, check the file `/etc/grdev1.conf`. It must contain an entry for the slot in which the media card is installed. As we have our card in slot 3, the entry looks as follows:

```
# CARD 3 Interface 0
#
2.21.4.1.1.1      "03"                # Node Name
2.21.4.1.1.2      4                   # Node Number
2.21.4.1.1.3      "00:00:00:01:00:00:00:06:00:01" # Switch Token
2.21.4.1.1.4      2                   # Switch ARP
2.21.4.1.1.5      3                   # Switch Node Number
2.21.4.1.1.6      x192.168.14.4       # IP Address
2.21.4.1.1.7      x255.255.255.0      # Net Mask
2.21.4.1.1.8      1024                # Max Link Pckt Len.(bytes)
2.21.4.1.1.9      1                   # IP Host Offset
2.21.4.1.1.10     1                   # Configuration State
2.21.4.1.1.11     sp21en0             # System Name
2.21.4.1.1.12     2                   # Node State
2.21.4.1.1.13     1                   # Switch Chip Link
2.21.4.1.1.14     31                  # Node Delay
2.21.4.1.1.15     1                   # Admin Status
#
```

These entries show up after the SP Switch Router Adapter card gets configured on the SP Switch.

3.13 Step 5. Reset SP Switch Router System to Install Files

To install the system configuration files, first save the files and then reboot the SP Switch Router.

Save the files after you complete changing the system parameters, and again after you configure the media cards and any network services, such as filtering or dynamic routing, using `grwrite -v`. To check if any files need to be written to permanent storage, use `grwrite -vn`.

Note: `grwrite` only saves files in the `/etc` directory. If you changed files in different directories, use `grsite` and `grsite --perm`, respectively.

Use `reboot -i` to reset the system.

3.13.1 Saving Configuration Files

Use the `grwrite -v` command to save the configuration files in the `/etc` directory from RAM to a flash device. This preserves the configuration files over a reboot.

To save an alternate configuration on the internal flash based upon the currently running configuration on the internal flash device, use

```
grsnapshot -si -di=revision,version.
```

For more information about these commands, see *GRF Reference Guide 1.4*, GA22-7367.

3.14 Verify an SP Switch Router Adapter Card on the Router

This section describes tools available with the SP Switch Router system software to check out newly installed media cards. These tools are to be used on the SP Switch Router:

- The `ping` command tests whether an SP Switch Router Adapter media card can process and return a message.
- The `grcard [port_number]` command tells you the operating state of an installed SP Switch Router Adapter card.
- The `greset` command allows you to reset the card.

Note: Output from logs and other system reporting functions refer to the SP Switch Router Adapter card as DEV1, DEV_V1 or dev1.

3.14.1 Verify Media Card Operation Using ping

Check SP Switch Router Adapter media card viability using the `ping` command. This UNIX command is modified to support SP Switch Router board components. This use of `ping` only tests internal communication between the SP Switch Router control board and the specified media card. It does not test message routing between media cards or communication between media cards and external devices.

Note: The `ping` command does not disturb normal SP Switch Router operations.

The `ping -P grid <slot_number>` command sends a message to a specified SP Switch Router Adapter card asking the card to respond back with another message.

Follow these steps:

1. Log in as root to the SP Switch Router.

2. Enter a `ping` command. Specify the appropriate media card by its chassis slot number; for example, to act on the SP Switch Router Adapter media card in slot 3, enter `ping -c4 -P grid 3`.

This is what you see when the media card responds:

```
# ping -c4 -P grid 3
GRID ECHO 3 (0:0x3:0): 64 data bytes, 3 packets
68 bytes from 0:0x3:0: time=0.619 ms
68 bytes from 0:0x3:0: time=0.498 ms
68 bytes from 0:0x3:0: time=0.640 ms
68 bytes from 0:0x3:0: time=0.640 ms

--- 3 GRID ECHO statistics ---
3 packets transmitted, 3 packets received, 0% packet loss
round-trip min/avg/max = 0.498/0.580/0.640 ms
#
```

To act on the GRF control board, enter `ping -P grid 66`.

Refer to *GRF Reference Guide 1.4, GA22-7367* for a description of the `ping` command.

3.14.2 Check Media Card Status Using `grcard`

The `grcard` command returns information about the status of all installed media cards. Output from logs and other system reporting functions refers to the SP Switch Router Adapter card as `DEV1`, `DEV1_V1` or `dev1`.

Here is a sample of the slot, media, and state information returned from the `grcard` command:

```
# grcard -v
Slot  HW type      State
----  -
0     FDDI_V2        running
1     ATM_OC3_V2     running
2     ETHER_V1       running
3     DEV1_V1        running
#
```

The SP Switch Router Adapter card resides in slot 3 and its state is reported as `running`.

Refer to the command descriptions in the *GRF Reference Guide 1.4, GA22-7367* for a description of `grcard` and the meaning of the different media states.

3.14.3 Reset Media Card Using greset

Use the `greset` command to reset a media card from the UNIX prompt:

1. Log in as root on the SP Switch Router.
2. Enter the `greset` command.

Specify the appropriate media card by its chassis slot number. To reset all the media cards, enter `greset all`; to reset the media cards in slot 0, enter `greset 0`; to reset the card in slot 4 and dump its memory, use `greset -D 4`; to reset the card in slot 4 and return debug information, enter `greset -d 4`.

Note: The `greset` command can be used on a media card without disturbing normal SP Switch Router function.

You should, however, fence the SP Switch Router Adapter card before you issue a `greset` command against it. This prevents some unexpected behavior of the SP primary node. Use the following command on the CWS:

```
Efence -autojoin node_number.
```

With the autojoin flag set, the SP Switch Router Adapter card is supposed to integrate automatically into the SP Switch network after a `greset` command.

Without the autojoin flag, `Eufence` or `Estart` need to be issued.

Refer to the command section in the *GRF Configuration Guide 1.4, GA22-7366* for a description of `greset`. Refer to *RS/6000 SP: Command Reference Version 2 Release 4, GC23-3900*, for a description of `Efence`, `Eufence` and `Estart`.

3.14.4 Using grstat to Display GRF Statistics

You might want to periodically watch what is going on on the SP Switch Router Adapter card. Use the command `grstat -w70 all gt0?0` to obtain information about packets sent, received, forwarded, dropped or fragmented. Also, this command will give you an overview of the last errors that caused packets to be dropped or resent.

Below is an actual example:

```
# grstat -w70 all gt030
gt030
ipstat
    count description
    11095886 total packets received
        51 packets dropped
    3678330 packets forwarded normally
        4 packets forwarded locally to card
    1214 packets handled by the card
ipdrop
                last          last
count   source addr    dest addr reason
    3   192.168.14.6    192.168.13.15 TTL expired
    48  192.168.14.15    192.168.13.15 needed to frag packet but DF set
icmperr
                last      last      last          last          last
count type   code    val    source addr    dest addr error
icmpin
                last          last          last
count type          code    source addr    dst addr
    4  ECHO                192.168.14.1    10.10.1.13
icmpout
                last          last          last
count type          code    source addr    dst addr
    4  ECHOREPLY        192.168.14.1    10.10.1.13
    48 UNREACH          NEEDFRAG        192.168.14.4    192.168.14.15
    3  TIMXCEED          INTRANS        192.168.14.4    192.168.14.6
#
```

3.15 Bringing the SP Switch Router Adapter Card Online with the SP

After the SP Switch Router Adapter media card completes initialization, its state machine enters the Configured state. The media card sends an up-trap request to mib2d. mib2d sends the SP Switch manager a pair of switchNodeUp and switchConfigState (ConfigState=FullyConfigured) trap messages.

The SP system administrator now decides which action is required to bring the SP Switch Router Adapter's interface online.

If the SP Switch Router Adapter was previously fenced from the Switch network with the `-autojoin` option, the SP SNMP manager will automatically unfence the adapter. Otherwise, the SP system administrator must perform

one of the following actions to bring the SP Switch Router Adapter card online:

- A switch initialization
- An unfencing sequence
- Another Switch management sequence

The appropriate action depends on what state the SP system is in with respect to the dependent node. For example, if no `Estart` command has been issued to reinitialize the SP Switch since the dependent node (the SP Switch Router Adapter) was installed, then an `Estart` command is needed. If the dependent node was fenced from the SP Switch without the `-autojoin` option, then an `Eunfence` command should suffice.

Many different states are possible. Consult *RS/6000 SP: Installation and Migration Guide Version 2 Release 4*, GC23-3898 and *RS/6000 SP: Administration Guide Version 2 Release 4*, GC23-3897 for descriptions of the administrative actions needed to bring extension nodes online (dependent nodes are specific types of extension nodes). See *RS/6000 SP: Diagnosis and Messages Guide Version 2 Release 4*, GC23-3899 for information on diagnosing extension node configuration problems.

The SP Switch Router Adapter media card remains in `ConfigState=FullyConfigured`, until it is brought online via a switch initialization or unfencing sequence.

Should the `SwitchNodeUp-trap` message not reach the SP SNMP Manager, use the `grcard` command to check the card's readiness and state. The `grcard` command *must* return `running` for the SP Switch Adapter card before the card can be brought online.

3.15.1 Checking Connectivity to the SP System

The procedure in this section is useful when a problem is suspected with the SP Switch Router Adapter media card, its connection to the SP Switch, or its connection to the SP Switch Router hardware. This section is intended for hardware service personnel, although parts may be applicable to customer problem determination.

Before beginning this procedure, it may be helpful to verify the configuration of the media adapter. If you are unable to find a configuration problem or are unable to correct the configuration due to potential hardware problems, this procedure should be used to check the connection to the SP Switch.

Each SP Switch Router Adapter media card is considered a dependent node for the SP System. Each dependent node has a `node_number` and other configuration and status information that is unique to that dependent node.

3.15.1.1 Procedure

The following steps might give you guidance in solving some of the most common connectivity problems:

1. Check the SP Switch cable for obvious problems such as a loose or disconnected connector, missing shielding or bent pins.
2. Check the 10Base-T twisted-pair connection between the SP Switch Router control board and the SP CWS. This connection is normally routed through an Ethernet hub.
3. If there is no terminal directly attached to the SP Switch Router, check the SP Switch Router host name from the SP CWS. From the CWS, enter `SDRGetObjects DependentNode node_number reliable_hostname`. This will return the node numbers and the corresponding host names for the SP Switch Router systems.
4. Test Ethernet connectivity by performing a `ping` test from the SP CWS to the SP Switch Router administrative Ethernet address.

5. Check the status of the SP Switch Router Adapter LEDs.

Use the tables in the "SP Switch Router Adapter LEDs" section in Appendix C to determine the state of the card.

Generally, RX ST0/ST1/ERR and TX ST0/ST1/ERR indicate a problem. The problem might be due to connection, configuration, hardware, or software.

To further test the SP Switch Router Adapter card hardware, you can reset or reseat the card, and then use the tables under "LED activity during boot" in Appendix C to interpret the results.

6. From the CWS, use an `Eunfence` and/or `Estart` command to bring the dependent node back into the configuration.

From the CWS, issue the command `SDRGetObjects switch_responds` and check for correct values. If `switch_responds` is 1 or shows up green in Perspectives, then the dependent node is active again.

7. You may need to log in to the SP Switch Router to perform additional analysis before determining whether any hardware needs replacement.
8. If problems remain, you will have to contact the next level of Customer Support for further direction. They may log into the SP Switch Router to perform additional analysis. If you were directed here by the *RS/6000 SP*

Maintenance Information Manual Dependent Node MAP, return to that procedure.

For more information about configuration as related to the SP, see *RS/6000 SP: Administration Guide Version 2 Release 4*, GC23-3897 and *RS/6000 SP: Command and Technical Reference Version 2 Release 4*, GC23-3900.

For additional information on troubleshooting your configuration, see *RS/6000 SP: Diagnosis and Messages Guide Version 2 Release 4*, GC23-3899.

Chapter 4. Configuration of IP-Forwarding Media Cards

This chapter covers the installation and configuration of selected IP Forwarding media cards in an SP Switch Router. For detailed information refer to *GRF Configuration Guide 1.4*, GA22-7366.

4.1 Ethernet 10/100Base-T Configuration

This section provides the information needed to configure the Ethernet 10/100Base-T media card. It comes in two flavors, one with four ports and the other with eight ports available. Configuration is the same for each type of card. Each physical interface on them is capable of connecting to either 10 or 100 Mbits/s (autosensing and autonegotiation) and may operate half duplex (HDX) or full duplex (FDX). So this is a point to take care of, as the ports of the connecting devices must meet FDX or HDX setting, if they do not, a high rate of collisions will be reported.

As Ethernet seems to be best known all over the world and configuring this type of card is really straightforward, this will was the easiest way to get interfaces other than switch connected to the GRF.

4.1.1 Physical and Logical Interfaces

Physical Interfaces

The dual-speed Ethernet media card provides either four or eight physical interfaces. An interface can run in either full duplex or half duplex mode. Additionally, an interface can operate at 10 or 100 Mbits/s, as needed. This enables the GRF Fast Ethernet media card to interoperate with 10Base-T and 100Base-T devices. These capabilities can be configured to perform in a specific mode and at a specific transfer rate, or to autosense the mode and rate capacity of the connected host or network.

Logical Interfaces

A logical interface is configured by its entry in the `grifconfig.conf` file, where it is assigned an IP address and netmask. A logical interface is uniquely identified by its Ethernet interface name.

Interface Name

The generic form of an Ethernet interface name is `ge0xy`. See Figure 36 on page 106 for the naming conventions on the Ethernet card.

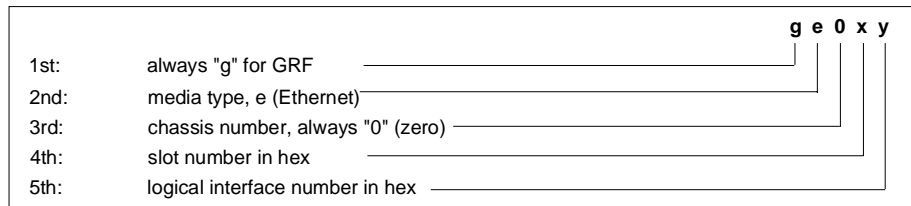


Figure 36. Components of the Ethernet Interface Name

The interface name is used in the /etc/grifconfig.conf file to specify an IP interface. Interface 7 on the Ethernet card in slot 3, for example, would be added to this file as:

```
#name      address          netmask          broad_dest      arguments
ge037     xxx.xxx.xxx.xxx 255.255.255.0   -               mtu 1500
```

Note: Interface names are case sensitive. Always use lower case letters when defining interface names.

4.1.2 Configuration File and Profile Overview

These are the steps to configure Ethernet interfaces:

1. Identify each logical interface

Edit /etc/grifconfig.conf to identify each logical interface by assigning:

- An IP address
- The GRF interface name
- A netmask, as required
- A destination or broadcast address, as required
- A Maximum Transmission Unit (MTU), if needed

2. Specify Ethernet card parameters in the card profile

These are the configurable items in a card profile for an Ethernet media card (all but the first optional):

- Configure interface mode: autonegotiate, 10 or 100 Base-T, full or half duplex
- Specify verbose option for messages from the Ethernet card
- Specify ICMP throttling settings
- Specify selective packet discard percentage

- Change run-time binaries
- Change dump variables

3. Load profile

Global executable binaries are set in the Load profile in the hw-table field. These only change when you want to execute new run-time code in every Ethernet card. If you want to change the run-time code in one Ethernet card (per interface), make the change in the Card profile, in the load field.

4. Dump profile

Global dump settings are in the Dump profile. These settings are usually changed only for debug purposes. The keep-count field specifies how many dumps are compressed and stored at one time for each media card.

The file system accommodates the default setting of zero (0), which actually stores two dumps per day (the current dump and the first dump of the day). Use caution if you change the recommended default.

If you want to change dump settings for one Ethernet card (per interface), make the change in the Card profile, in the dump field.

For a detailed discussion of these steps, refer to *GRF Configuration Guide 1.4*, GA22-7366.

4.1.3 Installing Configurations or Changes

In the command line interface (CLI), which you can recognize by its `super>` prompt, use `set` and `write` commands to install configuration parameters.

To save the files in the `/etc` configuration directory, use `grwrite -v`.

Additionally, when you enter configuration information or make changes, you must also reset the media card for the changes to take place.

Enter `grreset <slot_number>` to make this happen.

Hint: We have found situations where `grreset` was not able to reconfigure cards, ports or the running kernel. So if you are in doubt, it is always safe to `reboot -i` the GRF.

4.1.4 Assign IP Addresses - `grifconfig.conf`

Configure each logical interface in the `grifconfig.conf` file by assigning it an IP address, a GRF interface name, and, if required, a netmask and destination or broadcast address. Here is an entry from our `/etc/grifconfig.conf` file:

#name	address	netmask	broad_dest	arguments
ge070	10.20.30.1	255.255.255.0	-	mtu 1500
#ge071	10.20.30.1	255.255.255.0	-	mtu 1500
#ge072	10.20.30.1	255.255.255.0	-	mtu 1500
#ge073	10.20.30.1	255.255.255.0	-	mtu 1500
#ge074	10.20.30.1	255.255.255.0	-	mtu 1500
#ge075	10.20.30.1	255.255.255.0	-	mtu 1500
#ge076	10.20.30.1	255.255.255.0	-	mtu 1500
#ge077	10.20.30.1	255.255.255.0	-	mtu 1500

4.1.5 Specify Ethernet Card Parameters

As already mentioned, modifying the following profiles is optional.

- Card Profile - Card Parameters
- Load Profile - Run-time Code
- Dump Profile - Dump Defaults

Only for the configuration of the interface mode these profiles need to be modified. You would at least like to know whether FDX and HDX settings are suited to your environment and change them, if needed.

We advise that you set the ports explicitly to the values you expect them to have according to your network layout. We prefer to have control over the network, instead of it controlling us (which might be wishful thinking).

Set the Negotiation or Transfer Rate

Set the negotiation or transfer rate in the *ports/ether* field. By default, the setting for each interface is autonegotiate:

```
super> read card 7
CARD/7 read
super>list ports 1
port_num = 1
cisco-hdlc = { off on 10 3 }
fddi = { single off }
sonet = { "" "" 1 sonet internal-oscillator 0 207 }
hssi = { 0 16-bit }
ether = { autonegotiate }
hippi = {1 32 no-mode 999999 4 incremental 5 300 10 10 03:00:0f:c0 disab+
super> list ether
if-config = autonegotiate
```

At this level, use the `set` command to look at the interface options:

```
super> set if-config ?
```

```

if-config:
Ethernet interface configuration.
Enumerated field, values:
autonegotiate: autonegotiate
10-half: 10 BaseT Half Duplex
10-full: 10 BaseT Full Duplex
100-half: 100 BaseT Half Duplex
100-full: 100 BaseT Full Duplex
super> set if-config = 100-full
super> write
CARD2/ written
super> quit
#

```

The configuration of the Ethernet card is now completed. Issue `grwrite -v` and `grreset <slot_number>`. Communication between the GRF's Ethernet card and attached devices should work now. To monitor the card, use the `maint` commands we found to be useful in the following section.

4.1.6 Some `maint` Commands for the Ethernet Media Cards

The `maint` commands operate on the SP Switch control board and require the card's slot number, which you may find with the `grcard` command.

Prepare to use `maint` with the following steps:

- First, switch to `maint`'s `GR 66>` prompt with the `grrmb` command.
- At the `GR66>` prompt, change to the prompt for the specific card you are interested in. For a card in slot 7, this would be the command `port 7`.
- As a result, the following message along with the changed prompt is returned:

```

Current port card is 7
GR 7>

```

- At this prompt `maint` commands can be issued.
- To leave the `GR 7>` prompt, enter `quit`.

The following `maint` commands were most useful for us:

`maint 1` -to view the list of receive side (RX) `maint` commands.

`maint 101` -to view the list of transmit side (TX) `maint` commands.

`maint 3` -to display configuration and status of all ports.

`maint 4` -to display media statistics for both the input side and the output side for one or all eight interfaces. If you do not specify one interface,

you see the output for all eight. The input port side is reported on first.

`maint 5` -to return GRF switch statistics.

`maint 7` -to clear the current collected statistics.

`maint 8` -to display the ARP table for one interface or, if no interface is specified, for all interfaces.

4.2 ATM OC-3c Configuration

This section provides information needed to configure the ATM OC-3c media card. The GRF can be configured in point-to-point or point-to-multipoint ATM topologies with either switches or hosts. The OC-3c media card provides two independent physical ATM interfaces, each of which supports 110 logical interfaces and operates at 155Mbit/s full duplex.

4.2.1 Physical and Logical ATM Interfaces

Figure 37 shows the organization of physical and logical ATM interfaces on the ATM OC-3c media card.

	Logical Interfaces	VPI	VCI	Total # of active VCs
Physical Interface 0 (top)	0-7f (range)	0 1-15	0-32767 0-511	512
Physical Interface 1 (bottom)	80-ff (range)	0 1-15	0-32767 0-511	512
	220/card			1024/card

Figure 37. ATM OC-3c Physical and Logical Interfaces

Physical Interfaces

The ATM OC-3c media card supports two physical interfaces, each of which supports the assignment of 110 logical interfaces out of a range of 128.

Logical Interfaces

Logical interfaces provide a simple way of mapping many IP addresses onto a single ATM port. A logical interface serves as the connection between ATM and IP. Each logical interface is assigned a unique IP address in `grifconfig.conf`. All interface names are case sensitive. Always use lower case letters when defining interface names.

See Figure 38 for the naming conventions of an ATM interface.

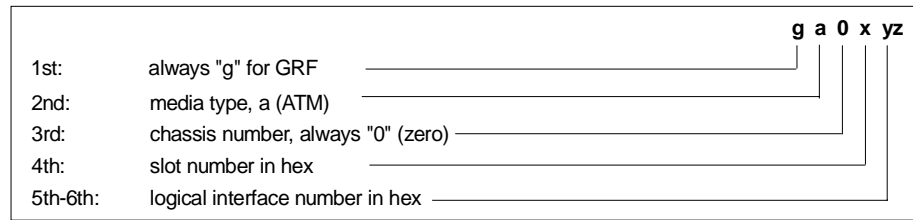


Figure 38. Components in the ATM OC-3c Interface Name

Virtual Circuits

A virtual circuit (VC) exists between two ATM devices. It is the point-to-point connection between them and is of no significance to other ATM devices.

Each VC is identified by a pair of numbers, representing a virtual path identifier (VPI) and a virtual circuit identifier (VCI). A slash (/) is used to separate the two numbers, for example, 0/2645. The VPI/VCI must be unique on a link. Because it is acceptable to use the same VPI/VCI on different links, a GRF can have the same VPI/VCI active on each physical interface.

The ATM OC-3c media card supports up to 1024 active VCs as defined in the ATM Forum UNI3.0 specification. VCs can be divided between the two physical interfaces in any manner required by the site, with 512 VCs active at any one time on each interface. Each VC has an associated IP address. VPI/VCI's are assigned to logical interfaces in /etc/gratm.conf, and provide the bridge between ATM and IP.

Virtual Paths

A virtual path (VP) connects two end stations, which may be separated by one or more network devices such as a router or switch. A path consists of one or more virtual circuits, as you can see in Figure 39.

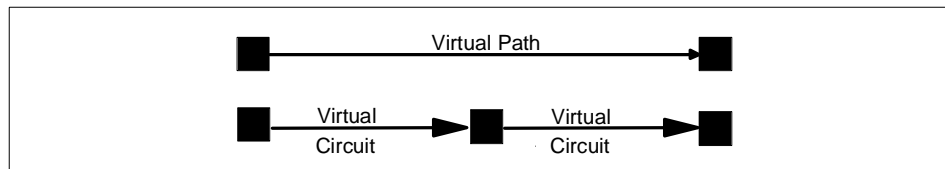


Figure 39. Components Forming a Virtual Path

VPIs 0 through 15 are available for configuration use. VPIs are assigned in the /etc/gratm.conf file with regard to their VCI.

VCI

VCIs name VCs. VCIs are also assigned in the /etc/gratm.conf file. On VPI 0, VCI 0 through VCI 32767 can be used; on VPIs 1-15, VCI 0 through VCI 511 can be used.

Note: Virtual circuits 0-31 on each VPI are reserved for signaling.

Permanent Virtual Circuits

Permanent virtual circuits (PVCs) are created statically. PVCs are configured in /etc/gratm.conf. The GRF supports Inverse ATM ARP (InATMARP) to determine the IP address of the other end of the VPI/VCI. If the other device does not support InATMARP, an ARP entry for the IP and VPI/VCI of the other device must be made in /etc/grarp.conf.

Note: VPI/VCI pairs must be unique per physical port, and you cannot have two or more circuits with the same VPI/VCI in the same logical interface.

Switched Virtual Circuits

Switched virtual circuits (SVCs) are created or destroyed dynamically using standard signaling protocols. These protocols allow ATM devices to create or destroy connections in response to traffic demands. The VPI/VCI for a given SVC is determined at the time of the connection setup, and thus requires no manual configuration in /etc/gratm.conf. However, it is necessary to specify which of the UNI signaling standards (UNI3.0 or UNI3.1) you wish to use, and to assign an ARP server. Both sides of the ATM link must use the same version of the signaling protocol. If you do not wish to use SVCs, set the signaling for that interface to NONE.

UNI signaling uses ATM Format NSAP addresses, not IP addresses, and requires the use of an ARP server. The ARP server maps an IP address to an NSAP address so that ATM signaling can create or use the appropriate SVCs for traffic destined for the given IP address. The ARP server's NSAP address must be configured in the Service section of /etc/gratm.conf.

PVCs and SVCs can be used simultaneously on the same physical interface (port). PVCs and SVCs can also coexist on the same logical interface.

Verifying an ATM Configuration

`maint` commands enable you to verify an ATM configuration. They are described in Section 4.2.7, "Some maint Commands for the ATM OC-3c Media Card" on page 116; some examples are provided there.

4.2.2 Installing Configurations or Changes

In the command line interface (CLI), use `set` and `write` commands to install configuration parameters.

To save the `/etc` configuration directory, use `grwrite -v`.

Additionally, when you enter configuration information or make changes, you must also reset the media card with the command `grreset <slot_number>` for the change to take place.

4.2.3 Configuration Files and Profiles

Following are the steps to configure an ATM card. They are listed here complete, although you can bring up an ATM connection with a subset. For detailed information, see *GRF Configuration Guide 1.4, GA22-7366*.

Proceed as follows:

1. Identify each logical interface.

Edit `grifconfig.conf`, to identify each logical interface, by assigning:

- An IP address
- The GRF interface name
- A netmask, as required
- A destination or broadcast address, as required
- An MTU, if needed

See Section 4.2.4, "Assign IP Addresses - `grifconfig.conf`" on page 114 for the details.

2. Specify ATM card parameters in the Card profile (all optional):

- Specify ICMP throttling settings
- Specify a selective packet discard percentage in the `spd-tx-thresh` field
- Change run-time binaries
- Change dump variables

3. Configure PVCs and SVCs in `/etc/gratm.conf`.

Edit the file `/etc/gratm.conf` and add entries for the following keywords for a minimum configuration:

- `Traffic_Shape`
- `Interface`
- `PVC`

The following screen shot shows an excerpt from our scenario:

```

Traffic_Shape name=high_speed_high_quality \
    peak=155000 sustain=155000 burst=2048 qos=high

Traffic_Shape name=low_speed_high_quality \
    peak=15500 qos=high

Interface ga010 traffic_shape=high_speed_high_quality
Interface ga0180 traffic_shape=low_speed_high_quality

PVC ga010 0/132 proto=ip traffic_shape=high_speed_high_quality
PVC ga0180 0/134 proto=ip traffic_shape=low_speed_high_quality

```

4. Load profile (optional).

Global executable binaries are set in the Load profile in the hw-table field. These only change when you want to execute new run-time code in every ATM card.

If you want to change the run-time code in one ATM card (per physical interface), make the change in the Card profile, in the load field.

5. Dump profile (optional).

Global dump settings are in the Dump profile. These settings are usually changed only for debug purposes. The keep-count field specifies how many dumps are compressed and stored at one time for each media card. The default setting is zero (0), which actually stores two dumps per day (the current dump and the first dump of the day). Use caution if you change the recommended default.

If you want to change dump settings for one ATM card (per interface), make the change in the Card profile, in the dump field.

4.2.4 Assign IP Addresses - grifconfig.conf

Edit the grifconfig.conf file to assign an IP address to each logical ATM interface. You can also provide other information about the logical IP network to which that interface is physically attached, or specify a different MTU in the arguments field, for example.

When you configure a logical interface on a point-to-point media such as ATM, enter the destination IP address in the broad_dest address field. An entry in the broad_dest address field for an ATM interface creates a point-to-point connection to that address. If you do not specify a broadcast address, you create a non-broadcast, multiaccess (NBMA) interface. The optional arguments field is currently used to specify MTU values on a logical

interface basis. This field is also used to specify ISO when an ISO address is being added to an interface's IP address. Specify the MTU value as `mtu xxxx`. Leave the arguments field blank if you are not using it.

The following excerpt from our `/etc/grifconf.conf` file shows the format of an entry:

```
# name address netmask broad_dest arguments
ga010 10.1.1.1 255.255.255.0 - mtu 9180
ga0180 10.1.2.1 255.255.255.0 10.1.2.2
```

As you can see, we have defined the first logical interface to be broadcast and the second interface to be point-to-point.

4.2.5 Specify ATM Card Parameters

Changing the following profile is not mandatory. You can safely use the defaults. Refer to *GRF Configuration Guide 1.4, GA22-7366* if you intend to change settings.

4.2.6 Configuring PVCs

To configure a logical interface that supports PVCs, make entries in these configuration files:

1. `/etc/grifconfig.conf`

Assign an IP address to the logical interface.

2. `/etc/grarp.conf`

Supply IP-to-physical address mapping information for the ARP service.

Put an entry into `/etc/grarp.conf` *only* if the remote destination does *not* support InATMARP, which the GRF does.

3. `/etc/gratm.conf`

- Traffic shaping section

Set the traffic shaping name and quality of service parameters. The name may be any meaningful string you like.

- Signaling section

Set `protocol=NONE` on the signaling entry for the appropriate card and connector combination.

- Interface section

Define the traffic shaping profile for the logical interface to which the media card's PVCs are assigned.

- PVC section

Specify characteristics for each PVC, including:

- Assigned logical interface name
- VPI/VCI
- Protocol supported
- Whether AAL is used
- Assigned traffic shaping profile (only if it would be different from the profile given previously to the logical interface in the Interface section)

Templates of these configuration files are in *GRF Reference Guide 1.4, GA22-7367*; traffic shaping is discussed in detail in *GRF Configuration Guide 1.4, GA22-7366*.

Hint: Use `gratm -n ga0<slot_the_ATM_card_is_in>` to check for any errors in `/etc/gratm.conf`.

The actual data for configurations we tested will be presented in Section 5.1.3, "SP Switch - ATM Connection" on page 167 and Section 7.1, "ATM OC-3c Backbone Connection" on page 209, respectively.

4.2.7 Some maint Commands for the ATM OC-3c Media Card

The `maint` commands display a range of information about the media card. The ATM OC-3c card has individual processors for the transmit and receive sides, and two sets of `maint` commands. One set covers the receive (RX) side and includes some commands applicable to the card overall. The second set covers the transmit (TX) side. Transmit side counterparts of receive side commands use the same number but are 100-based. For example, the receive side `maint 8` is transmit side `maint 108`.

To use `maint`, follow these steps:

- First, switch to the `maint` prompt with the `grmb` command. A new prompt, `GR 66>`, will appear.
- Then change the prompt port to the ATM media card you are working with. For example, if you are working with a card in slot 3, enter `GR 66> port 3`.

The following message is returned along with the changed prompt:

```
Current port card is 3
```

```
GR 3> .
```

- To leave any `maint` prompt and return to the shell, enter `quit`.

Following are just a few `maint` commands we have found useful; of course, your experiences may vary.

To see the list of `maint` commands for the receive side, enter `maint 1`; to see the list of `maint` commands for the transmit side, enter `maint 101`.

The `maint 3` command gives you useful options for looking at a variety of active interfaces. To look at media information per port, use `maint 4` and the port number, 0 or 1. Use `maint 4 0` to see the information for the card's port 0.

To display switch statistics, use `maint 5`, which will give you information about the number of packets to and from the switch (in the GRF).

You can return information about VPI/VCI on a per port, per side basis with `maint 13 0` or `maint 13 1`, respectively. For information about traffic statistics use `maint 14 0` or `maint 14 1`, respectively.

4.2.8 Using grrt to Display the Route Table

Use the `grrt -S -p<slot>` command to display the current contents of the ATM OC-3c card's route table. The following is an actual screen shot:

```
# grrt -S -p1
default          1  192.168.4.137  inx 0  RMS
0.0.0.0          8  0.0.0.0       inx 0  DROP
10.1.1.0         16 0.0.0.0       ga010  FWD
10.1.1.1         15 0.0.0.0       ga010  LOCAL
10.1.1.255      14 0.0.0.0       ga010  BCAST
10.1.2.1        19 0.0.0.0       ga0180 LOCAL
10.10.1.0        7  0.0.0.0       bg0    BFWD
10.10.1.13      6  0.0.0.0       bg0    BLOCAL
10.10.1.255     5  0.0.0.0       bg0    BBCAST
127.0.0.0        4  0.0.0.0       inx 0  FWD
127.0.0.1       3  127.0.0.1    inx 0  RMS
192.168.4.0     10 0.0.0.0       inx 0  RMS
192.168.13.0    17 10.1.1.2     ga010  FWD
192.168.14.0    13 0.0.0.0       gt030  FWD
192.168.14.4    12 0.0.0.0       gt030  LOCAL
192.168.14.255  11 0.0.0.0       gt030  BCAST
224.0.0.0        2  0.0.0.0       inx 0  MCAST
224.0.0.0        2  0.0.0.0       inx 0  MCAST
224.0.0.0        2  0.0.0.0       inx 0  MCAST
255.255.255.255  9  0.0.0.0       inx 0  BCAST
#
```


4.2.9 Using grstat to Display GRF Statistics

Use the `grstat -w70 all <interface>` command to display the current statistics of the ATM OC-3c card's IP stack. The following is an actual screen shot:

```
# grstat -w70 all ga010
ga010
  ipstat
    count description
    1955290 total packets received
    1955269 packets forwarded normally
        21 packets handled by the card
  ipdrop
    count          last          last
          source addr      dest addr reason
  icmperr
    count  last  last  last          last          last
          type  code  val  source addr      dest addr error
  icmpin
    count  type          last          last          last
          type  code          source addr      dst addr
  icmpout
    count  type          last          last          last
          type  code          source addr      dst addr
#
```

4.3 ATM OC-12c Configuration

This section provides information needed to configure the ATM OC-12c media card. The GRF can be configured in point-to-point or point-to-multipoint ATM topologies with either switches or hosts.

The ATM OC-12c card is very similar to the OC-3c card introduced in Section 4.2, "ATM OC-3c Configuration" on page 110, so only the differences between the two cards will be handled here.

The OC-12c media card provides one physical ATM interface, which supports 220 logical interfaces and operates at 622Mbit/s full duplex.

4.3.1 Physical and Logical ATM Interfaces

Figure 40 on page 120 shows the organization of physical and logical ATM interfaces on the ATM OC-12c media card.

Physical Interface 0 (center)	Logical Interfaces	VPI	VCI	Total # of active VCs
	0-ff (range)	0 1-3	0-1024 0-127	1408

Figure 40. ATM OC-12c Physical and Logical Interfaces

Physical Interfaces

The ATM OC-12c media card supports one physical interface. It supports the assignment of 220 logical interfaces out of a range of 256.

Virtual Circuits

The ATM OC-12c media card supports up to 1408 active VCs.

Virtual Paths

VPIs 0 through 3 are available for configuration use.

VCIs

On VPI 0, VCI 0 through VCI 1023 can be used; on VPIs 1-3, VCI 0 through VCI 127 can be used.

Note: Virtual circuits 0-31 on each VPI are reserved for signaling.

4.3.2 Installing Configurations or Changes

In the command line interface (CLI), use `set` and `write` commands to install configuration parameters.

To save the /etc configuration directory, use `grwrite -v`.

Additionally, when you enter configuration information or make changes, you must also reset the media card with the command `grreset <slot_number>` for the change to take place.

4.3.3 Configuration Files and Profiles

The following steps to configure an ATM OC-12c card are the minimum subset required to successfully bring up a connection. See Section 4.2.3, "Configuration Files and Profiles" on page 113 up to Section 4.2.6, "Configuring PVCs" on page 115, and refer to *GRF Configuration Guide 1.4*, GA22-7366.

Proceed as follows:

1. Identify each logical interface.

Edit /etc/grifconfig.conf, to identify each logical interface by assigning:

- An IP address
- The GRF interface name
- A netmask, as required
- A destination or broadcast address, as required
- An MTU, if needed

2. Configure PVCs and SVCs in /etc/gratm.conf.

Edit the file /etc/gratm.conf and add entries for the following keywords for a minimum configuration:

- Traffic_Shape
- Interface
- PVC

The following screen shot shows an excerpt from our scenario:

```
Traffic_Shape name=bigg_speed_high_quality \  
    peak=622000 sustain=622000 burst=2048 qos=high  
  
Interface ga020 traffic_shape=bigg_speed_high_quality  
  
PVC ga020 0/132 proto=ip traffic_shape=bigg_speed_high_quality
```

Note: the ATM OC-12c card supports up to 622 Mbit/s, as opposed to the 155 Mbit/s of the ATM OC-3c card. So you have to define new traffic shapes and assign them to the interface and the PVC.

Hint: Use `gratm -n ga0<slot_the_ATM_card_is_in>` to check for any errors in /etc/gratm.conf.

The actual data for the configuration we tested will be presented in Section 7.2, "ATM OC-12c Backbone - One Port" on page 222.

4.4 FDDI Configuration

This section provides information needed to configure the FDDI media card. The card has four physical interfaces that can be connected to either switches, hubs or hosts, and may be set up as four single attached stations (SAS), as two SASs and one dual attached station (DAS), or as two DASs. It operates at 100Mbit/s.

It might be useful to give a short overview of possible FDDI connection options, namely SAS, DAS, optical bypass and dual homing, and show a picture explaining these scenarios.

Single Attach (SAS)

Single attach FDDI interfaces can be either master (M) ports or slave (S) ports. They require a cable with a corresponding master or slave connector. Single attach cables have an M connector on one end and an S connector on the other. With no key installed, both M and S connectors fit the FDDI interface. So if you do not use the colored keys that come with every FDDI cable and mark the connectors and receptacles as to their use correctly, you may well be unable to get a working physical connection, because you have connected the wrong fiber ports together.

To key a connector, fit the red type A, the blue type B or the green type M key inserts accordingly. An unkeyed connector is of type S.

A single attach FDDI interface on the GRF is a master port when it directly connects to a workstation. As shown in Figure 41, it is a slave port when connected to the master port of an FDDI concentrator which, in turn, connects to the slave ports of SAS workstations.

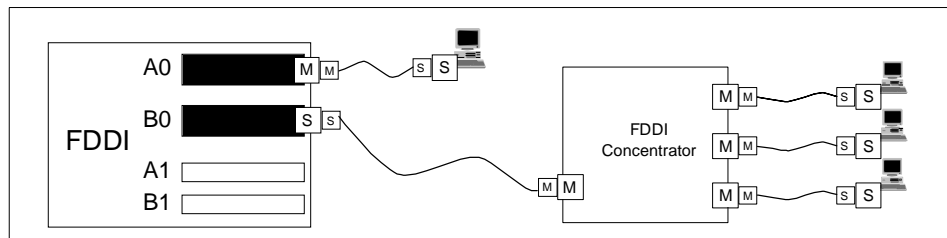


Figure 41. Master/Slave Connectors for SAS Interfaces

Dual Attach (DAS)

Dual attach interfaces connect to form two unbroken counter-rotating rings. Each interface, or station, has both an A and a B port.

Dual attach cables have an A connector on one end and a B connector on the other. As shown in Figure 42 on page 123, the A port connects a station to its downstream neighbor; the B port connects a station to its upstream neighbor.

To create a logical ring, A must connect to B and B must connect to A. Otherwise, the network does not operate as a logical ring, but segments into unconnected subrings.

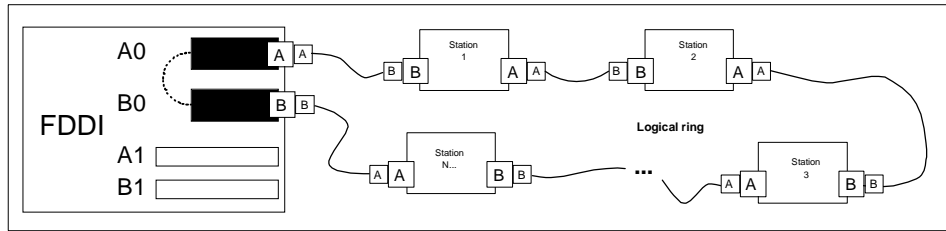


Figure 42. A/B Connectors for DAS Interfaces

Configuring SAS versus DAS

Only the top or bottom pair of FDDI interfaces can be set to dual attach. Interfaces 1 and 2, for example, must not be paired. It is recommended to set unused FDDI interfaces to single in the Card profiles (which is the default anyway).

All possible FDDI configurations are shown in Figure 43.

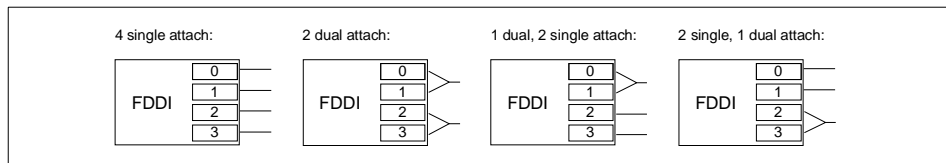


Figure 43. Allowed SAS and DAS Configurations

In the Card profile, specify SAS or DAS as `single` or `dual` in the `ports/fddi` field. This example shows how to set interfaces 0 and 1 as DAS and do a `write` at the end to save the changes. The following shows the path to change the setting of a port from SAS to DAS.

You have to `exit` from the `#` prompt to the `super>` prompt of the GRF and `read card <slot_number>`. We assume the FDDI card seated in port 0, therefore the command is `read card 0`.

The system responds with:

```
CARD/0 read
super>
```

Now provide the lower number of the two ports you want to assign DAS to, with `list ports 0`, and then issue `list fddi` to get the following from the system:

```

super> list ports 0
port_num = 0
cisco-hdlc = { off on 10 3 }
fddi = { single off }
sonet = { " " " 1 sonet internal-oscillator 0 207 }
hssi = { 0 16-bit }
ether = { autonegotiate }
hippi = { 1 32 no-mode 999999 4 incremental 5 300 10 10 03:00:0f:c0 disabled
super>
super> list fddi
single-dual = single
optical-bypass = off
super>

```

As you can see, the single-dual field is preset to single and the optical-bypass is preset to off. The following sets the FDDI interface 0 to DAS and saves the new settings:

```

super> set single-dual = dual
super> cd ..
port_num = 0
cisco-hdlc = { off on 10 3 }
fddi = { dual off }
sonet = { " " " 1 sonet internal-oscillator 0 207 }
hssi = { 0 16-bit }
ether = { autonegotiate }
hippi = { 1 32 no-mode 999999 4 incremental 5 300 10 10 03:00:0f:c0 disabled
super> list fddi
single-dual = dual
optical-bypass = off
super>
super> write
CARD/0 written
super>

```

You have to go through the same procedure again and replace references to port 0 with port 1.

Use `sh` to return to the operating system of the GRF and `grreset` the card, or use `exit` to log off from the router.

Once you get more familiar with the GRF, you may prefer the following quick way:

```

super> read card 0
CARD/0 read
super> set port 0 fddi single-dual = dual
super> set port 1 fddi single-dual = dual

```

```
super> write
CARD/0 written
super>
```

Optical bypass

Optical bypass capability has to be provided externally. The FDDI face plate has a six-pin DIN connector to directly attach a single bypass switch.

As shown in Figure 44, two bypass switches can be attached with the an Y-cable adapter. The Y-cable is required to reconcile control pin assignments between the GRF and the external switch module. Through the Y-cable, an optical bypass switch module attaches to a pair of media interface connectors on the FDDI card.

A bypass switch allows the GRF to remove itself from the dual ring during a failure or maintenance without causing the ring to "wrap" at upstream and downstream neighbors. Should a GRF failure occur, the bypass switch connects upstream and downstream neighbors on both the primary and secondary rings, and allows the GRF node to remove itself from the ring gracefully, while still retaining ring continuity.

A node failure without a bypass switch causes the dual ring to "wrap". A wrapped ring absorbs the secondary ring into the primary ring and no longer has a backup ring.

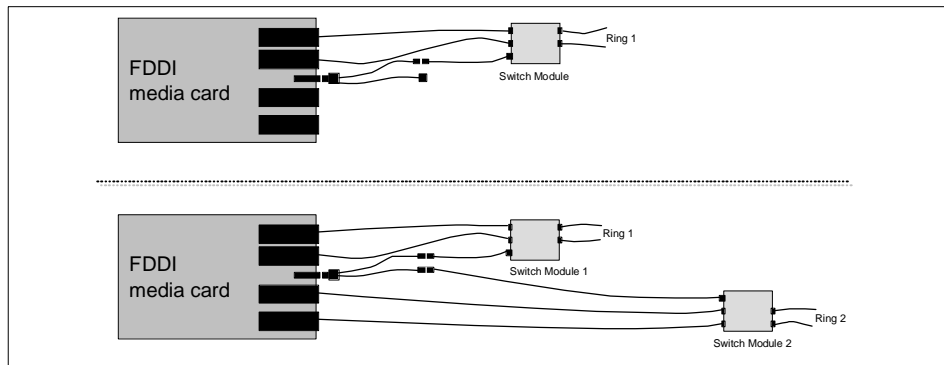


Figure 44. Optical Bypass Switch Attachments

Dual homing

Dual homing provides redundant connectivity between an FDDI media card and a single ring.

Configure the FDDI media card for dual attach, but use two single attach (SAS) cables to connect to two M ports. As shown in Figure 45, the M ports can be on either one or two FDDI concentrators on the ring.

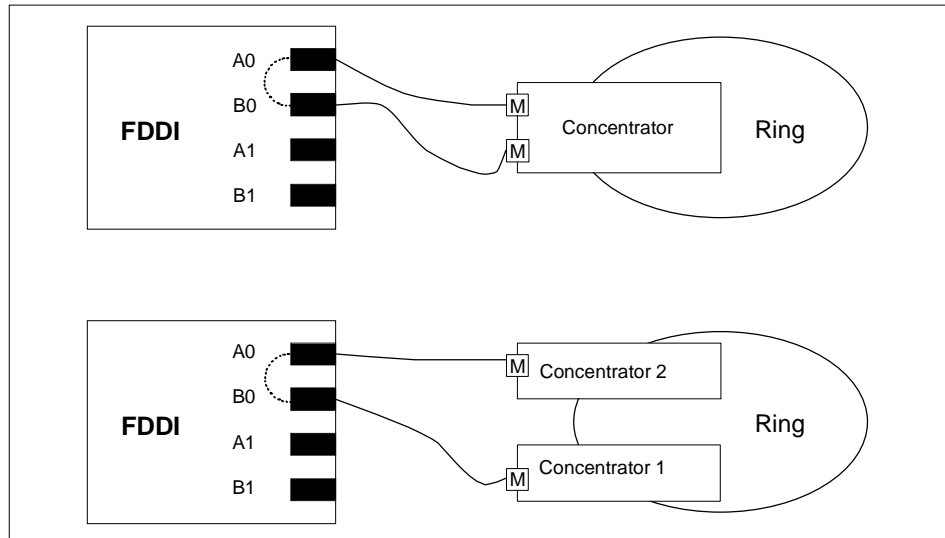


Figure 45. Dual Homing Configurations

4.4.1 Separate Networks versus Bridging

With all that said, it should be very clear now that every port needs to be attached to a distinct network, either physical or logical (divided by subnet masks). This gives you distinct paths to every network and requires setting up routes.

If you are running a flat FDDI backbone and have the need to connect all four ports into it, you must configure the card's interfaces to use transparent bridging, thus "bundling up" the bandwidth of the four interfaces.

The actual steps to implement bridging will be covered later; refer to Section 4.6, "Configuring Bridging" on page 142.

4.4.2 Naming the FDDI Interfaces

Each interface may be named or numbered in four different ways:

- By its physical location on the FDDI card
- By a site-specified SAS/DAS setting name in the Card profile, `single` or `dual`

- By a logical interface number assigned after the SAS/DAS settings are numbered (used in the `/etc/grifconfig.conf` file)
- By a unique IP address assigned to each logical interface

Figure 46 shows files where various numbers are used to configure the interfaces on an FDDI media card.

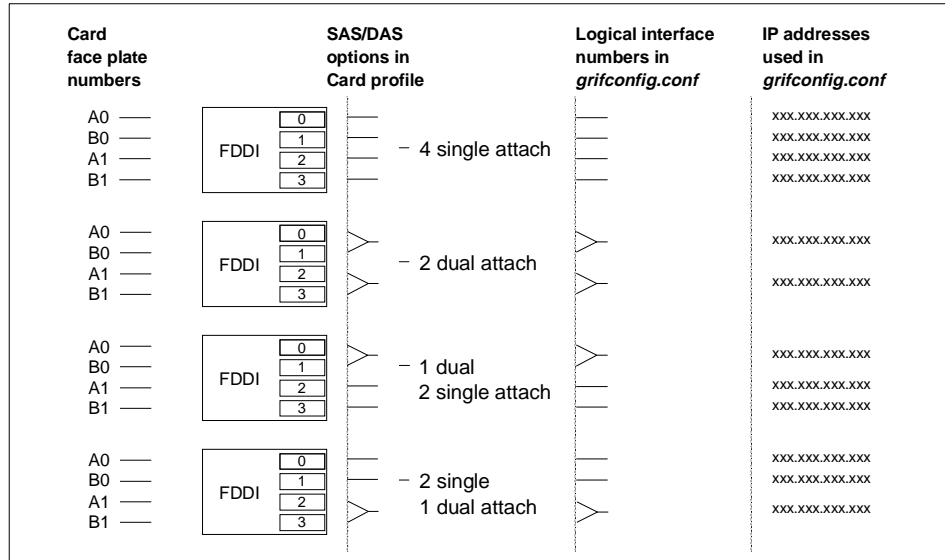


Figure 46. Assigning Numbers to FDDI Interfaces

4.4.3 Physical Interface Numbers

The physical interface number identifies the specific FDDI fiber optic attachment component according to its location on the media card; it may be from 0–3.

Starting at the top of the media card, each physical interface is numbered consecutively, beginning with 0, as shown in Figure 47 on page 128.

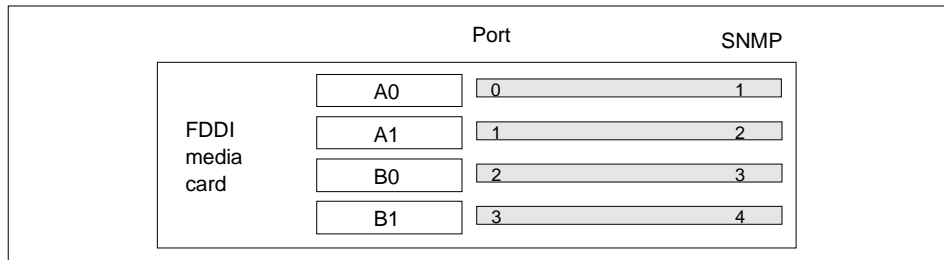


Figure 47. Physical Interface Numbering on the FDDI Media Card

The diagram shows physical interface numbering to be 0-based (0–3), whereas SNMP numbering is 1-based (1–4).

4.4.4 GRF Interface Name

The GRF interface name has five components that describe an individual FDDI interface in terms of its place on the media card and in the GRF router.

Follow the naming conventions shown in Figure 48 and keep in mind that all interface names are case sensitive and that you must use all lowercase.

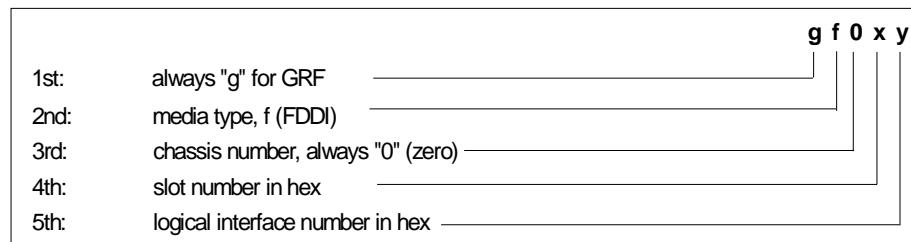


Figure 48. GRF Interface Name for FDDI Interfaces

The interface name and IP address are specified in the `/etc/grifconfig.conf` file.

4.4.5 Configuration Files and Profiles

Following are the steps to configure FDDI cards. They are listed here complete, although you can bring up an FDDI connection with a subset. For detailed information, see *GRF Configuration Guide 1.4, GA22-7366*.

Proceed as follows:

1. Identify each logical interface.

Edit `/etc/grifconfig.conf` to identify each logical interface by assigning:

- An IP address
 - The GRF interface name
 - A netmask, as required
 - A destination or broadcast address, as required
 - An MTU, if needed
2. Specify FDDI card parameters in the Card profile. All but the first two are optional and default to the most common settings, so normally you should be just fine omitting this step.
 - Specify SAS and DAS settings as `single` or `dual`, with `single` being the default.
 - Manually enable optical bypass `on` or `off` with `off` being the default.
 - Specify ICMP throttling settings.
 - Change run-time binaries.
 - Change dump variables.
 3. Load profile (optional).

Global executable binaries are set at the Load profile in the `hw-table` field. These only change when you want to execute new run-time code in every FDDI card.

If you want to change the run-time code in one FDDI card (per physical interface), make the change in the Card profile.

4. Dump profile (optional).

Global dump settings are in the Dump profile. These settings are usually changed only for debug purposes. The `keep-count` field specifies how many dumps are compressed and stored at one time for each media card. The default setting is zero (0), which actually stores two dumps per day (the current dump and the first dump of the day). Use caution if you change the recommended default.

If you want to change dump settings for one FDDI card (per physical interface), make the change in the Card profile, in the `dump/config` field.

4.4.6 Assign IP Addresses - `grifconfig.conf`

Edit the `/etc/grifconfig.conf` file to assign an IP address to each logical FDDI interface. You can also provide other information about the logical IP network to which that interface is physically attached, or specify a different MTU in the `arguments` field, for example.

The arguments field is also used to specify ISO when an ISO address is being added to an interface's IP address. Specify the MTU value as `mtu xxxx`. Leave the arguments field blank if you are not using it.

The following excerpt from our `/etc/grifconf.conf` file shows the format of an entry:

```
#name address netmask broad_dest arguments
gf000 10.2.1.15 255.255.255.0 - mtu 4352
gf001 10.3.1.16 255.255.255.0
gf002 10.4.1.17 255.255.255.0
```

As you can see, we used three interfaces and left out the specification for the MTU size on the last two, as 4352 is the default for FDDI.

4.4.7 Specify FDDI Card Parameters

The following steps are, as mentioned, optional, and in an SAS environment without optical bypass you can safely use the defaults.

If there is a need to set ports from SAS to DAS, refer to *GRF Configuration Guide 1.4*, GA22-7366, or look at the example in "Configuring SAS versus DAS" on page 123 for quick help.

4.4.8 Installing Configurations or Changes

In the command line interface (CLI), which is the working environment on the GRF with the `super>` prompt, use the `set` and `write` commands to install configuration parameters onto the media card.

If you apply changes to files in the `/etc` directory, do not forget to issue `grwrite -v` to have these changes written to flash, so that they are still in effect after a `reboot` of the GRF.

Additionally, when you enter configuration information or make changes, you must also reset the media card for the changes to take place. Enter `grreset <slot_number>` to do so.

Hint: We found that some changes did not go into effect until the GRF was rebooted, although the documentation indicated otherwise. So do not hesitate to `reboot` if things seem not to work as they should.

This completes the procedure to configure FDDI cards, and as with the ATM card, we would like to introduce some of the `maint` commands we found to be useful.

4.4.9 Some `maint` Commands for the FDDI Media Card

The `maint` commands display a range of information about the FDDI media card. The FDDI card has an individual processor for the transmit and receive side, and two sets of `maint` commands. One set, the `maint 1` commands, covers the receive (RX) side, while the second set, the `maint 70` commands, covers the transmit (TX) side.

To use `maint`, follow these steps:

- First, switch to the `maint` prompt with the `grmb` command. A new prompt, `GR 66>`, will appear.
- Then change the prompt port to the FDDI media card you are working with. For example, if you are working with a card in slot 0, enter `port 0` at the `GR> 66` prompt.

The following message is returned along with the changed prompt:

```
Current port card is 0
GR 0>
```

- To leave any `maint` prompt and return to the shell, enter `quit`.

Following are just a few `maint` commands we have found useful; of course, your needs may vary.

To obtain a list of FDDI CPU0 `maint` commands, enter `maint 1`. Enter the `maint 70` command to switch to the set of CPU1 commands. The `maint 3` command returns configuration information for each interface; to list statistics per FDDI interface, use `maint 4`; to list switch interface statistics, enter `maint 5`.

Clear all statistics with the `maint 7` command. Display the current ARP table's content with `maint 70 8`. Reset individual FDDI interfaces using `maint 12` and the physical interface number (0–3); `maint 12 0` will reset port 0.

4.4.10 Using grrt to Display the Route Table

Use the `grrt -S -p<slot>` command to display the current contents of the FDDI card's route table, as follows:

```
# grrt -S -p0
default                1    192.168.4.137    inx 0    RMS
0.0.0.0                8    0.0.0.0          inx 0    DROP
10.1.1.0               16   0.0.0.0          ga010    FWD
10.1.1.1               15   0.0.0.0          ga010    LOCAL
10.1.1.255             14   0.0.0.0          ga010    BCAST
10.1.2.1               19   0.0.0.0          ga0180   LOCAL
10.10.1.0              7    0.0.0.0          bg0      BFWD
10.10.1.13             6    0.0.0.0          bg0      BLOCAL
10.10.1.255           5    0.0.0.0          bg0      BBCAST
127.0.0.0              4    0.0.0.0          inx 0    FWD
127.0.0.1             3    127.0.0.1       inx 0    RMS
192.168.4.0           10   0.0.0.0          inx 0    RMS
192.168.13.0          17   10.1.1.2         ga010    FWD
192.168.14.0          13   0.0.0.0          gt030    FWD
192.168.14.4          12   0.0.0.0          gt030    LOCAL
192.168.14.255        11   0.0.0.0          gt030    BCAST
224.0.0.0              2    0.0.0.0          inx 0    MCAST
224.0.0.0              2    0.0.0.0          inx 0    MCAST
224.0.0.0              2    0.0.0.0          inx 0    MCAST
255.255.255.255      9    0.0.0.0          inx 0    BCAST
```

4.4.11 Using grstat to Display GRF Statistics

Use the `grstat -w70 all <interface>` command to display the current statistics of the FDDI card's IP stack. The following is an actual screen shot:

```
# grstat all gf001
gf001
  ipstat
    count description
    2958246 total packets received
      3 packets dropped
    2958226 packets forwarded normally
      17 packets handled by the card
  ipdrop
    count      source addr      last      dest addr      last      reason
    3          10.10.1.10      192.168.14.1 TTL expired
  icmperr
    count      last      last      last      last      last
    count type   code   val   source addr   dest addr error
  icmpin
    count      type           last      source addr      last      last
    count type   code   code   source addr      dst addr
  icmpout
    count      type           last      source addr      last      last
    count type   code   code   source addr      dst addr
    3 TIMXCEED   INTRANS   10.10.1.13   10.10.1.10
#
```

4.5 HIPPI Configuration

This section provides the steps to configure the High Performance Parallel Interface (HIPPI) media card of a GRF.

4.5.1 Introduction to HIPPI

HIPPI poses interesting configuration problems because of the number of ways HIPPI connections can be established. Several addressing schemes can be used, depending upon how a site needs to organize and connect equipment to support a range of user needs.

Not only are there several addressing schemes, but a HIPPI media card can be configured to process all of them. The HIPPI media card is capable of handling both HIPPI-SC switching protocol and IP packet routing, and, based on information field (I-field) indicators, can dynamically alternate between

these modes. Hosts must pass on the appropriate information for the GRF media cards and other HIPPI devices to operate in the desired way.

HIPPI offers many configuration options. The ANSI HIPPI standards and RFCs describe implementation details, that support source routing, logical addressing, IP routing, and raw (switch) mode operations.

4.5.1.1 Connection Processing

The GRF processes connections; it does not process data. It accepts data and establishes a connection point to which it can transfer data.

The HIPPI media card establishes connections and transfers packets. A HIPPI media card processes one HIPPI connection at a time. It does not begin another process until the first connection completes.

There are two types of connections:

- IP connections
- Raw connections

In internetworking, the main difference between the two connections is that data from a HIPPI host can be transferred to any other IP-capable media via IP routing. Raw mode is HIPPI to HIPPI, and is only used to transfer data from one HIPPI device to another HIPPI device. The HIPPI I-field tells the media card which type of connection is being requested.

So the toughest step in the configuration of a HIPPI media card is to compose the correct HIPPI I-field.

4.5.1.2 Starting a HIPPI Connection

The HIPPI standard requires that a HIPPI connection be established between a HIPPI source and a HIPPI destination before any data is transmitted. Every connection "request" signal sent to a HIPPI media card is accompanied by a HIPPI I-field.

The sequence that establishes a HIPPI connection is as follows:

1. The HIPPI source activates the REQUEST line to a destination while at the same time placing a 32-bit word, (the I-field), on the data lines.
2. The HIPPI destination sees the REQUEST signal, reads the I-field, and accepts the connection by activating its CONNECT line back to the source.

Data coming from an external HIPPI I/O channel may be formatted into standard IP packets. Embedded in the front of each IP packet is an IP

header. The media card reads the header only if told to do so by information in the HIPPI I-field. If the I-field tells the card to read the IP header, then an IP connection is established.

4.5.1.3 How the I-field is Used

The I-field tells the GRF how to process the connection, and where to send the data. Figure 49 shows the basic structure of a HIPPI I-field. Connection control information is in the leftmost 8 bits, addressing takes up the other 24 bits.

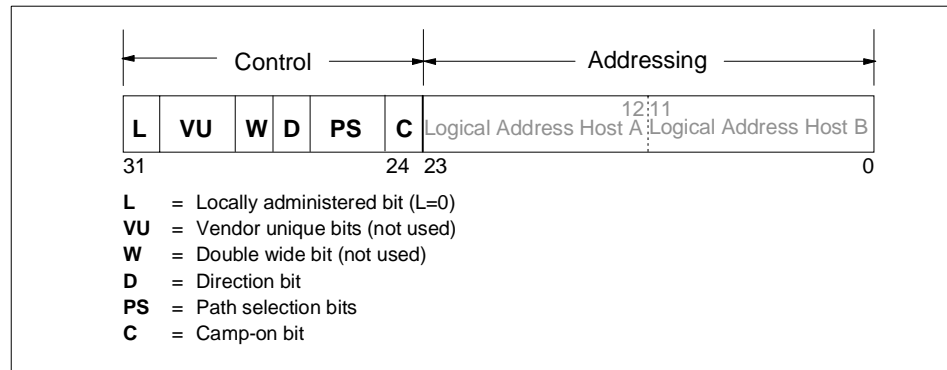


Figure 49. HIPPI I-Field Components

4.5.1.4 Camp-on Bit

The camp-on (C) bit is set to 1 or 0, which translates to on or off. The HIPPI source host uses camp-on to tell a HIPPI device (switch or router) to wait until a busy destination becomes available and to keep trying to make the connection.

4.5.1.5 Path Selection Bits

The path selection (PS) bits have four settings directing the HIPPI media card how to read the 24-bit destination address.

00 Source Routing

When the path selection is set to 00, that is source routing, the HIPPI source has selected the exact route to the destination, because the HIPPI host knows the specific path through some number of devices (switches or routers) to the endpoint host. In fact, the rightmost bits of the I-field (bits 0–23) contain the physical output slots for each switch or router in the path. In source routing, a return path is automatically "built" by the network device at each point of data transfer.

01 Logical Address

When PS is set to 01, that is, logical address, the host does not know or want to specify the actual physical route to the target endpoint. The host supplies a logical address for the endpoint host. In this case, all switches and the GRF must be programmed to route the connection.

The structure of the I-field is different when logical addressing is used. The 24-bit destination addresses are divided into two 12-bit fields. The rightmost 12 bits of the I-field contain the logical address of the target endpoint, the leftmost 12 bits contain the logical address of the source host.

Each switch or router has to look up the destination host's logical address in its own tables and decide which of its output slots it will transfer the data to. In the table, there may be several output slots that could be used in the route. PS set to 01 specifies that the *first entry* in the list of possible output ports *must* be used.

IP connection: An I-field containing a *special logical address* and a PS=01 or PS=11 setting is used to establish an IP connection with a GRF HIPPI card. In the I-field, the PS bits are set to 01 or 11, and bits 0–11 contain a designated destination logical address (0x~~f~~c0) that is mapped to slot 64.

After the IP connection is established, the data packets arriving at the GRF are routed to the appropriate output slot using the default or a site-specified IP destination logical address. Therefore, data is transferred using a table based on *IP addresses* rather than *HIPPI addresses*.

IP routing is discussed later in this chapter. Example 2 describes how to configure logical addresses.

10 Unused

This PS setting is not currently defined for use by the HIPPI-SC standard.

11 Logical Address

The PS=11 setting is the same as the 01 setting, except that the switch or GRF can choose *any* output slot from a list of valid slots for this logical address. (Remember, with PS=01, the *first* port in the list is used.)

Again, the host does not know the route and instead supplies a logical address for the endpoint host. All switches and the GRF must be programmed to route the connection.

4.5.1.6 Direction Bit

HIPPI hosts set the direction bit (D). This bit determines how a switch or router reads the 24-bits of destination address information. Figure 49 on page 135 and the previous descriptions of source routing and logical addressing have the destination address information organized as if the host has set the destination bit to 0.

If the destination bit is set to 1, the information in the 24-bit destination addressing is read starting from the left, and the logical addresses of host A and B change places. The destination bit makes it easy for source and destination hosts to reply and reverse transfer data to one another, or it can serve as a means to trace where a connection originates.

4.5.1.7 L, VU, and W Bits

The L and VU control bits are not used by the GRF, and the HIPPI media cards do not support double-wide HIPPI connections.

It will reject the connection if the W bit is set on.

4.5.1.8 IP Routing

In an IP connection, data coming from a HIPPI I/O channel is formatted into standard IP packets. Embedded in the front of each IP datagram is the IP header. The media card reads the header only if the information in the HIPPI I-field indicates an IP connection.

The header contains the Internet address of the host sending the datagram and the Internet address of the target IP media host for which the datagram is intended. This target host can be attached to any media that supports IP, or be reached via that attached media. Because the GRF is a router, it creates and updates an IP routing table that describes paths to destination addresses. This is the basis of IP routing.

Each GRF media card holds a copy of this IP routing table. When processing an IP connection, a HIPPI media card “opens” the datagram’s header, reads the address of the target host, and decides to which GRF media card the IP datagram is transferred.

4.5.1.9 IP Routing and the I-field

A HIPPI host’s I-field table can be used to direct the GRF HIPPI media card to do IP routing.

In the I-field, the PS bit needs to be set to 01 or 11 and a designated destination logical address (0x£c0) must be placed in bits 0–11. The mapping

of this address to slot 64 in the file `/etc/grlamap.conf` indicates the IP connection to the receiving media card and causes it to read the IP header.

The logical address `0xf0c0` is preset as a default in the logical address table. This logical address maps to the nonexistent slot 64. HIPPI cards are programmed to accept a connection and extract the destination IP address from the first datagram's header when they look up an address that points to slot 64.

A site can set any logical address to designate an IP connection if it maps this address to destination slot 64 in the `/etc/grlamap.conf` file. As noted, the address `0xf0c0` is preset in this file.

4.5.1.10 Using the IP Address

The receiving HIPPI card looks up the destination IP address in the routing table, finds the corresponding GRF output media card, and forwards the datagram across the crosspoint switch to it.

The output media card just forwards the data *unless* it is a HIPPI card connected to a HIPPI switch. In this case, the output HIPPI card needs an I-field to forward when it requests a HIPPI connection to the switch. You need to supply the I-field by editing the `/etc/grarp.conf` file.

4.5.1.11 HIPPI in a Bridging Environment

HIPPI does not bridge! On the GRF, you can route IP to a bridge group from a HIPPI routing domain, but there is no encapsulated bridging across a HIPPI connection.

4.5.1.12 MTU

The HIPPI MTU is 65280 bytes. A smaller MTU can be specified in the `/etc/grifconfig.conf` file in the arguments field.

4.5.1.13 ARP

HIPPI ARP tables for remote devices connected to GRF HIPPI interfaces are *manually* configured. Entries in the `/etc/grarp.conf` file map an IP address to a 32bit HIPPI I-field.

4.5.2 HIPPI Configuration Options

GRF Configuration Guide 1.4, GA22-7366 gives examples how to set up various configurations by programming a HIPPI media card and, when necessary, a HIPPI host I-field. Most of them deal with HIPPI to HIPPI configurations. HIPPI IPI-3 and the IBM HIPPI connection option, H0 HIPPI, are covered, too.

Section 7.3, "HIPPI Backbone Connection" on page 227, describes the steps to configure the GRF's HIPPI media card to do IP forwarding, so you have to refer to the Ascend documentation if you need to set up a different configuration.

4.5.3 Physical and Logical Interfaces

The HIPPI media card provides a single duplex attachment and operates at a speed of 100 MB/s. It requires a pair of 100-pin copper cables to connect to another HIPPI device.

Physical Interfaces

The upper HIPPI interface (RCV or DESTINATION interface) receives data from a host. The lower interface (XMT or SOURCE interface) transmits data to a host.

Logical Interfaces

A logical interface is configured by its entry in the `/etc/grifconfig.conf` file, where it is assigned an IP address and netmask. A logical interface is uniquely identified by its HIPPI interface name.

Interface Name

The generic form of a HIPPI interface name is `gh0x0`. See Figure 50 for the naming conventions on the HIPPI card.

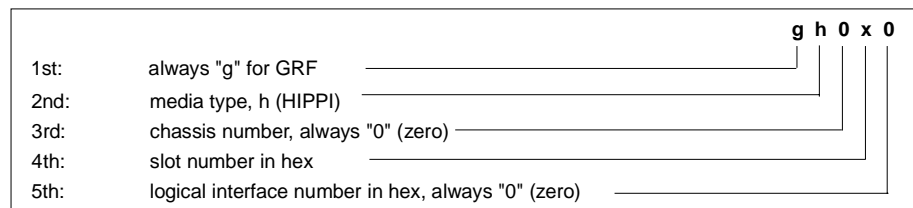


Figure 50. Components in the HIPPI Interface Name

The interface name is used in the `/etc/grifconfig.conf` file to specify an IP interface. The following is an entry from our actual configuration:

```
#name      address      netmask      broad_dest      arguments
gh000     10.50.1.2    255.255.255.0  -                mtu 65280
```

Note: Interface names are case sensitive. Always use lower case letters when defining interface names.

4.5.4 Configuration Files and Profiles

The following are the steps to configure HIPPI cards. For detailed information, see *GRF Configuration Guide 1.4*, GA22-7366.

1. Identify each logical interface.

Edit the `/etc/grifconfig.conf` to identify each logical interface by assigning:

- An IP address
- The GRF interface name
- A netmask, as required
- A destination or broadcast address, as required
- An MTU, if needed

2. Check the I-field shift in the System profile.

There is one configurable item in the System profile for HIPPI. By default, the I-field shift is set to 5 bits.

3. Specify HIPPI card parameters in the Card profile (all optional):

- Specify ICMP throttling settings.
- Change run-time binaries.
- Change dump variables.

4. Load profile (optional).

Global executable binaries are set in the load profile in the `hw-table` field. These only change when you want to execute new run-time code in every HIPPI card.

If you want to change the run-time code in one HIPPI card (per physical interface), make the change in the Card profile, in the `load` field.

5. Dump profile (optional).

Global dump settings are in the Dump profile. These settings are usually changed only for debug purposes.

The `keep-count` field specifies, how many dumps are compressed and stored at one time for each media card. The default setting is zero (0), which actually stores two dumps per day (the current dump and the first dump of the day). Use caution if you change the recommended default.

If you want to change dump settings for one HIPPI card (per physical interface), make the change in the Card profile, in the `dump/config` field.

4.5.5 Installing Configurations or Changes

In the command line interface (CLI), which is the working environment on the GRF with the `super>` prompt, use the `set` and `write` commands to install configuration parameters onto the media card.

If you apply changes to files in the `/etc` directory, do not forget to issue `grwrite -v` to have these changes written to flash, so that they are still in effect after a `reboot` of the GRF.

Additionally, when you enter configuration information or make changes, you must also reset the media card for the change to take place. Enter `grreset <slot_number>` to do so.

Hint: We found that some changes did not go into effect until the GRF was rebooted, although the documentation indicated otherwise. So do not hesitate to `reboot` if things seem not to work as they should.

This completes the procedure to configure HIPPI cards, and to close this chapter, we would like to introduce some of the `maint` commands we found to be useful.

4.5.6 Some `maint` Commands for the HIPPI Media Card

The `maint` commands operate on the SP Switch control board and require the card's slot number, which the `grcard` command provides.

Prepare to use `maint` with the following steps:

- First, switch to `maint`'s `GR 66>` prompt with the command `grmb`.
- At the `GR66>` prompt you have to change to the prompt for the specific card. For a card in slot 0, this would be the command `port 0`.
- A new prompt, along with the following message, will appear:

```
Current port card is 0  
GR 0>
```
- Finally, at this prompt `maint` commands can be typed in.
- To leave the `GR 0>` prompt, enter `quit`.

The following `maint` commands were most useful for us:

To obtain a list of `maint` commands, use `maint 1`. To see IP statistics, use `maint 133`. Observe IP routing statistics with `maint 130 13` and control switch error counts with `maint 141`. Peek at the ARP table entries with `maint 156` and get the IEEE address with `maint 128`.

4.6 Configuring Bridging

This Chapter describes the GRF bridging implementation and provides configuration information.

4.6.1 GRF Bridging Implementation

The GRF implements IEEE 802.1d transparent bridging on GRF Ethernet and FDDI interfaces, and on ATM OC-3c interfaces using RFC-1483 encapsulated bridging over PVCs.

Transparent bridging provides a mechanism for interconnecting stations attached to physically separate Local Area Networks (LANs) as if they are attached to a single LAN. This interconnection happens at the 802 MAC layer and is transparent to protocols operating above this boundary in the Logical Link Control (LLC) or Network layers. Participating stations are unable to identify that peers are on anything other than the directly attached physical media.

The GRF implementation consists of the transparent bridging function described in 802.1d, and does not include any capability for Source Route or Source Route Transparent (SRT) bridge operation.

Summary of bridging features:

- Bridging on FDDI, Ethernet, and ATM OC-3c per the 802.1d standard
- Participation in 802.1d spanning tree protocol
- Layer-2 transparent bridging of MAC frames through the GRF from one interface to another
- Conversion of frames between Ethernet and FDDI formats as necessary
- Fragmentation of IPv4 frames if necessary
- Simultaneous bridging and routing over the same interface (a GRF interface participating in a bridge group can still route normally)
- Routing IP to or from a bridge group from any GRF media
- RFC-1483 encapsulated bridging over ATM OC-3c PVCs with either VC-based multiplexing or LLC encapsulation
- Up to 16 bridge groups per GRF
- Up to 32 GRF interfaces per bridge group

4.6.2 Simultaneous Routing and Bridging

Ascend's transparent bridging does not preclude the use of IP packet routing on the same physical interface.

Bridging as well as IP version 4 (IPv4) routing can both be enabled on the same physical interface. In this circumstance, the GRF exchanges traffic between bridging domains and routing domains that exist on the same physical media.

A GRF interface may simultaneously bridge layer-2 frames and route layer-3 packets. That is, it can forward frames destined to a system attached to another LAN at the MAC layer, but still receive IP packets destined for a remote system attached to a non-broadcast GRF interface and route those packets at the IP layer.

This unique capability eliminates the need for separate pieces of routing equipment to transport packets between domains.

To perform the simultaneous functions, the GRF bridging interface examines the destination MAC address of each arriving frame. If the address is *other than* a GRF MAC address for any interface participating in the assigned bridge group, the packet is submitted to the bridging engine for forwarding. When the MAC address is a GRF MAC address, the packet is forwarded to the GRF protocol forwarding engine for routing at the protocol layer.

4.6.3 Configuration Options

The GRF supports the configuration items specified in IEEE 802.1d. A GRF functioning as a bridge will interoperate with other bridges, including equipment of vendors in conformance with the IEEE 802.1d standard, to allow forwarding of frames across multiple LAN hops.

Additionally, the GRF supports 16 active IEEE 802.1 bridge groups, and will separate traffic between groups. For example, on a GRF with six attached FDDI rings, rings A, B, and C could form one bridge group, rings D and E could form a second bridge group, and ring F could stand alone, using only IP routing for its packets.

A GRF functioning as a bridge will also interoperate with other bridges to forward frames from one bridge to the other over ATM. This will allow two independent bridged LANs at remote locations to function as one logical network transparently connected by ATM. This encapsulated bridging follows the Internet standard specification in RFC-1483.

4.6.4 Interoperability

The following table gives an overview of the GRFs interoperability features.

FDDI Frame forwarding is compatible with any station sending and receiving FDDI LLC frames.

Ethernet Frame forwarding is compatible with any station using either DIX Ethernet or IEEE 802.3 frames.

ATM OC-3c Frame forwarding is compatible with any remote bridge using RFC-1483 bridging encapsulation.

Spanning tree GRF transparent bridging will interoperate with any other bridge (including other GRFs) compliant with the IEEE 802.1d spanning tree protocols.

4.6.5 Spanning Tree

The GRF implementation supports the full Spanning Tree Algorithm specified in the IEEE 802.1d standard.

Using the spanning tree, network topologies can contain cycles that can be used as redundant or backup links. The spanning tree controls the bridge's flow of traffic over all potential links to prevent packet storms (bridges repeating a packet or packets to each other, without end).

4.6.6 Bridge Filtering Table

Media card bridge interfaces forward new MAC source addresses to the operating system for insertion in the global bridge filtering table that is maintained on the control board. Each bridging media card type (FDDI, Ethernet, and ATM OC-3c) also has a copy of this table.

Bridge interfaces also "age" entries according to a site-specified timeout value. When no activity is associated with a MAC address for the specified timeout interval, the interface sends the operating software a delete request and the address is removed first from the global bridge filtering table and then, via update packets, from the media cards' tables.

The timeout is specified in seconds in the `/etc/bridged.conf` file.

4.6.7 Fragmentation

IPv4 frames are fragmented as necessary, as when bridging a FDDI frame of more than 1500 bytes to an Ethernet interface.

A frame may be too large for the maximum transmission unit (MTU) of the sending GRF interface. One example is when forwarding a 4500-byte frame from FDDI to an Ethernet interface with an MTU of 1500 bytes. The GRF bridge will attempt to break such a frame into fragments that will fit the sending interface. This is possible if the frame contains an IP datagram; then the GRF may use the fragmentation rules of IP to split the frame. Otherwise, the GRF *must drop* the frame.

4.6.8 Spamming

Spamming is when a bridging interface forwards a frame to all active interfaces in the bridge group. On the GRF, spamming is done when a broadcast address is received or when a frame arrives whose destination address is not in the bridge filtering table.

4.6.9 Bridging Components

The following subsections discuss the various bridging components.

4.6.9.1 Bridging Daemon – Bridged

The bridging daemon, `bridged`, is used to configure and manipulate bridging interfaces on the GRF. It operates the spanning tree algorithm specified in IEEE 802.1d and ensures interoperability with other 802.1d bridges.

`Bridged` reads the `/etc/bridged.conf` configuration file to build an *initial* bridging topology.

`Bridged` is started by the system script `/etc/grstart`. This script monitors the bridged daemon and restarts it if it stops.

4.6.9.2 Configuration File – `bridged.conf`

The bridging configuration file is `/etc/bridged.conf`. A utility, `breedit`, is used to access the file and create bridge groups and bridging settings.

Parameters in `bridged.conf` can be set to do the following:

- Name bridge groups
- Assign logical interfaces to a group
- Assign priority, starting state, root path cost, and forwarding addresses to individual logical interfaces
- Assign hello time and forwarding delay values, priority, maximum age, and discard addresses to individual groups

4.6.9.3 Editing Utility – Bredit

The `bredit` utility is used to access and edit the `/etc/bridged.conf` configuration file.

At this point, `bredit` runs a script in which you are asked if you want to make the changes permanent. The script also gives you the option of signaling `bridged` to reread the updated file immediately. When this option is taken, `bridged` restarts as if it were stopped and restarted for the first time. If you change the file in `vi` but do not choose either of the script options, `bredit` tells you that your changes were not committed.

If `bridged` is not running when `bredit` is used, the user is given the option of saving changes to the configuration in `/etc/bridged.conf` so that the next time `bridged` is started, the new changes take effect.

See an actual screen shot in Section 7.1.2, “ATM OC-3c Backbone - Using Two Ports” on page 215.

4.6.10 Management Tools

A set of tools are provided to manage bridging, primarily through `bridged`. Brief descriptions are provided here; more details are given in the *GRF Configuration Guide 1.4, GA22-7366*.

These tools include the `brstat` command which displays relevant `bridged` status and bridging information and the `brinfo` command which displays relevant kernel-based bridging information.

4.6.10.1 brstat

The `brstat` command provides a snapshot of state information directly from `bridged`.

Output will look similar to the following:

```
Bridged Information:
  Debug Level: 7, Trace Mask: 0xffffffff, Spanning Tree: Enabled
  Log File: "/var/tmp/bridged.trace", Config File: "/etc/bridged.conf"
  bridged started at: Wed Jun 17 14:13:16 1998

Bridge Group bg0
  Spanning Tree: Enabled
  Designated Root: [me]
  Bridge ID:      32768 00:c0:80:89:2d:f2

  Root Port: None
  Topology Change Detected: No
  Root Max Age: 20, Hello Time: 2, Forward Delay: 15
  Bridge Max Age: 20, Hello Time: 2, Forward Delay: 15, Hold Time: 1

                                Path Desig Desig                                Desig
```

```

Interface Port ID Con State          Cost Cost Bridge          Port
-----
gf000    128 1   Yes Forwarding 10   0   [me]             128 1
gf001    128 2   Yes Forwarding 10   0   [me]             128 2
gf002    128 3   Yes Forwarding 10   0   [me]             128 3
gf003    128 4   Yes Forwarding 10   0   [me]             128 4
Bridge Group bg1
Spanning Tree: Enabled
Designated Root: 32768 00:c0:80:84:8c:eb
Bridge ID:       32768 00:c0:80:96:38:68

Root Port: ga010, Root Path Cost: 10
Topology Change Detected: No
Root Max Age: 20, Hello Time: 2, Forward Delay: 15
Bridge Max Age: 20, Hello Time: 2, Forward Delay: 15, Hold Time: 1

Interface Port ID Con State          Path  Desig Desig          Desig
-----
*ga010    128 1   Yes Forwarding 10   0   32768 00:c0:80:84:8c:eb 128 1
ga0180    128 2   Yes Blocking  10   0   32768 00:c0:80:84:8c:eb 128 2

```

4.6.10.2 brinfo

The `brinfo` command is used to retrieve bridging interface information for administrative debugging and other situations where a simple checking of bridge port information is needed.

The `brinfo` command prints the list of bridge groups and bridge ports (underlying interfaces) that are members of the specified groups. If no groups are specified, all groups are reported on by default. Remember that `brinfo` gets its information directly from the BSD kernel, whereas `brstat` gets its information from bridged.

See the `brinfo` output for the same configuration as used for the `brstat` output before:

```

Bridged Daemon: Running

Bridge group name: bg0
  Flags:(0x3043) up broadcast running
  Ports: 4

Port gf000: State (0xf) Forwarding
  Flags: 0xb043 up broadcast running link0 link1 multicast
  Bridging media: fddi bpdu
  MAC address: 0:c0:80:89:2d:f2

Port gf001: State (0xf) Forwarding
  Flags: 0xb043 up broadcast running link0 link1 multicast
  Bridging media: fddi bpdu
  MAC address: 0:c0:80:89:2d:f3

Port gf002: State (0xf) Forwarding
  Flags: 0xb043 up broadcast running link0 link1 multicast
  Bridging media: fddi bpdu
  MAC address: 0:c0:80:89:2d:f4

Port gf003: State (0xf) Forwarding

```

```

Flags: 0xb043 up broadcast running link0 link1 multicast
Bridging media: fddi bpdu
MAC address: 0:c0:80:89:2d:f5

Bridge group name: bg1
Flags:(0x43) up broadcast running
Ports: 2

Port ga010: State (0x1) Running
Flags: 0xa043 up broadcast running link1 multicast
Bridging media: ethernet fddi bpdu
Max MTU: 4352
MAC address: 0:c0:80:f8:43:0

Port ga0180: State (0xf) Blocking
Flags: 0xa043 up broadcast running link1 multicast
Bridging media: ethernet fddi bpdu
Max MTU: 4352
MAC address: 0:c0:80:f8:44:80

```

4.6.11 Configuration File and Profile Overview

When a new GRF system is installed or a site upgrades to a bridging software release, the `/etc/bridged.conf` file does not exist. The bridging daemon, `bridged`, will not start without this file. The `grstart` program periodically checks to see if the `/etc/bridged.conf` file exists; when it finds the file, `grstart` then starts `bridged`. The following are the steps to configure bridging. For more information, refer to *GRF Configuration Guide 1.4*, GA22-7366.

1. Create `/etc/bridged.conf`.

A template file for `/etc/bridged.conf` is provided in `/etc/bridged.conf.template`. Copy the template file into `/etc/bridged.conf`.

2. Create bridge groups in `/etc/bridged.conf`

Run `bredit` to create and name the bridge groups, and assign bridging parameters to each.

3. Assign an IP address to each bridge group.

Edit `/etc/grifconfig.conf` to identify each bridge group by assigning:

- An IP address
- The GRF interface name
- A netmask, *required*
- A destination or broadcast address, as required
- An MTU value, if needed

4. Create ATM OC-3c PVCs for encapsulated bridges.

If you are going to configure an encapsulated bridge on an ATM circuit, edit the `/etc/gratm.conf` file to create a PVC on the ATM OC-3c logical interface.

5. Specify ARP service in the `/etc/grarp.conf` file, if needed.

4.6.11.1 Starting Bridged

The `grstart` program regularly checks for the presence of `/etc/bridged.conf` and starts the bridged daemon when the file is found.

In the UNIX shell, copy the template for the bridging configuration file to `/etc/bridged.conf`:

```
# cp /etc/bridged.conf.template /etc/bridged.conf
```

You will see this message:

```
# Jun 14 23:56:53 grf16 root: grstart: starting bridged.
```

Now you can use the `bredit` command to open `bridged.conf` and edit it:

```
# bredit
#
# NetStar $Id
#
# Configuration file for Bridge Daemon (bridged).
#
# Note: bridged will not start if it finds an error while
# trying to parse this file. Use the "-d" option on the
# command line with bridged to find proximity of the offending
# line.
#
```

If you have not already copied `/etc/bridged.conf`, or if `grstart` cannot find the file, you see this message:

```
Could not find default config file : /etc/bridged.conf
This seems to be the first time bridged is being configured.
Do you want to use the template configuration file ? [y/n] [n]
```

If you respond “yes” (y) to the `bredit` query, the file is opened for you in the UNIX vi editor. Comments in the file describe how to configure a group and its members, and define the bridging options and any defaults.

Exit the file with the vi command, `:q`. You do not need to write the file, `bredit` will do that.

4.6.11.2 Creating Bridge Groups in bridged.conf

The only required parameter is the list of FDDI, ATM or Ethernet interfaces you are assigning to the group.

The format of the group list is:

```
bridge_group bgA {  
  port interface_name;  
};
```

where interface_name is in the standard GRF interface name format gx0yz that uniquely describes a logical FDDI, Ethernet, and ATM OC-3c interface (see Figure 51).

A simple bridge group entry is:

```
bridge_group bg0 {  
  port ge003;  
  port gf010;  
};
```

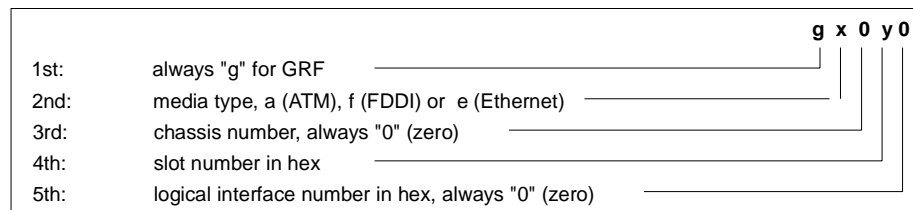


Figure 51. Interface Name for FDDI, Ethernet and ATM OC-3c Interfaces

4.6.11.3 Assign IP Addresses to Bridge Groups

Assign an IP address to each bridge group in the /etc/grifconfig.conf file:

```
#name      address          netmask          broad_dest argument  
#  
bg0        192.168.1.1     255.255.255.0  
bg2        192.168.2.1     255.255.255.0  
gf022     222.222.80.2   255.255.255.0  
ga030     222.222.02.4   255.255.255.0
```

Note: A netmask entry is *required* for each bridge group.

4.6.11.4 Create an ATM PVC for an Encapsulated Bridge

Bridging over ATM can be configured in two ways:

- LLC Encapsulation (RFC 1483, section 4)

- VC-Based Multiplexing (RFC 1483, section 5)

When LLC Encapsulation is used, a single PVC is configured to carry *all* bridged traffic. The same PVC can also carry nonbridged traffic such as routed IP datagrams.

When VC-Based Multiplexing is used, multiple PVCs are defined for the logical interface. Each PVC carries a *specific* type of traffic. For example, one PVC carries Ethernet while another carries FDDI.

Configuration in *gratm.conf*

The next three steps describe ATM bridging configuration requirements and options. Examples of configured PVCs follow.

1. In the Traffic Shaping section of the `/etc/gratm.conf` file, set traffic shaping name and quality of service (qos) parameters. Choose a name of your choice for each type of service that will be assigned:

```
# Traffic shaping parameters
# Lines beginning with the keyword "Traffic_Shape" define
# traffic shapes which may be used to configure the performance
# characteristics of ATM Virtual Circuits.
#
Traffic_Shape name=myown_high_speed_high_quality \
peak=155000 sustain=155000 burst=2048 qos=high
```

2. To configure a logical interface for bridging, you create an Interface entry in the Interface section of the `/etc/gratm.conf` file. This entry must include the intended bridging method. Specify it with the `bridge_method=` keyword.

Here is a sample Interface entry:

```
Interface ga030 traffic_shape=myown_high_speed_high_quality \
bridge_method=vc_multiplexed
```

There are two types of bridging methods to specify:

- VC-Based Multiplexing, `bridge_method=vc_multiplexed`

The configuration must include one or more PVCs for this interface specified in the PVC section and defined with `proto=vcmux_bridge`.

- LLC Encapsulation, `bridge_method=llc_encapsulated`

The configuration must include one PVC for this interface specified in the PVC section and defined with `proto=llc,bridging`. Media and transmission restrictions can also be specified with this keyword.

3. One or more PVCs must be defined in the PVC section for each logical interface specified for bridging in the Interface section.

A bridging PVC is assigned a protocol value. This value must be consistent with the bridging method defined for the logical interface. Bridging PVCs are assigned either of the following protocol values:

1. proto=llc,bridging,xxxx

This type of PVC is used for logical interfaces defined with bridge_method=llc_encapsulated, as well as logical interfaces not used for bridging. This PVC uses LLC encapsulation for each Protocol Data Unit (PDU).

xxxx represents a second protocol qualifier required for the proto= parameter.

This PVC entry enables bridging on an LLC PVC:

```
PVC ga030 0/32 proto=vcmux_bridge,bpdu \  
traffic_shape=high_speed_high_quality
```

2. proto=vcmux_bridge,yyyy

This type of PVC is used only for logical interfaces defined with bridge_method=vc_multiplexed. The PVC carries bridged traffic of a single type.

yyyy represents a second protocol qualifier required for the proto= parameter. This qualifier defines the type of bridged traffic the PVC can carry. Traffic types include:

- proto=vcmux_bridge,ether_fcs
Each PDU is an Ethernet frame, including a Frame Check Sequence (fcs).
- proto=vcmux_bridge,ether_nofcs
Each PDU is an Ethernet frame, without fcs.
- proto=vcmux_bridge,fdi_fcs
Each PDU is an FDDI frame, including fcs.
- proto=vcmux_bridge,fdi_nofcs
Each PDU is an FDDI frame, without fcs.
- proto=vcmux_bridge,bpdu
Each PDU is an 802.1d Bridging Protocol Data Unit (BPDU).

Following are some PVC configuration examples:

LLC Encapsulated:

```
# Traffic shape
```

```
Traffic_Shape name=high_speed_high_quality peak=155000  
sustain=155000 \
```

```
burst=2048 qos=high
```

```
# Logical interface
```

```
Interface ga030 traffic_shape=high_speed_high_quality \
```

```
bridge_method=llc_multiplexed
```

```
# PVC
```

```
PVC ga030 0/32 proto=llc,bridging
```

Note: The single PVC defined here can carry any kind of bridged frame, as well as routed IP traffic.

LLC Encapsulated, restricted to Ethernet:

```
# Traffic shape
```

```
Traffic_Shape name=high_speed_high_quality peak=155000 \  
sustain=155000 burst=2048 qos=high
```

```
# Logical interface
```

```
Interface ga030 traffic_shape=high_speed_high_quality \  
bridge_method=llc_multiplexed,broute_to_ether
```

```
# PVC
```

```
PVC ga030 0/32 proto=llc,bridging
```

Note: Any IP routed traffic transmitted on the PVC will be encapsulated as an Ethernet frame.

VC-Based Multiplexing options:

```
# Traffic shape
```

```
Traffic_Shape name=high_speed_high_quality peak=155000 \  
sustain=155000 burst=2048 qos=high
```

```
# Logical interface
```

```
Interface ga030 traffic_shape=high_speed_high_quality \  
bridge_type=vc_multiplexed
```

```
# PVCs for bridging
```

```
PVC ga030 0/32 proto=vcmux_bridge,ether
PVC ga030 0/33 proto=vcmux_bridge,ether_fcs
PVC ga030 0/34 proto=vcmux_bridge,bpdu
# PVC for IP (RFC 1577)
PVC ga030 0/35 proto=llc
```

Note: IP routed traffic is transmitted on its own PVC. If the separate IP PVC were not defined, then routed IP datagrams would be encapsulated as Ethernet frames.

4.6.11.5 Configuration for ARP Service - `grarp.conf`

If needed, supply IP-to-physical address mapping information for ARP service.

Put an entry into `/etc/grarp.conf` *only* if the remote destination does *not* support InATMARP, which the GRF does.

A sample entry would be:

```
#[ifname]      host          hwaddr      [temp] [pub] [trail]
ga020          172.0.130.111  0/32
```

4.6.11.6 Installing Configuration Changes

When you enter configuration information or make changes, you must do a `grwrite` command to save the `/etc` directory to permanent storage. In the CLI, or from the UNIX shell, enter `grwrite -v`.

You must also reset the media card for the changes to take place. Type `grreset <slot_number>`.

Note: We found that `grreset` would not be enough to get things up correctly, especially if the interfaces were already in use before.

We recommend using `grwrite -v`, followed by `reboot -i`.

Do not start hunting for bugs before you have tried these two commands.

4.6.12 Bridging ATM

The information in the previous chapter was used in implementing bridging with two ATM ports between two GRFs; see Section 7.1.2, “ATM OC-3c Backbone - Using Two Ports” on page 215.

4.6.13 Bridging FDDI

Transparent bridging is especially useful for day-to-day customer environments, where several FDDI backbones meet in the computing center and must be connected to an SP. Up to now, the SP was connected to the FDDI switch or router with one or two FDDI adapters, thus causing a bottleneck.

Now, with the GRF connecting directly to the SP Switch, the FDDI backbones can deliver their data at maximum speed. See Section 5.1.4.2, "SP Switch - FDDI Connection with Bridging" on page 179 for the setup.

4.6.14 Bridging Ethernet

What was discussed for FDDI applies to 100 Mbit/s Ethernet backbones, also.

We provide no scenario or setup for this case.

156 IBM 9077 SP Switch Router: Get Connected to the SP Switch

Chapter 5. Single RS/6000 SP and Single SP Switch Router

This section provides several sample configurations that are possible with a single RS/6000 SP and a single SP Switch Router. Sample configurations range from using the SP Switch Router as a conventional high performance router up to the connection of two SP partitions, allowing high-speed Switch communication between the partitions.

5.1 Single SP Partition and Single SP Switch Router Adapter Card

In this configuration, a single SP Switch Router Adapter card is connected to a single SP partition and works as a conventional high performance router. See Figure 52 for details. Five sample configurations that are common in customer environments were tested:

1. SP Switch - Ethernet Connection
2. SP Switch - FDDI Connection
3. SP Switch - ATM Connection
4. SP Switch - FDDI Connection (distinct backbones)
5. SP Switch - FDDI Connection (ADSM environment)

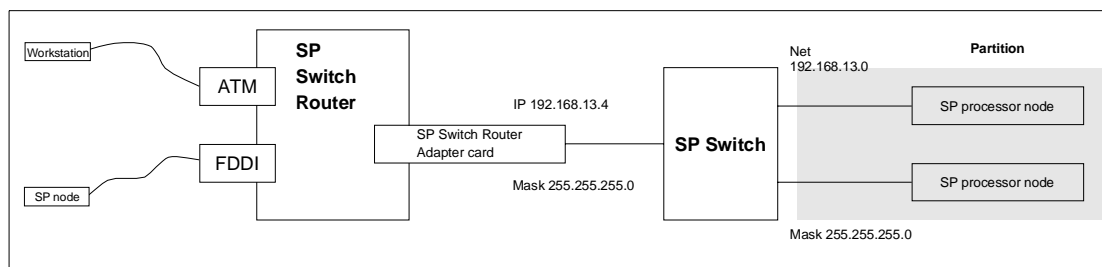


Figure 52. One Card - One SP Partition Sample Configuration

5.1.1 SP Switch - Ethernet Connection

This scenario might be appropriate in customers' environments where 100 Mbit Ethernet is the choice for the backbone network. Up to eight computers, Ethernet switches or Ethernet hubs can be connected directly to the SP Switch.

Configuration assumptions:

- The SP Switch Router Ethernet media card has been installed according to Section 4.1, “Ethernet 10/100Base-T Configuration” on page 105 and works properly.
- The SP Switch Router Adapter card has been installed according to Section 3.7, “Step-by-Step Media Card Configuration” on page 86 and works properly.
- The SP Switch Router Adapter card and SP processor node Switch adapters are in the same IP subnet.
- ARP should be enabled on the SP Switch network to provide the most flexibility in assigning IP addresses (strongly recommended!).
- If ARP is disabled on the SP Switch network, the IP addresses assigned to the nodes must be determined by the Switch node numbers. Refer to *PSSP Planning, Volume 2, Control Workstation and Software Environment* for details.

Configuration:

A RS/6000 model F50 with a PCI Ethernet adapter card is connected to port 1 of an Ethernet media card in the GRF 1600. The GRF 1600 SP Switch Router Adapter card is attached to the SP Switch of SP21, as shown in Figure 53 and Table 14 on page 159. The netmask for all interfaces is 255.255.255.0.

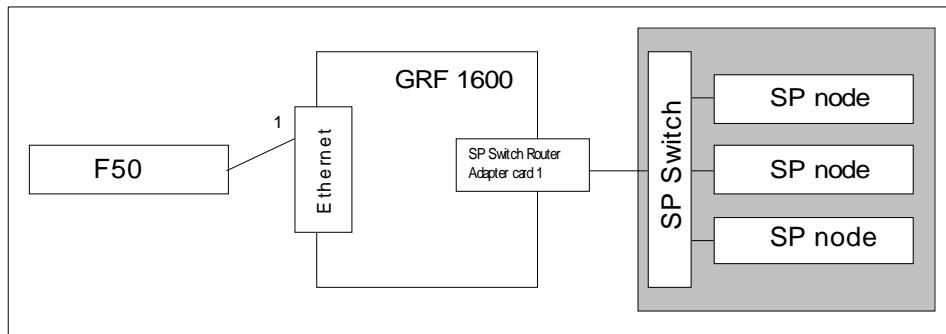


Figure 53. SP Switch - Ethernet Connection

Table 14 on page 159 shows the IP addresses used in our configuration.

Table 14. Configuration of SP Switch - Ethernet Connection

Adapter	IP Address
Ethernet interface in F50 (en0 on ent0)	10.20.30.50
SP Switch Router Ethernet media card (port 1)	10.20.30.1
SP Switch Router Adapter card 1	192.168.14.4
SP processor nodes in SP21	192.168.14.1 - 192.168.14.15

To successfully run this configuration, no routes need to be set on the SP Switch Router. The F50 and the processor nodes in SP21 require attention, though.

You should be able to ping the en0 interface on the F50:

```
(0)f50:/ 14$ ping 10.20.30.50
PING 10.20.30.50: (10.20.30.50): 56 data bytes
64 bytes from 10.20.30.50: icmp_seq=0 ttl=255 time=13 ms
64 bytes from 10.20.30.50: icmp_seq=1 ttl=255 time=0 ms
64 bytes from 10.20.30.50: icmp_seq=3 ttl=255 time=0 ms
^C
----10.20.30.50 PING Statistics----
3 packets transmitted, 3 packets received, 0% packet loss
round-trip min/avg/max = 0/3/13 ms
(0)f50:/ 15$
```

And you should also be able to ping the ge071 port of the GRF:

```
(0)f50:/ 15$ ping 10.20.30.1
PING 10.20.30.3: (10.20.30.1): 56 data bytes
64 bytes from 10.20.30.1: icmp_seq=0 ttl=255 time=0 ms
64 bytes from 10.20.30.1: icmp_seq=1 ttl=255 time=0 ms
64 bytes from 10.20.30.1: icmp_seq=2 ttl=255 time=0 ms
^C
----10.20.30.1 PING Statistics----
3 packets transmitted, 3 packets received, 0% packet loss
round-trip min/avg/max = 0/0/0 ms
(0)f50:/ 16$
```

To add the needed routing information, follow these steps:

1. On the F50, add the following route to the nodes in SP21:

```
route add -net 192.168.14 -netmask 255.255.255.0 \
```

```
-mtu 1500 10.20.30.1
```

2. Check for correct routing entry:

```
(0)f50:/ 26$ netstat -rn
Routing tables
Destination      Gateway          Flags  Refs    Use  If    PMTU  Exp  Groups

Route Tree for Protocol Family 2 (Internet):
default          9.12.1.30       UG     4    288844  tr0   -    -
9.12.1/24        9.12.1.50       U      24    41728  tr0   -    -
10.1.1/24        10.1.1.3        U       0         0  at1   -    -
10.20.30/24      10.20.30.50    U       1         0  en0   -    -
127/8            127.0.0.1       U       5     753  lo0   -    -
192.168.14/24    10.20.30.1      UG     0   2889408  en0  1500  -

Route Tree for Protocol Family 24 (Internet v6):
::1              ::1              UH     0         0  lo0  16896  -
(0)f50:/ 27$
```

3. On the nodes in SP21 that are supposed to communicate with the F50, add the following route:

```
route add -net 10.20.30.50 -netmask 255.255.255.0 \
-mtu 1500 192.168.14.4
```

4. Check for correct routing entry:

```
root@sp21n01:/ netstat -rn
Routing tables
Destination      Gateway          Flags  Refs    Use  If    PMTU  Exp  Groups

Route Tree for Protocol Family 2 (Internet):
default          192.168.4.137   UG     0    176719  en0   -    -
10.20.30/24      192.168.14.4    UG     0   2639453  css0  1500  -
127/8            127.0.0.1       U       8     529  lo0   -    -
192.168.4/24     192.168.4.15    U      11   393829  en0   -    -
192.168.13/24    192.168.14.4    UG     0   6323257  css0  9180  -
192.168.14/24    192.168.14.15   U       2   183033  css0   -    -

Route Tree for Protocol Family 24 (Internet v6):
::1              ::1              UH     0         0  lo0  16896  -
root@sp21n01:/
```

The -mtu parameter is optional but should be set to ensure optimal packet size on this route.

5. Issue some ping commands to check the connection:

On the F50, ping the SP Switch interface of a chosen node in SP21:

```
(0)f50:/ 29$ ping 192.168.14.15
PING 192.168.14.15: (192.168.14.15): 56 data bytes
64 bytes from 192.168.14.15: icmp_seq=0 ttl=254 time=0 ms
64 bytes from 192.168.14.15: icmp_seq=1 ttl=254 time=0 ms
64 bytes from 192.168.14.15: icmp_seq=2 ttl=254 time=0 ms
^C
----192.168.14.15 PING Statistics----
3 packets transmitted, 3 packets received, 0% packet loss
round-trip min/avg/max = 0/0/0 ms
(0)f50:/ 30$
```

On the chosen nodes in SP21, ping the ATM interface of the F50:

```
root@sp21n01:/ ping f50
PING f50: (10.20.30.50): 56 data bytes
64 bytes from 10.20.30.50: icmp_seq=0 ttl=254 time=1 ms
64 bytes from 10.20.30.50: icmp_seq=1 ttl=254 time=0 ms
64 bytes from 10.20.30.50: icmp_seq=2 ttl=254 time=0 ms
^C
----f50 PING Statistics----
3 packets transmitted, 3 packets received, 0% packet loss
round-trip min/avg/max = 0/0/1 ms
root@sp21n01:/
```

If these ping commands fail, check routing settings again. If everything is as it should be, try to ping the GRF Ethernet media card or the GRF SP Switch media card to find out which part is failing:

```
ping 192.168.14.4 (on chosen SP21 processor nodes)
```

```
ping 10.20.30.1 (on F50)
```

If any errors occur, check cabling, the configuration of SP Switch Router media cards (See Section 3.7, “Step-by-Step Media Card Configuration” on page 86 and Section 4.1, “Ethernet 10/100Base-T Configuration” on page 105) and network adapters in the F50 and the SP nodes.

Performance:

To get a rough overview of the data transfer rates that can be achieved in this scenario, we used ftp to conduct several file transfers of a 300 MB file from the F50 to the chosen nodes in SP21. We sent this file to /dev/null on the SP21 nodes to eliminate any hard disk influence on the receiver side:

```

0)f50:/itso/space 32$ ftp 192.168.14.1
Connected to 192.168.14.1.
220 sp2ln01 FTP server (Version 4.1 Tue Mar 17 14:00:13 CST 1998) ready.
Name (192.168.14.1:root): root
331 Password required for root.
Password:
230 User root logged in.
ftp> bin
200 Type set to I.
ftp> put bos.obj.ssp.itso /dev/null
200 PORT command successful.
150 Opening data connection for /dev/null.
226 Transfer complete.
299878400 bytes sent in 31.95 seconds (9166 Kbytes/s)
local: bos.obj.ssp.itso remote: /dev/null
ftp> quit
221 Goodbye.
(0)f50:/itso/space 33$

```

As you see in the screen shot, the F50's 9.2 MB/s comes very close to the theoretical maximum throughput of about 10-11 MB/s. So we decided to put some stress on the network, as follows:

On two SP21 nodes, we started ftp put commands to the F50, while the F50 was busy, putting data to other SP21 nodes, and observed an aggregate throughput over the Ethernet adapter of up to 15 MB/s, with more than 35% collision on the Ethernet and the F50 23% busy.

5.1.2 SP Switch - FDDI Connection

This is quite an easy scenario. It is used to connect workstations equipped with an FDDI interface card, FDDI hubs, and similar FDDI network devices to the SP Switch.

Configuration assumptions:

- The SP Switch Router FDDI media card was installed according to Section 4.4, "FDDI Configuration" on page 121, and works properly.
- The SP Switch Router Adapter card was installed according to Section 3.7, "Step-by-Step Media Card Configuration" on page 86, and works properly.
- The SP Switch Router Adapter card and SP processor node Switch adapters are in the same IP subnet.
- ARP should be enabled on the SP Switch network to provide the most flexibility in assigning IP addresses (strongly recommended!).

- If ARP is disabled on the SP Switch network, the IP addresses assigned to the nodes must be determined by the Switch node numbers. Refer to *PSSP Planning, Volume 2, Control Workstation and Software Environment* for details.

Note: The SP Switch Router Adapter card will not properly forward IP data to nodes assigned with an IP address that is in another subnet.

Configuration:

To establish this scenario, the FDDI interface of node 10 in SP21 was connected to the SP Switch Router FDDI media card, port A0. The SP Switch Router Adapter card is attached to the SP Switch of SP2, as shown in Figure 54 and Table 15. The netmask for all interfaces is 255.255.255.0.

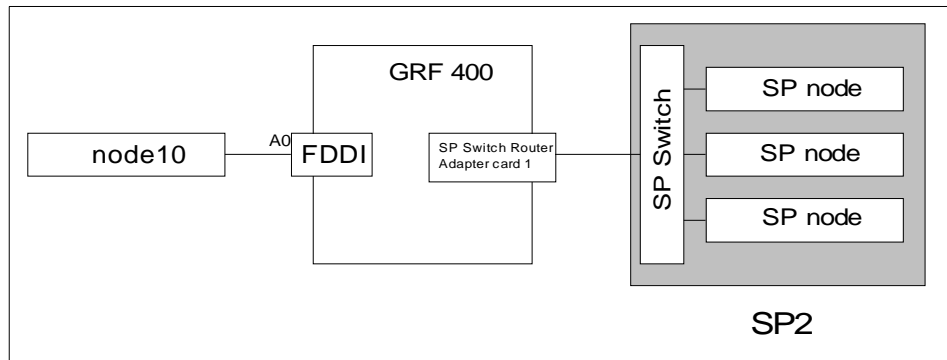


Figure 54. SP Switch - FDDI Connection

Table 15 shows the IP addresses used in our configuration.

Table 15. Configuration of an SP Switch - FDDI Connection

Adapter	IP Address
FDDI interface in node 10	10.2.1.1
SP Switch Router FDDI media card (port A0)	10.2.1.2
SP Switch Router Adapter card 1	192.168.13.4
SP processor nodes in SP2	192.168.13.1 - 192.168.13.15 (See Appendix A, "Laboratory Hardware and Software Configuration" on page 233.)

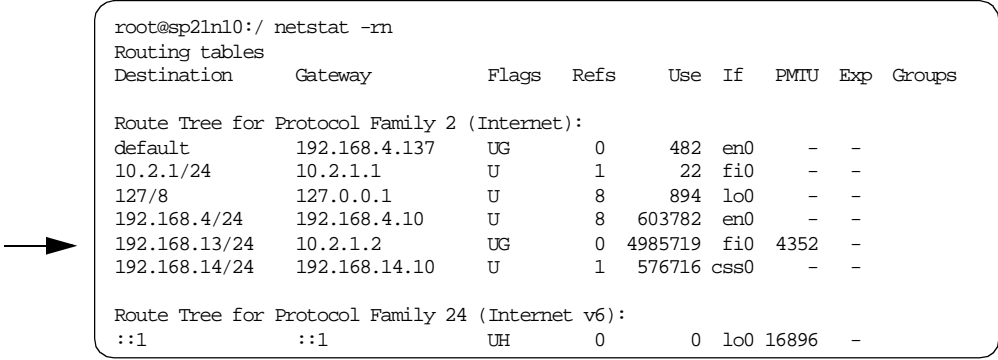
To successfully run this configuration, no routes need to be set on the SP Switch Router. Node 10 and the processor nodes in SP2 require attention,

though. To add the needed routing information and check for proper work, follow these steps:

1. On node 10 in SP21, add the following route to the switch network of SP2:

```
route add -net 192.168.13 -netmask 255.255.255.0 -mtu 4352 10.2.1.2
```

2. Check for correct routing entry:



```
root@sp21n10:/ netstat -rn
Routing tables
Destination      Gateway          Flags  Refs    Use  If    PMTU  Exp  Groups

Route Tree for Protocol Family 2 (Internet):
default          192.168.4.137   UG     0       482  en0   -    -
10.2.1/24        10.2.1.1        U      1       22   fi0   -    -
127/8            127.0.0.1       U      8       894  lo0   -    -
192.168.4/24     192.168.4.10    U      8       603782 en0   -    -
192.168.13/24   10.2.1.2        UG     0       4985719 fi0   4352 -
192.168.14/24   192.168.14.10   U      1       576716 css0  -    -

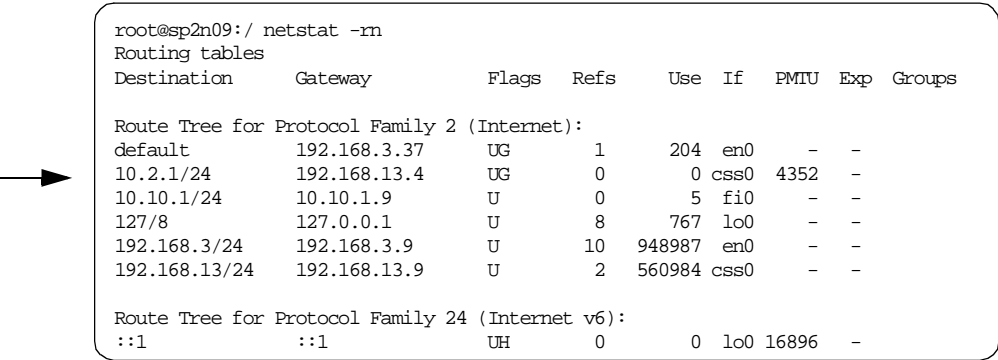
Route Tree for Protocol Family 24 (Internet v6):
::1              ::1              UH     0        0    lo0  16896 -
```

3. On the nodes in SP2 that are supposed to communicate with node 10 in SP21, add the following route:

```
route add -net 10.2.1 -netmask 255.255.255.0 -mtu 4352 192.168.13.4
```

The `-mtu` parameter is optional, but should be set to ensure optimal packet size on this route.

4. Check for correct routing entry:



```
root@sp2n09:/ netstat -rn
Routing tables
Destination      Gateway          Flags  Refs    Use  If    PMTU  Exp  Groups

Route Tree for Protocol Family 2 (Internet):
default          192.168.3.37    UG     1       204  en0   -    -
10.2.1/24        192.168.13.4    UG     0        0    css0  4352 -
10.10.1/24       10.10.1.9       U      0        5    fi0   -    -
127/8            127.0.0.1       U      8       767  lo0   -    -
192.168.3/24     192.168.3.9     U     10     948987 en0   -    -
192.168.13/24   192.168.13.9    U      2     560984 css0  -    -

Route Tree for Protocol Family 24 (Internet v6):
::1              ::1              UH     0        0    lo0  16896 -
```

5. On GRF 400 check `/etc/grifconfig.conf` for the following entry:

```
gfg000 10.2.1.2      255.255.255.0 -      mtu 4352
```

6. On the CWS of SP2 check if the SP Switch Router Adapter card is configured. See if the SP Switch Router Adapter card shows up green in perspectives or enter `SDRGetObjects switch_responds`. Use `Eunfence` if needed.
7. Issue some `ping` commands to check the connection:

On the chosen SP2 nodes, `ping` the FDDI interface of node 10 in SP21, for example:

```
root@sp2n09:/ ping 10.2.1.1
PING 10.2.1.1: (10.2.1.1): 56 data bytes
64 bytes from 10.2.1.1: icmp_seq=0 ttl=255 time=0 ms
64 bytes from 10.2.1.1: icmp_seq=1 ttl=255 time=0 ms
^C
----10.2.1.1 PING Statistics----
2 packets transmitted, 2 packets received, 0% packet loss
round-trip min/avg/max = 0/0/0 ms
```

On node 10 in SP21, `ping` the SP Switch interfaces of the chosen nodes in SP2, for example:

```
root@sp2ln10:/ ping 192.168.13.9
PING 192.168.13.9: (192.168.13.9): 56 data bytes
64 bytes from 192.168.13.9: icmp_seq=0 ttl=255 time=0 ms
64 bytes from 192.168.13.9: icmp_seq=1 ttl=255 time=0 ms
^C
----192.168.13.9 PING Statistics----
2 packets transmitted, 2 packets received, 0% packet loss
round-trip min/avg/max = 0/0/0 ms
```

If these `ping` commands fail, check routing settings again. If everything is as it should be, try to `ping` the SP Switch Router FDDI media card or the SP Switch Router Adapter card to ascertain the failing part:

```
ping 192.168.13.4 (on chosen processor nodes in SP2)
ping 10.2.1.2 (on node 10 in SP21)
```

If any errors occur, check cabling, the configuration of the SP Switch Router media cards (See Section 3.7, "Step-by-Step Media Card Configuration" on page 86 and Section 4.4, "FDDI Configuration" on page 121) and also the network adapters in the nodes.

Performance:

To get a rough overview of the data transfer rates that can be achieved in such a scenario, we performed the following tests:

1. We obtained of `tsock` program (a derivative of the public domain `ttcp` program developed by T.C. Slattery, USNA, improved by Mike Muuss,

BRL, and ported to AIX by Prof. Peter Haas, University of Stuttgart). tsock is a program that uses the UltraNet socket emulation library to perform numerous network exercises, among them to measure the pure network performance by eliminating any hard disk or processor load influence on the data transfer rate by sending data packets directly from memory to memory. We selected to send bursts of packets ranging from 1 byte to 50 kilobytes, as this might be a more realistic approach than just shifting large files around. In this scenario an average data transfer rate of about 12 MB/s was achieved which corresponds to the theoretical maximum data transfer rate of an FDDI connection (12.5 MB/s=100 Mb/s).

2. We used ftp to conduct several file transfers of a 300 MB file from different nodes in SP2. We sent this file to /dev/null on node 10 in SP21, to eliminate any hard disk influence on the receiver side:

```
root@sp2n09:/ ftp 10.2.1.1
Connected to 10.2.1.1.
220 sp21n10 FTP server (Version 4.1 Tue Mar 17 14:00:13 CST 1998) ready.
Name (10.2.1.1:root):
331 Password required for root.
Password:
230 User root logged in.
ftp> put bos.obj.ssp.itso /dev/null
200 PORT command successful.
150 Opening data connection for /dev/null.
226 Transfer complete.
299878400 bytes sent in 65.95 seconds (4441 Kbytes/s)
local: bos.obj.ssp.itso remote: /dev/null
ftp> quit
221 Goodbye.
root@sp2n09:/space
```

As can be seen in the screen shot, the slow internal SCSI disks of the nodes in SP2 would not allow the transfer rate to exceed 4.5 MB/s. So we decided to start four ftp programs on four different nodes in SP2. We expected these four file transfers to sum up to an aggregate throughput of about 18 MB/s over the net. This would be beyond the throughput of an FDDI adapter, so we expected to reach the limits of the FDDI adapter, either in the GRF or on node 10 in SP21.

With this scenario, we measured an average transfer rate of about 10-11 MB/s (observed with the freeware tool monitor from Jussi Maki). The limiting factor now was the CPU of node 10 in SP21, which was not able to handle more data simultaneously (100% busy, as seen with monitor).

5.1.3 SP Switch - ATM Connection

This scenario might be used quite often to attach a single computer with an ATM interface to the SP Switch of an SP system. This could, for example, be an RS/6000 model S70 acting as an ADSM server or as a database server in an SAP or BAAN environment. It could, as well, be a connection to another already existing ATM Switch.

Configuration assumptions:

- An SP Switch Router ATM media card has been installed according to Section 4.2, "ATM OC-3c Configuration" on page 110 and works properly.
- An SP Switch Router Adapter card has been installed according to Section 3.7, "Step-by-Step Media Card Configuration" on page 86 and works properly.
- The SP Switch Router Adapter card and SP processor node Switch adapters are in the same IP subnet.
- ARP should be enabled on the SP Switch network to provide the most flexibility in assigning IP Addresses (strongly recommended!).
- If ARP is disabled on the SP Switch network, the IP addresses assigned to the nodes must be determined by the Switch node numbers.

Note: The SP Switch Router Adapter card will not properly forward IP data to nodes assigned with an IP address that is in another subnet.

Configuration:

In this scenario, we chose an RS/6000 model F50 with a PCI ATM adapter card to be connected to an ATM port on an ATM OC-3c media card in the GRF 1600. The ATM interface of the F50 is connected to the GRF 1600 SP Switch Router ATM OC-3c media card's port 80. The GRF 1600 SP Switch Router Adapter card is attached to the SP Switch of SP21, as shown in Figure 55 on page 168 and Table 16 on page 168. The netmask for all interfaces is 255.255.255.0.

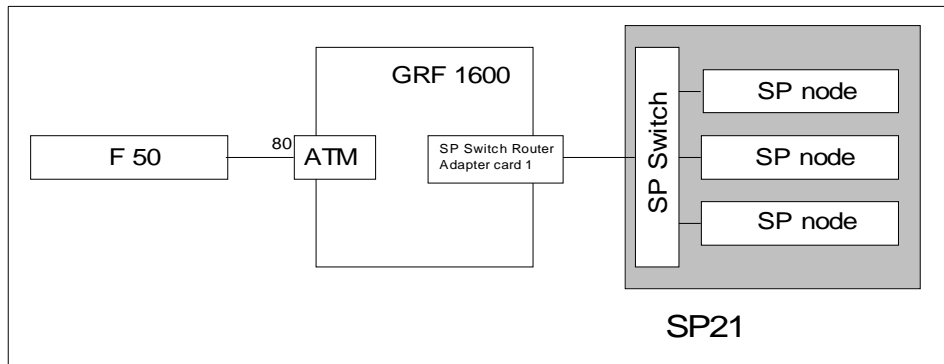


Figure 55. SP Switch - ATM Connection

Table 16 shows the IP addresses used in our configuration.

Table 16. Configuration of SP Switch - ATM Connection

Adapter	IP Address
ATM interface in F50 (at0 on atm0)	10.1.2.3
SP Switch Router ATM media card (port 80)	10.1.2.1
SP Switch Router Adapter card 1	192.168.14.4
SP processor nodes in SP21	192.168.14.1 - 192.168.14.15 (See Appendix A, "Laboratory Hardware and Software Configuration" on page 233.)

To successfully run this configuration, no routes need to be set on the SP Switch Router. The F50 and the processor nodes in SP21 require attention, though. To configure the ATM adapter in the F50, follow these steps:

1. On the F50, check that all the required software for ATM support is installed. There is no need for ATM LAN Emulation software support, though. If the ATM adapter is in the "available" state (check with `lsdev -C -c adapter`), you are probably fine.
2. To avoid any pitfalls, set the signaling protocol for the ATM adapter to UNI3.0, as this is the default for the GRF and was probably not changed in the file `/etc/gratm.conf` on the GRF. You can check and look for a line where `Signalling card=` is not commented with a #.

It escapes our understanding why we had to bother with this, anyhow, as we could not set up and use SVC between the F50 and the GRF, because

of the lack of an ARP server; signaling protocols should only matter with SVCs and not with PVCs.

3. On the F50, use `smitty chg_atm`, select the ATM device and change the field `SVC UNI Version` from `auto_detect` to `uni3.0`:

```
Change / Show Characteristics of an ATM Adapter

Type or select values in entry fields.
Press Enter AFTER making all desired changes.
[Entry Fields]
  ATM Adapter                atm0
  Description                 IBM PCI 155 Mbps ATM A>
  Status                      Available
  Location                    30-68
  Enable ALTERNATE ATM MAC address      no          +
  ALTERNATE ATM MAC address             [0x0]
  Software Transmit Queue size          [100]      +#
  Minimum Guaranteed VCs Supported     [32]      +#
  Maximum Number of VCs Needed         [1024]    +#
  SVC UNI Version                     uni3.0      +
  Minimum 4K-byte pre-mapped receive buffers [0x30]    +#
  Sonet or SDH interface               [0]      +#
  Provide SONET Clock                  [0]      +
```

4. Use `smitty mkinetat` to get to the "Add an "ATM Network Interface" menu and fill in the blanks, as follows:

```
Add an ATM Network Interface

Type or select values in entry fields.
Press Enter AFTER making all desired changes.

                                [Entry Fields]
* INTERNET ADDRESS (dotted decimal) [10.1.2.3]
Network MASK (hexadecimal or dotted decimal) [255.255.255.0]
Network Interface                       [at0]
Connection Type                          pvc          +
ATM Server Address                       []
Alternate Device                         []
Idle Timer                               []
Best Effort Bit Rate (UBR) in Kbits/sec [155000]
* ACTIVATE the Interface after Creating it? yes          +
```

You may leave the `Network Interface` field blank, as `at0` is the default interface on the device `atm0`, but you must change the `Connection type` from `svc_s` to `pvc`. As stated, we had no ARP server available, which is a prerequisite for any SVC type connection. Consider a PVC to be a permanent point-to-point connection; we will have to give the identification of the partner in the next SMIT screen.

5. Have smitty carry out its work, exit smitty and then run smitty mkatmpvc:

```
Add a PVC for IP over an ATM Network

Type or select values in entry fields.
Press Enter AFTER making all desired changes.

                                [Entry Fields]
PVC Description (Optional)      [F50toGRF]
* VPI:VCI                       [0:134]
Network Interface               [at0]
Destination IP Address          []
Automatically Discover Destination IP Address  yes      +
LLC Encapsulation               yes      +
```

In the optional PVC Description field, do not use blanks or underscores. In the VPI:VCI field, use the numbers you get from the PVC statement in the /etc/gratm.conf file on the GRF 1600. For your convenience, the relevant line is shown here again:

```
PVC ga0180 0/134 proto=ip traffic_shape=high_speed_high_quality
```

Note: Be very careful about the different naming conventions on the GRF and on AIX! Whereas the numbers are separated by a slash (/) in /etc/gratm.conf, you must use a colon (:) to separate them in SMIT!

Because we give the VPI:VCI numbers of the GRF ATM port and leave the field Automatically Discover Destination IP Address on its yes default, there is no need to fill in the Destination IP Address.

After smitty is done, you should be able to ping the at0 interface on the F50:

```
(0)f50:/ 14$ ping 10.1.2.3
PING 10.1.2.3: (10.1.2.3): 56 data bytes
64 bytes from 10.1.2.3: icmp_seq=0 ttl=255 time=13 ms
64 bytes from 10.1.2.3: icmp_seq=1 ttl=255 time=0 ms
64 bytes from 10.1.2.3: icmp_seq=3 ttl=255 time=0 ms
^C
----10.1.2.3 PING Statistics----
3 packets transmitted, 3 packets received, 0% packet loss
round-trip min/avg/max = 0/3/13 ms
(0)f50:/ 15$
```

You should also be able to ping the ga0180 port of the GRF:

```
(0)f50:/ 15$ ping 10.1.2.1
PING 10.1.2.1: (10.1.2.1): 56 data bytes
64 bytes from 10.1.2.1: icmp_seq=0 ttl=255 time=0 ms
64 bytes from 10.1.2.1: icmp_seq=1 ttl=255 time=0 ms
64 bytes from 10.1.2.1: icmp_seq=2 ttl=255 time=0 ms
^C
----10.1.2.1 PING Statistics----
3 packets transmitted, 3 packets received, 0% packet loss
round-trip min/avg/max = 0/0/0 ms
(0)f50:/ 16$
```

To add the needed routing information, follow these steps:

1. On the F50, add the following route to the nodes in SP21:

```
route add -net 192.168.14 -netmask 255.255.255.0 -mtu 9180 10.1.2.1
```

2. Check for correct routing entry:

```
(0)f50:/ 26$ netstat -rn
Routing tables
Destination      Gateway          Flags    Refs      Use  If  PMTU  Exp  Groups

Route Tree for Protocol Family 2 (Internet):
default          9.12.1.30       UG        3       3043  tr0  -    -
9.12.1/24        9.12.1.50       U         41      34248  tr0  -    -
10.1.2/24        10.1.2.3        U         2         41    at0  -    -
127/8            127.0.0.1       U         5         315   lo0  -    -
192.168.14/24    10.1.2.1        UG        0    4558293  at0  9180  -

Route Tree for Protocol Family 24 (Internet v6):
::1              ::1             UH         0          0   lo0  16896  -
(0)f50:/ 27$
```

3. On the nodes in SP21 that are supposed to communicate with the F50, add the following route:

```
route add -net 10.1.2 -netmask 255.255.255.0 -mtu 9180 192.168.14.4
```

4. Check for correct routing entry:

```

root@sp2ln01:/ netstat -rn
Routing tables
Destination      Gateway          Flags  Refs      Use  If  PMTU  Exp  Groups

Route Tree for Protocol Family 2 (Internet):
default          192.168.4.137   UG      1       7410  en0   -   -
10.1.2/24        192.168.14.4    UG      0  3449576  css0  9180  -
127/8            127.0.0.1       U        8        757  lo0   -   -
192.168.4/24     192.168.4.1     U       13  1132000  en0   -   -
192.168.13/24   192.168.14.4    UG      1  13501009  css0  9180  -
192.168.14/24   192.168.14.1    U        8    618178  css0   -   -

Route Tree for Protocol Family 24 (Internet v6):
::1              ::1              UH      0         0  lo0  16896  -
root@sp2ln01:/

```

The `-mtu` parameter is optional but should be set to ensure optimal packet size on this route.

5. Issue some `ping` commands to check the connection:

On the F50, `ping` the SP Switch interface of a chosen node in SP21:

```

(0)f50:/ 29$ ping 192.168.14.1
PING 192.168.14.1: (192.168.14.1): 56 data bytes
64 bytes from 192.168.14.1: icmp_seq=0 ttl=254 time=0 ms
64 bytes from 192.168.14.1: icmp_seq=1 ttl=254 time=0 ms
64 bytes from 192.168.14.1: icmp_seq=2 ttl=254 time=0 ms
^C
----192.168.14.1 PING Statistics----
3 packets transmitted, 3 packets received, 0% packet loss
round-trip min/avg/max = 0/0/0 ms
(0)f50:/ 30$

```

On the chosen nodes in SP21, `ping` the ATM interface of the F50:

```

root@sp2ln01:/ ping f50
PING f50: (10.1.2.3): 56 data bytes
64 bytes from 10.1.2.3: icmp_seq=0 ttl=254 time=1 ms
64 bytes from 10.1.2.3: icmp_seq=1 ttl=254 time=0 ms
64 bytes from 10.1.2.3: icmp_seq=2 ttl=254 time=0 ms
^C
----f50 PING Statistics----
3 packets transmitted, 3 packets received, 0% packet loss
round-trip min/avg/max = 0/0/1 ms
root@sp2ln01:/

```

If these ping commands fail, check routing settings again. If everything is as it should be, try to ping the SP Switch Router ATM media card or the SP Switch Router Adapter card to which part is failing:

```
ping 192.168.14.4 (on chosen SP21 processor nodes)
ping 10.1.2.1 (on F50)
```

If any errors occur, check cabling, the configuration of SP Switch Router media cards (See Section 3.7, "Step-by-Step Media Card Configuration" on page 86 and Section 4.2, "ATM OC-3c Configuration" on page 110) and network adapters in the F50 and the SP nodes.

Performance:

To get a rough overview of the data transfer rates that can be achieved in this scenario, the following tests were performed:

1. Again we used tsock to get the performance figures for a mix of packets ranging from 1 byte to 50 kilobytes. This time an average data transfer rate of about 13.5 MB/s was achieved, which corresponds well enough to the theoretical maximum data transfer rate of an ATM connection (17.5 MB/s=155 Mb/s).
2. We used ftp to conduct several file transfers of a 300 MB file from the F50 to the chosen nodes in SP21. We sent this file to /dev/null on the SP21 nodes to eliminate any hard disk influence on the receiver side:

```
(0)f50:/itso/space 32$ ftp 192.168.14.1
Connected to 192.168.14.1.
220 sp21n01 FTP server (Version 4.1 Tue Mar 17 14:00:13 CST 1998) ready.
Name (192.168.14.1:root): root
331 Password required for root.
Password:
230 User root logged in.
ftp> bin
200 Type set to I.
ftp> put bos.obj.ssp.itso /dev/null
200 PORT command successful.
150 Opening data connection for /dev/null.
226 Transfer complete.
299878400 bytes sent in 31.05 seconds (9431 Kbytes/s)
local: bos.obj.ssp.itso remote: /dev/null
ftp> quit
221 Goodbye.
(0)f50:/itso/space 33$
```

As you see in the screen shot, although the F50 has very fast disks attached, they still limit the file transfer rate to 9.4 MB/s. So we decided to start two ftp programs on the F50 in parallel. This way we could increase the throughput of the ATM adapter to about 16.5 MB/s, with the F50 being about 50% busy (all data again observed with the freeware tool monitor).

An ATM adapter establishes a duplex connection to its partner, so the 16.5 MB/s write throughput should be accompanied by another 16.5 MB/s read throughput. To prove this, we started two ftp put commands from the same SP21 node. At the same time we started two ftp put commands on the F50 and observed an aggregate throughput over the ATM adapter of up to 28 MB/s, with the CPU of the SP node nearly 80% busy and the F50 100% busy.

5.1.4 SP Switch - FDDI Connection (Distinct FDDI Networks)

5.1.4.1 SP Switch - FDDI Connection without Bridging

This scenario is rather similar to the one described in Section 5.1.2, "SP Switch - FDDI Connection" on page 162 and is quite often met in customer environments. It might be used to connect four different FDDI backbones to a SP Switch, for instance in an ADSM environment.

Configuration assumptions:

- An SP Switch Router FDDI media card has been installed according to Section 4.4, "FDDI Configuration" on page 121 and works properly.
- An SP Switch Router Adapter card has been installed according to Section 3.7, "Step-by-Step Media Card Configuration" on page 86 and works properly.
- The SP Switch Router Adapter card and SP processor node Switch adapters are in the same IP subnet.
- ARP should be enabled on the SP Switch network to provide the most flexibility in assigning IP Addresses (strongly recommended!).
- If ARP is disabled on the SP Switch network, the IP addresses assigned to the nodes must be determined by the Switch node numbers. Refer to *PSSP Planning, Volume 2, Control Workstation and Software Environment* for details.

Note: The SP Switch Router Adapter card will not properly forward IP data to nodes assigned with an IP address that is in another subnet.

Configuration:

To establish this scenario, the FDDI interfaces of node 9, node 10, node 11 and node 12 in SP2 were connected to the SP Switch Router FDDI media card's port B1, port A1, port B0 and port A0, respectively. (This "weird" connection had to be chosen because of limited cable length in our lab environment . Any other cabling might be used.). The SP Switch Router Adapter card is attached to the SP Switch of SP21, as shown in Figure 56 on

page 175 and Table 17 on page 175. The netmask for all interfaces is 255.255.255.0.

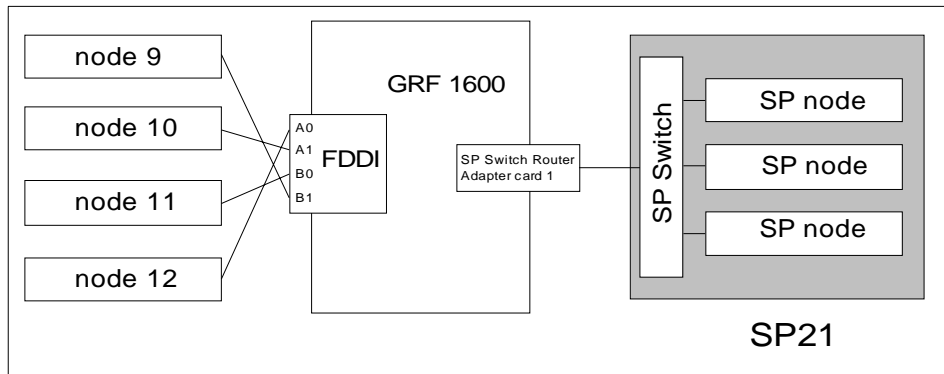


Figure 56. SP Switch - FDDI Connection

Table 17 shows the IP addresses used in our configuration.

Table 17. Configuration of SP Switch - FDDI Connection

Adapter	IP Address
FDDI interface in node 9	10.5.1.9
FDDI interface in node 10	10.3.1.10
FDDI interface in node 11	10.4.1.11
FDDI interface in node 12	10.2.1.12
SP Switch Router FDDI media card (port A0)	10.2.1.15
SP Switch Router FDDI media card (port A1)	10.3.1.16
SP Switch Router FDDI media card (port B0)	10.4.1.17
SP Switch Router FDDI media card (port B1)	10.5.1.18
SP Switch Router Adapter card 1	192.168.14.4
SP processor nodes in SP21	192.168.14.1 - 192.168.14.15 (See Appendix A, "Laboratory Hardware and Software Configuration" on page 233.)

To successfully run this configuration, all four ports of the SP Switch Router FDDI media card have to be assigned IP addresses in different subnets. Otherwise, only port A0 will be activated.

Note: Every port of the SP Switch Router FDDI media card has to be assigned to a different subnet when bridging is not configured (see Section 5.1.4.2, “SP Switch - FDDI Connection with Bridging” on page 179).

In this sample configuration no routes need to be set on the SP Switch Router. Node 9-12 on SP2 and the processor nodes in SP21 require attention, though. To add the needed routing information, follow these steps:

1. On all four nodes in SP2 with an FDDI interface, add the route to the SP Switch network of SP21:
 - On node 9 in SP2, add this route:

```
route add -net 192.168.14 -netmask 255.255.255.0 -mtu 4352 10.5.1.18
```
 - On node 10 in SP2, add this route:

```
route add -net 192.168.14 -netmask 255.255.255.0 -mtu 4352 10.3.1.16
```
 - On node 11 in SP2, add this route:

```
route add -net 192.168.14 -netmask 255.255.255.0 -mtu 4352 10.4.1.17
```
 - On node 12 in SP2, add this route:

```
route add -net 192.168.14 -netmask 255.255.255.0 -mtu 4352 10.2.1.15
```
2. Check for correct routing entries on all four nodes, for example:

```
root@sp2n09:~# netstat -m
Routing tables
Destination      Gateway          Flags   Refs      Use If        PMTU  Exp  Groups
-----
Route Tree for Protocol Family 2 (Internet):
default          192.168.3.37    UG      0         390 en0        -    -
10.5.1/24        10.5.1.9        U       1          2 fi0        -    -
127/8            127.0.0.1       U       8         906 lo0        -    -
192.168.3/24     192.168.3.9    U       9        85376 en0        -    -
192.168.13/24   192.168.13.9   U       2       731853 css0       -    -
192.168.14/24   10.5.1.18       UG      0    10460318 fi0       4352  -

Route Tree for Protocol Family 24 (Internet v6):
::1              ::1             UH      0          0 lo0       16896  -
```

- On the nodes in SP21 that are supposed to communicate with the different FDDI backbones, add the necessary routes:

```

route add -net 10.2.1 -netmask 255.255.255.0 -mtu 4352 192.168.14.4
route add -net 10.3.1 -netmask 255.255.255.0 -mtu 4352 192.168.14.4
route add -net 10.4.1 -netmask 255.255.255.0 -mtu 4352 192.168.14.4
route add -net 10.5.1 -netmask 255.255.255.0 -mtu 4352 192.168.14.4

```

The `-mtu` parameter is optional but should be set to ensure optimal packet size on this route.

- Check for correct routing entries, for example:

```

root@sp21n01:/ netstat -rn
Routing tables
Destination      Gateway          Flags  Refs    Use  If    PMTU  Exp  Groups

Route Tree for Protocol Family 2 (Internet):
default          192.168.4.137   UG      1    76666  en0    -    -
10.2.1/24        192.168.14.4    UG      0   7407273  css0  4352  -
10.3.1/24        192.168.14.4    UG      0   1413386  css0  4352  -
10.4.1/24        192.168.14.4    UG      0   1083727  css0  4352  -
10.5.1/24        192.168.14.4    UG      0   5046891  css0  4352  -
127/8            127.0.0.1       U        8      399  lo0    -    -
192.168.4/24     192.168.4.1     U        7   534581  en0    -    -
192.168.14/24    192.168.14.1    U        5   110190  css0   -    -

Route Tree for Protocol Family 24 (Internet v6):
::1              ::1              UH       0         0  lo0  16896  -

```

- On GRF 1600, check `/etc/grifconfig.conf` for the following entries:

```

gf000  10.2.1.15      255.255.255.0  -      mtu 4352
gf001  10.3.1.16      255.255.255.0  -      mtu 4352
gf002  10.4.1.17      255.255.255.0  -      mtu 4352
gf003  10.5.1.18      255.255.255.0  -      mtu 4352

```

- On GRF 1600, check whether all four port interfaces are created successfully. Use `netstat -in` and look for lines starting with `gf000`, `gf001`, `gf002` or `gf003`. They must not have an asterisk beside the interface name. If only `gf000` appears, examine if all IP addresses assigned to the four FDDI ports really from different subnets and change IP addresses or network masks, if necessary.

```

/root netstat -in
Name      Mtu    Network      Address          Ipkts Ierrs   Opkts Oerrs   Coll
de0       1500   <link1>      00:c0:80:96:38:68 10290  0       42228  0       182
de0       1500   <Bridge>     00:c0:80:96:38:68 10290  0       42228  0       182
de0       1500   192.168.4   192.168.4.4     10290  0       42228  0       182
rmb0      616    <link2>      00:00:00:00:00:00 170556 74      41439  0       0
rmb0      616    <GRIT>       0:0x40:0        170556 74      41439  0       0
lo0       1536   <link3>      127.0.0.1       8387   0       8387   0       0
lo0       1536   127         127.0.0.1       8387   0       8387   0       0
lo0       1536   <GRIT>       0:0x48:0        8387   0       8387   0       0
gf000     4352   <link10>     00:c0:80:89:2d:f2 19      0       20      0       0
gf000     4352   10.2.1/24   10.2.1.15       19      0       20      0       0
gf001     4352   <link20>     00:c0:80:89:2d:f3 12      0       12      0       0
gf001     4352   10.3.1/24   10.3.1.16       12      0       12      0       0
gf002     4352   <link11>     00:c0:80:89:2d:f4 13      0       13      0       0
gf002     4352   10.4.1/24   10.4.1.17       13      0       13      0       0
gf003     4352   <link12>     00:c0:80:89:2d:f5 13      0       19      0       0
gf003     4352   10.5.1/24   10.5.1.18       13      0       19      0       0

```

7. On the CWS of SP21, check if the SP Switch Router Adapter card is configured. To perform this check, look if the SP Switch Router Adapter card shows up green in perspectives or enter `SDRGetObjects switch_responds`. Use `Eunfence` if needed.

8. Issue some `ping` commands to check the connection:

On the chosen SP21 nodes, `ping` all four FDDI interfaces of the nodes in SP2, for example:

```

root@sp21n01:/ ping 10.2.1.12
PING 10.2.1.12: (10.2.1.12): 56 data bytes
64 bytes from 10.2.1.12: icmp_seq=0 ttl=254 time=10 ms
64 bytes from 10.2.1.12: icmp_seq=1 ttl=254 time=1 ms
^C
----10.2.1.12 PING Statistics----
2 packets transmitted, 2 packets received, 0% packet loss
round-trip min/avg/max = 1/5/10 ms

```

On node 9-12 in SP2, `ping` the SP Switch interfaces of the chosen nodes in SP21, for example:

```

root@sp2n12:/ ping 192.168.14.1
PING 192.168.14.1: (192.168.14.1): 56 data bytes
64 bytes from 192.168.14.1: icmp_seq=0 ttl=254 time=1 ms
64 bytes from 192.168.14.1: icmp_seq=1 ttl=254 time=1 ms
^C
----192.168.14.1 PING Statistics----
2 packets transmitted, 2 packets received, 0% packet loss
round-trip min/avg/max = 1/1/1 ms

```

If these ping commands fail, check routing settings and IP address assignment again. If everything is as it should be, try to ping the GRF FDDI media card ports or the GRF SP Switch media card to find the failing part:

```
ping 10.2.1.15 (on node 12in SP2)
ping 10.3.1.16 (on node 10 in SP2)
ping 10.4.1.17 (on node 11 in SP2)
ping 10.5.1.18 (on node 9 in SP2)
ping 192.168.14.4 (on nodes in SP21)
```

If any errors occur, check cabling, the configuration of the SP Switch Router media cards (See Section 3.7, "Step-by-Step Media Card Configuration" on page 86 and Section 4.4, "FDDI Configuration" on page 121) and also the network adapters in the SP nodes.

Performance:

To get a rough overview of the data transfer rates that can be achieved in such a scenario, the following test was performed:

We used ftp to transfer several 300 MB large files from different nodes in SP21 to the four FDDI equipped nodes in SP2 and vice versa. We sent these files to /dev/null to eliminate any hard disk influence on the receiver side.

The slow internal SCSI disks in two of our four nodes in SP2 would not allow the transfer rate to exceed 4.5 MB/s. Both remaining nodes in SP2 contain faster SSA hard disks that allowed a transfer rate of 7.5 MB/s. Nevertheless, this would not be enough to exceed the FDDI bandwidth. So we decided to start several ftp programs on nodes in SP2 and SP21 to sum up the transfer rates.

With this scenario, we measured a cumulative transfer rate of up to 44 MB/s (observed with the freeware tool monitor) that is close to the maximum theoretical transfer rate of $4 \times 12.5 \text{ MB/s} = 50 \text{ MB/s}$. Every node FDDI interface yielded an overall transfer rate of about 11 MB/s (sending and receiving). The limiting factor once again was the CPU on each of the four nodes that was not able to handle more data simultaneously (100% busy, as seen with monitor).

5.1.4.2 SP Switch - FDDI Connection with Bridging

This scenario corresponds closely to the one described in Section 5.1.4.1, "SP Switch - FDDI Connection without Bridging" on page 174. It might be used to transparently connect four physically separated FDDI backbones to one large LAN that is connected to the SP Switch.

Configuration assumptions:

- An SP Switch Router FDDI media card has been installed according to Section 4.4, "FDDI Configuration" on page 121 and works properly.
- The SP Switch Router Adapter card has been installed according to Section 3.7, "Step-by-Step Media Card Configuration" on page 86, and works properly.
- The SP Switch Router Adapter card and SP processor node Switch adapters are in the same IP subnet.
- ARP should be enabled on the SP Switch network to provide the most flexibility in assigning IP Addresses (strongly recommended!).
- If ARP is disabled on the SP Switch network, the IP addresses assigned to the nodes must be determined by the Switch node numbers.

Note: The SP Switch Router Adapter card will not properly forward IP data to nodes assigned with an IP address that is in another subnet.

Configuration:

To build this scenario, the FDDI interfaces of node 9, node 10, node 11 and node 12 in SP2 is connected to the SP Switch Router FDDI media card's port B1, port A1, port B0 and port A0, respectively. The SP Switch Router Adapter card is attached to the SP Switch of SP21, as shown in Figure 57 and Table 18 on page 181. The netmask for all interfaces is 255.255.255.0.

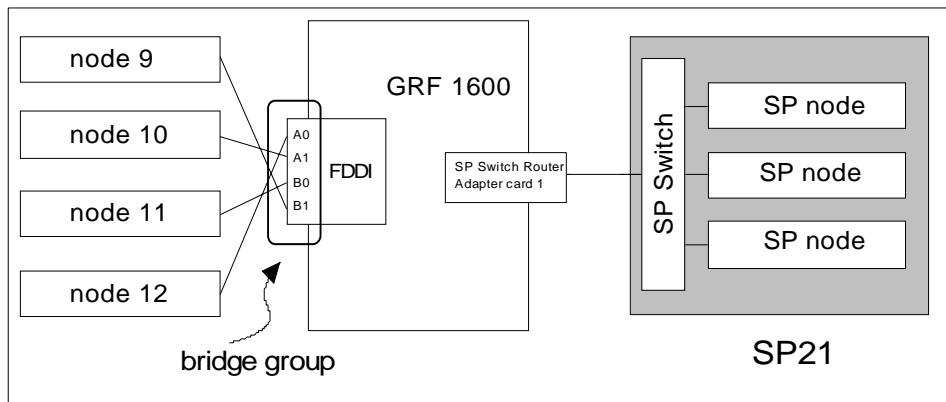


Figure 57. SP Switch - FDDI Connection (Bridging)

Table 18 shows the IP addresses used in our configuration.

Table 18. Configuration of SP Switch - FDDI Connection (Bridging)

Adapter	IP Address
FDDI interface in node 9	10.10.1.9
FDDI interface in node 10	10.10.1.10
FDDI interface in node 11	10.10.1.11
FDDI interface in node 12	10.10.1.12
Bridge Group bg0	10.10.1.13
SP Switch Router Adapter card 1	192.168.14.4
SP processor nodes in SP21	192.168.14.1 - 192.168.14.15 (See Appendix A, "Laboratory Hardware and Software Configuration" on page 233.)

To successfully run this configuration, make sure that all four different FDDI backbones are logically located in one subnet. Otherwise, bridging does not work and routing has to be used. Nevertheless, the GRF simultaneously supports routing and bridging which means that an interface included in a bridge group is able to handle bridge layer-2 frames and route layer-3 packets simultaneously. For details, refer to Section 4.6, "Configuring Bridging" on page 142.

Note: All FDDI backbones have to be logically located in a single IP subnet for proper bridging. The GRF supports simultaneous routing and bridging over one interface.

In this sample configuration, no routes need to be set on the SP Switch Router. Node 9-12 on SP2 and the processor nodes in SP21 require attention, though. Additionally, the bridge group has to be configured. To perform this configuration, follow these steps:

1. Configure the bridge group on the GRF 1600.
 - Define the bridge group:
Open the file `/etc/bridged.conf` with `bredit` or `vi`. If `/etc/bridged.conf` does not exist, a new file can be created or the `/etc/bridged.conf.template` can be renamed to `/etc/bridged.conf`. Enter the necessary bridge group information:

```
bridge_group bg0 {
port gf000 gf001 gf002 gf003;
};
```

This is the simplest bridge definition that worked in our scenario. Many additional parameters can be set. See Section 4.6.9.3, “Editing Utility – Bredit” on page 146 for further details.

- Assign an IP address:

Open `/etc/grifconfig.conf`. Comment out all former FDDI interface definitions by inserting a `#` at the beginning of the respective lines. Define the new bridge group and assign an IP address that is in the same subnet as all four FDDI backbones:

```
bg0 10.10.1.13 255.255.255.0 - mtu 4352
```

Save `/etc/grifconfig.conf`. Issue `grwrite -v` to make the changes permanent. Reboot the GRF.

Note: According to *GRF Configuration Guide 1.4, GA22-7366*, just `grconfig` or `grreset <slot_number>` should completely disable the now commented FDDI interfaces and enable the bridge setting. In the current Ascend Embedded/OS Version 1.4.6.4, this *does not work* (maybe in later releases). The new bridge settings are enabled but the commented interface definitions are not removed from the kernel. In this case, you will receive error messages because the bridge daemon cannot add the interfaces to the bridge group as long as IP addresses are assigned to them. Therefore, `reboot -i` is needed.

2. Check for correct bridge interface creation on GRF 1600:

```
grf16:/root netstat -in
```

Name	Mtu	Network	Address	Ipkts	Ierrs	Opkts	Oerrs	Coll
rmb0	616	<link2>	00:00:00:00:00:00	9643	1	9487	0	0
rmb0	616	<GRIT>	0:0x40:0	9643	1	9487	0	0
lo0	1536	<link3>		8271	0	8271	0	0
lo0	1536	127	127.0.0.1	8271	0	8271	0	0
lo0	1536	<GRIT>	0:0x48:0	8271	0	8271	0	0
bg0	4352	<link37>		0	0	0	0	0
bg0	4352	<Bridge>	00:c0:80:89:2d:f2	0	0	0	0	0
bg0	4352	10.10.1/24	10.10.1.13	0	0	0	0	0
gf000	4352	<link10>	00:c0:80:89:2d:f2	0	0	210	0	0
gf000	4352	<Bridge>	00:c0:80:89:2d:f2	0	0	210	0	0
gf001	4352	<link20>	00:c0:80:89:2d:f3	0	0	209	0	0
gf001	4352	<Bridge>	00:c0:80:89:2d:f3	0	0	209	0	0
gf002	4352	<link11>	00:c0:80:89:2d:f4	0	0	209	0	0
gf002	4352	<Bridge>	00:c0:80:89:2d:f4	0	0	209	0	0
gf003	4352	<link12>	00:c0:80:89:2d:f5	0	0	209	0	0
gf003	4352	<Bridge>	00:c0:80:89:2d:f5	0	0	209	0	0

3. Add the route to the Switch network of SP21 on all four nodes of SP2 with an FDDI interface.

On node 9-12 in SP2, add the following route:

```
route add -net 192.168.14 -netmask 255.255.255.0 -mtu 4352 10.10.1.13
```

4. Check for correct routing entries on all four nodes, for example:

```

root@sp2n09:/ netstat -rn
Routing tables
Destination      Gateway          Flags  Refs    Use  If    PMTU  Exp  Groups

Route Tree for Protocol Family 2 (Internet):
default          192.168.3.37    UG     1       212  en0   -    -
10.10.1/24       10.10.1.9       U      1       189  fi0   -    -
127/8            127.0.0.1       U      8       444  lo0   -    -
192.168.3/24     192.168.3.9     U      8      232781 en0   -    -
192.168.13/24    192.168.13.9    U      1     169010 css0  -    -
192.168.14/24    10.10.1.13      UG     0         0  fi0   4352  -

Route Tree for Protocol Family 24 (Internet v6):
::1              ::1              UH     0         0  lo0  16896  -

```

5. On the nodes in SP21 that are supposed to communicate with the four different FDDI backbones (that are logically only one LAN), add the necessary route:

```
route add -net 10.10.1 -netmask 255.255.255.0 -mtu 4352 192.168.14.4
```

The -mtu parameter is optional but should be set to ensure optimal packet size on this route.

6. Check for correct routing entries, for example:

```

root@sp2ln01:/ netstat -rn
Routing tables
Destination      Gateway          Flags  Refs    Use  If    PMTU  Exp  Groups

Route Tree for Protocol Family 2 (Internet):
default          192.168.4.137   UG     0       515  en0   -    -
10.1.1/24        192.168.14.4    UG     0         65  css0  -    -
10.10.1/24       192.168.14.4    UG     0         0  css0  4352  -
10.50.1/24       192.168.14.4    UG     0         37  css0  -    -
127/8            127.0.0.1       U      8       446  lo0   -    -
192.168.4/24     192.168.4.1     U      9     229977 en0   -    -
192.168.13/24    192.168.14.4    UG     1     512857 css0  65280 -
192.168.14/24    192.168.14.1    U      5     176327 css0  -    -

Route Tree for Protocol Family 24 (Internet v6):
::1              ::1              UH     0         0  lo0  16896  -

```

7. On the CWS of SP21, check if the SP Switch Router Adapter card is configured. To perform this check, look if the SP Switch Router Adapter card shows up green in perspectives or enter `SDRGetObjects switch_responds`. Use `Eunfence` if needed.
8. Issue some `ping` commands to check the connection:

On the chosen SP21 nodes, `ping` all four FDDI interfaces of nodes in SP2, for example:

```
root@sp21n01:/ ping 10.10.1.9
PING 10.10.1.9: (10.10.1.9): 56 data bytes
64 bytes from 10.10.1.9: icmp_seq=0 ttl=254 time=2 ms
64 bytes from 10.10.1.9: icmp_seq=1 ttl=254 time=1 ms
^C
----10.10.1.9 PING Statistics----
2 packets transmitted, 2 packets received, 0% packet loss
round-trip min/avg/max = 1/1/2 ms
```

On node 9-12 in SP2, `ping` the SP Switch interfaces of the chosen nodes in SP21, for example:

```
root@sp2n12:/ ping 192.168.14.1
PING 192.168.14.1: (192.168.14.1): 56 data bytes
64 bytes from 192.168.14.1: icmp_seq=0 ttl=254 time=1 ms
64 bytes from 192.168.14.1: icmp_seq=1 ttl=254 time=1 ms
^C
----192.168.14.1 PING Statistics----
2 packets transmitted, 2 packets received, 0% packet loss
round-trip min/avg/max = 1/1/1 ms
```

If these `ping` commands fail, check routing settings, bridging settings and IP address assignment again. If everything is as it should be, try to `ping` the bridge group and the SP Switch Router media card to find the failing part:

```
ping 10.10.1.13 (on nodes 9-12 in SP2)
ping 192.168.14.4 (on nodes in SP21)
```

If any errors occur, check cabling, the configuration of SP the Switch Router media cards (See Section 3.7, “Step-by-Step Media Card Configuration” on page 86 and Section 4.4, “FDDI Configuration” on page 121) and also the network adapters in the nodes.

Performance:

To get a rough overview of the data transfer rates that can be achieved in such a bridging scenario, we again used `ftp` to transfer several 300 MB files from different nodes in SP21 to the four FDDI-equipped nodes in SP2 and

vice versa. We sent these files to /dev/null to eliminate any hard disk influence on the receiver side.

The hardware requisites for this test are the same as described in Section 5.1.4.1, "SP Switch - FDDI Connection without Bridging" on page 174. The slow internal SCSI disks in two of our four nodes in SP2 would not allow the transfer rate to exceed 4.5 MB/s. Both remaining nodes in SP2 contain faster SSA hard disks that allow a transfer rate of 7.5 MB/s. Nevertheless, the overall achievable data transfer rate will not exceed the bandwidth of the FDDI connection. So we decided to start several ftp programs on nodes in SP2 and SP21 to sum up the transfer rates.

With this scenario, we again measured a cumulative transfer rate of up to 44 MB/s (observed with the freeware tool monitor) that is close to the maximum theoretical transfer rate of $4 \times 12.5 \text{ MB/s} = 50 \text{ MB/s}$. Every node's FDDI interface contributed an overall transfer rate of about 11 MB/s (sending and receiving). The limiting factor once again was the CPU on the four nodes in SP2 that was not able to handle more data simultaneously (100% busy, as seen with monitor). We could not find any significant influence of bridging on the measured data transfer rate.

5.1.5 SP Switch - FDDI Connection in an ADSM Environment

To get a view into a "real world" scenario and to check corresponding performance data, we established a simple ADSM environment. Four nodes in SP2 with FDDI interfaces stand for four FDDI backbones in a possible customer environment. These backbones send ADSM data via SP Switch Router to an ADSM server (see Figure 58). ADSM version 3.1.20 was installed.

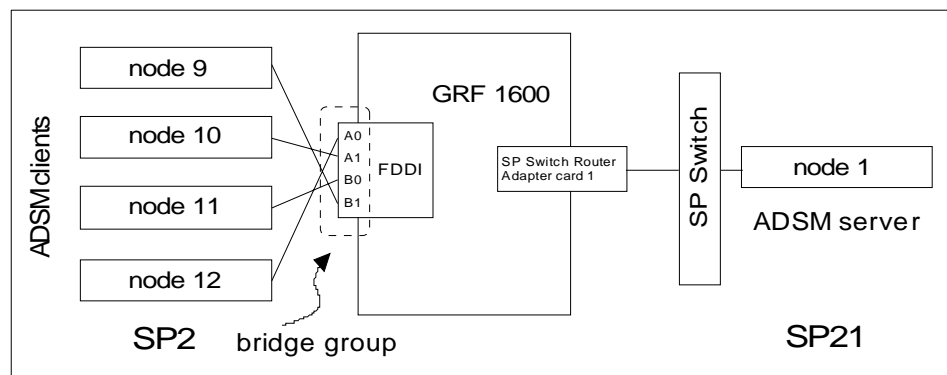


Figure 58. SP Switch Router in an ADSM Environment

Configuration assumptions:

- The SP Switch Router FDDI media card has been installed according to Section 4.4, “FDDI Configuration” on page 121, and works properly.
- The SP Switch Router Adapter card has been installed according to Section 3.7, “Step-by-Step Media Card Configuration” on page 86, and works properly.
- The SP Switch Router Adapter card and SP processor node Switch adapters are in the same IP subnet.
- ARP should be enabled on the SP Switch network to provide the most flexibility in assigning IP Addresses (strongly recommended!).
- If ARP is disabled on the SP Switch network, the IP addresses assigned to the nodes must be determined by the switch node numbers.

Note: The SP Switch Router Adapter card will not properly forward IP data to nodes assigned with an IP address that is in another subnet.

- The ADSM server is installed on node1 in SP21; ADSM clients are installed on Nodes 9-12 in SP2.

Configuration:

The configuration of this scenario is exactly as described in Section 5.1.4.2, “SP Switch - FDDI Connection with Bridging” on page 179. Just one additional step has to be carried out, as follows:

1. Open `/usr/lpp/adsm/bin/dsm.sys`.
2. Change the parameter `TCPServeraddress` to the IP address of the Switch interface of node 1:

```
TCPServeraddress 192.168.14.1
```

Performance:

To get a rough overview of the data transfer rates that can be achieved during an ADSM backup session in our configuration, we started an incremental backup of a filesystem that contained a 300 MB file on nodes 9-12 in SP2.

We measured a transfer rate of up to 7 MB/s one ADSM client to the ADSM server. Starting another backup session on the other three nodes did not influence the transfer rate of the other nodes. Every node was able to transfer up to 7 MB/s independent of other nodes backup activity, summing up to 28 MB/s on the server side. This does not approach the maximum bandwidth of the SP Switch Router. Limiting factor in this scenario is the ability of the ADSM server to handle such data transfer rates (processor performance) and to write all data fast enough to storage media.

5.2 Single SP Partition and Multiple SP Switch Router Adapter Cards

It is frequently necessary to maintain the data transfer even when an SP Switch Router Adapter fails. This scenario describes how to setup a dual, not truly redundant, connection between SP Switch Router and SP Switch (see Figure 59) and how to recover from an adapter or cable failure.

5.2.1 Configuration of a Dual SP Switch Router Connection

Configuration assumptions:

- ARP should be enabled on the SP Switch network to provide the greatest flexibility in assigning IP addresses (strongly recommended!).

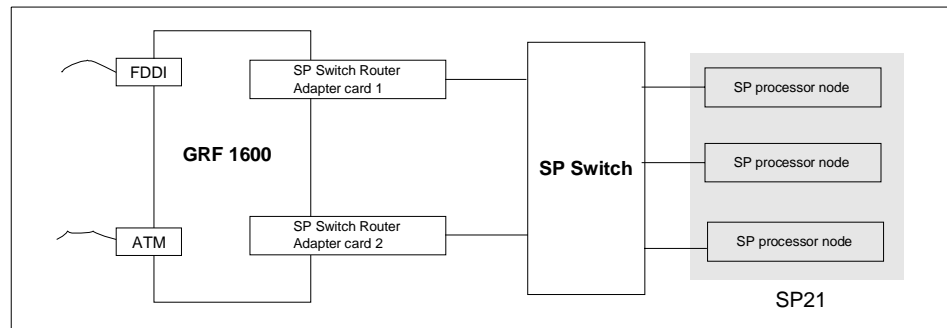


Figure 59. Connecting One SP Switch with Two SP Switch Router Adapter Cards

Table 19 shows the IP addresses used in our configuration.

Table 19. Configuration of a Dual SP Switch Router Connection

Adapter	IP Address	Netmask
SP Switch Router Adapter card 1	192.168.14.4	255.255.255.128
SP Switch Router Adapter card 2	192.168.14.129	255.255.255.128
SP processor nodes in SP21	192.168.14.1 - 192.168.14.15	255.255.255.0

Configuration:

To establish this scenario, both SP Switch Router Adapter cards have to be configured correctly. We installed them according to Section 3.7, "Step-by-Step Media Card Configuration" on page 86, keeping in mind these additional points:

1. Each SP Switch Router Adapter card interface has to be in a different subnet.
2. Netmasks have to be used to create different subnets on the router side.
3. Logical subnetting is only required on the router. The SP switch sees a single network.
4. Each SP Switch Router Adapter card must have a unique IP address. An alias IP address cannot be used on two active cards on the same router system.

Note: Be careful that the subnet mask does not, in effect, create a single subnet. Assigning subnet masks of 255.255.255.0 and 255.255.255.128 to the SP Switch Router Adapter cards on the router side would set both SP Switch Router Adapter cards in the same subnet. *This configuration does not work.*

To check if both SP Switch Router Adapter cards work properly, do the following:

1. See if the SP Switch Router Adapter cards show up green in perspectives or use `SDRGetObjects switch_responds`. Use `Eunfence` if needed.
2. Issue a `ping` to both SP Switch Router Adapter cards from any node of SP21:

```
root@sp21n06:/ ping 192.168.14.4
PING 192.168.14.4: (192.168.14.4): 56 data bytes
64 bytes from 192.168.14.4: icmp_seq=0 ttl=255 time=0 ms
64 bytes from 192.168.14.4: icmp_seq=1 ttl=255 time=0 ms
^C
----192.168.14.4 PING Statistics----
2 packets transmitted, 2 packets received, 0% packet loss
round-trip min/avg/max = 0/0/0 ms
```

```
root@sp21n06:/ ping 192.168.14.129
PING 192.168.14.129: (192.168.14.129): 56 data bytes
64 bytes from 192.168.14.4: icmp_seq=0 ttl=255 time=0 ms
64 bytes from 192.168.14.4: icmp_seq=1 ttl=255 time=0 ms
^C
----192.168.14.129 PING Statistics----
2 packets transmitted, 2 packets received, 0% packet loss
round-trip min/avg/max = 0/0/0 ms
```

If any errors occur, check cabling, the configuration of the SP Switch Router Adapter cards (especially subnet mask setting), and also the network adapters in the nodes.

If the SP Switch Router Adapter cards work, they can both be used to route IP traffic from the SP Switch. Add the following routes to the SP nodes of SP21:

```
route add -net xxx.xxx.xxx.xxx -netmask yyy.yyy.yyy.yyy -mtu \  
zzz 192.168.14.4
```

to route outgoing traffic (coming from the SP node) via SP Switch Router Adapter card 1 and:

```
route add -net xxx.xxx.xxx.xxx -netmask yyy.yyy.yyy.yyy -mtu \  
zzz 192.168.14.129
```

to route outgoing traffic (coming from the SP node) via SP Switch Router Adapter card 2. `xxx.xxx.xxx.xxx` describes the destination network, `yyy.yyy.yyy.yyy` the corresponding netmask and `zzz` a proper MTU size for the chosen route.

Note: With Ascend Embedded/OS 1.4.6.4 (and lower versions) this configuration has an unpleasant side effect. When both SP Switch Router Adapter cards are unfenced, the maintenance Ethernet and the RS232 connection are down. No login to the router is possible and existing login sessions do not accept any command. The router itself works fine but no changes in router configuration can be made. A workaround is to fence one SP Switch Router Adapter card for maintenance work. This problem should be solved in Ascend Embedded/OS 1.4.8.

Nevertheless, the possibility to choose which SP Switch Router Adapter card should route outgoing traffic allows a certain degree of load leveling. For best performance, you should divide your expected traffic into two equal parts and set the corresponding routes.

So far, so good. But what happens when one SP Switch Router Adapter card fails and why is it possible at all, to `ping` 192.168.14.129, netmask 255.255.255.128, from node 6 in SP21 with IP address 192.168.14.1, netmask 255.255.255.0? Node 6 in SP21 is able to reach the IP address 192.168.14.129 because this address is in the same subnet as its own IP address. But the SP Switch Router Adapter card cannot reach node 6 in SP 21, because 192.168.14.1 is not in its subnet. So there is no way back and `ping` should not work. But it works fine.

The next sections throw light on both questions.

5.2.2 Complex Configuration

In this section, we describe the setup of a complete scenario with a dual SP Switch Router connection, and explain why node 8 in SP21 in this setup is able to route IP traffic via IP address 192.168.14.129 (Figure 60 and Table 20 on page 191), although the way back apparently does not exist.

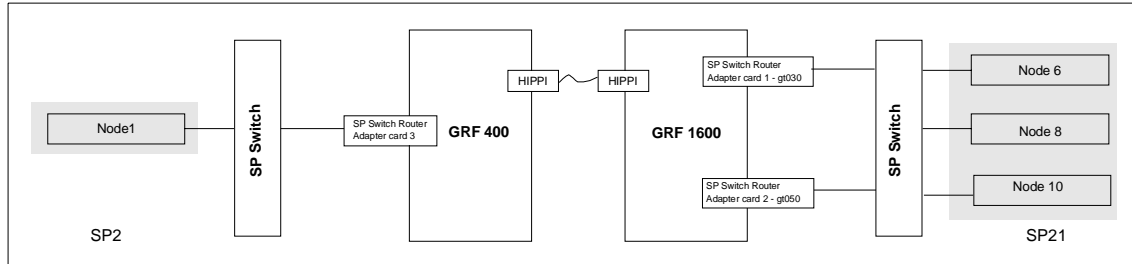


Figure 60. Configuration with Dual SP Switch Router - SP Switch Connection

Configuration assumptions:

- SP Switch Router Adapter cards were installed according to Section 3.7, “Step-by-Step Media Card Configuration” on page 86 and Section 5.2.1, “Configuration of a Dual SP Switch Router Connection” on page 187, and both work properly.
- ARP should be enabled on the SP Switch network to provide the most flexibility in assigning IP Addresses (strongly recommended!).
- The HIPPI connection is correctly installed and works (refer to Section 7.3, “HIPPI Backbone Connection” on page 227). We do not care about HIPPI connections in this chapter.
- All routes on the SP Switch Routers are assumed to be set correctly.

Table 20 on page 191 shows the IP addresses used in our configuration.

Table 20. Configuration of a Dual SP Switch Router - SP Switch Connection

Adapter	IP Address	Netmask
SP Switch Router Adapter card 1	192.168.14.4	255.255.255.128
SP Switch Router Adapter card 2	192.168.14.129	255.255.255.128
SP Switch Router Adapter card 3	192.168.13.4	255.255.255.0
Node 1 in SP2	192.168.13.1	255.255.255.0
Node 6 in SP21	192.168.14.6	255.255.255.0
Node 8 in SP21	192.168.14.8	255.255.255.0
Node 10 in SP21	192.168.14.130	255.255.255.0

Configuration:

For this scenario we chose the following route settings on our three test nodes in SP21 and on node 1 in SP2:

1. On node 1 in SP2, add the following route to the Switch network of SP21:

```
route add -net 192.168.14 -netmask 255.255.255.0 -mtu 65280 \
192.168.13.4
```

The MTU size of 65280 is the optimum size for the HIPPI connection.

2. Check for correct routing entry:

```
root@sp2n01:~# netstat -rn
Routing tables
Destination      Gateway          Flags   Refs      Use If        PMTU  Exp  Groups
-----
Route Tree for Protocol Family 2 (Internet):
default          192.168.3.37    UG      1         1103 en0        -    -
127/8            127.0.0.1      U       8          408 lo0        -    -
192.168.3/24     192.168.3.1    U       3        19063 en0        -    -
192.168.4/24     192.168.13.4   UG      2          452 css0      -    -
192.168.13/24    192.168.13.1   U       2        10135 css0      -    -
192.168.14/24    192.168.13.4   UG      0           0 css0    65280-

Route Tree for Protocol Family 24 (Internet v6):
::1              ::1             UH      0           0 lo0    16896  -
```

3. On node 6 in SP21, add the following route to the Switch network of SP2:

```
route add -net 192.168.13 -netmask 255.255.255.0 -mtu 65280 \  
192.168.14.4
```

The -mtu parameter is again optional but should be set to ensure optimal packet size on this route.

4. Check for correct routing entry:

```
root@sp21n06:/ netstat -rn  
Routing tables  
Destination      Gateway          Flags  Refs    Use  If    PMTU  Exp  Groups  
  
Route Tree for Protocol Family 2 (Internet):  
default          192.168.4.137   UG     0       14  en0   -    -  
127/8            127.0.0.1      U      8       402 lo0   -    -  
192.168.4/24     192.168.4.6    U      6      100681 en0   -    -  
192.168.13/24    192.168.14.4   UG     0         0  css0 65280 -  
192.168.14/24    192.168.14.6   U      2       9973  css0 -    -  
  
Route Tree for Protocol Family 24 (Internet v6):  
::1              ::1            UH     0         0  lo0 16896 -
```

5. On node 8 in SP21, add the following route to the switch network of SP2:

```
route add -net 192.168.13 -netmask 255.255.255.0 -mtu 65280 \  
192.168.14.129
```

6. Check for correct routing entry:

```
root@sp21n08:/ netstat -rn  
Routing tables  
Destination      Gateway          Flags  Refs    Use  If    PMTU  Exp  Groups  
  
Route Tree for Protocol Family 2 (Internet):  
default          192.168.4.137   UG     0       16  en0   -    -  
127/8            127.0.0.1      U      8       420 lo0   -    -  
192.168.4/24     192.168.4.8    U      6     101781 en0   -    -  
192.168.13/24    192.168.14.129 UG     0         0  css0 65280 -  
192.168.14/24    192.168.14.8   U      3     10714  css0 -    -  
  
Route Tree for Protocol Family 24 (Internet v6):  
::1              ::1            UH     0         0  lo0 16896 -
```

7. On node 10 in SP21, add the following route to the switch network of SP2:

```
route add -net 192.168.13 -netmask 255.255.255.0 -mtu 65280 \  
192.168.14.129
```

8. Check for correct routing entry:

```
root@sp21n10:/ netstat -rn
Routing tables
Destination      Gateway          Flags  Refs      Use If        PMTU  Exp  Groups
Route Tree for Protocol Family 2 (Internet):
default          192.168.4.137   UG      0         19 en0         -    -
10.2.1/24        10.2.1.1        U       0          8 fi0         -    -
127/8            127.0.0.1       U       8         414 lo0         -    -
192.168.4/24     192.168.4.10   U       6        101692 en0         -    -
192.168.13/24    192.168.14.129 UG      0          0 css0      65280 -
192.168.14/24    192.168.14.10  U       3        10936 css0         -    -

Route Tree for Protocol Family 24 (Internet v6):
::1              ::1             UH      0          0 lo0      16896 -
```

9. On GRF 1600, check /etc/grifconfig.conf for the following entries (or similar):

```
gt030  192.168.14.4  255.255.255.128 -      mtu 65520
gt050  192.168.14.129 255.255.255.128 -      mtu 65520
```

10. On the CWS of SP21 check if SP Switch Router Adapter cards are configured. See if both SP Switch Router Adapter cards show up green in perspectives or enter `SDRGetObjects switch_responds`. Use `Eunfence` if needed.

11. Issue some `ping` commands to check the connection:

On node 8, node 6 and node 10 of SP21, `ping` the switch interface of node 1 in SP2, for example:

```
root@sp21n06:/ ping 192.168.13.1
PING 192.168.13.1: (192.168.13.1): 56 data bytes
64 bytes from 192.168.13.1: icmp_seq=0 ttl=253 time=0 ms
64 bytes from 192.168.13.1: icmp_seq=1 ttl=253 time=0 ms
^C
----192.168.13.1 PING Statistics----
2 packets transmitted, 2 packets received, 0% packet loss
round-trip min/avg/max = 0/0/0 ms
```

On node 1 in SP2, ping the SP Switch interfaces of the chosen nodes in SP21, for example:

```
root@sp2n01:/ ping 192.168.14.6
PING 192.168.14.6: (192.168.14.6): 56 data bytes
64 bytes from 192.168.14.6: icmp_seq=0 ttl=253 time=1 ms
64 bytes from 192.168.14.6: icmp_seq=1 ttl=253 time=1 ms
^C
----192.168.14.6 PING Statistics----
2 packets transmitted, 2 packets received, 0% packet loss
round-trip min/avg/max = 1/1/1 ms
```

If these ping commands fail, check routing settings again. If everything is as it should be, try to ping the SP Switch Router Adapter cards and check the HIPPI connection to find the failing part.

If any further errors occur, check cabling, the configuration of SP Switch Router media cards (See Section 3.7, “Step-by-Step Media Card Configuration” on page 86 and Section 5.2.1, “Configuration of a Dual SP Switch Router Connection” on page 187) and also the network adapters in the nodes.

5.2.2.1 How the Traffic Flows

Why is it possible to ping 192.168.14.129, netmask 255.255.255.128 from node 6 in SP21 with IP address 192.168.14.6, netmask 255.255.255.0?

This question arose in Section 5.2.1, “Configuration of a Dual SP Switch Router Connection” on page 187. We treat this problem in a more general manner and look at our complex configuration (Figure 60 on page 190). What happens when our three chosen nodes in SP21 ping node 1 in SP2? The next three figures take a close look at the IP traffic flow. All three figures contain a simplified illustration of our complex configuration (Figure 60 on page 190). Figure 61 on page 195 shows the IP traffic flow when issuing the ping 192.168.13.1 on node 6 in SP21. All packets are first forwarded to the SP Switch Adapter card with IP address 192.168.14.4, according to the routing settings. From this SP Switch Adapter card all packets are forwarded via HIPPI connection to the only SP Switch Adapter card in GRF 400, which forwards the traffic to node 1 in SP2. The way back follows the same route. The SP Switch Adapter card with IP address 192.168.14.4 has no problem delivering IP packets to node 6 in the same subnet.

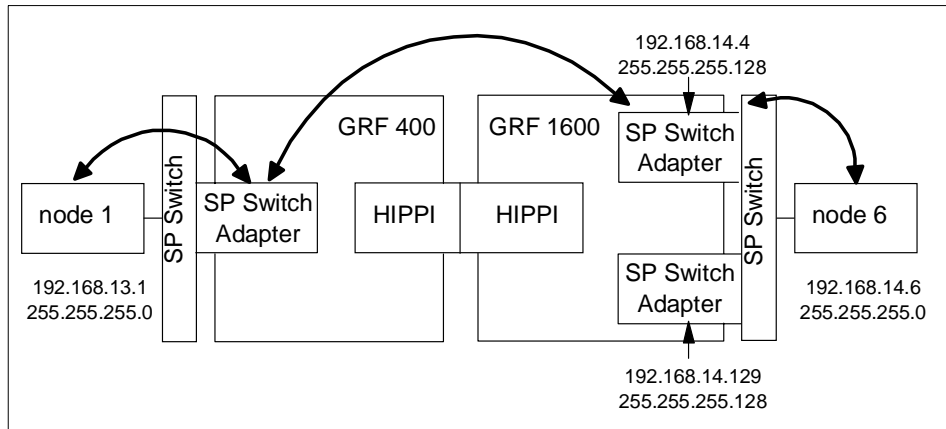


Figure 61. IP Traffic Flow When Issuing ping 192.168.13.1 on Node 6

Figure 63 on page 196 shows the IP traffic flow when issuing the ping 192.168.13.1 on node 10 in SP21. All packets are first forwarded to the SP Switch Adapter card with IP address 192.168.14.129 corresponding to the routing settings. From this SP Switch Adapter card all packets are forwarded via HIPPI connection to the only SP Switch Adapter card in GRF 400, which forwards the traffic to node 1 in SP2. The way back follows the same route. The SP Switch Adapter card with IP address 192.168.14.129 has no problem delivering IP packets to node 10 that is in the same subnet.

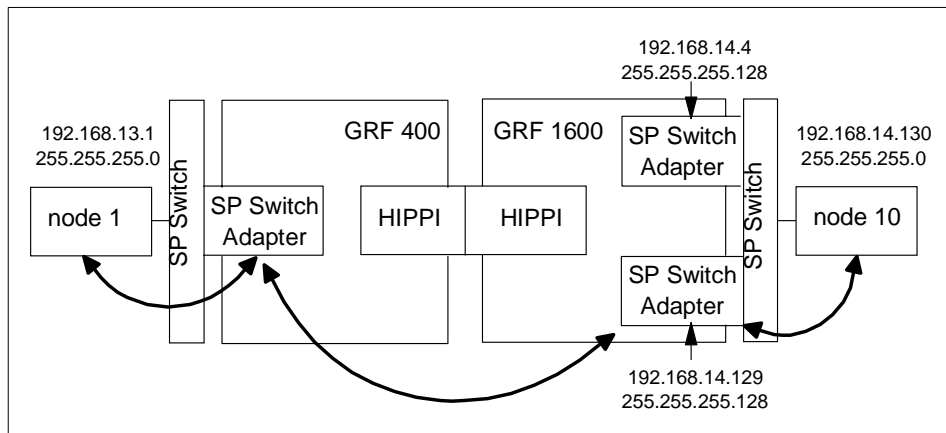


Figure 62. IP Traffic Flow When Issuing ping 192.168.13.1 on Node 10

Figure 63 shows the IP traffic flow when issuing `ping 192.168.13.1` on node 8 in SP21. All packets are first forwarded to the SP Switch Adapter card with IP address 192.168.14.129 corresponding to the routing settings. From this SP Switch Adapter card all packets are forwarded via HIPPI connection to the only SP Switch Adapter card in GRF 400, which forwards the traffic to node 1 in SP2. The way back follows first the same route. The internal logic of the GRF 1600 determines that the SP Switch Adapter card with IP address 192.168.14.129 is not able to deliver received packets back to node 8 because their IP address is in another subnet. So GRF 1600 uses the SP Switch Adapter card with IP address 192.168.14.4 to forward the IP traffic to node 8, because this is the only way to IP address 192.168.14.8.

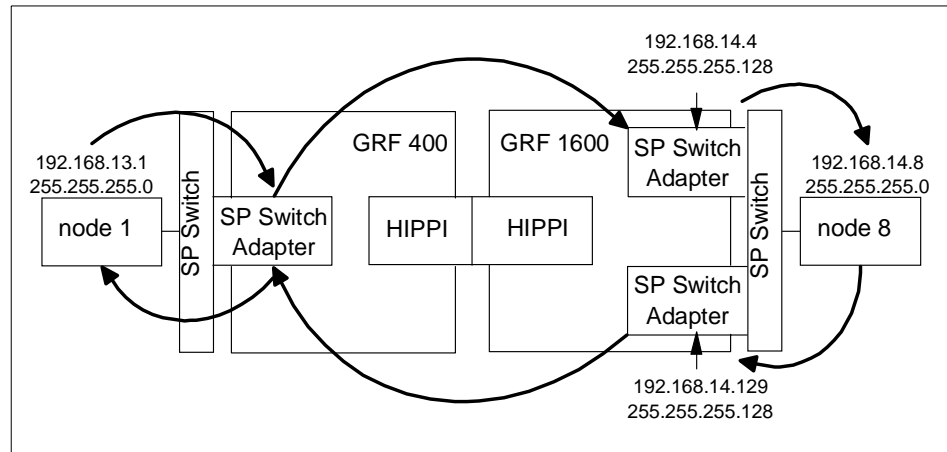


Figure 63. IP Traffic Flow When Issuing `ping 192.168.13.1` on Node 8

5.2.3 Recovery Procedure for an SP Switch Adapter Card Failure

What happens, when one of the SP Switch Adapter cards fails? A detailed look at Figure 61, Figure 62 and Figure 63 gives an answer:

1. When the SP Switch Adapter card with IP address 192.168.14.4 fails, neither node 6 nor node 8 can communicate with node 1 in SP2. Node 10 is not interrupted.
2. When the SP Switch Adapter card with IP address 192.168.14.129 fails, neither node 10 nor node 8 can communicate with node 1 in SP2. Node 6 is not interrupted.

Note: Node 8 is always affected, independent of the failing SP Switch Adapter card. Try to avoid routing settings that need both SP Switch Adapter cards for proper functioning.

To recover from a failing SP Switch Adapter card, you have to define an alias IP address for the surviving card. Follow these steps when `gt030` fails:

1. Login as root to the SP Switch Router.
2. Remove the interface of `gt030` from active status:

```
ifconfig gt030 delete
```

3. Assign the alias IP address to `gt050`:

```
ifconfig gt050 alias 192.168.14.4 netmask 255.255.255.128
```

Follow these steps, when `gt050` fails:

1. Login as root to SP Switch Router.
2. Remove the interface of `gt050` from active status:

```
ifconfig gt050 delete
```

3. Assign the alias IP address to `gt030`:

```
ifconfig gt030 alias 192.168.14.129 netmask 255.255.255.128
```

After setting the alias address, verify with the `grarp` command that the arp table shows the correct IP addresses and corresponding physical SP Switch addresses, for example:

```
grf16:/root grarp 192.168.14.129
???(0): 192.168.14.129 at 0:0:0:0:0:f
???(0): 192.168.14.4 at 0:0:0:0:0:f
```

Both IP addresses have to show the same physical SP Switch address.

5.3 Multiple SP Partition and Multiple SP Switch Router Adapter Cards

A partitioned RS/6000 SP has some advantages: It is possible to separate production and development systems that is, test new software in one partition without crashing the entire system when one partition crashes. Last but not least, several partitions can run several software versions that are incompatible with each other in one partition.

But one large disadvantage remains: There is no high-speed connection between several partitions. Using an IBM 9077 SP Switch Router with two SP Switch Router Adapter cards lets you overcome this problem. You can partition your SP *and* set up a high-speed connection between several partitions. This scenario describes how to establish such a partition-to-partition connection (Figure 64 on page 198 and Table 21 on page 199).

Configuration assumptions:

- The RS/6000 SP is partitioned in to two or more partitions (two partitions for this scenario).

Note: Be careful when choosing the partition layout. In every partition, a free Switch chip port to connect the SP Switch Router Adapter card is necessary.

- Every partition establishes a single subnet.

Note: Be careful when subnetting your SP partitions. Although not necessary when you simply partition your SP, it is required that every partition in effect form in a single subnet to establish a connection via an SP Switch Router. *All other subnetting does not work.*

- ARP should be enabled on the SP Switch network to provide the greatest flexibility in assigning IP addresses (strongly recommended!).

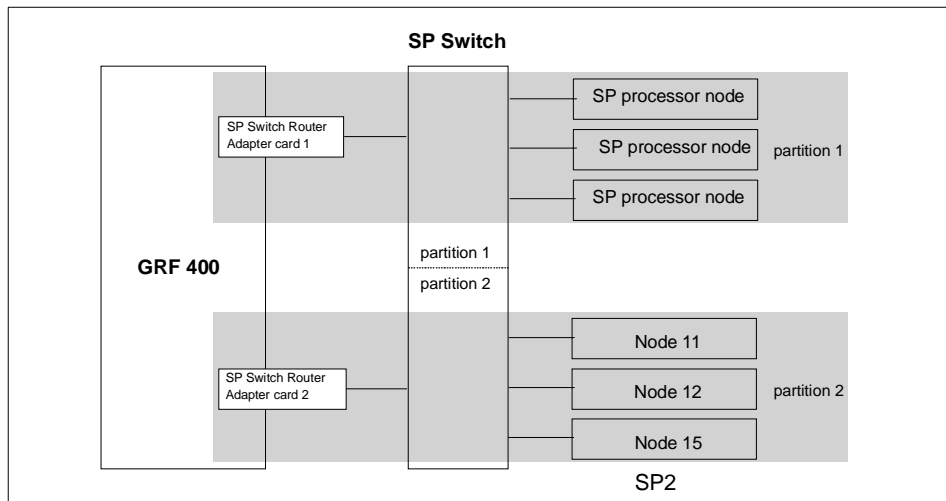


Figure 64. Partition-to-Partition Connection with an SP Switch Router

Table 21 shows the IP addresses used in our configuration.

Table 21. Configuration of a Partition - Partition Connection

Adapter	IP Address	Netmask
SP Switch Router Adapter card 1	192.168.13.4	255.255.255.128
SP Switch Router Adapter card 2	192.168.13.129	255.255.255.128
Node 11 in SP2	192.168.13.130	255.255.255.128
Node 12 in SP2	192.168.13.131	255.255.255.128
Node 15 in SP2	192.168.13.132	255.255.255.128
All other processor nodes in SP2	192.168.13.1 - 192.168.13.15	255.255.255.128

Configuration:

For this scenario, the following routes have to be set:

1. On node 11, node 12 and node 15 in SP2, add the following route to the switch network of partition 1 of SP2:

```
route add -net 192.168.13.0 -netmask 255.255.255.128 -mtu 65520 \
192.168.13.129
```

The MTU size of 65520 is the optimum size for the SP Switch network.

2. Check for correct routing entries, for example:

```
root@sp2n11:/ netstat -m
Routing tables
Destination      Gateway          Flags  Refs      Use If    PMTU  Exp  Groups
Route Tree for Protocol Family 2 (Internet):
default          192.168.3.37    UG     1         1188 en0   -    -
10.10.1/24       10.10.1.11     U      0          16 fi0   -    -
127/8            127.0.0.1      U      8         377 lo0   -    -
192.168.3/24     192.168.3.11   U      8        83717 en0   -    -
192.168.13/25   192.168.13.129 UG     0        12107 css0  65520 -
192.168.13.128/25 192.168.13.130 U      1          49 css0  -    -
Route Tree for Protocol Family 24 (Internet v6):
::1              ::1             UH     0          0 lo0  16896 -
```

3. On all nodes in partition 1 in SP2, add the following route to the switch network of partition 2 in SP2:

```
route add -net 192.168.13.128 -netmask 255.255.255.128 -mtu 65520 \
192.168.13.4
```

The -mtu parameter is again optional but should be set to ensure optimal packet size on this route.

4. Check for correct routing entry:

```
root@sp2n01:/ netstat -rn
Routing tables
Destination      Gateway          Flags  Refs      Use  If  PMTU  Exp  Groups
Route Tree for Protocol Family 2 (Internet):
default          192.168.3.37    UG     0         30  en0  -    -
127/8            127.0.0.1       U      8         397  lo0  -    -
192.168.3/24     192.168.3.1    U      8        86147  en0  -    -
192.168.13/25    192.168.13.1   U      1          4  css0  -    -
192.168.13.128/25 192.168.13.4   UG     0        3082  css0 65520 -
Route Tree for Protocol Family 24 (Internet v6):
::1              ::1             UH     0          0  lo0 16896 -
```

5. On GRF 400, check /etc/grifconfig.conf for the following entry (or one similar):

```
gt020 192.168.13.129 255.255.255.128
gt030 192.168.13.4 255.255.255.128
```

6. On the CWS of SP2, check if SP Switch Router Adapter cards are configured. See if both SP Switch Router Adapter cards show up green in perspectives or enter `SDRGetObjects switch_responds`. Use `Eunfence` if needed.

7. Issue some `ping` commands to check the connection:

On node 11, node 12 and node 15 of SP2, `ping` the SP Switch interface of any node in partition 1 in SP2, for example:

```
root@sp2n11:/ ping 192.168.13.1
PING 192.168.13.1: (192.168.13.1): 56 data bytes
64 bytes from 192.168.13.1: icmp_seq=0 ttl=254 time=0 ms
64 bytes from 192.168.13.1: icmp_seq=1 ttl=254 time=0 ms
^C
----192.168.13.1 PING Statistics----
2 packets transmitted, 2 packets received, 0% packet loss
round-trip min/avg/max = 0/0/0 ms
```

On any node in partition 1 in SP2, `ping` the SP Switch interfaces of any node in partition 2 in SP2, for example:

```
root@sp2n01:/ ping 192.168.13.132
PING 192.168.13.132: (192.168.13.132): 56 data bytes
64 bytes from 192.168.13.132: icmp_seq=0 ttl=254 time=1 ms
64 bytes from 192.168.13.132: icmp_seq=1 ttl=254 time=1 ms
^C
----192.168.13.132 PING Statistics----
2 packets transmitted, 2 packets received, 0% packet loss
round-trip min/avg/max = 1/1/1 ms
```

If these ping commands fail, check routing settings again. If everything is as it should be try to ping the SP Switch Router Adapter cards to find the failing part:

```
ping 192.168.13.4 (on nodes in partition 1)
ping 192.168.13.129 (on nodes in partition 2)
```

If any further errors occur, check cabling, the configuration of SP Switch Router media cards (See Section 3.7, “Step-by-Step Media Card Configuration” on page 86) and also the network adapters in the nodes.

Performance:

We did no performance measurement for this scenario. This setup is rather similar to the one described in Section 6.1, “RS/6000 SP Switch - RS/6000 SP Switch Connection” on page 203. There is no good reason why these scenarios should achieve a different data transfer rate. So we expect a data transfer rate of about 80 MB/s between the partitions, as before.

202 IBM 9077 SP Switch Router: Get Connected to the SP Switch

Chapter 6. Multiple RS/6000 SPs and One SP Switch Router

In this configuration, two RS/6000 SP systems are connected to a single SP Switch Router. This enables both SPs to communicate deploying the SP Switch data transfer rate and/or to share other network resources. See Figure 65 for an overview.

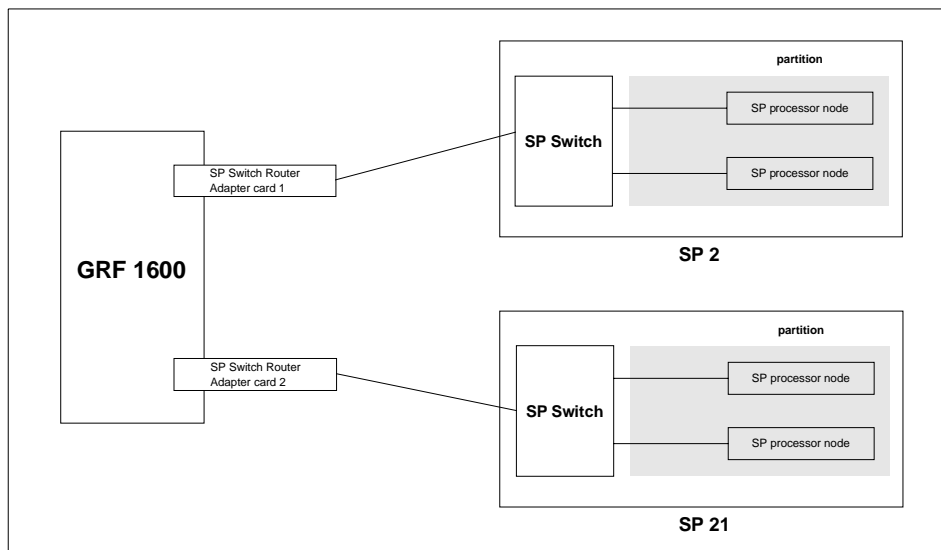


Figure 65. Two RS/6000 SPs Connected to GRF 1600

6.1 RS/6000 SP Switch - RS/6000 SP Switch Connection

This scenario corresponds to Figure 65. It might be used to connect two RS/6000 SPs to exploit the SP Switch data transfer rate. Because of the switch cable length limit of 20m, this scenario is only applicable when both SPs have a maximum distance of 40m. In all other cases you will need two routers and a corresponding high speed connection (refer to Chapter 7, "Multiple RS/6000 SPs and Multiple GRFs" on page 209).

Configuration assumptions:

- Both SP Switch Router Adapter cards have been installed according to Section 3.7, "Step-by-Step Media Card Configuration" on page 86, and work properly.

Note: When configuring the second SP Switch Router Adapter card, ensure that *both* Control Workstations are defined as SNMP managers in

/etc/snmpd.conf on the GRF 1600. To check, open this file and look for a stanza similar to the following:

```
MANAGER          192.168.4.137
                  SEND ALL TRAPS
                  TO PORT 162
                  WITH COMMUNITY spenmgmt
```

This stanza is needed *twice*, one for each CWS. Otherwise, the SP Switch Router Adapter card will hang in state `loading`. Additionally, when you assign an IP address to the second SP Switch Router Adapter card using SMIT, ensure that this IP address can be resolved by name service, be it DNS or /etc/hosts based. Otherwise the card cannot be unfenced.

- The SP Switch Router Adapter card and SP processor node switch adapters are in the same IP subnet on both SPs.
- ARP should be enabled on the SP Switch networks to provide the most flexibility in assigning IP addresses (strongly recommended!).
- If ARP is disabled on the SP Switch network, the IP addresses assigned to the nodes must be determined by the switch node numbers.

Note: The SP Switch Router Adapter card will not properly forward IP data to nodes assigned with an IP address that is in another subnet.

Configuration:

To establish this scenario, on the GRF 1600, an SP Switch Router Adapter card (slot 4) is attached to the SP Switch of SP2, a second card (slot 3) to the SP Switch of SP21, as shown in Table 22 and Figure 65 on page 203. The netmask for all interfaces is 255.255.255.0.

Table 22. Configuration of SP Switch - SP Switch Connection

Adapter	IP Address
SP Switch Router Adapter card 1	192.168.13.16
SP Switch Router Adapter card 2	192.168.14.4
SP processor nodes in SP21	192.168.14.1 - 192.168.14.15
SP processor nodes in SP2	192.168.13.1 - 192.168.13.15

To successfully run this configuration, no routes need to be set on the SP Switch Router. Just set the corresponding routes on all nodes of SP2 and SP21:

1. On nodes in SP21, add the following route to the switch network of SP2:

```
route add -net 192.168.13 -netmask 255.255.255.0 -mtu 65280 \
192.168.14.4
```

2. Check for correct routing entry:

```
root@sp2ln01:/ netstat -rn
Routing tables
Destination      Gateway          Flags  Refs    Use  If    PMTU  Exp  Groups

Route Tree for Protocol Family 2 (Internet):
default          192.168.4.137   UG     0       515  en0   -    -
10.1.1/24        192.168.14.4    UG     0        65  css0  -    -
10.10.1/24       192.168.14.4    UG     0         2  css0 4352  -
10.50.1/24       192.168.14.4    UG     0         37  css0  -    -
127/8            127.0.0.1       U       8        518  lo0   -    -
192.168.4/24     192.168.4.1     U      10    345052  en0   -    -
192.168.13/24   192.168.14.4    UG     0    1360145  css0 65280  -
192.168.14/24   192.168.14.1    U       6    283472  css0  -    -

Route Tree for Protocol Family 24 (Internet v6):
::1              ::1              UH     0         0  lo0 16896  -
```

3. On nodes in SP2, add the following route to the switch network of SP21:

```
route add -net 192.168.14 -netmask 255.255.255.0 -mtu 65280 \
192.168.13.16
```

The -mtu parameter is optional but should be set to ensure optimal packet size on this route.

4. Check for correct routing entry:

```
root@sp2n01:/ netstat -rn
Routing tables
Destination      Gateway          Flags  Refs    Use  If    PMTU  Exp  Groups

Route Tree for Protocol Family 2 (Internet):
default          192.168.3.37    UG     1        398  en0   -    -
10.1.1/24        192.168.13.4    UG     0         94  css0  -    -
127/8            127.0.0.1       U       8        541  lo0   -    -
192.168.3/24     192.168.3.1     U      11    1065877  en0   -    -
192.168.13/24   192.168.13.1    U       2     76677  css0  -    -
192.168.14/24   192.168.13.16   UG     0    431146  css0 65520  -

Route Tree for Protocol Family 24 (Internet v6):
::1              ::1              UH     0         0  lo0 16896  -
```

5. On GRF 1600, check /etc/grifconfig.conf for the following entry:

```
gt030  192.168.14.4  255.255.255.0  -      mtu 65520
gt040  192.168.13.16 255.255.255.0  -      mtu 65520
```

6. On the CWS of SP2 and on the CWS of SP21, check if SP Switch Router Adapter cards are configured. Check if the SP Switch Router Adapter

cards shows up green in perspectives or enter `SDRGetObjects`
`switch_responds`. Use `Eunfence` if needed.

7. Issue some `ping` commands to check the connection:

On the SP2 nodes, `ping` the SP Switch interface of any node in SP21:

```
root@sp2n01:/ ping 192.168.14.1
PING 192.168.14.1: (192.168.14.1): 56 data bytes
64 bytes from 192.168.14.1: icmp_seq=0 ttl=254 time=1 ms
64 bytes from 192.168.14.1: icmp_seq=1 ttl=254 time=1 ms
^C
----192.168.14.1 PING Statistics----
2 packets transmitted, 2 packets received, 0% packet loss
round-trip min/avg/max = 1/1/1 ms
```

On the SP21 nodes, `ping` the SP Switch interface of any node in SP2:

```
root@sp21n01:/ ping 192.168.13.1
PING 192.168.13.1: (192.168.13.1): 56 data bytes
64 bytes from 192.168.13.1: icmp_seq=0 ttl=254 time=1 ms
64 bytes from 192.168.13.1: icmp_seq=1 ttl=254 time=1 ms
^C
----192.168.13.1 PING Statistics----
2 packets transmitted, 2 packets received, 0% packet loss
round-trip min/avg/max = 1/1/1 ms
```

If these `ping` commands fail, check routing settings again. If everything is as it should be, try to `ping` both SP Switch Adapter cards to find the failing part:

```
ping 192.168.13.16 (on SP2 nodes)
ping 192.168.14.4 (on SP21 nodes)
```

If any errors occur, check cabling, the configuration of the SP Switch Router cards (see Section 3.7, "Step-by-Step Media Card Configuration" on page 86) and also the switch adapters in the nodes.

Performance:

To get a rough overview of the data transfer rates that can be achieved between the SPs, we again used `ftp` to transfer several 300MB files from different nodes in SP2 to several nodes in SP21. We sent these files to `/dev/null` to eliminate any hard disk influence on the receiver side.

The requisites for this test are the same as described in Section 5.1.4.1, "SP Switch - FDDI Connection without Bridging" on page 174. We started `ftp` transfers on all available nodes of SP2 and on some nodes of SP21.

With this scenario and without further tuning (refer to Appendix A, “Laboratory Hardware and Software Configuration” on page 233 for actual n_0 parameters), we measured a stable cumulative transfer rate of up to 83 MB/s (observed with the freeware tool monitor). This was the maximum transfer rate achievable in our environment. We are confident that further tuning and faster nodes can achieve higher transfer rates up to the maximum of GRFs crosspoint switch which is 100 MB/s.

6.2 Sharing Network Resources

This scenario is a combination of the scenario described in Section 6.1, “RS/6000 SP Switch - RS/6000 SP Switch Connection” on page 203 and one or more of the scenarios described in Section 5.1.1, “SP Switch - Ethernet Connection” on page 157, Section 5.1.2, “SP Switch - FDDI Connection” on page 162, Section 5.1.3, “SP Switch - ATM Connection” on page 167 and Section 5.1.4, “SP Switch - FDDI Connection (Distinct FDDI Networks)” on page 174. In an extended network, resources are always rare. This scenario might help to share these resources between several SPs and at the same time to connect these SPs with a high speed connection (see Figure 66).

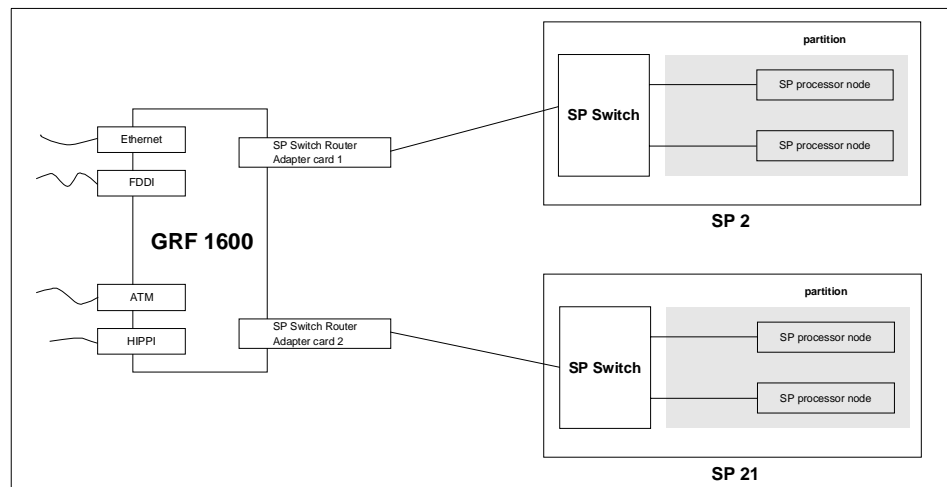


Figure 66. Sharing Network Resources between Two SPs

To establish this scenario, simply follow the steps in Section 6.1, “RS/6000 SP Switch - RS/6000 SP Switch Connection” on page 203 first. If all tests are successful, set up the connection from each SP and its nodes to the required network resources. Follow the steps given in Section 5.1, “Single SP Partition and Single SP Switch Router Adapter Card” on page 157. We found no

interference between data transfers from each SP to different SP Switch Router Adapter media cards except the one caused by limited bandwidth of the different network types (FDDI, ATM).

Chapter 7. Multiple RS/6000 SPs and Multiple GRFs

In this section, sample configurations with two SP systems connected with two SP Switch Routers are presented. The routers, in turn, are connected by any kind of high speed network supported by the GRF. Preferable selections are dedicated high performance networks such as FDDI, ATM or HIPPI. Figure 67 on page 209 will help to understand the setup.

This scenario might be suitable to connect two SP systems that are installed in different locations - such as different buildings - and cannot be connected directly with one SP Switch Router, as in Chapter 6, "Multiple RS/6000 SPs and One SP Switch Router" on page 203.

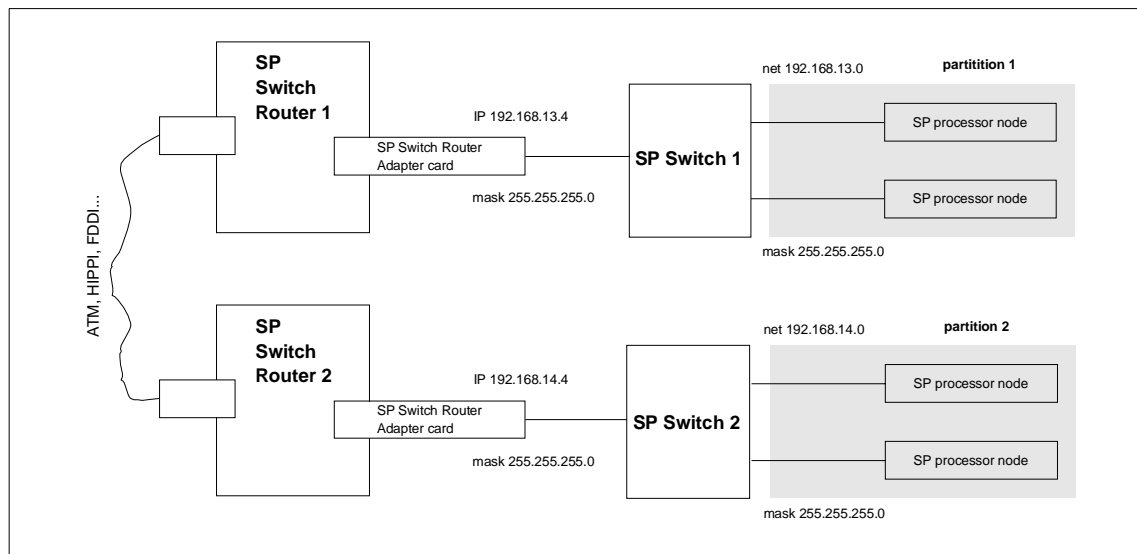


Figure 67. Connection of Two SPs with Two SP Switch Routers

7.1 ATM OC-3c Backbone Connection

As introduced in Section 4.2, "ATM OC-3c Configuration" on page 110, an ATM media card has two ports on it. So why would one use only one of them to connect two GRFs?

Remember, the GRF is a router and as such expects every port on any media card to be in a different network (logical or physical), otherwise there would be no need to route. This means that without further work the two ports of the ATM media card cannot be used simultaneously to connect two GRFs with a

fast network. (The spare second port might be in use for example for a connection to an ATM attached device that needs a fast path to the SP Switch network).

To make use of both ports, four possible solutions come to mind:

1. Break up your already existing network topology (nodes of the SP) and create different subnets, which in turn can be routed over the different ATM subnets on the two ports.

We do not expect that any customer will do this, but the solution is mentioned here for the sake of completeness.

2. Configure the two ATM ports on different networks and route one half of the nodes over the first ATM port and route the other half over the second ATM port. It will be a pain, though, to maintain the different routes, so solution 4. below might be considered.
3. Configure the two ATM ports for transparent bridging and use the two ports simultaneously with just one IP address assigned to them. This solution sounds promising and will be covered in Section 7.1.2, "ATM OC-3c Backbone - Using Two Ports" on page 215. Be prepared for a surprise.
4. Configure dynamic routing and use the open shortest path first (OSPF) protocol to use the two ATM ports equivalently. They have to be in different subnets, but gated will take care of that. Configuring gated is said to be a non-trivial task and once running, it might well turn a stable system into a true binary specimen.

7.1.1 ATM OC-3c Backbone - Using One Port

Now, let us consider the setup of the one-port ATM backbone connection with two GRF routers.

Configuration assumptions:

- The SP Switch Router ATM media card has been installed according to Section 4.2, "ATM OC-3c Configuration" on page 110 on both GRF routers and works properly.
- The SP Switch Router Adapter card has been installed according to Section 3.7, "Step-by-Step Media Card Configuration" on page 86 on both GRF routers and works properly.
- The SP Switch Router Adapter card and SP processor node Switch adapters are in the same IP subnet on the respective SP.
- ARP should be enabled on the SP Switch network to provide the most flexibility in assigning IP addresses (strongly recommended!).

- If ARP is disabled on the SP Switch network, the IP addresses assigned to the nodes must be determined by the switch node numbers.

Note: The SP Switch Router Adapter card will not properly forward IP data to nodes assigned with an IP address that is in another subnet.

Configuration:

In this scenario, we have the SP Switch of SP21 connected to the GRF 1600. The GRF 1600 has its ATM OC-3c media card's port 00 connected to the GRF 400 ATM OC-3c media card's port 00. The GRF 400 in turn is attached to the SP Switch of SP2, as shown in Figure 68 and Table 23 on page 212. The netmask for all interfaces is 255.255.255.0.

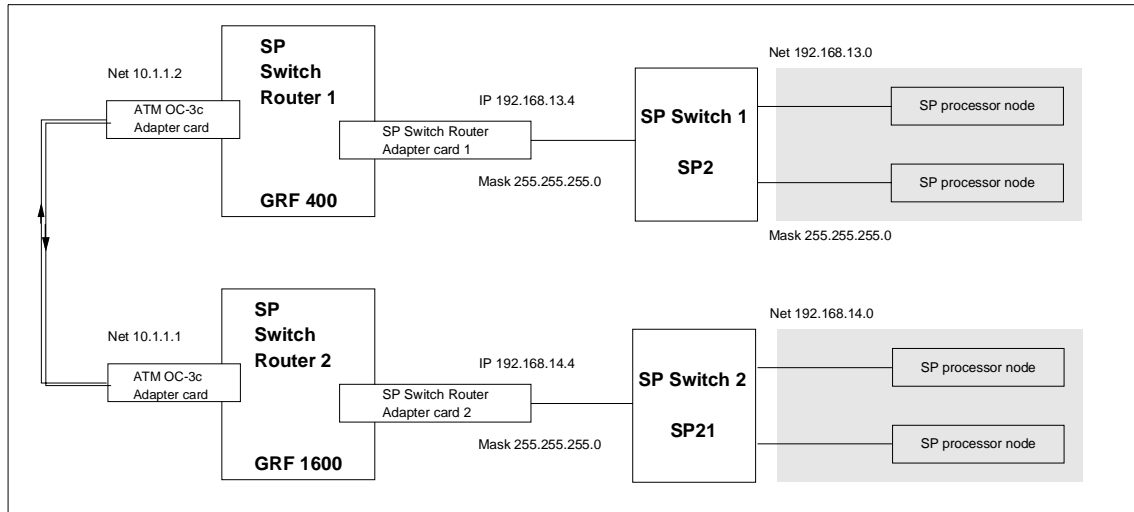


Figure 68. SP Switch - ATM - SP Switch Connection

Table 23 on page 212 shows the IP addresses used in our configuration.

Table 23. Configuration of SP Switch - ATM - SP Switch

Adapter	IP Address
SP Switch Router Adapter card 1	192.168.13.4
SP Switch Router ATM media card (port 00) in GRF 400	10.1.1.2
SP Switch Router ATM media card (port 00) in GRF 1600	10.1.1.1
SP Switch Router Adapter card 2	192.168.14.4

To successfully run this configuration, a route to the distant SP Switch network has to be set on every SP Switch Router. On the nodes of SP2 and SP21, respectively, routes to the nodes of the distant SP have to be set.

The media card on the GRF routers should already be up and running (according to Section 3.7, "Step-by-Step Media Card Configuration" on page 86 and Section 4.2, "ATM OC-3c Configuration" on page 110). The important settings are repeated here, nevertheless, to be on the safe side:

- On GRF 1600 (ATM card in slot 1, SP Switch card in slot 3):
 1. The file /etc/gratm.conf needs the configuration statements for the port used:

```
Traffic_Shape name=high_speed_high_quality \
    peak=155000 sustain=155000 burst=2048 qos=high
Interface ga010 traffic_shape=high_speed_high_quality
PVC ga010 0/132 proto=ip traffic_shape=high_speed_high_quality
```

2. The file /etc/grifconfig.conf has the following entries:

```
gt030 192.168.14.4 255.255.255.0 - mtu 65520
ga010 10.1.1.1 255.255.255.0 - mtu 9180
```

3. The file /etc/grroute.conf has the following line:

```
192.168.13.0 255.255.255.0 10.1.1.2
```

This will set the correct route to the other SP Switch network over the ATM interface automatically; of course, this route could also be set manually every time the GRF is rebooted.

4. The SP Switch Router Adapter card is connected to the SP Switch and configured, too. Check with `SDRGetObjects switch_responds` on the CWS and use `Eunfence` if needed.
- On GRF 400 (ATM card in slot 2, SP Switch card in slot 1):

1. The file `/etc/gratm.conf` needs the configuration statements for the port used:

```
Traffic_Shape name=high_speed_high_quality \  
    peak=155000 sustain=155000 burst=2048 qos=high  
Interface ga020 traffic_shape=high_speed_high_quality  
PVC ga020 0/132 proto=ip traffic_shape=high_speed_high_quality
```

2. The file `/etc/grifconfig.conf` has the following entries:

```
gt010 192.168.13.4 255.255.255.0 - mtu 65520  
ga020 10.1.1.2 255.255.255.0 - mtu 9180
```

3. The file `/etc/grroute.conf` has the following line:

```
192.168.14.0 255.255.255.0 10.1.1.1
```

This will set the correct route to the other SP Switch network over the ATM interface automatically; of course, this route could also be set manually every time the GRF is rebooted.

4. The SP Switch Router Adapter card is connected to the SP Switch and configured, too. Check with `SDRGetObjects switch_responds` on the CWS and use `Eunfence` if needed.

5. On the nodes in SP21, the following route needs to be set:

```
route add -net 192.168.13 -netmask 255.255.255.0 -mtu 9180 \  
192.168.14.4
```

6. On the nodes in SP2, the following route needs to be set:

```
route add -net 192.168.14 -netmask 255.255.255.0 -mtu 9180 \  
192.168.13.4
```

The above command should be given in one line, the `\` is to show where the line break occurred during printing. To avoid any pitfalls, set the MTU size explicitly to the size of the ATM adapter.

Hint: You *must not* use `SMIT` to set this route and put it into the ODM. The SP Switch is not operational at the time, this route would be set during boot time. Therefore this route would be put onto another, already available network interface, for example the Control Ethernet, and this is definitely not what you want to happen.

Use a separate `/etc/rc.routes` shell script that is run only after an `Estart` or an `Eunfence` was issued, or use some other mechanisms to have this route set only after the `css0` interfaces on the SP nodes are up and running.

Setup is done now, and every node in SP2 should now be able to `ping` every node in SP21 and vice versa.

5. Check for correct routing entries on all nodes in SP21:

```

root@sp21cw0:/ dsh -a netstat -rn | grep 192.168.13
sp21n01: 192.168.13/24    192.168.14.4    UG      1  1020086  css0  9180  -
sp21n05: 192.168.13/24    192.168.14.4    UG      0   12456  css0  9180  -
sp21n06: 192.168.13/24    192.168.14.4    UG      0     15  css0  9180  -
sp21n07: 192.168.13/24    192.168.14.4    UG      0  731470  css0  9180  -
sp21n08: 192.168.13/24    192.168.14.4    UG      0     0  css0  9180  -
sp21n09: 192.168.13/24    192.168.14.4    UG      0 1533484  css0  9180  -
sp21n10: 192.168.13/24    192.168.14.4    UG      0  643863  css0  9180  -
sp21n11: 192.168.13/24    192.168.14.4    UG      0 1460254  css0  9180  -
sp21n13: 192.168.13/24    192.168.14.4    UGc     0     0  css0  9180  -
sp21n15: 192.168.13/24    192.168.14.4    UGc     0     0  css0  9180  -
root@sp21cw0:/

```

6. Check for correct routing entries on all nodes in SP2:

```

root@sp2cw0:/ dsh -a netstat -rn | grep 192.168.14
sp2n01: 192.168.14/24    192.168.13.4    UG      0 1099887  css0  9180  -
sp2n05: 192.168.14/24    192.168.13.4    UG      0 1299484  css0  9180  -
sp2n06: 192.168.14/24    192.168.13.4    UG      0  352513  css0  9180  -
sp2n07: 192.168.14/24    192.168.13.4    UG      0  999147  css0  9180  -
sp2n08: 192.168.14/24    192.168.13.4    UG      0  146784  css0  9180  -
sp2n09: 192.168.14/24    192.168.13.4    UG      0  355671  css0  9180  -
sp2n10: 192.168.14/24    192.168.13.4    UG      0  879759  css0  9180  -
sp2n11: 192.168.14/24    192.168.13.4    UG      0 1026871  css0  9180  -
sp2n12: 192.168.14/24    192.168.13.4    UG      0 1099748  css0  9180  -
sp2n13: 192.168.14/24    192.168.13.4    UG      0  340367  css0  9180  -
sp2n14: 192.168.14/24    192.168.13.4    UG      0  347869  css0  9180  -
sp2n15: 192.168.14/24    192.168.13.4    UG      0  351648  css0  9180  -
root@sp2cw0:/

```

7. Issue some ping commands to check the connection:

On the SP21 nodes, ping the SP Switch interface of nodes in SP; on nodes in SP2, ping the SP Switch interface of nodes in SP21.

If these ping commands fail, check routing settings again. If everything is as it should be, try to ping the SP Switch Router ATM media card or the SP Switch Router Adapter card to find the failing part:

ping 192.168.14.4 (on SP21 processor nodes)

ping 192.168.13.4 (on SP2 processor nodes)

ping 10.1.1.1 and ping 10.1.1.2 (on both GRF 400 and GRF 1600)

If any errors occur, check cabling, the configuration of the SP Switch Router media cards (see Section 3.7, "Step-by-Step Media Card Configuration" on page 86 and Section 4.2, "ATM OC-3c Configuration" on page 110) and the Switch adapters in the SP nodes.

Performance:

To get a rough overview of the data transfer rates that can be achieved in this scenario, the following test was performed:

1. We used ftp to conduct several file transfers of a 300 MB file from the nodes in SP2 to one chosen node in SP21, and at the same time used ftp to conduct several file transfers of a 300 MB file from the nodes in SP21 to a chosen node in SP2. We sent the files to /dev/null on the receiving node to eliminate any hard disk influence.

We saw up to about 14.5 MB/s with just one side sending data; with all nodes sending and receiving, we achieved an duplex throughput of about 24 MB/s on the ATM port.

So it just might turn out that one 155 Mbit ATM port is not enough for a performance connection between two SP systems.

7.1.2 ATM OC-3c Backbone - Using Two Ports

This setup is basically the same as using just one port of the ATM card, as described in Section 7.1.1, "ATM OC-3c Backbone - Using One Port" on page 210. To avoid the difficulties regarding the need of different (sub)networks on the two ports, we decided to use the GRF bridging implementation as described in *GRF Configuration Guide 1.4*, GA22-7366. See Figure 69 and Table 24 on page 216 for the illustration of the new scenario.

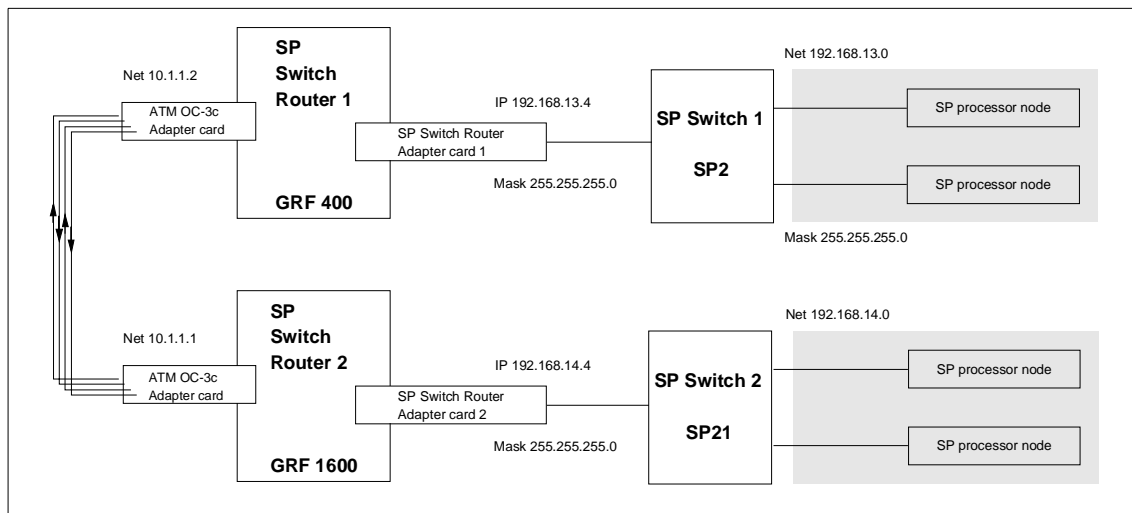


Figure 69. SP Switch - ATM Bridged - SP Switch Connection

Table 24 shows the IP addresses used in our configuration.

Table 24. Configuration of SP Switch - ATM Bridged - SP Switch

Adapter	IP Address
SP Switch Router Adapter card 1	192.168.13.4
SP Switch Router ATM media card (port 00) in GRF 400	10.1.1.2
SP Switch Router ATM media card (port 00) in GRF 1600	10.1.1.1
SP Switch Router Adapter card 2	192.168.14.4

Basically, the two ports are managed by a specific daemon and packets are sent over the participating ports depending on parameters in the configuration file `/etc/bridged.conf`.

A "wrapped" version of `vi`, called `bredit`, is available on the GRF router, and you should use it to create or edit the configuration file by running the command `bredit`.

First, we look at the GRF 1600:

1. The following screen shot gives you the minimum required data to be put into `/etc/bridged.conf`:

```
# breedit
# bridge_group bg0 {
# port gf000 gf001 gf002 gf003;
# };

bridge_group bg1 (
    port ga010 ga0180;
);

:wq!
/tmp/bridged.conf.6117: 7 lines, 101 characters.
Update /etc/bridged.conf with these changes? [y/n] [n] y
Parsed file "/tmp/bridged.conf.6117" successfully.
Changes committed.
Use grwrite(8) to make the changes permanent.
Signal bridged to effect changes now? [y/n] [n] n
Use 'brsig hup' to force bridged(8) to re-read the configuration file.
#
```

Remarks: The data from `bridge_group bg0` (used in Section 5.1.4.2, "SP Switch - FDDI Connection with Bridging" on page 179) was commented out for our convenience. Up to 16 bridge groups are allowed on a GRF

Router, so there was no technical reason for it. The `:wq!` in the screen shot is there to remind you how to end editing of the file, and we give an `n` (no) as answer to the last question, as the ATM ports are already in use and therefore cannot be modified. So we need to `reboot` the GRF, and this takes care of the relevant settings anyway. See Section 4.6.9.3, “Editing Utility – Bredit” on page 146 for more information.

2. The following changes need to be applied to `/etc/grifconfig.conf`:

```
#ga010 10.1.1.1      255.255.255.0  -      mtu 9180
#ga0180 10.1.2.1     255.255.255.0  -      mtu 9180
bg1     10.1.1.1      255.255.255.0  -      mtu 9180
```

Remarks: The data for the `ga010` and `ga0180` interface needs to be commented out and the line for `bg1 bridge_group` needs to be put in. The netmask entry is mandatory for `bridge_group` entries.

3. Finally, bridging requires these entries in the `/etc/gratm.conf` file:

```
Traffic_Shape name=high_speed_high_quality \
peak=155000 sustain=155000 burst=2048 qos=high
```

This entry remains the same as in the basic configuration:

```
Interface ga010 traffic_shape=high_speed_high_quality \
bridge_method=llc_encapsulated
Interface ga0180 traffic_shape=high_speed_high_quality \
bridge_method=llc_encapsulated
```

These two lines were changed from the basic configuration!

```
PVC ga010 0/132 proto=llc,bridging
PVC ga0180 0/134 proto=llc,bridging
```

Because the GRF supports inverse ATM ARP (InATMARP), there is no need to put any entries in `/etc/grarp.conf`.

The file `/etc/grroute.conf` also remains unchanged:

```
192.168.13.0      255.255.255.0  10.1.1.2
```

If there is no such entry in `/etc/grroute.conf`, the following command must be run on GRF 1600:

```
route add -net 192.168.13.0 -netmask 255.255.255.0 -mtu 9180 10.1.1.2
```

Now it is time to look at the GRF 400:

1. The following screen shot gives you the minimum required data to be put into /etc/bridged.conf:

```
# bredit
Could not find default config file '/etc/bridged.conf'.
This seems to be the first time bridged is being configured.
Do you want to use the template configuration file ? [y/n] [n] y
G
bridge_group bg1 (
    port ga020 ga0280;
);

:wq!
/tmp/bridged.conf.2371: 7 lines, 101 characters.
Update /etc/bridged.conf with these changes? [y/n] [n] y
Parsed file "/tmp/bridged.conf.2371" successfully.
Changes committed.
Use grwrite(8) to make the changes permanent.
Signal bridged to effect changes now? [y/n] [n] n
Use 'brsig hup' to force bridged(8) to re-read the configuration file.
#
```

Remarks: On the GRF 400, bridging was never defined before, so we have to create /etc/bridged.conf from a template. Just jump to the end of the template and type in the data. The :wq! is there to remind you how to end editing of the file. We give an n (no) as answer to the last question, as the ATM ports are already in use and therefore cannot be modified. So we need to reboot the GRF, and takes care of the relevant settings anyway.

2. The following changes need to be applied to /etc/grifconfig.conf:

```
#ga020 10.1.1.2      255.255.255.0  -      mtu 9180
#ga0280 10.1.2.2      255.255.255.0  10.1.2.1
bg1    10.1.1.2      255.255.255.0  -      mtu 9180
```

Remarks: The data for the ga020 and ga0280 interface needs to be commented out and the line for bg1 bridge_group needs to be put in. The netmask entry is mandatory for bridge_group entries.

3. Finally, bridging requires four entries in the /etc/gratm.conf file:

```
Traffic_Shape name=high_speed_high_quality \
    peak=155000 sustain=155000 burst=2048 qos=high
```

This following entries remains the same as is the basic configuration:

```
Interface ga020 traffic_shape=high_speed_high_quality \
    bridge_method=llc_encapsulated
Interface ga0280 traffic_shape=high_speed_high_quality \
    bridge_method=llc_encapsulated
```

This two lines were changed from the basic configuration!

```
PVC ga020 0/132 proto=llc,bridging
PVC ga0280 0/134 proto=llc,bridging
```

Because the GRF supports InATMARP, there is no need to have any entries in /etc/grarp.conf.

The file /etc/grroute.conf also remains unchanged:

```
192.168.14.0          255.255.255.0    10.1.1.1
```

If there is no such entry in /etc/grroute.conf, the following command must be run on GRF 400 after every reboot:

```
route add -net 192.168.14.0 -netmask 255.255.255.0 -mtu 9180 10.1.1.1
```

We chose to have the IP address of the bg1 "interface" the same as the respective ATM port0 interface before, so there was no need to change any routes on the SP2 or SP21 nodes.

Check for correct routing entry on all nodes in SP21:

```
root@sp21cw0:/ dsh -a netstat -rn | grep 192.168.13
sp21n01: 192.168.13/24    192.168.14.4    UG      1  1020086  css0  9180  -
sp21n05: 192.168.13/24    192.168.14.4    UG      0   12456  css0  9180  -
sp21n06: 192.168.13/24    192.168.14.4    UG      0     15  css0  9180  -
sp21n07: 192.168.13/24    192.168.14.4    UG      0  731470  css0  9180  -
sp21n08: 192.168.13/24    192.168.14.4    UG      0     0  css0  9180  -
sp21n09: 192.168.13/24    192.168.14.4    UG      0 1533484  css0  9180  -
sp21n10: 192.168.13/24    192.168.14.4    UG      0  643863  css0  9180  -
sp21n11: 192.168.13/24    192.168.14.4    UG      0 1460254  css0  9180  -
sp21n13: 192.168.13/24    192.168.14.4    UGc     0     0  css0  9180  -
sp21n15: 192.168.13/24    192.168.14.4    UGc     0     0  css0  9180  -
root@sp21cw0:/
```

Check for correct routing entry on all nodes in SP2:

```

root@sp2cw0:/ dsh -a netstat -rn | grep 192.168.14
sp2n01: 192.168.14/24    192.168.13.4    UG    0 1099887 css0 9180 -
sp2n05: 192.168.14/24    192.168.13.4    UG    0 1299484 css0 9180 -
sp2n06: 192.168.14/24    192.168.13.4    UG    0 352513  css0 9180 -
sp2n07: 192.168.14/24    192.168.13.4    UG    0 999147  css0 9180 -
sp2n08: 192.168.14/24    192.168.13.4    UG    0 146784  css0 9180 -
sp2n09: 192.168.14/24    192.168.13.4    UG    0 355671  css0 9180 -
sp2n10: 192.168.14/24    192.168.13.4    UG    0 879759  css0 9180 -
sp2n11: 192.168.14/24    192.168.13.4    UG    0 1026871 css0 9180 -
sp2n12: 192.168.14/24    192.168.13.4    UG    0 1099748 css0 9180 -
sp2n13: 192.168.14/24    192.168.13.4    UG    0 340367  css0 9180 -
sp2n14: 192.168.14/24    192.168.13.4    UG    0 347869  css0 9180 -
sp2n15: 192.168.14/24    192.168.13.4    UG    0 351648  css0 9180 -
root@sp2cw0:/

```

Issue some `ping` commands to check the connection:

On the SP21 nodes, `ping` the SP Switch interface of nodes in SP2, on nodes in SP2 `ping` the SP Switch interface of nodes in SP21.

If these `ping` commands fail, check routing settings again. If everything is as it should be, try to `ping` the SP Switch Router ATM media card or the SP Switch Router Adapter card, to find the failing part:

`ping 192.168.14.4` (on SP21 processor nodes)

`ping 192.168.13.4` (on SP2 processor nodes)

`ping 10.1.1.1` and `ping 10.1.1.2` (on both GRF 400 and GRF 1600)

If any errors occur, check cabling, the configuration of the SP Switch Router media cards (see Section 3.7, “Step-by-Step Media Card Configuration” on page 86 and Section 4.2, “ATM OC-3c Configuration” on page 110) and the Switch adapters in the SP nodes.

Performance:

To get a rough overview of the data transfer rates that can be achieved in this scenario, the following test was performed:

1. We used `ftp` to conduct several file transfers of a 300 MB file from the nodes in SP2 to one chosen node in SP21, and at the same time used `ftp` to conduct several file transfers of a 300 MB file from the nodes in SP21 to a chosen node in SP2. We sent the files to `/dev/null` on the receiving nodes to eliminate any hard disk influence:

We saw up to about 14.5 MB/s with just one side sending data; with all nodes sending and receiving, we achieved a duplex throughput of no more than 24 MB/s over the ATM ports.

So what happened to the expected doubling of the aggregate throughput?
As it turns out, even with bridging activated, only one ATM port is allowed to send and receive data. The second port is blocked, as can be seen in the following screen shot:

```
grf16:/root brstat
Bridge Group bg1
Spanning Tree: Enabled
Designated Root: 32768 00:c0:80:84:8c:eb
Bridge ID: 32768 00:c0:80:96:38:68

Root Port: ga010, Root Path Cost: 10
Topology Change Detected: No
Root Max Age: 20, Hello Time: 2, Forward Delay: 15
Bridge Max Age: 20, Hello Time: 2, Forward Delay: 15, Hold Time: 1

Interface Port ID Con State Path Desig Desig Desig
-----
*ga010 128 1 Yes Forwarding 10 0 32768 00:c0:80:84:8c:eb 128 1
ga0180 128 2 Yes Blocking 10 0 32768 00:c0:80:84:8c:eb 128 2

Dump snapshot finished at Mon Jun 15 20:01:33 1998
```

This bridging environment is useful, nevertheless. It provides an inherent redundancy and failover mechanism. When port 0 is unplugged, the up-to-then blocked port 1 gets activated and takes over the traffic with a delay of about 10 seconds. With port 1 having the same IP address, this is fully transparent to any clients.

See the next screen shot for details:

```

grf16:/root brstat
Bridge Group bg1
Spanning Tree: Enabled
Designated Root: 32768 00:c0:80:84:8c:eb
Bridge ID: 32768 00:c0:80:96:38:68

Root Port: ga0180, Root Path Cost: 10
Topology Change Detected: No
Root Max Age: 20, Hello Time: 2, Forward Delay: 15
Bridge Max Age: 20, Hello Time: 2, Forward Delay: 15, Hold Time: 1

Interface Port ID Con State Path Desig Desig Desig
-----
Cost Cost Bridge Port
-----
ga010 128 1 No Disabled 10
*ga0180 128 2 Yes Forwarding 10 0 32768 00:c0:80:84:8c:eb 128 2

Dump snapshot finished at Mon Jun 15 20:01:51 1998

```

When port 0 is plugged in again, it resumes and takes over port 1, which in turn falls back to the blocked state, as the following screen shot proves:

```

grf16:/root brstat
Bridge Group bg1
Spanning Tree: Enabled
Designated Root: 32768 00:c0:80:84:8c:eb
Bridge ID: 32768 00:c0:80:96:38:68

Root Port: ga010, Root Path Cost: 10
Topology Change Detected: No
Root Max Age: 20, Hello Time: 2, Forward Delay: 15
Bridge Max Age: 20, Hello Time: 2, Forward Delay: 15, Hold Time: 1

Interface Port ID Con State Path Desig Desig Desig
-----
Cost Cost Bridge Port
-----
*ga010 128 1 Yes Forwarding 10 0 32768 00:c0:80:84:8c:eb 128 1
ga0180 128 2 Yes Blocking 10 0 32768 00:c0:80:84:8c:eb 128 2

Dump snapshot finished at Mon Jun 15 20:02:03 1998

```

We expect this to happen also with the one-ported ATM OC-12c 622Mbit media card, so if two of them are put into a bridging group, this could be a fault tolerant scenario.

7.2 ATM OC-12c Backbone - One Port

This setup is basically the same as using just one port of an ATM OC-3c card, as described in Section 7.1.1, "ATM OC-3c Backbone - Using One Port" on page 210.

Configuration assumptions:

- The SP Switch Router ATM media card has been installed according to Section 4.3, "ATM OC-12c Configuration" on page 119 on both GRF routers and works properly.
- The SP Switch Router Adapter card has been installed according to Section 3.7, "Step-by-Step Media Card Configuration" on page 86 on both GRF routers and works properly.
- The SP Switch Router Adapter card and SP processor node Switch adapters are in the same IP subnet on the respective SP.
- ARP should be enabled on the SP Switch network to provide the most flexibility in assigning IP addresses (strongly recommended!).
- If ARP is disabled on the SP Switch network, the IP addresses assigned to the nodes must be determined by the switch node numbers.

Note: The SP Switch Router Adapter card will not properly forward IP data to nodes assigned with an IP address that is in another subnet.

Configuration:

In this scenario, we have the SP Switch of SP21 connected to the GRF 1600. The GRF 1600 has its ATM OC-12c media card's port 00 connected to the GRF 400 ATM OC-12c media card's port 00. The GRF 400 in turn is attached to the SP Switch of SP2, as shown in Figure 70 and Table 25 on page 224. The netmask on all interfaces is 255.255.255.0.

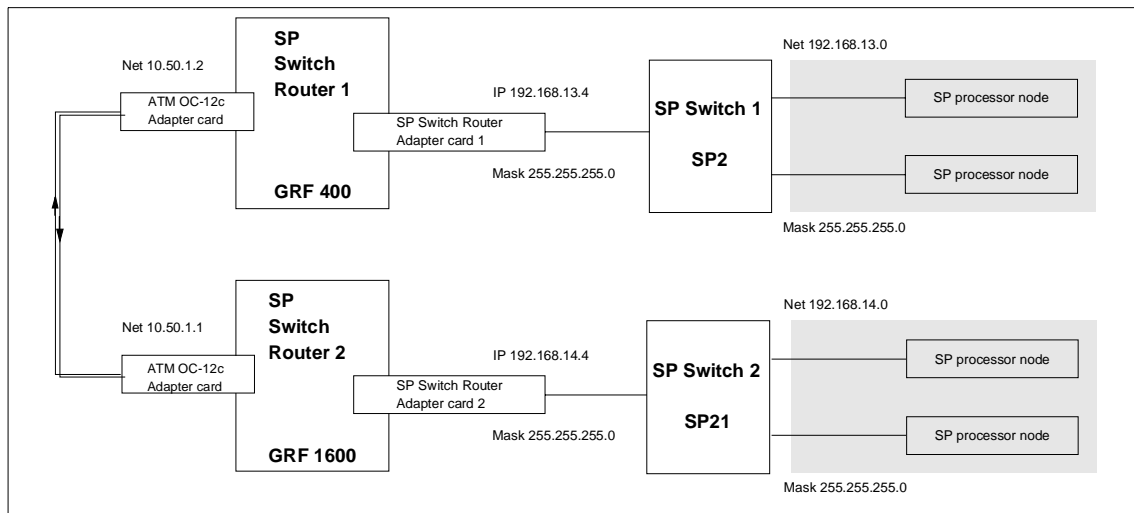


Figure 70. SP Switch - ATM OC-12c - SP Switch Connection

Table 25 shows the IP addresses used in our configuration.

Table 25. Configuration of SP Switch - ATM OC-12c - SP Switch

Adapter	IP Address
SP Switch Router Adapter card 1	192.168.13.4
SP Switch Router ATM media card (port 00) in GRF 400	10.20.30.2
SP Switch Router ATM media card (port 00) in GRF 1600	10.20.30.1
SP Switch Router Adapter card 2	192.168.14.4

To successfully run this configuration, on every SP Switch Router a route to the distant SP Switch network has to be set. On the nodes of SP2 and SP21, respectively, routes to the nodes of the distant SP have to be set.

The media card adapters on the GRF routers should already be up and running (according to Section 3.7, "Step-by-Step Media Card Configuration" on page 86 and Section 4.3, "ATM OC-12c Configuration" on page 119). The important settings are repeated here, nevertheless, to be on the safe side:

- On the GRF 1600 (ATM card in slot 2, SP Switch card in slot 3):
 1. The file `/etc/gratm.conf` needs the configuration statements for the port used:

```
Traffic_Shape name=bigg_speed_high_quality \  
    peak=622000 sustain=622000 burst=2048 qos=high  
Interface ga020 traffic_shape=bigg_speed_high_quality  
PVC ga020 0/132 proto=ip traffic_shape=bigg_speed_high_quality
```

2. The file `/etc/grifconfig.conf` has the following entries:

```
gt030 192.168.14.4 255.255.255.0 - mtu 65520  
ga020 10.20.30.1 255.255.255.0 - mtu 9180
```

3. The file `/etc/grroute.conf` has the following line:

```
192.168.13.0 255.255.255.0 10.20.30.2
```

This sets the correct route to the other SP Switch network over the ATM OC-12c interface automatically; of course, this route could also be set manually every time the GRF is rebooted.

4. The SP Switch Router Adapter card is connected to the SP Switch and configured, too. Check with `SDRGetObjects switch_responds` on the CWS and use `Eunfence` if needed.
- On the GRF 400 (ATM card in slot 1, SP Switch card in slot 3):

1. The file `/etc/gratm.conf` needs the configuration statements for the port used:

```
Traffic_Shape name=bigg_speed_high_quality \  
    peak=622000 sustain=622000 burst=2048 qos=high  
Interface ga010 traffic_shape=bigg_speed_high_quality  
PVC ga010 0/132 proto=ip traffic_shape=bigg_speed_high_quality
```

2. The file `/etc/grifconfig.conf` has the following entries:

```
gt030 192.168.13.4 255.255.255.0 - mtu 65520  
ga010 10.20.30.2 255.255.255.0 - mtu 9180
```

3. The file `/etc/grroute.conf` has the following line:

```
192.168.14.0 255.255.255.0 10.20.30.1
```

This sets the correct route to the other SP Switch network over the ATM OC-12c interface automatically; of course, this route could also be set manually every time the GRF is rebooted.

4. The SP Switch Router Adapter card is connected to the SP Switch and configured, too. Check with `SDRGetObjects switch_responds` on the CWS and use `Eunfence` if needed.

2. On the nodes in SP21 the following route needs to be set:

```
route add -net 192.168.13 -netmask 255.255.255.0 -mtu 9180 \  
192.168.14.4
```

3. On the nodes in SP2 the following route needs to be set:

```
route add -net 192.168.14 -netmask 255.255.255.0 -mtu 9180 \  
192.168.13.4
```

To avoid any pitfalls, set the MTU size explicitly to the size of the ATM adapter.

Hint: You *must not* use SMIT to set this route and put it into the ODM. The SP Switch is not operational at the time this route would be set during boot time. Therefore, this route would be put onto another, already available network interface, for example, the Control Ethernet, and this is definitely not what you want to happen.

Use a separate `/etc/rc.routes` shell script that is run only after an `Estart` or an `Eunfence` was issued, or use some other mechanisms to have this route set only after the `css0` interfaces on the SP nodes are up and running.

Setup is done now, and every node in SP2 should now be able to `ping` every node in SP21 and vice versa.

4. Check for correct routing entries on all nodes in SP21:

```

root@sp21cw0:/ dsh -a netstat -rn | grep 192.168.13
sp21n01: 192.168.13/24    192.168.14.4    UG      1  1020086  css0  9180  -
sp21n05: 192.168.13/24    192.168.14.4    UG      0   12456  css0  9180  -
sp21n06: 192.168.13/24    192.168.14.4    UG      0     15  css0  9180  -
sp21n07: 192.168.13/24    192.168.14.4    UG      0  731470  css0  9180  -
sp21n08: 192.168.13/24    192.168.14.4    UG      0     0  css0  9180  -
sp21n09: 192.168.13/24    192.168.14.4    UG      0 1533484  css0  9180  -
sp21n10: 192.168.13/24    192.168.14.4    UG      0  643863  css0  9180  -
sp21n11: 192.168.13/24    192.168.14.4    UG      0 1460254  css0  9180  -
sp21n13: 192.168.13/24    192.168.14.4    UGc     0     0  css0  9180  -
sp21n15: 192.168.13/24    192.168.14.4    UGc     0     0  css0  9180  -
root@sp21cw0:/

```

5. Check for correct routing entries on all nodes in SP2:

```

root@sp2cw0:/ dsh -a netstat -rn | grep 192.168.14
sp2n01: 192.168.14/24    192.168.13.4    UG      0 1099887  css0  9180  -
sp2n05: 192.168.14/24    192.168.13.4    UG      0 1299484  css0  9180  -
sp2n06: 192.168.14/24    192.168.13.4    UG      0  352513  css0  9180  -
sp2n07: 192.168.14/24    192.168.13.4    UG      0  999147  css0  9180  -
sp2n08: 192.168.14/24    192.168.13.4    UG      0 146784  css0  9180  -
sp2n09: 192.168.14/24    192.168.13.4    UG      0  355671  css0  9180  -
sp2n10: 192.168.14/24    192.168.13.4    UG      0  879759  css0  9180  -
sp2n11: 192.168.14/24    192.168.13.4    UG      0 1026871  css0  9180  -
sp2n12: 192.168.14/24    192.168.13.4    UG      0 1099748  css0  9180  -
sp2n13: 192.168.14/24    192.168.13.4    UG      0  340367  css0  9180  -
sp2n14: 192.168.14/24    192.168.13.4    UG      0  347869  css0  9180  -
sp2n15: 192.168.14/24    192.168.13.4    UG      0  351648  css0  9180  -
root@sp2cw0:/

```

6. Issue some ping commands to check the connection:

On the SP21 nodes, ping the SP Switch interface of nodes in SP2; on nodes in SP2 ping the SP Switch interface of nodes in SP21.

If these ping commands fail, check routing settings again. If everything is as it should be, try to ping the SP Switch Router ATM media card or the SP Switch Router Adapter card to find the failing part:

ping 192.168.14.4 (on SP21 processor nodes)

ping 192.168.13.4 (on SP2 processor nodes)

ping 10.20.30.1 and ping 10.20.30.2 (on both GRF 400 and GRF 1600)

If any errors occur, check cabling, the configuration of the SP Switch Router media cards (see Section 3.7, "Step-by-Step Media Card Configuration" on page 86 and Section 4.3, "ATM OC-12c Configuration" on page 119) and the Switch adapters in the SP nodes.

Performance:

To get a rough overview of the data transfer rates that can be achieved in this scenario, the following test was performed:

1. We used ftp to conduct several file transfers of a 300 MB file from the nodes in SP2 to one chosen node in SP21, and at the same time used ftp to conduct several file transfers of a 300 MB file from the nodes in SP21 to a chosen node in SP2. We sent the files to /dev/null on the receiving node to eliminate any hard disk influence.

We saw up to about 44.5 MB/s with just one side sending data. With all nodes sending and receiving, we achieved a duplex throughput of about 64 MB/s on the ATM port.

Although this is far from the theoretical maximum throughput an ATM OC-12c adapter can provide, it turns out that a 622 Mb/s link between two SP Switch Routers will be a viable solution.

7.3 HIPPI Backbone Connection

With a nominal speed of 100 MB/s duplex, connecting two GRFs with HIPPI media cards seems the fastest choice. But then, HIPPI cables are limited to a length of 25m (Ascend provides and guarantees 50m cables).

Below are the steps to set up the HIPPI backbone connection with two GRF routers.

Configuration assumptions:

- The SP Switch Router HIPPI media card has been installed according to Section 4.5, "HIPPI Configuration" on page 133 on both GRF routers, and works properly.
- The SP Switch Router Adapter card has been installed according to Section 3.7, "Step-by-Step Media Card Configuration" on page 86 on both GRF routers, and works properly.
- The SP Switch Router Adapter card and SP processor node Switch adapters are in the same IP subnet on the respective SP.
- ARP should be enabled on the SP Switch network to provide the most flexibility in assigning IP addresses (strongly recommended!).
- If ARP is disabled on the SP Switch network, the IP addresses assigned to the nodes must be determined by the switch node numbers.

Note: The SP Switch Router Adapter card will not properly forward IP data to nodes assigned with an IP address that is in another subnet.

Configuration:

In this scenario, we have the SP Switch of SP21 connected to an GRF 1600. The GRF 1600 has its HIPPI media card's ports cross-connected to the GRF 400 HIPPI media card's ports. That means that on both sides DESTINATION is cabled to SOURCE. The GRF 400 in turn is attached to the SP Switch of SP2, as shown in Figure 71 and Table 26. The netmask for all interfaces is 255.255.255.0.

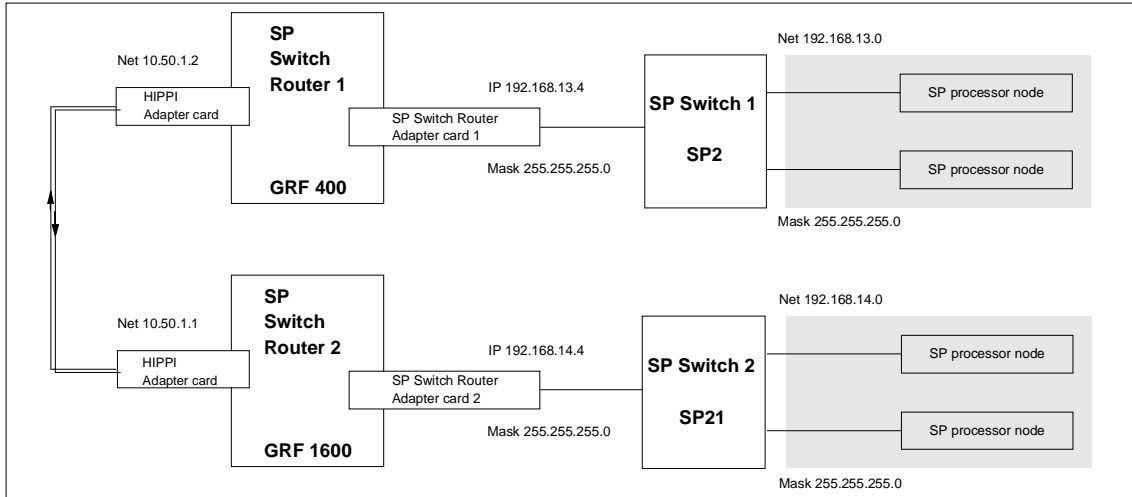


Figure 71. SP Switch - HIPPI - SP Switch Connection

Table 26 shows the IP addresses used in our configuration.

Table 26. Configuration of SP Switch - HIPPI - SP Switch

Adapter	IP Address
SP Switch Router Adapter card 1	192.168.13.4
SP Switch Router HIPPI media card in GRF 400	10.50.1.2
SP Switch Router HIPPI media card in GRF 1600	10.50.1.1
SP Switch Router Adapter card 2	192.168.14.4

To successfully run this configuration, a route to the distant SP Switch network has to be set on every SP Switch Router. On the nodes of SP2 and SP21, respectively, routes to the nodes of the distant SP have to be set.

The media card adapters on the GRF routers should already be up and running (according to Section 3.7, "Step-by-Step Media Card Configuration" on page 86 and Section 4.5, "HIPPI Configuration" on page 133). Important settings are repeated here, nevertheless, to be on the safe side:

On the GRF 1600 (HIPPI card is in slot 8, SP Switch card is in slot 3) check for the following:

1. The file `/etc/grifconfig.conf` has the following entries:

```
gh080  10.50.1.1      255.255.255.0  -      mtu 65280
gt030  192.168.14.4     255.255.255.0  -      mtu 65520
```

2. The file `/etc/grlamap.conf` has the following entry (note that '0x40' is a hexadecimal value equivalent to 64 decimal):

```
*      0xfc0  0x40  # default mapping of IP for all portcards
```

3. The file `/etc/grarp.conf` has the following entry (I-field):

```
gh080  10.50.1.2      0x03666fc0
```

4. The file `/etc/grroute.conf` has the following line:

```
192.168.13.0      255.255.255.0  10.50.1.2
```

This sets the correct route to the other SP Switch network over the HIPPI interface automatically; of course, this route can also be set manually every time the GRF is rebooted.

5. The SP Switch Router Adapter card is connected to the SP Switch and configured. Check with `SDRGetObjects switch_responds` on the CWS and use `Eunfence` if needed.

On the GRF 400 (HIPPI card is in slot 0, SP Switch card is in slot 1):

1. The file `/etc/grifconfig.conf` has the following entries:

```
gh000  10.50.1.2      255.255.255.0  -      mtu 65280
gt010  192.168.13.4   255.255.255.0  -      mtu 65520
```

2. The file `/etc/grlamap.conf` has the following entry:

```
*      0xfc0  0x40  # default mapping of IP for all portcards
```

3. The file `/etc/grarp.conf` has the following entry (I-field):

```
gh000  10.50.1.1      0x03555fc0
```

4. The file `/etc/grroute.conf` has the following line:

```
192.168.14.0      255.255.255.0  10.50.1.1
```

This sets the correct route to the other SP Switch network over the ATM interface automatically; of course, this route could also be set manually every time the GRF is rebooted.

5. The SP Switch Router Adapter card is connected to the SP Switch and configured. Check with `SDRGetObjects switch_responds` on the CWS and use `Eunfence` if needed.

The following tasks are performed on the respective SP nodes:

1. On the nodes in SP21, the following route needs to be set:

```
route add -net 192.168.13 -netmask 255.255.255.0 -mtu 65280 10.50.1.2
```

2. On the nodes in SP2, the following route needs to be set:

```
route add -net 192.168.14 -netmask 255.255.255.0 -mtu 65280 10.50.1.1
```

Hint: You *must not* use SMIT to set the routes and put them into the ODM. The SP Switch is not working when these routes are set, at boot time. Therefore, they are put onto another, already available network interface, for example the control Ethernet, and this is definitely not what you expect to happen.

Use a separate `/etc/rc.routes` shell script that is run only after an `Estart` or an `Eunfence` was issued, or use some other mechanisms to have this route set only after the `css0` interfaces on the SP nodes are up and running.

Setup is done now, and every node in SP2 should now be able to `ping` every node in SP21 and vice versa.

3. Check for correct routing entries on all nodes in SP21:

```
root@sp21en0:/ dsh netstat -rn | grep 192.168.13
sp21n01: 192.168.13/24    192.168.14.4      UG        5    717959  css0 65280  -
sp21n05: 192.168.13/24    192.168.14.4      UG        2    172837  css0 65280  -
sp21n06: 192.168.13/24    192.168.14.4      UG        0         0  css0 65280  -
sp21n07: 192.168.13/24    192.168.14.4      UG        2   141374  css0 65280  -
sp21n08: 192.168.13/24    192.168.14.4      UG        0         0  css0 65280  -
sp21n09: 192.168.13/24    192.168.14.4      UG        2     78305  css0 65280  -
sp21n10: 192.168.13/24    192.168.14.4      UG        0         0  css0 65280  -
sp21n11: 192.168.13/24    192.168.14.4      UG        0   202459  css0 65280  -
sp21n13: 192.168.13/24    192.168.14.4      UG        5   543370  css0 65280  -
sp21n15: 192.168.13/24    192.168.14.4      UG        1   384799  css0 65280  -
root@sp21en0:/
```

4. Check for correct routing entries on all nodes in SP2:


```

root@sp2en0:/ dsh netstat -rn | grep 192.168.14
sp2n01: 192.168.14/24    192.168.13.4    UG        6   575324  css0 65280  -
sp2n05: 192.168.14/24    192.168.13.4    UG        1   316772  css0 65280  -
sp2n06: 192.168.14/24    192.168.13.4    UG        0    77420  css0 65280  -
sp2n07: 192.168.14/24    192.168.13.4    UG        3   272682  css0 65280  -
sp2n08: 192.168.14/24    192.168.13.4    UG        1   237408  css0 65280  -
sp2n09: 192.168.14/24    192.168.13.4    UG        2   298665  css0 65280  -
sp2n10: 192.168.14/24    192.168.13.4    UG        4   367369  css0 65280  -
sp2n11: 192.168.14/24    192.168.13.4    UG        4   667058  css0 65280  -
sp2n12: 192.168.14/24    192.168.13.4    UG        1   423454  css0 65280  -
sp2n13: 192.168.14/24    192.168.13.4    UG        1   566707  css0 65280  -
sp2n14: 192.168.14/24    192.168.13.4    UG        0   196490  css0 65280  -
sp2n15: 192.168.14/24    192.168.13.4    UG        0         2  css0 65280  -
root@sp2en0:/

```

5. Issue some `ping` commands to check the connection:

On the SP21 nodes, `ping` the SP Switch interface of nodes in SP2; on nodes in SP2 `ping` the SP Switch interface of nodes in SP21.

If these `ping` commands fail, check routing settings again. If everything is as it should be, try to `ping` the SP Switch Router HIPPI media card or the SP Switch Router Adapter card to find the failing part:

`ping 192.168.14.4` (on SP21 processor nodes)

`ping 192.168.13.4` (on SP2 processor nodes)

`ping 10.50.1.1` and `ping 10.50.1.2` (on both the GRF 400 and the GRF 1600)

If any errors occur, check cabling, the configuration of SP Switch Router media cards (see Section 3.7, “Step-by-Step Media Card Configuration” on page 86 and Section 4.5, “HIPPI Configuration” on page 133) and SP Switch adapters in the SP nodes.

Note: Both HIPPI media cards must be online and cabled, or `ping` will not succeed.

Performance:

To get a rough overview of the data transfer rates that can be achieved in this scenario, the following test was performed:

1. We used `ftp` to conduct several file transfers of a 300 MB file from the nodes in SP2 to one chosen node in SP21, and at the same time used `ftp` to conduct several file transfers of a 300 MB file from the nodes in SP21 to a chosen node in SP2. We sent the files to `/dev/null` on the receiving node to eliminate any hard disk influence.

We saw up to about 48 MB/s with just one side sending data. With all nodes sending and receiving, we achieved a duplex throughput of about 54 MB/s on the HIPPI port.

Appendix A. Laboratory Hardware and Software Configuration

This appendix contains a detailed description of the hardware and software configuration used to test scenarios described in the second part of this redbook. All hostnames, IP addresses, adapters and other configuration information mentioned there refer to the following section if no other information is given.

A.1 Node and Control Workstation Configuration

This section describes the basic node and CWS configuration used to establish the scenarios.

Table 27 on page 234 and Table 28 on page 235 contain a summary of all nodes in both RS/6000 SPs, their types, hostnames, built-in adapters, and generally used IP addresses. If other IP addresses were applied in some scenarios, they are mentioned in the corresponding chapter.

Table 27. Configuration of SP 21

Node	Node Type	Hostname	Adapter	IP address
Node0 (CWS)	RS/6000 570	sp21en0	ent0 tok0	192.168.4.137 9.12.1.137
Node 1	high node 112 Mhz,6 proc.	sp21n01	ent0 css0	192.168.4.1 192.168.14.1
Node 5	thin node 66 MHz	sp21n05	ent0 css0	192.168.4.5 192.168.14.5
Node 6	thin node 66 MHz	sp21n06	ent0 css0	192.168.4.6 192.168.14.6
Node 7	thin node 66 MHz	sp21n07	ent0 css0	192.168.4.7 192.168.14.7
Node 8	thin node 66 MHz	sp21n08	ent0 css0	192.168.4.8 192.168.14.8
Node 9	thin node 66 MHz	sp21n09	ent0 css0	192.168.4.9 192.168.14.9
Node 10	thin node 66 MHz	sp21n10	ent0 css0	192.168.4.10 192.168.14.10
Node 11	wide node 66 MHz	sp21n11	ent0 css0	192.168.4.11 192.168.14.11
Node 13	wide node 66 MHz	sp21n13	ent0 css0	192.168.4.13 192.168.14.13
Node 15	wide node 66 MHz	sp21n15	ent0 css0	192.168.4.15 192.168.14.15

Table 28. Configuration of SP 2

Node	Node Type	Hostname	Adapter	IP address
Node0 (CWS)	RS/6000 590	sp2en0	ent0 tok0	192.168.3.37 9.12.1.37
Node1	high node 112 MHz, 8 proc.	sp2n01	ent0 css0	192.168.3.1 192.168.13.1
Node5	thin node 66 MHz	sp2n05	ent0 css0	192.168.3.5 192.168.13.5
Node6	thin node 66 MHz	sp2n06	ent0 css0	192.168.3.6 192.168.13.6
Node7	thin node 66 MHz	sp2n07	ent0 css0	192.168.3.7 192.168.13.7
Node8	thin node 66 MHz	sp2n08	ent0 css0	192.168.3.8 192.168.13.8
Node9	thin node 66 MHz	sp2n09	ent0 css0	192.168.3.9 192.168.13.9
Node10	thin node 66MHz	sp2n10	ent0 css0	192.168.3.10 192.168.13.10
Node11	thin node 66MHz	sp2n11	ent0 css0	192.168.3.11 192.168.13.11
Node12	thin node 66 MHz	sp2n12	ent0 css0	192.168.3.12 192.168.13.12
Node13	thin node 66 MHz	sp2n13	ent0 css0	192.168.3.13 192.168.13.13
Node14	thin node 66 MHz	sp2n14	ent0 css0	192.168.3.14 192.168.13.14
Node15	wide node 66 MHz	sp2n15	ent0 css0	192.168.3.15 192.168.13.15

A.1.1 Hard Disks

All nodes and CWSs include one or more internal SCSI disks. Some nodes are additionally equipped with SSA disks (Table 29 on page 236). For special tests (Section 5.1.5, "SP Switch - FDDI Connection in an ADSM Environment" on page 185) some 9333 Serial Optical Link disks were connected to

selected nodes. Refer to the scenario descriptions in second part of this redbook to see which disks were used.

Table 29. Hard Disk Equipment of SP 21

Node	Disks	Description
Node (CWS)	hdisk0 hdisk1 hdisk2 hdisk3	1.2 GB SCSI Disk Drive 1.2 GB SCSI Disk Drive 1.0 GB SCSI Disk Drive 1.0 GB SCSI Disk Drive
Node 1	hdisk0 hdisk1	2.2 GB SCSI Disk Drive 2.2 GB SCSI Disk Drive
Node 5	hdisk0	1.0 GB SCSI Disk Drive
Node 6	hdisk0	1.0 GB SCSI Disk Drive
Node 7	hdisk0	1.0 GB SCSI Disk Drive
Node 8	hdisk0	1.0 GB SCSI Disk Drive
Node 9	hdisk0 hdisk1	1.0 GB SCSI Disk Drive 1.0 GB SCSI Disk Drive
Node 10	hdisk0 hdisk1	1.0 GB SCSI Disk Drive 1.0 GB SCSI Disk Drive
Node 11	hdisk0 hdisk1 hdisk2 hdisk3 hdisk4	2.0 GB SCSI Disk Drive 2.0 GB SCSI Disk Drive 2.0GB Serial-Link Disk Drive 2.0GB Serial-Link Disk Drive 2.0GB Serial-Link Disk Drive
Node 13	hdisk0 hdisk1 hdisk2 hdisk3 hdisk4	2.0 GB SCSI Disk Drive 2.0 GB SCSI Disk Drive 2.0GB Serial-Link Disk Drive 2.0GB Serial-Link Disk Drive 2.0GB Serial-Link Disk Drive
Node 15	hdisk0 hdisk1 hdisk2 hdisk3 hdisk4	2.0 GB SCSI Disk Drive 2.0 GB SCSI Disk Drive 2.0GB Serial-Link Disk Drive 2.0GB Serial-Link Disk Drive 2.0GB Serial-Link Disk Drive

Table 30. Hard Disk Equipment of SP 2 Part 1 of 2

Node	Disks	Description
Node0 (CWS)	hdisk0 hdisk1 hdisk2 hdisk3 hdisk4 hdisk5	2.0 GB SCSI Disk Drive 2.0 GB SCSI Disk Drive 2.0 GB SCSI Disk Drive 2.0 GB SCSI Disk Drive 1.0 GB SCSI Disk Drive 1.0 GB SCSI Disk Drive
Node1	hdisk0 hdisk1	2.2 GB SCSI Disk Drive 2.2 GB SCSI Disk Drive
Node5	hdisk0 hdisk1 hdisk2 hdisk3 hdisk4 hdisk5 hdisk6	1.0 GB SCSI Disk Drive 1.0 GB SCSI Disk Drive 7135 Disk Array Device 7135 Disk Array Device 7135 Disk Array Device 7135 Disk Array Device 7135 Disk Array Device
Node6	hdisk0 hdisk1	1.0 GB SCSI Disk Drive 1.0 GB SCSI Disk Drive
Node7	hdisk0 hdisk1	1.0 GB SCSI Disk Drive 1.0 GB SCSI Disk Drive
Node8	hdisk0 hdisk1	1.0 GB SCSI Disk Drive 1.0 GB SCSI Disk Drive
Node9	hdisk0 hdisk1	1.0 GB SCSI Disk Drive 1.0 GB SCSI Disk Drive
Node10	hdisk0 hdisk1	1.0 GB SCSI Disk Drive 1.0 GB SCSI Disk Drive
Node11	hdisk0 hdisk1 hdisk2 hdisk3 hdisk4 hdisk5	1.0 GB SCSI Disk Drive 1.0 GB SCSI Disk Drive SSA Logical Disk Drive SSA Logical Disk Drive SSA Logical Disk Drive SSA Logical Disk Drive
Node12	hdisk0 hdisk1 hdisk2 hdisk3 hdisk4 hdisk5	1.0 GB SCSI Disk Drive 1.0 GB SCSI Disk Drive SSA Logical Disk Drive SSA Logical Disk Drive SSA Logical Disk Drive SSA Logical Disk Drive

Table 31. Hard Disk Equipment of SP 2 Part 2 of 2

Node	Disks	Description
Node13	hdisk0 hdisk1 hdisk2 hdisk3 hdisk4 hdisk5	1.0 GB SCSI Disk Drive 1.0 GB SCSI Disk Drive SSA Logical Disk Drive SSA Logical Disk Drive SSA Logical Disk Drive SSA Logical Disk Drive
Node14	hdisk0 hdisk1 hdisk2 hdisk3 hdisk4 hdisk5 hdisk6 hdisk7 hdisk8	1.0 GB SCSI Disk Drive 1.0 GB SCSI Disk Drive SSA Logical Disk Drive SSA Logical Disk Drive SSA Logical Disk Drive SSA Logical Disk Drive SSA Logical Disk Drive SSA Logical Disk Drive SSA Logical Disk Drive
Node15	hdisk0 hdisk1 hdisk2 hdisk3	2.0 GB SCSI Disk Drive 2.0 GB SCSI Disk Drive 2.0 GB SCSI Disk Drive 2.0 GB SCSI Disk Drive

A.1.2 Software Configuration

Both CWSs and every SP node are installed with AIX 4.3.1, including all fixes available on May 20th, 1998, and PSSP 2.4 PTF Set 1 (See Table 32).

Table 32. Software Levels on CWS and All Nodes Part 1 of 14

Fileset	Level	Description
Java.rte.bin	1.1.4.0	Java Runtime Environment Executables
Java.rte.classes	1.1.4.0	Java Runtime Environment Classes
Java.rte.lib	1.1.4.0	Java Runtime Environment Libraries
X11.Dt.ToolTalk	4.3.1.0	AIX CDE ToolTalk Support
X11.Dt.bitmaps	4.3.1.0	AIX CDE Bitmaps
X11.Dt.helpmin	4.3.1.0	AIX CDE Minimum Help Files
X11.Dt.helprun	4.3.1.0	AIX CDE Runtime Help
X11.Dt.lib	4.3.1.0	AIX CDE Runtime Libraries
X11.Dt.rte	4.3.1.0	AIX Common Desktop Environment (CDE) 1.0
X11.apps.aixterm	4.3.1.0	AIXwindows aixterm Application
X11.apps.clients	4.3.1.0	AIXwindows Client Applications
X11.apps.custom	4.3.1.0	AIXwindows Customizing Tool
X11.apps.msmit	4.3.1.0	AIXwindows msmit Application
X11.apps.pm	4.3.1.1	AIXwindows Power Management GUI Utility
X11.apps.rte	4.3.1.0	AIXwindows Runtime Configuration Applications
X11.apps.util	4.3.1.0	AIXwindows Utility Applications
X11.apps.xterm	4.3.1.0	AIXwindows xterm Application
X11.base.common	4.3.1.0	AIXwindows Runtime Common Directories
X11.base.lib	4.3.1.1	AIXwindows Runtime Libraries
X11.base.rte	4.3.1.1	AIXwindows Runtime Environment
X11.base.smt	4.3.1.0	AIXwindows Runtime Shared Memory Transport
X11.compat.adt.Motif12	4.3.1.0	AIXwindows Motif 1.2 Compatibility Development Toolkit
X11.compat.fnt.pc	4.3.0.0	AIXwindows PC850 Fonts Compatibility
X11.compat.lib.Motif10	4.3.0.0	AIXwindows Motif 1.0 Libraries Compatibility
X11.compat.lib.Motif114	4.3.0.0	AIXwindows Motif 1.1.4 Libraries Compatibility

Table 33. Software Levels on CWS and All Nodes Part 2 of 14

Fileset	Level	Description
X11.compat.lib.X11R3	4.3.0.0	AIXwindows X11R3 Libraries Compatibility
X11.compat.lib.X11R4	4.3.0.0	AIXwindows X11R4 Libraries Compatibility
X11.compat.lib.X11R5	4.3.1.1	AIXwindows X11R5 Compatibility Libraries
X11.fnt.coreX	4.3.0.0	AIXwindows X Consortium Fonts
X11.fnt.defaultFonts	4.3.0.0	AIXwindows Default Fonts
X11.fnt.iso1	4.3.0.0	AIXwindows Latin 1 Fonts
X11.fnt.iso_T1	4.3.0.0	AIXwindows Latin Type1 Fonts
X11.loc.en_US.Dt.rte	4.3.0.0	AIX CDE Locale Configuration - U.S. English
X11.loc.en_US.base.lib	4.3.0.0	AIXwindows Client Locale Config - U.S. English
X11.loc.en_US.base.rte	4.3.0.0	AIXwindows Locale Configuration - U.S. English
X11.motif.lib	4.3.1.0	AIXwindows Motif Libraries
X11.motif.mwm	4.3.1.0	AIXwindows Motif Window Manager
X11.msg.en_US.Dt.helpmin	4.3.0.0	AIX CDE Minimum Help Files - U.S. English
X11.msg.en_US.Dt.rte	4.3.0.0	AIX CDE Messages - U.S. English
X11.msg.en_US.apps.aixterm	4.3.0.0	AIXwindows aixterm Messages - U.S. English
X11.msg.en_US.apps.clients	4.3.0.0	AIXwindows Client Application Msgs - U.S. English
X11.msg.en_US.apps.custom	4.3.0.0	AIXwindows Customizing Tool Msgs - U.S. English
X11.msg.en_US.apps.pm	4.3.0.0	AIXwindows Power Mgmt GUI Msgs - U.S. English
X11.msg.en_US.apps.rte	4.3.0.0	AIXwindows Runtime Config Messages - U.S. English
X11.msg.en_US.base.common	4.3.0.0	AIXwindows Common Messages - U.S. English
X11.msg.en_US.base.rte	4.3.1.0	AIXwindows Runtime Env. Messages - U.S. English
X11.msg.en_US.motif.lib	4.3.0.0	AIXwindows Motif Libraries Messages - U.S. English
X11.msg.en_US.motif.mwm	4.3.0.0	AIXwindows Motif Window Mgr Msgs - U.S. English
X11.vsm.lib	4.3.1.0	Visual System Management Library
bos.acct	4.3.1.0	Accounting Services
bos.acct	4.3.1.0	Accounting Services
bos.adt.base	4.3.1.0	Base Application Development Toolkit
bos.adt.data	4.3.0.0	Base Application Development Toolkit Data
bos.adt.debug	4.3.1.1	Base Application Development Debuggers
bos.adt.graphics	4.3.1.0	Base Application Development Graphics Include Files

Table 34. Software Levels on CWS and All Nodes Part 3 of 14

Fileset	Level	Description
bos.adt.include	4.3.1.1	Base Application Development Include Files
bos.adt.lib	4.3.1.0	Base Application Development Libraries
bos.adt.libm	4.3.1.0	Base Application Development Math Library
bos.adt.prof	4.3.1.1	Base Profiling Support
bos.adt.prt_tools	4.3.0.0	Printer Support Development Toolkit
bos.adt.samples	4.3.1.0	Base Operating System Samples
bos.adt.sccs	4.3.1.0	SCCS Application Development Toolkit
bos.adt.syscalls	4.3.1.0	System Calls Application Development Toolkit
bos.adt.utils	4.3.1.0	Base Application Development Utilities - lex and yacc
bos.alt_disk_install.boot_images	4.3.1.0	Alternate Disk Installation Disk Boot Images
bos.alt_disk_install.rte	4.3.1.0	Alternate Disk Installation Runtime
bos.atm.atmle	4.3.1.0	ATM LAN Emulation Client Support
bos.compat.cmds	4.3.1.0	AIX 3.2 Compatibility Commands
bos.compat.links	4.3.1.0	AIX 3.2 to 4 Compatibility Links
bos.content_list	4.3.1.0	AIX Release Content List
bos.data	4.3.0.0	Base Operating System Data
bos.diag.com	4.3.1.0	Common Hardware Diagnostics
bos.diag.rte	4.3.1.0	Hardware Diagnostics
bos.diag.util	4.3.1.0	Hardware Diagnostics Utilities
bos.dlc.8023	4.3.1.1	IEEE Ethernet (802.3) Data Link Control
bos.dlc.com	4.3.1.0	Common Data Link Control Files
bos.dlc.com_enet	4.3.0.0	Common Ethernet Data Link Files
bos.dlc.ether	4.3.1.1	Standard Ethernet Data Link Control
bos.dlc.token	4.3.1.1	Token-Ring Data Link Control
bos.dosutil	4.3.1.0	DOS Utilities
bos.help.msg.en_US.com	4.3.1.0	WebSM/SMIT Context Helps - U.S. English
bos.help.msg.en_US.smit	4.3.1.0	SMIT Context Helps - U.S. English
bos.html.en_US.topnav.navigate	4.3.1.0	Top Level Navigation - U. S. English
bos.iconv.com	4.3.1.0	Common Language to Language Converters
bos.iconv.ucs.com	4.3.0.0	Unicode Base Converters for AIX Code Sets/Fonts

Table 35. Software Levels on CWS and All Nodes Part 4 of 14

Fileset	Level	Description
bos.loc.iso.en_US	4.3.1.0	Base System Locale ISO Code Set - U.S. English
bos.mh	4.3.1.1	Mail Handler
bos.msg.en_US.alt_disk_install.rte	4.3.0.0	Alternate Disk Install Msgs - U.S. English
bos.msg.en_US.diag.rte	4.3.1.0	Hardware Diagnostics Messages - U.S. English
bos.msg.en_US.net.tcp.client	4.3.1.0	TCP/IP Messages - U.S. English
bos.msg.en_US.rte	4.3.1.0	Base Operating System Runtime Msgs - U.S. English
bos.msg.en_US.sysmgt.nim.master_gui	4.3.0.0	NIM GUI Messages - U.S. English
bos.msg.en_US.txt.tfs	4.3.1.0	Text Formatting Services Messages - U.S. English
bos.net.ate	4.3.1.0	Asynchronous Terminal Emulator
bos.net.ncs	4.3.0.0	Network Computing System 1.5.1
bos.net.nfs.adt	4.3.0.0	Network File System Development Toolkit
bos.net.nfs.cachefs	4.3.1.1	CacheFS File System
bos.net.nfs.client	4.3.1.1	Network File System Client
bos.net.nfs.server	4.3.1.0	Network File System Server
bos.net.ppp	4.3.1.0	Async Point to Point Protocol
bos.net.tcp.adt	4.3.1.0	TCP/IP Application Toolkit
bos.net.tcp.client	4.3.1.1	TCP/IP Client Support
bos.net.tcp.server	4.3.1.1	TCP/IP Server
bos.net.tcp.smit	4.3.1.0	TCP/IP SMIT Support
bos.perf.diag_tool	4.3.1.0	Performance Diagnostic Tool
bos.perf.pmr	4.3.1.0	Performance PMR Data Collection Tool
bos.powermgt.rte	4.3.1.0	Power Management Runtime Software
bos.rte	4.3.1.0	Base Operating System Runtime
bos.rte.Dt	4.3.0.0	Desktop Integrator
bos.rte.ILS	4.3.1.0	International Language Support
bos.rte.SRC	4.3.1.0	System Resource Controller
bos.rte.X11	4.3.0.0	AIXwindows Device Support
bos.rte.aio	4.3.1.0	Asynchronous I/O Extension
bos.rte.archive	4.3.1.0	Archive Commands

Table 36. Software Levels on CWS and All Nodes Part 5 of 14

Fileset	Level	Description
bos.rte.bind_cmds	4.3.1.1	Binder and Loader Commands
bos.rte.boot	4.3.1.0	Boot Commands
bos.rte.bosinst	4.3.1.0	Base OS Install Commands
bos.rte.commands	4.3.1.1	Commands
bos.rte.compare	4.3.1.0	File Compare Commands
bos.rte.console	4.3.1.0	Console
bos.rte.control	4.3.1.1	System Control Commands
bos.rte.cron	4.3.1.1	Batch Operations
bos.rte.date	4.3.1.0	Date Control Commands
bos.rte.devices	4.3.1.0	Base Device Drivers
bos.rte.devices_msg	4.3.1.0	Device Driver Messages
bos.rte.diag	4.3.1.0	Diagnostics
bos.rte.edit	4.3.1.0	Editors
bos.rte.filesystem	4.3.1.0	Filesystem Administration
bos.rte.iconv	4.3.1.0	Language Converters
bos.rte.ifor_ls	4.3.1.0	iFOR/LS Libraries
bos.rte.im	4.3.1.0	Input Methods
bos.rte.install	4.3.1.1	LPP Install Commands
bos.rte.jfscomp	4.3.1.0	JFS Compression
bos.rte.libc	4.3.1.1	libc Library
bos.rte.libcfg	4.3.1.0	libcfg Library
bos.rte.libcur	4.3.1.0	libcurses Library
bos.rte.libdbm	4.3.1.0	libdbm Library
bos.rte.libnetvc	4.3.0.0	Network Services Libraries
bos.rte.libpthreads	4.3.1.1	libpthreads Library
bos.rte.libqb	4.3.1.0	libqb Library
bos.rte.libs	4.3.0.0	libs Library
bos.rte.loc	4.3.1.0	Base Locale Support
bos.rte.lvm	4.3.1.1	Logical Volume Manager
bos.rte.man	4.3.1.0	Man Commands

Table 37. Software Levels on CWS and All Nodes Part 6 of 14

Fileset	Level	Description
bos.rte.methods	4.3.1.0	Device Config Methods
bos.rte.misc_cmds	4.3.1.0	Miscellaneous Commands
bos.rte.net	4.3.1.0	Network
bos.rte.odm	4.3.1.0	Object Data Manager
bos.rte.printers	4.3.1.0	Front End Printer Support
bos.rte.security	4.3.1.0	Base Security Function
bos.rte.serv_aid	4.3.1.0	Error Log Service Aids
bos.rte.shell	4.3.1.1	Shells (bsh, ksh, csh)
bos.rte.streams	4.3.1.0	Streams Libraries
bos.rte.tty	4.3.1.0	Base TTY Support and Commands
bos.sysmgt.loginlic	4.3.1.0	License Management
bos.sysmgt.nim.client	4.3.1.1	Network Install Manager - Client Tools
bos.sysmgt.nim.master	4.3.1.1	Network Install Manager - Master Tools
bos.sysmgt.nim.master_gui	4.3.1.0	Network Install Manager - GUI
bos.sysmgt.nim.spot	4.3.1.1	Network Install Manager - SPOT
bos.sysmgt.quota	4.3.1.0	Filesystem Quota Commands
bos.sysmgt.serv_aid	4.3.1.1	Software Error Logging and Dump Service Aids
bos.sysmgt.smit	4.3.1.1	System Management Interface Tool (SMIT)
bos.sysmgt.sysbr	4.3.1.0	System Backup and BOS Install Utilities
bos.sysmgt.trace	4.3.1.0	Software Trace Service Aids
bos.terminfo.com.data	4.3.0.0	Common Terminal Definitions
bos.terminfo.dec.data	4.3.0.0	Digital Equipment Corp. Terminal Definitions
bos.terminfo.ibm.data	4.3.0.0	IBM Terminal Definitions
bos.terminfo.pc.data	4.3.0.0	Personal Computer Terminal Definitions
bos.terminfo.rte	4.3.1.0	Run-time Environment for AIX Terminals
bos.terminfo.wyse.data	4.3.0.0	Wyse Terminal Definitions
bos.twintail	4.3.1.0	Twintail SCSI Software Support
bos.txt.bib	4.3.1.0	Bibliography Support
bos.txt.bib.data	4.3.0.0	Bibliography Support Data
bos.txt.hplj.fnt	4.3.0.0	Fonts for Hewlett Packard Laser Jet Printers

Table 38. Software Levels on CWS and All Nodes Part 7 of 14

Fileset	Level	Description
bos.txt.spell	4.3.1.0	Writer's Tools Commands
bos.txt.spell.data	4.3.0.0	Writer's Tools Data
bos.txt.tfs	4.3.1.0	Text Formatting Services Commands
bos.txt.tfs.data	4.3.0.0	Text Formatting Services Data
bos.txt.ts	4.3.1.0	TranScript Tools
bos.up	4.3.1.1	Base Operating System Uniprocessor Runtime
devices.base.diag	4.3.1.0	Base System Diagnostics
devices.base.rte	4.3.1.0	RISC System 6000 Base Device Software
devices.chrp.base.diag	4.3.1.0	RISC CHRP Base System Device Diagnostics
devices.chrp.base.rte	4.3.1.0	RISC PC Base System Device Software (CHRP)
devices.common.IBM.async.diag	4.3.1.0	Common Serial Adapter Diagnostics
devices.common.IBM.atm.rte	4.3.1.1	Common ATM Software
devices.common.IBM.bbl.diag	4.3.1.0	Common Graphics Adapter Diagnostics
devices.common.IBM.cx.rte	4.3.1.0	CX Common Adapter Software
devices.common.IBM.disk.rte	4.3.1.0	Common IBM Disk Software
devices.common.IBM.ethernet.rte	4.3.1.0	Common Ethernet Software
devices.common.IBM.fda.diag	4.3.1.0	Common Diskette Adapter and Device Diagnostics
devices.common.IBM.fda.rte	4.3.1.0	Common Diskette Device Software
devices.common.IBM.fddi.rte	4.3.1.0	Common FDDI Software
devices.common.IBM.ktm_std.diag	4.3.0.0	Common Keyboard, Mouse, and Tablet Device Diagnostics
devices.common.IBM.ktm_std.rte	4.3.1.0	Common Keyboard, Tablet, and Mouse Software
devices.common.IBM.modemcfg.data	4.3.1.0	Sample Service Processor Modem Configuration Files
devices.common.IBM.pmm�_chrp.rte	4.3.1.0	CHRP Power Management Software
devices.common.IBM.ppa.diag	4.3.1.0	Common Parallel Printer Adapter Diagnostics
devices.common.IBM.ppa.rte	4.3.1.0	Common Parallel Printer Adapter Software
devices.common.IBM.scsi.rte	4.3.1.0	Common SCSI I/O Controller Software
devices.common.IBM.ssa.diag	4.3.1.0	SSA Common Adapter Diagnostics
devices.common.IBM.ssa.rte	4.3.1.0	Common SSA Adapter Software
devices.common.IBM.tokenring.rte	4.3.1.0	Common Token Ring Software
devices.common.base.diag	4.3.1.0	Common Base System Diagnostics

Table 39. Software Levels on CWS and All Nodes Part 8 of 14

Fileset	Level	Description
devices.common.rspcbase.rte	4.3.1.0	RISC PC Common Base System Device Software
devices.graphics.com	4.3.1.1	Graphics Adapter Common Software
devices.mca.0200.diag	4.3.0.0	Wide SCSI Adapter Diagnostics
devices.mca.0200.rte	4.3.0.0	Wide SCSI Adapter
devices.mca.61fd.diag	4.3.0.0	64-Port Asynchronous Adapter Diagnostics
devices.mca.61fd.rte	4.3.1.0	64-Port Asynchronous Adapter Software
devices.mca.8d77.diag	4.3.1.0	8-bit SCSI I/O Controller Diagnostics
devices.mca.8d77.rte	4.3.1.0	8-bit SCSI I/O Controller Software
devices.mca.8d77.ucode	4.3.0.0	8-bit SCSI I/O Controller Microcode
devices.mca.8ee4.X11	4.3.1.0	AIXwindows Color Graphics Display Adapter Software
devices.mca.8ee4.diag	4.3.1.0	Color Graphics Display Adapter Diagnostics
devices.mca.8ee4.rte	4.3.1.0	Color Graphics Display Adapter Software
devices.mca.8ef2.com	4.3.1.0	Common Integrated Ethernet Software
devices.mca.8ef2.diag	4.3.1.0	Integrated Ethernet Adapter (8ef2) Diagnostics
devices.mca.8ef2.diag.com	4.3.1.0	Common Integrated Ethernet Diagnostics
devices.mca.8ef2.rte	4.3.1.0	Integrated Ethernet Adapter (8ef2) Software
devices.mca.8ef3.diag	4.3.1.0	Integrated Ethernet Adapter (8ef3) Diagnostics
devices.mca.8ef3.rte	4.3.1.0	Integrated Ethernet Adapter (8ef3) Software
devices.mca.8ef4.diag	4.3.1.0	FDDI Adapter (8ef4) Diagnostics
devices.mca.8ef4.rte	4.3.1.0	FDDI Adapter (8ef4) Software
devices.mca.8ef4.ucode	4.3.0.0	FDDI Adapter (8ef4) Microcode
devices.mca.8ef5.diag	4.3.1.0	Ethernet High-Performance LAN Adapter (8ef5) Diagnostics
devices.mca.8ef5.rte	4.3.1.0	Ethernet High-Performance LAN Adapter (8ef5) Software
devices.mca.8efc.com	4.3.1.0	Common 16-bit SCSI I/O Controller Software
devices.mca.8efc.diag	4.3.1.0	16-bit SCSI I/O Controller Diagnostics
devices.mca.8efc.rte	4.3.1.0	16-bit SCSI I/O Controller Software
devices.mca.8f62.diag	4.3.1.0	IBM MCA 10/100 Mb Ethernet Adapter (8f62) Diagnostics
devices.mca.8f62.rte	4.3.1.0	IBM MCA 10/100 Mb Ethernet Adapter Software (8f62)
devices.mca.8f64.diag	4.3.0.0	155 Mbps ATM Adapter (8f64) Diagnostics
devices.mca.8f64.rte	4.3.0.0	Turboways 155 MCA ATM Adapter (8f64) Software

Table 40. Software Levels on CWS and All Nodes Part 9 of 14

Fileset	Level	Description
devices.mca.8f67.com	4.3.1.0	Common Turboways ATM Software
devices.mca.8f67.diag	4.3.0.0	155 Mbps ATM Adapter (8f67) Diagnostics
devices.mca.8f67.diag.com	4.3.1.0	Common ATM 155 Mbps ATM Adapter Diagnostics
devices.mca.8f67.rte	4.3.0.0	Turboways 155 MCA ATM Adapter (8f67) Software
devices.mca.8f67.unicode	4.3.1.0	Turboways 155 MCA ATM Adapter (8f67) Microcode
devices.mca.8f7f.diag	4.3.0.0	100 Mbps ATM Adapter (8f7f) Diagnostics
devices.mca.8f7f.rte	4.3.0.0	Turboways 100 MCA ATM Adapter (8f7f) Software
devices.mca.8f7f.unicode	4.3.1.0	Turboways 100 MCA ATM Adapter (8f7f) Microcode
devices.mca.8f95.diag	4.3.1.0	Ethernet High-Performance LAN Adapter (8f95) Diagnostics
devices.mca.8f95.rte	4.3.1.0	Ethernet High-Performance LAN Adapter (8f95) Software
devices.mca.8f97.com	4.3.0.0	Common SSA Adapter (8f97) Software
devices.mca.8f97.diag	4.3.0.0	SSA Adapter (8f97) Diagnostics
devices.mca.8f97.rte	4.3.0.0	SSA Adapter (8f97) Software
devices.mca.8f98.diag	4.3.0.0	Integrated Ethernet Adapter (8f98) Diagnostics
devices.mca.8f98.rte	4.3.1.0	Integrated Ethernet Adapter (8f98) Software
devices.mca.8f9d.diag	4.3.1.0	LAN SCSI Adapter Diagnostics
devices.mca.8f9d.rte	4.3.1.0	LAN SCSI Adapter
devices.mca.8fa2.diag	4.3.1.0	Token Ring High-Performance Adapter (8fa2) Diagnostics
devices.mca.8fa2.rte	4.3.1.0	Token Ring High-Performance Adapter (8fa2) Software
devices.mca.8fc8.diag	4.3.1.0	Token Ring High-Performance Adapter (8fc8) Diagnostics
devices.mca.8fc8.rte	4.3.1.0	Token Ring High-Performance Adapter (8fc8) Software
devices.mca.8fc8.unicode	4.3.0.0	Token Ring High-Performance Adapter (8fc8) Microcode
devices.mca.dee6.rte	4.3.0.0	Standard I/O (dee6) Adapter Software
devices.mca.df5f.com	4.3.1.0	Standard I/O Adapter Common Software
devices.mca.edd0.com	4.3.1.0	Common Async Adapter Support
devices.mca.edd0.diag	4.3.0.0	8-Port Asynchronous Adapter EIA-232 Diagnostics
devices.mca.edd0.rte	4.3.0.0	8-Port Asynchronous Adapter EIA-232 Software
devices.mca.ffe1.diag	4.3.0.0	128-Port Asynchronous Adapter Diagnostics
devices.mca.ffe1.rte	4.3.1.0	128-Port Asynchronous Adapter Software
devices.mca.ffe1.unicode	4.3.0.0	128-Port Asynchronous Adapter Microcode

Table 41. Software Levels on CWS and All Nodes Part 10 of 14

Fileset	Level	Description
devices.msg.en_US.base.com	4.3.0.0	Base System Device Software Msgs - U.S. English
devices.msg.en_US.diag.rte	4.3.1.0	Device Diagnostics Messages - U.S. English
devices.msg.en_US.rspc.base.com	4.3.0.0	RISC PC Software Messages - U.S. English
devices.msg.en_US.sys.mca.rte	4.3.1.0	Micro Channel Bus Software Messages - U.S. English
devices.rs6ksmp.base.rte	4.3.1.0	Multiprocessor Base System Device Software
devices.rspc.base.diag	4.3.1.1	RISC PC Base System Device Diagnostics
devices.rspc.base.rte	4.3.1.0	RISC PC Base System Device Software
devices.scsi.disk.diag.com	4.3.1.0	Common Disk Diagnostic Service Aid
devices.scsi.disk.diag.rte	4.3.1.0	SCSI CD_ROM, Disk Device Diagnostics
devices.scsi.disk.rspc	4.3.0.0	RISC PC SCSI CD-ROM, Disk, Read/Write Optical Software
devices.scsi.disk.rte	4.3.1.0	SCSI CD-ROM, Disk, Read/Write Optical Device Software
devices.scsi.scarrray.diag	4.3.1.0	RAIDiant Array DA Device Diagnostics
devices.scsi.scarrray.rte	4.3.1.0	7135 RAIDiant Array DA Device Software Support
devices.scsi.ses.diag	4.3.1.0	SCSI Enclosure Services Device Diagnostics
devices.scsi.ses.rte	4.3.1.0	SCSI Enclosure Device Software
devices.scsi.tape.diag	4.3.1.0	SCSI Tape Device Diagnostics
devices.scsi.tape.rspc	4.3.0.0	RISC PC SCSI Tape Device Software
devices.scsi.tape.rte	4.3.1.0	SCSI Tape Device Software
devices.scsi.tm.rte	4.3.1.0	SCSI Target Mode Software
devices.sio.fda.diag	4.3.0.0	Diskette Adapter and Device Diagnostics
devices.sio.fda.rte	4.3.1.0	Diskette Adapter Software
devices.sio.ktma.diag	4.3.1.0	Keyboard Tablet & Mouse Device and Adapter Diagnostics
devices.sio.ktma.rte	4.3.1.0	Keyboard Tablet & Mouse Device and Adapter Software
devices.sio.ppa.diag	4.3.1.0	Parallel Printer Adapter Diagnostics
devices.sio.ppa.rte	4.3.1.0	Parallel Printer Adapter Software
devices.sio.sa.diag	4.3.0.0	Built-in Serial Adapter Diagnostics
devices.sio.sa.rte	4.3.1.0	Built-in Serial Adapter Software
X11.compat.lib.Motif114	4.3.0.0	AIXwindows Motif 1.1.4 Libraries Compatibility
devices.ssa.IBM_raid.rte	4.3.1.0	SSA Raid Manager Software
devices.ssa.disk.rte	4.3.1.0	SSA DASD Software

Table 42. Software Levels on CWS and All Nodes Part 11 of 14

Fileset	Level	Description
devices.ssa.network_agent.rte	4.3.1.0	SSA Network Agent Support
devices.ssa.tm.rte	4.3.1.0	Target Mode SSA Support
devices.sys.mca.rte	4.3.1.0	Micro Channel Bus Software
devices.sys.slc.diag	4.3.1.0	Serial Optical Link Diagnostics
devices.sys.slc.rte	4.3.1.0	Serial Optical Link Software
devices.tty.rte	4.3.1.0	TTY Device Driver Support Software
ifor_ls.base.cli	4.3.1.0	License Use Management Runtime Code
ifor_ls.base.gui	4.3.1.0	License Use Management Runtime GUI
ifor_ls.compat.cli	4.3.0.0	License Use Management Compatibility Code
ifor_ls.compat.gui	4.3.0.0	License Use Management Compatibility GUI
ifor_ls.msg.en_US.base.cli	4.3.0.0	LUM Runtime Code Messages - U.S. English
ifor_ls.msg.en_US.base.gui	4.3.0.0	LUM Runtime GUI Messages - U.S. English
ifor_ls.msg.en_US.compat.cli	4.3.0.0	LUM Compatibility Code Messages - U.S. English
ifor_ls.msg.en_US.compat.gui	4.3.0.0	LUM Compatibility GUI Messages - U.S. English
ipfx.msg.en_US.rte	2.2.0.0	IPF Messages - U.S. English
ipfx.rte	2.2.0.0	Information Presentation Facility Runtime
perfagent.server	2.2.31.1	Performance Agent Daemons & Utilities
perfagent.tools	2.2.31.0	Local Performance Analysis & Control Commands
pkg_gd	4.3.1.0	Package Installation Database for Current Media
printers.hpJetDirect.attach	4.3.1.0	Hewlett-Packard JetDirect Network Printer Attachment
printers.hplj-2.rte	4.3.0.0	Hewlett-Packard LaserJet II
printers.hplj-3.rte	4.3.0.0	Hewlett-Packard LaserJet III
printers.hplj-3si.rte	4.3.0.0	Hewlett-Packard LaserJet IIISi
printers.hplj-4+.rte	4.3.0.0	Hewlett-Packard LaserJet 4 Plus
printers.hplj-4.rte	4.3.0.0	Hewlett-Packard LaserJet 4
printers.hplj-4000.rte	4.3.1.0	Hewlett-Packard LaserJet 4000
printers.hplj-4si.rte	4.3.0.0	Hewlett-Packard LaserJet 4si
printers.hplj-4v.rte	4.3.0.0	Hewlett-Packard LaserJet 4V
printers.hplj-5si.rte	4.3.0.0	Hewlett-Packard LaserJet 5si
printers.hplj-5siMopier.rte	4.3.0.0	Hewlett-Packard LaserJet 5si Mopier

Table 43. Software Levels on CWS and All Nodes Part 12 of 14

Fileset	Level	Description
printers.hpj-c.rte	4.3.0.0	Hewlett-Packard LaserJet Color
printers.ibm2380.rte	4.3.0.0	IBM 2380 Personal Printer II
printers.ibm2381.rte	4.3.0.0	IBM 2381 Personal Printer II
printers.ibm2390.rte	4.3.0.0	IBM 2390 Personal Printer II
printers.ibm3130.rte	4.3.0.0	IBM 3130 LaserPrinter
printers.ibm4019.rte	4.3.0.0	IBM 4019 LaserPrinter
printers.ibm4029.rte	4.3.0.0	IBM 4029 LaserPrinter
printers.ibm4039.rte	4.3.0.0	IBM 4039 LaserPrinter
printers.ibm4079.rte	4.3.0.0	IBM 4079 Color Jetprinter PS
printers.ibm4201-2.rte	4.3.0.0	IBM 4201 Model 2 Proprinter II
printers.ibm4201-3.rte	4.3.0.0	IBM 4201 Model 3 Proprinter III
printers.ibm4202-2.rte	4.3.0.0	IBM 4202 Model 2 Proprinter II XL
printers.ibm4303.rte	4.3.0.0	IBM Network Color Printer
printers.ibm4312.rte	4.3.0.0	IBM Network Printer 12
printers.ibm4317.rte	4.3.0.0	IBM Network Printer 17
printers.ibm4320.rte	4.3.2.0	IBM InfoPrint 20
printers.ibm4324.rte	4.3.0.0	IBM Network Printer 24
printers.ibmNetColor.attach	4.3.0.0	IBM Network Color Printer Attachment
printers.ibmNetPrinter.attach	4.3.1.0	IBM Network Printer Attachment
printers.lex2380-3.rte	4.3.0.0	Lexmark 2380 Plus printer (Model 3)
printers.lex2381-3.rte	4.3.0.0	Lexmark 2381 Plus printer (Model 3)
printers.lex2390-3.rte	4.3.0.0	Lexmark 2390 Plus printer (Model 3)
printers.lex2391-3.rte	4.3.0.0	Lexmark 2391 Plus printer (Model 3)
printers.lex4039+.rte	4.3.0.0	Lexmark 4039 plus LaserPrinter
printers.lex4049.rte	4.3.0.0	Lexmark Optra LaserPrinter
printers.lex4076-2c.rte	4.3.0.0	Lexmark ExecJet IIc
printers.lex4079+.rte	4.3.0.0	Lexmark 4079 Color Jetprinter Plus
printers.lex4227.rte	4.3.0.0	Lexmark Forms Printer 4227
printers.lexOptra+.rte	4.3.0.0	Lexmark Optra Plus Laser Printer
printers.lexOptraC.rte	4.3.0.0	Lexmark Optra C Color Laser Printer

Table 44. Software Levels on CWS and All Nodes Part 13 of 14

Fileset	Level	Description
printers.lexOptraE.rte	4.3.0.0	Lexmark Optra E Laser Printer
printers.lexOptraEp.rte	4.3.0.0	Lexmark Optra Ep Laser Printer
printers.lexOptraN.rte	4.3.0.0	Lexmark Optra N Laser Printer
printers.lexOptraS.rte	4.3.0.0	Lexmark Optra S Laser Printer
printers.lexOptraSC.rte	4.3.0.0	Lexmark Optra SC Color Laser Printer
printers.msg.en_US.rte	4.3.1.0	Printer Backend Messages - U.S. English
printers.qms100.rte	4.3.0.0	QMS ColorScript 100, Model 20
printers.rte	4.3.1.0	Printer Backend
ssp.authent	2.4.0.0	SP Authentication Server
ssp.basic	2.4.0.1	SP System Support Package
ssp.clients	2.4.0.1	SP Authenticated Client Commands
ssp.css	2.4.0.1	SP Communication Subsystem Package
ssp.docs	2.4.0.0	SP man and info files
ssp.gui	2.4.0.1	SP System Monitor Graphical User Interface
ssp.ha	2.4.0.1	SP High Availability Services
ssp.ha_clients	2.4.0.0	SP High Availability Services (Client)
ssp.jm	2.4.0.0	SP Job Manager Package
ssp.perlpkg	2.4.0.0	SP PERL Distribution Package
ssp.pman	2.4.0.0	SP Problem Management
ssp.public	2.4.0.0	Public Code Compressed Tar Files
ssp.spmgr	2.4.0.0	SP Extension Node SNMP Manager
ssp.st	2.4.0.1	Switch Table API Package
ssp.sysctl	2.4.0.0	SP Sysctl Package
ssp.sysman	2.4.0.0	Optional System Management Programs
ssp.top	2.4.0.1	SP Communication Subsystem Topology Package
ssp.top.gui	2.4.0.0	SP System Partitioning Aid
ssp.topsvcs	2.4.0.1	SP Topology Services/ES
ssp.unicode	2.4.0.0	SP Supervisor Microcode Package
sysmgt.help.msg.en_US.websm	4.3.1.0	WebSM Context Helps - U.S. English
sysmgt.msg.en_US.websm.apps	4.3.1.0	WebSM Client Apps. Messages - U.S. English

Table 45. Software Levels on CWS and All Nodes Part 14 of 14

Fileset	Level	Description
sysmgt.sgguide.rte	4.3.1.0	TaskGuide Runtime Environment
sysmgt.websm.apps	4.3.1.1	Web-based System Manager Applications
sysmgt.websm.framework	4.3.1.1	Web-based System Manager Client/Server Support
sysmgt.websm.icons	4.3.1.0	Web-based System Manager Icons
sysmgt.websm.rte	4.3.1.1	Web-based System Manager Runtime Environment
sysmgt.websm.ucf	4.3.1.0	Web-based System Manager Container Framework
sysmgt.websm.widgets	4.3.1.0	Web-based System Manager Base Widgets
xlC.cpp	3.1.4.4	C for AIX Preprocessor
xlC.msg.en_US.cpp	3.1.4.2	C for AIX Preprocessor Messages en_US
xlC.msg.en_US.rte	3.6.3.0	C Set ++ for AIX Application Runtime Messages en_US
xlC.rte	3.6.3.0	C Set ++ for AIX Application Runtime

A.1.3 Network Options and Tuning

Table 46 shows the network options on the CWS and all participating SP nodes. Options can be changed with the `/etc/no` command.

Table 46. Network Options of CWS and All Nodes Part 1 of 3

Parameters	Value
thewall	16384
sockthresh	85
sb_max	1310720
somaxconn	1024
clean_partial_conns	0
net_malloc_police	0
rto_low	1
rto_high	64
rto_limit	7
rto_length	13
inet_stack_size	16
arptab_bsiz	7
arptab_nb	25
tcp_ndebug	100
ifsize	8
arpqsize	1
ndpqsize	50
route_expire	0
strmsgsz	0
strctlsz	1024
nstrpush	8
strthresh	85
psetimers	20
psebufcalls	20
strturncnt	15
pseintrstack	12288
lowthresh	90

Table 47. Network Options of CWS and All Nodes Part 2 of 3

Parameters	Value
medthresh	95
psecache	1
subnetsarelocal	1
maxttl	255
ipfragttl	60
ipsendredirects	1
ipforwarding	1
udp_ttl	30
tcp_ttl	60
arpt_killc	20
tcp_sendspace	327680
tcp_recvspace	327680
udp_sendspace	65536
udp_recvspace	655360
rfc1122addrchk	0
nonlocsrcroute	1
tcp_keepintvl	150
tcp_keepidle	14400
bcastping	1
udpcksum	1
tcp_mssdflt	1448
icmpaddressmask	0
tcp_keepinit	150
rfc1323	1
pmtu_default_age	10
pmtu_rediscover_interval	30
udp_pmtu_discover	0
tcp_pmtu_discover	0
ipqmaxlen	100
directed_broadcast	1

Table 48. Network Options of CWS and All Nodes Part 3 of 3

Parameters	Value
ipignoreredirects	0
ipsrroutesend	1
ipsrrouterecv	1
ipsrrouteforward	1
ip6srrouteforward	1
ip6_defttl	64
ndpt_keep	120
ndpt_reachable	30
ndpt_retrans	1
ndpt_probe	5
ndpt_down	3
ndp_umaxtries	3
ndp_mmaxtries	3
ip6_prune	2
tcp_timewait	1
tcp_ephemeral_low	32768
tcp_ephemeral_high	65535
udp_ephemeral_low	32768
udp_ephemeral_high	65535

A.2 SP Switch Pool Size Settings

Two important switch parameters were changed from their default values: rpoolsize and spoolsize. To check the current values, enter:

```
lsattr -El css0
```

and look for rpoolsize and spoolsize. 512 KB per processor is the default size. Both values should be increased if high I/O traffic is expected on the SP Switch. To increase both values to 5 MB (as applied in all of our scenarios), enter:

```
/usr/lib/methods/chgcss -l css0 -a spoolsize=5242880 -a rpoolsize=5242880
```

For the changes to take effect, the SP nodes must be rebooted.

A.3 7025-F50 Configuration

A 7025-F50 was used for some ATM and Ethernet network tests. This machine is equipped with two 166 MHz-604e processors, three 4500 MB 16-bit SCSI Disk Drives, an IBM 155 Mbps ATM PCI Adapter and an IBM 100/10 Mbps Ethernet PCI Adapter. AIX 4.3.1.1 is installed. For detailed software-level information, refer to Table 32 on page 239, but note that no PSSP file sets are installed. Table 49 contains the network options applied for the sample configurations.

Table 49. Network Options of 7025-F50 Part 1 of 3

Parameter	Value
thewall	16384
sockthresh	85
sb_max	1310720
somaxconn	1024
clean_partial_conns	0
net_malloc_police	0
rto_low	1
rto_high	64
rto_limit	7
rto_length	13
inet_stack_size	16
arptab_bsiz	7
arptab_nb	25
tcp_ndebug	100
ifsize	8
arpqsize	1
ndpqsize	50
route_expire	0
strmsgsz	0
strctlsz	1024
nstrpush	8
strthresh	85
psetimers	20

Table 50. Network Options of 7025-F50 Part 2 of 3

Parameter	Value
psebufcalls	20
strturncnt	15
pseintrstack	12288
lowthresh	90
medthresh	95
psecache	1
subnetsarelocal	1
maxttl	255
ipfragttl	60
ipsendredirects	1
ipforwarding	0
udp_ttl	30
tcp_ttl	60
arpt_killc	20
tcp_sendspace	327680
tcp_recvspace	327680
udp_sendspace	9216
rfc1122addrchk	0
nonlocsrcroute	0
tcp_keepintvl	150
tcp_keeppidle	14400
bcastping	0
udpcksum	1
tcp_mssdflt	512
icmpaddressmask	0
tcp_keepinit	150
rfc1323	1
pmtu_default_age	10
pmtu_rediscover_interval	30
udp_pmtu_discover	0

Table 51. Network Options of 7025-F50 Part 3 of 3

Parameter	Value
ipqmaxlen	100
directed_broadcast	1
ipignoreredirects	0
ipsrcroutesend	1
ipsrcrouterrecv	0
ipsrcrouteforward	1
ip6srcrouteforward	1
ip6_defttl	64
ndpt_keep	120
ndpt_reachable	30
ndpt_retrans	1
ndpt_probe	5
ndpt_down	3
ndp_umaxtries	3
ndp_mmaxtries	3
ip6_prune	2
tcp_timewait	1
tcp_ephemeral_low	32768
tcp_ephemeral_high	65535
udp_ephemeral_low	32768
udp_ephemeral_high	65535

A.4 SP IP Switch Router Configuration

A GRF 400 and/or a GRF 1600 SP Switch Router were used for all the tests. Ascend Embedded/OS 1.4.6.4 was installed.

Both Switch Routers contain at least one SP Switch Router Adapter card. Depending on the scenario, several SP Switch Router media cards were installed, including Ethernet, FDDI, ATM OC-3c, ATM OC-12c and HIPPI media cards.

The applied IP addresses vary with the scenario and are specified in the corresponding chapter. For specific SP Switch Router sample configuration files, refer to Appendix B, “GRF Configuration Files” on page 261.

260 IBM 9077 SP Switch Router: Get Connected to the SP Switch

Appendix B. GRF Configuration Files

This appendix contains relevant SP Switch Router configuration files.

Some of them are here just for information, some of them were worked out manually during setup of hardware or software and some of them were created using Ascend-supplied tools. If you need up to date information about these files, look on the SP Switch Router in directory /etc. Most of the files mentioned in this appendix come as a *.conf.template file that you can use as a starting point for further investigation and as a skeleton for your own files.

Also, make use of the man utility that is running on the SP Switch Router. Although there are no entries for basic operating system commands, the GRF specific commands, which can be recognized by their gr- prefix, do.

B.1 /root/.profile

The following is a modified /root/.profile for the root user. We liked to have a system prompt that shows the hostname and path. We also preferred emacs command line settings over the vi settings.

We further commented out the call to the command line interface (CLI), because most of the time when you log onto the GRF, you will be working with a shell anyway. CLI can be started with the command `ncli`.

Because the file /root/.profile is not located in the /etc directory, it must be saved with the `grsite` command to be there after system reboot. If you want the modified file to survive even software updates, use `grsite --perm` instead.

```
#
# NOTE: This file is considered part of the Ascend GRF software,
#       and may be overwritten by future releases of Ascend GRF
#       software. IF YOU EDIT THIS FILE DIRECTLY, YOUR CHANGES
#       MAY BE LOST WHEN YOU UPGRADE SOFTWARE.
#
#       To allow local customization of the root login, this
#       script will look for the file .profile.local and source
#       it in if it exists. This should allow you to set
#       environment variables or execute initialization commands
#       in that file.
#
#       If you find that you cannot adequately customize your
#       root account's login process through .profile.local, and
#       must customize it by editing this file directly, then of
#       course, do what you need to make things work.
#
#       If you find that you must edit this .profile script directly,
#       please inform the High Performance Networking Division of
#       Ascend Communications (through normal support channels) of
#       the change you needed to make to this .profile script, so
```

```

#         that we may consider enhancing it in future software
#         releases to support your needs.
#
#
# GRF systems require /usr/sbin in the path.
#
PATH=/sbin:/usr/sbin:/bin:/usr/bin:/usr/local/bin:/usr/contrib/bin:/usr/sbin
export PATH

echo 'erase ^H, kill ^U, intr ^C status ^T'
stty crt erase kill - intr  status

umask 022

HOME=/root
export HOME

BLOCKSIZE=1k
export BLOCKSIZE

#
# Enable "vi"-style ksh editing, to be consistent with GR 4.x releases.
#
FCEDIT=vi
# We prefer VISUAL=emacs /*UU*/
VISUAL=emacs
export FCEDIT
export VISUAL
# gimme a meaningful prompt /*UU*/
export PS1
# take care, the following is a command substitution,
# so this ` is a backtick. (that ` is a single quote)
host=`hostname -s`
export host
PS1="$host:\$PWD "

#
# Look for a local .profile.local file, owned by root,
# and source it in if such a thing exists.
#
# NOTE: Do NOT put an "exit" statement in the .profile.local file.
#       Because we source it in, an "exit" statement in
#       .profile.local will cause the login shell to terminate.
#
# ... and if you use this .profile.local, dont forget to
# grsite --perm it ... /*UU*/
LOCAL=./.profile.local
if [ -s ${LOCAL} ]
then
    if [ X`find ${LOCAL} -user root -print` = X ]
    then
        OWNER=`ls -l ${LOCAL} | awk '{print $3}'`
        echo "'${LOCAL}' owned by '${OWNER}', not 'root'; skipping sourc
ing it." >&2
    else
        . ${LOCAL}
    fi
fi
unset LOCAL

#
# Check to see if this is an interactive session.

```



```

#
if [ -t 0 ]
then
    #
    # Ask for a terminal type; the default is the canonical "vt100".
    #
    if [ X${TERM} = X ]
    then
        TERM=vt100
    fi
    eval `tset -s -m ?$TERM`
    export TERM

    #
    # It's interactive, so exec the new CLI shell for the GRF.
    #
# from here on commented out the next 15 lines as 99.99999% of work
# is from the shell prompt, and if you exit from CLI, .profile is not
# obeyed, sigh.
# you have to call ncli, to get the super> prompt.
# to see the information that pops up, if you start sh within super>,
# cat /etc/motd, or run sh within super> /*UU*/
    # NCLI=/usr/sbin/ncli
    # if [ -x ${NCLI} ]
    # then
    #   ${NCLI}
    #   STATUS=$?
    #   if [ ${STATUS} -eq 0 ]; then
    #       # exit 0
    #   fi
    #   echo "${NCLI}' exited status ${STATUS}; continuing with '${SHELL}'."
    #   elif [ -f ${NCLI} ]
    #   then
    #       # echo "Warning:  '${NCLI}' is not executable; using '${SHELL}'."
    #   else
    #       # echo "Warning:  '${NCLI}' is not found; using '${SHELL}'."
    #   fi
# end of commenting out the call to CLI. /*UU*/
fi

```

B.2 /etc/Release

This file's only content is the actual version of the operating system the GRF is running. If in doubt, look here and also have a look at Appendix B.15, "/etc/motd" on page 287.

A_1_4_6_ibm,default

B.3 /etc/bridged.conf

This file holds the configuration data for transparent bridging. It is created using the utility `bredit`.

```
#
#       NetStar $Id$
#
# Configuration file for Bridge Daemon (bridged).
#
#       Note: bridged will not start if it finds an error while
#       trying to parse this file. Use the "-d" option on the
#       command line with bridged to find proximity of the offending
#       line.
#
#
#bridge_group bg0 {
#
# The main reason we need to configure this stuff is to
# specify which ports are part of a bridge group.
#
# Declare all the ports in this group on a single
# line if you don't need to set anything special
# for the port. This is the normal case.
#
# multiple lines are ok.
#
# eg. port gf070;
#     port gf041 gf072;
#     port gf080;
#
#port gf000 gf001 gf002 gf003;
#
# If you need to set specific values for a port in this
# bridge group, then use the structure below..
#
# port gf040 {
#
#
# priority : port priority allows the network manager to
#           influence the choice of port when a bridge has
#           two ports connected in a loop.
#
#           priority 5;
#
# valid states are : blocking, listening, learning and
# forwarding. the default start state is blocking.
#
#           state blocking;
#
# root_path_cost : This is the cost to be added to the root
# path cost field in a configuration message received
# on this port in order to determine the cost of the
# path to the root through this port. This value is
# individually settable on each port.
#
#           Setting this value to be large on a particular port
#           makes the LAN reached through that port more likely
```

```

#         to be a lead or at least low in the spanning tree.
#         The closer a LAN is to being a leaf in the tree, the
#         less through traffic it will be asked to carry. A
#         LAN would be a candidate for having a large path
#         cost if it has a lower bandwidth or if someone wants
#         to minimize unnecessary traffic on it. A better
#         description is possibly link cost or port cost.
#
#         root_path_cost 5;
#
# Forward packets with the following destination addresses
# through this port.
#
#         forward 00:a0:24:2a:50:e6 00:a0:24:2a:50:e7;
#
# };
# port gf041 {
#     state blocking;
#     root_path_cost 6;
#     priority 5;
# };
#
# Configuration and tuning parameters that
# govern how a bridge group functions.
#
# priority: This is used to create the bridge ID for
# this bridge. this along with the MAC address of one
# of the ports in the group is used to set the bridge ID.
# This value allows the network manager to influence the
# choice of root bridge and the designated bridge. It is
# appended as the most significant portion of a bridge ID.
# A lower numerical value for bridge priority makes the
# bridge more likely to become the root.
#
#     priority 128;
#
#
# hello_time: Interval between the transmission of configuration
# BPDUs by a bridge that is attempting to become the root
# bridge or is root bridge.
#
#     It is the timer that elapses
#     between generation of configuration messages by a bridge
#     that assumes itself to be the root.
#     Shortening this time will make the protocol more
#     robust, in case the probability of loss of configuration
#     messages is high. Lengthening the timer lowers the overhead
#     of the algorithm (because the interval between transmission
#     of configuration messages will be larger).
#
#     The recommended time is 2 sec.
#
#     hello_time 2 seconds;
#
# forward_delay: The time value advertised by this
# bridge for deciding the time delay that a port must
# spend in the listening and learning states.
#
#     This parameter temporarily prevents a bridge from starting
#     to forward data packets to and from a link until news of
#     a topology change has spread to all parts of a bridged
#     network. This should give all links that need to be turned
#     off in the new topology time to do so before new links are

```

```

#         turned on.
#
#         Setting the forward delay too small would result in temporary
#         loops as the spanning tree algorithm converges. Setting this
#         value too large results in longer partitions after the
#         spanning tree reconfigures.
#
#         The recommended value is 15 sec.

#forward_delay 15 seconds;

#
# maximum_age: This is the time value advertised by this bridge for
#         deciding whether to discard spanning tree frames based on
#         message age.
#
#         If the selected max_age value is too small, then occasionally,
#         the spanning tree will reconfigure unnecessarily, possibly
#         causing temporary loss of connectivity in the network. If the
#         selected value is too large, the network will take longer then
#         necessary to adjust to a new spanning tree after a topological
#         event such as restarting or crashing of a bridge or link.
#
#         The recommended value is 20 sec.
#
#         maximum_age 20 seconds;
#
# route_maximum_age: This parameter determines how often routes
#         will be aged out of the learnt route table.
#
#         Default : 300 seconds
#
#         route_maximum_age 300 seconds;
#
# And last, hardwiring the forwarding table with
# specific MAC addresses to discard.
#
# Sink packets with the following destination
# addresses.
#
#         discard 00:40:0b:0c:95:60 00:40:0b:0c:95:6a;
#
# Disable Spanning Tree for the group
#
#         spanning_tree disabled
#} ;

#
# To create a bridge group with no ports in it, use the
# following NULL declaration:
#
#         bridge_group bg0 {
#             ;
#         };
#
#
#debug_level 5; # traces all events of level NOTICE and above
debug_level 7 ;
# For FDDI Backbone test Chap.5.1.4.2
bridge_group bg0 {
    port gf000 gf001 gf002 gf003;
};

```

```

# For ATM - ATM two ports Test Chap.7.1.2
bridge_group bgl {
    port ga010 ga0180;
#    spanning_tree disabled;
};

```

B.4 /etc/fstab

This file holds the filesystem mount information. This file was changed when adding a PCMCIA hard disk in Section 3.3.2, "Installing the PCMCIA Spinning Disk" on page 76.

```

#
# Filesystem mount table information.  See the fstab(5) man page
# and the /etc/fstab.sample file for more information and examples.
#
# Each line is of the form:
#
# device      mount_point  type    flags  dump  fsck_pass
#
# Note that multiple flags (when used) are specified as a
# comma separated list without spaces.
#
# Blank lines and lines beginning with '#' are comments.
#
/dev/rd0a    /              ufs     rw     0 0
/dev/wd3a    /var/log      ufs     rw     0 2
#
# Example line to mount a remote file system in such a way that it
# will try to mount for a long time and is interruptable:
#nfs_host:/home /home          nfs     rw,bg,intr 0 0

```

B.5 /etc/grarp.conf

This file holds ARP information for distant interfaces that do not support inverse ARP.

```

# NetStar $Id: grarp.conf,v 1.2.22.1 1997/05/09 17:35:00 jim Exp $
#
# Template grarp.conf file.
#
#       This file contains any hardwired IP-address-to-hardware-address
#       mappings you may want for GigaRouter interfaces.  It is especially
#       important for HIPPI, whose ARP tables are manually configured.
#       For HIPPI, this file replaces the "gria" command.
#
# File syntax:
#
# [ifname]    host    hwaddr  [temp]  [pub]  [trail]
#
# [ifname]    If given, this is the interface name as you would find it
#              in column 1 of the netstat -i output.
#
# host        Hostname or IP address of the remote system
#
# hwaddr      Hardware address of the remote system in one of the

```

```

#           following formats:
#
#           48-bit MAC address for
#           Ethernet or FDDI:  xx:xx:xx:xx:xx:xx
#                               where 'xx' are hexadecimal digits.
#
#           32-bit I-field for
#           HIPPI:  C-language syntax for a 32-bit constant
#                   Example:  0x03000555 for logical address x'555.
#
#           20-byte NSAP address or VPI/VCI for
#           ATM:    vp/vc           VPI/VCI for PVCs
#                   where 'vp' and 'vc' are decimal integers
#                   xx.xx.xx. . .xx.xx.xx.xx   NSAP address
#                   where 'xx' are hexadecimal digits.
#####  Add your configuration following this line #####
# This is the HIPPI Interface from Chap.7.3
# This is on grf16, 10.50.1.2 and 0x03666fc0 is grf4
# grf4 has a line like gh0?0  10.50.1.1  0x03555fc0
gh080  10.50.1.2      0x03666fc0

```

B.6 /etc/gratm.conf

In this file, the parameters for ATM (OC-3c or OC-12c) are set.

```

#
# NetStar $Id$
#
# gratm.conf - GigaRouter ATM Configuration File
#
#
# This file is used to configure GigaRouter ATM interfaces.
# Statements in this file are used to configure ATM PVC's,
# signalling protocols, arp services, and traffic shapes.
#
# gratm(8) uses this file as input when it is run by grinchd(8)
# whenever an ATM media card boots to configure the card.
#
#
# gratm.conf is divided into five sections:
#
# The Service section is where ATM ARP services are defined (entries
#   defined in this section are referenced from the Interface section
#   of this file to define which ARP service an interface should use).
#
# The Traffic Shaping section is where traffic shapes are defined (entries
#   defined in this section are referenced from the Interface and PVC
#   sections of this file to define which traffic shapes interfaces
#   and PVC's should use).
#
# The Signalling section is where the signalling protocol to be used
#   by a physical interface to establish Switched Virtual Circuits
#   is specified.
#
# The Interfaces section is where per-logical-interface parameters
#   such as ARP services and Traffic shapes are bound to specific
#   logical interfaces.
#
#

```

```

# The PVC section is where Permanent Virtual Circuits are defined,
#   using traffic shapes defined in the Traffic Shaping section,
#   along with other parameters specific to PVC configuration.
#
#
# Notes on the format of this file:
#
# Comments follow the Bourne Shell style (all characters following a #
# on a line are ignored).
#
# Statements in this file are separated by newlines. A statement may
# span multiple lines by ending each incomplete line of the statement
# with a '\' character. Example:
#
# Traffic_Shape name=high_speed peak=15000          # this is a statement
#
# Service name=bc0 type=bcast addr=198.174.11.1 \ # this is also a statement
#   addr=198.176.11.1
#
# User-defined names for Traffic_Shape's and Service's must be defined
# before they are used, ie., the definition of a traffic shape must
# precede its use in an Interface or PVC specification, and the
# definition of a Service must precede the use of the name of that
# service in defining any Interfaces.
#
#
# ARP Service info
#
# Lines beginning with the keyword "Service" define virtual "services" which
# may or may not be present on an ATM network attached to a GigaRouter.
#
# Each Service entry the ATM configuration file has the following format:
#
# Service name=value   type=arp|bcast  addr=value [addr=value ...]
#
# The "name" field is a unique name to identify this ATM service
#
# The "type" field specifies the type of ATM service being configured.
# and how the address argument(s) which follow are interpreted.
#
#     type=arp          Indicates an ARP service. One to three "addr" field(s)
#                       must follow, defining NSAP addresses of ARP
#                       services on the attached ATM network.
#
#                       A logical interface using this "Service" entry
#                       will connect to one of the addresses defined for
#                       this service to get ATM address information for
#                       any IP addresses it does not already know the
#                       ATM address of.
#
#     type=bcast       Defines a "broadcast service". The "addr" field(s)
#                       contain IP addresses of hosts on a given logical
#                       logical ATM network to which copies of any broadcast
#                       packets will be sent, allowing the GigaRouter, when
#                       so configured, to simulate broadcast over a logical
#                       IP network.
#
#Service name=arp0 type=arp addr=47000580ffe1000000f21513eb0020481513eb00

```

```

#Service name=bc0 type=bcast addr=198.174.20.1 addr=198.174.22.1 \
#   addr=198.174.21.1

#
# Traffic shaping parameters
#
# Lines beginning with the keyword "Traffic_Shape" define
# traffic shapes which may be used to configure the performance
# characteristics of ATM Virtual Circuits.
#
# The Traffic_Shape's defined here are to be referenced by name when
# to assign traffic shapes to PVC's or Interfaces later in this
# configuration file. (See Examples in the PVC or Interface section
# of this file for examples on how to reference traffic shapes defined here.)
#
# Each Traffic_Shape entry the ATM configuration file has the following format:
#
# Traffic_Shape name=value peak=bps [sustain=bps burst=cells] [qos=high|low]
#
# The "name" field is a unique name to identify this ATM service, so we
# can refer to the collection of peak, [sustain, burst], [qos] parameters
# as a group when configuring PVC's or Interfaces later in this file.
#
# The 'peak', 'sustain', and 'burst' fields specify, respectively,
# the peak cell rate, the sustained cell rate, and the burst rate.
# The values for 'peak' and 'sustain' are in kilobits per second (maximum
# of 155000), and the value for 'burst' is in cells (maximum of 2048).
#
# The 'qos' (Quality of Service) field specifies which rate queues
# to use. A value of 'high' corresponds to high priority service
# which uses the high-priority rate queues, and a value of 'low' corresponds
# to low priority service which uses the low-priority rate queues.
#
# The peak rate is the only parameter which is mandatory. If omitted,
# the sustain and burst rates are set to match the peak rate. If qos
# is not specified, it defaults to "high".
#

#Traffic_Shape name=high_speed_high_quality \
#   peak=155000 sustain=155000 burst=2048 qos=high

#Traffic_Shape name=medium_speed_low_quality \
#   peak=75000 qos=low

#Traffic_Shape name=low_speed_high_quality \
#   peak=15000 qos=high

#
# Signalling parameters
#
# Lines beginning with the keyword "Signalling" define
# the signalling protocol which will be used on a physical
# ATM interface to establish Switched Virtual Circuits for
# any logical interfaces on the named physical interface.
#
# Physical interfaces on GigaRouter ATM cards are identified by
# the slot number of the interface card in the GigaRouter chassis
# in hex notation (0-f) plus the location of the physical interface
# on the card (either the top connector, or the bottom connector on the card).
#
# Each Signalling entry the ATM configuration file has the following format:
#
# Signalling card=hex connector=top|bottom [protocol=UNI3.0|UNI3.1|NONE] \

```



```

#      [mode=SDH|SONET] [clock=Ext|Int]
#
# The 'card' and 'connector' specification are mandatory.
#
# The card should be identified by a hexadecimal digit representing
# the slot number of the card in the GigaRouter chassis.
#
# The connector should be either 'top' or 'bottom'.
#
# The 'protocol' parameter defines the signalling protocol to be used
# in the setup of Switched Virtual Circuits (SVC's) on this physical
# interface. This parameter is optional. If left unspecified, the
# ATM card uses UNI3.0 signalling by default.
#
# Valid values for the signalling parameter include:
#
#      UNI3.0   - for the UNI 3.0 signalling protocol.
#
#      UNI3.1   - for the UNI 3.1 signalling protocol.
#
#      NONE     - for no signalling protocol.
#
# The 'mode' specification is optional. It can be either SDH or SONET.
# By default, it uses SONET.
#
# The 'clock' specification is also optional. It can be either Ext(ernal)
# or Int(ernal). The default setting is Internal clocking.
#

#Signalling card=9 connector=top protocol=UNI3.1
#Signalling card=9 connector=bottom protocol=NONE

#Signalling card=a connector=top protocol=UNI3.1
#Signalling card=a connector=bottom protocol=NONE

#
# Interfaces
#
# Lines beginning with the keyword "Interface" define
# GigaRouter logical ATM interfaces.
#
# The format of a logical interface definition is:
#
# Interface ifname [service=service_name] [traffic_shape=shape_name] \
#     [bridge_method=method[,restriction]]
#
# The optional 'service' parameter allows an ATM service to be
# be defined for this logical interface (the 'service_name' must be
# a name defined in the Services section above).
#
# The optional 'traffic_shape' parameter allows a traffic shape
# to be defined for this logical interface (the 'shape_name' must be
# a named defined as a Traffic_Shape above).
#
# If no traffic shape is specified, a default shape of 155Kbps, high
# quality of service is used.
#
# The optional 'bridge_method' parameter allows an interface to be used
# for RFC 1483 bridging. The valid values for the bridge_method parameter
# are:
#
#      llc_encapsulated      - Use a single PVC, with each frame
#                             encapsulated with an LLC header to identify

```

```

#                                     the protocol
#
#      vc_multiplexed          - Use a separate PVC for each protocol
#
# LLC encapsulated bridging allows any LAN frame type to be transmitted, and
# also allows IP datagrams to be sent directly on the VC.  The optional
# 'restriction' parameter can limit how IP datagrams are routed to the
# interface, and on what kind of LAN frames are transmitted on it.
# The valid values for the restriction parameter are:
#
#      broute_to_ether        - Transmit all routed IP datagrams as
#                               Ethernet frames
#
#      ether_only            - Transmit all frames (routed IP datagrams and
#                               all bridged LAN frames) as Ethernet frames
#
#      broute_to_fddi        - Transmit all routed IP datagrams as
#                               FDDI frames
#
#      fddi_only            - Transmit all frames (routed IP datagrams and
#                               all bridged LAN frames) as FDDI frames
#
# Note that unless a restriction or an ARP service is specified, an
# LLC-encapsulated bridging interface will only be able to route to the host at
# the other end of the ATM PVC.

#Interface ga090  service=arp0 traffic_shape=high_speed_high_quality
#Interface ga0980 service=net20 traffic_shape=low_speed_high_quality

#Interface ga0a0  service=arp0 traffic_shape=high_speed_high_quality
#Interface ga0a80 service=net20 traffic_shape=low_speed_high_quality

#Interface ga091  traffic_shape=high_speed_high_quality \
#      bridge_method=llc_encapsulated,broute_to_ether

#
# PVC's
#
# Lines beginning with the keyword "PVC" define
# Permanent virtual circuits.
#
# The format of a PVC definition is:
#
# PVC ifname VPI/VCI \
#      proto=ip|raw|vc|ipnllc|isis|llc[,bridging]|vcmux_bridge,bpro|vc_atmp \
#      [input_aal=3|5|NONE] [traffic_shape=shape] \
#      [dest_if=logical_if [dest_vc=VPI/VCI]]
#
# The first three parameters (ifname, VPI/VCI, and proto) are mandatory.
#
# 'ifname' specifies the GigaRouter ATM logical interface in the usual
# format (e.g., ga030, ga0e80).
#
# 'VPI/VCI' specifies the (decimal) Virtual Path Identifier and
# Virtual Circuit Identifier of the PVC, separated by a slash (/).
#
# 'proto' specifies the protocol to be supported on this PVC.  Legal
# values are:
#      'ip'           Internet Protocol (with LLC/SNAP headers)
#      'raw'          raw adaptation layer (AAL-5 or AAL-3/4) packets
#      'isis'         IS-IS packets
#      'llc'          any LLC-encapsulated protocol supported by the GRF

```

```

# (except for RFC 1483 bridging)
# 'llc,bridging' any LLC-encapsulated protocol, including RFC 1483
# bridging [This is the PVC type for an interface using
# bridge_method=llc_encapsulated.]
# 'vcmux_bridge' bridged packets [This is a PVC type for an interface
# using bridge_method=vc_multiplexed.] An additional
# parameter specifies the protocol carried on the VC:
# ether_fcs Ethernet frames, with Frame Check Sequence
# ether_nofcs Ethernet frames, without Frame Check Sequence
# fddi_fcs FDDI frames, with Frame Check Sequence
# fddi_nofcs FDDI frames, without Frame Check Sequence
# bpdu 802.1D Bridging Protocol Data Units
# 'vc' IP datagrams [This is a PVC type for an interface using
# bridge_method=vc_multiplexed.]
# 'vc_atmp' atmp home network connections using VC Based
# Multiplexing.
#
# If the 'proto' specified is 'raw', the 'dest_if' parameter specifies the
# GigaRouter interface of the destination for this raw adaptation layer
# connection (specified in the same GigaRouter interface format
# described above), and (optionally) the dest_vc parameter specifies
# the destination VPI/VCI.
#
# the 'input_aal' parameter may be used to specify the adaptation layer,
# input_aal=3 specifies AAL-3/4
# input_aal=5 specifies AAL-5
#
# The optional 'traffic_shape' parameter allows a traffic shape
# to be defined for this logical interface (the 'shape_name' must be
# a named defined as a Traffic_Shape above).
#
# If no traffic shape is specified, a default shape of 155Kbps, high
# quality of service is used.
#
#PVC ga090 0/32 proto=ip traffic_shape=high_speed_high_quality
#PVC ga0980 0/32 proto=ip traffic_shape=high_speed_high_quality
#
#PVC ga0a0 1/33 proto=raw traffic_shape=high_speed_high_quality \
# dest_if=ga090 dest_vc=5/50 input_aal=5
#
#PVC ga0a80 1/33 proto=ip traffic_shape=high_speed_high_quality
#
#PVC ga0b0 0/40 proto=isis traffic_shape=high_speed_high_quality
#PVC ga0c0 0/41 proto=isis_ip traffic_shape=high_speed_high_quality
#
#PVC ga030 0/32 proto=llc,bridging
#
#PVC ga031 0/32 proto=vcmux_bridge,ether_nofcs
#PVC ga031 0/33 proto=vcmux_bridge,fddi_nofcs
#PVC ga031 0/34 proto=vcmux_bridge,bpdu
#
# Here come the different settings we used during
# the residency.
#
Traffic_Shape name=high_speed_high_quality \
    peak=155000 sustain=155000 burst=2048 qos=high
#
Traffic_Shape name=low_speed_high_quality \
    peak=15500 qos=high
#
# ATM OC-12c
Traffic_Shape name=bigg_speed_high_quality \

```

```

peak=622000 sustain=622000 burst=2048 qos=high

Signalling card=1 connector=top protocol=NONE
Signalling card=1 connector=bottom protocol=NONE

# Interface ga010 traffic_shape=high_speed_high_quality
# PVC ga010 0/132 proto=ip traffic_shape=high_speed_high_quality

Interface ga010 traffic_shape=high_speed_high_quality \
    bridge_method=vc_multiplexed
PVC ga010 0/132 proto=vcmux_bridge,bpdu
PVC ga010 0/133 proto=vcmux_bridge,ether_nofcs
PVC ga010 0/134 proto=vcmux_bridge,fddi_nofcs
PVC ga010 0/135 proto=llc
#PVC ga010 0/136 proto=ip

# Interface ga0180 traffic_shape=high_speed_high_quality
# PVC ga0180 0/134 proto=ip traffic_shape=high_speed_high_quality

Interface ga0180 traffic_shape=high_speed_high_quality \
    bridge_method=vc_multiplexed
PVC ga0180 0/144 proto=vcmux_bridge,bpdu
PVC ga0180 0/145 proto=vcmux_bridge,ether_nofcs
PVC ga0180 0/146 proto=vcmux_bridge,fddi_nofcs
PVC ga0180 0/147 proto=llc
#PVC ga0180 0/148 proto=ip

# OC-12c
Interface ga020 traffic_shape=bigg_speed_high_quality

PVC ga020 0/132 proto=ip traffic_shape=bigg_speed_high_quality

```

B.7 /etc/grclean.conf

This file contains the specifications on how to handle log file management on the GRF. It includes the file /etc/grclean.logs.conf, where the location of the log files in the filesystem is handled. See Appendix B.8, “/etc/grclean.logs.conf” on page 275 for further reference.

```

#####
# NetStar $Id: grclean.conf,v 1.1.0.4.1 1997/08/27 19:58:30 jeanne Exp $
#####
# grclean configuration file
# keyword      default          what is it
# -----
# include      <filename>      name of another config file to act on
# hold         7                  # of archives kept
# local        no                keep arch in same place as logfile
# remove       no                remove logfile after archival
# arch         none             archive name
# ash          none             command to execute after archival
# bsh          none             command to execute before archival
# nsh          none             command to execute if no archival
# zip          /usr/contrib/bin/gzip   zip/compress command
# zap          /usr/contrib/bin/gunzip unzip/uncompress command
# ext          auto             extension to use for compressed archive
# dir          /var/log          where to put the archives if ! local
# tmp          /tmp              tmp directory
# date         `/bin/date +%x %r`` date command for msgs
# size         0                size threshold for archive or not

```

```

# DEFAULTS      sets all of the above keywords to the above defaults.
#####

#####
# log files.
#####
include=/etc/grclean.logs.conf
#####

#####

#####
# port card dump files.
#####
hold=4
size=1
remove=y
local=y
logfile=/var/portcards/grdump.*
#####

```

B.8 /etc/grclean.logs.conf

This file is included from /etc/grclean.conf. Take special care of the location of the log files once a PCMCIA hard disk is installed. Refer to Section 3.3.2, "Installing the PCMCIA Spinning Disk" on page 76.

```

#      NetStar $Id: grclean.logs.conf,v 1.9.2.3 1997/08/27 19:58:31 jeanne Exp
$
#####
# grclean configuration file
# keyword      default          what is it
# -----
# include      <filename>      name of another config file to act on
# hold         7                    # of archives kept
# local        no                keep arch in same place as logfile
# remove       no                remove logfile after archival
# arch         none              archive name
# ash          none              command to execute after archival
# bsh          none              command to execute before archival
# nsh          none              command to execute if no archival
# zip          /usr/contrib/bin/gzip  zip/compress command
# zap          /usr/contrib/bin/gunzip unzip/uncompress command
# ext          auto              extension to use for compressed archive
# dir          /var/log           where to put the archives if ! local
# tmp          /tmp               tmp directory
# date         `/bin/date +%x %r`  date command for msgs
# size         0                  size threshold for archive or not
#####

#####
# of some interest.
# console log file.
# boot log file.
#####
ash=kill -1 `cat /var/run/syslog.pid`
hold=2
local=y

#####

```

```

# Log files that used to be archived by the /etc/{daily|weekly|monthly}
# scripts.
#####
size=10000
logfile=/var/account/acct
size=10000
logfile=/var/log/maillog
size=150000
logfile=/var/log/messages
size=10000
logfile=/var/log/daemon.log
size=10000
logfile=/var/log/cron
size=10000
logfile=/var/log/xferlog
size=10000
logfile=/var/log/httpd/access_log
size=10000
logfile=/var/log/httpd/error_log
size=10000
logfile=/var/log/ftp.log
size=10000
logfile=/var/log/kerberos.log
size=10000
logfile=/var/log/lpd-errs

size=10000
logfile=/var/log/gritd.packets
size=150000
logfile=/var/log/gr.console
size=11000
logfile=/var/log/gr.boot
size=150000
logfile=/var/log/grinchd.log
size=10000
logfile=/var/log/gr.conferrs
size=25000
logfile=/var/log/mib2d.log
size=25000
logfile=/var/tmp/gated.rip
size=25000
logfile=/var/log/mibmgrd.log
size=25000
logfile=/var/log/cli.log
size=75000
logfile=/var/log/fred.log

#####
# Process site specific clean conf, if any.
#####
include=/etc/grclean.site.conf

#####
# /var/tmp/core.* file cleanup.
#####
hold=1
remove=y
size=1024
logfile=/var/tmp/core.*

#####
# cleanup our own log file, if necessary.
#####

```

```

DEFAULTS
hold=2
local=y
size=10000
logfile=/var/log/grclean.log

```

B.9 /etc/grdev1.conf

This file normally gets updated automatically by the SNMP daemon running on the CWS.

```

#####
# DEV1 Configuration
#####
#
# There are several variables that an SP Adapter card needs at start up.
# These are handled by a set of GRINCHES whose descriptors are indexed
# by card number and interface number as follows:
#
#      2.21.{CARD+1}.1.{INTERFACE+1}
#
# This template specifies the start-up values for all potential cards
# in a 16-card GRF router.  Initially these are default values indicating
# that the card needs to be configured.
#
# The descriptors are grouped by card and interface so that a particular
# interface can be easily configured.
#
#####
#
# CARD 0 Interface 0
#
2.21.1.1.1.1      "00"          # Node Name
2.21.1.1.1.2      -1            # Node Number
2.21.1.1.1.3      "00:00:00:00:00:00:00:00:00:00" # Switch Token
2.21.1.1.1.4      2            # Switch ARP
2.21.1.1.1.5      0            # Switch Node Number
2.21.1.1.1.6      x0.0.0.0     # IP Address
2.21.1.1.1.7      x0.0.0.0     # Net Mask
2.21.1.1.1.8      1024         # Max Link Pckt Len.(bytes)
2.21.1.1.1.9      0            # IP Host Offset
2.21.1.1.1.10     1            # Configuration State
2.21.1.1.1.11     "no name"    # System Name
2.21.1.1.1.12     2            # Node State
2.21.1.1.1.13     0            # Switch Chip Link
2.21.1.1.1.14     64           # Node Delay (cycles)
2.21.1.1.1.15     1            # Admin Status
#
# CARD 1 Interface 0
#
2.21.2.1.1.1      "01"          # Node Name
2.21.2.1.1.2      -1            # Node Number
2.21.2.1.1.3      "00:00:00:00:00:00:00:00:00:00" # Switch Token
2.21.2.1.1.4      2            # Switch ARP
2.21.2.1.1.5      0            # Switch Node Number
2.21.2.1.1.6      x0.0.0.0     # IP Address
2.21.2.1.1.7      x0.0.0.0     # Net Mask
2.21.2.1.1.8      1024         # Max Link Pckt Len.(bytes)
2.21.2.1.1.9      0            # IP Host Offset
2.21.2.1.1.10     1            # Configuration State
2.21.2.1.1.11     "no name"    # System Name

```

```

2.21.2.1.1.12      2          # Node State
2.21.2.1.1.13      0          # Switch Chip Link
2.21.2.1.1.14      64         # Node Delay (cycles)
2.21.2.1.1.15      1          # Admin Status
#
# CARD 2 Interface 0
#
2.21.3.1.1.1       "02"       # Node Name
2.21.3.1.1.2       -1         # Node Number
2.21.3.1.1.3       "00:00:00:00:00:00:00:00" # Switch Token
2.21.3.1.1.4       2          # Switch ARP
2.21.3.1.1.5       0          # Switch Node Number
2.21.3.1.1.6       x0.0.0.0  # IP Address
2.21.3.1.1.7       x0.0.0.0  # Net Mask
2.21.3.1.1.8       1024      # Max Link Pckt Len.(bytes)
2.21.3.1.1.9       0          # IP Host Offset
2.21.3.1.1.10      1          # Configuration State
2.21.3.1.1.11      "no name" # System Name
2.21.3.1.1.12      2          # Node State
2.21.3.1.1.13      0          # Switch Chip Link
2.21.3.1.1.14      64         # Node Delay (cycles)
2.21.3.1.1.15      1          # Admin Status
#
# CARD 3 Interface 0
#
2.21.4.1.1.1       "03"       # Node Name
2.21.4.1.1.2       4          # Node Number
2.21.4.1.1.3       "00:00:00:01:00:00:00:06" # Switch Token
2.21.4.1.1.4       2          # Switch ARP
2.21.4.1.1.5       3          # Switch Node Number
2.21.4.1.1.6       x192.168.14.4 # IP Address
2.21.4.1.1.7       x255.255.255.128 # Net Mask
2.21.4.1.1.8       1024      # Max Link Pckt Len.(bytes)
2.21.4.1.1.9       1          # IP Host Offset
2.21.4.1.1.10      1          # Configuration State
2.21.4.1.1.11      sp21en0   # System Name
2.21.4.1.1.12      2          # Node State
2.21.4.1.1.13      1          # Switch Chip Link
2.21.4.1.1.14      31         # Node Delay
2.21.4.1.1.15      1          # Admin Status
#
# CARD 4 Interface 0
#
2.21.5.1.1.1       "04"       # Node Name
2.21.5.1.1.2       -1         # Node Number
2.21.5.1.1.3       "00:00:00:00:00:00:00:00" # Switch Token
2.21.5.1.1.4       2          # Switch ARP
2.21.5.1.1.5       0          # Switch Node Number
2.21.5.1.1.6       x0.0.0.0  # IP Address
2.21.5.1.1.7       x0.0.0.0  # Net Mask
2.21.5.1.1.8       1024      # Max Link Pckt Len.(bytes)
2.21.5.1.1.9       0          # IP Host Offset
2.21.5.1.1.10      1          # Configuration State
2.21.5.1.1.11      "no name" # System Name
2.21.5.1.1.12      2          # Node State
2.21.5.1.1.13      0          # Switch Chip Link
2.21.5.1.1.14      64         # Node Delay (cycles)
2.21.5.1.1.15      1          # Admin Status
#
# CARD 5 Interface 0
#
2.21.6.1.1.1       "05"       # Node Name
2.21.6.1.1.2       16         # Node Number

```



```

2.21.6.1.1.3      "00:00:00:01:00:00:00:07:00:03" # Switch Token
2.21.6.1.1.4      2 # Switch ARP
2.21.6.1.1.5      15 # Switch Node Number
2.21.6.1.1.6      x192.168.14.129 # IP Address
2.21.6.1.1.7      x255.255.255.128 # Net Mask
2.21.6.1.1.8      1024 # Max Link Pckt Len.(bytes)
2.21.6.1.1.9      -14 # IP Host Offset
2.21.6.1.1.10     1 # Configuration State
2.21.6.1.1.11     sp21en0 # System Name
2.21.6.1.1.12     2 # Node State
2.21.6.1.1.13     3 # Switch Chip Link
2.21.6.1.1.14     31 # Node Delay
2.21.6.1.1.15     1 # Admin Status
#
# CARD 6 Interface 0
#
2.21.7.1.1.1      "06" # Node Name
2.21.7.1.1.2      -1 # Node Number
2.21.7.1.1.3      "00:00:00:00:00:00:00:00:00:00" # Switch Token
2.21.7.1.1.4      2 # Switch ARP
2.21.7.1.1.5      0 # Switch Node Number
2.21.7.1.1.6      x0.0.0.0 # IP Address
2.21.7.1.1.7      x0.0.0.0 # Net Mask
2.21.7.1.1.8      1024 # Max Link Pckt Len.(bytes)
2.21.7.1.1.9      0 # IP Host Offset
2.21.7.1.1.10     1 # Configuration State
2.21.7.1.1.11     "no name" # System Name
2.21.7.1.1.12     2 # Node State
2.21.7.1.1.13     0 # Switch Chip Link
2.21.7.1.1.14     64 # Node Delay (cycles)
2.21.7.1.1.15     1 # Admin Status
#
# CARD 7 Interface 0
#
2.21.8.1.1.1      "07" # Node Name
2.21.8.1.1.2      -1 # Node Number
2.21.8.1.1.3      "00:00:00:00:00:00:00:00:00:00" # Switch Token
2.21.8.1.1.4      2 # Switch ARP
2.21.8.1.1.5      0 # Switch Node Number
2.21.8.1.1.6      x0.0.0.0 # IP Address
2.21.8.1.1.7      x0.0.0.0 # Net Mask
2.21.8.1.1.8      1024 # Max Link Pckt Len.(bytes)
2.21.8.1.1.9      0 # IP Host Offset
2.21.8.1.1.10     1 # Configuration State
2.21.8.1.1.11     "no name" # System Name
2.21.8.1.1.12     2 # Node State
2.21.8.1.1.13     0 # Switch Chip Link
2.21.8.1.1.14     64 # Node Delay (cycles)
2.21.8.1.1.15     1 # Admin Status
#
# CARD 8 Interface 0
#
2.21.9.1.1.1      "08" # Node Name
2.21.9.1.1.2      -1 # Node Number
2.21.9.1.1.3      "00:00:00:00:00:00:00:00:00:00" # Switch Token
2.21.9.1.1.4      2 # Switch ARP
2.21.9.1.1.5      0 # Switch Node Number
2.21.9.1.1.6      x0.0.0.0 # IP Address
2.21.9.1.1.7      x0.0.0.0 # Net Mask
2.21.9.1.1.8      1024 # Max Link Pckt Len.(bytes)
2.21.9.1.1.9      0 # IP Host Offset
2.21.9.1.1.10     1 # Configuration State
2.21.9.1.1.11     "no name" # System Name

```

```

2.21.9.1.1.12      2          # Node State
2.21.9.1.1.13      0          # Switch Chip Link
2.21.9.1.1.14      64         # Node Delay (cycles)
2.21.9.1.1.15      1          # Admin Status
#
# CARD 9 Interface 0
#
2.21.10.1.1.1      "09"       # Node Name
2.21.10.1.1.2      -1         # Node Number
2.21.10.1.1.3      "00:00:00:00:00:00:00:00:00:00:00" # Switch Token
2.21.10.1.1.4      2          # Switch ARP
2.21.10.1.1.5      0          # Switch Node Number
2.21.10.1.1.6      x0.0.0.0  # IP Address
2.21.10.1.1.7      x0.0.0.0  # Net Mask
2.21.10.1.1.8      1024      # Max Link Pckt Len.(bytes)
2.21.10.1.1.9      0          # IP Host Offset
2.21.10.1.1.10     1          # Configuration State
2.21.10.1.1.11     "no name"  # System Name
2.21.10.1.1.12     2          # Node State
2.21.10.1.1.13     0          # Switch Chip Link
2.21.10.1.1.14     64         # Node Delay (cycles)
2.21.10.1.1.15     1          # Admin Status
#
# CARD 10 Interface 0
#
2.21.11.1.1.1      "10"       # Node Name
2.21.11.1.1.2      -1         # Node Number
2.21.11.1.1.3      "00:00:00:00:00:00:00:00:00:00:00" # Switch Token
2.21.11.1.1.4      2          # Switch ARP
2.21.11.1.1.5      0          # Switch Node Number
2.21.11.1.1.6      x0.0.0.0  # IP Address
2.21.11.1.1.7      x0.0.0.0  # Net Mask
2.21.11.1.1.8      1024      # Max Link Pckt Len.(bytes)
2.21.11.1.1.9      0          # IP Host Offset
2.21.11.1.1.10     1          # Configuration State
2.21.11.1.1.11     "no name"  # System Name
2.21.11.1.1.12     2          # Node State
2.21.11.1.1.13     0          # Switch Chip Link
2.21.11.1.1.14     64         # Node Delay (cycles)
2.21.11.1.1.15     1          # Admin Status
#
# CARD 11 Interface 0
#
2.21.12.1.1.1      "11"       # Node Name
2.21.12.1.1.2      -1         # Node Number
2.21.12.1.1.3      "00:00:00:00:00:00:00:00:00:00:00" # Switch Token
2.21.12.1.1.4      2          # Switch ARP
2.21.12.1.1.5      0          # Switch Node Number
2.21.12.1.1.6      x0.0.0.0  # IP Address
2.21.12.1.1.7      x0.0.0.0  # Net Mask
2.21.12.1.1.8      1024      # Max Link Pckt Len.(bytes)
2.21.12.1.1.9      0          # IP Host Offset
2.21.12.1.1.10     1          # Configuration State
2.21.12.1.1.11     "no name"  # System Name
2.21.12.1.1.12     2          # Node State
2.21.12.1.1.13     0          # Switch Chip Link
2.21.12.1.1.14     64         # Node Delay (cycles)
2.21.12.1.1.15     1          # Admin Status
#
# CARD 12 Interface 0
#
2.21.13.1.1.1      "12"       # Node Name
2.21.13.1.1.2      -1         # Node Number

```

```

2.21.13.1.1.3      "00:00:00:00:00:00:00:00:00:00" # Switch Token
2.21.13.1.1.4      2          # Switch ARP
2.21.13.1.1.5      0          # Switch Node Number
2.21.13.1.1.6      x0.0.0.0   # IP Address
2.21.13.1.1.7      x0.0.0.0   # Net Mask
2.21.13.1.1.8      1024       # Max Link Pckt Len.(bytes)
2.21.13.1.1.9      0          # IP Host Offset
2.21.13.1.1.10     1          # Configuration State
2.21.13.1.1.11     "no name"  # System Name
2.21.13.1.1.12     2          # Node State
2.21.13.1.1.13     0          # Switch Chip Link
2.21.13.1.1.14     64         # Node Delay (cycles)
2.21.13.1.1.15     1          # Admin Status
#
# CARD 13 Interface 0
#
2.21.14.1.1.1      "13"       # Node Name
2.21.14.1.1.2      -1         # Node Number
2.21.14.1.1.3      "00:00:00:00:00:00:00:00:00:00" # Switch Token
2.21.14.1.1.4      2          # Switch ARP
2.21.14.1.1.5      0          # Switch Node Number
2.21.14.1.1.6      x0.0.0.0   # IP Address
2.21.14.1.1.7      x0.0.0.0   # Net Mask
2.21.14.1.1.8      1024       # Max Link Pckt Len.(bytes)
2.21.14.1.1.9      0          # IP Host Offset
2.21.14.1.1.10     1          # Configuration State
2.21.14.1.1.11     "no name"  # System Name
2.21.14.1.1.12     2          # Node State
2.21.14.1.1.13     0          # Switch Chip Link
2.21.14.1.1.14     64         # Node Delay (cycles)
2.21.14.1.1.15     1          # Admin Status
#
# CARD 14 Interface 0
#
2.21.15.1.1.1      "14"       # Node Name
2.21.15.1.1.2      -1         # Node Number
2.21.15.1.1.3      "00:00:00:00:00:00:00:00:00:00" # Switch Token
2.21.15.1.1.4      2          # Switch ARP
2.21.15.1.1.5      0          # Switch Node Number
2.21.15.1.1.6      x0.0.0.0   # IP Address
2.21.15.1.1.7      x0.0.0.0   # Net Mask
2.21.15.1.1.8      1024       # Max Link Pckt Len.(bytes)
2.21.15.1.1.9      0          # IP Host Offset
2.21.15.1.1.10     1          # Configuration State
2.21.15.1.1.11     "no name"  # System Name
2.21.15.1.1.12     2          # Node State
2.21.15.1.1.13     0          # Switch Chip Link
2.21.15.1.1.14     64         # Node Delay (cycles)
2.21.15.1.1.15     1          # Admin Status
#
# CARD 15 Interface 0
#
2.21.16.1.1.1      "15"       # Node Name
2.21.16.1.1.2      -1         # Node Number
2.21.16.1.1.3      "00:00:00:00:00:00:00:00:00:00" # Switch Token
2.21.16.1.1.4      2          # Switch ARP
2.21.16.1.1.5      0          # Switch Node Number
2.21.16.1.1.6      x0.0.0.0   # IP Address
2.21.16.1.1.7      x0.0.0.0   # Net Mask
2.21.16.1.1.8      1024       # Max Link Pckt Len.(bytes)
2.21.16.1.1.9      0          # IP Host Offset
2.21.16.1.1.10     1          # Configuration State
2.21.16.1.1.11     "no name"  # System Name

```

2.21.16.1.1.12	2	# Node State
2.21.16.1.1.13	0	# Switch Chip Link
2.21.16.1.1.14	64	# Node Delay (cycles)
2.21.16.1.1.15	1	# Admin Status

B.10 /etc/grifconfig.conf

This file documents the correlation of the logical interfaces on the media cards in the GRF to IP addresses, together with some other information, like MTU.

```
#      NetStar $Id: grifconfig.conf,v 1.10.2.3 1997/08/01 17:24:04 pargal Exp $
#
# Configuration file for GigaRouter/GRF interfaces.
#
# The contents of this file specify the IP addressing information for
# the networks attached to the system's interfaces. This includes
# interfaces on media cards as well as directly attached interfaces
# such as de0 or ef0 (maintenance Ethernet) or lo0 (software loopback).
#
# The addresses of directly attached interfaces are configured
# directly from this file by the /etc/netstart calling the grifconfig(8)
# script.
#
# The addresses of the interface(s) on a given media card are
# configured into the BSD/OS kernel when the media card boots and
# comes on line.
#
# Each entry in this file has the following format:
#
# name address          netmask          broad_dest    arguments
#
# The name of a GigaRouter interface encodes the hardware type,
# GigaRouter cage number, slot number, and interface number.
#
# -- The first character must be 'g' (to specify a GigaRouter
# interface).
# -- The second character is the hardware type of the
# interface: 'a' for ATM, 'e' for ETHERNET,
# 'f' for FDDI, 'h' for HIPPI, 'p' for PPP, 's' for HSSI.
# ('l' is also used, for GigaRouter software loopback.)
# -- The third character is the number of the GigaRouter cage.
# (Currently this must be '0', as multiple GigaRouter cages
# are not yet supported.)
# -- The fourth character is the hex digit (0 through f) of
# the slot number within the GigaRouter cage.
# -- The fifth (and sixth) characters specify the number of the
# LOGICAL interface on the card:
#
#           For ATM cards, the fifth and sixth characters are
#           the hex digits of the logical interface. Logical
#           interfaces numbered from 0 to 7f are on the top
#           physical connector on the ATM card, and logical
#           interfaces numbered 80 to ff are on the bottom
#           physical connector. NOTE: These logical interface
#           numbers are NOT the same as the VPI/VCI numbers
#           of a PVC (see /etc/grpvc.conf for that).
#
#           For FDDI cards, the fifth character will be 0, 1,
#           2, or 3 to specify the logical interface on the
```

```

#           FDDI card. NOTE: The logical interface number
#           may be different from the physical interface on
#           the card, depending on the single- or dual-
#           attachedness of the various interfaces. Examples:
#           "gf073" specifies the bottom-most connector
#           on the FDDI card in slot 7; "gf020" specifies
#           top-most connector on the FDDI card in slot 2,
#           or the top TWO connectors on that card if they're
#           configured dual-attached.
#
#           For ETHERNET cards, the fifth character will be 0, 1,
#           2, 3, 4, 5, 6 or 7 to specify the physical interface
#           on the ETHERNET card.
#           Examples:
#           "ge067" specifies the 8th physical connector
#           on the ETHERNET card in slot 6.
#           "ge000" specifies the first (top) connector on the
#           ETHERNET card in slot 0.
#           "ge0f7" specifies the last (bottom) connector on the
#           ETHERNET card in slot 15.
#
#           For HIPPI cards, which only have one interface,
#           the fifth character is always 0. Example:
#           "gh0f0" specifies the interface for a HIPPI card
#           in slot 15.
#
# The IP "address", "netmask" (optional), and "broad_dest" (optional)
# address fields must be specified in canonical IP dotted-quad notation.
# An entry of "-" (a single hyphen) may be specified for any of these
# fields as a place-holder. This may be useful, e.g., if no netmask
# is desired but a broadcast or destination address must be specified
# in the next field.
#
#
# For this release, the "broad_dest" field specifies the broadcast
# IP address for Ethernet & FDDI interfaces, and the destination of
# a point-to-point ATM or HIPPI interface.
#
# The "arguments" field is for any additional arguments to be supplied
# to the underlying ifconfig(8) command that will be executed by
# grifconfig(8). The most useful purpose would be to specify an
# MTU value for the interface using the "mtu" keyword of ifconfig(8).
# The keyword "iso" can also be specified here which designates the current
# line as an iso address entry.
# See the example entry below, and the man page for ifconfig(8).
#
#
# NOTE: All interface names are case sensitive ! Always use lower case letters
#       when defining interface names.
#
#
# name  address                netmask          broad_dest      arguments
#
#de0    192.0.2.1                255.255.255.0   192.0.2.255    mtu 1024
#lo0    127.0.0.1                255.0.0.0
#gl000  127.0.1.1
# configuration for iso addresses
#gf0xx  49.0000.80.3260.3260.3260.00 49.0000.80 -    iso

# All possible IOSTB3 Interfaces

# gt000 0.0.0.0                255.255.255.0 -    mtu 65520
#gt010 0.0.0.0                255.255.255.0 -    mtu 65520

```

```

#gt020 0.0.0.0 255.255.255.0 - mtu 65520
gt030 192.168.14.4 255.255.255.128 - mtu 65520
#gt040 192.168.14.129 255.255.255.128 - mtu 65520
gt050 192.168.14.129 255.255.255.128 - mtu 65520
#gt060 0.0.0.0 255.255.255.0 - mtu 65520
#gt070 0.0.0.0 255.255.255.0 - mtu 65520
#gt080 0.0.0.0 255.255.255.0 - mtu 65520
#gt090 0.0.0.0 255.255.255.0 - mtu 65520
#gt0a0 0.0.0.0 255.255.255.0 - mtu 65520
#gt0b0 0.0.0.0 255.255.255.0 - mtu 65520
#gt0c0 0.0.0.0 255.255.255.0 - mtu 65520
#gt0d0 192.168.13.16 255.255.255.0 - mtu 65520
#gt0e0 0.0.0.0 255.255.255.0 - mtu 65520
#gt0f0 0.0.0.0 255.255.255.0 - mtu 65520
de0 192.168.4.4 255.255.255.0
#ga010 10.1.1.1 255.255.255.0 - mtu 9180
#ga0180 10.1.2.1 255.255.255.0 10.1.2.1
bgl 10.1.1.1 255.255.255.0 - mtu 9180
# gf000 10.2.1.15 255.255.255.0 - mtu 4352
# gf001 10.3.1.16 255.255.255.0 - mtu 4352
# gf002 10.4.1.17 255.255.255.0 - mtu 4352
# gf003 10.5.1.18 255.255.255.0 - mtu 4352
bg0 10.10.1.13 255.255.255.0 - mtu 4352
ge070 10.20.30.1 255.255.255.0 - mtu 1500
#ge071 192.168.4.71 255.255.255.0 - mtu 1500
#ge072 192.168.4.72 255.255.255.0 - mtu 1500
#ge073 192.168.4.73 255.255.255.0 - mtu 1500
#ge074 192.168.4.74 255.255.255.0 - mtu 1500
#ge075 192.168.4.75 255.255.255.0 - mtu 1500
#ge076 192.168.4.76 255.255.255.0 - mtu 1500
#ge077 192.168.4.77 255.255.255.0 - mtu 1500
gh080 10.50.1.1 255.255.255.0 - mtu 65280
# ga020 10.20.30.1 255.255.255.0 - mtu 9180

```

B.11 /etc/grlamap.conf

This file contains the mapping of logical addresses to destination portcards for HIPPI interfaces. We used this file in Section 7.3, "HIPPI Backbone Connection" on page 227.

```

# NetStar $Id: grlamap.conf,v 1.1 1995/02/09 20:29:27 scotth Exp $
#
#####
#
# There are 3 fields to determine how logical addresses get
# mapped to destination portcards for each hippi portcard.
#
# The first field is a comma separated list which determines the
# portcard on which the other 2 fields will apply.
# Ranges are allowed. i.e., 1,4-9,15 == 1,4,5,6,7,8,9,15
# '*' signifies that all portcards get this mapping.
#
# The second field is a comma separated list of logical addresses being mapped.
# Ranges are allowed.
# values: 0 - 4095 inclusive, '*' signifies the default (i.e., all IAs).
#
# The third field is a comma separated list of destination port cards.
# Only the first 4 values will be taken as valid, any extra values will
# be flagged invalid, a message will be printed to gr.console & grlamap will

```

```

# exit.
# If only 3 values are designated, the first value will be repeated as the
# fourth value.
#
# No whitespace is allowed in any field.
#
# ie.
# 5,6 997,998 1,0x4,8,15
# When port cards 5 & 6 receive an IP packet with a logical address of 997 or
# 998, it will then attempt to randomly forward the packet to one of the
# mapped ports 1, 4, 8 or 15.
#
#####
#*      *      5          # default mapping for all LAs for all portcards.
#5      *      6          # default mapping for LAs for portcard 5.
#####
# IP mapping.
#####
# *      0xfc0  3,8      # default mapping of IP for all portcards.
# *      0xfc0  0x40     # default mapping of IP for all portcards.
#####
#5      1-100  9          # default mapping for LAs for portcard 5.
#5      100-200 4        # default mapping for LAs for portcard 5.

```

B.12 /etc/grroute.conf

Contains the default route one is supposed to provide during first installation. Routes to selected networks may also be entered here and will be brought up automatically during start up procedures of the SP Switch Router.

```

#      NetStar $Id: grroute.conf,v 1.3 1995/03/15 22:09:07 knight Exp $
#
# grroute.conf -- configuration file for GigaRouter static remote routes
#
# This file should only contain routes to remote networks and
# hosts--i.e., networks and hosts not directly attached to a
# GigaRouter interface. Routes for networks directly attached
# to the GigaRouter are created as part of configuring the
# GigaRouter interfaces; see /etc/grifconfig.conf.
#
# NOTE: THIS FILE SHOULD NOT BE USED ON SYSTEMS WITH DYNAMIC
# ROUTING (gated). If you are running gated, then you should specify
# static routes using the "static" statement in /etc/gated.conf.
#
# Whenever a port card boots, comes on line and has its interface(s)
# configured, the routes specified in this file that are for gateways
# on the network(s) directly attached to those interface(s) are
# configured into the BSD/386 kernel.
#
# The format of each line is follows:
#
#      destination      netmask      gateway/next hop
#
# The destination is the IP address of the remote host or network.
# For the default route, specify a destination of "0.0.0.0" or the
# word "default".
#
#

```

```

# A netmask is required for all entries in this configuration file.
#
# The netmask is normally the mask of the remote network:
#
#     192.0.2.0      255.255.255.0   123.45.67.89
#
# For remote host routes, specify a netmask of 255.255.255.255:
#
#     192.0.2.1      255.255.255.255 123.45.67.89
#
# In the case of the default route (0.0.0.0), the netmask is ignored,
# but some value must be present for the file to parse correctly.
#
#
# destination      netmask      gateway/next hop
#
#0.0.0.0           0.0.0.0      192.0.2.2
default           0.0.0.0      192.168.4.137
#
# preferred routes during the residency
#
# 192.168.13.0      255.255.255.0 10.1.1.2
192.168.13.0      255.255.255.0 10.20.30.2

```

B.13 /etc/hosts

The file /etc/hosts contains the correlation between IP addresses and hostnames.

```

#
# Host Database
# This file should contain the addresses and aliases
# for local hosts that share this file.
# It is used only for "ifconfig" and other operations
# before the nameserver is started.
#
#
# 127.1             localhost
#
# 10.200.160.3     install1.venus
192.168.4.4       grf16.msc.itso.ibm.com grf16
192.168.4.137     sp21en0.msc.itso.ibm.com sp21cw0

```

B.14 /etc/inetd.conf

This file is included here just for curiosity in case you are interested in why ftp to the GRF is not possible.

```

#
#      BSDI      $Id: inetd.conf,v 2.2 1996/01/02 19:55:38 polk Exp $
#      @(#)inetd.conf  8.2 (Berkeley) 3/18/94
#
#ftp  stream  tcp    nowait  root    /usr/libexec/tcpd    ftpd -l -A
telnet  stream  tcp    nowait  root    /usr/libexec/tcpd    telnetd
#shell  stream  tcp    nowait  root    /usr/libexec/tcpd    rshd
#login  stream  tcp    nowait  root    /usr/libexec/tcpd    rlogind -a
#exec  stream  tcp    nowait  root    /usr/libexec/tcpd    rexecd

```



```

#uucpd stream tcp nowait root /usr/libexec/tcpd uucpd
#finger stream tcp nowait nobody /usr/libexec/tcpd fingerd
#tftp dgram udp wait nobody /usr/libexec/tcpd tftpd
#comsat dgram udp wait root /usr/libexec/tcpd comsat
#ntalk dgram udp wait root /usr/libexec/tcpd ntalkd
#pop stream tcp nowait root /usr/libexec/tcpd popper
#ident stream tcp nowait sys /usr/libexec/identd identd -l
#bootp dgram udp wait root /usr/libexec/tcpd bootpd -t 1
#echo stream tcp nowait root internal
#discard stream tcp nowait root internal
#chargen stream tcp nowait root internal
#daytime stream tcp nowait root internal
#tcpmux stream tcp nowait root internal
#time stream tcp nowait root internal
#echo dgram udp wait root internal
#discard dgram udp wait root internal
#chargen dgram udp wait root internal
#daytime dgram udp wait root internal
#time dgram udp wait root internal
# amanda dgram udp wait operator /usr/contrib/lib/amanda/amandad
 amandad
# Kerberos authenticated services
#klogin stream tcp nowait root /usr/libexec/rlogind rlogind -k
#eklogin stream tcp nowait root /usr/libexec/rlogind rlogind
-k -x
#kshell stream tcp nowait root /usr/libexec/rshd rshd -k
# Services run ONLY on the Kerberos server
#krbupdate stream tcp nowait root /usr/libexec/registerd registerd
#kpasswd stream tcp nowait root /usr/libexec/kpasswd kpasswd

```

B.15 /etc/motd

This file contains the greeting message of the system and within this information about the running version and release of the operating system.

Complement this information with the content of Appendix B.2, “/etc/Release” on page 263.

```
Ascend Embedded/OS GR TA1.4.6.4 Kernel #0 (nit): Wed Mar 4 10:10:10 CST 1998
```

```
Ascend Embedded/OS 1.4.6
```

```
Copyright 1992,1993,1994,1995,1996,1997,1998 Ascend Communications, Inc.
```

```
IMPORTANT: By use of this software you become subject to the terms and
conditions of the license agreement on file /etc/license and any other
license agreements previously provided to you by Ascend Communications.
```

B.16 /etc/rc.local

Use this file for local modifications that are to be carried out during boot.

```

#c
#c (c) COPYRIGHT 1992-1996, NetStar, Inc.
#c All rights reserved
#c
#c NetStar, Inc. CONFIDENTIAL AND PROPRIETARY
#c This product is the sole property of NetStar, Inc.

```

```

#c      and is protected by U.S. and other copyright laws and the
#c      laws protecting trade secret and confidential information.
#c
#c      This product contains trade secret and confidential
#c      information, and its unauthorized disclosure is prohibited.
#c
#c      Reproduction, utilization and transfer of rights to this
#c      product, whether in source or binary form, is permitted
#c      only pursuant to a written agreement signed by an authorized
#c      officer of NetStar, Inc.
#c
#
#      NetStar $Id: rc.local,v 1.1 1997/01/15 07:45:03 stuart Exp $
#
# Site-specific script for local startup daemons and other actions.

# By default on a GRF, there, there are no local daemons, so
# just comment out the echo-logic that BSD/OS uses at startup.
# Uncomment this line (and the trailing "echo '.'" line below)
# if you really do have local daemons and want this sort of
# pretty-printing at system startup.
#echo -n 'starting local daemons:'

# An example of starting a local daemon.
# Uncomment, replicate, and modify as needed for your local daemons.
#echo -n " local_daemon";      /usr/local/bin/local_daemon

# Terminate the pretty-print list of local daemons we started.
#echo '.'

# Put other local customizations here...

# Have to put this in here on demand. See README for 1.4.6.4
sysctl -w net.inet.ip.fwdirbcast=1

# Exit with a successful return status.
exit 0

```

B.17 /etc/snmpd.conf

This file is used to specify access and control permissions to the snmp demon. During first installation, the CWS has to be added to this file; see Section 3.8, "Step 1. Check SNMP in the SP Switch Router System" on page 88 and Section 3.9, "Put SNMP Changes into Effect" on page 89.

```

#
# Default Agent Configuration File
#
#      This file allows MANAGERS to be specified. This is used to
#      specify which managers will be receiving which traps.
#
#      Also, COMMUNITYs can be specified. This allows that agent to
#      be configured such that it will only except requests from
#      certain managers and with certain community strings.
#
# GRAMMAR:
#
#      INITIAL      <name> <String>
#
#      TRANSPORT    <name>

```

```

#           [SNMP | SMUX]
#           [OVER [UNIX | UDP | TCP] [SOCKET | TLI]]
#           [AT <addr>]
#
# MANAGER      <addr> [ON TRANSPORT <name>]
#               [SEND [ALL | NO | traplist] TRAPS
#                 [TO PORT <#> ]
#                 [WITH COMMUNITY <name>]]
#
# COMMUNITY    <name>
#               ALLOW op [,op]* [OPERATIONS]
#               [AS <name>]
#               [USE encrypt ENCRYPTION]
#               [MEMBERS          <addr> [,<addr>] ]
#
#
#
# ALLOW <subagentId> [ON <hostSpec>]
#           WITH <passwordSpec> [<entitySpec>] [<timeout>]
#
# DENY <subagentId> ON <hostSpec> WITH <passwordSpec>
#
# ENTITY <EntityName> DESCRIPTION <String>
#
# LOCAL CONTEXT <contextName> [USES] VIEW <viewName>
#           REFERS TO ENTITY <entityName> AS <oid>
#
# PROXY CONTEXT <oid> [USES] SOURCE PARTY <oid>
#           DESTINATION PARTY <oid>
#           [AND] CONTEXT <oid>
#
# VIEW <viewName> [[INCLUDE | EXCLUDE] SUBTREE <oid> [MASK <bitmask>]]+
#
# ALLOW op [,op]* [OPERATIONS] <sugar> SOURCE PARTY <partyName>
#           DESTINATION PARTY <partyName>
#           [AND] CONTEXT <contextName>
#
# <partyDefinition> ::= [LOCAL] PARTY <name> ON TRANSPORT <transport>
#           AT <addr> <AuthPriv>
#           AS <oid>
#
# <transport> ::= [ snmpUDPDomain | snmpCLNSDomain | snmpCONSDomain |
#           snmpDDPDomain | snmpIPXDomain | rfc1157Domain
#
# <transport> ::=
# <AuthPriv> ::= <noAuth> <noPriv> |
#           <md5Auth> <noPriv> |
#           <md5Auth> <desPriv>
#
# <noAuth> ::= <sugar> NO AUTHENTICATION
#
# <sugar> ::= [AND] [[WITH | USING]]
#
# <noPriv> ::= <sugar> NO ENCRYPTION
#
# <md5Auth> ::= <sugar> MD5 AUTHENTICATION <key>
#
# <key> ::= <sugar> <string> AS KEY
#
# <desPriv> ::= <sugar> DES ENCRYPTION <key>
#
# <subagentId> ::= SUBAGENT <oid> |
#           SMUX SUBAGENT <oid> |

```

```

#                               UNSPECIFIED SUBAGENTS
#
# <hostSpec> ::= HOST <hostid> |
#               UNSPECIFIED HOST[S]
#
# <passwordSpec> ::= PASSWORD <string>
#                  UNSPECIFIED PASSWORDS
#
# entitySpec ::= AS ENTITY <entityName>
#
# <timeout> ::= USING <specificTimeout> TIMEOUT
# <specificTimeout> ::= <number> SECOND[S] |
#                       NO
#
# addr ::=      <ip-kind> | <rfc1449addr> | <full-ip>
# ip-kind ::=  <hostid> |
#              <hostid> <portid> |
#              <portid>
#
# hostid ::=   <hostname> | <ip>
#              where: hostname is defined in /etc/host
# portid ::=   [PORT | : ] <#>
#
# full-ip ::=  <ip>:<#>
# ip ::=       <#>.<#>.<#>.<#>
# traplist ::= trap [ , trap]*
# trap ::=    <trap_name>
#
#
# op ::=      ALL | GET | SET | TRAP
# encrypt ::= NO | <name>
#
# rfc1449addr ::= tcp_ip_addr | osi_addr
# tcp_ip_addr ::= <ip>/<#>
# osi_addr ::= <nsap>/<tssel>
# nsap ::= hexes
# tssel ::= hexes
# hexes = hexbyte[: hexbyte]*
#
#
ALLOW          SUBAGENT 1.3.6.1.4.1.1080.1.1.1
                WITH OTHER PASSWORD
                USE 15 SECOND TIMEOUT

COMMUNITY      public
                ALLOW GET OPERATIONS
                USE NO ENCRYPTION

MANAGER        192.168.4.137
                SEND ALL TRAPS
                TO PORT 162
                WITH COMMUNITY spenmgmt

MANAGER        192.168.3.37
                SEND ALL TRAPS
                TO PORT 162
                WITH COMMUNITY spenmgmt

COMMUNITY      spenmgmt
                ALLOW ALL OPERATIONS
                USE NO ENCRYPTION

```

B.18 /etc/syslog.conf

Use this file to specify the type of logging in the system. If no additional hard disk is installed, logging can be directed to another network attached system; otherwise local files are used.

Stanzas in /etc/grcons.log.conf determine how large the respective files may grow and how many versions are kept of them.

```
# NetStar $Id: syslog.conf,v 1.6.4.3 1997/09/15 14:57:37 pargal Exp $
#
# To enable the logging of system messages on GRF systems, edit the
# entries in the "Log messages to Network" section below.
#
# - uncomment the lines in the "Log messages to Network" section
#   of this config file (just below these instructions)
#
# - change "server.domain.com" to the name of a syslog server on
#   your local network to which this router may send log messages
#
# - add the IP address of the log server and its host name to /etc/hosts
#   on this GRF system.
#
# - run "grwrite -v" command to save your changes to
#   /etc/syslog.conf and /etc/hosts
#
# - add the following lines to the /etc/syslog.conf on your log server:
#   (do not include the # from the first column of this file, ie.,
#   add "local5.* /var/log/mib2d.log" not "#local5.* /var/...")
#
#
#   #
#   # Syslog configuration for syslog server systems
#   # GRF-specific log files (from GRF systems over the network)
#   #
#   local0.info          /var/log/gritd.packets
#   local1.info          /var/log/gr.console
#   local2.*             /var/log/gr.boot
#   local3.*             /var/log/grinchd.log
#   local4.*             /var/log/gr.conferrs
#   local5.*             /var/log/mib2d.log
#   local6.*             /var/log/fred.log
#
# - kill and restart syslogd on your syslog server machine after making
#   sure that the log files added to the config file exist
#   on the log server machine exist (use the "touch" command
#   to create them if they do not exist, then restart syslogd
#   on the syslog server machine).
#
# - kill and restart syslogd on the GRF router (or reboot the GRF).
#
# To uncomment, remove "#net#" from each line in this section
#
#
# Log messages to Network
#
#net#*.err;kern.debug;auth.notice;mail.crit      @server.domain.com
#net#*.notice;kern.debug;lpr,auth.info;mail.crit @server.domain.com
```

```

#net#cron.info @server.domain.com
#net#local0.info @server.domain.com
#net#local1.info @server.domain.com
#net#local2.* @server.domain.com
#net#local3.* @server.domain.com
#net#local4.* @server.domain.com
#net#local5.* @server.domain.com
#net#local6.* @server.domain.com

# -----
# GRF users need not read further - the following configuration examples
# are for IRMS systems
# -----

#
# On IRMS systems (which have sufficient disk space) system messages
# may be logged to disk by uncommenting the lines in the "Log messages to disk"
# section below, touching the log file names to make sure they exist and
# then restarting syslogd.
#
# Note: using the "Log messages to Disk" entries to log messages to
# the RAM-based file system on a GRF system is strongly discouraged
# because the log files can easily fill the RAM file system.
#
# To uncomment, remove "#disk#" from each line in this section
#

#
# Log messages to Disk
#
*.err;*.notice;kern.debug;lpr,auth.info;mail.crit /var/log/messages
cron.info /var/log/cron
local0.info /var/log/gritd.packets
local1.info /var/log/gr.console
local2.* /var/log/gr.boot
local3.* /var/log/grinchd.log
local4.* /var/log/gr.conferrs
local5.* /var/log/mib2d.log
local6.* /var/log/fred.log

*.notice;auth.debug root
*.emerg *

```

B.19 /etc/ttys

In this file, the terminals for direct attachment to the GRF as well as the pseudo terminal for network access (Telnet) are defined. If they are marked as secure, they are active and can be used.

```

# BSDI ttys,v 2.1 1995/02/03 05:54:46 polk Exp
#
# @(#)ttys 5.2 (Berkeley) 6/10/93
#
# Removing the secure flag from console will also cause init to require
# the root password before going into single-user mode. You can disable
# this by recompiling init without the -DSECURE option.
#
# Use ``kill -HUP 1`` to make init(8) re-read this file when changes are made.
#

```

292 IBM 9077 SP Switch Router: Get Connected to the SP Switch

```

# Changes to the order of entries or number of ttys should only be made in
# single-user mode.
#
# name  getty                                type  status  comments
#
console "/usr/libexec/getty pcon"          vt100  on  secure

# Virtual consoles (named after the function key used to reach them)
ttyc2  "/usr/libexec/getty pcon"            ibmpc3 off  secure
ttyc3  "/usr/libexec/getty pcon"            ibmpc3 off  secure
ttyc4  "/usr/libexec/getty pcon"            ibmpc3 off  secure
ttyc5  "/usr/libexec/getty pcon"            ibmpc3 off  secure
ttyc6  "/usr/libexec/getty pcon"            ibmpc3 off  secure
ttyc7  "/usr/libexec/getty pcon"            ibmpc3 off  secure
ttyc8  "/usr/libexec/getty pcon"            ibmpc3 off  secure

# PC COM ports (tty00 is DOS COM1)
tty00  "/usr/libexec/getty std.9600"        unknown off
tty01  "/usr/libexec/getty std.9600"        unknown off
tty02  "/usr/libexec/getty t9600-hf"        vt100  on  secure
tty03  "/usr/libexec/getty std.9600"        unknown off

ttyp0  none                                  network secure
ttyp1  none                                  network secure
ttyp2  none                                  network secure
ttyp3  none                                  network secure
ttyp4  none                                  network secure
ttyp5  none                                  network secure
ttyp6  none                                  network
ttyp7  none                                  network
ttyp8  none                                  network
ttyp9  none                                  network
ttypa  none                                  network
ttypb  none                                  network
ttypc  none                                  network
ttypd  none                                  network
ttype  none                                  network
ttypf  none                                  network
ttyq0  none                                  network
ttyq1  none                                  network
ttyq2  none                                  network
ttyq3  none                                  network
ttyq4  none                                  network
ttyq5  none                                  network
ttyq6  none                                  network
ttyq7  none                                  network
ttyq8  none                                  network
ttyq9  none                                  network
ttyqa  none                                  network
ttyqb  none                                  network
ttyqc  none                                  network
ttyqd  none                                  network
ttyqe  none                                  network
ttyqf  none                                  network
ttyr0  none                                  network
ttyr1  none                                  network
ttyr2  none                                  network
ttyr3  none                                  network
ttyr4  none                                  network
ttyr5  none                                  network
ttyr6  none                                  network
ttyr7  none                                  network
ttyr8  none                                  network

```

ttyr9	none	network
ttyra	none	network
ttyrb	none	network
ttyrc	none	network
ttyrd	none	network
ttyre	none	network
ttyrf	none	network
ttys0	none	network
ttys1	none	network
ttys2	none	network
ttys3	none	network
ttys4	none	network
ttys5	none	network
ttys6	none	network
ttys7	none	network
ttys8	none	network
ttys9	none	network
ttysa	none	network
ttysb	none	network
ttysc	none	network
ttysd	none	network
ttyse	none	network
ttysf	none	network

Appendix C. Hardware and Software Information

Appendix C gives an overview of the LEDs on the front panel of the SP Switch Adapter card and shows tables with the meaning of the LEDs' blinking patterns.

A diagram of the chip interconnections on a TBS Switch Board is provided for a quick reference in helping you to find out the correct Switch port numbers or the correct jack.

You will get some information about updating the IBM 9077 software and how to get updates.

C.1 The Front Panel of the SP Switch Router Adapter Card - Operational

Figure 72 shows the front panel of the Switch Router adapter:

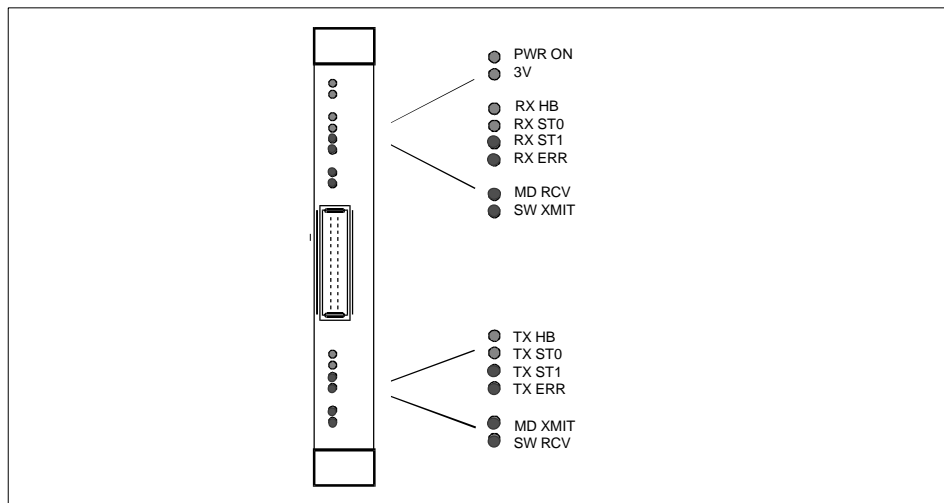


Figure 72. Front Panel of the SP Switch Router Adapter Card with LEDs

C.2 SP Switch Router Adapter Media Card LEDs

LED activities during operations are listed in Table 52 on page 296 and Table 53 on page 296. LED activities during bootup are described in Table 54 on page 297.

Table 52. SP Switch Router Adapter Media Card LEDs

LED	Description
PWR ON	This green LED is on when 5 volts are present.
3V	This green LED is on when 3 volts are present.
RX HB	This green LED blinks to show the heartbeat pattern for the receiver.
MD RCV	This amber LED turns on when data is received from its media port (RS/6000 SP Switch).
SW XMIT	This amber LED turns on when data is sent to the crosspoint switch (through the serial daughter board).
TX HB	This green LED blinks to show the heartbeat pattern for the transmit side CPU.
MD XMIT	This amber LED turns on when data is transmitted from its media port (RS/6000 SP Switch).
SW RCV	This amber LED turns on when data is received from the crosspoint switch (through the serial daughter card).

Table 53. SP Switch Router Adapter Media Card LEDs - RX/TX

RX/TX ST0 (green)	RX/TX ST1 (amber)	RX/TX ERR (amber)	Description
on	on	on	STATE_0 for hardware initialization.
off	on	on	STATE_1 for software initialization. Port waiting for configuration parameters.
on	off	on	STATE_2 for configuration parameters in place. Port waiting to be connected.
off	off	on	STATE_3 for port is connected and link is good. The media adapter is ready to be online.
on	off	on	STATE_4 for port is online and running/routing.

C.3 SP Switch Router Adapter Media Card - Bootup

Table 54 shows the settings for the Switch Router Adapter Media Card LEDs during bootup.

Table 54. SP Switch Router Adapter Media Card LEDs During Bootup

RX/TX HB (green)	RX/TX ST0 (green)	RX/TX ST1 (amber)	RX/TX ERR (amber)	Description
on	on	on	on	All LEDs are lit for 0.5 seconds during reset as part of onboard diagnostics.
off	off	off	on	Error condition: checksum error is detected in flash memory.
on	off	on	off	Error condition: SRAM fails memory test.
on	off	off	on	During loading, HB and ST1 flash as each section of the code loads.

C.4 Connectors and Receptacles for Different Media

Table 55 gives you a comprehensive overview of all the supported cables and connectors for the various media cards.

Table 55. Media Card Cables and Connectors

Media Card	Cable Support	Connector
SP Switch	SP Switch Cable (5, 10, 15, 20m)	2-row, 50-pin shielded tab connector
ATM OC-3c Multimode	Two 62.5/125 micron fiber optic cables	Duplex SC transceiver
ATM OC-3c Singlemode	Two 9/125 micron fiber optic cables	Duplex SC transceiver
ATM OC-12c Multimode	One 62.5/125 micron fiber optic cables	Duplex SC transceiver
ATM OC-12c Singlemode	One 9/125 micron fiber optic cables	Duplex SC transceiver
10/100 Base T	Four/Eight STP or UTP CAT5 cable	RJ 45
FDDI	Four multimode cables (62.5/125 micron)	MIC transceiver
HIPPI	Two twisted-pair copper cable	
HSSI	Two 25 twisted-pair shielded coax cables	2-row, 50-pin receptacle heads
IP/SONET OC-3c Singlemode	One 9/125 micron fiber optic cables	Duplex SC transceiver
IP/SONET OC-3c Multimode	One 62.5/125 micron fiber optic cables	Duplex SC transceiver

C.5 Chip Interconnection on the TBS Board

Figure 73 on page 299 is taken from the Redbook *RS/6000 SP: Problem Determination Guide*, SG24-4778-00, Chapter 4.2 "Reviewing Switch Boards".

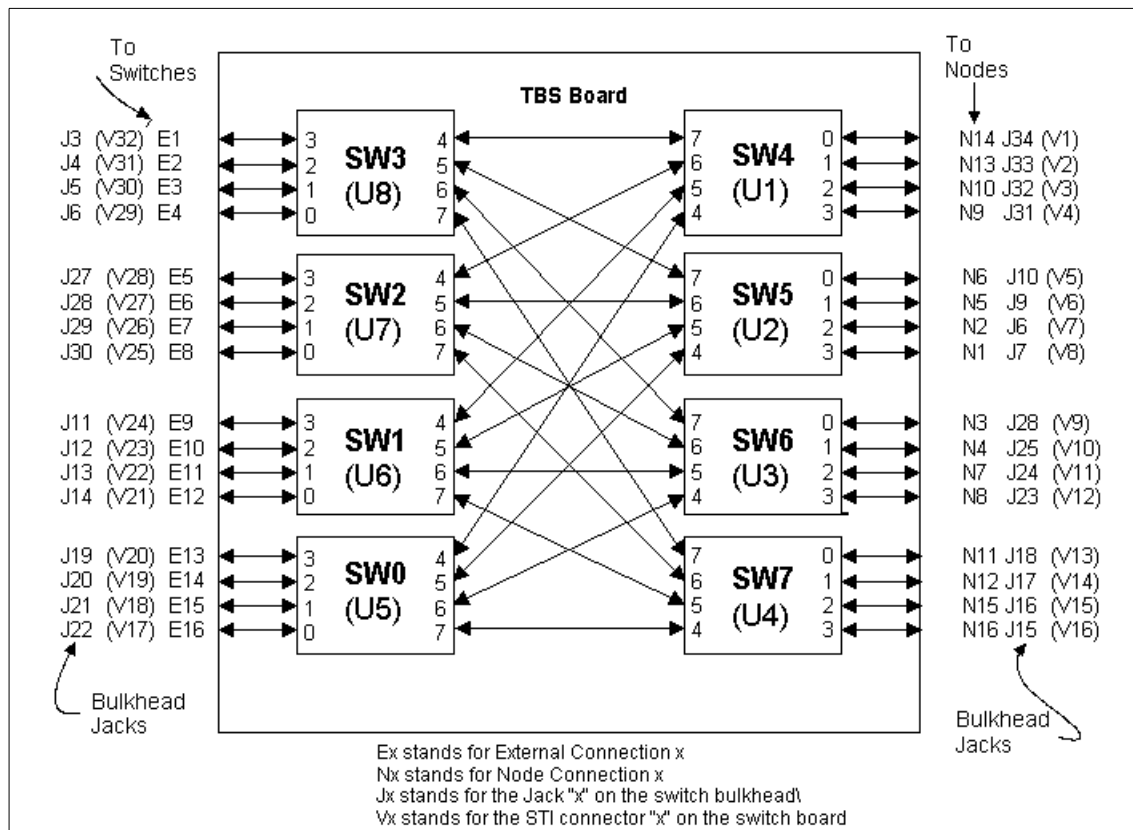


Figure 73. The SP Switch Board

C.6 Updating Router Software

This part provides general information about obtaining and installing new operating software (hereafter referred to as machine code) for the SP Switch Router.

C.6.1 The SP Switch Router as an IBM Product

As is noted in this Redbook, the SP Switch Router is based on a product from Ascend Communications, Inc. IBM customers order and receive the SP Switch Router from IBM. IBM provides all support for this product for IBM customers.

SP Switch Routers are delivered with the current level of machine code already installed. Customers who wish to upgrade to new releases of the machine code should contact their IBM representative.

C.6.2 Obtaining New Machine Code

New releases of the machine code must be obtained from the IBM FTP server: **service2.boulder.ibm.com**.

You are prompted for the SP Switch Router customer ID and password when you ftp to this server.

Although a new release of the machine code will correspond to an Ascend release of GRF code, *only the IBM version of the code will work on the SP Switch Router*. Do *not* try to use GRF code releases obtained from the Ascend FTP site on the SP Switch Router.

Instructions on how to download new releases from the FTP site and install them are included in the Release Notes provided with each release. Be sure to use the "binary" file transfer type.

C.6.3 Support for Code Installation

The Release Notes are posted on the SP Service and Support web site when a new release becomes available. As this is written, the starting page for the SP Service and Support web site is:

<http://www.rs6000.ibm.com/support/sp>. Look for 9077 "SP Switch Router" information in the "Service status" pages.

C.6.4 Sample Steps to Upgrade the System Software

Follow the steps below:

1. Log on as root and start the UNIX shell:

```
super> sh
#
```

2. Change directory:

```
# cd /usr/sbin
```

Then, ftp to the IBM server:

```
# ftp service2.boulder.ibm.com
ftp>
```

Enter the SP Switch Router customer ID and password as requested.

3. Now change to the /releases directory:

```
ftp> cd releases
ftp> cd A1_4_6
ftp> cd patches
ftp> cd A1_4_6_4
```

4. Set the file format and download the files:

```
ftp> bin
ftp> get grf_update
ftp> get RNI_4_6_4.pdf
ftp> get RNI_4_6_4.txt
ftp> quit
#
```

5. Change the script permissions:

```
# chmod 755 grf_update
```

6. Install the script:

```
# grsite --perm grf_update
```

7. Read the documentation with an appropriate reader command (`acroread` for the pdf file, `more` or `vi` for the txt file)!

8. Run the script:

```
# ./grf_update
```

For a sample execution of the `grf_update` script, refer to Appendix C.6.5, “Sample Execution of `grf_update` Script” on page 301.

9. To verify the installation, use this command to check that the directed broadcast setting is now one of the `sysctl` executables:

```
# sysctl net.inet.ip.fwdirbcast
net.inet.ip.fwdirbcast = 1
```

Note: Be prepared, that `grf_update` will reboot the SP Switch Router!

C.6.5 Sample Execution of `grf_update` Script

Here is a sample transcript of a session in which the `grf_update` script first upgrades a GRF 1600 system (`testbox.site.com`) that is currently running `A_1_4_6,boston` to `1.4.6.ibm,default`, and then installs the `1.4.6.4.ibm` patch release file on the system.

```
# grf_update
IBM GRF upgrade: testbox.site.com - Thu Apr 16 09:28:14 CDT 1998
This script will upgrade the router system software to
release 1.4.6.ibm and/or install the 1.4.6.4 directed
partial release patch file on testbox.site.com.
This script REQUIRES:
```

```
- Ftp access to service2.boulder.ibm.com from testbox.site.com.
- Approximately 30MB of disk space in /flash.
Please be aware:
- testbox.site.com will be REBOOTED if any system software and/or patch
file is installed.
Please take a moment to ensure that the requirement(s) are met and that
testbox.site.com can be rebooted at this time.
Continue with upgrade? (y/n): y
Release: currently running A_1_4_6,boston. Upgrade needed to
1.4.6.ibm,default
Checking for 1.4.6.ibm system release files.
testbox.site.com will be upgraded using files from
service2.boulder.ibm.com.
Loading 1.4.6.ibm release files.
Connected to service2.boulder.ibm.com.
get 1.4.6.ibm.TAR.gz
local: 1.4.6.ibm.TAR.gz remote: 1.4.6.ibm.TAR.gz
226 Transfer complete.
get 1.4.6.ibm.root.gz
local: 1.4.6.ibm.root.gz remote: 1.4.6.ibm.root.gz
226 Transfer complete.
get Addendum.pdf
local: Addendum.pdf remote: Addendum.pdf
226 Transfer complete.
get RN1_4_6.pdf
local: RN1_4_6.pdf remote: RN1_4_6.pdf
226 Transfer complete.
Performing grwrite. Please wait.
Performing grfins. Please wait.
Device /dev/wd0a mounted on /flash.
Device /dev/wd0a unmounted.
The next release version after rebooting will be: 1.4.6.ibm,default
Patch File: currently running 1.4.6. Need 1.4.6.4 Patch File.
Loading 1.4.6.ibm patch release file.
Connected to service2.boulder.ibm.com.
get 1.4.6.ibm,default.site.TAR.gz 1.4.6.ibm,default.site.TAR.gz
local: 1.4.6.ibm,default.site.TAR.gz remote:
1.4.6.ibm,default.site.TAR.gz
226 Transfer complete.
get RN1_4_6_4.pdf
local: RN1_4_6_4.pdf remote: RN1_4_6_4.pdf
226 Transfer complete.
Loading 1.4.6.4 bsd kernel from 1.4.6.ibm,default.site.TAR.gz.bsd
tar: ustar vol 1, 20 files, 3645440 bytes read.
Directed Broadcast: already enabled. No need to modify
/flash/etc.1.4.6.ibm,default/rc.local.
The directed bcast will be enabled after the GRF reboots.
```

302 IBM 9077 SP Switch Router: Get Connected to the SP Switch


```
To temporarily disable the directed bcast setting later on, use:
# sysctl -w net.inet.ip.fwdirbcast=0
To verify that the bcast setting is one of the sysctl executables, use:
# sysctl net.inet.ip.fwdirbcast
IBM GRF upgrade: testbox.site.com is up-to-date
testbox.site.com will be upgraded to:
Next Revision: 1.4.6.ibm Version: default
Patch Revision: 1.4.6.4.ibm
WARNING: testbox.site.com will now be REBOOTED to complete the upgrade.
10 9 8 7 6 5 4 3 2 1
Continuing ...
Shutdown NOW!
shutdown: [pid 5524]
*** FINAL System shutdown message from netstar@testbox.site.com ***
System going down IMMEDIATELY
System shutdown time has arrived
Connection closed by foreign host.
```

304 IBM 9077 SP Switch Router: Get Connected to the SP Switch

Appendix D. Special Notices

This publication is intended to help IBM customers, Business Partners, IBM System Engineers and other RS/6000 SP specialist who are involved in SP Switch Router (IBM 9077) projects, including education of RS/6000 SP professionals responsible for installing, configuring, and administering SP Switch Router. The information in this publication is not intended as the specification of any programming interfaces that are provided by POWERparallel System Support Programs. See the PUBLICATIONS section of the IBM Programming Announcement for POWERparallel System Support Programs for more information about what publications are considered to be product documentation.

References in this publication to IBM products, programs or services do not imply that IBM intends to make these available in all countries in which IBM operates. Any reference to an IBM product, program, or service is not intended to state or imply that only IBM's product, program, or service may be used. Any functionally equivalent program that does not infringe any of IBM's intellectual property rights may be used instead of the IBM product, program or service.

Information in this book was developed in conjunction with use of the equipment specified, and is limited in application to those specific hardware and software products and levels.

IBM may have patents or pending patent applications covering subject matter in this document. The furnishing of this document does not give you any license to these patents. You can send license inquiries, in writing, to the IBM Director of Licensing, IBM Corporation, 500 Columbus Avenue, Thornwood, NY 10594 USA.

Licensees of this program who wish to have information about it for the purpose of enabling: (i) the exchange of information between independently created programs and other programs (including this one) and (ii) the mutual use of the information which has been exchanged, should contact IBM Corporation, Dept. 600A, Mail Drop 1329, Somers, NY 10589 USA.

Such information may be available, subject to appropriate terms and conditions, including in some cases, payment of a fee.

The information contained in this document has not been submitted to any formal IBM test and is distributed AS IS. The information about non-IBM ("vendor") products in this manual has been supplied by the vendor and IBM assumes no responsibility for its accuracy or completeness. The use of this

information or the implementation of any of these techniques is a customer responsibility and depends on the customer's ability to evaluate and integrate them into the customer's operational environment. While each item may have been reviewed by IBM for accuracy in a specific situation, there is no guarantee that the same or similar results will be obtained elsewhere. Customers attempting to adapt these techniques to their own environments do so at their own risk.

Any pointers in this publication to external Web sites are provided for convenience only and do not in any manner serve as an endorsement of these Web sites.

Any performance data contained in this document was determined in a controlled environment, and therefore, the results that may be obtained in other operating environments may vary significantly. Users of this document should verify the applicable data for their specific environment.

Reference to PTF numbers that have not been released through the normal distribution process does not imply general availability. The purpose of including these reference numbers is to alert IBM customers to specific information relative to the implementation of the PTF when it becomes available to each customer according to the normal IBM PTF distribution process.

The following terms are trademarks of the International Business Machines Corporation in the United States and/or other countries:

400	AIX
AT	BookManager
Current	IBM ®
POWERparallel	PROFS
RS/6000	SP
SP2	

The following terms are trademarks of other companies:

C-bus is a trademark of Corollary, Inc.

Java and HotJava are trademarks of Sun Microsystems, Incorporated.

Microsoft, Windows, Windows NT, and the Windows 95 logo are trademarks or registered trademarks of Microsoft Corporation.

PC Direct is a trademark of Ziff Communications Company and is used by IBM Corporation under license.

Pentium, MMX, ProShare, LANDesk, and ActionMedia are trademarks or registered trademarks of Intel Corporation in the U.S. and other countries.

UNIX is a registered trademark in the United States and other countries licensed exclusively through X/Open Company Limited.

Other company, product, and service names may be trademarks or service marks of others.

308 IBM 9077 SP Switch Router: Get Connected to the SP Switch

Appendix E. Related Publications

The publications listed in this section are considered particularly suitable for a more detailed discussion of the topics covered in this redbook.

E.1 International Technical Support Organization Publications

For information on ordering these ITSO publications see "How to Get ITSO Redbooks" on page 311.

- *Technical Presentation for PSSP 2.3*, SG24-2080
- *Technical Presentation for PSSP 2.4*, SG24-5173
- *RS/6000 SP: Problem Determination Guide*, SG24-4778

E.2 Redbooks on CD-ROMs

Redbooks are also available on CD-ROMs. **Order a subscription** and receive updates 2-4 times a year at significant savings.

CD-ROM Title	Subscription Number	Collection Kit Number
System/390 Redbooks Collection	SBOF-7201	SK2T-2177
Networking and Systems Management Redbooks Collection	SBOF-7370	SK2T-6022
Transaction Processing and Data Management Redbook	SBOF-7240	SK2T-8038
Lotus Redbooks Collection	SBOF-6899	SK2T-8039
Tivoli Redbooks Collection	SBOF-6898	SK2T-8044
AS/400 Redbooks Collection	SBOF-7270	SK2T-2849
RS/6000 Redbooks Collection (HTML, BkMgr)	SBOF-7230	SK2T-8040
RS/6000 Redbooks Collection (PostScript)	SBOF-7205	SK2T-8041
RS/6000 Redbooks Collection (PDF Format)	SBOF-8700	SK2T-8043
Application Development Redbooks Collection	SBOF-7290	SK2T-8037

E.3 Other Publications

These publications are also relevant as further information sources:

- *RS/6000 SP: Administration Guide Version 2 Release 4*, GC23-3897
- *RS/6000 SP: Installation and Migration Guide Version 2 Release 4*, GC23-3898

- *RS/6000 SP: Diagnosis and Messages Guide Version 2 Release 4, GC23-3899*
- *RS/6000 SP: Command and Technical Reference Version 2 Release 4, GC23-3900*
- *RS/6000 SP: Maintenance Information Volume 1
Installation and Customer Engineer Operations, GC23-3903*
- *RS/6000 SP: Maintenance Information Volume 2, Volume 3, GC23-3904*
- *RS/6000 SP Planning Volume 1
Hardware and Physical Environment, GA22-7280*
- *GRF Configuration Guide 1.4, GA22-7366*
- *GRF Reference Guide 1.4, GA22-7367*
- *GRF 400/1600 Getting started 1.4, GA22-7368*
- *SP Switch Router Adapter Guide for 1.4, GA22-7310*

How to Get ITSO Redbooks

This section explains how both customers and IBM employees can find out about ITSO redbooks, CD-ROMs, workshops, and residencies. A form for ordering books and CD-ROMs is also provided.

This information was current at the time of publication, but is continually subject to change. The latest information may be found at <http://www.redbooks.ibm.com/>.

How IBM Employees Can Get ITSO Redbooks

Employees may request ITSO deliverables (redbooks, BookManager BOOKs, and CD-ROMs) and information about redbooks, workshops, and residencies in the following ways:

- **Redbooks Web Site on the World Wide Web**

<http://w3.itso.ibm.com/>

- **PUBORDER** – to order hardcopies in the United States
- **Tools Disks**

To get LIST3820s of redbooks, type one of the following commands:

```
TOOLCAT REDPRINT
TOOLS SENDTO EHONE4 TOOLS2 REDPRINT GET SG24xxxx PACKAGE
TOOLS SENDTO CANVM2 TOOLS REDPRINT GET SG24xxxx PACKAGE (Canadian users only)
```

To get BookManager BOOKs of redbooks, type the following command:

```
TOOLCAT REDBOOKS
```

To get lists of redbooks, type the following command:

```
TOOLS SENDTO USDIST MKTTOOLS MKTTOOLS GET ITSOCAT TXT
```

To register for information on workshops, residencies, and redbooks, type the following command:

```
TOOLS SENDTO WTSCPOK TOOLS ZDISK GET ITSOREGI 1998
```

- **REDBOOKS Category on INEWS**
- **Online** – send orders to: USIB6FPL at IBMMAIL or DKIBMBSH at IBMMAIL

Redpieces

For information so current it is still in the process of being written, look at "Redpieces" on the Redbooks Web Site (<http://www.redbooks.ibm.com/redpieces.html>). Redpieces are redbooks in progress; not all redbooks become redpieces, and sometimes just a few chapters will be published this way. The intent is to get the information out much quicker than the formal publishing process allows.

How Customers Can Get ITSO Redbooks

Customers may request ITSO deliverables (redbooks, BookManager BOOKs, and CD-ROMs) and information about redbooks, workshops, and residencies in the following ways:

- **Online Orders** – send orders to:

	IBMMAIL	Internet
In United States	usib6fpl at ibmmail	usib6fpl@ibmmail.com
In Canada	caibmbkz at ibmmail	lmannix@vnet.ibm.com
Outside North America	dkibmbsh at ibmmail	bookshop@dk.ibm.com

- **Telephone Orders**

United States (toll free)	1-800-879-2755
Canada (toll free)	1-800-IBM-4YOU
Outside North America	(long distance charges apply)
(+45) 4810-1320 - Danish	(+45) 4810-1020 - German
(+45) 4810-1420 - Dutch	(+45) 4810-1620 - Italian
(+45) 4810-1540 - English	(+45) 4810-1270 - Norwegian
(+45) 4810-1670 - Finnish	(+45) 4810-1120 - Spanish
(+45) 4810-1220 - French	(+45) 4810-1170 - Swedish

- **Mail Orders** – send orders to:

IBM Publications Publications Customer Support P.O. Box 29570 Raleigh, NC 27626-0570 USA	IBM Publications 144-4th Avenue, S.W. Calgary, Alberta T2P 3N5 Canada	IBM Direct Services Sortemosevej 21 DK-3450 Allerød Denmark
--	--	--

- **Fax** – send orders to:

United States (toll free)	1-800-445-9269
Canada	1-800-267-4455
Outside North America	(+45) 48 14 2207 (long distance charge)

- **1-800-IBM-4FAX (United States) or (+1) 408 256 5422 (Outside USA)** – ask for:

Index # 4421 Abstracts of new redbooks
Index # 4422 IBM redbooks
Index # 4420 Redbooks for last six months

- **On the World Wide Web**

Redbooks Web Site	http://www.redbooks.ibm.com
IBM Direct Publications Catalog	http://www.elink.ibm.link.ibm.com/pbl/pbl

Redpieces

For information so current it is still in the process of being written, look at "Redpieces" on the Redbooks Web Site (<http://www.redbooks.ibm.com/redpieces.html>). Redpieces are redbooks in progress; not all redbooks become redpieces, and sometimes just a few chapters will be published this way. The intent is to get the information out much quicker than the formal publishing process allows.

314 IBM 9077 SP Switch Router: Get Connected to the SP Switch

List of Abbreviations

ACL	Access Control List	EPROM	Erasable Programmable Read-Only Memory
AIX	Advanced Interactive Executive	FIFO	First-In First-Out
AMG	Adapter Membership Group	GB	Gigabytes
ANS	Abstract Notation Syntax	GL	Group Leader
APA	All Points Addressable	GPFS	General Purposes File System
API	Application Programming Interface	GRF	Goes Real Fast
ARP	Address Resolution Protocol	GS	Group Services
ATM	Asynchronous Transfer Mode	GSAPI	Group Services Application Programming Interface
BIS	Boot/Install Server	GVG	Global Volume Group
BSD	Berkeley Software Distribution	hb	heart beat
BUMP	Bring-Up Microprocessor	HIPS	High Performance Switch
CP	Crown Prince	HPGN	High Performance Gateway Node
CPU	Central Processing Unit	hrd	host respond daemon
CSS	Communication Subsystem	HSD	Hashed Shared Disk
CW	Control Workstation	IBM	International Business Machines Corporation
DAS	Dual Attach Station	ICMP	Internet Control Message Protocol
DB	Database	IP	Internet Protocol
FDDI	Fiber Distributed Data Interface	ISB	Intermediate Switch Board
EM	Event Management	ISC	Intermediate Switch Chip
EMAPI	Event Management Application Programming Interface	ISO	International Standards Organization
EMCDB	Event Management Configuration Database	ITSO	International Technical Support Organization
EMD	Event Manager Daemon	JFS	Journaled File System
		LAN	Local Area Network
		LCD	Liquid Crystal Display
		LED	Light Emitting Diode

LRU	Last Recently Used	RCP	Remote Copy Protocol
LSC	Link Switch Chip	RM	Resource Monitor
LVM	Logical Volume Manager	RMAPI	Resource Monitor Application Programming Interface
MB	Megabytes		
MIB	Management Information Base	RPQ	Request for Product Quotation
MPI	Message Passing Interface	RSI	Remote Statistics Interface
MPL	Message Passing Library	RVSD	Recoverable Virtual Shared Disk
MPP	Massive Parallel Processors	SAS	Single Attach Station
MTU	Maximum Transmission Unit	SBS	Structure Byte String
NBMA	Non Broadcast, Multi Access	SDR	System Data Repository
NIM	Network Installation Manager	SNMP	Simple Network Management Protocol
NSB	Node Switch Board	SP	RS/6000 SP
NSC	Node Switch Chip	SVC	Switched Virtual Circuit
OID	Object ID	VC	Virtual Circuit
ODM	Object Data Manager	VCI	Virtual Circuit Identifier
PE	Parallel Environment	VP	Virtual Path
PID	Process ID	VPI	Virtual Path Identifier
PROFS	Professional Office System		
PSSP	Parallel System Support Programs		
PTC	Prepare To Commit		
PTPE	Performance Toolbox Parallel Extensions		
PTX/6000	Performance Toolbox/6000		
PVC	Permanent Virtual Circuit		
RAM	Random Access Memory		

Index

Symbols

/etc/bridged.conf 144, 145, 146, 148, 149, 181, 216, 218, 264
/etc/fstab 77, 267
/etc/grarp.conf 112, 115, 138, 149, 154, 217, 219, 229, 267
/etc/gratm.conf 111, 112, 113, 115, 121, 151, 212, 217, 218, 224, 225, 268
/etc/grclean.conf 78, 274
/etc/grclean.logs.conf 78, 275
/etc/grdev1.conf 86, 87, 88, 96, 277
/etc/grifconf.conf 130
/etc/grifconfig.conf 86, 87, 93, 95, 105, 106, 107, 110, 115, 121, 127, 128, 129, 138, 139, 140, 150, 182, 193, 200, 205, 213, 218, 225, 229, 282
/etc/grlamap.conf 138, 229, 284
/etc/grroute.conf 217, 219, 229, 285
/etc/hosts 204, 286
/etc/inetd.conf 286
/etc/motd 287
/etc/rc.boot 77
/etc/rc.local 287
/etc/rc.routes 213
/etc/Release 263, 287
/etc/services 64, 65
/etc/snmpd.conf 41, 65, 86, 88, 89, 288
/etc/SP/expected.top.annotated 91
/etc/syslog.conf 78, 291
/etc/ttyS 72, 292
/root/.profile 261
/var/log 78
/var/log/gr.console 79

Numerics

10Base2 34
10Base5 34

A

address mapping 115
Address Resolution Protocol 19
administrative Ethernet 31, 34, 64, 65
ADSM client 186
ADSM environment 157, 174, 185
advanced terminal emulation
 see ATE

arbitration logic 28
ARP 19, 60, 112, 115, 138, 149, 158, 162, 167, 169, 180, 186, 190, 204, 217, 223, 227
ARP table 110
ATE 31
ATM 14, 18, 94, 110, 112, 114, 143, 150, 157, 167, 173, 209, 212
 LAN Emulation 168
 media card 209, 220
 OC-12 225
 OC-12c 39, 69, 94, 119, 121, 222, 227
 OC-3c 39, 69, 94, 110, 111, 116, 142, 150, 167
 port 110
autojoin 51, 99
autonomous system 20, 21
autosense 105

B

backbone 21, 22
backup links 144
bandwidth 6
BGP 16, 23, 35, 66
Border Gateway Protocol
 see BGP
bridge group 138, 143, 145
bridged 145, 146, 149
bridging 126, 142, 144, 145, 152, 181, 221
bridging engine 143
broadcast address 94, 107, 114, 129, 140, 148
bypass switch 125

C

cacheless route table 19
card profile 106, 107, 108
central routing authority 23
chip group 75
classless addressing 20
CLI 70, 71, 107, 113, 120, 130, 141
CLNP 23
collected statistics 110
Combus 28, 31
command
 bredit 146
 brinfo 147
 brstat 146, 147

- config_netstat 70
- csconfig 79
- dev1config 87, 95
- Eannotator 82
- Efence 51, 99
- Efence -autojoin 99
- Eprimary 51
- Estart 51, 99, 101
- Eunfence 51, 99, 101
- gratm 116, 121
- grcard 97, 98, 101, 109
- grconslog 79
- grf_update 301
- grifconfig 94
- greset 95, 97, 99, 109
- grrmb 109
- grrt 118, 132
- grsite 96
- grsite --perm 77, 96
- grsnapshot 97
- grstat 99, 119, 133
- grwrite 79, 107, 109
- grwrite -vn 96
- ifconfig 10, 94
- iflash 77
- lsdev 168
- maint 116, 131
- no 95
- pax 77
- perspectives 3, 52
- ping 97, 160
- ping -P grid 97, 98
- reboot 79
- route 10
- SDRGetObjects switch_responds 92
- smit
 - annotator 91
 - delete_extadapter 47
 - delete_extnode 46
 - enter_extadapter 47, 90
 - enter_extnode 44, 89
 - list_extadapter 50
 - list_extnode 49
 - manage_extnode 48, 92
- sphardware 52
- splstdata 84
- spmon 3
- sysctl 301
- xterm -e telnet 72

- command line interface
 - see CLI
- communications bus 28
- Control Workstation
 - see CWS
- crosspoint switch 13, 16, 27, 37, 38, 39
- CWS 31, 43, 59, 61, 64, 65, 69, 74, 75, 76, 81, 84, 88, 99, 102, 165, 184, 193, 203, 204, 205, 224, 225

D

- DAS 121, 123, 129, 130
- data forwarding 19
- datagrams 19
- dedicated router 15
- dependent node 3, 4, 5, 8, 41, 43, 44, 51, 60, 61, 64, 65, 69, 82, 101, 102
 - architecture 3
- DIX Ethernet 144
- DMA engine 29, 30, 31
- DNS 41, 64, 65, 204
- domain name service
 - see DNS
- downtime 7
- dual ring 125
- dual-speed 105
- dump profile 107, 108
- dynamic routing 31, 33, 66, 96, 210
- dynamic routing protocol 66

E

- EGP 16, 23
- Ethernet 6, 34, 39, 66
 - card 107, 109
 - hostname 81
 - hub 75, 76, 79, 102, 157
 - media card 161
 - twisted-pair 75, 76, 79, 102
- extended node 92
- extension node 3, 6, 45, 46, 47, 89
 - adapter 6
- Exterior Gateway Protocol
 - see EGP
- exterior protocols 20
- external routes 22
- external switch module 125

F

fault service daemon 4
FDDI 6, 16, 18, 39, 66, 69, 121, 122, 125, 129, 142, 157, 163, 174, 209
 backbone 126, 155, 174, 177, 179, 181
 concentrator 126
 dual attached station 121
 dual homing 125
 interface 128
 media card 162, 165, 176
 single attached stations 121
FDX 105, 108
Fiber Distributed Data Interchange
 see FDDI
fiber optic attachment 127
FIFO 38
filtering table 144
fragmented 95
Frame Relay 95

G

gateway 10, 13
gr.conferrs 76
gr.console 76
GRF 5, 11, 12, 15, 20, 22, 24, 25, 31, 32, 34, 36, 37, 72, 105, 110, 111, 124, 128, 168, 209, 212, 216
 configuration file 261
grinchd.log 76
gritd.packets 76

H

HDX 105, 108
High Performance Gateway Node
 see HPGN
High Speed Serial Interface
 see HSSI
high-performance router 12
HIPPI 6, 16, 18, 39, 69, 94, 133, 134, 137, 190, 209, 227
 ARP 138
 Backbone 227
 backbone 227
 camp-on bit 135
 device 135
 direction bit 137
 H0 138
 I-field 133, 134, 135, 136, 137, 138
 interface 139

 interface name 139
 IP routing 137
 IPI-3 138
 media card 135, 227
 MTU 138
 path selection bit 135
hop 14
hostname 65
hot plug capabilities 7
hot swappable 66
hot-pluggable 16
hot-swappable 15
HPGN 5
HSSI 16, 39, 66, 69, 80
hw-table 107

I

I/O bus 12
ICMP 23, 106, 129, 140
IDRP 23
IEEE 802.3 144
IGMP 23
InATMARP 219
interface name 93
Interior routing protocols 20
Intermediate System to Intermediate System
 see IS-IS
Internet address 94
Internet Group Management Protocol
 see IGMP
IP adapter 11
IP address 20, 42, 45, 60, 65, 72, 75, 87, 89, 94, 112, 114, 121, 129, 138, 140, 174, 182, 188, 196, 211, 219
IP datagram 19, 145, 151
IP filtering 23
IP forwarding 36, 139
IP gateway 8
IP information 47
IP multicast 22
IP multicasting 23
IP Node 52, 53, 54, 56, 57
IP packet 8, 19, 38
IP router 69
IP routing 8, 134
IP stack 133
IP subnet 158, 227
IP Switch Control Board 18, 24, 25, 27, 28, 31, 32,

33, 34, 36
slot 66 31
IP traffic 7, 8, 11, 12, 15, 194
IPv4 142, 143
IS-IS 15, 23

J

jack 82
Jack Number 84

K

keep-count 107

L

Layer 2 14
Layer 3 14, 19
LLC 142, 144, 150, 151
load profile 107, 108
log files
gr.boot 76
gr.conferr 76
gr.console 76
grinchd.log 76
gritd.packets 76
mib2d.log 76
logical address 136
logical interface 8, 110, 112, 115, 127, 139, 145
Logical Link Control
Logical Link Control see LLC

M

MAC address 143, 144
MAC layer 143
maint 109
Management Information Base
see MIB
maximum age 145
maximum packet length 43
Maximum Transmission Unit 106
see MTU
MCA bus 13
media adapter 16, 17, 27, 32, 36, 39
media board 37
media card 16, 18, 24, 26, 28, 31, 36, 73, 80, 81,
86, 89, 93, 96, 97, 98, 99, 100, 107, 125, 127, 184,
212
media card slots 25

media statistics 109
MIB 59
mib2d 100
microchannel 6
microchannel bus 16
microcode lookup 28
mrouted 22
MTU 95, 113, 114, 115, 121, 129, 130, 138, 140,
145, 148, 191, 213
default 94
discovery 95
size 19, 87

N

NBMA 94, 114
netmask 94, 107, 113, 121, 129, 139, 140, 148
network interface 10
network statistics 24
network topology 210
network traffic 9
node number 74, 75
nonblocking crossbar 16
non-blocking crosspoint 66
nonbroadcast 94
NSAP address 112
null modem cable 35

O

ODM 225
Open Shortest Path First
see OSPF
operating temperature 40
optical-bypass 124
optimal packet size 205
OSI gateway protocol 23
OSI protocol 23
OSPF 21, 22, 23, 66, 210
out.top 85

P

packet forwarding 24
parallel processing 28
partition 60, 62, 63, 157
partition number 41
PCMCIA
card 34
device 72

320 IBM 9077 SP Switch Router: Get Connected to the SP Switch

- disk 75, 76, 79
- interface 79
- modem card 34
- slot 34
- performance limitation 7
- Permanent virtual circuits 112
- perspectives 52, 56
- physical interface 112, 127
- physical interface number 127
- point-to-multipoint 119
- point-to-point 115, 119
- point-to-point connection 111
- Primary Backup 51, 61
- primary node 61, 69, 84, 85
- primary router 66
- Protocol Data Unit 152
- protocol layer 143
- PVC 112, 113, 116, 121, 151, 153, 154, 169

Q

- QBRT 28, 29, 30
- Quick Branch Routing Technology
 - see QBRT

R

- receive buffer 19, 28
- Receive Controller 38
- redundant path 66
- redundant power supply 15
- rejoin 51
- reliable_hostname 41, 55
- Request for Comments
 - see RFC
- RFC 21, 134
 - 1112 22, 23
 - 1483 142, 143, 144, 151
 - 1583 22
- RIP 15, 21, 23, 66
- route lookup 19
- Route Manager 28, 30, 31, 33
- route processing 14
- route table 9, 12, 13, 16, 19, 28
- routed 21
- router management 33
- Router Manager 18, 19, 23, 24
- Routers 8
- routing
 - configuration 9

- dynamic routing 10, 11
 - metrics 21
 - minimal routing 10
 - static routing 10
 - table 9, 10, 19, 21, 22
- Routing Information Protocol
 - see RIP
- routing protocol 9
- routing protocols 11, 15, 20
- routing table 137

S

- SAS 121, 122, 123, 126, 129, 130
- SCSI 166, 179, 185
- SDR 8, 46, 47, 49, 50, 58
- segments 20
- send buffer 28
- serial bus 28
- serial connection 31
- serial daughter card 37
- service daemon 3
- service packets 4
- Simple Network Management Protocol
 - see SNMP
- single attach FDDI 122
- single duplex attachment 139
- single-dual field 124
- slot number 95, 99
- SNMP 24, 58, 88, 128, 203, 277
 - agent 24, 41, 58, 60, 64, 65
 - agent hostname 65
 - COMMUNITY 88
 - community 64
 - community name 41, 56, 59
 - configuration file 87
 - daemon 87, 89
 - manage 100
 - management station 88
 - MANAGER 88
 - manager 3, 58, 59, 64
 - port number 64, 65
 - protocol 58
 - snmpd 89
 - traps 24
- SONET 16, 40, 66
- SP
 - frame 82, 85
- SP Switch 3, 5, 6, 69

- 16-port 3
- 8-port 3
- adapter card 28
- cable 81
- network 12
- port 41, 63, 75, 81
- router 5, 25, 66
- router adapter 5, 12, 36, 37, 41, 48, 58, 59, 61, 64, 65, 69, 70, 74, 75, 76, 79, 80, 81, 85, 87, 88, 89, 94, 95, 96, 98, 100, 101, 102, 158, 162, 165, 167, 174, 189, 194, 203, 211, 212, 227
- router adapters 17
- spamming 145
- spanning tree 144
- Spanning Tree Algorithm 144
- spanning tree controls 144
- state machine 100
- subarea 22
- subnet 9, 20, 210
- subnet masking 19, 20
- subnetting 9, 10, 198
- supernetting 20
- SVC 112, 113, 121, 169
- switch board 82, 85
- switch cable 80
- switch fabric 28
- Switch node 4
- Switch port 75, 76
- Switch port number 82
- switch statistics 110
- switchcontrol protocol 8
- Switched virtual circuits 112
- Synchronous Optical Network protocol
 - see SONET
- System Data Repository
 - see SDR
- system monitoring 28
- system partition 58

T

- table lookups 28
- TCP 23
- terminal emulation 31
- thin node 6
- topology database 21
- traffic control 9
- transfer rate 108
- transmit buffer 19

- transparent bridging 142

U

- UDP 23, 24
- UDP port 3
- update packets 21

V

- VCI 111, 112, 117
- virtual circuit 111
 - see VC
- virtual circuit identifier 111
- virtual interfaces 22
- virtual path 111
- virtual path identifier 111
 - see VPI
- VPI 117

W

- wide node 6, 7

ITSO Redbook Evaluation

IBM 9077 SP Switch Router: Get Connected to the SP Switch
SG24-5157-00

Your feedback is very important to help us maintain the quality of ITSO redbooks. **Please complete this questionnaire and return it using one of the following methods:**

- Use the online evaluation form found at <http://www.redbooks.ibm.com>
- Fax this form to: USA International Access Code + 1 914 432 8264
- Send your comments in an Internet note to redbook@us.ibm.com

Which of the following best describes you?

Customer **Business Partner** **Solution Developer** **IBM employee**
 None of the above

Please rate your overall satisfaction with this book using the scale:
(1 = very good, 2 = good, 3 = average, 4 = poor, 5 = very poor)

Overall Satisfaction _____

Please answer the following questions:

Was this redbook published in time for your needs? Yes___ No___

If no, please explain:

What other redbooks would you like to see published?

Comments/Suggestions: (THANK YOU FOR YOUR FEEDBACK!)



Free Manuals Download Website

<http://myh66.com>

<http://usermanuals.us>

<http://www.somanuals.com>

<http://www.4manuals.cc>

<http://www.manual-lib.com>

<http://www.404manual.com>

<http://www.luxmanual.com>

<http://aubethermostatmanual.com>

Golf course search by state

<http://golfingnear.com>

Email search by domain

<http://emailbydomain.com>

Auto manuals search

<http://auto.somanuals.com>

TV manuals search

<http://tv.somanuals.com>