



C925

User's Guide

November 2012

www.lexmark.com

Machine type(s):

5041

Model(s):

030

Contents

- Safety information.....6**
- Learning about the printer.....8**
 - Thank you for choosing this printer!.....8
 - Finding information about the printer.....8
 - Selecting a location for the printer.....9
 - Printer configurations.....10
 - Understanding the printer control panel.....12
- Understanding the home screen.....13**
 - Understanding the home screen.....13
 - Using the touch-screen buttons.....14
- Setting up and using the home screen applications.....17**
 - Finding the IP address of the printer.....17
 - Accessing the Embedded Web Server.....17
 - Activating the home screen applications.....18
 - Exporting and importing a configuration using the Embedded Web Server.....20
- Additional printer setup.....21**
 - Installing internal options.....21
 - Installing optional trays.....37
 - Attaching cables.....49
 - Verifying printer setup.....50
 - Setting up the printer software.....51
 - Setting up wireless printing.....52
 - Installing the printer on an Ethernet network.....58
 - Changing port settings after installing a new network Internal Solutions Port.....60
 - Setting up serial printing.....62
- Minimizing your printer's environmental impact.....64**
 - Saving paper and toner.....64
 - Saving energy.....65
 - Recycling.....68

- Loading paper and specialty media.....69**
 - Setting the paper size and type.....69
 - Loading the standard or optional 550-sheet tray.....69
 - Loading the multipurpose feeder.....73
 - Linking and unlinking trays.....76

- Paper and specialty media guide.....78**
 - Paper guidelines.....78
 - Storing paper.....80
 - Supported paper sizes, types, and weights.....81

- Printing.....84**
 - Printing a document.....84
 - Printing from a flash drive.....85
 - Printing specialty documents.....86
 - Printing confidential and other held jobs.....89
 - Printing information pages.....89
 - Canceling a print job.....90

- Understanding printer menus.....92**
 - Menus list.....92
 - Supplies menu.....93
 - Paper menu.....95
 - Reports menu.....104
 - Network/Ports menu.....105
 - Security menu.....119
 - Settings menu.....123
 - Help menu.....146

- Securing the memory before moving the printer.....147**
 - Statement of Volatility.....147
 - Erasing volatile memory.....147
 - Erasing non-volatile memory.....148
 - Erasing printer hard disk memory.....148
 - Configuring printer hard disk encryption.....149

Maintaining the printer.....	150
Cleaning the exterior of the printer.....	150
Cleaning the printhead lenses.....	150
Storing supplies.....	153
Checking the status of supplies.....	153
Ordering supplies.....	154
Replacing Supplies.....	156
Moving the printer.....	162
Administrative support.....	163
Finding advanced networking and administrator information.....	163
Using the Embedded Web Server.....	163
Checking the virtual display.....	163
Checking the printer status.....	164
Viewing reports.....	164
Restoring factory default settings.....	164
Clearing jams.....	165
Avoiding jams.....	165
Understanding jam numbers and locations.....	165
200 paper jam.....	167
201 paper jam.....	168
203 paper jam.....	169
230 paper jam.....	170
231–239 paper jams.....	170
24x paper jam.....	171
250 paper jam.....	173
Troubleshooting.....	174
Checking an unresponsive printer.....	174
Understanding printer messages.....	174
Solving printing problems.....	187
Solving home screen applications problems.....	191
Solving option problems.....	191
Solving paper feed problems.....	194
Solving print quality problems.....	195

Solving color quality problems.....206
Embedded Web Server does not open.....209
Contacting customer support.....210

Notices.....211


Product information.....211
Edition notice.....211
Power consumption.....215


Safety information


Connect the power cord to a properly grounded electrical outlet that is near the product and easily accessible.


Do not place or use this product near water or wet locations.

This product uses a printing process that heats the print media, and the heat may cause the media to release emissions. You must understand the section in your operating instructions that discusses the guidelines for selecting print media to avoid the possibility of harmful emissions.

 **CAUTION—POTENTIAL INJURY:** The lithium battery in this product is not intended to be replaced. There is a danger of explosion if a lithium battery is incorrectly replaced. Do not recharge, disassemble, or incinerate a lithium battery. Discard used lithium batteries according to the manufacturer's instructions and local regulations.

 **CAUTION—HOT SURFACE:** The inside of the printer might be hot. To reduce the risk of injury from a hot component, allow the surface to cool before touching.


 **CAUTION—POTENTIAL INJURY:** The printer weight is greater than 18 kg (40 lb) and requires two or more trained personnel to lift it safely.

 **CAUTION—POTENTIAL INJURY:** Before moving the printer, follow these guidelines to avoid personal injury or printer damage:


- Turn the printer off using the power switch, and then unplug the power cord from the wall outlet.
- Disconnect all cords and cables from the printer before moving it.
- Lift the printer off the optional drawer, and set it aside instead of trying to lift the drawer and printer at the same time.

Note: Use the handholds located on both sides of the printer to lift it off the optional drawer.


Use only the power cord provided with this product or the manufacturer's authorized replacement.


 **CAUTION—SHOCK HAZARD:** Make sure that all external connections (such as Ethernet and telephone system connections) are properly installed in their marked plug-in ports.


This product is designed, tested, and approved to meet strict global safety standards with the use of specific manufacturer's components. The safety features of some parts may not always be obvious. The manufacturer is not responsible for the use of other replacement parts.


 **CAUTION—POTENTIAL INJURY:** Do not cut, twist, bind, crush, or place heavy objects on the power cord. Do not subject the power cord to abrasion or stress. Do not pinch the power cord between objects such as furniture and walls. If any of these things happen, a risk of fire or electrical shock results. Inspect the power cord regularly for signs of such problems. Remove the power cord from the electrical outlet before inspecting it.


Refer service or repairs, other than those described in the user documentation, to a professional service person.

 **CAUTION—SHOCK HAZARD:** To avoid the risk of electric shock when cleaning the exterior of the printer, unplug the power cord from the wall outlet and disconnect all cables from the printer before proceeding.

 **CAUTION—SHOCK HAZARD:** Do not set up this product or make any electrical or cabling connections, such as the fax feature, power cord, or telephone, during a lightning storm.

 **CAUTION—TIPPING HAZARD:** Floor-mounted configurations require additional furniture for stability. You must use either a printer stand or printer base if you are using a high-capacity input tray, a duplex unit and an input option, or more than one input option. If you purchased a multifunction printer (MFP) that scans, copies, and faxes, you may need additional furniture. For more information, see www.lexmark.com/multifunctionprinters.

 **CAUTION—POTENTIAL INJURY:** To reduce the risk of equipment instability, load each paper drawer or tray separately. Keep all other drawers or trays closed until needed.

 **CAUTION—SHOCK HAZARD:** If you are accessing the system board or installing optional hardware or memory devices sometime after setting up the printer, then turn the printer off, and unplug the power cord from the wall outlet before continuing. If you have any other devices attached to the printer, then turn them off as well, and unplug any cables going into the printer.

SAVE THESE INSTRUCTIONS.

Learning about the printer


Thank you for choosing this printer!

We've worked hard to make sure it will meet your needs.

To start using your new printer right away, use the setup materials that came with the printer, and then skim the *User's Guide* to learn how to perform basic tasks. To get the most out of your printer, read the *User's Guide* carefully, and make sure you check the latest updates on our Web site.

We're committed to delivering performance and value with our printers, and we want to make sure you're satisfied. If you do encounter any problems along the way, one of our knowledgeable support representatives will be delighted to help you get back on track fast. And if you find something we could do better, please let us know. After all, you are the reason we do what we do, and your suggestions help us do it better.

Finding information about the printer

What are you looking for?	Find it here
Initial setup instructions: <ul style="list-style-type: none"> • Connecting the printer • Installing the printer software 	Setup documentation—The setup documentation came with the printer and is also available at http://support.lexmark.com .
Additional setup and instructions for using the printer: <ul style="list-style-type: none"> • Selecting and storing paper and specialty media • Loading paper • Configuring printer settings • Viewing and printing documents and photos • Setting up and using the printer software • Configuring the printer on a network • Caring for and maintaining the printer • Troubleshooting and solving problems 	<i>User's Guide</i> and <i>Quick Reference Guide</i> —The guides may be available on the <i>Software and Documentation CD</i> . For more information, visit http://support.lexmark.com .
Instructions for: <ul style="list-style-type: none"> • Connecting the printer to an Ethernet network • Troubleshooting printer connection problems 	<i>Networking Guide</i> —Open the <i>Software and Documentation CD</i> , and then look for <i>Printer and Software Documentation</i> under the Pubs folder. From the list of publications, click the Networking Guide link.
Help using the printer software	Windows or Mac Help—Open a printer software program or application, and then click Help . Click  to view context-sensitive information. Notes: <ul style="list-style-type: none"> • Help is automatically installed with the printer software. • The printer software is located in the printer program folder or on the desktop, depending on your operating system.

What are you looking for?	Find it here
<p>The latest supplemental information, updates, and customer support:</p> <ul style="list-style-type: none"> • Documentation • Driver downloads • Live chat support • E-mail support • Voice support 	<p>Lexmark Support Web site— http://support.lexmark.com</p> <p>Note: Select your country or region, and then select your product to view the appropriate support site.</p> <p>Support telephone numbers and hours of operation for your country or region can be found on the Support Web site or on the printed warranty that came with your printer.</p> <p>Record the following information (located on the store receipt and at the back of the printer), and have it ready when you contact customer support so that they may serve you faster:</p> <ul style="list-style-type: none"> • Machine Type number • Serial number • Date purchased • Store where purchased
<p>Warranty information</p>	<p>Warranty information varies by country or region:</p> <ul style="list-style-type: none"> • In the U.S.—See the Statement of Limited Warranty included with this printer, or at http://support.lexmark.com. • In other countries and regions—See the printed warranty that came with your printer.

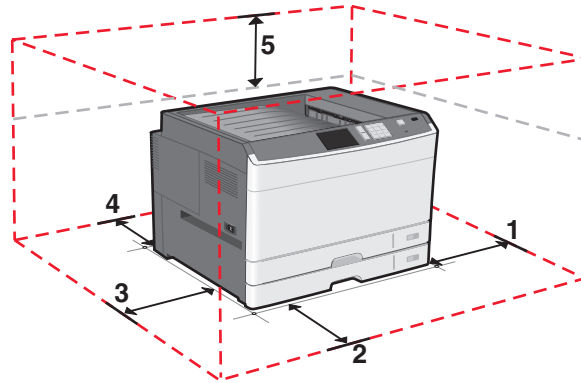
Selecting a location for the printer



CAUTION—POTENTIAL INJURY: The printer weight is greater than 18 kg (40 lb) and requires two or more trained personnel to lift it safely.

When selecting a location for the printer, leave enough room to open trays, covers, and doors. If you plan to install any options, leave enough room for them too. It is important to:

- Set up the printer near a wall outlet.
- Make sure airflow in the room meets the latest revision of the ASHRAE 62 standard or the CEN Technical Committee 156 standard.
- Provide a flat, sturdy, and stable surface.
- Keep the printer:
 - Away from the direct airflow of air conditioners, heaters, or ventilators
 - Free from direct sunlight, humidity extremes, or temperature fluctuations
 - Clean, dry, and free of dust
- Allow the following recommended amount of space around the printer for proper ventilation:

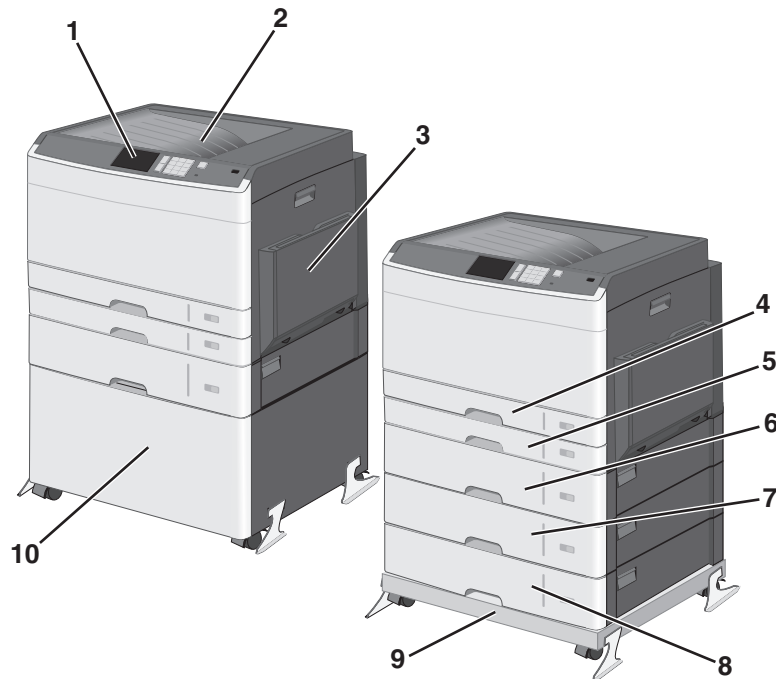


1	385 mm (15.16 in.)
2	609.6 mm (24.0 in.)
3	100 mm (3.94 in.)
4	100 mm (3.94 in.)
5	100 mm (3.94 in.)

Printer configurations

Notes:

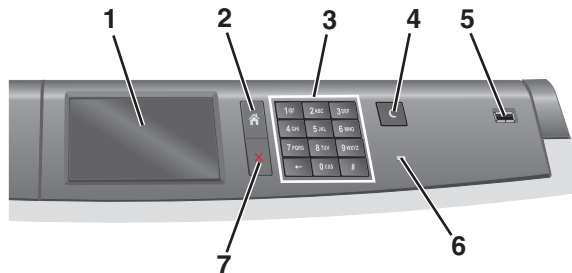
- The printer stand is a cabinet that can be converted into a caster base.
- If used with a printer stand, then the printer supports only one optional 550-sheet tray.
- If used with a caster base, then the printer supports a maximum of three optional 550-sheet trays.



1	Printer control panel
2	Standard exit bin
3	Multipurpose feeder
4	Standard 150-sheet tray
5	Standard 250-sheet tray
6-8	Optional 550-sheet tray
9	Caster base (converted from a printer stand)
10	Printer stand

CAUTION—TIPPING HAZARD: Floor-mounted configurations require additional furniture for stability. You must use either a printer stand or printer base if you are using a high-capacity input tray, a duplex unit and an input option, or more than one input option. If you purchased a multifunction printer (MFP) that scans, copies, and faxes, you may need additional furniture. For more information, see www.lexmark.com/multifunctionprinters.

Understanding the printer control panel



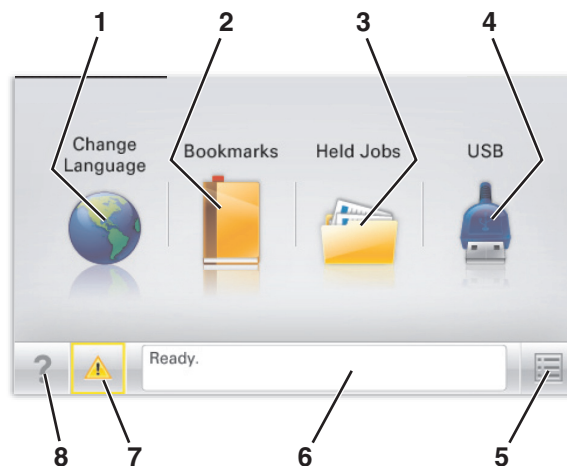
Item		Description
1	Display	Shows the status of the printer
2	Home	Lets you navigate back to the home screen
3	Keypad	Allows you to enter numbers, letters, or symbols
4	Sleep Mode	Enables Sleep Mode Note: Touching the screen or any hard button presses will cause the printer to wake from Sleep Mode.
5	USB port	Allows the user to connect a USB flash drive to the printer Note: Only the front USB port supports flash drives.
6	Indicator light	<ul style="list-style-type: none"> • Off—The printer is off. • Blinking green—The printer is warming up, processing data, or printing. • Solid green—The printer is on, but idle. • Solid red—Operator intervention is needed. • Amber—The printer enters Sleep Mode or Hibernate Mode.
7	Stop/Cancel	Stops all printer activity Note: A list of options is displayed once Stopped appears on the display.

Understanding the home screen

Understanding the home screen

When the printer is turned on, the display shows a basic screen, referred to as the home screen. Use the home screen buttons and icons to initiate an action.

Note: Your home screen, icons, and the buttons may vary depending on your home screen customization settings, administrative setup, and active embedded solutions.



Touch	To
1	Change Language Change the primary language of the printer.
2	Bookmarks Create, organize, and save a set of bookmarks (URLs) into a tree view of folders and file links. Note: The tree view does not include bookmarks created within Forms and Favorites , and the ones in the tree are not usable from within Forms and Favorites .
3	Held Jobs Display all current held jobs.
4	USB or USB Thumbdrive View, select, or print photos and documents from a flash drive. Note: This icon appears only when you return to the home screen while a memory card or flash drive is connected to the printer.
5	Menus Access printer menus. Note: These menus are available only when the printer is in the Ready state.
6	Status message bar <ul style="list-style-type: none"> • Show the current printer status such as Ready or Busy. • Show printer conditions such as Fuser missing or Cartridge Low. • Show intervention messages and the instructions on how to clear them.
7	Status/Supplies <ul style="list-style-type: none"> • Display a warning or error message whenever the printer requires intervention to continue processing. • Access the messages screen for more information on the message, and how to clear it.
8	Tips Open a context-sensitive Help information on the touch screen.

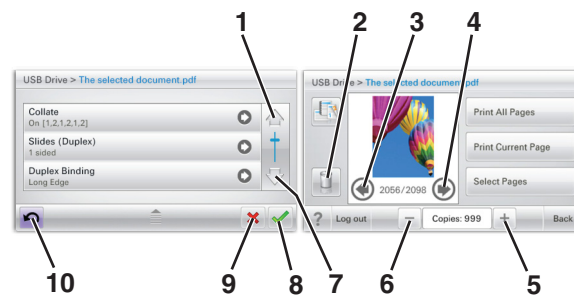
This may also appear on the home screen:






Touch	To
Search Held Jobs	Search current held jobs.






Using the touch-screen buttons

Note: Your home screen, icons, and buttons may vary depending on your home screen customization settings, administrative setup, and active embedded solutions.

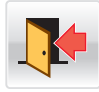

Sample touch screen





	Touch	To
1	Up arrow 	Scroll up.
2	Delete folder 	Delete the file you selected.
3	Left arrow 	Scroll to the left.
4	Right arrow 	Scroll to the right.
5	Right scroll increase 	Scroll to another value in increasing order.

	Touch	To
6	Left scroll decrease 	Scroll to another value in decreasing order.
7	Down arrow 	Scroll down.
8	Accept 	Save a setting.
9	Cancel 	<ul style="list-style-type: none"> • Cancel an action or a selection. • Cancel out a screen and return to the previous screen.
10	Back 	Navigate back to the previous screen.

Other touch-screen buttons

Touch	To
Exit 	Exit from the current screen to the home screen.
Radio button 	Select or clear an item.

Features

Feature	Description
Menu trail line: <u>Menus</u> > <u>Settings</u> > <u>Print Settings</u> > Number of Copies	A menu trail line is located at the top of each menu screen. This feature acts as a trail, showing the path taken to arrive at the current menu. It gives the exact location within the menus. Number of Copies is not underlined since this is the current screen. If you touch an underlined word on the Number of Copies screen before the Number of Copies is set and saved, then the selection is not saved, and does not become the default setting.
Attendance message alert 	If an attendance message affects a function, then this icon appears and the red indicator light blinks.
Warning 	If an error condition occurs, then this icon appears.

Setting up and using the home screen applications

Notes:

- Your home screen, icons, and buttons may vary depending on your home screen customization settings, administrative setup, and active embedded applications. Some applications are supported only on select printer models.
- There may be additional solutions and applications available for purchase.

Finding the IP address of the printer

Note: Make sure your printer is connected to a network or to a print server.

You can find the printer IP address:

- From the top left corner of the printer home screen.
- From the TCP/IP section in the Network/Ports menu.
- By printing a network setup page or menu settings page, and then finding the TCP/IP section.

Note: An IP address appears as four sets of numbers separated by periods, such as 123.123.123.123.

Accessing the Embedded Web Server

The Embedded Web Server is the printer Web page that lets you view and remotely configure printer settings even when you are not physically near the printer.

1 Obtain the printer IP address:

- From the printer control panel home screen
- From the TCP/IP section in the Network/Ports menu
- By printing a network setup page or menu settings page, and then finding the TCP/IP section

Note: An IP address appears as four sets of numbers separated by periods, such as 123 . 123 . 123 . 123.

2 Open a Web browser, and then type the printer IP address in the address field.

3 Press **Enter**.

Note: If you are using a proxy server, then temporarily disable it to load the Web page correctly.

Showing or hiding icons on the home screen

1 From the Embedded Web Server, click **Settings > General Settings > Home screen customization**.

A list of basic printer functions appears.

2 Select the check boxes to specify which icons appear on the printer home screen.


Cleared check box items are hidden.

3 Click **Submit**.


Activating the home screen applications

For detailed information about configuring and using home screen applications, visit the Lexmark Web site at <http://support.lexmark.com>.


Background and Idle Screen

Icon	Description
	<p>The application lets you customize the background and idle screen of your printer home screen.</p>

To change the background of the printer home screen using the printer control panel, do the following:

- 1 From the home screen, navigate to:
Change Background > select background to use
- 2 Touch .

Forms and Favorites


Icon	Description
	<p>The application helps you simplify and streamline work processes by letting you quickly find and print frequently used online forms directly from the home screen. For example, you can print the latest version of a form exactly when you need it. This eliminates inventories of printed forms that can easily become outdated.</p> <p>Note: The printer must have permission to access the network folder, FTP site, or Web site where the bookmark is stored. From the computer where the bookmark is stored, use sharing, security, and firewall settings to allow the printer at least a <i>read</i> access. For help, see the documentation that came with your operating system.</p>

To configure Forms and Favorites, do the following:


- 1 From the Embedded Web Server, click **Settings** > **Device Solutions** > **Solutions (eSF)** > **Forms and Favorites**.
- 2 Define the bookmarks, and then customize the settings.
- 3 Click **Apply**.

To use the application, touch **Forms and Favorites** on the home screen, and then navigate through form categories, or search for forms based on a form number, name, or description.

Eco-Settings

Icon	Description
	<p>The application lets you easily manage energy consumption, noise, toner, and paper usage settings to help reduce the environmental impact of your printer.</p>

Showroom

Icon	Description
	<p>The application lets you create and display a customized slide show on the touch screen of your printer. You can specify how long each slide is displayed, and images can be loaded either from a flash drive or through the printer Embedded Web Server.</p>

Remote Operator Panel

This application shows the printer control panel on your computer screen and lets you interact with the printer control panel, even when you are not physically near the printer. From your computer screen, you can view the printer status, release held print jobs, create bookmarks, and do other print-related tasks you might normally do while standing at the printer.

To activate Remote Operator Panel, do the following:

- 1 From the Embedded Web Server, click **Settings > Device Solutions > Solutions (eSF) > Remote Operator Panel**.
- 2 Select the **Enabled** check box, and then customize the settings.
- 3 Click **Apply**.

To use Remote Operator Panel, from the Embedded Web Server, click **Applications > Remote Operator Panel > Launch VNC Applet**.

Exporting and importing a configuration using the Embedded Web Server

You can export configuration settings into a text file that can then be imported and used to apply the settings to one or more additional printers.

Exporting a configuration

- 1 From the Embedded Web Server, click **Settings** or **Configuration**.
- 2 Click **Device Solutions > Solutions (eSF)**, or click **Embedded Solutions**.
- 3 From Installed Solutions, click the name of the application you want to configure.
- 4 Click **Configure > Export**.
- 5 Follow the instructions on the computer screen to save the configuration file, and then enter a unique file name or use the default name.

Note: If a **JVM Out of Memory** error occurs, then repeat the export until the configuration file is saved.


Importing a configuration

- 1 From the Embedded Web Server, click **Settings** or **Configuration**.
- 2 Click **Device Solutions > Solutions (eSF)**, or click **Embedded Solutions**.
- 3 From Installed Solutions, click the name of the application you want to configure.
- 4 Click **Configure > Import**.
- 5 Browse to the saved configuration file, and then load or preview it.

Note: If a timeout occurs and a blank screen appears, then refresh the browser, and then click **Apply**.

Additional printer setup

Installing internal options

 **CAUTION—SHOCK HAZARD:** If you are accessing the system board or installing optional hardware or memory devices sometime after setting up the printer, then turn the printer off, and unplug the power cord from the wall outlet before continuing. If you have any other devices attached to the printer, then turn them off as well, and unplug any cables going into the printer.

Available internal options

- Memory cards
 - Printer memory
 - Flash memory
 - Fonts
- Firmware cards
 - Bar Code
 - PrintCryption™
- Printer hard disk
- Lexmark™ Internal Solutions Ports (ISP)
 - RS-232-C Serial ISP
 - Parallel 1284-B ISP
 - MarkNet™ N8250 802.11 b/g/n Wireless ISP
 - MarkNet N8130 10/100 Fiber ISP
 - MarkNet N8120 10/100/1000 Ethernet ISP

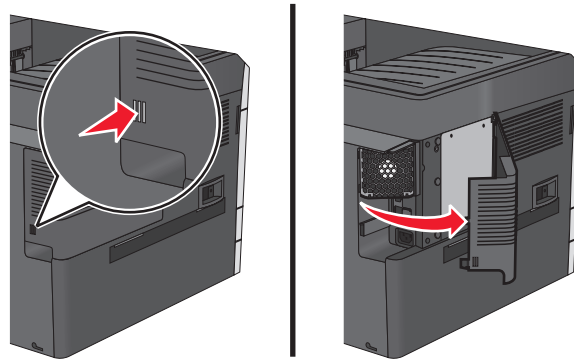
Note: An external kit is needed to support the ISP.

Accessing the system board

CAUTION—SHOCK HAZARD: If you are accessing the system board or installing optional hardware or memory devices sometime after setting up the printer, then turn the printer off, and unplug the power cord from the wall outlet before continuing. If you have any other devices attached to the printer, then turn them off as well, and unplug any cables going into the printer.

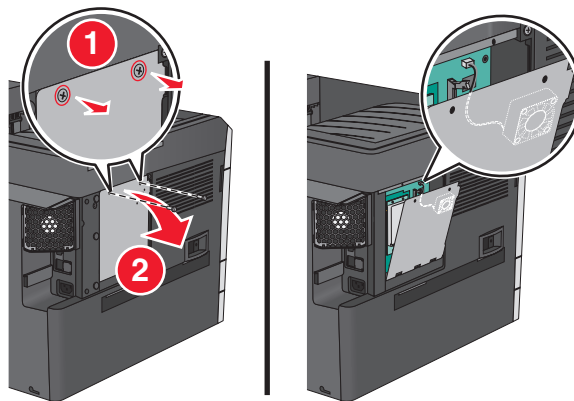
Note: This task requires a flathead screwdriver.

- 1 Remove the cover.



- 2 Turn the screws on the metal panel counterclockwise to remove them, and then pull the panel down.

Note: Remove the two screws emphasized in the illustration.



Note: Do not unplug the fan cable unless necessary.

- 3 Use the following illustration to locate the appropriate connectors.

Warning—Potential Damage: System board electronic components are easily damaged by static electricity. Touch something metal on the printer before touching any system board electronic components or connectors.

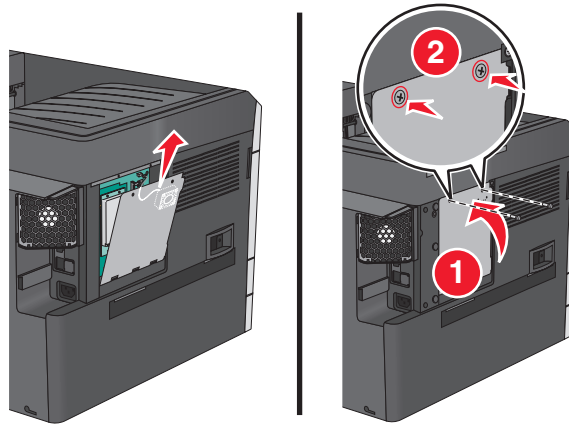
1	Fan cable connector
2	Memory card connector
3	Firmware and flash memory card connectors
4	ISP connector
5	Hard disk connector

4 Reattach the metal panel.

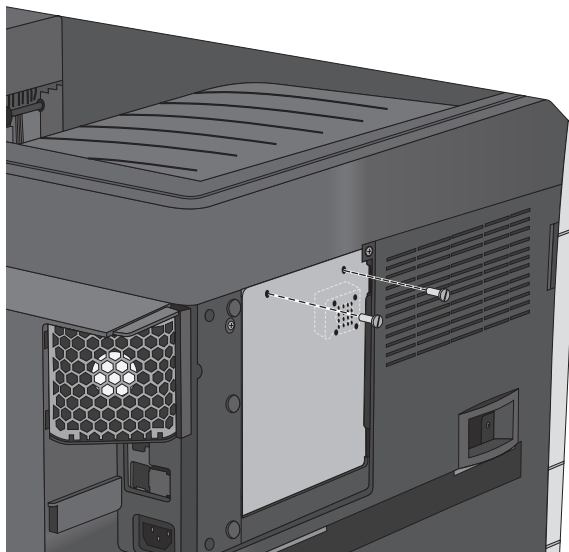
Note: Make sure the fan cable is plugged to its connector before reattaching the metal panel.

Warning—Potential Damage: System board electronic components are easily damaged by static electricity. Touch something metal on the printer before touching any system board electronic components or connectors.

- a Lift up and reattach the metal panel.



- b Turn the screws on the metal panel clockwise.



5 Reattach the cover.

Installing a memory card

CAUTION—SHOCK HAZARD: If you are accessing the system board or installing optional hardware or memory devices sometime after setting up the printer, then turn the printer off, and unplug the power cord from the wall outlet before continuing. If you have any other devices attached to the printer, then turn them off as well, and unplug any cables going into the printer.

Warning—Potential Damage: System board electronic components are easily damaged by static electricity. Touch something metal on the printer before touching any system board electronic components or connectors.

An optional memory card can be purchased separately and attached to the system board.

1 Access the system board.

For more information, see “Accessing the system board” on page 22.

Notes:

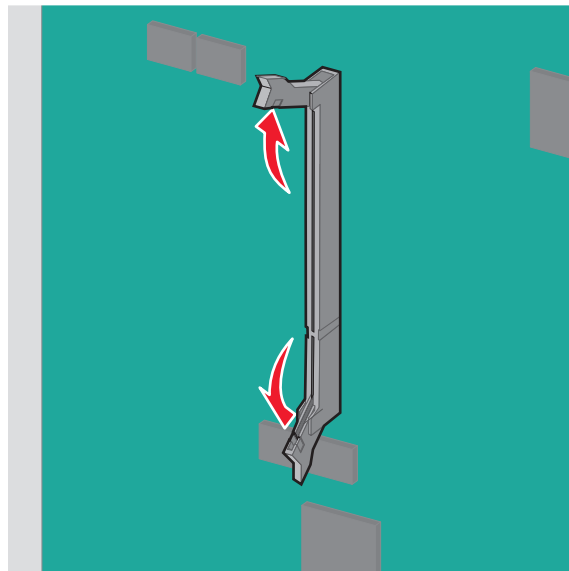
- This task requires a flathead screwdriver.
- Do not unplug the fan cable upon opening the metal panel.

Note:

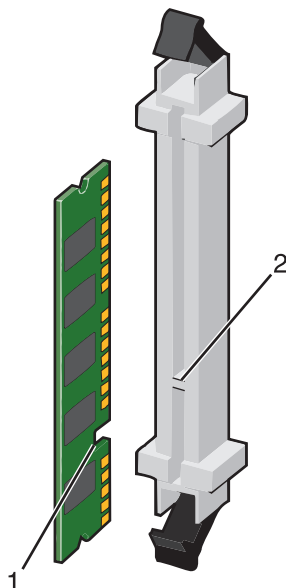
2 Unpack the memory card.

Note: Avoid touching the connection points along the edge of the card.

3 On the system board, open the memory card connector latches.

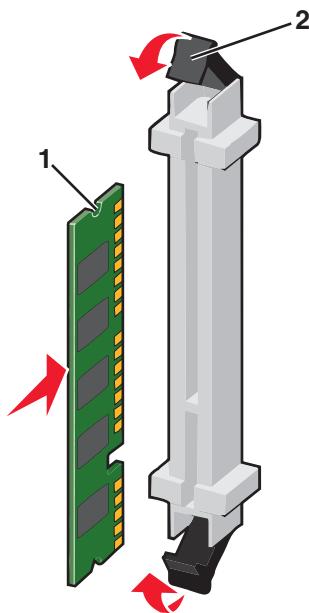


4 Align the notches on the memory card to the ridges on the connector.



1	Notch
2	Ridge

5 Push the memory card straight into the connector until it *clicks* into place.



6 Reattach the system board cover.

Installing a flash memory or firmware card

The system board has two connections for an optional flash memory or firmware card. Only one of each may be installed, but the connectors are interchangeable.

CAUTION—SHOCK HAZARD: If you are accessing the system board or installing optional hardware or memory devices sometime after setting up the printer, then turn the printer off, and unplug the power cord from the wall outlet before continuing. If you have any other devices attached to the printer, then turn them off as well, and unplug any cables going into the printer.

Warning—Potential Damage: System board electronic components are easily damaged by static electricity. Touch something metal on the printer before touching any system board electronic components or connectors.

1 Access the system board.

For more information, see “Accessing the system board” on page 22.

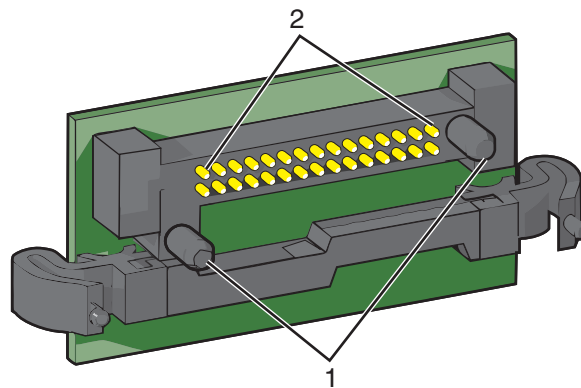
Notes:

- This task requires a flathead screwdriver.
- Do not unplug the fan cable upon opening the metal panel.

2 Unpack the card.

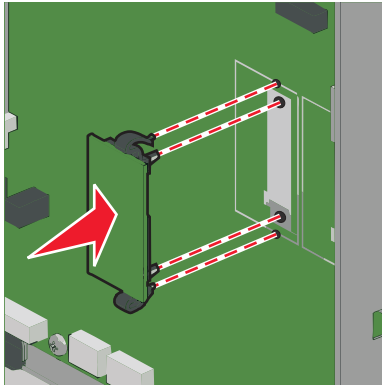
Note: Avoid touching the connection points along the edge of the card.

3 Holding the card by its sides, align the plastic pins on the card with the holes on the system board.



1	Plastic pins
2	Metal pins

- 4 Push the card firmly into place.

**Notes:**

- The entire length of the connector on the card must touch and be flush against the system board.
- Be careful not to damage the connectors.

- 5 Reattach the system board cover.

Installing an Internal Solutions Port

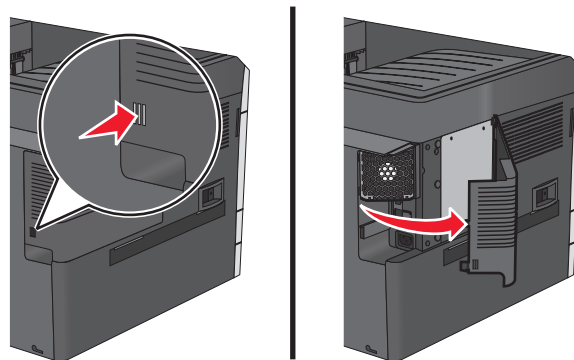
The system board supports one optional Lexmark Internal Solutions Port (ISP).

Note: This task requires a flathead screwdriver.

CAUTION—SHOCK HAZARD: If you are accessing the system board or installing optional hardware or memory devices sometime after setting up the printer, then turn the printer off, and unplug the power cord from the wall outlet before continuing. If you have any other devices attached to the printer, then turn them off as well, and unplug any cables going into the printer.

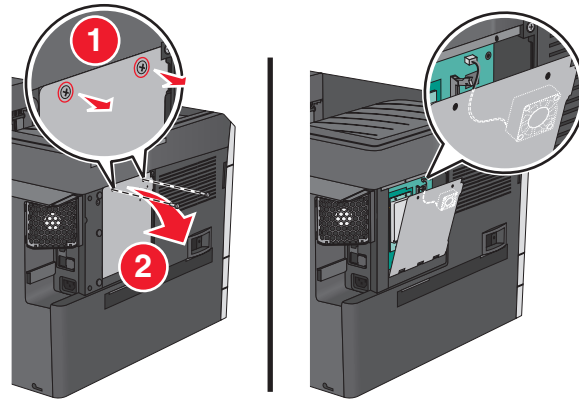
Warning—Potential Damage: System board electronic components are easily damaged by static electricity. Touch something metal on the printer before touching any system board electronic components or connectors.

- 1 Remove the cover.

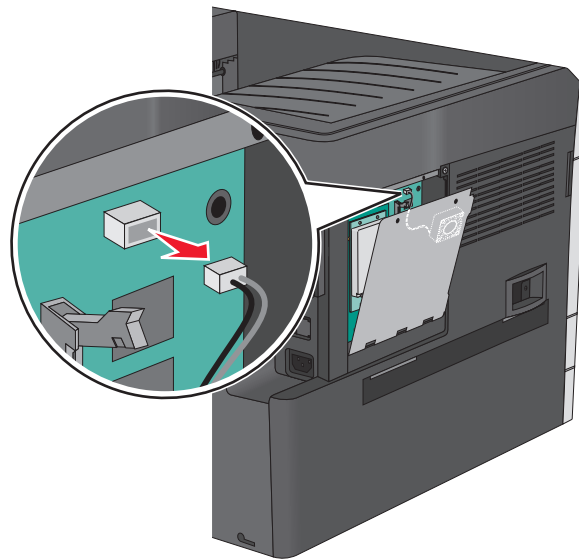


- 2 Turn the screws on the metal panel counterclockwise to remove them, and then pull the panel down.

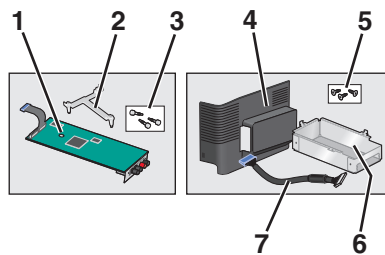
Note: Remove the two screws emphasized in the illustration.



3 Unplug the fan cable from its connector on the system board.



4 Unpack the ISP and Connectivity Installation Kit.

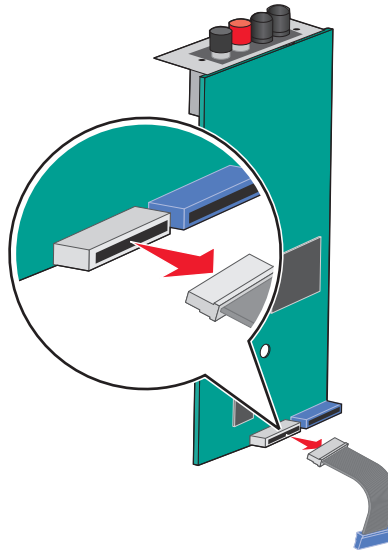


ISP	
1	ISP
2	Plastic mounting bracket
3	Screws
Connectivity Installation Kit	
4	Plastic cover
5	Screws

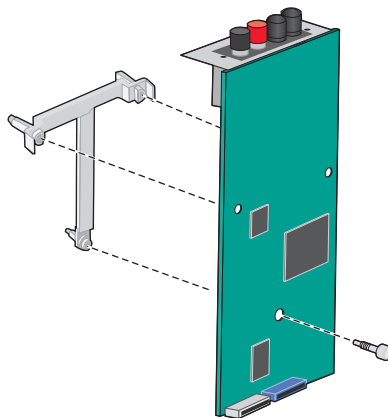
6	Metal housing
7	ISP cable

Note: Several parts may be in the ISP and Connectivity Installation Kit.

- 5 Remove the old ISP cable.

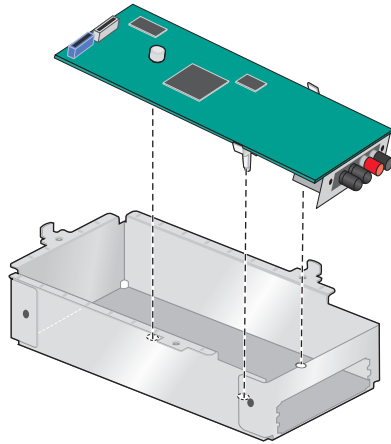


- 6 Using a thumbscrew, attach the plastic mounting bracket to the back of the ISP.

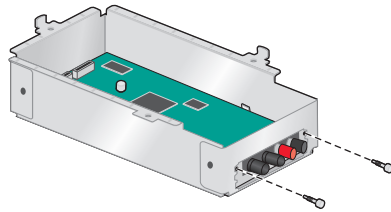


- 7 Insert the ISP into the metal housing.

Note: The plastic mounting bracket attached to the ISP has three tabs that will *click* into the holes of the metal housing.

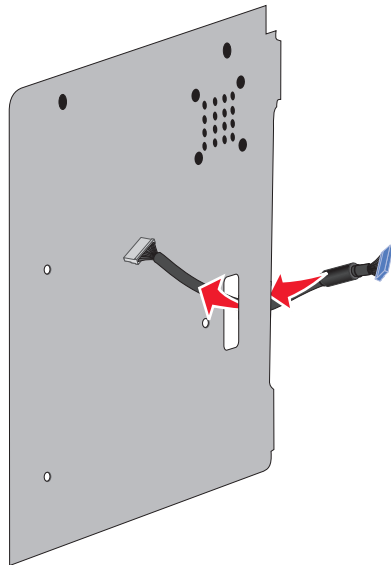


8 Attach the ISP to the metal housing using two thumbscrews.

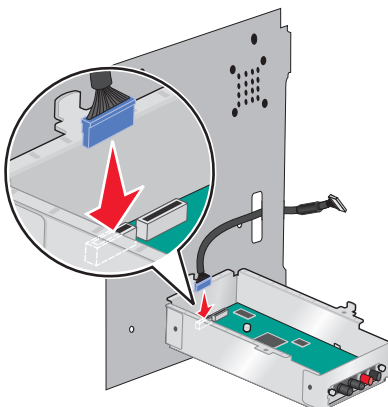


9 Route the new ISP cable through the opening of the metal panel.

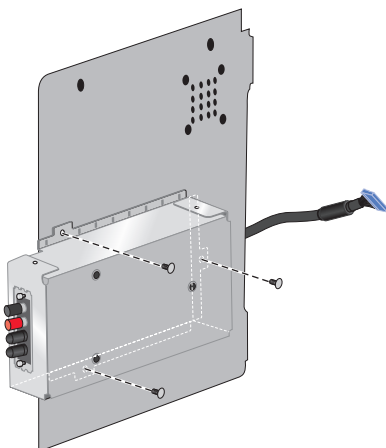
Note: The ISP cable in the Connectivity Installation Kit is longer than the old one.



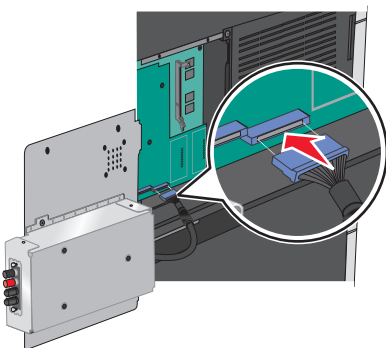
10 Attach the ISP cable to the connector on the ISP.



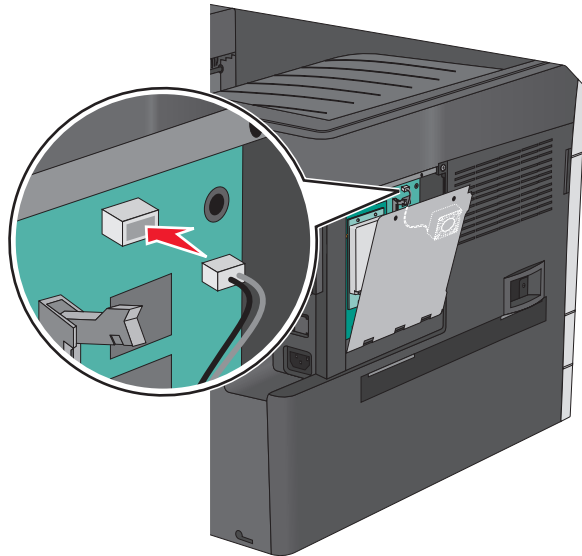
11 Attach the ISP to the metal panel using three screws that came with the Connectivity Installation Kit.



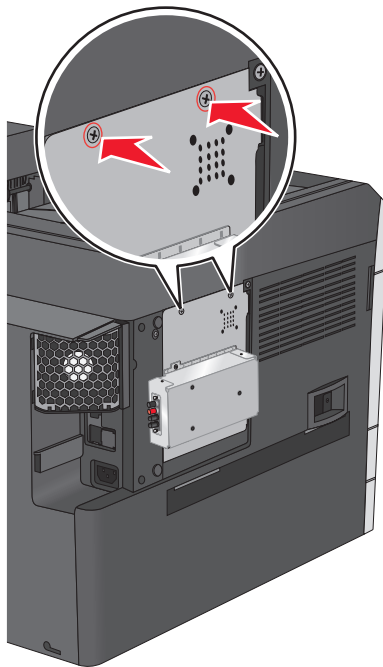
12 Attach the ISP cable to the connector on the system board.



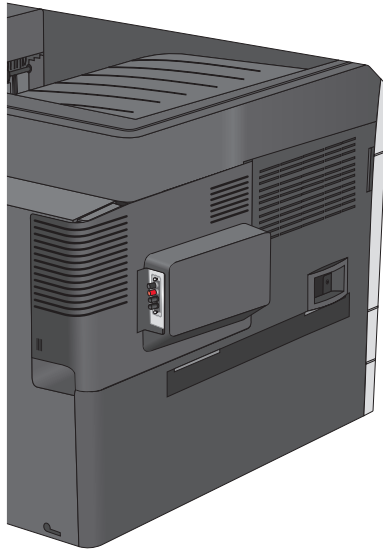
13 Reconnect the fan cable to its connector on the system board.



14 Attach the ISP to the printer.



- 15 Snap on the plastic cover over the metal housing.



Installing a printer hard disk

The optional printer hard disk can be installed with or without a Lexmark Internal Solutions Port (ISP).

CAUTION—SHOCK HAZARD: If you are accessing the system board or installing optional hardware or memory devices sometime after setting up the printer, then turn the printer off, and unplug the power cord from the wall outlet before continuing. If you have any other devices attached to the printer, then turn them off as well, and unplug any cables going into the printer.

Warning—Potential Damage: System board electronic components are easily damaged by static electricity. Touch something metal on the printer before touching any system board electronic components or connectors.

- 1 Access the system board.

For more information, see “Accessing the system board” on page 22.

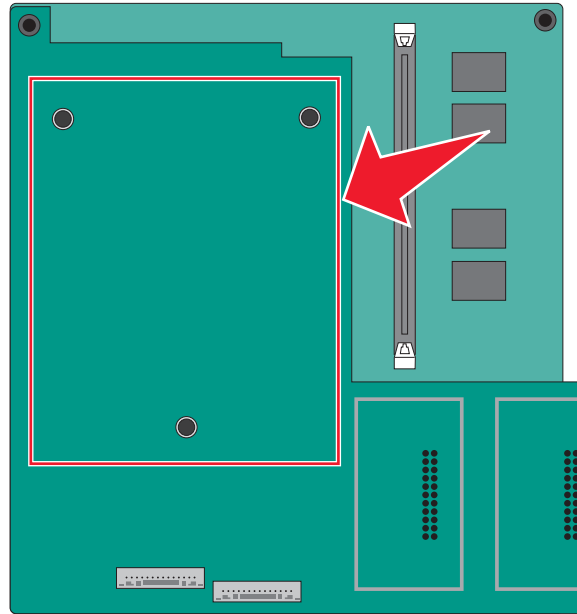
Notes:

- This task requires a flathead screwdriver.
- Do not unplug the fan cable upon opening the metal panel.

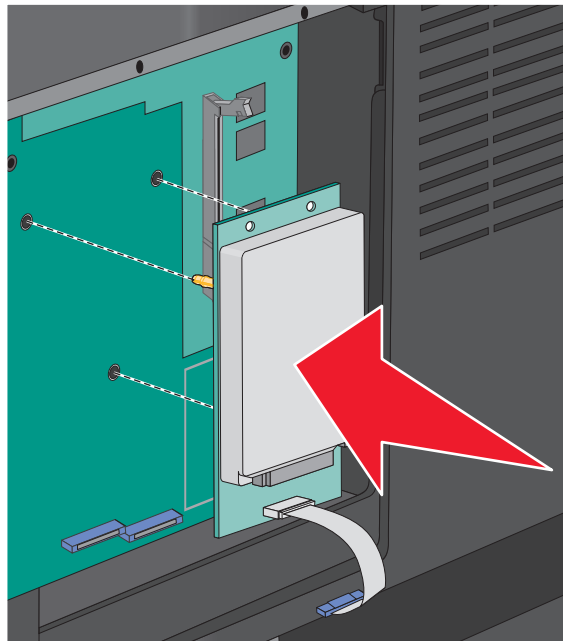
- 2 Unpack the printer hard disk.

Note: Avoid touching the components on the card.

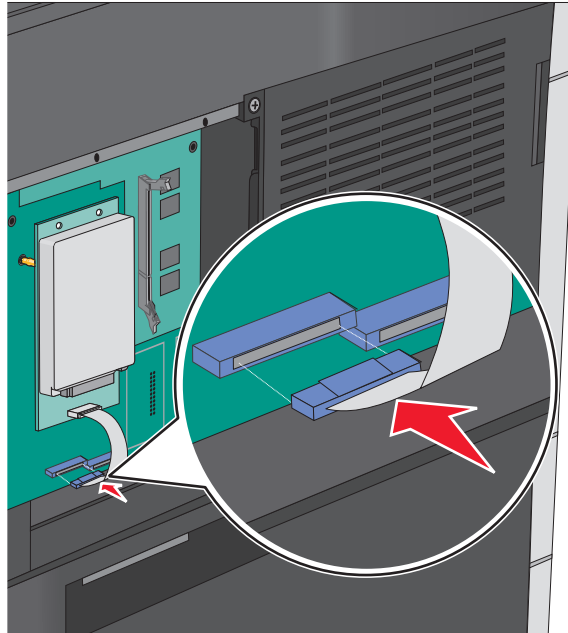
- 3 Locate the appropriate connector on the system board.



- 4 Align the standoffs of the printer hard disk to the holes on the system board, and then press on the printer hard disk until the standoffs are in place.



- 5 Insert the plug of the printer hard disk interface cable into the receptacle of the system board.



- 6 Reattach the system board cover.

Removing the printer hard disk

Note: This task requires a flathead screwdriver.

Warning—Potential Damage: System board electronic components are easily damaged by static electricity. Touch something metal on the printer before touching any system board electronic components or connectors.

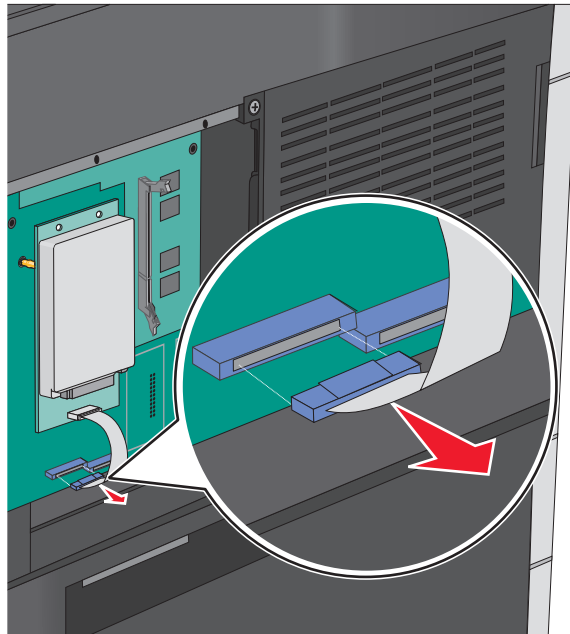
- 1 Access the system board.

For more information, see “Accessing the system board” on page 22.

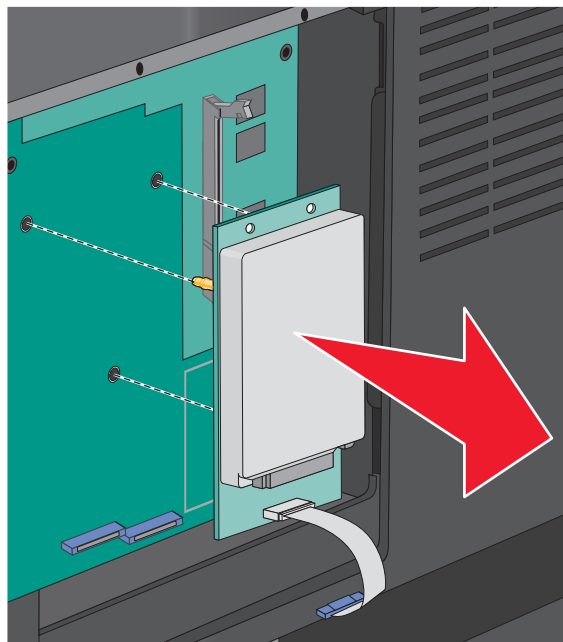
Notes:

- This task requires a flathead screwdriver.

- Do not unplug the fan cable upon opening the metal panel.
- 2 Unplug the printer hard disk interface cable from the system board, leaving the cable attached to the printer hard disk. To unplug the cable, squeeze the paddle at the plug of the interface cable to disengage the latch before pulling the cable out.




- 3 Remove the printer hard disk.



- 4 Reattach the system board cover.

Installing optional trays

Order of installation

 **CAUTION—TIPPING HAZARD:** Floor-mounted configurations require additional furniture for stability. You must use either a printer stand or printer base if you are using a high-capacity input tray, a duplex unit and an input option, or more than one input option. If you purchased a multifunction printer (MFP) that scans, copies, and faxes, you may need additional furniture. For more information, see www.lexmark.com/multifunctionprinters.


Install the printer and any options you have purchased in the following order:


- Printer stand
- Optional 550-sheet trays
- Printer

For more information on converting a printer stand to caster base, and installing a printer stand, caster base or optional 550-sheet tray, see the documentation that came with the printer option.

Installing a printer stand and optional tray

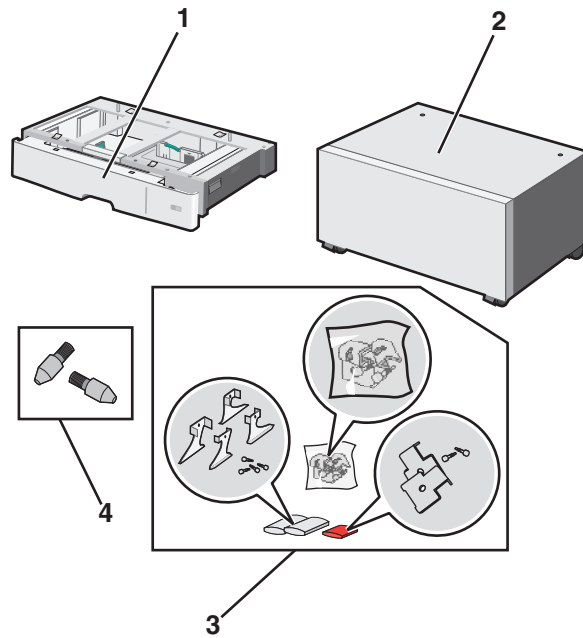
Note: If used with a printer stand, then the printer supports only one optional 550-sheet tray.

 **CAUTION—POTENTIAL INJURY:** The printer weight is greater than 18 kg (40 lb) and requires two or more trained personnel to lift it safely.

 **CAUTION—SHOCK HAZARD:** If you are accessing the system board or installing optional hardware or memory devices sometime after setting up the printer, then turn the printer off, and unplug the power cord from the wall outlet before continuing. If you have any other devices attached to the printer, then turn them off as well, and unplug any cables going into the printer.

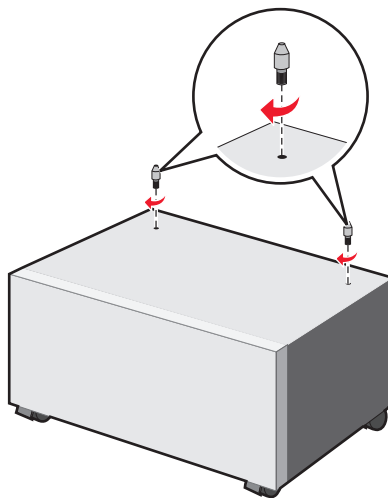
Note: This task requires a screwdriver.

- 1 Unpack the optional tray and printer stand, and then remove all packing material.

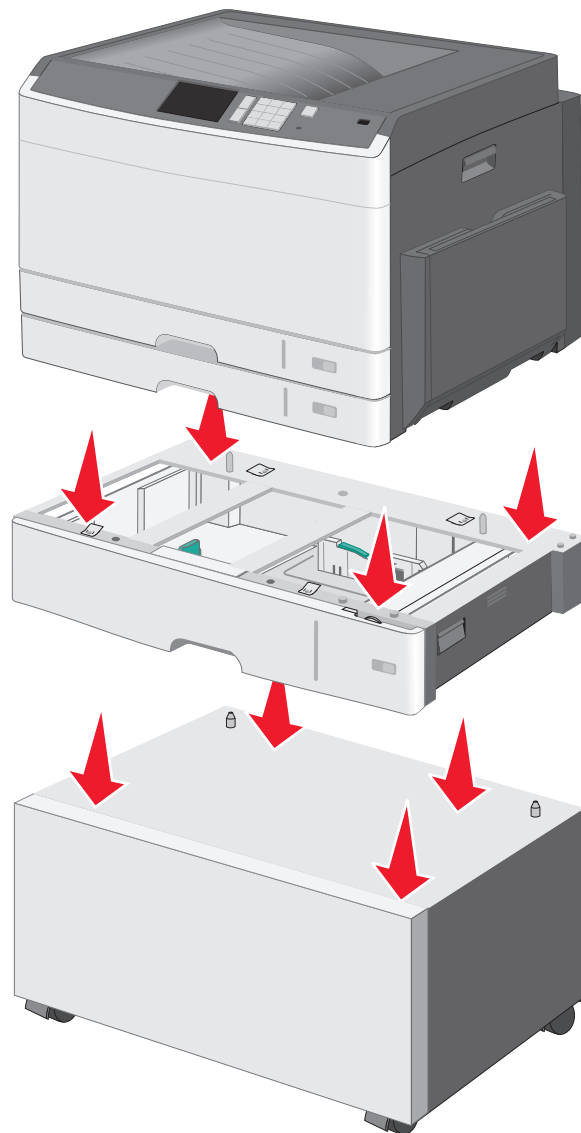


1	Optional 550-sheet tray
2	Printer stand
3	Brackets and screws
4	Thumbscrews

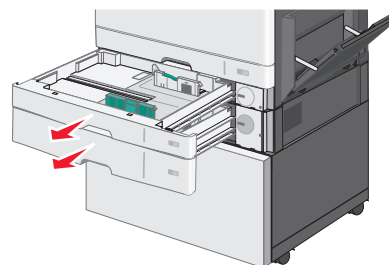
- 2 Turn the printer off, and unplug the power cord from the wall outlet before continuing. If you have any other devices attached to the printer, then turn them off as well, and unplug any cables going into the printer.
- 3 Attach the thumbscrews on top of the printer stand.



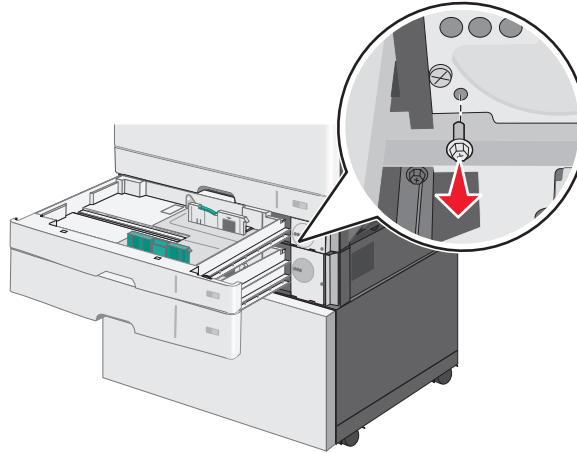
- 4 Align the optional tray to the printer stand, then lower the printer to the tray.



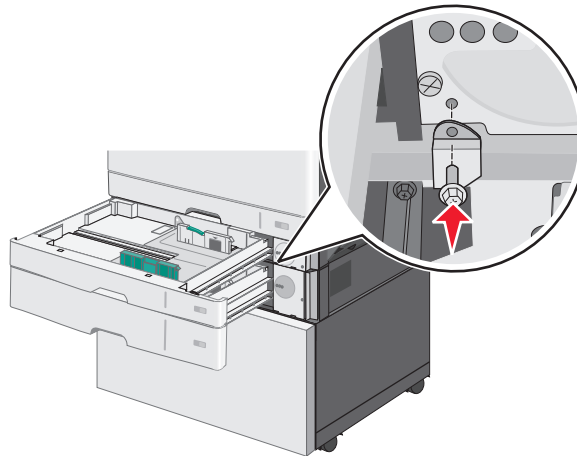
- 5 Lock the standard and optional trays together using the brackets that came with the optional tray.
- a Open the standard 250- and optional 550-sheet tray.



- b** Remove the screw from the 250-sheet tray.



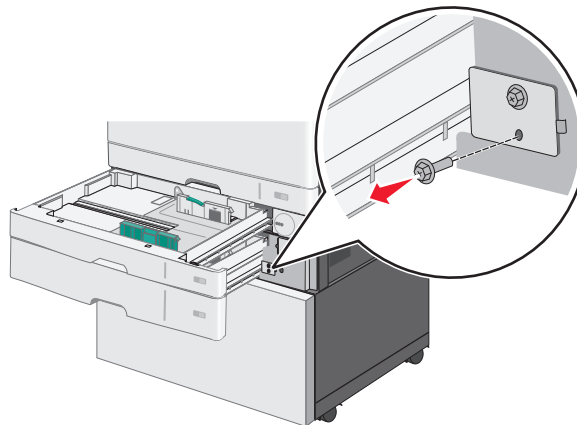
- c** Place a bracket over the screw hole and secure it with the screw.



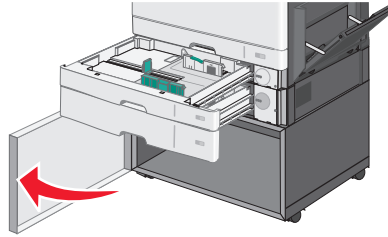
- d** Close the trays.

- 6** Lock the optional 550-sheet tray to the printer stand.

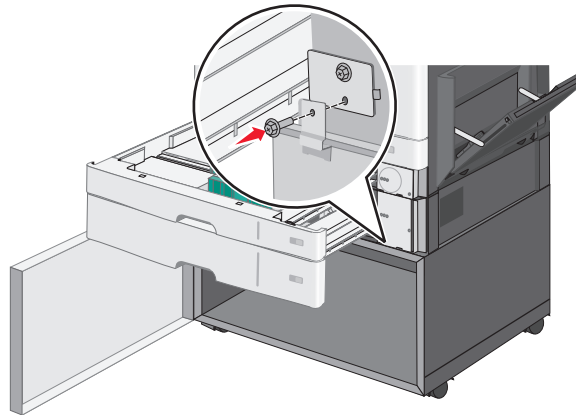
- a** Open the optional 550-sheet tray and remove the screw.



b Open the printer stand.

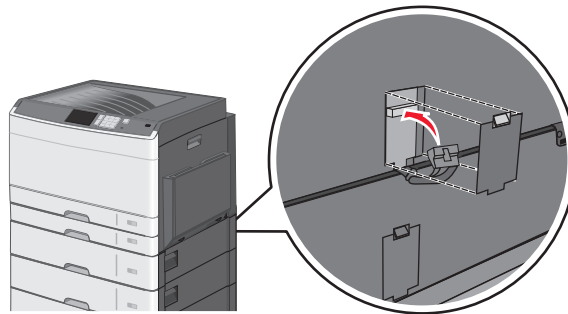


c Place a bracket over the screw hole and secure it with the screw.

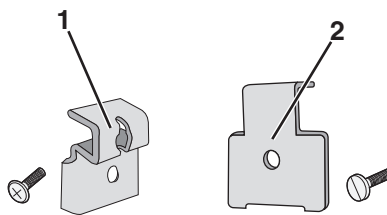


d Close the optional tray and printer stand.

7 Plug in the electrical connections between trays.

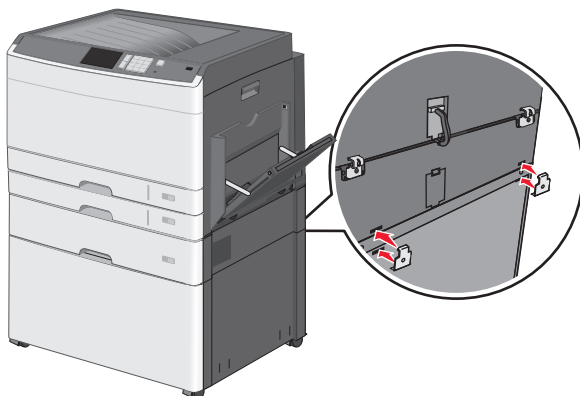


8 Attach brackets to the back of the printer, optional tray, and printer stand.

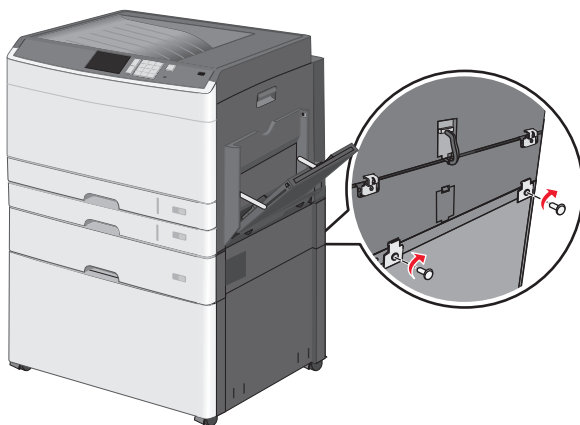


1	Bracket to lock optional tray to printer
2	Bracket to lock optional tray to printer stand

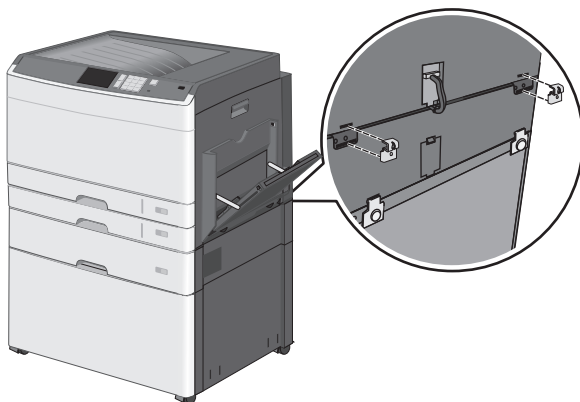
- a Insert brackets on the slots located at the back of the optional tray and printer stand.



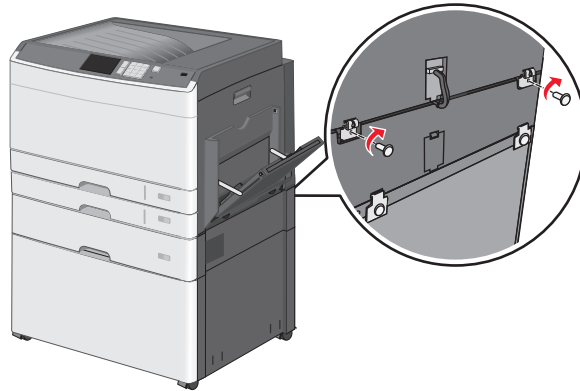
- b Secure the brackets with screws.



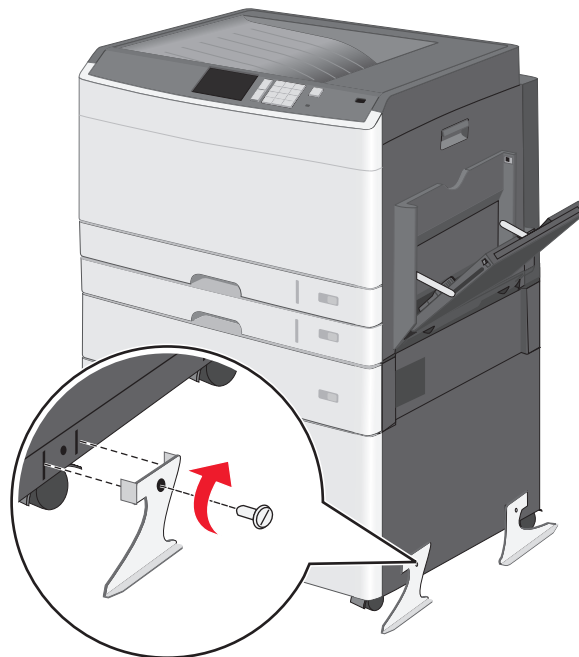
- c Insert brackets on the slots located at the back of the printer and optional tray.



- d** Secure the brackets with screws.



- 9** Insert the bases on the slots at the sides of the printer stand and secure them with screws.



- 10** Turn the printer back on.
- 11** Set the printer software to recognize the optional input source.
For more information, see “Updating available options in the printer driver” on page 51.

Installing 550-sheet trays

Notes:

- The printer supports a maximum of three optional 550-sheet trays.

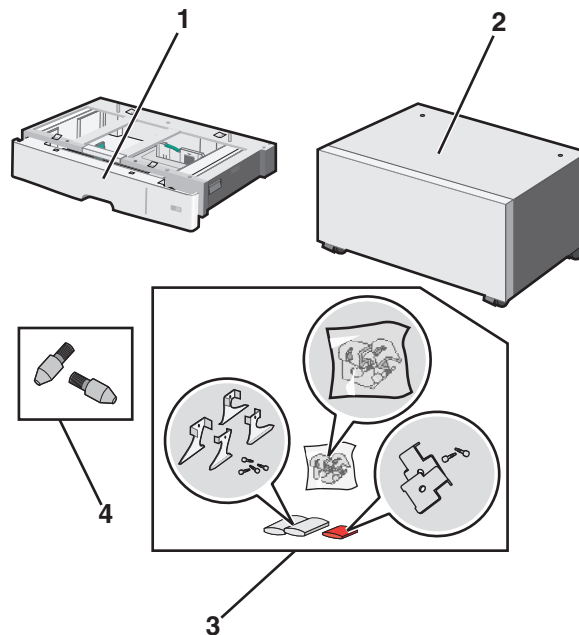
- When installing three optional 550-sheet trays, use a printer stand converted into a caster base.

CAUTION—POTENTIAL INJURY: The printer weight is greater than 18 kg (40 lb) and requires two or more trained personnel to lift it safely.

CAUTION—SHOCK HAZARD: If you are accessing the system board or installing optional hardware or memory devices sometime after setting up the printer, then turn the printer off, and unplug the power cord from the wall outlet before continuing. If you have any other devices attached to the printer, then turn them off as well, and unplug any cables going into the printer.

Note: This task requires a screwdriver.

- 1 Unpack the optional tray and the printer stand, and then remove all packing material.

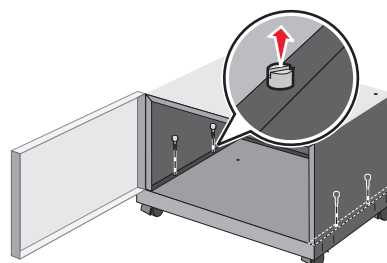


1	Optional 550-sheet tray
2	Printer stand
3	Brackets and screws
4	Thumbscrews

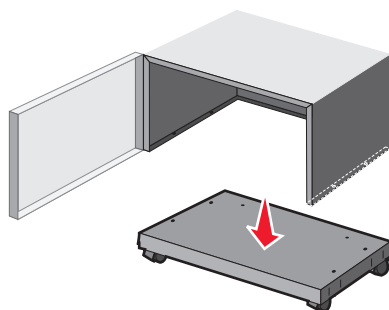
- 2 Turn the printer off, and unplug the power cord from the wall outlet before continuing. If you have any other devices attached to the printer, then turn them off as well, and unplug any cables going into the printer.

- 3 Convert the printer stand into a caster base.

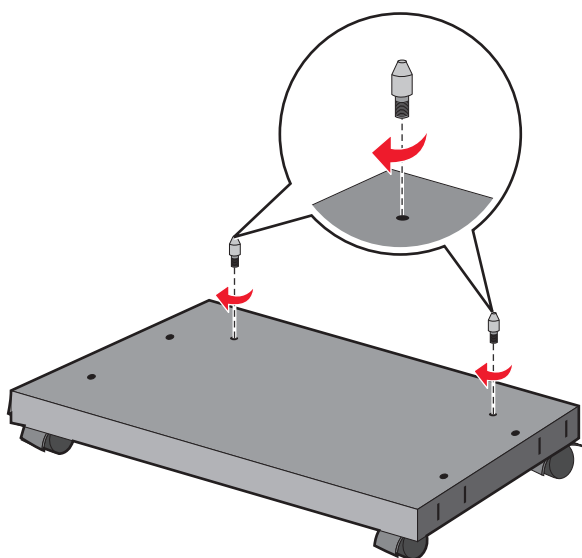
- a Remove the four screws inside the printer stand.



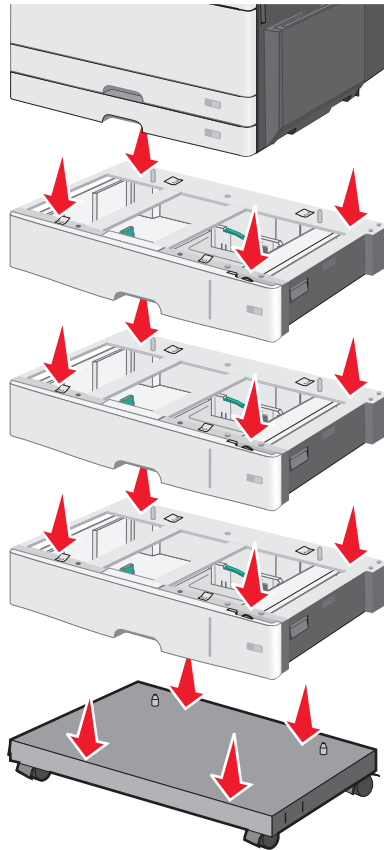
- b** Lift the upper portion of the printer stand, leaving the base.



- 4** Attach the thumbscrews on the caster base.

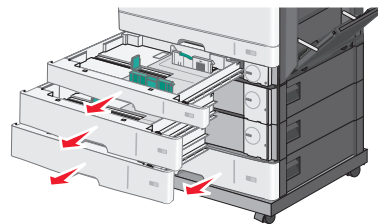


5 Align the trays to the caster base, then lower the printer to the trays.

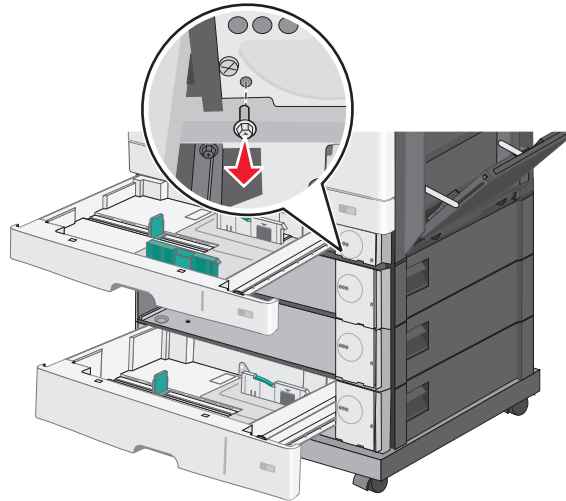


6 Lock the standard and optional trays together using the brackets that came with the optional tray.

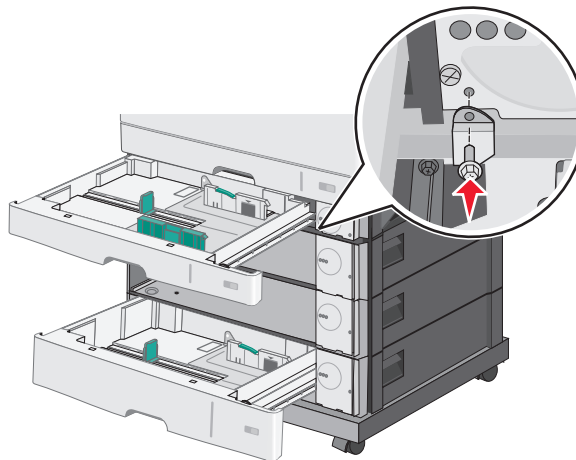
a Open the standard 250- and optional 550-sheet tray.



- b** Remove the screw from the 250-sheet tray.



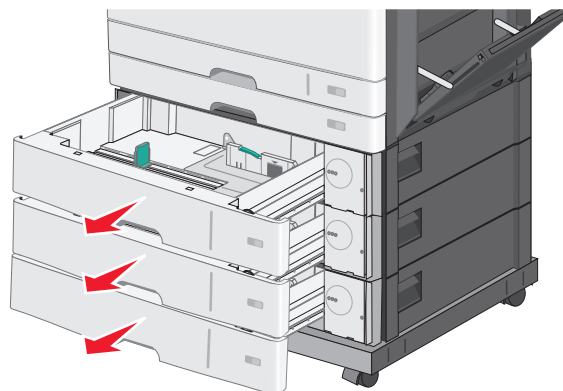
- c** Place a bracket over the screw hole and secure it with the screw.



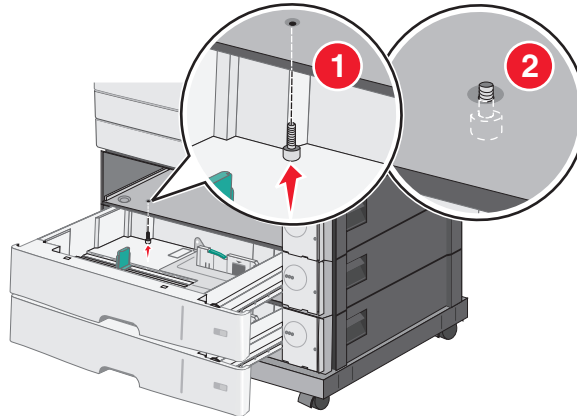
- d** Close the trays.

- 7** Lock the optional 550-sheet trays together using the screws that came with the trays.

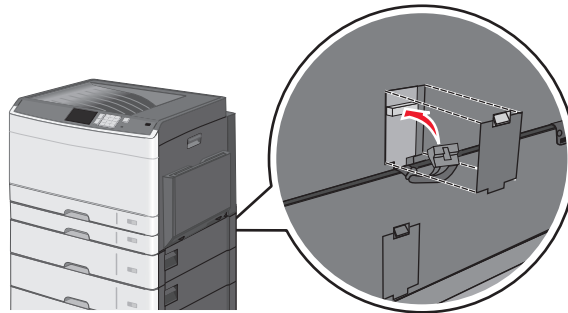
- a** Remove the upper optional 550-sheet tray drawer. Leave the lower optional trays open.



- b** Reach into the lower optional tray and insert a screw, pushing it upward to the optional tray above it.

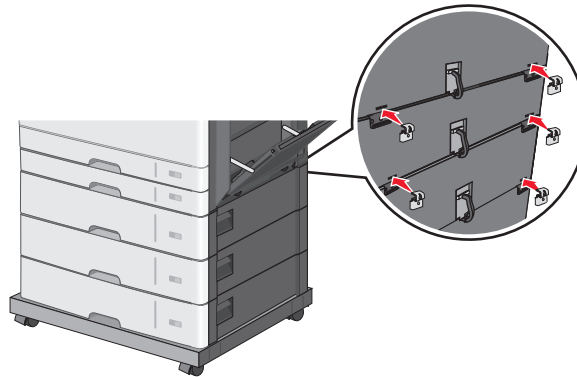


- 8** Plug in the electrical connections between trays.

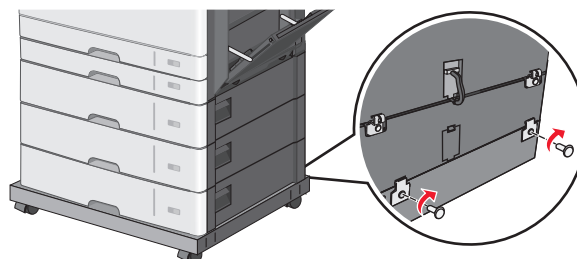


- 9** Attach brackets to the back of the printer and optional trays.

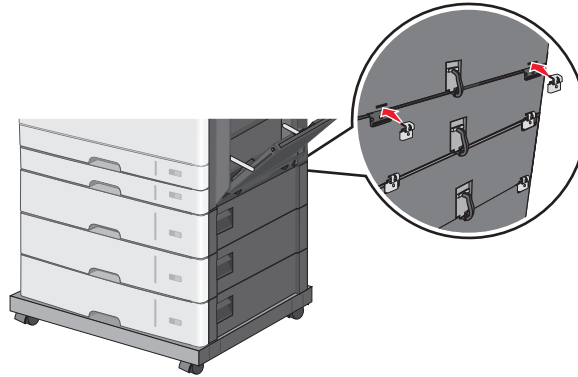
- a** Insert brackets on the slots located at the back of the optional trays.



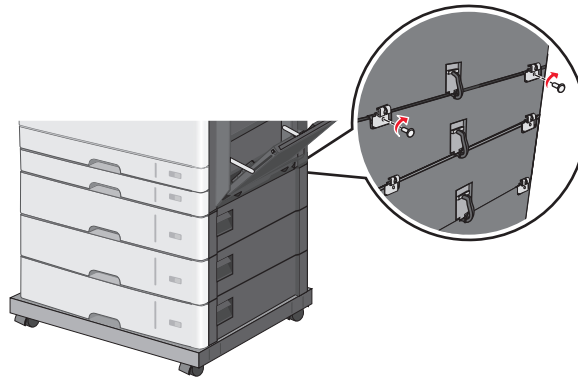
- b** Secure the brackets with screws.



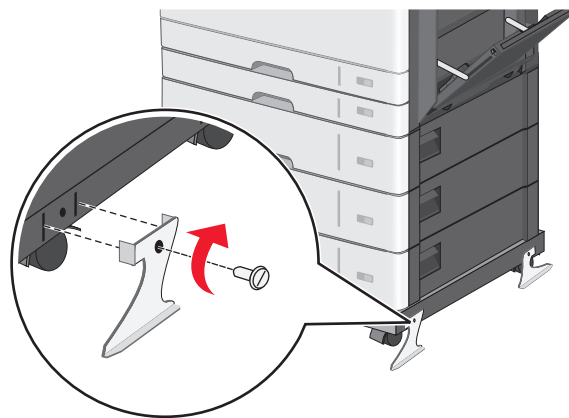
- c Insert brackets on the slots located at the back of the printer and optional tray.



- d Secure the brackets with screws.



- 10 Insert the bases on the slots at the sides of the caster base and secure them with screws.



- 11 Turn the printer back on.

- 12 Set the printer software to recognize the optional input source.

For more information, see “Updating available options in the printer driver” on page 51.

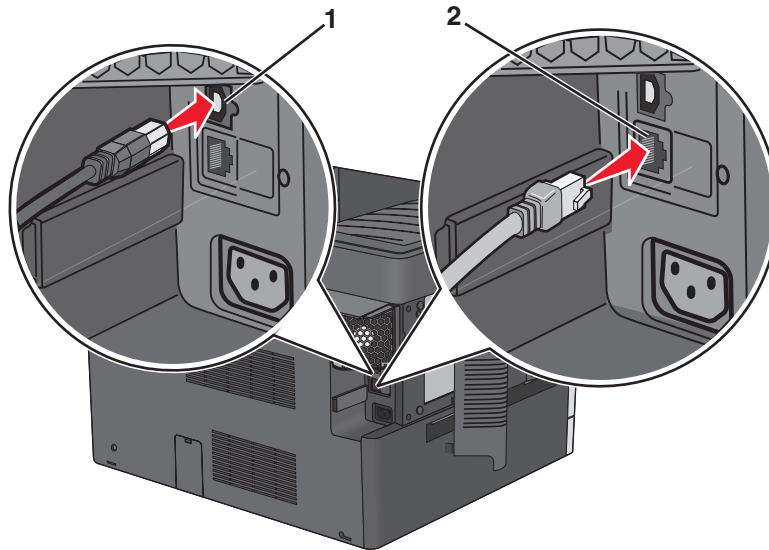
Attaching cables

⚡ CAUTION—SHOCK HAZARD: Do not set up this product or make any electrical or cabling connections, such as a power cord, a fax feature, or USB cable, during a lightning storm.

Connect the printer to the computer using a USB cable or Ethernet cable.

Be sure to match the following:

- The USB symbol on the cable with the USB symbol on the printer
- The appropriate Ethernet cable to the Ethernet port



1	USB port Warning—Potential Damage: Do not touch the USB cable, any network adapter, or the printer in the area shown while actively printing. A loss of data or a malfunction can occur.
2	Ethernet port

Verifying printer setup

Printing a menu settings page

From the home screen, navigate to:

 > **Reports > Menu Settings Page**

Printing a network setup page

If the printer is attached to a network, then print a network setup page to verify the network connection. This page also provides important information that aids network printing configuration.

1 From the home screen, navigate to:

 > **Reports > Network Setup Page**

2 Check the first section of the network setup page, and confirm that the status is **Connected**.

If the status is **Not Connected**, then the LAN drop may not be active, or the network cable may be malfunctioning. Consult a system support person for a solution, and then print another network setup page.

Setting up the printer software

Installing the printer software

Notes:

- If you installed the printer software on the computer before but need to reinstall the software, then uninstall the current software first.
- Close all open software programs before installing the printer software.

1 Obtain a copy of the software installer package.

- From the *Software and Documentation* CD that came with your printer.
- From our Web site:
Go to <http://support.lexmark.com>, and then navigate to:
SUPPORT & DOWNLOAD > select your printer > select your operating system

2 Double-click the software installer package.

Wait for the installation dialog to appear.


If you are using a *Software and Documentation* CD and the installation dialog does not appear, then do the following:

In Windows 8

From the Search charm, type **run**, and then navigate to:

Apps list > **Run** > type **D:\setup.exe** > **OK**.

In Windows 7 or earlier

- a Click  or click **Start**, and then click **Run**.
- b In the Start Search or Run dialog, type **D:\setup.exe**.
- c Press **Enter**, or click **OK**.

In Macintosh

Click the CD icon on the desktop.

Note: D is the letter of your CD or DVD drive.

3 Click **Install**, and then follow the instructions on the computer screen.

Updating available options in the printer driver

When any hardware options are installed, you may need to manually add the options in the printer driver to make them available for use.

For Windows users


1 Open the printers folder.

In Windows 8

From the Search charm, type **run**, and then navigate to:

Apps list > **Run** > type **control printers** > **OK**

In Windows 7 or earlier

- a** Click  or click **Start**, and then click **Run**.
- b** In the Start Search or Run dialog, type **control printers**.
- c** Press **Enter**, or click **OK**.

- 2** Depending on your device, do either of the following:
 - Press and hold the printer you want to update.
 - Right-click the printer you want to update.
- 3** From the menu that appears, do either of the following:
 - For Windows 7 or later, select **Printer properties**.
 - For earlier versions, select **Properties**.
- 4** Click the **Configuration** tab.
- 5** Do either of the following:
 - Click **Update Now - Ask Printer**.
 - Under Configuration Options, manually add any installed hardware options.
- 6** Click **Apply**.

For Macintosh users

- 1** From the Apple menu, navigate to either of the following:
 - **System Preferences** > **Print & Scan** > select your printer > **Options & Supplies** > **Driver**
 - **System Preferences** > **Print & Fax** > select your printer > **Options & Supplies** > **Driver**
- 2** Add any installed hardware options, and then click **OK**.

Setting up wireless printing

Note: A Service Set Identifier (SSID) is a name assigned to a wireless network. Wireless Encryption Protocol (WEP) and Wi-Fi Protected Access (WPA) are types of security used on a network.

Preparing to set up the printer on a wireless network

Notes:

- Make sure your access point (wireless router) is turned on and is working properly.
- Do not connect the installation or network cables until prompted to do so by the setup software.

Make sure you have the following information before setting up the printer on a wireless network:

- **SSID**—The SSID is also referred to as the network name.
- **Wireless Mode (or Network Mode)**—The mode is either infrastructure or ad hoc.

- **Channel (for ad hoc networks)**—The channel defaults to automatic for infrastructure networks.
Some ad hoc networks will also require the automatic setting. Check with your system support person if you are not sure which channel to select.
- **Security Method**—There are four basic options for Security Method:
 - WEP key
If your network uses more than one WEP key, then enter up to four in the provided spaces. Select the key currently in use on the network by selecting the default WEP transmit key.
 - WPA or WPA2 preshared key or passphrase
WPA includes encryption as an additional layer of security. The choices are AES or TKIP. Encryption must be set for the same type on the router and on the printer, or the printer will not be able to communicate on the network.
 - 802.1X–RADIUS
If you are installing the printer on an 802.1X network, then you may need the following:
 - Authentication type
 - Inner authentication type
 - 802.1X user name and password
 - Certificates
 - No security
If your wireless network does not use any type of security, then you will not have any security information.
Note: Using an unsecured wireless network is not recommended.

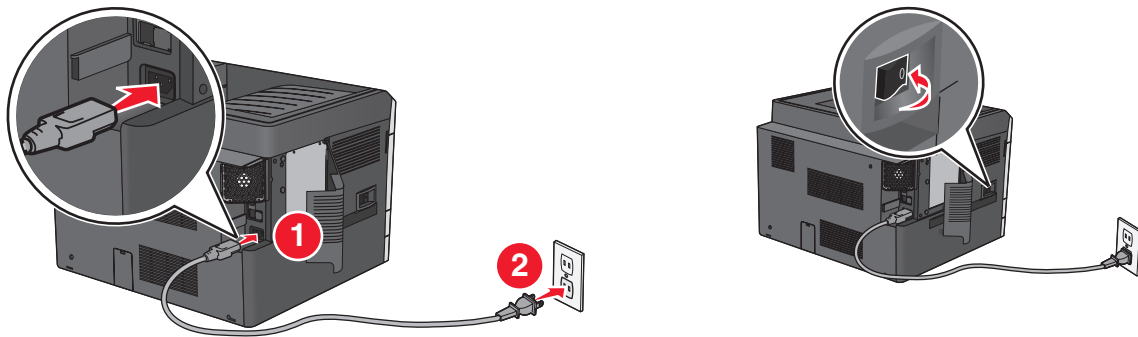
Notes:

- If you do not know the SSID of the network that your computer is connected to, then launch the wireless utility of the computer network adapter, and then look for the network name. If you cannot find the SSID or the security information for your network, then see the documentation that came with the access point or contact your system support person.
- To find the WPA/WPA2 preshared key or passphrase for the wireless network, see the documentation that came with the access point, see the Embedded Web Server associated with the access point, or consult your system support person.

Installing the printer on a wireless network (Windows)

Before installing the printer on a wireless network, make sure:

- Your wireless network is set up and is working properly.
 - The computer you are using is connected to the same wireless network where you want to set up the printer.
- 1 Connect the power cord to the printer, then to a properly grounded electrical outlet, and then turn on the printer.



Note: Make sure the printer and the computer are fully on and ready.

Warning—Potential Damage: Do not connect the USB cable until instructed to do so on the computer screen.



2 Obtain a copy of the software installer package.

- From the *Software and Documentation* CD that came with your printer.
- From our Web site:
Go to <http://support.lexmark.com>, and then navigate to:
SUPPORT & DOWNLOAD > select your printer > select your operating system

3 Double-click the software installer package.

Wait for the installation dialog to appear.


If you are using the *Software and Documentation* CD and the installation dialog does not appear, then do the following:

In Windows 8

From the Search charm, type **run**, and then navigate to:

Apps list > **Run** > type **D:\setup.exe** > **OK**

In Windows 7 or earlier

- a** Click  or click **Start**, and then click **Run**.
- b** In the Start Search or Run dialog, type **D:\setup.exe**.
- c** Press **Enter** or click **OK**.

Note: D is the letter of your CD or DVD drive.

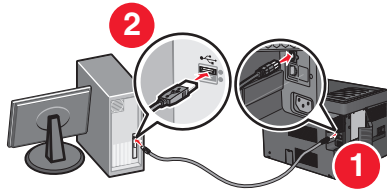
4 Click **Install**, and then follow the instructions on the computer screen.

5 Select **Wireless connection** when asked to choose a connection type.

6 From the Wireless Configuration dialog, select **Guided Setup (Recommended)**.

Note: Choose **Advanced Setup** only if you want to customize your installation.

- 7 Temporarily connect a USB cable between the computer on the wireless network and the printer.



Note: After the printer is configured, the software will instruct you to disconnect the temporary USB cable so you can print wirelessly.

- 8 Follow the instructions on the computer screen.

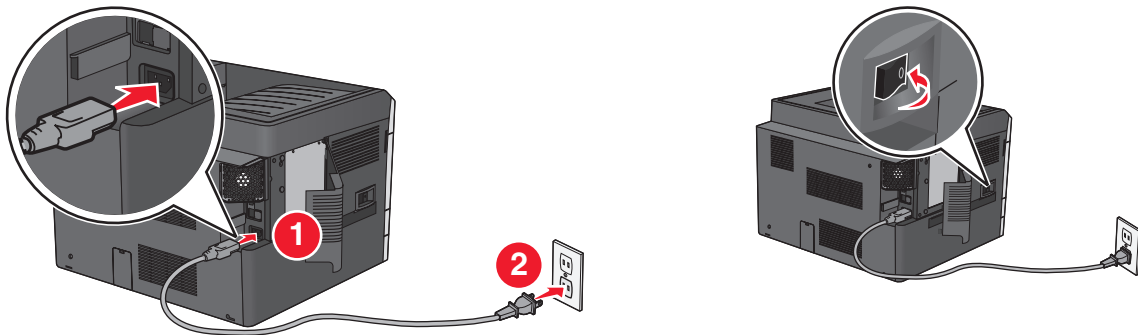
Note: For more information on allowing other computers on the network to use the wireless printer, see the *Networking Guide*.

Installing the printer on a wireless network (Macintosh)

Note: Make sure to disconnect the Ethernet cable when installing the printer on a wireless network.

Prepare to configure the printer

- 1 Connect the power cord to the printer, then to a properly grounded electrical outlet, and then turn on the printer.



- 2 Locate the printer MAC address.

- a From the printer control panel, navigate to:

⌂ > Reports > ✓ > Network Setup Page > ✓

or

☰ > Reports > Network Setup Page

- b In the Standard Network Card section, look for **UAA (MAC)**.

Note: You will need this information later.

Enter the printer information

- 1 Access the AirPort options:

In Mac OS X version 10.5 or later

From the Apple menu, navigate to either of the following:

- **System Preferences > Network > Wi-Fi**
- **System Preferences > Network > AirPort**

In Mac OS X version 10.4

From the Finder, navigate to:

Applications > Internet Connect > AirPort

- 2 From the Network Name pop-up menu, select **print server [yyyyyy]**, where the **y**'s are the last six digits of the MAC address located on the MAC address sheet.
- 3 Open a Web browser.
- 4 From the Bookmarks menu, select **Show** or **Show All Bookmarks**.
- 5 Under COLLECTIONS, select **Bonjour** or **Rendezvous**, and then double-click the printer name.
Note: The application referred to as *Rendezvous* in Mac OS X version 10.2 is now called *Bonjour* by Apple Inc.
- 6 From the Embedded Web Server, navigate to the location of the wireless settings information.

Configure the printer for wireless access

- 1 Type the network name (SSID) in the appropriate field.
- 2 Select **Infrastructure** as your Network Mode setting if you are using an access point (wireless router).
- 3 Select the type of security you want to use to protect the wireless network.
- 4 Enter the security information necessary for the printer to connect to the wireless network.
- 5 Click **Submit**.
- 6 Open the AirPort application on the computer:

In Mac OS X version 10.5 or later

From the Apple menu, navigate to either of the following:

- **System Preferences > Network > Wi-Fi**
- **System Preferences > Network > AirPort**

In Mac OS X version 10.4

From the Finder, navigate to:

Applications > Internet Connect > AirPort

- 7 From the Network pop-up menu, select the name of the wireless network.

Configure your computer to use the printer wirelessly

To print on a network printer, each Macintosh user must install a custom printer driver file and create a print queue in the Printer Setup Utility or Print Center.

1 Install a printer driver file on the computer:

- a Obtain a copy of the software installer package.
 - From the *Software and Documentation* CD that came with your printer.
 - From our Web site:
Go to <http://support.lexmark.com>, and then navigate to:
SUPPORT & DOWNLOAD > select your printer > select your operating system
- b Double-click the installer package for the printer.
- c Follow the instructions on the computer screen.
- d Select a destination, and then click **Continue**.
- e From the Easy Install screen, click **Install**.
- f Type the user password, and then click **OK**.
All necessary applications are installed in the computer.
- g Click **Close** when the installation is complete.

2 Add the printer:

a For IP printing:

In Mac OS X version 10.5 or later

- 1 From the Apple menu, navigate to either of the following:
 - **System Preferences > Print & Scan**
 - **System Preferences > Print & Fax**
- 2 Click **+**.
- 3 If necessary, click **Add Printer or Scanner** or **Add Other Printer or Scanner**.
- 4 Click the **IP** tab.
- 5 Type the IP address of the printer in the address field, and then click **Add**.

In Mac OS X version 10.4

- 1 From the Finder, navigate to:
Applications > Utilities
- 2 Double-click **Printer Setup Utility** or **Print Center**.
- 3 From the Printer List, choose **Add**, and then click **IP Printer**.
- 4 Type the IP address of the printer in the address field, and then click **Add**.

b For AppleTalk printing:

Notes:

- Make sure AppleTalk is activated on your printer.
- This feature is supported only in Mac OS X version 10.5 or earlier.

In Mac OS X version 10.5

- 1 From the Apple menu, navigate to:
System Preferences > Print & Fax
- 2 Click **+**, and then navigate to:
AppleTalk > select the printer from the list > Add

In Mac OS X version 10.4

- 1 From the Finder, navigate to:
Applications > Utilities
- 2 Double-click **Printer Setup Utility** or **Print Center**.
- 3 From the Printer List, click **Add**.
- 4 Click **Default Browser** tab > **More Printers**.
- 5 From the first pop-up menu, select **AppleTalk**.
- 6 From the second pop-up menu, select **Local AppleTalk Zone**.
- 7 Select the printer from the list, and then click **Add**.

Installing the printer on an Ethernet network

Note: Make sure you have completed the initial setup of the printer.

For Windows users

- 1 Obtain a copy of the software installer package.
 - From the *Software and Documentation* CD that came with your printer.
 - From our Web site:
Go to <http://support.lexmark.com>, and then navigate to:
SUPPORT & DOWNLOAD > select your printer > select your operating system

- 2 Double-click the software installer package.

Wait for the installation dialog to appear.


If you are using the *Software and Documentation* CD and the installation dialog does not appear, then do the following:

In Windows 8

From the Search charm, type **run**, and then navigate to:

Apps list > **Run** > type **D:\setup.exe** > **OK**

In Windows 7 or earlier

- a Click  or click **Start**, and then click **Run**.
- b In the Start Search or Run dialog, type **D:\setup.exe**.
- c Press **Enter** or click **OK**.

Note: D is the letter of your CD or DVD drive.

- 3 Click **Install**, and then follow the instructions on the computer screen.

Note: To configure the printer using a static IP address, IPv6, or scripts, select **Advanced Options > Administrator Tools**.

- 4 Select **Ethernet connection**, and then click **Continue**.
- 5 Attach the Ethernet cable when instructed to do so.
- 6 Select the printer from the list, and then click **Continue**.
Note: If the configured printer does not appear in the list, then click **Modify Search**.
- 7 Follow the instructions on the computer screen.

For Macintosh users

- 1 Allow the network DHCP server to assign an IP address to the printer.
 - 2 Obtain the printer IP address either:
 - From the printer control panel
 - From the TCP/IP section in the Network/Ports menu
 - By printing a network setup page or menu settings page, and then finding the TCP/IP section
- Note:** You will need the IP address if you are configuring access for computers on a different subnet than the printer.
- 3 Install the printer driver on the computer.
 - a Double-click the installer package for the printer.
 - b Follow the instructions on the computer screen.
 - c Select a destination, and then click **Continue**.
 - d From the Easy Install screen, click **Install**.
 - e Type the user password, and then click **OK**.
All the necessary applications are installed on the computer.
 - f Click **Close** when the installation is complete.
 - 4 Add the printer.
 - For IP printing:

In Mac OS X version 10.5 or later

- a From the Apple menu, navigate to either of the following:
 - **System Preferences > Print & Scan**
 - **System Preferences > Print & Fax**
- b Click **+**.
- c If necessary, click **Add Printer or Scanner** or **Add Other Printer or Scanner**.
- d Click the **IP** tab.
- e Type the printer IP address in the address field, and then click **Add**.

In Mac OS X version 10.4 or earlier

- a From the Finder, navigate to:
Applications > Utilities
 - b Double-click **Printer Setup Utility** or **Print Center**.
 - c From the printer list, click **Add**, and then click **IP Printer**.
 - d Type the scanner IP address in the address field, and then click **Add**.
- For AppleTalk printing:

Notes:

- Make sure AppleTalk is activated on your printer.
- This feature is supported only in Mac OS X version 10.5 or earlier.

In Mac OS X version 10.5

- From the Apple menu, navigate to:
System Preferences > Print & Fax
- Click **+**, and then navigate to:
AppleTalk > select your printer > Add

In Mac OS X version 10.4 or earlier

- From the Finder, navigate to:
Applications > Utilities
- Double-click **Printer Setup Utility** or **Print Center**.
- From the printer list, click **Add**.
- Click **Default Browser** tab > **More Printers**.
- From the first pop-up menu, select **AppleTalk**.
- From the second pop-up menu, select **Local AppleTalk Zone**.
- Select the device from the list, and then click **Add**.

Note: If the scanner does not show up in the list, then you may need to add it using the IP address. For more information, contact your system support person.

Changing port settings after installing a new network Internal Solutions Port

When a new Lexmark Internal Solutions Port (ISP) is installed in the printer, the printer configurations on computers that access the printer must be updated since the printer will be assigned a new IP address. All computers that access the printer must be updated with this new IP address.

Notes:

- If the printer has a static IP address, then you do not need to make any changes to the computer configurations.
- If the computers are configured to use the network name, instead of an IP address, then you do not need to make any changes to your computer configurations.
- If you are adding a wireless ISP to a printer previously configured for an Ethernet connection, then make sure the printer is disconnected from the Ethernet network when you configure the printer to operate wirelessly. If the printer is connected to the Ethernet network, then the wireless configuration completes, but the wireless ISP is inactive. To activate the wireless ISP, disconnect the printer from the Ethernet network, turn off the printer, and then turn it back on.
- Only one network connection is active at a time. To switch between Ethernet and wireless connection types, turn off the printer, connect the cable (to switch to an Ethernet connection) or disconnect the cable (to switch to a wireless connection), and then turn the printer back on.

For Windows users

- 1 Open a Web browser, and then type the printer IP address in the address field.

Notes:

- View the printer IP address on the printer control panel. The IP address appears as four sets of numbers separated by periods, such as 123.123.123.123.
- If you are using a proxy server, then temporarily disable it to load the Web page correctly.

2 Open the printers folder.

In Windows 8

From the Search charm, type **Run** and then navigate to:

Apps list > **Run** > type **control printers** > **OK**

In Windows 7 or earlier

a Click , or click **Start** and then click **Run**.

b In the Start Search or Run dialog, type **control printers**.

c Press **Enter**, or click **OK**.

3 To select the printer that has changed, do either of the following:

- Press and hold the printer, and then select **Printer properties**.
- Right-click the printer, and then select **Printer properties** (Windows 7 or later) or **Properties** (earlier versions).

Note: If there is more than one copy of the printer, then update all of them with the new IP address.

4 Click the **Ports** tab.

5 Select the port from the list, and then click **Configure Port**.

6 Type the new IP address in the “Printer Name or IP Address” field.

7 Click **OK** > **Close**.

For Macintosh users

1 Open a Web browser, and then type the printer IP address in the address field.

Notes:

- View the printer IP address on the printer control panel. The IP address appears as four sets of numbers separated by periods, such as 123.123.123.123.
- If you are using a proxy server, then temporarily disable it to load the Web page correctly.

2 Add the printer.

- For IP printing:
 - a** From the Apple menu, navigate to either of the following:
 - **System Preferences** > **Print & Scan**
 - **System Preferences** > **Print & Fax**
 - b** Click **+**.
 - c** Click the **IP** tab.
 - d** Type the printer IP address in the address field, and then click **Add**.
- For AppleTalk printing:

Notes:

- Make sure AppleTalk is activated on your printer.
- This feature is supported only in Mac OS X version 10.5.
- a** From the Apple menu, navigate to:
System Preferences > Print & Fax
- b** Click **+**, and then navigate to:
AppleTalk > select the printer > Add

Setting up serial printing

Use serial printing to print when the computer is far from the printer or to print at a reduced speed.


After installing the serial or communication (COM) port, configure the printer and the computer. Make sure you have connected the serial cable to the COM port on your printer.

- 1** Set the parameters in the printer.
 - a** From the printer control panel, navigate to the menu for the port settings.
 - b** Locate the menu for the serial port settings, and then adjust the settings, if necessary.
 - c** Save the modified settings, and then print a menu settings page.
- 2** Install the printer driver.
 - a** Obtain a copy of the software installer package.
 - From the *Software and Documentation* CD that came with your printer
 - From our Web site:
Go to <http://support.lexmark.com>, and then navigate to:
SUPPORT & DOWNLOAD > select your printer > select your operating system
 - b** Double-click the software installer package.
Wait for the installation dialog to appear.
If you are using the *Software and Documentation* CD and the installation dialog does not appear, then do the following:

In Windows 8

From the Search charm type **run**, and then navigate to:
Apps list > **Run** > type **D:\setup.exe** > **OK**

In Windows 7 or earlier

- 1** Click  or click **Start**, and then click **Run**.
- 2** In the Start Search or Run dialog, type **D:\setup.exe**.
- 3** Press **Enter** or click **OK**.

Note: **D** is the letter of your CD or DVD drive.

- c** Click **Install**.
- d** Follow the instructions on the computer screen.
- e** Select **Advanced**, and then click **Continue**.
- f** From the Configure Printer Connection dialog, select a port.

- g** If the port is not in the list, then click **Refresh**, or navigate to:
Add port > select a port type > enter the necessary information > **OK**
- h** Click **Continue** > **Finish**.

3 Set the COM port parameters.

After installing the printer driver, set the serial parameters in the COM port assigned to the printer driver.

Note: Make sure the serial parameters in the COM port match the serial parameters you set in the printer.


- a** Open Device Manager.

In Windows 8

From the Search charm, type **run** and then navigate to:

Apps list > **Run** > type **devmgmt.msc** > **OK**

In Windows 7 or earlier

- 1** Click  or click **Start**, and then click **Run**.
 - 2** In the Start Search or Run dialog, type **devmgmt.msc**.
 - 3** Press **Enter** or click **OK**.
- b** Double-click **Ports (COM & LPT)** to expand the list of available ports.
 - c** Do either of the following:
 - Press and hold the COM port where you attached the serial cable to your computer (example: COM1).
 - Right-click the COM port where you attached the serial cable to your computer (example: COM1).
 - d** From the menu that appears, select **Properties**.
 - e** On the Port Settings tab, set the serial parameters to the same serial parameters set in the printer.
Check the serial heading of the menu settings page for the printer settings.
 - f** Click **OK**, and then close all the dialogs.
 - g** Print a test page to verify printer installation.

Minimizing your printer's environmental impact

Lexmark is committed to environmental sustainability and is continually improving its printers to reduce their impact on the environment. We design with the environment in mind, engineer our packaging to reduce materials, and provide collection and recycling programs. For more information, see:

- The Notices chapter
- The Environmental Sustainability section of the Lexmark Web site at www.lexmark.com/environment
- The Lexmark recycling program at www.lexmark.com/recycle

By selecting certain printer settings or tasks, you may be able to reduce your printer's impact even further. This chapter outlines the settings and tasks that may yield a greater environmental benefit.

Saving paper and toner

Studies show that as much as 80% of the carbon footprint of a printer is related to paper usage. You can significantly reduce your carbon footprint by using recycled paper and the following printing suggestions, such as printing on both sides of the paper and printing multiple pages on one side of a single sheet of paper.

For information on how you can quickly save paper and energy using one printer setting, see “Using Eco-Mode” on page 65.

Using recycled paper

As an environmentally conscious company, Lexmark supports the use of recycled office paper produced specifically for use in laser/LED printers. For more information on recycled papers that work well with your printer, see “Using recycled paper and other office papers” on page 79.

Conserving supplies

Use both sides of the paper

If your printer model supports duplex printing, you can control whether print appears on one or two sides of the paper by selecting **2-sided printing** from the Print dialog or from the Lexmark Toolbar.

Place multiple pages on one sheet of paper

You can print up to 16 consecutive pages of a multiple-page document onto one side of a single sheet of paper by selecting a setting from the Multipage printing (N-Up) section of the Print dialog screen.

Check your first draft for accuracy

Before printing or making multiple copies of a document:

- Use the preview feature, which you can select from the Print dialog or from the Lexmark Toolbar to see how the document will look like before you print it.
- Print one copy of the document to check its content and format for accuracy.

Avoid paper jams

Correctly set the paper type and size to avoid paper jams. For more information, see “Avoiding jams” on page 165.

Print in black and white

To print all text and graphics using only the black toner cartridge, set the printer to Black Only. For more information, see “Printing in black and white” on page 84.

Use Max Speed or Max Yield settings

The Max Speed and Max Yield settings let you choose between a faster print speed or a higher toner yield. Max Yield is the factory default setting. For more information, see “Using Max Speed and Max Yield” on page 90.

Saving energy

Using Eco-Mode

1 Type the printer IP address into the address field of your Web browser.

If you do not know the IP address of the printer, you can:

- View the IP address on the printer control panel in the TCP/IP section under the Networks/Ports menu.
- Print a network setup page or the menu settings pages and locate the IP address in the TCP/IP section.

2 Click **Settings > General Settings > Eco-Mode > select a setting > Submit.**

Choose	To
Off	Use factory default settings for all settings associated with Eco-Mode. This setting supports the performance specifications of your printer.
Energy	Reduce energy use, especially when the printer is idle. <ul style="list-style-type: none"> • Printer engine motors do not start until it is ready to print. You may notice a short delay before the first page is printed. • The printer enters Sleep mode after one minute of inactivity. • When the printer enters Sleep mode, the printer control panel display and the standard exit bin lights are turned off. • If scanning is supported, the scanner lamps are activated only when a scan job is started.
Energy/Paper	Use all the settings associated with Energy mode and Paper mode.
Paper	<ul style="list-style-type: none"> • Enable the automatic duplex feature. • Turn off print log features.

Reducing printer noise

To select a Quiet Mode setting using the Embedded Web Server:

1 Type the printer IP address into the address field of your Web browser.

If you do not know the IP address of the printer, you can:

- View the IP address on the printer control panel in the TCP/IP section under the Networks/Ports menu.
- Print a network setup page or the menu settings pages and locate the IP address in the TCP/IP section.

2 Click **Settings > General Settings > Quiet Mode > select a setting > Submit.**

Choose	To
Off Note: Selecting Photo from the driver may disable Quiet Mode and provide better print quality and full speed printing.	Use factory default settings. This setting supports the performance specifications of your printer.
On	Reduce printer noise. <ul style="list-style-type: none"> • Print jobs will process at a reduced speed. • Printer engine motors do not start until a document is ready to print. There will be a short delay before the first page is printed. • If your printer has faxing capability, fax sounds are reduced or disabled, including those made by the fax speaker and ringer. The fax is placed in standby mode. • The alarm control and cartridge alarm sounds are turned off. • The printer will ignore the Advance Start command.

Adjusting Sleep Mode

To save energy, you can decrease the number of minutes before the printer enters Sleep Mode.

Available settings range from 1–240 minutes. The factory default setting is 5 minutes.

Using the Embedded Web Server

1 Type the printer IP address into the address field of your Web browser.

If you do not know the IP address of the printer, you can:

- View the IP address on the printer control panel in the TCP/IP section under the Networks/Ports menu.
- Print a network setup page or the menu settings pages and locate the IP address in the TCP/IP section.

2 Click **Settings > General Settings > Timeouts.**

3 In the Sleep Mode field, enter the number of minutes you want the printer to wait before it enters Sleep Mode.

4 Click **Submit.**

Using the printer control panel

1 From the home screen, navigate to:

 > **Settings > General Settings > Timeouts > Sleep Mode**

2 In the Sleep Mode field, select the number of minutes you want the printer to wait before it enters Sleep Mode.

3 Touch .

Using Hibernate Mode

Hibernate is an ultra-low power operating mode. When operating in Hibernate mode, all other systems and devices are powered down safely.

Using the Embedded Web Server

- 1 Type the printer IP address into the address field of your Web browser.

If you do not know the IP address of the printer, you can:


- View the IP address on the printer control panel in the TCP/IP section under the Networks/Ports menu.
- Print a network setup page or the menu settings pages and locate the IP address in the TCP/IP section.

- 2 Click **Settings > General Settings > Sleep Button Settings**.
- 3 From the Press Sleep Button or Press and Hold Sleep Button drop-down, select **Hibernate**.
- 4 Click **Submit**.

Using the printer control panel

- 1 From the home screen, navigate to:

 > **Settings > General Settings > Press Sleep Button or Press and Hold Sleep Button > Hibernate**

- 2 Touch .

Adjusting the brightness of the display

To save energy, or if you are have trouble reading your display, adjust the brightness of the display.

Available settings range from 20–100. The factory default setting is 100.

Using the Embedded Web Server

- 1 Type the printer IP address into the address field of your Web browser.

If you do not know the IP address of the printer, you can:


- View the IP address on the printer control panel in the TCP/IP section under the Networks/Ports menu.
- Print a network setup page or the menu settings pages and locate the IP address in the TCP/IP section.

- 2 Click **Settings > General Settings**.
- 3 In the Screen Brightness field, enter the brightness percentage you want for the display.
- 4 Click **Submit**.

Using the printer control panel

- 1 From the home screen, navigate to:

 > **Settings > General Settings**

- 2 Touch the down arrow until **Screen Brightness** appears, and then select a setting.
- 3 Touch .

Recycling

Lexmark provides collection programs and environmentally progressive approaches to recycling. For more information, see:

- The Notices chapter
- The Environmental Sustainability section of the Lexmark Web site at www.lexmark.com/environment
- The Lexmark recycling program at www.lexmark.com/recycle

Recycling Lexmark products

To return Lexmark products for recycling:

- 1 Go to www.lexmark.com/recycle.
- 2 Find the product type you want to recycle, and then select your country or region from the list.
- 3 Follow the instructions on the computer screen.

Note: Printer supplies and hardware not listed in the Lexmark collection program may be recycled through your local recycling center. Contact your local recycling center to determine the items they accept.

Recycling Lexmark packaging

Lexmark continually strives to minimize packaging. Less packaging helps to ensure that Lexmark printers are transported in the most efficient and environmentally sensitive manner and that there is less packaging to dispose of. These efficiencies result in fewer greenhouse emissions, energy savings, and natural resource savings.

Lexmark cartons are 100% recyclable where corrugated recycling facilities exist. Facilities may not exist in your area.

The foam used in Lexmark packaging is recyclable where foam recycling facilities exist. Facilities may not exist in your area.

When you return a cartridge to Lexmark, you can reuse the box that the cartridge came in. Lexmark will recycle the box.

Returning Lexmark cartridges for reuse or recycling

Lexmark Cartridge Collection Program diverts millions of Lexmark cartridges from landfills annually by making it both easy and free for Lexmark customers to return used cartridges to Lexmark for reuse or recycling. One hundred percent of the empty cartridges returned to Lexmark are either reused or demanufactured for recycling. Boxes used to return the cartridges are also recycled.

To return Lexmark cartridges for reuse or recycling, follow the instructions that came with your printer or cartridge and use the prepaid shipping label. You can also do the following:



- 1 Go to www.lexmark.com/recycle.
- 2 From the Toner Cartridges section, select your country or region.
- 3 Follow the instructions on the computer screen.

Loading paper and specialty media

Setting the paper size and type

The Paper Size setting is automatically sensed according to the position of the paper guides in each tray except in the standard 150-sheet tray (Tray 1) and in the multipurpose feeder. The Paper Size setting for Tray 1 is set manually via the wheel on the tray, while the Paper Size setting for the multipurpose feeder is set in the Paper Size menu.


From the home screen, navigate to:

 > **Paper Menu** > **Paper Size/Type** > select a tray > select the paper size or type > 

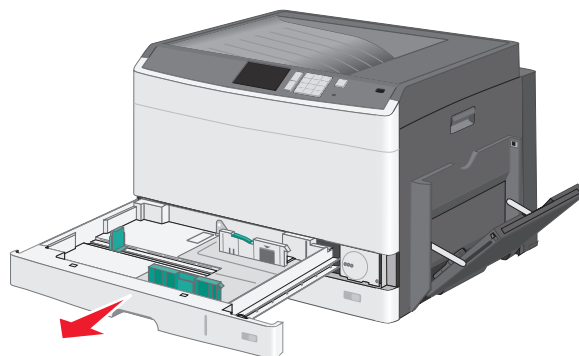
Only Tray 1 has Plain Paper as the factory default Paper Type setting. Custom 2, 3, 4, 5, and 6 are the default settings for the other trays.

Loading the standard or optional 550-sheet tray

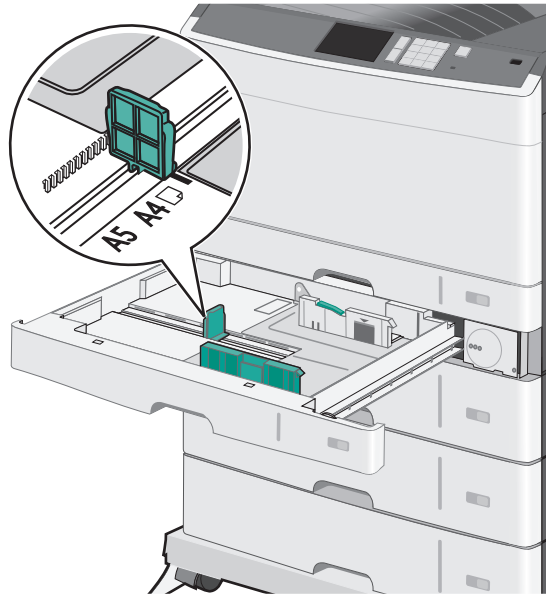
The printer has a standard 150-sheet (Tray 1) and 250-sheet tray (Tray 2), and it may have one or more optional 550-sheet trays. All 550-sheet trays support the same paper sizes and types.

 **CAUTION—POTENTIAL INJURY:** To reduce the risk of equipment instability, load each paper drawer or tray separately. Keep all other drawers or trays closed until needed.

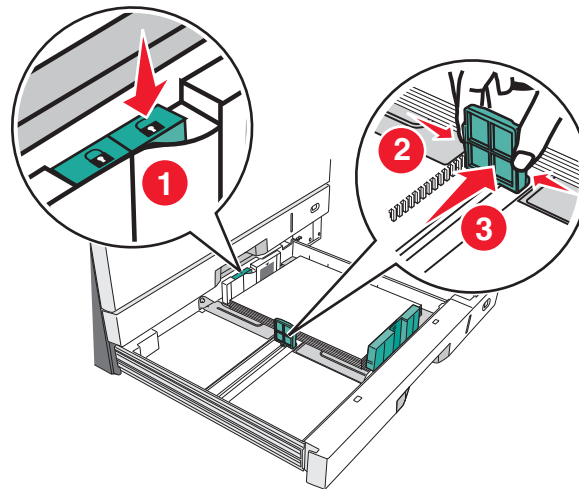
- 1 Pull the tray out.



Notice the size indicators at the bottom of the tray. Use these indicators to help position the guides.

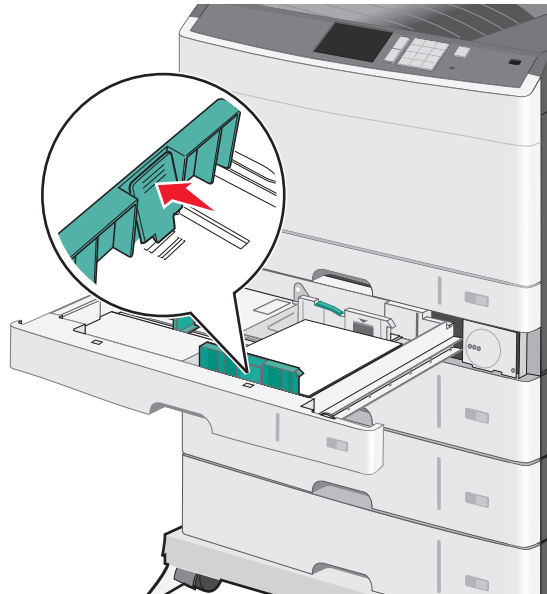


- 2 Make sure to release the width guide lock at the rear of the tray. Squeeze and then slide the width guide to the correct position for the paper size you are loading.

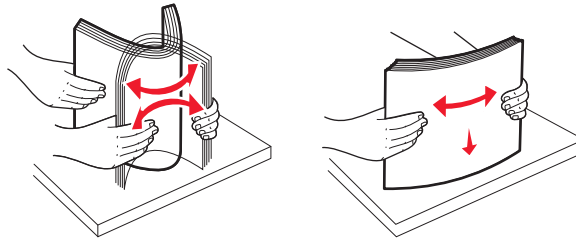


Note: Always use the width guide lock at the rear of the tray to prevent the margins from being knocked out of adjustment.

- 3 Squeeze and then slide the length guide to the correct position for the paper size you are loading.



- 4 Flex the sheets back and forth to loosen them. Do not fold or crease the paper. Straighten the edges on a level surface.

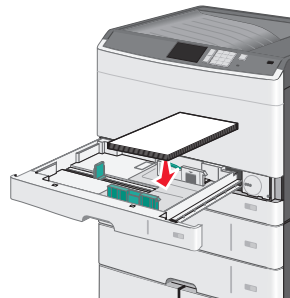


- 5 Load the paper stack with the recommended print side faceup.

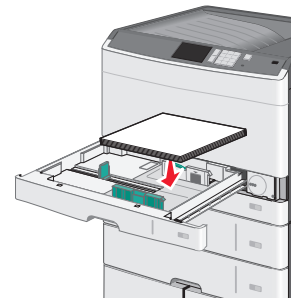
Notes:

- If the paper is longer than A4, then load it in short-edge orientation.
- If the paper is shorter than A4, then load it in long-edge orientation.
- Make sure the paper is below the maximum fill line located on the edge of the paper tray. Overloading the tray can cause paper jams and possible printer damage.

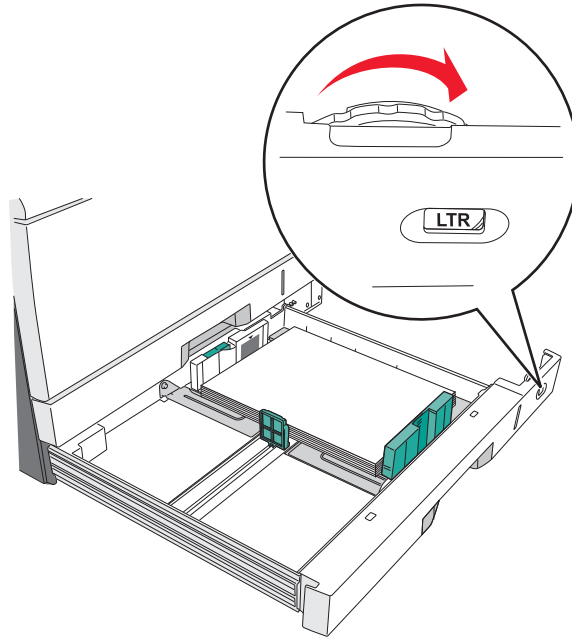
Long-edge orientation



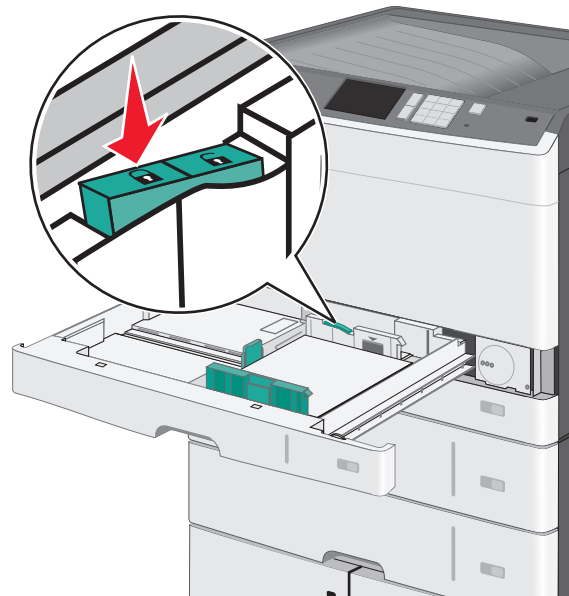
Short-edge orientation



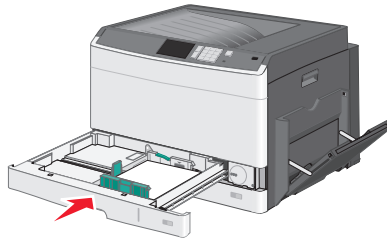
- 6 Adjust both the width and length guides to lightly touch the edge of the paper stack. Make sure the paper fits loosely in the tray, lies flat, and is not bent or wrinkled.
- 7 Turn the wheel clockwise to set the paper size.



- 8 Lock the width guide.



9 Insert the tray.



10 From the printer control panel, verify the Paper Size and Paper Type for the tray based on the paper you loaded.

Loading the multipurpose feeder

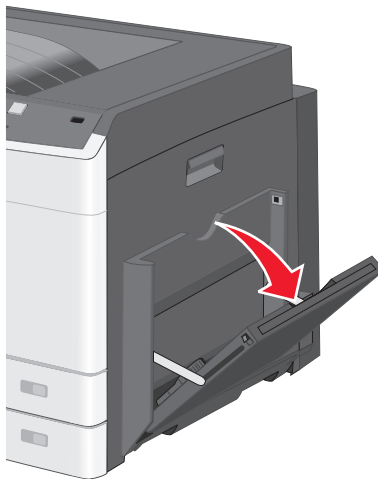
The multipurpose feeder can hold several sizes and types of print media, such as transparencies, labels, card stock, and envelopes. It can be used for single-page or manual printing, or as an additional tray.

The multipurpose feeder can hold approximately:

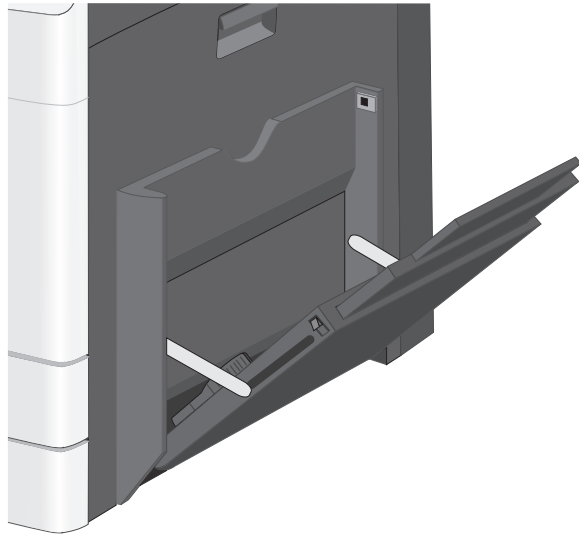
- 50 sheets of 75-g/m² (20-lb) paper
- 10 envelopes
- 20 transparencies

Note: Do not add or remove paper or specialty media when the printer is printing from the multipurpose feeder or when the printer control panel indicator light is blinking. Doing so may cause a jam.

1 Pull down the multipurpose feeder door.

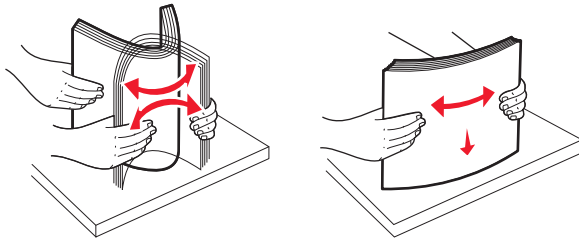


- 2 Gently pull the extension until it is fully extended.

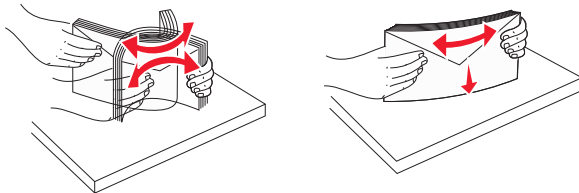


- 3 Flex the sheets of paper or specialty media back and forth to loosen them. Do not fold or crease them. Straighten the edges on a level surface.

Paper

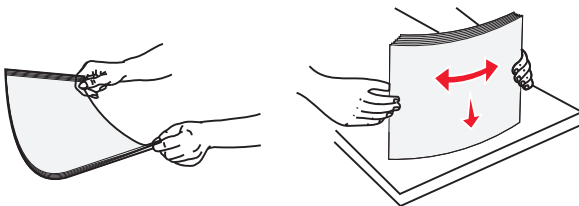


Envelopes



Transparencies

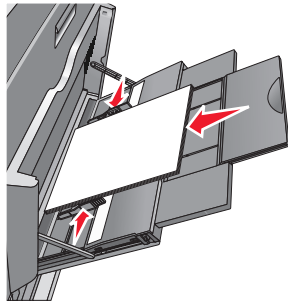
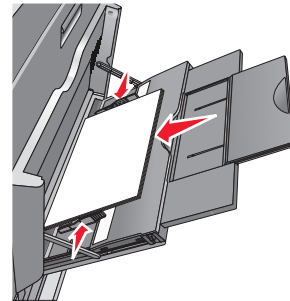
Note: Avoid scratching or touching the print side.



- 4 Load the paper or specialty media. Slide the stack gently into the multipurpose feeder until it comes to a stop.

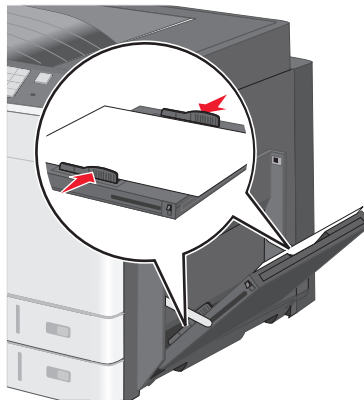
Notes:

- Load A3-, A6-, 11x17, JIS B4-, Statement- and legal-size media in short-edge orientation.
- Load A4-, A5-, Exec-, JIS B5- and letter-size media in long-edge orientation.
- Load envelopes flap side up in short-edge orientation.
- Do not exceed the maximum amount of media that the multipurpose feeder can hold.
- Load only one size and type of paper at a time.

Long-edge orientation**Short-edge orientation**

Warning—Potential Damage: Never use envelopes with stamps, clasps, snaps, windows, coated linings, or self-stick adhesives. These envelopes may severely damage the printer.

- 5 Adjust the width guide to lightly touch the edge of the stack. Make sure the paper or specialty media fits loosely in the multipurpose feeder, lies flat, and is not bent or wrinkled.



- 6 From the printer control panel, set the Paper Size and Paper Type for the multipurpose feeder (MP Feeder Size and MP Feeder Type) based on the paper or specialty media loaded.

Linking and unlinking trays

Linking trays

Tray linking is useful for large print jobs or for printing multiple copies. When one linked tray is empty, paper feeds from the next linked tray. When the Paper Size and Paper Type settings are the same for any trays, the trays are automatically linked. The Paper Size setting is automatically sensed according to the position of the paper guides in each tray except Tray 1 and the multipurpose feeder. The Paper Size setting for the multipurpose feeder must be set manually from the Paper Size menu. The Paper Type setting must be set for all trays from the Paper Type menu. The Paper Type menu and the Paper Size menu are both available from the Paper Size/Type menu.

Unlinking trays

Note: Trays that do not have the same settings as any other tray are not linked.

Change one of the following tray settings:

- Paper Type
Paper Type names describe the paper characteristics. If the name that best describes your paper is used by linked trays, assign a different Paper Type name to the tray, such as Custom Type [x], or define your own custom name.
- Paper Size
Load a different paper size to automatically change the Paper Size setting for a tray. Paper Size settings for the multipurpose feeder are not automatic; they must be set manually from the Paper Size menu.

Warning—Potential Damage: Do not assign a Paper Type name that does not accurately describe the type of paper loaded in a tray. The temperature of the fuser varies according to the specified Paper Type. Prints may not be properly processed if an inaccurate Paper Type is selected.

Creating a custom name for a paper type

If the printer is on a network, you can use the Embedded Web Server to define a name other than Custom Type [x] for each of the custom paper types loaded into the printer.

- 1 Type the printer IP address into the address field of your Web browser.

Note: If you do not know the IP address of the printer, then you can:

- View the IP address on the printer control panel in the TCP/IP section under the Networks/Ports menu.
- Print a network setup page or the menu settings pages and locate the IP address in the TCP/IP section.


- 2 Click **Settings > Paper Menu > Custom Name > type a name > Submit.**

Note: This custom name will replace the Custom Type [x] name under the Custom Types and Paper Size and Type menus.

- 3 Click **Custom Types > select a paper type > Submit.**


Assigning a custom paper type name

1 From the home screen, navigate to:

 > **Paper Menu** > **Paper Size/Type**

2 Select the tray number or MP Feeder Type.

3 Touch the left or right arrow until **Custom Type [x]** or another custom name appears.

4 Touch .

Configuring a custom name

If the printer is on a network, then you can use the Embedded Web Server to define a name other than Custom Type [x] for each of the custom paper types loaded into the printer.

1 Type the printer IP address in the address field of your Web browser.

Note: If you do not know the IP address of the printer, then you can:

- View the IP address on the printer control panel in the TCP/IP section under the Networks/Ports menu.
- Print a network setup page or the menu settings pages and locate the IP address in the TCP/IP section.

2 Click **Settings** > **Paper Menu** > **Custom Types** > select the custom name you want to configure > select a paper or specialty media type > **Submit**.

Paper and specialty media guide

Paper guidelines

Paper characteristics

The following paper characteristics affect print quality and reliability. Consider these factors before printing on them:

Weight

The printer trays and multipurpose feeder can automatically feed paper weights between 60–176 g/m² (16–47-lb) grain long paper. The 2100-sheet tray can automatically feed paper weights up to 60–135 g/m² (16–36-lb) grain long paper. Paper lighter than 60 g/m² (16 lb) might not be stiff enough to feed properly, and may cause jams.

Note: Two-sided printing is supported for 60–176 g/m² (16–47-lb) paper.

Curl

Curl is the tendency for paper to curl at its edges. Excessive curl can cause paper feeding problems. Curl can occur after the paper passes through the printer, where it is exposed to high temperatures. Storing paper unwrapped in hot, humid, cold, or dry conditions, even in the trays, can contribute to paper curling prior to printing and can cause feeding problems.

Smoothness

Paper smoothness directly affects print quality. If paper is too rough, toner cannot fuse to it properly. If paper is too smooth, it can cause paper feeding or print quality issues. Always use paper between 100 and 300 Sheffield points; smoothness between 150 and 250 Sheffield points produces the best print quality.

Moisture content

The amount of moisture in paper affects both print quality and the ability of the printer to feed the paper correctly. Leave paper in its original wrapper until it is time to use it. This limits the exposure of paper to moisture changes that can degrade its performance.

Store paper in its original wrapper in the same environment as the printer for 24 to 48 hours before printing. Extend the time several days if the storage or transportation environment is very different from the printer environment. Thick paper may also require a longer conditioning period.

Grain direction

Grain refers to the alignment of the paper fibers in a sheet of paper. Grain is either *grain long*, running the length of the paper, or *grain short*, running the width of the paper.

For 60–176 g/m² (16–47-lb) paper, grain long paper is recommended.

Fiber content

Most high-quality xerographic paper is made from 100% chemically treated pulped wood. This content provides the paper with a high degree of stability, resulting in fewer paper feeding problems and better print quality. Paper containing fibers such as cotton can negatively affect paper handling.

Unacceptable paper

The following paper types are not recommended for use with the printer:

- Chemically treated papers used to make copies without carbon paper, also known as carbonless papers, carbonless copy paper (CCP), or no carbon required (NCR) paper
- Preprinted papers with chemicals that may contaminate the printer
- Preprinted papers that can be affected by the temperature in the printer fuser
- Preprinted papers that require a registration (the precise print location on the page) greater than ± 2.3 mm (± 0.9 in.), such as optical character recognition (OCR) forms

In some cases, registration can be adjusted with a software application to successfully print on these forms.

- Coated papers (erasable bond), synthetic papers, thermal papers
- Rough-edged, rough or heavily textured surface papers, or curled papers
- Recycled papers that fail EN12281:2002 (European)
- Paper weighing less than 60 g/m^2 (16 lb)
- Multiple-part forms or documents

Selecting paper

Using the appropriate paper prevents jams and helps ensure trouble-free printing.

To help avoid paper jams and poor print quality:

- *Always* use new, undamaged paper.
- Before loading paper, know the recommended printable side of the paper. This information is usually indicated on the paper package.
- *Do not* use paper that has been cut or trimmed by hand.
- *Do not* mix paper sizes, types, or weights in the same tray; mixing results in jams.
- *Do not* use coated papers unless they are specifically designed for electrophotographic printing.

Selecting preprinted forms and letterhead

- Use grain long for $60\text{--}90\text{-g/m}^2$ (16–24-lb) paper.
- Use only forms and letterhead printed using an offset lithographic or engraved printing process.
- Avoid paper with rough or heavily textured surfaces.
- Use inks that are not affected by the resin in toner. Inks that are oxidation-set or oil-based generally meet these requirements; latex inks might not.
- Print samples on preprinted forms and letterheads considered for use before buying large quantities. This determines whether or not the ink in the preprinted form or letterhead will affect print quality.
- When in doubt, contact your paper supplier.

Using recycled paper and other office papers

As an environmentally conscious company, Lexmark supports the use of recycled office paper produced specifically for use in laser and LED (electrophotographic) printers. In 1998, Lexmark presented to the US government a study demonstrating that recycled paper produced by major mills in the US fed as well as non-recycled paper. However, no blanket statement can be made that *all* recycled paper will feed well.

Lexmark consistently tests its printers with recycled paper (20–100% post-consumer waste) and a variety of test paper from around the world, using chamber tests for different temperature and humidity conditions. Lexmark has found no reason to discourage the use of today's recycled office papers, but generally the following property guidelines apply to recycled paper.

- Low moisture content (4–5%)
- Suitable smoothness (100–200 Sheffield units, or 140–350 Bendtsen units, European)

Note: Some much smoother papers (such as premium 24 lb laser and LED papers, 50–90 Sheffield units) and much rougher papers (such as premium cotton papers, 200–300 Sheffield units) have been engineered to work very well in laser and LED printers, despite surface texture. Before using these types of paper, consult your paper supplier.

- Suitable sheet-to-sheet coefficient of friction (0.4–0.6)
- Sufficient bending resistance in the direction of feed

Recycled paper, paper of lower weight (<60 g/m² [16 lb bond]) and/or lower caliper (<3.8 mils [0.1 mm]), and paper that is cut grain-short for portrait (or short-edge) fed printers may have lower bending resistance than is required for reliable paper feeding. Before using these types of paper for laser or LED (electrophotographic) printing, consult your paper supplier. Remember that these are general guidelines only and that paper meeting these guidelines may still cause paper feeding problems in any laser or LED printer (for example, if the paper curls excessively under normal printing conditions).

Storing paper

Use these paper storage guidelines to help avoid jams and uneven print quality:

- For best results, store paper where the temperature is 21°C (70°F) and the relative humidity is 40 percent. Most label manufacturers recommend printing in a temperature range of 18–24°C (65–75°F) with relative humidity between 40 and 60 percent.
- Store paper in cartons, on a pallet or shelf, rather than on the floor.
- Store individual packages on a flat surface.
- Do not store anything on top of individual paper packages.
- Take paper out of the carton or wrapper only when you are ready to load it in the printer. The carton and wrapper help keep the paper clean, dry, and flat.

Supported paper sizes, types, and weights

The following tables provide information on standard and optional paper sources and the types of paper they support.

Note: To use a paper size that is unlisted, configure a Universal Paper Size.

For more information, see the *Card Stock & Label Guide* available on the Lexmark Web site at <http://support.lexmark.com>.

Supported paper sizes

Paper size and Dimension	150-sheet tray	250-sheet tray	550-sheet tray	MP Feeder	Manual Paper	Manual Envelope	Duplex
A4 210 x 297 mm (8.27 x 11.7 in.)	✓	✓ ¹	✓ ¹	✓	✓	X	✓
A5 148 x 210 mm (5.83 x 8.27 in.)	X	✓ ¹	✓ ¹	✓	✓	X	✓
A6 105 x 148 mm (4.13 x 5.83 in.)	X	X	X	✓	✓	X	X
JIS B5 182 x 257 mm (7.17 x 10.1 in.)	X	✓	✓	✓	✓	X	✓
Letter 216 x 279 mm (8.5 x 11 in.)	✓	✓ ²	✓ ²	✓	✓	X	✓
Legal 216 x 356 mm (8.5 x 14 in.)	✓	✓	✓	✓	✓	X	✓
Executive 184 x 267 mm (7.25 x 10.5 in.)	X	X	X	✓	✓	X	✓
JIS B4 257 x 364 mm (10.12 x 14.33 in.)	✓	✓	✓	✓	✓	X	✓
A3 297 x 420 mm (11.69 x 16.54 in.)	✓	✓	✓	✓	✓	X	✓

¹ Paper size is supported if printer is set to metric.

² Paper size is supported if printer is set to US.

³ Maximum length is 1219 mm (48 in.)

Paper size and Dimension	150-sheet tray	250-sheet tray	550-sheet tray	MP Feeder	Manual Paper	Manual Envelope	Duplex
11x17 279 x 432 mm (11 x 17 in.)	✓	✓ ²	✓ ²	✓	✓	X	✓
Oficio (México) 216 x 340 mm (8.5 x 13.4 in.)	X	X	X	✓	✓	X	✓
Folio 216 x 330 mm (8.5 x 13 in.)	X	X	X	✓	✓	X	✓
Statement 140 x 216 mm (5.5 x 8.5 in.)	X	X	X	✓	✓	X	X
Universal 64-297 mm x 148-432 mm (2.52-11.69 x 5.83-17.0 1 in.)	✓	X	X	✓ ³	✓	X	✓
7 3/4 Envelope (Monarch) 98 x 191 mm (3.875 x 7.5 in.)	X	X	X	✓	X	✓	X
9 Envelope 98 x 226 mm (3.875 x 8.9 in.)	X	X	X	✓	X	✓	X
Com 10 Envelope 105 x 241 mm (4.12 x 9.5 in.)	X	X	X	✓	X	✓	X
DL Envelope 110 x 220 mm (4.33 x 8.66 in.)	X	X	X	✓	X	✓	X
C5 Envelope 162 x 229 mm (6.38 x 9.01 in.)	X	X	X	✓	X	✓	X
B5 Envelope 176 x 250 mm (6.93 x 9.84 in.)	X	X	X	✓	X	✓	X
<p>¹ Paper size is supported if printer is set to metric.</p> <p>² Paper size is supported if printer is set to US.</p> <p>³ Maximum length is 1219 mm (48 in.)</p>							

Paper size and Dimension	150-sheet tray	250-sheet tray	550-sheet tray	MP Feeder	Manual Paper	Manual Envelope	Duplex
Other Envelope 86 x 165 mm to 216 x 356 mm (3.375 x 6.50 in. to 8.5 x 14 in.)	X	X	X	✓	X	✓	X
¹ Paper size is supported if printer is set to metric. ² Paper size is supported if printer is set to US. ³ Maximum length is 1219 mm (48 in.)							

Supported paper types and weights

The printer engine supports 60–256 g/m² (16–100 lb) paper weights. The duplex unit supports 64–128 g/m² (17–34 lb) paper weights.

Note: Labels, transparencies, envelopes, and card stock always print at reduced speed.

Paper type	150-sheet tray	250-sheet tray	550-sheet tray	MP Feeder	Manual Paper	Manual Envelope	Duplex
Paper <ul style="list-style-type: none"> • Plain • Bond • Glossy • Heavy Glossy • Colored • Custom Type [x] • Letterhead • Light • Heavy • Preprinted • Recycled 	✓	✓	✓	✓	✓	X	✓
Card stock	✓	X	X	✓	✓	X	X
Transparencies	✓	X	X	✓	✓	X	X
Labels <ul style="list-style-type: none"> • Paper • Vinyl 	✓	X	X	✓	X	X	X
Envelopes	X	X	X	✓	X	✓	X

Printing

Printing a document

Printing a document

- 1 From the printer control panel, set the paper type and size to match the paper loaded.
- 2 Send the print job:

For Windows users

- a With a document open, click **File > Print**.
- b Click **Properties, Preferences, Options, or Setup**.
- c Adjust the settings, if necessary.
- d Click **OK > Print**.

For Macintosh users

- a Customize the settings in the Page Setup dialog:
 - 1 With a document open, choose **File > Page Setup**.
 - 2 Choose a paper size or create a custom size to match the paper loaded.
 - 3 Click **OK**.
- b Customize the settings in the Print dialog:
 - 1 With a document open, choose **File > Print**.
If necessary, click the disclosure triangle to see more options.
 - 2 From the print options pop-up menus, adjust the settings, if necessary.
Note: To print on a specific paper type, adjust the paper type setting to match the paper loaded, or select the appropriate tray or feeder.
 - 3 Click **Print**.

Printing in black and white

From the home screen, navigate to:

 > **Settings > Print Settings > Quality Menu > Print Mode > Black Only >** 

Adjusting toner darkness

- 1 Type the printer IP address into the address field of your Web browser.
If you do not know the IP address of the printer, you can:
 - View the IP address on the printer control panel in the TCP/IP section under the Networks/Ports menu.
 - Print a network setup page or the menu settings pages and locate the IP address in the TCP/IP section.
- 2 Click **Settings > Print Settings > Quality Menu > Toner Darkness**.

- 3 Adjust the toner darkness setting.
- 4 Click **Submit**.

Printing from a mobile device

For the list of supported mobile devices and to download a compatible mobile printing application, visit <http://lexmark.com/mobile>.

Note: Mobile printing applications may also be available from your mobile device manufacturer.

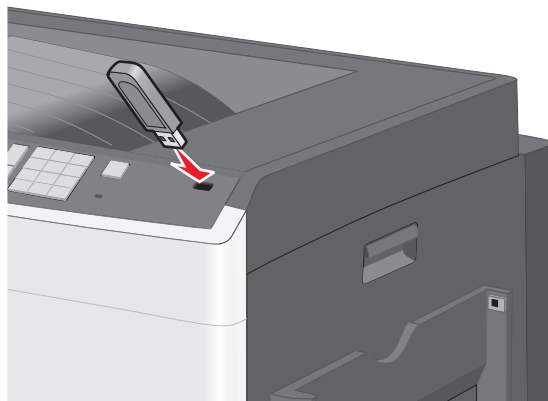
Printing from a flash drive

Printing from a flash drive

Notes:

- Before printing an encrypted PDF file, enter the file password from the printer control panel.
- You cannot print files for which you do not have printing permissions.

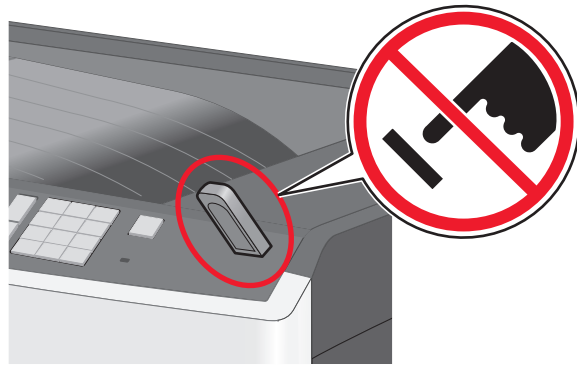
- 1 Insert a flash drive into the USB port.



Notes:

- If you insert the flash drive when the printer requires attention, such as when a jam has occurred, then the printer ignores the flash drive.
- If you insert the flash drive while the printer is processing other print jobs, then **Busy** appears. After these print jobs are processed, you may need to view the held jobs list to print documents from the flash drive.

Warning—Potential Damage: Do not touch the USB cable, any network adapter, any connector, the memory device, or the printer in the areas shown while actively printing, reading, or writing from the memory device. A loss of data can occur.



2 From the printer control panel, touch the document you want to print.

3 Touch the arrows to increase the number of copies to print, and then touch **Print**.

Notes:

- Do not remove the flash drive from the USB port until the document has finished printing.
- If you leave the flash drive in the printer after leaving the initial USB menu screen, then you can still print files from the flash drive as held jobs.

Supported flash drives and file types

Flash drive	File type
<ul style="list-style-type: none"> • Lexar JumpDrive 2.0 Pro (256MB, 512MB, or 1GB sizes) • SanDisk Cruzer Mini (256MB, 512MB, or 1GB sizes) <p>Notes:</p> <ul style="list-style-type: none"> • Hi-Speed USB flash drives must support the Full-Speed standard. Devices supporting only USB low-speed capabilities are not supported. • USB flash drives must support the FAT (<i>File Allocation Tables</i>) system. Devices formatted with NTFS (<i>New Technology File System</i>) or any other file system are not supported. 	<p>Documents:</p> <ul style="list-style-type: none"> • .pdf • .xps <p>Images:</p> <ul style="list-style-type: none"> • .dcx • .gif • .JPEG • .jpg • .bmp • .pcx • .TIFF • .tif • .png

Printing specialty documents

Tips on using letterhead

- Use letterhead designed specifically for laser/LED printers.
- Print samples on the letterhead being considered for use before buying large quantities.
- Before loading letterhead, flex the sheets to prevent them from sticking together.

- Page orientation is important when printing on letterhead.

Source	Print side	Paper orientation
Standard and optional trays (simplex printing)	Preprinted letterhead design is placed faceup.	When feeding short edge, the top edge of the sheet with the logo is placed at the right side of the tray. When feeding long-edge, the letter head should go to the rear of the printer.
Standard and optional trays (duplex printing)	Preprinted letterhead design is placed facedown.	The top edge of the sheet with the logo is placed at the right side of the tray.
Multipurpose feeder (simplex printing)	Preprinted letterhead design is placed facedown.	The top edge of the sheet with the logo should enter the multipurpose feeder first.
Multipurpose feeder (duplex printing)	Preprinted letterhead design is placed faceup.	The top edge of the sheet with the logo should enter the multipurpose feeder last.
Note: Check with the manufacturer or vendor to determine whether the chosen preprinted letterhead is acceptable for laser/LED printers.		

Tips on using transparencies

- Print samples on the transparencies being considered for use before buying large quantities.
- Feed transparencies from the standard tray or from the multipurpose feeder.
- From the Paper menu, set the Paper Type to Transparency.
- Use transparencies designed specifically for laser/LED printers. Transparencies must be able to withstand temperatures of 230°C (446°F) without melting, discoloring, offsetting, or releasing hazardous emissions.
- To prevent print quality problems, avoid getting fingerprints on the transparencies.
- Before loading transparencies, flex the stack to prevent sheets from sticking together.
- We recommend Lexmark transparencies. For ordering information, see the Lexmark Web site at www.lexmark.com.

Tips on using envelopes

Print samples on the envelopes being considered for use before buying large quantities.

- Use envelopes designed specifically for laser/LED printers. Check with the manufacturer or vendor to ensure that the envelopes can withstand temperatures up to 220°C (446°F) without sealing, wrinkling, curling excessively, or releasing hazardous emissions.
- For best performance, use envelopes made from 90 g/m² (24 lb bond) paper or 25% cotton. All-cotton envelopes must not exceed 70 g/m² (20 lb bond) weight.
- Use only new envelopes from undamaged packages.
- To optimize performance and minimize jams, do not use envelopes that:
 - Have excessive curl or twist
 - Are stuck together or damaged in any way

- Have windows, holes, perforations, cutouts, or embossing
- Have metal clasps, string ties, or folding bars
- Have an interlocking design
- Have postage stamps attached
- Have any exposed adhesive when the flap is in the sealed or closed position
- Have bent corners
- Have rough, cockle, or laid finishes
- Adjust the width guides to fit the width of the envelopes.

Note: A combination of high humidity (over 60%) and the high printing temperature may wrinkle or seal envelopes.

Tips on using labels

Note: Use paper label sheets for occasional use only. Vinyl, pharmacy, and dual-sided labels are not supported.

For detailed information on label printing, characteristics, and design, see the *Card Stock & Label Guide* available on the Lexmark Web site at <http://support.lexmark.com>.

When printing on labels:

- Use labels designed specifically for laser/LED printers. Check with the manufacturer or vendor to verify that:
 - The labels can withstand temperatures up to 210°C (410°F) without sealing, excessive curling, wrinkling, or releasing hazardous emissions.

Note: Labels can be printed at a higher fusing temperature up to 220°C (428°F) if Label Weight is set to Heavy. Select this setting using the Embedded Web Server, or from the printer control panel Paper menu.
 - Label adhesives, face sheet (printable stock), and topcoats can withstand up to 25 psi (172 kPa) pressure without delaminating, oozing around the edges, or releasing hazardous fumes.
- Do not use labels with slick backing material.
- Use full label sheets. Partial sheets may cause labels to peel off during printing, resulting in a jam. Partial sheets also contaminate the printer and the cartridge with adhesive, and could void the printer and cartridge warranties.
- Do not use labels with exposed adhesive.
- Do not print within 1 mm (0.04 in.) of the edge of the label, of the perforations, or between die-cuts of the label.
- Be sure adhesive backing does not reach to the sheet edge. Zone coating of the adhesive at least 1 mm (0.04 in.) away from edges is recommended. Adhesive material contaminates the printer and could void the warranty.
- If zone coating of the adhesive is not possible, remove a 1.6 mm (0.06 in.) strip on the leading and driver edge, and use a non-oozing adhesive.
- Portrait orientation works best, especially when printing bar codes.

Tips on using card stock

Card stock is heavy, single-ply specialty media. Many of its variable characteristics, such as moisture content, thickness, and texture, can significantly impact print quality. Print samples on the card stock being considered for use before buying large quantities.

- From the Paper menu, set the Paper Type to Card Stock.
- Select the appropriate Paper Texture setting.

- Be aware that preprinting, perforation, and creasing may significantly affect the print quality and cause jams or other paper handling problems.
- Check with the manufacturer or vendor to ensure the card stock can withstand temperatures up to 220°C (446°F) without releasing hazardous emissions.
- Do not use preprinted card stock manufactured with chemicals that may contaminate the printer. Preprinting introduces semi-liquid and volatile components into the printer.
- Use grain short card stock when possible.

Printing confidential and other held jobs

Storing print jobs in the printer

You can set the printer to store print jobs in the printer memory until you start the print job from the printer control panel.

All print jobs that can be initiated by the user at the printer are called *held jobs*.

Note: Confidential, Verify, Reserve, and Repeat print jobs may be deleted if the printer requires extra memory to process additional held jobs.

Print job type	Description
Confidential	Confidential lets you hold print jobs in the computer until you enter the PIN from the control panel. Note: The PIN is set from the computer. It must be four digits, using the numbers 0–9.
Verify	Verify lets you print one copy of a print job while the printer holds the remaining copies. It allows you to examine if the first copy is satisfactory. The print job is automatically deleted from the printer memory once all copies are printed.
Reserve	Reserve allows the printer to store print jobs for printing at a later time. The print jobs are held until deleted from the Help Jobs menu.
Repeat	Repeat prints <i>and</i> stores print jobs in the printer memory for reprinting.

Printing information pages

Printing a font sample list

1 From the home screen, navigate to:


 > Reports > Print Fonts

2 Touch PCL Fonts or PostScript Fonts.

Printing a directory list

A directory list shows the resources stored in a flash memory or on the printer hard disk.

From the home screen, navigate to:

 > **Reports** > **Print Directory**

Using Max Speed and Max Yield

The Max Speed and Max Yield settings let you choose between a faster print speed or a higher toner yield. Max Yield is the factory default setting.

- **Max Speed**—Prints in color unless black only is selected in the driver. Prints in black only if the black only driver setting is selected.
- **Max Yield**—Switches from black to color based on the color content found on each page. Frequent color mode switching can result in slower printing if the content of pages is mixed.

Using the Embedded Web Server

1 Type the printer IP address into the address field of your Web browser.

If you do not know the IP address of the printer, you can:

- View the IP address on the printer control panel in the TCP/IP section under the Networks/Ports menu.
- Print a network setup page or the menu settings pages and locate the IP address in the TCP/IP section.

2 Click **Configuration** > **Print Settings** > **Setup Menu**.

3 From the Printer Usage list, select **Max Speed** or **Max Yield**.

4 Click **Submit**.

Using the printer control panel

1 From the home screen, navigate to:


 > **Settings** > **Print Settings** > **Setup Menu**

2 From the Printer Usage list, select **Max Speed** or **Max Yield**.


3 Touch .

Canceling a print job

Canceling a print job from the printer control panel

1 From the printer control panel, touch **Cancel Job** or press  on the keypad.

2 Touch the print job you want to cancel, and then touch **Delete Selected Jobs**.

Note: If you press  on the keypad, then touch **Resume** to return to the home screen.

Canceling a print job from the computer

For Windows users


- 1 Open the printers folder.

In Windows 8

From the Search charm, type **run**, and then navigate to:

Apps list > **Run** > type **control printers** > **OK**

In Windows 7 or earlier

- a Click  or click **Start**, and then click **Run**.
 - b In the Start Search or Run dialog, type **control printers**.
 - c Press **Enter**, or click **OK**.
- 2 Double-click the printer icon.
 - 3 Select the print job you want to cancel.
 - 4 Click **Delete**.

For Macintosh users

- 1 From the Apple menu, navigate to either of the following:
 - **System Preferences > Print & Scan > select your printer > Open Print Queue**
 - **System Preferences > Print & Fax > select your printer > Open Print Queue**
- 2 From the printer window, select the print job you want to cancel, and then delete it.

Understanding printer menus

Menus list

Supplies

Replace Supply
 Cyan Cartridge
 Magenta Cartridge
 Yellow Cartridge
 Black Cartridge
 Cyan Imaging Unit
 Magenta Imaging Unit
 Yellow Imaging Unit
 Black Imaging Unit
 Waste Toner Bottle
 Fuser
 Transfer Module
 Maintenance Kit

Paper Menu

Default Source
 Paper Size/Type
 Configure MP
 Substitute Size
 Paper Weight
 Paper Loading
 Custom Types
 Custom Names
 Universal Setup

Reports

Menu Settings Page
 Device Statistics
 Network Setup Page
 Network [x] Setup Page
 Profiles List
 Print Fonts
 Print Directory
 Asset Report

Settings

General Settings
 Flash Drive Menu
 Print Settings
 Setup Menu
 Finishing Menu
 Quality Menu
 Job Accounting Menu
 Utilities Menu
 XPS Menu
 PDF Menu
 PostScript Menu
 PCL Emul Menu
 HTML Menu
 Image Menu

Security

Miscellaneous Security Settings
 Confidential Print
 Disk Wiping
 Security Audit Log
 Set Date and Time

Network/Ports

Active NIC
 Standard Network or Network [x]*
 Standard USB
 Parallel [x]
 Serial [x]
 SMTP Setup

Help

Print All Guides
 Color Quality
 Print Quality
 Printing Guide
 Media Guide
 Print Defects Guide
 Menu Map
 Information Guide
 Connection Guide
 Moving Guide
 Supplies Guide

* Depending on the printer setup, this menu appears as Standard Network, Wireless Network, or Network [x].

Supplies menu

Menu item	Description
Replace Supply Waste Toner Bottle	Provides the option to reset the supply counter for the waste toner bottle <ul style="list-style-type: none"> • Select Yes to reset the supply counter. • Select No to exit.
Cyan Cartridge Early Warning Low Invalid Near End of Life Replace Missing Defective OK Unsupported	Shows the status of the cyan toner cartridge
Magenta Cartridge Early Warning Low Invalid Near End of Life Replace Missing Defective OK Unsupported	Shows the status of the magenta toner cartridge
Yellow Cartridge Early Warning Low Invalid Near End of Life Replace Missing Defective OK Unsupported	Shows the status of the yellow toner cartridge

Menu item	Description
Black Cartridge Early Warning Low Invalid Near End of Life Replace Missing Defective OK Unsupported	Shows the status of the black toner cartridge
Cyan Imaging Unit Early Warning Low Replace Missing OK	Shows the status of the cyan imaging unit
Magenta Imaging Unit Early Warning Low Replace Missing OK	Shows the status of the magenta imaging unit
Yellow Imaging Unit Early Warning Low Replace Missing OK	Shows the status of the yellow imaging unit
Black Imaging Unit Early Warning Low Replace Missing OK	Shows the status of the black imaging unit
Waste Toner Bottle Near Full Replace Missing OK	Shows the status of the waste toner bottle

Menu item	Description
Fuser Early Warning Low Replace Missing OK	Shows the status of the fuser
Transfer module Early Warning Low Replace Missing OK	Shows the status of the transfer module
Maintenance Kit OK Replace	Shows the status of the maintenance kit

Paper menu

Default Source menu

Menu item	Description
Default Source Tray [x] MP Feeder Manual Paper Manual Envelope	Sets a default paper source for all print jobs Notes: <ul style="list-style-type: none"> • Tray 1 (standard tray) is the factory default setting. • From the Paper menu, Configure MP feeder must be set to Cassette for MP feeder to appear as a menu setting. • If the same size and type of paper are in two trays and the Paper Size and Paper Type settings match, then the trays are automatically linked. When one tray is empty, the print job continues using the linked tray.

Paper Size/Type menu

Menu item	Description
Tray [x] Size (LEF) Letter Legal JIS B4 A3 11 x 17 Universal (LEF) A4	Specifies the paper size loaded in each tray Notes: <ul style="list-style-type: none"> • Letter is the US factory default setting. A4 is the international factory default setting. • For trays with automatic size sensing, only the size detected by the hardware appears. • If the same size and type of paper are in two trays and the Paper Size and Paper Type settings match, then the trays are automatically linked. When one tray is empty, the print job continues using the linked tray.
Tray [x] Type Plain Paper Card Stock Transparency Recycled Glossy Heavy Glossy Labels Vinyl Labels Bond Letterhead Preprinted Colored Paper Light Paper Heavy Paper Rough/Cotton Paper Custom Type [x]	Specifies the type of paper loaded in each tray Notes: <ul style="list-style-type: none"> • Plain Paper is the factory default setting for Tray 1. Custom Type [x] is the factory default setting for all other trays. • If available, a user-defined name appears instead of Custom Type [x]. • If the same size and type of paper are in two trays and the Paper Size and Paper Type settings match, then the trays are automatically linked. When one tray is empty, the print job continues using the linked tray.
Note: Only installed trays are listed in this menu.	

Menu item	Description
<p>MP Feeder Size</p> <ul style="list-style-type: none"> Letter Legal Executive JIS B4 A3 11 x 17 Oficio (México) Folio Statement Universal 7 3/4 Envelope 9 Envelope 10 Envelope DL Envelope C5 Envelope B5 Envelope Other Envelope A4 A5 A6 JIS B5 	<p>Specifies the paper size loaded in the multipurpose feeder</p> <p>Notes:</p> <ul style="list-style-type: none"> • Letter is the US factory default setting. A4 is the international factory default setting. • From the Paper menu, Configure MP Feeder must be set to Cassette for MP Feeder to appear as a menu setting.
<p>MP Feeder Type</p> <ul style="list-style-type: none"> Plain Paper Card Stock Transparency Recycled Glossy Heavy Glossy Labels Vinyl Labels Bond Envelope Rough Envelope Letterhead Preprinted Colored Paper Light Paper Heavy Paper Rough/Cotton Paper Custom Type [x] 	<p>Specifies the type of paper loaded in the multipurpose feeder</p> <p>Notes:</p> <ul style="list-style-type: none"> • Plain Paper is the factory default setting. • From the Paper menu, Configure MP Feeder must be set to Cassette for MP Feeder to appear as a menu setting.
<p>Note: Only installed trays are listed in this menu.</p>	

Menu item	Description
<p>Manual Paper Size</p> <ul style="list-style-type: none"> Letter Legal Executive JIS B4 A3 11 x 17 Oficio (México) Folio Statement Universal A4 A5 A6 JIS B5 	<p>Specifies the size of the paper loaded manually</p> <p>Note: Letter is the US factory default setting. A4 is the international factory default setting.</p>
<p>Manual Paper Type</p> <ul style="list-style-type: none"> Plain Paper Card Stock Transparency Recycled Glossy Heavy Glossy Labels Vinyl Labels Bond Letterhead Preprinted Colored Paper Light Paper Heavy Paper Rough/Cotton Paper Custom Type [x] 	<p>Specifies the type of paper loaded manually</p> <p>Note: Plain Paper is the factory default setting.</p>
<p>Manual Envelope Size</p> <ul style="list-style-type: none"> 10 Envelope DL Envelope C5 Envelope B5 Envelope 7 3/4 Envelope 9 Envelope Other Envelope 	<p>Specifies the size of the envelope loaded manually</p> <p>Note: 10 Envelope is the US factory default setting. DL Envelope is the international factory default setting.</p>
<p>Note: Only installed trays are listed in this menu.</p>	

Menu item	Description
Manual Envelope Type Envelope Rough Envelope Custom Type [x]	Specifies the type of envelope loaded manually Note: Envelope is the factory default setting.
Note: Only installed trays are listed in this menu.	

Configure MP menu

Menu item	Description
Configure MP Cassette Manual First	Determines when the printer selects paper from the multipurpose feeder Notes: <ul style="list-style-type: none"> • Cassette is the factory default setting. Cassette configures the multipurpose feeder as the automatic paper source. • Manual sets the multipurpose feeder only for manual feed print jobs. • First configures the multipurpose feeder as the primary paper source.

Substitute Size menu

Menu item	Description
Substitute Size All Listed Off Statement/A5 Letter/A4 11 x 17/A3	Substitutes a specified paper size if the requested paper size is not available Notes: <ul style="list-style-type: none"> • All Listed is the factory default setting. All available substitutions are allowed. • Off indicates that no size substitutions are allowed. • Setting a size substitution lets the print job continue without a Change Paper message appearing.

Paper Weight menu

Menu item	Description
Plain Weight Normal Heavy Light	Specifies the relative weight of the plain paper loaded Note: Normal is the factory default setting.
Card Stock Weight Normal Heavy Light	Specifies the relative weight of the card stock loaded Notes: <ul style="list-style-type: none"> • Normal is the factory default setting. • Settings appear only if card stock is supported.

Menu item	Description
Transparency Weight Normal Heavy Light	Specifies the relative weight of the transparencies loaded Note: Normal is the factory default setting.
Recycled Weight Normal Heavy Light	Specifies the relative weight of the recycled paper loaded Note: Normal is the factory default setting.
Glossy Weight Normal Heavy Light	Specifies the relative weight of the glossy paper loaded Note: Normal is the factory default setting.
Heavy Glossy Weight Heavy	Specifies the relative weight of the glossy paper loaded Note: Heavy is the factory default setting.
Labels Weight Normal Heavy Light	Specifies the relative weight of the labels loaded Note: Normal is the factory default setting.
Vinyl Labels Weight Normal Heavy Light	Specifies the relative weight of vinyl labels loaded Note: Normal is the factory default setting.
Bond Weight Normal Heavy Light	Specifies the relative weight of the bond paper loaded Note: Normal is the factory default setting.
Envelope Weight Normal Heavy Light	Specifies the relative weight of the envelopes loaded Note: Normal is the factory default setting.
Rough Envelope Weight Heavy Light Normal	Specifies the relative weight of the envelopes loaded Note: Heavy is the factory default setting.
Letterhead Weight Normal Heavy Light	Specifies the relative weight of the letterhead loaded Note: Normal is the factory default setting.
Preprinted Weight Normal Heavy Light	Specifies the relative weight of the preprinted paper loaded Note: Normal is the factory default setting.

Menu item	Description
Colored Weight Normal Heavy Light	Specifies the relative weight of the colored paper loaded Note: Normal is the factory default setting.
Light Weight Light	Specifies the relative weight of the paper loaded Note: Light is the factory default setting.
Heavy Weight Heavy	Specifies the relative weight of the paper loaded Note: Heavy is the factory default setting.
Rough/Cotton Weight Normal Heavy Light	Specifies the relative weight of the cotton paper loaded Note: Normal is the factory default setting.
Custom [x] Weight Normal Heavy Light	Specifies the relative weight of the custom paper loaded Notes: <ul style="list-style-type: none"> • Normal is the factory default setting. • Settings appear only if the custom type is supported.

Paper Loading menu

Menu item	Description
Card Stock Loading Off Duplex	Determines whether 2-sided printing occurs for all print jobs that specify Card Stock as the paper type Note: Off is the factory default setting.
Recycled Loading Off Duplex	Determines whether 2-sided printing occurs for all print jobs that specify Recycled as the paper type Note: Off is the factory default setting.
Glossy Loading Off Duplex	Determines whether 2-sided printing occurs for all print jobs that specify Glossy as the paper type Note: Off is the factory default setting.
Heavy Glossy Loading Off Duplex	Determines whether 2-sided printing occurs for all print jobs that specify Heavy Glossy as the paper type Note: Off is the factory default setting.
Labels Loading Off Duplex	Determines whether 2-sided printing occurs for all print jobs that specify Labels as the paper type Note: Off is the factory default setting.
Notes: <ul style="list-style-type: none"> • Duplex sets the printer default to 2-sided printing for every print job unless 1-sided printing is selected from Print Properties. • If Duplex is selected, then all print jobs are sent through the duplex unit, including 1-sided print jobs. 	

Menu item	Description
Vinyl Labels Loading Off Duplex	Determines whether 2-sided printing occurs for all print jobs that specify Vinyl Labels as the paper type Note: Off is the factory default setting.
Bond Loading Off Duplex	Determines whether 2-sided printing occurs for all print jobs that specify Bond as the paper type Note: Off is the factory default setting.
Letterhead Loading Off Duplex	Determines whether 2-sided printing occurs for all print jobs that specify Letterhead as the paper type Note: Off is the factory default setting.
Preprinted Loading Off Duplex	Determines whether 2-sided printing occurs for all print jobs that specify Preprinted as the paper type Note: Off is the factory default setting.
Colored Loading Off Duplex	Determines whether 2-sided printing occurs for all print jobs that specify Colored as the paper type Note: Off is the factory default setting.
Light Loading Off Duplex	Determines whether 2-sided printing occurs for all print jobs that specify Light as the paper type Note: Off is the factory default setting.
Heavy Loading Off Duplex	Determines whether 2-sided printing occurs for all print jobs that specify Heavy as the paper type Note: Off is the factory default setting.
Rough/Cotton Loading Off Duplex	Determines whether 2-sided printing occurs for all print jobs that specify Rough or Cotton as the paper type Note: Off is the factory default setting.
Custom [x] Loading Off Duplex	Determines whether 2-sided printing occurs for all print jobs that specify Custom [x] as the paper type Notes: <ul style="list-style-type: none"> • Off is the factory default setting. • Custom [x] Loading is available only if the custom paper type is supported.
Notes: <ul style="list-style-type: none"> • Duplex sets the printer default to 2-sided printing for every print job unless 1-sided printing is selected from Print Properties. • If Duplex is selected, then all print jobs are sent through the duplex unit, including 1-sided print jobs. 	

Custom Types menu

Menu item	Description
Custom Type [x] Paper Card Stock Transparency Glossy Rough/Cotton Labels Vinyl Labels Envelope	Associates a paper or specialty media type with a factory default Custom Type [x] name or a user-defined Custom Name created from the Embedded Web Server or from MarkVision™ Professional Notes: <ul style="list-style-type: none"> • Paper is the factory default setting. • The custom media type must be supported by the selected tray or multipurpose feeder in order to print from that source.
Recycled Paper Card Stock Transparency Glossy Rough/Cotton Labels Vinyl Labels Envelope	Specifies a paper type when the Recycled setting is selected in other menus Notes: <ul style="list-style-type: none"> • Paper is the factory default setting. • The custom media type must be supported by the selected tray or multipurpose feeder in order to print from that source.

Custom Names menu

Menu item	Definition
Custom Name [x] [none]	Specify a custom name for a paper type. This name replaces the Custom Type [x] name in the printer menus.

Universal Setup menu

Menu item	Description
Units of Measure Inches Millimeters	Identifies the unit of measure Note: Inches is the US factory default setting. Millimeters is the international factory default setting.
Portrait Width 3–48 inches 76–1219 mm	Sets the portrait width Notes: <ul style="list-style-type: none"> • 11.69 inches is the US factory default setting. Inches can be increased in 0.01-inch increments. • 296.9 mm is the international factory default setting. Millimeters can be increased in 1-mm increments. • If the width exceeds the maximum, then the printer uses the maximum width allowed.

Menu item	Description
Portrait Height 3–48 inches 76–1219 mm	Sets the portrait height Notes: <ul style="list-style-type: none"> • 48 inches is the US factory default setting. Inches can be increased in 0.01-inch increments. • 1219 mm is the international factory default setting. Millimeters can be increased in 1-mm increments. • If the height exceeds the maximum, then the printer uses the maximum height allowed.
Feed Direction Short Edge Long Edge	Specifies the feed direction Notes: <ul style="list-style-type: none"> • Short Edge is the factory default setting. • Long Edge appears only if the longest edge is shorter than the maximum width supported by the tray.

Reports menu

Reports menu

Menu item	Description
Menu Settings Page	Prints a report containing information about the paper loaded into trays, installed memory, total page count, alarms, timeouts, printer control panel language, TCP/IP address, status of supplies, status of the network connection, and other information
Device Statistics	Prints a report containing printer statistics such as supply information and details about printed pages
Network Setup Page	Prints a report containing information about the network printer settings, such as the TCP/IP address information Note: This menu item appears only in network printers or in printers connected to print servers.
Network [x] Setup Page	Prints a report containing information about the network printer settings, such as the TCP/IP address information Notes: <ul style="list-style-type: none"> • This selection is available when more than one network option is installed. • This menu item appears only in network printers or in printers connected to print servers.
Profiles List	Prints a list of profiles stored in the printer
Print Fonts PCL Fonts PostScript Fonts	Prints a report of all the fonts available for the printer language currently set in the printer Note: A separate list is available for PCL and PostScript emulations.

Menu item	Description
Print Directory	Prints a list of all the resources stored on an optional flash memory card or printer hard disk Note: Make sure the optional flash memory or printer hard disk is installed correctly and working properly.
Asset Report	Prints a report containing printer asset information, such as serial number and model name Note: The report contains text and UPC barcodes that can be scanned into an asset database.

Network/Ports menu

Active NIC menu

Menu item	Description
Active NIC Auto [list of available network cards]	Notes: <ul style="list-style-type: none"> • Auto is the factory default setting. • This menu item appears only if an optional network card is installed.

Standard Network or Network [x] menus

Note: Only active ports appear in this menu; all inactive ports are omitted.

Menu item	Description
PCL SmartSwitch On Off	Sets the printer to automatically switch to PCL emulation when a print job requires it, regardless of the default printer language Notes: <ul style="list-style-type: none"> • On is the factory default setting. • When Off is used, the printer does not examine incoming data. The printer uses PostScript emulation if PS SmartSwitch is set to On. It uses the default printer language specified in the Setup menu if PS SmartSwitch is set to Off.
PS SmartSwitch On Off	Sets the printer to automatically switch to PS emulation when a print job requires it, regardless of the default printer language Notes: <ul style="list-style-type: none"> • On is the factory default setting. • When Off is used, the printer does not examine incoming data. The printer uses PCL emulation if PCL SmartSwitch is set to On. It uses the default printer language specified in the Setup menu if PCL SmartSwitch is set to Off.

Menu item	Description
NPA Mode Auto Off	Sets the printer to perform the special processing required for bidirectional communication following the conventions defined by the NPA protocol Notes: <ul style="list-style-type: none"> • Auto is the factory default setting. • Changing this setting from the printer control panel and then exiting the menus causes the printer to restart. The menu selection is then updated.
Network Buffer Auto 3KB to [maximum size allowed]	Sets the size of the network input buffer Notes: <ul style="list-style-type: none"> • Auto is the factory default setting. • The value can be changed in 1-KB increments. • The maximum size allowed depends on the amount of memory in the printer, the size of the other link buffers, and whether Resource Save is set to On or Off. • To increase the maximum size range for the Network Buffer, disable or reduce the size of the parallel, serial, and USB buffers. • Changing this setting from the printer control panel and then exiting the menus causes the printer to restart. The menu selection is then updated.
Job Buffering Off On Auto	Temporarily stores print jobs on the printer hard disk before printing. This menu only appears if a formatted disk is installed. Notes: <ul style="list-style-type: none"> • Off is the factory default setting. • On buffers print jobs on the printer hard disk. • Auto buffers print jobs only if the printer is busy processing data from another input port. • Changing this setting from the printer control panel and then exiting the menus causes the printer to restart. The menu selection is then updated.
Mac Binary PS Auto On Off	Sets the printer to process Macintosh binary PostScript print jobs Notes: <ul style="list-style-type: none"> • Auto is the factory default setting. • Off filters print jobs using the standard protocol. • On processes raw binary PostScript print jobs.

Menu item	Description
Standard Network Setup Reports Network Card TCP/IP IPv6 Wireless AppleTalk	Displays and sets the printer network settings. Note: The Wireless menu appears only when the printer is connected to a wireless network.
Network [x] Setup Reports Network Card TCP/IP IPv6 Wireless AppleTalk	

Network Reports menu

This menu is available from the Network/Ports menu:

Network/Ports > Standard Network or **Network [x] > Standard Network Setup** or **Network [x] Setup > Reports** or **Network Reports**

Menu item	Description
Print Setup Page	Prints a report containing information about the network printer settings, such as the TCP/IP address

Network Card menu

This menu is available from the Network/Ports menu:

Network/Ports > Standard Network or **Network [x] > Standard Network Setup** or **Network [x] Setup > Network Card**

Menu item	Description
View Card Status Connected Disconnected	Lets you view the connection status of the Network Card
View Card Speed	Lets you view the speed of a currently active network card
Network Address UAA LAA	Lets you view the network addresses
Job Timeout 0 10–225	Sets the amount of time in seconds before a network print job is canceled Note: 90 seconds is the factory default setting.

Menu item	Description
Banner Page Off On	Allows the printer to print a banner page Note: Off is the factory default setting.

TCP/IP menu

This menu is available from the Network/Ports menu:

Network/Ports > Standard Network or **Network [x] > Standard Network Setup** or **Network [x] Setup > TCP/IP**

Note: This menu is available only in network models or printers attached to print servers.

Menu item	Description
Activate On Off	Activates TCP/IP Note: On is the factory default setting.
Set Hostname	Lets you set the current TCP/IP hostname Note: This can be changed only from the Embedded Web Server.
IP Address	Lets you view or change the current TCP/IP address Note: Manually setting the IP address sets the Enable DHCP and Enable Auto IP settings to Off. It also sets Enable BOOTP and Enable RARP to Off on systems that support BOOTP and RARP.
Netmask	Lets you view or change the current TCP/IP netmask
Gateway	Lets you view or change the current TCP/IP gateway
Enable DHCP On Off	Specifies the DHCP address and parameter assignment setting Note: On is the factory default setting.
Enable RARP On Off	Specifies the RARP address assignment setting Note: On is the factory default setting.
Enable BOOTP On Off	Specifies the BOOTP address assignment setting Note: On is the factory default setting.
Enable AutoIP Yes No	Specifies the Zero Configuration Networking setting Note: Yes is the factory default setting.
Enable FTP/TFTP Yes No	Enables the built-in FTP server, which allows you to send files to the printer using File Transfer Protocol. Note: Yes is the factory default setting.
Enable HTTP Server Yes No	Enables the built-in web server (Embedded Web Server). When enabled, the printer can be monitored and managed remotely using a web browser. Note: Yes is the factory default setting.

Menu item	Description
WINS Server Address	Lets you view or change the current WINS server address
Enable DDNS Yes No	Lets you view or change the current DDNS setting Note: Yes is the factory default setting.
Enable mDNS Yes No	Lets you view or change the current mDNS setting Note: Yes is the factory default setting.
DNS Server Address	Lets you view or change the current DNS server address
Enable HTTPS Yes No	Lets you view or change the current HTTPS setting Note: Yes is the factory default setting.

IPv6 menu

This menu is available from the Network/Ports menu:

Network/Ports > Standard Network or **Network [x] > Standard Network Setup** or **Network [x] Setup > IPv6**

Note: This menu is available only for network models or printers attached to print servers.

Menu item	Description
Enable IPv6 On Off	Enables IPv6 in the printer Note: On is the factory default setting.
Auto Configuration On Off	Specifies whether the network adapter accepts the automatic IPv6 address configuration entries provided by a router Note: On is the factory default setting.
Set Hostname	Lets you set the hostname
View Address	Note: These settings can be changed only from the Embedded Web Server.
View Router Address	
Enable DHCPv6 On Off	Enables DHCPv6 in the printer Note: On is the factory default setting.

Wireless menu

Use the following menu items to view or configure the wireless internal print server settings.

Note: This menu is available only for models connected to a wireless network.

The Wireless menu is available from the Network/Ports menu:

Network/Ports > Standard Network or **Network [x] > Standard Network Setup** or **Network [x] Setup > Wireless**

Menu item	Description
WPS PBC Mode	Lets you connect the printer to a wireless network by pressing buttons on both the printer and the access point (wireless router) within a given period of time
WPS PIN Mode	Lets you connect the printer to a wireless network by using a PIN on the printer and entering it into the wireless settings of the access point
WPS Auto Detect Disable Enable	Automatically detects the connection method that an access point with WPS uses— WPS Push Button Configuration (PBC) or WPS Personal Identification Number (PIN) Note: Disable is the factory default setting.
Network Mode Ad hoc Infrastructure	Specifies the network mode Notes: <ul style="list-style-type: none"> • Ad hoc is the factory default setting. This configures wireless connection directly between the printer and a computer. • Infrastructure lets the printer access a network using an access point.
Compatibility 802.11b/g/n 802.11n 802.11b/g	Specifies the wireless standard for the wireless network Note: The 802.11b/g/n is the factory default setting.
Choose Network [list of available networks]	Lets you select an available network for the printer to use
View Signal Quality	Lets you view the quality of the wireless connection
View Security Mode	Lets you view the encryption method that a wireless network uses

Note: *Wi-Fi Protected Setup (WPS)* is a simple and secure configuration that allows you to establish a wireless network and enable network security without requiring prior knowledge of Wi-Fi technology. It is no longer necessary to configure the network name (SSID) and WEP key or WPA passphrase for network devices.

AppleTalk menu

This menu is available from the Network/Ports menu:

Network/Ports > Standard Network or Network [x] > Standard Network Setup or Network [x] Setup > AppleTalk

Menu item	Description
Activate Yes No	Activates AppleTalk support Note: Yes is the factory default setting.
View Name	Shows the assigned AppleTalk name Note: The name can be changed only from the Embedded Web Server.
View Address	Shows the assigned AppleTalk address Note: The address can be changed only from the Embedded Web Server.

Menu item	Description
Set Zone [default] [list of zones available on the network]	Provides a list of AppleTalk zones available on the network Note: When “default” is selected, the printer uses the AppleTalk zone that the router identifies as the default zone for the network. If no default zone exists, then the zone marked with an * is the default setting.

Standard USB menu

Menu item	Description
PCL SmartSwitch On Off	Sets the printer to automatically switch to PCL emulation when a print job received through a USB port requires it, regardless of the default printer language Notes: <ul style="list-style-type: none"> • On is the factory default setting. • When set to Off, the printer does not examine incoming data. The printer uses PostScript emulation if the PS SmartSwitch is set to On. It uses the default printer language specified in the Setup menu if the PS SmartSwitch is set to Off.
PS SmartSwitch On Off	Sets the printer to automatically switch to PS emulation when a print job received through a USB port requires it, regardless of the default printer language Notes: <ul style="list-style-type: none"> • On is the factory default setting. • When set to Off, the printer does not examine incoming data. The printer uses PCL emulation if the PCL SmartSwitch is set to On. It uses the default printer language specified in the Setup menu if the PCL SmartSwitch is set to Off.
NPA Mode Auto On Off	Sets the printer to perform the special processing required for bidirectional communication following the conventions defined by the NPA protocol Notes: <ul style="list-style-type: none"> • Auto is the factory default setting. Auto sets the printer to examine data, determine the format, and then process it appropriately. • Changing this setting from the printer control panel and then exiting the menus causes the printer to restart. The menu selection is then updated.

Menu item	Description
USB Buffer Auto 3KB to [maximum size allowed] Disabled	Sets the size of the USB input buffer Notes: <ul style="list-style-type: none"> • Auto is the factory default setting. • Disabled turns off job buffering. Any jobs already buffered on the printer hard disk are printed before normal processing resumes. • The USB buffer size value can be changed in 1-KB increments. • The maximum size allowed depends on the amount of memory in the printer, the size of the other link buffers, and whether Resource Save is set to On or Off. • To increase the maximum size range for the USB Buffer, disable or reduce the size of the parallel, serial, and network buffers. • Changing this setting from the printer control panel and then exiting the menus causes the printer to restart. The menu selection is then updated.
Job Buffering Off On Auto	Temporarily stores print jobs on the printer hard disk before printing. This menu only appears if a formatted printer hard disk is installed. Notes: <ul style="list-style-type: none"> • Off is the factory default setting. • On buffers jobs on the printer hard disk. • Auto buffers print jobs only if the printer is busy processing data from another input port. • Changing this setting from the printer control panel and then exiting the menus causes the printer to restart. The menu selection is then updated.
Mac Binary PS Auto On Off	Sets the printer to process Macintosh binary PostScript print jobs Notes: <ul style="list-style-type: none"> • Auto is the factory default setting. • On processes raw binary PostScript print jobs. • Off filters print jobs using the standard protocol.
ENA Address YYY.YYY.YYY.YYY	Sets the network address information for an external print server Note: This menu item is available only if the printer is attached to an external print server through the USB port.
ENA Netmask YYY.YYY.YYY.YYY	Sets the netmask information for an external print server Note: This menu item is available only if the printer is attached to an external print server through the USB port.
ENA Gateway YYY.YYY.YYY.YYY	Sets the gateway information for an external print server Note: This menu item is available only if the printer is attached to an external print server through the USB port.

Parallel [x] menu

Menu item	Description
PCL SmartSwitch On Off	<p>Sets the printer to automatically switch to PCL emulation when a print job received through a serial port requires it, regardless of the default printer language</p> <p>Notes:</p> <ul style="list-style-type: none"> • On is the factory default setting. • When set to Off, the printer does not examine incoming data. The printer uses PostScript emulation if PS SmartSwitch is set to On. It uses the default printer language specified in the Setup menu if PS SmartSwitch is set to Off.
PS SmartSwitch On Off	<p>Sets the printer to automatically switch to PS emulation when a print job received through a serial port requires it, regardless of the default printer language</p> <p>Notes:</p> <ul style="list-style-type: none"> • On is the factory default setting. • When set to Off, the printer does not examine incoming data. The printer uses PCL emulation if PCL SmartSwitch is set to On. It uses the default printer language specified in the Setup menu if PCL SmartSwitch is set to Off.
NPA Mode Auto On Off	<p>Sets the printer to perform the special processing required for bidirectional communication following the conventions defined by the NPA protocol</p> <p>Notes:</p> <ul style="list-style-type: none"> • Auto is the factory default setting. • Changing this setting from the printer control panel and then exiting the menus causes the printer to restart. The menu selection is then updated.
Parallel Buffer Auto 3KB to [maximum size allowed] Disabled	<p>Sets the size of the parallel input buffer</p> <p>Notes:</p> <ul style="list-style-type: none"> • Auto is the factory default setting. • Disabled turns off job buffering. Any print jobs already buffered on the printer hard disk are printed before normal processing resumes. • The parallel buffer size setting can be changed in 1-KB increments. • The maximum size allowed depends on the amount of memory in the printer, the size of the other link buffers, and whether Resource Save is set to On or Off. • To increase the maximum size range for the Parallel Buffer, disable or reduce the size of the USB, serial, and network buffers. • Changing this setting from the printer control panel and then exiting the menus causes the printer to restart. The menu selection is then updated.

Menu item	Description
Job Buffering Off On Auto	Temporarily stores print jobs on the printer hard disk before printing Notes: <ul style="list-style-type: none"> • Off is the factory default setting. • On buffers print jobs on the printer hard disk. • Auto buffers print jobs only if the printer is busy processing data from another input port. • Changing this setting from the printer control panel and then exiting the menus causes the printer to restart. The menu selection is then updated.
Advanced Status On Off	Enables bidirectional communication through the parallel port Notes: <ul style="list-style-type: none"> • On is the factory default setting. • Off disables parallel port negotiation.
Protocol Fastbytes Standard	Specifies the parallel port protocol Notes: <ul style="list-style-type: none"> • Fastbytes is the factory default setting. It provides compatibility with most existing parallel ports and is the recommended setting. • Standard tries to resolve parallel port communication problems.
Honor Init Off On	Determines if the printer honors printer hardware initialization requests from the computer Notes: <ul style="list-style-type: none"> • Off is the factory default setting. • The computer requests initialization by activating the Init signal from the parallel port. Many personal computers activate the Init signal each time the computer is turned on.
Parallel Mode 2 On Off	Determines if the parallel port data is sampled on the leading or trailing edge of a strobe Note: On is the factory default setting.
Mac Binary PS Auto On Off	Sets the printer to process Macintosh binary PostScript print jobs Notes: <ul style="list-style-type: none"> • Auto is the factory default setting. • Off filters print jobs using the standard protocol. • On processes raw binary PostScript print jobs.
ENA Address YYY·YYY·YYY·YYY	Sets the network address information for an external print server Note: This menu item is available only if the printer is attached to an external print server through the USB port.
ENA Netmask YYY·YYY·YYY·YYY	Sets the netmask information for an external print server Note: This menu item is available only if the printer is attached to an external print server through the USB port.

Menu item	Description
ENA gateway YYY.YYY.YYY.YYY	Sets the gateway information for an external print server Note: This menu item is available only if the printer is attached to an external print server through the USB port.

Serial [x] menu

Menu item	Description
PCL SmartSwitch On Off	Sets the printer to automatically switch to PCL emulation when a print job received through a serial port requires it, regardless of the default printer language Notes: <ul style="list-style-type: none"> • On is the factory default setting. • When set to Off, the printer does not examine incoming data. The printer uses PostScript emulation if PS SmartSwitch is set to On. It uses the default printer language specified in the Setup menu if PS SmartSwitch is set to Off.
PS SmartSwitch On Off	Sets the printer to automatically switch to PS emulation when a print job received through a serial port requires it, regardless of the default printer language Notes: <ul style="list-style-type: none"> • On is the factory default setting. • When set to Off, the printer does not examine incoming data. The printer uses PCL emulation if PCL SmartSwitch is set to On. It uses the default printer language specified in the Setup menu if PCL SmartSwitch is set to Off.
NPA Mode Auto On Off	Sets the printer to perform the special processing required for bidirectional communication following the conventions defined by the NPA protocol Notes: <ul style="list-style-type: none"> • Auto is the factory default setting. Auto sets the printer to examine data, determine the format, and then processes it appropriately. • When set to On, the printer performs NPA processing. If the data is not in NPA format, it is rejected as bad data. • When set to Off, the printer does not perform NPA processing. • Changing this setting from the printer control panel and then exiting the menus causes the printer to restart. The menu selection is then updated.

Menu item	Description
Serial Buffer Auto 3KB to [maximum size allowed] Disabled	Sets the size of the serial input buffer Notes: <ul style="list-style-type: none"> • Auto is the factory default setting. • Disabled turns off job buffering. Any jobs already buffered on the disk are printed before normal processing is resumed. • The serial buffer size setting can be changed in 1-KB increments. • The maximum size allowed depends on the amount of memory in the printer, the size of the other link buffers, and whether Resource Save is set to On or Off. • To increase the maximum size range for the Serial Buffer, disable or reduce the size of the parallel, serial, and network buffers. • Changing this setting from the printer control panel and then exiting the menus causes the printer to restart. The menu selection is then updated.
Job Buffering Off On Auto	Temporarily stores print jobs on the printer hard disk before printing Notes: <ul style="list-style-type: none"> • Off is the factory default setting. The printer does not buffer print jobs on the printer hard disk. • On buffers print jobs on the printer hard disk. • Auto buffers print jobs only if the printer is busy processing data from another input port. • Changing this setting from the printer control panel and then exiting the menus causes the printer to restart. The menu selection is then updated.
Protocol DTR DTR/DSR XON/XOFF XON/XOFF/DTR XONXOFF/DTRDSR	Selects the hardware and software handshaking settings for the serial port Notes: <ul style="list-style-type: none"> • DTR is the factory default setting. • DTR/DSR is a hardware handshaking setting. • XON/XOFF is a software handshaking setting. • XON/XOFF/DTR and XON/XOFF/DTR/DSR are combined hardware and software handshaking settings.
Robust XON Off On	Determines whether the printer communicates availability to the computer Notes: <ul style="list-style-type: none"> • Off is the factory default setting. • This menu item applies only to the serial port if Serial Protocol is set to XON/XOFF.

Menu item	Description
Baud 9600 19200 38400 57600 115200 138200 172800 230400 345600 1200 2400 4800	Specifies the rate at which data can be received through the serial port Notes: <ul style="list-style-type: none"> • 9600 is the factory default setting. • 138200, 172800, 230400, and 345600 baud rates are only displayed in the Standard Serial menu. These settings do not appear in the Serial Option 1, Serial Option 2, or Serial Option 3 menus.
Data Bits 8 7	Specifies the number of data bits sent in each transmission frame Note: 8 is the factory default setting.
Parity None Ignore Even Odd	Sets the parity for serial input and output data frames Note: None is the factory default setting.
Honor DSR Off On	Determines whether the printer uses the DSR Signal Notes: <ul style="list-style-type: none"> • Off is the factory default setting. • DSR is a handshaking signal used by most serial cables. The serial port uses DSR to distinguish data sent by the computer from data created by electrical noise in the serial cable. The electrical noise can cause stray characters to print. Set this to On to prevent stray characters from printing.

SMTP Setup menu

Menu item	Description
Primary SMTP Gateway	Specifies SMTP server gateway and port information Note: 25 is the default SMTP gateway port.
Primary SMTP Gateway Port	
Secondary SMTP Gateway	
Secondary SMTP Gateway Port	
SMTP Timeout 5–30	Specifies the amount of time in seconds before the server stops trying to send an e-mail Note: 30 seconds is the factory default setting.
Reply Address	Specifies a reply address of up to 128 characters in the e-mail sent by the printer

Menu item	Description
<p>Use SSL</p> <ul style="list-style-type: none"> Disabled Negotiate Required 	<p>Sets the printer to use SSL for increased security when connecting to the SMTP server</p> <p>Notes:</p> <ul style="list-style-type: none"> • Disabled is the factory default setting. • When the Negotiate setting is used, the SMTP server determines if SSL will be used.
<p>SMTP Server Authentication</p> <ul style="list-style-type: none"> No authentication required Login/Plain CRAM-MD5 Digest-MD5 NTLM Kerberos 5 	<p>Specifies the type of user authentication required for scan to e-mail privileges</p> <p>Note: “No authentication required” is the factory default setting.</p>
<p>Device-Initiated E-mail</p> <ul style="list-style-type: none"> None Use Device SMTP Credentials 	<p>Specifies what credentials will be used when communicating to the SMTP server. Some SMTP servers require credentials to send an e-mail.</p> <p>Notes:</p>
<p>User-Initiated E-mail</p> <ul style="list-style-type: none"> None Use Device SMTP Credentials Use Session User ID & Password Use Session E-mail address & Password Prompt User 	<ul style="list-style-type: none"> • None is the factory default setting for Device and User-Initiated E-mail. • Device Userid and Device Password are used to log in to the SMTP server when Use Device SMTP Credentials is selected.
<p>Device Userid</p>	
<p>Device Password</p>	
<p>Kerberos 5 Realm</p>	
<p>NTLM Domain</p>	

Security menu

Miscellaneous Security Settings menu

Menu item	Description
Login Restriction Login failures 1–10 Failure time frame 1–60 Lockout time 1–60 Panel Login Timeout 1–900 Remote Login Timeout 1–120	Limits the number and time frames of failed login attempts from the printer control panel before <i>all</i> users are locked out Notes: <ul style="list-style-type: none"> • “Login failures” specifies the number of failed login attempts before users are locked out. 3 attempts is the factory default setting. • “Failure time frame” specifies the time frame during which failed login attempts can be made before users are locked out. 5 minutes is the factory default setting. • “Lockout time” specifies how long users are locked out after exceeding the login failures limit. 5 minutes is the factory default setting. • Panel Login Timeout specifies how long the printer remains idle on the home screen before automatically logging the user off. 30 seconds is the factory default setting. • Remote Login Timeout specifies how long a remote interface (for example, a Web page) can remain idle before automatically logging the user off. 10 minutes is the factory default setting.

Confidential Print menu

Menu item	Description
Max Invalid PIN Off 2–10	Limits the number of times an invalid PIN can be entered Notes: <ul style="list-style-type: none"> • This menu appears only if a formatted, non-defective printer hard disk is installed. • Once the limit is reached, the print job for that user name and that PIN are deleted.
Confidential Job Expiration Off 1 hour 4 hours 24 hours 1 week	Limits the amount of time a confidential print job stays in the printer before it is deleted Notes: <ul style="list-style-type: none"> • If the Job Expiration setting is changed while confidential print jobs reside on the printer RAM or printer hard disk, then the expiration time for those print jobs does not change to the new default value. • If the printer is turned off, then all confidential jobs held in printer RAM are deleted.
Repeat Job Expiration Off 1 hour 4 hours 24 hours 1 week	Sets a time limit on how long the printer stores print jobs
Note: Off is the factory default setting.	

Menu item	Description
Verify Job Expiration Off 1 hour 4 hours 24 hours 1 week	Sets a time limit on how long the printer stores print jobs needing verification
Reserve Job Expiration Off 1 hour 4 hours 24 hours 1 week	Sets a time limit on how long the printer stores print jobs for printing at a later time
Note: Off is the factory default setting.	

Disk Wiping menu

Disk Wiping erases *only* print job data on the printer hard disk that *are not* currently in use by the file system. All permanent data on the printer hard disk are preserved, such as downloaded fonts, macros, and held jobs.

Note: This menu appears only if a formatted, non-defective printer hard disk is installed.

Menu item	Description
Wiping Mode Auto Manual Off	Disk Wiping erases <i>only</i> print job data that <i>is not</i> currently in use by the file system from the printer hard disk. All permanent data on the printer hard disk is preserved, such as downloaded fonts, macros, and held jobs. Notes: <ul style="list-style-type: none"> • Auto is the factory default setting. • Due to the large amount of resources required for Automatic Wiping, activating this option may decrease printer performance, especially if the printer requires hard disk space faster than it can be wiped and returned to service.
Manual Wiping Do not start now Start now	Manual Wiping overwrites all disk space that has been used to hold data from a print job that has been processed (printed). This type of wipe <i>does not</i> erase any information related to an unprocessed print job. Notes: <ul style="list-style-type: none"> • “Do not start now” is the factory default setting. • If the Disk Wiping access control is activated, then a user must successfully authenticate and have the required authorization in order to initiate the disk wipe.

Menu item	Description
Automatic Method Single pass Multiple pass	<p>Automatic wiping marks all disk space used by a previous print job and does not permit the file system to reuse this space until it has been cleared.</p> <p>Only Automatic wiping enables users to activate disk wiping without having to turn the printer off for an extended amount of time.</p> <p>Notes:</p> <ul style="list-style-type: none"> • “Single pass” is the factory default setting. • Highly confidential information should be wiped using <i>only</i> the Multiple pass method.
Manual Method Single pass Multiple pass	<p>Both manual and scheduled wiping allow the file system to reuse marked disk space without having to wipe it first.</p> <p>Notes:</p> <ul style="list-style-type: none"> • “Single pass” is the factory default setting. • Highly confidential information should be wiped using <i>only</i> the Multiple pass method.
Scheduled Method Single pass Multiple pass	<p>Both manual and scheduled wiping allow the file system to reuse marked disk space without having to wipe it first.</p> <p>Notes:</p> <ul style="list-style-type: none"> • “Single pass” is the factory default setting. • Highly confidential information should be wiped using <i>only</i> the Multiple Pass method . • Scheduled wipes are initiated <i>without</i> displaying a user warning or confirmation message.

Security Audit Log menu

Menu item	Description
Export Log	<p>Enables an authorized user to export the audit log</p> <p>Notes:</p> <ul style="list-style-type: none"> • To export the audit log from the printer control panel, a flash drive must be attached to the printer. • From the Embedded Web Server, the audit log can be downloaded to a computer.
Delete Log Yes No	<p>Specifies whether audit logs are deleted</p> <p>Note: “Yes” is the factory default setting.</p>

Menu item	Description
Configure Log Enable Audit No Yes Enable Remote Syslog No Yes Remote Syslog Facility 0–23 Severity of events to log 0–7	Specifies whether and how audit logs are created Notes: <ul style="list-style-type: none"> • Enable Audit determines if events are recorded in the secure audit log and remote syslog. No is the factory default setting. • Enable Remote Syslog determines if logs are sent to a remote server. No is the factory default setting. • Remote Syslog Facility determines the value used to send logs to the remote syslog server. 4 is the factory default setting. • With the security audit log activated, the severity value of each event is recorded. 4 is the factory default setting.

Set Date and Time menu

Menu item	Description
Current Date and Time	Shows the current date and time settings for the printer
Manually Set Date and Time [input date/time]	Notes: <ul style="list-style-type: none"> • Date and Time is set in YYYY-MM-DD HH:MM format. • Manually setting the date and time sets Enable NTP to Off.
Time Zone [list of time zones]	Note: GMT is the factory default setting.
Automatically observe DST On Off	Note: On is the factory default setting. This uses the applicable Daylight Saving Time associated with the Time Zone setting.
Enable NTP On Off	Enables Network Time Protocol, which synchronizes the clocks of devices on a network Notes: <ul style="list-style-type: none"> • On is the factory default setting. • The setting is turned off if you manually set the date and time.

Settings menu

General Settings menu

Menu item	Description
<p>Display Language</p> <ul style="list-style-type: none"> English Francais Deutsch Italiano Espanol Greek Dansk Norsk Nederlands Svenska Portuguese Suomi Russian Polski Magyar Turkce Cesky Simplified Chinese Traditional Chinese Korean Japanese 	<p>Sets the language of the text appearing on the display</p> <p>Note: Some languages may not be available for all printers.</p>
<p>Eco-Mode</p> <ul style="list-style-type: none"> Off Energy Energy/Paper Paper 	<p>Minimizes the use of energy, paper, or specialty media</p> <p>Notes:</p> <ul style="list-style-type: none"> • Off is the factory default setting. Off resets the printer to its factory default settings. • Energy minimizes the power used by the printer. Performance may be affected, but print quality is not. • Energy/Paper minimizes the use of power, paper and specialty media. • Paper minimizes the amount of paper and specialty media needed for a print job by duplexing each page. Performance may be affected, but print quality is not.

Menu item	Description
Quiet Mode Off On	Reduces the amount of noise produced by the printer Notes: <ul style="list-style-type: none"> • Off is the factory default setting. This setting supports the performance specifications of your printer. • On configures the printer to produce as little noise as possible. This setting is best suited for printing text and line graphics. • For optimal printing of color-rich documents, set Quiet Mode to Off. • Selecting Photo from the driver may disable Quiet Mode and provide better print quality and full speed printing.
Run Initial setup Yes No	Runs the setup wizard Notes: <ul style="list-style-type: none"> • Yes is the factory default setting. • After completing the setup wizard, the default value becomes No.
Keyboard Keyboard Type English Francais Francais Canadien Deutsch Italiano Espanol Greek Dansk Norsk Nederlands Svenska Suomi Portuguese Russian Polski Swiss German Swiss French Korean Magyar Turkce Cesky Simplified Chinese Traditional Chinese Japanese Custom Key 1	Specifies a language for the printer control panel keyboard.

Menu item	Description
<p>Paper Sizes</p> <ul style="list-style-type: none"> US Metric 	<p>Specifies the default paper measurement</p> <p>Notes:</p> <ul style="list-style-type: none"> • The initial setting is determined by your country or region selection in the initial setup wizard. • Changing this setting also changes the default for each input source in the Paper Size/Type menu. • When set to Metric, the printer supports letter-size and 11 x 17 paper in the standard 150-sheet tray and multipurpose feeder.
<p>Displayed Information</p> <ul style="list-style-type: none"> Left side Right side Custom Text [x] [x] Toner [x] Imaging Unit Fuser Transfer Module 	<p>Specifies what is displayed on the upper left and right corners of the home screen</p> <p>For the Left side and Right side menus, select from the following options:</p> <ul style="list-style-type: none"> None IP Address Hostname Contact Name Location Date/Time mDNS/DDNS Service Name Zero Configuration Name Custom Text [x] Model Name <p>For the [x] Toner, [x] Imaging Unit, Fuser, and Transfer Module menus, select from the following options:</p> <ul style="list-style-type: none"> When to display <ul style="list-style-type: none"> Do not display Display Message to Display <ul style="list-style-type: none"> Default Alternate Default <ul style="list-style-type: none"> [text entry] Alternate <ul style="list-style-type: none"> [text entry] <p>Notes:</p> <ul style="list-style-type: none"> • IP Address is the factory default setting for Left side. • Date/Time is the factory default setting for Right side. • “Do not display” is the factory default setting for “When to display.” • Default is the factory default setting for Message to Display.

Menu item	Description
<p>Displayed Information</p> <ul style="list-style-type: none"> Waste Toner Bottle Paper Jam Load Paper Service Errors 	<p>Lets you customize the displayed information for Waste Toner Bottle, Paper Jam, Load Paper, and Service Errors</p> <p>Select from the following options:</p> <ul style="list-style-type: none"> Display <ul style="list-style-type: none"> No Yes Message to Display <ul style="list-style-type: none"> Default Alternate Default <ul style="list-style-type: none"> [text entry] Alternate <ul style="list-style-type: none"> [text entry] <p>Notes:</p> <ul style="list-style-type: none"> • No is the factory default setting for Display. • Default is the factory default setting for Message to Display.
<p>Home screen customization</p> <ul style="list-style-type: none"> Change Language Search Held Jobs Held Jobs USB Drive Profiles and Solutions Bookmarks Jobs by user Forms and Favorites Eco-Settings Showroom Change Background 	<p>Lets you add or remove icons and buttons that appear on the home screen</p> <p>Available options for each icon or button are:</p> <ul style="list-style-type: none"> Display Do Not Display
<p>Date Format</p> <ul style="list-style-type: none"> [MM-DD-YYYY] [DD-MM-YYYY] [YYYY-MM-DD] 	<p>Specifies the format for the printer date</p>
<p>Time Format</p> <ul style="list-style-type: none"> 12 hour 24 hour 	<p>Specifies the format for the printer time</p> <p>Note: 12 hour is the factory default setting.</p>
<p>Screen Brightness</p> <ul style="list-style-type: none"> 20–100 	<p>Specifies the brightness of the printer control panel screen</p> <p>Note: 100 is the factory default setting.</p>

Menu item	Description
Audio Feedback Button Feedback On Off Volume 1–10	Sets the audio volume for the buttons Notes: <ul style="list-style-type: none"> • On is the factory default setting for Button Feedback. • 5 is the factory default setting for Volume.
Show Bookmarks Yes No	Determines whether or not the Bookmarks icon is displayed Notes: <ul style="list-style-type: none"> • Yes is the factory default setting. • The Bookmarks icon appears inside Held Jobs. If Show Bookmarks is set to No, then the Held Jobs icon is only displayed on the home screen if one or more held jobs exist in the printer.
Web Page Refresh Rate 30–300	Specifies the number of seconds between Embedded Web Server refreshes Note: 120 seconds is the factory default setting.
Contact Name	Specifies a contact name for the printer
Location	Specifies the location of the printer Note: The location will be stored on the Embedded Web Server.
Alarms Alarm Control Cartridge Alarm	Sets an alarm to sound when the printer requires user intervention Available options for each alarm type are: Single Continuous Off Notes: <ul style="list-style-type: none"> • Single is the factory default setting for Alarm Control and Cartridge Alarm. Single sounds three quick beeps. • Continuous repeats three beeps every 10 seconds. • Off means no alarm will sound.
Timeouts Standby Mode Disabled 1–240	Specifies the number of minutes of inactivity before the system enters a lower power state Note: 15 minutes is the factory default setting.

Menu item	Description
Timeouts Sleep Mode Disabled 1–240	Specifies the number of minutes of inactivity before some systems begin entering a minimum power state Notes: <ul style="list-style-type: none"> • 5 minutes is the factory default setting. • A lower setting conserves more energy, but may require longer warm-up times. • Select the lowest setting if the printer shares an electrical circuit with room lighting. • Select a high setting if the printer is in constant use. Under most circumstances, this keeps the printer ready to print with minimum warm-up time. • Sleep Mode does not interact with Standby Mode.
Timeouts Screen Timeout 15–300	Sets the amount of time (in seconds) the printer waits before returning to a Ready state Note: 30 is the factory default setting.
Timeouts Print Timeout Disabled 1–255	Sets the amount of time (in seconds) the printer waits to receive an end-of-job message before canceling the remainder of the print job Notes: <ul style="list-style-type: none"> • 90 is the factory default setting. • When the timer expires, any partially printed page still in the printer is printed, and then the printer checks to see if any new print jobs are waiting. • Print Timeout is available only when using PCL emulation. This setting has no effect on PostScript emulation print jobs.
Timeouts Wait Timeout Disabled 15–65535	Sets the amount of time (in seconds) the printer waits for additional data before canceling a print job Notes: <ul style="list-style-type: none"> • 40 is the factory default setting. • Wait Timeout is available only when the printer is using PostScript emulation. This setting has no effect on PCL emulation print jobs.
Timeouts Job Hold Timeout 5–255	Sets the amount of time (in seconds) the printer waits for user intervention before it holds jobs that require unavailable resources and continues to print other jobs in the print queue Notes: <ul style="list-style-type: none"> • 30 is the factory default setting. • This menu appears only when a printer hard disk is installed.

Menu item	Description
Print Recovery Auto Continue Disabled 5–255	Lets the printer handle print jobs even after the printer has gone offline within a specified time period. Note: Disabled is the factory default setting.
Print Recovery Jam Recovery Auto On Off	Specifies whether the printer reprints jammed pages Notes: <ul style="list-style-type: none"> • Auto is the factory default setting. The printer reprints jammed pages if there is still enough memory to perform the task. • On sets the printer to always reprint jammed pages. • Off sets the printer to never reprint jammed pages.
Print Recovery Page Protect Off On	Lets the printer successfully print a page that may not have printed otherwise Notes: <ul style="list-style-type: none"> • Off is the factory default setting. Off prints a partial page when there is not enough memory to print the whole page. • On sets the printer to process the whole page so that the entire page prints.
Press Sleep Button Sleep Hibernate Do Nothing	Determines how the printer, while in Idle state, reacts to a short press of the Sleep button Notes: <ul style="list-style-type: none"> • Sleep is the factory default setting for Press Sleep Button. • Sleep or Hibernate sets the printer to operate at a lower power configuration. • If the printer is in Sleep Mode, then the touch screen appears off and the Sleep button turns amber in color. • Touch anywhere on the touch screen or press a button on the printer control panel to exit Sleep Mode. • If the printer is in Hibernate mode, then the touch screen is completely off and the Sleep button turns amber in color and blinks.

Menu item	Description
Press and Hold Sleep Button Do Nothing Sleep Hibernate	Determines how the printer while in Idle state, reacts to a long press of the Sleep button Notes: <ul style="list-style-type: none"> • Do Nothing is the factory default setting. • Sleep or Hibernate sets the printer to operate at a lower power configuration. • If the printer is in Sleep Mode, then the touch screen appears off and the Sleep button turns amber in color. • Press and hold the Sleep button for 3 seconds or longer to enter Hibernate mode. • Touch anywhere on the touch screen or press a button on the printer control panel to exit Sleep Mode.
Factory Defaults Do Not Restore Restore Now	Returns the printer settings to the factory default settings Notes: <ul style="list-style-type: none"> • Do Not Restore is the factory default setting. Do Not Restore keeps the user-defined settings. • Restore Now returns all printer settings to the factory default settings except Network/Ports menu settings. All downloads stored in RAM are deleted. Downloads stored in flash memory or on a printer hard disk are not affected.

Flash Drive menu

Menu item	Description
Copies 1–999	Specifies a default number of copies for each print job Note: 1 is the factory default setting.
Paper Source Tray [x] MP Feeder Manual Paper Manual Envelope	Sets a default paper source for all print jobs Note: Tray 1 (standard tray) is the factory default setting.
Color Color Black Only	Generates color outputs Note: Color is the factory default setting.
Collate On (1,2,1,2,1,2) Off (1,1,1,2,2,2)	Stacks the pages of a print job in sequence when printing multiple copies Note: On is the factory default setting.
Sides (Duplex) 1 sided 2 sided	Specifies whether prints are on one side or on both sides of the paper Note: 1 sided is the factory default setting.

Menu item	Description
Duplex Binding Long Edge Short Edge	Defines the way duplex pages are bound and how the printing on the back of the page is oriented in relation to the printing on the front of the page Notes: <ul style="list-style-type: none"> • Long Edge is the factory default setting. Long edge assumes binding along the long edge of the page (left edge for portrait and top edge for landscape). • Short Edge assumes binding along the short edge of the page (top edge for portrait and left edge for landscape).
Paper Saver Orientation Auto Landscape Portrait	Specifies the orientation of a multiple-page document Notes: <ul style="list-style-type: none"> • Auto is the factory default setting. The printer chooses between portrait and landscape. • This setting applies if Paper Saver in this menu is not set to Off.
Paper Saver Off 2-Up 3-Up 4-Up 6-Up 9-Up 12-Up 16-Up	Specifies that multiple-page images be printed on one side of a paper Notes: <ul style="list-style-type: none"> • Off is the factory default setting. • The number selected is the number of page images that will print per side.
Paper Saver Border None Solid	Prints a border around each page image when using Paper Saver Notes: <ul style="list-style-type: none"> • None is the factory default setting. • This setting applies if Paper Saver in this menu is not set to Off.
Paper Saver Ordering Horizontal Reverse Horizontal Reverse Vertical Vertical	Specifies the positioning of multiple-page images when using Paper Saver Notes: <ul style="list-style-type: none"> • Horizontal is the factory default setting. • Positioning depends on the number of page images and whether they are in portrait or landscape orientation. • This setting applies if Paper Saver in this menu is not set to Off.

Menu item	Description
Separator Sheets Off Between Copies Between Jobs Between Pages	Specifies whether blank separator sheets are inserted Notes: <ul style="list-style-type: none"> • Off is the factory default setting. • Between Copies inserts a blank sheet between each copy of a print job if Collate is set to On. If Collate is set to Off, then a blank page is inserted between each set of printed pages, such as after all page 1's and after all page 2's. • Between Jobs inserts a blank sheet between print jobs. • Between Pages inserts a blank sheet between each page of the print job. This setting is useful when printing transparencies or when inserting blank pages in a document.
Separator Sheet Source Tray [x] Manual Feeder	Specifies the paper source for separator sheets Notes: <ul style="list-style-type: none"> • Tray 1 (standard tray) is the factory default setting. • From the Paper menu, Configure MP must be set to Cassette in order for Manual Feeder to appear as a menu setting.
Blank Pages Do Not Print Print	Specifies whether blank pages are inserted in a print job Note: Do Not Print is the factory default setting.

Setup menu

Menu item	Description
Printer Language PS Emulation PCL Emulation	Sets the default printer language Notes: <ul style="list-style-type: none"> • PS Emulation is the factory default printer language. • Setting a printer language as the default does not prevent a software program from sending print jobs that use another printer language.
Job Waiting Off On	Specifies that print jobs be removed from the print queue if they require unavailable printer options or custom settings. They are stored in a separate print queue, so other jobs print normally. When the missing information and/or options are obtained, the stored jobs print. Notes: <ul style="list-style-type: none"> • Off is the factory default setting. • This menu appears only when a non-read-only printer hard disk is installed. This requirement ensures that stored jobs are not deleted if the printer loses power.

Menu item	Description
Print Area Normal Whole Page	Sets the logical and physical printable area Notes: <ul style="list-style-type: none"> • Normal is the factory default setting. When attempting to print data in the non-printable area defined by the Normal setting, the printer clips the image at the boundary. • Whole Page allows the image to be moved into the non-printable area defined by the Normal setting, but the printer will clip the image at the Normal setting boundary. Whole Page only affects pages printed using a PCL 5e interpreter. This setting has no effect on pages printed using the PCL XL or PostScript interpreter.
Printer Usage Max Speed Max Yield	Sets color toner use in printing Notes: <ul style="list-style-type: none"> • Max Speed is the default printer setting. • The printer driver is capable of overriding this setting
Black Only Mode Off On	Sets the printer to print text and graphics using only the black print cartridge Note: Off is the factory default setting.
Download Target RAM Flash Disk	Sets the storage location for downloads Notes: <ul style="list-style-type: none"> • RAM is the factory default setting. Storing downloads in RAM is temporary. • Storing downloads in flash memory or on a printer hard disk places them in permanent storage. Downloads remain in flash memory or on the printer hard disk even when the printer is turned off. • This menu appears only when a flash and/or disk option is installed.
Resource Save Off On	Specifies how the printer handles temporary downloads, such as fonts and macros stored in RAM, when the printer receives a job that requires more memory than is available Notes: <ul style="list-style-type: none"> • Off is the factory default setting. Off sets the printer to retain the downloads only until memory is needed. Downloads are deleted in order to process print jobs. • On retains the downloads during language changes and printer resets. If the printer runs out of memory, then 38 Memory Full appears, and downloads are not deleted.
Print All Order Alphabetical Oldest First Newest First	Specifies the order in which held and confidential jobs are printed when Print All is selected Note: Alphabetical is the factory default setting. Print jobs always appear in alphabetical order on the printer control panel.

Job Accounting menu

Note: This menu item appears only if a formatted, non-defective printer hard disk is installed. The printer hard disk cannot be read/write- or write-protected.

Menu item	Description
Job Accounting Log Off On	Determines if the printer creates a log of the print jobs it receives Note: Off is the factory default setting.
Job Accounting Utilities	Lets you print and delete log files or export them to a flash drive
Accounting Log Frequency Monthly Weekly	Determines how often a log file is created Note: Monthly is the factory default setting.
Log Action at End of Frequency None E-mail Current Log E-mail & Delete Current Log Post Current Log Post & Delete Current Log	Determines how the printer responds when the frequency threshold expires Note: None is the factory default setting.
Disk Near Full Level 1–99 Off	Specifies the maximum size of the log file before the printer executes the Disk Near Full Action Note: 5MB is the factory default setting.
Disk Near Full Action None E-mail Current Log E-mail & Delete Current Log E-mail & Delete Oldest Log Post Current Log Post & Delete Current Log Post & Delete Oldest Log Delete Current Log Delete Oldest Log Delete All Logs Delete All But Current	Determines how the printer responds when the printer hard disk is nearly full Notes: <ul style="list-style-type: none"> • None is the factory default setting. • The value defined in Disk Near Full Level determines when this action is triggered.
Disk Full Action None E-mail & Delete Current Log E-mail & Delete Oldest Log Post & Delete Current Log Post & Delete Oldest Log Delete Current Log Delete Oldest Log Delete All Logs Delete All But Current	Determines how the printer responds when disk usage reaches the maximum limit (100MB) Note: None is the factory default setting.
URL to Post Logs	Determines where the printer posts job accounting logs

Menu item	Description
E-mail Address to Send Logs	Specifies the e-mail address to which the device sends job accounting logs
Log File Prefix	Note: The current host name defined in the TCP/IP menu is used as the default log file prefix.

Finishing menu

Menu item	Description
Sides (Duplex) 1 sided 2 sided	Specifies whether duplex (2-sided) printing is set as the default for all print jobs Notes: <ul style="list-style-type: none"> • 1 sided is the factory default setting. • You can set 2-sided printing from the software program. For Windows users, click File > Print, and then click Properties, Preferences, Options, or Setup. For Macintosh users, choose File > Print, and then adjust the settings from the print dialog and pop-up menus.
Duplex Binding Long Edge Short Edge	Defines the way duplexed pages are bound and how the printing on the back of the page is oriented in relation to the printing on the front of the page Notes: <ul style="list-style-type: none"> • Long Edge is the factory default setting. • Long edge assumes binding along the long edge of the page (left edge for portrait and top edge for landscape). • Short edge assumes binding along the short edge of the page (top edge for portrait and left edge for landscape).
Copies 1–999	Specifies a default number of copies for each print job Note: 1 is the factory default setting.
Blank Pages Do Not Print Print	Specifies whether blank pages are inserted in a print job Note: Do Not Print is the factory default setting.
Collate On (1,2,1,2,1,2) Off (1,1,1,2,2,2)	Stacks the pages of a print job in sequence when printing multiple copies Notes: <ul style="list-style-type: none"> • On is the factory default setting. No pages will be collated. • The On setting stacks the print job sequentially. • Both settings print the entire job the number of times specified by the Copies menu setting.

Menu item	Description
Separator Sheets Off Between Copies Between Jobs Between Pages	Specifies whether blank separator sheets are inserted Notes: <ul style="list-style-type: none"> • Off is the factory default setting. • Between Copies inserts a blank sheet between each copy of a print job if Collate is set to On. If Collate is set to Off, then a blank page is inserted between each set of printed pages, such as after all page 1's and after all page 2's. • Between Jobs inserts a blank sheet between print jobs. • Between Pages inserts a blank sheet between each page of the print job. This setting is useful when printing transparencies or inserting blank pages in a document for notes.
Separator Source Tray [x] Manual Feeder	Specifies the paper source for separator sheets Note: Tray 1 (standard tray) is the factory default setting.
Paper Saver Off 2-Up 3-Up 4-Up 6-Up 9-Up 12-Up 16-Up	Specifies that multiple-page images be printed on one side of a sheet of paper Notes: <ul style="list-style-type: none"> • Off is the factory default setting. • The number selected is the number of page images that will print on each page.
Paper Saver Ordering Horizontal Reverse Horizontal Reverse Vertical Vertical	Specifies the positioning of multiple-page images Notes: <ul style="list-style-type: none"> • Horizontal is the factory default setting. • Positioning depends on the number of images and whether the images are in portrait or landscape orientation.
Paper Saver Orientation Auto Landscape Portrait	Specifies the orientation of a multiple-page sheet Note: Auto is the factory default setting. The printer chooses between portrait and landscape.
Paper Saver Border None Solid	Prints a border on each page image Note: None is the factory default setting.

Quality menu

Menu item	Description
Print Mode Color Black Only	Specifies whether images are printed in monochrome grayscale or in color Note: Color is the factory default setting.
Color Correction Auto Off Manual	Adjusts the color output on the printed page Notes: <ul style="list-style-type: none"> • Auto is the factory default setting. Auto applies different color conversion tables to each object on the printed page. • Off turns off color correction. • Manual allows customization of the color tables using the settings available from the Manual Color menu. • Due to the differences in additive and subtractive colors, certain colors that appear on computer monitors are impossible to duplicate on the printed page.
Print Resolution 1200 Image Q	Specifies the printed output resolution
Toner Darkness 1–5	Lightens or darkens the printed output Notes: <ul style="list-style-type: none"> • 4 is the factory default setting. • Selecting a smaller number can help conserve toner. • If Print Mode is set to Black Only, a setting of 5 increases toner density and darkness to all print jobs. • If Print Mode is set to Color, a setting of 5 is the same as a setting of 4.
Enhance Fine Lines Off On	Enables a print mode preferable for files such as architectural drawings, maps, electrical circuit diagrams, and flow charts Notes: <ul style="list-style-type: none"> • Off is the factory default setting. • You can set this option from the software program. For Windows users, click File > Print, and then click Properties, Preferences, Options, or Setup. For Macintosh users, choose File > Print, and then adjust the settings from the print dialog and pop-up menus. • To set Enhance Fine Lines using the Embedded Web Server, type the network printer IP address in the address field of your Web browser.
Color Saver Off On	Reduces the amount of toner used for graphics and images. The amount of toner used for text is not reduced. Notes: <ul style="list-style-type: none"> • Off is the factory default setting. • On overrides Toner Darkness settings.

Menu item	Description
RGB Brightness -6 to 6	Adjusts brightness in color outputs Notes: <ul style="list-style-type: none"> • 0 is the factory default setting. • -6 is the maximum decrease. 6 is the maximum increase. • This does not affect files where CMYK color specifications are being used.
RGB Contrast 0–5	Adjusts contrast in color outputs Notes: <ul style="list-style-type: none"> • 0 is the factory default setting. • This does not affect files where CMYK color specifications are being used.
RGB Saturation 0–5	Adjusts saturation in color outputs Notes: <ul style="list-style-type: none"> • 0 is the factory default setting. • This does not affect files where CMYK color specifications are being used.
Color Balance Cyan -5 to 5 Magenta -5 to 5 Yellow -5 to 5 Black -5 to 5 Reset Defaults	Adjusts color in printed output by increasing or decreasing the amount of toner being used for each color Note: 0 is the factory default setting.
Color Samples sRGB Display sRGB Vivid Display—True Black Vivid Off—RGB US CMYK Euro CMYK Vivid CMYK Off—CMYK	Prints sample pages for each of the RGB and CMYK color conversion tables used in the printer Notes: <ul style="list-style-type: none"> • Selecting any setting prints the sample. • Color samples consist of a series of colored boxes along with the RGB or CMYK combination that creates the color observed. These pages can be used to help decide which combinations to use to get the desired printed output. • From a browser window, type the IP address of the printer to access a complete list of color sample pages from the Embedded Web Server.

Menu item	Description
<p>Manual Color</p> <ul style="list-style-type: none"> RGB Image <ul style="list-style-type: none"> Vivid sRGB Display Display True Black sRGB Vivid Off RGB Text <ul style="list-style-type: none"> Vivid sRGB Display Display True Black sRGB Vivid Off RGB Graphics <ul style="list-style-type: none"> Vivid sRGB Display Display True Black sRGB Vivid Off 	<p>Customizes the RGB color conversions</p> <p>Notes:</p> <ul style="list-style-type: none"> • sRGB Display is the factory default setting for RGB Image. This applies a color conversion table to an output that matches the colors displayed on a computer monitor. • sRGB Vivid is the factory default setting for RGB Text and RGB Graphics. sRGB Vivid applies a color table that increases saturation. This is preferred for business graphics and text. • Vivid applies a color conversion table that produces brighter, more saturated colors. • Display—True Black applies a color conversion table that uses only black toner for neutral gray colors. • Off turns off color conversion.
<p>Manual Color</p> <ul style="list-style-type: none"> CMYK Image <ul style="list-style-type: none"> US CMYK Euro CMYK Vivid CMYK Off CMYK Text <ul style="list-style-type: none"> US CMYK Euro CMYK Vivid CMYK Off CMYK Graphics <ul style="list-style-type: none"> US CMYK Euro CMYK Vivid CMYK Off 	<p>Customizes the CMYK color conversions</p> <p>Notes:</p> <ul style="list-style-type: none"> • US CMYK is the US factory default setting. US CMYK applies a color conversion table that tries to produce output that matches SWOP color output. • Euro CMYK is the international factory default setting. Euro CMYK applies a color conversion table that tries to produce output that matches EuroScale color output. • Vivid CMYK increases color saturation for the US CMYK color conversion table. • Off turns off color conversion.
<p>Spot Color Replacement</p>	<p>Provides the capability to assign specific CMYK values to named spot colors</p>
<p>Color Adjust</p>	<p>Initiates a recalibration of color conversion tables and allows the printer to make adjustments for color variations in output</p> <p>Notes:</p> <ul style="list-style-type: none"> • Adjusting color starts when the menu is selected. Adjusting appears on the display until the process is finished. • Color variations in output sometimes result from changeable conditions such as room temperature and humidity. Color adjustments are made on printer algorithms. Color alignment is also recalibrated in this process.

Utilities menu

Menu item	Description
Remove Held Jobs Confidential Held Not Restored All	Removes confidential and held jobs from the printer hard disk Notes: <ul style="list-style-type: none"> • Selecting a setting affects only print jobs that are resident in the printer. Bookmarks, print jobs on flash drives, and other types of held jobs are not affected. • Not Restored removes all Print and Hold jobs that are <i>not</i> restored from the printer hard disk or memory.
Format Flash Yes No	Formats the flash memory Warning—Potential Damage: Do not turn off the printer while the flash memory is being formatted. Notes: <ul style="list-style-type: none"> • Yes deletes all data stored in flash memory. • No cancels the format request. • Flash memory refers to the memory added by installing a flash memory option card in the printer. • A flash memory option card must be installed in the printer and operating properly for this menu item to be available. • The flash memory option card must not be read/write- or write-protected.
Delete Downloads on Disk Delete Now Do Not Delete	Removes downloads from the printer hard disk, including all held jobs, buffered jobs, and parked jobs Notes: <ul style="list-style-type: none"> • Delete Now configures the printer control panel to return to the originating screen after the deletion process is completed. • Do Not Delete sets the printer control panel to return to the main Utilities menu.
Activate Hex Trace	Assists in isolating the source of a print job problem Notes: <ul style="list-style-type: none"> • When activated, all data sent to the printer is printed in hexadecimal and character representation, and control codes are not executed. • To exit or deactivate Hex Trace, turn the printer off or reset the printer.
Coverage Estimator Off On	Provides an estimate of the percentage coverage of toner on a page. The estimate is printed on a separate page at the end of each print job. Note: Off is the factory default setting.

XPS menu

Menu item	Description
Print Error Pages Off On	Prints a page containing information on errors, including XML markup errors Note: Off is the factory default setting.

PDF menu

Menu item	Description
Scale to Fit No Yes	Scales page content to fit the selected paper size Note: No is the factory default setting.
Annotations Do Not Print Print	Prints annotations in a PDF Note: Do Not Print is the factory default setting.

PostScript menu

Menu item	Description
Print PS Error Off On	Prints a page containing the PostScript error Note: Off is the factory default setting.
Lock PS Startup Mode Off On	Enables users to disable the SysStart file Note: Off is the factory default setting.
Font Priority Resident Flash/Disk	Establishes the font search order Notes: <ul style="list-style-type: none"> Resident is the factory default setting. This menu item is available only if a formatted flash memory option card or printer hard disk is installed and operating properly. Make sure the flash memory option or printer hard disk is not read/write-, write-, or password-protected. Job Buffer Size must not be set to 100%.
Image Smoothing Off On	Enhances the contrast and sharpness of low-resolution images and smooths their color transitions Notes: <ul style="list-style-type: none"> Off is the factory default setting. Image Smoothing has no effect on images that are 300 dpi or higher in resolution.

PCL Emul menu

Menu item	Description
Font Source Resident Disk Download Flash All	Specifies the set of fonts used by the Font Name menu item Notes: <ul style="list-style-type: none"> Resident is the factory default setting. Resident shows the factory default set of fonts downloaded in RAM. Flash and Disk settings show all fonts resident in that option. The Flash option must be properly formatted and cannot be read/write-, write-, or password-protected. Download shows all the fonts downloaded in RAM. All shows all fonts available to any option.
Font Name Courier 10	Identifies a specific font and the option where it is stored Note: Courier 10 is the factory default setting. Courier 10 shows the font name, font ID, and the storage location in the printer. The font source abbreviation is R for Resident, F for Flash, K for Disk, and D for download.
Symbol Set 10U PC-8 12U PC-850	Specifies the symbol set for each font name Notes: <ul style="list-style-type: none"> 10U PC-8 is the US factory default setting. 12U PC-850 is the international factory default setting. A symbol set is a set of alphabetic and numeric characters, punctuation, and special symbols. Symbol sets support the different languages or specific programs such as math symbols for scientific text. Only the supported symbol sets are shown.
PCL Emulation Settings Point Size 1.00–1008.00	Changes the point size for scalable typographic fonts Notes: <ul style="list-style-type: none"> 12 is the factory default setting. Point Size refers to the height of the characters in the font. One point equals approximately 1/72 of an inch. Point sizes can be increased or decreased in 0.25-point increments.
PCL Emulation Settings Pitch 0.08–100	Specifies the font pitch for scalable monospaced fonts Notes: <ul style="list-style-type: none"> 10 is the factory default setting. Pitch refers to the number of fixed-space characters per inch (cpi). Pitch can be increased or decreased in 0.01-cpi increments. For nonscalable monospaced fonts, the pitch appears on the display but cannot be changed.

Menu item	Description
PCL Emulation Settings Orientation Portrait Landscape	Specifies the orientation of text and graphics on the page Notes: <ul style="list-style-type: none"> • Portrait is the factory default setting. Portrait prints text and graphics parallel to the short edge of the page. • Landscape prints text and graphics parallel to the long edge of the page.
PCL Emulation Settings Lines per Page 1–255 60 64	Specifies the number of lines that print on each page Notes: <ul style="list-style-type: none"> • 60 is the US factory default setting. 64 is the international default setting. • The printer sets the amount of space between each line based on the Lines per Page, Paper Size, and Orientation settings. Select the desired Paper Size and Orientation before setting Lines per Page.
PCL Emulation Settings A4 Width 198 mm 203 mm	Sets the printer to print on A4-size paper Notes: <ul style="list-style-type: none"> • 198 mm is the factory default setting. • The 203-mm setting sets the width of the page to allow the printing of eighty 10-pitch characters.
PCL Emulation Settings Auto CR after LF Off On	Specifies whether the printer automatically performs a carriage return (CR) after a line feed (LF) control command Note: Off is the factory default setting.
PCL Emulation Settings Auto LF after CR Off On	Specifies whether the printer automatically performs a line feed (LF) after a carriage return (CR) control command Note: Off is the factory default setting.
Tray Renumber Assign MP Feeder Off None 0–199 Assign Tray [x] Off None 0–199 Assign Manual Paper Off None 0–199 Assign Manual Env Off None 0–199	Configures the printer to work with printer software or programs that use different source assignments for trays, drawers, and feeders Notes: <ul style="list-style-type: none"> • Off is the factory default setting. • None is not an available selection. It is only displayed when it is selected by the PCL 5 interpreter. It also ignores the Select Paper Feed command. • 0–199 allows a custom setting to be assigned.

Menu item	Description
Tray Renumber View Factory Defaults None	Displays the factory default setting assigned to each tray, drawer, or feeder
Tray Renumber Restore Defaults Yes No	Returns all tray, drawer, and feeder assignments to the factory default settings

HTML menu

Menu Item	Description
Font Name Albertus MT Antique Olive Apple Chancery Arial MT Avant Garde Bodoni Bookman Chicago Clarendon Cooper Black Copperplate Coronet Courier Eurostile Garamond Geneva Gill Sans Goudy Helvetica Hoefler Text Intl CG Times Intl Courier Intl Univers	Joanna MT Letter Gothic Lubalin Graph Marigold MonaLisa Recut Monaco New CenturySbk New York Optima Oxford Palatino StempelGaramond Taffy Times TimesNewRoman Univers Zapf Chancery NewSansMTCS NewSansMTCT New SansMTJA NewSansMTKO
	Sets the default font for HTML documents Note: The Times font is used in HTML documents that do not specify a font.

Menu item	Description
Font Size 1–255 pt	Sets the default font size for HTML documents Notes: <ul style="list-style-type: none"> • 12 pt is the factory default setting. • Font size can be increased in 1-point increments.

Menu item	Description
Scale 1–400%	Scales the default font for HTML documents Notes: <ul style="list-style-type: none"> • 100% is the factory default setting. • Scaling can be increased in 1% increments.
Orientation Portrait Landscape	Sets the page orientation for HTML documents Note: Portrait is the factory default setting.
Margin Size 8–255 mm	Sets the page margin for HTML documents Notes: <ul style="list-style-type: none"> • 19 mm is the factory default setting. • Margin size can be increased in 1-mm increments.
Backgrounds Print Do Not Print	Specifies whether to print backgrounds on HTML documents Note: Print is the factory default setting.

Image menu

Menu item	Description
Auto Fit On Off	Selects the optimal paper size, scaling, and orientation Note: On is the factory default setting. It overrides scaling and orientation settings for some images.
Invert Off On	Inverts bi-tonal monochrome images Notes: <ul style="list-style-type: none"> • Off is the factory default setting. • This setting does not apply to GIF or JPEG images.
Scaling Best Fit Anchor Center Fit Height/Width Fit Height Fit Width Anchor Top Left	Scales the image to fit the selected paper size Notes: <ul style="list-style-type: none"> • Best Fit is the factory default setting. • When Auto Fit is set to On, Scaling is automatically set to Best Fit.
Orientation Portrait Landscape Rev Portrait Rev Landscape	Sets the image orientation Note: Portrait is the factory default setting.

Help menu

The Help menu consists of a series of Help pages that are stored in the printer as PDF files. They contain information about using the printer and performing printing tasks.

English, French, German, and Spanish translations are stored in the printer. Other translations are available on the Lexmark Web site at www.lexmark.com.

Menu item	Description
Print All Guides	Prints all the guides
Color Quality	Provides information about adjusting and customizing color printing
Print Quality	Provides information about solving print quality issues
Printing Guide	Provides information about loading paper and other speciality media
Media Guide	Provides a list of the paper sizes supported in trays, drawers, and feeders
Print Defects Guide	Provides help in determining the printer part causing a repetitive defect
Menu Map	Provides a list of the printer control panel menus and settings
Information Guide	Provides help in locating additional information
Connection Guide	Provides information about connecting the printer locally (USB) or to a network
Moving Guide	Provides instructions for safely moving the printer
Supplies Guide	Provides part numbers for ordering supplies

Securing the memory before moving the printer

Statement of Volatility

Your printer contains various types of memory that are capable of storing device and network settings, information from embedded solutions, and user data. The types of memory—along with the types of data stored by each—are described below.

- **Volatile memory**—Your device utilizes standard *Random Access Memory* (RAM) to temporarily buffer user data during simple print and copy jobs.
- **Non-volatile memory**—Your device may utilize two forms of non-volatile memory: EEPROM and NAND (flash memory). Both types are used to store the operating system, device settings, network information, scanner and bookmark settings, and embedded solutions.
- **Hard disk memory**—Some devices have a hard disk drive installed. The printer hard disk is designed for device-specific functionality and cannot be used for long term storage for data that is not print-related. The hard disk does not provide the capability for users to extract information, create folders, create disk or network file shares, or FTP information directly from a client device. The hard disk can retain buffered user data from complex scan, print, copy, and fax jobs, as well as form data, and font data.

There are several circumstances under which you might wish to erase the contents of the memory devices installed in your printer. A partial list includes:

- The printer is being decommissioned
- The printer hard drive is being replaced
- The printer is being moved to a different department or location
- The printer is being serviced by someone from outside your organization
- The printer is being removed from your premises for service
- The printer is being sold to another organization

Disposing of a hard drive

Note: Not all printers have a hard disk installed.

In high-security environments, it may be necessary to take additional steps to ensure that confidential data stored on the printer hard disk cannot be accessed once the printer—or its hard disk—is removed from your premises. While most data can be erased electronically, you may want to consider one or more of the following actions before disposing of a printer or hard disk:

- **Degaussing**—Flushes the hard drive with a magnetic field that erases stored data
- **Crushing**—Physically compresses the hard disk to break component parts and render them unreadable
- **Milling**—Physically shreds the hard disk into small metal bits

Note: While most data can be erased electronically, the only way to guarantee that all data is completely erased is to physically destroy each memory device on which data could have been stored.

Erasing volatile memory

The volatile memory (RAM) installed on your printer requires a power source to retain information. To erase the buffered data, simply power down the device.

Erasing non-volatile memory

- **Individual settings, device and network settings, security settings, and embedded solutions**—Erase information and settings by selecting Wipe All Settings in the Configuration menu.
- **Fax data**—Erase fax settings and data by selecting Wipe All Settings in the Configuration menu.

1 Turn off the printer.

2 Hold down **2_{ABC}** and **6_{MNO}** while turning the printer on. Release the buttons only when the screen with the progress bar appears.

The printer performs a power-on sequence, and then the Configuration menu appears. When the printer is fully powered up, the touch screen displays a list of functions, instead of the standard home screen icons.

3 Touch **Wipe All Settings**.

The printer will reboot several times during this process.

Note: Wipe All Settings securely removes device settings, solutions, jobs, faxes, and passwords on the printer.

4 Touch **Back > Exit Config Menu**.

The printer will power-on reset, and then return to normal operating mode.

Erasing printer hard disk memory

Note: Your printer may not have a hard disk installed.

Configuring Disk Wiping in the printer menus enables you to remove residual confidential material left by scan, print, copy, and fax jobs, by securely overwriting files that have been marked for deletion.

Using the printer control panel

1 Turn off the printer.

2 Hold down **2_{ABC}** and **6_{MNO}** while turning the printer on. Release the buttons only when the screen with the progress bar appears.

The printer performs a power-on sequence, and then the Configuration menu appears. When the printer is fully powered up, the touch screen displays a list of functions, instead of the standard home screen icons.

3 Touch **Wipe Disk**, and then touch one of the following:

- **Wipe disk (fast)**—This lets you overwrite the disk with all zeroes in a single pass.
- **Wipe disk (secure)**—This lets you overwrite the disk with random bit patterns several times, followed by a verification pass. A secure overwrite is compliant with the DoD 5220.22-M standard for securely erasing data from a hard disk. Highly confidential information should be wiped using this method.

4 Touch **Yes** to proceed with disk wiping. A status bar will indicate the progress of the disk wiping task.

Note: Disk wiping can take from several minutes to more than an hour, during which the printer will be unavailable for other user tasks.

5 Touch **Back > Exit Config Menu**.

The printer will power-on reset, and then return to normal operating mode.

Configuring printer hard disk encryption

Note: Your printer may not have a hard disk installed.

Enabling hard disk encryption helps prevent the loss of sensitive data in the event your printer or its hard disk is stolen.

Using the Embedded Web Server

- 1 From the Embedded Web Server, click **Settings > Security > Disk Encryption**.

Note: Disk Encryption appears in the Security Menu only when a formatted, non-defective printer hard disk is installed.

- 2 From the Disk encryption menu, select **Enable**.

Notes:

- Enabling disk encryption will erase the content of the printer hard disk.
- Disk encryption can take from several minutes to more than an hour, during which the printer will be unavailable for other user tasks.

- 3 Click **Submit**.

Using the printer control panel

- 1 Turn off the printer.

- 2 Hold down **2 ABC** and **6 MNO** while turning the printer on. Release the buttons only when the screen with the progress bar appears.

The printer performs a power-on sequence, and then the Configuration menu appears. Once the printer is fully powered up, the touch screen displays a list of functions, instead of standard home screen icons such as Copy or Fax.

- 3 Touch **Disk Encryption > Enable**.

Note: Enabling disk encryption will erase the contents of the printer hard disk.

- 4 Touch **Yes** to proceed with disk wiping.

A status bar will indicate the progress of the disk wiping task. After the disk has been encrypted, the printer will return to the Enable/Disable screen.

Notes:

- Do not turn off the printer during the encryption process. Doing so may result in loss of data.
- Disk encryption can take from several minutes to more than an hour, during which the printer will be unavailable for other user tasks.


- 5 Touch **Back**, and then **Exit Config Menu**.

The printer will power-on reset, and then return to normal operating mode.

Maintaining the printer

Cleaning the exterior of the printer

- 1 Make sure that the printer is turned off and unplugged from the wall outlet.

 **CAUTION—SHOCK HAZARD:** To avoid the risk of electric shock when cleaning the exterior of the printer, unplug the power cord from the wall outlet and disconnect all cables to the printer before proceeding.

- 2 Remove paper from the standard exit bin.
- 3 Dampen a clean, lint-free cloth with water.

Warning—Potential Damage: Do not use household cleaners or detergents, as they may damage the finish of the printer.

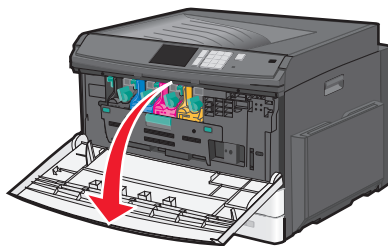
- 4 Wipe only the outside of the printer, making sure to include the standard exit bin.

Warning—Potential Damage: Using a damp cloth to clean the interior may cause damage to your printer.

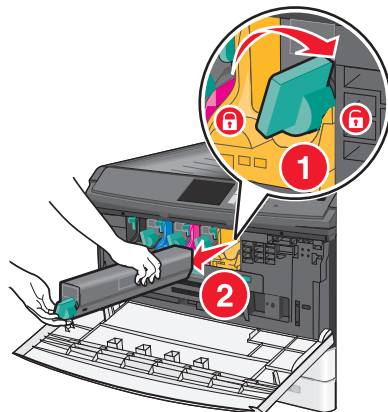
- 5 Make sure the paper support and standard exit bin are dry before beginning a new print job.

Cleaning the printhead lenses

- 1 Open the front door.

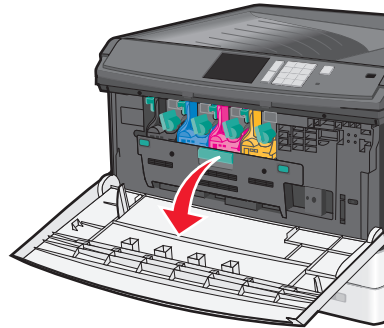


- 2 Turn the toner lock lever to the right and pull the toner cartridge out.

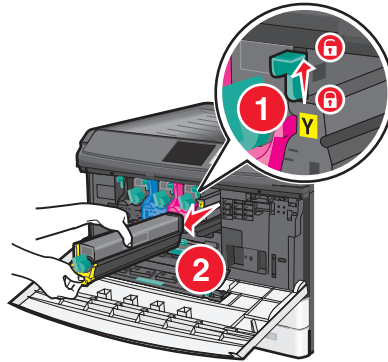
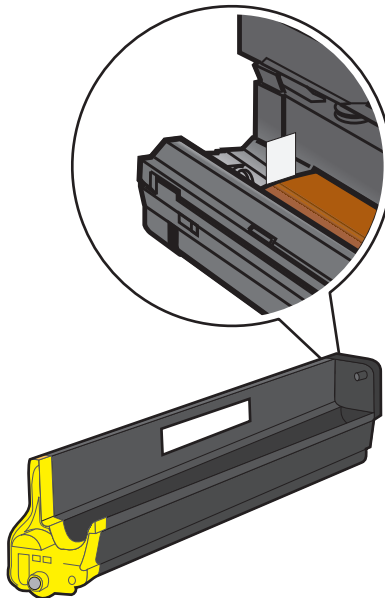


3 Remove the imaging unit:

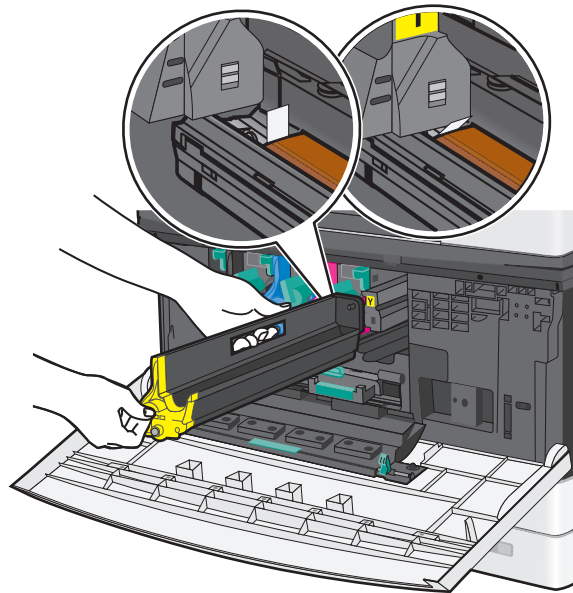
- a** Open the internal cover.



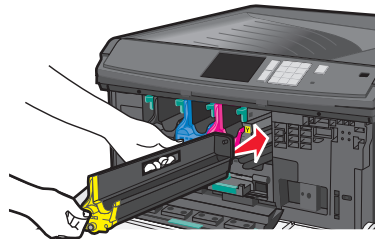
- b** Push the imaging unit lock lever up and pull out the imaging unit.

**4** Locate the LED wipe at the end of the imaging unit. Make sure it is in the correct position.

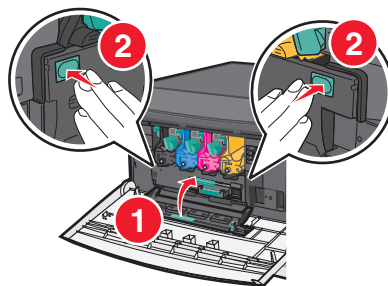
- 5** Reinstall the imaging unit. When inserted into the printer, the LED wipe will rub across the row of LEDs, thus cleaning the printhead lenses.



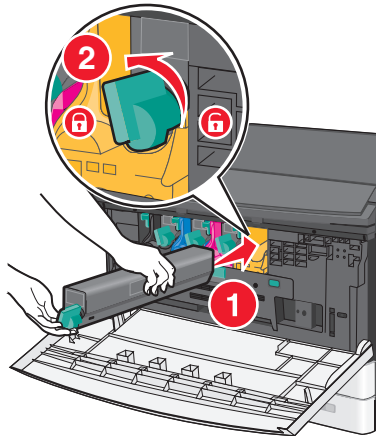
- a** Insert the imaging unit into the printer until it *clicks* into place.



- b** Using both hands, push the sides of the internal cover firmly until the cover *clicks* into place.

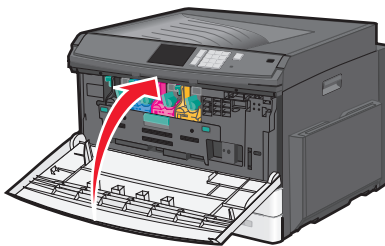


6 Insert the toner cartridge into the printer and then turn the toner lock lever to the left.



7 Repeat step 2–6 to for all imaging units.

8 Close the front door.



Storing supplies

Choose a cool, clean storage area for the printer supplies. Store supplies right side up in their original packing until you are ready to use them.

Do not expose supplies to:

- Direct sunlight
- Temperatures above 35°C (95°F)
- High humidity above 80%
- Salty air
- Corrosive gases
- Heavy dust

Checking the status of supplies

Checking the status of supplies from the printer control panel

From the home screen, touch **Status/Supplies > View Supplies**.

Checking the status of supplies from a network computer

Note: The computer must be connected to the same network as the printer.

- 1 Type the printer IP address into the address field of your Web browser.

If you do not know the IP address of the printer, you can:

- View the IP address on the printer control panel in the TCP/IP section under the Networks/Ports menu.
- Print a network setup page or the menu settings pages and locate the IP address in the TCP/IP section.

- 2 Click **Device Status**.

The Device Status page appears, displaying a summary of supply levels.

Ordering supplies

To order supplies in the U.S., contact Lexmark at 1-800-539-6275 for information about Lexmark authorized supplies dealers in your area. In other countries or regions, visit the Lexmark Web site at www.lexmark.com or contact the place where you purchased the printer.

Note: All life estimates for printer supplies assume printing on letter- or A4-size plain paper.

Ordering toner cartridges

When **88.xx [color] cartridge low, or 88.xx [color] cartridge nearly low** appears, order a new cartridge.

When **88.2x Replace [color] cartridge** appears, replace the specified cartridge.

Estimated cartridge yield is based on the ISO/IEC 19798 standard (with about 5% coverage per color). Extremely low print coverage (less than 1.25% for a color) for extended periods of time may negatively affect actual yield for that color and may cause cartridge parts to fail prior to exhaustion of toner.

Recommended toner cartridges and part numbers

Part name	Part number
Black high-yield toner cartridge	C925H2KG
Yellow high-yield toner cartridge	C925H2YG
Magenta high-yield toner cartridge	C925H2MG
Cyan high-yield toner cartridge	C925H2CG

Ordering imaging units

When **84.xx [Color] imaging unit low, or 84.xx [Color] imaging unit nearly low** appears, order a replacement imaging unit.

When **84.xx Replace [color] imaging unit and [color] cartridge** appears, replace the specified imaging unit and toner cartridge.

Recommended imaging units and part numbers

Part name	Part number
Black imaging unit	C925X72G
Yellow imaging unit	C925X75G
Magenta imaging unit	C925X74G
Cyan imaging unit	C925X73G

Ordering a fuser or a transfer module

When **80.xx Fuser life warning**, **80.xx Fuser near life warning**, or **83.xx Transfer module life warning** appears, order a replacement fuser or a transfer module.

When **80.xx Replace fuser** or **83.xx Replace transfer module** appears, install the new fuser or the new transfer module. For installation information, see the documentation that came with the part.

Part name	Part number
Fuser	40X6013 (110 volts) 40X6093 (220 volts)
Transfer module	40X6011

Ordering a waste toner bottle

When **82.xx Waste toner bottle nearly full** appears, order a replacement waste toner bottle.

When **82.xx Replace waste toner bottle** appears, replace the waste toner bottle.

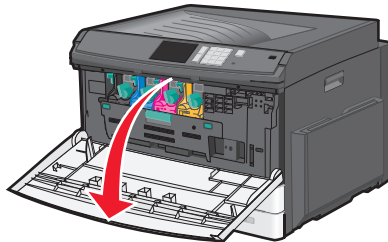
Note: Waste toner bottle reuse is not recommended.

Part name	Part number
Waste toner bottle	C925X76G

Replacing Supplies

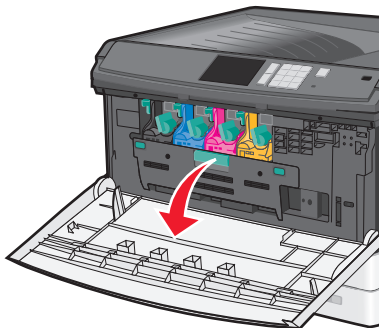
Replacing an imaging unit

- 1 Open the front door.

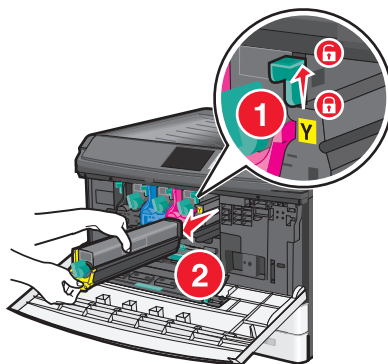


Warning—Potential Damage: To avoid overexposing the imaging units, do not leave the door open for more than 10 minutes.

- 2 Open the internal cover.

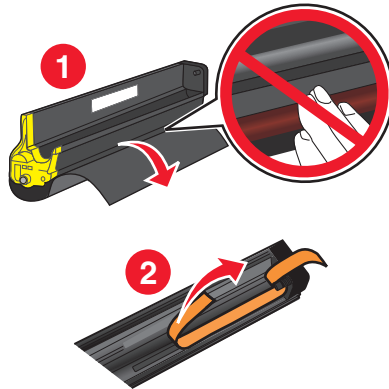


- 3 Push the imaging unit lock lever up and pull out the imaging unit with the toner cartridge attached to it.

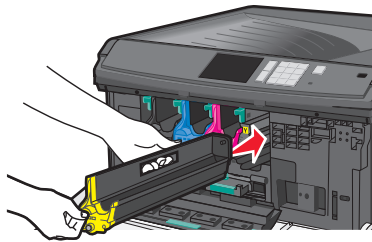


- 4 Unpack the replacement imaging unit.

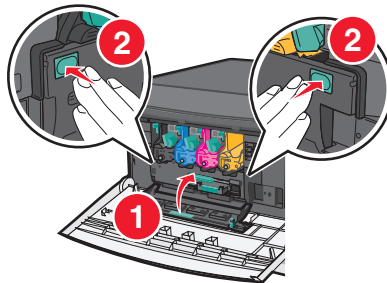
5 Peel off the black protective sheet and the toner sealing tape.



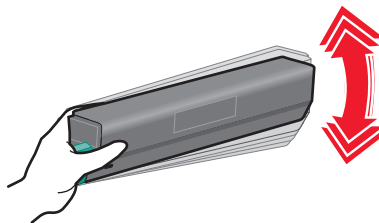
6 Insert the imaging unit into the printer until it *clicks* it into place.



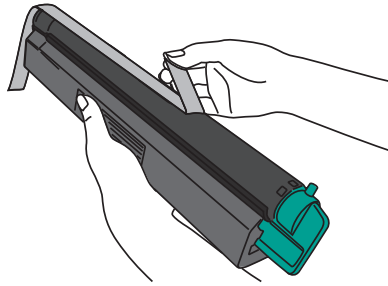
7 Using both hands, push the sides of the internal cover firmly until the cover *clicks* into place.



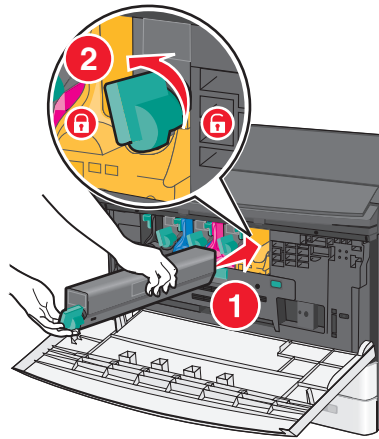
8 Unpack the toner cartridge, and then shake it to redistribute the toner.



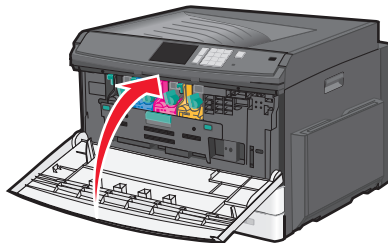
- 9 Peel off the toner sealing tape.



- 10 Insert the toner cartridge and turn the lock lever to the left.



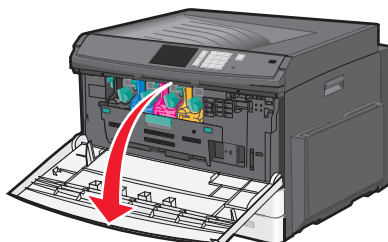
- 11 Close the front door.



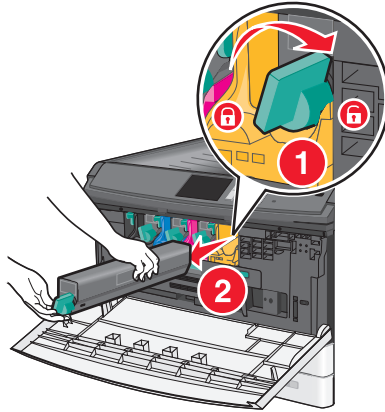
Replacing a toner cartridge

- 1 Open the front door.

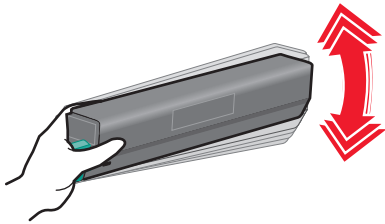
Warning—Potential Damage: To avoid overexposing the imaging units, do not leave the door open for more than 10 minutes.



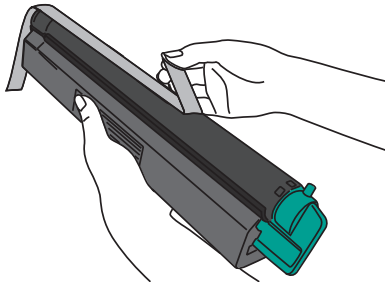
- 2 Turn the toner lock lever to the right and pull the toner cartridge out.



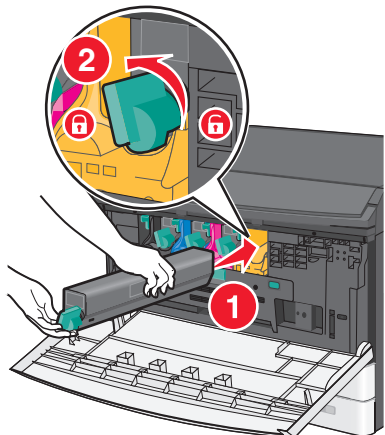
- 3 Unpack the toner cartridge, and then shake it to redistribute the toner.



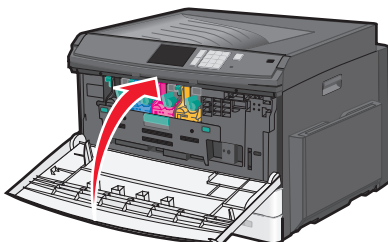
- 4 Peel off the toner sealing tape.



- 5 Insert the new cartridge into the printer and then turn the toner lock lever to the left.

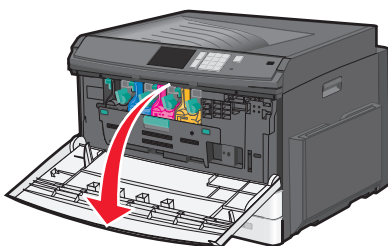


6 Close the front door.

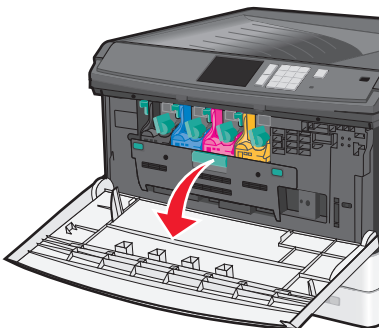


Replacing the waste toner bottle

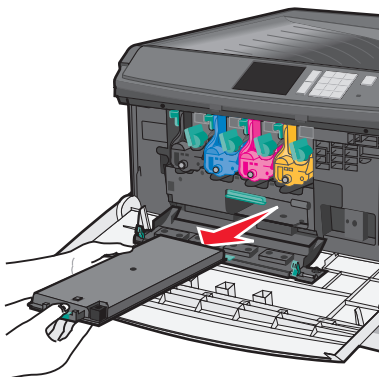
- 1 Turn the printer off.
- 2 Open the front door.



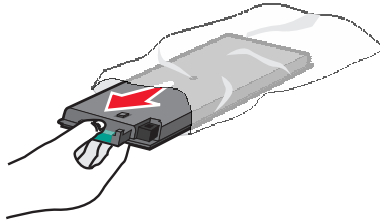
3 Open the internal cover.



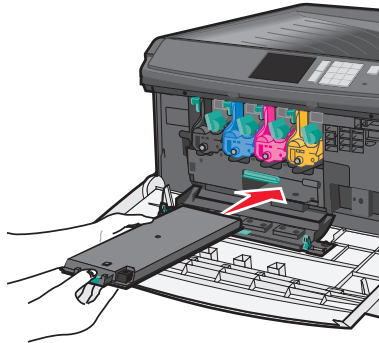
4 Pull out the used waste toner bottle.



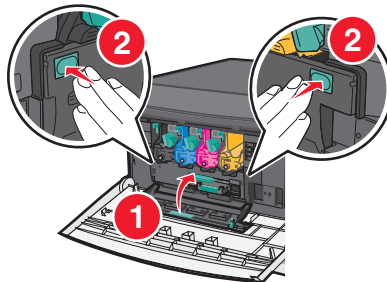
- 5 Unpack the new waste toner bottle.



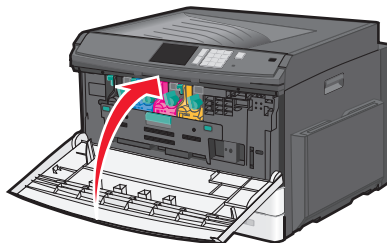
- 6 Insert the new waste toner bottle into the printer.



- 7 Using both hands, push the sides of the internal cover firmly until it *clicks* into place.



- 8 Close the front door.



- 9 From the printer control panel, reset the Waste Toner Bottle counter in the Supplies menu.

Moving the printer

Before moving the printer



CAUTION—POTENTIAL INJURY: The printer weight is greater than 18 kg (40 lb) and requires two or more trained personnel to lift it safely.



CAUTION—POTENTIAL INJURY: Before moving the printer, follow these guidelines to avoid personal injury or printer damage:

- Turn the printer off using the power switch, and then unplug the power cord from the electrical outlet.
- Disconnect all cords and cables from the printer before moving it.
- Lift the printer off the optional tray, and then set it aside instead of trying to lift the tray and printer at the same time.

Note: Use the handholds located on both sides of the printer to lift it.

Warning—Potential Damage: Damage to the printer caused by improper moving is not covered by the printer warranty.

Moving the printer to another location

The printer and options can be safely moved to another location by following these precautions:

- Any cart used to move the printer must have a surface able to support the full footprint of the printer. Any cart used to move the options must have a surface able to support the dimensions of the options.
- Keep the printer in an upright position.
- Avoid severe jarring movements.

Shipping the printer

When shipping the printer, use the original packaging or call the place of purchase for a relocation kit.

Administrative support

Finding advanced networking and administrator information

This chapter covers basic administrative support tasks using the Embedded Web Server. For more advanced system support tasks, see the *Networking Guide* on the *Software and Documentation CD* and the *Embedded Web Server Administrator's Guide* on the Lexmark Web site at <http://support.lexmark.com>.

Using the Embedded Web Server

If the printer is installed on a network, then the Embedded Web Server is available for a range of functions including:

- Viewing a virtual display of the printer control panel
- Checking the status of the printer supplies
- Configuring printer settings
- Configuring network settings
- Viewing reports

To access the Embedded Web Server for your printer:

- 1 Type the printer IP address into the address field of your Web browser.

Notes:

- If you do not know the IP address of the printer, then print a network setup page, and then locate the IP address in the TCP/IP section.
- If you are using a proxy server, then temporarily disable it to load the Embedded Web Server correctly.

- 2 Press **Enter**.

Checking the virtual display

The virtual display works as an actual display would work on a printer control panel, showing printer messages.

To access the Embedded Web Server, type the printer IP address into the address field of your Web browser.

Note: If you do not know the IP address of the printer, then you can:

- View the IP address on the printer control panel in the TCP/IP section under the Networks/Ports menu.
- Print a network setup page or the menu settings pages and locate the IP address in the TCP/IP section.

The virtual display appears in the top left corner of the screen.

Checking the printer status

You can view paper tray settings, the level of toner in the toner cartridges, the percentage of life remaining in the maintenance kit, and capacity measurements of certain printer parts from the Device Status page of the Embedded Web Server.

- 1 Type the printer IP address in the address field of your Web browser.

Note: If you do not know the IP address of the printer, then you can:

- View the IP address on the printer control panel in the TCP/IP section under the Networks/Ports menu.
- Print a network setup page or the menu settings pages and locate the IP address in the TCP/IP section.

- 2 Click **Device Status**.

Viewing reports

You can view some reports from the Embedded Web Server. These reports are useful for assessing the status of the printer, the network, and supplies.

To view reports from a network printer:

- 1 Type the printer IP address into the address field of your Web browser.

If you do not know the IP address of the printer you can:

- View the IP address on the printer control panel in the TCP/IP section under the Networks/Ports menu.
- Print a network setup page or the menu settings pages and locate the IP address in the TCP/IP section.

- 2 Click **Reports**, and then click the type of report you want to view.

Restoring factory default settings

If you want to retain a list of the current menu settings for reference, then print a menu settings page before restoring the factory default settings.

Warning—Potential Damage: Restoring factory defaults returns most printer settings to the original factory default settings. Exceptions include the display language, custom sizes and messages, and network/port menu settings. All downloads stored in RAM are deleted. Downloads stored in flash memory or on a printer hard disk are not affected.

From the home screen, navigate to:

 > **Settings** > **General Settings** > **Factory Defaults** > **Restore Now** > 

Clearing jams

By carefully selecting paper and specialty media and loading it properly, you can avoid most jams. If jams do occur, follow the steps outlined in this chapter.

If Jam Recovery is set to On, then the printer prints a new copy of the page that jammed. If Jam Recovery is set to Auto, then the printer reprints the jammed page if enough printer memory is available.

Note: Jam recovery is set to Auto by default.

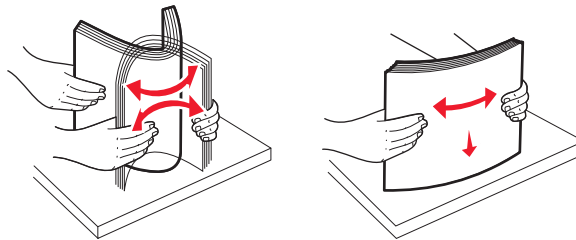
Avoiding jams

Paper tray recommendations

- Make sure the paper lies flat in the tray.
- Do not remove a tray while the printer is printing.
- Do not load a tray while the printer is printing. Load it prior to printing, or wait for a prompt to load it.
- Do not load too much paper. Make sure the stack height does not exceed the indicated maximum height.
- Make sure the guides in the tray or the multipurpose feeder are properly positioned and are not pressing too tightly against the paper or envelopes.
- Push the tray in firmly after loading paper.

Paper recommendations

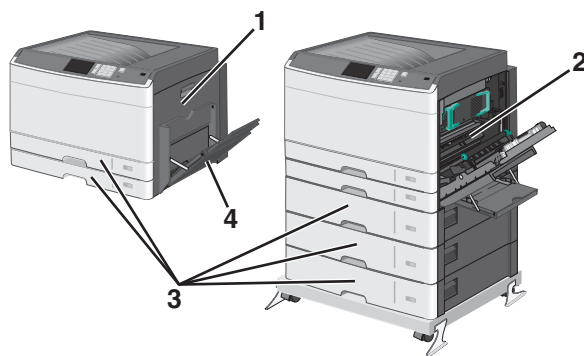
- Use only recommended paper or specialty media.
- Do not load wrinkled, creased, damp, bent, or curled paper.
- Flex and straighten paper before loading it.



- Do not use paper that has been cut or trimmed by hand.
- Do not mix paper sizes, weights, or types in the same stack.
- Make sure all sizes and types are set correctly in the printer control panel menus.
- Store paper per manufacturer recommendations.

Understanding jam numbers and locations


When a jam occurs, a message indicating the jam location appears on the display. Open doors and covers and remove trays to access jam locations. To resolve any paper jam message, you must clear all jammed paper from the paper path.



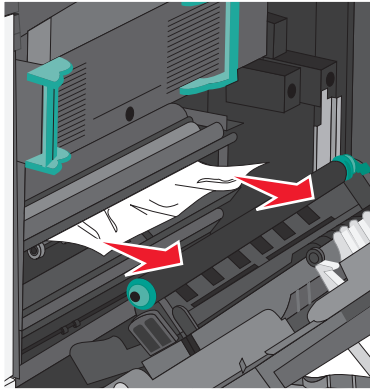
Area	Jam numbers	What to do
1	200	Open the side cover, and then remove any jams.
	201	Open the side cover, and then remove any jams.
	203	Open the side cover, and then remove any jams.
2	230	<ol style="list-style-type: none"> 1 Open the side cover. 2 Lower the duplex unit, and then remove any jams.
	231-239	<ol style="list-style-type: none"> 1 Open the side cover. 2 Lower the duplex unit, and then remove any jams.
3	24x	<ol style="list-style-type: none"> 1 Open the side cover, and then remove any jams. 2 Open each tray, and then remove any jams.
4	250	<ol style="list-style-type: none"> 1 Remove all media from the multipurpose feeder. 2 Flex and stack the media. 3 Reload paper or media in the multipurpose feeder. 4 Adjust the paper guides. 5 Touch Continue, jam cleared.

200 paper jam

1 Open the side door.

 **CAUTION—HOT SURFACE:** The inside of the printer might be hot. To reduce the risk of injury from a hot component, allow the surface to cool before touching.

2 Pull the jammed paper up and out to remove it from the paper path.



Notes:


- Make sure all paper fragments are removed.
- If the page is in the fuser, the fuser nip release lever should be lowered and should be switched to envelope mode.
- After removing the jammed page, return the lever to the proper position.

3 Close the side door.

4 Touch **Continue, jam cleared**.

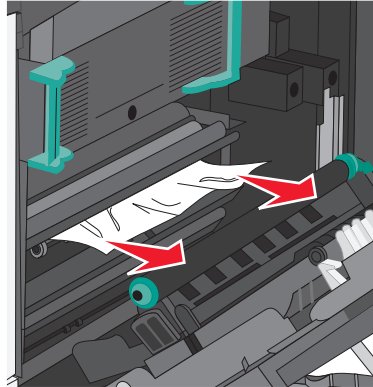
201 paper jam

- 1 Open the side door.

 **CAUTION—HOT SURFACE:** The inside of the printer might be hot. To reduce the risk of injury from a hot component, allow the surface to cool before touching.

- 2 Determine where the jam is located, and then remove it:

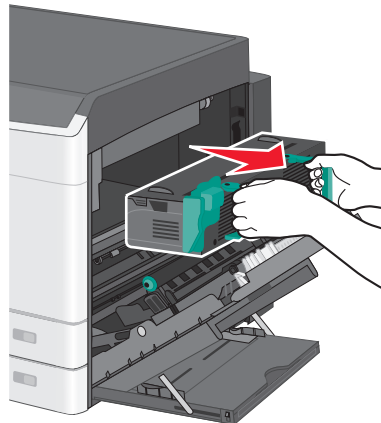
- a If the paper is visible under the fuser, then grasp it on each side and pull it out.



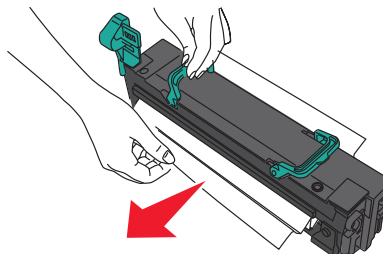
- b If the paper is not visible, then you will need to remove the fuser unit.

Warning—Potential Damage: Do not touch the center of the fuser unit. Doing so will damage the fuser.

- 1 Lift the handles on each side of the fuser, and then pull to remove the fuser unit.

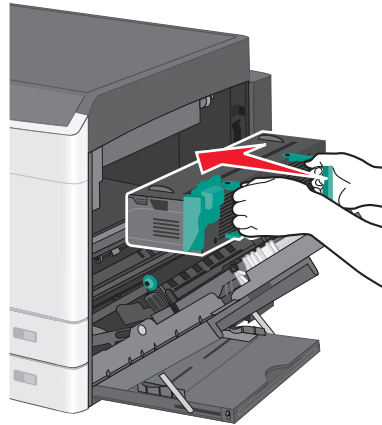


- 2 Remove the jammed paper.



Notes:

- Make sure all paper fragments are removed.
 - Pull the jammed paper downwards.
 - If the paper is in the fuser, then the fuser nip release lever should be lowered and should be switched to envelope mode.
 - After removing the jammed paper, return the lever to the proper position.
- 3** Align the fuser unit using the handles on each side, and then place it back into the printer.

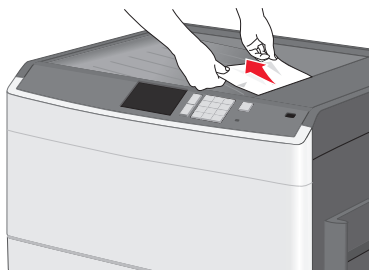


3 Close the side door.

4 Touch **Continue, jam cleared**.

203 paper jam

1 Grasp any jammed paper visible in the standard exit bin, and then gently pull it out.


**Notes:**

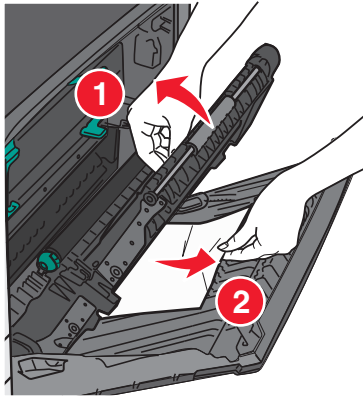
- Make sure all paper fragments are removed.
- If the page is in the fuser, then the fuser nip release lever should be lowered and should be switched to envelope mode.
- After removing the jammed page, return the lever to the proper position.

2 Touch **Continue, jam cleared**.

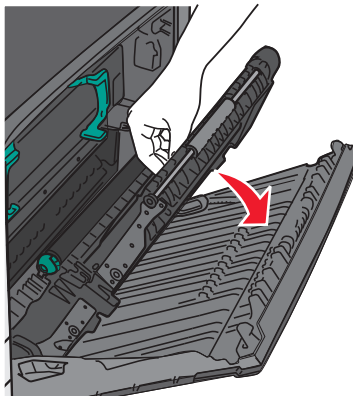
230 paper jam

- 1 Open the side door.
- 2 Hold onto the handles of the duplexing unit, open the cover, and then remove any jammed paper.

 **CAUTION—HOT SURFACE:** The inside of the printer might be hot. To reduce the risk of injury from a hot component, allow the surface to cool before touching.




- 3 Close the cover on the duplexing unit.

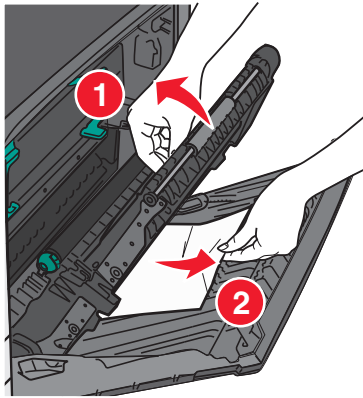


- 4 Close the side door.
- 5 Touch **Continue, jam cleared.**

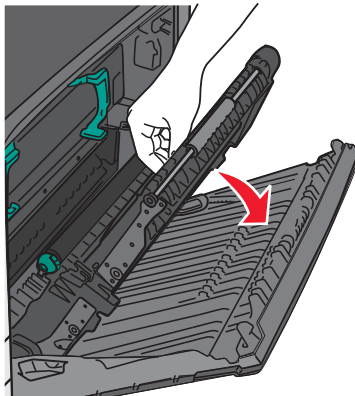
231–239 paper jams

- 1 Open the side door.
- 2 Hold onto the handles of the duplexing unit, open the cover, and then remove any jammed paper.

 **CAUTION—HOT SURFACE:** The inside of the printer might be hot. To reduce the risk of injury from a hot component, allow the surface to cool before touching.



3 Close the cover of the duplexing unit.



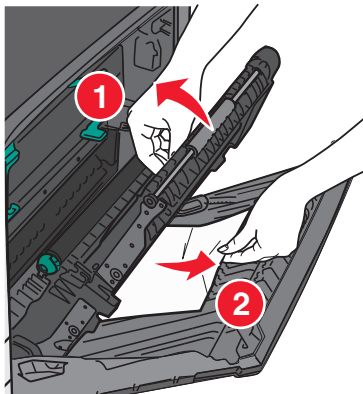
4 Close the side door.

5 Touch **Continue, jam cleared.**

24x paper jam

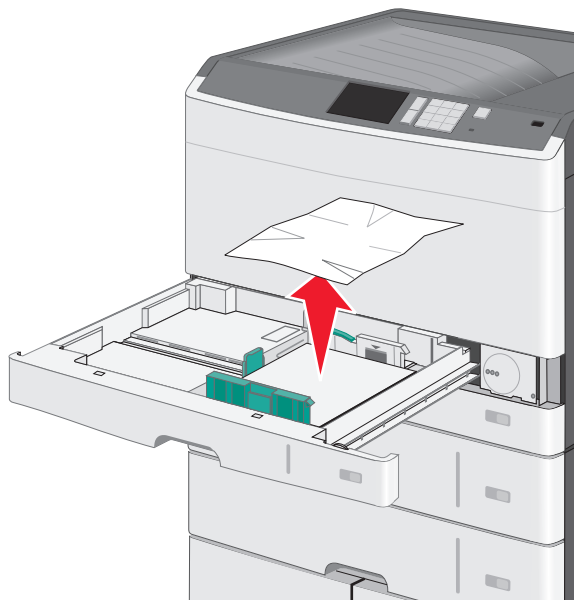
Paper jam in Tray 1

1 Check the side access door to trays and then pull the jammed pages out.



Note: Make sure all paper fragments are removed.

- 2 Open Tray 1, and then pull the jammed pages straight up and out.

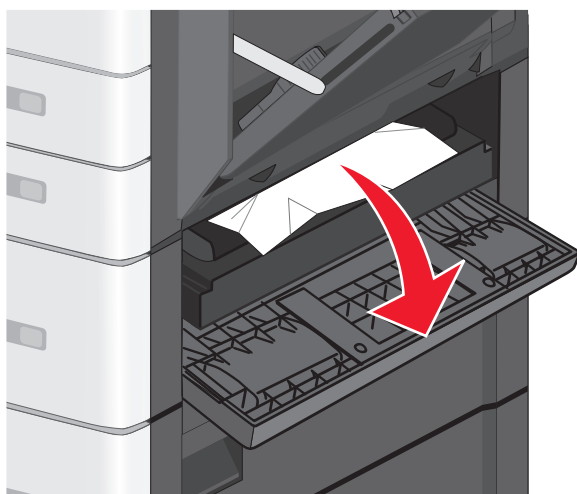


Note: Make sure all paper fragments are removed.

- 3 Close Tray 1.
- 4 Touch **Continue, jam cleared.**

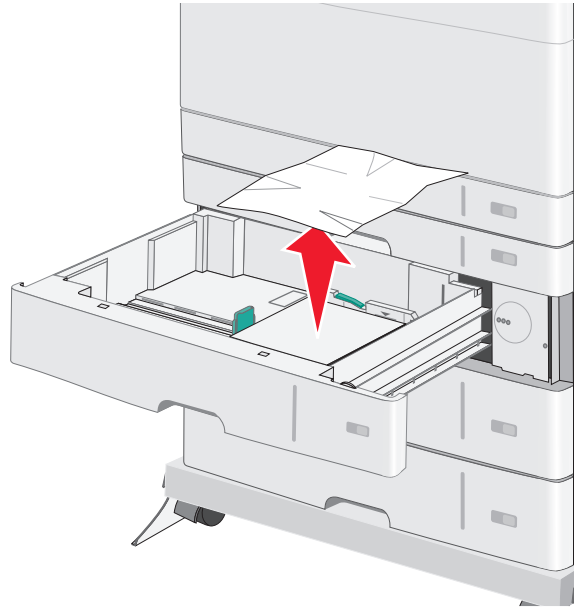
Paper jam in one of the optional trays

- 1 Check the side access door to trays and then pull the jammed pages out.



Note: Make sure all paper fragments are removed.

- 2 Open the specified tray, and then pull the jammed pages out.

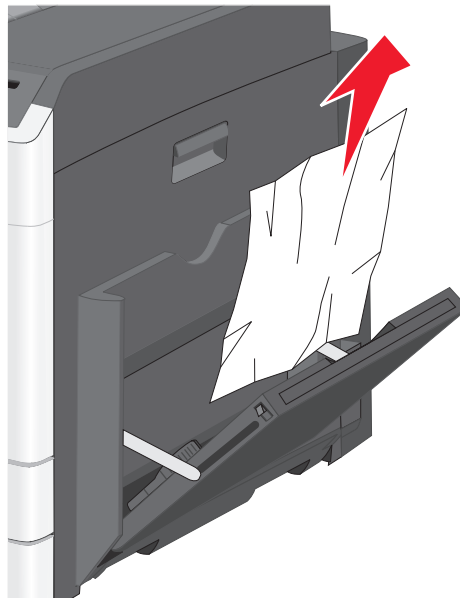


Note: Make sure all paper fragments are removed.

- 3 Close the tray.
- 4 Touch **Continue, jam cleared.**

250 paper jam

- 1 Remove any jammed pages from the multipurpose feeder.



- 2 Load paper into the multipurpose feeder.
- 3 Touch **Continue, jam cleared.**

Troubleshooting

Checking an unresponsive printer

If your printer is not responding, make sure:

- The power cord is plugged into the printer and a properly grounded electrical outlet.
- The electrical outlet is not turned off by any switch or breaker.
- The printer is not plugged into any surge protectors, uninterrupted power supplies, or extension cords.
- Other electrical equipment plugged into the outlet is working.
- The printer is turned on.
- The printer cable is securely attached to the printer and the host computer, print server, option, or other network device.

Once you have checked each of these possibilities, turn the printer off and then back on. This often fixes the problem.

Understanding printer messages

Adjusting color

Wait for the process to complete.

An error has occurred with the USB drive. Please remove and reinsert drive.

Try one or more of the following:

- Remove and reinsert the flash drive.
- If the error message remains, the flash memory may be defective and require replacement.

Change [paper source] to [custom type name]

Try one or more of the following:

- Touch **Use current [paper source]** to ignore the message and print from the selected tray.
- Load the correct paper size and type in the tray, verify the paper size and type settings are specified in the printer control panel Paper menu, and then touch **Paper changed, continue**.
- Touch **Cancel job** to cancel the print job.

Change [paper source] to [custom type name] load [orientation]

Try one or more of the following:

- Touch **Use current [paper source]** to ignore the message and print from the selected tray.
- Load the correct paper size and type in the tray, verify the paper size and type settings are specified in the printer control panel Paper menu, and then touch **Paper changed, continue**.

- Touch **Cancel job** to cancel the print job.

Change [paper source] to [custom string]

Try one or more of the following:

- Touch **Use current [paper source]** to ignore the message and print from the selected tray.
- Load the correct paper size and type in the tray, verify the paper size and type settings are specified in the printer control panel Paper menu, and then touch **Paper changed, continue**.
- Touch **Cancel job** to cancel the print job.

Change [paper source] to [custom string] load [orientation]

Try one or more of the following:

- Touch **Use current [paper source]** to ignore the message and print from the selected tray.
- Load the correct paper size and type in the tray, verify the paper size and type settings are specified in the printer control panel Paper menu, and then touch **Paper changed, continue**.
- Touch **Cancel job** to cancel the print job.

Change [paper source] to [paper size] [paper type]

Try one or more of the following:

- Touch **Use current [paper source]** to ignore the message and print from the selected tray.
- Load the correct paper size and type in the tray, verify the paper size and type settings are specified in the printer control panel Paper menu, and then touch **Paper changed, continue**.
- Touch **Cancel job** to cancel the print job.

Change [paper source] to [paper size] [paper type] load [orientation]

Try one or more of the following:

- Touch **Use current [paper source]** to ignore the message and print from the selected tray.
- Load the correct paper size and type in the tray, verify the paper size and type settings are specified in the printer control panel Paper menu, and then touch **Paper changed, continue**.
- Touch **Cancel job** to cancel the print job.

Close [tray] door

Close the specified tray door.

Close front or side door

Close the front or side door of the printer.

Disk corrupted

The printer attempted a hard disk recovery on a corrupted hard disk, and the hard disk cannot be repaired. The hard disk must be reformatted.

Touch **Format disk** to reformat the printer hard disk and clear the message.

Note: Formatting deletes all the files stored on the printer hard disk.

Disk near full. Securely clearing disk space.

Try one or more of the following:

- Touch **Continue** to clear the message and continue printing.
- Delete fonts, macros, and other data stored on the printer hard disk.
- Install a hard disk with higher capacity.

Disk problem

The printer hard disk must be reformatted.

Touch **Format disk** to reformat the printer hard disk and clear the message.

Note: Formatting deletes all the files stored on the printer hard disk.

Error reading USB drive. Remove USB.

An unsupported USB device has been inserted. Remove the USB device, and then install a supported one.

Insert Tray [x]

Insert the specified tray into the printer.

Install Tray [x]

Try one or more of the following:

- Install the specified tray:
 - 1 Turn the printer off.
 - 2 Unplug the power cord from the wall outlet.
 - 3 Install the specified tray.
 - 4 Connect the power cord to a properly grounded electrical outlet.
 - 5 Turn the printer back on.
- Cancel the print job.

Load [src] with [custom type name]

Try one or more of the following:

- Load the specified paper in the tray or feeder.
- Touch **Paper loaded, continue** to clear the message and continue printing.

If the printer finds a tray that has the correct paper type and size, it feeds from that tray. If the printer cannot find a tray with the correct paper type and size, it prints from the default paper source.

- Cancel the print job.

Load [src] with [custom string]

Try one or more of the following:

- Load the specified paper in the tray or feeder.
- Touch **Paper loaded, continue** to clear the message and continue printing.

If the printer finds a tray that has the correct paper type and size, it feeds from that tray. If the printer cannot find a tray with the correct paper type and size, it prints from the default paper source.

- Cancel the print job.

Load [src] with [size]

Try one or more of the following:

- Load the specified paper in the tray or feeder.
- Touch **Paper loaded, continue** to clear the message and continue printing.

If the printer finds a tray that has the correct paper type and size, it feeds from that tray. If the printer cannot find a tray with the correct paper type and size, it feeds from the default paper source.

- Cancel the print job.

Load [src] with [type] [size]

Try one or more of the following:

- Load the specified paper in the tray or feeder.
- Touch **Paper loaded, continue** to clear the message and continue printing.

If the printer finds a tray that has the correct paper type and size, it feeds from that tray. If the printer cannot find a tray with the correct paper type and size, it feeds from the default paper source.

- Cancel the print job.

Load Manual Feeder with [custom type name]

Try one or more of the following:

- Load the specified paper in the manual feeder.
- Touch **Prompt each page, paper loaded** or **Do not prompt, paper loaded** to clear the message and continue printing.
- Touch **Automatically select paper** to use the paper loaded in the tray.
- Cancel the print job.

Load Manual Feeder with [custom string]

Try one or more of the following:

- Load the specified paper in the manual feeder.
- Touch **Prompt each page, paper loaded** or **Do not prompt, paper loaded** to clear the message and continue printing.
- Touch **Automatically select paper** to use the paper loaded in the tray.
- Cancel the print job.

Load Manual Feeder with [paper size]

Try one or more of the following:

- Load the specified paper in the manual feeder.
- Touch **Prompt each page, paper loaded** or **Do not prompt, paper loaded** to clear the message and continue printing.
- Touch **Automatically select paper** to use the paper loaded in the tray.
- Cancel the print job.

Load Manual Feeder with [paper type] [paper size]

Try one or more of the following:

- Load the specified paper in the manual feeder.
- Touch **Prompt each page, paper loaded** or **Do not prompt, paper loaded** to clear the message and continue printing.
- Touch **Automatically select paper** to use the paper loaded in the tray.
- Cancel the print job.

Paper changes needed

Try one or more of the following:

- Touch **Use current supplies** to clear the message and continue printing.
- Cancel the current print job.

Remove paper from standard output bin

Remove the stack of paper from the standard exit bin.

Restore held jobs?

Try one or more of the following:

- Touch **Restore** to restore all held jobs stored on the printer hard disk.
- Touch **Do not restore** if you do not want any print jobs to be restored.

Some held jobs were not restored

Touch **Continue** to delete the specified job.

Note: Held jobs that are not restored stay on the hard disk and are inaccessible.

Supply needed to complete job

A supply needed to complete the job is missing. Touch **Cancel** to clear the message.

Tray [x] paper size unsupported

The paper size in the specified tray is unsupported. Replace it with a supported paper size.

Unsupported disk

An unsupported disk has been inserted. Remove the unsupported disk, and then install a supported one.

30.xx Missing [color] cartridge and/or [color] imaging unit

Try one or more of the following:

- Remove and reinstall the specified toner cartridge or imaging unit. For instructions on removing a toner cartridge or imaging unit, touch **More information**.
- Install a new toner cartridge or imaging unit, following the instruction sheet that came with the replacement part.

31.xx Missing or defective [color] cartridge

Try one or more of the following:

- 1 Remove and reinstall the specified print cartridge.

For instructions on removing a print cartridge, touch **More Information**.

- 2 Touch **Continue** to clear the message.

Note: If the message is not cleared, then replace the defective print cartridge.

32.xx [color] cartridge part number unsupported by device

Remove the unsupported toner cartridge, and then install a supported one.

34 Incorrect paper size, open [src]

Try one or more of the following:

- Load the appropriate paper or specialty media in the proper tray.
- Confirm that the wheel on tray 1 is set to the paper size loaded in the tray. Make sure this size is the size you are trying to print.
- Touch **Continue** to clear the message and print using a different tray.
- Check length and width guides of the tray and make sure the paper is properly loaded in the tray.

- Make sure the Print Properties or Print dialog settings have the correct paper size and type.
- Check that the paper size is correctly set. For example, if the MP Feeder Size is set to Universal, make sure the paper is large enough for the data being printed.
- Cancel the print job.

35 Insufficient memory to support Resource Save feature

Try one or more of the following:

- Touch **Continue** to disable Resource Save and continue printing.
- To enable Resource Save after receiving this message, make sure the link buffers are set to Auto, and then exit the menus to activate the link buffer changes. When **Ready** appears, enable Resource Save.
- Install additional memory.

36 Printer service required

Touch **Continue** to clear the message or contact customer support.

37 Insufficient memory to collate job

Try one or more of the following:

- Touch **Continue** to print the portion of the job already stored and begin collating the rest of the print job.
- Cancel the current print job.

37 Insufficient memory for Flash Memory Defragment operation

Try one or more of the following:

- Touch **Continue** to stop the defragment operation and continue printing.
- Delete fonts, macros, and other data in printer memory.
- Install additional printer memory.

37 Insufficient memory, some held jobs will not be restored

The printer deleted some held jobs in order to process current jobs.

Touch **Continue** to clear the message.

37 Insufficient memory, some Held Jobs were deleted

The printer deleted some held jobs in order to process current jobs.

Touch **Continue** to clear the message.

38 Memory full

Try one or more of the following:

- Touch **Cancel job** to clear the message.
- Install additional printer memory.

39 Complex page, some data may not have printed

Try one or more of the following:

- Touch **Continue** to clear the message and continue printing.
- Cancel the current print job.
- Install additional printer memory.

51 Defective flash detected

Try one or more of the following:

- Touch **Continue** to clear the message and continue printing.
- Cancel the current print job.

52 Not enough free space in flash memory for resources

Try one or more of the following:

- Touch **Continue** to clear the message and continue printing.
Downloaded fonts and macros not previously stored in flash memory are deleted.
- Delete fonts, macros, and other data stored in flash memory.
- Upgrade to a larger capacity flash memory card.

53 Unformatted flash detected

Try one or more of the following:

- Touch **Continue** to stop the defragment operation and continue printing.
- Format the flash memory. If the error message remains, the flash memory may be defective and require replacing.

54 Serial option [x] error

Try one or more of the following:

- Check that the serial cable is properly connected and is the correct one for the serial port.
- Check that the serial interface parameters (protocol, baud, parity, and data bits) are set correctly on the printer and host computer.
- Touch **Continue** to continue printing.
- Turn the printer power off and then back on to reset the printer.

54 Standard network software error

Try one or more of the following:

- Touch **Continue** to continue printing.
- Turn the printer off and then back on to reset the printer.
- Upgrade (flash) the network firmware in the printer or print server.

54 Network [x] software error

Try one or more of the following:

- Touch **Continue** to continue printing.
- Turn the printer off, wait for about 10 seconds, and then turn the printer back on.
- Upgrade (flash) the network firmware in the printer.

55 Unsupported option in slot [x]

- 1 Turn the printer off.
- 2 Unplug the power cord from the wall outlet.
- 3 Remove the unsupported option card from the printer system board, and then replace it with a supported card.
- 4 Connect the power cord to a properly grounded electrical outlet.
- 5 Turn the printer back on.

56 Parallel port [x] disabled

Try one or more of the following:

- Touch **Continue** to clear the message.
The printer discards any data received through the parallel port.
- Make sure the Parallel Buffer menu item is not set to Disabled.

56 Serial port [x] disabled

Try one or more of the following:

- Touch **Continue** to clear the message.
The printer discards any data received through the serial port.
- Make sure the Serial Buffer menu is not set to Disabled.

56 Standard USB port disabled

Try one or more of the following:

- Touch **Continue** to clear the message.
The printer discards any data received through the USB port.
- Make sure the USB Buffer menu item is not set to Disabled.

56 Standard parallel port disabled

Try one or more of the following:

- Touch **Continue** to clear the message.
The printer discards any data received through the parallel port.
- Make sure the Parallel Buffer menu item is not set to Disabled.

56 USB port [x] disabled

Try one or more of the following:

- Touch **Continue** to clear the message.
The printer discards any data received through the USB port.
- Make sure the USB Buffer menu is not set to Disabled.

57 Configuration change, some held jobs were not restored

Something has changed in the printer to invalidate the held jobs. Possible changes include:

- The printer firmware has been updated.
- Paper input options needed for the print job were removed.
- The print job was created using data from a device in the USB port and the device is no longer in the USB port.
- The printer hard disk contains print jobs that were stored while installed in a different printer model.

Touch **Continue** to clear the message.

58 Too many disks installed

- 1 Turn the printer off.
- 2 Unplug the power cord from the wall outlet.
- 3 Remove the excess disks.
- 4 Connect the power cord to a properly grounded electrical outlet.
- 5 Turn the printer back on.

58 Too many flash options installed

- 1 Turn the printer off.
- 2 Unplug the power cord from the wall outlet.
- 3 Remove the excess flash memory.
- 4 Connect the power cord to a properly grounded outlet.
- 5 Turn the printer back on.

58 Too many trays attached

- 1 Turn the printer off.
- 2 Unplug the power cord from the wall outlet.
- 3 Remove the additional trays.
- 4 Connect the power cord to a properly grounded outlet.
- 5 Turn the printer back on.

58 Input config error

- 1 Turn the printer off.
- 2 Unplug the power cord from the wall outlet.
- 3 Check if all tray configurations are correct. Remove unnecessary trays if needed.
- 4 Connect the power cord to a properly grounded electrical outlet.
- 5 Turn the printer back on.

61 Remove defective disk

Try one or more of the following:

- Remove the defective printer hard disk.
- Install a different printer hard disk before performing any operations that require a printer hard disk.

62 Disk full

Try one or more of the following:

- Touch **Continue** to clear the message and continue processing.
- Delete fonts, macros, and other data stored on the printer hard disk.
- Install a printer hard disk with larger capacity.

80.xx Fuser near life warning

- 1 Order a replacement fuser immediately.
- 2 When print quality is reduced, install the new fuser, following the instruction sheet that came with the replacement part.
- 3 Touch **Continue** to clear the message and continue printing.

80.xx Fuser life warning

- Order a replacement fuser immediately. When print quality is reduced, install the new fuser, following the instruction sheet that came with the replacement part.
- Touch **Continue** to clear the message and continue printing.

80.xx Replace fuser

Replace the fuser using the instruction sheet that came with the replacement part.

80.xx Fuser missing

- 1 Replace the fuser, following the instruction sheet that came with the replacement part.
- 2 Touch **Continue** to clear the message and continue printing.

82.xx Replace waste toner bottle

- 1 Replace the waste toner bottle.
For instructions on replacing the waste toner bottle, from the printer control panel touch **More Information**.
- 2 Touch **Continue** to clear the message and continue printing.

82.xx Waste toner bottle nearly full

Order a replacement waste toner bottle immediately.

- 1 Replace the waste toner bottle.
For instructions on installing the waste toner bottle, from the printer control panel touch **More Information**.
- 2 Touch **Continue** to clear the message and continue printing.

83.xx Transfer module life warning

- 1 Replace the transfer module, following the instruction sheet that came with the replacement part.
- 2 Touch **Continue** to clear the message and continue printing.

83.xx Transfer module missing

Insert the transfer module into the printer.

83.xx Replace transfer module

Replace the transfer module, following the instruction sheet that came with the replacement part.

84 Defective [color] imaging unit

The specified imaging unit is either missing or not functioning properly. Try one or more of the following:

- Remove the specified imaging unit, and then reinstall it.
- Remove the specified imaging unit, and then install a new one.

84.xx [color] imaging unit nearly low

- 1 Order a replacement imaging unit.
- 2 When print quality is reduced, install the new imaging unit, following the instruction sheet that came with the replacement part.
- 3 Touch **Continue** to clear the message and continue printing.

84.xx [color] imaging unit low

- 1 Order a replacement imaging unit immediately.
- 2 When print quality is reduced, install the new imaging unit, following the instruction sheet that came with the replacement part.
- 3 Touch **Continue** to clear the message and continue printing.

84.xx Replace [color] imaging unit and [color] cartridge

- 1 Replace the imaging unit and color cartridge, following the instruction sheets that came with the replacement parts.
- 2 Touch **Continue** to clear the message and continue printing.

84 Unsupported [color] imaging unit

Replace the specified imaging unit to continue printing.

88.xx [color] cartridge nearly low

- 1 Order a replacement toner cartridge.
- 2 Remove the specified cartridge.
- 3 Firmly shake the cartridge side-to-side and front-to-back several times to redistribute the toner.
- 4 Reinsert the cartridge, and then touch **Continue** to clear the message and continue printing.

Note: Repeat this procedure multiple times until the print remains faded, and then replace the cartridge.

88.xx [color] cartridge low

- 1 Order a replacement toner cartridge immediately.
- 2 Remove the specified cartridge.
- 3 Firmly shake the cartridge side-to-side and front-to-back several times to redistribute the toner.
- 4 Reinsert the cartridge, and then touch **Continue** to clear the message and continue printing.

Note: Repeat this procedure multiple times until the print remains faded, and then replace the cartridge.

88.2x Replace [color] cartridge

The specified toner cartridge is empty.

- 1 Replace the specified toner cartridge.
- 2 Touch **Continue** to clear the message and continue printing.

1565 Emulation error, load emulation option

The printer automatically clears the message in 30 seconds and then disables the download emulator on the firmware card.

To fix this, download the correct download emulator version from the Lexmark Web site at www.lexmark.com.

Solving printing problems

Multiple-language PDF files do not print

The PDF files may contain unavailable fonts.

- 1 Open the document you want to print in Adobe Acrobat.
- 2 Click the printer icon > **Advanced** > **Print as image** > **OK** > **OK**.

Printer control panel display is blank or displays only diamonds

The printer self test failed. Turn the printer off, wait about 10 seconds, and then turn the printer back on.

If **Performing Self Test** and **Ready** do not appear, turn the printer off and contact Customer Support.

Error message about reading USB drive appears

Make sure the flash drive is supported.

Print jobs do not print

Try one or more of the following:

MAKE SURE THERE IS NO PROBLEM WITH YOUR PRINTER

From the printer control panel, check the status. If necessary, follow the recovery instructions.

MAKE SURE THE PRINTER IS READY TO PRINT

Make sure **Ready** appears on the display before sending a print job.

CHECK IF A SUPPLY IS MISSING OR NEEDS REPLACEMENT

Remove and then reinstall or replace the supply.

CHECK IF THE STANDARD EXIT BIN IS FULL

Remove the paper stack from the standard exit bin.

CHECK IF THE PAPER TRAY IS EMPTY

Load paper in the tray.

MAKE SURE THE CORRECT PRINTER SOFTWARE IS INSTALLED

- Verify that you are using the correct printer software.
- If the printer is connected to your computer through a USB port, then make sure you are running a supported operating system and using a compatible printer software.

MAKE SURE THE INTERNAL PRINT SERVER IS WORKING PROPERLY

- Make sure the internal print server is properly installed and that the printer is connected to the network.
- Print a network setup page and check that the status shows **Connected**. If the status is **Not Connected**, then check the network cables, and then try printing the network setup page again. Contact your system support person to make sure the network is functioning correctly.

The printer software is available on the Lexmark Web site at <http://support.lexmark.com>.

MAKE SURE YOU ARE USING A RECOMMENDED **USB**, **SERIAL**, OR **ETHERNET** CABLE

For more information, visit the Lexmark Web site at <http://support.lexmark.com>.

MAKE SURE PRINTER CABLES ARE SECURELY CONNECTED

Check the cable connections to the printer and print server to make sure they are secure.

For more information, see the setup documentation that came with the printer.

Confidential and other held jobs do not print

These are possible solutions. Try one or more of the following:

PARTIAL JOB, NO JOB, OR BLANK PAGE PRINTS

The print job may contain a formatting error or invalid data.

- Delete the print job, and then print it again.
- For PDF documents, recreate the PDF and then print it again.

If you are printing from the Internet, then the printer may be reading multiple job titles as duplicates and deleting all jobs except the first one.

- For Windows users, open Print Properties. From the Print and Hold dialog, select the "Keep duplicate documents" check box under the User name text box before entering a PIN number.
- For Macintosh users, save each print job, naming each job differently, and then send the individual jobs to the printer.

MAKE SURE THE PRINTER HAS SUFFICIENT MEMORY

Free up additional printer memory by scrolling through the list of held jobs and deleting some of them.

Print job takes longer than expected

Try one or more of the following:

REDUCE THE COMPLEXITY OF THE PRINT JOB

Eliminate the number and size of fonts, the number and complexity of images, and the number of pages in the print job.

TURN OFF THE PAGE PROTECT SETTING

From the home screen, navigate to:

 > **Settings** > **General Settings** > **Print Recovery** > **Page Protect** > **Off** > 

CHANGE THE ENVIRONMENTAL SETTINGS

When using Eco-Mode or Quiet Mode settings, you may notice a reduction in performance.

Job prints from the wrong tray or on the wrong paper

CHECK THE PAPER TYPE AND PAPER SIZE SETTINGS

Make sure the paper type setting matches the paper loaded in the tray:

- 1 From the printer control panel Paper menu, check the paper type and paper size settings.
- 2 Before sending the job to print, specify the correct type setting:
 - For Windows users, specify the paper type from Print Properties.
 - For Macintosh users, specify the paper type from the Print dialog.

Incorrect characters print

MAKE SURE THE PRINTER IS NOT IN HEX TRACE MODE

If **Ready Hex** appears on the display, then you must exit Hex Trace mode before you can print your job. Turn the printer off and back on to exit Hex Trace mode.

Tray linking does not work

These are possible solutions. Try one or more of the following:

LOAD THE SAME SIZE AND TYPE OF PAPER

- Load the same size and type of paper in each tray to be linked.
- Move the paper guides to the correct positions for the paper size loaded in each tray.

USE THE SAME PAPER SIZE AND PAPER TYPE SETTINGS

- Print a menu settings page and compare the settings for each tray.
- If necessary, adjust the settings from the Paper Size/Type menu.

Note: The standard 550-sheet tray and the multipurpose feeder do not automatically sense the paper size. You must set the size from the Paper Size/Type menu.

Large jobs do not collate

These are possible solutions. Try one or more of the following:

MAKE SURE COLLATE IS SET TO ON

From the Finishing menu or Print Properties, set Collate to On.

Note: Setting Collate to Off in the software overrides the setting in the Finishing menu.

REDUCE THE COMPLEXITY OF THE PRINT JOB

Reduce the complexity of the print job by eliminating the number and size of fonts, the number and complexity of images, and the number of pages in the job.

MAKE SURE THE PRINTER HAS ENOUGH MEMORY


Add printer memory or an optional hard disk.

Unexpected page breaks

INCREASE THE PRINT TIMEOUT VALUE

- 1 From the home screen, navigate to:

 > **Settings** > **General Settings** > **Timeouts** > **Print Timeout**

- 2 Increase the Print Timeout value, and then touch .

Solving home screen applications problems

An application error has occurred

CHECK THE SYSTEM LOG FOR RELEVANT DETAILS

- 1 Type the printer IP address or host name in the address field of your Web browser.
If you do not know the IP address or host name of the printer, then you can:
 - View the information on the printer control panel home screen, or in the TCP/IP section under the Networks/Ports menu.
 - Print a network setup page or menu settings page and locate the information in the TCP/IP section.
- 2 Click **Settings** or **Configuration**.
- 3 Click **Device Solutions** > **Solutions (eSF)** > **System** tab > **Log**.
- 4 From the Filter menu, select an application status.
- 5 From the Application menu, select an application, and then click **Submit**.

CONTACT CUSTOMER SUPPORT

If you still cannot isolate the problem, then contact customer support.

Solving option problems

Option does not operate correctly or quits after it is installed

These are possible solutions. Try one or more of the following:

RESET THE PRINTER

Turn the printer off, wait for about 10 seconds, and then turn the printer on.

CHECK TO SEE IF THE OPTION IS CONNECTED TO THE PRINTER

- 1 Turn the printer off.
- 2 Unplug the printer from the wall outlet.
- 3 Check the connection between the option and the printer.

MAKE SURE THE OPTION IS INSTALLED

Print a menu settings page and check to see if the option is listed in the Installed Options list. If the option is not listed, then reinstall it.

MAKE SURE THE OPTION IS AVAILABLE IN THE PRINTER DRIVER

It may be necessary to manually add the option in the printer driver to make it available for print jobs. For more information, see "Updating available options in the printer driver" on page 51.

MAKE SURE THE OPTION IS SELECTED

From the program you are using, select the option. Mac OS 9 users should make sure the printer is set up in the Chooser.

Paper tray problems

Try one or more of the following:

MAKE SURE THE PAPER IS LOADED CORRECTLY

- 1 Open the paper tray.
- 2 Check for paper jams or misfeeds.
- 3 Make sure the paper guides are aligned against the edges of the paper.
- 4 Make sure the paper tray closes properly.

RESET THE PRINTER

Turn the printer off, wait about 10 seconds, and then turn the printer on.

MAKE SURE THE PAPER TRAY IS INSTALLED CORRECTLY

If the paper tray is listed on the menu settings page, but paper jams when it enters or exits the tray, then it may not be properly installed. Reinstall the paper tray. For more information, see the hardware setup documentation that came with the paper tray, or go to <http://support.lexmark.com> to view the paper tray instruction sheet.

Cannot detect flash memory card

Make sure the flash memory card is securely connected to the printer system board.

Cannot detect printer hard disk

Make sure the printer hard disk is securely connected to the printer system board.

Internal Solutions Port does not operate correctly

Try one or more of the following:

CHECK THE INTERNAL SOLUTIONS PORT (ISP) CONNECTIONS

Make sure the ISP is securely connected to the printer system board.

CHECK THE CABLE

Make sure you are using the correct cable and that it is securely connected to the Internal Solutions (ISP) port.

MAKE SURE THE NETWORK SOFTWARE IS CONFIGURED CORRECTLY

For information on installing the network printing software, see the *Networking Guide* on the *Software and Documentation* CD.

Internal print server does not operate correctly

Try one or more of the following:

CHECK THE PRINT SERVER CONNECTIONS

- Make sure the internal print server is attached securely to the printer system board.
- Make sure you are using the correct cable and that it is securely connected.

MAKE SURE THE NETWORK SOFTWARE IS CONFIGURED CORRECTLY

For more information on installing the network printing software, do the following:

- 1 Open the *Software and Documentation* CD.
- 2 Click **Additional**.
- 3 Under Publications on this CD, select **Networking Guide**.

Memory card

Make sure the memory card is securely connected to the printer system board.

USB/parallel interface card does not operate correctly

CHECK THE USB/PARALLEL INTERFACE CARD CONNECTION

Make sure the USB/parallel interface card is securely connected to the printer system board.

CHECK THE CABLE

Make sure you are using the correct cable and that it is securely connected.

Solving paper feed problems

Paper frequently jams

These are possible solutions. Try one or more of the following:

CHECK THE PAPER

Use recommended paper and specialty media. For more information, see the chapter about paper and specialty media guidelines.

MAKE SURE THERE IS NOT TOO MUCH PAPER IN THE PAPER TRAY

Make sure the stack of paper you load does not exceed the maximum stack height indicated in the tray or on the multipurpose feeder.

CHECK THE PAPER GUIDES

Move the guides in the tray to the correct positions for the paper size loaded.

THE PAPER MAY HAVE ABSORBED MOISTURE DUE TO HIGH HUMIDITY

- Load paper from a fresh package.
- Store paper in its original wrapper until you use it.



Paper jam message remains after jam is cleared

CHECK THE PAPER PATH

The paper path is not clear. Clear jammed paper from the entire paper path, and then touch **Continue**.

Jammed pages are not reprinted

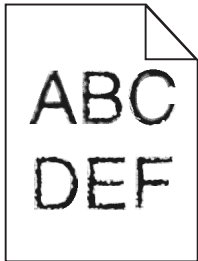
TURN ON JAM RECOVERY

- 1 From the home screen, navigate to:
 > **Settings** > **General Settings** > **Print Recovery**
- 2 Touch the arrows next to **Jam Recovery** until **On** or **Auto** appears.
- 3 Touch .

Solving print quality problems

If these suggestions do not correct the problem, then contact customer support. You may have a printer part that requires adjustment or replacement.

Characters have jagged or uneven edges



If you are using downloaded fonts, verify that the fonts are supported by the printer, the host computer, and the software program.

Clipped images

Try one or more of the following:

CHECK THE GUIDES

Move the width and length guides in the tray to the correct positions for the paper size loaded.

CHECK THE PAPER SIZE SETTING

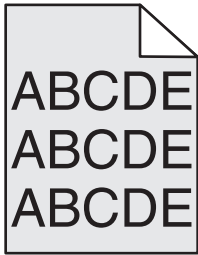
Make sure the paper size setting matches the paper loaded in the tray:

- 1 From the printer control panel Paper menu, check the Paper Size setting.
- 2 Before sending the job to print, specify the correct size setting:
 - For Windows users, specify the size from Print Properties.
 - For Macintosh users, specify the size from the Page Setup dialog.

Fine horizontal lines appear on color pages

You may notice fine, horizontal lines in photographs or pages with a high concentration of color. This can occur when the printer is in Quiet Mode. To fix this, set Quiet Mode to **Off (Image/Photo)**.

Gray background



CHECK THE TONER DARKNESS SETTING

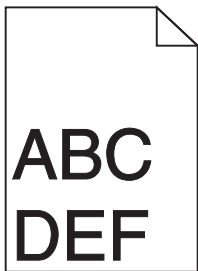
Select a lighter Toner Darkness setting:

- From the printer control panel Quality menu, change the setting.
- For Windows users, change the setting from Print Properties.
- For Macintosh users, change the setting from the Print dialog.

THE TONER CARTRIDGE MAY BE WORN OR DEFECTIVE

Replace the toner cartridge.

Incorrect margins



These are possible solutions. Try one or more of the following:

CHECK THE PAPER GUIDES

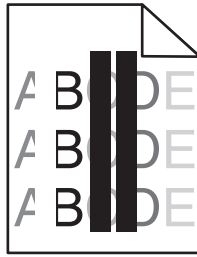
Move the guides in the tray to the correct positions for the paper size loaded.

CHECK THE PAPER SIZE SETTING

Make sure the paper size setting matches the paper loaded in the tray:

- 1 From the printer control panel Paper menu, check the Paper Size setting.
- 2 Before sending the job to print, specify the correct size setting:
 - For Windows users, specify the size from Print Properties.
 - For Macintosh users, specify the size from the Page Setup dialog.

Light colored line, white line, or incorrectly colored line appears on prints



Try one or more of the following:

MAKE SURE THERE IS NO DEFECTIVE TONER CARTRIDGE

Replace the defective toner cartridge.

MAKE SURE THE IMAGING UNIT IS NOT DEFECTIVE

Replace the defective imaging unit.

MAKE SURE THE TRANSFER MODULE IS NOT DEFECTIVE

Replace the transfer module.

CLEAN THE PRINTHEAD LENSES

Remove and reinstall the imaging unit. The LED wipe at the end of the imaging unit will rub across the row of LEDs, thus cleaning the printhead lenses.

Paper curl

Try one or more of the following:

CHECK THE PAPER TYPE AND WEIGHT SETTINGS

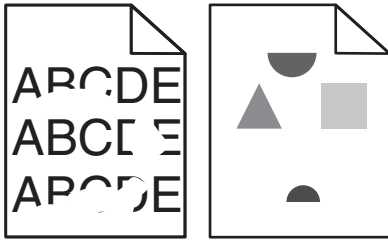
Make sure the paper type and weight settings match the paper loaded in the tray or feeder:

- 1 From the printer control panel Paper menu, check the Paper Type and Paper Weight settings.
- 2 Before sending the print job, specify the correct paper type setting:
 - For Windows users, specify the paper type from Print Properties.
 - For Macintosh users, specify the paper type from the Print dialog.

LOAD PAPER FROM A FRESH PACKAGE

Paper absorbs moisture due to high humidity. Store paper in its original wrapper until you use it.

Print irregularities



Try one or more of the following:

LOAD PAPER FROM A FRESH PACKAGE

The paper may have absorbed moisture due to high humidity. Store paper in its original wrapper until you use it.

CHECK THE PAPER TYPE AND WEIGHT SETTINGS

Make sure the paper type and weight settings match the paper loaded in the tray or feeder:

- 1 From the printer control panel Paper menu, check the Paper Type and Paper Weight settings.
- 2 Before sending the print job, specify the correct paper type setting:
 - For Windows users, specify the paper type from Print Properties.
 - For Macintosh users, specify the paper type from the Print dialog.

AVOID TEXTURED PAPER WITH ROUGH FINISHES

MAKE SURE THERE IS NO DEFECTIVE TONER CARTRIDGE

Replace the worn or defective toner cartridge.

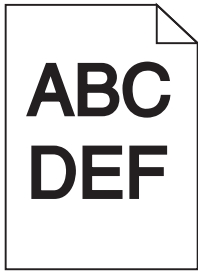
MAKE SURE THE TRANSFER MODULE IS NOT DEFECTIVE

Replace the defective transfer module. For more information, see the instruction sheet that came with the replacement part.

MAKE SURE THE FUSER IS NOT DEFECTIVE

Replace the defective fuser. For more information, see the instruction sheet that came with the replacement part.

Print is too dark



Try one or more of the following:

CHECK THE DARKNESS, BRIGHTNESS, AND CONTRAST SETTINGS

The Toner Darkness setting may be too dark, the Brightness setting may be too dark, or the Contrast setting may be too high.

- Change these settings from the printer control panel Quality menu.
- For Windows users, change these settings from Print Properties.
- For Macintosh users:
 - 1 Choose **File > Print**.
 - 2 From the Orientation pictures drop-down menu, choose **Printer Features**.
 - 3 Choose a lower value for the Toner Darkness, Brightness, and Contrast settings.

LOAD PAPER FROM A FRESH PACKAGE

The paper may have absorbed moisture due to high humidity. Store paper in its original wrapper until you use it.

AVOID TEXTURED PAPER WITH ROUGH FINISHES

CHECK THE PAPER TYPE SETTING

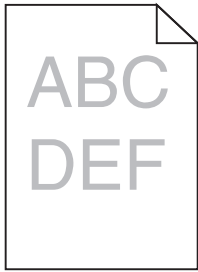
Make sure the Paper Type setting matches the paper loaded in the tray or feeder:

- From the printer control panel Paper menu, check the Paper Type setting.
- For Windows users, check this setting from Print Properties.
- For Macintosh users, check this setting from the Print dialog.

MAKE SURE THERE IS NO DEFECTIVE TONER CARTRIDGE

Replace the defective toner cartridge.

Print is too light



Try one or more of the following:

CHECK THE DARKNESS, BRIGHTNESS, AND CONTRAST SETTINGS

The Toner Darkness setting may be too light, the Brightness setting may be too light, or the Contrast setting may be too low.

- Change these settings from the printer control panel Quality menu.
- For Windows users, change these settings from Print Properties
- For Macintosh users:
 - 1 Choose **File > Print**.
 - 2 From the Orientation pictures drop-down menu, choose **Printer Features**.
 - 3 Choose a higher value for the Toner Darkness, Brightness, and Contrast settings.

LOAD PAPER FROM A FRESH PACKAGE

The paper may have absorbed moisture from high humidity. Store paper in its original wrapper until you use it.

AVOID TEXTURED PAPER WITH ROUGH FINISHES

CHECK THE PAPER TYPE SETTING

Make sure the Paper Type setting matches the paper loaded in the tray or feeder:

- From the printer control panel Paper menu, check the Paper Type setting.
- For Windows users, check this setting from Print Properties.
- For Macintosh users, check this setting from the Print dialog.

MAKE SURE THE TONER CARTRIDGE IS NOT LOW ON TONER

When **88.xx [color] cartridge low** appears, make sure the toner is distributed evenly within the print cartridge.

- 1 Remove the toner cartridge.
- 2 Firmly shake the cartridge side-to-side and front-to-back several times to redistribute the toner.
- 3 Reinsert the toner cartridge.

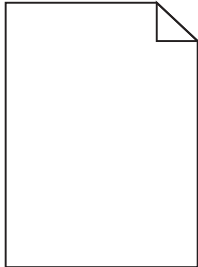
Note: If print quality does not improve, replace the print cartridge.

If the problem continues, the printer may need to be serviced. For more information, contact customer support.

MAKE SURE THERE IS NO DEFECTIVE TONER CARTRIDGE

Replace the defective toner cartridge.

Printer is printing blank pages



Try one or more of the following:

MAKE SURE THERE IS NO PACKING MATERIAL LEFT ON THE TONER OR PRINT CARTRIDGE

Remove the cartridge and make sure the packing material is properly removed. Reinstall the cartridge.

MAKE SURE THE TONER OR PRINT CARTRIDGE IS NOT LOW ON TONER

When **88.xx [color] cartridge low** appears, make sure that toner is distributed evenly among all four cartridges:

- 1 Remove the cartridge.

Warning—Potential Damage: Be careful not to touch the photoconductor drum. Doing so may affect the print quality of future print jobs.

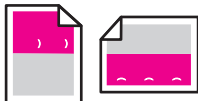
- 2 Firmly shake the cartridge side-to-side and front-to-back several times to redistribute the toner.

- 3 Reinsert the cartridge.

Note: If print quality does not improve, then replace the cartridge of the color that is not printing.

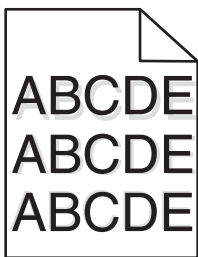
If the problem continues, then the printer may need to be serviced. For more information, contact customer support.

Repeating defects appear on a page

Cause	Solution
	
<p>If marks occur repeatedly in only one color and multiple times on a page:</p>	
<p>The transfer module is defective.</p>	<p>Replace the transfer module if the defects occur every:</p> <ul style="list-style-type: none"> • 38 mm (1.50 in.)

Cause	Solution
An imaging unit is defective.	Replace the imaging unit if the defects occur every: <ul style="list-style-type: none"> • 41.0 mm (1.61 in.) • 75.0 mm (2.95 in.)
If marks occur down the page repeatedly in all colors:	
The fuser is defective.	Replace the fuser if the defects occur every: <ul style="list-style-type: none"> • 141 mm (5.55 in.)

Shadow images appear on prints



CHECK THE PAPER TYPE AND WEIGHT SETTINGS

Make sure the paper type and weight settings match the paper loaded in the tray:

- 1 From the printer control panel Paper menu, check the Paper Type and Paper Weight settings.
- 2 Before sending the job to print, specify the correct type setting:
 - For Windows users, specify the type from Print Properties.
 - For Macintosh users, specify the type from the Print dialog.

MAKE SURE THE IMAGING UNIT IS NOT DEFECTIVE

Replace the imaging unit.

MAKE SURE THE TONER CARTRIDGE IS NOT LOW ON TONER

When **88.xx [color] cartridge low** appears, make sure the toner is distributed evenly within the toner cartridge.

- 1 Remove the toner cartridge.

Warning—Potential Damage: Be careful not to touch the photoconductor drum. Doing so may affect the print quality of future print jobs.

- 2 Firmly shake the cartridge side-to-side and front-to-back several times to redistribute the toner.
- 3 Reinsert the toner cartridge.

Note: If print quality does not improve, replace the toner cartridge.

If the problem continues, the printer may need to be serviced. For more information, contact Customer Support.

Skewed print

These are possible solutions. Try one or more of the following:

CHECK THE PAPER GUIDES

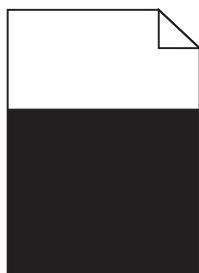
Move the length and width guides in the tray to the correct positions for the paper size loaded.

- Make sure the guides are not too far from the paper stack.
- Make sure the guides are not pressing too lightly against the paper stack.

CHECK THE PAPER

Make sure you are using paper that meets the printer specifications.

Solid color pages



Try one or more of the following:

MAKE SURE THE IMAGING UNIT IS INSTALLED CORRECTLY AND IS NOT DEFECTIVE

Remove and then reinstall the imaging unit. If the problem continues, the imaging unit may need to be replaced.

MAKE SURE THE TONER CARTRIDGES ARE INSTALLED CORRECTLY, ARE NOT DEFECTIVE AND NOT LOW ON TONER

- Remove and reinstall the toner cartridges.
- Make sure toner is distributed evenly within the toner cartridge:

1 Remove the toner cartridge.

Warning—Potential Damage: Be careful not to touch the photoconductor drum. Doing so may affect the print quality of future print jobs.

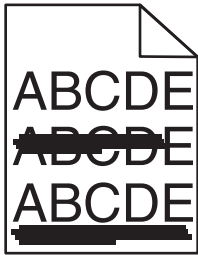
2 Firmly shake the cartridge side-to-side and front-to-back several times to redistribute the toner.

3 Reinsert the toner cartridge.

Note: If print quality does not improve, replace the toner cartridge.

- If the problem continues, the printer may need to be serviced. For more information, contact customer support.

Streaked horizontal lines appear on prints



Try one or more of the following:


SELECT ANOTHER TRAY OR FEEDER

- From the printer control panel Paper Menu, select Default Source.
- For Windows users, select the paper source from Print Properties.
- For Macintosh users, select the paper source from the Print dialog and pop-up menus.

MAKE SURE THERE IS NO WORN, DEFECTIVE, OR EMPTY TONER CARTRIDGE

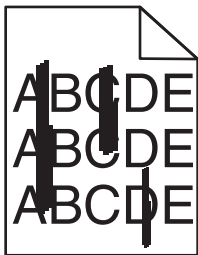
Replace the worn, defective, or empty toner cartridge.

CLEAR THE PAPER PATH AROUND THE TONER CARTRIDGE

 **CAUTION—HOT SURFACE:** The inside of the printer might be hot. To reduce the risk of injury from a hot component, allow the surface to cool before touching.

Clear any paper you see or clean any visible toner from the paper path. If the problem persists, then contact Customer Support.

Streaked vertical lines appear on prints



Try one or more of the following:

SELECT ANOTHER TRAY OR FEEDER


- From the printer control panel Paper menu, select Default Source
- For Windows users, select the paper source from Print Properties.
- For Macintosh users, select the paper source from the Print dialog and pop-up menus.

MAKE SURE THERE IS NO WORN, DEFECTIVE, OR EMPTY TONER CARTRIDGE

Replace the worn, defective, or empty toner cartridge.

CLEAR THE PAPER PATH AROUND THE TONER CARTRIDGE

Check the paper path around the toner cartridge.

 **CAUTION—HOT SURFACE:** The inside of the printer might be hot. To reduce the risk of injury from a hot component, allow the surface to cool before touching.

Clear any paper you see.

MAKE SURE THERE IS NO TONER IN THE PAPER PATH

Toner fog or background shading appears on the page

Cause	Solution
Toner cartridge may be defective or installed incorrectly.	Reinstall or replace the toner cartridge.
Transfer module may be worn or defective.	Replace the transfer module.
Imaging unit may be worn or defective.	Replace the imaging unit.
Fuser may be worn or defective.	Replace the fuser.
Toner may be in the paper path.	Call for service.
Printer may not have recalibrated recently.	Perform color adjust from the Quality menu.
Application may specify an off-white background.	Check the application.

Toner rubs off

Cause	Solution
Specialty media is being used.	Make sure the correct Paper Type is selected.
The Paper Weight setting in the Paper Menu is wrong for the type of paper being used.	Change the Paper Weight from Normal to Heavy. If necessary, change Paper Texture from Normal to Rough.
Fuser is worn or defective.	Replace the fuser.
Fuser is in envelope mode.	Open the side door. Make sure that the green lever on the left side of the fuser is not in envelope mode.

Toner specks

Cause	Solution
Toner cartridges may be worn or defective.	Replace the defective or worn cartridges.
Toner is in the paper path.	Call for service.
The imaging unit may be defective.	Replace the defective imaging unit.

Transparency print quality is poor

Try one or more of the following:

CHECK THE TRANSPARENCIES

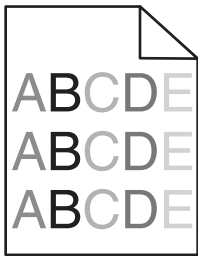
Use only transparencies that meet the printer specifications.

CHECK THE PAPER TYPE SETTING

Make sure the paper type setting is set to Transparency:

- 1 From the printer control panel Paper menu, check the Paper Type setting.
- 2 Before sending the job to print, specify the correct type setting:
 - For Windows users, specify the type from Print Properties.
 - For Macintosh users, specify the type from the Print dialog.

Uneven print density



Try one or more of the following:

MAKE SURE THERE IS NO DEFECTIVE OR WORN TONER CARTRIDGE

Replace the worn or defective toner cartridge.

MAKE SURE THE IMAGING UNIT IS NOT DEFECTIVE

Replace the defective imaging unit.

Solving color quality problems

FAQ about color printing

What is RGB color?

Red, green, and blue light can be added together in various amounts to produce a large range of colors observed in nature. For example, red and green can be combined to create yellow. Televisions and computer monitors create colors in this manner. RGB color is a method of describing colors by indicating the amount of red, green, or blue needed to produce a certain color.

What is CMYK color?

Cyan, magenta, yellow, and black (known as *CMYK color*) inks or toners can be printed in various amounts to produce a large range of colors observed in nature. For example, cyan and yellow can be combined to create green. Printing presses, inkjet printers, and color laser/LED printers create colors in this manner. CMYK color is a method of describing colors by indicating the amount of cyan, magenta, yellow, and black needed to reproduce a particular color.

How is color specified in a document to be printed?

Software applications typically specify document color using RGB or CMYK color combinations. Additionally, they commonly let you modify the color of each object in a document. For more information, see the software application Help section.

How does the printer know what color to print?

When you print a document, information describing the type and color of each object is sent to the printer. The color information is passed through color conversion tables that translate the color into the appropriate amounts of cyan, magenta, yellow, and black toner needed to produce the desired color. The object type information lets different color conversion tables be used for different types of objects. For example, it is possible to apply one type of color conversion table to text while applying a different color conversion table to photographic images.

Should I use PostScript or PCL emulation printer software? What settings should I use for the best color?

The PostScript driver is strongly recommended for best color quality. The default settings in the PostScript driver provide preferred color quality for the majority of printouts.

Why doesn't the printed color match the color that I see on the computer screen?

The color conversion tables used in Auto Color Correction mode generally approximate the colors of a standard computer monitor. However, because of technology differences that exist between printers and monitors, there are many colors that can also be affected by monitor variations and lighting conditions. For recommendations on how the printer color sample pages may be useful in solving certain color-matching problems, see the question, "How can I match a particular color (such as a color in a corporate logo)?"

The printed page appears tinted. Can I slightly adjust the color?

Sometimes you may consider printed pages to appear tinted (for example, everything printed seems to be too red). This can be caused by environmental conditions, paper type, lighting conditions, or user preference. In these instances, adjusting the Color Balance setting may create more preferable color. Color Balance lets you make subtle adjustments to the amount of toner being used in each color plane. Selecting positive (or negative) values for cyan, magenta, yellow, and black under the Color Balance menu will slightly increase (or decrease) the amount of toner used for the chosen color. For example, if you believe the overall printed page to be too red, then decreasing both magenta and yellow could potentially improve color.

My color transparencies seem dark when being projected. Is there anything I can do to improve the color?

This problem most commonly occurs when projecting transparencies with reflective overhead projectors. To obtain the highest projected color quality, transmissive overhead projectors are recommended. If a reflective projector must be used, then adjusting the Toner Darkness setting to 1, 2, or 3 will lighten the transparency.

Make sure to print on the recommended type of color transparencies. For more information about the paper and media specifications, see the *User's Guide* on the *Software and Documentation* CD.

What is manual color correction?

The color conversion tables applied to each object when using the default Auto Color Correction setting generate preferred color for the majority of documents. Occasionally, you may want to apply a different color table mapping. This customization is accomplished using the Manual Color menu and the Manual Color Correction setting.

Manual Color Correction applies to RGB and CMYK color conversion table mappings as defined in the Manual Color menu.

You can select any of the different color conversion tables for RGB or CMYK:

Color conversion table	Settings
RGB	<ul style="list-style-type: none"> • sRGB Display • Display–True Black • sRGB Vivid • Vivid • Off
CMYK	<ul style="list-style-type: none"> • US CMYK • Euro CMYK • Vivid CMYK • Off

Note: The Manual Color Correction setting is not useful if the software application does not specify colors with RGB or CMYK combinations. It is also not effective in situations where the software application or the computer operating system controls the adjustment of colors.

How can I match a particular color (such as a corporate logo)?

Occasionally, you may have a need for the printed color of a particular object to closely match a specific color. For example, you may need to match the color of a corporate logo. While instances can occur in which the printer cannot exactly reproduce the desired color, you should be able to identify adequate color matches for the majority of cases.

The Color Samples menu item can provide useful information in helping solve this particular type of color-matching problem. The nine Color Samples values correspond to color conversion tables in the printer. Selecting any of the Color Samples values generates a multiple-page printout consisting of hundreds of colored boxes. Either a CMYK or RGB combination is located on each box, depending on the table selected. The observed color of each box is obtained by passing the CMYK or RGB combination labeled on the box through the selected color conversion table.

You can examine the color samples pages and identify the box whose color is the closest to the desired color. The color combination labeled on the box can then be used for modifying the color of the object in a software application. For instructions, see the software application Help. Manual Color Correction may be necessary to utilize the selected color conversion table for the particular object.

Selecting which Color Samples pages to use for a particular color-matching problem depends on the Color Correction setting being used (Auto, Off, or Manual), the type of object being printed (text, graphics, or images), and how the color of the object is specified in the software application (RGB or CMYK combinations). When the printer Color Correction setting is set to Off, the color is based on the print job information; no color conversion is implemented.

Note: The Color Samples pages are not useful if the software application does not specify colors with RGB or CMYK combinations. Additionally, certain situations exist where the software application or the computer operating system adjusts the RGB or CMYK combinations specified in the application through color management. The resulting printed color may not be an exact match of the Color Samples pages.

The following table can help identify which Color Sample pages to use for color matching.

Color specification and object to be printed	Color Correction setting	Sample pages to use
RGB—Text	Auto	sRGB Vivid
	Manual	Manual Color RGB Text Setting
RGB—Graphic	Auto	sRGB Vivid
	Manual	Manual Color RGB Graphic Setting
RGB—Image	Auto	sRGB Display
	Manual	Manual Color RGB Image Setting
CMYK—Text	Auto	US CMYK or Euro CMYK
	Manual	Manual Color CMYK Text Setting
CMYK—Graphic	Auto	US CMYK
	Manual	Manual Color CMYK Graphic Setting
CMYK—Image	Auto	US CMYK
	Manual	Manual Color CMYK Image Setting

What are Detailed Color Samples and how do I access them?

These pages require the use of the Embedded Web Server. The Embedded Web Server is a series of resident pages stored in the network printer firmware. To access these pages, browse to the IP address of the network printer. Click **Configuration Menu**, and then click **Detailed Color Samples**.

For more information about using the Embedded Web Server, see the *User's Guide on the Software and Documentation CD*.

Detailed Color Samples are pages similar to the default pages of color samples accessible from the Quality menu using the printer control panel. The default color samples available using this method have an increment value of 10% for red, green, and blue. If you find a value on this page that is close, but would like to scan more colors in a nearby area, then you can use the Detailed Color Samples to select the desired color values and a more specific increment. This provides a way to print multiple pages of colored boxes that surround a specific color of interest.

There are nine conversion tables available with the following three options:

- **Print**—Prints the default pages
- **Detailed**—Lets you enter individual red, green, and blue values and a specific increment of color
- **Reset**—Lets you clear the existing information and enter new values

The process can be duplicated for Cyan (C), Magenta (M), Yellow (Y), and Black (K) color conversion tables, too. Collectively, these values are known as CMYK color. The default increment is 10% for Black and 20% each for Cyan, Magenta, and Yellow.

Embedded Web Server does not open

Try one or more of the following:

CHECK THE NETWORK CONNECTION

Make sure the printer and computer are turned on and connected to the same network.

CHECK THE ADDRESS ENTERED IN THE WEB BROWSER

- Depending on the network settings, you may need to type “**https://**” instead of “**http://**” before the printer IP address to access the Embedded Web Server. For more information, contact your system support person.
- Make sure printer IP address is correct.

TEMPORARILY DISABLE WEB PROXY SERVERS

Proxy servers may block or restrict you from accessing certain Web sites including the Embedded Web Server. For more information, contact your system support person.

Contacting customer support

When you call customer support, describe the problem you are experiencing, the message on the display, and the troubleshooting steps you have already taken to find a solution.

You need to know your printer model type and serial number. For more information, see the label on the inside top front cover of the printer. The serial number is also listed on the menu settings page.

In the U.S. or Canada, call 1-800-539-6275. For other countries or regions, visit the Lexmark Web site at <http://support.lexmark.com>.

Notices

Product information

Product name:

Lexmark C925

Machine type:

5041

Model(s):

030

Edition notice

November 2012

The following paragraph does not apply to any country where such provisions are inconsistent with local law: LEXMARK INTERNATIONAL, INC., PROVIDES THIS PUBLICATION "AS IS" WITHOUT WARRANTY OF ANY KIND, EITHER EXPRESS OR IMPLIED, INCLUDING, BUT NOT LIMITED TO, THE IMPLIED WARRANTIES OF MERCHANTABILITY OR FITNESS FOR A PARTICULAR PURPOSE. Some states do not allow disclaimer of express or implied warranties in certain transactions; therefore, this statement may not apply to you.

This publication could include technical inaccuracies or typographical errors. Changes are periodically made to the information herein; these changes will be incorporated in later editions. Improvements or changes in the products or the programs described may be made at any time.

References in this publication to products, programs, or services do not imply that the manufacturer intends to make these available in all countries in which it operates. Any reference to a product, program, or service is not intended to state or imply that only that product, program, or service may be used. Any functionally equivalent product, program, or service that does not infringe any existing intellectual property right may be used instead. Evaluation and verification of operation in conjunction with other products, programs, or services, except those expressly designated by the manufacturer, are the user's responsibility.

For Lexmark technical support, visit <http://support.lexmark.com>.

For information on supplies and downloads, visit www.lexmark.com.

© 2012 Lexmark International, Inc.

All rights reserved.

GOVERNMENT END USERS

The Software Program and any related documentation are "Commercial Items," as that term is defined in 48 C.F.R. 2.101, "Computer Software" and "Commercial Computer Software Documentation," as such terms are used in 48 C.F.R. 12.212 or 48 C.F.R. 227.7202, as applicable. Consistent with 48 C.F.R. 12.212 or 48 C.F.R. 227.7202-1 through 227.7202-4, as applicable, the Commercial Computer Software and Commercial Software Documentation are licensed to the U.S. Government end users (a) only as Commercial Items and (b) with only those rights as are granted to all other end users pursuant to the terms and conditions herein.

Trademarks

Lexmark, Lexmark with diamond design, MarkNet, and MarkVision are trademarks of Lexmark International, Inc., registered in the United States and/or other countries.

PrintCryption is a trademark of Lexmark International, Inc.

Mac and the Mac logo are trademarks of Apple Inc., registered in the U.S. and other countries.

PCL® is a registered trademark of the Hewlett-Packard Company. PCL is Hewlett-Packard Company’s designation of a set of printer commands (language) and functions included in its printer products. This printer is intended to be compatible with the PCL language. This means the printer recognizes PCL commands used in various application programs, and that the printer emulates the functions corresponding to the commands.

The following terms are trademarks or registered trademarks of these companies:

Albertus	The Monotype Corporation plc
Antique Olive	Monsieur Marcel OLIVE
Apple-Chancery	Apple Computer, Inc.
Arial	The Monotype Corporation plc
CG Times	Based on Times New Roman under license from The Monotype Corporation plc, is a product of Agfa Corporation
Chicago	Apple Computer, Inc.
Clarendon	Linotype-Hell AG and/or its subsidiaries
Eurostile	Nebiolo
Geneva	Apple Computer, Inc.
Gillsans	The Monotype Corporation plc
Helvetica	Linotype-Hell AG and/or its subsidiaries
Hoefler	Jonathan Hoefler Type Foundry
ITC Avant Garde Gothic	International Typeface Corporation
ITC Bookman	International Typeface Corporation
ITC Mona Lisa	International Typeface Corporation
ITC Zapf Chancery	International Typeface Corporation
Joanna	The Monotype Corporation plc
Marigold	Arthur Baker
Monaco	Apple Computer, Inc.
New York	Apple Computer, Inc.
Oxford	Arthur Baker
Palatino	Linotype-Hell AG and/or its subsidiaries
Stempel Garamond	Linotype-Hell AG and/or its subsidiaries
Taffy	Agfa Corporation
Times New Roman	The Monotype Corporation plc

Univers	Linotype-Hell AG and/or its subsidiaries
---------	--

All other trademarks are the property of their respective owners.

AirPrint and the AirPrint logo are trademarks of Apple, Inc.

Federal Communications Commission (FCC) compliance information statement

This product has been tested and found to comply with the limits for a Class A digital device, pursuant to Part 15 of the FCC Rules. Operation is subject to the following two conditions: (1) this device may not cause harmful interference, and (2) this device must accept any interference received, including interference that may cause undesired operation.

The FCC Class A limits are designed to provide reasonable protection against harmful interference when the equipment is operated in a commercial environment. This equipment generates, uses, and can radiate radio frequency energy and, if not installed and used in accordance with the instruction manual, may cause harmful interference to radio communications. Operation of this equipment in a residential area is likely to cause harmful interference, in which case the user will be required to correct the interference at his own expense.

The manufacturer is not responsible for any radio or television interference caused by using other than recommended cables or by unauthorized changes or modifications to this equipment. Unauthorized changes or modifications could void the user's authority to operate this equipment.

Note: To assure compliance with FCC regulations on electromagnetic interference for a Class A computing device, use a properly shielded and grounded cable such as Lexmark part number 1021231 for parallel attach or 1021294 for USB attach. Use of a substitute cable not properly shielded and grounded may result in a violation of FCC regulations.

Modular component notice

This product may contain the following modular component(s):

LEX-M01-003; FCC ID: IYLM01003; IC: 2376A-M01003

Licensing notices

All licensing notices associated with this product can be viewed from the root directory of the installation software CD.

Noise emission levels

The following measurements were made in accordance with ISO 7779 and reported in conformance with ISO 9296.

Note: Some modes may not apply to your product.

1-meter average sound pressure, dBA	
Printing	53 dBA
Ready	37 dBA

Values are subject to change. See www.lexmark.com for current values.

Waste from Electrical and Electronic Equipment (WEEE) directive



The WEEE logo signifies specific recycling programs and procedures for electronic products in countries of the European Union. We encourage the recycling of our products.

If you have further questions about recycling options, visit the Lexmark Web site at www.lexmark.com for your local sales office phone number.

Product disposal

Do not dispose of the printer or supplies in the same manner as normal household waste. Consult your local authorities for disposal and recycling options.

Static sensitivity notice



This symbol identifies static-sensitive parts. Do not touch in the areas near these symbols without first touching the metal frame of the printer.

ENERGY STAR

Any Lexmark product bearing the ENERGY STAR emblem on the product or on a start-up screen is certified to comply with Environmental Protection Agency (EPA) ENERGY STAR requirements as configured when shipped by Lexmark.



Temperature information

Ambient temperature	15.6 to 32.2° C (60 to 90° F) and 8% to 80% RH
Shipping and storage temperature	-40° to 43.3° C (110° F)

Laser notice

The printer is certified in the U.S. to conform to the requirements of DHHS 21 CFR, Chapter I, Subchapter J for Class I (1) laser products, and elsewhere is certified as a Class I laser product conforming to the requirements of IEC 60825-1.

Class I laser products are not considered to be hazardous. The printer contains internally a Class IIIb (3b) laser that is nominally a 7 milliwatt gallium arsenide laser operating in the wavelength of 655-675 nanometers. The laser system and printer are designed so there is never any human access to laser radiation above a Class I level during normal operation, user maintenance, or prescribed service condition.

Power consumption

Product power consumption

The following table documents the power consumption characteristics of the product.

Note: Some modes may not apply to your product.

Mode	Description	Power consumption (Watts)
Printing	The product is generating hard-copy output from electronic inputs.	600 W
Ready	The product is waiting for a print job.	105 W
Sleep Mode	The product is in a high-level energy-saving mode.	12 W
Hibernate	The product is in a low-level energy-saving mode.	4.2 W
Off	The product is plugged into a wall outlet, but the power switch is turned off.	0 W

The power consumption levels listed in the previous table represent time-averaged measurements. Instantaneous power draws may be substantially higher than the average.

Values are subject to change. See www.lexmark.com for current values.

Sleep Mode

This product is designed with an energy-saving mode called *Sleep Mode*. The Sleep Mode saves energy by lowering power consumption during extended periods of inactivity. The Sleep Mode is automatically engaged after this product is not used for a specified period of time, called the *Sleep Mode Timeout*.

Factory default Sleep Mode Timeout for this product (in minutes):	5
---	---

By using the configuration menus, the Sleep Mode Timeout can be modified between 1 minute and 240 minutes. Setting the Sleep Mode Timeout to a low value reduces energy consumption, but may increase the response time of the product. Setting the Sleep Mode Timeout to a high value maintains a fast response, but uses more energy.

Off mode

If this product has an off mode which still consumes a small amount of power, then to completely stop product power consumption, disconnect the power supply cord from the wall outlet.

Total energy usage

It is sometimes helpful to calculate the total product energy usage. Since power consumption claims are provided in power units of Watts, the power consumption should be multiplied by the time the product spends in each mode in order to calculate energy usage. The total product energy usage is the sum of each mode's energy usage.

Industry Canada compliance statement

This Class A digital apparatus meets all requirements of the Canadian Interference-Causing Equipment Standard ICES-003.

Avis de conformité aux normes de l'industrie du Canada

Cet appareil numérique de classe A est conforme aux exigences de la norme canadienne relative aux équipements pouvant causer des interférences NMB-003.

European Community (EC) directives conformity

This product is in conformity with the protection requirements of EC Council directives 2004/108/EC and 2006/95/EC on the approximation and harmonization of the laws of the Member States relating to electromagnetic compatibility and safety of electrical equipment designed for use within certain voltage limits.

The manufacturer of this product is: Lexmark International, Inc., 740 West New Circle Road, Lexington, KY, 40550 USA. The authorized representative is: Lexmark International Technology Hungária Kft., 8 Lechner Ödön fasor, Millennium Tower III, 1095 Budapest HUNGARY, A declaration of conformity to the requirements of the Directives is available upon request from the Authorized Representative.

This product satisfies the Class A limits of EN 55022 and safety requirements of EN 60950.

Radio interference notice

Warning

This is a product that complies with the emission requirements of EN55022 Class A limits and immunity requirements of EN55024. This product is not intended to be used in residential/domestic environments.

This is a Class A product. In a domestic environment, this product may cause radio interference, in which case the user may be required to take adequate measures.

Regulatory notices for wireless products

This section contains the following regulatory information pertaining to wireless products that contain transmitters, for example, but not limited to, wireless network cards or proximity card readers.

Exposure to radio frequency radiation

The radiated output power of this device is far below the radio frequency exposure limits of the FCC and other regulatory agencies. A minimum separation of 20 cm (8 inches) must be maintained between the antenna and any persons for this device to satisfy the RF exposure requirements of the FCC and other regulatory agencies.

Industry Canada (Canada)

This device complies with Industry Canada specification RSS-210. Operation is subject to the following two conditions: (1) this device may not cause interference, and (2) this device must accept any interference, including interference that may cause undesired operation of the device.

This device has been designed to operate only with the antenna provided. Use of any other antenna is strictly prohibited per regulations of Industry Canada.

To prevent radio interference to the licensed service, this device is intended to be operated indoors and away from windows to provide maximum shielding. Equipment (or its transmit antenna) that is installed outdoors is subject to licensing.

The installer of this radio equipment must ensure that the antenna is located or pointed such that it does not emit RF fields in excess of Health Canada limits for the general population; consult Safety Code 6, obtainable from Health Canada's Web site www.hc-sc.gc.ca/rpb.

The term "IC:" before the certification/registration number only signifies that the Industry Canada technical specifications were met.

Industry Canada (Canada)

Cet appareil est conforme à la norme RSS-210 d'Industry Canada. Son fonctionnement est soumis aux deux conditions suivantes :

(1) cet appareil ne doit pas provoquer d'interférences et (2) il doit accepter toute interférence reçue, y compris celles risquant d'altérer son fonctionnement.

Cet appareil a été conçu pour fonctionner uniquement avec l'antenne fournie. L'utilisation de toute autre antenne est strictement interdite par la réglementation d'Industry Canada.

En application des réglementations d'Industry Canada, l'utilisation d'une antenne de gain supérieur est strictement interdite.

Pour empêcher toute interférence radio au service faisant l'objet d'une licence, cet appareil doit être utilisé à l'intérieur et loin des fenêtres afin de garantir une protection optimale.

Si le matériel (ou son antenne d'émission) est installé à l'extérieur, il doit faire l'objet d'une licence.

L'installateur de cet équipement radio doit veiller à ce que l'antenne soit implantée et dirigée de manière à n'émettre aucun champ HF dépassant les limites fixées pour l'ensemble de la population par Santé Canada. Reportez-vous au Code de sécurité 6 que vous pouvez consulter sur le site Web de Santé Canada www.hc-sc.gc.ca/rpb.

Le terme « IC » précédant le numéro de d'accréditation/inscription signifie simplement que le produit est conforme aux spécifications techniques d'Industry Canada.

Notice to users in the European Union

Products bearing the CE mark are in conformity with the protection requirements of EC Council directives 2004/108/EC, 2006/95/EC, and 1999/5/EC on the approximation and harmonization of the laws of the Member States relating to electromagnetic compatibility, safety of electrical equipment designed for use within certain voltage limits and on radio equipment and telecommunications terminal equipment.

Compliance is indicated by the CE marking.



The manufacturer of this product is: Lexmark International, Inc., 740 West New Circle Road, Lexington, KY, 40550 USA. The authorized representative is: Lexmark International Technology Hungária Kft., 8 Lechner Ödön fasor, Millennium Tower III, 1095 Budapest HUNGARY, A declaration of conformity to the requirements of the Directives is available upon request from the Authorized Representative.

This product satisfies the Class A limits of EN 55022 and safety requirements of EN 60950.

Products equipped with 2.4GHz Wireless LAN option are in conformity with the protection requirements of EC Council directives 2004/108/EC, 2006/95/EC, and 1999/5/EC on the approximation and harmonization of the laws of the Member States relating to electromagnetic compatibility, safety of electrical equipment designed for use within certain voltage limits and on radio equipment and telecommunications terminal equipment.

Compliance is indicated by the CE marking.



Operation is allowed in all EU and EFTA countries, but is restricted to indoor use only.

The manufacturer of this product is: Lexmark International, Inc., 740 West New Circle Road, Lexington, KY, 40550 USA. The authorized representative is: Lexmark International Technology Hungária Kft., 8 Lechner Ödön fasor, Millennium Tower III, 1095 Budapest HUNGARY, A declaration of conformity to the requirements of the Directives is available upon request from the Authorized Representative.

This product may be used in the countries indicated in the table below.

AT	BE	BG	CH	CY	CZ	DE	DK	EE
EL	ES	FI	FR	HR	HU	IE	IS	IT
LI	LT	LU	LV	MT	NL	NO	PL	PT
RO	SE	SI	SK	TR	UK			

Česky	Společnost Lexmark International, Inc. tímto prohlašuje, že výrobek tento výrobek je ve shodě se základními požadavky a dalšími příslušnými ustanoveními směrnice 1999/5/ES.
Dansk	Lexmark International, Inc. erklærer herved, at dette produkt overholder de væsentlige krav og øvrige relevante krav i direktiv 1999/5/EF.
Deutsch	Hiermit erklärt Lexmark International, Inc., dass sich das Gerät dieses Gerät in Übereinstimmung mit den grundlegenden Anforderungen und den übrigen einschlägigen Bestimmungen der Richtlinie 1999/5/EG befindet.

Ελληνική	ΜΕ ΤΗΝ ΠΑΡΟΥΣΑ Η LEXMARK INTERNATIONAL, INC. ΔΗΛΩΝΕΙ ΟΤΙ ΑΥΤΟ ΤΟ ΠΡΟΪΟΝ ΣΥΜΜΟΡΦΩΝΕΤΑΙ ΠΡΟΣ ΤΙΣ ΟΥΣΙΩΔΕΙΣ ΑΠΑΙΤΗΣΕΙΣ ΚΑΙ ΤΙΣ ΛΟΙΠΕΣ ΣΧΕΤΙΚΕΣ ΔΙΑΤΑΞΕΙΣ ΤΗΣ ΟΔΗΓΙΑΣ 1999/5/ΕΚ.
English	Hereby, Lexmark International, Inc., declares that this type of equipment is in compliance with the essential requirements and other relevant provisions of Directive 1999/5/EC.
Español	Por medio de la presente, Lexmark International, Inc. declara que este producto cumple con los requisitos esenciales y cualesquiera otras disposiciones aplicables o exigibles de la Directiva 1999/5/CE.
Eesti	Käesolevaga kinnitab Lexmark International, Inc., et seade see toode vastab direktiivi 1999/5/EÜ põhinõuetele ja nimetatud direktiivist tulenevatele muudele asjakohastele sätetele.
Suomi	Lexmark International, Inc. vakuuttaa täten, että tämä tuote on direktiivin 1999/5/EY oleellisten vaatimusten ja muiden sitä koskevien direktiivin ehtojen mukainen.
Français	Par la présente, Lexmark International, Inc. déclare que l'appareil ce produit est conforme aux exigences fondamentales et autres dispositions pertinentes de la directive 1999/5/CE.
Magyar	Alulírott, Lexmark International, Inc. nyilatkozom, hogy a termék megfelel a vonatkozó alapvető követelményeknek és az 1999/5/EC irányelv egyéb előírásainak.
Íslenska	Hér með lýsir Lexmark International, Inc. yfir því að þessi vara er í samræmi við grunnkröfur og aðrar kröfur, sem gerðar eru í tilskipun 1999/5/EC.
Italiano	Con la presente Lexmark International, Inc. dichiara che questo questo prodotto è conforme ai requisiti essenziali ed alle altre disposizioni pertinenti stabilite dalla direttiva 1999/5/CE.
Latviski	Ar šo Lexmark International, Inc. deklarē, ka šis izstrādājums atbilst Direktīvas 1999/5/EK būtiskajām prasībām un citiem ar to saistītajiem noteikumiem.
Lietuvių	Šiuo Lexmark International, Inc. deklaruoja, kad šis produktas atitinka esminius reikalavimus ir kitas 1999/5/EB direktyvos nuostatas.
Malti	Bil-preżenti, Lexmark International, Inc., jiddikjara li dan il-prodott huwa konformi mal-ħtiġijiet essenzjali u ma dispozizzjonijiet oħrajn relevanti li jinsabu fid-Direttiva 1999/5/KE.
Nederlands	Hierbij verklaart Lexmark International, Inc. dat het toestel dit product in overeenstemming is met de essentiële eisen en de andere relevante bepalingen van richtlijn 1999/5/EG.
Norsk	Lexmark International, Inc. erklærer herved at dette produktet er i samsvar med de grunnleggende krav og øvrige relevante krav i direktiv 1999/5/EF.
Polski	Niniejszym Lexmark International, Inc. oświadcza, że niniejszy produkt jest zgodny z zasadniczymi wymogami oraz pozostałymi stosownymi postanowieniami Dyrektywy 1999/5/EC.
Português	A Lexmark International Inc. declara que este este produto está conforme com os requisitos essenciais e outras disposições da Diretiva 1999/5/CE.
Slovensky	Lexmark International, Inc. týmto vyhlasuje, že tento produkt spĺňa základné požiadavky a všetky príslušné ustanovenia smernice 1999/5/ES.
Slovensko	Lexmark International, Inc. izjavlja, da je ta izdelek v skladu z bistvenimi zahtevami in ostalimi relevantnimi določili direktive 1999/5/ES.
Svenska	Härmed intygar Lexmark International, Inc. att denna produkt står i överensstämmelse med de väsentliga egenskapskrav och övriga relevanta bestämmelser som framgår av direktiv 1999/5/EG.

Statement of Limited Warranty

Lexmark C925

Lexmark International, Inc., Lexington, KY

This limited warranty applies to the United States and Canada. For customers outside the U.S., refer to the country-specific warranty information that came with your product.

This limited warranty applies to this product only if it was originally purchased for your use, and not for resale, from Lexmark or a Lexmark Remarketer, referred to in this statement as "Remarketer."

Limited warranty

Lexmark warrants that this product:

- Is manufactured from new parts, or new and serviceable used parts, which perform like new parts
- Is, during normal use, free from defects in material and workmanship

If this product does not function as warranted during the warranty period, contact a Remarketer or Lexmark for repair or replacement (at Lexmark's option).

If this product is a feature or option, this statement applies only when that feature or option is used with the product for which it was intended. To obtain warranty service, you may be required to present the feature or option with the product.

If you transfer this product to another user, warranty service under the terms of this statement is available to that user for the remainder of the warranty period. You should transfer proof of original purchase and this statement to that user.

Limited warranty service

The warranty period starts on the date of original purchase as shown on the purchase receipt and ends 12 months later provided that the warranty period for any supplies and for any maintenance items included with the printer shall end earlier if it, or its original contents, are substantially used up, depleted, or consumed.

To obtain warranty service you may be required to present proof of original purchase. You may be required to deliver your product to the Remarketer or Lexmark, or ship it prepaid and suitably packaged to a Lexmark designated location. You are responsible for loss of, or damage to, a product in transit to the Remarketer or the Lexmark designated location.

When warranty service involves the exchange of a product or part, the item replaced becomes the property of the Remarketer or Lexmark. The replacement may be a new or repaired item.

The replacement item assumes the remaining warranty period of the original product.

Replacement is not available to you if the product you present for exchange is defaced, altered, in need of a repair not included in warranty service, damaged beyond repair, or if the product is not free of all legal obligations, restrictions, liens, and encumbrances.

Before you present this product for warranty service, remove all print cartridges, programs, data, and removable storage media (unless directed otherwise by Lexmark).

For further explanation of your warranty alternatives and the nearest Lexmark authorized servicer in your area contact Lexmark on the World Wide Web at <http://support.lexmark.com>.

Remote technical support is provided for this product throughout its warranty period. For products no longer covered by a Lexmark warranty, technical support may not be available or only be available for a fee.

Extent of limited warranty

Lexmark does not warrant uninterrupted or error-free operation of any product or the durability or longevity of prints produced by any product.

Warranty service does not include repair of failures caused by:

- Modification or unauthorized attachments
- Accidents, misuse, abuse or use inconsistent with Lexmark user's guides, manuals, instructions or guidance
- Unsuitable physical or operating environment
- Maintenance by anyone other than Lexmark or a Lexmark authorized servicer
- Operation of a product beyond the limit of its duty cycle
- Use of printing media outside of Lexmark specifications
- Refurbishment, repair, refilling or remanufacture by a third party of products, supplies or parts
- Products, supplies, parts, materials (such as toners and inks), software, or interfaces not furnished by Lexmark

TO THE EXTENT PERMITTED BY APPLICABLE LAW, NEITHER LEXMARK NOR ITS THIRD PARTY SUPPLIERS OR REMARKETERS MAKE ANY OTHER WARRANTY OR CONDITION OF ANY KIND, WHETHER EXPRESS OR IMPLIED, WITH RESPECT TO THIS PRODUCT, AND SPECIFICALLY DISCLAIM THE IMPLIED WARRANTIES OR CONDITIONS OF MERCHANTABILITY, FITNESS FOR A PARTICULAR PURPOSE, AND SATISFACTORY QUALITY. ANY WARRANTIES THAT MAY NOT BE DISCLAIMED UNDER APPLICABLE LAW ARE LIMITED IN DURATION TO THE WARRANTY PERIOD. NO WARRANTIES, EXPRESS OR IMPLIED, WILL APPLY AFTER THIS PERIOD. ALL INFORMATION, SPECIFICATIONS, PRICES, AND SERVICES ARE SUBJECT TO CHANGE AT ANY TIME WITHOUT NOTICE.

Limitation of liability

Your sole remedy under this limited warranty is set forth in this document. For any claim concerning performance or nonperformance of Lexmark or a Remarketer for this product under this limited warranty, you may recover actual damages up to the limit set forth in the following paragraph.

Lexmark's liability for actual damages from any cause whatsoever will be limited to the amount you paid for the product that caused the damages. This limitation of liability will not apply to claims by you for bodily injury or damage to real property or tangible personal property for which Lexmark is legally liable. **IN NO EVENT WILL LEXMARK BE LIABLE FOR ANY LOST PROFITS, LOST SAVINGS, INCIDENTAL DAMAGE, OR OTHER ECONOMIC OR CONSEQUENTIAL DAMAGES.**

This is true even if you advise Lexmark or a Remarketer of the possibility of such damages. Lexmark is not liable for any claim by you based on a third party claim.

This limitation of remedies also applies to claims against any Suppliers and Remarketers of Lexmark. Lexmark's and its Suppliers' and Remarketers' limitations of remedies are not cumulative. Such Suppliers and Remarketers are intended beneficiaries of this limitation.

Additional rights

Some states do not allow limitations on how long an implied warranty lasts, or do not allow the exclusion or limitation of incidental or consequential damages, so the limitations or exclusions contained above may not apply to you.

This limited warranty gives you specific legal rights. You may also have other rights that vary from state to state.

LEXMARK SOFTWARE LIMITED WARRANTY AND LICENSE AGREEMENT

PLEASE READ CAREFULLY BEFORE USING THIS PRODUCT: BY USING THIS PRODUCT, YOU AGREE TO BE BOUND BY ALL THE TERMS AND CONDITIONS OF THIS SOFTWARE LIMITED WARRANTY AND LICENSE AGREEMENT. IF YOU DO NOT AGREE WITH THE TERMS OF THIS SOFTWARE LIMITED WARRANTY AND LICENSE AGREEMENT, PROMPTLY RETURN THE PRODUCT UNUSED AND REQUEST A REFUND OF THE AMOUNT YOU PAID. IF YOU ARE INSTALLING THIS PRODUCT FOR USE BY OTHER PARTIES, YOU AGREE TO INFORM THE USERS THAT USE OF THE PRODUCT INDICATES ACCEPTANCE OF THESE TERMS.

LEXMARK SOFTWARE LICENSE AGREEMENT

This License Agreement ("Software License Agreement") is a legal agreement between you (either an individual or a single entity) and Lexmark International, Inc. ("Lexmark") that, to the extent your Lexmark product or Software Program is not otherwise subject to a written software license agreement between you and Lexmark or its suppliers, governs your use of any Software Program installed on or provided by Lexmark for use in connection with your Lexmark product. The term "Software Program" includes machine-readable instructions, audio/visual content (such as images and recordings), and associated media, printed materials and electronic documentation, whether incorporated into, distributed with or for use with your Lexmark product.

- 1 STATEMENT OF SOFTWARE LIMITED WARRANTY.** Lexmark warrants that the media (e.g., diskette or compact disk) on which the Software Program (if any) is furnished is free from defects in materials and workmanship under normal use during the warranty period. The warranty period is ninety (90) days and commences on the date the Software Program is delivered to the original end-user. This limited warranty applies only to Software Program media purchased new from Lexmark or an Authorized Lexmark Reseller or Distributor. Lexmark will replace the Software Program should it be determined that the media does not conform to this limited warranty.
- 2 DISCLAIMER AND LIMITATION OF WARRANTIES.** EXCEPT AS PROVIDED IN THIS SOFTWARE LICENSE AGREEMENT AND TO THE MAXIMUM EXTENT PERMITTED BY APPLICABLE LAW, LEXMARK AND ITS SUPPLIERS PROVIDE THE SOFTWARE PROGRAM "AS IS" AND HEREBY DISCLAIM ALL OTHER WARRANTIES AND CONDITIONS, EITHER EXPRESS OR IMPLIED, INCLUDING, BUT NOT LIMITED TO, TITLE, NON-INFRINGEMENT, MERCHANTABILITY AND FITNESS FOR A PARTICULAR PURPOSE, AND ABSENCE OF VIRUSES, ALL WITH REGARD TO THE SOFTWARE PROGRAM. TO THE EXTENT LEXMARK CANNOT BY LAW DISCLAIM ANY COMPONENT OF THE IMPLIED WARRANTIES OF MERCHANTABILITY OR FITNESS FOR A PARTICULAR PURPOSE, LEXMARK LIMITS THE DURATION OF SUCH WARRANTIES TO THE 90-DAY TERM OF THE EXPRESS SOFTWARE LIMITED WARRANTY.

This Agreement is to be read in conjunction with certain statutory provisions, as that may be in force from time to time, that imply warranties or conditions or impose obligations on Lexmark that cannot be excluded or modified. If any such provisions apply, then to the extent Lexmark is able, Lexmark hereby limits its liability for breach of those provisions to one of the following: providing you a replacement copy of the Software Program or reimbursement of the price paid for the Software Program.

The Software Program may include internet links to other software applications and/or internet web pages hosted and operated by third parties unaffiliated with Lexmark. You acknowledge and agree that Lexmark is not responsible in any way for the hosting, performance, operation, maintenance, or content of, such software applications and/or internet web pages.

- 3 LIMITATION OF REMEDY.** TO THE MAXIMUM EXTENT PERMITTED BY APPLICABLE LAW, ANY AND ALL LIABILITY OF LEXMARK UNDER THIS SOFTWARE LICENSE AGREEMENT IS EXPRESSLY LIMITED TO THE GREATER OF THE PRICE PAID FOR THE SOFTWARE PROGRAM AND FIVE U.S. DOLLARS (OR THE EQUIVALENT IN LOCAL CURRENCY). YOUR SOLE REMEDY AGAINST LEXMARK IN ANY DISPUTE UNDER THIS SOFTWARE LICENSE AGREEMENT SHALL BE TO SEEK TO RECOVER ONE OF THESE AMOUNTS, UPON PAYMENT OF WHICH LEXMARK SHALL BE RELEASED AND DISCHARGED OF ALL FURTHER OBLIGATIONS AND LIABILITY TO YOU.

IN NO EVENT WILL LEXMARK, ITS SUPPLIERS, SUBSIDIARIES, OR RESELLERS BE LIABLE FOR ANY SPECIAL, INCIDENTAL, INDIRECT, EXEMPLARY, PUNITIVE, OR CONSEQUENTIAL DAMAGES (INCLUDING BUT NOT LIMITED TO LOST PROFITS OR REVENUES, LOST SAVINGS, INTERRUPTION OF USE OR ANY LOSS OF, INACCURACY IN, OR DAMAGE TO, DATA

OR RECORDS, FOR CLAIMS OF THIRD PARTIES, OR DAMAGE TO REAL OR TANGIBLE PROPERTY, FOR LOSS OF PRIVACY ARISING OUT OR IN ANY WAY RELATED TO THE USE OF OR INABILITY TO USE THE SOFTWARE PROGRAM, OR OTHERWISE IN CONNECTION WITH ANY PROVISION OF THIS SOFTWARE LICENSE AGREEMENT), REGARDLESS OF THE NATURE OF THE CLAIM, INCLUDING BUT NOT LIMITED TO BREACH OF WARRANTY OR CONTRACT, TORT (INCLUDING NEGLIGENCE OR STRICT LIABILITY), AND EVEN IF LEXMARK, OR ITS SUPPLIERS, AFFILIATES, OR REMARKETERS HAVE BEEN ADVISED OF THE POSSIBILITY OF SUCH DAMAGES, OR FOR ANY CLAIM BY YOU BASED ON A THIRD-PARTY CLAIM, EXCEPT TO THE EXTENT THIS EXCLUSION OF DAMAGES IS DETERMINED LEGALLY INVALID. THE FOREGOING LIMITATIONS APPLY EVEN IF THE ABOVE-STATED REMEDIES FAIL OF THEIR ESSENTIAL PURPOSE.

- 4 U.S.A. STATE LAWS.** This Software Limited Warranty gives you specific legal rights. You may also have other rights that vary from state to state. Some states do not allow limitations on how long an implied warranty lasts or the exclusion of limitation of incidental or consequential damages, so the above limitations may not apply to you.
- 5 LICENSE GRANT.** Lexmark grants you the following rights provided you comply with all terms and conditions of this License Agreement:
- a Use.** You may Use one (1) copy of the Software Program. The term “Use” means storing, loading, installing, executing, or displaying the Software Program. If Lexmark has licensed the Software Program to you for concurrent use, you must limit the number of authorized users to the number specified in your agreement with Lexmark. You may not separate the components of the Software Program for use on more than one computer. You agree that you will not Use the Software Program, in whole or in part, in any manner that has the effect of overriding, modifying, eliminating, obscuring, altering or de-emphasizing the visual appearance of any trademark, trade name, trade dress or intellectual property notice that appears on any computer display screens normally generated by, or as a result of, the Software Program.
 - b Copying.** You may make one (1) copy of the Software Program solely for purposes of backup, archiving, or installation, provided the copy contains all of the original Software Program’s proprietary notices. You may not copy the Software Program to any public or distributed network.
 - c Reservation of Rights.** The Software Program, including all fonts, is copyrighted and owned by Lexmark International, Inc. and/or its suppliers. Lexmark reserves all rights not expressly granted to you in this License Agreement.
 - d Freeware.** Notwithstanding the terms and conditions of this License Agreement, all or any portion of the Software Program that constitutes software provided under public license by third parties (“Freeware”) is licensed to you subject to the terms and conditions of the software license agreement accompanying such Freeware, whether in the form of a discrete agreement, shrink-wrap license, or electronic license terms at the time of download. Use of the Freeware by you shall be governed entirely by the terms and conditions of such license.
- 6 TRANSFER.** You may transfer the Software Program to another end-user. Any transfer must include all software components, media, printed materials, and this License Agreement and you may not retain copies of the Software Program or components thereof. The transfer may not be an indirect transfer, such as a consignment. Prior to the transfer, the end-user receiving the transferred Software Program must agree to all these License Agreement terms. Upon transfer of the Software Program, your license is automatically terminated. You may not rent, sublicense, or assign the Software Program except to the extent provided in this License Agreement, and any attempt to do so shall be void.
- 7 UPGRADES.** To Use a Software Program identified as an upgrade, you must first be licensed to the original Software Program identified by Lexmark as eligible for the upgrade. After upgrading, you may no longer use the original Software Program that formed the basis for your upgrade eligibility.
- 8 LIMITATION ON REVERSE ENGINEERING.** You may not alter, decrypt, reverse engineer, reverse assemble, reverse compile or otherwise translate the Software Program, except as and to the extent expressly permitted to do so by applicable law for the purposes of inter-operability, error correction, and security testing. If you have such statutory rights, you will notify Lexmark in writing of any intended reverse engineering, reverse assembly, or reverse compilation. You may not decrypt the Software Program unless necessary for the legitimate Use of the Software Program.

- 9 ADDITIONAL SOFTWARE.** This License Agreement applies to updates or supplements to the original Software Program provided by Lexmark unless Lexmark provides other terms along with the update or supplement.
- 10 TERM.** This License Agreement is effective unless terminated or rejected. You may reject or terminate this license at any time by destroying all copies of the Software Program, together with all modifications, documentation, and merged portions in any form, or as otherwise described herein. Lexmark may terminate your license upon notice if you fail to comply with any of the terms of this License Agreement. Upon such termination, you agree to destroy all copies of the Software Program together with all modifications, documentation, and merged portions in any form.
- 11 TAXES.** You agree that you are responsible for payment of any taxes including, without limitation, any goods and services and personal property taxes, resulting from this Agreement or your Use of the Software Program.
- 12 LIMITATION ON ACTIONS.** No action, regardless of form, arising out of this Agreement may be brought by either party more than two years after the cause of action has arisen, except as provided under applicable law.
- 13 APPLICABLE LAW.** This Agreement is governed by the laws of the Commonwealth of Kentucky, United States of America. No choice of law rules in any jurisdiction shall apply. The UN Convention on Contracts for the International Sale of Goods shall not apply.
- 14 UNITED STATES GOVERNMENT RESTRICTED RIGHTS.** The Software Program has been developed entirely at private expense. Rights of the United States Government to use the Software Program is as set forth in this Agreement and as restricted in DFARS 252.227-7014 and in similar FAR provisions (or any equivalent agency regulation or contract clause).
- 15 CONSENT TO USE OF DATA.** You agree that Lexmark, its affiliates, and agents may collect and use information you provide in relation to support services performed with respect to the Software Program and requested by you. Lexmark agrees not to use this information in a form that personally identifies you except to the extent necessary to provide such services.
- 16 EXPORT RESTRICTIONS.** You may not (a) acquire, ship, transfer, or reexport, directly or indirectly, the Software Program or any direct product therefrom, in violation of any applicable export laws or (b) permit the Software Program to be used for any purpose prohibited by such export laws, including, without limitation, nuclear, chemical, or biological weapons proliferation.
- 17 AGREEMENT TO CONTRACT ELECTRONICALLY.** You and Lexmark agree to form this License Agreement electronically. This means that when you click the “Agree” or “Yes” button on this page or use this product, you acknowledge your agreement to these License Agreement terms and conditions and that you are doing so with the intent to “sign” a contract with Lexmark.
- 18 CAPACITY AND AUTHORITY TO CONTRACT.** You represent that you are of the legal age of majority in the place you sign this License Agreement and, if applicable, you are duly authorized by your employer or principal to enter into this contract.
- 19 ENTIRE AGREEMENT.** This License Agreement (including any addendum or amendment to this License Agreement that is included with the Software Program) is the entire agreement between you and Lexmark relating to the Software Program. Except as otherwise provided for herein, these terms and conditions supersede all prior or contemporaneous oral or written communications, proposals, and representations with respect to the Software Program or any other subject matter covered by this License Agreement (except to the extent such extraneous terms do not conflict with the terms of this License Agreement, any other written agreement signed by you and Lexmark relating to your Use of the Software Program). To the extent any Lexmark policies or programs for support services conflict with the terms of this License Agreement, the terms of this License Agreement shall control.

MICROSOFT CORPORATION NOTICES

- 1** This product may incorporate intellectual property owned by Microsoft Corporation. The terms and conditions upon which Microsoft is licensing such intellectual property may be found at <http://go.microsoft.com/fwlink/?LinkId=52369>.

- 2 This product is based on Microsoft Print Schema technology. You may find the terms and conditions upon which Microsoft is licensing such intellectual property at <http://go.microsoft.com/fwlink/?LinkId=83288>.

ADOBE SYSTEMS INCORPORATED NOTICE

Contains Flash®, Flash® Lite™ and/or Reader® technology by Adobe Systems Incorporated

This Product contains Adobe® Flash® player software under license from Adobe Systems Incorporated, Copyright © 1995-2007 Adobe Macromedia Software LLC. All rights reserved. Adobe, Reader and Flash are trademarks of Adobe Systems Incorporated.

Patent acknowledgment

The use of this product or service is subject to the reasonable, non-discriminatory terms in the Intellectual Property Rights (IPR) Disclosure of Certicom Corp. at the IETF for Elliptic Curve Cryptography (ECC) Cipher Suites for Transport Layer Security (TLS) implemented in the product or service.

The use of this product or service is subject to the reasonable, non-discriminatory terms in the Intellectual Property Rights (IPR) Disclosure of Certicom Corp. at the IETF for TLS Elliptic Curve Cipher Suites with SHA-256/382 and AES Galois Counter Mode (GCM) implemented in the product or service.

The use of this product or service is subject to the reasonable, non-discriminatory terms in the Intellectual Property Rights (IPR) Disclosure of Certicom Corp. at the IETF for TLS Suite B Profile for Transport Layer Security (TLS) implemented in the product or service.

The use of this product or service is subject to the reasonable, non-discriminatory terms in the Intellectual Property Rights (IPR) Disclosure of Certicom Corp. at the IETF for Addition of the Camellia Cipher Suites to Transport Layer Security (TLS) implemented in the product or service.

The use of certain patents in this product or service is subject to the reasonable, non-discriminatory terms in the Intellectual Property Rights (IPR) Disclosure of Certicom Corp. at the IETF for AES-CCM ECC Cipher Suites for TLS implemented in the product or service.

The use of this product or service is subject to the reasonable, non-discriminatory terms in the Intellectual Property Rights (IPR) Disclosure of Certicom Corp. at the IETF for IKE and IKEv2 Authentication Using the Elliptic Curve Digital Signature Algorithm (ECDSA) implemented in the product or service.

The use of this product or service is subject to the reasonable, non-discriminatory terms in the Intellectual Property Rights (IPR) Disclosure of Certicom Corp. at the IETF for Suite B Cryptographic Suites for IPsec implemented in the product or service.

The use of this product or service is subject to the reasonable, non-discriminatory terms in the Intellectual Property Rights (IPR) Disclosure of Certicom Corp. at the IETF for Algorithms for Internet Key Exchange version 1 (IKEv1) implemented in the product or service.

Free Manuals Download Website

<http://myh66.com>

<http://usermanuals.us>

<http://www.somanuals.com>

<http://www.4manuals.cc>

<http://www.manual-lib.com>

<http://www.404manual.com>

<http://www.luxmanual.com>

<http://aubethermostatmanual.com>

Golf course search by state

<http://golfingnear.com>

Email search by domain

<http://emailbydomain.com>

Auto manuals search

<http://auto.somanuals.com>

TV manuals search

<http://tv.somanuals.com>