



X925

User's Guide

November 2012

www.lexmark.com

Machine type(s):

7541

Model(s):

032, 036, 096

Contents

- Safety information.....15**
- Learning about the printer.....17**
 - Finding information about the printer.....17
 - Selecting a location for the printer.....18
 - Printer configurations.....19
 - Basic functions of the scanner.....21
 - Understanding the ADF and scanner glass.....22
 - Understanding the printer control panel.....23
- Understanding the home screen.....25**
 - Understanding the home screen.....25
 - Using the touch-screen buttons.....26
- Setting up and using the home screen applications.....30**
 - Finding the IP address of the printer.....30
 - Accessing the Embedded Web Server.....30
 - Exporting and importing a configuration using the Embedded Web Server.....31
 - Activating the home screen applications.....32
 - Setting up Forms and Favorites32
 - Setting up Scan to Network32
 - Setting up My MFP33
 - Understanding WS-Scan33
 - Setting up Remote Operator Panel.....33
- Additional printer setup.....35**
 - Installing internal options.....35
 - Available internal options35
 - Accessing the system board.....36
 - Installing a memory card37
 - Installing a flash memory or firmware card.....39
 - Installing an Internal Solutions Port.....40
 - Installing a printer hard disk44
 - Removing a printer hard disk.....45
 - Installing optional trays.....46
 - Order of installation.....46
 - Installing a printer stand and optional tray47
 - Installing 550-sheet trays.....53

- Attaching cables.....60
- Verifying printer setup.....61
 - Printing a menu settings page 61
 - Printing a network setup page..... 61
- Setting up the printer software.....61
 - Installing the printer software 61
 - Updating available options in the printer driver 62
- Setting up wireless printing.....63
 - Preparing to set up the printer on a wireless network 63
 - Installing the printer on a wireless network (Windows)..... 64
 - Installing the printer on a wireless network (Macintosh)..... 66
- Installing the printer on an Ethernet network.....68
- Changing port settings after installing a new network Internal Solutions Port.....71
- Setting up serial printing.....72

Minimizing your printer's environmental impact.....75

- Saving paper and toner.....75
 - Using recycled paper 75
 - Conserving supplies 75
- Saving energy.....76
 - Using Eco-Mode..... 76
 - Reducing printer noise..... 76
 - Adjusting Sleep Mode 77
 - Using Hibernate Mode..... 78
 - Adjusting the brightness of the display 78
 - Setting the standard exit bin light..... 79
- Recycling.....79
 - Recycling Lexmark products 79
 - Recycling Lexmark packaging..... 80
 - Returning Lexmark cartridges for reuse or recycling 80

Loading paper and specialty media.....81

- Setting the paper size and type.....81
- Configuring Universal paper settings.....81
- Loading the standard or optional 550-sheet tray.....82
- Loading the multipurpose feeder.....86
- Linking and unlinking trays.....88
 - Linking trays..... 88
 - Unlinking trays 88
 - Creating a custom name for a paper type 89
 - Assigning a custom paper type name 89

Configuring a custom name 89

Paper and specialty media guidelines.....90

Paper guidelines.....90

- Paper characteristics.....90
- Unacceptable paper.....91
- Selecting paper91
- Selecting preprinted forms and letterhead91
- Using recycled paper and other office papers91
- Storing paper92

Supported paper sizes, types, and weights.....93

- Supported paper sizes93
- Supported paper types and weights.....95

Printing.....96

Printing a document.....96

- Printing a document96
- Printing in black and white96
- Adjusting toner darkness.....96
- Printing from a mobile device.....97

Printing from a flash drive.....97

- Printing from a flash drive97
- Supported flash drives and file types.....98

Printing on specialty media.....99

- Tips on using letterhead99
- Tips on using transparencies99
- Tips on using envelopes.....100
- Tips on using labels.....100
- Tips on using card stock.....101

Printing confidential and other held jobs.....101

- Storing print jobs in the printer101
- Printing confidential and other held jobs102

Printing information pages.....102

- Printing a font sample list102
- Printing a directory list.....103

Using Max Speed and Max Yield.....103

Canceling a print job.....103

- Canceling a print job from the printer control panel.....103
- Canceling a print job from the computer104

Copying.....105

Making copies.....105

- Making a quick copy 105
- Copying using the ADF 105
- Copying using the scanner glass 106
- Copying film photos 106
- Copying on specialty media..... 106
 - Copying on transparencies 106
 - Copying on letterhead 106
- Customizing copy settings..... 107
 - Copying to a different size 107
 - Making copies using paper from a selected tray 107
 - Copying different paper sizes 108
 - Copying on both sides of the paper (duplexing) 108
 - Reducing or enlarging copies 109
 - Adjusting copy quality 109
 - Collating copies 110
 - Placing separator sheets between copies..... 110
 - Copying multiple pages onto a single sheet 111
 - Creating a custom copy job (job build) 111
- Placing information on copies..... 112
 - Placing the date and time at the top of each page 112
 - Placing an overlay message on each page 112
- Canceling a copy job..... 112
 - Canceling a copy job while the document is in the ADF 112
 - Canceling a copy job while copying pages using the scanner glass 112
 - Canceling a copy job while pages are being printed..... 113
- Understanding the copy screens and options..... 113
 - Copy from 113
 - Copy to..... 113
 - Copies 113
 - Scale 113
 - Darkness 114
 - Sides (Duplex) 114
 - Collate 114
 - Content 114
 - Color 114
 - Advanced Options..... 115
 - Save As Shortcut 115

E-mailing..... 116

- Getting ready to e-mail..... 116
 - Setting up the e-mail function 116
 - Configuring e-mail settings 116
- Creating an e-mail shortcut..... 117

- Creating an e-mail shortcut using the Embedded Web Server..... 117
- Creating an e-mail shortcut using the touch screen 117
- E-mailing a document.....118
 - Sending an e-mail using the touch screen 118
 - Sending an e-mail using a shortcut number 118
 - Sending an e-mail using the address book 118
- Customizing e-mail settings.....119
 - Adding e-mail subject and message information 119
 - Changing the output file type 119
- Canceling an e-mail.....120
- Understanding e-mail options.....120
 - Recipients 120
 - Subject 120
 - Message 120
 - File Name 120
 - Original Size 120
 - Resolution 121
 - Color 121
 - Content 121
 - Darkness 121
 - Send As 121
 - Page Setup 122
 - Scan Preview 122
 - Advanced Options..... 122

Faxing.....123

- Getting the printer ready to fax.....123
 - Initial fax setup 123
 - Choosing a fax connection 124
 - Connecting to an analog telephone line 124
 - Connecting to a DSL service 125
 - Connecting to a PBX or ISDN system 125
 - Connecting to a distinctive ring service 126
 - Connecting to an adapter for your country or region 126
 - Setting the outgoing fax or station name and number 127
 - Setting the date and time 127
 - Configuring the printer to observe daylight saving time 128
- Creating shortcuts.....128
 - Creating a fax destination shortcut using the Embedded Web Server 128
 - Creating a fax destination shortcut using the touch screen 129
- Sending a fax.....129
 - Sending a fax using the touch screen 129
 - Sending a fax using the computer 129

- Sending a fax using shortcuts 130
- Sending a fax using the address book..... 130
- Customizing fax settings.....131
 - Changing the fax resolution 131
 - Making a fax lighter or darker 131
 - Sending a fax at a scheduled time 131
 - Viewing a fax log 132
 - Blocking junk faxes..... 132
- Canceling an outgoing fax.....132
 - Canceling a fax while the original documents are still scanning..... 132
 - Canceling a fax after the original documents have been scanned to memory..... 133
- Understanding fax options.....133
 - Content 133
 - Resolution 133
 - Darkness 134
 - Color 134
 - Page Setup 134
 - Scan Preview 134
 - Delayed Send 134
 - Advanced Options..... 134
- Holding and forwarding faxes.....135
 - Holding faxes 135
 - Forwarding a fax 135

Scanning to an FTP address.....137

- Creating shortcuts.....137
 - Creating an FTP shortcut using the Embedded Web Server 137
 - Creating an FTP shortcut using the touch screen 138
- Scanning to an FTP address.....138
 - Scanning to an FTP address using the touch screen 138
 - Scanning to an FTP address using a shortcut number 138
 - Scanning to an FTP address using the address book 139
- Understanding FTP options.....139
 - FTP 139
 - File Name 139
 - Original Size 139
 - Send As 139
 - Color 140
 - Resolution 140
 - Darkness 140
 - Page Setup 140
 - Content 140
 - Scan Preview 141

Advanced Options..... 141

Scanning to a computer or flash drive.....142

Scanning to a computer.....142

Scanning to a flash drive.....143

Understanding the Scan Center features.....143

Using the ScanBack Utility.....143

Understanding scan profile options.....144

 Original Size144

 Resolution144

 Color144

 Content144

 Darkness145

 Page Setup145

 Scan Preview145

 Advanced Options.....145

Understanding printer menus.....146

Menus list.....146

Supplies menu.....147

Paper menu.....149

 Default Source menu149

 Paper Size/Type menu150

 Configure MP menu153

 Substitute Size menu153

 Paper Weight menu153

 Paper Loading menu155

 Custom Types menu157

 Custom Names menu157

 Custom Scan Sizes menu157

 Universal Setup menu.....158

Reports menu.....158

 Reports menu158

Network/Ports menu.....160

 Active NIC menu160

 Standard Network or Network [x] menus.....160

 Network Reports menu162

 Network Card menu.....162

 TCP/IP menu162

 IPv6 menu163

 Wireless menu164

 AppleTalk menu165

- Standard USB menu 165
- Parallel [x] menu 167
- Serial [x] menu 169
- SMTP Setup menu 171
- Security menu..... 172
 - Editing Security Setups menu 172
 - Miscellaneous Security Settings menu 173
 - Confidential Print menu..... 174
 - Disk Wiping menu 175
 - Security Audit Log menu 176
 - Set Date and Time menu 177
- Settings menu..... 178
 - General Settings menu 178
 - Copy Settings menu 187
 - Fax Settings menu..... 191
 - E-mail Settings menu 200
 - FTP Settings menu 206
 - Flash Drive menu 210
 - Print Settings..... 215
- Help menu..... 228

Securing the memory before moving the printer.....230

- Statement of Volatility..... 230
- Erasing volatile memory..... 230
- Erasing non-volatile memory..... 231
- Erasing printer hard disk memory..... 231
- Configuring printer hard disk encryption..... 232

Maintaining the printer.....233

- Cleaning the exterior of the printer..... 233
- Cleaning the scanner glass..... 233
- Cleaning the ADF parts..... 234
- Cleaning the printhead lenses..... 235
- Storing supplies..... 238
- Checking the status of supplies..... 239
 - Checking the status of supplies from the printer control panel 239
 - Checking the status of supplies from a network computer 239
- Ordering supplies..... 239
 - Ordering toner cartridges 239
 - Ordering imaging units 240
 - Ordering a fuser or a transfer module 240

| | |
|--|------------|
| Ordering a waste toner bottle | 240 |
| Ordering ADF replacement parts | 241 |
| Replacing Supplies..... | 241 |
| Replacing an imaging unit..... | 241 |
| Replacing a toner cartridge..... | 244 |
| Replacing the waste toner bottle | 246 |
| Moving the printer..... | 247 |
| Before moving the printer | 247 |
| Moving the printer to another location..... | 248 |
| Shipping the printer | 248 |
| Administrative support..... | 249 |
| Finding advanced networking and administrator information..... | 249 |
| Using the Embedded Web Server..... | 249 |
| Checking the virtual display..... | 249 |
| Checking the status of the printer..... | 249 |
| Setting up e-mail alerts..... | 250 |
| Viewing reports..... | 250 |
| Restoring factory default settings..... | 251 |
| Clearing jams..... | 252 |
| Avoiding jams..... | 252 |
| Understanding jam numbers and locations..... | 252 |
| 200 paper jam..... | 254 |
| 201 paper jam..... | 255 |
| 203 paper jam..... | 256 |
| 230 paper jam..... | 257 |
| 231–239 paper jams..... | 257 |
| 24x paper jam..... | 258 |
| 250 paper jam..... | 261 |
| 280–289 paper jams..... | 261 |
| 290–292 paper jams..... | 262 |
| 451 paper jam..... | 262 |
| Troubleshooting..... | 263 |
| Solving basic printer problems..... | 263 |
| Understanding printer messages..... | 263 |
| Adjusting color | 263 |
| An error has occurred with the USB drive. Please remove and reinsert drive. | 263 |

Change [paper source] to [custom type name] 263

Change [paper source] to [custom type name] load [orientation] 264

Change [paper source] to [custom string] 264

Change [paper source] to [custom string] load [orientation] 264

Change [paper source] to [paper size] [paper type] 264

Change [paper source] to [paper size] [paper type] load [orientation] 264

Close [tray] door 264

Close front or side door 265

Disk corrupted 265

Disk near full. Securely clearing disk space 265

Disk problem 265

Error reading USB drive. Remove USB 265

Insert Tray [x] 265

Install Tray [x] 265

Load [src] with [custom type name] 266

Load [src] with [custom string] 266

Load [src] with [size] 266

Load [src] with [type] [size] 266

Load Manual Feeder with [custom type name] 266

Load Manual Feeder with [custom string] 267

Load Manual Feeder with [paper size] 267

Load Manual Feeder with [paper type] [paper size] 267

Paper changes needed 267

Remove paper from standard output bin 267

Replace separator pad 267

Restore held jobs? 267

Some held jobs were not restored 268

Supply needed to complete job 268

Tray [x] paper size unsupported 268

Unsupported disk 268

1565 Emulation error, load emulation option 268

30.xx Missing [color] cartridge and/or [color] imaging unit 268

31.xx Missing or defective [color] cartridge 268

32.xx [color] cartridge part number unsupported by device 268

34 Incorrect paper size, open [src] 269

35 Insufficient memory to support Resource Save feature 269

36 Printer service required 269

37 Insufficient memory to collate job 269

37 Insufficient memory for Flash Memory Defragment operation 269

37 Insufficient memory, some Held Jobs were deleted 269

37 Insufficient memory, some held jobs will not be restored 270

38 Memory full 270

39 Complex page, some data may not have printed 270

51 Defective flash detected 270

52 Not enough free space in flash memory for resources 270

| | |
|--|-----|
| 53 Unformatted flash detected | 270 |
| 54 Serial option [x] error..... | 270 |
| 54 Standard network software error | 271 |
| 54 Network [x] software error..... | 271 |
| 55 Unsupported option in slot [x]..... | 271 |
| 56 Parallel port [x] disabled | 271 |
| 56 Serial port [x] disabled | 271 |
| 56 Standard parallel port disabled..... | 272 |
| 56 Standard USB port disabled | 272 |
| 56 USB port [x] disabled | 272 |
| 57 Configuration change, some held jobs were not restored | 272 |
| 58 Input config error | 272 |
| 58 Too many disks installed | 272 |
| 58 Too many flash options installed | 273 |
| 58 Too many trays attached | 273 |
| 61 Remove defective disk..... | 273 |
| 62 Disk full | 273 |
| 80.xx Fuser near life warning..... | 273 |
| 80.xx Fuser life warning | 274 |
| 80.xx Replace fuser | 274 |
| 80.xx Fuser missing..... | 274 |
| 82.xx Replace waste toner bottle | 274 |
| 82.xx Waste toner bottle nearly full | 274 |
| 83.xx Transfer module life warning | 274 |
| 83.xx Transfer module missing | 274 |
| 83.xx Replace transfer module | 274 |
| 84 Defective [color] imaging unit..... | 275 |
| 84.xx [color] imaging unit nearly low..... | 275 |
| 84.xx [color] imaging unit low..... | 275 |
| 84.xx Replace [color] imaging unit and [color] cartridge..... | 275 |
| 84 Unsupported [color] imaging unit..... | 275 |
| 88.xx [color] cartridge nearly low | 275 |
| 88.xx [color] cartridge low | 275 |
| 88.2x Replace [color] cartridge | 276 |
| Solving printing problems..... | 276 |
| Multiple-language PDF files do not print..... | 276 |
| Printer control panel display is blank or displays only diamonds | 276 |
| Error message about reading USB drive appears | 276 |
| Print jobs do not print..... | 276 |
| Confidential and other held jobs do not print | 277 |
| Print job takes longer than expected..... | 278 |
| Job prints from the wrong tray or on the wrong paper..... | 278 |
| Incorrect characters print | 278 |
| Tray linking does not work..... | 278 |
| Large jobs do not collate..... | 279 |

| | |
|---|-----|
| Unexpected page breaks occur..... | 279 |
| Solving copy problems..... | 279 |
| Copier does not respond | 279 |
| Scanner unit does not close..... | 280 |
| Poor copy quality..... | 280 |
| Partial document or photo copies | 281 |
| Solving scanner problems..... | 282 |
| Checking an unresponsive scanner..... | 282 |
| Scan was not successful..... | 282 |
| Scanning takes too long or freezes the computer | 282 |
| Poor scanned image quality..... | 283 |
| Partial document or photo scans..... | 283 |
| Cannot scan from a computer | 284 |
| Solving fax problems..... | 284 |
| Fax and e-mail functions are not set up | 284 |
| Caller ID is not shown | 284 |
| Cannot send or receive a fax | 285 |
| Can send but not receive faxes..... | 286 |
| Can receive but not send faxes..... | 287 |
| Received fax has poor print quality | 287 |
| Solving home screen applications problems..... | 288 |
| An application error has occurred | 288 |
| Solving option problems..... | 289 |
| Option does not operate correctly or quits after it is installed | 289 |
| Paper tray problems | 289 |
| Cannot detect flash memory card | 290 |
| Cannot detect printer hard disk..... | 290 |
| Internal Solutions Port does not operate correctly | 290 |
| Internal print server does not operate correctly | 290 |
| Memory card | 291 |
| USB/parallel interface card does not operate correctly | 291 |
| Solving paper feed problems..... | 291 |
| Paper frequently jams..... | 291 |
| Paper jam message remains after jam is cleared | 291 |
| Jammed pages are not reprinted..... | 292 |
| Solving print quality problems..... | 292 |
| Characters have jagged or uneven edges | 292 |
| Clipped images..... | 292 |
| Fine horizontal lines appear on color pages | 293 |
| Gray background..... | 293 |
| Incorrect margins..... | 293 |
| Light colored line, white line, or incorrectly colored line appears on prints | 294 |
| Paper curl..... | 295 |


| | |
|---|------------|
| Print irregularities | 295 |
| Print is too dark | 296 |
| Print is too light..... | 297 |
| Printer is printing blank pages | 298 |
| Repeating defects appear on a page | 298 |
| Shadow images appear on prints | 299 |
| Skewed print..... | 300 |
| Solid color pages | 300 |
| Streaked horizontal lines appear on prints..... | 301 |
| Streaked vertical lines appear on prints | 301 |
| Toner fog or background shading appears on the page | 302 |
| Toner rubs off | 302 |
| Toner specks | 302 |
| Transparency print quality is poor | 303 |
| Uneven print density | 303 |
| Solving color quality problems..... | 303 |
| FAQ about color printing | 303 |
| Embedded Web Server does not open..... | 306 |
| Check the network connection..... | 306 |
| Check the address entered in the Web browser | 307 |
| Temporarily disable Web proxy servers | 307 |
| Contacting customer support..... | 307 |
| Notices..... | 308 |
| Product information..... | 308 |
| Edition notice..... | 308 |
| Power consumption..... | 311 |
| Index..... | 326 |


Safety information


Connect the power cord to a properly grounded electrical outlet that is near the product and easily accessible.


Do not place or use this product near water or wet locations.

This product uses a printing process that heats the print media, and the heat may cause the media to release emissions. You must understand the section in your operating instructions that discusses the guidelines for selecting print media to avoid the possibility of harmful emissions.

 **CAUTION—POTENTIAL INJURY:** The lithium battery in this product is not intended to be replaced. There is a danger of explosion if a lithium battery is incorrectly replaced. Do not recharge, disassemble, or incinerate a lithium battery. Discard used lithium batteries according to the manufacturer's instructions and local regulations.

 **CAUTION—HOT SURFACE:** The inside of the printer might be hot. To reduce the risk of injury from a hot component, allow the surface to cool before touching.


 **CAUTION—POTENTIAL INJURY:** The printer weight is greater than 18 kg (40 lb) and requires two or more trained personnel to lift it safely.


 **CAUTION—POTENTIAL INJURY:** Before moving the printer, follow these guidelines to avoid personal injury or printer damage:


- Turn the printer off using the power switch, and then unplug the power cord from the wall outlet.
- Disconnect all cords and cables from the printer before moving it.
- Lift the printer off the optional drawer, and set it aside instead of trying to lift the drawer and printer at the same time.

Note: Use the handholds located on both sides of the printer to lift it off the optional drawer.


Use only the power cord provided with this product or the manufacturer's authorized replacement.

 **CAUTION—POTENTIAL INJURY:** To reduce risk of fire, use only the telecommunications (RJ-11) cord provided with this product or a UL Listed 26 AWG or larger replacement when connecting this product to the public switched telephone network.


 **CAUTION—SHOCK HAZARD:** If you are accessing the system board or installing optional hardware or memory devices sometime after setting up the printer, then turn the printer off, and unplug the power cord from the wall outlet before continuing. If you have any other devices attached to the printer, then turn them off as well, and unplug any cables going into the printer.


 **CAUTION—SHOCK HAZARD:** Make sure that all external connections (such as Ethernet and telephone system connections) are properly installed in their marked plug-in ports.


This product is designed, tested, and approved to meet strict global safety standards with the use of specific manufacturer's components. The safety features of some parts may not always be obvious. The manufacturer is not responsible for the use of other replacement parts.


 **CAUTION—POTENTIAL INJURY:** Do not cut, twist, bind, crush, or place heavy objects on the power cord. Do not subject the power cord to abrasion or stress. Do not pinch the power cord between objects such as furniture and walls. If any of these things happen, a risk of fire or electrical shock results. Inspect the power cord regularly for signs of such problems. Remove the power cord from the electrical outlet before inspecting it.

Refer service or repairs, other than those described in the user documentation, to a professional service person.

 **CAUTION—SHOCK HAZARD:** To avoid the risk of electric shock when cleaning the exterior of the printer, unplug the power cord from the wall outlet and disconnect all cables from the printer before proceeding.

 **CAUTION—SHOCK HAZARD:** Do not use the fax feature during a lightning storm. Do not set up this product or make any electrical or cabling connections, such as the fax feature, power cord, or telephone, during a lightning storm.


 **CAUTION—TIPPING HAZARD:** Floor-mounted configurations require additional furniture for stability. You must use either a printer stand or printer base if you are using a high-capacity input tray, a duplex unit and an input option, or more than one input option. If you purchased a multifunction printer (MFP) that scans, copies, and faxes, you may need additional furniture. For more information, see www.lexmark.com/multifunctionprinters.

 **CAUTION—POTENTIAL INJURY:** To reduce the risk of equipment instability, load each paper drawer or tray separately. Keep all other drawers or trays closed until needed.

SAVE THESE INSTRUCTIONS.


Learning about the printer

Finding information about the printer

| What are you looking for? | Find it here |
|---|--|
| Initial setup instructions: <ul style="list-style-type: none"> • Connecting the printer • Installing the printer software | Setup documentation—The setup documentation came with the printer and is also available at http://support.lexmark.com . |
| Additional setup and instructions for using the printer: <ul style="list-style-type: none"> • Selecting and storing paper and specialty media • Loading paper • Configuring printer settings • Viewing and printing documents and photos • Setting up and using the printer software • Configuring the printer on a network • Caring for and maintaining the printer • Troubleshooting and solving problems | <i>User's Guide</i> and <i>Quick Reference Guide</i> —The guides may be available on the <i>Software and Documentation</i> CD. For more information, visit http://support.lexmark.com . |
| Instructions for: <ul style="list-style-type: none"> • Connecting the printer to an Ethernet network • Troubleshooting printer connection problems | <i>Networking Guide</i> —Open the <i>Software and Documentation</i> CD, and then look for <i>Printer and Software Documentation</i> under the Pubs folder. From the list of publications, click the Networking Guide link. |
| Help using the printer software | Windows or Mac Help—Open a printer software program or application, and then click Help . Click  to view context-sensitive information. Notes: <ul style="list-style-type: none"> • Help is automatically installed with the printer software. • The printer software is located in the printer program folder or on the desktop, depending on your operating system. |

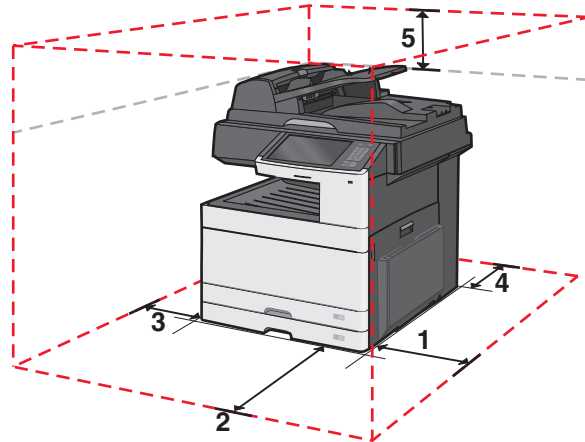
| What are you looking for? | Find it here |
|--|---|
| <p>The latest supplemental information, updates, and customer support:</p> <ul style="list-style-type: none"> • Documentation • Driver downloads • Live chat support • E-mail support • Voice support | <p>Lexmark Support Web site— http://support.lexmark.com</p> <p>Note: Select your country or region, and then select your product to view the appropriate support site.</p> <p>Support telephone numbers and hours of operation for your country or region can be found on the Support Web site or on the printed warranty that came with your printer.</p> <p>Record the following information (located on the store receipt and at the back of the printer), and have it ready when you contact customer support so that they may serve you faster:</p> <ul style="list-style-type: none"> • Machine Type number • Serial number • Date purchased • Store where purchased |
| <p>Warranty information</p> | <p>Warranty information varies by country or region:</p> <ul style="list-style-type: none"> • In the U.S.—See the Statement of Limited Warranty included with this printer, or at http://support.lexmark.com. • In other countries and regions—See the printed warranty that came with your printer. |

Selecting a location for the printer

 **CAUTION—POTENTIAL INJURY:** The printer weight is greater than 18 kg (40 lb) and requires two or more trained personnel to lift it safely.

When selecting a location for the printer, leave enough room to open trays, covers, and doors. If you plan to install any options, then leave enough room for them too. It is important to:

- Make sure airflow in the room meets the latest revision of the ASHRAE 62 standard or the CEN Technical Committee 156 standard.
- Provide a flat, sturdy, and stable surface.
- Keep the printer:
 - Away from the direct airflow of air conditioners, heaters, or ventilators
 - Free from direct sunlight, humidity extremes, or temperature fluctuations
 - Clean, dry, and free of dust
- Allow the following recommended amount of space around the printer for proper ventilation:



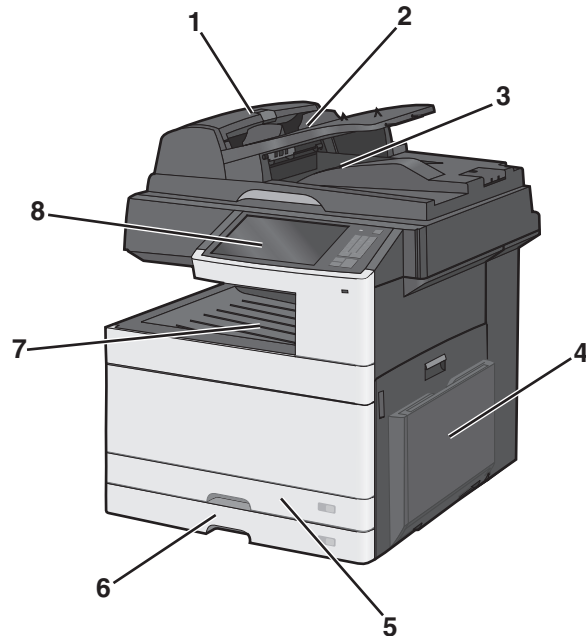
| | |
|---|--------------------|
| 1 | 348 mm (13.7 in.) |
| 2 | 609.6 mm (24 in.) |
| 3 | 100 mm (3.94 in.) |
| 4 | 100 mm (3.94 in.) |
| 5 | 285 mm (11.22 in.) |

Printer configurations

Basic model

Notes:

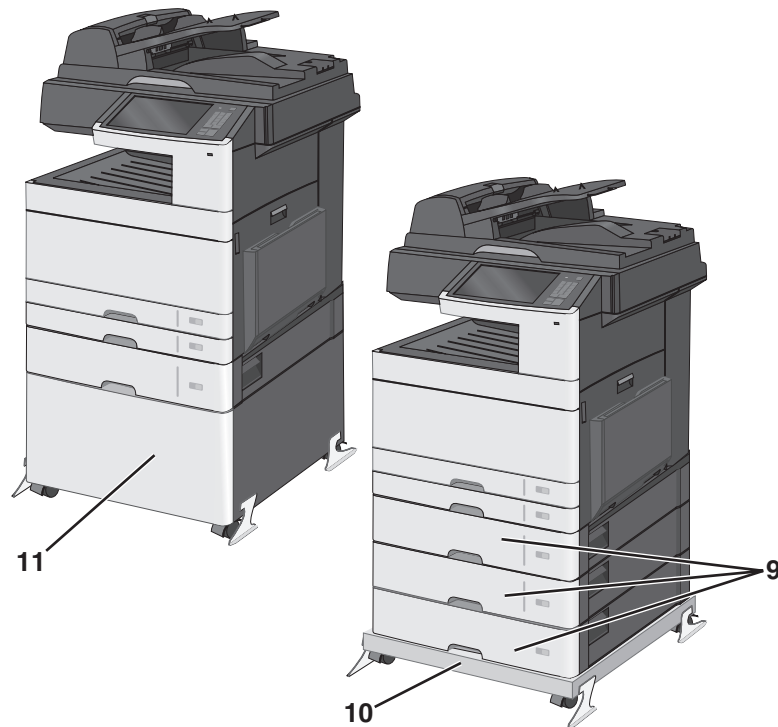
- The printer stand is a cabinet that can be converted into a caster base.
- If used with a printer stand, then the printer supports only one optional 550-sheet tray.
- If used with a caster base, then the printer supports a maximum of three optional 550-sheet trays.



| | |
|---|----------------------------------|
| 1 | Automatic Document Feeder (ADF) |
| 2 | ADF input tray |
| 3 | ADF exit bin |
| 4 | Multipurpose feeder |
| 5 | Standard 150-sheet tray (Tray 1) |
| 6 | Standard 250-sheet tray (Tray 2) |
| 7 | Standard exit bin |
| 8 | Printer control panel |

Configured model

CAUTION—TIPPING HAZARD: Floor-mounted configurations require additional furniture for stability. You must use either a printer stand or printer base if you are using a high-capacity input tray, a duplex unit and an input option, or more than one input option. If you purchased a multifunction printer (MFP) that scans, copies, and faxes, you may need additional furniture. For more information, see www.lexmark.com/multifunctionprinters.



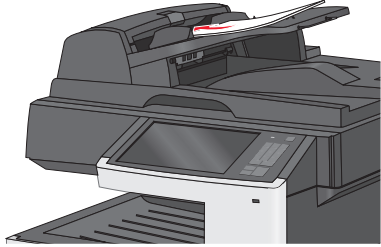
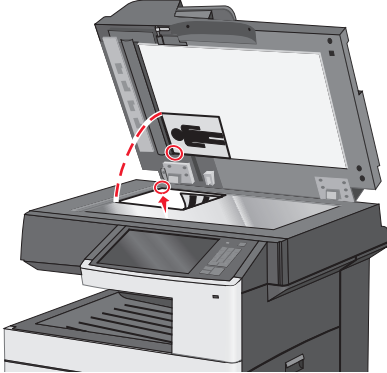
| | |
|----|--|
| 9 | Optional 550-sheet trays |
| 10 | Caster base (converted from a printer stand) |
| 11 | Printer stand |

Basic functions of the scanner

The scanner provides copy, fax, and scan-to-network capability for large workgroups. You can:

- Make quick copies, or change the settings on the printer control panel to perform specific copy jobs.
- Send a fax using the printer control panel.
- Send a fax to multiple fax destinations at the same time.
- Scan documents and send them to your computer, an e-mail address, a flash drive, or an FTP destination.
- Scan documents and send them to another printer (PDF by way of FTP).

Understanding the ADF and scanner glass

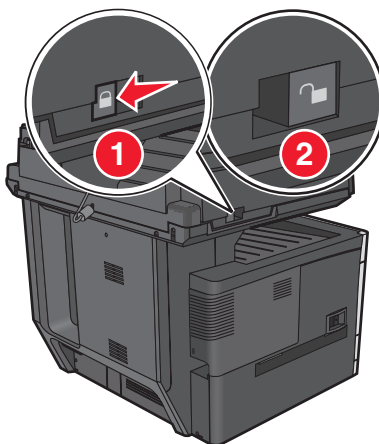
| Automatic Document Feeder (ADF) | Scanner glass |
|---|---|
|  <p>Use the ADF for multiple-page documents, including duplex pages.</p> |  <p>Use the scanner glass for single pages or book pages, small items (such as postcards or photos), transparencies, photo paper, or thin media (such as magazine clippings).</p> |

Using the ADF

- Load documents into the ADF faceup, as indicated by the ADF paper icon.
- Load up to 100 sheets of plain paper in the ADF input tray.
- Scan sizes from 76.2 x 139.7 mm (3.0 x 5.5 in.) to 296.9 x 431.8 mm (11.69 x 17 in.).
- Scan documents with mixed page sizes (Letter and Legal).
- Scan media weights from 64 to 120 g/m² (16 to 32 lb).
- Do not load postcards, photos, small items, transparencies, photo paper, or thin media (such as magazine clippings) into the ADF. Place these items on the scanner glass.

Using the scanner glass

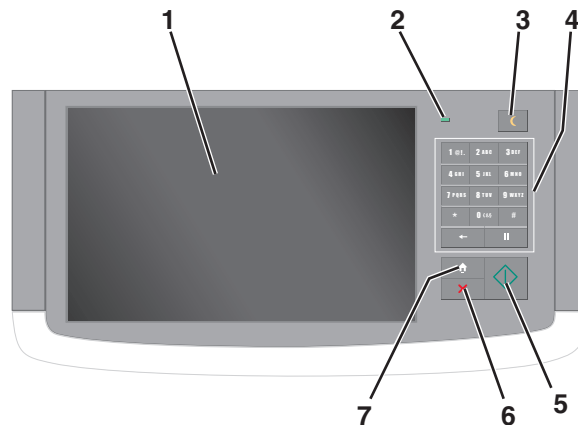
- Unlock the scanner glass by sliding the button to the left.



- Place documents facedown on the scanner glass in the upper left corner.

- Scan or copy documents up to 296.9 x 431.8 mm (11.69 x 17 in.).
- Copy books up to 25.4 mm (1 in.) thick.

Understanding the printer control panel



| Item | Description | |
|------|-----------------|---|
| 1 | Display | Shows the status of the printer, and allows printer setup and operation |
| 2 | Indicator light | <ul style="list-style-type: none"> • Off—The printer is off. • Blinking green—The printer is warming up, processing data, or printing. • Solid green—The printer is on, but idle. • Blinking red—The printer requires operator intervention is needed. |
| 3 | Sleep | <p>Enables Sleep Mode or Hibernate Mode</p> <p>The following are the statuses of the indicator light and the Sleep button:</p> <ul style="list-style-type: none"> • Entering or waking from Sleep Mode—The indicator light is illuminated solid green, Sleep button is unilluminated. • Operating in Sleep Mode—The indicator light is illuminated solid green, Sleep button is illuminated solid amber. • Entering or waking from Hibernate Mode—The indicator light is illuminated solid green, Sleep button is illuminated blinking amber. • Operating in Hibernate Mode—The indicator light is unilluminated, Sleep button is blinking amber for 1/10 of a second, then go completely unilluminated for 1.9 seconds in pulsing pattern. <p>The following actions wake the printer from Sleep Mode:</p> <ul style="list-style-type: none"> • Touching the screen or any hard button presses. • Opening an input tray, cover, or door. • Sending a print job from the computer. • Performing a Power On Reset (POR) with the main power switch. |
| 4 | Keypad | Lets you enter numbers, letter, or symbols |
| 5 | Submit | Lets you submit changes made in the printer settings |
| 6 | Stop/Cancel | <p>Stops all printer activity</p> <p>Note: A list of option is displayed once Stopped appears on the display.</p> |

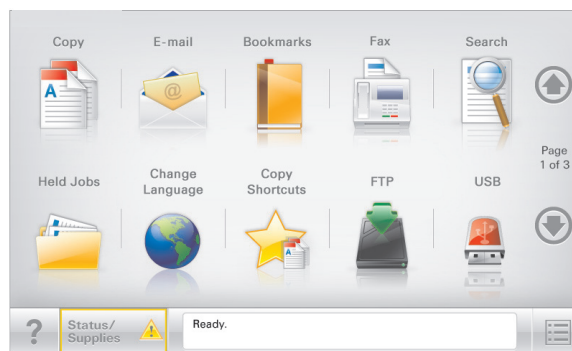
| Item | | Description |
|------|------|---|
| 7 | Home | Lets you navigate back to the home screen |


Understanding the home screen

Understanding the home screen

When the printer is turned on, the display shows a basic screen, referred to as the home screen. Touch the home screen buttons and icons to initiate an action such as copying, faxing, or scanning; to open the menu screen; or to respond to messages.

Note: Your home screen, icons, and buttons may vary depending on your home screen customization settings, administrative setup, and active embedded solutions.



| Touch | To |
|---|---|
| Copy | Access the Copy menus and make copies. |
| E-mail | Access the E-mail menus and send e-mails. |
| Fax | Access the Fax menus and send fax. |
|  | Access the printer menus. Note: These menus are available only when the printer is in the Ready state. |
| FTP | Access the File Transfer Protocol (FTP) menus and scan documents directly to an FTP server. |
| Status message bar | <ul style="list-style-type: none"> • Show the current printer status such as Ready or Busy. • Show printer conditions such as Toner Low or Cartridge Low. • Show intervention messages so the printer can continue processing. |
| Status/Supplies | <ul style="list-style-type: none"> • Display a warning or error message whenever the printer requires intervention to continue processing. • Access the messages screen for more information on the message, and how to clear it. |
| USB or USB Thumbdrive | View, select, print, scan, or e-mail photos and documents from a flash drive. Note: This button appears only when you return to the home screen while a memory card or flash drive is connected to the printer. |
| Bookmarks | Create, organize, and save a set of bookmarks (URL) into a tree view of folders and file links. Note: The tree view supports only bookmarks created from this function, and not from any other application. |
| Held Jobs | Display all current held jobs. |

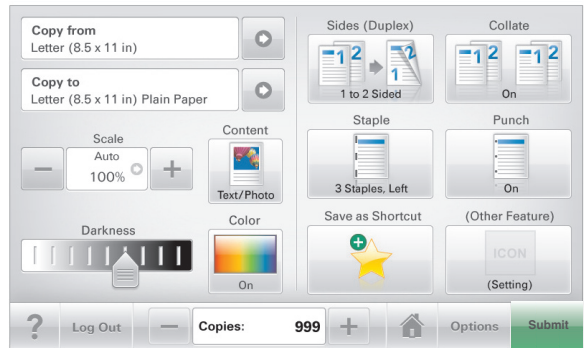
Other buttons that may appear on the home screen:







| Touch | To |
|------------------|--|
| Search held jobs | <p>Search on any of the following items:</p> <ul style="list-style-type: none"> • User name for held or confidential print jobs • Job names for held jobs, excluding confidential print jobs • Profile names • Bookmark container or print job names • USB container or print job names for supported file types |
| Release Held Fax | <p>Access the list of held faxes.</p> <p>Note: This button appears only when there are held faxes with a scheduled hold time previously set.</p> |
| Lock Device | <p>Open a password entry screen. Enter the correct password to lock the printer control panel.</p> <p>Note: This button appears only when the printer is unlocked and password has been set.</p> |
| Unlock Device | <p>Open a password entry screen. Enter the correct password to unlock the printer control panel.</p> <p>Note: This button appears only when the printer is locked. The printer control panel buttons and shortcuts cannot be used while this appears.</p> |
| Cancel Jobs | <p>Open the Cancel Jobs screen. The Cancel Jobs screen shows three headings: Print, Fax, and Network.</p> <p>The following options are available under the Print, Fax, and Network headings:</p> <ul style="list-style-type: none"> • Print job • Copy job • Fax profile • FTP • E-mail send <p>Each heading has a list of jobs shown in a column under it which can show only three jobs per screen. If more than three jobs exist in a column, then an arrow appears enabling you to scroll through the jobs.</p> |
| Change Language | <p>Launch the Change Language pop-up window that allows you to change the primary language of the printer.</p> |


Using the touch-screen buttons

Note: Your home screen, icons, and buttons may vary depending on your home screen customization settings and administrative setup.





Sample touch screen




| Touch | To |
|---|--|
| Submit | Submit changes made in the printer settings. |
| Sample Copy | Print a sample copy. |
| Right arrow  | Scroll to the right. |
| Left arrow  | Scroll to the left. |
| Home  | Return to the home screen. |
| Right increase  | Select a higher value. |
| Left decrease  | Select a lower value. |
| Exit  | Exit from the current screen. |


| Touch | To |
|---|---|
| Tips  | Open a context-sensitive Help dialog on the touch screen. |

Other touch-screen buttons

| Touch | To |
|---|--|
| Accept  | Save a setting. |
| Cancel  | <ul style="list-style-type: none"> • Cancel an action or a selection. • Exit a screen and lets you return to the previous screen without saving changes. |
| Reset  | Reset values on the screen. |
| Radio button  | Select or clear an item. |

Features

| Feature | Description |
|---|--|
| Menu trail line: Menus > Settings > Copy Settings > Number of Copies | A menu trail line is located at the top of each menu screen. This feature shows the path taken to arrive at the current menu. Touch any of the underlined words to return to that menu. Number of Copies is not underlined since this is the current screen. If you touch an underlined word on the Number of Copies screen before the Number of Copies is set and saved, then the selection is not saved, and it does not become the default setting. |
| Attendance message alert  | If an attendance message affects a function, then this icon appears and the red indicator light blinks. |

| Feature | Description |
|--|---|
| Warning  | If an error condition occurs, then this icon appears. |

Setting up and using the home screen applications

Notes:

- Your home screen, icons, and buttons may vary depending on your home screen customization settings, administrative setup, and active embedded applications. Some applications are supported only on select printer models.
- There may be additional solutions and applications available for purchase.

Finding the IP address of the printer

Note: Make sure your printer is connected to a network or to a print server.

You can find the printer IP address:

- From the top left corner of the printer home screen.
- From the TCP/IP section in the Network/Ports menu.
- By printing a network setup page or menu settings page, and then finding the TCP/IP section.

Note: An IP address appears as four sets of numbers separated by periods, such as 123.123.123.123.

Accessing the Embedded Web Server

The Embedded Web Server is the printer Web page that lets you view and remotely configure printer settings even when you are not physically near the printer.

1 Obtain the printer IP address:

- From the printer control panel home screen
- From the TCP/IP section in the Network/Ports menu
- By printing a network setup page or menu settings page, and then finding the TCP/IP section

Note: An IP address appears as four sets of numbers separated by periods, such as 123 . 123 . 123 . 123.

2 Open a Web browser, and then type the printer IP address in the address field.

3 Press **Enter**.

Note: If you are using a proxy server, then temporarily disable it to load the Web page correctly.

Showing or hiding icons on the home screen

1 From the Embedded Web Server, click **Settings > General Settings > Home screen customization**.

A list of basic printer functions appears.

2 Select the check boxes to specify which icons appear on the printer home screen.

Cleared check box items are hidden.

3 Click **Submit**.

Exporting and importing a configuration using the Embedded Web Server

You can export configuration settings into a text file that can then be imported and used to apply the settings to one or more additional printers.

Exporting a configuration

- 1 From the Embedded Web Server, click **Settings** or **Configuration**.
- 2 Click **Device Solutions > Solutions (eSF)**, or click **Embedded Solutions**.
- 3 From Installed Solutions, click the name of the application you want to configure.
- 4 Click **Configure > Export**.
- 5 Follow the instructions on the computer screen to save the configuration file, and then enter a unique file name or use the default name.

Note: If a **JVM Out of Memory** error occurs, then repeat the export until the configuration file is saved.

Importing a configuration

- 1 From the Embedded Web Server, click **Settings** or **Configuration**.
- 2 Click **Device Solutions > Solutions (eSF)**, or click **Embedded Solutions**.
- 3 From Installed Solutions, click the name of the application you want to configure.
- 4 Click **Configure > Import**.
- 5 Browse to the saved configuration file, and then load or preview it.


Note: If a timeout occurs and a blank screen appears, then refresh the browser, and then click **Apply**.

Activating the home screen applications

Your printer comes with preinstalled home screen applications. To use these applications, activate and set up these applications using the Embedded Web Server. For more information about accessing the Embedded Web Server, see “Accessing the Embedded Web Server” on page 30.

For detailed information about configuring and using the home screen applications, visit the Lexmark Web site at <http://support.lexmark.com>.

Setting up Forms and Favorites

| Icon | Description |
|---|---|
|  | <p>The application helps you simplify and streamline work processes by letting you quickly find and print frequently used online forms directly from the home screen.</p> <p>Note: The printer must have permission to access the network folder, FTP site, or Web site where the bookmark is stored. From the computer where the bookmark is stored, use sharing, security, and firewall settings to allow the printer at least a <i>read</i> access. For help, see the documentation that came with your operating system.</p> |


- 1 Open a Web browser, and then type the printer IP address in the address field.

Note: View the printer IP address on the printer control panel home screen. The IP address appears as four sets of numbers separated by periods, such as 123.123.123.123.

- 2 Click **Settings > Device Solutions > Solutions (eSF) > Forms and Favorites**.
- 3 Define the bookmarks, and then customize the settings.
- 4 Click **Apply**.

To use the application, touch **Forms and Favorites** on the printer home screen, and then navigate through form categories, or search for forms based on a form number, name, or description.

Setting up Scan to Network

| Icon | Description |
|---|--|
|  | <p>The application lets you capture a digital image of a hard-copy document and route it to a shared network folder. You can define up to 30 unique folder destinations.</p> <p>Notes:</p> <ul style="list-style-type: none"> • The printer must have permission to write to the destinations. From the computer where the destination is specified, use sharing, security, and firewall settings to allow the printer at least a <i>write</i> access. For help, see the documentation that came with your operating system. • The Scan to Network icon appears only when one or more destinations are defined. |

- 1 Open a Web browser, and then type the printer IP address in the address field.

Note: View the printer IP address on the printer control panel home screen. The IP address appears as four sets of numbers separated by periods, such as 123.123.123.123.


- 2 Click **Settings > Device Solutions > Solutions (eSF) > Scan to Network**.

3 Specify the destinations, and then customize the settings.

4 Click **Apply**.

To use the application, touch **Scan to Network** on the printer home screen, and then follow the instructions on the printer display.

Setting up My MFP


| Icon | Description |
|---|--|
|  | <p>The application lets you customize your touch-screen settings and store those preferences in a flash drive. Each time you want to copy, fax, or scan, insert the flash drive into the USB port of the printer. All your personal preferences are automatically uploaded, including job settings, home screen preferences, and address book.</p> <p>Note: The icon appears only when a flash drive with My MFP settings is inserted into the USB port of the printer.</p> |

To set up My MFP, insert a flash drive into the USB port of the printer, and then follow the instructions on the printer display to run the setup wizard.

To use My MFP, insert the flash drive into the USB port of the printer when you want to copy, fax, or scan.

Understanding WS-Scan

A WS-Scan icon and its description

| Icon | Description |
|---|---|
|  | <p>The Web Services-Scan application lets you scan documents at the network printer, and then send the scanned image to your computer. WS-Scan is a Microsoft application that is similar to Scan to Network, but has the capability of sending the scanned image to a Windows-based application. To learn more about WS-Scan, see the Microsoft documentation.</p> <p>Note: The icon appears on the printer home screen only when there is a computer registered with the network printer. The computer must have either Windows 8, Windows 7, or Windows Vista operating system installed.</p> |

Setting up Remote Operator Panel

This application shows the printer control panel on your computer screen and lets you interact with the printer control panel, even when you are not physically near the network printer. From your computer screen, you can view the printer status, release held print jobs, create bookmarks, and do other print-related tasks you might normally do while standing at the network printer.

1 Open a Web browser, and then type the printer IP address in the address field.

Note: View the printer IP address on the printer control panel home screen. The IP address appears as four sets of numbers separated by periods, such as 123.123.123.123.

2 Click **Settings > Device Solutions > Solutions (eSF) > Remote Operator Panel**.


3 Select the **Enabled** check box, and then customize the settings.

4 Click **Apply**.

To use the application, from the Embedded Web Server, click **Applications > Remote Operator Panel > Launch VNC Applet**.

Additional printer setup

Installing internal options

 **CAUTION—SHOCK HAZARD:** If you are accessing the system board or installing optional hardware or memory devices sometime after setting up the printer, then turn the printer off, and unplug the power cord from the wall outlet before continuing. If you have any other devices attached to the printer, then turn them off as well, and unplug any cables going into the printer.

You can customize your printer connectivity and memory capacity by adding optional cards.

Available internal options

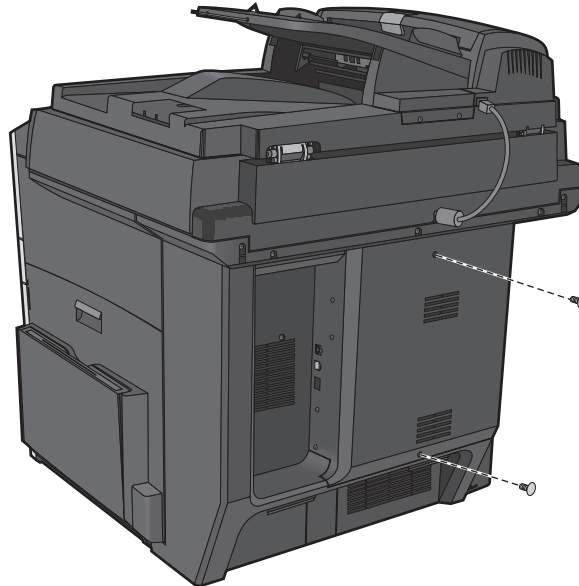
- Memory cards
 - Printer memory
 - Flash memory
 - Fonts
- Firmware cards
 - Bar Code
 - PrintCryption™
- Printer hard disk

Accessing the system board

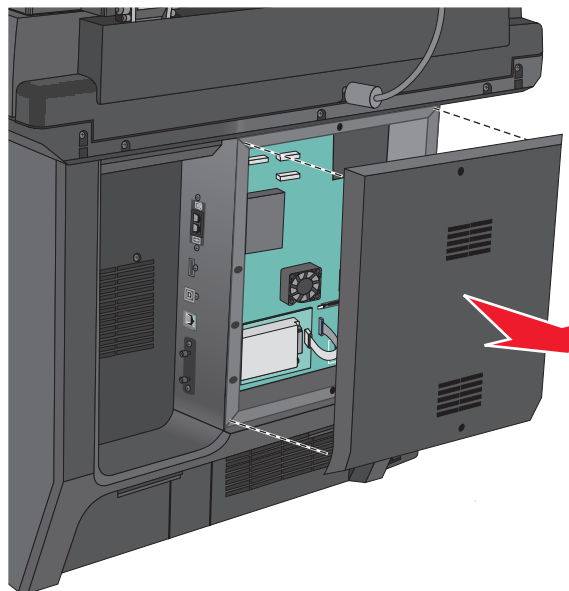
⚠ CAUTION—SHOCK HAZARD: If you are accessing the system board or installing optional hardware or memory devices sometime after setting up the printer, then turn the printer off, and unplug the power cord from the wall outlet before continuing. If you have any other devices attached to the printer, then turn them off as well, and unplug any cables going into the printer.

Note: This task requires a flathead screwdriver.

- 1 Turn the screws clockwise to loosen them.

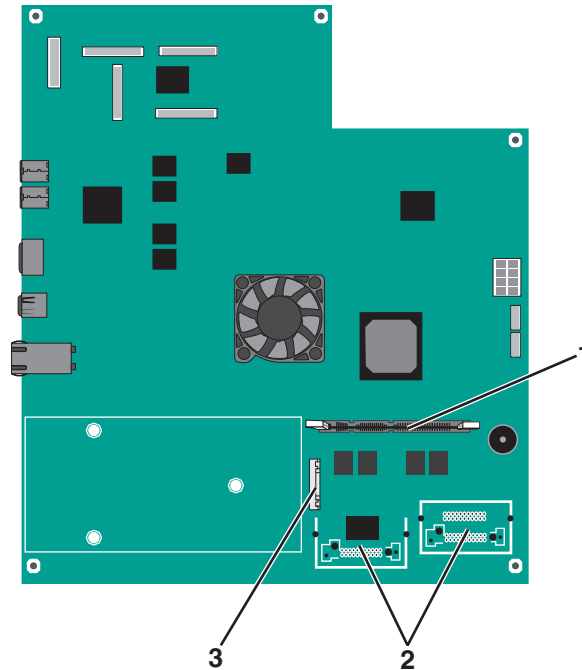


- 2 Pull the cover forward to remove it.



- 3 Use the following illustration to locate the appropriate connectors.

Warning—Potential Damage: System board electronic components are easily damaged by static electricity. Touch something metal on the printer before touching any system board electronic components or connectors.



| | |
|---|---|
| 1 | Memory card connector |
| 2 | Firmware and flash memory card connectors |
| 3 | ISP connector |

4 Reattach the cover.

Installing a memory card

CAUTION—SHOCK HAZARD: If you are accessing the system board or installing optional hardware or memory devices sometime after setting up the printer, then turn the printer off, and unplug the power cord from the wall outlet before continuing. If you have any other devices attached to the printer, then turn them off as well, and unplug any cables going into the printer.

Warning—Potential Damage: System board electronic components are easily damaged by static electricity. Touch something metal on the printer before touching any system board electronic components or connectors.

An optional memory card can be purchased separately and attached to the system board.

1 Access the system board.

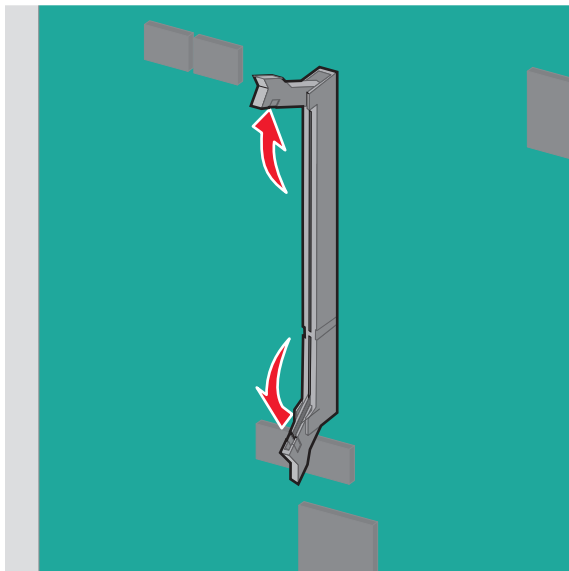
For more information, see “Accessing the system board” on page 36.

Note: This task requires a flathead screwdriver.

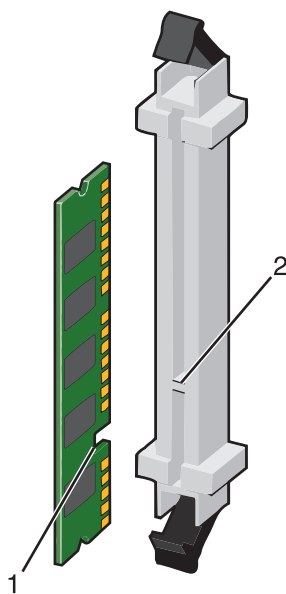
2 Unpack the memory card.

Note: Avoid touching the connection points along the edge of the card.

3 On the system board, open the memory card connector latches.

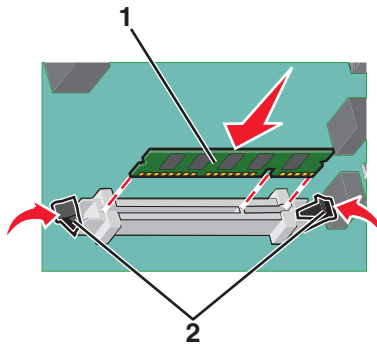


4 Align the notches on the memory card to the ridges on the connector.



| | |
|---|-------|
| 1 | Notch |
| 2 | Ridge |

- 5 Push the memory card straight into the connector until it *clicks* into place.



- 6 Reattach the system board cover.

Installing a flash memory or firmware card

The system board has two connections for an optional flash memory or firmware card. Only one of each may be installed, but the connectors are interchangeable.

CAUTION—SHOCK HAZARD: If you are accessing the system board or installing optional hardware or memory devices sometime after setting up the printer, then turn the printer off, and unplug the power cord from the wall outlet before continuing. If you have any other devices attached to the printer, then turn them off as well, and unplug any cables going into the printer.

Warning—Potential Damage: System board electronic components are easily damaged by static electricity. Touch something metal on the printer before touching any system board electronic components or connectors.

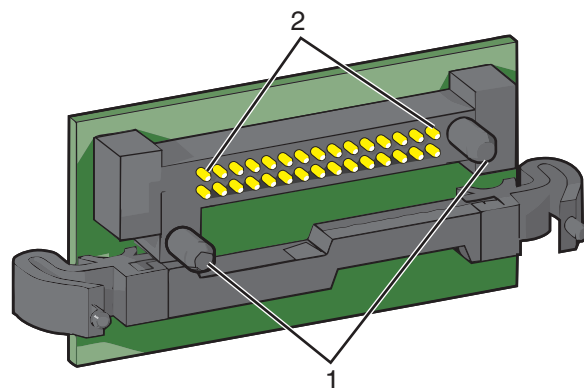
- 1 Access the system board.

Note: This task requires a flathead screwdriver.

- 2 Unpack the card.

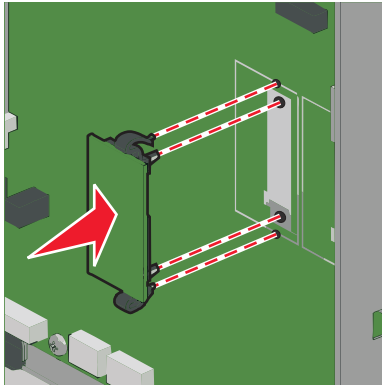
Note: Avoid touching the connection points along the edge of the card.

- 3 Holding the card by its sides, align the plastic pins on the card with the holes on the system board.



| | |
|---|--------------|
| 1 | Plastic pins |
| 2 | Metal pins |

- 4 Push the card firmly into place.

**Notes:**

- The entire length of the connector on the card must touch and be flush against the system board.
- Be careful not to damage the connectors.

- 5 Reattach the system board cover.

Installing an Internal Solutions Port

The system board supports one optional Lexmark™ Internal Solutions Port (ISP).

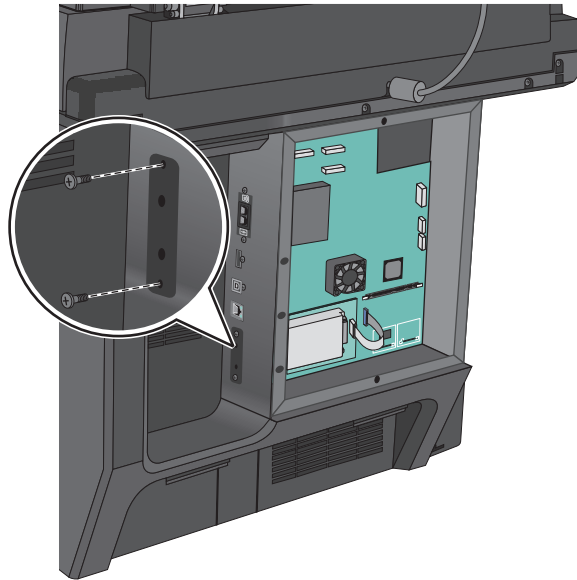
Note: This task requires a flathead screwdriver.

CAUTION—SHOCK HAZARD: If you are accessing the system board or installing optional hardware or memory devices sometime after setting up the printer, then turn the printer off, and unplug the power cord from the wall outlet before continuing. If you have any other devices attached to the printer, then turn them off as well, and unplug any cables going into the printer.

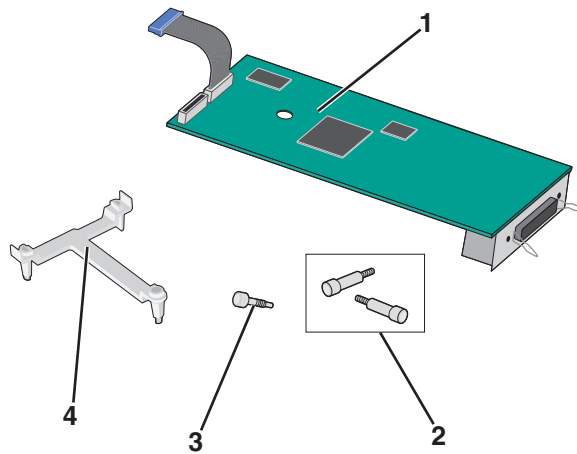
Warning—Potential Damage: System board electronic components are easily damaged by static electricity. Touch something metal on the printer before touching any system board electronic components or connectors.

- 1 Access the system board.
For more information, see “Accessing the system board” on page 36.
- 2 Remove the printer hard disk.
For more information, see “Removing a printer hard disk” on page 45

3 Remove the two screws.

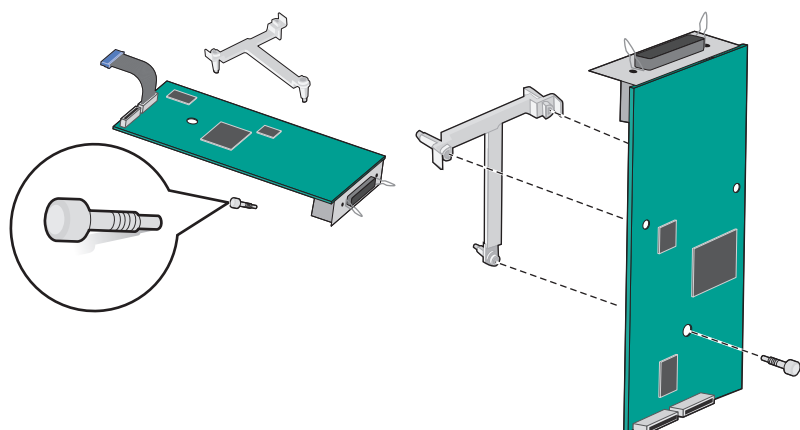


4 Unpack the ISP kit.

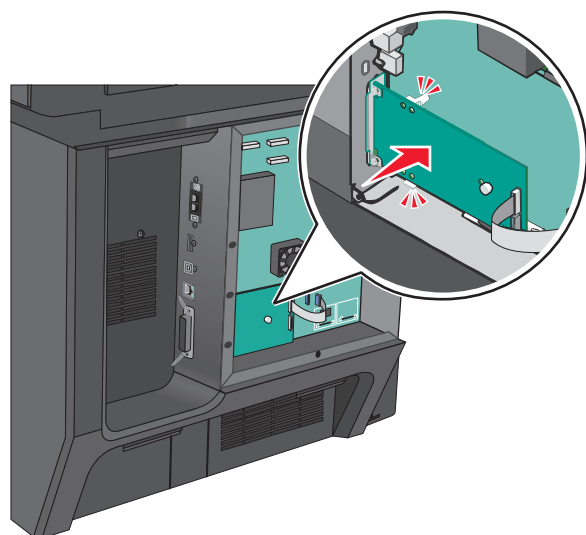


| | |
|----------|--------------------------------|
| 1 | ISP solution |
| 2 | Screws for the ISP solution |
| 3 | Screws for the plastic bracket |
| 4 | Plastic bracket |

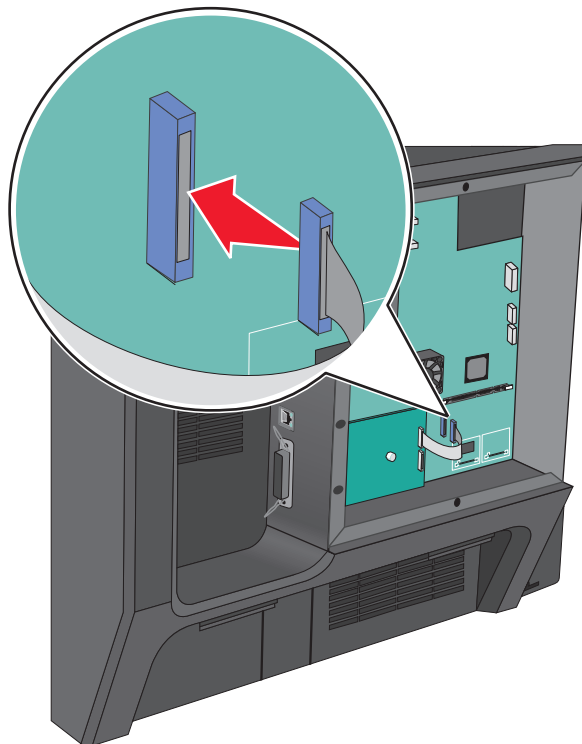
5 Use the provided screws to attach the plastic bracket to the ISP solution.



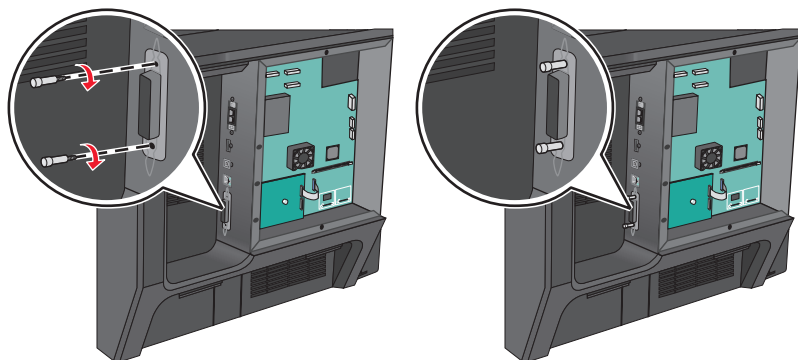
6 Use the provided screw to attach the ISP solution to the system board cage.



7 Connect the ISP solution interface cable into the receptacle of the system board.



8 Firmly connect the ISP solution to the system board cage using two screws.

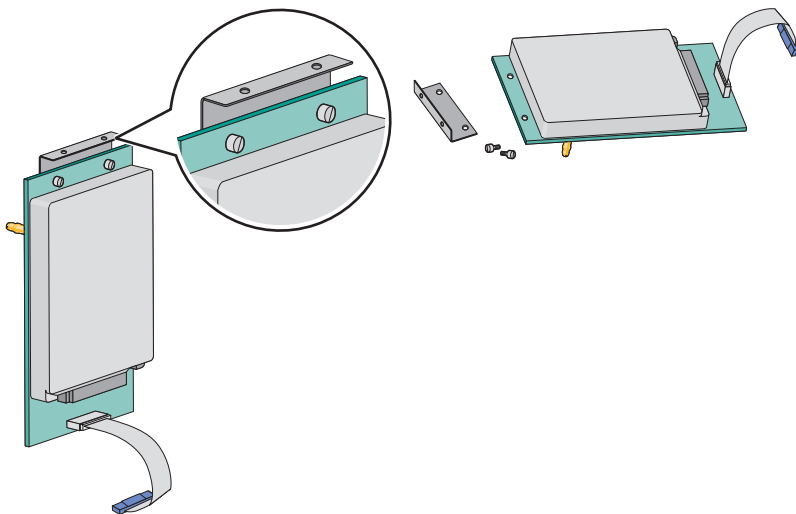


Installing a printer hard disk

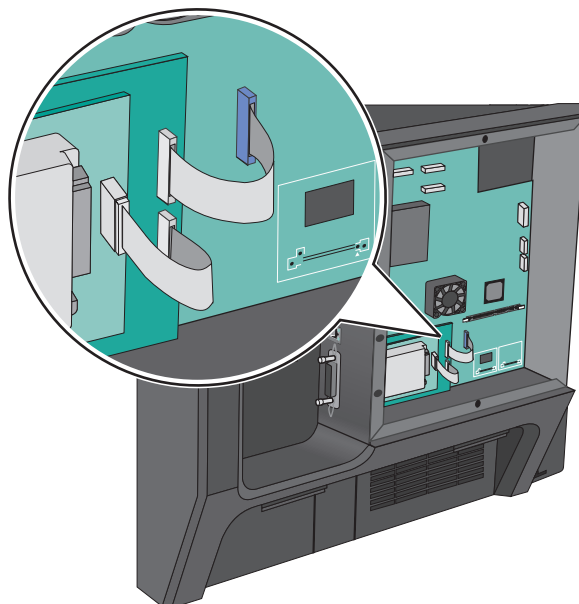
⚠ CAUTION—SHOCK HAZARD: If you are accessing the system board or installing optional hardware or memory devices sometime after setting up the printer, then turn the printer off, and unplug the power cord from the wall outlet before continuing. If you have any other devices attached to the printer, then turn them off as well, and unplug any cables going into the printer.

Warning—Potential Damage: System board electronic components are easily damaged by static electricity. Touch something metal on the printer before touching any system board electronic components or connectors.

- 1 Access the system board.
for more information, see “Accessing the system board” on page 36
- 2 Remove the metal bracket from the printer hard disk using a flathead screwdriver.



- 3 Connect the printer hard disk interface cable into the receptacle of the ISP board.



- 4 Reattach the system board cover.

Removing a printer hard disk

The printer hard disk is preinstalled in this device.

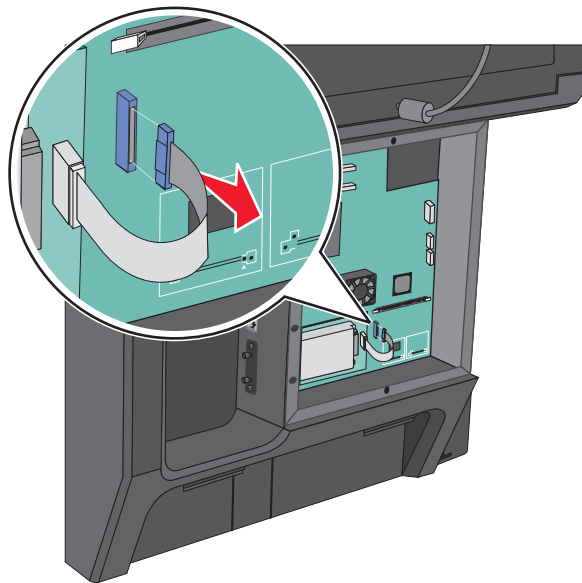
Note: This task requires a flathead screwdriver.

Warning—Potential Damage: System board electronic components are easily damaged by static electricity. Touch something metal on the printer before touching any system board electronic components or connectors.

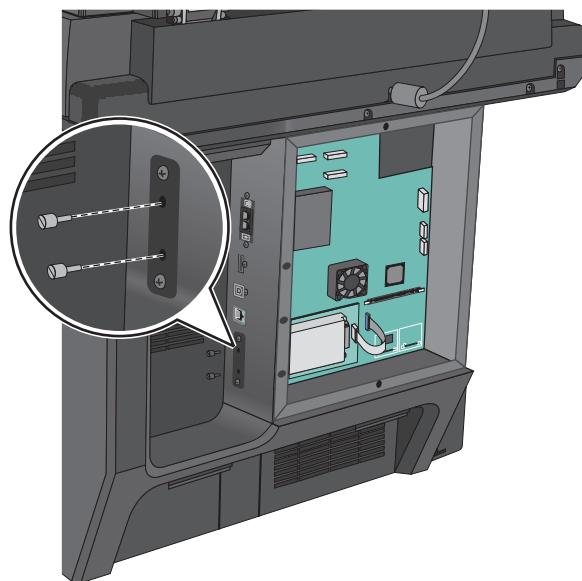
1 Access the system board.

For more information, see “Accessing the system board” on page 36.

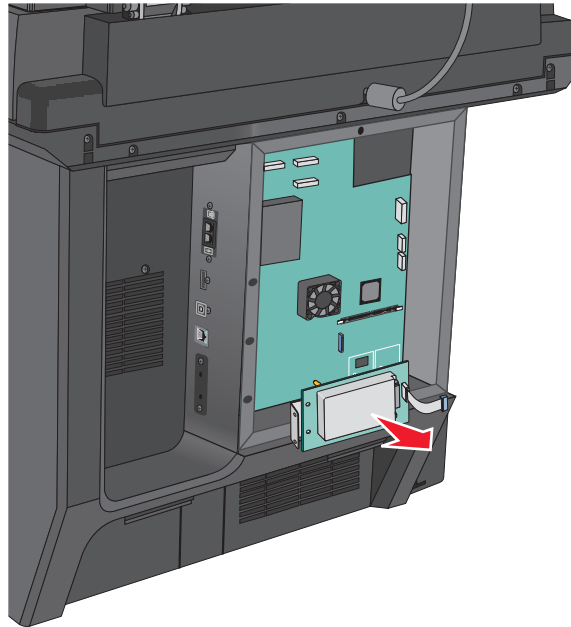
2 Unplug the printer hard disk interface cable from the system board, leaving the cable attached to the printer hard disk. To unplug the cable, squeeze the paddle at the plug of the interface cable to disengage the latch before pulling the cable out.



3 Remove the screws while holding the printer hard disk in place.



- 4 Remove the printer hard disk.



- 5 Reattach the system board cover.

Installing optional trays

Order of installation



CAUTION—TIPPING HAZARD: Floor-mounted configurations require additional furniture for stability. You must use either a printer stand or printer base if you are using a high-capacity input tray, a duplex unit and an input option, or more than one input option. If you purchased a multifunction printer (MFP) that scans, copies, and faxes, you may need additional furniture. For more information, see www.lexmark.com/multifunctionprinters.

Install the printer and any options you have purchased in the following order:

- Printer stand
- Optional 550-sheet trays
- Printer

For more information on converting a printer stand to caster base, and installing a printer stand, caster base or optional 550-sheet tray, see the documentation that came with the printer option.

Installing a printer stand and optional tray

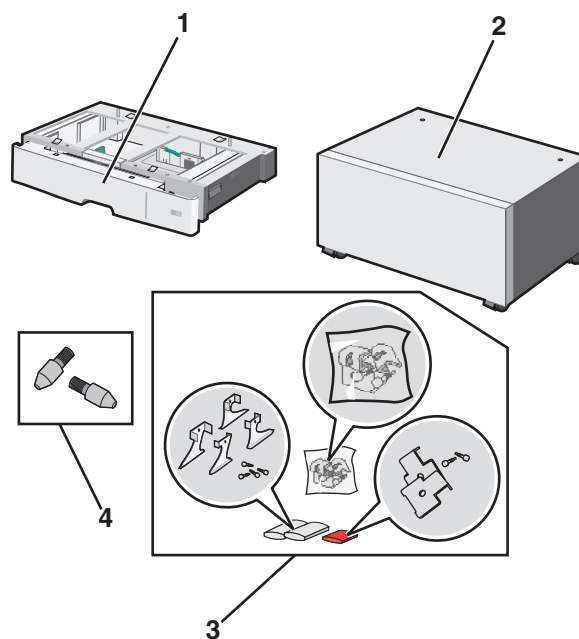
Note: If used with a printer stand, then the printer supports only one optional 550-sheet tray.

CAUTION—POTENTIAL INJURY: The printer weight is greater than 18 kg (40 lb) and requires two or more trained personnel to lift it safely.

CAUTION—SHOCK HAZARD: If you are accessing the system board or installing optional hardware or memory devices sometime after setting up the printer, then turn the printer off, and unplug the power cord from the wall outlet before continuing. If you have any other devices attached to the printer, then turn them off as well, and unplug any cables going into the printer.

Note: This task requires a screwdriver.

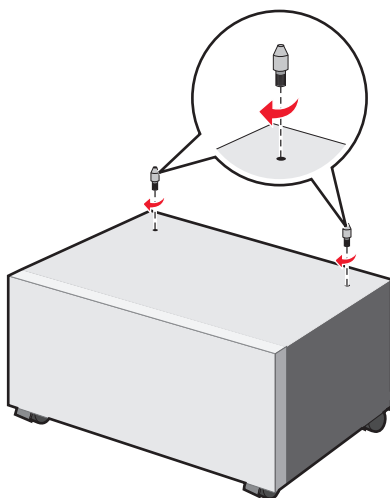
- 1 Unpack the optional tray and printer stand, and then remove all packing material.



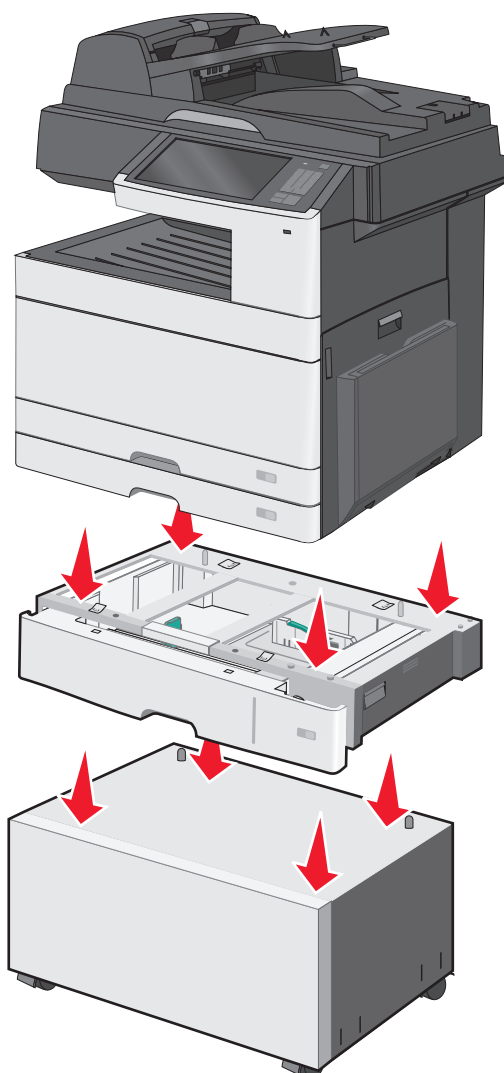
| | |
|---|-------------------------|
| 1 | Optional 550-sheet tray |
| 2 | Printer stand |
| 3 | Brackets and screws |
| 4 | Thumbscrews |

- 2 Turn the printer off, and unplug the power cord from the wall outlet before continuing. If you have any other devices attached to the printer, then turn them off as well, and unplug any cables going into the printer.

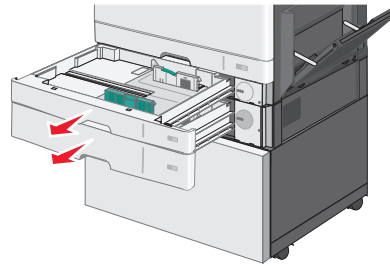
3 Attach the thumbscrews on top of the printer stand.



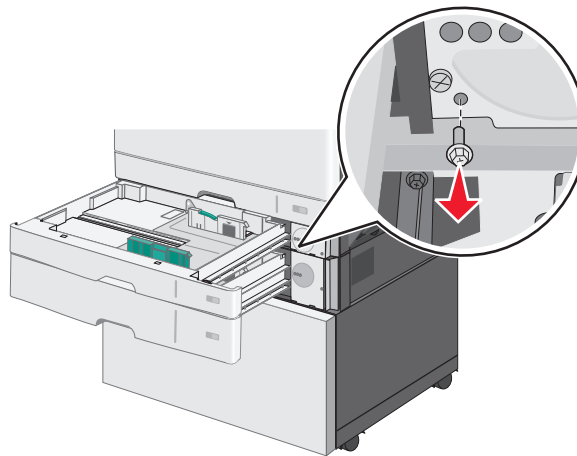
4 Align the optional tray to the printer stand, then lower the printer to the tray.



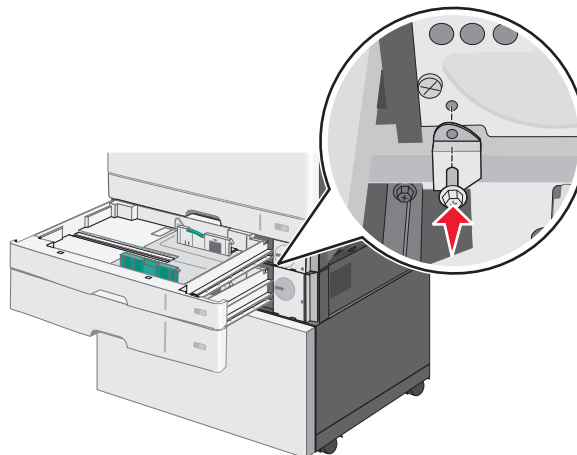
- 5** Lock the standard and optional trays together using the brackets that came with the optional tray.
- a** Open the standard 250- and optional 550-sheet tray.



- b** Remove the screw from the 250-sheet tray.



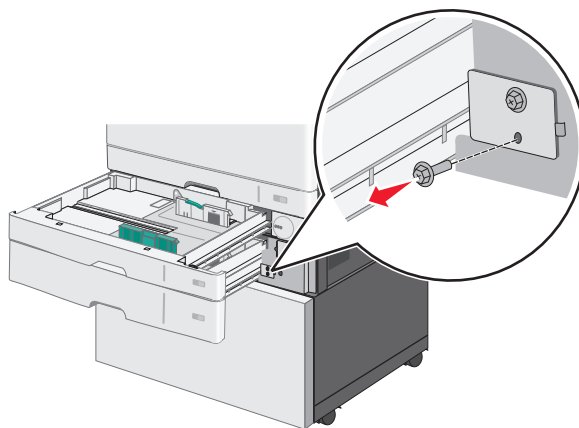
- c** Place a bracket over the screw hole and secure it with the screw.



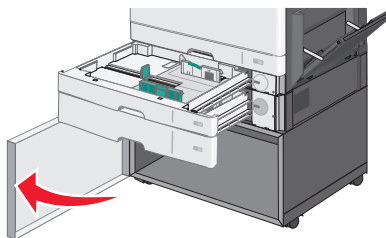
- d** Close the trays.

6 Lock the optional 550-sheet tray to the printer stand.

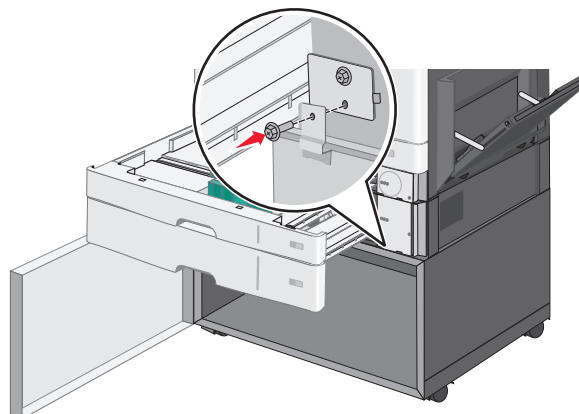
- a**
- Open the optional 550-sheet tray and remove the screw.



- b**
- Open the printer stand.

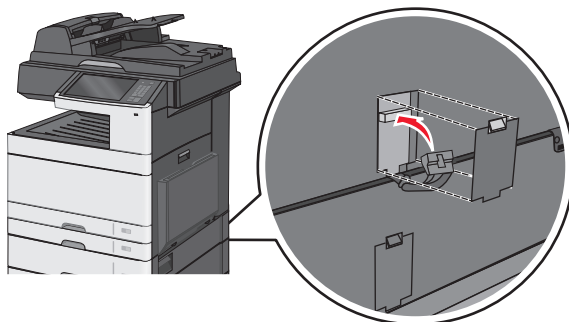


- c**
- Place a bracket over the screw hole and secure it with the screw.

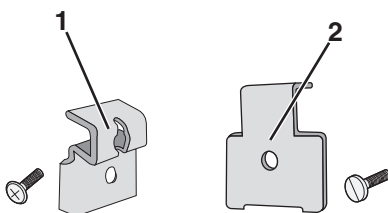


- d**
- Close the optional tray and printer stand.

7 Plug in the electrical connections between trays.

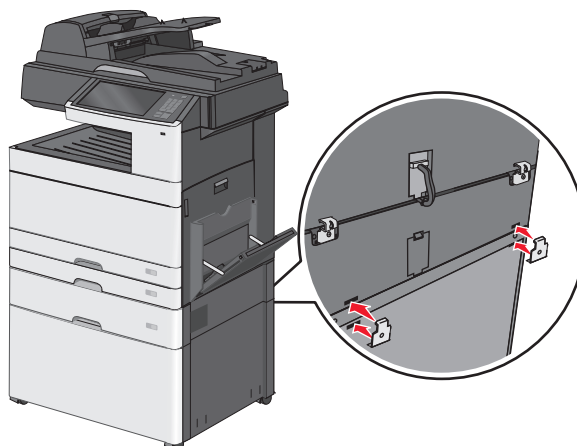


8 Attach brackets to the back of the printer, optional tray, and printer stand.

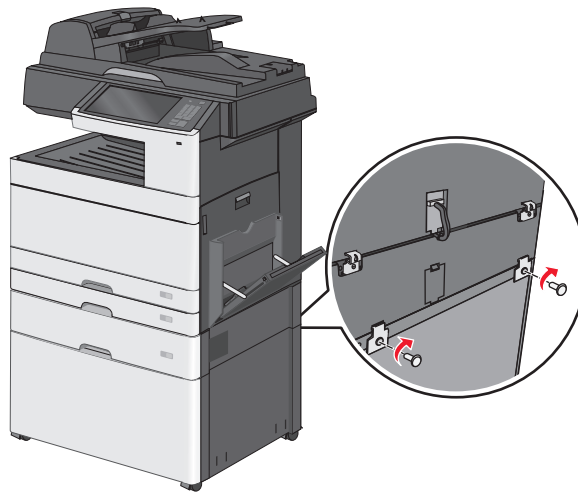


| | |
|----------|--|
| 1 | Bracket to lock optional tray to printer |
| 2 | Bracket to lock optional tray to printer stand |

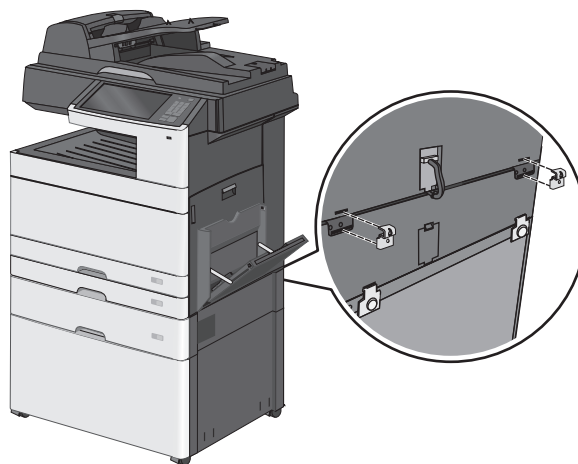
a Insert brackets on the slots located at the back of the optional tray and printer stand.



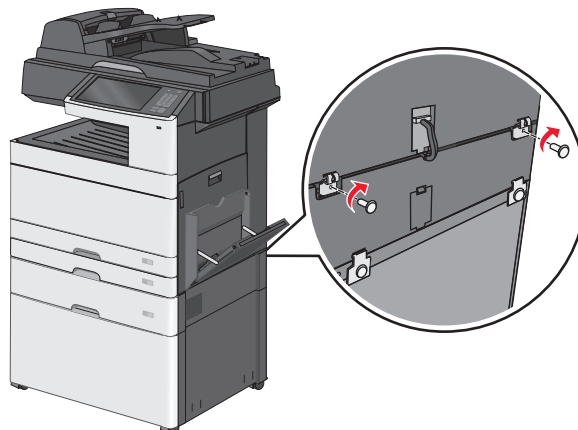
- b** Secure the brackets with screws.



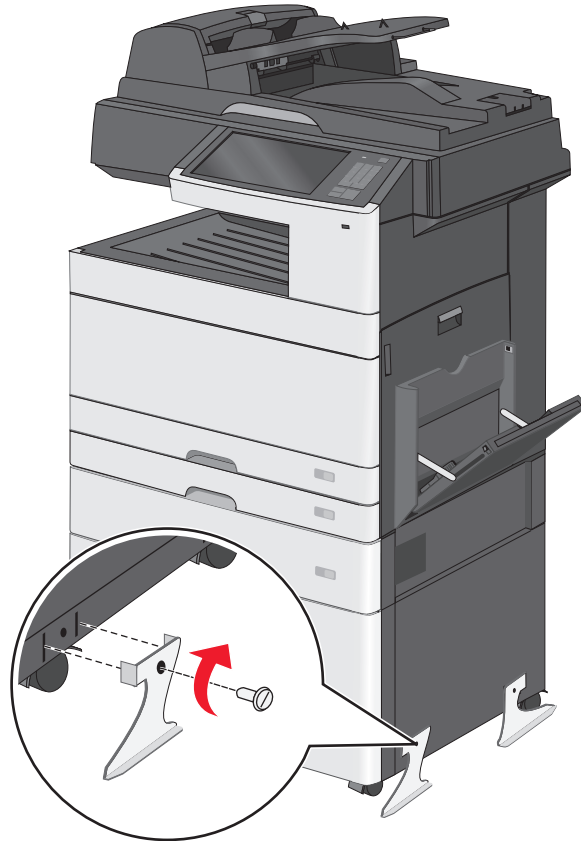
- c** Insert brackets on the slots located at the back of the printer and optional tray.



- d** Secure the brackets with screws.



- 9 Insert the bases on the slots at the sides of the printer stand and secure them with screws.



- 10 Turn the printer back on.

- 11 Set the printer software to recognize the optional input source.

For more information, see “Updating available options in the printer driver” on page 62.

Installing 550-sheet trays

Notes:

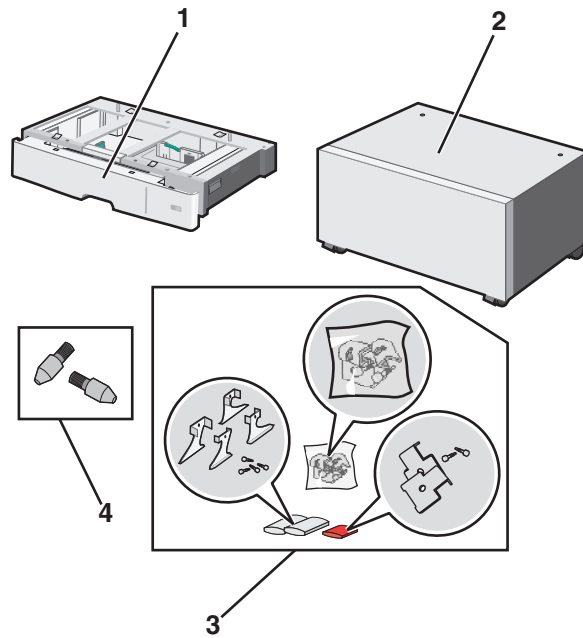
- The printer supports a maximum of three optional 550-sheet trays.
- When installing three optional 550-sheet trays, use a printer stand converted into a caster base.

CAUTION—POTENTIAL INJURY: The printer weight is greater than 18 kg (40 lb) and requires two or more trained personnel to lift it safely.

CAUTION—SHOCK HAZARD: If you are accessing the system board or installing optional hardware or memory devices sometime after setting up the printer, then turn the printer off, and unplug the power cord from the wall outlet before continuing. If you have any other devices attached to the printer, then turn them off as well, and unplug any cables going into the printer.

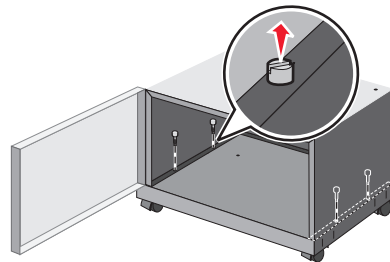
Note: This task requires a screwdriver.

- 1 Unpack the optional tray and the printer stand, and then remove all packing material.

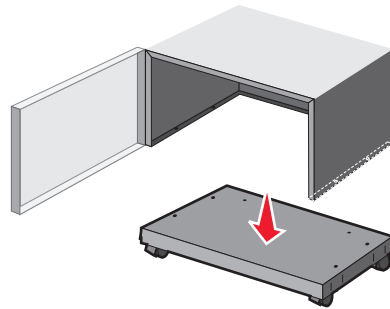


| | |
|---|-------------------------|
| 1 | Optional 550-sheet tray |
| 2 | Printer stand |
| 3 | Brackets and screws |
| 4 | Thumbscrews |

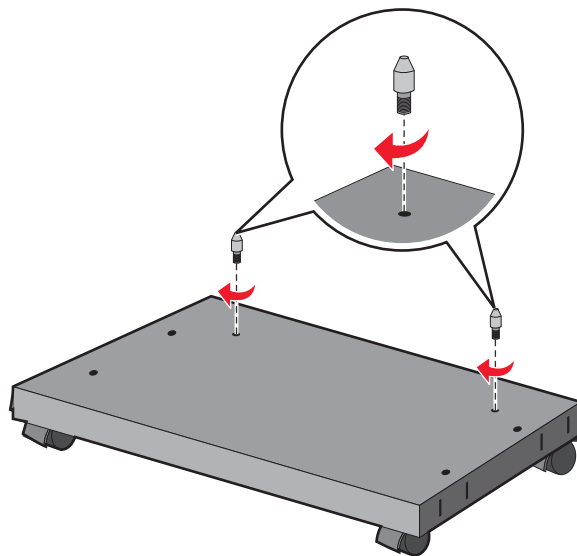
- 2 Turn the printer off, and unplug the power cord from the wall outlet before continuing. If you have any other devices attached to the printer, then turn them off as well, and unplug any cables going into the printer.
- 3 Convert the printer stand into a caster base.
 - a Remove the four screws inside the printer stand.



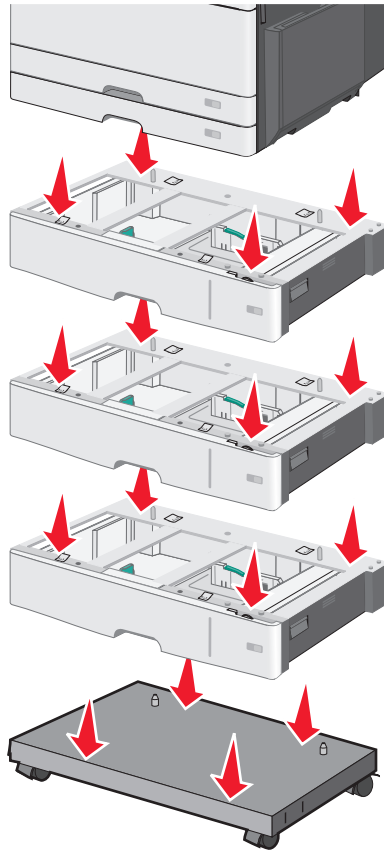
- b** Lift the upper portion of the printer stand, leaving the base.



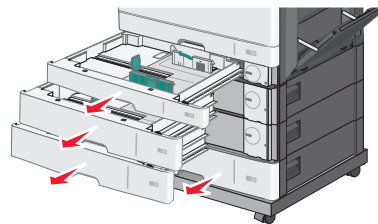
- 4** Attach the thumbscrews on the caster base.



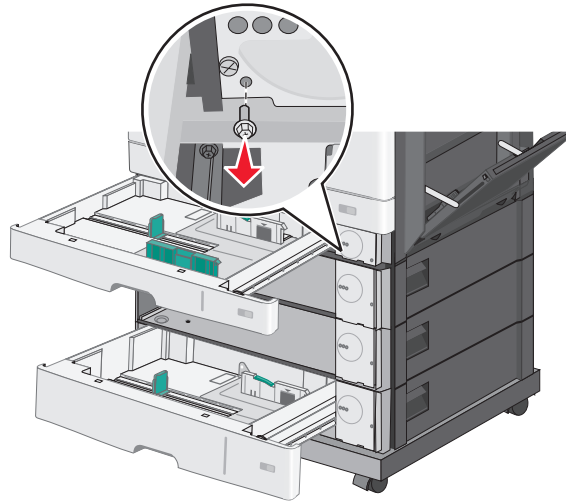
- 5 Align the trays to the caster base, then lower the printer to the trays.



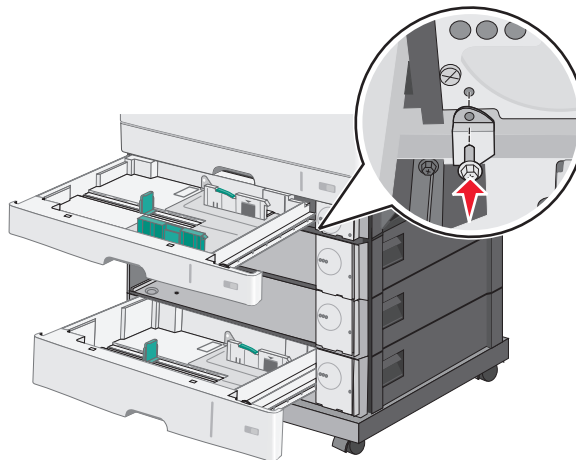
- 6 Lock the standard and optional trays together using the brackets that came with the optional tray.
- a Open the standard 250- and optional 550-sheet tray.



- b** Remove the screw from the 250-sheet tray.



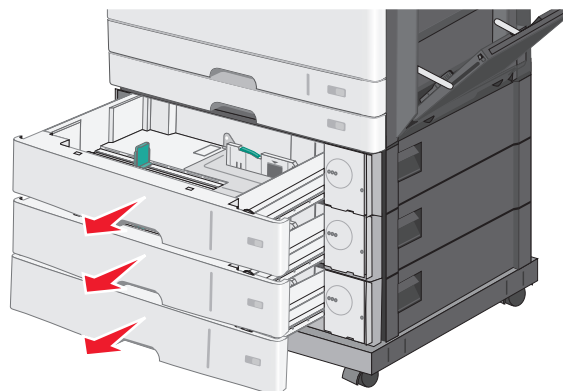
- c** Place a bracket over the screw hole and secure it with the screw.



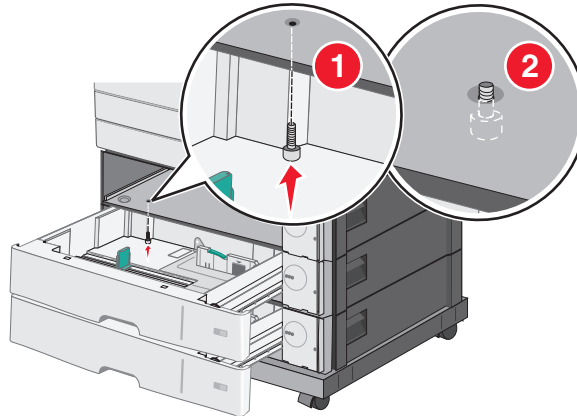
- d** Close the trays.

- 7** Lock the optional 550-sheet trays together using the screws that came with the trays.

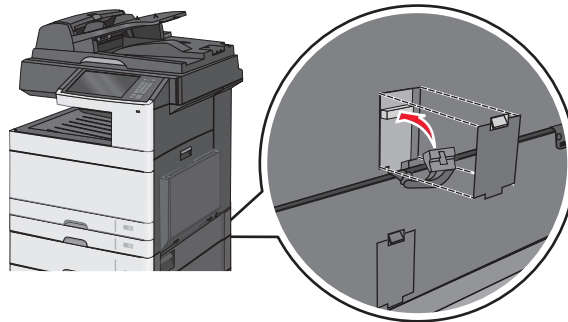
- a** Remove the upper optional 550-sheet tray drawer. Leave the lower optional trays open.



- b** Reach into the lower optional tray and insert a screw, pushing it upward to the optional tray above it.

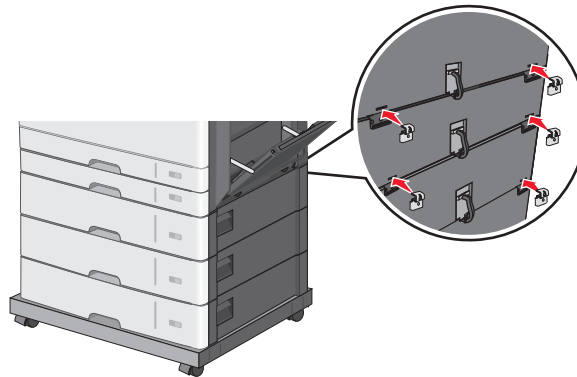


- 8** Plug in the electrical connections between trays.

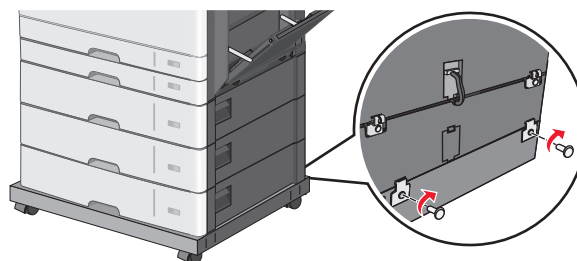


- 9** Attach brackets to the back of the printer and optional trays.

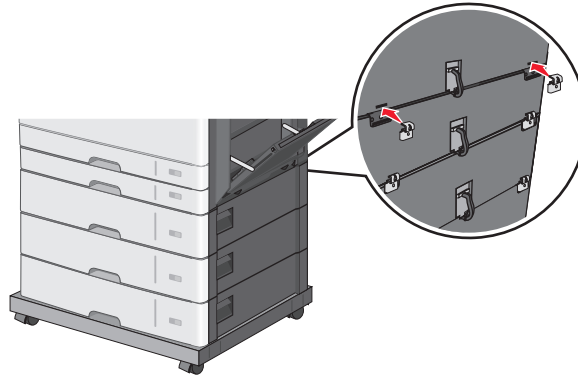
- a** Insert brackets on the slots located at the back of the optional trays.



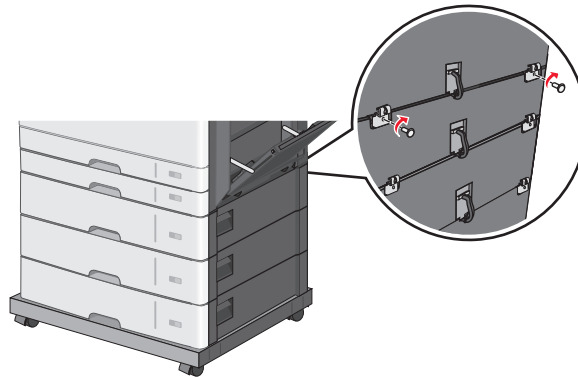
- b** Secure the brackets with screws.



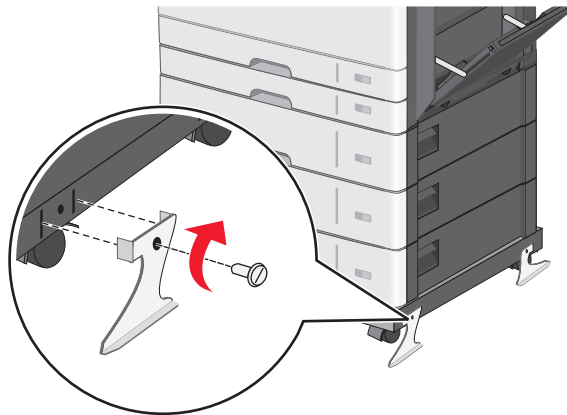
- c** Insert brackets on the slots located at the back of the printer and optional tray.



- d** Secure the brackets with screws.



- 10** Insert the bases on the slots at the sides of the caster base and secure them with screws.



- 11** Turn the printer back on.

- 12** Set the printer software to recognize the optional input source.

For more information, see “Updating available options in the printer driver” on page 62.

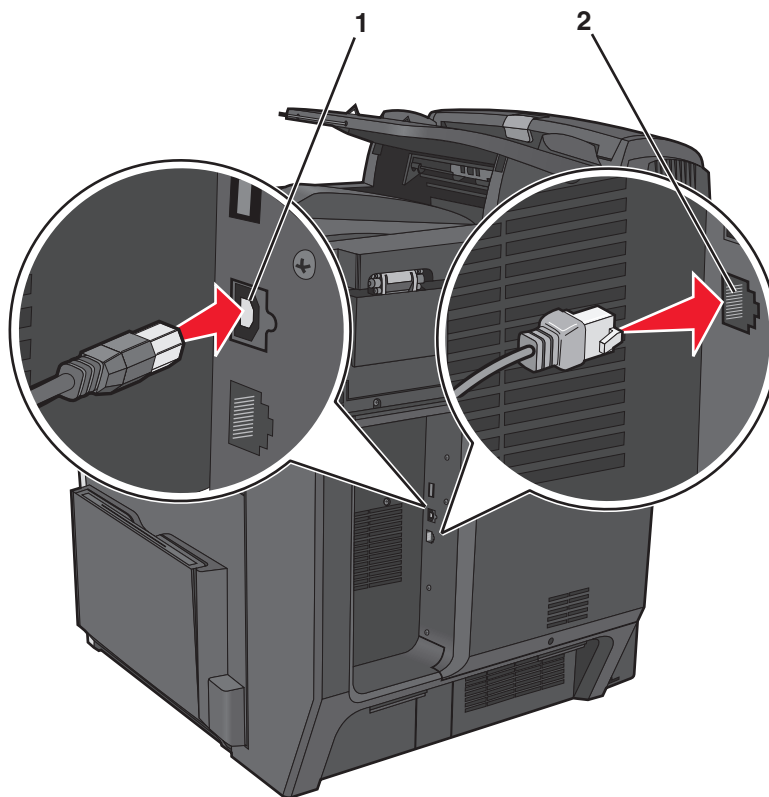
Attaching cables

⚠ CAUTION—POTENTIAL INJURY: Do not use the fax feature during a lightning storm. Do not set up this product or make any electrical or cabling connections, such as the fax feature, power cord, or telephone, during a lightning storm.

Connect the printer to the computer using a USB cable or Ethernet cable.

Be sure to match the following:

- The USB symbol on the cable with the USB symbol on the printer
- The appropriate Ethernet cable to the Ethernet port



1 USB port

Warning—Potential Damage: Do not touch the USB cable, any network adapter, or the printer in the area shown while actively printing. A loss of data or a malfunction can occur.

2 Ethernet port

Verifying printer setup

Once all hardware and software options are installed and the printer is turned on, verify that the printer is set up correctly by printing the following:

- **Menu settings page**—Use this page to verify that all printer options are installed correctly. A list of installed options appears toward the bottom of the page. If an option you installed is not listed, then it is not installed correctly. Remove the option and install it again.
- **Network setup page**—If your printer is a network model and is attached to a network, print a network setup page to verify the network connection. This page also provides important information that aids network printing configuration.

Printing a menu settings page

From the home screen, navigate to:



> Reports > Menu Settings Page

Printing a network setup page

If the printer is attached to a network, then print a network setup page to verify the network connection. This page also provides important information that aids network printing configuration.

- 1 From the home screen, navigate to:



> Reports > Network Setup Page

- 2 Check the first section of the network setup page, and confirm that the status is **Connected**.
If the status is **Not Connected**, then the LAN drop may not be active, or the network cable may be malfunctioning. Consult a system support person for a solution, and then print another network setup page.

Setting up the printer software

Installing the printer software

Notes:

- If you installed the printer software on the computer before but need to reinstall the software, then uninstall the current software first.
 - Close all open software programs before installing the printer software.
- 1 Obtain a copy of the software installer package.
 - From the *Software and Documentation* CD that came with your printer.
 - From our Web site:
Go to <http://support.lexmark.com>, and then navigate to:
SUPPORT & DOWNLOAD > select your printer > select your operating system
 - 2 Double-click the software installer package.
Wait for the installation dialog to appear.


If you are using a *Software and Documentation* CD and the installation dialog does not appear, then do the following:

In Windows 8

From the Search charm, type **run**, and then navigate to:

Apps list > **Run** > type **D:\setup.exe** > **OK**.

In Windows 7 or earlier

- a Click  or click **Start**, and then click **Run**.
- b In the Start Search or Run dialog, type **D:\setup.exe**.
- c Press **Enter**, or click **OK**.

In Macintosh

Click the CD icon on the desktop.

Note: D is the letter of your CD or DVD drive.

- 3 Click **Install**, and then follow the instructions on the computer screen.

Updating available options in the printer driver

When any hardware options are installed, you may need to manually add the options in the printer driver to make them available for use.

For Windows users


- 1 Open the printers folder.

In Windows 8

From the Search charm, type **run**, and then navigate to:

Apps list > **Run** > type **control printers** > **OK**

In Windows 7 or earlier

- a Click  or click **Start**, and then click **Run**.
 - b In the Start Search or Run dialog, type **control printers**.
 - c Press **Enter**, or click **OK**.
- 2 Depending on your device, do either of the following:
 - Press and hold the printer you want to update.
 - Right-click the printer you want to update.
 - 3 From the menu that appears, do either of the following:
 - For Windows 7 or later, select **Printer properties**.
 - For earlier versions, select **Properties**.
 - 4 Click the **Configuration** tab.

- 5 Do either of the following:
 - Click **Update Now - Ask Printer**.
 - Under Configuration Options, manually add any installed hardware options.
- 6 Click **Apply**.

For Macintosh users

- 1 From the Apple menu, navigate to either of the following:
 - **System Preferences > Print & Scan > select your printer > Options & Supplies > Driver**
 - **System Preferences > Print & Fax > select your printer > Options & Supplies > Driver**
- 2 Add any installed hardware options, and then click **OK**.

Setting up wireless printing

Note: A Service Set Identifier (SSID) is a name assigned to a wireless network. Wireless Encryption Protocol (WEP) and Wi-Fi Protected Access (WPA) are types of security used on a network.

Preparing to set up the printer on a wireless network

Notes:

- Make sure your access point (wireless router) is turned on and is working properly.
- Do not connect the installation or network cables until prompted to do so by the setup software.

Make sure you have the following information before setting up the printer on a wireless network:

- **SSID**—The SSID is also referred to as the network name.
- **Wireless Mode (or Network Mode)**—The mode is either infrastructure or ad hoc.
- **Channel (for ad hoc networks)**—The channel defaults to automatic for infrastructure networks.

Some ad hoc networks will also require the automatic setting. Check with your system support person if you are not sure which channel to select.

- **Security Method**—There are four basic options for Security Method:
 - WEP key
If your network uses more than one WEP key, then enter up to four in the provided spaces. Select the key currently in use on the network by selecting the default WEP transmit key.
 - WPA or WPA2 preshared key or passphrase
WPA includes encryption as an additional layer of security. The choices are AES or TKIP. Encryption must be set for the same type on the router and on the printer, or the printer will not be able to communicate on the network.
 - 802.1X–RADIUS
If you are installing the printer on an 802.1X network, then you may need the following:
 - Authentication type
 - Inner authentication type

- 802.1X user name and password
 - Certificates
- No security
- If your wireless network does not use any type of security, then you will not have any security information.

Note: Using an unsecured wireless network is not recommended.

Notes:

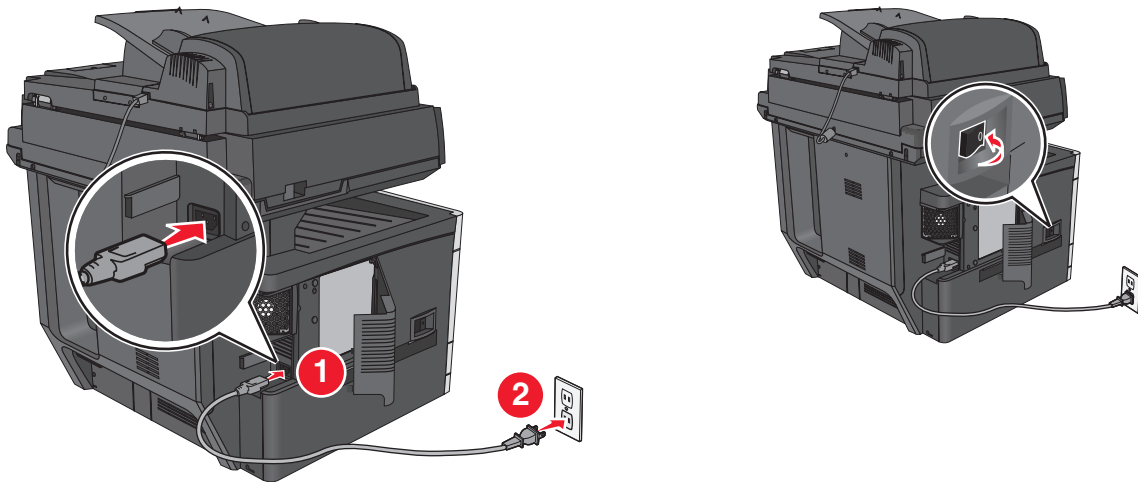
- If you do not know the SSID of the network that your computer is connected to, then launch the wireless utility of the computer network adapter, and then look for the network name. If you cannot find the SSID or the security information for your network, then see the documentation that came with the access point or contact your system support person.
- To find the WPA/WPA2 preshared key or passphrase for the wireless network, see the documentation that came with the access point, see the Embedded Web Server associated with the access point, or consult your system support person.

Installing the printer on a wireless network (Windows)

Before installing the printer on a wireless network, make sure:

- Your wireless network is set up and is working properly.
- The computer you are using is connected to the same wireless network where you want to set up the printer.

1 Connect the power cord to the printer, then to a properly grounded electrical outlet, and then turn on the printer.



Note: Make sure the printer and the computer are fully on and ready.

Warning—Potential Damage: Do not connect the USB cable until instructed to do so on the computer screen.



2 Obtain a copy of the software installer package.

- From the *Software and Documentation* CD that came with your printer.
- From our Web site:
Go to <http://support.lexmark.com>, and then navigate to:
SUPPORT & DOWNLOAD > select your printer > select your operating system

3 Double-click the software installer package.

Wait for the installation dialog to appear.


If you are using the *Software and Documentation* CD and the installation dialog does not appear, then do the following:

In Windows 8

From the Search charm, type **run**, and then navigate to:

Apps list > **Run** > type **D:\setup.exe** > **OK**

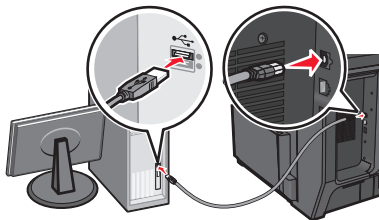
In Windows 7 or earlier

- Click  or click **Start**, and then click **Run**.
- In the Start Search or Run dialog, type **D:\setup.exe**.
- Press **Enter** or click **OK**.

Note: D is the letter of your CD or DVD drive.

4 Click **Install**, and then follow the instructions on the computer screen.**5** Select **Wireless connection** when asked to choose a connection type.**6** From the Wireless Configuration dialog, select **Guided Setup (Recommended)**.

Note: Choose **Advanced Setup** only if you want to customize your installation.

7 Temporarily connect a USB cable between the computer on the wireless network and the printer.

Note: After the printer is configured, the software will instruct you to disconnect the temporary USB cable so you can print wirelessly.

8 Follow the instructions on the computer screen.

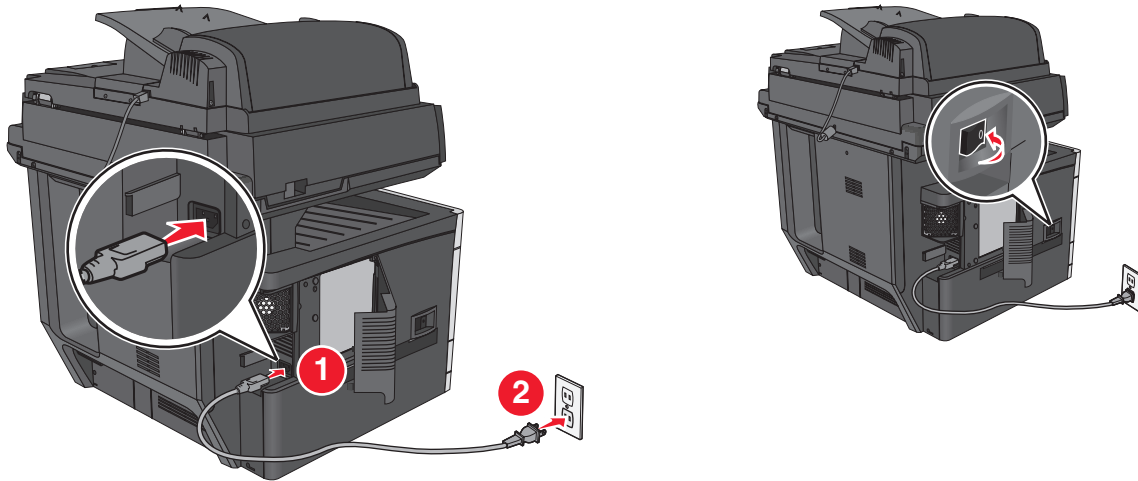
Note: For more information on allowing other computers on the network to use the wireless printer, see the *Networking Guide*.

Installing the printer on a wireless network (Macintosh)

Note: Make sure to disconnect the Ethernet cable when installing the printer on a wireless network.

Prepare to configure the printer

- 1 Connect the power cord to the printer, then to a properly grounded electrical outlet, and then turn on the printer.



- 2 Locate the printer MAC address.

- a From the printer control panel, navigate to:

🏠 > **Reports** > ⏴ > **Network Setup Page** > ⏴

or

☰ > **Reports** > **Network Setup Page**

- b In the Standard Network Card section, look for **UAA (MAC)**.

Note: You will need this information later.

Enter the printer information

- 1 Access the AirPort options:

In Mac OS X version 10.5 or later

From the Apple menu, navigate to either of the following:

- **System Preferences > Network > Wi-Fi**
- **System Preferences > Network > AirPort**

In Mac OS X version 10.4

From the Finder, navigate to:

Applications > Internet Connect > AirPort

- 2 From the Network Name pop-up menu, select **print server [yyyyyy]**, where the **y**'s are the last six digits of the MAC address located on the MAC address sheet.
- 3 Open a Web browser.
- 4 From the Bookmarks menu, select **Show** or **Show All Bookmarks**.

5 Under COLLECTIONS, select **Bonjour** or **Rendezvous**, and then double-click the printer name.

Note: The application referred to as *Rendezvous* in Mac OS X version 10.2 is now called *Bonjour* by Apple Inc.

6 From the Embedded Web Server, navigate to the location of the wireless settings information.

Configure the printer for wireless access

1 Type the network name (SSID) in the appropriate field.

2 Select **Infrastructure** as your Network Mode setting if you are using an access point (wireless router).

3 Select the type of security you want to use to protect the wireless network.

4 Enter the security information necessary for the printer to connect to the wireless network.

5 Click **Submit**.

6 Open the AirPort application on the computer:

In Mac OS X version 10.5 or later

From the Apple menu, navigate to either of the following:

- **System Preferences > Network > Wi-Fi**
- **System Preferences > Network > AirPort**

In Mac OS X version 10.4

From the Finder, navigate to:

Applications > Internet Connect > AirPort

7 From the Network pop-up menu, select the name of the wireless network.

Configure your computer to use the printer wirelessly

To print on a network printer, each Macintosh user must install a custom printer driver file and create a print queue in the Printer Setup Utility or Print Center.

1 Install a printer driver file on the computer:

a Obtain a copy of the software installer package.

- From the *Software and Documentation* CD that came with your printer.
- From our Web site:

Go to <http://support.lexmark.com>, and then navigate to:

SUPPORT & DOWNLOAD > select your printer > select your operating system

b Double-click the installer package for the printer.

c Follow the instructions on the computer screen.

d Select a destination, and then click **Continue**.

e From the Easy Install screen, click **Install**.

f Type the user password, and then click **OK**.

All necessary applications are installed in the computer.

g Click **Close** when the installation is complete.

2 Add the printer:

a For IP printing:

In Mac OS X version 10.5 or later

- 1 From the Apple menu, navigate to either of the following:
 - **System Preferences > Print & Scan**
 - **System Preferences > Print & Fax**
- 2 Click +.
- 3 If necessary, click **Add Printer or Scanner** or **Add Other Printer or Scanner**.
- 4 Click the **IP** tab.
- 5 Type the IP address of the printer in the address field, and then click **Add**.

In Mac OS X version 10.4

- 1 From the Finder, navigate to:
Applications > Utilities
- 2 Double-click **Printer Setup Utility** or **Print Center**.
- 3 From the Printer List, choose **Add**, and then click **IP Printer**.
- 4 Type the IP address of the printer in the address field, and then click **Add**.

b For AppleTalk printing:**Notes:**

- Make sure AppleTalk is activated on your printer.
- This feature is supported only in Mac OS X version 10.5 or earlier.

In Mac OS X version 10.5

- 1 From the Apple menu, navigate to:
System Preferences > Print & Fax
- 2 Click +, and then navigate to:
AppleTalk > select the printer from the list > Add

In Mac OS X version 10.4

- 1 From the Finder, navigate to:
Applications > Utilities
- 2 Double-click **Printer Setup Utility** or **Print Center**.
- 3 From the Printer List, click **Add**.
- 4 Click **Default Browser** tab > **More Printers**.
- 5 From the first pop-up menu, select **AppleTalk**.
- 6 From the second pop-up menu, select **Local AppleTalk Zone**.
- 7 Select the printer from the list, and then click **Add**.

Installing the printer on an Ethernet network

Note: Make sure you have completed the initial setup of the printer.

For Windows users

1 Obtain a copy of the software installer package.

- From the *Software and Documentation* CD that came with your printer.
- From our Web site:
Go to <http://support.lexmark.com>, and then navigate to:
SUPPORT & DOWNLOAD > select your printer > select your operating system

2 Double-click the software installer package.

Wait for the installation dialog to appear.


If you are using the *Software and Documentation* CD and the installation dialog does not appear, then do the following:

In Windows 8

From the Search charm, type **run**, and then navigate to:

Apps list > **Run** > type **D:\setup.exe** > **OK**

In Windows 7 or earlier

- a Click  or click **Start**, and then click **Run**.
- b In the Start Search or Run dialog, type **D:\setup.exe**.
- c Press **Enter** or click **OK**.

Note: D is the letter of your CD or DVD drive.

3 Click **Install**, and then follow the instructions on the computer screen.

Note: To configure the printer using a static IP address, IPv6, or scripts, select **Advanced Options** > **Administrator Tools**.

4 Select **Ethernet connection**, and then click **Continue**.

5 Attach the Ethernet cable when instructed to do so.

6 Select the printer from the list, and then click **Continue**.

Note: If the configured printer does not appear in the list, then click **Modify Search**.

7 Follow the instructions on the computer screen.

For Macintosh users

1 Allow the network DHCP server to assign an IP address to the printer.

2 Obtain the printer IP address either:

- From the printer control panel
- From the TCP/IP section in the Network/Ports menu
- By printing a network setup page or menu settings page, and then finding the TCP/IP section

Note: You will need the IP address if you are configuring access for computers on a different subnet than the printer.

3 Install the printer driver on the computer.

- a Double-click the installer package for the printer.
- b Follow the instructions on the computer screen.

- c Select a destination, and then click **Continue**.
- d From the Easy Install screen, click **Install**.
- e Type the user password, and then click **OK**.
All the necessary applications are installed on the computer.
- f Click **Close** when the installation is complete.

4 Add the printer.

- For IP printing:

In Mac OS X version 10.5 or later

- a From the Apple menu, navigate to either of the following:
 - **System Preferences > Print & Scan**
 - **System Preferences > Print & Fax**
- b Click **+**.
- c If necessary, click **Add Printer or Scanner** or **Add Other Printer or Scanner**.
- d Click the **IP** tab.
- e Type the printer IP address in the address field, and then click **Add**.

In Mac OS X version 10.4 or earlier

- a From the Finder, navigate to:
Applications > Utilities
- b Double-click **Printer Setup Utility** or **Print Center**.
- c From the printer list, click **Add**, and then click **IP Printer**.
- d Type the scanner IP address in the address field, and then click **Add**.
- For AppleTalk printing:

Notes:

- Make sure AppleTalk is activated on your printer.
- This feature is supported only in Mac OS X version 10.5 or earlier.

In Mac OS X version 10.5

- a From the Apple menu, navigate to:
System Preferences > Print & Fax
- b Click **+**, and then navigate to:
AppleTalk > select your printer > Add

In Mac OS X version 10.4 or earlier

- a From the Finder, navigate to:
Applications > Utilities
- b Double-click **Printer Setup Utility** or **Print Center**.
- c From the printer list, click **Add**.
- d Click **Default Browser** tab > **More Printers**.
- e From the first pop-up menu, select **AppleTalk**.

- f** From the second pop-up menu, select **Local AppleTalk Zone**.
- g** Select the device from the list, and then click **Add**.

Note: If the scanner does not show up in the list, then you may need to add it using the IP address. For more information, contact your system support person.

Changing port settings after installing a new network Internal Solutions Port

When a new Lexmark Internal Solutions Port (ISP) is installed in the printer, the printer configurations on computers that access the printer must be updated since the printer will be assigned a new IP address. All computers that access the printer must be updated with this new IP address.

Notes:

- If the printer has a static IP address, then you do not need to make any changes to the computer configurations.
- If the computers are configured to use the network name, instead of an IP address, then you do not need to make any changes to your computer configurations.
- If you are adding a wireless ISP to a printer previously configured for an Ethernet connection, then make sure the printer is disconnected from the Ethernet network when you configure the printer to operate wirelessly. If the printer is connected to the Ethernet network, then the wireless configuration completes, but the wireless ISP is inactive. To activate the wireless ISP, disconnect the printer from the Ethernet network, turn off the printer, and then turn it back on.
- Only one network connection is active at a time. To switch between Ethernet and wireless connection types, turn off the printer, connect the cable (to switch to an Ethernet connection) or disconnect the cable (to switch to a wireless connection), and then turn the printer back on.

For Windows users

- 1 Open a Web browser, and then type the printer IP address in the address field.

Notes:

- View the printer IP address on the printer control panel. The IP address appears as four sets of numbers separated by periods, such as 123.123.123.123.
- If you are using a proxy server, then temporarily disable it to load the Web page correctly.


- 2 Open the printers folder.

In Windows 8

From the Search charm, type **Run** and then navigate to:

Apps list > **Run** > type **control printers** > **OK**

In Windows 7 or earlier

- a** Click , or click **Start** and then click **Run**.
- b** In the Start Search or Run dialog, type **control printers**.
- c** Press **Enter**, or click **OK**.

- 3 To select the printer that has changed, do either of the following:
 - Press and hold the printer, and then select **Printer properties**.
 - Right-click the printer, and then select **Printer properties** (Windows 7 or later) or **Properties** (earlier versions).

Note: If there is more than one copy of the printer, then update all of them with the new IP address.
- 4 Click the **Ports** tab.
- 5 Select the port from the list, and then click **Configure Port**.
- 6 Type the new IP address in the “Printer Name or IP Address” field.
- 7 Click **OK > Close**.

For Macintosh users

- 1 Open a Web browser, and then type the printer IP address in the address field.

Notes:

- View the printer IP address on the printer control panel. The IP address appears as four sets of numbers separated by periods, such as 123.123.123.123.
- If you are using a proxy server, then temporarily disable it to load the Web page correctly.

- 2 Add the printer.

- For IP printing:
 - a From the Apple menu, navigate to either of the following:
 - **System Preferences > Print & Scan**
 - **System Preferences > Print & Fax**
 - b Click **+**.
 - c Click the **IP** tab.
 - d Type the printer IP address in the address field, and then click **Add**.
- For AppleTalk printing:

Notes:

- Make sure AppleTalk is activated on your printer.
- This feature is supported only in Mac OS X version 10.5.

- a From the Apple menu, navigate to:
System Preferences > Print & Fax
- b Click **+**, and then navigate to:
AppleTalk > select the printer > Add

Setting up serial printing

Use serial printing to print when the computer is far from the printer or to print at a reduced speed.

After installing the serial or communication (COM) port, configure the printer and the computer. Make sure you have connected the serial cable to the COM port on your printer.

1 Set the parameters in the printer.

- a** From the printer control panel, navigate to the menu for the port settings.
- b** Locate the menu for the serial port settings, and then adjust the settings, if necessary.
- c** Save the modified settings, and then print a menu settings page.

2 Install the printer driver.

- a** Obtain a copy of the software installer package.
 - From the *Software and Documentation* CD that came with your printer
 - From our Web site:
Go to <http://support.lexmark.com>, and then navigate to:
SUPPORT & DOWNLOAD > select your printer > select your operating system

b Double-click the software installer package.

Wait for the installation dialog to appear.


If you are using the *Software and Documentation* CD and the installation dialog does not appear, then do the following:

In Windows 8

From the Search charm type **run**, and then navigate to:

Apps list > **Run** > type **D:\setup.exe** > **OK**

In Windows 7 or earlier

- 1** Click  or click **Start**, and then click **Run**.
- 2** In the Start Search or Run dialog, type **D:\setup.exe**.
- 3** Press **Enter** or click **OK**.

Note: D is the letter of your CD or DVD drive.

- c** Click **Install**.
- d** Follow the instructions on the computer screen.
- e** Select **Advanced**, and then click **Continue**.
- f** From the Configure Printer Connection dialog, select a port.
- g** If the port is not in the list, then click **Refresh**, or navigate to:
Add port > select a port type > enter the necessary information > **OK**
- h** Click **Continue** > **Finish**.

3 Set the COM port parameters.

After installing the printer driver, set the serial parameters in the COM port assigned to the printer driver.

Note: Make sure the serial parameters in the COM port match the serial parameters you set in the printer.


- a** Open Device Manager.

In Windows 8

From the Search charm, type **run** and then navigate to:

Apps list > **Run** > type **devmgmt.msc** > **OK**

In Windows 7 or earlier

- 1** Click  or click **Start**, and then click **Run**.
 - 2** In the Start Search or Run dialog, type `devmgmt.msc`.
 - 3** Press **Enter** or click **OK**.
- b** Double-click **Ports (COM & LPT)** to expand the list of available ports.
- c** Do either of the following:
- Press and hold the COM port where you attached the serial cable to your computer (example: COM1).
 - Right-click the COM port where you attached the serial cable to your computer (example: COM1).
- d** From the menu that appears, select **Properties**.
- e** On the Port Settings tab, set the serial parameters to the same serial parameters set in the printer. Check the serial heading of the menu settings page for the printer settings.
- f** Click **OK**, and then close all the dialogs.
- g** Print a test page to verify printer installation.

Minimizing your printer's environmental impact

Lexmark is committed to environmental sustainability and is continually improving its printers to reduce their impact on the environment. We design with the environment in mind, engineer our packaging to reduce materials, and provide collection and recycling programs. For more information, see:

- The Notices chapter
- The Environmental Sustainability section of the Lexmark Web site at www.lexmark.com/environment
- The Lexmark recycling program at www.lexmark.com/recycle

By selecting certain printer settings or tasks, you may be able to reduce your printer's impact even further. This chapter outlines the settings and tasks that may yield a greater environmental benefit.

Saving paper and toner

Studies show that as much as 80% of the carbon footprint of a printer is related to paper usage. You can significantly reduce your carbon footprint by using recycled paper and the following printing suggestions, such as printing on both sides of the paper and printing multiple pages on one side of a single sheet of paper.

For information on how you can quickly save paper and energy using one printer setting, see “Using Eco-Mode” on page 76.

Using recycled paper

As an environmentally conscious company, Lexmark supports the use of recycled office paper produced specifically for use in laser/LED printers. For more information on recycled papers that work well with your printer, see “Using recycled paper and other office papers” on page 91.

Conserving supplies

Use both sides of the paper

If your printer model supports duplex printing, you can control whether print appears on one or two sides of the paper by selecting **2-sided printing** from the Print dialog or from the Lexmark Toolbar.

Place multiple pages on one sheet of paper

You can print up to 16 consecutive pages of a multiple-page document onto one side of a single sheet of paper by selecting a setting from the Multipage printing (N-Up) section of the Print dialog screen.

Check your first draft for accuracy

Before printing or making multiple copies of a document:

- Use the preview feature, which you can select from the Print dialog or from the Lexmark Toolbar to see how the document will look like before you print it.
- Print one copy of the document to check its content and format for accuracy.

Avoid paper jams

Correctly set the paper type and size to avoid paper jams. For more information, see “Avoiding jams” on page 252.

Print in black and white

To print all text and graphics using only the black toner cartridge, set the printer to Black Only. For more information, see “Printing in black and white” on page 96.

Use Max Speed or Max Yield settings

The Max Speed and Max Yield settings let you choose between a faster print speed or a higher toner yield. Max Speed is the factory default setting. For more information, see “Using Max Speed and Max Yield” on page 103.

Saving energy

Using Eco-Mode

- 1 Type the printer IP address into the address field of your Web browser.

If you do not know the IP address of the printer, you can:

- View the IP address on the printer control panel in the TCP/IP section under the Networks/Ports menu.
- Print a network setup page or the menu settings pages and locate the IP address in the TCP/IP section.

- 2 Click **Settings > General Settings > Eco-Mode > select a setting > Submit.**

| Choose | To |
|---------------------|--|
| Off | Use factory default settings for all settings associated with Eco-Mode. This setting supports the performance specifications of your printer. |
| Energy | Reduce energy use, especially when the printer is idle. <ul style="list-style-type: none"> • Printer engine motors do not start until it is ready to print. You may notice a short delay before the first page is printed. • The printer enters Sleep mode after one minute of inactivity. • When the printer enters Sleep mode, the printer control panel display and the standard exit bin lights are turned off. • If scanning is supported, the scanner lamps are activated only when a scan job is started. |
| Energy/Paper | Use all the settings associated with Energy mode and Paper mode. |
| Paper | <ul style="list-style-type: none"> • Enable the automatic duplex feature. • Turn off print log features. |

Reducing printer noise

To select a Quiet Mode setting using the Embedded Web Server:

- 1 Type the printer IP address into the address field of your Web browser.

If you do not know the IP address of the printer, you can:

- View the IP address on the printer control panel in the TCP/IP section under the Networks/Ports menu.
- Print a network setup page or the menu settings pages and locate the IP address in the TCP/IP section.

2 Click **Settings > General Settings > Quiet Mode > select a setting > Submit.**

| Choose | To |
|---|--|
| Off Note: Selecting Photo from the driver may disable Quiet Mode and provide better print quality and full speed printing. | Use factory default settings. This setting supports the performance specifications of your printer. |
| On | Reduce printer noise. <ul style="list-style-type: none"> • Print jobs will process at a reduced speed. • Printer engine motors do not start until a document is ready to print. There will be a short delay before the first page is printed. • If your printer has faxing capability, fax sounds are reduced or disabled, including those made by the fax speaker and ringer. The fax is placed in standby mode. • The alarm control and cartridge alarm sounds are turned off. • The printer will ignore the Advance Start command. |

Adjusting Sleep Mode

To save energy, you can decrease the number of minutes before the printer enters Sleep Mode.

Available settings range from 1–240 minutes. The factory default setting is 5 minutes.

Using the Embedded Web Server

1 Type the printer IP address into the address field of your Web browser.

If you do not know the IP address of the printer, you can:

- View the IP address on the printer control panel in the TCP/IP section under the Networks/Ports menu.
- Print a network setup page or the menu settings pages and locate the IP address in the TCP/IP section.

2 Click **Settings > General Settings > Timeouts.**

3 In the Sleep Mode field, enter the number of minutes you want the printer to wait before it enters Sleep Mode.


4 Click **Submit.**

Using the printer control panel

1 From the home screen, navigate to:

 > **Settings > General Settings > Timeouts > Sleep Mode**

2 In the Sleep Mode field, select the number of minutes you want the printer to wait before it enters Sleep Mode.

3 Touch .

Using Hibernate Mode

Hibernate is an ultra-low power operating mode. When operating in Hibernate mode, the printer is essentially off, and all other systems and devices are powered down safely.

Note: The Hibernate and Sleep modes can be scheduled.

Using the Embedded Web Server

1 Type the printer IP address in the address field of your Web browser.

If you do not know the IP address of the printer, then you can:

- View the IP address on the printer control panel in the TCP/IP section under the Networks/Ports menu.
- Print a network setup page or the menu settings pages and locate the IP address in the TCP/IP section.

2 Click **Settings > General Settings > Sleep Button Settings**.

3 From the Press Sleep Button or Press and Hold Sleep Button drop-down, select **Hibernate**.

4 Click **Submit**.

Using the printer control panel

1 From the home screen, navigate to:



> **Settings > General Settings > Press Sleep Button or Press and Hold Sleep Button > Hibernate**

2 Touch **Submit**.

Adjusting the brightness of the display

To save energy, or if you have trouble reading your display, then adjust the brightness of the display.

Available settings range from 20–100. The factory default setting is 100.

Using the Embedded Web Server

1 Type the printer IP address into the address field of your Web browser.

If you do not know the IP address of the printer, you can:

- View the IP address on the printer control panel in the TCP/IP section under the Networks/Ports menu.
- Print a network setup page or the menu settings pages and locate the IP address in the TCP/IP section.

2 Click **Settings > General Settings**.

3 In the Screen Brightness field, enter the brightness percentage you want for the display.

4 Click **Submit**.

Using the printer control panel

1 From the home screen, navigate to:



> **Settings > General Settings**

2 Touch the arrows until **Screen Brightness** appears, and then select a setting.

3 Touch **Submit**.

Setting the standard exit bin light

To save energy, you can dim or turn off the output lighting for the standard exit bin.

Available settings are Off, Dim, and Bright.

The factory default setting for Normal/Standby Mode is Bright.

When Eco-Mode is set to Energy or Energy/Paper, then the light setting is Dim.

When in Sleep Mode, then the light is off.

Using the Embedded Web Server

1 Type the printer IP address into the address field of your Web browser.

If you do not know the IP address of the printer, then you can:

- View the IP address on the printer control panel in the TCP/IP section under the Networks/Ports menu.
- Print a network setup page or the menu settings pages and locate the IP address in the TCP/IP section.

2 Click **Settings > General Settings > Output Lighting**.

3 From the Normal/Standby Mode list, select the light setting for the standard exit bin when in Ready or Standby mode.

4 Click **Submit**.

Using the printer control panel

1 From the home screen, navigate to:



> **Settings > General Settings > Output Lighting**

2 Touch the arrow button next to **Normal/Standby Mode** to select the light settings for the standard exit bin when in Ready or Standby Mode.

3 Touch **Submit**.

Recycling

Lexmark provides collection programs and environmentally progressive approaches to recycling. For more information, see:

- The Notices chapter
- The Environmental Sustainability section of the Lexmark Web site at www.lexmark.com/environment
- The Lexmark recycling program at www.lexmark.com/recycle

Recycling Lexmark products

To return Lexmark products for recycling:

1 Go to www.lexmark.com/recycle.

2 Find the product type you want to recycle, and then select your country or region from the list.

3 Follow the instructions on the computer screen.

Note: Printer supplies and hardware not listed in the Lexmark collection program may be recycled through your local recycling center. Contact your local recycling center to determine the items they accept.

Recycling Lexmark packaging

Lexmark continually strives to minimize packaging. Less packaging helps to ensure that Lexmark printers are transported in the most efficient and environmentally sensitive manner and that there is less packaging to dispose of. These efficiencies result in fewer greenhouse emissions, energy savings, and natural resource savings.

Lexmark cartons are 100% recyclable where corrugated recycling facilities exist. Facilities may not exist in your area.

The foam used in Lexmark packaging is recyclable where foam recycling facilities exist. Facilities may not exist in your area.

When you return a cartridge to Lexmark, you can reuse the box that the cartridge came in. Lexmark will recycle the box.

Returning Lexmark cartridges for reuse or recycling

Lexmark Cartridge Collection Program diverts millions of Lexmark cartridges from landfills annually by making it both easy and free for Lexmark customers to return used cartridges to Lexmark for reuse or recycling. One hundred percent of the empty cartridges returned to Lexmark are either reused or demanufactured for recycling. Boxes used to return the cartridges are also recycled.

To return Lexmark cartridges for reuse or recycling, follow the instructions that came with your printer or cartridge and use the prepaid shipping label. You can also do the following:

- 1** Go to www.lexmark.com/recycle.
- 2** From the Toner Cartridges section, select your country or region.
- 3** Follow the instructions on the computer screen.

Loading paper and specialty media

Setting the paper size and type

The Paper Size setting is automatically sensed according to the position of the paper guides in each tray except the multipurpose feeder. The Paper Size setting for the multipurpose feeder must be set manually from the Paper Size menu. The Paper Type setting must be set manually for all trays that do not contain plain paper.

From the home screen navigate to:



> **Paper Menu** > **Paper Size/Type** > select a tray > select the paper size or type > **Submit**

Configuring Universal paper settings

The Universal Paper Size is a user-defined setting that lets you print on paper sizes that are not preset in the printer menus. Set the Paper Size for the specified tray to Universal when the size you want is not available from the Paper Size menu. Then, specify all of the following Universal size settings for your paper:

- Units of Measure
- Portrait Width
- Portrait Height

Note: The maximum setting for Portrait Width and Portrait Height is 3–48 inches.

1 From the home screen, navigate to:



> **Paper Menu** > **Universal Setup** > **Units of Measure** > select a unit of measure

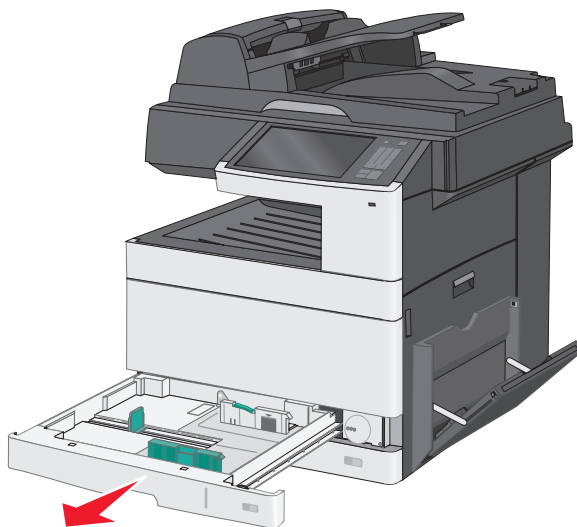
2 Touch **Portrait Width** or **Portrait Height** > select the width or height > **Submit**

Loading the standard or optional 550-sheet tray

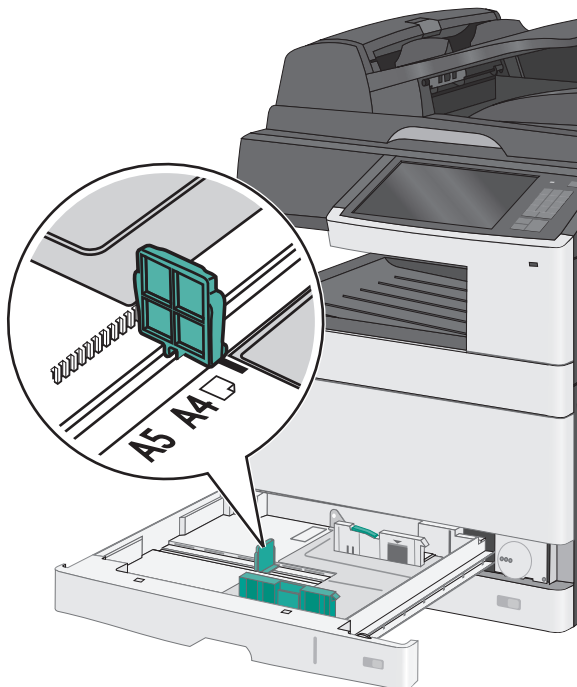
The printer has a standard 150-sheet (Tray 1) and 250-sheet tray (Tray 2), and it may have one or more optional 550-sheet trays. All 550-sheet trays support the same paper sizes and types.

⚠ CAUTION—POTENTIAL INJURY: To reduce the risk of equipment instability, load each paper drawer or tray separately. Keep all other drawers or trays closed until needed.

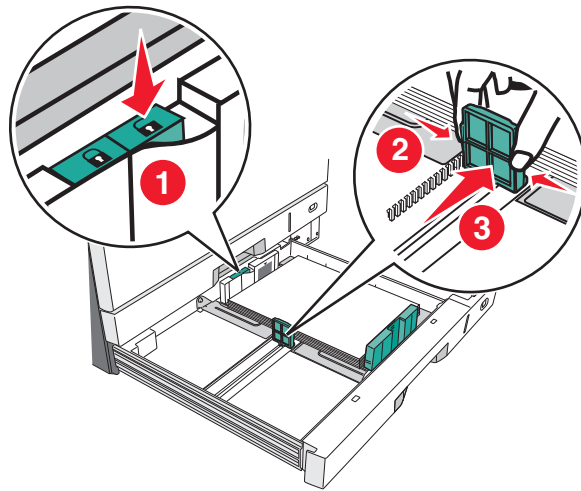
- 1 Pull the tray out.



Notice the size indicators at the bottom of the tray. Use these indicators to help position the guides.

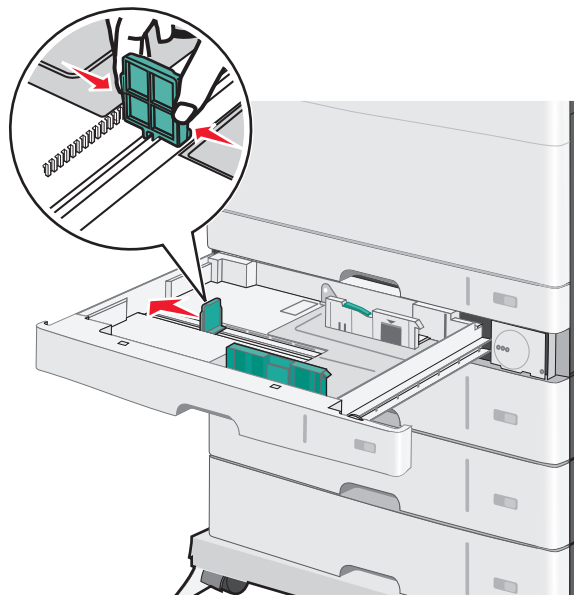


- 2 Make sure to release the width guide lock at the rear of the tray. Squeeze and then slide the width guide to the correct position for the paper size you are loading.

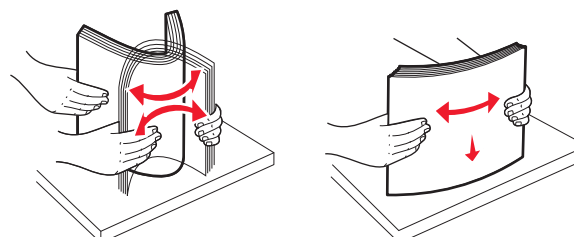


Note: Always use the width guide lock at the rear of the tray to prevent the margins from being knocked out of adjustment.

- 3 Squeeze and then slide the length guide to the correct position for the paper size you are loading.



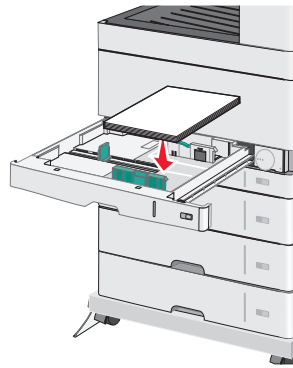
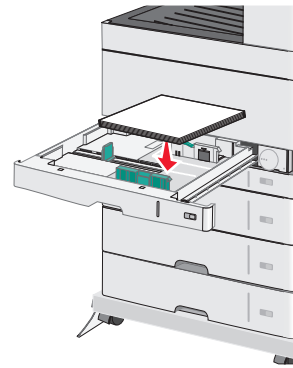
- 4 Flex the sheets back and forth to loosen them. Do not fold or crease the paper. Straighten the edges on a level surface.



- 5 Load the paper stack with the recommended print side faceup.

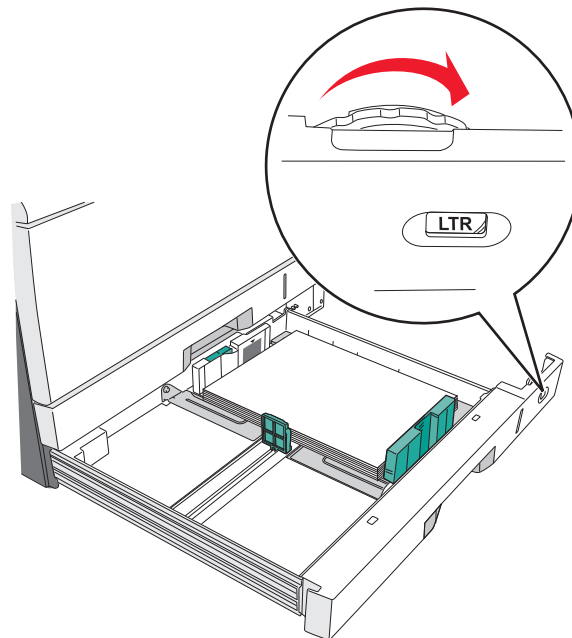
Notes:

- If the paper is longer than A4, then load it in short-edge orientation.
- If the paper is shorter than A4, then load it in long-edge orientation.
- Make sure the paper is below the maximum fill line located on the edge of the paper tray. Overloading the tray can cause paper jams and possible printer damage.

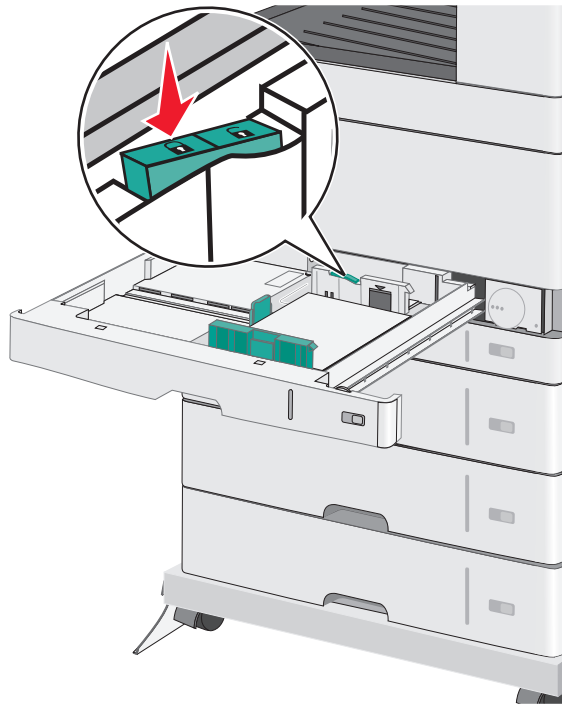
Long-edge orientation**Short-edge orientation**

6 Adjust both the width and length guides to lightly touch the edge of the paper stack. Make sure the paper fits loosely in the tray, lies flat, and is not bent or wrinkled.

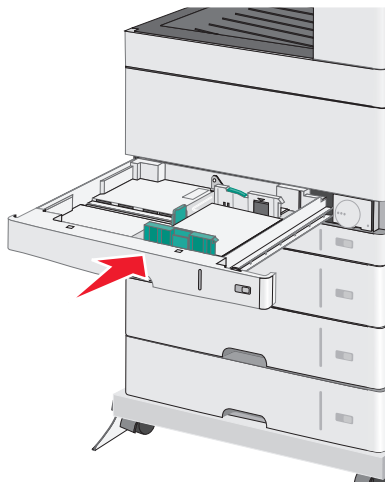
7 Turn the wheel clockwise to set the paper size.



8 Lock the width guide.



9 Insert the tray.



10 From the printer control panel, verify the Paper Size and Paper Type for the tray based on the paper you loaded.

Loading the multipurpose feeder

The multipurpose feeder can hold several sizes and types of print media, such as transparencies, labels, card stock, and envelopes. It can be used for single-page or manual printing, or as an additional tray.

The multipurpose feeder can hold approximately:

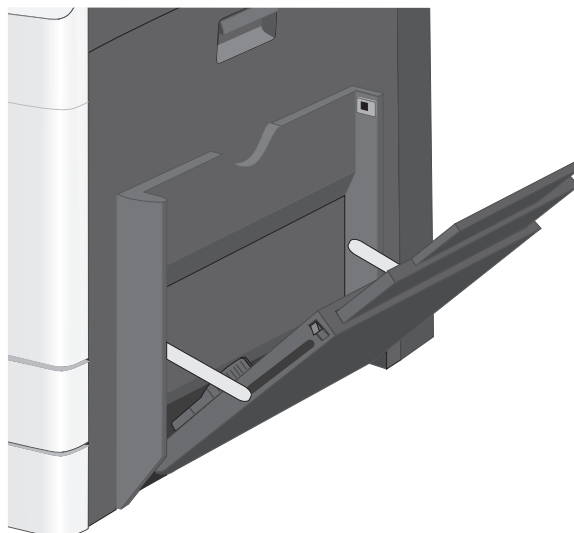
- 50 sheets of 75-g/m² (20-lb) paper
- 10 envelopes
- 20 transparencies

Note: Do not add or remove paper or specialty media when the printer is printing from the multipurpose feeder or when the printer control panel indicator light is blinking. Doing so may cause a jam.

- 1 Pull down the multipurpose feeder door.

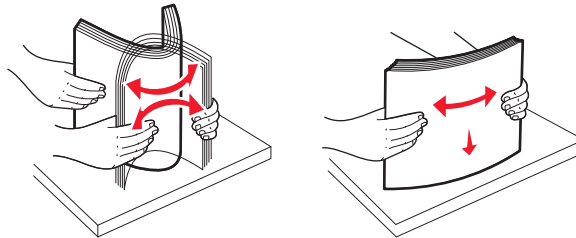


- 2 Gently pull the extension until it is fully extended.

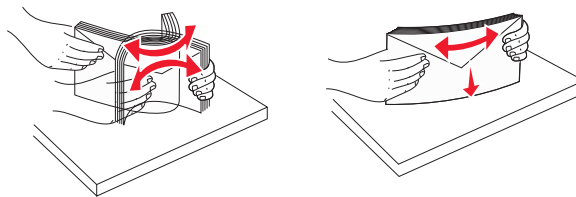


- 3 Flex the sheets of paper or specialty media back and forth to loosen them. Do not fold or crease them. Straighten the edges on a level surface.

Paper

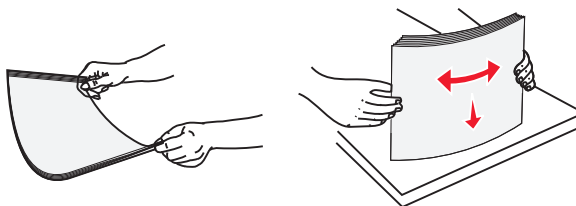


Envelopes



Transparencies

Note: Avoid scratching or touching the print side.

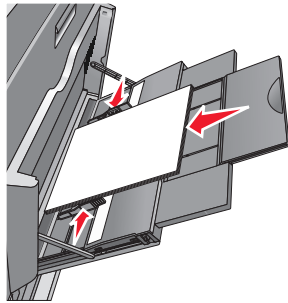


- 4 Load the paper or specialty media. Slide the stack gently into the multipurpose feeder until it comes to a stop.

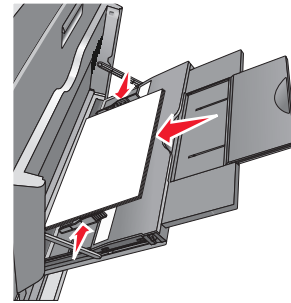
Notes:

- Load A3-, A6-, 11x17, JIS B4-, Statement- and legal-size media in short-edge orientation.
- Load A4-, A5-, Exec-, JIS B5- and letter-size media in long-edge orientation.
- Load envelopes flap side up in short-edge orientation.
- Do not exceed the maximum amount of media that the multipurpose feeder can hold.
- Load only one size and type of paper at a time.

Long-edge orientation

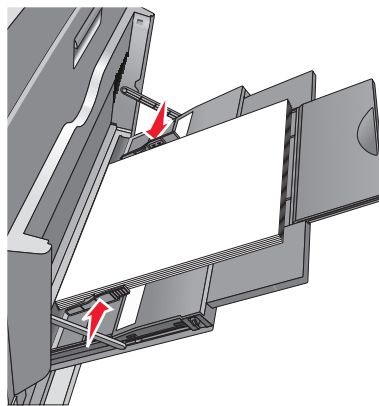


Short-edge orientation



Warning—Potential Damage: Never use envelopes with stamps, clasps, snaps, windows, coated linings, or self-stick adhesives. These envelopes may severely damage the printer.

- Adjust the width guide to lightly touch the edge of the stack. Make sure the paper or specialty media fits loosely in the multipurpose feeder, lies flat, and is not bent or wrinkled.



- From the printer control panel, set the Paper Size and Paper Type for the multipurpose feeder (MP Feeder Size and MP Feeder Type) based on the paper or specialty media loaded.

Linking and unlinking trays

Linking trays

Tray linking is useful for large print jobs or for printing multiple copies. When one linked tray is empty, paper feeds from the next linked tray. When the Paper Size and Paper Type settings are the same for any trays, the trays are automatically linked. The Paper Size setting is automatically sensed according to the position of the paper guides in each tray except Tray 1 and the multipurpose feeder. The Paper Size setting for the multipurpose feeder must be set manually from the Paper Size menu. The Paper Type setting must be set for all trays from the Paper Type menu. The Paper Type menu and the Paper Size menu are both available from the Paper Size/Type menu.

Unlinking trays

Note: Trays that do not have the same settings as any other tray are not linked.

Change one of the following tray settings:

- Paper Type

Paper Type names describe the paper characteristics. If the name that best describes your paper is used by linked trays, assign a different Paper Type name to the tray, such as Custom Type [x], or define your own custom name.

- Paper Size

Load a different paper size to automatically change the Paper Size setting for a tray. Paper Size settings for the multipurpose feeder are not automatic; they must be set manually from the Paper Size menu.

Warning—Potential Damage: Do not assign a Paper Type name that does not accurately describe the type of paper loaded in a tray. The temperature of the fuser varies according to the specified Paper Type. Prints may not be properly processed if an inaccurate Paper Type is selected.

Creating a custom name for a paper type

If the printer is on a network, you can use the Embedded Web Server to define a name other than Custom Type [x] for each of the custom paper types loaded into the printer.

- 1 Type the printer IP address into the address field of your Web browser.

Note: If you do not know the IP address of the printer, then you can:

- View the IP address on the printer control panel in the TCP/IP section under the Networks/Ports menu.
- Print a network setup page or the menu settings pages and locate the IP address in the TCP/IP section.

- 2 Click **Settings > Paper Menu > Custom Name > type a name > Submit.**

Note: This custom name will replace the Custom Type [x] name under the Custom Types and Paper Size and Type menus.

- 3 Click **Custom Types > select a paper type > Submit.**

Assigning a custom paper type name

Assign a custom paper type name to a tray when linking or unlinking trays.

From the home screen, navigate to:



> **Paper Menu > Paper Size/Type > select a custom paper type name > select a tray > Submit**

Configuring a custom name

If the printer is on a network, then you can use the Embedded Web Server to define a name other than Custom Type [x] for each of the custom paper types loaded into the printer.

- 1 Type the printer IP address in the address field of your Web browser.

Note: If you do not know the IP address of the printer, then you can:

- View the IP address on the printer control panel in the TCP/IP section under the Networks/Ports menu.
- Print a network setup page or the menu settings pages and locate the IP address in the TCP/IP section.

- 2 Click **Settings > Paper Menu > Custom Types > select the custom name you want to configure > select a paper or specialty media type > Submit.**

Paper and specialty media guidelines

Paper guidelines

Paper characteristics

The following paper characteristics affect print quality and reliability. Consider these factors before printing on them:

Weight

The printer trays and multipurpose feeder can automatically feed paper weights between 60–176 g/m² (16–47-lb) grain long paper. The 2100-sheet tray can automatically feed paper weights up to 60–135 g/m² (16–36-lb) grain long paper. Paper lighter than 60 g/m² (16 lb) might not be stiff enough to feed properly, and may cause jams.

Note: Two-sided printing is supported for 60–176 g/m² (16–47-lb) paper.

Curl

Curl is the tendency for paper to curl at its edges. Excessive curl can cause paper feeding problems. Curl can occur after the paper passes through the printer, where it is exposed to high temperatures. Storing paper unwrapped in hot, humid, cold, or dry conditions, even in the trays, can contribute to paper curling prior to printing and can cause feeding problems.

Smoothness

Paper smoothness directly affects print quality. If paper is too rough, toner cannot fuse to it properly. If paper is too smooth, it can cause paper feeding or print quality issues. Always use paper between 100 and 300 Sheffield points; smoothness between 150 and 250 Sheffield points produces the best print quality.

Moisture content

The amount of moisture in paper affects both print quality and the ability of the printer to feed the paper correctly. Leave paper in its original wrapper until it is time to use it. This limits the exposure of paper to moisture changes that can degrade its performance.

Store paper in its original wrapper in the same environment as the printer for 24 to 48 hours before printing. Extend the time several days if the storage or transportation environment is very different from the printer environment. Thick paper may also require a longer conditioning period.

Grain direction

Grain refers to the alignment of the paper fibers in a sheet of paper. Grain is either *grain long*, running the length of the paper, or *grain short*, running the width of the paper.

For 60–176 g/m² (16–47-lb) paper, grain long paper is recommended.

Fiber content

Most high-quality xerographic paper is made from 100% chemically treated pulped wood. This content provides the paper with a high degree of stability, resulting in fewer paper feeding problems and better print quality. Paper containing fibers such as cotton can negatively affect paper handling.

Unacceptable paper

The following paper types are not recommended for use with the printer:

- Chemically treated papers used to make copies without carbon paper, also known as carbonless papers, carbonless copy paper (CCP), or no carbon required (NCR) paper
- Preprinted papers with chemicals that may contaminate the printer
- Preprinted papers that can be affected by the temperature in the printer fuser
- Preprinted papers that require a registration (the precise print location on the page) greater than ± 2.3 mm (± 0.9 in.), such as optical character recognition (OCR) forms

In some cases, registration can be adjusted with a software application to successfully print on these forms.

- Coated papers (erasable bond), synthetic papers, thermal papers
- Rough-edged, rough or heavily textured surface papers, or curled papers
- Recycled papers that fail EN12281:2002 (European)
- Paper weighing less than 60 g/m^2 (16 lb)
- Multiple-part forms or documents

Selecting paper

Using the appropriate paper prevents jams and helps ensure trouble-free printing.

To help avoid paper jams and poor print quality:

- *Always* use new, undamaged paper.
- Before loading paper, know the recommended printable side of the paper. This information is usually indicated on the paper package.
- *Do not* use paper that has been cut or trimmed by hand.
- *Do not* mix paper sizes, types, or weights in the same tray; mixing results in jams.
- *Do not* use coated papers unless they are specifically designed for electrophotographic printing.

Selecting preprinted forms and letterhead

- Use grain long for $60\text{--}90\text{-g/m}^2$ (16–24-lb) paper.
- Use only forms and letterhead printed using an offset lithographic or engraved printing process.
- Avoid paper with rough or heavily textured surfaces.
- Use inks that are not affected by the resin in toner. Inks that are oxidation-set or oil-based generally meet these requirements; latex inks might not.
- Print samples on preprinted forms and letterheads considered for use before buying large quantities. This determines whether or not the ink in the preprinted form or letterhead will affect print quality.
- When in doubt, contact your paper supplier.

Using recycled paper and other office papers

As an environmentally conscious company, Lexmark supports the use of recycled office paper produced specifically for use in laser and LED (electrophotographic) printers. In 1998, Lexmark presented to the US government a study demonstrating that recycled paper produced by major mills in the US fed as well as non-recycled paper. However, no blanket statement can be made that *all* recycled paper will feed well.

Lexmark consistently tests its printers with recycled paper (20–100% post-consumer waste) and a variety of test paper from around the world, using chamber tests for different temperature and humidity conditions. Lexmark has found no reason to discourage the use of today's recycled office papers, but generally the following property guidelines apply to recycled paper.

- Low moisture content (4–5%)
- Suitable smoothness (100–200 Sheffield units, or 140–350 Bendtsen units, European)

Note: Some much smoother papers (such as premium 24 lb laser and LED papers, 50–90 Sheffield units) and much rougher papers (such as premium cotton papers, 200–300 Sheffield units) have been engineered to work very well in laser and LED printers, despite surface texture. Before using these types of paper, consult your paper supplier.

- Suitable sheet-to-sheet coefficient of friction (0.4–0.6)
- Sufficient bending resistance in the direction of feed

Recycled paper, paper of lower weight (<60 g/m² [16 lb bond]) and/or lower caliper (<3.8 mils [0.1 mm]), and paper that is cut grain-short for portrait (or short-edge) fed printers may have lower bending resistance than is required for reliable paper feeding. Before using these types of paper for laser or LED (electrophotographic) printing, consult your paper supplier. Remember that these are general guidelines only and that paper meeting these guidelines may still cause paper feeding problems in any laser or LED printer (for example, if the paper curls excessively under normal printing conditions).

Storing paper

Use these paper storage guidelines to help avoid jams and uneven print quality:

- For best results, store paper where the temperature is 21°C (70°F) and the relative humidity is 40 percent. Most label manufacturers recommend printing in a temperature range of 18–24°C (65–75°F) with relative humidity between 40 and 60 percent.
- Store paper in cartons, on a pallet or shelf, rather than on the floor.
- Store individual packages on a flat surface.
- Do not store anything on top of individual paper packages.
- Take paper out of the carton or wrapper only when you are ready to load it in the printer. The carton and wrapper help keep the paper clean, dry, and flat.

Supported paper sizes, types, and weights

The following tables provide information on standard and optional paper input sources and the types of paper they support.

Note: To use a paper size that is unlisted, configure a Universal Paper Size.

Supported paper sizes

| Paper size and dimension | 150-sheet tray | 250-sheet tray | 520-sheet tray | MP Feeder | Manual Paper | Manual Envelope | Duplex | ADF | Scanner glass |
|---|----------------|----------------|----------------|----------------|----------------|-----------------|--------|----------------|----------------|
| A4 210 x 297 mm (8.27 x 11.7 in.) | ✓ | ✓ ¹ | ✓ ¹ | ✓ ³ | ✓ ³ | ✓ | ✓ | ✓ | ✓ |
| A5 148 x 210 mm (5.83 x 8.27 in.) | X | ✓ ¹ | ✓ ¹ | ✓ ³ | ✓ ³ | X | ✓ | ✓ ¹ | ✓ ¹ |
| A6 105 x 148 mm (4.13 x 5.83 in.) | X | X | X | ✓ ³ | ✓ ³ | X | X | X | ✓ ¹ |
| JIS B5 182 x 257 mm (7.17 x 10.1 in.) | X | ✓ | ✓ | ✓ ³ | ✓ ³ | X | ✓ | ✓ ¹ | ✓ ¹ |
| Letter 216 x 279 mm (8.5 x 11 in.) | ✓ | ✓ ² | ✓ ² | ✓ ³ | ✓ ³ | X | ✓ | ✓ | ✓ |
| Legal 216 x 356 mm (8.5 x 14 in.) | ✓ | ✓ | ✓ | ✓ ³ | ✓ ³ | X | ✓ | ✓ ² | ✓ ² |
| Executive 184 x 267 mm (7.25 x 10.5 in.) | X | X | X | ✓ ³ | ✓ ³ | X | ✓ | ✓ ² | ✓ ² |
| JIS B4 257 x 364 mm (10.12 x 14.33 in.) | ✓ | ✓ | ✓ | ✓ ³ | ✓ ³ | X | ✓ | ✓ | ✓ ¹ |
| A3 297 x 420 mm (11.69 x 16.54 in.) | ✓ | ✓ | ✓ | ✓ ³ | ✓ ³ | X | ✓ | ✓ | ✓ |

¹ Paper size is supported if set to metric.

² Paper size is supported if set to US.

³ Source supports size without *size sensing*.

⁴ Source supports size with *size sensing*.

| Paper size and dimension | 150-sheet tray | 250-sheet tray | 520-sheet tray | MP Feeder | Manual Paper | Manual Envelope | Duplex | ADF | Scanner glass |
|---|----------------|----------------|----------------|----------------|----------------|-----------------|--------|----------------|----------------|
| 11x17 279 x 432 mm (11 x 17 in.) | ✓ | ✓ ² | ✓ ² | ✓ ³ | ✓ ³ | X | ✓ | ✓ | ✓ |
| Oficio (México) 216 x 340 mm (8.5 x 13.4 in.) | X | X | X | ✓ ³ | ✓ ³ | X | ✓ | ✓ ⁴ | ✓ ⁴ |
| Folio 216 x 330 mm (8.5 x 13 in.) | X | X | X | ✓ ³ | ✓ ³ | X | ✓ | ✓ ¹ | ✓ ¹ |
| Statement 140 x 216 mm (5.5 x 8.5 in.) | X | X | X | ✓ ³ | ✓ ³ | X | ✓ | ✓ ² | ✓ ² |
| Universal 64-297 mm x 148-432 mm (2.52-11.69 x 5.83-17.01 in.) | X | X | X | ✓ ³ | ✓ ³ | X | ✓ | ✓ ⁴ | ✓ ⁴ |
| 7 3/4 Envelope (Monarch) 98 x 191 mm (3.875 x 7.5 in.) | X | X | X | ✓ ³ | X | ✓ | X | X | X |
| 9 Envelope 98 x 226 mm (3.875 x 8.9 in.) | X | X | X | ✓ ³ | X | ✓ | X | X | X |
| Com 10 Envelope 105 x 241 mm (4.12 x 9.5 in.) | X | X | X | ✓ ³ | X | ✓ | X | X | X |
| DL Envelope 110 x 220 mm (4.33 x 8.66 in.) | X | X | X | ✓ ³ | X | ✓ | X | X | X |
| C5 Envelope 162 x 229 mm (6.38 x 9.01 in.) | X | X | X | ✓ ³ | X | ✓ | X | X | X |
| B5 Envelope 176 x 250 mm (6.93 x 9.84 in.) | X | X | X | ✓ ³ | X | ✓ | X | X | X |

¹ Paper size is supported if set to metric.

² Paper size is supported if set to US.

³ Source supports size without *size sensing*.

⁴ Source supports size with *size sensing*.

| Paper size and dimension | 150-sheet tray | 250-sheet tray | 520-sheet tray | MP Feeder | Manual Paper | Manual Envelope | Duplex | ADF | Scanner glass |
|---|----------------|----------------|----------------|----------------|--------------|-----------------|--------|-----|---------------|
| Other Envelope 86 x 165 mm to 216 x 356 mm (3.375 x 6.50 in . to 8.5 x 14 in.) | X | X | X | √ ³ | X | √ | X | X | X |
| ¹ Paper size is supported if set to metric. ² Paper size is supported if set to US. ³ Source supports size without <i>size sensing</i> . ⁴ Source supports size with <i>size sensing</i> . | | | | | | | | | |

Supported paper types and weights

The printer engine supports 60–120 g/m (16–74 lb) paper weights. The duplex unit supports 64–128 g/m (17–34 lb) paper weights.

Note: Labels, transparencies, envelopes, and card stock always print at reduced speed.

| Paper type | 150-sheet tray | 250-sheet tray | 520-sheet tray | MP Feeder | Manual Paper | Manual Envelope | Duplex | ADF | Flatbed |
|--|----------------|----------------|----------------|-----------|--------------|-----------------|--------|-----|---------|
| Paper <ul style="list-style-type: none"> • Plain • Bond • Glossy • Heavy Glossy • Colored • Custom Type [x] • Letterhead • Light • Heavy • Preprinted • Rough/ Cotton • Recycled | √ | √ | √ | √ | √ | X | √ | √ | √ |
| Card stock | √ | √ | √ | √ | √ | X | X | X | √ |
| Transparencies | √ | √ | √ | √ | √ | X | X | X | √ |
| Labels <ul style="list-style-type: none"> • Paper • Vinyl | √ | √ | √ | √ | √ | X | X | X | √ |
| Envelopes | X | X | X | √ | X | √ | X | X | √ |

Printing

Printing a document

Printing a document

- 1 From the printer control panel, set the paper type and size to match the paper loaded.
- 2 Send the print job:

For Windows users

- a With a document open, click **File > Print**.
- b Click **Properties, Preferences, Options, or Setup**.
- c Adjust the settings, if necessary.
- d Click **OK > Print**.

For Macintosh users

- a Customize the settings in the Page Setup dialog:
 - 1 With a document open, choose **File > Page Setup**.
 - 2 Choose a paper size or create a custom size to match the paper loaded.
 - 3 Click **OK**.
- b Customize the settings in the Print dialog:
 - 1 With a document open, choose **File > Print**.
If necessary, click the disclosure triangle to see more options.
 - 2 From the print options pop-up menus, adjust the settings, if necessary.
Note: To print on a specific paper type, adjust the paper type setting to match the paper loaded, or select the appropriate tray or feeder.
 - 3 Click **Print**.

Printing in black and white

From the home screen, navigate to:



> **Settings > Print Settings > Quality Menu > Print Mode > Black Only > Submit**

Adjusting toner darkness

- 1 Type the printer IP address into the address field of your Web browser.
If you do not know the IP address of the printer, you can:
 - View the IP address on the printer control panel in the TCP/IP section under the Networks/Ports menu.
 - Print a network setup page or the menu settings pages and locate the IP address in the TCP/IP section.
- 2 Click **Settings > Print Settings > Quality Menu > Toner Darkness**.

- 3 Adjust the toner darkness setting.
- 4 Click **Submit**.

Printing from a mobile device

For the list of supported mobile devices and to download a compatible mobile printing application, visit <http://lexmark.com/mobile>.

Note: Mobile printing applications may also be available from your mobile device manufacturer.

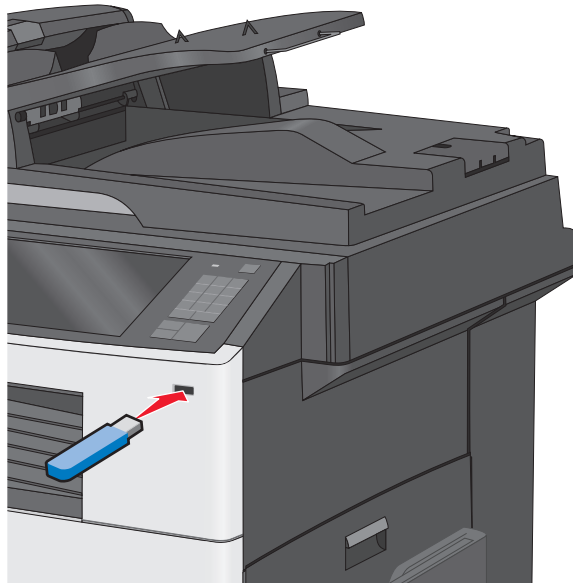
Printing from a flash drive

Printing from a flash drive

Notes:

- Before printing an encrypted PDF file, enter the file password from the printer control panel.
- You cannot print files for which you do not have printing permissions.

- 1 Insert a flash drive into the USB port.
The USB Drive home screen appears.



Notes:

- If you insert the flash drive when the printer requires attention, such as when a jam has occurred, then the printer ignores the flash drive.
- If you insert the flash drive while the printer is processing other print jobs, then **Busy** appears. After these print jobs are processed, you may need to view the held jobs list to print documents from the flash drive.



Warning—Potential Damage: Do not touch the USB cable, any network adapter, any connector, the memory device, or the printer in the areas shown while actively printing, reading, or writing from the memory device. A loss of data can occur.

- 2 From the printer control panel, touch **Print from USB**, and then select the document you want to print.
- 3 Touch the arrows to increase the number of copies to print, and then touch **Print**.

Notes:

- Do not remove the flash drive from the USB port until the document has finished printing.
- If you leave the flash drive in the printer after leaving the initial USB menu screen, then you can still print files from the flash drive as held jobs.

Supported flash drives and file types

| Flash drive | File type |
|--|--|
| <ul style="list-style-type: none"> • Lexar JumpDrive 2.0 Pro (256MB, 512MB, or 1GB sizes) • SanDisk Cruzer Mini (256MB, 512MB, or 1GB sizes) <p>Notes:</p> <ul style="list-style-type: none"> • Hi-Speed USB flash drives must support the Full-Speed standard. Devices supporting only USB low-speed capabilities are not supported. • USB flash drives must support the FAT (<i>File Allocation Tables</i>) system. Devices formatted with NTFS (<i>New Technology File System</i>) or any other file system are not supported. | <p>Documents:</p> <ul style="list-style-type: none"> • .pdf • .xps <p>Images:</p> <ul style="list-style-type: none"> • .dcm • .gif • .JPEG • .jpg • .bmp • .pcx • .TIFF • .tif • .png |

Printing on specialty media

Tips on using letterhead

- Use letterhead designed specifically for laser/LED printers.
- Print samples on the letterhead being considered for use before buying large quantities.
- Before loading letterhead, flex the sheets to prevent them from sticking together.
- Page orientation is important when printing on letterhead.

| Source | Print side | Paper orientation |
|--|--|--|
| Standard and optional trays (simplex printing) | Preprinted letterhead design is placed faceup. | When feeding short edge, the top edge of the sheet with the logo is placed at the right side of the tray. When feeding long-edge, the letter head should go to the rear of the printer. |
| Standard and optional trays (duplex printing) | Preprinted letterhead design is placed facedown. | The top edge of the sheet with the logo is placed at the right side of the tray. |
| Multipurpose feeder (simplex printing) | Preprinted letterhead design is placed facedown. | The top edge of the sheet with the logo should enter the multipurpose feeder first. |
| Multipurpose feeder (duplex printing) | Preprinted letterhead design is placed faceup. | The top edge of the sheet with the logo should enter the multipurpose feeder last. |
| Note: Check with the manufacturer or vendor to determine whether the chosen preprinted letterhead is acceptable for laser/LED printers. | | |

Tips on using transparencies

- Print samples on the transparencies being considered for use before buying large quantities.
- Feed transparencies from the standard tray or from the multipurpose feeder.
- From the Paper menu, set the Paper Type to Transparency.
- Use transparencies designed specifically for laser/LED printers. Transparencies must be able to withstand temperatures of 230°C (446°F) without melting, discoloring, offsetting, or releasing hazardous emissions.
- To prevent print quality problems, avoid getting fingerprints on the transparencies.
- Before loading transparencies, flex the stack to prevent sheets from sticking together.
- We recommend Lexmark transparencies. For ordering information, see the Lexmark Web site at www.lexmark.com.

Tips on using envelopes

Print samples on the envelopes being considered for use before buying large quantities.

- Use envelopes designed specifically for laser/LED printers. Check with the manufacturer or vendor to ensure that the envelopes can withstand temperatures up to 220°C (446°F) without sealing, wrinkling, curling excessively, or releasing hazardous emissions.
- For best performance, use envelopes made from 90-g/m² (24-lb bond) paper or 25% cotton. All-cotton envelopes must not exceed 70-g/m² (20-lb bond) weight.
- Use only new envelopes from undamaged packages.
- To optimize performance and minimize jams, do not use envelopes that:
 - Have excessive curl or twist.
 - Are stuck together or damaged in any way.
 - Have windows, holes, perforations, cutouts, or embossing.
 - Have metal clasps, string ties, or folding bars.
 - Have an interlocking design.
 - Have postage stamps attached.
 - Have any exposed adhesive when the flap is in the sealed or closed position.
 - Have bent corners.
 - Have rough, cockle, or laid finishes.
- Adjust the width guides to fit the width of the envelopes.

Note: A combination of high humidity (over 60%) and high printing temperature may wrinkle or seal envelopes.

Tips on using labels

Note: Use paper label sheets for occasional use only. Vinyl, pharmacy, and dual-sided labels are not supported.

For detailed information on label printing, characteristics, and design, see the *Card Stock & Label Guide* available on the Lexmark Web site at <http://support.lexmark.com>.

When printing on labels:

- Use labels designed specifically for laser/LED printers. Check with the manufacturer or vendor to verify that:
 - The labels can withstand temperatures up to 210°C (410°F) without sealing, excessive curling, wrinkling, or releasing hazardous emissions.
 - Note:** Labels can be printed at a higher fusing temperature up to 220°C (428°F) if Label Weight is set to Heavy. Select this setting using the Embedded Web Server, or from the printer control panel Paper menu.
 - Label adhesives, face sheet (printable stock), and topcoats can withstand up to 25 psi (172 kPa) pressure without delaminating, oozing around the edges, or releasing hazardous fumes.
- Do not use labels with slick backing material.
- Use full label sheets. Partial sheets may cause labels to peel off during printing, resulting in a jam. Partial sheets also contaminate the printer and the cartridge with adhesive, and could void the printer and cartridge warranties.
- Do not use labels with exposed adhesive.
- Do not print within 1 mm (0.04 in.) of the edge of the label, of the perforations, or between die-cuts of the label.
- Be sure adhesive backing does not reach to the sheet edge. Zone coating of the adhesive at least 1 mm (0.04 in.) away from edges is recommended. Adhesive material contaminates the printer and could void the warranty.

- If zone coating of the adhesive is not possible, remove a 1.6 mm (0.06 in.) strip on the leading and driver edge, and use a non-oozing adhesive.
- Portrait orientation works best, especially when printing bar codes.

Tips on using card stock

Card stock is heavy, single-ply specialty media. Many of its variable characteristics, such as moisture content, thickness, and texture, can significantly impact print quality. Print samples on the card stock being considered for use before buying large quantities.

- From the Paper menu, set the Paper Type to Card Stock.
- Select the appropriate Paper Texture setting.
- Be aware that preprinting, perforation, and creasing may significantly affect the print quality and cause jams or other paper handling problems.
- Check with the manufacturer or vendor to ensure the card stock can withstand temperatures up to 220°C (446°F) without releasing hazardous emissions.
- Do not use preprinted card stock manufactured with chemicals that may contaminate the printer. Preprinting introduces semi-liquid and volatile components into the printer.
- Use grain short card stock when possible.

Printing confidential and other held jobs

Storing print jobs in the printer

You can set the printer to store print jobs in the printer memory until you start the print job from the printer control panel.

All print jobs that can be initiated by the user at the printer are called *held jobs*.

Note: Confidential, Verify, Reserve, and Repeat print jobs may be deleted if the printer requires extra memory to process additional held jobs.

| Print job type | Description |
|----------------|---|
| Confidential | Confidential lets you hold print jobs in the computer until you enter the PIN from the control panel. Note: The PIN is set from the computer. It must be four digits, using the numbers 0–9. |
| Verify | Verify lets you print one copy of a print job while the printer holds the remaining copies. It allows you to examine if the first copy is satisfactory. The print job is automatically deleted from the printer memory once all copies are printed. |
| Reserve | Reserve allows the printer to store print jobs for printing at a later time. The print jobs are held until deleted from the Help Jobs menu. |
| Repeat | Repeat prints <i>and</i> stores print jobs in the printer memory for reprinting. |

Printing confidential and other held jobs

Note: Confidential and Verify print jobs are automatically deleted from memory after printing. Repeat and Reserve jobs are *held* in the printer until you delete them.

For Windows users


- 1 With a document open, click **File > Print**.
- 2 Click **Properties, Preferences, Options, or Setup**.
- 3 Click **Print and Hold**.
- 4 Select the print job type (Confidential, Repeat, Reserve, or Verify), and then assign a user name. For a confidential print job, also enter a four-digit PIN.
- 5 Click **OK** or **Print**.
- 6 From the printer home screen, release the print job.
 - For confidential print jobs, navigate to:
Held jobs > select your user name > **Confidential Jobs** > enter the PIN > **Print**
 - For other print jobs, navigate to:
Held jobs > select your user name > select the print job > specify the number of copies > **Print**

For Macintosh users

- 1 With a document open, choose **File > Print**.
If necessary, click the disclosure triangle to see more options.
- 2 From the print options or Copies & Pages pop-up menu, choose **Job Routing**.
- 3 Select the print job type (Confidential, Repeat, Reserve, or Verify), and then assign a user name. For a confidential print job, also enter a four-digit PIN.
- 4 Click **OK** or **Print**.
- 5 From the printer home screen, release the print job.
 - For confidential print jobs, navigate to:
Held jobs > select your user name > **Confidential Jobs** > enter the PIN > **Print**
 - For other print jobs, navigate to:
Held jobs > select your user name > select the print job > specify the number of copies > **Print**

Printing information pages

Printing a font sample list

- 1 From the home screen, navigate to:
 > **Reports > Print Fonts**
- 2 Touch **PCL Fonts** or **PostScript Fonts**.

Printing a directory list

A directory list shows the resources stored in a flash memory or on the printer hard disk.

From the home screen, navigate to:



> **Reports** > **Print Directory**

Using Max Speed and Max Yield

The Max Speed and Max Yield settings let you choose between a faster print speed or a higher toner yield. Max Yield is the factory default setting.

- **Max Speed**—Prints in color unless Black Only is selected in the driver. Prints in black only if the Black Only driver setting is selected.
- **Max Yield**—Switches from black to color based on the color content found on each page. Frequent color mode switching can result in slower printing if the content of pages is mixed.

Using the Embedded Web Server

- 1 Type the printer IP address into the address field of your Web browser.

If you do not know the IP address of the printer, you can:

- View the IP address on the printer control panel in the TCP/IP section under the Networks/Ports menu.
- Print a network setup page or the menu settings pages and locate the IP address in the TCP/IP section.

- 2 Click **Configuration** > **Print Settings** > **Setup Menu**.
- 3 From the Printer Usage list, select **Max Speed** or **Max Yield**.
- 4 Click **Submit**.

Using the printer control panel

- 1 Navigate to:



> **Settings** > **Print Settings** > **Setup Menu**

- 2 From the Printer Usage list, select **Max Speed** or **Max Yield**.
- 3 Touch **Submit**.

Canceling a print job

Canceling a print job from the printer control panel

- 1 From the printer control panel, touch **Cancel Job** or press on the keypad.
- 2 Touch the print job you want to cancel, and then touch **Delete Selected Jobs**.

Note: If you press on the keypad, then touch **Resume** to return to the home screen.

Canceling a print job from the computer

For Windows users


- 1 Open the printers folder.

In Windows 8

From the Search charm, type **run**, and then navigate to:

Apps list > **Run** > type **control printers** > **OK**


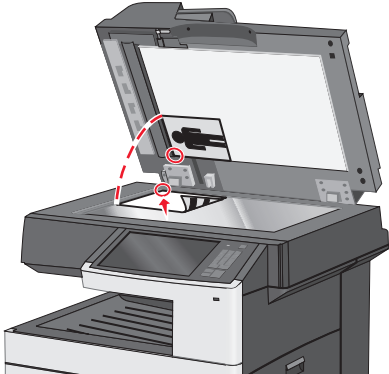
In Windows 7 or earlier

- a Click  or click **Start**, and then click **Run**.
 - b In the Start Search or Run dialog, type **control printers**.
 - c Press **Enter**, or click **OK**.
- 2 Double-click the printer icon.
 - 3 Select the print job you want to cancel.
 - 4 Click **Delete**.

For Macintosh users

- 1 From the Apple menu, navigate to either of the following:
 - **System Preferences > Print & Scan > select your printer > Open Print Queue**
 - **System Preferences > Print & Fax > select your printer > Open Print Queue**
- 2 From the printer window, select the print job you want to cancel, and then delete it.

Copying


| ADF | Scanner glass |
|---|--|
|  |  |
| <p>Use the ADF for multiple-page documents.</p> | <p>Use the scanner glass for single pages, small items (such as postcards or photos), transparencies, photo paper, or thin media (such as magazine clippings).</p> |

Making copies

Making a quick copy

- 1 Load an original document faceup, short edge first into the ADF or facedown on the scanner glass.

Note: Do not load postcards, photos, small items, transparencies, photo paper, or thin media (such as magazine clippings) into the ADF. Place these items on the scanner glass.
- 2 Adjust the paper guides when loading a document into the ADF.

Note: Make sure the size of the original document and the copy paper size are the same. Failure to set the proper size may result to a cropped image.
- 3 From the printer control panel, press  to start copying.

Copying using the ADF

- 1 Load an original document faceup, short edge first into the ADF.



Note: Do not load postcards, photos, small items, transparencies, photo paper, or thin media (such as magazine clippings) into the ADF. Place these items on the scanner glass.
- 2 Adjust the paper guides.
- 3 From the home screen, navigate to:

Copy > change the copy settings > **Copy It**

Copying using the scanner glass




- 1 Place an original document facedown on the scanner glass in the upper left corner.
- 2 From the home screen, navigate to:
Copy > change the copy settings > **Copy It**
- 3 If you have more pages to scan, then place the next document on the scanner glass, and then touch **Scan the Next Page**.
- 4 Touch **Finish the Job** to return to the home screen.

Copying film photos

- 1 Place a photo facedown on the upper left corner of the scanner glass.
- 2 From the home screen, navigate to:
Copy > **Content** > **Photo** >  > **Photo/Film** >  > **Copy It** > **Scan the Next Page** or **Finish the Job**

Copying on specialty media

Copying on transparencies

- 1 Load an original document faceup, short edge first into the ADF or facedown on the scanner glass.
Note: Do not load postcards, photos, small items, transparencies, photo paper, or thin media (such as magazine clippings) into the ADF. Place these items on the scanner glass.
- 2 If you are loading a document into the ADF, then adjust the paper guides.
- 3 From the home screen, navigate to:
Copy > **Copy from** > size of the original document > 
- 4 Touch **Copy to**, and then select the tray that contains transparencies, or touch **Manual Feeder Size**.
- 5 Load transparencies in the multipurpose feeder.
- 6 From the home screen, navigate to:
 > select the desired size of the transparencies > **Manual Feeder Type** >  > **Copy It**



Copying on letterhead

- 1 Load an original document faceup, short edge first into the ADF or facedown on the scanner glass.
Note: Do not load postcards, photos, small items, transparencies, photo paper, or thin media (such as magazine clippings) into the ADF. Place these items on the scanner glass.
- 2 If you are loading a document into the ADF, then adjust the paper guides.
- 3 From the home screen, navigate to:
Copy > **Copy from** > size of the original document > **Copy to** > **Manual Feeder**

- 4 Place the letterhead faceup, top edge first in the multipurpose feeder.
- 5 Select the size of the letterhead.
- 6 Navigate to:
Continue > Letterhead > Continue > Copy It

Customizing copy settings

Copying to a different size

- 1 Load an original document faceup, short edge first into the ADF or facedown on the scanner glass.
Note: Do not load postcards, photos, small items, transparencies, photo paper, or thin media (such as magazine clippings) into the ADF. Place these items on the scanner glass.
- 2 If you are loading a document into the ADF, then adjust the paper guides.
- 3 On the home screen, touch **Copy**.
- 4 Touch **Copy from** > select the size of the original document > .
- 5 Touch **Copy to** > select the size of the copy > .
- Note:** The printer will scale the size automatically.
- 6 Touch **Copy It**.

Making copies using paper from a selected tray

- 1 Load an original document faceup, short edge first into the ADF or facedown on the scanner glass.
Note: Do not load postcards, photos, small items, transparencies, photo paper, or thin media (such as magazine clippings) into the ADF. Place these items on the scanner glass.
- 2 If you are loading a document into the ADF, then adjust the paper guides.
- 3 From the home screen, navigate to:
Copy > Copy from > size of the original document > Copy to
- 4 Touch **Manual Feeder** or select the tray that contains the paper type you want to use.
Note: If you choose Manual Feeder, then you will also need to select the paper size and type.
- 5 Touch **Copy It**.

Copying different paper sizes

Use the ADF to copy original documents with different paper sizes. Depending on the paper sizes loaded and the “Copy to” and “Copy from” settings, each copy is either printed on mixed paper sizes (Example 1) or scaled to fit a single paper size (Example 2).



Example 1: Copying on mixed paper sizes

- 1 Load an original document faceup, short edge first into the ADF or facedown on the scanner glass.

Note: Do not load postcards, photos, small items, transparencies, photo paper, or thin media (such as magazine clippings) into the ADF. Place these items on the scanner glass.

- 2 If you are loading a document into the ADF, then adjust the paper guides.

- 3 From the home screen, navigate to:

Copy > **Copy from** > **Mixed Sizes** >  > **Copy to** > **Auto Size Match** >  > **Copy It**

The scanner identifies the different paper sizes as they are scanned. Copies are printed on mixed paper sizes corresponding to the paper sizes of the original document.

Example 2: Copying on a single paper size

- 1 Load an original document faceup, short edge first into the ADF or facedown on the scanner glass.

Note: Do not load postcards, photos, small items, transparencies, photo paper, or thin media (such as magazine clippings) into the ADF. Place these items on the scanner glass.

- 2 If you are loading a document into the ADF, then adjust the paper guides.

- 3 From the home screen, navigate to:

Copy > **Copy from** > **Mixed Sizes** >  > **Copy to** > **Letter** >  > **Copy It**

The scanner identifies the different paper sizes as they are scanned, and then scales the mixed paper sizes to fit on the paper size selected.

Copying on both sides of the paper (duplexing)

- 1 Load an original document faceup, short edge first into the ADF or facedown on the scanner glass.


Note: Do not load postcards, photos, small items, transparencies, photo paper, or thin media (such as magazine clippings) into the ADF. Place these items on the scanner glass.

- 2 If you are loading a document into the ADF, then adjust the paper guides.

- 3 On the home screen, touch **Copy**.

- 4 From the Sides (Duplex) area, touch the button for your preferred duplexing method.

The first number represents sides of the original documents; the second number represents sides of the copy. For example, select 1-sided to 2-sided if you have 1-sided original documents and you want 2-sided copies.

- 5 Touch , and then **Copy It**.


Reducing or enlarging copies

Copies can be reduced to 25% of the original document size or enlarged to 400% of the original document size. The factory default setting for Scale is Auto. If you leave Scale set to Auto, the content of your original document will be scaled to fit the size of the paper onto which you are copying.

To reduce or enlarge a copy:

- 1 Load an original document faceup, short edge first into the ADF or facedown on the scanner glass.
Note: Do not load postcards, photos, small items, transparencies, photo paper, or thin media (such as magazine clippings) into the ADF. Place these items on the scanner glass.
- 2 If you are loading a document into the ADF, then adjust the paper guides.
- 3 On the home screen, touch **Copy**.
- 4 From the Scale area, touch the arrows to enlarge or reduce your copies.
Touching “Copy to” or “Copy from” after setting Scale manually changes the scale value back to Auto.
- 5 Touch **Copy It**.

Adjusting copy quality

- 1 Load an original document faceup, short edge first into the ADF or facedown on the scanner glass.
Note: Do not load postcards, photos, small items, transparencies, photo paper, or thin media (such as magazine clippings) into the ADF. Place these items on the scanner glass.
- 2 If you are loading a document into the ADF, then adjust the paper guides.
- 3 From the home screen, navigate to:
Copy > Content
- 4 Touch the button that best represents the content type of the document you are copying:
 - **Text**—Use when the content of the original document is mostly text or line art.
 - **Graphic**—Use when the original document is mostly business-type graphics such as pie charts, bar charts, and animations.
 - **Text/Photo**—Use when the original document is a mixture of text, graphics, and photos.
 - **Photo**—Use when the original document is mostly a photo or an image.
- 5 Touch .
- 6 Touch the button that best represents the content source of the document you are copying:
 - **Color Laser**—Use when the original document was printed using a color laser printer.
 - **Black/White**—Use when the original document was printed using a black/white laser printer.
 - **Inkjet**—Use when the original document was printed using an inkjet printer.
 - **Photo/Film**—Use when the original document is a photo from film.
 - **Magazine**—Use when the original document is from a magazine.
 - **Newspaper**—Use when the original document is from a newspaper.

- **Press**—Use when the original document was printed using a printing press.
- **Other**—Use when the original document was printed using an alternate or unknown printer.

7 Touch  > **Copy It**.

Collating copies

If you print multiple copies of a document, then you can choose to print each copy as a set (collated) or to print the copies as groups of pages (not collated).

Collated



Not collated



By default, Collate is set to On. If you do not want to collate your copies, then change the setting to Off:

- 1 Load an original document faceup, short edge first into the ADF or facedown on the scanner glass.
Note: Do not load postcards, photos, small items, transparencies, photo paper, or thin media (such as magazine clippings) into the ADF. Place these items on the scanner glass.
- 2 If you are loading a document into the ADF, then adjust the paper guides.
- 3 From the home screen, navigate to:

Copy > enter the number of copies > **Collate** > **Off** >  > **Copy It**

Placing separator sheets between copies

- 1 Load an original document faceup, short edge first into the ADF or facedown on the scanner glass.
Note: Do not load postcards, photos, small items, transparencies, photo paper, or thin media (such as magazine clippings) into the ADF. Place these items on the scanner glass.
- 2 If you are loading a document into the ADF, then adjust the paper guides.
- 3 From the home screen, navigate to:
Copy > **Advanced Options** > **Separator Sheets**
Note: Collate must be set to On for the separator sheets to be placed between copies. If Collate is set to Off, then the separator sheets are added to the end of the print job.
- 4 Select one of the following:
 - **Between Copies**
 - **Between Jobs**
 - **Between Pages**
 - **Off**

5 Touch , and then **Copy It**.

Copying multiple pages onto a single sheet

In order to save paper, you can copy either two or four consecutive pages of a multiple-page document onto a single sheet of paper.

Notes:

- The Paper Size must be set to Letter, Legal, A4, or JIS B5.
- The Copy Size must be set to 100%.

1 Load an original document faceup, short edge first into the ADF or facedown on the scanner glass.

Note: Do not load postcards, photos, small items, transparencies, photo paper, or thin media (such as magazine clippings) into the ADF. Place these items on the scanner glass.

2 If you are loading a document into the ADF, then adjust the paper guides.

3 From the home screen, navigate to:

Copy > Advanced Options > Paper Saver > select desired output >  > Copy It

Creating a custom copy job (job build)

The custom copy job or job build is used to combine one or more sets of original documents into a single copy job. Each set may be scanned using different job parameters. When a copy job is submitted and Custom Job is enabled, the scanner scans the first set of original documents using the supplied parameters, and then it scans the next set with the same or different parameters.

The definition of a set depends on the scan source:

- If you scan a document on the scanner glass, then a set consists of one page.
- If you scan multiple pages using the ADF, then a set consists of all scanned pages until the ADF becomes empty.
- If you scan one page using the ADF, then a set consists of one page.

For example:

1 Load an original document faceup, short edge first into the ADF or facedown on the scanner glass.

Note: Do not load postcards, photos, small items, transparencies, photo paper, or thin media (such as magazine clippings) into the ADF. Place these items on the scanner glass.

2 If you are loading a document into the ADF, then adjust the paper guides.

3 From the home screen, navigate to:

Copy > Options > Custom Job > On > Done > Copy It

When the end of a set is reached, the scan screen appears.


4 Load the next document faceup, short edge first into the ADF or facedown on the scanner glass, and then touch **Scan the Automatic Document Feeder** or **Scan the flatbed**.

Note: If required, change the job settings.

5 If you have another document to scan, then repeat the previous step. Otherwise, touch **Finish the job**.


Placing information on copies

Placing the date and time at the top of each page

- 1 Load an original document faceup, short edge first into the ADF or facedown on the scanner glass.
Note: Do not load postcards, photos, small items, transparencies, photo paper, or thin media (such as magazine clippings) into the ADF. Place these items on the scanner glass.
- 2 If you are loading a document into the ADF, then adjust the paper guides.
- 3 From the home screen, navigate to:
Copy > Advanced Options > Header/Footer
- 4 Pick an area of the page where you want to place the date and time.
- 5 Touch **Yes** or **No** >  > **Copy It**.

Placing an overlay message on each page

An overlay message can be placed on each page. The message choices are Urgent, Confidential, Copy, Custom or Draft. To place a message on the copies:

- 1 Load an original document faceup, short edge first into the ADF or facedown on the scanner glass.
Note: Do not load postcards, photos, small items, transparencies, photo paper, or thin media (such as magazine clippings) into the ADF. Place these items on the scanner glass.
- 2 If you are loading a document into the ADF, then adjust the paper guides.
- 3 From the home screen, navigate to:
Copy > Advanced Options > Overlay > select overlay message > .
- 4 Touch **Copy It**.

Canceling a copy job

Canceling a copy job while the document is in the ADF

When the ADF begins processing a document, the scanning screen appears. To cancel the copy job, touch **Cancel Job** on the touch screen.


A “Canceling scan job” screen appears. The ADF clears all pages in the ADF and cancels the job.


Canceling a copy job while copying pages using the scanner glass

Touch **Cancel Job** on the touch screen.

A “Canceling scan job” screen appears. Once the job is canceled, the copy screen appears.

Canceling a copy job while pages are being printed

- 1 From the printer control panel, touch **Cancel Job** or press  on the keypad.
- 2 Touch the job you want to cancel, and then touch **Delete Selected Jobs**.

Note: If you press  on the keypad, then touch **Resume** to return to the home screen.

Understanding the copy screens and options

Copy from

This option opens a screen where you can enter the paper size of the original document.

- Touch a paper size that matches the original document.
- Touch **Mixed Sizes** to copy an original document that contains mixed paper sizes with the same width.
- Touch **Auto Size Sense** to allow the scanner to automatically determine the size of the original document.

Copy to

This option opens a screen where you can enter the paper size and type on which your copies will be printed.

- Touch the paper size and type that matches the paper loaded.
- If the settings for “Copy from” and “Copy to” are different, then the printer automatically adjusts the Scale setting to accommodate the difference.
- If the paper type or size that you want to copy onto is not loaded in one of the trays, then touch **Manual Feeder**, and manually load the paper in the multipurpose feeder.
- When “Copy to” is set to Auto Size Match, each copy matches the paper size of the original document. If a matching paper size is not in one of the trays, then **Paper size not found** appears and prompts to load a paper in a tray or multipurpose feeder.

Copies

This option allows you to set the number of copies to be printed.

Scale

This option creates an image from your copy that is proportionally scaled anywhere between 25% and 400%. Scale can also be set for you automatically.

- When you want to copy from one size of paper to another, such as from legal-size to letter-size paper, setting the “Copy from” and “Copy to” paper sizes automatically changes the scale to keep all the original document information on your copy.
- Touch the left arrow to decrease the value by 1%; touch the right arrow to increase the value by 1%.
- Hold your finger on an arrow to make a continuous increment change.
- Hold your finger on an arrow for two seconds to cause the pace of the change to accelerate.

Darkness

This option adjusts how light or dark your copies will turn out in relation to the original document.

Sides (Duplex)

Use this option to select duplex settings. You can print copies on one or two sides, make two-sided copies (duplex) of two-sided original documents, make two-sided copies from one-sided original documents, or make one-sided copies (simplex) from two-sided original documents.

Collate

This option keeps the pages of a print job stacked in sequence when printing multiple copies of the document. The factory default setting for Collate is on; the output pages of your copies will be ordered (1,2,3) (1,2,3) (1,2,3). If you want all the copies of each page to remain together, turn Collate off, and your copies will be ordered (1,1,1) (2,2,2) (3,3,3).

Content

This option lets you set the original document type and source.

Choose content type from Text, Text/Photo, Photo, or Graphics.

- **Text**—Use when the content of the original document is mostly text or line art.
- **Graphics**—Use when the original document is mostly business-type graphics such as pie charts, bar charts, and animations.
- **Text/Photo**—Use when the original document is a mixture of text, graphics, and photos.
- **Photo**—Use when the original document is mostly a photo or an image.

Choose content source from Color Laser, Black/White Laser, Inkjet, Photo/Film, Magazine, Newspaper, Press, or Other.

- **Color Laser**—Use when the original document was printed using a color laser printer.
- **Black/White Laser**—Use when the original document was printed using a mono laser printer.
- **Inkjet**—Use when the original document was printed using an inkjet printer.
- **Photo/Film**—Use when the original document is a photo from film.
- **Magazine**—Use when the original document is from a magazine.
- **Newspaper**—Use when the original document is from a newspaper.
- **Press**—Use when the original document was printed using a printing press.
- **Other**—Use when the original document was printed using an alternate or unknown printer.

Color

This option enables or disables color for the scanned image.

Advanced Options

Touching the Advanced Options button opens a screen where you can change the following settings:

- **ADF Skew Fix**—Use to correct slight skew in the scanned image.
- **Advanced Duplex**—Use to specify the document orientation, whether documents are one-sided or two-sided, and how documents are bound.

Note: Some Advanced Duplex options are available only on select printers.

- **Advanced Imaging**—Use to change or adjust Auto Center, Background Removal, Color Balance, Color Dropout, Contrast, Mirror Image, Negative Image, Scan Edge to Edge, Shadow Detail, Sharpness, and Temperature settings before you copy the document.
- **Create Booklet**—Use to create a booklet. You can choose between 1-sided and 2-sided booklets.

Note: This option appears only when a print duplexer and printer hard disk are installed.

- **Cover Page Setup**—Use to set copy cover page and booklet cover page.
- **Custom Job**—Use to combine multiple scanning jobs into a single job.
- **Edge Erase**—Use to eliminate smudges or information around the edges of a document. You can choose to eliminate an equal area around all four sides of the paper, or pick a particular edge. Edge Erase will erase whatever is within the area selected, leaving nothing on that portion of the scan.
- **Header/Footer**—Use to turn on Date/Time, Page number, Bates number, or Custom text, and prints them in the specified header or footer location.
- **Margin Shift**—Use to increase the size of the margin of an specified distance by shifting the scanned image. This can be useful in providing space to bind or hole-punch copies. Use the increase or decrease arrows to set how much of a margin you want. If the additional margin is too large, then the copy will be cropped.
- **Overlay**—Use to create a watermark (or message) that overlays the content of your copy. You can choose between Urgent, Confidential, Copy, and Draft, or you can enter a custom message in the "Enter custom text" field. The word you pick will appear, faintly, in large print across each page.


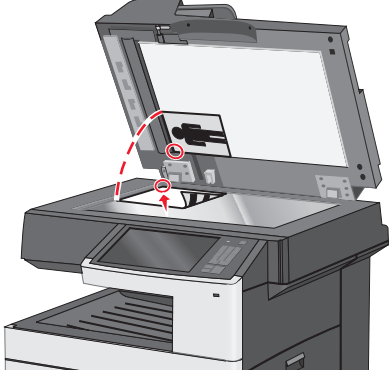
Note: A custom overlay can also be created by your system support person. When a custom overlay is created, a button with an icon of that overlay will be available.

- **Paper Saver**—Use to print two or more sheets of an original document together on the same page. Paper Saver is also called N-up printing. The N stands for Number. For example, 2-up would print two pages of your document on a single page, and 4-up would print four pages of your document on a single page. Touching Print Page Borders adds or removes the outline border surrounding the original document pages on the output page.
- **Separator Sheets**—Use to place a blank piece of paper between copies, pages, or print jobs. The separator sheets can be drawn from a tray that contains a type or color of paper that is different from the paper your copies are printed on.

Save As Shortcut

This option allows the current settings to be saved as a shortcut by assigning a number.

E-mailing

| ADF | Scanner glass |
|---|--|
|  |  |
| <p>Use the ADF for multiple-page documents.</p> | <p>Use the scanner glass for single pages, small items (such as postcards or photos), transparencies, photo paper, or thin media (such as magazine clippings).</p> |

You can use the printer to e-mail scanned documents to one or more recipients. There are three ways to send an e-mail from the printer. You can type the e-mail address, use a shortcut number, or use the address book.

Getting ready to e-mail

Setting up the e-mail function

- 1 Type the printer IP address into the address field of your Web browser.

If you do not know the IP address of the printer, you can:

- View the IP address on the printer control panel in the TCP/IP section under the Networks/Ports menu.
- Print a network setup page or the menu settings pages and locate the IP address in the TCP/IP section.

- 2 Click **Settings**.
- 3 Under Default Settings, click **E-mail/FTP Settings**.
- 4 Click **E-mail Settings > Setup E-mail Server**.
- 5 Fill in the fields with the appropriate information.
- 6 Click **Submit**.

Configuring e-mail settings

- 1 Type the printer IP address into the address field of your Web browser.

If you do not know the IP address of the printer, you can:

- View the IP address on the printer control panel in the TCP/IP section under the Networks/Ports menu.
- Print a network setup page or the menu settings pages and locate the IP address in the TCP/IP section.

2 Click **Settings > E-mail/FTP Settings > E-mail Settings**.

3 Fill in the fields with the appropriate information.

4 Click **Submit**.

Creating an e-mail shortcut

Creating an e-mail shortcut using the Embedded Web Server

1 Type the printer IP address into the address field of your Web browser.

If you do not know the IP address of the printer, you can:

- View the IP address on the printer control panel in the TCP/IP section under the Networks/Ports menu.
- Print a network setup page or the menu settings pages and locate the IP address in the TCP/IP section.

2 Click **Settings**.

3 Under Other Settings, click **Manage Shortcuts > E-mail Shortcut Setup**.

4 Type a unique name for the recipient, and then enter the e-mail address.

Note: If you are entering multiple addresses, then separate each address with a comma (,).

5 Select the scan settings (Format, Content, Color, and Resolution).

6 Enter a shortcut number, and then click **Add**.

If you enter a number that is already in use, then you are prompted to select another number.

Creating an e-mail shortcut using the touch screen

1 From the home screen, navigate to:

E-mail > Recipient > type an e-mail address

To create a group of recipients, touch **Next address**, and then type the next recipient's e-mail address.

2 Touch .


3 Type a unique name for the shortcut, and then touch **Done**.

4 Verify that the shortcut name and number are correct, and then touch **OK**.



If the name or number is incorrect, then touch **Cancel**, and then reenter the information.

E-mailing a document


Sending an e-mail using the touch screen

- 1 Load an original document faceup, short edge first into the ADF or facedown on the scanner glass.
Note: Do not load postcards, photos, small items, transparencies, photo paper, or thin media (such as magazine clippings) into the ADF. Place these items on the scanner glass.
- 2 If you are loading a document into the ADF, then adjust the paper guides.
Note: Make sure the size of the original document and the copy paper size are the same. Failure to set the proper size may result to a cropped image.
- 3 From the home screen, navigate to:
E-mail > Recipient
- 4 Enter the e-mail address, or press  and then enter the shortcut number.
To enter additional recipients, touch **Next Address**, and then enter the address or shortcut number you want to add.
Note: You can also enter an e-mail address using the address book.
- 5 Touch **Done > Send It**.

Sending an e-mail using a shortcut number

- 1 Load an original document faceup, short edge first into the ADF or facedown on the scanner glass.
Note: Do not load postcards, photos, small items, transparencies, photo paper, or thin media (such as magazine clippings) into the ADF. Place these items on the scanner glass.
- 2 If you are loading a document into the ADF, then adjust the paper guides.
- 3 Press , enter the shortcut number using the keypad, and then touch .
To enter additional recipients, touch **Next address**, and then enter the address or shortcut number you want to add.
- 4 Touch **Send It**.

Sending an e-mail using the address book

- 1 Load an original document faceup, short edge first into the ADF or facedown on the scanner glass.
Note: Do not load postcards, photos, small items, transparencies, photo paper, or thin media (such as magazine clippings) into the ADF. Place these items on the scanner glass.
- 2 If you are loading a document into the ADF, then adjust the paper guides.
- 3 From the home screen, navigate to:
E-mail > Recipient(s) >  > enter the name of recipient > Browse shortcuts

- 4 Touch the name of the recipients.

To enter additional recipients, touch **Next address**, and then enter the address or shortcut number you want to add, or search the address book.

- 5 Touch **Done**.

Customizing e-mail settings

Adding e-mail subject and message information

- 1 Load an original document faceup, short edge first into the ADF or facedown on the scanner glass.
Note: Do not load postcards, photos, small items, transparencies, photo paper, or thin media (such as magazine clippings) into the ADF. Place these items on the scanner glass.
- 2 If you are loading a document into the ADF, then adjust the paper guides.
- 3 From the home screen, touch **E-mail**.
- 4 Type an e-mail address.
- 5 Touch **Options > Subject**.
- 6 Type the e-mail subject.
- 7 Touch **Done > Message**.
- 8 Type an e-mail message.
- 9 Touch **Done > E-mail It**.

Changing the output file type

- 1 Load an original document faceup, short edge first into the ADF or facedown on the scanner glass.
Note: Do not load postcards, photos, small items, transparencies, photo paper, or thin media (such as magazine clippings) into the ADF. Place these items on the scanner glass.
- 2 If you are loading a document into the ADF, then adjust the paper guides.
- 3 From the home screen, navigate to:
E-mail > Recipient > type an e-mail address > Send as
- 4 Touch the button that represents the file type you want to send.
 - **PDF**—Use this to create a single file with multiple pages, viewable with Adobe Reader. Adobe Reader is provided free by Adobe at www.adobe.com.
 - **Secure PDF**—Use this to create an encrypted PDF file that protects the file contents from unauthorized access.
 - **TIFF**—Use this to create multiple files or a single file. If Multi-page TIFF is turned off in the Settings menu of the Embedded Web Server, then TIFF saves one page in each file. The file size is usually larger than an equivalent JPEG.

- **JPEG**—Use this to create and attach a separate file for each page of your original document, viewable by most Web browsers and graphics programs.
- **XPS**—Use this to create a single XML Paper Specification (XPS) file with multiple pages, viewable using an Internet Explorer-hosted viewer and the .NET Framework, or by downloading a third-party standalone viewer.

5 Touch **E-mail It**.

Note: If you selected Secure PDF, you will be prompted to enter your password twice.

Canceling an e-mail

- When using the ADF, touch **Cancel Job** while **Scanning** appears.
- When using the scanner glass, touch **Cancel Job** while **Scanning** appears, or while **Scan the Next Page / Finish the Job** appears.

Understanding e-mail options

Recipients

This option lets you enter the destination of your e-mail. You may enter multiple e-mail addresses.

Subject

This option lets you enter a subject line for your e-mail.

Message

This option lets you enter a message that will be sent with your scanned attachment.

File Name

This option lets you customize the attachment file name.

Original Size

This option opens a screen where you can choose the size of the documents you are going to e-mail.

- Touch a paper size button to select that size as the Original Size setting. The e-mail screen appears with the new setting displayed.
- When “Original Size” is set to Mixed Sizes, you can scan an original document that contains mixed paper sizes.
- When “Original Size” is set to Auto Size Sense, the scanner automatically determines the size of the original document.

Resolution

Adjusts the output quality of your e-mail. Increasing the image resolution increases the e-mail file size and the time needed to scan your original document. Image resolution can be decreased to reduce the e-mail file size.

Color

This option sets the output color for the scanned image. Touch to enable or disable color.

Content

This option lets you specify the content type and source of the original document.

Choose content type from Text, Text/Photo, Photo, or Graphics.

- **Text**—Use when the content of the original document is mostly text or line art.
- **Graphics**—Use when the original document is mostly business-type graphics such as pie charts, bar charts, and animations.
- **Text/Photo**—Use when the original document is a mixture of text, graphics, and photos.
- **Photo**—Use when the original document is mostly a photo or an image.

Choose content source from Color Laser, Black/White Laser, Inkjet, Photo/Film, Magazine, Newspaper, Press, or Other.

- **Color Laser**—Use when the original document was printed using a color laser printer.
- **Black/White Laser**—Use when the original document was printed using a mono laser printer.
- **Inkjet**—Use when the original document was printed using an inkjet printer.
- **Photo/Film**—Use when the original document is a photo from film.
- **Magazine**—Use when the original document is from a magazine.
- **Newspaper**—Use when the original document is from a newspaper.
- **Press**—Use when the original document was printed using a printing press.
- **Other**—Use when the original document was printed using an alternate or unknown printer.

Darkness

This option adjusts how light or dark your scanned documents will turn out in relation to the original document.

Send As

This option sets the output (PDF, TIFF, JPEG or XPS) for the scanned image.

- **PDF**—Creates a single file with multiple pages, viewable with Adobe Reader. Adobe Reader is provided free by Adobe at www.adobe.com.
- **Secure PDF**—Creates an encrypted PDF file that protects the file contents from unauthorized access
- **TIFF**—Creates multiple files or a single file. If Multi-page TIFF is turned off in the Settings menu of the Embedded Web Server, then TIFF saves one page in each file. The file size is usually larger than an equivalent JPEG.
- **JPEG**—Creates and attaches a separate file for each page of your original document, viewable by most Web browsers and graphics programs
- **XPS**—Creates a single XPS file with multiple pages, viewable using an Internet Explorer-hosted viewer and the .NET Framework, or by downloading a third party standalone viewer

Page Setup

This option lets you change the Sides (Duplex), Orientation, and Binding.

- **Sides (Duplex)**— Specifies if the original document is simplex (printed on one page) or duplex (printed on both sides). This also identifies what needs to be scanned for inclusion in the e-mail.
- **Orientation**— Specifies the orientation of the original document, and then changes **Sides** and **Binding** to match the orientation.
- **Binding**— Specifies if the original document is bound on the long-edge or short-edge side.

Scan Preview

This option displays the first page of the image before it is included in the e-mail. When the first page is scanned, the scanning is paused and a preview image appears.

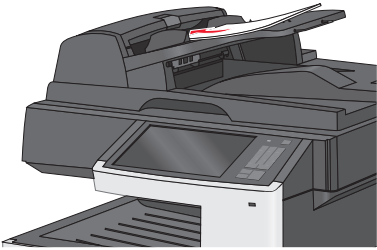
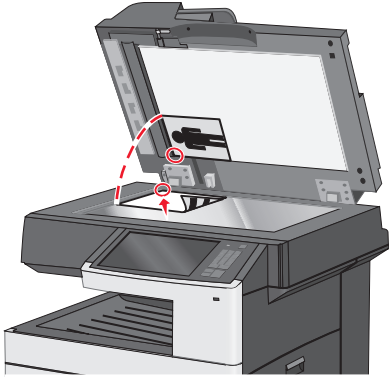
Advanced Options

Touching this button opens a screen where you can change ADF Skew Fix, Advanced Imaging, Custom Job, Edge Erase, and Transmission Log settings.

- **ADF Skew Fix**—This lets you correct slight skew in the scanned image.
- **Advanced Imaging**—This lets you adjust the Background Removal, Color Balance, Color Dropout, Contrast, JPEG Quality, Mirror Image, Negative Image, Scan Edge to Edge, Shadow Detail, Sharpness, and Temperature settings before you e-mail the document.
- **Custom Job**—This lets you combine multiple scanning jobs into a single job
- **Edge Erase**—This lets you eliminate smudges or information around the edges of a document. You can choose to eliminate an equal area around all four sides of the paper, or pick a particular edge. Edge Erase will erase whatever is within the area selected, leaving nothing on that portion of the scan.
- **Transmission Log**—This lets you print the transmission log or transmission error log

Faxing

Note: Fax capabilities may not be available on all printer models.

| ADF | Scanner glass |
|---|--|
|  |  |
| <p>Use the ADF for multiple-page documents.</p> | <p>Use the scanner glass for single pages, small items (such as postcards or photos), transparencies, photo paper, or thin media (such as magazine clippings).</p> |

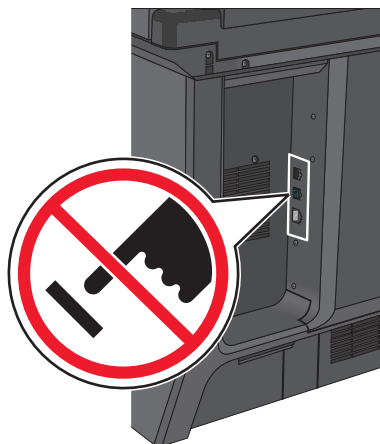
Getting the printer ready to fax

The following connection methods may not be applicable in all countries or regions.

Note: During the initial printer setup, deselect Fax and any other function you plan to set up later, and then touch **Continue**. The indicator light may blink red if the fax function is enabled and not fully set up.

CAUTION—SHOCK HAZARD: Do not use the fax feature during a lightning storm. Do not set up this product or make any electrical or cabling connections, such as the fax feature, power cord, or telephone, during a lightning storm.

Warning—Potential Damage: Do not touch cables or the printer in the area shown while actively sending or receiving a fax.



Initial fax setup

Many countries and regions require outgoing faxes to contain the following information in a margin at the top or bottom of each transmitted page, or on the first page of the transmission: station name (identification of the business, other

Choosing a fax connection


Notes:

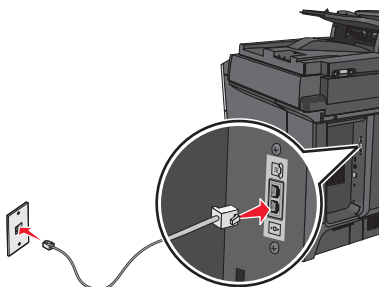
- The printer is an analog device that works best when directly connected to the telephone wall outlet. Other devices (such as a telephone or answering machine) can be successfully attached to pass through the printer, as described in the setup steps.
- If you want a digital connection such as ISDN, DSL, or ADSL, then a third-party device (such as a DSL filter) is required. Contact your DSL provider for a DSL filter. The DSL filter removes the digital signal on the telephone line that can interfere with the ability of the printer to fax properly.
- You *do not* need to attach the printer to a computer, but you *do* need to connect it to an analog telephone line to send and receive faxes.

| Equipment and service options | Fax connection setup |
|--|--|
| Connect directly to the telephone line. | See "Connecting to an analog telephone line" on page 124. |
| Connect to a Digital Subscriber Line (DSL or ADSL) service. | See "Connecting to a DSL service" on page 125. |
| Connect to a Private Branch eXchange (PBX) or Integrated Services Digital Network (ISDN) system. | See "Connecting to a PBX or ISDN system" on page 125. |
| Use a Distinctive Ring service. | See "Connecting to a distinctive ring service" on page 126. |
| Connect through an adapter used in your area. | See "Connecting to an adapter for your country or region" on page 126. |

Connecting to an analog telephone line


If your telecommunications equipment uses a US-style (RJ11) telephone line, then follow these steps to connect the equipment:

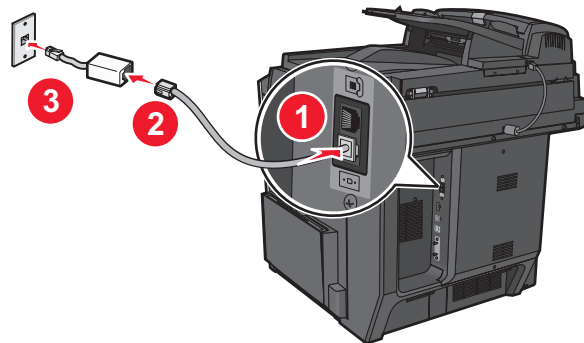
- 1 Connect one end of the telephone cable that came with the printer to the printer LINE port .
- 2 Connect the other end of the telephone cable to an active analog telephone wall jack.



Connecting to a DSL service


If you subscribe to a DSL service, then contact the DSL provider to obtain a DSL filter and telephone cord, and then follow these steps to connect the equipment:

- 1 Connect one end of the telephone cable that came with the printer to the printer LINE port .
- 2 Connect the other end of the telephone cable to the DSL filter.
Note: Your DSL filter may look different than the one in the illustration.
- 3 Connect the DSL filter cable to an active telephone wall jack.



Connecting to a PBX or ISDN system

If you use a PBX or ISDN converter or terminal adapter, then follow these steps to connect the equipment:


- 1 Connect one end of the telephone cable that came with the printer to the printer LINE port .
- 2 Connect the other end of the telephone cable to the port designated for fax and telephone use.

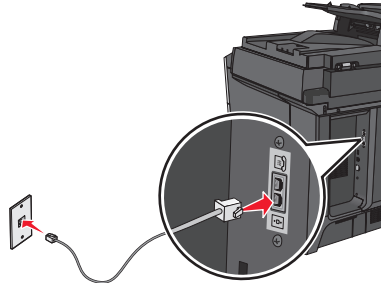
Notes:

- Make sure the terminal adapter is set to the correct switch type for your region.
- Depending on the ISDN port assignment, you may have to connect to a specific port.
- When using a PBX system, make sure the call waiting tone is off.
- When using a PBX system, dial the outside line prefix before dialing the fax number.
- For more information on using the fax with a PBX system, see the documentation that came with your PBX system.

Connecting to a distinctive ring service

A distinctive ring service may be available from your telephone service provider. This service allows you to have multiple telephone numbers on one telephone line, with each telephone number having a different ring pattern. This may be useful for distinguishing between fax and voice calls. If you subscribe to a distinctive ring service, then follow these steps to connect the equipment:

- 1 Connect one end of the telephone cable that came with the printer to the printer LINE port .
- 2 Connect the other end of the telephone cable to an active analog telephone wall jack.



- 3 Change the Distinctive Rings setting to match the setting you want for the printer to answer:

Note: The factory default setting for distinctive rings is **On**. This allows the printer to answer single, double, and triple ring patterns.

- a From the home screen, navigate to:



> **Settings** > **Fax Settings** > **Analog Fax Settings** > **Distinctive Rings**

- b Select the pattern setting you want to change, and then touch **Submit**.


Connecting to an adapter for your country or region

The following countries or regions may require a special adapter to connect the telephone cable to the active telephone wall jack:

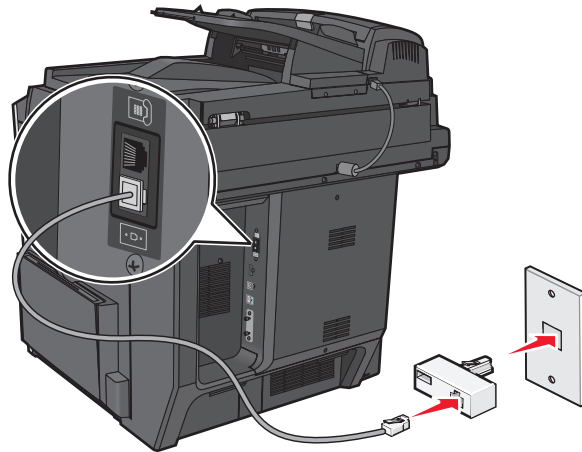
Country/Region

- Austria
- Cyprus
- Denmark
- Finland
- France
- Germany
- Ireland
- Italy
- New Zealand
- Netherlands
- Norway
- Portugal
- Sweden
- Switzerland
- United Kingdom

For some countries or regions, a telephone line adapter is included in the box. Use this adapter to connect an answering machine, telephone, or other telecommunications equipment to the printer.

- 1 Connect one end of the telephone cable that came with the printer to the printer LINE port 
- 2 Connect the other end of the telephone cable to the adapter, and then connect the adapter to the active telephone wall jack.

Note: Your telephone adapter may look different than the one shown. It will fit the wall jack used in your location.



Setting the outgoing fax or station name and number

- 1 Type the printer IP address into the address field of your Web browser.
If you do not know the IP address of the printer, you can:
 - View the IP address on the printer control panel in the TCP/IP section under the Networks/Ports menu.
 - Print a network setup page or the menu settings pages and locate the IP address in the TCP/IP section.
- 2 Click **Settings > Fax Settings > Analog Fax Setup**.
- 3 In the Fax Name or Station Name field, enter the name to be printed on all outgoing faxes.
- 4 In the Fax Number or Station Number field, enter the printer fax number.
- 5 Click **Submit**.

Setting the date and time

You can set the date and time so that they are printed on every fax you send. If there is a power failure, then you may have to reset the date and time.

- 1 Type the printer IP address in the address field of your Web browser.
If you do not know the IP address of the printer, then you can:
 - View the IP address on the printer control panel in the TCP/IP section under the Networks/Ports menu.
 - Print a network setup page or the menu settings pages and locate the IP address in the TCP/IP section.
- 2 Click **Security > Set Date and Time**.

3 In the Set Date & Time field, enter the current date and time.

4 Click **Submit**.

Note: It is recommended to use the network time.

Configuring the printer to observe daylight saving time

The printer can be set to automatically adjust for daylight saving time:

1 Type the printer IP address in the address field of your Web browser.

If you do not know the IP address of the printer, then you can:

- View the IP address on the printer control panel in the TCP/IP section under the Networks/Ports menu.
- Print a network setup page or the menu settings pages and locate the IP address in the TCP/IP section.

2 Click **Security > Set Date and Time**.

3 Select the **Automatically Observe DST** checkbox, and then enter the DST start and end dates in the Custom Time Zone Setup section.

4 Click **Submit**.

Creating shortcuts

Creating a fax destination shortcut using the Embedded Web Server

Instead of entering the entire phone number of a fax recipient on the printer control panel each time you want to send a fax, you can create a permanent fax destination and assign a shortcut number. A shortcut can be created to a single fax number or a group of fax numbers.

1 Type the printer IP address into the address field of your Web browser.

If you do not know the IP address of the printer, you can:

- View the IP address on the printer control panel in the TCP/IP section under the Networks/Ports menu.
- Print a network setup page or the menu settings pages and locate the IP address in the TCP/IP section.

2 Click **Settings > Manage Shortcuts > Fax Shortcut Setup**.

Note: A password may be required. If you do not have an ID and password, get one from your system support person.

3 Type a unique name for the shortcut, and then enter the fax number.

To create a multiple-number shortcut, enter the fax numbers for the group.


Note: Separate each fax number in the group with a semicolon (;).

4 Assign a shortcut number.

If you enter a number that is already in use, then you are prompted to select another number.


5 Click **Add**.

Creating a fax destination shortcut using the touch screen

- 1 Load an original document faceup, short edge first into the ADF or facedown on the scanner glass.
Note: Do not load postcards, photos, small items, transparencies, photo paper, or thin media (such as magazine clippings) into the ADF. Place these items on the scanner glass.
- 2 If you are loading a document into the ADF, then adjust the paper guides.
- 3 From the home screen, navigate to:
Fax > enter the fax number
To create a group of fax numbers, touch **Next number**, and then enter the next fax number.
- 4 Navigate to:
 > enter a name for the shortcut > **Done** > **OK** > **Fax It**

Sending a fax

Sending a fax using the touch screen

- 1 Load an original document faceup, short edge first into the ADF or facedown on the scanner glass.
Note: Do not load postcards, photos, small items, transparencies, photo paper, or thin media (such as magazine clippings) into the ADF. Place these items on the scanner glass.
- 2 If you are loading a document into the ADF, then adjust the paper guides.
- 3 From the home screen, touch **Fax**.
- 4 Enter the fax number or a shortcut using the touch screen or keypad.
To add recipients, touch **Next Number** and then enter the recipient's telephone number or shortcut number, or search the address book.
Note: To place a dial pause within a fax number, press . The dial pause appears as a comma in the "Fax to" box. Use this feature if you need to dial an outside line first.
- 5 Touch **Fax It**.

Sending a fax using the computer

The printer driver fax option allows you to "print to fax," where the printer will send a queued document as a fax rather than print it. The fax option functions as a normal fax machine, but is controlled through the printer driver instead of the printer control panel.

- 1 With a document open, click **File** > **Print**.
- 2 Select the printer, and then navigate to:
Properties > **Fax** tab > **Enable fax**
- 3 Enter the recipient fax number(s) in the "Fax number(s)" field.
Fax numbers can be entered manually or by using the Phone Book feature.
- 4 If necessary, enter a prefix in the Dialing prefix field.


- 5 Select the appropriate paper size and page orientation.
- 6 If you want to include a cover page with the fax, then select **Include cover page with fax**, and enter the appropriate information.
- 7 Click **OK**.

Notes:

- The Fax option is available for use only with the PostScript driver or the Universal Fax Driver. For information on installing these drivers, see the *Software and Documentation CD*.
- The Fax option must be configured and enabled in the PostScript driver under Configuration tab before it can be used.
- If the **Always display settings prior to faxing** check box is selected, then you will be prompted to verify the recipient information before the fax is sent. If this check box is not selected, then the queued document will be sent automatically as a fax when you click **OK** on the Fax tab.

Sending a fax using shortcuts


Fax shortcuts are just like the speed dial numbers on a telephone or fax machine. A shortcut number (1–99999) can contain a single recipient or multiple recipients.

- 1 Load an original document faceup, short edge first into the ADF or facedown on the scanner glass.
Note: Do not place postcards, photos, small items, transparencies, photo paper, or thin media (such as magazine clippings) into the ADF. Place these items on the scanner glass.
- 2 If you are loading a document into the ADF, then adjust the paper guides.
- 3 Press , and then enter the shortcut number using the keypad.
- 4 Touch **Fax It**.

Sending a fax using the address book

The address book enables you to search for bookmarks and network directory servers.

Note: If the address book feature is not enabled, then contact your system support person.

- 1 Load an original document faceup, short edge first into the ADF or facedown on the scanner glass.
Note: Do not load postcards, photos, small items, transparencies, photo paper, or thin media (such as magazine clippings) into the ADF. Place these items on the scanner glass.
- 2 If you are loading a document into the ADF, then adjust the paper guides.
- 3 From the home screen, navigate to:
Fax >  > **Browse shortcuts**
- 4 Using the virtual keyboard, type the name or part of the name of the person whose fax number you want to find.
Note: Do not attempt to search for multiple names at the same time.
- 5 Touch **Done** > **Fax It**.

Customizing fax settings

Changing the fax resolution

Settings range from Standard (fastest speed) to Ultra Fine (slowest speed, best quality).

- 1 Load an original document faceup, short edge first into the ADF or facedown on the scanner glass.
Note: Do not load postcards, photos, small items, transparencies, photo paper, or thin media (such as magazine clippings) into the ADF. Place these items on the scanner glass.
- 2 If you are loading a document into the ADF, then adjust the paper guides.
- 3 From the home screen, navigate to:
Fax > enter the fax number > **Options**
- 4 From the Resolution area, touch the arrows to change to the resolution you want.
- 5 Touch **Fax It**.

Making a fax lighter or darker

- 1 Load an original document faceup, short edge first into the ADF or facedown on the scanner glass.
Note: Do not load postcards, photos, small items, transparencies, photo paper, or thin media (such as magazine clippings) into the ADF. Place these items on the scanner glass.
- 2 If you are loading a document into the ADF, then adjust the paper guides.
- 3 From the home screen, navigate to:
Fax > enter the fax number > **Options**
- 4 From the Darkness area, touch the arrows to adjust the darkness of the fax.
- 5 Touch **Fax It**.

Sending a fax at a scheduled time

- 1 Load an original document faceup, short edge first into the ADF or facedown on the scanner glass.
Note: Do not load postcards, photos, small items, transparencies, photo paper, or thin media (such as magazine clippings) into the ADF. Place these items on the scanner glass.
- 2 If you are loading a document into the ADF, then adjust the paper guides.
- 3 From the home screen, navigate to:
Fax > enter the fax number > **Options** > **Advanced Options** > **Delayed Send**
Note: If Fax Mode is set to Fax Server, the Delayed Send button will not appear. Faxes waiting for transmission are listed in the Fax Queue.

- 4 Touch the arrows to adjust the time the fax will be transmitted.

The time is increased or decreased in increments of 30 minutes. If the current time is shown, the left arrow is unavailable.

- 5 Touch **Fax It**.

Note: The document is scanned and then faxed at the scheduled time.

Viewing a fax log

- 1 Type the printer IP address into the address field of your Web browser.

If you do not know the IP address of the printer, you can:

- View the IP address on the printer control panel in the TCP/IP section under the Networks/Ports menu.
- Print a network setup page or the menu settings pages and locate the IP address in the TCP/IP section.

- 2 Click **Settings > Reports > Fax Job Log** or **Fax Call Log**.

Blocking junk faxes

- 1 Type the printer IP address into the address field of your Web browser.

If you do not know the IP address of the printer, you can:

- View the IP address on the printer control panel in the TCP/IP section under the Networks/Ports menu.
- Print a network setup page or the menu settings pages and locate the IP address in the TCP/IP section.

- 2 Click **Settings > Fax Settings > Analog Fax Setup > Block No Name Fax**.

Notes:

- This option blocks all incoming faxes that have a private caller ID or no fax station name.
- In the Banned Fax List field, enter the phone numbers or fax station names of specific fax callers you want to block.

Canceling an outgoing fax

Canceling a fax while the original documents are still scanning

- When using the ADF, touch **Cancel Job** while **Scanning...** appears.
- When using the scanner glass, touch **Cancel Job** while **Scanning...** appears or while **Scan the Next Page / Finish the Job** appears.

Canceling a fax after the original documents have been scanned to memory

- 1** On the home screen, touch **Cancel Jobs**.
The Cancel Jobs screen appears.
- 2** Touch the job or jobs you want to cancel.
Only three jobs appear on the screen; touch the down arrow until the job you want appears, and then touch the job you want to cancel.
- 3** Touch **Delete Selected Jobs**.
The Deleting Selected Jobs screen appears, the selected jobs are deleted, and then the home screen appears.

Understanding fax options

Content

This option lets you specify the content type and source of the original document.

Choose content type from Text, Text/Photo, Photo, or Graphics.

- **Text**—Use when the content of the original document is mostly text or line art.
- **Graphics**—Use when the original document is mostly business-type graphics such as pie charts, bar charts, and animations.
- **Text/Photo**—Use when the original document is a mixture of text, graphics, and photos.
- **Photo**—Use when the original document is mostly a photo or an image.

Choose content source from Color Laser, Black/White Laser, Inkjet, Photo/Film, Magazine, Newspaper, Press, or Other.

- **Color Laser**—Use when the original document was printed using a color laser printer.
- **Black/White Laser**—Use when the original document was printed using a mono laser printer.
- **Inkjet**—Use when the original document was printed using an inkjet printer.
- **Photo/Film**—Use when the original document is a photo from film.
- **Magazine**—Use when the original document is from a magazine.
- **Newspaper**—Use when the original document is from a newspaper.
- **Press**—Use when the original document was printed using a printing press.
- **Other**—Use when the original document was printed using an alternate or unknown printer.

Resolution

This options increases how closely the scanner examines the document you want to fax. If you are faxing a photo, a drawing with fine lines, or a document with very small text, then increase the Resolution setting. This will increase the amount of time required for the scan and will increase the quality of the fax output.

- **Standard**—Suitable for most documents
- **Fine 200 dpi**—Recommended for documents with small print
- **Super fine 300 dpi**—Recommended for original documents with fine detail
- **Ultra fine 600 dpi**—Recommended for documents with pictures or photos

Note: **Fine 200 dpi** and **Super fine 300 dpi** is displayed when color printing is selected.

Darkness

This option adjusts how light or dark your faxes will turn out in relation to the original document.

Color

This option enables or disables color in faxing.

Page Setup

This option lets you change the Sides (Duplex), Orientation, and Binding settings.

- **Sides (Duplex)**—Use to specify if the original document is simplex (printed on one page) or duplex (printed on both sides). This also identifies what needs to be scanned for inclusion in the fax.
- **Orientation**—Use to specify the orientation of the original document, and then changes Sides and Binding to match the orientation.
- **Binding**—Use to specify if the original document is bound on the long-edge or short-edge side.

Scan Preview

This option displays the first page of the image before it is included in the fax. When the first page is scanned, the scanning is paused and a preview image appears.

Delayed Send

This lets you send a fax at a later time or date.

- 1 Set up your fax.
- 2 From the home screen, navigate to:
Delayed Send > enter the date and time you want to send your fax > **Done**

Note: If the printer is turned off when the delayed fax is scheduled to be sent, then the fax is sent the next time the printer is turned on.

This setting can be especially useful in sending information to fax lines that are not readily available during certain hours, or when transmission times are cheaper.

Advanced Options

Touching the Advanced Options button opens a screen where you can change the following settings:

- **ADF Skew Fix**—Use to correct slight skew in the scanned image.
- **Advanced Imaging**—Use to adjust the Background Removal, Contrast, Color Balance, Negative Image, Mirror Image, Scan Edge to Edge, Shadow Detail, Sharpness, and Temperature settings before you fax the document.
- **Custom Job**—Use to combine multiple scanning jobs into a single job.
- **Edge Erase**—Use to eliminate smudges or information around the edges of a document. You can choose to eliminate an equal area around all four sides of the paper, or pick a particular edge. Edge Erase will erase whatever is within the area selected, leaving nothing on that portion of the scan.
- **Transmission Log**—Use to print the transmission log or transmission error log.

Holding and forwarding faxes

Holding faxes

This option lets you hold received faxes from printing until they are released. Held faxes can be released manually or at a scheduled day or time.

1 Type the printer IP address into the address field of your Web browser.

If you do not know the IP address of the printer, you can:

- View the IP address on the printer control panel in the TCP/IP section under the Networks/Ports menu.
- Print a network setup page or the menu settings pages and locate the IP address in the TCP/IP section.

2 Click **Settings > Fax Settings > Analog Fax Setup > Holding Faxes**.

3 In the Print Faxes Password field, enter a password.

4 From the Held Fax Mode menu, select one of the following:

- **Off**
- **Always On**
- **Manual**
- **Scheduled**

5 If you selected Scheduled, then continue with the following steps:

- a** Click **Fax Holding Schedule**.
- b** From the Action menu, select **Hold faxes**.
- c** From the Time menu, select the time you want the held faxes released.
- d** From the Day(s) menu, select the day you want the held faxes released.

6 Click **Add**.

Forwarding a fax

This option lets you print and forward received faxes to a fax number, e-mail address, FTP site, or LDSS.

1 Type the printer IP address into the address field of your Web browser.

If you do not know the IP address of the printer, you can:

- View the IP address on the printer control panel in the TCP/IP section under the Networks/Ports menu.
- Print a network setup page or the menu settings pages and locate the IP address in the TCP/IP section.

2 Click **Settings > Fax Settings**.

3 From the Fax Forwarding menu, select one of the following:

- **Print**
- **Print and Forward**
- **Forward**

4 From the “Forward to” menu, select one of the following:


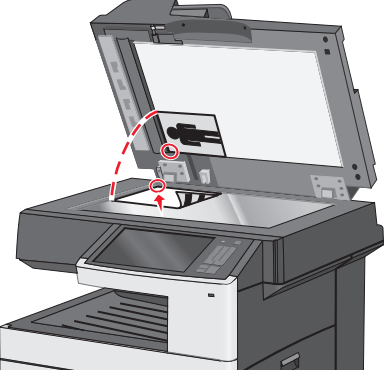
- Fax
- E-mail
- FTP
- LDSS
- eSF

5 In the Forward to Shortcut field, enter the shortcut number where you want the fax forwarded.

Note: The shortcut number must be valid for the setting selected in the “Forward to” menu.

6 Click **Submit**.

Scanning to an FTP address

| ADF | Scanner glass |
|---|--|
|  |  |
| <p>Use the ADF for multiple-page documents.</p> | <p>Use the scanner glass for single pages, small items (such as postcards or photos), transparencies, photo paper, or thin media (such as magazine clippings).</p> |

The scanner lets you scan documents directly to a File Transfer Protocol (FTP) server. Only one FTP address may be sent to the server at a time.

Once an FTP destination has been configured by your system support person, the name of the destination becomes available as a shortcut number, or it is listed as a profile under the Held Jobs icon. An FTP destination could also be another PostScript printer; for example, a color document can be scanned, and then sent to a color printer. Sending a document to an FTP server is similar to sending a fax. The difference is that you are sending the information over your network instead of over the phone line.

Creating shortcuts

Instead of entering the entire FTP site address on the printer control panel each time you want to send a document to an FTP server, you can create a permanent FTP destination and assign a shortcut number. There are two methods for creating shortcut numbers: using the Embedded Web Server and using the printer touch screen.

Creating an FTP shortcut using the Embedded Web Server

- 1 Type the printer IP address into the address field of your Web browser.

If you do not know the IP address of the printer, you can:

- View the IP address on the printer control panel in the TCP/IP section under the Networks/Ports menu.
- Print a network setup page or the menu settings pages and locate the IP address in the TCP/IP section.

- 2 Click **Settings**.


- 3 Under Other Settings, click **Manage Shortcuts**.

Note: A password may be required. If you do not have an ID and password, get one from your system support person.

- 4 Click **FTP Shortcut Setup**.

- 5 Enter the appropriate information.
- 6 Enter a shortcut number.
If you enter a number that is already in use, then you are prompted to select another number.
- 7 Click **Add**.

Creating an FTP shortcut using the touch screen


- 1 From the home screen, navigate to:
FTP > type the FTP address >  > enter a name for the shortcut > **Done**
- 2 Verify that the shortcut name and number are correct, and then touch **OK**. If the name or number is incorrect, then touch **Cancel**, and then reenter the information.
If you enter a number that is already in use, then you are prompted to select another number.
- 3 Touch **Submit**.

Scanning to an FTP address

Scanning to an FTP address using the touch screen

- 1 Load an original document faceup, short edge first into the ADF or facedown on the scanner glass.
Note: Do not load postcards, photos, small items, transparencies, photo paper, or thin media (such as magazine clippings) into the ADF. Place these items on the scanner glass.
- 2 If you are loading a document into the ADF, then adjust the paper guides.
- 3 From the home screen, navigate to:
FTP > **FTP** > type the FTP address > **Send It**

Scanning to an FTP address using a shortcut number

- 1 Load an original document faceup, short edge first into the ADF or facedown on the scanner glass.
Note: Do not load postcards, photos, small items, transparencies, photo paper, or thin media (such as magazine clippings) into the ADF. Place these items on the scanner glass.
- 2 If you are loading a document into the ADF, then adjust the paper guides.
- 3 Press , and then enter the FTP shortcut number.
- 4 Touch **Send It**.


Scanning to an FTP address using the address book

- 1 Load an original document faceup, short edge first into the ADF or facedown on the scanner glass.

Note: Do not load postcards, photos, small items, transparencies, photo paper, or thin media (such as magazine clippings) into the ADF. Place these items on the scanner glass.

- 2 If you are loading a document into the ADF, adjust the paper guides.

- 3 From the home screen, navigate to:

FTP > **FTP** >  > enter the name of recipient > **Browse shortcuts** > name of recipient > **Search**

Understanding FTP options

FTP

This option lets you enter the IP address for the FTP destination.

Note: Addresses should be in dot notation form (for example: **yyy . yyy . yyy . yyy**).

File Name

This option lets you enter the file name of the scanned document.

Original Size

This option opens a screen where you can choose the size of the documents for FTP sending.

- Touch a paper size button to select that size as the Original Size setting. The FTP screen appears with the new setting displayed.
- When “Original Size” is set to Mixed Sizes, you can scan an original document that contains mixed paper sizes.
- When “Original Size” is set to Auto Size Sense, the scanner automatically determines the size of the original document.

Send As

This option sets the output (PDF, TIFF, JPEG or XPS) for the scanned image.

- **PDF**—Creates a single file with multiple pages, viewable with Adobe Reader. Adobe Reader is provided free by Adobe at www.adobe.com.
- **Secure PDF**—Creates an encrypted PDF file that protects the file contents from unauthorized access
- **TIFF**—Creates multiple files or a single file. If Multi-page TIFF is turned off in the Settings menu of the Embedded Web Server, then TIFF saves one page in each file. The file size is usually larger than an equivalent JPEG.
- **JPEG**—Creates and attaches a separate file for each page of your original document, viewable by most Web browsers and graphics programs
- **XPS**—Creates a single XPS file with multiple pages, viewable using an Internet Explorer-hosted viewer and the .NET Framework, or by downloading a third party standalone viewer

Color

This option enables or disables color for the scanned image.

Resolution

This option adjusts the output quality of your file. Increasing the image resolution increases the file size and the time needed to scan your original document. Image resolution can be decreased to reduce the file size.

Darkness

This option adjusts how light or dark your files will turn out in relation to the original document.

Page Setup

This option lets you change the Sides (Duplex), Orientation, and Binding.

- **Sides (Duplex)**— Specifies if the original document is simplex (printed on one page) or duplex (printed on both sides). This also identifies what needs to be scanned.
- **Orientation**— Specifies the orientation of the original document, and then changes the Sides and Binding settings to match the orientation.
- **Binding**— Specifies if the original document is bound on the long-edge or short-edge side.

Content

This option lets you specify the content type and source of the original document.

Choose content type from Text, Text/Photo, Photo, or Graphics.

- **Text**—Use when the content of the original document is mostly text or line art.
- **Graphics**—Use when the original document is mostly business-type graphics such as pie charts, bar charts, and animations.
- **Text/Photo**—Use when the original document is a mixture of text, graphics, and photos.
- **Photo**—Use when the original document is mostly a photo or an image.

Choose content source from Color Laser, Black/White Laser, Inkjet, Photo/Film, Magazine, Newspaper, Press, or Other.

- **Color Laser**—Use when the original document was printed using a color laser printer.
- **Black/White Laser**—Use when the original document was printed using a mono laser printer.
- **Inkjet**—Use when the original document was printed using an inkjet printer.
- **Photo/Film**—Use when the original document is a photo from film.
- **Magazine**—Use when the original document is from a magazine.
- **Newspaper**—Use when the original document is from a newspaper.
- **Press**—Use when the original document was printed using a printing press.
- **Other**—Use when the original document was printed using an alternate or unknown printer.

Scan Preview


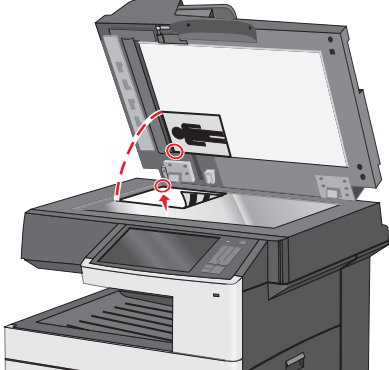
This option displays the first page of the original document before it is scanned completely. When the first page is scanned, the scanning is paused and a preview image appears.

Advanced Options

Touching the Advanced Options button opens a screen where you can change the following settings:

- **ADF Skew Fix**—Use to correct slight skew in the scanned image.
- **Advanced Imaging**—Use to adjust the Background Removal, Color Balance, Color Dropout, Contrast, JPEG Quality, Negative Image, Mirror Image, Scan edge to edge, Shadow Detail, Sharpness, and Temperature image output settings before sending the image file.
- **Edge Erase**—Use to eliminate smudges or information around the edges of a document. You can choose to eliminate an equal area around all four sides of the paper, or pick a particular edge. Edge Erase will erase whatever is within the area selected, leaving nothing on that portion of the scan.
- **Transmission Log**—Use to print the transmission log or transmission error log.
- **Custom Job**—Use to combine multiple scanning jobs into a single job.

Scanning to a computer or flash drive

| ADF | Scanner glass |
|---|--|
|  |  |
| <p>Use the ADF for multiple-page documents.</p> | <p>Use the scanner glass for single pages, small items (such as postcards or photos), transparencies, photo paper, or thin media (such as magazine clippings).</p> |

The scanner lets you scan documents directly to a computer or a flash drive. The computer does not have to be directly connected to the printer for you to receive Scan to PC images. You can scan the document back to the computer over the network by creating a scan profile on the computer and then downloading the profile to the printer.

Scanning to a computer

- 1 Type the printer IP address into the address field of your Web browser.

If you do not know the IP address of the printer, you can:

- View the IP address on the printer control panel in the TCP/IP section under the Networks/Ports menu.
- Print a network setup page or the menu settings pages and locate the IP address in the TCP/IP section.

- 2 Click **Scan Profile > Create**.

- 3 Select your scan settings, and then click **Next**.

- 4 Select a location on your computer where you want to save the scanned output file.

- 5 Enter a scan name.

The scan name is the name that appears in the Scan Profile list on the display.

- 6 Click **Submit**.

- 7 Review the instructions on the Scan Profile screen.

A shortcut number was automatically assigned when you clicked **Submit**. You can use this shortcut number when you are ready to scan your documents.

- a Load an original document faceup, short edge first into the ADF or facedown on the scanner glass.

Note: Do not load postcards, photos, small items, transparencies, photo paper, or thin media (such as magazine clippings) into the ADF. Place these items on the scanner glass.

- b If you are loading a document into the ADF, then adjust the paper guides.

- c Press **#**, and then enter the shortcut number using the keypad, or touch **Held Jobs** on the home screen, and then touch **Profiles**.
- d After entering the shortcut number, the scanner scans and sends the document to the directory or program you specified. If you touched **Profiles** on the home screen, then locate your shortcut on the list.

8 Return to the computer to view the file.

The output file is saved in the location or launched in the program you specified.

Scanning to a flash drive

1 Load an original document faceup, short edge first into the ADF or facedown on the scanner glass.

Note: Do not load postcards, photos, small items, transparencies, photo paper, or thin media (such as magazine clippings) into the ADF. Place these items on the scanner glass.

2 If you are loading a document into the ADF, then adjust the paper guides.

3 Insert the flash drive into the USB port on the front of the printer.

The USB Drive home screen appears.

4 Select the destination folder, and then touch **Scan to USB drive**.

5 Adjust the scan settings.

6 Touch **Scan It**.

Understanding the Scan Center features

The Scan Center software lets you modify scan settings and select where to send the scanned output. Scan settings modified with the Scan Center software can be saved and used for other scan jobs.

The following features are available:

- Scan and send images to your computer
- Convert scanned images to text
- Preview the scanned image and adjust the brightness and contrast
- Make larger scans without losing detail
- Scan two-sided documents

Using the ScanBack Utility

You can use the Lexmark ScanBack™ Utility to create scan-to-PC profiles. The ScanBack Utility can be downloaded from the Lexmark Web site on <http://support.lexmark.com>.

1 Set up a scan-to-PC profile:

a Launch the ScanBack Utility.

b Select the printer.

If no printers are listed, then contact your system support person, or click **Setup** to manually search for an IP address or host name.

- c Follow the instructions on your computer screen to define the type of document being scanned and what kind of output you want to create.
- d Select any of the following:
 - **Show MFP Instructions**—View or print the instructions.
 - **Create Shortcut**—Save this group of settings to use again.
- e Click **Finish**.

A dialog box appears with your scan profile information and the status of the received images.

2 Scan original documents:

- a Load all pages in the ADF or on the scanner glass.
- b From the printer control panel, navigate to:
Scan/Email > Profiles > select your scan profile > Submit

Note: The output file is saved in a directory or launched in the application you specified.

Understanding scan profile options

Original Size

This option sets the size of the documents you are going to scan. When Original Size is set to Mixed Sizes, you can scan an original document that contains mixed paper sizes (letter- and legal-size pages).

Resolution

This option adjusts the output quality of your file. Increasing the image resolution increases the file size and the time needed to scan your original document. Image resolution can be decreased to reduce the file size.

Color

This option enables or disables color for the scanned image.

Content

This option lets you specify the content type and source of the original document.

Choose content type from Text, Text/Photo, Photo, or Graphics.

- **Text**—Use when the content of the original document is mostly text or line art.
- **Graphics**—Use when the original document is mostly business-type graphics such as pie charts, bar charts, and animations.
- **Text/Photo**—Use when the original document is a mixture of text, graphics, and photos.
- **Photo**—Use when the original document is mostly a photo or an image.

Choose content source from Color Laser, Black/White Laser, Inkjet, Photo/Film, Magazine, Newspaper, Press, or Other.

- **Color Laser**—Use when the original document was printed using a color laser printer.
- **Black/White Laser**—Use when the original document was printed using a mono laser printer.

- **Inkjet**—Use when the original document was printed using an inkjet printer.
- **Photo/Film**—Use when the original document is a photo from film.
- **Magazine**—Use when the original document is from a magazine.
- **Newspaper**—Use when the original document is from a newspaper.
- **Press**—Use when the original document was printed using a printing press.
- **Other**—Use when the original document was printed using an alternate or unknown printer.

Darkness

This option adjusts how light or dark your scanned documents will turn out in relation to the original document.

Page Setup

This option lets you change the Sides (Duplex), Orientation, and Binding.

- **Sides (Duplex)**— Use this to specify if the original document is simplex (printed on one page) or duplex (printed on both sides). This also identifies what needs to be scanned for inclusion in the e-mail.
- **Orientation**— Use this to specify the orientation of the original document, and then change **Sides** and **Binding** to match the orientation.
- **Binding**— Use this to specify if the original document is bound on the long-edge or short-edge of the page.

Scan Preview

This option displays the first page of the image before it is included in the e-mail. When the first page is scanned, the scanning is paused and a preview image appears.

Advanced Options

Touching the Advanced Options button opens a screen where you can change the following settings:

- **ADF Skew Fix**— Use this to correct slight skew in the scanned image.
- **Advanced Imaging**— Use this to change or adjust Background Removal, Color Balance, Color Dropout, Contrast, JPEG Quality, Mirror Image, Negative Image, Scan Edge to Edge, Shadow Detail, Sharpness, and Temperature before scanning a document.
- **Custom Job**—Use this to combine multiple scan jobs into a single scan job.
- **Edge Erase**—Use this to remove smudges or information around the edges of a document. You can choose to eliminate an equal area around all four sides of the paper, or pick a particular edge. Edge Erase will erase whatever is within the area selected, leaving nothing on that portion of the scanned image.
- **Transmission Log**—Use this to print the transmission log or transmission error log.

Understanding printer menus

Menus list

Supplies

Replace Supply
Cyan Cartridge
Magenta Cartridge
Yellow Cartridge
Black Cartridge
Cyan Imaging Unit
Magenta Imaging Unit
Yellow Imaging Unit
Black Imaging Unit
Separator Pick Assembly and Roller
Waste Toner Bottle
Fuser
Transfer Module
Maintenance Kit

Paper Menu

Default Source
Paper Size/Type
Configure MP
Substitute Size
Paper Weight
Paper Loading
Custom Types
Custom Names
Custom Scan Sizes
Universal Setup

Reports

Menu Settings Page
Device Statistics
Network Setup Page
Network [x] Setup Page
Shortcut List
Fax Job Log
Fax Call Log
Copy Shortcuts
E-mail Shortcuts
Fax Shortcuts
FTP Shortcuts
Profiles List
Print Fonts
Print Directory
Asset Report

Network/Ports

Active NIC
Standard Network or Network [x]¹
Standard USB
Parallel [x]
Serial [x]
SMTP Setup

Security

Edit Security Setups
Miscellaneous Security Settings
Confidential Print
Disk Wiping
Security Audit Log
Set Date and Time

Settings

General Settings
Copy Settings
Fax Settings
E-mail Settings
FTP Settings
Flash Drive Menu
Print Settings

Help

Print All Guides
Copy Guide
E-mail Guide
Fax Guide
FTP Guide
Print Defects Guide
Information Guide
Supplies Guide

Manage Shortcuts

Fax Shortcuts
E-mail Shortcuts
FTP Shortcuts
Copy Shortcuts
Profile Shortcuts

Option Card Menu

A list of installed *download emulators* (DLEs) appears.²

¹ Depending on the printer setup, this menu appears as Standard Network or Network [x].

² This menu appears only when one or more DLEs are installed.

Supplies menu

| Menu item | Description |
|--|---|
| <p>Replace Supply Separator Pick Assembly and Roller Waste Toner Bottle</p> | <p>Lets you reset the supply counter for the separator pick assembly and roller</p> <ul style="list-style-type: none"> • Select Yes to reset the supply counter. • Select No to exit. |
| <p>Cyan Cartridge Early Warning Low Invalid Near End of Life Replace Missing Defective OK Unsupported</p> | <p>Shows the status of the cyan toner cartridge</p> |
| <p>Magenta Cartridge Early Warning Low Invalid Near End of Life Replace Missing Defective OK Unsupported</p> | <p>Shows the status of the magenta toner cartridge</p> |
| <p>Yellow Cartridge Early Warning Low Invalid Near End of Life Replace Missing Defective OK Unsupported</p> | <p>Shows the status of the yellow toner cartridge</p> |

| Menu item | Description |
|---|--|
| Black Cartridge Early Warning Low Invalid Near End of Life Replace Missing Defective OK Unsupported | Shows the status of the black toner cartridge |
| Cyan Imaging Unit Early Warning Low Replace Missing OK | Shows the status of the cyan imaging unit |
| Magenta Imaging Unit Early Warning Low Replace Missing OK | Shows the status of the magenta imaging unit |
| Yellow Imaging Unit Early Warning Low Replace Missing OK | Shows the status of the yellow imaging unit |
| Black Imaging Unit Early Warning Low Replace Missing OK | Shows the status of the black imaging unit |
| Separator Pick Assembly and Roller OK Replace | Shows the status of the separator pick assembly and roller |
| Waste Toner Bottle Near Full Replace Missing OK | Shows the status of the waste toner bottle |

| Menu item | Description |
|--|---|
| Fuser Early Warning Low Replace Missing OK | Shows the status of the fuser |
| Transfer Module Early Warning Low Replace Missing OK | Shows the status of the transfer module |
| Maintenance Kit OK Replace | Shows the status of the maintenance kit |

Paper menu

Default Source menu

| Menu item | Description |
|---|--|
| Default Source Tray [x] MP Feeder Manual Paper Manual Envelope | Sets a default paper source for all print jobs Notes: <ul style="list-style-type: none"> • Tray 1 (standard tray) is the factory default setting. • From the Paper menu, Configure MP feeder must be set to Cassette for MP feeder to appear as a menu setting. • If the same size and type of paper are in two trays and the Paper Size and Paper Type settings match, then the trays are automatically linked. When one tray is empty, the print job continues using the linked tray. |

Paper Size/Type menu

| Menu item | Description |
|---|---|
| Tray [x] Size (LEF) Letter Legal JIS B4 A3 11 x 17 Universal (LEF) A4 | Specifies the paper size loaded in each tray Notes: <ul style="list-style-type: none"> • Letter is the US factory default setting. A4 is the international factory default setting. • For trays with automatic size sensing, only the size detected by the hardware appears. • If the same size and type of paper are in two trays and the Paper Size and Paper Type settings match, then the trays are automatically linked. When one tray is empty, the print job continues using the linked tray. |
| Tray [x] Type Plain Paper Card Stock Transparency Recycled Glossy Heavy Glossy Labels Vinyl Labels Bond Letterhead Preprinted Colored Paper Light Paper Heavy Paper Rough/Cotton Paper Custom Type [x] | Specifies the type of paper loaded in each tray Notes: <ul style="list-style-type: none"> • Plain Paper is the factory default setting for Tray 1. Custom Type [x] is the factory default setting for all other trays. • If available, a user-defined name appears instead of Custom Type [x]. • If the same size and type of paper are in two trays and the Paper Size and Paper Type settings match, then the trays are automatically linked. When one tray is empty, the print job continues using the linked tray. |
| Note: Only installed trays are listed in this menu. | |

| Menu item | Description |
|--|--|
| <p>MP Feeder Size</p> <ul style="list-style-type: none"> Letter Legal Executive JIS B4 A3 11 x 17 Oficio (México) Folio Statement Universal 7 3/4 Envelope 9 Envelope 10 Envelope DL Envelope C5 Envelope B5 Envelope Other Envelope A4 A5 A6 JIS B5 | <p>Specifies the paper size loaded in the multipurpose feeder</p> <p>Notes:</p> <ul style="list-style-type: none"> • Letter is the US factory default setting. A4 is the international factory default setting. • From the Paper menu, Configure MP Feeder must be set to Cassette for MP Feeder to appear as a menu setting. |
| <p>MP Feeder Type</p> <ul style="list-style-type: none"> Plain Paper Card Stock Transparency Recycled Glossy Heavy Glossy Labels Vinyl Labels Bond Envelope Rough Envelope Letterhead Preprinted Colored Paper Light Paper Heavy Paper Rough/Cotton Paper Custom Type [x] | <p>Specifies the type of paper loaded in the multipurpose feeder</p> <p>Notes:</p> <ul style="list-style-type: none"> • Plain Paper is the factory default setting. • From the Paper menu, Configure MP Feeder must be set to Cassette for MP Feeder to appear as a menu setting. |
| <p>Note: Only installed trays are listed in this menu.</p> | |

| Menu item | Description |
|---|--|
| <p>Manual Paper Size</p> <ul style="list-style-type: none"> Letter Legal Executive JIS B4 A3 11 x 17 Oficio (México) Folio Statement Universal A4 A5 A6 JIS B5 | <p>Specifies the size of the paper loaded manually</p> <p>Note: Letter is the US factory default setting. A4 is the international factory default setting.</p> |
| <p>Manual Paper Type</p> <ul style="list-style-type: none"> Plain Paper Card Stock Transparency Recycled Glossy Heavy Glossy Labels Vinyl Labels Bond Letterhead Preprinted Colored Paper Light Paper Heavy Paper Rough/Cotton Paper Custom Type [x] | <p>Specifies the type of paper loaded manually</p> <p>Note: Plain Paper is the factory default setting.</p> |
| <p>Manual Envelope Size</p> <ul style="list-style-type: none"> 10 Envelope DL Envelope C5 Envelope B5 Envelope 7 3/4 Envelope 9 Envelope Other Envelope | <p>Specifies the size of the envelope loaded manually</p> <p>Note: 10 Envelope is the US factory default setting. DL Envelope is the international factory default setting.</p> |
| <p>Note: Only installed trays are listed in this menu.</p> | |

| Menu item | Description |
|--|---|
| Manual Envelope Type Envelope Rough Envelope Custom Type [x] | Specifies the type of envelope loaded manually Note: Envelope is the factory default setting. |
| Note: Only installed trays are listed in this menu. | |

Configure MP menu

| Menu item | Description |
|--|--|
| Configure MP Cassette Manual First | Determines when the printer selects paper from the multipurpose feeder Notes: <ul style="list-style-type: none"> • Cassette is the factory default setting. Cassette configures the multipurpose feeder as the automatic paper source. • Manual sets the multipurpose feeder only for manual feed print jobs. • First configures the multipurpose feeder as the primary paper source. |

Substitute Size menu

| Menu item | Description |
|--|--|
| Substitute Size All Listed Off Statement/A5 Letter/A4 11 x 17/A3 | Substitutes a specified paper size if the requested paper size is not available Notes: <ul style="list-style-type: none"> • All Listed is the factory default setting. All available substitutions are allowed. • Off indicates that no size substitutions are allowed. • Setting a size substitution lets the print job continue without a Change Paper message appearing. |

Paper Weight menu

| Menu item | Description |
|--|--|
| Plain Weight Normal Heavy Light | Specifies the relative weight of the plain paper loaded Note: Normal is the factory default setting. |
| Card Stock Weight Normal Heavy Light | Specifies the relative weight of the card stock loaded Notes: <ul style="list-style-type: none"> • Normal is the factory default setting. • Settings appear only if card stock is supported. |

| Menu item | Description |
|--|---|
| Transparency Weight Normal Heavy Light | Specifies the relative weight of the transparencies loaded Note: Normal is the factory default setting. |
| Recycled Weight Normal Heavy Light | Specifies the relative weight of the recycled paper loaded Note: Normal is the factory default setting. |
| Glossy Weight Normal Heavy Light | Specifies the relative weight of the glossy paper loaded Note: Normal is the factory default setting. |
| Heavy Glossy Weight Heavy | Specifies the relative weight of the glossy paper loaded Note: Heavy is the factory default setting. |
| Labels Weight Normal Heavy Light | Specifies the relative weight of the labels loaded Note: Normal is the factory default setting. |
| Vinyl Labels Weight Normal Heavy Light | Specifies the relative weight of vinyl labels loaded Note: Normal is the factory default setting. |
| Bond Weight Normal Heavy Light | Specifies the relative weight of the bond paper loaded Note: Normal is the factory default setting. |
| Envelope Weight Normal Heavy Light | Specifies the relative weight of the envelopes loaded Note: Normal is the factory default setting. |
| Rough Envelope Weight Heavy Light Normal | Specifies the relative weight of the envelopes loaded Note: Heavy is the factory default setting. |
| Letterhead Weight Normal Heavy Light | Specifies the relative weight of the letterhead loaded Note: Normal is the factory default setting. |
| Preprinted Weight Normal Heavy Light | Specifies the relative weight of the preprinted paper loaded Note: Normal is the factory default setting. |

| Menu item | Description |
|--|---|
| Colored Weight Normal Heavy Light | Specifies the relative weight of the colored paper loaded Note: Normal is the factory default setting. |
| Light Weight Light | Specifies the relative weight of the paper loaded Note: Light is the factory default setting. |
| Heavy Weight Heavy | Specifies the relative weight of the paper loaded Note: Heavy is the factory default setting. |
| Rough/Cotton Weight Normal Heavy Light | Specifies the relative weight of the cotton paper loaded Note: Normal is the factory default setting. |
| Custom [x] Weight Normal Heavy Light | Specifies the relative weight of the custom paper loaded Notes: <ul style="list-style-type: none"> • Normal is the factory default setting. • Settings appear only if the custom type is supported. |

Paper Loading menu

| Menu item | Description |
|--|---|
| Card Stock Loading Off Duplex | Determines whether 2-sided printing occurs for all print jobs that specify Card Stock as the paper type Note: Off is the factory default setting. |
| Recycled Loading Off Duplex | Determines whether 2-sided printing occurs for all print jobs that specify Recycled as the paper type Note: Off is the factory default setting. |
| Glossy Loading Off Duplex | Determines whether 2-sided printing occurs for all print jobs that specify Glossy as the paper type Note: Off is the factory default setting. |
| Heavy Glossy Loading Off Duplex | Determines whether 2-sided printing occurs for all print jobs that specify Heavy Glossy as the paper type Note: Off is the factory default setting. |
| Labels Loading Off Duplex | Determines whether 2-sided printing occurs for all print jobs that specify Labels as the paper type Note: Off is the factory default setting. |
| Notes: <ul style="list-style-type: none"> • Duplex sets the printer default to 2-sided printing for every print job unless 1-sided printing is selected from Print Properties. • If Duplex is selected, then all print jobs are sent through the duplex unit, including 1-sided print jobs. | |

| Menu item | Description |
|--|---|
| Vinyl Labels Loading Off Duplex | Determines whether 2-sided printing occurs for all print jobs that specify Vinyl Labels as the paper type Note: Off is the factory default setting. |
| Bond Loading Off Duplex | Determines whether 2-sided printing occurs for all print jobs that specify Bond as the paper type Note: Off is the factory default setting. |
| Letterhead Loading Off Duplex | Determines whether 2-sided printing occurs for all print jobs that specify Letterhead as the paper type Note: Off is the factory default setting. |
| Preprinted Loading Off Duplex | Determines whether 2-sided printing occurs for all print jobs that specify Preprinted as the paper type Note: Off is the factory default setting. |
| Colored Loading Off Duplex | Determines whether 2-sided printing occurs for all print jobs that specify Colored as the paper type Note: Off is the factory default setting. |
| Light Loading Off Duplex | Determines whether 2-sided printing occurs for all print jobs that specify Light as the paper type Note: Off is the factory default setting. |
| Heavy Loading Off Duplex | Determines whether 2-sided printing occurs for all print jobs that specify Heavy as the paper type Note: Off is the factory default setting. |
| Rough/Cotton Loading Off Duplex | Determines whether 2-sided printing occurs for all print jobs that specify Rough or Cotton as the paper type Note: Off is the factory default setting. |
| Custom [x] Loading Off Duplex | Determines whether 2-sided printing occurs for all print jobs that specify Custom [x] as the paper type Notes: <ul style="list-style-type: none"> • Off is the factory default setting. • Custom [x] Loading is available only if the custom paper type is supported. |
| Notes: <ul style="list-style-type: none"> • Duplex sets the printer default to 2-sided printing for every print job unless 1-sided printing is selected from Print Properties. • If Duplex is selected, then all print jobs are sent through the duplex unit, including 1-sided print jobs. | |

Custom Types menu

| Menu item | Description |
|---|---|
| Custom Type [x] Paper Card Stock Transparency Glossy Rough/Cotton Labels Vinyl Labels Envelope | Associates a paper or specialty media type with a factory default Custom Type [x] name or a user-defined Custom Name created from the Embedded Web Server or from MarkVision™ Professional Notes: <ul style="list-style-type: none"> • Paper is the factory default setting. • The custom media type must be supported by the selected tray or multipurpose feeder in order to print from that source. |
| Recycled Paper Card Stock Transparency Glossy Rough/Cotton Labels Vinyl Labels Envelope | Specifies a paper type when the Recycled setting is selected in other menus Notes: <ul style="list-style-type: none"> • Paper is the factory default setting. • The custom media type must be supported by the selected tray or multipurpose feeder in order to print from that source. |

Custom Names menu

| Menu item | Definition |
|----------------------------------|--|
| Custom Name [x] [none] | Specify a custom name for a paper type. This name replaces the Custom Type [x] name in the printer menus. |

Custom Scan Sizes menu

| Menu item | Description |
|--|---|
| Custom Scan Size [x] Scan Size Name Width 1–11.69 inches (25–297 mm) Height 1–17 inches (25–432 mm) Orientation Portrait Landscape 2 scans per side Off On | Specifies a custom scan size name, scan sizes, and options. The custom scan size name replaces Custom Scan Size [x] in the printer menus. Notes: <ul style="list-style-type: none"> • 11.69 inches is the US factory default setting for Width. 297 millimeters is the international factory default setting for Width. • 17 inches is the US factory default setting for Height. 432 millimeters is the international factory default setting for Height. • Portrait is the factory default setting for Orientation. • Off is the factory default setting for 2 scans per side. |

Universal Setup menu

| Menu item | Description |
|---|--|
| Units of Measure Inches Millimeters | Identifies the unit of measure Note: Inches is the US factory default setting. Millimeters is the international factory default setting. |
| Portrait Width 3–48 inches 76–1219 mm | Sets the portrait width Notes: <ul style="list-style-type: none"> • 11.69 inches is the US factory default setting. Inches can be increased in 0.01-inch increments. • 296.9 mm is the international factory default setting. Millimeters can be increased in 1-mm increments. • If the width exceeds the maximum, then the printer uses the maximum width allowed. |
| Portrait Height 3–48 inches 76–1219 mm | Sets the portrait height Notes: <ul style="list-style-type: none"> • 48 inches is the US factory default setting. Inches can be increased in 0.01-inch increments. • 1219 mm is the international factory default setting. Millimeters can be increased in 1-mm increments. • If the height exceeds the maximum, then the printer uses the maximum height allowed. |
| Feed Direction Short Edge Long Edge | Specifies the feed direction Notes: <ul style="list-style-type: none"> • Short Edge is the factory default setting. • Long Edge appears only if the longest edge is shorter than the maximum width supported by the tray. |

Reports menu

Reports menu

| Menu item | Description |
|---------------------------|---|
| Menu Settings Page | Prints a report containing information about the paper loaded into trays, installed memory, total page count, alarms, timeouts, printer control panel language, TCP/IP address, status of supplies, status of the network connection, and other information |
| Device Statistics | Prints a report containing printer statistics such as supply information and details about printed pages |

| Menu item | Description |
|-------------------------------|---|
| Network Setup Page | Prints a report containing information about the network printer settings, such as the TCP/IP address information Note: This menu item appears only in network printers or printers connected to print servers. |
| Network [x] Setup Page | Prints a report containing information about the network printer settings, such as the TCP/IP address information Notes: <ul style="list-style-type: none"> • This menu item is available when there is more than one network option installed. • This menu item appears only in network printers or printers connected to print servers. |
| Shortcut List | Prints a report containing information about configured shortcuts |
| Fax Job Log | Prints a report containing information about the last 200 completed faxes Note: This menu item is available only when Enable Job Log is set to On in the Fax Settings menu. |
| Fax Call Log | Prints a report containing information about the last 100 attempted, received, and blocked calls Note: This menu item is available only when Enable Job Log is set to On in the Fax Settings menu. |
| Copy Shortcuts | Prints a report containing information about copy shortcuts |
| E-mail Shortcuts | Prints a report containing information about e-mail shortcuts |
| Fax Shortcuts | Prints a report containing information about fax shortcuts |
| FTP Shortcuts | Prints a report containing information about FTP shortcuts |
| Profiles List | Prints a list of profiles stored in the printer |
| Print Fonts | Prints a report of all the fonts available for the printer language currently set in the printer |
| Print Directory | Prints a list of all the resources stored on an optional flash memory card or printer hard disk Notes: <ul style="list-style-type: none"> • Job Buffer Size must be set to 100%. • Make sure the optional flash memory or printer hard disk is installed correctly and working. |
| Asset Report | Prints a report containing asset information including the printer serial number and model name. The report contains text and UPC barcodes that can be scanned into an asset database. |

Network/Ports menu

Active NIC menu

| Menu item | Description |
|--|---|
| Active NIC Auto [list of available network cards] | Notes: <ul style="list-style-type: none"> • Auto is the factory default setting. • This menu item appears only if an optional network card is installed. |

Standard Network or Network [x] menus

Note: Only active ports appear in this menu; all inactive ports are omitted.

| Menu item | Description |
|-------------------------------------|---|
| PCL SmartSwitch On Off | Sets the printer to automatically switch to PCL emulation when a print job requires it, regardless of the default printer language Notes: <ul style="list-style-type: none"> • On is the factory default setting. • When Off is used, the printer does not examine incoming data. The printer uses PostScript emulation if PS SmartSwitch is set to On. It uses the default printer language specified in the Setup menu if PS SmartSwitch is set to Off. |
| PS SmartSwitch On Off | Sets the printer to automatically switch to PS emulation when a print job requires it, regardless of the default printer language Notes: <ul style="list-style-type: none"> • On is the factory default setting. • When Off is used, the printer does not examine incoming data. The printer uses PCL emulation if PCL SmartSwitch is set to On. It uses the default printer language specified in the Setup menu if PCL SmartSwitch is set to Off. |
| NPA Mode Auto Off | Sets the printer to perform the special processing required for bidirectional communication following the conventions defined by the NPA protocol Notes: <ul style="list-style-type: none"> • Auto is the factory default setting. • Changing this setting from the printer control panel and then exiting the menus causes the printer to restart. The menu selection is then updated. |

| Menu item | Description |
|---|---|
| Network Buffer Auto 3KB to [maximum size allowed] | Sets the size of the network input buffer Notes: <ul style="list-style-type: none"> • Auto is the factory default setting. • The value can be changed in 1-KB increments. • The maximum size allowed depends on the amount of memory in the printer, the size of the other link buffers, and whether Resource Save is set to On or Off. • To increase the maximum size range for the Network Buffer, disable or reduce the size of the parallel, serial, and USB buffers. • Changing this setting from the printer control panel and then exiting the menus causes the printer to restart. The menu selection is then updated. |
| Job Buffering Off On Auto | Temporarily stores print jobs on the printer hard disk before printing. This menu only appears if a formatted disk is installed. Notes: <ul style="list-style-type: none"> • Off is the factory default setting. • On buffers print jobs on the printer hard disk. • Auto buffers print jobs only if the printer is busy processing data from another input port. • Changing this setting from the printer control panel and then exiting the menus causes the printer to restart. The menu selection is then updated. |
| Mac Binary PS Auto On Off | Sets the printer to process Macintosh binary PostScript print jobs Notes: <ul style="list-style-type: none"> • Auto is the factory default setting. • Off filters print jobs using the standard protocol. • On processes raw binary PostScript print jobs. |
| Standard Network Setup Reports Network Card TCP/IP IPv6 Wireless AppleTalk Network [x] Setup Reports Network Card TCP/IP IPv6 Wireless AppleTalk | Displays and sets the printer network settings. Note: The Wireless menu appears only when the printer is connected to a wireless network. |

Network Reports menu

This menu is available from the Network/Ports menu:

Network/Ports > Standard Network or **Network [x] > Standard Network Setup** or **Network Setup > Reports** or **Network Reports**

| Menu item | Description |
|-------------------------|---|
| Print Setup Page | Prints a report containing information about the network printer settings, such as the TCP/IP address |

Network Card menu

This menu is available from the Network/Ports menu:

Network/Ports > Standard Network or **Network [x] > Standard Network Setup** or **Network [x] Setup > Network Card**

| Menu item | Description |
|--|--|
| View Card Status Connected Disconnected | Lets you view the connection status of the Network Card |
| View Card Speed | Lets you view the speed of a currently active network card |
| Network Address UAA LAA | Lets you view the network addresses |
| Job Timeout 0 10–225 | Sets the amount of time in seconds before a network print job is canceled Note: 90 seconds is the factory default setting. |
| Banner Page Off On | Allows the printer to print a banner page Note: Off is the factory default setting. |

TCP/IP menu

This menu is available from the Network/Ports menu:

Network/Ports > Standard Network or **Network [x] > Standard Network Setup** or **Network [x] Setup > TCP/IP**

Note: This menu is available only in network models or printers attached to print servers.

| Menu item | Description |
|------------------------------|---|
| Activate On Off | Activates TCP/IP Note: On is the factory default setting. |
| Set Hostname | Lets you set the current TCP/IP hostname Note: This can be changed only from the Embedded Web Server. |

| Menu item | Description |
|--|--|
| IP Address | Lets you view or change the current TCP/IP address Note: Manually setting the IP address sets the Enable DHCP and Enable Auto IP settings to Off. It also sets Enable BOOTP and Enable RARP to Off on systems that support BOOTP and RARP. |
| Netmask | Lets you view or change the current TCP/IP netmask |
| Gateway | Lets you view or change the current TCP/IP gateway |
| Enable DHCP On Off | Specifies the DHCP address and parameter assignment setting Note: On is the factory default setting. |
| Enable RARP On Off | Specifies the RARP address assignment setting Note: On is the factory default setting. |
| Enable BOOTP On Off | Specifies the BOOTP address assignment setting Note: On is the factory default setting. |
| Enable AutoIP Yes No | Specifies the Zero Configuration Networking setting Note: Yes is the factory default setting. |
| Enable FTP/TFTP Yes No | Enables the built-in FTP server, which allows you to send files to the printer using File Transfer Protocol. Note: Yes is the factory default setting. |
| Enable HTTP Server Yes No | Enables the built-in web server (Embedded Web Server). When enabled, the printer can be monitored and managed remotely using a web browser. Note: Yes is the factory default setting. |
| WINS Server Address | Lets you view or change the current WINS server address |
| Enable DDNS Yes No | Lets you view or change the current DDNS setting Note: Yes is the factory default setting. |
| Enable mDNS Yes No | Lets you view or change the current mDNS setting Note: Yes is the factory default setting. |
| DNS Server Address | Lets you view or change the current DNS server address |
| Enable HTTPS Yes No | Lets you view or change the current HTTPS setting Note: Yes is the factory default setting. |

IPv6 menu

This menu is available from the Network/Ports menu:

Network/Ports > Standard Network or Network [x] > Standard Network Setup or Network [x] Setup > IPv6

Note: This menu is available only for network models or printers attached to print servers.

| Menu item | Description |
|--|--|
| Enable IPv6 On Off | Enables IPv6 in the printer Note: On is the factory default setting. |
| Auto Configuration On Off | Specifies whether the network adapter accepts the automatic IPv6 address configuration entries provided by a router Note: On is the factory default setting. |
| Set Hostname | Lets you set the hostname |
| View Address | Note: These settings can be changed only from the Embedded Web Server. |
| View Router Address | |
| Enable DHCPv6 On Off | Enables DHCPv6 in the printer Note: On is the factory default setting. |

Wireless menu

Use the following menu items to view or configure the wireless internal print server settings.

Note: This menu is available only for models connected to a wireless network.

The Wireless menu is available from the Network/Ports menu:

Network/Ports > Standard Network or Network [x] > Standard Network Setup or Network [x] Setup > Wireless

| Menu item | Description |
|---|--|
| WPS PBC Mode | Lets you connect the printer to a wireless network by pressing buttons on both the printer and the access point (wireless router) within a given period of time |
| WPS PIN Mode | Lets you connect the printer to a wireless network by using a PIN on the printer and entering it into the wireless settings of the access point |
| WPS Auto Detect Disable Enable | Automatically detects the connection method that an access point with WPS uses— WPS Push Button Configuration (PBC) or WPS Personal Identification Number (PIN) Note: Disable is the factory default setting. |
| Network Mode Ad hoc Infrastructure | Specifies the network mode Notes: <ul style="list-style-type: none"> • Ad hoc is the factory default setting. This configures wireless connection directly between the printer and a computer. • Infrastructure lets the printer access a network using an access point. |

| Menu item | Description |
|---|--|
| Compatibility 802.11b/g/n 802.11n 802.11b/g | Specifies the wireless standard for the wireless network Note: The 802.11b/g/n is the factory default setting. |
| Choose Network [list of available networks] | Lets you select an available network for the printer to use |
| View Signal Quality | Lets you view the quality of the wireless connection |
| View Security Mode | Lets you view the encryption method that a wireless network uses |

Note: *Wi-Fi Protected Setup (WPS)* is a simple and secure configuration that allows you to establish a wireless network and enable network security without requiring prior knowledge of Wi-Fi technology. It is no longer necessary to configure the network name (SSID) and WEP key or WPA passphrase for network devices.

AppleTalk menu

This menu is available from the Network/Ports menu:

Network/Ports > Standard Network or **Network [x] > Standard Network Setup** or **Network [x] Setup > AppleTalk**

| Menu item | Description |
|--|---|
| Activate Yes No | Activates AppleTalk support Note: Yes is the factory default setting. |
| View Name | Shows the assigned AppleTalk name Note: The name can be changed only from the Embedded Web Server. |
| View Address | Shows the assigned AppleTalk address Note: The address can be changed only from the Embedded Web Server. |
| Set Zone [default] [list of zones available on the network] | Provides a list of AppleTalk zones available on the network Note: When "default" is selected, the printer uses the AppleTalk zone that the router identifies as the default zone for the network. If no default zone exists, then the zone marked with an * is the default setting. |

Standard USB menu

| Menu item | Description |
|-------------------------------------|--|
| PCL SmartSwitch On Off | Sets the printer to automatically switch to PCL emulation when a print job received through a USB port requires it, regardless of the default printer language Notes: <ul style="list-style-type: none"> On is the factory default setting. When set to Off, the printer does not examine incoming data. The printer uses PostScript emulation if the PS SmartSwitch is set to On. It uses the default printer language specified in the Setup menu if the PS SmartSwitch is set to Off. |

| Menu item | Description |
|--|---|
| PS SmartSwitch On Off | Sets the printer to automatically switch to PS emulation when a print job received through a USB port requires it, regardless of the default printer language Notes: <ul style="list-style-type: none"> • On is the factory default setting. • When set to Off, the printer does not examine incoming data. The printer uses PCL emulation if the PCL SmartSwitch is set to On. It uses the default printer language specified in the Setup menu if the PCL SmartSwitch is set to Off. |
| NPA Mode Auto On Off | Sets the printer to perform the special processing required for bidirectional communication following the conventions defined by the NPA protocol Notes: <ul style="list-style-type: none"> • Auto is the factory default setting. Auto sets the printer to examine data, determine the format, and then process it appropriately. • Changing this setting from the printer control panel and then exiting the menus causes the printer to restart. The menu selection is then updated. |
| USB Buffer Auto 3KB to [maximum size allowed] Disabled | Sets the size of the USB input buffer Notes: <ul style="list-style-type: none"> • Auto is the factory default setting. • Disabled turns off job buffering. Any jobs already buffered on the printer hard disk are printed before normal processing resumes. • The USB buffer size value can be changed in 1-KB increments. • The maximum size allowed depends on the amount of memory in the printer, the size of the other link buffers, and whether Resource Save is set to On or Off. • To increase the maximum size range for the USB Buffer, disable or reduce the size of the parallel, serial, and network buffers. • Changing this setting from the printer control panel and then exiting the menus causes the printer to restart. The menu selection is then updated. |
| Job Buffering Off On Auto | Temporarily stores print jobs on the printer hard disk before printing Notes: <ul style="list-style-type: none"> • Off is the factory default setting. • On buffers jobs on the printer hard disk. • Auto buffers print jobs only if the printer is busy processing data from another input port. • Changing this setting from the printer control panel and then exiting the menus causes the printer to restart. The menu selection is then updated. |
| Mac Binary PS Auto On Off | Sets the printer to process Macintosh binary PostScript print jobs Notes: <ul style="list-style-type: none"> • Auto is the factory default setting. • On processes raw binary PostScript print jobs. • Off filters print jobs using the standard protocol. |

| Menu item | Description |
|---------------------------------------|---|
| ENA Address YYY.YYY.YYY.YYY | Sets the network address information for an external print server Note: This menu item is available only if the printer is attached to an external print server through the USB port. |
| ENA Netmask YYY.YYY.YYY.YYY | Sets the netmask information for an external print server Note: This menu item is available only if the printer is attached to an external print server through the USB port. |
| ENA Gateway YYY.YYY.YYY.YYY | Sets the gateway information for an external print server Note: This menu item is available only if the printer is attached to an external print server through the USB port. |

Parallel [x] menu

| Menu item | Description |
|--------------------------------------|---|
| PCL SmartSwitch On Off | Sets the printer to automatically switch to PCL emulation when a print job received through a serial port requires it, regardless of the default printer language Notes: <ul style="list-style-type: none"> • On is the factory default setting. • When set to Off, the printer does not examine incoming data. The printer uses PostScript emulation if PS SmartSwitch is set to On. It uses the default printer language specified in the Setup menu if PS SmartSwitch is set to Off. |
| PS SmartSwitch On Off | Sets the printer to automatically switch to PS emulation when a print job received through a serial port requires it, regardless of the default printer language Notes: <ul style="list-style-type: none"> • On is the factory default setting. • When set to Off, the printer does not examine incoming data. The printer uses PCL emulation if PCL SmartSwitch is set to On. It uses the default printer language specified in the Setup menu if PCL SmartSwitch is set to Off. |
| NPA Mode Auto On Off | Sets the printer to perform the special processing required for bidirectional communication following the conventions defined by the NPA protocol Notes: <ul style="list-style-type: none"> • Auto is the factory default setting. • Changing this setting from the printer control panel and then exiting the menus causes the printer to restart. The menu selection is then updated. |

| Menu item | Description |
|---|---|
| Parallel Buffer Auto 3KB to [maximum size allowed] Disabled | Sets the size of the parallel input buffer Notes: <ul style="list-style-type: none"> • Auto is the factory default setting. • Disabled turns off job buffering. Any print jobs already buffered on the printer hard disk are printed before normal processing resumes. • The parallel buffer size setting can be changed in 1-KB increments. • The maximum size allowed depends on the amount of memory in the printer, the size of the other link buffers, and whether Resource Save is set to On or Off. • To increase the maximum size range for the Parallel Buffer, disable or reduce the size of the USB, serial, and network buffers. • Changing this setting from the printer control panel and then exiting the menus causes the printer to restart. The menu selection is then updated. |
| Job Buffering Off On Auto | Temporarily stores print jobs on the printer hard disk before printing Notes: <ul style="list-style-type: none"> • Off is the factory default setting. • On buffers print jobs on the printer hard disk. • Auto buffers print jobs only if the printer is busy processing data from another input port. • Changing this setting from the printer control panel and then exiting the menus causes the printer to restart. The menu selection is then updated. |
| Advanced Status On Off | Enables bidirectional communication through the parallel port Notes: <ul style="list-style-type: none"> • On is the factory default setting. • Off disables parallel port negotiation. |
| Protocol Fastbytes Standard | Specifies the parallel port protocol Notes: <ul style="list-style-type: none"> • Fastbytes is the factory default setting. It provides compatibility with most existing parallel ports and is the recommended setting. • Standard tries to resolve parallel port communication problems. |
| Honor Init Off On | Determines if the printer honors printer hardware initialization requests from the computer Notes: <ul style="list-style-type: none"> • Off is the factory default setting. • The computer requests initialization by activating the Init signal from the parallel port. Many personal computers activate the Init signal each time the computer is turned on. |
| Parallel Mode 2 On Off | Determines if the parallel port data is sampled on the leading or trailing edge of a strobe Note: On is the factory default setting. |

| Menu item | Description |
|---|---|
| Mac Binary PS Auto On Off | Sets the printer to process Macintosh binary PostScript print jobs Notes: <ul style="list-style-type: none"> • Auto is the factory default setting. • Off filters print jobs using the standard protocol. • On processes raw binary PostScript print jobs. |
| ENA Address YYY.YYY.YYY.YYY | Sets the network address information for an external print server Note: This menu item is available only if the printer is attached to an external print server through the USB port. |
| ENA Netmask YYY.YYY.YYY.YYY | Sets the netmask information for an external print server Note: This menu item is available only if the printer is attached to an external print server through the USB port. |
| ENA gateway YYY.YYY.YYY.YYY | Sets the gateway information for an external print server Note: This menu item is available only if the printer is attached to an external print server through the USB port. |

Serial [x] menu

| Menu item | Description |
|-------------------------------------|---|
| PCL SmartSwitch On Off | Sets the printer to automatically switch to PCL emulation when a print job received through a serial port requires it, regardless of the default printer language Notes: <ul style="list-style-type: none"> • On is the factory default setting. • When set to Off, the printer does not examine incoming data. The printer uses PostScript emulation if PS SmartSwitch is set to On. It uses the default printer language specified in the Setup menu if PS SmartSwitch is set to Off. |
| PS SmartSwitch On Off | Sets the printer to automatically switch to PS emulation when a print job received through a serial port requires it, regardless of the default printer language Notes: <ul style="list-style-type: none"> • On is the factory default setting. • When set to Off, the printer does not examine incoming data. The printer uses PCL emulation if PCL SmartSwitch is set to On. It uses the default printer language specified in the Setup menu if PCL SmartSwitch is set to Off. |

| Menu item | Description |
|---|--|
| NPA Mode Auto On Off | Sets the printer to perform the special processing required for bidirectional communication following the conventions defined by the NPA protocol Notes: <ul style="list-style-type: none"> • Auto is the factory default setting. Auto sets the printer to examine data, determine the format, and then processes it appropriately. • When set to On, the printer performs NPA processing. If the data is not in NPA format, it is rejected as bad data. • When set to Off, the printer does not perform NPA processing. • Changing this setting from the printer control panel and then exiting the menus causes the printer to restart. The menu selection is then updated. |
| Serial Buffer Auto 3KB to [maximum size allowed] Disabled | Sets the size of the serial input buffer Notes: <ul style="list-style-type: none"> • Auto is the factory default setting. • Disabled turns off job buffering. Any jobs already buffered on the disk are printed before normal processing is resumed. • The serial buffer size setting can be changed in 1-KB increments. • The maximum size allowed depends on the amount of memory in the printer, the size of the other link buffers, and whether Resource Save is set to On or Off. • To increase the maximum size range for the Serial Buffer, disable or reduce the size of the parallel, serial, and network buffers. • Changing this setting from the printer control panel and then exiting the menus causes the printer to restart. The menu selection is then updated. |
| Job Buffering Off On Auto | Temporarily stores print jobs on the printer hard disk before printing Notes: <ul style="list-style-type: none"> • Off is the factory default setting. The printer does not buffer print jobs on the printer hard disk. • On buffers print jobs on the printer hard disk. • Auto buffers print jobs only if the printer is busy processing data from another input port. • Changing this setting from the printer control panel and then exiting the menus causes the printer to restart. The menu selection is then updated. |
| Protocol DTR DTR/DSR XON/XOFF XON/XOFF/DTR XONXOFF/DTRDSR | Selects the hardware and software handshaking settings for the serial port Notes: <ul style="list-style-type: none"> • DTR is the factory default setting. • DTR/DSR is a hardware handshaking setting. • XON/XOFF is a software handshaking setting. • XON/XOFF/DTR and XON/XOFF/DTR/DSR are combined hardware and software handshaking settings. |

| Menu item | Description |
|--|---|
| Robust XON Off On | Determines whether the printer communicates availability to the computer Notes: <ul style="list-style-type: none"> Off is the factory default setting. This menu item applies only to the serial port if Serial Protocol is set to XON/XOFF. |
| Baud 9600 19200 38400 57600 115200 138200 172800 230400 345600 1200 2400 4800 | Specifies the rate at which data can be received through the serial port Notes: <ul style="list-style-type: none"> 9600 is the factory default setting. 138200, 172800, 230400, and 345600 baud rates are only displayed in the Standard Serial menu. These settings do not appear in the Serial Option 1, Serial Option 2, or Serial Option 3 menus. |
| Data Bits 8 7 | Specifies the number of data bits sent in each transmission frame Note: 8 is the factory default setting. |
| Parity None Ignore Even Odd | Sets the parity for serial input and output data frames Note: None is the factory default setting. |
| Honor DSR Off On | Determines whether the printer uses the DSR Signal Notes: <ul style="list-style-type: none"> Off is the factory default setting. DSR is a handshaking signal used by most serial cables. The serial port uses DSR to distinguish data sent by the computer from data created by electrical noise in the serial cable. The electrical noise can cause stray characters to print. Set this to On to prevent stray characters from printing. |

SMTP Setup menu

| Menu item | Description |
|------------------------------------|---|
| Primary SMTP Gateway | Specifies SMTP server gateway and port information Note: 25 is the default SMTP gateway port. |
| Primary SMTP Gateway Port | |
| Secondary SMTP Gateway | |
| Secondary SMTP Gateway Port | |

| Menu item | Description |
|---|---|
| SMTP Timeout 5–30 | Specifies the amount of time in seconds before the server stops trying to send an e-mail Note: 30 seconds is the factory default setting. |
| Reply Address | Specifies a reply address of up to 128 characters in the e-mail sent by the printer |
| Use SSL Disabled Negotiate Required | Sets the printer to use SSL for increased security when connecting to the SMTP server Notes: <ul style="list-style-type: none"> • Disabled is the factory default setting. • When the Negotiate setting is used, the SMTP server determines if SSL will be used. |
| SMTP Server Authentication No authentication required Login/Plain CRAM-MD5 Digest-MD5 NTLM Kerberos 5 | Specifies the type of user authentication required for scan to e-mail privileges Note: “No authentication required” is the factory default setting. |
| Device-Initiated E-mail None Use Device SMTP Credentials | Specifies what credentials will be used when communicating to the SMTP server. Some SMTP servers require credentials to send an e-mail. Notes: <ul style="list-style-type: none"> • None is the factory default setting for Device and User-Initiated E-mail. • Device Userid and Device Password are used to log in to the SMTP server when Use Device SMTP Credentials is selected. |
| User-Initiated E-mail None Use Device SMTP Credentials Use Session User ID & Password Use Session E-mail address & Password Prompt User | |
| Device Userid | |
| Device Password | |
| Kerberos 5 Realm | |
| NTLM Domain | |

Security menu

Editing Security Setups menu

| Menu item | Description |
|-----------------------------|--|
| Edit Backup Password | Creates a backup password Note: This menu item will only appear if a backup password exists. |

| Menu item | Description |
|--------------------------------|--|
| Edit Building Blocks | Edits the Internal Accounts, NTLM, various Setups, Password, and PIN |
| Edit Security Templates | Adds or edits a Security Template |
| Edit Access Controls | Controls access to printer menus, firmware updates, held jobs, and other access points |

Miscellaneous Security Settings menu

| Menu item | Description |
|--|---|
| Login Restrictions Login failures Failure time frame Lockout time Panel Login Timeout Remote Login Timeout | Limits the number and time frames of failed login attempts from the printer control panel before <i>all</i> users are locked out Notes: <ul style="list-style-type: none"> • “Login failures” specifies the number of failed login attempts before users are locked out. Settings range from 1–10 attempts is the factory default setting. • “Failure time frame” specifies the time frame during which failed login attempts can be made before users are locked out. Settings range from 1–60 minutes. 5 minutes is the factory default setting. • “Lockout time” specifies how long users are locked out after exceeding the login failures limit. Settings range from 1–60 minutes. 5 minutes is the factory default setting. 1 indicates the printer does not impose a lockout time. • “Panel Login Timeout” specifies how long the printer remains idle on the Home screen before automatically logging the user off. Settings range from 1–900 seconds. 30 seconds is the factory default setting. • “Remote Login Timeout” specifies how long a remote interface remains idle before automatically logging the user off. Settings range from 1–120 seconds. 10 minutes is the factory default setting. |
| Security Reset Jumper Access controls=“No Security” No Effect Reset factory security defaults | Changes the value of the security settings Notes: <ul style="list-style-type: none"> • Access controls=“No Security” retains all the security information that the user has defined. “No Security” is the factory default setting. • “No Effect” means the reset has no effect on the device’s security configuration. • “Reset factory security defaults” deletes all security information that the user has defined, and assigns the factory default value to each setting in the Miscellaneous Security Settings section of both the panel and the Web page. |

| Menu item | Description |
|---|---|
| LDAP Certificate Verification Demand Try Allow Never | Allows the user to request a server certificate Notes: <ul style="list-style-type: none"> • “Demand” means a server certificate is requested. If a bad certificate is provided or if no certificate is provided, the session is terminated immediately. “Demand” is the factory default setting. • “Try” means a server certificate is requested. If no certificate is provided, the session proceeds normally. If a bad certificate is provided, the session is terminated immediately. • “Allow” means a server certificate is requested. If no certificate is provided, the session proceeds normally. If a bad certificate is provided, it will be ignored and the session proceeds normally. • “Never” means no server certificate is requested. |
| Minimum PIN Length 1–16 | Limits the digit length of the PIN. Note: 4 is the is the factory default setting. |

Confidential Print menu

| Menu item | Description |
|--|---|
| Max Invalid PIN Off 2–10 | Limits the number of times an invalid PIN can be entered Notes: <ul style="list-style-type: none"> • This menu appears only if a formatted, non-defective printer hard disk is installed. • Once the limit is reached, the print job for that user name and that PIN are deleted. |
| Confidential Job Expiration Off 1 hour 4 hours 24 hours 1 week | Limits the amount of time a confidential print job stays in the printer before it is deleted Notes: <ul style="list-style-type: none"> • If the Job Expiration setting is changed while confidential print jobs reside on the printer RAM or printer hard disk, then the expiration time for those print jobs does not change to the new default value. • If the printer is turned off, then all confidential jobs held in printer RAM are deleted. |
| Repeat Job Expiration Off 1 hour 4 hours 24 hours 1 week | Sets a time limit on how long the printer stores print jobs |
| Verify Job Expiration Off 1 hour 4 hours 24 hours 1 week | Sets a time limit on how long the printer stores print jobs needing verification |
| Note: Off is the factory default setting. | |

| Menu item | Description |
|---|--|
| Reserve Job Expiration Off 1 hour 4 hours 24 hours 1 week | Sets a time limit on how long the printer stores print jobs for printing at a later time |
| Note: Off is the factory default setting. | |

Disk Wiping menu

Disk Wiping erases *only* print job data on the printer hard disk that *are not* currently in use by the file system. All permanent data on the printer hard disk are preserved, such as downloaded fonts, macros, and held jobs.

Note: This menu appears only when a formatted, non-defective printer hard disk is installed.

| Menu item | Description |
|---|--|
| Wiping Mode Auto Manual Off | Specifies the mode for disk wiping Note: Auto is the factory default setting. The printer determines when to initiate a disk wipe. |
| Scheduled Wiping Time Day | Sets the schedule for disk wiping Notes: <ul style="list-style-type: none"> • Time is used to set the time for scheduled wiping. • Day is used to set the specific day or period for scheduled wiping. Values are Sunday to Friday, Everyday, Weekdays, and Weekends. • Scheduled wipes are initiated <i>without</i> displaying a user warning or confirmation message. • Both manual and scheduled wiping allow the file system to reuse marked disk space without first having to wipe it. |
| Manual Wiping Do not start now Start now | Overwrites all disk space that has been used to hold data from a print job that has been processed (printed). This type of wipe <i>does not</i> erase any information related to an unprocessed print job. Notes: <ul style="list-style-type: none"> • “Do not start now “is the factory default setting. • If the Disk Wiping access control is activated, then a user must successfully authenticate and have the required authorization in order to initiate the disk wipe. |

| Menu item | Description |
|---|---|
| Automatic Method Single pass Multiple pass | Marks all disk space used by a previous print job and does not permit the file system to reuse this space until it has been cleared Notes: <ul style="list-style-type: none"> • “Single pass” is the factory default setting. • Only automatic wiping enables users to activate disk wiping without having to turn the printer off for an extended amount of time. • Highly confidential information should be wiped using <i>only</i> the Multiple pass method. |
| Manual Method Single pass Multiple pass | Allows the file system to reuse marked disk space without having to wipe it first Notes: <ul style="list-style-type: none"> • “Single pass” is the factory default setting. • Highly confidential information should be wiped using the Multiple pass method <i>only</i>. |
| Scheduled Method Single pass Multiple pass | Allows the file system to reuse marked disk space without having to wipe it first Note: “Single pass” is the factory default setting. |

Security Audit Log menu

| Menu item | Description |
|--------------------------------|---|
| Export Log | Enables an authorized user to export the security log Notes: <ul style="list-style-type: none"> • To export the log from the printer control panel, a flash drive must be attached to the printer. • From the Embedded Web Server, the log can be downloaded to a computer. |
| Delete Log Yes No | Specifies whether audit logs are deleted Note: Yes is the factory default setting. |

| Menu item | Description |
|--|--|
| Configure Log Enable Audit Enable Remote Syslog Remote Syslog Server Remote Syslog Port Remote Syslog Method Remote Syslog Facility Log full behavior Admin's e-mail address Digitally sign exports Severity of events to log Remote Syslog non-logged events E-mail log cleared alert E-mail log wrapped alert E-mail % full alert % full alert level E-mail log exported alert E-mail log settings changed alert Log line endings | Specifies whether and how the audit logs are created Note: Factory default settings enable the security audit log. |

Set Date and Time menu

| Menu item | Description |
|--|---|
| Current Date and Time | Lets you view the current date and time settings for the printer |
| Manually Set Date and Time | Note: Date/Time is set in YYYY-MM-DD HH:MM:SS format. |
| Time Zone | Note: GMT is the factory default setting. |
| Automatically Observe DST On Off | Note: On is the factory default setting and uses the applicable Daylight Saving Time associated with the Time Zone setting. |
| Custom Time Zone Setup DST Start Week DST Start DayOff DST Start Month DST Start Time DST End Week DST End Day DST End Month DST End Time DST Offset | Enables the user to set up the time zone |
| Enable NTP On Off | Enables Network Time Protocol, which synchronizes the clocks of devices on a network Note: On is the factory default setting. |

| Menu item | Description |
|---|---|
| NTP Server | Lets you view the NTP Server Address |
| Enable Authentication Off On | Lets you change the authentication setting to on or off Note: Off is the factory default setting. |

Settings menu

General Settings menu

| Menu item | Description |
|--|--|
| Display Language English Francais Deutsch Italiano Espanol Dansk Norsk Nederlands Svenska Portuguese Suomi Russian Polski Greek Magyar Turkce Cesky Simplified Chinese Traditional Chinese Korean Japanese | Sets the language of the text appearing on the display Note: Some languages may not be available for all printers. |

| Menu item | Description |
|---|--|
| Eco-Mode Off Energy Energy/Paper Paper | Minimizes the use of energy, paper, or specialty media Notes: <ul style="list-style-type: none"> • Off is the factory default setting. Off resets the printer to its factory default settings. • Energy minimizes the power used by the printer. Performance may be affected, but print quality is not. • Energy/Paper minimizes the use of power, and of paper and specialty media. • Paper minimizes the amount of paper and specialty media needed for a print job. Performance may be affected, but print quality is not. |
| ADF Loaded Beep Enabled Disabled | Specifies whether the ADF sounds a beep when paper is loaded Note: Enabled is the factory default setting. |
| Quiet Mode Off On | Reduces the amount of noise produced by the printer Notes: <ul style="list-style-type: none"> • Off is the factory default setting. This setting supports the performance specifications of your printer. • On configures the printer to produce as little noise as possible. This setting is best suited for printing text and line art. • For optimal printing of color-rich documents, set Quiet Mode to Off. • Selecting Photo from the printer driver may disable Quiet Mode. This setting will provide better print quality and full speed printing. |
| Run Initial setup Yes No | Instructs the printer to run the setup wizard Notes: <ul style="list-style-type: none"> • Yes is the factory default setting. • After completing the setup wizard by selecting Done at the country or region selection screen, the default becomes No. |

| Menu item | Description |
|---|---|
| Keyboard Keyboard Type English Francais Francais Canadien Deutsch Italiano Espanol Greek Dansk Norsk Nederlands Svenska Suomi Portuguese Russian Polski Swiss German Swiss French Korean Magyar Turkish Czech Simplified Chinese Traditional Chinese Japanese Custom Key [x] | Specifies a language for the printer control panel virtual keyboard |
| Paper Sizes US Metric | Specifies the default paper measurements Notes: <ul style="list-style-type: none"> • Initial setting is determined by your country or region selection in the initial setup wizard. • Changing this setting also changes the default for each input source in the Paper Size/Type menu. |
| Scan to PC Port Range [port range] | Specifies a valid port range for printers behind a port blocking firewall. The valid ports are specified by two sets of numbers separated by a semicolon. Note: 9751:12000 is the factory default setting. |

| Menu item | Description |
|---|---|
| <p>Displayed Information</p> <ul style="list-style-type: none"> Left side Right side Custom Text [x] [x] Toner [x] Imaging Unit Fuser Transfer Module | <p>Specifies what is displayed on the upper left and right corners of the home screen</p> <p>For the Left side and Right side menus, select from the following options:</p> <ul style="list-style-type: none"> None IP Address Hostname Contact Name Location Date/Time mDNS/DDNS Service Name Zero Configuration Name Custom Text [x] Model Name <p>For the [x] Toner, [x] Imaging Unit, Fuser, and Transfer Module menus, choose from the following options:</p> <ul style="list-style-type: none"> When to display <ul style="list-style-type: none"> Do not display Display Message to Display <ul style="list-style-type: none"> Default Alternate Default <ul style="list-style-type: none"> [text entry] Alternate <ul style="list-style-type: none"> [text entry] <p>Notes:</p> <ul style="list-style-type: none"> • IP Address is the factory default setting for “Left side.” • Date/Time is the factory default setting for “Right side.” • “Do not display” is the factory default setting for “When to display.” • Default is the factory default setting for Message to Display. |

| Menu item | Description |
|---|---|
| <p>Displayed Information</p> <ul style="list-style-type: none"> Waste Toner Bottle Paper Jam Load Paper Service Errors | <p>Specifies what is displayed for Waste Toner Bottle, Paper Jam, Load Paper, and Service Errors. Available options for each button are:</p> <ul style="list-style-type: none"> Display <ul style="list-style-type: none"> No Yes Message to Display <ul style="list-style-type: none"> Default Alternate Default <ul style="list-style-type: none"> [text entry] Alternate <ul style="list-style-type: none"> [text entry] <p>Notes:</p> <ul style="list-style-type: none"> • No is the factory default setting for Display. • Default is the factory default setting for Message to Display. |
| <p>Home screen customization</p> <ul style="list-style-type: none"> Change Language Copy Copy shortcuts Fax Fax Shortcuts E-mail E-mail Shortcuts FTP FTP Shortcuts Search Held Jobs Held Jobs USB Drive Profiles and Solutions Bookmarks Jobs by user Forms and Favorites | <p>Lets you add or remove icons and buttons that appear on the home screen</p> <p>Available selections for each icon or button are:</p> <ul style="list-style-type: none"> Do not display Display |
| <p>Date Format</p> <ul style="list-style-type: none"> MM-DD-YYYY DD-MM-YYYY YYYY-MM-DD | <p>Specifies the format for the printer date</p> |
| <p>Time Format</p> <ul style="list-style-type: none"> 12 hour A.M./P.M. 24 hour clock | <p>Specifies the format for the printer time</p> <p>Note: 12 hour is the factory default setting.</p> |
| <p>Screen Brightness</p> <ul style="list-style-type: none"> 20–100 | <p>Specifies the brightness of the printer control panel display</p> <p>Note: 100 is the factory default setting.</p> |

| Menu item | Description |
|---|--|
| One Page Copy Off On | Sets copying from the scanner glass to only one page at a time Note: Off is the factory default setting. |
| Audio Feedback Button Feedback On Off Volume 1–10 | Sets the audio volume for the buttons Notes: <ul style="list-style-type: none"> • On is the factory default setting for Button Feedback. • 5 is the factory default setting for Volume. |
| Tactile Touchscreen Feedback On Off | Provides touch screen sensation feedback Note: On is the factory default setting. |
| Show Bookmarks Yes No | Specifies whether bookmarks are displayed from the Held Jobs area Note: Yes is the factory default setting. |
| Allow Background Removal On Off | Specifies whether image background is removed in copy, fax, e-mail, FTP, or scan-to-USB jobs Note: On is the factory default setting. |
| Allow Custom Job Scans On Off | Lets you scan multiple documents into one file Note: On is the factory default setting. If On is selected, the Allow Custom Job Scans setting can be enabled for specific jobs. |
| Scanner Jam Recovery Job level Page level | Specifies how a scan job should be reloaded if a paper jam occurs in the ADF Notes: <ul style="list-style-type: none"> • If “Job level” is selected, then the entire scan job must be scanned again if a paper jam occurs. • If “Page level” is selected, then only the jammed page forward must be scanned again. |
| Web Page Refresh Rate 30–300 | Specifies the number of seconds between Embedded Web Server refreshes Note: 120 seconds is the factory default setting. |
| Contact Name | Specifies a contact name for the printer Note: The contact name will be stored on the Embedded Web Server. |
| Location | Specifies the location of the printer Note: The location will be stored on the Embedded Web Server. |

| Menu item | Description |
|---|--|
| Alarms Alarm Control Cartridge Alarm | Sets an alarm to sound when the printer requires operator intervention Available options for each alarm type are: Single Continuous Off Notes: <ul style="list-style-type: none"> • Single is the factory default setting. Single sounds three quick beeps. • Continuous repeats three beeps every 10 seconds. • Off means no alarm will sound. |
| Timeouts Standby Mode 1–240 Disabled | Specifies the number of minutes of inactivity before the system enters a lower power state Note: 15 minutes is the factory default setting. |
| Timeouts Sleep Mode Disabled 1–240 min | Sets the amount of time the printer waits, after a print job is finished, before it goes into a reduced power state Notes: <ul style="list-style-type: none"> • 5 minutes is the factory default setting. • Lower settings conserve more energy, but may require longer warm-up times. • Select the lowest setting if the printer shares an electrical circuit with room lighting. • Select a high setting if the printer is in constant use. Under most circumstances, this keeps the printer ready to print with minimum warm-up time. |
| Timeouts Screen Timeout 15–300 sec | Sets the amount of time in seconds the printer waits before the printer displays Ready Note: 30 seconds is the factory default setting. |
| Timeouts Print Timeout Disabled 1–255 sec | Sets the amount of time in seconds the printer waits to receive an end-of-job message before canceling the remainder of the print job Notes: <ul style="list-style-type: none"> • 90 seconds is the factory default setting. • When the timer expires, any partially printed page still in the printer is printed, and then the printer checks to see if any new print jobs are waiting. • Print Timeout is available only when using PCL emulation. This setting has no effect on PostScript emulation print jobs. |

| Menu item | Description |
|---|---|
| Timeouts Wait Timeout Disabled 15–65535 sec | Sets the amount of time in seconds the printer waits for additional data before canceling a print job Notes: <ul style="list-style-type: none"> • 40 seconds is the factory default setting. • Wait Timeout is available only when the printer is using PostScript emulation. This setting has no effect on PCL emulation print jobs. |
| Timeouts Job Hold Timeout 5–255 sec | Sets the amount of time the printer waits for user intervention before it holds jobs that require unavailable resources and continues to process print jobs in the print queue Notes: <ul style="list-style-type: none"> • 30 seconds is the factory default setting. • This menu appears only when a printer hard disk is installed. |
| Print Recovery Auto Continue Disabled 5–255 | Lets the printer automatically continue printing from certain offline situations when not resolved within the specified time period Note: Disabled is the factory default setting. |
| Print Recovery Jam Recovery Auto On Off | Specifies whether the printer reprints jammed pages Notes: <ul style="list-style-type: none"> • Auto is the factory default setting. The printer reprints jammed pages unless the memory required to hold the pages is needed for other printer tasks. • On sets the printer to always reprint jammed pages. • Off sets the printer to never reprint jammed pages. |
| Print Recovery Page Protect Off On | Lets the printer successfully print a page that may not have printed otherwise Notes: <ul style="list-style-type: none"> • Off is the factory default setting. Off prints a partial page when there is not enough memory to print the whole page. • On sets the printer to process the whole page so that the entire page prints. |

| Menu item | Description |
|--|---|
| <p>Press Sleep Button</p> <ul style="list-style-type: none"> Sleep Hibernate Do Nothing | <p>Determines how the printer responds when pressing the Sleep button in Idle state</p> <p>Notes:</p> <ul style="list-style-type: none"> • Sleep is the factory default setting for Press Sleep Button. • Sleep or Hibernate sets the printer to operate at a lower power configuration. • If the printer is in Sleep Mode, then the touch screen appears off and the Sleep button turns amber in color. • Touch anywhere on the touch screen or press a button on the printer control panel to exit Sleep Mode. • If the printer is in Hibernate mode, then the touch screen is completely off and the Sleep button turns amber in color and blinks. |
| <p>Press and Hold Sleep Button</p> <ul style="list-style-type: none"> Do Nothing Sleep Hibernate | <p>Determines how the printer responds when pressing the Sleep button when the printer is idle</p> <p>Notes:</p> <ul style="list-style-type: none"> • Do Nothing is the factory default setting. • Sleep or Hibernate sets the printer to operate at a lower power configuration. • If the printer is in Sleep Mode, then the touch screen appears off and the Sleep button turns amber in color. • Press and hold the Sleep button for 3 seconds or longer to enter Hibernate mode. • Touch anywhere on the touch screen or press a button on the printer control panel to exit Sleep Mode. |
| <p>Factory Defaults</p> <ul style="list-style-type: none"> Do Not Restore Restore Now | <p>Returns the printer settings to the factory default settings</p> <p>Notes:</p> <ul style="list-style-type: none"> • Do Not Restore is the factory default setting. It keeps the user-defined settings. • Restore Now returns all printer settings to the factory default settings except Network/Ports menu settings. All downloads stored in RAM are deleted. Downloads stored in flash memory or on a printer hard disk are not affected. |

Copy Settings menu

| Menu item | Description |
|--|--|
| Content Type Text/Photo Photo Text Graphics | Specifies the content of the original document Note: Text/Photo is the factory default setting. |
| Content Source Color Laser Inkjet Photo/Film Magazine Newspaper Press Other Black and White Laser | Specifies how the original document was produced Note: Color Laser is the factory default setting. |
| Color On Off | Specifies whether or not copies are printed in color Note: On is the factory default setting. |
| Allow color copies On Off | Lets you enable or disable color in copying Notes: <ul style="list-style-type: none"> • On is the factory default setting. • Off will hide all color-specific menus. • This setting overrides the Color setting. |
| Sides (Duplex) 1 sided to 1 sided 1 sided to 2 sided 2 sided to 1 sided 2 sided to 2 sided | Specifies whether an original document is duplex (two-sided) or simplex (one-sided), and then specifies whether the copy should be duplex or simplex Notes: <ul style="list-style-type: none"> • 1 sided to 1 sided—The original page has printing on one side and the copied page will also have printing on one side. • 1 sided to 2 sided—The original page has printing on one side while the copied page will have printing on both sides. For example, if the original document is six sheets, the copy is three sheets with printing on both sides. • 2 sided to 1 sided—The original page has printing on both sides while the copied page will have printing on only one side. For example, if the original document is three sheets with an image on each side of each sheet, then the copy is six sheets with only one image on one side of each sheet. • 2 sided to 2 sided—The original page has printing on both sides and the copy mimics the original exactly. |

| Menu item | Description |
|--|--|
| Paper Saver Off 2 on 1 Portrait 2 on 1 Landscape 4 on 1 Portrait 4 on 1 Landscape | Allows copying two or four sheets of a document on one page Note: Off is the factory default setting. |
| Print Page Borders Off On | Specifies whether or not a border is printed on the page Note: Off is the factory default setting. |
| Collate On [1,2,1,2,1,2] Off [1,1,1,2,2,2] | Keeps the pages of a print job stacked in sequence when printing multiple copies Note: On is the factory default setting. |
| Original Size Letter Legal Executive Tabloid Folio Statement Universal 4 x 6 in. 3 x 5 in. Business Card ID Card Custom Scan Size [x] A3 A4 A5 Oficio (Mexico) A6 JIS B4 JIS B5 Book Original Auto Size Sense Mixed Sizes | Specifies the paper size of the original document Notes: <ul style="list-style-type: none"> • Letter is the US factory default setting. • A4 is the international factory default setting. |
| Copy To Source Tray [x] Auto Size Match Manual Feeder | Specifies the paper source for copy jobs Note: Tray 1 is the factory default setting. |
| Transparency Separators On Off | Places a sheet of paper between transparencies Note: On is the factory default setting. |

| Menu item | Description |
|---|---|
| Separator Sheets Off Between Copies Between Jobs Between Pages | Places a sheet of paper between pages, copies, or jobs Note: Off is the factory default setting. |
| Separator Sheet Source Tray [x] Manual Feeder | Specifies the separator sheet source Note: Tray 1 is the factory default setting. |
| Darkness 1–9 | Specifies the level of darkness for the copy job Note: 5 is the factory default setting. |
| Number of Copies 1–999 | Specifies the number of copies for the copy job Note: 1 is the factory default setting. |
| Header/Footer [Location] Off Date/Time Page number Custom text Print on All pages First page only All but first page Custom text | Specifies header/footer information and its location on the page For the location, choose from the following options: <ul style="list-style-type: none"> • Top left • Top middle • Top right • Bottom left • Bottom middle • Bottom right Notes: <ul style="list-style-type: none"> • Off is the factory default setting for [Location]. • “All pages” is the factory default setting for “Print on.” |
| Overlay Off Confidential Copy Draft Urgent Custom | Specifies the type of overlay printed on each page of the copy job Note: Off is the factory default setting. |
| Custom Overlay | Specifies the custom overlay text Note: A maximum of 64 characters is allowed. |
| Allow priority copies On Off | Allows interruption of a print job to copy a page or document Note: On is the factory default setting. |
| Custom Job scanning Off On | Lets you copy, in a single copy job, a document that contains mixed paper sizes Notes: <ul style="list-style-type: none"> • Off is the factory default setting. • This menu appears only if a valid printer hard drive is installed. |

| Menu item | Description |
|--|---|
| Allow Save as Shortcut On Off | Lets you save custom copy settings as shortcuts Note: On is the factory default setting. |
| Background Removal -4 to 4 | Adjusts the amount of background visible on a copy Note: 0 is the factory default setting. |
| Auto Center Off On | Lets you automatically center the content on the page Note: Off is the factory default setting. |
| Color Balance Cyan - Red Magenta - Green Yellow - Blue | Enables an equal balance of colors in the output |
| Color Dropout Color Dropout None Red Green Blue Default Red Threshold 0–255 Default Green Threshold 0–255 Default Blue Threshold 0–255 | Specifies which color to drop during copies, and how much to increase or decrease the dropout Notes: <ul style="list-style-type: none"> • None is the factory default setting for Color Dropout. • 128 is the factory default setting for each color threshold. |
| Contrast Best for content 0–5 | Specifies the contrast used for the copy job Note: Best for content is the factory default setting. |
| Mirror Image Off On | Creates a mirror image of the original document Note: Off is the factory default setting. |
| Negative Image Off On | Creates a negative image of the original document Note: Off is the factory default setting. |
| Shadow Detail -4 to 4 | Adjusts the amount of shadow detail visible on a copy Note: 0 is the factory default setting. |
| ADF Skew Fix Off On | Corrects slight skew in the scanned image Note: Off is the factory default setting |
| Scan edge to edge Off On | Specifies if the original document is scanned edge-to-edge Note: Off is the factory default setting. |

| Menu item | Description |
|---------------------------------|--|
| Sharpness 1–5 | Adjusts the amount of sharpness of a copy Note: 3 is the factory default setting. |
| Temperature -4 to 4 | Enables the user to specify “warm” or “cool” outputs. “Cool” values generate a bluer output than the default, while “warm” values generate a redder output than the default. |
| Sample Copy Off On | Creates a sample copy of the original document Note: Off is the factory default setting. |

Fax Settings menu

Fax Mode (Analog Fax Setup) menu

Analog Fax Setup mode sends the fax job by way of a telephone line.

General Fax Settings

| Menu item | Description |
|--|--|
| Fax Name or Station Name | Specifies the name of the fax in the printer |
| Fax Number or Station Number | Specifies the number assigned to the fax |
| Station ID Fax Name or Station Name Fax Number or Station Number | Specifies how the fax is identified |
| Enable Manual Fax Off On | Sets the printer to fax manually only, which requires a line splitter and a telephone handset Notes: <ul style="list-style-type: none"> • Use a regular telephone to answer an incoming fax job and to dial a fax number. • Touch #, and then 0 on the numeric keypad to go directly to the Manual Fax function. |
| Memory Use Equal Mostly sent All send All receive Mostly receive | Defines the allocation of non-volatile memory between sending and receiving fax jobs Notes: <ul style="list-style-type: none"> • Equal is the factory default setting. Equal splits the memory for sending and receiving fax jobs into equal amounts. • Mostly sent specifies that most of the memory is set to send fax jobs. • All send specifies that all the memory is set to send fax jobs. • All receive specifies that all the memory is set to receive fax jobs. • Mostly receive specifies that most of the memory is set to receive fax jobs. |
| Cancel Faxes Allow Don't Allow | Specifies whether or not the printer cancels fax jobs |

| Menu item | Description |
|---|---|
| Caller ID On Off Alternate | Specifies type of caller ID being used |
| Fax number masking Off From left From right | Specifies the direction from where digits are masked in an outgoing fax number Note: The number of characters masked is determined by the "Digits to mask" setting. |
| Digits to mask 0–58 | Specifies the number of digits to mask in an outgoing fax number |
| Fax Cover Page Fax Cover Page Off by default On by default Never use Always use Include to field On Off Include from field Off On From Include Message field Off On Message Include Logo Off On Include Footer [x] Footer [x] | Configures the fax cover page Note: "Off by default" is the factory default setting for all Fax Cover Page options. |

Fax Send Settings

| Menu item | Description |
|---|---|
| Resolution Standard Fine 200 dpi Super Fine 300 dpi Ultra Fine 600 dpi | Specifies quality in dots per inch (dpi). A higher resolution gives greater print quality, but increases the fax transmission time for outgoing faxes. Note: Standard is the factory default setting. |

| Menu item | Description |
|--|---|
| Original Size Mixed Sizes Letter Legal Executive Tabloid Folio Statement Universal 4 x 6 in. 3 x 5 in. Business Card Custom Scan Size [x] A3 A4 A5 Oficio (Mexico) A6 JIS B4 JIS B5 Book Original Auto Size Sense Mixed Sizes | Specifies the paper size of the original document Note: Mixed Sizes is the US factory default setting. A4 is the international factory default setting. |
| Sides (Duplex) Off Long edge Short edge | Specifies how text and graphics are oriented on a page Notes: <ul style="list-style-type: none"> • Off is the factory default setting. • Long edge assumes binding along the long edge of the page (left edge for portrait and top edge for landscape). • Short edge assumes binding along the short edge of the page (top edge for portrait and left edge for landscape). |
| Content Type Text Graphics Text/Photo Photo | Specifies the content of the original document Note: Text is the factory default setting. |
| Content Source Color Laser Inkjet Photo Film Magazine Newspaper Press Other Black and White Laser | Specifies how the original document was produced Note: Color Laser is the factory default setting. |

| Menu item | Description |
|--|---|
| Darkness 1–9 | Lightens or darkens the output Note: 5 is the factory default setting. |
| Dial Prefix | Lets you enter a dialing prefix, such as 99. A numeric entry field is provided. |
| Dialing Prefix Rules Prefix Rule [x] | Establishes a dialing prefix rule |
| Automatic Redial 0–9 | Specifies the number of times the printer tries to send the fax to a specified number Note: 5 is the factory default setting. |
| Redial Frequency 1–200 | Specifies the number of minutes between redials |
| Behind a PABX No Yes | Enables switchboard blind dialing without a dial tone |
| Enable ECM Yes No | Enables Error Correction Mode for fax jobs |
| Enable Fax Scans On Off | Lets you fax files that are scanned at the printer |
| Driver to fax Yes No | Allows the printer driver to send fax jobs |
| Allow Save as Shortcut On Off | Lets you save fax numbers as shortcuts in the printer |
| Dial Mode Tone Pulse | Specifies the dialing sound, either as a tone or a pulse |
| Max Speed 33600 2400 4800 9600 14400 | Specifies the maximum speed in baud at which faxes are sent |
| Custom Job scanning Off On | Lets you scan a document that contains mixed paper sizes into a single file |
| Scan Preview Off On | Specifies whether a preview will appear on the display for scan jobs |

| Menu item | Description |
|--|---|
| Background Removal -4 to 4 | Adjusts the amount of background visible on a scanned image Note: 0 is the factory default setting. |
| Color Balance Cyan - Red Magenta - Green Yellow - Blue | Enables an equal balance of colors in the scanned image |
| Color Dropout Color Dropout None Red Green Blue Default Red Threshold 0–255 Default Green Threshold 0–255 Default Blue Threshold 0–255 | Specifies which color to drop, and how much to increase or decrease the dropout Notes: <ul style="list-style-type: none"> • None is the factory default setting for Color Dropout. • 128 is the factory default setting for each color threshold. |
| Contrast Best for content 0–5 | Specifies the contrast in the scanned image Note: “Best for content” is the factory default setting. |
| Mirror Image Off On | Creates a mirror image of the original document Note: Off is the factory default setting. |
| Negative Image Off On | Creates a negative image of the original document Note: Off is the factory default setting. |
| Shadow Detail -4 to 4 | Adjusts the amount of shadow detail visible Note: 0 is the factory default setting. |
| ADF Skew Fix Off On | Corrects slight skew in the scanned image Note: Off is the factory default setting |
| Scan edge to edge Off On | Specifies if the original document is scanned edge-to-edge prior to faxing Note: Off is the factory default setting. |
| Sharpness 0–5 | Adjusts the sharpness of a fax Note: 3 is the factory default setting. |
| Temperature -4 to 4 | Enables the user to specify “warm” or “cool” outputs. “Cool” values generate a bluer output than the default while “warm” values generate a redder output than the default. |

| Menu item | Description |
|---|---|
| Enable Color Fax Scans Off by default On by default Never use Always use | Enables color faxing Note: "Off by default" is the factory default setting. |
| Auto Convert Color Faxes to Mono Faxes On Off | Converts all outgoing faxes to black and white Note: On is the factory default setting. |

Fax Receive Settings

| Menu item | Description |
|---|---|
| Enable Fax Receive On Off | Allows fax jobs to be received by the printer Note: On is the factory default setting. |
| Fax Job Waiting None Toner Toner and Supplies | Removes fax jobs that request specific unavailable resources from the print queue Note: None is the factory default setting. |
| Rings to Answer 1–25 | Specifies the number of rings before answering an incoming fax job Note: 3 is the factory default setting. |
| Auto Reduction On Off | Scales an incoming fax job so that it fits the size of the paper loaded in the designated fax source Note: On is the factory default setting. |
| Paper Source Auto Tray [x] Multi-Purpose Feeder | Specifies the paper source selected to supply paper for the printer to print an incoming fax |
| Sides (Duplex) Off On | Enables duplex printing (two-sided printing) for incoming fax jobs |
| Separator Sheets Off Before Job After Job | Enables the printer to include separator sheets for incoming fax jobs |
| Separator Sheet Source Tray [x] Manual Feeder | Specifies where the printer will pick the separator sheet |
| Fax Footer Off On | Prints the transmission information at the bottom of each page from a received fax Note: Off is the factory default setting. |

| Menu item | Description |
|--|--|
| Max Speed 33600 2400 4800 9600 14400 | Specifies the maximum speed in baud at which faxes are received |
| Fax Forwarding Print Print and Forward Forward | Enables forwarding of received faxes to another recipient |
| Forward to Fax E-mail FTP LDSS eSF | Specifies the type of recipient to which faxes will be forwarded Note: This menu is available only from the printer Embedded Web Server. |
| Forward to Shortcut | Lets you enter the shortcut number which matches the recipient type (Fax, E-mail, FTP, LDSS, or eSF) |
| Block No Name Fax Off On | Enables blocking of incoming faxes sent from devices with no station ID specified |
| Banned Fax List | Enables the list of banned fax numbers stored in the printer |
| Holding Faxes Held Fax Mode Off Always On Manual Scheduled Fax Holding Schedule | Enables fax holding all of the time or according to set schedule Note: Off is the factory default setting. |
| Enable Color Fax Receive On Off | Enables the device to receive fax in color |

Fax Log Settings

| Menu item | Description |
|--|---|
| Transmission Log Print log Do not print log Print only for error | Enables printing of a transmission log after each fax job |
| Receive Error Log Print Never Print on Error | Enables printing of a receive error log following a receive error |

| Menu item | Description |
|--|---|
| Auto Print Logs On Off | Enables automatic printing of fax logs Note: Logs print after every 200 fax jobs. |
| Log Paper Source Tray [x] Manual Feeder | Specifies the source of the paper used for printing logs |
| Logs Display Remote Fax Name or Remote Station Name Dialed Number | Specifies whether printed logs display the dialed number or the station name returned |
| Enable Job Log On Off | Enables access to the Fax Job log |
| Enable Call Log On Off | Enables access to the Fax Call log |

Speaker Settings

| Menu item | Description |
|--|--|
| Speaker Mode On until Connected Always On Always Off | Specifies the mode of the speaker. Notes: <ul style="list-style-type: none"> • “On until Connected” is the factory default setting. A sound is issued until the fax connection is made. • Always On turns the speaker on. • Always Off turns the speaker off. |
| Speaker Volume High Low | Controls the volume setting Note: High is the factory default setting. |
| Ringer Volume On Off | Controls the fax speaker ringer volume Note: On is the factory default setting. |

Answer On

| Menu item | Description |
|--|--|
| All Rings Single Ring Only Double Ring Only Triple Ring Only Single or Double Rings Only Single or Triple Rings Only Double or Triple Rings Only | Specifies ring patterns when device is answering calls Note: All Rings is the factory default setting. |

Fax Mode (Fax Server Setup) menu

Fax Server mode sends the fax job to a fax server for transmission.

Fax Server Setup

| Menu item | Description |
|---|--|
| To Format | Lets you enter the information using the virtual keyboard on the printer touch screen |
| Reply Address | |
| Subject | |
| Message | |
| SMTP Setup | Specifies SMTP setup information |
| Primary SMTP Gateway | Specifies SMTP server port information |
| Secondary SMTP Gateway | |
| Image Format PDF (.pdf) XPS (.xps) TIFF (.tif) | Specifies the image type for scan to fax |
| Content Type Text Text/Photo Graphics Photo | Specifies the content of the original document Note: Text is the factory default setting. |
| Content Source Color Laser Inkjet Photo/Film Magazine Newspaper Press Other | Specifies how the original document was produced Note: Color Laser is the factory default setting. |
| Fax Resolution Standard Fine 200 dpi Super Fine 300 dpi Ultra Fine 600 dpi | Specifies the resolution level for scan to fax |
| Darkness 1–9 | Lightens or darkens the output Note: 5 factory default setting. |
| Orientation Portrait Landscape | Specifies the orientation of the scanned image |

| Menu item | Description |
|---|---|
| Original Size Letter Legal Executive Tabloid Folio Statement Universal 4 x 6 in. 3 x 5 in. Business Card Custom Scan Size [x] A3 A4 A5 Oficio (Mexico) JIS B4 JIS B5 Book Original Auto Size Sense Mixed Sizes | Specifies the paper size of the document that is being scanned Note: Letter is the US factory default setting. A4 is the international factory default setting. |
| Use Multi-Page TIFF On Off | Provides a choice between single-page TIFF files and multiple-page TIFF files. For a multiple-page scan to fax job, either one TIFF file is created containing all the pages, or multiple TIFF files are created with one file for each page of the job. Notes: <ul style="list-style-type: none"> • On is the factory default setting. • This menu item applies to all scan functions. |
| Enable Analog Receive Off On | Enables analog fax receive Note: Off is the factory default setting. |

E-mail Settings menu

| Menu item | Description |
|--|--|
| E-mail Server Setup Subject Message Base file name | Specifies e-mail server information Notes: <ul style="list-style-type: none"> • The subject is limited to 255 characters. • The message is limited 512 characters. |

| Menu item | Description |
|---|--|
| E-mail Server Setup Send me a copy Never appears On by default Off by default Always On | Sends a copy of the e-mail back to the sender Note: “Never appears” is the factory default setting. |
| E-mail Server Setup Max E-mail size 0–65535 KB | Specifies the maximum e-mail size in kilobytes Note: E-mails above the specified size are not sent. |
| E-mail Server Setup Size error message | Sends a message when an e-mail is larger than the configured size limit |
| E-mail Server Setup Limit destinations | Specifies a domain name, such as a company domain name, and then limits e-mail destinations to that domain name only Notes: <ul style="list-style-type: none"> • E-mail can be sent only to the specified domain. • The limit is one domain. |
| E-mail Server Setup Web Link Setup Server Login Password Path Base file name Web Link | Defines the e-mail server path name; for example: /directory/path Note: The characters * : ? < > are invalid entries for a path name. |
| Format PDF (.pdf) Secure PDF TIFF (.tif) JPEG (.jpg) XPS (.xps) | Specifies the format of the scanned file Note: PDF (.pdf) is the factory default setting. |
| PDF Version 1.2–1.6 A–1a | Sets the version of the PDF file that will be scanned for e-mailing Note: 1.5 is the factory default setting. |
| Content Type Text/Photo Photo Text Graphics | Specifies the content of the original document Note: Text/Photo is the factory default setting. |

| Menu item | Description |
|--|---|
| Content Source Color Laser Inkjet Photo/Film Magazine Newspaper Press Other Black/White Laser | Specifies how the original document is produced Note: Color Laser is the factory default setting. |
| Color On Off | Specifies whether or not copies are printed in color Note: On is the factory default setting. |
| Resolution 150 dpi 200 dpi 300 dpi 400 dpi 600 dpi 75 dpi | Specifies the resolution of the scan in dots per inch Note: 150 dpi is the factory default setting. |
| Darkness 1–9 | Lightens or darkens the output Note: 5 is the factory default setting. |
| Orientation Portrait Landscape | Specifies the orientation of the scanned image Note: Portrait is the factory default setting. |

| Menu item | Description |
|---|---|
| Original Size Letter Legal Executive Tabloid Folio Statement Universal 4 x 6 in. 3 x 5 in. Business Card Custom Scan Size [x] A3 A4 A5 Oficio (Mexico) A6 JIS B4 JIS B5 Book Original Auto Size Sense Mixed Sizes | Specifies the paper size of the original document Notes: <ul style="list-style-type: none"> • A4 is the international factory default setting. • Letter is the US factory default setting. |
| Sides (Duplex) Off Long edge Short edge | Specifies how the text and graphics are oriented on the page Notes: <ul style="list-style-type: none"> • Off is the factory default setting. • Long edge assumes binding along the long edge of the page (left edge for portrait and top edge for landscape). • Short edge assumes binding along the short edge of the page (top edge for portrait and left edge for landscape). |
| JPEG Quality Best for content 5–90 | Sets the quality of a JPEG photo image in relation to file size and quality of the image Notes: <ul style="list-style-type: none"> • “Best for content” is the factory default setting. • 5 reduces the file size and quality of the image. • 90 provides the best image quality, but the file size is very large. • This menu setting applies to all scan functions. |
| Text Default 5–90 | Sets the quality of a text image in relation to file size and quality of the image Note: 75 is the factory default setting. |
| Text/Photo Default 5–90 | Sets the quality of a text or photo image in relation to file size and the quality of the image Note: 75 is the factory default setting. |
| Photo Default 5–90 | Sets the quality of a photo image in relation to file size and the quality of the image Note: 50 is the factory default setting. |

| Menu item | Description |
|--|---|
| E-mail images sent as Attachment Web Link | Specifies how the images will be sent Note: Attachment is the factory default setting. |
| Use Multi-Page TIFF On Off | Provides a choice between single-page TIFF files and multiple-page TIFF files. For a multiple-page scan-to-e-mail job, either one TIFF file is created containing all the pages, or multiple TIFF files are created with one file for each page of the job. Notes: <ul style="list-style-type: none"> • On is the factory default setting. • This menu setting applies to all scan functions. |
| Transmission Log Print log Do not print log Print only for error | Specifies whether or not the transmission log prints Note: Print log is the factory default setting. |
| Log Paper Source Tray [x] Manual Feeder | Specifies the paper source for printing e-mail logs Note: Tray 1 is the factory default setting. |
| E-mail Bit Depth 8 bit 1 bit | Enables the Text/Photo mode to produce smaller file sizes by using 1-bit images when Color is set to Off Note: 8 bit is the factory default setting. |
| Custom Job scanning Off On | Lets you copy, in a single copy job, a document that contains mixed paper sizes Note: Off is the factory default setting. |
| Scan Preview Off On | Specifies whether or not a preview will appear on the display for scan jobs Note: Off is the factory default setting. |
| Allow Save as Shortcut On Off | Lets you save e-mail addresses as shortcuts Notes: <ul style="list-style-type: none"> • On is the factory default setting. • When set to Off, the Save as Shortcut button does not appear on the e-mail Destination screen. |
| Background Removal -4 to 4 | Adjusts the amount of background visible on a scanned image Note: 0 is the factory default setting. |
| Color Balance Cyan - Red Magenta - Green Yellow - Blue | Enables an equal balance of colors in the output |

| Menu item | Description |
|--|---|
| Color Dropout Color Dropout None Red Green Blue Default Red Threshold 0–255 Default Green Threshold 0–255 Default Blue Threshold 0–255 | Specifies which color to drop during scanning, and how much to increase or decrease the dropout Notes: <ul style="list-style-type: none"> • None is the factory default setting for Color Dropout. • 128 is the factory default setting for each color threshold. |
| Contrast Best for content 0–5 | Specifies the contrast of the output Note: “Best for content” is the factory default setting. |
| Mirror Image Off On | Creates a mirror image of the original document Note: Off is the factory default setting. |
| Negative Image Off On | Creates a negative image of the original document Note: Off is the factory default setting. |
| Shadow Detail -4 to 4 | Adjusts the amount of shadow detail visible on a scanned image Note: 0 is the factory default setting. |
| ADF Skew Fix Off On | Corrects slight skew in the scanned image Note: Off is the factory default setting |
| Scan edge to edge Off On | Specifies whether the original document is scanned edge-to-edge Note: Off is the factory default setting. |
| Sharpness 1–5 | Adjusts the amount of sharpness on a scanned image Note: 3 is the factory default setting. |
| Temperature -4 to 4 | Enables the user to specify “warm” or “cool” outputs. “Cool” values generate a bluer output than the default while “warm” values generate a redder output than the default. |
| Use cc:/bcc: Off On | Enables the use of the cc: and bcc: fields Note: Off is the factory default setting. |

FTP Settings menu

| Menu item | Description |
|--|---|
| Format PDF (.pdf) Secure PDF (.pdf) TIFF (.tif) JPEG (.jpg) XPS (.xps) | Specifies the format of the FTP file Note: PDF (.pdf) is the factory default setting. |
| PDF Version 1.2–1.6 A–1a | Sets the version level of the PDF file for FTP Note: 1.5 is the factory default setting. |
| Content Type Text/Photo Photo Text Graphics | Specifies the content of the original document Note: Text/Photo is the factory default setting. |
| Content Source Color Laser Inkjet Photo/Film Magazine Newspaper Press Other Black and White Laser | Specifies how the original document was produced Note: Color Laser is the factory default setting. |
| Color On Off | Specifies whether or not copies are printed in color Note: On is the factory default setting. |
| Resolution 150 dpi 200 dpi 300 dpi 400 dpi 600 dpi 75 dpi | Specifies the quality of scanned images in dots per inch (dpi). Note: 150 dpi is the factory default setting. |
| Darkness 1–9 | Lightens or darkens the output Note: 5 is the factory default setting. |
| Orientation Portrait Landscape | Specifies the orientation of the scanned image Note: Portrait is the factory default setting. |

| Menu item | Description |
|---|--|
| Original Size Letter Legal Executive Tabloid Folio Statement Universal 4 x 6 in. 3 x 5 in. Business Card Custom Scan Size [x] A3 A4 A5 Oficio (Mexico) A6 JIS B4 JIS B5 Book Original Auto Size Sense Mixed Sizes | Specifies the paper size of the original document Notes: <ul style="list-style-type: none"> • A4 is the international factory default setting. • Letter is the US factory default setting. |
| Sides (Duplex) Off Long edge Short edge | Specifies how the text and graphics are oriented on the page Notes: <ul style="list-style-type: none"> • Off is the factory default setting. • Long edge assumes binding along the long edge of the page (left edge for portrait and top edge for landscape). • Short edge assumes binding along the short edge of the page (top edge for portrait and left edge for landscape). |
| JPEG Quality Best for content 5–90 | Sets the quality of a JPEG photo image in relation to file size and the quality of the image Notes: <ul style="list-style-type: none"> • “Best for content” is the factory default setting. • 5 reduces the file size, but the quality of the image is lessened. • 90 provides the best image quality, but the file size is very large. • This menu setting applies to all scan functions. |
| Text Default 5–90 | Sets the quality of the text in relation to file size and the quality of the image Note: 75 is the factory default setting. |
| Text/Photo Default 5–90 | Sets the quality of a text/photo image in relation to file size and the quality of the image Note: 75 is the factory default setting. |

| Menu item | Description |
|--|--|
| Photo Default 5–90 | Sets the quality of a photo image in relation to file size and the quality of the image Note: 50 is the factory default setting. |
| Use Multi-Page TIFF On Off | Provides a choice between single-page TIFF files and multiple-page TIFF files. For a multiple-page scan-to-FTP job, either one TIFF file is created containing all the pages, or multiple TIFF files are created with one file for each page of the job. Notes: <ul style="list-style-type: none"> • On is the factory default setting. • This menu setting applies to all scan functions. |
| Transmission Log Print log Do not print log Print only for error | Specifies whether the transmission log prints Note: "Print log" is the factory default setting. |
| Log Paper Source Tray [x] Manual Feeder | Specifies a paper source when printing FTP logs Note: Tray 1 is the factory default setting. |
| FTP bit Depth 8 bit 1 bit | Enables the Text/Photo mode to have smaller file sizes by using 1-bit images when Color is set to Off Note: 8 bit is the factory default setting. |
| Base File Name | Lets you enter a base file name Note: The limitation is 53 characters. |
| Custom Job Scanning Off On | Lets you copy a document that contains mixed paper sizes into a single scan job Note: Off is the factory default setting. |
| Scan Preview Off On | Specifies whether a preview will appear on the display for scan jobs Note: Off is the factory default setting. |
| Allow Save as Shortcut On Off | Enables shortcut creation for FTP addresses Note: On is the factory default setting. |
| Background Removal -4 to 4 | Adjusts the amount of background visible on a copy Note: 0 is the factory default setting. |
| Color Balance Cyan - Red Magenta - Green Yellow - Blue | Enables an equal balance of colors in the output |

| Menu item | Description |
|--|---|
| Color Dropout Color Dropout None Red Green Blue Default Red Threshold 0–255 Default Green Threshold 0–255 Default Blue Threshold 0–255 | Specifies which color to drop during scanning, and how much to increase or decrease the dropout Notes: <ul style="list-style-type: none"> • None is the factory default setting for Color Dropout. • 128 is the factory default setting for each color threshold. |
| Contrast 0–5 Best for content | Specifies the contrast of the output Note: “Best for content” is the factory default setting. |
| Mirror Image Off On | Creates a mirror image of the original document Note: Off is the factory default setting. |
| Negative Image Off On | Creates a negative image of the original document Note: Off is the factory default setting. |
| Shadow Detail -4 to 4 | Adjusts the amount of shadow detail visible on a scanned image Note: 0 is the factory default setting. |
| ADF Skew Fix Off On | Corrects slight skew in the scanned image Note: Off is the factory default setting |
| Scan edge to edge Off On | Specifies whether the original document is scanned edge-to-edge Note: Off is the factory default setting. |
| Sharpness 1–5 | Adjusts the amount of sharpness of a scanned image Note: 3 is the factory default setting. |
| Temperature -4 to 4 | Enables the user to specify “warm” or “cool” outputs. “Cool” values generate a bluer output than the default while “warm” values generate a redder output than the default. |

Flash Drive menu

Scan Settings

| Menu item | Description |
|--|---|
| Format PDF (.pdf) Secure PDF TIFF (.tif) JPEG (.jpg) XPS (.xps) | Specifies the format of the file to be sent through FTP Note: PDF (.pdf) is the factory default setting. |
| PDF Version 1.2–1.6 A-1a | Sets the version of the PDF file to be sent through FTP Note: 1.5 is the factory default setting. |
| Content Type Text/Photo Photo Text Graphics | Specifies the content of the original document Note: Text/Photo is the factory default setting. |
| Content Source Color Laser Inkjet Photo/Film Magazine Newspaper Press Other Black and White Laser | Specifies how the original document was produced Note: Color Laser is the factory default setting. |
| Color On Off | Specifies whether or not copies are printed in color Note: On is the factory default setting. |
| Resolution 150 dpi 200 dpi 300 dpi 400 dpi 600 dpi 75 dpi | Specifies the resolution of the scan in dots per inch (dpi) Note: 150 dpi is the factory default setting. |
| Darkness 1–9 | Lightens or darkens the output Note: 5 is the factory default setting. |
| Orientation Portrait Landscape | Specifies the orientation of the scanned image Note: Portrait is the factory default setting. |

| Menu item | Description |
|---|---|
| Original Size Letter Legal Executive Tabloid Folio Statement Universal 4 x 6 in. 3 x 5 in. Business Card Custom Scan Size [x] A3 A4 A5 Oficio (Mexico) A6 JIS B4 JIS B5 Book Original Auto Size Sense Mixed Sizes | Specifies the paper size of the document Note: Letter is the US factory default setting. A4 is the international factory default setting. |
| Sides (Duplex) Off Long edge Short edge | Specifies how the text and graphics are oriented on a page Notes: <ul style="list-style-type: none"> • Off is the factory default setting. • Long edge assumes binding along the long edge of the page (left edge for portrait and top edge for landscape). • Short edge assumes binding along the short edge of the page (top edge for portrait and left edge for landscape). |
| JPEG Quality Best for content 5–90 | Sets the quality of a JPEG photo image in relation to file size and quality Notes: <ul style="list-style-type: none"> • “Best for content” is the factory default setting. • 5 reduces the file size, but the quality of the image is lessened. • 90 provides the best image quality, but the file size is very large. • This menu applies to all scan functions. |
| Text Default 5–90 | Sets the quality of the text in relation to file size and the quality of the image Note: 75 is the factory default setting. |
| Text/Photo Default 5–90 | Sets the quality of a text/photo image in relation to file size and the quality Note: 75 is the factory default setting. |
| Photo Default 5–90 | Sets the quality of a photo image in relation to file size and the quality Note: 50 is the factory default setting. |

| Menu item | Description |
|--|---|
| Use Multi-Page TIFF On Off | Provides a choice between single-page TIFF files and multiple-page TIFF files. For a multiple-page scan to FTP job, either one TIFF file is created containing all the pages, or multiple TIFF files are created with one file for each page. Notes: <ul style="list-style-type: none"> • On is the factory default setting. • This menu applies to all scan functions. |
| Scan Bit Depth 8 bit 1 bit | Enables the Text/Photo mode to have smaller file sizes by using 1-bit images when Color is set to Off Note: 8 bit is the factory default setting. |
| File Name | Lets you enter a base file name Note: A maximum of 53 characters is allowed. |
| Custom Job Scanning Off On | Lets you copy a document containing mixed paper sizes in a single copy job Note: Off is the factory default setting. |
| Scan Preview Off On | Specifies whether a preview appears on the display for scan jobs Note: Off is the factory default setting. |
| Background Removal -4 to 4 | Adjusts the amount of background visible on a copy Note: 0 is the factory default setting. |
| Color Balance Cyan - Red Magenta - Green Yellow - Blue | Enables an equal balance of colors in the scanned image |
| Color Dropout Color Dropout None Red Green Blue Default Red Threshold 0–255 Default Green Threshold 0–255 Default Blue Threshold 0–255 | Specifies which color to drop during scanning, and how much to increase or decrease the dropout Notes: <ul style="list-style-type: none"> • None is the factory default setting for Color Dropout. • 128 is the factory default setting for each color threshold. |
| Contrast Best for content 0–5 | Specifies the contrast of the scanned image Note: “Best for content” is the factory default setting. |
| Mirror Image Off On | Creates a mirror image of the original document Note: Off is the factory default setting. |

| Menu item | Description |
|---------------------------------------|---|
| Negative Image Off On | Creates a negative image of the original document Note: Off is the factory default setting. |
| Shadow Detail -4 to 4 | Adjusts the amount of shadow detail visible on a scanned image Note: 0 is the factory default setting. |
| ADF Skew Fix Off On | Specifies whether or not to fix slight skew on the scanned image Note: Off is the factory default setting |
| Scan edge to edge Off On | Specifies whether the original document is scanned edge-to-edge Note: Off is the factory default setting. |
| Sharpness 1–5 | Adjusts the amount of sharpness on a scanned image Note: 3 is the factory default setting. |
| Temperature -4 to 4 | Enables the user to specify “warm” or “cool” outputs. “Cool” values generate a bluer output than the default while “warm” values generate a redder output than the default. |

Print Settings

| | |
|---|--|
| Copies 1–999 | Specifies a default number of copies for each print job Note: 1 is the factory default setting. |
| Paper Source Tray [x] MP Feeder Manual Paper Manual Envelope | Sets a default paper source for all print jobs Note: Tray 1 is the factory default setting. |
| Color Color Black Only | Generates color print jobs output Note: Color is the factory default setting. |
| Collate On (1,2,1,2,1,2) Off (1,1,1,2,2,2) | Stacks the pages of a print job in sequence when printing multiple copies Note: On is the factory default setting. |
| Sides (Duplex) 1 sided 2 sided | Specifies whether prints are on one side or on both sides of the page Note: 1 sided is the factory default setting. |
| Duplex Binding Long Edge Short Edge | Defines the way duplexed pages are bound and how the printing on the back of the page is oriented in relation to the printing on the front of the page Notes: <ul style="list-style-type: none"> • Long edge assumes binding along the long edge of the page (left edge for portrait and top edge for landscape). • Short edge assumes binding along the short edge of the page (top edge for portrait and left edge for landscape). |

| | |
|---|--|
| Paper Saver Orientation Auto Landscape Portrait | Specifies the orientation of a multiple-page document Note: Auto is the factory default setting. The printer chooses between portrait and landscape |
| Paper Saver Off 2-Up 3-Up 4-Up 6-Up 9-Up 12-Up 16-Up | Specifies that multiple-page images be printed on one side of a paper Notes: <ul style="list-style-type: none"> • Off is the factory default setting. • The number selected is the number of page images that will print per side. |
| Paper Saver Border None Solid | Prints a border on each page image Note: None is the factory default setting. |
| Paper Saver Ordering Horizontal Reverse Horizontal Reverse Vertical Vertical | Specifies the positioning of multiple-page images Notes: <ul style="list-style-type: none"> • Horizontal is the factory default setting. • Positioning depends on the number of page images and whether they are in portrait or landscape orientation. |
| Separator Sheets Off Between Copies Between Jobs Between Pages | Specifies whether blank separator sheets are inserted Notes: <ul style="list-style-type: none"> • Off is the factory default setting. • Between Copies inserts a blank sheet between each copy of a print job if Collate is set to On. If Collate is set to Off, then a blank page is inserted between each set of printed pages, such as after all page 1's and after all page 2's. • Between Jobs inserts a blank sheet between print jobs. • Between Pages inserts a blank sheet between each page of the print job. This setting is useful when printing transparencies or when inserting blank pages in a document for notes. |
| Separator Sheet Source Tray [x] Manual Feeder | Specifies the paper source for separator sheets Notes: <ul style="list-style-type: none"> • Tray 1 is the factory default setting. • From the Paper menu, Configure MP must be set to Cassette in order for the Manual Feeder to appear as a menu setting. |
| Blank Pages Do Not Print Print | Specifies whether blank pages are inserted in a print job Note: Do Not Print is the factory default setting. |

Print Settings

Setup menu

| Menu item | Description |
|--|--|
| Printer Language PS Emulation PCL Emulation | Sets the default printer language Notes: <ul style="list-style-type: none"> • PS Emulation is the factory default printer language. • Setting a printer language as the default does not prevent a software program from sending print jobs that use another printer language. |
| Job Waiting Off On | Specifies that print jobs be removed from the print queue if they require unavailable printer options or custom settings. They are stored in a separate print queue, so other jobs print normally. When the missing information and/or options are obtained, the stored jobs print. Notes: <ul style="list-style-type: none"> • Off is the factory default setting. • This menu appears only when a non-read-only printer hard disk is installed. This requirement ensures that stored jobs are not deleted if the printer loses power. |
| Print Area Normal Whole Page | Sets the logical and physical printable area Notes: <ul style="list-style-type: none"> • Normal is the factory default setting. When attempting to print data in the non-printable area defined by the Normal setting, the printer clips the image at the boundary. • Whole Page allows the image to be moved into the non-printable area defined by the Normal setting, but the printer will clip the image at the Normal setting boundary. Whole Page only affects pages printed using a PCL 5e interpreter. This setting has no effect on pages printed using the PCL XL or PostScript interpreter. |
| Printer Usage Max Speed Max Yield | Sets color toner use in printing Notes: <ul style="list-style-type: none"> • Max Speed is the default printer setting. • The printer driver is capable of overriding this setting |
| Black Only Mode Off On | Sets the printer to print text and graphics using only the black print cartridge Note: Off is the factory default setting. |

| Menu item | Description |
|--|---|
| Download Target RAM Flash Disk | Sets the storage location for downloads Notes: <ul style="list-style-type: none"> RAM is the factory default setting. Storing downloads in RAM is temporary. Storing downloads in flash memory or on a printer hard disk places them in permanent storage. Downloads remain in flash memory or on the printer hard disk even when the printer is turned off. This menu appears only when a flash and/or disk option is installed. |
| Resource Save Off On | Specifies how the printer handles temporary downloads, such as fonts and macros stored in RAM, when the printer receives a job that requires more memory than is available Notes: <ul style="list-style-type: none"> Off is the factory default setting. Off sets the printer to retain the downloads only until memory is needed. Downloads are deleted in order to process print jobs. On retains the downloads during language changes and printer resets. If the printer runs out of memory, then 38 Memory Full appears, and downloads are not deleted. |
| Print All Order Alphabetical Oldest First Newest First | Specifies the order in which held and confidential jobs are printed when Print All is selected Note: Alphabetical is the factory default setting. Print jobs always appear in alphabetical order on the printer control panel. |

Job Accounting menu

Note: This menu item appears only if a formatted, non-defective printer hard disk is installed. The printer hard disk cannot be read/write- or write-protected.

| Menu item | Description |
|--|---|
| Job Accounting Log Off On | Determines if the printer creates a log of the print jobs it receives Note: Off is the factory default setting. |
| Job Accounting Utilities | Lets you print and delete log files or export them to a flash drive |
| Accounting Log Frequency Monthly Weekly | Determines how often a log file is created Note: Monthly is the factory default setting. |

| Menu item | Description |
|--|--|
| Log Action at End of Frequency None E-mail Current Log E-mail & Delete Current Log Post Current Log Post & Delete Current Log | Determines how the printer responds when the frequency threshold expires Note: None is the factory default setting. |
| Disk Near Full Level 1–99 Off | Specifies the maximum size of the log file before the printer executes the Disk Near Full Action Note: 5MB is the factory default setting. |
| Disk Near Full Action None E-mail Current Log E-mail & Delete Current Log E-mail & Delete Oldest Log Post Current Log Post & Delete Current Log Post & Delete Oldest Log Delete Current Log Delete Oldest Log Delete All Logs Delete All But Current | Determines how the printer responds when the printer hard disk is nearly full Notes: <ul style="list-style-type: none"> • None is the factory default setting. • The value defined in Disk Near Full Level determines when this action is triggered. |
| Disk Full Action None E-mail & Delete Current Log E-mail & Delete Oldest Log Post & Delete Current Log Post & Delete Oldest Log Delete Current Log Delete Oldest Log Delete All Logs Delete All But Current | Determines how the printer responds when disk usage reaches the maximum limit (100MB) Note: None is the factory default setting. |
| URL to Post Logs | Determines where the printer posts job accounting logs |
| E-mail Address to Send Logs | Specifies the e-mail address to which the device sends job accounting logs |
| Log File Prefix | Note: The current host name defined in the TCP/IP menu is used as the default log file prefix. |

Finishing menu

| Menu item | Description |
|---|---|
| Sides (Duplex) 1 sided 2 sided | Specifies whether duplex (2-sided) printing is set as the default for all print jobs Notes: <ul style="list-style-type: none"> • 1 sided is the factory default setting. • You can set 2-sided printing from the software program. For Windows users, click File > Print, and then click Properties, Preferences, Options, or Setup. For Macintosh users, choose File > Print, and then adjust the settings from the print dialog and pop-up menus. |
| Duplex Binding Long Edge Short Edge | Defines the way duplexed pages are bound and how the printing on the back of the page is oriented in relation to the printing on the front of the page Notes: <ul style="list-style-type: none"> • Long Edge is the factory default setting. • Long edge assumes binding along the long edge of the page (left edge for portrait and top edge for landscape). • Short edge assumes binding along the short edge of the page (top edge for portrait and left edge for landscape). |
| Copies 1–999 | Specifies a default number of copies for each print job Note: 1 is the factory default setting. |
| Blank Pages Do Not Print Print | Specifies whether blank pages are inserted in a print job Note: Do Not Print is the factory default setting. |
| Collate On (1,2,1,2,1,2) Off (1,1,1,2,2,2) | Stacks the pages of a print job in sequence when printing multiple copies Notes: <ul style="list-style-type: none"> • On is the factory default setting. No pages will be collated. • The On setting stacks the print job sequentially. • Both settings print the entire job the number of times specified by the Copies menu setting. |
| Separator Sheets Off Between Copies Between Jobs Between Pages | Specifies whether blank separator sheets are inserted Notes: <ul style="list-style-type: none"> • Off is the factory default setting. • Between Copies inserts a blank sheet between each copy of a print job if Collate is set to On. If Collate is set to Off, then a blank page is inserted between each set of printed pages, such as after all page 1's and after all page 2's. • Between Jobs inserts a blank sheet between print jobs. • Between Pages inserts a blank sheet between each page of the print job. This setting is useful when printing transparencies or inserting blank pages in a document for notes. |

| Menu item | Description |
|---|---|
| Separator Source Tray [x] Manual Feeder | Specifies the paper source for separator sheets Note: Tray 1 (standard tray) is the factory default setting. |
| Paper Saver Off 2-Up 3-Up 4-Up 6-Up 9-Up 12-Up 16-Up | Specifies that multiple-page images be printed on one side of a sheet of paper Notes: <ul style="list-style-type: none"> Off is the factory default setting. The number selected is the number of page images that will print on each page. |
| Paper Saver Ordering Horizontal Reverse Horizontal Reverse Vertical Vertical | Specifies the positioning of multiple-page images Notes: <ul style="list-style-type: none"> Horizontal is the factory default setting. Positioning depends on the number of images and whether the images are in portrait or landscape orientation. |
| Paper Saver Orientation Auto Landscape Portrait | Specifies the orientation of a multiple-page sheet Note: Auto is the factory default setting. The printer chooses between portrait and landscape. |
| Paper Saver Border None Solid | Prints a border on each page image Note: None is the factory default setting. |

Quality menu

| Menu item | Description |
|--|---|
| Print Mode Color Black Only | Specifies whether images are printed in monochrome grayscale or in color Note: Color is the factory default setting. |
| Color Correction Auto Off Manual | Adjusts the color output on the printed page Notes: <ul style="list-style-type: none"> Auto is the factory default setting. Auto applies different color conversion tables to each object on the printed page. Off turns off color correction. Manual allows customization of the color tables using the settings available from the Manual Color menu. Due to the differences in additive and subtractive colors, certain colors that appear on computer monitors are impossible to duplicate on the printed page. |

| Menu item | Description |
|---|---|
| Print Resolution 1200 Image Q | Specifies the printed output resolution |
| Toner Darkness 1–5 | Lightens or darkens the printed output Notes: <ul style="list-style-type: none"> • 4 is the factory default setting. • Selecting a smaller number can help conserve toner. • If Print Mode is set to Black Only, a setting of 5 increases toner density and darkness to all print jobs. • If Print Mode is set to Color, a setting of 5 is the same as a setting of 4. |
| Enhance Fine Lines Off On | Enables a print mode preferable for files such as architectural drawings, maps, electrical circuit diagrams, and flow charts Notes: <ul style="list-style-type: none"> • Off is the factory default setting. • You can set this option from the software program. For Windows users, click File > Print, and then click Properties, Preferences, Options, or Setup. For Macintosh users, choose File > Print, and then adjust the settings from the print dialog and pop-up menus. • To set Enhance Fine Lines using the Embedded Web Server, type the network printer IP address in the address field of your Web browser. |
| Color Saver Off On | Reduces the amount of toner used for graphics and images. The amount of toner used for text is not reduced. Notes: <ul style="list-style-type: none"> • Off is the factory default setting. • On overrides Toner Darkness settings. |
| RGB Brightness -6 to 6 | Adjusts brightness in color outputs Notes: <ul style="list-style-type: none"> • 0 is the factory default setting. • -6 is the maximum decrease. 6 is the maximum increase. • This does not affect files where CMYK color specifications are being used. |
| RGB Contrast 0–5 | Adjusts contrast in color outputs Notes: <ul style="list-style-type: none"> • 0 is the factory default setting. • This does not affect files where CMYK color specifications are being used. |
| RGB Saturation 0–5 | Adjusts saturation in color outputs Notes: <ul style="list-style-type: none"> • 0 is the factory default setting. • This does not affect files where CMYK color specifications are being used. |

| Menu item | Description |
|---|--|
| <p>Color Balance</p> <p>Cyan -5 to 5</p> <p>Magenta -5 to 5</p> <p>Yellow -5 to 5</p> <p>Black -5 to 5</p> <p>Reset Defaults</p> | <p>Adjusts color in printed output by increasing or decreasing the amount of toner being used for each color</p> <p>Note: 0 is the factory default setting.</p> |
| <p>Color Samples</p> <p>sRGB Display</p> <p>sRGB Vivid</p> <p>Display—True Black</p> <p>Vivid</p> <p>Off—RGB</p> <p>US CMYK</p> <p>Euro CMYK</p> <p>Vivid CMYK</p> <p>Off—CMYK</p> | <p>Prints sample pages for each of the RGB and CMYK color conversion tables used in the printer</p> <p>Notes:</p> <ul style="list-style-type: none"> • Selecting any setting prints the sample. • Color samples consist of a series of colored boxes along with the RGB or CMYK combination that creates the color observed. These pages can be used to help decide which combinations to use to get the desired printed output. • From a browser window, type the IP address of the printer to access a complete list of color sample pages from the Embedded Web Server. |
| <p>Manual Color</p> <p>RGB Image</p> <p>Vivid</p> <p>sRGB Display</p> <p>Display True Black</p> <p>sRGB Vivid</p> <p>Off</p> <p>RGB Text</p> <p>Vivid</p> <p>sRGB Display</p> <p>Display True Black</p> <p>sRGB Vivid</p> <p>Off</p> <p>RGB Graphics</p> <p>Vivid</p> <p>sRGB Display</p> <p>Display True Black</p> <p>sRGB Vivid</p> <p>Off</p> | <p>Customizes the RGB color conversions</p> <p>Notes:</p> <ul style="list-style-type: none"> • sRGB Display is the factory default setting for RGB Image. This applies a color conversion table to an output that matches the colors displayed on a computer monitor. • sRGB Vivid is the factory default setting for RGB Text and RGB Graphics. sRGB Vivid applies a color table that increases saturation. This is preferred for business graphics and text. • Vivid applies a color conversion table that produces brighter, more saturated colors. • Display—True Black applies a color conversion table that uses only black toner for neutral gray colors. • Off turns off color conversion. |

| Menu item | Description |
|--|---|
| Manual Color CMYK Image US CMYK Euro CMYK Vivid CMYK Off CMYK Text US CMYK Euro CMYK Vivid CMYK Off CMYK Graphics US CMYK Euro CMYK Vivid CMYK Off | Customizes the CMYK color conversions Notes: <ul style="list-style-type: none"> • US CMYK is the US factory default setting. US CMYK applies a color conversion table that tries to produce output that matches SWOP color output. • Euro CMYK is the international factory default setting. Euro CMYK applies a color conversion table that tries to produce output that matches EuroScale color output. • Vivid CMYK increases color saturation for the US CMYK color conversion table. • Off turns off color conversion. |
| Spot Color Replacement | Provides the capability to assign specific CMYK values to named spot colors |
| Color Adjust | Initiates a recalibration of color conversion tables and allows the printer to make adjustments for color variations in output Notes: <ul style="list-style-type: none"> • Adjusting color starts when the menu is selected. Adjusting appears on the display until the process is finished. • Color variations in output sometimes result from changeable conditions such as room temperature and humidity. Color adjustments are made on printer algorithms. Color alignment is also recalibrated in this process. |

Utilities menu

| Menu item | Description |
|--|---|
| Remove Held Jobs Confidential Held Not Restored All | Removes confidential and held jobs from the printer hard disk Notes: <ul style="list-style-type: none"> • Selecting a setting affects only print jobs that are resident in the printer. Bookmarks, print jobs on flash drives, and other types of held jobs are not affected. • Not Restored removes all Print and Hold jobs that are <i>not</i> restored from the printer hard disk or memory. |

| Menu item | Description |
|--|---|
| Format Flash Yes No | Formats the flash memory Warning—Potential Damage: Do not turn off the printer while the flash memory is being formatted. Notes: <ul style="list-style-type: none"> • Yes deletes all data stored in flash memory. • No cancels the format request. • Flash memory refers to the memory added by installing a flash memory option card in the printer. • A flash memory option card must be installed in the printer and operating properly for this menu item to be available. • The flash memory option card must not be read/write- or write-protected. |
| Delete Downloads on Disk Delete Now Do Not Delete | Removes downloads from the printer hard disk, including all held jobs, buffered jobs, and parked jobs Notes: <ul style="list-style-type: none"> • Delete Now configures the printer control panel to return to the originating screen after the deletion process is completed. • Do Not Delete sets the printer control panel to return to the main Utilities menu. |
| Activate Hex Trace | Assists in isolating the source of a print job problem Notes: <ul style="list-style-type: none"> • When activated, all data sent to the printer is printed in hexadecimal and character representation, and control codes are not executed. • To exit or deactivate Hex Trace, turn the printer off or reset the printer. |
| Coverage Estimator Off On | Provides an estimate of the percentage coverage of toner on a page. The estimate is printed on a separate page at the end of each print job. Note: Off is the factory default setting. |

XPS menu

| Menu item | Description |
|---------------------------------------|---|
| Print Error Pages Off On | Prints a page containing information on errors, including XML markup errors Note: Off is the factory default setting. |

PDF menu

| Menu item | Description |
|----------------------------------|---|
| Scale to Fit No Yes | Scales page content to fit the selected paper size Note: No is the factory default setting. |

| Menu item | Description |
|---|--|
| Annotations Do Not Print Print | Prints annotations in a PDF Note: Do Not Print is the factory default setting. |

PostScript menu

| Menu item | Description |
|--|--|
| Print PS Error Off On | Prints a page containing the PostScript error Note: Off is the factory default setting. |
| Lock PS Startup Mode Off On | Enables users to disable the SysStart file Note: Off is the factory default setting. |
| Font Priority Resident Flash/Disk | Establishes the font search order Notes: <ul style="list-style-type: none"> Resident is the factory default setting. This menu item is available only if a formatted flash memory option card or printer hard disk is installed and operating properly. Make sure the flash memory option or printer hard disk is not read/write-, write-, or password-protected. Job Buffer Size must not be set to 100%. |
| Image Smoothing Off On | Enhances the contrast and sharpness of low-resolution images and smooths their color transitions Notes: <ul style="list-style-type: none"> Off is the factory default setting. Image Smoothing has no effect on images that are 300 dpi or higher in resolution. |

PCL Emul menu

| Menu item | Description |
|--|--|
| Font Source Resident Disk Download Flash All | Specifies the set of fonts used by the Font Name menu item Notes: <ul style="list-style-type: none"> Resident is the factory default setting. Resident shows the factory default set of fonts downloaded in RAM. Flash and Disk settings show all fonts resident in that option. The Flash option must be properly formatted and cannot be read/write-, write-, or password-protected. Download shows all the fonts downloaded in RAM. All shows all fonts available to any option. |

| Menu item | Description |
|---|---|
| Font Name Courier 10 | Identifies a specific font and the option where it is stored Note: Courier 10 is the factory default setting. Courier 10 shows the font name, font ID, and the storage location in the printer. The font source abbreviation is R for Resident, F for Flash, K for Disk, and D for download. |
| Symbol Set 10U PC-8 12U PC-850 | Specifies the symbol set for each font name Notes: <ul style="list-style-type: none"> • 10U PC-8 is the US factory default setting. 12U PC-850 is the international factory default setting. • A symbol set is a set of alphabetic and numeric characters, punctuation, and special symbols. Symbol sets support the different languages or specific programs such as math symbols for scientific text. Only the supported symbol sets are shown. |
| PCL Emulation Settings Point Size 1.00–1008.00 | Changes the point size for scalable typographic fonts Notes: <ul style="list-style-type: none"> • 12 is the factory default setting. • Point Size refers to the height of the characters in the font. One point equals approximately 1/72 of an inch. • Point sizes can be increased or decreased in 0.25-point increments. |
| PCL Emulation Settings Pitch 0.08–100 | Specifies the font pitch for scalable monospaced fonts Notes: <ul style="list-style-type: none"> • 10 is the factory default setting. • Pitch refers to the number of fixed-space characters per inch (cpi). • Pitch can be increased or decreased in 0.01-cpi increments. • For nonscalable monospaced fonts, the pitch appears on the display but cannot be changed. |
| PCL Emulation Settings Orientation Portrait Landscape | Specifies the orientation of text and graphics on the page Notes: <ul style="list-style-type: none"> • Portrait is the factory default setting. Portrait prints text and graphics parallel to the short edge of the page. • Landscape prints text and graphics parallel to the long edge of the page. |
| PCL Emulation Settings Lines per Page 1–255 60 64 | Specifies the number of lines that print on each page Notes: <ul style="list-style-type: none"> • 60 is the US factory default setting. 64 is the international default setting. • The printer sets the amount of space between each line based on the Lines per Page, Paper Size, and Orientation settings. Select the desired Paper Size and Orientation before setting Lines per Page. |

| Menu item | Description |
|---|---|
| PCL Emulation Settings A4 Width 198 mm 203 mm | Sets the printer to print on A4-size paper Notes: <ul style="list-style-type: none"> • 198 mm is the factory default setting. • The 203-mm setting sets the width of the page to allow the printing of eighty 10-pitch characters. |
| PCL Emulation Settings Auto CR after LF Off On | Specifies whether the printer automatically performs a carriage return (CR) after a line feed (LF) control command Note: Off is the factory default setting. |
| PCL Emulation Settings Auto LF after CR Off On | Specifies whether the printer automatically performs a line feed (LF) after a carriage return (CR) control command Note: Off is the factory default setting. |
| Tray Renumber Assign MP Feeder Off None 0–199 Assign Tray [x] Off None 0–199 Assign Manual Paper Off None 0–199 Assign Manual Env Off None 0–199 | Configures the printer to work with printer software or programs that use different source assignments for trays, drawers, and feeders Notes: <ul style="list-style-type: none"> • Off is the factory default setting. • None is not an available selection. It is only displayed when it is selected by the PCL 5 interpreter. It also ignores the Select Paper Feed command. • 0–199 allows a custom setting to be assigned. |
| Tray Renumber View Factory Defaults None | Displays the factory default setting assigned to each tray, drawer, or feeder |
| Tray Renumber Restore Defaults Yes No | Returns all tray, drawer, and feeder assignments to the factory default settings |

HTML menu

| Menu Item | | Description |
|------------------|-----------------|---|
| Font Name | Joanna MT | Sets the default font for HTML documents Note: The Times font is used in HTML documents that do not specify a font. |
| Albertus MT | Letter Gothic | |
| Antique Olive | Lubalin Graph | |
| Apple Chancery | Marigold | |
| Arial MT | MonaLisa Recut | |
| Avant Garde | Monaco | |
| Bodoni | New CenturySbk | |
| Bookman | New York | |
| Chicago | Optima | |
| Clarendon | Oxford | |
| Cooper Black | Palatino | |
| Copperplate | StempelGaramond | |
| Coronet | Taffy | |
| Courier | Times | |
| Eurostile | TimesNewRoman | |
| Garamond | Univers | |
| Geneva | Zapf Chancery | |
| Gill Sans | NewSansMTCS | |
| Goudy | NewSansMTCT | |
| Helvetica | New SansMTJA | |
| Hoefler Text | NewSansMTKO | |
| Intl CG Times | | |
| Intl Courier | | |
| Intl Univers | | |

| Menu item | Description |
|---|---|
| Font Size 1–255 pt | Sets the default font size for HTML documents Notes: <ul style="list-style-type: none"> • 12 pt is the factory default setting. • Font size can be increased in 1-point increments. |
| Scale 1–400% | Scales the default font for HTML documents Notes: <ul style="list-style-type: none"> • 100% is the factory default setting. • Scaling can be increased in 1% increments. |
| Orientation Portrait Landscape | Sets the page orientation for HTML documents Note: Portrait is the factory default setting. |

| Menu item | Description |
|---|--|
| Margin Size 8–255 mm | Sets the page margin for HTML documents Notes: <ul style="list-style-type: none"> • 19 mm is the factory default setting. • Margin size can be increased in 1-mm increments. |
| Backgrounds Print Do Not Print | Specifies whether to print backgrounds on HTML documents Note: Print is the factory default setting. |

Image menu

| Menu item | Description |
|---|--|
| Auto Fit On Off | Selects the optimal paper size, scaling, and orientation Note: On is the factory default setting. It overrides scaling and orientation settings for some images. |
| Invert Off On | Inverts bi-tonal monochrome images Notes: <ul style="list-style-type: none"> • Off is the factory default setting. • This setting does not apply to GIF or JPEG images. |
| Scaling Best Fit Anchor Center Fit Height/Width Fit Height Fit Width Anchor Top Left | Scales the image to fit the selected paper size Notes: <ul style="list-style-type: none"> • Best Fit is the factory default setting. • When Auto Fit is set to On, Scaling is automatically set to Best Fit. |
| Orientation Portrait Landscape Rev Portrait Rev Landscape | Sets the image orientation Note: Portrait is the factory default setting. |

Help menu

The Help menu consists of a series of Help pages that are stored in the multifunction printer (MFP) as PDF files. They contain information about using the printer and performing various tasks, including copying, scanning, and faxing.

English, French, German, and Spanish translations are stored in the printer.

Other translations are available on the Lexmark Web site at www.lexmark.com.

| Menu item | Description |
|---------------------|--|
| Print All Guides | Prints all the guides |
| Copy Guide | Provides information about making copies and changing settings |
| Fax Guide | Provides information about sending faxes using fax numbers, shortcut numbers, or the address book, and about changing settings |
| E-mail Guide | Provides information about sending e-mails using addresses, shortcut numbers, or the address book, and about changing settings |
| FTP Guide | Provides information about scanning documents directly to an FTP server using an FTP address, shortcut numbers, or the address book, and about changing settings |
| Print Defects Guide | Provides help in resolving repeating defects in copies or prints |
| Information Guide | Provides help in locating additional information |
| Supplies Guide | Provides part numbers for ordering supplies |

Securing the memory before moving the printer

Statement of Volatility

Your printer contains various types of memory that are capable of storing device and network settings, information from embedded solutions, and user data. The types of memory—along with the types of data stored by each—are described below.

- **Volatile memory**—Your device utilizes standard *Random Access Memory* (RAM) to temporarily buffer user data during simple print and copy jobs.
- **Non-volatile memory**—Your device may utilize two forms of non-volatile memory: EEPROM and NAND (flash memory). Both types are used to store the operating system, device settings, network information, scanner and bookmark settings, and embedded solutions.
- **Hard disk memory**—Some devices have a hard disk drive installed. The printer hard disk is designed for device-specific functionality and cannot be used for long term storage for data that is not print-related. The hard disk does not provide the capability for users to extract information, create folders, create disk or network file shares, or FTP information directly from a client device. The hard disk can retain buffered user data from complex scan, print, copy, and fax jobs, as well as form data, and font data.

There are several circumstances under which you might wish to erase the contents of the memory devices installed in your printer. A partial list includes:

- The printer is being decommissioned
- The printer hard drive is being replaced
- The printer is being moved to a different department or location
- The printer is being serviced by someone from outside your organization
- The printer is being removed from your premises for service
- The printer is being sold to another organization

Disposing of a hard drive

Note: Not all printers have a hard disk installed.

In high-security environments, it may be necessary to take additional steps to ensure that confidential data stored on the printer hard disk cannot be accessed once the printer—or its hard disk—is removed from your premises. While most data can be erased electronically, you may want to consider one or more of the following actions before disposing of a printer or hard disk:

- **Degaussing**—Flushes the hard drive with a magnetic field that erases stored data
- **Crushing**—Physically compresses the hard disk to break component parts and render them unreadable
- **Milling**—Physically shreds the hard disk into small metal bits

Note: While most data can be erased electronically, the only way to guarantee that all data is completely erased is to physically destroy each memory device on which data could have been stored.

Erasing volatile memory

The volatile memory (RAM) installed on your printer requires a power source to retain information. To erase the buffered data, simply power down the device.

Erasing non-volatile memory

- **Individual settings, device and network settings, security settings, and embedded solutions**—Erase information and settings by selecting Wipe All Settings in the Configuration menu.
- **Fax data**—Erase fax settings and data by selecting Wipe All Settings in the Configuration menu.

1 Turn off the printer.

2 Hold down **2** ABC and **6** MNO while turning the printer on. Release the buttons only when the screen with the progress bar appears.

The printer performs a power-on sequence, and then the Configuration menu appears. When the printer is fully powered up, the touch screen displays a list of functions, instead of the standard home screen icons.

3 Touch **Wipe All Settings**.

The printer will reboot several times during this process.

Note: Wipe All Settings securely removes device settings, solutions, jobs, faxes, and passwords on the printer.

4 Touch **Back > Exit Config Menu**.

The printer will power-on reset, and then return to normal operating mode.

Erasing printer hard disk memory

Note: Your printer may not have a hard disk installed.

Configuring Disk Wiping in the printer menus enables you to remove residual confidential material left by scan, print, copy, and fax jobs, by securely overwriting files that have been marked for deletion.

Using the printer control panel

1 Turn off the printer.

2 Hold down **2** ABC and **6** MNO while turning the printer on. Release the buttons only when the screen with the progress bar appears.

The printer performs a power-on sequence, and then the Configuration menu appears. When the printer is fully powered up, the touch screen displays a list of functions, instead of the standard home screen icons.

3 Touch **Wipe Disk**, and then touch one of the following:

- **Wipe disk (fast)**—This lets you overwrite the disk with all zeroes in a single pass.
- **Wipe disk (secure)**—This lets you overwrite the disk with random bit patterns several times, followed by a verification pass. A secure overwrite is compliant with the DoD 5220.22-M standard for securely erasing data from a hard disk. Highly confidential information should be wiped using this method.

4 Touch **Yes** to proceed with disk wiping. A status bar will indicate the progress of the disk wiping task.

Note: Disk wiping can take from several minutes to more than an hour, during which the printer will be unavailable for other user tasks.

5 Touch **Back > Exit Config Menu**.

The printer will power-on reset, and then return to normal operating mode.

Configuring printer hard disk encryption

Note: Your printer may not have a hard disk installed.

Enabling hard disk encryption helps prevent the loss of sensitive data in the event your printer or its hard disk is stolen.

Using the Embedded Web Server

- 1 From the Embedded Web Server, click **Settings > Security > Disk Encryption**.

Note: Disk Encryption appears in the Security Menu only when a formatted, non-defective printer hard disk is installed.

- 2 From the Disk encryption menu, select **Enable**.

Notes:

- Enabling disk encryption will erase the content of the printer hard disk.
- Disk encryption can take from several minutes to more than an hour, during which the printer will be unavailable for other user tasks.

- 3 Click **Submit**.

Using the printer control panel

- 1 Turn off the printer.

- 2 Hold down **2 ABC** and **6 MNO** while turning the printer on. Release the buttons only when the screen with the progress bar appears.

The printer performs a power-on sequence, and then the Configuration menu appears. Once the printer is fully powered up, the touch screen displays a list of functions, instead of standard home screen icons such as Copy or Fax.

- 3 Touch **Disk Encryption > Enable**.

Note: Enabling disk encryption will erase the contents of the printer hard disk.

- 4 Touch **Yes** to proceed with disk wiping.

A status bar will indicate the progress of the disk wiping task. After the disk has been encrypted, the printer will return to the Enable/Disable screen.

Notes:

- Do not turn off the printer during the encryption process. Doing so may result in loss of data.
- Disk encryption can take from several minutes to more than an hour, during which the printer will be unavailable for other user tasks.

- 5 Touch **Back**, and then **Exit Config Menu**.

The printer will power-on reset, and then return to normal operating mode.

Maintaining the printer

Cleaning the exterior of the printer

- 1 Make sure that the printer is turned off and unplugged from the wall outlet.

⚠ CAUTION—SHOCK HAZARD: To avoid the risk of electric shock when cleaning the exterior of the printer, unplug the power cord from the wall outlet and disconnect all cables to the printer before proceeding.

- 2 Remove paper from the standard exit bin.
- 3 Dampen a clean, lint-free cloth with water.

Warning—Potential Damage: Do not use household cleaners or detergents, as they may damage the finish of the printer.

- 4 Wipe only the outside of the printer, making sure to include the standard exit bin.

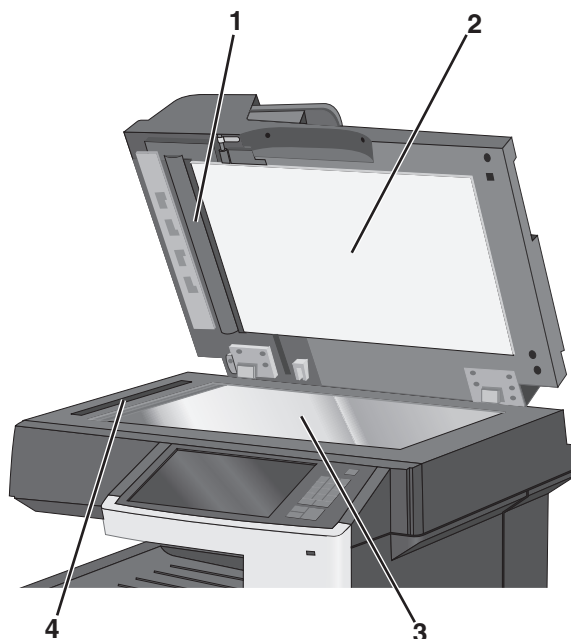
Warning—Potential Damage: Using a damp cloth to clean the interior may cause damage to your printer.

- 5 Make sure the paper support and standard exit bin are dry before beginning a new print job.

Cleaning the scanner glass

Clean the scanner glass if you encounter print quality problems, such as streaks on copied or scanned images.

- 1 Slightly dampen a soft, lint-free cloth or paper towel with water.
- 2 Open the scanner cover.



| | |
|---|--------------------------------------|
| 1 | White underside of the ADF cover |
| 2 | White underside of the scanner cover |

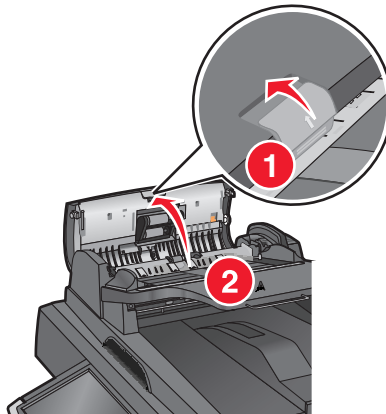
| | |
|---|---------------|
| 3 | Scanner glass |
| 4 | ADF glass |

- 3 Wipe the areas shown and let them dry.
- 4 Close the scanner cover.

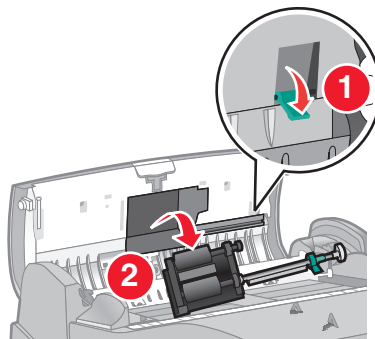
Cleaning the ADF parts

Clean the ADF parts periodically to maintain optimal printing performance. Residue on the ADF parts may cause print quality issues and false 28x paper jam messages.

- 1 Turn the printer off.
- 2 Slightly dampen a soft, lint-free cloth with water.
- 3 Open the ADF cover.

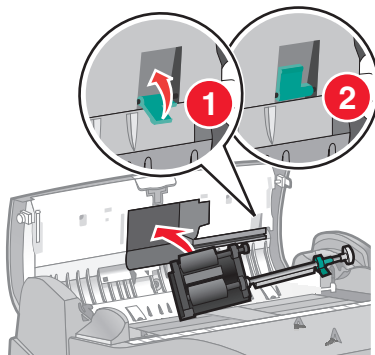


- 4 Remove the pick roller assembly.



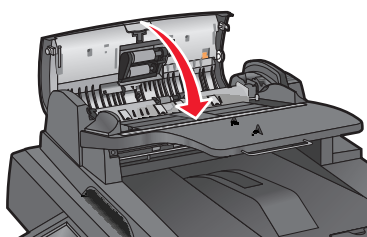
- 5 Wipe the surface of both pick rollers.

6 Reinsert the pick roller assembly.



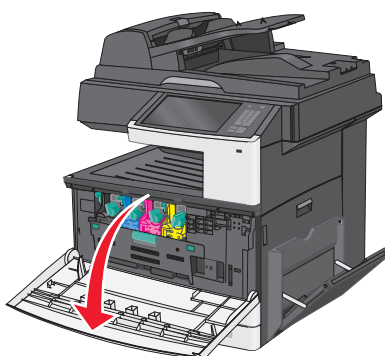
7 Wipe the entire surface under the ADF cover, including the two small white rollers.

8 Close the ADF cover.

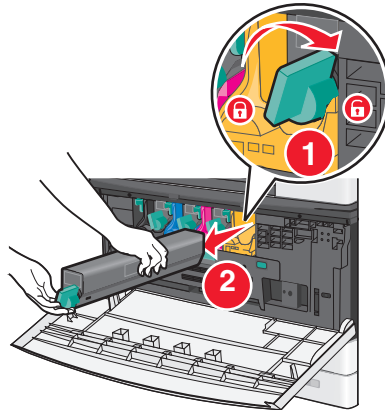


Cleaning the printhead lenses

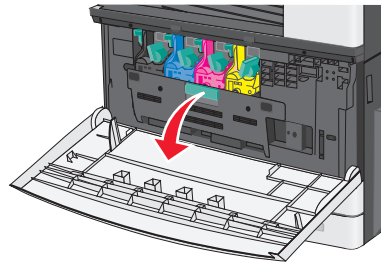
1 Open the front door.



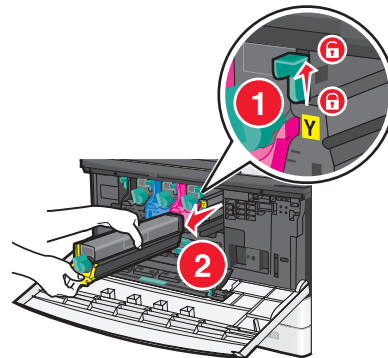
- 2** Turn the toner lock lever to the right and pull the toner cartridge out.



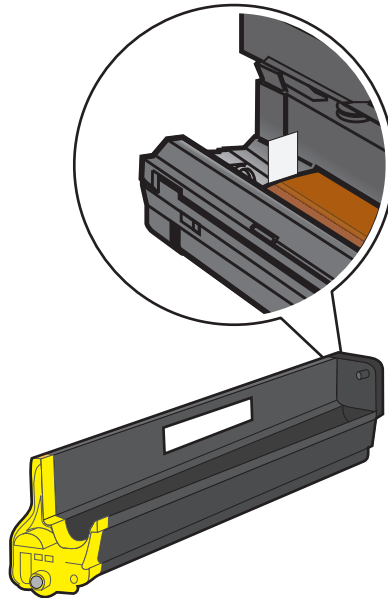
- 3** Remove the imaging unit:
a Open the internal cover.



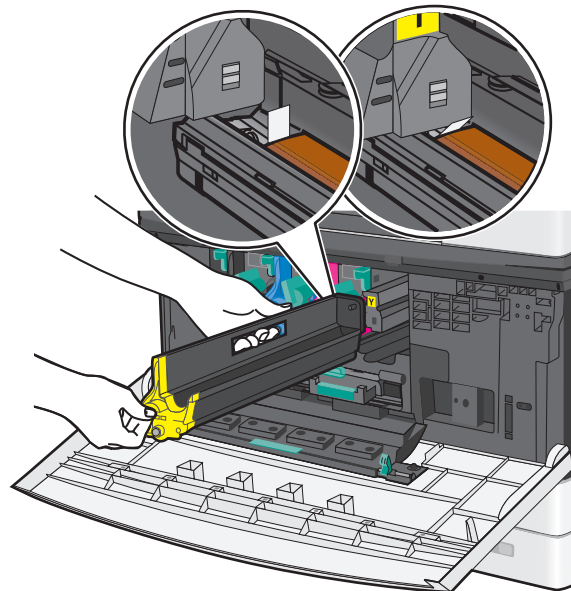
- b** Push the imaging unit lock lever up and pull out the imaging unit.



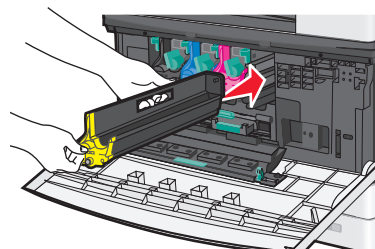
- 4 Locate the LED wipe at the end of the imaging unit. Make sure it is in the correct position.



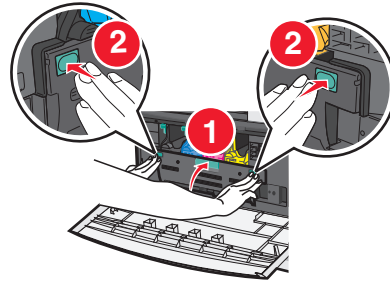
- 5 Reinstall the imaging unit. When inserted into the printer, the LED wipe will rub across the row of LEDs, thus cleaning the printhead lenses.



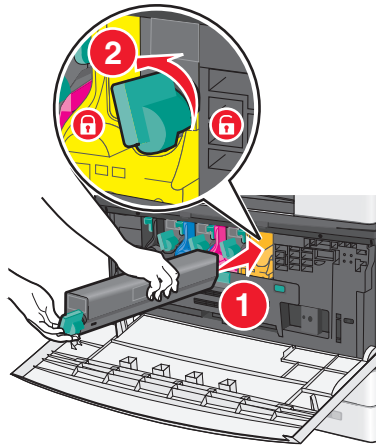
- a Insert the imaging unit into the printer until it *clicks* into place.



- b** Using both hands, push the sides of the internal cover firmly until the cover *clicks* into place.

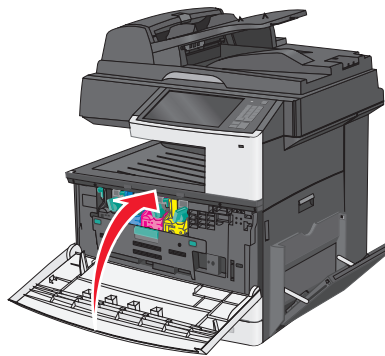


- 6** Insert the toner cartridge into the printer and then turn the toner lock lever to the left.



- 7** Repeat step 2–6 to for all imaging units.

- 8** Close the front door.



Storing supplies

Choose a cool, clean storage area for the printer supplies. Store supplies right side up in their original packing until you are ready to use them.

Do not expose supplies to:

- Direct sunlight
- Temperatures above 35°C (95°F)
- High humidity above 80%

- Salty air
- Corrosive gases
- Heavy dust

Checking the status of supplies

A message appears on the display when a replacement supply item is needed or when maintenance is required.

Checking the status of supplies from the printer control panel

From the home screen, touch **Status/Supplies > View Supplies**.

Checking the status of supplies from a network computer

Note: The computer must be connected to the same network as the printer.

- 1 Type the printer IP address into the address field of your Web browser.

If you do not know the IP address of the printer, you can:

- View the IP address on the printer control panel in the TCP/IP section under the Networks/Ports menu.
- Print a network setup page or the menu settings pages and locate the IP address in the TCP/IP section.

- 2 Click **Device Status**.

The Device Status page appears, displaying a summary of supply levels.

Ordering supplies

To order supplies in the U.S., contact Lexmark at 1-800-539-6275 for information about Lexmark authorized supplies dealers in your area. In other countries or regions, visit the Lexmark Web site at www.lexmark.com or contact the place where you purchased the printer.

Note: All life estimates for printer supplies assume printing on letter- or A4-size plain paper.

Ordering toner cartridges

When **88.xx [color] cartridge low**, or **88.xx [color] cartridge nearly low** appears, order a new cartridge.

When **88.2x Replace [color] cartridge** appears, replace the specified cartridge.

Estimated cartridge yield is based on the ISO/IEC 19798 standard (with about 5% coverage per color). Extremely low print coverage (less than 1.25% for a color) for extended periods of time may negatively affect actual yield for that color and may cause cartridge parts to fail prior to exhaustion of toner.

Recommended toner cartridges and part numbers

| Part name | Part number |
|------------------------------------|-------------|
| Black high-yield toner cartridge | X925H2KG |
| Cyan high-yield toner cartridge | X925H2CG |
| Magenta high-yield toner cartridge | X925H2MG |
| Yellow high-yield toner cartridge | X925H2YG |

Ordering imaging units

When **84.xx [Color] imaging unit low**, or **84.xx [Color] imaging unit nearly low** appears, order a replacement imaging unit.

When **84.xx Replace [color] imaging unit and [color] cartridge** appears, replace the specified imaging unit and toner cartridge.

Recommended imaging units and part numbers

| Part name | Part number |
|----------------------|-------------|
| Black imaging unit | C925X72G |
| Yellow imaging unit | C925X75G |
| Magenta imaging unit | C925X74G |
| Cyan imaging unit | C925X73G |

Ordering a fuser or a transfer module

When **80.xx Fuser life warning**, **80.xx Fuser near life warning**, or **83.xx Transfer module life warning** appears, order a replacement fuser or a transfer module.

When **80.xx Replace fuser** or **83.xx Replace transfer module** appears, install the new fuser or the new transfer module. For installation information, see the documentation that came with the part.

| Part name | Part number |
|-----------------|--|
| Fuser | 40X6013 (110 volts) 40X6093 (220 volts) |
| Transfer module | 40X6011 |

Ordering a waste toner bottle

When **82.xx Waste toner bottle nearly full** appears, order a replacement waste toner bottle.

When **82.xx Replace waste toner bottle** appears, replace the waste toner bottle.

Note: Waste toner bottle reuse is not recommended.

| Part name | Part number |
|--------------------|-------------|
| Waste toner bottle | C925X76G |

Ordering ADF replacement parts

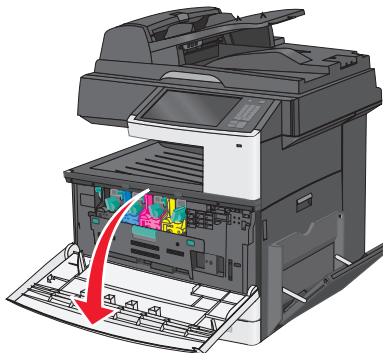
Order ADF replacement parts if you experience problems with paper double-feeding or failing to feed through the ADF.

| Part name | Part number |
|--------------------|-------------|
| ADF separator roll | 40X6328 |
| ADF pick roll | 40X6327 |

Replacing Supplies

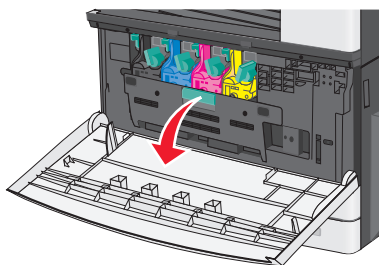
Replacing an imaging unit

- 1 Open the front door.

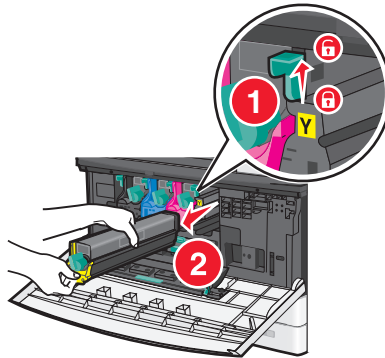


Warning—Potential Damage: To avoid overexposing the imaging units, do not leave the door open for more than 10 minutes.

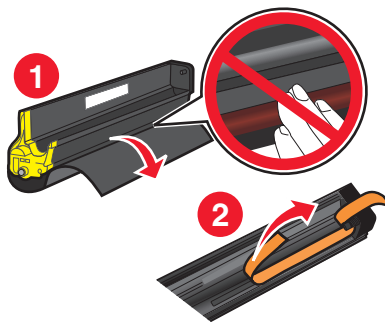
- 2 Open the internal cover.



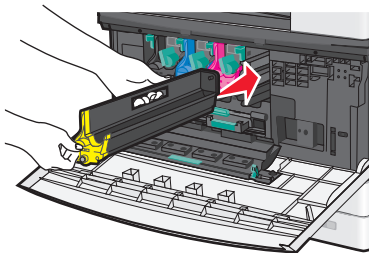
- 3 Push the imaging unit lock lever up and pull out the imaging unit with the toner cartridge attached to it.



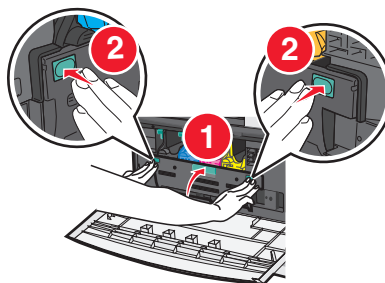
- 4 Unpack the replacement imaging unit.
5 Peel off the black protective sheet and the toner sealing tape.



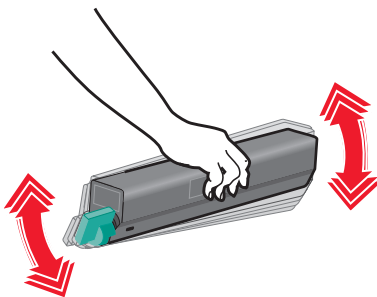
- 6 Insert the imaging unit into the printer until it *clicks* it into place.



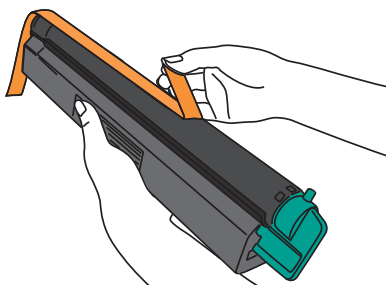
- 7 Using both hands, push the sides of the internal cover firmly until the cover *clicks* into place.



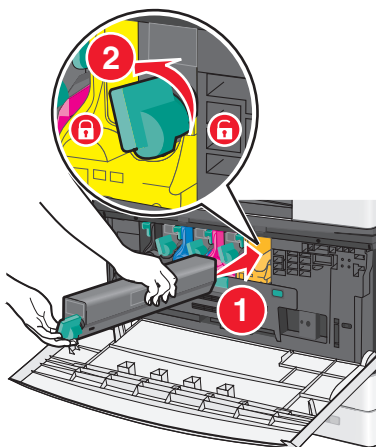
8 Unpack the toner cartridge, and then shake it to redistribute the toner.



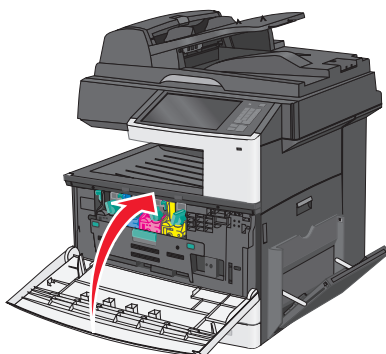
9 Peel off the toner sealing tape.



10 Insert the toner cartridge and turn the lock lever to the left.



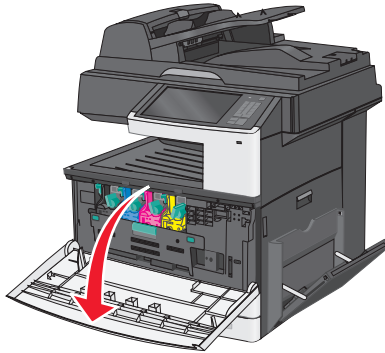
11 Close the front door.



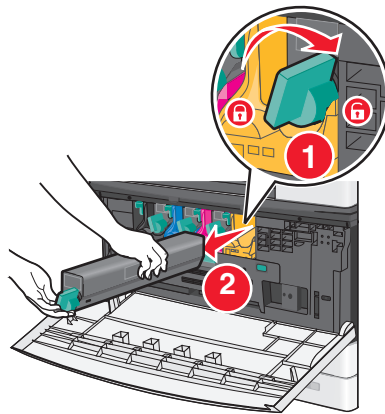
Replacing a toner cartridge

- 1 Open the front door.

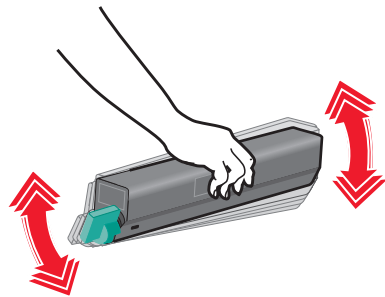
Warning—Potential Damage: To avoid overexposing the imaging units, do not leave the door open for more than 10 minutes.



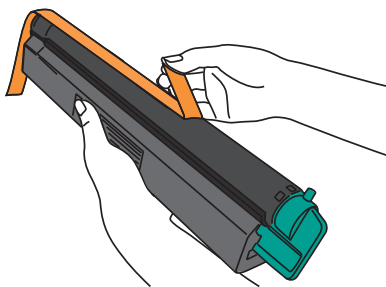
- 2 Turn the toner lock lever to the right and pull the toner cartridge out.



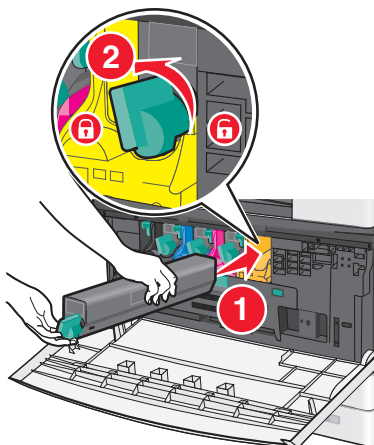
- 3 Unpack the toner cartridge, and then shake it to redistribute the toner.



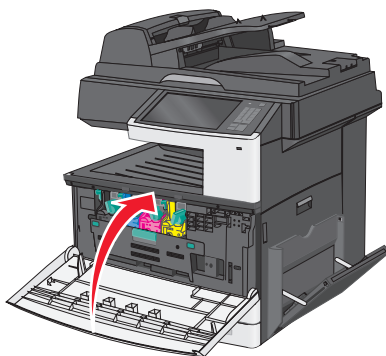
4 Peel off the toner sealing tape.



5 Insert the new cartridge into the printer and then turn the toner lock lever to the left.

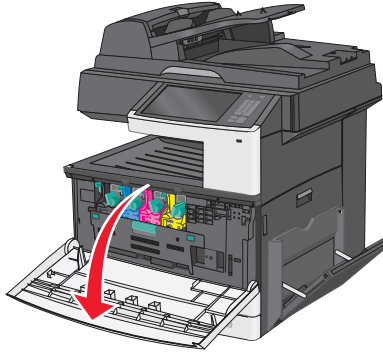


6 Close the front door.

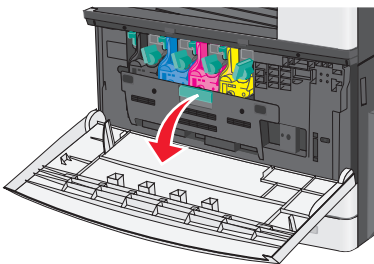


Replacing the waste toner bottle

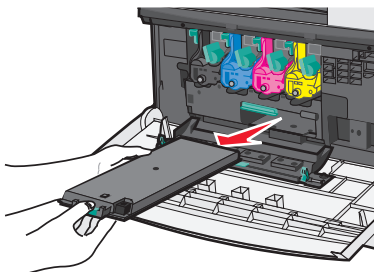
- 1 Turn the printer off.
- 2 Open the front door.



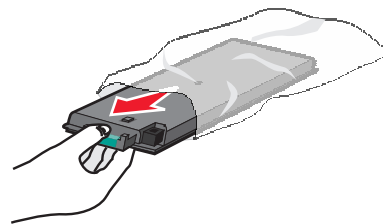
- 3 Open the internal cover.



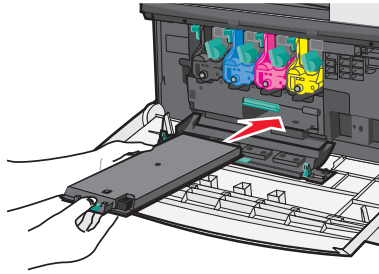
- 4 Pull out the used waste toner bottle.



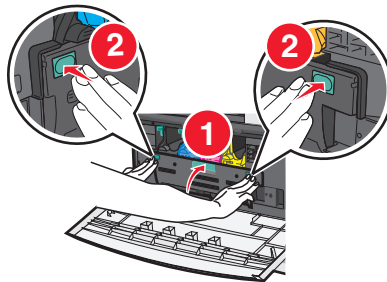
- 5 Unpack the new waste toner bottle.



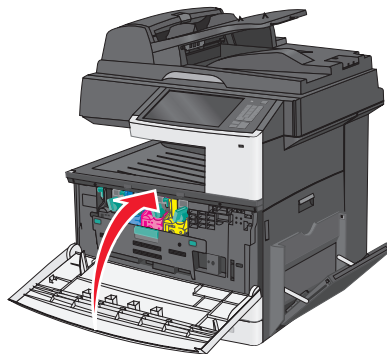
6 Insert the new waste toner bottle into the printer.



7 Using both hands, push the sides of the internal cover firmly until it *clicks* into place.



8 Close the front door.



9 From the printer control panel, reset the Waste Toner Bottle counter in the Supplies menu.

Moving the printer

Before moving the printer

⚠ CAUTION—POTENTIAL INJURY: The printer weight is greater than 18 kg (40 lb) and requires two or more trained personnel to lift it safely.

⚠ CAUTION—POTENTIAL INJURY: Before moving the printer, follow these guidelines to avoid personal injury or printer damage:

- Turn the printer off using the power switch, and then unplug the power cord from the electrical outlet.
- Disconnect all cords and cables from the printer before moving it.

- Lift the printer off the optional tray, and then set it aside instead of trying to lift the tray and printer at the same time.

Note: Use the handholds located on both sides of the printer to lift it.

Warning—Potential Damage: Damage to the printer caused by improper moving is not covered by the printer warranty.

Moving the printer to another location

The printer and options can be safely moved to another location by following these precautions:

- Any cart used to move the printer must have a surface able to support the full footprint of the printer. Any cart used to move the options must have a surface able to support the dimensions of the options.
- Keep the printer in an upright position.
- Avoid severe jarring movements.

Shipping the printer

When shipping the printer, use the original packaging or call the place of purchase for a relocation kit.

Administrative support

Finding advanced networking and administrator information

This chapter covers basic administrative support tasks using the Embedded Web Server. For more advanced system support tasks, see the *Networking Guide* on the *Software and Documentation CD* and the *Embedded Web Server Administrator's Guide* on the Lexmark Web site at <http://support.lexmark.com>.

Using the Embedded Web Server

If the printer is installed on a network, then the Embedded Web Server is available for a range of functions including:

- Viewing a virtual display of the printer control panel
- Checking the status of the printer supplies
- Configuring printer settings
- Configuring network settings
- Viewing reports

To access the Embedded Web Server for your printer:

- 1 Type the printer IP address into the address field of your Web browser.

Notes:

- If you do not know the IP address of the printer, then print a network setup page, and then locate the IP address in the TCP/IP section.
- If you are using a proxy server, then temporarily disable it to load the Embedded Web Server correctly.

- 2 Press **Enter**.

Checking the virtual display

- 1 Open an Embedded Web Server associated with your printer.

Type the printer IP address into the address field of your Web browser.

If you do not know the IP address of the printer, you can:

- View the IP address on the printer control panel in the TCP/IP section under the Networks/Ports menu.
- Print a network setup page or the menu settings pages and locate the IP address in the TCP/IP section.

- 2 Check the virtual display that appears in the top left corner of the screen.

The virtual display works as an actual display would work on a printer control panel, showing printer messages.

Checking the status of the printer

- 1 Type the printer IP address into the address field of your Web browser.

If you do not know the IP address of the printer, you can:

- View the IP address on the printer control panel in the TCP/IP section under the Networks/Ports menu.
- Print a network setup page or the menu settings pages and locate the IP address in the TCP/IP section.

2 Click **Device Status**.

The device status shows the following:

- Paper tray settings
- Level of toner in the print cartridge
- Percentage of life remaining in the maintenance kit
- Capacity measurements of certain printer parts

Setting up e-mail alerts

You can have the printer send you an e-mail when the supplies are getting low or when the paper needs to be changed, added, or when there is a paper jam.

1 Type the printer IP address into the address field of your Web browser.

If you do not know the IP address of the printer, you can:

- View the IP address on the printer control panel in the TCP/IP section under the Networks/Ports menu.
- Print a network setup page or the menu settings pages and locate the IP address in the TCP/IP section.

2 Click **Settings**.

3 Under Other Settings, click **E-mail Alert Setup**.

4 Select the items for notification, and type the e-mail address to receive the alerts.

5 Click **Submit**.

Note: Contact your system support person to set up the e-mail server.

Viewing reports

You can view some reports from the Embedded Web Server. These reports are useful for assessing the status of the printer, the network, and supplies.

To view reports from a network printer:

1 Type the printer IP address into the address field of your Web browser.

If you do not know the IP address of the printer you can:

- View the IP address on the printer control panel in the TCP/IP section under the Networks/Ports menu.
- Print a network setup page or the menu settings pages and locate the IP address in the TCP/IP section.

2 Click **Reports**, and then click the type of report you want to view.

Restoring factory default settings

If you want to retain a list of the current menu settings for reference, then print a menu settings page before restoring the factory default settings.

Warning—Potential Damage: Restoring factory defaults returns most printer settings to the original factory default settings. Exceptions include the display language, custom sizes and messages, and network/port menu settings. All downloads stored in RAM are deleted. Downloads stored in flash memory or on a printer hard disk are not affected.

From the home screen, navigate to:



> **Settings** > **General Settings** > **Factory Defaults** > **Restore Now** > **Submit**

Clearing jams

By carefully selecting paper and loading it properly, you can avoid most jams. If jams do occur, follow the steps outlined in this section.

To clear a jam message and resume printing, clear the entire paper path, and then touch **Continue, jam cleared**. If Jam Recovery is set to On, then the printer prints a new copy of the page that jammed. If Jam Recovery is set to Auto, then the printer reprints the jammed page if enough printer memory is available.

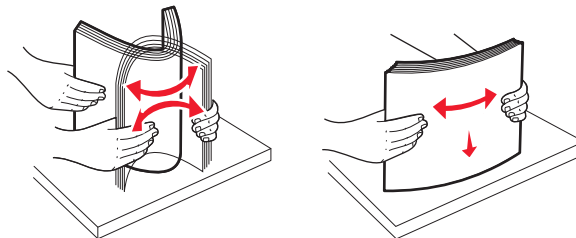
Avoiding jams

Paper tray recommendations

- Make sure the paper lies flat in the tray.
- Do not remove a tray while the printer is printing.
- Do not load a tray while the printer is printing. Load it prior to printing, or wait for a prompt to load it.
- Do not load too much paper. Make sure the stack height does not exceed the indicated maximum height.
- Make sure the guides in the tray or the multipurpose feeder are properly positioned and are not pressing too tightly against the paper or envelopes.
- Push the tray in firmly after loading paper.

Paper recommendations

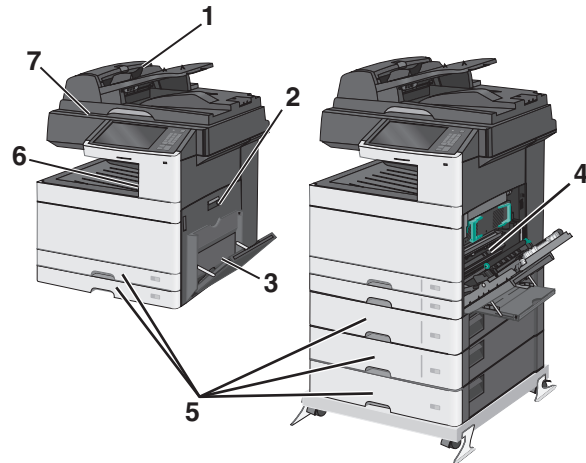
- Use only recommended paper or specialty media.
- Do not load wrinkled, creased, damp, bent, or curled paper.
- Flex and straighten paper before loading it.



- Do not use paper that has been cut or trimmed by hand.
- Do not mix paper sizes, weights, or types in the same stack.
- Make sure all sizes and types are set correctly in the printer control panel menus.
- Store paper per manufacturer recommendations.

Understanding jam numbers and locations


When a jam occurs, a message indicating the jam location appears on the display. Open doors and covers and remove trays to access jam locations. To resolve any paper jam message, you must clear all jammed paper from the paper path.



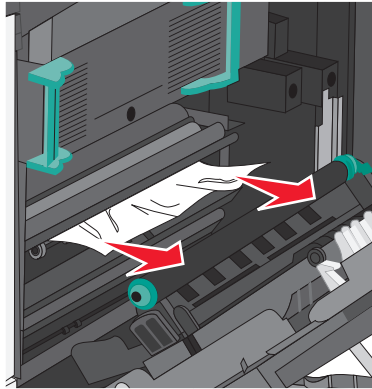
| Area | Jam numbers | What to do |
|------|-------------|--|
| 1 | 280-289 | <ol style="list-style-type: none"> 1 Remove all paper from the ADF. 2 Flex and stack the paper. 3 Reload the ADF. 4 Adjust the paper guide. 5 Touch Continue, jam cleared. |
| 2 | 200-201 | Open the side cover, and then remove any jams. |
| 3 | 250 | <ol style="list-style-type: none"> 1 Remove all media from the multipurpose feeder. 2 Flex and stack the media. 3 Reload the multipurpose feeder. 4 Adjust the paper guide. 5 Touch Continue, jam cleared. |
| 4 | 230-239 | Open the side cover, lower the duplex unit, and then remove the jam. |
| 5 | 24x | Open each tray, and then remove any jams. |
| 6 | 203 | Grasp any jammed paper visible in the standard exit bin. |
| 7 | 451 | Open the scan cover, and then remove any jams. |

200 paper jam

1 Open the side door.

 **CAUTION—HOT SURFACE:** The inside of the printer might be hot. To reduce the risk of injury from a hot component, allow the surface to cool before touching.

2 Pull the jammed paper up and out to remove it from the paper path.



Notes:


- Make sure all paper fragments are removed.
- If the page is in the fuser, the fuser nip release lever should be lowered and should be switched to envelope mode.
- After removing the jammed page, return the lever to the proper position.

3 Close the side door.

4 Touch **Continue, jam cleared**.

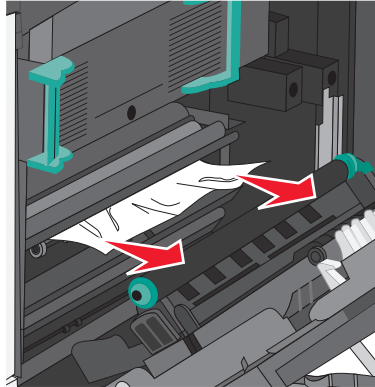
201 paper jam

- 1 Open the side door.

 **CAUTION—HOT SURFACE:** The inside of the printer might be hot. To reduce the risk of injury from a hot component, allow the surface to cool before touching.

- 2 Determine where the jam is located, and then remove it:

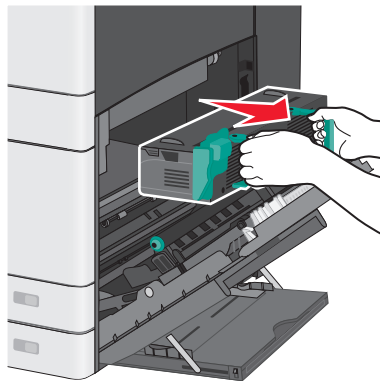
- a If the paper is visible under the fuser, then grasp it on each side and pull it out.



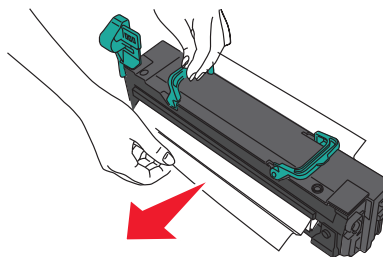
- b If the paper is not visible, then you will need to remove the fuser unit.

Warning—Potential Damage: Do not touch the center of the fuser unit. Doing so will damage the fuser.

- 1 Lift the handles on each side of the fuser, and then pull to remove the fuser unit.



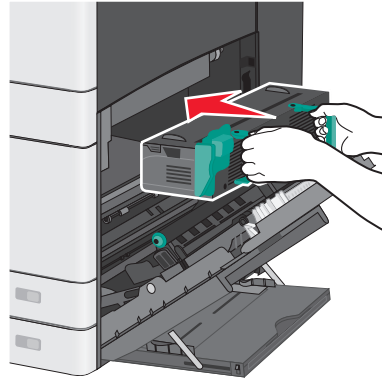
- 2 Remove the jammed paper.



Notes:

- Make sure all paper fragments are removed.
- Pull the jammed paper downwards.

- If the paper is in the fuser, then the fuser nip release lever should be lowered and should be switched to envelope mode.
 - After removing the jammed paper, return the lever to the proper position.
- 3 Align the fuser unit using the handles on each side, and then place it back into the printer.

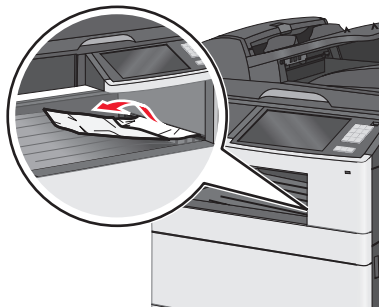


- 3 Close the side door.

- 4 Touch **Continue, jam cleared.**

203 paper jam

- 1 Grasp any jammed paper visible in the standard exit bin, and then gently pull it out.




Notes:

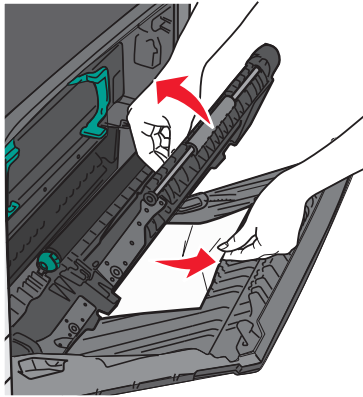
- Make sure all paper fragments are removed.
- If the page is in the fuser, then the fuser nip release lever should be lowered and should be switched to envelope mode.
- After removing the jammed page, return the lever to the proper position.

- 2 Touch **Continue, jam cleared.**

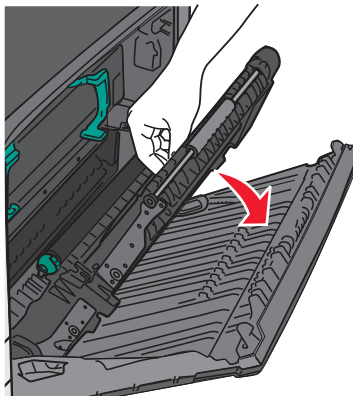
230 paper jam

- 1 Open the side door.
- 2 Hold onto the handles of the duplexing unit, open the cover, and then remove any jammed paper.

 **CAUTION—HOT SURFACE:** The inside of the printer might be hot. To reduce the risk of injury from a hot component, allow the surface to cool before touching.




- 3 Close the cover on the duplexing unit.

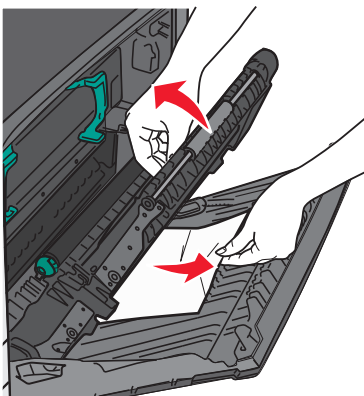


- 4 Close the side door.
- 5 Touch **Continue, jam cleared.**

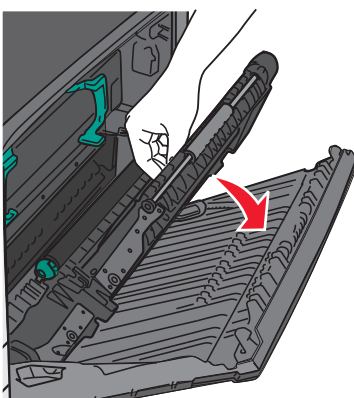
231–239 paper jams

- 1 Open the side door.
- 2 Hold onto the handles of the duplexing unit, open the cover, and then remove any jammed paper.

 **CAUTION—HOT SURFACE:** The inside of the printer might be hot. To reduce the risk of injury from a hot component, allow the surface to cool before touching.



3 Close the cover of the duplexing unit.



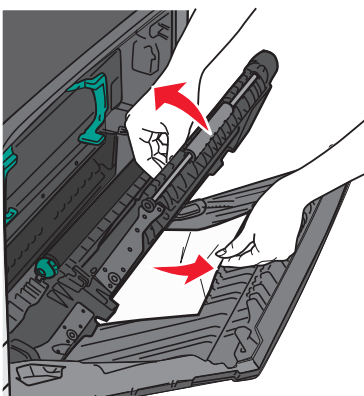
4 Close the side door.

5 Touch **Continue, jam cleared.**

24x paper jam

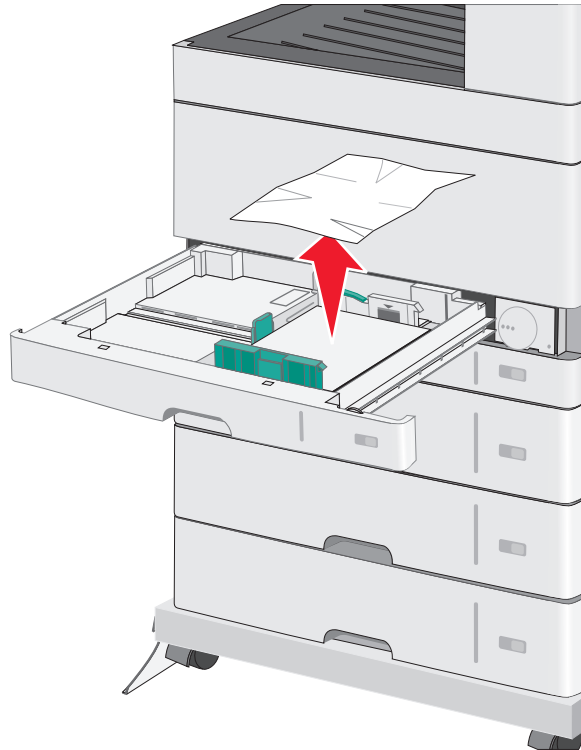
Paper jam in Tray 1

1 Check the side access door to trays and then pull the jammed pages out.



Note: Make sure all paper fragments are removed.

- 2 Open Tray 1, and then pull the jammed pages straight up and out.

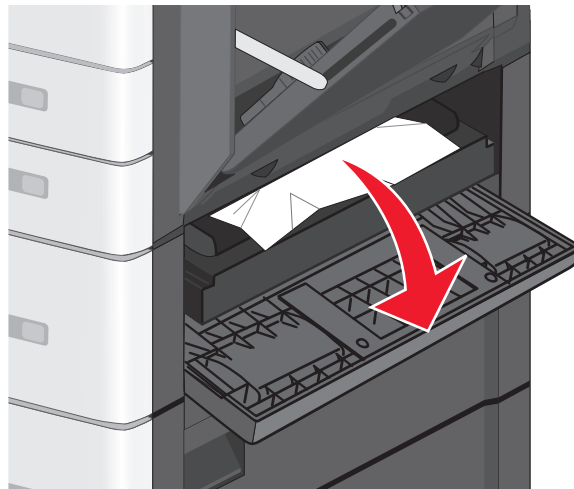


Note: Make sure all paper fragments are removed.

- 3 Close Tray 1.
- 4 Touch **Continue, jam cleared**.

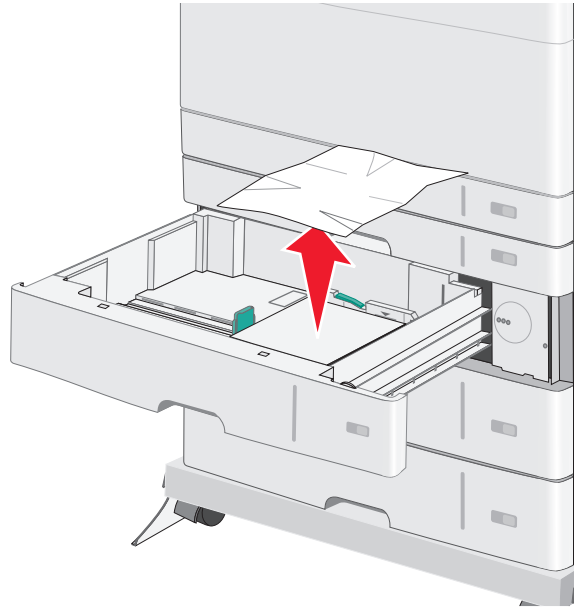
Paper jam in one of the optional trays

- 1 Check the side access door to trays and then pull the jammed pages out.



Note: Make sure all paper fragments are removed.

- 2 Open the specified tray, and then pull the jammed pages out.



Note: Make sure all paper fragments are removed.

- 3 Close the tray.
- 4 Touch **Continue, jam cleared.**

250 paper jam

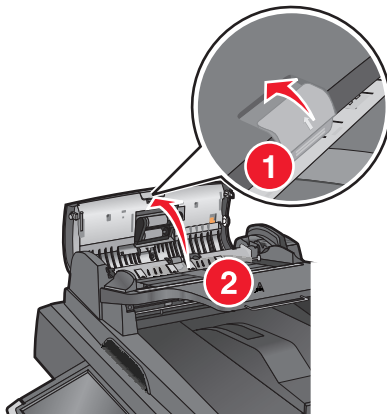
- 1 Remove any jammed pages from the multipurpose feeder.



- 2 Load paper into the multipurpose feeder.
- 3 Touch **Continue, jam cleared**.

280–289 paper jams

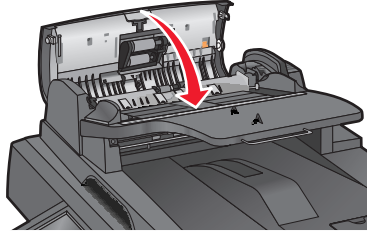
- 1 Remove all original documents from the ADF.
- 2 Open the ADF cover.



3 Grasp the jammed paper on each side, and then gently pull it out.

Note: Make sure all paper fragments are removed.

4 Close the ADF cover.



5 Reload original documents back into the ADF, straighten the stack, and then adjust the paper guide.

6 From the printer control panel, touch **Continue, jam cleared**.

290–292 paper jams

290 paper jam

Close the ADF cover.

291 paper jam

Close the scanner glass cover.

292 paper jam

Try one of more of the following:

- Close the ADF cover.
- Close the scanner cover.
- Contact your system support system person.

451 paper jam

1 Open the scanner cover, and then remove any jammed paper.

2 Close the scanner cover.

3 Touch **Continue, jam cleared**.

Troubleshooting

Solving basic printer problems

If there are basic printer problems, or the printer is unresponsive, make sure:

- The power cord is plugged into the printer and a properly grounded electrical outlet.
- The electrical outlet is not turned off by any switch or breaker.
- The printer is not plugged into any surge protectors, uninterrupted power supplies, or extension cords.
- Other electronic equipment plugged into the outlet is working.
- The printer is turned on. Check the printer power switch.
- The printer cable is securely attached to the printer and the host computer, print server, option, or other network device.
- All options are properly installed.
- The printer driver settings are correct.

Once you have checked each of these possibilities, turn the printer off, wait for about 10 seconds, and then turn the printer back on. This often fixes the problem.

Understanding printer messages

Adjusting color

Wait for the process to complete.

An error has occurred with the USB drive. Please remove and reinsert drive.

Try one or more of the following:

- Remove and reinsert the flash drive.
- If the error message remains, the flash memory may be defective and require replacement.

Change [paper source] to [custom type name]

Try one or more of the following:

- Touch **Use current [paper source]** to ignore the message and print from the selected tray.
- Load the correct paper size and type in the tray, verify the paper size and type settings are specified in the printer control panel Paper menu, and then touch **Paper changed, continue**.
- Touch **Cancel job** to cancel the print job.

Change [paper source] to [custom type name] load [orientation]

Try one or more of the following

- Touch **Use current [paper source]** to ignore the message and print from the selected tray.
- Load the correct paper size and type in the tray, verify the paper size and type settings are specified in the printer control panel Paper menu, and then touch **Paper changed, continue.**
- Touch **Cancel job** to cancel the print job.

Change [paper source] to [custom string]

Try one or more of the following:

- Touch **Use current [paper source]** to ignore the message and print from the selected tray.
- Load the correct paper size and type in the tray, verify the paper size and type settings are specified in the printer control panel Paper menu, and then touch **Paper changed, continue.**
- Touch **Cancel job** to cancel the print job.

Change [paper source] to [custom string] load [orientation]

Try one or more of the following:

- Touch **Use current [paper source]** to ignore the message and print from the selected tray.
- Load the correct paper size and type in the tray, verify the paper size and type settings are specified in the printer control panel Paper menu, and then touch **Paper changed, continue.**
- Touch **Cancel job** to cancel the print job.

Change [paper source] to [paper size] [paper type]

Try one or more of the following:

- Touch **Use current [paper source]** to ignore the message and print from the selected tray.
- Load the correct paper size and type in the tray, verify the paper size and type settings are specified in the printer control panel Paper menu, and then touch **Paper changed, continue.**
- Touch **Cancel job** to cancel the print job.

Change [paper source] to [paper size] [paper type] load [orientation]

Try one or more of the following:

- Touch **Use current [paper source]** to ignore the message and print from the selected tray.
- Load the correct paper size and type in the tray, verify the paper size and type settings are specified in the printer control panel Paper menu, and then touch **Paper changed, continue.**
- Touch **Cancel job** to cancel the print job.

Close [tray] door

Close the specified tray door.

Close front or side door

Close the front or side door of the printer.

Disk corrupted

The printer attempted a hard disk recovery on a corrupted hard disk, and the hard disk cannot be repaired. The hard disk must be reformatted.

Touch **Format disk** to reformat the printer hard disk and clear the message.

Note: Formatting deletes all the files stored on the printer hard disk.

Disk near full. Securely clearing disk space.

Try one or more of the following:

- Touch **Continue** to clear the message and continue printing.
- Delete fonts, macros, and other data stored on the printer hard disk.
- Install a hard disk with higher capacity.

Disk problem

The printer hard disk must be reformatted.

Touch **Format disk** to reformat the printer hard disk and clear the message.

Note: Formatting deletes all the files stored on the printer hard disk.

Error reading USB drive. Remove USB.

An unsupported USB device has been inserted. Remove the USB device, and then install a supported one.

Insert Tray [x]

Insert the specified tray into the printer.

Install Tray [x]

Try one or more of the following:

- Install the specified tray:
 - 1 Turn the printer off.
 - 2 Unplug the power cord from the wall outlet.
 - 3 Install the specified tray.
 - 4 Connect the power cord to a properly grounded electrical outlet.
 - 5 Turn the printer back on.
- Cancel the print job.

Load [src] with [custom type name]

Try one or more of the following:

- Load the specified paper in the tray or feeder.
- Touch **Paper loaded, continue** to clear the message and continue printing.

If the printer finds a tray that has the correct paper type and size, it feeds from that tray. If the printer cannot find a tray with the correct paper type and size, it prints from the default paper source.

- Cancel the print job.

Load [src] with [custom string]

Try one or more of the following:

- Load the specified paper in the tray or feeder.
- Touch **Paper loaded, continue** to clear the message and continue printing.

If the printer finds a tray that has the correct paper type and size, it feeds from that tray. If the printer cannot find a tray with the correct paper type and size, it prints from the default paper source.

- Cancel the print job.

Load [src] with [size]

Try one or more of the following:

- Load the specified paper in the tray or feeder.
- Touch **Paper loaded, continue** to clear the message and continue printing.

If the printer finds a tray that has the correct paper type and size, it feeds from that tray. If the printer cannot find a tray with the correct paper type and size, it feeds from the default paper source.

- Cancel the print job.

Load [src] with [type] [size]

Try one or more of the following:

- Load the specified paper in the tray or feeder.
- Touch **Paper loaded, continue** to clear the message and continue printing.

If the printer finds a tray that has the correct paper type and size, it feeds from that tray. If the printer cannot find a tray with the correct paper type and size, it feeds from the default paper source.

- Cancel the print job.

Load Manual Feeder with [custom type name]

Try one or more of the following:

- Load the specified paper in the manual feeder.
- Touch **Prompt each page, paper loaded** or **Do not prompt, paper loaded** to clear the message and continue printing.
- Touch **Automatically select paper** to use the paper loaded in the tray.
- Cancel the print job.

Load Manual Feeder with [custom string]

Try one or more of the following:

- Load the specified paper in the manual feeder.
- Touch **Prompt each page, paper loaded** or **Do not prompt, paper loaded** to clear the message and continue printing.
- Touch **Automatically select paper** to use the paper loaded in the tray.
- Cancel the print job.

Load Manual Feeder with [paper size]

Try one or more of the following:

- Load the specified paper in the manual feeder.
- Touch **Prompt each page, paper loaded** or **Do not prompt, paper loaded** to clear the message and continue printing.
- Touch **Automatically select paper** to use the paper loaded in the tray.
- Cancel the print job.

Load Manual Feeder with [paper type] [paper size]

Try one or more of the following:

- Load the specified paper in the manual feeder.
- Touch **Prompt each page, paper loaded** or **Do not prompt, paper loaded** to clear the message and continue printing.
- Touch **Automatically select paper** to use the paper loaded in the tray.
- Cancel the print job.

Paper changes needed

Try one or more of the following:

- Touch **Use current supplies** to clear the message and continue printing.
- Cancel the current print job.

Remove paper from standard output bin

Remove the paper stack from the standard output bin.

Replace separator pad

Install a new separator pad.

Restore held jobs?

Try one or more of the following:

- Touch **Restore** to restore all held jobs stored on the printer hard disk.
- Touch **Do not restore** if you do not want any print jobs to be restored.

Some held jobs were not restored

Touch **Continue** to delete the specified job.

Note: Held jobs that are not restored stay on the hard disk and are inaccessible.

Supply needed to complete job

A supply needed to complete the job is missing. Touch **Cancel** to clear the message.

Tray [x] paper size unsupported

The paper size in the specified tray is unsupported. Replace it with a supported paper size.

Unsupported disk

An unsupported disk has been inserted. Remove the unsupported disk, and then install a supported one.

1565 Emulation error, load emulation option

The printer automatically clears the message in 30 seconds, and then disables the download emulator on the firmware card.

30.xx Missing [color] cartridge and/or [color] imaging unit

Try one or more of the following:

- Remove and reinstall the specified toner cartridge or imaging unit. For instructions on removing a toner cartridge or imaging unit, touch **More information**.
- Install a new toner cartridge or imaging unit, following the instruction sheet that came with the replacement part.

31.xx Missing or defective [color] cartridge

Try one or more of the following:

- 1 Remove and reinstall the specified print cartridge.

For instructions on removing a print cartridge, touch **More Information**.

- 2 Touch **Continue** to clear the message.

Note: If the message is not cleared, then replace the defective print cartridge.

32.xx [color] cartridge part number unsupported by device

Remove the unsupported toner cartridge, and then install a supported one.

34 Incorrect paper size, open [src]

Try one or more of the following:

- Load the appropriate paper or specialty media in the proper tray.
- Confirm that the wheel on tray 1 is set to the paper size loaded in the tray. Make sure this size is the size you are trying to print.
- Touch **Continue** to clear the message and print using a different tray.
- Check length and width guides of the tray and make sure the paper is properly loaded in the tray.
- Make sure the Print Properties or Print dialog settings have the correct paper size and type.
- Check that the paper size is correctly set. For example, if the MP Feeder Size is set to Universal, make sure the paper is large enough for the data being printed.
- Cancel the print job.

35 Insufficient memory to support Resource Save feature

Try one or more of the following:

- Touch **Continue** to disable Resource Save and continue printing.
- To enable Resource Save after receiving this message, make sure the link buffers are set to Auto, and then exit the menus to activate the link buffer changes. When **Ready** appears, enable Resource Save.
- Install additional memory.

36 Printer service required

Touch **Continue** to clear the message or contact customer support.

37 Insufficient memory to collate job

Try one or more of the following:

- Touch **Continue** to print the portion of the job already stored and begin collating the rest of the print job.
- Cancel the current print job.

37 Insufficient memory for Flash Memory Defragment operation

Try one or more of the following:

- Touch **Continue** to stop the defragment operation and continue printing.
- Delete fonts, macros, and other data in printer memory.
- Install additional printer memory.

37 Insufficient memory, some Held Jobs were deleted

The printer deleted some held jobs in order to process current jobs.

Touch **Continue** to clear the message.

37 Insufficient memory, some held jobs will not be restored

The printer was unable to restore some or all of the confidential or held jobs on the printer hard disk.

Touch **Continue** to clear the message.

38 Memory full

Try one or more of the following:

- Touch **Cancel job** to clear the message.
- Install additional printer memory.

39 Complex page, some data may not have printed

Try one or more of the following:

- Touch **Continue** to clear the message and continue printing.
- Cancel the current print job.
- Install additional printer memory.

51 Defective flash detected

Try one or more of the following:

- Touch **Continue** to clear the message and continue printing.
- Cancel the current print job.

52 Not enough free space in flash memory for resources

Try one or more of the following:

- Touch **Continue** to clear the message and continue printing.
Downloaded fonts and macros not previously stored in flash memory are deleted.
- Delete fonts, macros, and other data stored in flash memory.
- Upgrade to a larger capacity flash memory card.

53 Unformatted flash detected

Try one or more of the following:

- Touch **Continue** to stop the defragment operation and continue printing.
- Format the flash memory. If the error message remains, the flash memory may be defective and require replacing.

54 Serial option [x] error

Try one or more of the following:

- Check that the serial cable is properly connected and is the correct one for the serial port.
- Check that the serial interface parameters (protocol, baud, parity, and data bits) are set correctly on the printer and host computer.

- Touch **Continue** to continue printing.
- Turn the printer power off and then back on to reset the printer.

54 Standard network software error

Try one or more of the following:

- Touch **Continue** to continue printing.
- Turn the printer off and then back on to reset the printer.
- Upgrade (flash) the network firmware in the printer or print server.

54 Network [x] software error

Try one or more of the following:

- Touch **Continue** to continue printing.
- Turn the printer off, wait for about 10 seconds, and then turn the printer back on.
- Upgrade (flash) the network firmware in the printer.

55 Unsupported option in slot [x]

- 1 Turn the printer off.
- 2 Unplug the power cord from the wall outlet.
- 3 Remove the unsupported option card from the printer system board, and then replace it with a supported card.
- 4 Connect the power cord to a properly grounded electrical outlet.
- 5 Turn the printer back on.

56 Parallel port [x] disabled

Try one or more of the following:

- Touch **Continue** to clear the message.
The printer discards any data received through the parallel port.
- Make sure the Parallel Buffer menu item is not set to Disabled.

56 Serial port [x] disabled

Try one or more of the following:

- Touch **Continue** to clear the message.
The printer discards any data received through the serial port.
- Make sure the Serial Buffer menu is not set to Disabled.

56 Standard parallel port disabled

Try one or more of the following:

- Touch **Continue** to clear the message.
The printer discards any data received through the parallel port.
- Make sure the Parallel Buffer menu item is not set to Disabled.

56 Standard USB port disabled

Try one or more of the following:

- Touch **Continue** to clear the message.
The printer discards any data received through the USB port.
- Make sure the USB Buffer menu item is not set to Disabled.

56 USB port [x] disabled

Try one or more of the following:

- Touch **Continue** to clear the message.
The printer discards any data received through the USB port.
- Make sure the USB Buffer menu is not set to Disabled.

57 Configuration change, some held jobs were not restored

Something has changed in the printer to invalidate the held jobs. Possible changes include:

- The printer firmware has been updated.
- Paper input options needed for the print job were removed.
- The print job was created using data from a device in the USB port and the device is no longer in the USB port.
- The printer hard disk contains print jobs that were stored while installed in a different printer model.

Touch **Continue** to clear the message.

58 Input config error

- 1 Turn the printer off.
- 2 Unplug the power cord from the wall outlet.
- 3 Check if all tray configurations are correct. Remove unnecessary trays if needed.
- 4 Connect the power cord to a properly grounded electrical outlet.
- 5 Turn the printer back on.

58 Too many disks installed

- 1 Turn the printer off.
- 2 Unplug the power cord from the wall outlet.

- 3 Remove the excess disks.
- 4 Connect the power cord to a properly grounded electrical outlet.
- 5 Turn the printer back on.

58 Too many flash options installed

- 1 Turn the printer off.
- 2 Unplug the power cord from the wall outlet.
- 3 Remove the excess flash memory.
- 4 Connect the power cord to a properly grounded outlet.
- 5 Turn the printer back on.

58 Too many trays attached

- 1 Turn the printer off.
- 2 Unplug the power cord from the wall outlet.
- 3 Remove the additional trays.
- 4 Connect the power cord to a properly grounded outlet.
- 5 Turn the printer back on.

61 Remove defective disk

Try one or more of the following:

- Remove the defective printer hard disk.
- Install a different printer hard disk before performing any operations that require a printer hard disk.

62 Disk full

Try one or more of the following:

- Touch **Continue** to clear the message and continue processing.
- Delete fonts, macros, and other data stored on the printer hard disk.
- Install a printer hard disk with larger capacity.

80.xx Fuser near life warning

- 1 Order a replacement fuser immediately.
- 2 When print quality is reduced, install the new fuser, following the instruction sheet that came with the replacement part.
- 3 Touch **Continue** to clear the message and continue printing.

80.xx Fuser life warning

- Order a replacement fuser immediately. When print quality is reduced, install the new fuser, following the instruction sheet that came with the replacement part.
- Touch **Continue** to clear the message and continue printing.

80.xx Replace fuser

Replace the fuser using the instruction sheet that came with the replacement part.

80.xx Fuser missing

- 1 Replace the fuser, following the instruction sheet that came with the replacement part.
- 2 Touch **Continue** to clear the message and continue printing.

82.xx Replace waste toner bottle

- 1 Replace the waste toner bottle.
For instructions on replacing the waste toner bottle, from the printer control panel touch **More Information**.
- 2 Touch **Continue** to clear the message and continue printing.

82.xx Waste toner bottle nearly full

Order a replacement waste toner bottle immediately.

- 1 Replace the waste toner bottle.
For instructions on installing the waste toner bottle, from the printer control panel touch **More Information**.
- 2 Touch **Continue** to clear the message and continue printing.

83.xx Transfer module life warning

- 1 Replace the transfer module, following the instruction sheet that came with the replacement part.
- 2 Touch **Continue** to clear the message and continue printing.

83.xx Transfer module missing

Insert the transfer module into the printer.

83.xx Replace transfer module

Replace the transfer module, following the instruction sheet that came with the replacement part.

84 Defective [color] imaging unit

The specified imaging unit is either missing or not functioning properly. Try one or more of the following:

- Remove the specified imaging unit, and then reinstall it.
- Remove the specified imaging unit, and then install a new one.

84.xx [color] imaging unit nearly low

- 1 Order a replacement imaging unit.
- 2 When print quality is reduced, install the new imaging unit, following the instruction sheet that came with the replacement part.
- 3 Touch **Continue** to clear the message and continue printing.

84.xx [color] imaging unit low

- 1 Order a replacement imaging unit immediately.
- 2 When print quality is reduced, install the new imaging unit, following the instruction sheet that came with the replacement part.
- 3 Touch **Continue** to clear the message and continue printing.

84.xx Replace [color] imaging unit and [color] cartridge

- 1 Replace the imaging unit and color cartridge, following the instruction sheets that came with the replacement parts.
- 2 Touch **Continue** to clear the message and continue printing.

84 Unsupported [color] imaging unit

Replace the specified imaging unit to continue printing.

88.xx [color] cartridge nearly low

- 1 Order a replacement toner cartridge.
- 2 Remove the specified cartridge.
- 3 Firmly shake the cartridge side-to-side and front-to-back several times to redistribute the toner.
- 4 Reinsert the cartridge, and then touch **Continue** to clear the message and continue printing.

Note: Repeat this procedure multiple times until the print remains faded, and then replace the cartridge.

88.xx [color] cartridge low

- 1 Order a replacement toner cartridge immediately.
- 2 Remove the specified cartridge.

3 Firmly shake the cartridge side-to-side and front-to-back several times to redistribute the toner.

4 Reinsert the cartridge, and then touch **Continue** to clear the message and continue printing.

Note: Repeat this procedure multiple times until the print remains faded, and then replace the cartridge.

88.2x Replace [color] cartridge

The specified toner cartridge is empty.

1 Replace the specified toner cartridge.

2 Touch **Continue** to clear the message and continue printing.

Solving printing problems

Multiple-language PDF files do not print

The PDF files may contain unavailable fonts.

1 Open the document you want to print in Adobe Acrobat.

2 Click the printer icon > **Advanced** > **Print as image** > **OK** > **OK**.

Printer control panel display is blank or displays only diamonds

The printer self test failed. Turn the printer off, wait about 10 seconds, and then turn the printer on.

If **Ready** does not appear, then turn the printer off and contact Customer Support.

Error message about reading USB drive appears

Make sure the flash drive is supported.

Print jobs do not print

Try one or more of the following:

MAKE SURE THERE IS NO PROBLEM WITH YOUR PRINTER

From the printer control panel, check the status. If necessary, follow the recovery instructions.

MAKE SURE THE PRINTER IS READY TO PRINT

Make sure **Ready** appears on the display before sending a print job.

CHECK IF A SUPPLY IS MISSING OR NEEDS REPLACEMENT

Remove and then reinstall or replace the supply.

CHECK IF THE STANDARD EXIT BIN IS FULL

Remove the paper stack from the standard exit bin.

CHECK IF THE PAPER TRAY IS EMPTY

Load paper in the tray.

MAKE SURE THE CORRECT PRINTER SOFTWARE IS INSTALLED

- Verify that you are using the correct printer software.
- If the printer is connected to your computer through a USB port, then make sure you are running a supported operating system and using a compatible printer software.

MAKE SURE THE INTERNAL PRINT SERVER IS WORKING PROPERLY

- Make sure the internal print server is properly installed and that the printer is connected to the network.
- Print a network setup page and check that the status shows **Connected**. If the status is **Not Connected**, then check the network cables, and then try printing the network setup page again. Contact your system support person to make sure the network is functioning correctly.

The printer software is available on the Lexmark Web site at <http://support.lexmark.com>.

MAKE SURE YOU ARE USING A RECOMMENDED **USB**, **SERIAL**, OR **ETHERNET** CABLE

For more information, visit the Lexmark Web site at <http://support.lexmark.com>.

MAKE SURE PRINTER CABLES ARE SECURELY CONNECTED

Check the cable connections to the printer and print server to make sure they are secure.

For more information, see the setup documentation that came with the printer.

Confidential and other held jobs do not print

These are possible solutions. Try one or more of the following:

PARTIAL JOB, NO JOB, OR BLANK PAGE PRINTS

The print job may contain a formatting error or invalid data.

- Delete the print job, and then print it again.
- For PDF documents, recreate the PDF and then print it again.

If you are printing from the Internet, then the printer may be reading multiple job titles as duplicates and deleting all jobs except the first one.

- For Windows users, open Print Properties. From the Print and Hold dialog, select the "Keep duplicate documents" check box under the User name text box before entering a PIN number.
- For Macintosh users, save each print job, naming each job differently, and then send the individual jobs to the printer.

MAKE SURE THE PRINTER HAS SUFFICIENT MEMORY

Free up additional printer memory by scrolling through the list of held jobs and deleting some of them.

Print job takes longer than expected

Try one or more of the following:

REDUCE THE COMPLEXITY OF THE PRINT JOB

Eliminate the number and size of fonts, the number and complexity of images, and the number of pages in the print job.

TURN OFF THE PAGE PROTECT SETTING

From the home screen, navigate to:



> Settings > General Settings > Print Recovery > Page Protect > Off > 

CHANGE THE ENVIRONMENTAL SETTINGS

When using Eco-Mode or Quiet Mode settings, you may notice a reduction in performance.

Job prints from the wrong tray or on the wrong paper

CHECK THE PAPER TYPE AND PAPER SIZE SETTINGS

Make sure the paper type setting matches the paper loaded in the tray:

- 1 From the printer control panel Paper menu, check the paper type and paper size settings.
- 2 Before sending the job to print, specify the correct type setting:
 - For Windows users, specify the paper type from Print Properties.
 - For Macintosh users, specify the paper type from the Print dialog.

Incorrect characters print

- Make sure the printer is not in Hex Trace mode. If **Ready Hex** appears on the display, you must exit Hex Trace mode before you can print your job. Turn the printer off and back on to exit Hex Trace mode.
- Make sure the SmartSwitch settings are set to On in the Network and USB menus.

Tray linking does not work

These are possible solutions. Try one or more of the following:

LOAD THE SAME SIZE AND TYPE OF PAPER

- Load the same size and type of paper in each tray to be linked.
- Move the paper guides to the correct positions for the paper size loaded in each tray.

USE THE SAME PAPER SIZE AND PAPER TYPE SETTINGS

- Print a menu settings page and compare the settings for each tray.
- If necessary, adjust the settings from the Paper Size/Type menu.

Note: The standard 550-sheet tray and the multipurpose feeder do not automatically sense the paper size. You must set the size from the Paper Size/Type menu.

Large jobs do not collate

These are possible solutions. Try one or more of the following:

MAKE SURE COLLATE IS SET TO ON

From the Finishing menu or Print Properties, set Collate to On.

Note: Setting Collate to Off in the software overrides the setting in the Finishing menu.

REDUCE THE COMPLEXITY OF THE PRINT JOB

Reduce the complexity of the print job by eliminating the number and size of fonts, the number and complexity of images, and the number of pages in the job.

MAKE SURE THE PRINTER HAS ENOUGH MEMORY

Add printer memory or an optional hard disk.

Unexpected page breaks occur

INCREASE THE PRINT TIMEOUT VALUE

- 1 From the home screen, navigate to:

 > **Settings** > **General Settings** > **Timeouts**

- 2 Touch the left or right arrow next to **Print Timeout** until the desired value appears.
- 3 Touch **Submit**.

Solving copy problems

Copier does not respond

These are possible solutions. Try one or more of the following:

CHECK THE DISPLAY FOR ERROR MESSAGES

Clear any error messages.

CHECK THE POWER

Make sure the printer is plugged in, the power is on, and **Ready** appears.

Scanner unit does not close

Make sure there are no obstructions:

- 1 Lift the scanner unit.
- 2 Remove any obstruction keeping the scanner unit open.
- 3 Lower the scanner unit.

Poor copy quality

These are some examples of poor copy quality:

- Blank pages
- Checkerboard pattern
- Distorted graphics or pictures
- Missing characters
- Faded print
- Dark print
- Skewed lines
- Smudges
- Streaks
- Unexpected characters
- White lines in print

Try one or more of the following:

CLEAR ANY ERROR MESSAGES

Check the display and clear any error messages.

REPLACE THE TONER OR PRINT CARTRIDGE

When the print remains faded, replace the toner or print cartridge.

CLEAN THE SCANNER GLASS

The scanner glass may be dirty. Clean the scanner glass with a clean, lint-free cloth dampened with water.

For more information, see “Cleaning the scanner glass” on page 233.

ADJUST THE TONER DARKNESS OF THE COPY

Adjust the toner darkness from the Copy menus.

MAKE SURE THE QUALITY OF THE ORIGINAL DOCUMENT IS SATISFACTORY

Check the quality of the original document.

PLACE THE ORIGINAL DOCUMENT PROPERLY



Make sure the document or photo is loaded facedown on the scanner glass in the upper left corner.

MAKE SURE TO USE THE APPROPRIATE COPY SETTINGS

When patterns (moiré) appear in the output:

- On the Copy screen make sure the Content Type and Source settings are appropriate for the document being scanned.
- From the Copy screen, navigate to:
Advanced Options > Advanced Imaging > Sharpness > lower the Sharpness setting
- On the Copy screen, make sure no scaling is being selected.

When the text is light or disappearing:

- From the Copy screen, navigate to:
Content > Text >  > select the appropriate source for the original document being copied > 
- From the Copy screen, navigate to:
Advanced Options > Advanced Imaging > Sharpness > increase the current setting
- From the Copy screen, navigate to:
Advanced Options > Advanced Imaging > Background removal, and then reduce the current setting
- From the Copy screen, navigate to:
Advanced Options > Advanced Imaging > Contrast > increase the current setting
- From the Copy screen, navigate to:
Advanced Options > Advanced Imaging > Shadow detail > reduce the current setting

When the output appears washed out or overexposed:

- On the Copy screen make sure the Content Type and Source settings are appropriate for the document being scanned.
- From the Copy screen, adjust the Darkness setting.
- From the Copy screen, navigate to:
Advanced Options > Advanced Imaging > Shadow detail > reduce the current setting
- From the Copy screen, navigate to:
Advanced Options > Advanced Imaging > Background removal > reduce the current setting

Partial document or photo copies

These are possible solutions. Try one or more of the following:

CHECK THE DOCUMENT PLACEMENT

Make sure the document or photo is loaded facedown on the scanner glass in the upper left corner.

CHECK THE PAPER SIZE SETTING

Make sure the paper size setting matches the paper loaded in the tray:

- 1 From the printer control panel, check the Paper Size setting from the Paper menu.
- 2 Before sending the job to print, specify the correct size setting:
 - For Windows users, specify the size from Print Properties.
 - For Macintosh users, specify the size from the Page Setup dialog.

Solving scanner problems

Checking an unresponsive scanner

If your scanner is not responding, then make sure:

- The printer is turned on.
- The printer cable is securely attached to the printer and the host computer, print server, option, or other network device.
- The power cord is plugged into the printer and a properly grounded electrical outlet.
- The electrical outlet is not turned off by any switch or breaker.
- The printer is not plugged into any surge protectors, uninterruptible power supplies, or extension cords.
- Other electrical equipment plugged into the outlet is working.

Once you have checked each of these possibilities, turn the printer off and then back on. This often fixes the problem with the scanner.

Scan was not successful

These are possible solutions. Try one or more of the following:

CHECK THE CABLE CONNECTIONS

Make sure the network or USB cable is securely connected to the computer and the printer.

AN ERROR MAY HAVE OCCURRED IN THE PROGRAM

Turn off and then restart the computer.

Scanning takes too long or freezes the computer

These are possible solutions. Try one or more of the following:

OTHER SOFTWARE PROGRAMS MAY BE INTERFERING WITH SCANNING

Close all programs not being used.

THE SCAN RESOLUTION MAY BE SET TOO HIGH

Select a lower scan resolution.

Poor scanned image quality

These are possible solutions. Try one or more of the following:

CHECK THE DISPLAY FOR ERROR MESSAGES

Clear any error messages.

THE SCANNER GLASS MAY BE DIRTY

Clean the scanner glass with a clean, lint-free cloth dampened with water. For more information, see “Cleaning the scanner glass” on page 233.

ADJUST THE SCAN RESOLUTION

Increase the resolution of the scan for a higher quality output.

CHECK THE QUALITY OF THE ORIGINAL DOCUMENT

Make sure the quality of the original document is satisfactory.

CHECK THE DOCUMENT PLACEMENT

Make sure the document or photo is loaded facedown on the scanner glass in the upper left corner.

Partial document or photo scans

These are possible solutions. Try one or more of the following:

CHECK THE DOCUMENT PLACEMENT

Make sure the document or photo is loaded facedown on the scanner glass in the upper left corner.

CHECK THE PAPER SIZE SETTING

Make sure the paper size setting matches the paper loaded in the tray:

- 1** From the printer control panel, check the Paper Size setting from the Paper menu.
- 2** Before sending the job to print, specify the correct size setting:
 - For Windows users, specify the size from Print Properties.
 - For Macintosh users, specify the size from the Page Setup dialog.

Cannot scan from a computer

These are possible solutions. Try one or more of the following:

CHECK THE DISPLAY FOR ERROR MESSAGES

Clear any error messages.

CHECK THE POWER

Make sure the printer is plugged in, the power is on, and **Ready** appears.

CHECK THE CABLE CONNECTIONS

Make sure the network or USB cable is securely connected to the computer and the printer.

Solving fax problems

Fax and e-mail functions are not set up

The indicator light blinks red until you set up fax and e-mail. To set up fax and e-mail, follow these steps:

Note: Before completing these instructions for a printer on a network, make sure the fax cables are connected.

1 From the home screen, navigate to:



> **General Settings** > **Run initial setup** > **Yes** > **Submit**

2 Turn the printer off, and then turn it back on.

3 From the printer control panel, touch your language.

4 Touch your country or region, and then touch **Continue**.

5 Select your time zone, and then touch **Continue**.

6 Touch **Fax** and **E-mail** to clear the icons, and then touch **Continue**.

Note: You can use these same steps to disable fax and e-mail.

Caller ID is not shown

Contact your telecommunications company to verify that your telephone line is subscribed to the caller ID service.

If your region supports multiple caller ID patterns, you may have to change the default setting. There are two settings available: FSK (pattern 1) and DTMF (pattern 2). The availability of these settings by way of the Fax menu depends on whether your country or region supports multiple caller ID patterns. Contact your telecommunications company to determine which pattern or switch setting to use.

Cannot send or receive a fax

These are possible solutions. Try one or more of the following:

CHECK THE DISPLAY FOR ERROR MESSAGES

Clear any error messages.

CHECK THE POWER

Make sure the printer is plugged in, the power is on, and **Ready** appears.

CHECK THE PRINTER CONNECTIONS

Make sure the cable connections for the following hardware are secure, if applicable:

- Telephone
- Handset
- Answering machine

CHECK THE TELEPHONE WALL JACK

- 1 Plug a telephone into the wall jack.
- 2 Listen for a dial tone.
- 3 If you do not hear a dial tone, then plug a different telephone into the wall jack.
- 4 If you still do not hear a dial tone, then plug a telephone into a different wall jack.
- 5 If you hear a dial tone, then connect the printer to that wall jack.

REVIEW THIS DIGITAL PHONE SERVICE CHECKLIST

The fax modem is an analog device. Certain devices can be connected to the printer so that digital telephone services can be used.

- If you are using an ISDN telephone service, then connect the printer to an analog telephone port (an R-interface port) on an ISDN terminal adapter. For more information and to request an R-interface port, contact your ISDN provider.
- If you are using DSL, then connect to a DSL filter or router that will support analog use. For more information, contact your DSL provider.
- If you are using a PBX telephone service, then make sure you are connecting to an analog connection on the PBX. If none exists, consider installing an analog telephone line for the fax machine.

CHECK FOR A DIAL TONE

- Place a test call to the telephone number to which you want to send a fax to make sure that it is working correctly.
- If the telephone line is being used by another device, then wait until the other device is finished before sending a fax.
- If you are using the On Hook Dial feature, then turn up the volume to verify a dial tone.

TEMPORARILY DISCONNECT OTHER EQUIPMENT

To ensure the printer is working correctly, connect it directly to the telephone line. Disconnect any answering machines, computers with modems, or telephone line splitters.

CHECK FOR JAMS

Clear any jams, and then make sure that **Ready** appears.

TEMPORARILY DISABLE CALL WAITING

Call Waiting can disrupt fax transmissions. Disable this feature before sending or receiving a fax. Call your telephone company to obtain the keypad sequence for temporarily disabling Call Waiting.

VOICE MAIL SERVICE MAY BE INTERFERING WITH THE FAX TRANSMISSION

Voice Mail offered through your local telephone company may disrupt fax transmissions. To enable both Voice Mail and the printer to answer calls, you may want to consider adding a second telephone line for the printer.

THE PRINTER MEMORY MAY BE FULL

- 1 Dial the fax number.
- 2 Scan the original document one page at a time.

Can send but not receive faxes

Try one or more of the following:

LOAD PAPER

If the tray is empty, then load paper in the tray or feeder.

CHECK THE RING COUNT DELAY SETTINGS

The ring count delay sets the number of times the phone rings before the printer answers. If you have extension phones on the same line as the printer, or subscribe to the telephone company's Distinctive Ring service, then keep the Ring Delay setting at 4.

- 1 Type the printer IP address in the address field of your Web browser.
If you do not know the IP address of the printer, then you can:
 - View the IP address on the printer control panel in the TCP/IP section under the Networks/Ports menu.
 - Print a network setup page or the menu settings pages and locate the IP address in the TCP/IP section.
- 2 Click **Settings > Fax Settings > Analog Fax Setup**.
- 3 In the Rings to Answer field, enter the number of times you want the phone to ring before the printer answers.
- 4 Click **Submit**.

REPLACE THE TONER OR PRINT CARTRIDGE

Replace the toner or print cartridge.

Can receive but not send faxes

These are possible solutions. Try one or more of the following:

THE PRINTER IS NOT IN FAX MODE

On the home screen, touch **Fax** to put the printer in Fax mode.

THE DOCUMENT IS NOT LOADED PROPERLY

Load the original document faceup, short edge first into the ADF or facedown on the scanner glass in the upper left corner.

Note: Do not load postcards, photos, small items, transparencies, photo paper, or thin media (such as magazine clippings) into the ADF. Place these items on the scanner glass.

MAKE SURE THE SHORTCUT NUMBER IS SET UP PROPERLY

- Check to make sure the shortcut number has been programmed for the number that you want to dial.
- As an alternative, dial the telephone number manually.

Received fax has poor print quality

Try one or more of the following:

RESEND THE DOCUMENT

Ask the person who sent you the fax to:

- Check that the quality of the original document is satisfactory.
- Resend the fax. There may have been a problem with the quality of the telephone line connection.
- Increase the fax scan resolution, if possible.

REPLACE THE CARTRIDGE

When **88 Cartridge low** appears or when the prints appear faded, replace the cartridge.

MAKE SURE THE FAX TRANSMISSION SPEED IS NOT SET TOO HIGH

Decrease the incoming fax transmission speed:

- 1 Type the printer IP address in the address field of your Web browser.

Note: If you do not know the IP address of the printer, then print a network setup page and locate the IP address in the TCP/IP section.

- 2 Click **Settings > Fax Settings > Analog Fax Setup**.

3 In the Max Speed box, click one of the following:

2400

4800

9600

14400

33600

4 Click **Submit**.

Solving home screen applications problems

An application error has occurred

CHECK THE SYSTEM LOG FOR RELEVANT DETAILS

1 Type the printer IP address or host name in the address field of your Web browser.

If you do not know the IP address or host name of the printer, then you can:

- View the information on the printer control panel home screen, or in the TCP/IP section under the Networks/Ports menu.
- Print a network setup page or menu settings page and locate the information in the TCP/IP section.

2 Click **Settings** or **Configuration**.

3 Click **Device Solutions** > **Solutions (eSF)** > **System** tab > **Log**.

4 From the Filter menu, select an application status.

5 From the Application menu, select an application, and then click **Submit**.

MAKE SURE THE FILE NAME YOU WANT TO SCAN TO IS NOT ALREADY IN USE

Verify that the file to which you want to scan is not open by another application or user.

To help prevent errors, make sure either “Append time stamp” or “Overwrite existing file” is selected in the destination configuration settings.

ADJUST THE SCAN SETTINGS

In the destination configuration settings, lower the scan settings. For example, lower the scan resolution, disable Color, or change the Content type to Text.

CONTACT CUSTOMER SUPPORT

If you still cannot isolate the problem, then contact customer support.

Solving option problems

Option does not operate correctly or quits after it is installed

Try one or more of the following:

RESET THE PRINTER

Turn the printer off, wait for about 10 seconds, and then turn the printer on.

CHECK TO SEE IF THE OPTION IS CONNECTED TO THE PRINTER

- 1 Turn the printer off using the power switch.
- 2 Unplug the power cord from the wall outlet, and then from the printer.
- 3 Check the connection between the option and the printer.

MAKE SURE THE OPTION IS INSTALLED CORRECTLY

Print a menu settings page and check to see if the option is listed in the Installed Options list. If the option is not listed, then reinstall it. For more information, see the hardware setup documentation that came with the option, or go to www.lexmark.com to view the option instruction sheet.

MAKE SURE THE OPTION IS SELECTED

From the computer you are printing from, select the option.

For more information, see "Updating available options in the printer driver" on page 62.

Paper tray problems

Try one or more of the following:

MAKE SURE THE PAPER IS LOADED CORRECTLY

- 1 Open the paper tray.
- 2 Check for paper jams or misfeeds.
- 3 Make sure the paper guides are aligned against the edges of the paper.
- 4 Make sure the paper tray closes properly.

RESET THE PRINTER

Turn the printer off, wait about 10 seconds, and then turn the printer on.

MAKE SURE THE PAPER TRAY IS INSTALLED CORRECTLY

If the paper tray is listed on the menu settings page, but paper jams when it enters or exits the tray, then it may not be properly installed. Reinstall the paper tray. For more information, see the hardware setup documentation that came with the paper tray, or go to <http://support.lexmark.com> to view the paper tray instruction sheet.

Cannot detect flash memory card

Make sure the flash memory card is securely connected to the printer system board.

Cannot detect printer hard disk

Make sure the printer hard disk is securely connected to the printer system board.

Internal Solutions Port does not operate correctly

Try one or more of the following:

CHECK THE INTERNAL SOLUTIONS PORT (ISP) CONNECTIONS

Make sure the ISP is securely connected to the printer system board.

CHECK THE CABLE

Make sure you are using the correct cable and that it is securely connected to the Internal Solutions (ISP) port.

MAKE SURE THE NETWORK SOFTWARE IS CONFIGURED CORRECTLY

For information on installing the network printing software, see the *Networking Guide* on the *Software and Documentation CD*.

Internal print server does not operate correctly

Try one or more of the following:

CHECK THE PRINT SERVER CONNECTIONS

- Make sure the internal print server is attached securely to the printer system board.
- Make sure you are using the correct cable and that it is securely connected.

MAKE SURE THE NETWORK SOFTWARE IS CONFIGURED CORRECTLY

For more information on installing the network printing software, do the following:

- 1 Open the *Software and Documentation CD*.
- 2 Click **Additional**.
- 3 Under Publications on this CD, select **Networking Guide**.

Memory card

Make sure the memory card is securely connected to the printer system board.

USB/parallel interface card does not operate correctly

CHECK THE USB/PARALLEL INTERFACE CARD CONNECTION

Make sure the USB/parallel interface card is securely connected to the printer system board.

CHECK THE CABLE

Make sure you are using the correct cable and that it is securely connected.

Solving paper feed problems

Paper frequently jams

These are possible solutions. Try one or more of the following:

CHECK THE PAPER

Use recommended paper and specialty media. For more information, see the chapter about paper and specialty media guidelines.

MAKE SURE THERE IS NOT TOO MUCH PAPER IN THE PAPER TRAY

Make sure the stack of paper you load does not exceed the maximum stack height indicated in the tray or on the multipurpose feeder.

CHECK THE PAPER GUIDES

Move the guides in the tray to the correct positions for the paper size loaded.

THE PAPER MAY HAVE ABSORBED MOISTURE DUE TO HIGH HUMIDITY

- Load paper from a fresh package.
- Store paper in its original wrapper until you use it.

Paper jam message remains after jam is cleared

CHECK THE PAPER PATH

The paper path is not clear. Clear jammed paper from the entire paper path, and then touch **Continue**.

Jammed pages are not reprinted

TURN ON JAM RECOVERY

1 From the home screen, navigate to:

 > **Settings** > **General Settings** > **Print Recovery**

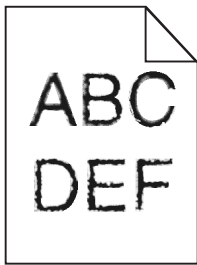
2 Touch the arrows next to **Jam Recovery** until **On** or **Auto** appears.

3 Touch **Submit**.

Solving print quality problems

If these suggestions do not correct the problem, then contact customer support. You may have a printer part that requires adjustment or replacement.

Characters have jagged or uneven edges



If you are using downloaded fonts, verify that the fonts are supported by the printer, the host computer, and the software program.

Clipped images

Try one or more of the following:

CHECK THE GUIDES

Move the width and length guides in the tray to the correct positions for the paper size loaded.

CHECK THE PAPER SIZE SETTING

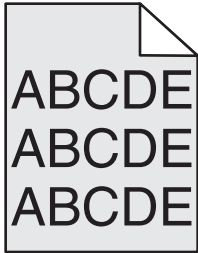
Make sure the paper size setting matches the paper loaded in the tray:

- 1 From the printer control panel Paper menu, check the Paper Size setting.
- 2 Before sending the job to print, specify the correct size setting:
 - For Windows users, specify the size from Print Properties.
 - For Macintosh users, specify the size from the Page Setup dialog.

Fine horizontal lines appear on color pages

You may notice fine, horizontal lines in photographs or pages with a high concentration of color. This can occur when the printer is in Quiet Mode. To fix this, set Quiet Mode to **Off (Image/Photo)**.

Gray background



CHECK THE TONER DARKNESS SETTING

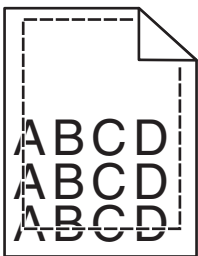
Select a lighter Toner Darkness setting:

- From the printer control panel Quality menu, change the setting.
- For Windows users, change the setting from Print Properties.
- For Macintosh users, change the setting from the Print dialog.

THE TONER CARTRIDGE MAY BE WORN OR DEFECTIVE

Replace the toner cartridge.

Incorrect margins



These are possible solutions. Try one or more of the following:

CHECK THE PAPER GUIDES

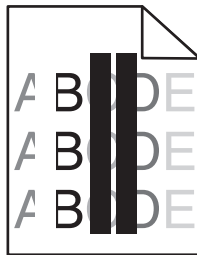
Move the guides in the tray to the correct positions for the paper size loaded.

CHECK THE PAPER SIZE SETTING

Make sure the paper size setting matches the paper loaded in the tray:

- 1 From the printer control panel Paper menu, check the Paper Size setting.
- 2 Before sending the job to print, specify the correct size setting:
 - For Windows users, specify the size from Print Properties.
 - For Macintosh users, specify the size from the Page Setup dialog.

Light colored line, white line, or incorrectly colored line appears on prints



Try one or more of the following:

MAKE SURE THERE IS NO DEFECTIVE TONER CARTRIDGE

Replace the defective toner cartridge.

MAKE SURE THE IMAGING UNIT IS NOT DEFECTIVE

Replace the defective imaging unit.

MAKE SURE THE TRANSFER MODULE IS NOT DEFECTIVE

Replace the transfer module.

CLEAN THE PRINTHEAD LENSES

Remove and reinstall the imaging unit. The LED wipe at the end of the imaging unit will rub across the row of LEDs, thus cleaning the printhead lenses.

Paper curl

Try one or more of the following:

CHECK THE PAPER TYPE AND WEIGHT SETTINGS

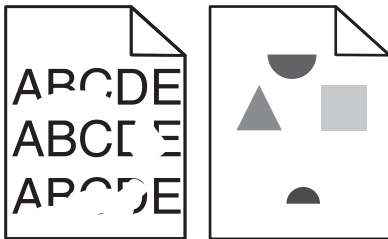
Make sure the paper type and weight settings match the paper loaded in the tray or feeder:

- 1 From the printer control panel Paper menu, check the Paper Type and Paper Weight settings.
- 2 Before sending the print job, specify the correct paper type setting:
 - For Windows users, specify the paper type from Print Properties.
 - For Macintosh users, specify the paper type from the Print dialog.

LOAD PAPER FROM A FRESH PACKAGE

Paper absorbs moisture due to high humidity. Store paper in its original wrapper until you use it.

Print irregularities



Try one or more of the following:

LOAD PAPER FROM A FRESH PACKAGE

The paper may have absorbed moisture due to high humidity. Store paper in its original wrapper until you use it.

CHECK THE PAPER TYPE AND WEIGHT SETTINGS

Make sure the paper type and weight settings match the paper loaded in the tray or feeder:

- 1 From the printer control panel Paper menu, check the Paper Type and Paper Weight settings.
- 2 Before sending the print job, specify the correct paper type setting:
 - For Windows users, specify the paper type from Print Properties.
 - For Macintosh users, specify the paper type from the Print dialog.

AVOID TEXTURED PAPER WITH ROUGH FINISHES

MAKE SURE THERE IS NO DEFECTIVE TONER CARTRIDGE

Replace the worn or defective toner cartridge.

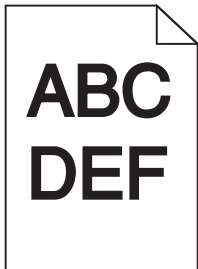
MAKE SURE THE TRANSFER MODULE IS NOT DEFECTIVE

Replace the defective transfer module. For more information, see the instruction sheet that came with the replacement part.

MAKE SURE THE FUSER IS NOT DEFECTIVE

Replace the defective fuser. For more information, see the instruction sheet that came with the replacement part.

Print is too dark



Try one or more of the following:

CHECK THE DARKNESS, BRIGHTNESS, AND CONTRAST SETTINGS

The Toner Darkness setting may be too dark, the Brightness setting may be too dark, or the Contrast setting may be too high.

- Change these settings from the printer control panel Quality menu.
- For Windows users, change these settings from Print Properties.
- For Macintosh users:
 - 1** Choose **File > Print**.
 - 2** From the Orientation pictures drop-down menu, choose **Printer Features**.
 - 3** Choose a lower value for the Toner Darkness, Brightness, and Contrast settings.

LOAD PAPER FROM A FRESH PACKAGE

The paper may have absorbed moisture due to high humidity. Store paper in its original wrapper until you use it.

AVOID TEXTURED PAPER WITH ROUGH FINISHES

CHECK THE PAPER TYPE SETTING

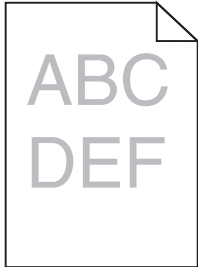
Make sure the Paper Type setting matches the paper loaded in the tray or feeder:

- From the printer control panel Paper menu, check the Paper Type setting.
- For Windows users, check this setting from Print Properties.
- For Macintosh users, check this setting from the Print dialog.

MAKE SURE THERE IS NO DEFECTIVE TONER CARTRIDGE

Replace the defective toner cartridge.

Print is too light



Try one or more of the following:

CHECK THE DARKNESS, BRIGHTNESS, AND CONTRAST SETTINGS

The Toner Darkness setting may be too light, the Brightness setting may be too light, or the Contrast setting may be too low.

- Change these settings from the printer control panel Quality menu.
- For Windows users, change these settings from Print Properties
- For Macintosh users:
 - 1 Choose **File > Print**.
 - 2 From the Orientation pictures drop-down menu, choose **Printer Features**.
 - 3 Choose a higher value for the Toner Darkness, Brightness, and Contrast settings.

LOAD PAPER FROM A FRESH PACKAGE

The paper may have absorbed moisture from high humidity. Store paper in its original wrapper until you use it.

AVOID TEXTURED PAPER WITH ROUGH FINISHES

CHECK THE PAPER TYPE SETTING

Make sure the Paper Type setting matches the paper loaded in the tray or feeder:

- From the printer control panel Paper menu, check the Paper Type setting.
- For Windows users, check this setting from Print Properties.
- For Macintosh users, check this setting from the Print dialog.

MAKE SURE THE TONER CARTRIDGE IS NOT LOW ON TONER

When **88.xx [color] cartridge low** appears, make sure the toner is distributed evenly within the print cartridge.

- 1 Remove the toner cartridge.
- 2 Firmly shake the cartridge side-to-side and front-to-back several times to redistribute the toner.

3 Reinsert the toner cartridge.

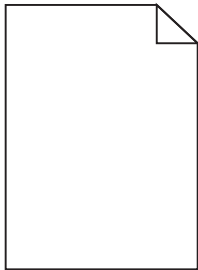
Note: If print quality does not improve, replace the print cartridge.

If the problem continues, the printer may need to be serviced. For more information, contact customer support.

MAKE SURE THERE IS NO DEFECTIVE TONER CARTRIDGE

Replace the defective toner cartridge.

Printer is printing blank pages



Try one or more of the following:

MAKE SURE THERE IS NO PACKING MATERIAL LEFT ON THE TONER OR PRINT CARTRIDGE

Remove the cartridge and make sure the packing material is properly removed. Reinstall the cartridge.

MAKE SURE THE TONER OR PRINT CARTRIDGE IS NOT LOW ON TONER

When **88.xx [color] cartridge low** appears, make sure that toner is distributed evenly among all four cartridges:

1 Remove the cartridge.

Warning—Potential Damage: Be careful not to touch the photoconductor drum. Doing so may affect the print quality of future print jobs.

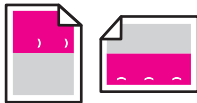
2 Firmly shake the cartridge side-to-side and front-to-back several times to redistribute the toner.

3 Reinsert the cartridge.

Note: If print quality does not improve, then replace the cartridge of the color that is not printing.

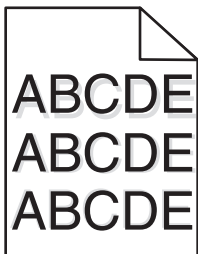
If the problem continues, then the printer may need to be serviced. For more information, contact customer support.

Repeating defects appear on a page

| Cause | Solution |
|--|---|
| |  |
| <p>If marks occur repeatedly in only one color and multiple times on a page:</p> | |

| Cause | Solution |
|--|---|
| The transfer module is defective. | Replace the transfer module if the defects occur every: <ul style="list-style-type: none"> • 38 mm (1.50 in.) |
| An imaging unit is defective. | Replace the imaging unit if the defects occur every: <ul style="list-style-type: none"> • 41.0 mm (1.61 in.) • 75.0 mm (2.95 in.) |
| If marks occur down the page repeatedly in all colors: | |
| The fuser is defective. | Replace the fuser if the defects occur every: <ul style="list-style-type: none"> • 141 mm (5.55 in.) |

Shadow images appear on prints



CHECK THE PAPER TYPE AND WEIGHT SETTINGS

Make sure the paper type and weight settings match the paper loaded in the tray:

- 1 From the printer control panel Paper menu, check the Paper Type and Paper Weight settings.
- 2 Before sending the job to print, specify the correct type setting:
 - For Windows users, specify the type from Print Properties.
 - For Macintosh users, specify the type from the Print dialog.

MAKE SURE THE IMAGING UNIT IS NOT DEFECTIVE

Replace the imaging unit.

MAKE SURE THE TONER CARTRIDGE IS NOT LOW ON TONER

When **88.xx [color] cartridge low** appears, make sure the toner is distributed evenly within the toner cartridge.

- 1 Remove the toner cartridge.

Warning—Potential Damage: Be careful not to touch the photoconductor drum. Doing so may affect the print quality of future print jobs.

- 2 Firmly shake the cartridge side-to-side and front-to-back several times to redistribute the toner.
- 3 Reinsert the toner cartridge.

Note: If print quality does not improve, replace the toner cartridge.

If the problem continues, the printer may need to be serviced. For more information, contact Customer Support.

Skewed print

These are possible solutions. Try one or more of the following:

CHECK THE PAPER GUIDES

Move the length and width guides in the tray to the correct positions for the paper size loaded.

- Make sure the guides are not too far from the paper stack.
- Make sure the guides are not pressing too lightly against the paper stack.

CHECK THE PAPER

Make sure you are using paper that meets the printer specifications.

Solid color pages



Try one or more of the following:

MAKE SURE THE IMAGING UNIT IS INSTALLED CORRECTLY AND IS NOT DEFECTIVE

Remove and then reinstall the imaging unit. If the problem continues, the imaging unit may need to be replaced.

MAKE SURE THE TONER CARTRIDGES ARE INSTALLED CORRECTLY, ARE NOT DEFECTIVE AND NOT LOW ON TONER

- Remove and reinstall the toner cartridges.
- Make sure toner is distributed evenly within the toner cartridge:

1 Remove the toner cartridge.

Warning—Potential Damage: Be careful not to touch the photoconductor drum. Doing so may affect the print quality of future print jobs.

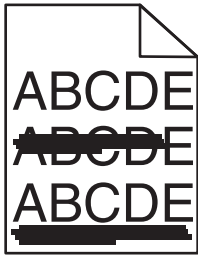
2 Firmly shake the cartridge side-to-side and front-to-back several times to redistribute the toner.

3 Reinsert the toner cartridge.

Note: If print quality does not improve, replace the toner cartridge.

- If the problem continues, the printer may need to be serviced. For more information, contact customer support.

Streaked horizontal lines appear on prints



Try one or more of the following:


SELECT ANOTHER TRAY OR FEEDER

- From the printer control panel Paper Menu, select Default Source.
- For Windows users, select the paper source from Print Properties.
- For Macintosh users, select the paper source from the Print dialog and pop-up menus.

MAKE SURE THERE IS NO WORN, DEFECTIVE, OR EMPTY TONER CARTRIDGE

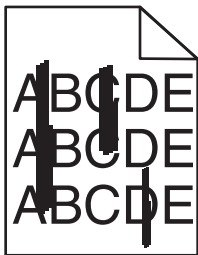
Replace the worn, defective, or empty toner cartridge.

CLEAR THE PAPER PATH AROUND THE TONER CARTRIDGE

 **CAUTION—HOT SURFACE:** The inside of the printer might be hot. To reduce the risk of injury from a hot component, allow the surface to cool before touching.

Clear any paper you see or clean any visible toner from the paper path. If the problem persists, then contact Customer Support.

Streaked vertical lines appear on prints



Try one or more of the following:

SELECT ANOTHER TRAY OR FEEDER


- From the printer control panel Paper menu, select Default Source
- For Windows users, select the paper source from Print Properties.
- For Macintosh users, select the paper source from the Print dialog and pop-up menus.

MAKE SURE THERE IS NO WORN, DEFECTIVE, OR EMPTY TONER CARTRIDGE

Replace the worn, defective, or empty toner cartridge.

CLEAR THE PAPER PATH AROUND THE TONER CARTRIDGE

Check the paper path around the toner cartridge.

 **CAUTION—HOT SURFACE:** The inside of the printer might be hot. To reduce the risk of injury from a hot component, allow the surface to cool before touching.

Clear any paper you see.

MAKE SURE THERE IS NO TONER IN THE PAPER PATH

Toner fog or background shading appears on the page

| Cause | Solution |
|--|---|
| Toner cartridge may be defective or installed incorrectly. | Reinstall or replace the toner cartridge. |
| Transfer module may be worn or defective. | Replace the transfer module. |
| Imaging unit may be worn or defective. | Replace the imaging unit. |
| Fuser may be worn or defective. | Replace the fuser. |
| Toner may be in the paper path. | Call for service. |
| Printer may not have recalibrated recently. | Perform color adjust from the Quality menu. |
| Application may specify an off-white background. | Check the application. |

Toner rubs off

| Cause | Solution |
|---|---|
| Specialty media is being used. | Make sure the correct Paper Type is selected. |
| The Paper Weight setting in the Paper Menu is wrong for the type of paper being used. | Change the Paper Weight from Normal to Heavy. If necessary, change Paper Texture from Normal to Rough. |
| Fuser is worn or defective. | Replace the fuser. |
| Fuser is in envelope mode. | Open the side door. Make sure that the green lever on the left side of the fuser is not in envelope mode. |

Toner specks

| Cause | Solution |
|--|---|
| Toner cartridges may be worn or defective. | Replace the defective or worn cartridges. |
| Toner is in the paper path. | Call for service. |
| The imaging unit may be defective. | Replace the defective imaging unit. |

Transparency print quality is poor

Try one or more of the following:

CHECK THE TRANSPARENCIES

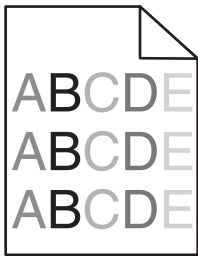
Use only transparencies that meet the printer specifications.

CHECK THE PAPER TYPE SETTING

Make sure the paper type setting is set to Transparency:

- 1 From the printer control panel Paper menu, check the Paper Type setting.
- 2 Before sending the job to print, specify the correct type setting:
 - For Windows users, specify the type from Print Properties.
 - For Macintosh users, specify the type from the Print dialog.

Uneven print density



Try one or more of the following:

MAKE SURE THERE IS NO DEFECTIVE OR WORN TONER CARTRIDGE

Replace the worn or defective toner cartridge.

MAKE SURE THE IMAGING UNIT IS NOT DEFECTIVE

Replace the defective imaging unit.

Solving color quality problems

FAQ about color printing

What is RGB color?

Red, green, and blue light can be added together in various amounts to produce a large range of colors observed in nature. For example, red and green can be combined to create yellow. Televisions and computer monitors create colors in this manner. RGB color is a method of describing colors by indicating the amount of red, green, or blue needed to produce a certain color.

What is CMYK color?

Cyan, magenta, yellow, and black (known as *CMYK color*) inks or toners can be printed in various amounts to produce a large range of colors observed in nature. For example, cyan and yellow can be combined to create green. Printing presses, inkjet printers, and color laser/LED printers create colors in this manner. CMYK color is a method of describing colors by indicating the amount of cyan, magenta, yellow, and black needed to reproduce a particular color.

How is color specified in a document to be printed?

Software applications typically specify document color using RGB or CMYK color combinations. Additionally, they commonly let you modify the color of each object in a document. For more information, see the software application Help section.

How does the printer know what color to print?

When you print a document, information describing the type and color of each object is sent to the printer. The color information is passed through color conversion tables that translate the color into the appropriate amounts of cyan, magenta, yellow, and black toner needed to produce the desired color. The object type information lets different color conversion tables be used for different types of objects. For example, it is possible to apply one type of color conversion table to text while applying a different color conversion table to photographic images.

Should I use PostScript or PCL emulation printer software? What settings should I use for the best color?

The PostScript driver is strongly recommended for best color quality. The default settings in the PostScript driver provide preferred color quality for the majority of printouts.

Why doesn't the printed color match the color that I see on the computer screen?

The color conversion tables used in Auto Color Correction mode generally approximate the colors of a standard computer monitor. However, because of technology differences that exist between printers and monitors, there are many colors that can also be affected by monitor variations and lighting conditions. For recommendations on how the printer color sample pages may be useful in solving certain color-matching problems, see the question, "How can I match a particular color (such as a color in a corporate logo)?"

The printed page appears tinted. Can I slightly adjust the color?

Sometimes you may consider printed pages to appear tinted (for example, everything printed seems to be too red). This can be caused by environmental conditions, paper type, lighting conditions, or user preference. In these instances, adjusting the Color Balance setting may create more preferable color. Color Balance lets you make subtle adjustments to the amount of toner being used in each color plane. Selecting positive (or negative) values for cyan, magenta, yellow, and black under the Color Balance menu will slightly increase (or decrease) the amount of toner used for the chosen color. For example, if you believe the overall printed page to be too red, then decreasing both magenta and yellow could potentially improve color.

My color transparencies seem dark when being projected. Is there anything I can do to improve the color?

This problem most commonly occurs when projecting transparencies with reflective overhead projectors. To obtain the highest projected color quality, transmissive overhead projectors are recommended. If a reflective projector must be used, then adjusting the Toner Darkness setting to 1, 2, or 3 will lighten the transparency.

Make sure to print on the recommended type of color transparencies. For more information about the paper and media specifications, see the *User's Guide* on the *Software and Documentation* CD.

What is manual color correction?

The color conversion tables applied to each object when using the default Auto Color Correction setting generate preferred color for the majority of documents. Occasionally, you may want to apply a different color table mapping. This customization is accomplished using the Manual Color menu and the Manual Color Correction setting.

Manual Color Correction applies to RGB and CMYK color conversion table mappings as defined in the Manual Color menu.

You can select any of the different color conversion tables for RGB or CMYK:

| Color conversion table | Settings |
|------------------------|--|
| RGB | <ul style="list-style-type: none"> • sRGB Display • Display–True Black • sRGB Vivid • Vivid • Off |
| CMYK | <ul style="list-style-type: none"> • US CMYK • Euro CMYK • Vivid CMYK • Off |

Note: The Manual Color Correction setting is not useful if the software application does not specify colors with RGB or CMYK combinations. It is also not effective in situations where the software application or the computer operating system controls the adjustment of colors.

How can I match a particular color (such as a corporate logo)?

Occasionally, you may have a need for the printed color of a particular object to closely match a specific color. For example, you may need to match the color of a corporate logo. While instances can occur in which the printer cannot exactly reproduce the desired color, you should be able to identify adequate color matches for the majority of cases.

The Color Samples menu item can provide useful information in helping solve this particular type of color-matching problem. The nine Color Samples values correspond to color conversion tables in the printer. Selecting any of the Color Samples values generates a multiple-page printout consisting of hundreds of colored boxes. Either a CMYK or RGB combination is located on each box, depending on the table selected. The observed color of each box is obtained by passing the CMYK or RGB combination labeled on the box through the selected color conversion table.

You can examine the color samples pages and identify the box whose color is the closest to the desired color. The color combination labeled on the box can then be used for modifying the color of the object in a software application. For instructions, see the software application Help. Manual Color Correction may be necessary to utilize the selected color conversion table for the particular object.

Selecting which Color Samples pages to use for a particular color-matching problem depends on the Color Correction setting being used (Auto, Off, or Manual), the type of object being printed (text, graphics, or images), and how the color of the object is specified in the software application (RGB or CMYK combinations). When the printer Color Correction setting is set to Off, the color is based on the print job information; no color conversion is implemented.

Note: The Color Samples pages are not useful if the software application does not specify colors with RGB or CMYK combinations. Additionally, certain situations exist where the software application or the computer operating system adjusts the RGB or CMYK combinations specified in the application through color management. The resulting printed color may not be an exact match of the Color Samples pages.

The following table can help identify which Color Sample pages to use for color matching.

| Color specification and object to be printed | Color Correction setting | Sample pages to use |
|--|--------------------------|-----------------------------------|
| RGB—Text | Auto | sRGB Vivid |
| | Manual | Manual Color RGB Text Setting |
| RGB—Graphic | Auto | sRGB Vivid |
| | Manual | Manual Color RGB Graphic Setting |
| RGB—Image | Auto | sRGB Display |
| | Manual | Manual Color RGB Image Setting |
| CMYK—Text | Auto | US CMYK or Euro CMYK |
| | Manual | Manual Color CMYK Text Setting |
| CMYK—Graphic | Auto | US CMYK |
| | Manual | Manual Color CMYK Graphic Setting |
| CMYK—Image | Auto | US CMYK |
| | Manual | Manual Color CMYK Image Setting |

What are Detailed Color Samples and how do I access them?

These pages require the use of the Embedded Web Server. The Embedded Web Server is a series of resident pages stored in the network printer firmware. To access these pages, browse to the IP address of the network printer. Click **Configuration Menu**, and then click **Detailed Color Samples**.

For more information about using the Embedded Web Server, see the *User's Guide on the Software and Documentation CD*.

Detailed Color Samples are pages similar to the default pages of color samples accessible from the Quality menu using the printer control panel. The default color samples available using this method have an increment value of 10% for red, green, and blue. If you find a value on this page that is close, but would like to scan more colors in a nearby area, then you can use the Detailed Color Samples to select the desired color values and a more specific increment. This provides a way to print multiple pages of colored boxes that surround a specific color of interest.

There are nine conversion tables available with the following three options:

- **Print**—Prints the default pages
- **Detailed**—Lets you enter individual red, green, and blue values and a specific increment of color
- **Reset**—Lets you clear the existing information and enter new values

The process can be duplicated for Cyan (C), Magenta (M), Yellow (Y), and Black (K) color conversion tables, too. Collectively, these values are known as CMYK color. The default increment is 10% for Black and 20% each for Cyan, Magenta, and Yellow.

Embedded Web Server does not open

Try one or more of the following:

CHECK THE NETWORK CONNECTION

Make sure the printer and computer are turned on and connected to the same network.

CHECK THE ADDRESS ENTERED IN THE WEB BROWSER

- Depending on the network settings, you may need to type “**https://**” instead of “**http://**” before the printer IP address to access the Embedded Web Server. For more information, contact your system support person.
- Make sure printer IP address is correct.

TEMPORARILY DISABLE WEB PROXY SERVERS

Proxy servers may block or restrict you from accessing certain Web sites including the Embedded Web Server. For more information, contact your system support person.

Contacting customer support

When you call customer support, describe the problem you are experiencing, the message on the display, and the troubleshooting steps you have already taken to find a solution.

You need to know your printer model type and serial number. For more information, see the label on the inside top front cover of the printer. The serial number is also listed on the menu settings page.

In the U.S. or Canada, call 1-800-539-6275. For other countries or regions, visit the Lexmark Web site at <http://support.lexmark.com>.

Notices

Product information

Product name:

Lexmark X925, XS925

Machine type:

7541

Model(s):

032, 036, 096

Edition notice

November 2012

The following paragraph does not apply to any country where such provisions are inconsistent with local law:

LEXMARK INTERNATIONAL, INC., PROVIDES THIS PUBLICATION "AS IS" WITHOUT WARRANTY OF ANY KIND, EITHER EXPRESS OR IMPLIED, INCLUDING, BUT NOT LIMITED TO, THE IMPLIED WARRANTIES OF MERCHANTABILITY OR FITNESS FOR A PARTICULAR PURPOSE. Some states do not allow disclaimer of express or implied warranties in certain transactions; therefore, this statement may not apply to you.

This publication could include technical inaccuracies or typographical errors. Changes are periodically made to the information herein; these changes will be incorporated in later editions. Improvements or changes in the products or the programs described may be made at any time.

References in this publication to products, programs, or services do not imply that the manufacturer intends to make these available in all countries in which it operates. Any reference to a product, program, or service is not intended to state or imply that only that product, program, or service may be used. Any functionally equivalent product, program, or service that does not infringe any existing intellectual property right may be used instead. Evaluation and verification of operation in conjunction with other products, programs, or services, except those expressly designated by the manufacturer, are the user's responsibility.

For Lexmark technical support, visit <http://support.lexmark.com>.

For information on supplies and downloads, visit www.lexmark.com.

© 2012 Lexmark International, Inc.

All rights reserved.

GOVERNMENT END USERS

The Software Program and any related documentation are "Commercial Items," as that term is defined in 48 C.F.R. 2.101, "Computer Software" and "Commercial Computer Software Documentation," as such terms are used in 48 C.F.R. 12.212 or 48 C.F.R. 227.7202, as applicable. Consistent with 48 C.F.R. 12.212 or 48 C.F.R. 227.7202-1 through 227.7202-4, as applicable, the Commercial Computer Software and Commercial Software Documentation are licensed to the U.S. Government end users (a) only as Commercial Items and (b) with only those rights as are granted to all other end users pursuant to the terms and conditions herein.

Trademarks

Lexmark, Lexmark with diamond design, MarkNet, and MarkVision are trademarks of Lexmark International, Inc., registered in the United States and/or other countries.

PrintCryption and ScanBack are trademarks of Lexmark International, Inc.

Mac and the Mac logo are trademarks of Apple Inc., registered in the U.S. and other countries.

PCL® is a registered trademark of the Hewlett-Packard Company. PCL is Hewlett-Packard Company's designation of a set of printer commands (language) and functions included in its printer products. This printer is intended to be compatible with the PCL language. This means the printer recognizes PCL commands used in various application programs, and that the printer emulates the functions corresponding to the commands.

All other trademarks are the property of their respective owners.

AirPrint and the AirPrint logo are trademarks of Apple, Inc.

Federal Communications Commission (FCC) compliance information statement

This product has been tested and found to comply with the limits for a Class A digital device, pursuant to Part 15 of the FCC Rules. Operation is subject to the following two conditions: (1) this device may not cause harmful interference, and (2) this device must accept any interference received, including interference that may cause undesired operation.

The FCC Class A limits are designed to provide reasonable protection against harmful interference when the equipment is operated in a commercial environment. This equipment generates, uses, and can radiate radio frequency energy and, if not installed and used in accordance with the instruction manual, may cause harmful interference to radio communications. Operation of this equipment in a residential area is likely to cause harmful interference, in which case the user will be required to correct the interference at his own expense.

The manufacturer is not responsible for any radio or television interference caused by using other than recommended cables or by unauthorized changes or modifications to this equipment. Unauthorized changes or modifications could void the user's authority to operate this equipment.

Note: To assure compliance with FCC regulations on electromagnetic interference for a Class A computing device, use a properly shielded and grounded cable such as Lexmark part number 1021231 for parallel attach or 1021294 for USB attach. Use of a substitute cable not properly shielded and grounded may result in a violation of FCC regulations.

Modular component notice

This product may contain the following modular component(s):

Lexmark regulatory type/model LEX-M01-003: FCC ID: IYLM01003; IC: 2376A-M01003

Lexmark regulatory type/model LEX-M05-001: FCC ID: IYLLEXM05001; IC: 2376A-M05001

Lexmark regulatory type/model LEX-M05-002: FCC ID: IYLLEXM05002; IC: 2376A-M05002

Licensing notices

All licensing notices associated with this product can be viewed from the root directory of the installation software CD.

Noise emission levels

The following measurements were made in accordance with ISO 7779 and reported in conformance with ISO 9296.

Note: Some modes may not apply to your product.

| 1-meter average sound pressure, dBA | |
|-------------------------------------|--------|
| Printing | 53 dBA |
| Ready | 39 dBA |

Values are subject to change. See www.lexmark.com for current values.

Waste from Electrical and Electronic Equipment (WEEE) directive



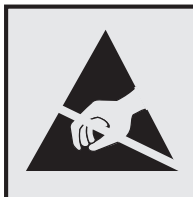
The WEEE logo signifies specific recycling programs and procedures for electronic products in countries of the European Union. We encourage the recycling of our products.

If you have further questions about recycling options, visit the Lexmark Web site at www.lexmark.com for your local sales office phone number.

Product disposal

Do not dispose of the printer or supplies in the same manner as normal household waste. Consult your local authorities for disposal and recycling options.

Static sensitivity notice



This symbol identifies static-sensitive parts. Do not touch in the areas near these symbols without first touching the metal frame of the printer.

ENERGY STAR

Any Lexmark product bearing the ENERGY STAR emblem on the product or on a start-up screen is certified to comply with Environmental Protection Agency (EPA) ENERGY STAR requirements as configured when shipped by Lexmark.



Temperature information

| | |
|----------------------------------|--|
| Ambient temperature | 15.6 to 32.2°C (60 to 90°F) and 8% to 80% RH |
| Shipping and storage temperature | -40°C to 43.3°C (110° Fahrenheit) |

Laser notice

The printer is certified in the U.S. to conform to the requirements of DHHS 21 CFR, Chapter I, Subchapter J for Class I (1) laser products, and elsewhere is certified as a Class I laser product conforming to the requirements of IEC 60825-1.

Class I laser products are not considered to be hazardous. The printer contains internally a Class IIIb (3b) laser that is nominally a 7 milliwatt gallium arsenide laser operating in the wavelength of 655-675 nanometers. The laser system and printer are designed so there is never any human access to laser radiation above a Class I level during normal operation, user maintenance, or prescribed service condition.

Power consumption

Product power consumption

The following table documents the power consumption characteristics of the product.

Note: Some modes may not apply to your product.

| Mode | Description | Power consumption (Watts) |
|------------|--|---------------------------|
| Printing | The product is generating hard-copy output from electronic inputs. | 650 W |
| Copy | The product is generating hard-copy output from hard-copy original documents. | 725 W |
| Scan | The product is scanning hard-copy documents. | 190 W |
| Ready | The product is waiting for a print job. | 130 W |
| Sleep Mode | The product is in a high-level energy-saving mode. | 27 W |
| Hibernate | The product is in a low-level energy-saving mode. | 6.1 W |
| Off | The product is plugged into a wall outlet, but the power switch is turned off. | .0 W |

The power consumption levels listed in the previous table represent time-averaged measurements. Instantaneous power draws may be substantially higher than the average.

Values are subject to change. See www.lexmark.com for current values.

Sleep Mode

This product is designed with an energy-saving mode called *Sleep Mode*. The Sleep Mode saves energy by lowering power consumption during extended periods of inactivity. The Sleep Mode is automatically engaged after this product is not used for a specified period of time, called the *Sleep Mode Timeout*.

| | |
|---|---|
| Factory default Sleep Mode Timeout for this product (in minutes): | 5 |
|---|---|

By using the configuration menus, the Sleep Mode Timeout can be modified between 1 minute and 240 minutes. Setting the Sleep Mode Timeout to a low value reduces energy consumption, but may increase the response time of the product. Setting the Sleep Mode Timeout to a high value maintains a fast response, but uses more energy.

Off mode

If this product has an off mode which still consumes a small amount of power, then to completely stop product power consumption, disconnect the power supply cord from the wall outlet.

Total energy usage

It is sometimes helpful to calculate the total product energy usage. Since power consumption claims are provided in power units of Watts, the power consumption should be multiplied by the time the product spends in each mode in order to calculate energy usage. The total product energy usage is the sum of each mode's energy usage.

Industry Canada compliance statement

This Class A digital apparatus meets all requirements of the Canadian Interference-Causing Equipment Standard ICES-003.

Avis de conformité aux normes de l'industrie du Canada

Cet appareil numérique de classe A est conforme aux exigences de la norme canadienne relative aux équipements pouvant causer des interférences NMB-003.

European Community (EC) directives conformity

This product is in conformity with the protection requirements of EC Council directives 2004/108/EC and 2006/95/EC on the approximation and harmonization of the laws of the Member States relating to electromagnetic compatibility and safety of electrical equipment designed for use within certain voltage limits.

The manufacturer of this product is: Lexmark International, Inc., 740 West New Circle Road, Lexington, KY, 40550 USA. The authorized representative is: Lexmark International Technology Hungária Kft., 8 Lechner Ödön fasor, Millennium Tower III, 1095 Budapest HUNGARY, A declaration of conformity to the requirements of the Directives is available upon request from the Authorized Representative.

This product satisfies the Class A limits of EN 55022 and safety requirements of EN 60950.

Radio interference notice

Warning

This is a product that complies with the emission requirements of EN55022 Class A limits and immunity requirements of EN55024. This product is not intended to be used in residential/domestic environments.

This is a Class A product. In a domestic environment, this product may cause radio interference, in which case the user may be required to take adequate measures.

Notice to users of the US telephone network: FCC requirements

This equipment complies with Part 68 of the FCC rules and the requirements adopted by the Administrative Council for Terminal Attachments (ACTA). On the back of this equipment is a label that contains, among other information, a product identifier in the format US:AAAEQ##TXXXX. If requested, this number must be provided to your telephone company.

This equipment uses the RJ-11C Universal Service Order Code (USOC) jack.

A plug and jack used to connect this equipment to the premises' wiring and telephone network must comply with the applicable FCC Part 68 rules and requirements adopted by the ACTA. A compliant telephone cord and modular plug is provided with this product. It is designed to be connected to a compatible modular jack that is also compliant. See your setup documentation for more information.

The Ringer Equivalence Number (REN) is used to determine the number of devices that may be connected to a telephone line. Excessive RENs on a telephone line may result in the devices not ringing in response to an incoming call. In most but not all areas, the sum of RENs should not exceed five (5.0). To be certain of the number of devices that may be connected to a line, as determined by the total RENs, contact your local telephone company. For products approved after July 23, 2001, the REN for this product is part of the product identifier that has the format US:AAAEQ##TXXXX. The digits represented by ## are the REN without a decimal point (for example, 03 is a REN of 0.3). For earlier products, the REN is shown separately on the label.

If this equipment causes harm to the telephone network, the telephone company will notify you in advance that temporary discontinuance of service may be required. If advance notice is not practical, the telephone company will notify the customer as soon as possible. You will also be advised of your right to file a complaint with the FCC.

The telephone company may make changes in its facilities, equipment, operations or procedures that could affect the operation of this equipment. If this happens, the telephone company will provide advance notice in order for you to make necessary modifications to maintain uninterrupted service.

If you experience trouble with this equipment, for repair or warranty information, contact Lexmark International, Inc. at www.lexmark.com or your Lexmark representative. If the equipment is causing harm to the telephone network, the telephone company may request that you disconnect the equipment until the problem is resolved.

This equipment contains no user serviceable parts. For repair and warranty information, contact Lexmark International, Inc. See the previous paragraph for contact information.

Connection to party line service is subject to state tariffs. Contact the state public utility commission, public service commission, or corporation commission for information.

If your home has specially wired alarm equipment connected to the telephone line, ensure the installation of this equipment does not disable your alarm equipment. If you have questions about what will disable alarm equipment, consult your telephone company or a qualified installer.

Telephone companies report that electrical surges, typically lightning transients, are very destructive to customer terminal equipment connected to AC power sources. This has been identified as a major nationwide problem. It is recommended that the customer install an appropriate AC surge arrester in the AC outlet to which this device is

connected. An appropriate AC surge arrestor is defined as one that is suitably rated, and certified by UL (Underwriter's Laboratories), another NRTL (Nationally Recognized Testing Laboratory), or a recognized safety certification body in the country/region of use. This is to avoid damage to the equipment caused by local lightning strikes and other electrical surges.

The Telephone Consumer Protection Act of 1991 makes it unlawful for any person to use a computer or other electronic device, including fax machines, to send any message unless said message clearly contains in a margin at the top or bottom of each transmitted page or on the first page of the transmission, the date and time it is sent and an identification of the business or other entity, or other individual sending the message, and the telephone number of the sending machine or such business, other entity, or individual. (The telephone number provided may not be a 900 number or any other number for which charges exceed local or long-distance transmission charges.)

See your user documentation in order to program this information into your fax machine.

Notice to users of the Canadian telephone network

This product meets the applicable Industry Canada technical specifications. The Ringer Equivalence Number (REN) is an indication of the maximum number of terminals allowed to be connected to a telephone interface. The terminus of an interface may consist of any combination of devices, subject only to the requirement that the sum of the RENs of all the devices does not exceed five. The modem REN is located on the rear of the equipment on the product labeling.

Telephone companies report that electrical surges, typically lightning transients, are very destructive to customer terminal equipment connected to AC power sources. This has been identified as a major nationwide problem. It is recommended that the customer install an appropriate AC surge arrestor in the AC outlet to which this device is connected. An appropriate AC surge arrestor is defined as one that is suitably rated, and certified by UL (Underwriter's Laboratories), another NRTL (Nationally Recognized Testing Laboratory), or a recognized safety certification body in the country/region of use. This is to avoid damage to the equipment caused by local lightning strikes and other electrical surges.

This equipment uses CA11A telephone jacks.

Avis réservé aux utilisateurs du réseau téléphonique du Canada

Ce produit est conforme aux spécifications techniques d'Industrie Canada. Le numéro REN (ringer equivalence number : numéro d'équivalence de sonnerie) fournit une indication du nombre maximum de terminaux pouvant être connectés à l'interface téléphonique. En bout de ligne, le nombre d'appareils qui peuvent être connectés n'est pas directement limité, mais la somme des REN de ces appareils ne doit pas dépasser cinq. Le numéro REN du modem est indiqué sur l'étiquette produit située à l'arrière de l'équipement.

Les compagnies de téléphone constatent que les surtensions électriques, en particulier celles dues à la foudre, entraînent d'importants dégâts sur les terminaux privés connectés à des sources d'alimentation CA. Il s'agit-là d'un problème majeur d'échelle nationale. En conséquence, il vous est recommandé de brancher un parasurtenseur dans la prise de courant à laquelle l'équipement est connecté. Utilisez un parasurtenseur répondant à des caractéristiques nominales satisfaisantes et certifié par le laboratoire d'assureurs UL (Underwriter's Laboratories), un autre laboratoire agréé de type NRTL (Nationally Recognized Testing Laboratory) ou un organisme de certification agréé dans votre région ou pays. Ceci prévient tout endommagement de l'équipement causé par les orages et autres surtensions électriques.

Cet équipement utilise des prises de téléphone CA11A.

Notice to users of the New Zealand telephone network

The following are special conditions for the Facsimile User Instructions. The grant of a telepermit for any item of terminal equipment indicates only that Telecom has accepted that the item complies with minimum conditions for connection

to its network. It indicates no endorsement of the product by Telecom, nor does it provide any sort of warranty. Above all, it provides no assurance that any item will work correctly in all respects with another item of telepermitted equipment of a different make or model, nor does it imply that any product is compatible with all of Telecom's network services.

This equipment shall not be set up to make automatic calls to the Telecom's 111 Emergency Service.

This equipment may not provide for the effective hand-over of a call to another device connected to the same line.

This equipment should not be used under any circumstances that may constitute a nuisance to other Telecom customers.

Some parameters required for compliance with Telecom's telepermit requirements are dependent on the equipment associated with this device. The associated equipment shall be set to operate within the following limits for compliance to Telecom's specifications:

- There shall be no more than 10 call attempts to the same number within any 30 minute period for any single manual call initiation, and
- The equipment shall go on-hook for a period of not less than 30 seconds between the end of one attempt and the beginning of the next call attempt.
- The equipment shall be set to ensure that automatic calls to different numbers are spaced such that there is not less than 5 seconds between the end of one call attempt and the beginning of another.

Using this product in Switzerland

This product requires a Swiss billing tone filter (Lexmark part number 14B5109 or 80D1877) to be installed on any line which receives metering pulses in Switzerland. The Lexmark filter must be used, as metering pulses are present on all analog telephone lines in Switzerland.

Utilisation de ce produit en Suisse

Cet appareil nécessite l'utilisation d'un filtre de tonalité de facturation suisse (n° de référence Lexmark : 14B5109 ou 80D1877) devant être installé sur toute ligne recevant des impulsions de comptage en Suisse. Ce filtre doit être utilisé pour toute installation car ces impulsions existent sur toutes les lignes téléphoniques suisses.

Verwendung dieses Produkts in der Schweiz

Für dieses Produkt muss ein schweizerischer Billing Tone Filter zur Zählzeichenübertragung (Lexmark Teilenummer 14B5109 oder 80D1877) für jede Leitung installiert werden, über die in der Schweiz Zeitsteuertakte übertragen werden. Die Verwendung des Lexmark Filters ist obligatorisch, da in allen analogen Telefonleitungen in der Schweiz Zeitsteuertakte vorhanden sind.

Uso del prodotto in Svizzera

Questo prodotto richiede un filtro toni Billing svizzero, (codice Lexmark 14B5109 o 80D1877) da installare su tutte le linee che ricevono impulsi remoti in Svizzera. È necessario utilizzare il filtro Lexmark poiché gli impulsi remoti sono presenti su tutte le linee analogiche in Svizzera.

Notice to Users in the European Union

Products bearing the CE mark are in conformity with the protection requirements of EC Council directives 2004/108/EC, 2006/95/EC, and 1999/5/EC on the approximation and harmonization of the laws of the Member States relating to electromagnetic compatibility, safety of electrical equipment designed for use within certain voltage limits and on radio equipment and telecommunications terminal equipment.

Compliance is indicated by the CE marking.



The manufacturer of this product is: Lexmark International, Inc., 740 West New Circle Road, Lexington, KY, 40550 USA. The authorized representative is: Lexmark International Technology Hungária Kft., 8 Lechner Ödön fasor, Millennium Tower III, 1095 Budapest HUNGARY, A declaration of conformity to the requirements of the Directives is available upon request from the Authorized Representative.

Refer to the table at the end of the Notices section for further compliance information.

Regulatory notices for wireless products

This section contains the following regulatory information pertaining to wireless products that contain transmitters, for example, but not limited to, wireless network cards or proximity card readers.

Exposure to radio frequency radiation

The radiated output power of this device is far below the radio frequency exposure limits of the FCC and other regulatory agencies. A minimum separation of 20 cm (8 inches) must be maintained between the antenna and any persons for this device to satisfy the RF exposure requirements of the FCC and other regulatory agencies.

Industry Canada (Canada)

This device complies with Industry Canada specification RSS-210. Operation is subject to the following two conditions: (1) this device may not cause interference, and (2) this device must accept any interference, including interference that may cause undesired operation of the device.

This device has been designed to operate only with the antenna provided. Use of any other antenna is strictly prohibited per regulations of Industry Canada.

To prevent radio interference to the licensed service, this device is intended to be operated indoors and away from windows to provide maximum shielding. Equipment (or its transmit antenna) that is installed outdoors is subject to licensing.

The installer of this radio equipment must ensure that the antenna is located or pointed such that it does not emit RF fields in excess of Health Canada limits for the general population; consult Safety Code 6, obtainable from Health Canada's Web site www.hc-sc.gc.ca/rpb.

The term "IC:" before the certification/registration number only signifies that the Industry Canada technical specifications were met.

Industry Canada (Canada)

Cet appareil est conforme à la norme RSS-210 d'Industry Canada. Son fonctionnement est soumis aux deux conditions suivantes :

(1) cet appareil ne doit pas provoquer d'interférences et (2) il doit accepter toute interférence reçue, y compris celles risquant d'altérer son fonctionnement.

Cet appareil a été conçu pour fonctionner uniquement avec l'antenne fournie. L'utilisation de toute autre antenne est strictement interdite par la réglementation d'Industry Canada.

En application des réglementations d'Industry Canada, l'utilisation d'une antenne de gain supérieur est strictement interdite.

Pour empêcher toute interférence radio au service faisant l'objet d'une licence, cet appareil doit être utilisé à l'intérieur et loin des fenêtres afin de garantir une protection optimale.

Si le matériel (ou son antenne d'émission) est installé à l'extérieur, il doit faire l'objet d'une licence.

L'installateur de cet équipement radio doit veiller à ce que l'antenne soit implantée et dirigée de manière à n'émettre aucun champ HF dépassant les limites fixées pour l'ensemble de la population par Santé Canada. Reportez-vous au Code de sécurité 6 que vous pouvez consulter sur le site Web de Santé Canada www.hc-sc.gc.ca/rpb.

Le terme « IC » précédant le numéro de d'accréditation/inscription signifie simplement que le produit est conforme aux spécifications techniques d'Industry Canada.

Notice to users in the European Union

Products bearing the CE mark are in conformity with the protection requirements of EC Council directives 2004/108/EC, 2006/95/EC, and 1999/5/EC on the approximation and harmonization of the laws of the Member States relating to electromagnetic compatibility, safety of electrical equipment designed for use within certain voltage limits and on radio equipment and telecommunications terminal equipment.

Compliance is indicated by the CE marking.



The manufacturer of this product is: Lexmark International, Inc., 740 West New Circle Road, Lexington, KY, 40550 USA. The authorized representative is: Lexmark International Technology Hungária Kft., 8 Lechner Ödön fasor, Millennium Tower III, 1095 Budapest HUNGARY, A declaration of conformity to the requirements of the Directives is available upon request from the Authorized Representative.

This product satisfies the Class A limits of EN 55022 and safety requirements of EN 60950.

Products equipped with 2.4GHz Wireless LAN option are in conformity with the protection requirements of EC Council directives 2004/108/EC, 2006/95/EC, and 1999/5/EC on the approximation and harmonization of the laws of the Member States relating to electromagnetic compatibility, safety of electrical equipment designed for use within certain voltage limits and on radio equipment and telecommunications terminal equipment.

Compliance is indicated by the CE marking.



Operation is allowed in all EU and EFTA countries, but is restricted to indoor use only.

The manufacturer of this product is: Lexmark International, Inc., 740 West New Circle Road, Lexington, KY, 40550 USA. The authorized representative is: Lexmark International Technology Hungária Kft., 8 Lechner Ödön fasor, Millennium Tower III, 1095 Budapest HUNGARY, A declaration of conformity to the requirements of the Directives is available upon request from the Authorized Representative.

This product may be used in the countries indicated in the table below.

| | | | | | | | | |
|----|----|----|----|----|----|----|----|----|
| AT | BE | BG | CH | CY | CZ | DE | DK | EE |
| EL | ES | FI | FR | HR | HU | IE | IS | IT |
| LI | LT | LU | LV | MT | NL | NO | PL | PT |
| RO | SE | SI | SK | TR | UK | | | |

| | |
|----------|--|
| Česky | Společnost Lexmark International, Inc. tímto prohlašuje, že výrobek tento výrobek je ve shodě se základními požadavky a dalšími příslušnými ustanoveními směrnice 1999/5/ES. |
| Dansk | Lexmark International, Inc. erklærer herved, at dette produkt overholder de væsentlige krav og øvrige relevante krav i direktiv 1999/5/EF. |
| Deutsch | Hiermit erklärt Lexmark International, Inc., dass sich das Gerät dieses Gerät in Übereinstimmung mit den grundlegenden Anforderungen und den übrigen einschlägigen Bestimmungen der Richtlinie 1999/5/EG befindet. |
| Ελληνική | ΜΕ ΤΗΝ ΠΑΡΟΥΣΑ Η LEXMARK INTERNATIONAL, INC. ΔΗΛΩΝΕΙ ΟΤΙ ΑΥΤΟ ΤΟ ΠΡΟΪΟΝ ΣΥΜΜΟΡΦΩΝΕΤΑΙ ΠΡΟΣ ΤΙΣ ΟΥΣΙΩΔΕΙΣ ΑΠΑΙΤΗΣΕΙΣ ΚΑΙ ΤΙΣ ΛΟΙΠΕΣ ΣΧΕΤΙΚΕΣ ΔΙΑΤΑΞΕΙΣ ΤΗΣ ΟΔΗΓΙΑΣ 1999/5/ΕΚ. |
| English | Hereby, Lexmark International, Inc., declares that this type of equipment is in compliance with the essential requirements and other relevant provisions of Directive 1999/5/EC. |
| Español | Por medio de la presente, Lexmark International, Inc. declara que este producto cumple con los requisitos esenciales y cualesquiera otras disposiciones aplicables o exigibles de la Directiva 1999/5/CE. |
| Eesti | Käesolevaga kinnitab Lexmark International, Inc., et seade see toode vastab direktiivi 1999/5/EÜ põhinõuetele ja nimetatud direktiivist tulenevatele muudele asjakohastele sätetele. |
| Suomi | Lexmark International, Inc. vakuuttaa täten, että tämä tuote on direktiivin 1999/5/EY oleellisten vaatimusten ja muiden sitä koskevien direktiivin ehtojen mukainen. |
| Français | Par la présente, Lexmark International, Inc. déclare que l'appareil ce produit est conforme aux exigences fondamentales et autres dispositions pertinentes de la directive 1999/5/CE. |
| Magyar | Alulírott, Lexmark International, Inc. nyilatkozom, hogy a termék megfelel a vonatkozó alapvető követelményeknek és az 1999/5/EC irányelv egyéb előírásainak. |
| Íslenska | Hér með lýsir Lexmark International, Inc. yfir því að þessi vara er í samræmi við grunnkröfur og aðrar kröfur, sem gerðar eru í tilskipun 1999/5/EC. |
| Italiano | Con la presente Lexmark International, Inc. dichiara che questo questo prodotto è conforme ai requisiti essenziali ed alle altre disposizioni pertinenti stabilite dalla direttiva 1999/5/CE. |
| Latviski | Ar šo Lexmark International, Inc. deklarē, ka šis izstrādājums atbilst Direktīvas 1999/5/EK būtiskajām prasībām un citiem ar to saistītajiem noteikumiem. |
| Lietuvių | Šiuo Lexmark International, Inc. deklaruoja, kad šis produktas atitinka esminius reikalavimus ir kitas 1999/5/EB direktyvos nuostatas. |

| | |
|------------|--|
| Malti | Bil-preżenti, Lexmark International, Inc., jiddikjara li dan il-prodott huwa konformi mal-ħtiġijiet essenzjali u ma dispożizzjonijiet oħrajn relevanti li jinsabu fid-Direttiva 1999/5/KE. |
| Nederlands | Hierbij verklaart Lexmark International, Inc. dat het toestel dit product in overeenstemming is met de essentiële eisen en de andere relevante bepalingen van richtlijn 1999/5/EG. |
| Norsk | Lexmark International, Inc. erklærer herved at dette produktet er i samsvar med de grunnleggende krav og øvrige relevante krav i direktiv 1999/5/EF. |
| Polski | Niniejszym Lexmark International, Inc. oświadcza, że niniejszy produkt jest zgodny z zasadniczymi wymogami oraz pozostałymi stosownymi postanowieniami Dyrektywy 1999/5/EC. |
| Português | A Lexmark International Inc. declara que este produto está conforme com os requisitos essenciais e outras disposições da Diretiva 1999/5/CE. |
| Slovensky | Lexmark International, Inc. týmto vyhlasuje, že tento produkt spĺňa základné požiadavky a všetky príslušné ustanovenia smernice 1999/5/ES. |
| Slovensko | Lexmark International, Inc. izjavlja, da je ta izdelek v skladu z bistvenimi zahtevami in ostalimi relevantnimi določili direktive 1999/5/ES. |
| Svenska | Härmed intygar Lexmark International, Inc. att denna produkt står i överensstämmelse med de väsentliga egenskapskrav och övriga relevanta bestämmelser som framgår av direktiv 1999/5/EG. |

Statement of Limited Warranty

Lexmark X925, XS925

Lexmark International, Inc., Lexington, KY

This limited warranty applies to the United States and Canada. For customers outside the U.S., refer to the country-specific warranty information that came with your product.

This limited warranty applies to this product only if it was originally purchased for your use, and not for resale, from Lexmark or a Lexmark Remarketer, referred to in this statement as "Remarketer."

Limited warranty

Lexmark warrants that this product:

- Is manufactured from new parts, or new and serviceable used parts, which perform like new parts
- Is, during normal use, free from defects in material and workmanship

If this product does not function as warranted during the warranty period, contact a Remarketer or Lexmark for repair or replacement (at Lexmark's option).

If this product is a feature or option, this statement applies only when that feature or option is used with the product for which it was intended. To obtain warranty service, you may be required to present the feature or option with the product.

If you transfer this product to another user, warranty service under the terms of this statement is available to that user for the remainder of the warranty period. You should transfer proof of original purchase and this statement to that user.

Limited warranty service

The warranty period starts on the date of original purchase as shown on the purchase receipt and ends 12 months later provided that the warranty period for any supplies and for any maintenance items included with the printer shall end earlier if it, or its original contents, are substantially used up, depleted, or consumed.

To obtain warranty service you may be required to present proof of original purchase. You may be required to deliver your product to the Remarketer or Lexmark, or ship it prepaid and suitably packaged to a Lexmark designated location. You are responsible for loss of, or damage to, a product in transit to the Remarketer or the Lexmark designated location.

When warranty service involves the exchange of a product or part, the item replaced becomes the property of the Remarketer or Lexmark. The replacement may be a new or repaired item.

The replacement item assumes the remaining warranty period of the original product.

Replacement is not available to you if the product you present for exchange is defaced, altered, in need of a repair not included in warranty service, damaged beyond repair, or if the product is not free of all legal obligations, restrictions, liens, and encumbrances.

Before you present this product for warranty service, remove all print cartridges, programs, data, and removable storage media (unless directed otherwise by Lexmark).

For further explanation of your warranty alternatives and the nearest Lexmark authorized servicer in your area contact Lexmark on the World Wide Web at <http://support.lexmark.com>.

Remote technical support is provided for this product throughout its warranty period. For products no longer covered by a Lexmark warranty, technical support may not be available or only be available for a fee.

Extent of limited warranty

Lexmark does not warrant uninterrupted or error-free operation of any product or the durability or longevity of prints produced by any product.

Warranty service does not include repair of failures caused by:

- Modification or unauthorized attachments
- Accidents, misuse, abuse or use inconsistent with Lexmark user's guides, manuals, instructions or guidance
- Unsuitable physical or operating environment
- Maintenance by anyone other than Lexmark or a Lexmark authorized servicer
- Operation of a product beyond the limit of its duty cycle
- Use of printing media outside of Lexmark specifications
- Refurbishment, repair, refilling or remanufacture by a third party of products, supplies or parts
- Products, supplies, parts, materials (such as toners and inks), software, or interfaces not furnished by Lexmark

TO THE EXTENT PERMITTED BY APPLICABLE LAW, NEITHER LEXMARK NOR ITS THIRD PARTY SUPPLIERS OR REMARKETERS MAKE ANY OTHER WARRANTY OR CONDITION OF ANY KIND, WHETHER EXPRESS OR IMPLIED, WITH RESPECT TO THIS PRODUCT, AND SPECIFICALLY DISCLAIM THE IMPLIED WARRANTIES OR CONDITIONS OF MERCHANTABILITY, FITNESS FOR A PARTICULAR PURPOSE, AND SATISFACTORY QUALITY. ANY WARRANTIES THAT MAY NOT BE DISCLAIMED UNDER APPLICABLE LAW ARE LIMITED IN DURATION TO THE WARRANTY PERIOD. NO WARRANTIES, EXPRESS OR IMPLIED, WILL APPLY AFTER THIS PERIOD. ALL INFORMATION, SPECIFICATIONS, PRICES, AND SERVICES ARE SUBJECT TO CHANGE AT ANY TIME WITHOUT NOTICE.

Limitation of liability

Your sole remedy under this limited warranty is set forth in this document. For any claim concerning performance or nonperformance of Lexmark or a Remarketer for this product under this limited warranty, you may recover actual damages up to the limit set forth in the following paragraph.

Lexmark's liability for actual damages from any cause whatsoever will be limited to the amount you paid for the product that caused the damages. This limitation of liability will not apply to claims by you for bodily injury or damage to real property or tangible personal property for which Lexmark is legally liable. **IN NO EVENT WILL LEXMARK BE LIABLE FOR ANY LOST PROFITS, LOST SAVINGS, INCIDENTAL DAMAGE, OR OTHER ECONOMIC OR CONSEQUENTIAL DAMAGES.** This is true even if you advise Lexmark or a Remarketer of the possibility of such damages. Lexmark is not liable for any claim by you based on a third party claim.

This limitation of remedies also applies to claims against any Suppliers and Remarketers of Lexmark. Lexmark's and its Suppliers' and Remarketers' limitations of remedies are not cumulative. Such Suppliers and Remarketers are intended beneficiaries of this limitation.

Additional rights

Some states do not allow limitations on how long an implied warranty lasts, or do not allow the exclusion or limitation of incidental or consequential damages, so the limitations or exclusions contained above may not apply to you.

This limited warranty gives you specific legal rights. You may also have other rights that vary from state to state.

LEXMARK SOFTWARE LIMITED WARRANTY AND LICENSE AGREEMENT

PLEASE READ CAREFULLY BEFORE USING THIS PRODUCT: BY USING THIS PRODUCT, YOU AGREE TO BE BOUND BY ALL THE TERMS AND CONDITIONS OF THIS SOFTWARE LIMITED WARRANTY AND LICENSE AGREEMENT. IF YOU DO NOT AGREE WITH THE TERMS OF THIS SOFTWARE LIMITED WARRANTY AND LICENSE AGREEMENT, PROMPTLY RETURN THE PRODUCT UNUSED AND REQUEST A REFUND OF THE AMOUNT YOU PAID. IF YOU ARE INSTALLING THIS PRODUCT FOR USE BY OTHER PARTIES, YOU AGREE TO INFORM THE USERS THAT USE OF THE PRODUCT INDICATES ACCEPTANCE OF THESE TERMS.

LEXMARK SOFTWARE LICENSE AGREEMENT

This License Agreement ("Software License Agreement") is a legal agreement between you (either an individual or a single entity) and Lexmark International, Inc. ("Lexmark") that, to the extent your Lexmark product or Software Program is not otherwise subject to a written software license agreement between you and Lexmark or its suppliers, governs your use of any Software Program installed on or provided by Lexmark for use in connection with your Lexmark product. The term "Software Program" includes machine-readable instructions, audio/visual content (such as images and recordings), and associated media, printed materials and electronic documentation, whether incorporated into, distributed with or for use with your Lexmark product.

- 1 STATEMENT OF SOFTWARE LIMITED WARRANTY.** Lexmark warrants that the media (e.g., diskette or compact disk) on which the Software Program (if any) is furnished is free from defects in materials and workmanship under normal use during the warranty period. The warranty period is ninety (90) days and commences on the date the Software Program is delivered to the original end-user. This limited warranty applies only to Software Program media purchased new from Lexmark or an Authorized Lexmark Reseller or Distributor. Lexmark will replace the Software Program should it be determined that the media does not conform to this limited warranty.
- 2 DISCLAIMER AND LIMITATION OF WARRANTIES.** EXCEPT AS PROVIDED IN THIS SOFTWARE LICENSE AGREEMENT AND TO THE MAXIMUM EXTENT PERMITTED BY APPLICABLE LAW, LEXMARK AND ITS SUPPLIERS PROVIDE THE SOFTWARE PROGRAM "AS IS" AND HEREBY DISCLAIM ALL OTHER WARRANTIES AND CONDITIONS, EITHER EXPRESS OR IMPLIED, INCLUDING, BUT NOT LIMITED TO, TITLE, NON-INFRINGEMENT, MERCHANTABILITY AND FITNESS FOR

A PARTICULAR PURPOSE, AND ABSENCE OF VIRUSES, ALL WITH REGARD TO THE SOFTWARE PROGRAM. TO THE EXTENT LEXMARK CANNOT BY LAW DISCLAIM ANY COMPONENT OF THE IMPLIED WARRANTIES OF MERCHANTABILITY OR FITNESS FOR A PARTICULAR PURPOSE, LEXMARK LIMITS THE DURATION OF SUCH WARRANTIES TO THE 90-DAY TERM OF THE EXPRESS SOFTWARE LIMITED WARRANTY.

This Agreement is to be read in conjunction with certain statutory provisions, as that may be in force from time to time, that imply warranties or conditions or impose obligations on Lexmark that cannot be excluded or modified. If any such provisions apply, then to the extent Lexmark is able, Lexmark hereby limits its liability for breach of those provisions to one of the following: providing you a replacement copy of the Software Program or reimbursement of the price paid for the Software Program.

The Software Program may include internet links to other software applications and/or internet web pages hosted and operated by third parties unaffiliated with Lexmark. You acknowledge and agree that Lexmark is not responsible in any way for the hosting, performance, operation, maintenance, or content of, such software applications and/or internet web pages.

- 3 LIMITATION OF REMEDY.** TO THE MAXIMUM EXTENT PERMITTED BY APPLICABLE LAW, ANY AND ALL LIABILITY OF LEXMARK UNDER THIS SOFTWARE LICENSE AGREEMENT IS EXPRESSLY LIMITED TO THE GREATER OF THE PRICE PAID FOR THE SOFTWARE PROGRAM AND FIVE U.S. DOLLARS (OR THE EQUIVALENT IN LOCAL CURRENCY). YOUR SOLE REMEDY AGAINST LEXMARK IN ANY DISPUTE UNDER THIS SOFTWARE LICENSE AGREEMENT SHALL BE TO SEEK TO RECOVER ONE OF THESE AMOUNTS, UPON PAYMENT OF WHICH LEXMARK SHALL BE RELEASED AND DISCHARGED OF ALL FURTHER OBLIGATIONS AND LIABILITY TO YOU.

IN NO EVENT WILL LEXMARK, ITS SUPPLIERS, SUBSIDIARIES, OR RESELLERS BE LIABLE FOR ANY SPECIAL, INCIDENTAL, INDIRECT, EXEMPLARY, PUNITIVE, OR CONSEQUENTIAL DAMAGES (INCLUDING BUT NOT LIMITED TO LOST PROFITS OR REVENUES, LOST SAVINGS, INTERRUPTION OF USE OR ANY LOSS OF, INACCURACY IN, OR DAMAGE TO, DATA OR RECORDS, FOR CLAIMS OF THIRD PARTIES, OR DAMAGE TO REAL OR TANGIBLE PROPERTY, FOR LOSS OF PRIVACY ARISING OUT OR IN ANY WAY RELATED TO THE USE OF OR INABILITY TO USE THE SOFTWARE PROGRAM, OR OTHERWISE IN CONNECTION WITH ANY PROVISION OF THIS SOFTWARE LICENSE AGREEMENT), REGARDLESS OF THE NATURE OF THE CLAIM, INCLUDING BUT NOT LIMITED TO BREACH OF WARRANTY OR CONTRACT, TORT (INCLUDING NEGLIGENCE OR STRICT LIABILITY), AND EVEN IF LEXMARK, OR ITS SUPPLIERS, AFFILIATES, OR REMARKETERS HAVE BEEN ADVISED OF THE POSSIBILITY OF SUCH DAMAGES, OR FOR ANY CLAIM BY YOU BASED ON A THIRD-PARTY CLAIM, EXCEPT TO THE EXTENT THIS EXCLUSION OF DAMAGES IS DETERMINED LEGALLY INVALID. THE FOREGOING LIMITATIONS APPLY EVEN IF THE ABOVE-STATED REMEDIES FAIL OF THEIR ESSENTIAL PURPOSE.

- 4 U.S.A. STATE LAWS.** This Software Limited Warranty gives you specific legal rights. You may also have other rights that vary from state to state. Some states do not allow limitations on how long an implied warranty lasts or the exclusion of limitation of incidental or consequential damages, so the above limitations may not apply to you.

- 5 LICENSE GRANT.** Lexmark grants you the following rights provided you comply with all terms and conditions of this License Agreement:

- a Use.** You may Use one (1) copy of the Software Program. The term "Use" means storing, loading, installing, executing, or displaying the Software Program. If Lexmark has licensed the Software Program to you for concurrent use, you must limit the number of authorized users to the number specified in your agreement with Lexmark. You may not separate the components of the Software Program for use on more than one computer. You agree that you will not Use the Software Program, in whole or in part, in any manner that has the effect of overriding, modifying, eliminating, obscuring, altering or de-emphasizing the visual appearance of any trademark, trade name, trade dress or intellectual property notice that appears on any computer display screens normally generated by, or as a result of, the Software Program.
- b Copying.** You may make one (1) copy of the Software Program solely for purposes of backup, archiving, or installation, provided the copy contains all of the original Software Program's proprietary notices. You may not copy the Software Program to any public or distributed network.

- c Reservation of Rights.** The Software Program, including all fonts, is copyrighted and owned by Lexmark International, Inc. and/or its suppliers. Lexmark reserves all rights not expressly granted to you in this License Agreement.
- d Freeware.** Notwithstanding the terms and conditions of this License Agreement, all or any portion of the Software Program that constitutes software provided under public license by third parties (“Freeware”) is licensed to you subject to the terms and conditions of the software license agreement accompanying such Freeware, whether in the form of a discrete agreement, shrink-wrap license, or electronic license terms at the time of download. Use of the Freeware by you shall be governed entirely by the terms and conditions of such license.
- 6 TRANSFER.** You may transfer the Software Program to another end-user. Any transfer must include all software components, media, printed materials, and this License Agreement and you may not retain copies of the Software Program or components thereof. The transfer may not be an indirect transfer, such as a consignment. Prior to the transfer, the end-user receiving the transferred Software Program must agree to all these License Agreement terms. Upon transfer of the Software Program, your license is automatically terminated. You may not rent, sublicense, or assign the Software Program except to the extent provided in this License Agreement, and any attempt to do so shall be void.
- 7 UPGRADES.** To Use a Software Program identified as an upgrade, you must first be licensed to the original Software Program identified by Lexmark as eligible for the upgrade. After upgrading, you may no longer use the original Software Program that formed the basis for your upgrade eligibility.
- 8 LIMITATION ON REVERSE ENGINEERING.** You may not alter, decrypt, reverse engineer, reverse assemble, reverse compile or otherwise translate the Software Program, except as and to the extent expressly permitted to do so by applicable law for the purposes of inter-operability, error correction, and security testing. If you have such statutory rights, you will notify Lexmark in writing of any intended reverse engineering, reverse assembly, or reverse compilation. You may not decrypt the Software Program unless necessary for the legitimate Use of the Software Program.
- 9 ADDITIONAL SOFTWARE.** This License Agreement applies to updates or supplements to the original Software Program provided by Lexmark unless Lexmark provides other terms along with the update or supplement.
- 10 TERM.** This License Agreement is effective unless terminated or rejected. You may reject or terminate this license at any time by destroying all copies of the Software Program, together with all modifications, documentation, and merged portions in any form, or as otherwise described herein. Lexmark may terminate your license upon notice if you fail to comply with any of the terms of this License Agreement. Upon such termination, you agree to destroy all copies of the Software Program together with all modifications, documentation, and merged portions in any form.
- 11 TAXES.** You agree that you are responsible for payment of any taxes including, without limitation, any goods and services and personal property taxes, resulting from this Agreement or your Use of the Software Program.
- 12 LIMITATION ON ACTIONS.** No action, regardless of form, arising out of this Agreement may be brought by either party more than two years after the cause of action has arisen, except as provided under applicable law.
- 13 APPLICABLE LAW.** This Agreement is governed by the laws of the Commonwealth of Kentucky, United States of America. No choice of law rules in any jurisdiction shall apply. The UN Convention on Contracts for the International Sale of Goods shall not apply.
- 14 UNITED STATES GOVERNMENT RESTRICTED RIGHTS.** The Software Program has been developed entirely at private expense. Rights of the United States Government to use the Software Program is as set forth in this Agreement and as restricted in DFARS 252.227-7014 and in similar FAR provisions (or any equivalent agency regulation or contract clause).
- 15 CONSENT TO USE OF DATA.** You agree that Lexmark, its affiliates, and agents may collect and use information you provide in relation to support services performed with respect to the Software Program and requested by you. Lexmark agrees not to use this information in a form that personally identifies you except to the extent necessary to provide such services.

- 16 EXPORT RESTRICTIONS.** You may not (a) acquire, ship, transfer, or reexport, directly or indirectly, the Software Program or any direct product therefrom, in violation of any applicable export laws or (b) permit the Software Program to be used for any purpose prohibited by such export laws, including, without limitation, nuclear, chemical, or biological weapons proliferation.
- 17 AGREEMENT TO CONTRACT ELECTRONICALLY.** You and Lexmark agree to form this License Agreement electronically. This means that when you click the “Agree” or “Yes” button on this page or use this product, you acknowledge your agreement to these License Agreement terms and conditions and that you are doing so with the intent to “sign” a contract with Lexmark.
- 18 CAPACITY AND AUTHORITY TO CONTRACT.** You represent that you are of the legal age of majority in the place you sign this License Agreement and, if applicable, you are duly authorized by your employer or principal to enter into this contract.
- 19 ENTIRE AGREEMENT.** This License Agreement (including any addendum or amendment to this License Agreement that is included with the Software Program) is the entire agreement between you and Lexmark relating to the Software Program. Except as otherwise provided for herein, these terms and conditions supersede all prior or contemporaneous oral or written communications, proposals, and representations with respect to the Software Program or any other subject matter covered by this License Agreement (except to the extent such extraneous terms do not conflict with the terms of this License Agreement, any other written agreement signed by you and Lexmark relating to your Use of the Software Program). To the extent any Lexmark policies or programs for support services conflict with the terms of this License Agreement, the terms of this License Agreement shall control.

MICROSOFT CORPORATION NOTICES

- 1 This product may incorporate intellectual property owned by Microsoft Corporation. The terms and conditions upon which Microsoft is licensing such intellectual property may be found at <http://go.microsoft.com/fwlink/?LinkId=52369>.
- 2 This product is based on Microsoft Print Schema technology. You may find the terms and conditions upon which Microsoft is licensing such intellectual property at <http://go.microsoft.com/fwlink/?LinkId=83288>.

ADOBE SYSTEMS INCORPORATED NOTICE

Contains Flash®, Flash® Lite™ and/or Reader® technology by Adobe Systems Incorporated

This Product contains Adobe® Flash® player software under license from Adobe Systems Incorporated, Copyright © 1995-2007 Adobe Macromedia Software LLC. All rights reserved. Adobe, Reader and Flash are trademarks of Adobe Systems Incorporated.

Patent acknowledgment

The use of this product or service is subject to the reasonable, non-discriminatory terms in the Intellectual Property Rights (IPR) Disclosure of Certicom Corp. at the IETF for Elliptic Curve Cryptography (ECC) Cipher Suites for Transport Layer Security (TLS) implemented in the product or service.

The use of this product or service is subject to the reasonable, non-discriminatory terms in the Intellectual Property Rights (IPR) Disclosure of Certicom Corp. at the IETF for TLS Elliptic Curve Cipher Suites with SHA-256/382 and AES Galois Counter Mode (GCM) implemented in the product or service.

The use of this product or service is subject to the reasonable, non-discriminatory terms in the Intellectual Property Rights (IPR) Disclosure of Certicom Corp. at the IETF for TLS Suite B Profile for Transport Layer Security (TLS) implemented in the product or service.

The use of this product or service is subject to the reasonable, non-discriminatory terms in the Intellectual Property Rights (IPR) Disclosure of Certicom Corp. at the IETF for Addition of the Camellia Cipher Suites to Transport Layer Security (TLS) implemented in the product or service.

The use of certain patents in this product or service is subject to the reasonable, non-discriminatory terms in the Intellectual Property Rights (IPR) Disclosure of Certicom Corp. at the IETF for AES-CCM ECC Cipher Suites for TLS implemented in the product or service.

The use of this product or service is subject to the reasonable, non-discriminatory terms in the Intellectual Property Rights (IPR) Disclosure of Certicom Corp. at the IETF for IKE and IKEv2 Authentication Using the Elliptic Curve Digital Signature Algorithm (ECDSA) implemented in the product or service.

The use of this product or service is subject to the reasonable, non-discriminatory terms in the Intellectual Property Rights (IPR) Disclosure of Certicom Corp. at the IETF for Suite B Cryptographic Suites for IPsec implemented in the product or service.

The use of this product or service is subject to the reasonable, non-discriminatory terms in the Intellectual Property Rights (IPR) Disclosure of Certicom Corp. at the IETF for Algorithms for Internet Key Exchange version 1 (IKEv1) implemented in the product or service.

Index

Numerics

1565 Emulation error, load emulation option 268
 200 paper jam 254
 201 paper jam 255
 203 paper jam 256
 230 paper jam 257
 231–239 paper jams 257
 24x paper jam 258
 250 paper jam 261
 280–289 paper jam 261
 290–292 paper jams 262
 30.xx Missing [color] cartridge and/or [color] imaging unit 268
 31.xx Missing or Defective [color] cartridge 268
 32.xx [color] cartridge part number unsupported by device 268
 34 Incorrect paper size, open [src] 269
 35 Insufficient memory to support Resource Save feature 269
 36 Printer service required 269
 37 Insufficient memory for Flash Memory Defragment operation 269
 37 Insufficient memory to collate job 269
 37 Insufficient memory, some Held Jobs were deleted 269
 37 Insufficient memory, some held jobs will not be restored 270
 38 Memory full 270
 39 Complex page, some data may not have printed 270
 451 paper jam 262
 51 Defective flash detected 270
 52 Not enough free space in flash memory for resources 270
 53 Unformatted flash detected 270
 54 Network [x] software error 271
 54 Serial option [x] error 270
 54 Standard network software error 271
 55 Unsupported option in slot [x] 271
 550-sheet tray (standard or optional) loading 82
 550-sheet tray and printer stand installing 47
 550-sheet tray, optional installing 53
 56 Parallel port [x] disabled 271
 56 Serial port [x] disabled 271
 56 Standard parallel port disabled 272
 56 Standard USB port disabled 272
 56 USB port [x] disabled 272
 57 Configuration change, some held jobs were not restored 272
 58 Input config error 272
 58 Too many disks installed 272
 58 Too many flash options installed 273
 58 Too many trays attached 273
 61 Remove defective disk 273
 62 Disk full 273
 80.xx Fuser life warning 274
 80.xx Fuser missing 274
 80.xx Fuser near life warning 273
 80.xx Replace fuser 274
 82.xx Replace waste toner bottle 274
 82.xx Waste toner bottle nearly full 274
 83.xx Replace transfer module 274
 83.xx Transfer module life warning 274
 83.xx Transfer module missing 274
 84 Defective [color] imaging unit 275
 84 unsupported [color] imaging unit 275
 84.xx [color] imaging unit low 275
 84.xx [color] imaging unit nearly low 275
 84.xx Replace [color] imaging unit and [color] cartridge 275
 88.2x Replace [color] cartridge 276
 88.xx [color] cartridge low 275
 88.xx [color] cartridge nearly low 275

A

accessing the Embedded Web Server 30
 accessing the system board 36
 Active NIC menu 160
 adding a date and time stamp 112
 ADF
 copying using 105
 ADF parts
 cleaning 234
 ADF pick roll
 ordering 241
 ADF separator roll
 ordering 241
 Adjusting color 263
 adjusting copy quality 109
 adjusting Sleep Mode 77
 adjusting toner darkness 96
 advanced options, touch-screen
 copy 115
 fax 134
 FTP 141
 AppleTalk menu 165
 assigning a custom paper type name 89
 attaching cables 60
 Automatic Document Feeder (ADF)
 using 22
 available internal options 35
 avoiding jams 92
 avoiding paper jams 252

B

black-and-white printing 96
 blank pages 298
 blocking junk faxes 132
 buttons, printer control panel 23
 buttons, touch screen
 using 26

C

cables
 Ethernet 60
 USB 60
 calling customer support 307
 canceling
 print job, from computer 104

- canceling a print job
 - from a computer 104
 - from the printer control panel 103
 - canceling an e-mail 120
 - cannot open Embedded Web Server 306
 - card stock
 - loading in multipurpose feeder 86
 - tips 101
 - Change [paper source] to [custom string] 264
 - Change [paper source] to [custom string] load [orientation] 264
 - Change [paper source] to [custom type name] 263
 - Change [paper source] to [custom type name] load [orientation] 264
 - Change [paper source] to [paper size] [paper type] 264
 - Change [paper source] to [paper size] [paper type] load [orientation] 264
 - checking an unresponsive printer 263
 - checking an unresponsive scanner 282
 - checking printer status
 - on Embedded Web Server 249
 - checking printer status using the Embedded Web Server 249
 - checking status of supplies 239
 - checking the status of supplies 239
 - checking the virtual display
 - using the Embedded Web Server 249
 - checking virtual display
 - using the Embedded Web Server 249
 - choosing a fax connection 124
 - cleaning
 - ADF parts 234
 - exterior of the printer 233
 - scanner glass 233
 - cleaning the printhead lenses 235
 - Close [tray] door 264
 - Close front or side door 265
 - collating copies 110
 - confidential print jobs 101
 - printing from a Macintosh computer 102
 - printing from Windows 102
 - Confidential Print menu 174
 - configuration information
 - wireless network 63
 - configurations
 - printer 19
 - Configure MP menu 153
 - configuring e-mail settings 116
 - configuring port settings 71
 - connecting printer to distinctive ring service 126
 - connecting the printer to regional adapters 126
 - conservation settings
 - brightness, adjusting 78
 - Eco-Mode 76
 - Quiet Mode 76
 - Sleep Mode 77, 78
 - standard exit bin lighting 79
 - conserving supplies 75
 - contacting customer support 307
 - control panel, printer 23
 - copy quality
 - adjusting 109
 - copy screen
 - advanced options 115
 - options 113, 114, 115, 140
 - Copy Settings menu 187
 - copy troubleshooting
 - copier does not respond 279
 - partial document or photo copies 281
 - poor copy quality 280
 - poor scanned image quality 283
 - scanner unit does not close 280
 - copying
 - adding a date and time stamp 112
 - adding an overlay message 112
 - adjusting quality 109
 - canceling a copy job 112, 113
 - collating copies 110
 - custom job (job build) 111
 - different paper sizes 108
 - enlarging 109
 - multiple pages on one sheet 111
 - on both sides of the paper (duplexing) 108
 - on letterhead 106
 - on transparencies 106
 - photos 106
 - placing separator sheets between copies 110
 - quick copy 105
 - reducing 109
 - selecting a tray 107
 - to a different size 107
 - using the ADF 105
 - using the scanner glass (flatbed) 106
 - copying different paper sizes 108
 - copying multiple pages on one sheet 111
 - copying on both sides of the paper (duplexing) 108
 - copying on letterhead 106
 - copying on transparencies 106
 - copying photos 106
 - corrupted printer hard disk 265
 - creating a fax destination shortcut
 - using the Embedded Web Server 128
 - creating an FTP shortcut
 - using the Embedded Web Server 137
 - creating profiles
 - using the ScanBack Utility 143
 - custom name
 - configuring 89
 - Custom Names menu 157
 - custom paper type name
 - creating 89
 - Custom Scan Sizes menu 157
 - Custom Type [x]
 - changing name 89
 - changing paper type 89
 - Custom Types menu 157
- D**
- date and time, fax
 - setting 127
 - daylight savings time, faxing 128
 - Default Source menu 149
 - different paper sizes, copying 108
 - directory list
 - printing 103
 - disk wiping 231
 - Disk Wiping menu 175
 - display troubleshooting
 - display is blank 276
 - display shows only diamonds 276
 - display, printer control panel 23
 - adjusting brightness 78
 - disposing of printer hard disk 230
 - distinctive ring service, fax
 - connecting to 126

documents, printing
 from Macintosh 96
 from Windows 96
 duplexing 108

E

Eco-Mode setting 76
 Edit Security Setups menu 172
 Embedded Web Server
 accessing 30, 249
 administrator settings 249
 checking printer status 249
 checking supplies 239
 creating a fax destination
 shortcut 128
 creating an FTP shortcut 137
 creating e-mail shortcuts 117
 functions 249
 initial fax setup 123
 networking settings 249
 problem accessing 306
 setting up e-mail alerts 250
 using 249
 Embedded Web Server
 Administrator's Guide
 where to find 249
 emission
 notices 309, 310, 312, 313, 316,
 317
 encrypting the printer hard
 disk 232
 enlarging a copy 109
 envelopes
 loading in multipurpose feeder 86
 tips on using 100
 environmental settings
 brightness, adjusting 78
 conserving supplies 75
 Eco-Mode 76
 Hibernate Mode 78
 Quiet Mode 76
 Sleep Mode 77
 standard exit bin lighting 79
 erasing hard disk memory 231
 erasing non-volatile memory 231
 erasing volatile memory 230
 Ethernet network setup
 using Macintosh 68
 using Windows 68
 Ethernet networking
 Macintosh 68
 Windows 68

Ethernet port 60
 exporting a configuration
 using the Embedded Web
 Server 31
 exporting a configuration using the
 Embedded Web Server 31
 exterior of the printer
 cleaning 233
 e-mail
 canceling 120
 e-mail alert
 different paper is needed 250
 notice of low supply level 250
 notice of paper jam 250
 e-mail function
 setting up 116
 e-mail screen
 advanced options 122
 options 120, 121, 122
 E-mail Settings menu 200
 e-mail shortcuts, creating
 using the Embedded Web
 Server 117
 e-mail, sending
 using a shortcut number 118
 using the address book 118
 using the touch screen 118
 e-mailing
 adding message line 119
 adding subject line 119
 changing output file type 119
 configuring e-mail settings 116
 creating shortcuts using the
 Embedded Web Server 117
 creating shortcuts using the touch
 screen 117
 setting up e-mail function 116
 using a shortcut number 118
 using the address book 118
 using the touch screen 118

F

factory defaults
 restoring 251
 FAQ about color printing 303
 fax and e-mail functions
 setting up 284
 fax and e-mail functions are not set
 up 284
 fax connection
 connecting the printer to the wall
 jack 124
 connecting to a DSL line 125
 connecting to a PBX or ISDN 125
 fax connections
 regional adapters 126
 fax log
 viewing 132
 Fax Mode (Analog Fax Setup)
 menu 191
 Fax Mode (Fax Server Setup)
 menu 199
 fax screen
 advanced options 134
 options 133, 134
 fax troubleshooting
 caller ID is not shown 284
 can receive but not send
 faxes 287
 can send but not receive
 faxes 286
 cannot send or receive a fax 285
 received fax has poor print
 quality 287
 faxing
 blocking junk faxes 132
 canceling a fax job 132, 133
 changing resolution 131
 choosing a fax connection 124
 configuring the printer to observe
 daylight saving time 128
 creating shortcuts using the
 Embedded Web Server 128
 creating shortcuts using the touch
 screen 129
 distinctive ring service 126
 fax setup 123
 forwarding faxes 135
 holding faxes 135
 making a fax lighter or darker 131
 sending a fax 129
 sending a fax at a scheduled
 time 131
 sending using the touch
 screen 129
 setting the date and time 127
 setting the fax number or station
 number 127
 setting the outgoing fax name or
 station name 127
 viewing a fax log 132
 FCC notices 309, 313, 316
 features
 Scan Center 143

finding more information about the printer 17
 finding printer IP address 30
 Finishing menu 218
 firmware card
 installing 39
 flash drive
 printing from 97
 Flash Drive menu 210
 flash drives
 supported file types 98
 flash memory card
 installing 39
 troubleshooting 290
 font sample list
 printing 102
 Forms and Favorites
 setting up 32
 forwarding faxes 135
 FTP
 scanning using address book 139
 FTP address
 creating shortcuts using the touch screen 138
 FTP screen
 advanced options 141
 options 139, 140, 141
 FTP Settings menu 206
 fuser
 ordering 240

G

General Settings menu 178
 Green settings
 Eco-Mode 76
 Quiet Mode 76
 green settings
 Hibernate Mode 78

H

held jobs 101
 printing from a Macintosh computer 102
 printing from Windows 102
 Help menu 228
 Hibernate Mode
 using 78
 hiding icons on the home screen 30
 holding faxes 135
 home screen
 hiding icons 30

 showing icons 30
 home screen buttons and icons
 description 25
 HTML menu 227

I

Image menu 228
 imaging unit
 replacing 241
 imaging units
 ordering 240
 importing a configuration
 using the Embedded Web Server 31
 importing a configuration using the Embedded Web Server 31
 initial fax setup 123
 using the Embedded Web Server 123
 Install Tray [x] 265
 installing a memory card 37
 installing an Internal Solutions Port 40
 installing on a wireless network
 using Windows 64
 installing options
 550-sheet tray and printer stand 47
 order of installation 46
 installing printer
 on wireless network 64
 installing printer hard disk 44
 installing printer on a network
 Ethernet networking 68
 installing printer on a wireless network
 using Macintosh 66
 installing printer software
 adding options 62
 installing printer software (Windows) 61
 installing trays
 550-sheet tray 53
 internal print server
 troubleshooting 290
 Internal Solutions Port
 changing port settings 71
 installing 40
 troubleshooting 290
 IP address, printer
 finding 30
 IPv6 menu 163

J

jams
 avoiding 252
 locating jam areas 252
 locations 252
 numbers 252
 jams, clearing
 200 paper jam 254
 201 paper jam 255
 203 paper jam 256
 230 paper jam 257
 231–239 paper jams 257
 24x paper jam 258
 250 paper jam 261
 280–289 paper jam 261
 28x 234
 290–292 paper jams 262
 451 paper jam 262
 Job Accounting menu 216

L

labels, paper
 tips 100
 letterhead
 copying on 106
 loading, multipurpose feeder 99
 loading, trays 99
 light colored line, white line, or incorrectly colored line appears on prints 294
 light, indicator 23
 linking trays 88
 Load Manual Feeder with [custom string] 267
 Load Manual Feeder with [custom type name] 266
 Load Manual Feeder with [paper size] 267
 Load Manual Feeder with [paper type] [paper size] 267
 loading
 550-sheet tray (standard or optional) 82
 multipurpose feeder 86
 loading card stock
 in multipurpose feeder 86
 loading envelopes
 in multipurpose feeder 86
 loading letterhead
 paper orientation 99
 loading the multipurpose feeder 86

loading the standard tray 82
 loading transparencies
 in multipurpose feeder 86

M

making copies using paper from
 selected tray 107
 max speed
 using 103
 max yield
 using 103
 memory
 types installed on printer 230
 memory card
 installing 37
 troubleshooting 291
 menu settings page
 printing 61
 menus
 Active NIC 160
 AppleTalk 165
 Confidential Print 174
 Configure MP 153
 Copy Settings 187
 Custom Names 157
 Custom Scan Sizes 157
 Custom Types 157
 Default Source 149
 diagram of 146
 Disk Wiping 175
 Edit Security Setups 172
 E-mail Settings 200
 Fax Mode (Analog Fax Setup) 191
 Fax Mode (Fax Server Setup) 199
 Finishing 218
 Flash Drive 210
 FTP Settings 206
 General Settings 178
 Help 228
 HTML 227
 Image 228
 IPv6 163
 Job Accounting 216
 Miscellaneous 173
 Network [x] 160
 Network Card 162
 Network Reports 162
 Paper Loading 155
 Paper Size/Type 150
 Paper Weight 153
 Parallel [x] 167
 PCL Emul 224

PDF 223
 PostScript 224
 Quality 219
 Reports 158
 Security Audit Log 176
 Serial [x] 169
 Set Date/Time 177
 Settings 215
 SMTP Setup menu 171
 Standard Network 160
 Standard USB 165
 Substitute Size 153
 Supplies 147
 TCP/IP 162
 Universal Setup 158
 Utilities 222
 Wireless 164
 XPS 223
 menus diagram 146
 Miscellaneous menu 173
 mobile device
 printing from 97
 moving the printer 247, 248
 moving your printer 18
 multipurpose feeder
 loading 86
 My MFP
 setting up 33

N

Network [x] menu 160
 Network Card menu 162
 Network Reports menu 162
 network setup page
 printing 61
 Networking Guide
 where to find 249
 noise emission levels 310
 non-volatile memory 230
 erasing 231
 notices 309, 310, 311, 312, 313,
 314, 315, 316, 317, 318

O

optional 550-sheet tray
 installing 53
 options
 firmware card 39
 firmware cards 35
 flash memory card 39

Internal Solutions Port,
 installing 40
 list 35
 memory card, installing 37
 memory cards 35
 printer hard disk, installing 44
 updating in printer driver 62
 options, touch-screen
 copy 113, 114, 115, 140
 e-mail 120, 121, 122
 fax 133, 134
 FTP 139, 140, 141
 scan 144
 scan to computer 144, 145
 ordering
 toner cartridges 239
 ordering a fuser 240
 ordering a transfer module 240
 ordering a waste toner bottle 240
 ordering imaging units 240
 output file type
 changing 119

P

paper
 characteristics 90
 different sizes, copying 108
 letterhead 91
 preprinted forms 91
 recycled 91
 saving 111
 selecting 91
 storing 90, 92
 unacceptable 91
 Universal size setting 81
 using recycled 75
 Paper changes needed 267
 paper characteristics 90
 paper feed troubleshooting
 message remains after jam is
 cleared 291
 paper jams
 avoiding 252
 paper jams, clearing
 231-239 paper jams 257
 24x paper jam 258
 250 paper jam 261
 280-289 paper jam 261
 28x 234
 290-292 paper jams 262
 451 paper jam 262
 Paper Loading menu 155

- paper size
 - setting 81
- Paper Size/Type menu 150
- paper sizes
 - supported 93
- paper type
 - setting 81
- paper types
 - duplex support 95
 - supported by printer 95
 - where to load 95
- Paper Weight menu 153
- Parallel [x] menu 167
- PCL Emul menu 224
- PDF menu 223
- photos
 - copying 106
- placing separator sheets between copies 110
- port settings
 - configuring 71
- PostScript menu 224
- print job
 - canceling, from computer 104
- print quality
 - cleaning the ADF parts 234
 - cleaning the printhead lenses 235
 - cleaning the scanner glass 233
- print quality troubleshooting
 - blank pages 298
 - characters have jagged edges 292
 - clipped images 292
 - fine horizontal lines 293
 - gray background 293
 - light colored line, white line, or incorrectly colored line appears on prints 294
 - poor transparency quality 303
 - print irregularities 295
 - print is too dark 296
 - print is too light 297
 - repeating defects appear on a page 298
 - shadow images appear on prints 299
 - skewed print 300
 - solid color pages 300
 - streaked horizontal lines appear on prints 301
 - streaked vertical lines on prints 301
- toner fog or background shading on the page 302
- toner rubs off 302
- toner specks 302
- uneven print density 303
- print troubleshooting
 - error reading flash drive 276
 - held jobs do not print 277
 - incorrect characters print 278
 - incorrect margins 293
 - jammed pages are not reprinted 292
 - job prints from wrong tray 278
 - job prints on wrong paper 278
 - jobs do not print 276
 - Large jobs do not collate 279
 - multiple-language PDF files do not print 276
 - paper curl 295
 - paper frequently jams 291
 - print job takes longer than expected 278
 - tray linking does not work 278
 - unexpected page breaks occur 279
- printer
 - configurations 19
 - minimum clearances 18
 - models 19
 - moving 18, 247, 248
 - selecting a location 18
 - shipping 248
- printer control panel 23
 - adjusting brightness 78
 - factory defaults, restoring 251
- printer hard disk
 - disposing of 230
 - encrypting 232
 - installing 44
 - removing 45
 - troubleshooting 290
 - wiping 231
- printer hard disk encryption 232
- printer hard disk memory erasing 231
- printer information
 - where to find 17
- printer IP address
 - finding 30
- printer messages
 - 1565 Emulation error, load emulation option 268
 - 30.xx Missing [color] cartridge and/or [color] imaging unit 268
 - 31.xx Missing or Defective [color] cartridge 268
 - 32.xx [color] cartridge part number unsupported by device 268
 - 34 Incorrect paper size, open [src] 269
 - 35 Insufficient memory to support Resource Save feature 269
 - 36 Printer service required 269
 - 37 Insufficient memory for Flash Memory Defragment operation 269
 - 37 Insufficient memory to collate job 269
 - 37 Insufficient memory, some Held Jobs were deleted 269
 - 37 Insufficient memory, some held jobs will not be restored 270
 - 38 Memory full 270
 - 39 Complex page, some data may not have printed 270
 - 51 Defective flash detected 270
 - 52 Not enough free space in flash memory for resources 270
 - 53 Unformatted flash detected 270
 - 54 Network [x] software error 271
 - 54 Serial option [x] error 270
 - 54 Standard network software error 271
 - 55 Unsupported option in slot [x] 271
 - 56 Parallel port [x] disabled 271
 - 56 Serial port [x] disabled 271
 - 56 Standard parallel port disabled 272
 - 56 Standard USB port disabled 272
 - 56 USB port [x] disabled 272
 - 57 Configuration change, some held jobs were not restored 272
 - 58 Input config error 272
 - 58 Too many disks installed 272
 - 58 Too many flash options installed 273
 - 58 Too many trays attached 273
 - 61 Remove defective disk 273
 - 62 Disk full 273
 - 80.xx Fuser life warning 274

- 80.xx Fuser missing 274
 - 80.xx Fuser near life warning 273
 - 80.xx Replace fuser 274
 - 82.xx Replace waste toner bottle 274
 - 82.xx Waste toner bottle nearly full 274
 - 83.xx Replace transfer module 274
 - 83.xx Transfer module life warning 274
 - 83.xx Transfer module missing 274
 - 84 Defective [color] imaging unit 275
 - 84 unsupported [color] imaging unit 275
 - 84.xx [color] imaging unit low 275
 - 84.xx [color] imaging unit nearly low 275
 - 84.xx Replace [color] imaging unit and [color] cartridge 275
 - 88.2x Replace [color] cartridge 276
 - 88.xx [color] cartridge low 275
 - 88.xx [color] cartridge nearly low 275
 - Adjusting color 263
 - an error has occurred with the USB drive 263
 - Change [paper source] to [custom string] 264
 - Change [paper source] to [custom string] load [orientation] 264
 - Change [paper source] to [custom type name] 263
 - Change [paper source] to [custom type name] load [orientation] 264
 - Change [paper source] to [paper size] [paper type] 264
 - Change [paper source] to [paper size] [paper type] load [orientation] 264
 - Close [tray] door 264
 - Close front or side door 265
 - Disk corrupted 265
 - Disk near full. Securely clearing disk space. 265
 - Disk problem 265
 - Insert Tray [x] 265
 - Install Tray [x] 265
 - Load [src] with [custom string] 266
 - Load [src] with [custom type name] 266
 - Load [src] with [size] 266
 - Load [src] with [type] [size] 266
 - Load Manual Feeder with [custom string] 267
 - Load Manual Feeder with [custom type name] 266
 - Load Manual Feeder with [paper size] 267
 - Load Manual Feeder with [paper type] [paper size] 267
 - Paper changes needed 267
 - Remove paper from standard output bin 267
 - Replace separator pad 267
 - Restore held jobs? 267
 - Some held jobs were not restored 268
 - Supply needed to complete job 268
 - Tray [x] paper size unsupported 268
 - Unsupported disk 268
 - Unsupported USB device, please remove 265
 - printer options troubleshooting
 - cannot detect flash memory card 290
 - cannot detect printer hard disk 290
 - internal print server 290
 - Internal Solutions Port 290
 - memory card 291
 - option does not work 289
 - paper tray problems 289
 - USB/parallel interface card 291
 - printer problems, solving basic 263
 - printer software, installing (Windows) 61
 - printhead lenses
 - cleaning 235
 - printing
 - black-and-white 96
 - canceling, from the printer control panel 103
 - directory list 103
 - font sample list 102
 - from a mobile device 97
 - from flash drive 97
 - from Macintosh 96
 - from Windows 96
 - max speed and max yield 103
 - menu settings page 61
 - network setup page 61
 - printing a directory list 103
 - printing a document 96
 - printing a font sample list 102
 - printing a menu settings page 61
 - printing a network setup page 61
 - printing confidential and other held jobs
 - from a Macintosh computer 102
 - from Windows 102
 - printing from a flash drive 97
 - printing from a mobile device 97
 - printing in black and white 96
 - publications
 - where to find 17
- ## Q
- Quality menu 219
 - Quiet Mode
 - print quality troubleshooting 293
- ## R
- recycled paper
 - using 75, 91
 - recycling
 - Lexmark packaging 80
 - Lexmark products 79
 - toner cartridges 80
 - reducing a copy 109
 - reducing printer noise 76
 - Remote Operator Panel
 - setting up 33
 - Remove paper from standard output bin 267
 - removing printer hard disk 45
 - repeat print jobs 101
 - printing from a Macintosh computer 102
 - printing from Windows 102
 - Replace separator pad 267
 - replacing a toner cartridge 244
 - replacing an imaging unit 241
 - replacing supplies
 - imaging unit 241
 - toner cartridge 244
 - waste toner bottle 246

- replacing the waste toner bottle 246
 - reports
 - viewing 250
 - Reports menu 158
 - reserve print jobs 101
 - printing from a Macintosh computer 102
 - printing from Windows 102
 - resolution, fax
 - changing 131
 - Restore held jobs? 267
 - restoring factory default settings 251
- S**
- safety information 15, 16
 - saving paper 111
 - Scan Center features 143
 - scan screen
 - options 144
 - scan to computer
 - advanced options, setting 145
 - options 144, 145
 - original size 144
 - paper orientation, setting 145
 - Scan to Network
 - setting up 32
 - scan troubleshooting
 - cannot scan from a computer 284
 - partial document or photo scans 283
 - scan was not successful 282
 - scanner unit does not close 280
 - scanning takes too long or freezes the computer 282
 - ScanBack Utility
 - using 143
 - scanner
 - functions 21
 - scanner glass
 - cleaning 233
 - using 22
 - scanner glass (flatbed)
 - copying using 106
 - scanning
 - from a flash drive 143
 - quick copy 105
 - to a computer 142
 - to an FTP address 138
 - to an FTP, using address book 139
 - using the Automatic Document Feeder (ADF) 22
 - using the scanner glass 22
 - scanning to a computer 142
 - scanning to a flash drive 143
 - scanning to an FTP address
 - creating shortcuts using the computer 137
 - using shortcut numbers 138
 - using the address book 139
 - using the touch screen 138
 - Security Audit Log menu 176
 - selecting paper 91
 - sending a fax 129
 - sending a fax using shortcuts 130
 - sending a fax using the touch screen 129
 - sending fax
 - using shortcuts 130
 - using the address book 130
 - sending fax at a scheduled time 131
 - sending fax using the address book 130
 - Serial [x] menu 169
 - serial printing
 - setting up 72
 - Set Date/Time menu 177
 - setting
 - TCP/IP address 162
 - setting the fax number or station number 127
 - setting the outgoing fax name or station name 127
 - setting the paper size 81
 - setting the paper type 81
 - setting the Universal paper size 81
 - setting up e-mail alerts
 - using the Embedded Web Server 250
 - setting up fax and e-mail functions 284
 - setting up serial printing 72
 - setting up the printer
 - on an Ethernet network (Macintosh only) 68
 - on an Ethernet network (Windows only) 68
 - Settings menu 215
 - shadow images appear on prints 299
 - shipping the printer 248
 - shortcuts, creating
 - e-mail 117
 - fax destination 128, 129
 - FTP address 138
 - FTP destination 137
 - showing icons on the home screen 30
 - Sleep Mode
 - adjusting 77
 - SMTP Setup menu 171
 - Some held jobs were not restored 268
 - standard exit bin
 - lighting, setting 79
 - Standard Network menu 160
 - standard tray
 - loading 82
 - Standard USB menu 165
 - statement of volatility 230
 - status of supplies
 - checking 239
 - storing
 - paper 92
 - supplies 238
 - storing print jobs 101
 - streaked horizontal lines appear on prints 301
 - subject and message information
 - adding to e-mail 119
 - Substitute Size menu 153
 - supplies
 - checking status 239
 - checking, from printer control panel 239
 - checking, using the Embedded Web Server 239
 - conserving 75
 - storing 238
 - using recycled paper 75
 - Supplies menu 147
 - supplies, ordering
 - ADF pick roll 241
 - ADF separator roll 241
 - fuser 240
 - imaging units 240
 - toner cartridges 239
 - transfer module 240
 - waste toner bottle 240
 - Supply needed to complete job 268
 - supported flash drives 98
 - supported paper sizes 93

system board
 accessing 36
 system board cover
 reattaching 36

T

TCP/IP menu 162
 telecommunication
 notices 313, 314, 315, 316
 tips
 card stock 101
 labels, paper 100
 on using envelopes 100
 on using letterhead 99
 on using transparencies 99
 tips on using envelopes 100
 tips on using letterhead 99
 toner cartridge
 replacing 244
 toner cartridges
 ordering 239
 recycling 80
 toner darkness
 adjusting 96
 toner fog or background shading
 appears on the page 302
 touch screen
 buttons 26
 transfer module
 ordering 240
 transparencies
 copying on 106
 loading 99
 loading in multipurpose feeder 86
 tips on using 99
 using 99
 Tray [x] paper size
 unsupported 268
 tray linking
 assigning a custom paper type
 name 89
 tray unlinking
 assigning a custom paper type
 name 89
 trays
 linking 88
 unlinking 88
 troubleshooting
 an application error has
 occurred 288
 cannot open Embedded Web
 Server 306

checking an unresponsive
 printer 263
 checking an unresponsive
 scanner 282
 contacting customer support 307
 FAQ about color printing 303
 fax and e-mail functions are not
 set up 284
 Scan to Network 288
 solving basic printer
 problems 263
 troubleshooting, copy
 copier does not respond 279
 partial document or photo
 copies 281
 poor copy quality 280
 poor scanned image quality 283
 scanner unit does not close 280
 troubleshooting, display
 display is blank 276
 display shows only diamonds 276
 troubleshooting, fax
 caller ID is not shown 284
 can receive but not send
 faxes 287
 can send but not receive
 faxes 286
 cannot send or receive a fax 285
 received fax has poor print
 quality 287
 troubleshooting, paper feed
 message remains after jam is
 cleared 291
 troubleshooting, print
 error reading flash drive 276
 held jobs do not print 277
 incorrect characters print 278
 incorrect margins 293
 jammed pages are not
 reprinted 292
 job prints from wrong tray 278
 job prints on wrong paper 278
 jobs do not print 276
 Large jobs do not collate 279
 multiple-language PDF files do not
 print 276
 paper curl 295
 paper frequently jams 291
 print job takes longer than
 expected 278
 tray linking does not work 278

unexpected page breaks
 occur 279
 troubleshooting, print quality
 blank pages 298
 characters have jagged edges 292
 clipped images 292
 fine horizontal lines 293
 gray background 293
 light colored line, white line, or
 incorrectly colored line appears
 on prints 294
 poor transparency quality 303
 print irregularities 295
 print is too dark 296
 print is too light 297
 repeating defects appear on a
 page 298
 shadow images appear on
 prints 299
 skewed print 300
 solid color pages 300
 streaked horizontal lines appear
 on prints 301
 streaked vertical lines on
 prints 301
 toner fog or background shading
 on the page 302
 toner rubs off 302
 toner specks 302
 uneven print density 303
 troubleshooting, printer options
 cannot detect flash memory
 card 290
 cannot detect printer hard
 disk 290
 internal print server 290
 Internal Solutions Port 290
 memory card 291
 option does not work 289
 paper tray problems 289
 USB/parallel interface card 291
 troubleshooting, scan
 cannot scan from a computer 284
 partial document or photo
 scans 283
 scan was not successful 282
 scanner unit does not close 280
 scanning takes too long or freezes
 the computer 282

U

- understanding the home screen
- buttons and icons 25
- uneven print density 303
- Universal Paper Size
 - setting 81
- Universal Setup menu 158
- unlinking trays 88
- Unsupported USB device, please remove 265
- updating options in printer driver 62
- USB port 60
- USB/parallel interface card
 - troubleshooting 291
- using Eco-Mode 76
- using Hibernate Mode 78
- using max speed and max yield 103
- using Quiet Mode 76
- using recycled paper 75
- using shortcuts
 - sending fax 130
- using the address book 118
 - sending fax 130
- using the Embedded Web Server 249
- using the ScanBack Utility 143
- using the touch-screen buttons 26
- Utilities menu 222

V

- verify print jobs 101
 - printing from a Macintosh computer 102
 - printing from Windows 102
- viewing
 - reports 250
- viewing a fax log 132
- virtual display
 - checking, using Embedded Web Server 249
- volatile memory 230
 - erasing 230
- volatility
 - statement of 230

W

- waste toner bottle
 - ordering 240
 - replacing 246
- wiping the printer hard disk 231

- Wireless menu 164
- wireless network
 - configuration information 63
 - installation, using Macintosh 66
 - installation, using Windows 64
- wireless network setup
 - in Windows 64
- wireless printer setup
 - in Macintosh 66
- WS-Scan
 - about 33

X

- XPS menu 223

Free Manuals Download Website

<http://myh66.com>

<http://usermanuals.us>

<http://www.somanuals.com>

<http://www.4manuals.cc>

<http://www.manual-lib.com>

<http://www.404manual.com>

<http://www.luxmanual.com>

<http://aubethermostatmanual.com>

Golf course search by state

<http://golfingnear.com>

Email search by domain

<http://emailbydomain.com>

Auto manuals search

<http://auto.somanuals.com>

TV manuals search

<http://tv.somanuals.com>