



Disassembly of Waste Electrical and Electronic Equipment (WEEE) Manual

EU Waste Electronic and Electrical Equipment Directive require producers to provide information of the different electronic and electrical materials and components found in their products at its end-of-life, and disassembly references to treatment and recycling facilities.

The disassembly information for this product has been prepared for use by a recognized treatment or recycling facility and is not intended to be used by others.

1. Product information
2. Materials and components list for selective treatment
3. Disassembly tools
4. Disassembly references

The following information is intended only for the use of treatment and recycling facilities.

All disassembly instructions should be performed with the power switch in the OFF position. Disconnect the power cord from the wall outlet and from the printer before continuing. If there are any other devices attached to the printer, then turn them off as well, and unplug any cables going into the printer.

1. Product information

Model name(s)—Indicate all model name(s) within the product family.

| Model name |
|---|
| MX710 series – Lexmark MX710de (Lexmark XM5163), Lexmark MX710de3, Lexmark MX710dhe, Lexmark MX711de (Lexmark XM5170), Lexmark MX711de3, Lexmark MX711dhe, Lexmark MX711dthe |
| MX810 series – Lexmark MX810de (Lexmark XM7155), Lexmark MX810dte (Lexmark XM7155x), Lexmark MX810dfe, Lexmark MX810dme, Lexmark MX810dxe, Lexmark MX810dpe, Lexmark MX810dtme, Lexmark MX810dtfe, Lexmark MX810dxme, Lexmark MX810dxfe, Lexmark MX810dxpe, Lexmark MX810dtpe Lexmark MX811de (Lexmark XM7163), Lexmark MX811dte (Lexmark XM7163x), Lexmark MX811dfe, Lexmark MX811dme, Lexmark MX811dxe, Lexmark MX811dpe, Lexmark MX811dtme, Lexmark MX811dtfe, Lexmark MX811dxme, Lexmark MX811dxfe, Lexmark MX811dxpe, Lexmark MX811dtpe Lexmark MX812de (Lexmark XM7170), Lexmark MX812dpe, Lexmark MX812dte (Lexmark XM7170x), Lexmark MX812dfe, Lexmark MX812dme, Lexmark MX812dxe, Lexmark MX812dtme, Lexmark MX812dtfe, Lexmark MX812dxme, Lexmark MX812dxfe, Lexmark MX812dxpe, Lexmark MX812dtpe |

* Add rows as needed

2. Materials and components list for selective treatment

| Items | Quantity | Notes |
|---|----------|-------|
| Polychlorinated biphenyls (PCB) containing capacitors | 0 | N/A |

| | | |
|---|--|--|
| Mercury containing components, such as switches or backlighting lamps | 0 | N/A |
| Batteries | 1 | Lithium Manganese Dioxide coin cell located on the system controller card |
| Printed circuit boards greater than 10 cm ² | 11 | – For MX710de, Lexmark MX710de3, and MX711dthe (locations illustrated in 4.2) 10 for MX710de and MX711dhe 9 for MX711de, Lexmark MX711de3 |
| | 25 | – For MX812dtpe (locations illustrated in 4.2) 24 for MX810/811/812 dpe, dxpe 23 for MX810/811/812dtme, MX810/811/812dxme 22 for MX810/811/812dte, dme, dtfe, dxfe 21 for MX810/811/812de, dfe, dxfe |
| Toner cartridges, liquid and pasty, as well as colour toner | 1 | Located inside front cover |
| Plastic containing brominated flame retardants | 4 Fans; 46 Sensors; 8 Fuser parts | Fan(s) and Sensors (locations illustrated in 4.2) Plastic parts located in the fuser assembly marked with recycle code that includes "FR17" or "FR16" |
| Asbestos waste and components which contain asbestos | 0 | N/A |
| Cathode ray tubes | 0 | N/A |
| Chlorofluorocarbons (CFC), Hydrochlorofluorocarbons (HCFC) or Hydrofluorocarbons (HFC), Hydrocarbons (HC) | 0 | N/A |
| Gas discharge lamps | 0 | N/A |
| Liquid Crystal Display (LCD) greater than 100 cm ² and those back-lighted with Gas discharge lamps | 1 | LCD located inside OP panel |
| External electrical cables | 1 | Power cord located on the back lower left quadrant |
| Components containing refractory fibres | 0 | N/A |
| Components containing radioactive substances | 0 | N/A |
| Electrolyte capacitors containing substances of concern ¹ | 10 | Capacitor(s) located on Power Supply (locations illustrated in 4.2) |
| ¹ With (height > 25 mm, diameter > 25 mm or proportionately similar volume) | | |

3. Disassembly tools

| Item |
|--|
| #2 Phillips screwdriver, magnetic |
| Wire cutter |
| E-clip puller or small flat-head screwdriver |
| Standard slotted head screwdriver |

4. Disassembly references

4.1. Removal procedure(s)



MX710, MX810 series WEEE removal

WEEE materials and components removal procedures are available upon request.

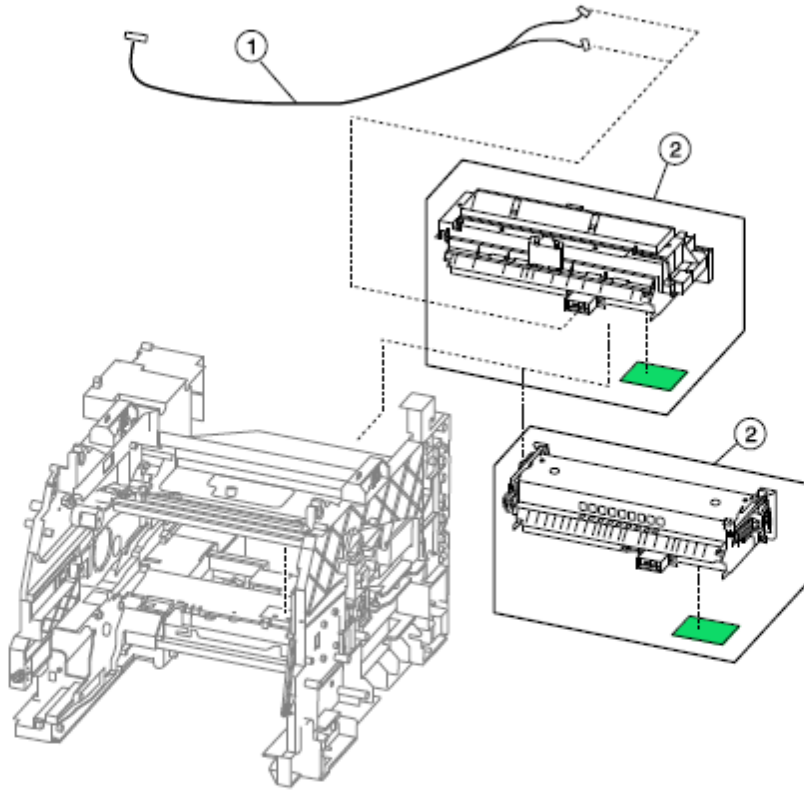
Contact: recycling@lexmark.com

4.2. Graphical illustration of material's and component's location

See next page

MX710, MX810 Series Location

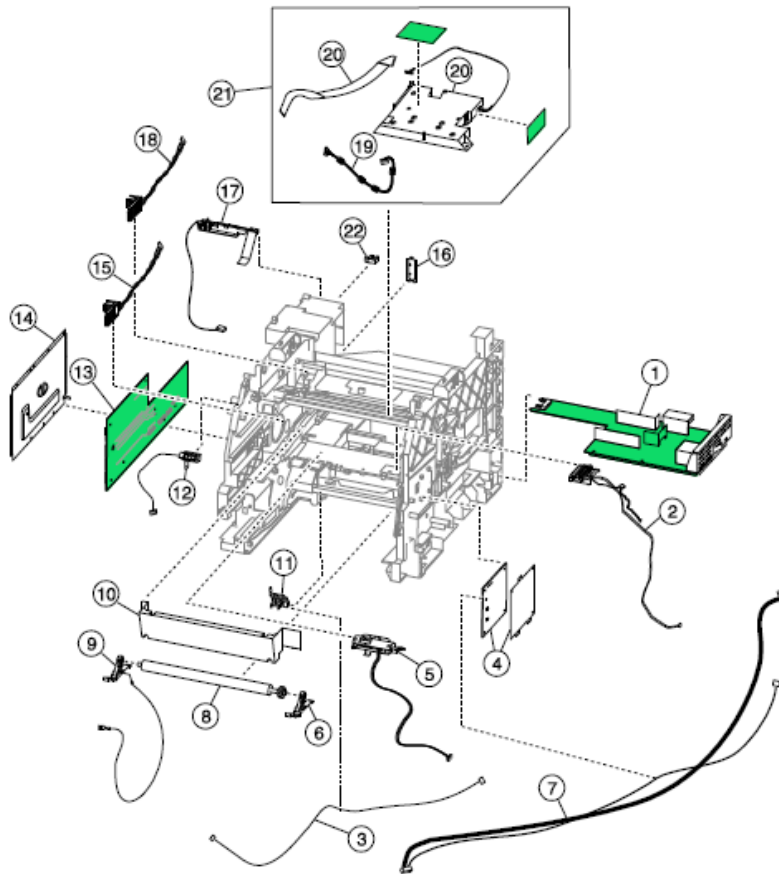
Fusers



| Index | Description |
|-------|-------------------|
| 1 | Fuser data cable) |
| 2 | Fusers |

MX710, MX810 Series Location

Electronics

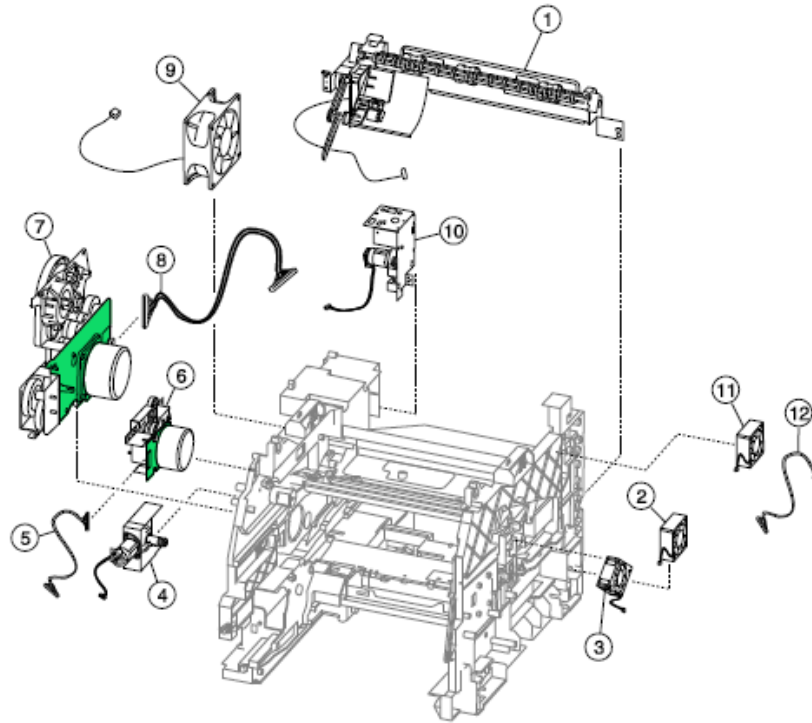


| Index | Description |
|-------|--|
| 1 | LVPS (universal) |
| 2 | Toner leve / imaging unit high voltage contact |
| 3 | Input sensor cable |
| 4 | HVPS |
| 5 | Sensor (toner density)Includes shutter and cable |
| 6 | Transfer roller right arm |
| 7 | HVPS/toner cartridge fan cable |
| 8 | Transfer roller |
| 9 | Transfer roller left arm with cable |
| 10 | Printhead access cover |
| 11 | Sensor (input) |
| 12 | Sensor (control panel interlock)Includes bracket and cable |
| 13 | Controller board (2.4" display printers only) |
| 13 | Controller board (4.3" tilting display printers only) |

| Index | Description |
|-------|---|
| 13 | Controller board (7" tilting display printers only) |
| 14 | Controller board access shield |
| 15 | Toner cartridge smart chip contact with cable |
| 16 | Option card cover plate |
| 17 | Sensor (standard bin full) with output bin guide |
| 18 | Imaging unit smart chip contact with cable |
| 19 | Printhead power cable |
| 20 | Printhead video cable |
| 21 | Laser printhead (quad diode) (belt fuser printers only)Includes data and power cables |
| 21 | Laser printhead (dual diode) (hot roller fuser printers only)Includes data and power cables |
| 22 | Interrupt sensor |
| | |
| | |

MX710, MX810 Series Location

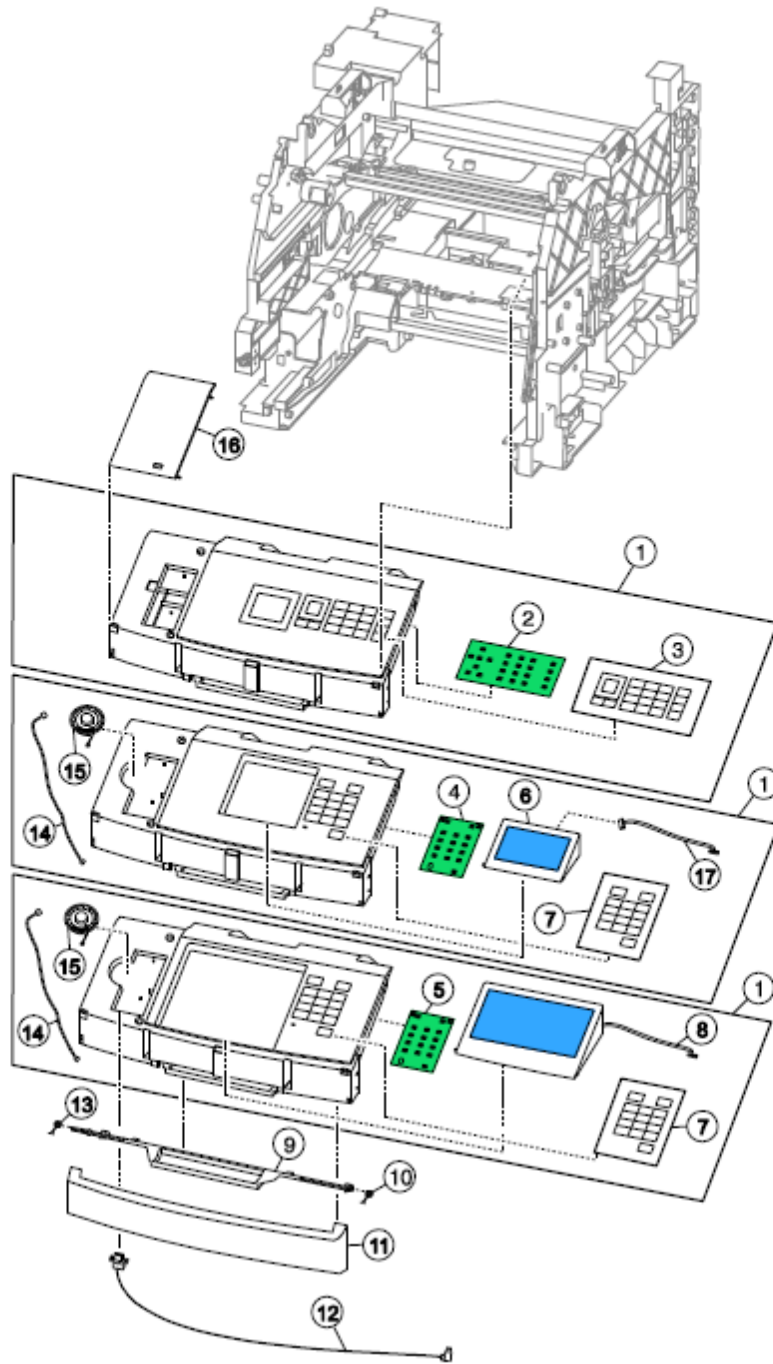
Drive Motors



| Index | Description |
|-------|--|
| 1 | Duplex motor with cable |
| 2 | Duplex cooling fan |
| 3 | Cartridge cooling fan |
| 4 | Toner add motor with cable |
| 5 | Fuser drive motor cable |
| 6 | Fuser drive motor (belt fuser printers only) |
| 6 | Fuser drive motor (hot roll fuser printers only) |
| 7 | Main drive motor |
| 8 | Main motor cable |
| 9 | Main cooling fan with cable |
| 10 | Upper redrive motor with cable |
| 11 | Fuser cooling fan (hot roll fuser printers only) |
| 12 | Fuser cooling fan cable (hot roll fuser printers only) |

**MX710, MX810 Series
Location**

Control Panel

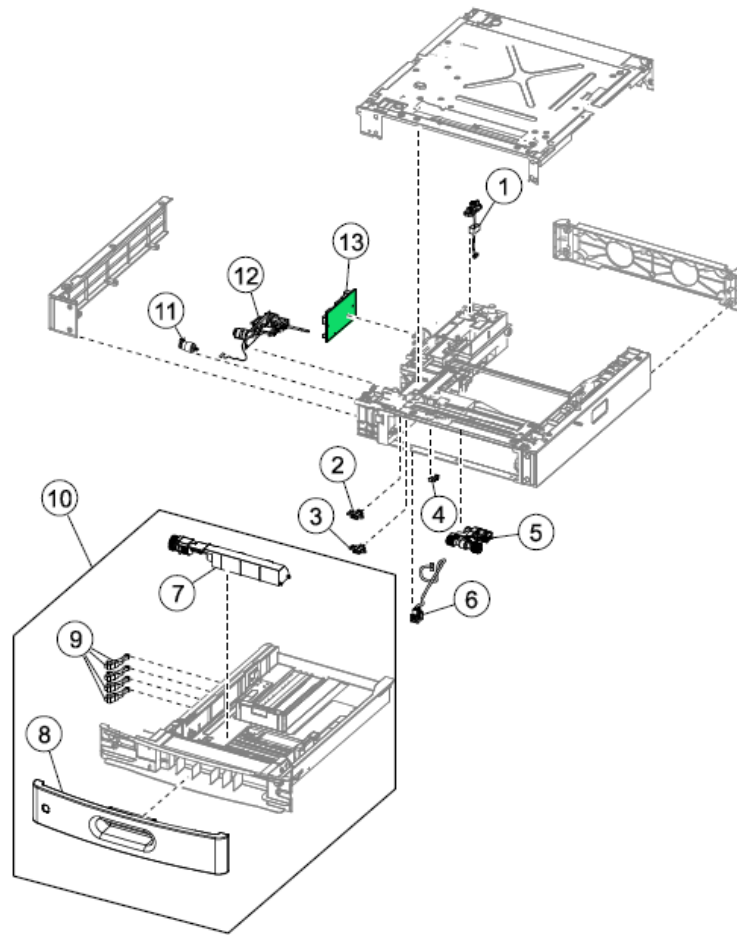


MX710, MX810 Series Location

| Index | Description |
|-------|--|
| 1 | 2.4" LCD control panel |
| 1 | 4.3" touch screen control panel |
| 1 | 7" touch screen control panel |
| 2 | Control panel board (2.4" display only) |
| 3 | Control panel buttons (2.4" display only) |
| 4 | Control panel board (4.3" tilting display only) |
| 5 | Control panel board (7" tilting display only) |
| 6 | 4.3" tilting display |
| 7 | Control panel buttons (4.3" and 7" tilting displays only) |
| 8 | 7" tilting display |
| 9 | Control panel latch |
| 10 | Torsion spring |
| 11 | Control panel front cover |
| 12 | USB cable |
| 13 | Torsion spring |
| 14 | Speaker cable |
| 15 | Control panel speaker |
| 16 | Control panel left bezel |
| 17 | Display to control panel board cable (4.3" tilting display only) |

MX710, MX810 Series Location

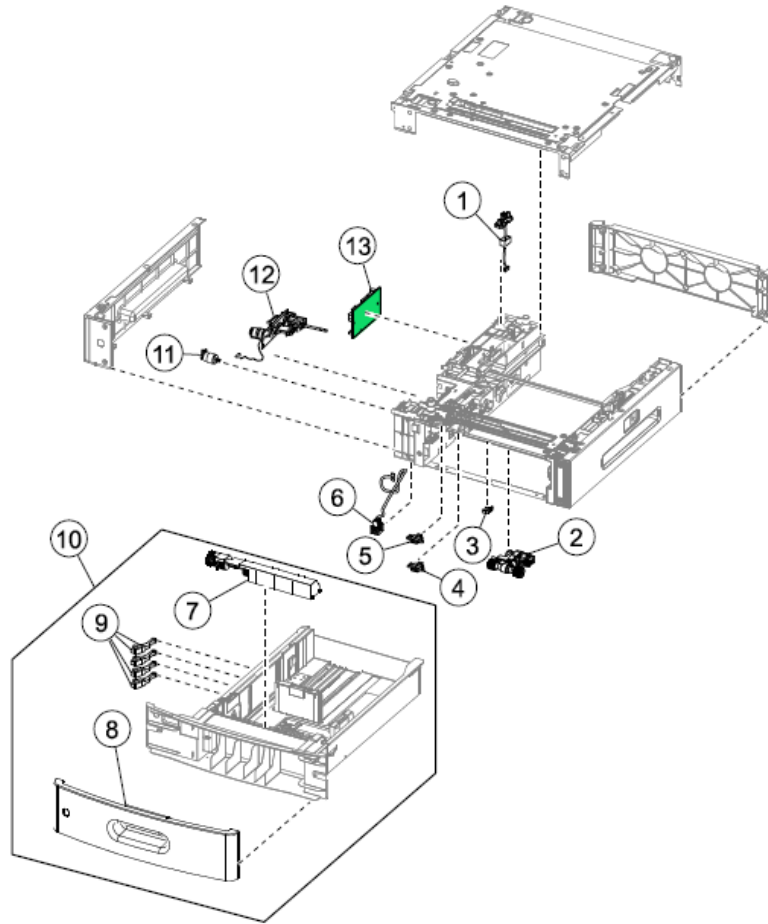
250-sheet Tray Option



| Index | Description |
|-------|---|
| 1 | 250-sheet tray option upper interface cable |
| 2 | Sensor (pass through) |
| 3 | Sensor (pick) |
| 4 | Sensor (pick roller position) |
| 5 | Pick roller |
| 6 | 250-sheet tray option lower interface cable |
| 7 | Separation roller |
| 8 | 250-sheet tray front cover |
| 9 | Media size actuator |
| 10 | 250-sheet tray |
| 11 | 250-sheet tray option transport motor |
| 12 | Media feeder |
| 13 | 250-sheet tray option controller PCBA |

MX710, MX810 Series Location

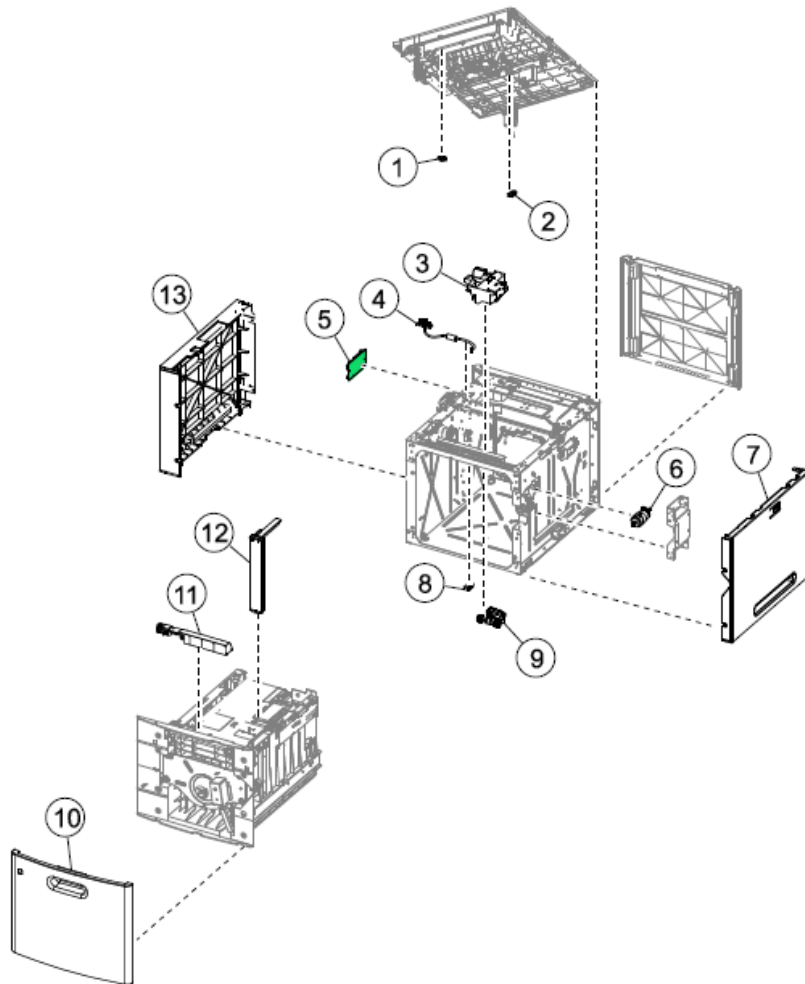
550-sheet Tray Option



| Index | Description |
|-------|---|
| 1 | 550-sheet tray option upper interface cable |
| 2 | Pick roller |
| 3 | Sensor (pick roller position) |
| 4 | Sensor (pick) |
| 5 | Sensor (pass through) |
| 6 | 550-sheet tray option lower interface cable |
| 7 | Separation roller |
| 8 | 550-sheet tray front cover |
| 9 | Media size actuator |
| 10 | 550-sheet tray |
| 11 | 550-sheet tray option transport motor |
| 12 | Media feeder |
| 13 | 550-sheet tray option controller PCBA |

MX710, MX810 Series Location

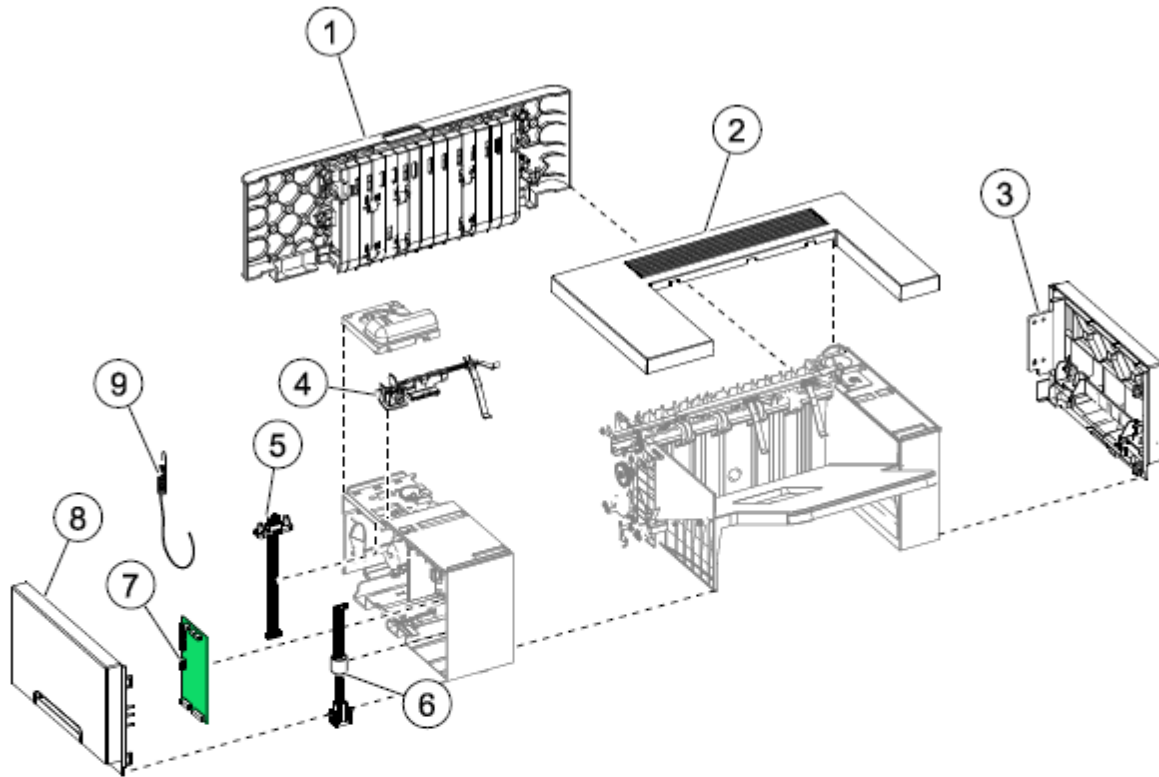
High Capacity Input Tray Option



| Index | Description |
|-------|------------------------------------|
| 1 | Sensor (HCIT pick) with cable |
| 2 | Sensor (HCIT media low) with flag |
| 3 | HCIT option media feeder |
| 4 | HCIT option interface cable |
| 5 | HCIT option controller PCBA |
| 6 | HCIT option lift drive motor |
| 7 | HCIT option right cover |
| 8 | Sensor (HCIT pick roller position) |
| 9 | Pick roller |
| 10 | HCIT front cover |
| 11 | Separation roller |
| 12 | HCIT media guide |
| 13 | HCIT option left cover |

MX710, MX810 Series Location

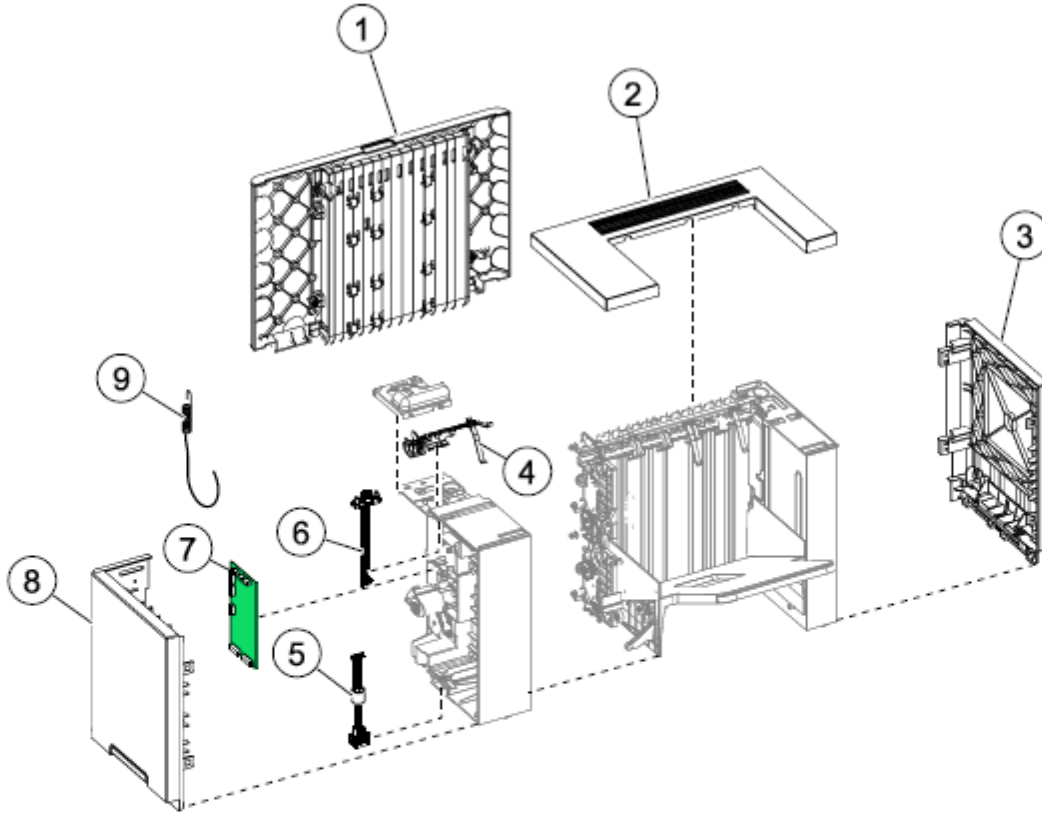
Output Expander Option



| Index | Description |
|-------|-----------------------------------|
| 1 | Output expander rear door |
| 2 | Output expander top cover |
| 3 | Output expander right cover |
| 4 | Sensor (media bin full) with flag |
| 5 | Upper interface cable |
| 6 | Lower interface cable |
| 7 | Output expander controller PCBA |
| 8 | Output expander left cover |
| 9 | Spring with string |
| NS | Actuator flag (media bin full) |

MX710, MX810 Series Location

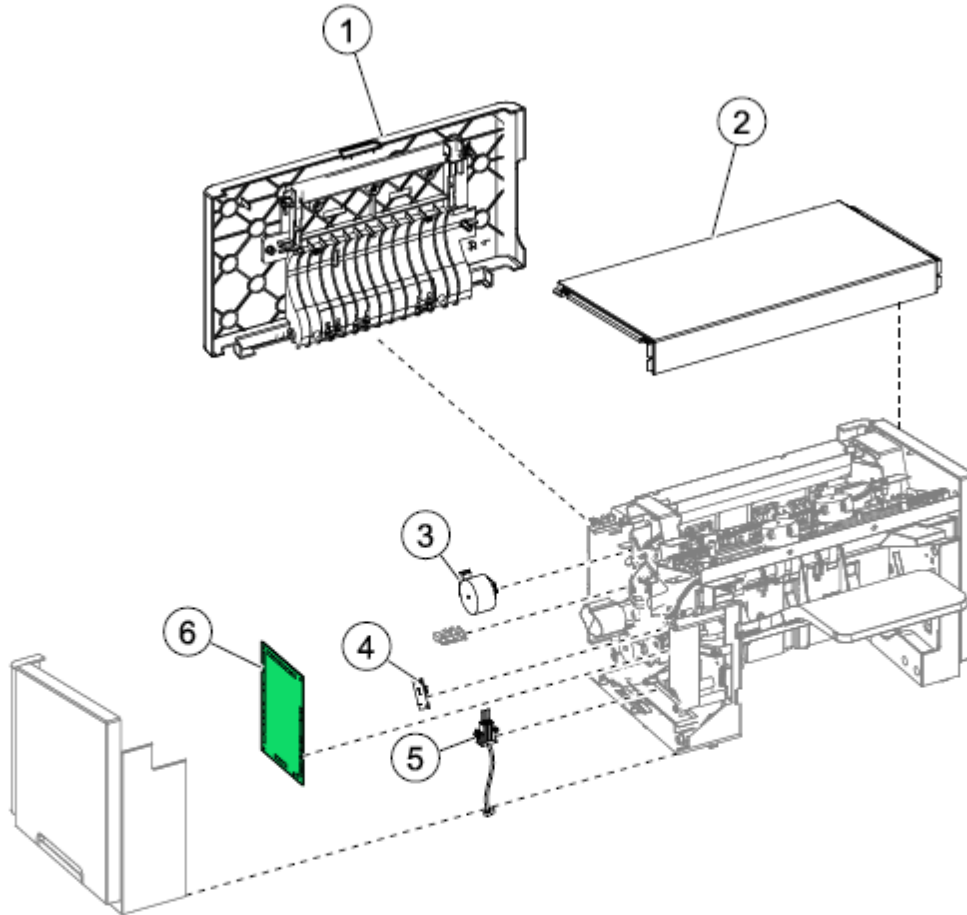
High Capacity Output Expander Option



| Index | Description |
|-------|--|
| 1 | HCOE rear door |
| 2 | HCOE top cover |
| 3 | HCOE right cover |
| 4 | Sensor (HCOE media bin full) with flag |
| 5 | HCOE lower interface cable |
| 6 | HCOE upper interface cable |
| 7 | HCOE controller PCBA |
| 8 | HCOE left cover |
| NS | Actuator flag (media bin full) |

MX710, MX810 Series Location

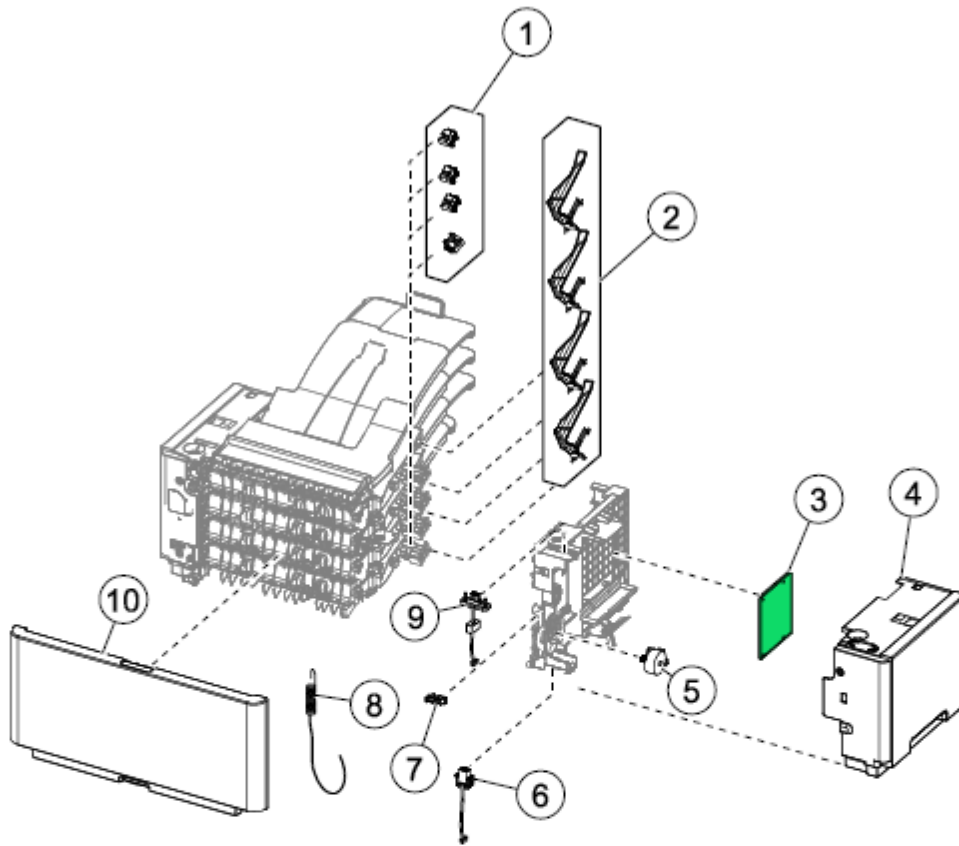
Stapler Finisher Option



| Index | Description |
|-------|-------------------------------|
| 1 | Stapler rear door |
| 2 | Stapler top cover |
| 3 | Stapler paddle drive motor |
| 4 | Sensor (bin full receive) |
| 5 | Stapler lower interface cable |
| 6 | Stapler controller PCBA |

MX710, MX810 Series Location

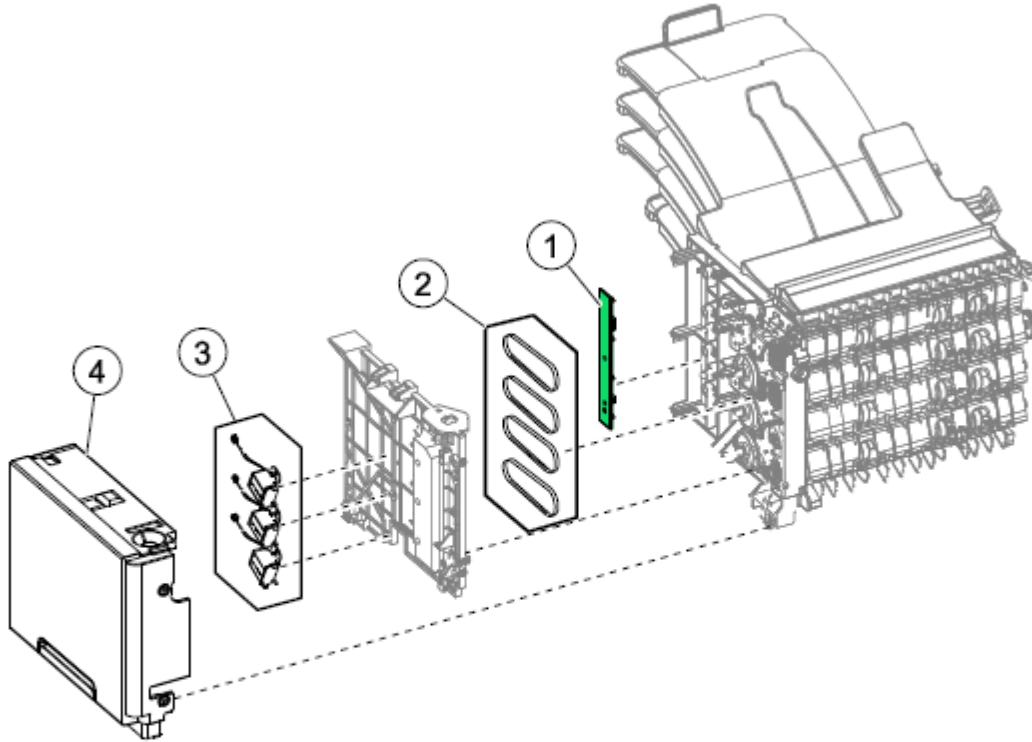
Mailbox Option 1



| Index | Description |
|-------|-------------------------------|
| 1 | Sensor (bin full receive) |
| 2 | Mailbox media bin full flag |
| 3 | Mailbox controller PCBA |
| 4 | Mailbox left cover |
| 5 | Mailbox divert motor |
| 6 | Mailbox lower interface cable |
| 7 | Mailbox sensor (divert motor) |
| 8 | Mailbox spring with string |
| 9 | Mailbox upper interface cable |
| 10 | Mailbox rear door |

MX710, MX810 Series Location

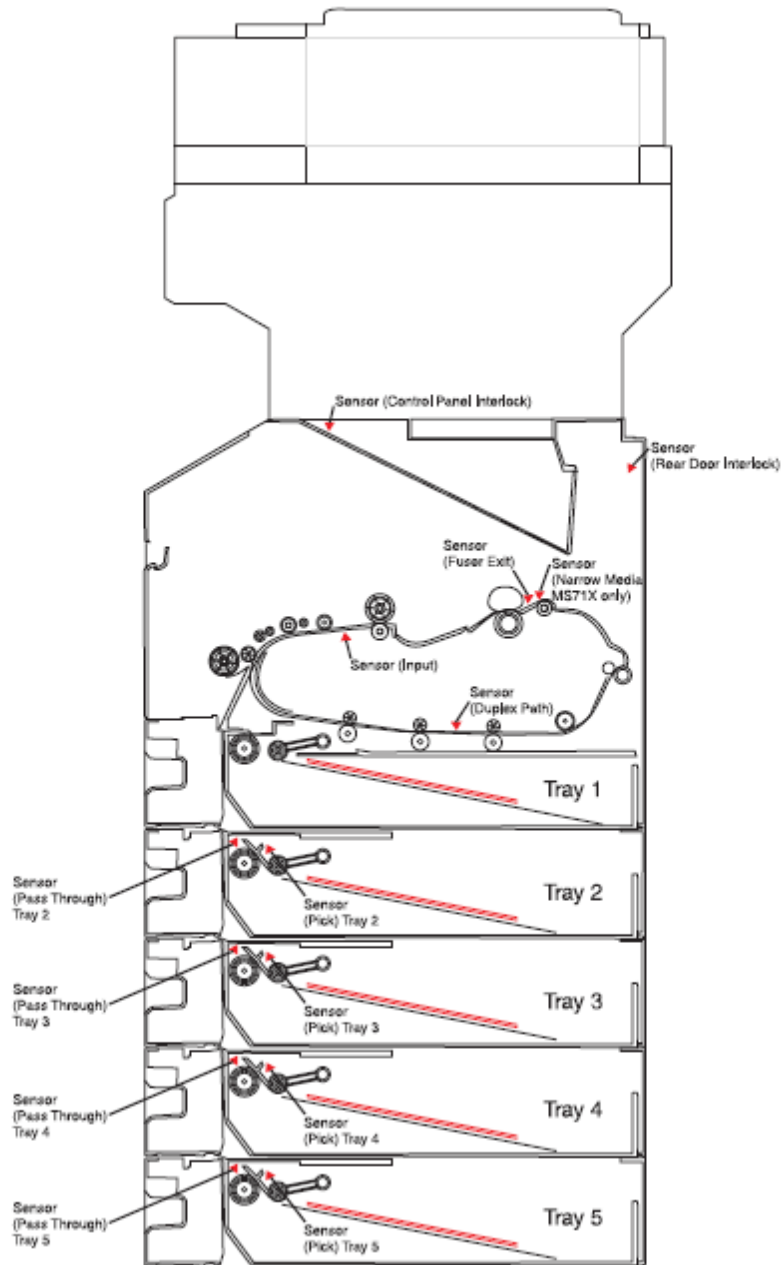
Mailbox Option 2



| Index | Description |
|-------|---------------------------------|
| 1 | Mailbox output bin LED assembly |
| 2 | Mailbox belt |
| 3 | Mailbox solenoid |
| 4 | Mailbox right cover |

MX710, MX810 Series Location

Sensors



Picture does not show all sensors used by the product

Appendix A
Plastic containing brominated flame retardants

| Part Description | Parts Marking | Location |
|---------------------------------|----------------------|------------|
| Guide - Lower Exit | PET-(GF+MD)40FR(17) | FUSER AREA |
| Guide - Upper Exit | PET-(GF+MD)40FR(17) | FUSER AREA |
| Guide - Fuser Lower Entry | PET-(GF+MD)40FR(17) | FUSER AREA |
| Plate - Transfer | PC-CD10 FR(16) | FUSER AREA |
| Base - Fuser Wiper HR | PET-(GF+MD)40 FR(17) | FUSER AREA |
| Wiper - Fuser Non Wick HR | PSSY-GF22 FR(17) | FUSER AREA |
| Guide (Mechanical) - Lower Exit | PA66-GF30 FR(17) | FUSER AREA |
| Guide (Mechanical) - Entry | PET-(GF+MD)40 FR(17) | FUSER AREA |

Free Manuals Download Website

<http://myh66.com>

<http://usermanuals.us>

<http://www.somanuals.com>

<http://www.4manuals.cc>

<http://www.manual-lib.com>

<http://www.404manual.com>

<http://www.luxmanual.com>

<http://aubethermostatmanual.com>

Golf course search by state

<http://golfingnear.com>

Email search by domain

<http://emailbydomain.com>

Auto manuals search

<http://auto.somanuals.com>

TV manuals search

<http://tv.somanuals.com>