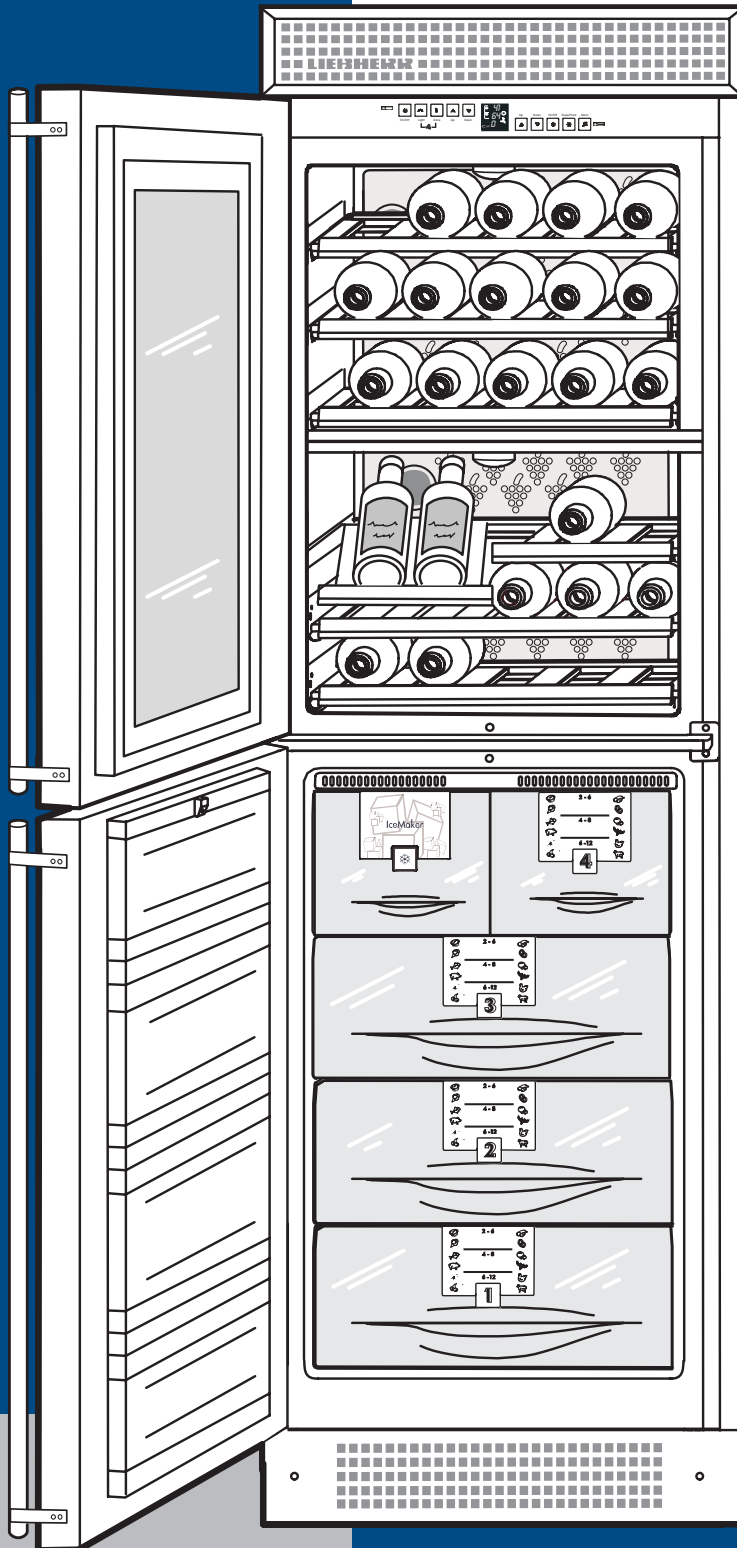


# LIEBHERR



## Installation Instructions

For wine cooler with  
NoFrost freezer compartment and  
Side-By-Side Units  
with IceMaker

## Instructions de montage

Armoire de mise en température des  
vins avec congélateur NoFrost et les  
appareils côte à côte  
avec IceMaker

## Instrucciones de instalación

Armario de acondicionamiento de  
vinos con congelador NoFrost y  
unidades lado a lado  
con IceMaker

WF1051 / EWTN/ 2956  
7082 408-00

# IMPORTANT

---

## PLEASE READ AND FOLLOW THESE INSTRUCTIONS

These instructions contain Warning and Caution statements. This information is important for safe and efficient installation.

Always read and follow all Warning and Caution statements!



### WARNING

States a hazard that may cause serious injury or death if precautions are not followed.



### CAUTION

Signals a situation where minor injury of product damage may occur if you do not follow instructions.

### **IMPORTANT**

*This highlights information that is especially relevant to a problem-free installation.*

Make sure incoming voltage is the same as the unit rating.

To reduce the risk of fire, electric shock, or personal injury, installation work and electrical wiring must be done by a qualified electrician in accordance with all applicable codes and standards, including fire-rated construction.

## TO THE INSTALLER

It is very important that the guidelines and instructions are followed in the manual to ensure proper installation and operation of the unit. The Installation Guidelines section contains important information for making sure the installation is correct. Read and understand all the information in Installation Guidelines, and in this manual before the unit is installed.

# TABLE OF CONTENTS

---

<b>Contents</b>	<b>Page</b>
Installation Guidelines.....	3
Area Requirements.....	3
Electrical Requirement.....	3
Customer's Responsibility .....	3
Blocking For Safety.....	3
Unit Venting .....	3
Planning Information.....	4
Cabinet Opening Dimensions.....	4
Assembling Decorative Panels .....	7
Integrating Cabinetry.....	8
Framed Panels.....	8
Overlay Panels.....	9
Reversing Door Hinges.....	14
Door Opening Angle .....	17
Installation .....	18
Blocking For Safety .....	22
IceMaker.....	23
Water Connection .....	23
Connection to the Water Supply.....	24
Side-By-Side Installation.....	25

# INSTALLATION GUIDELINES

## Area Requirements

Verify the following:

- Floors can support refrigerator's weight plus approximately 1200 pounds (544 kg) of food weight.
- Finished kitchen floor height has to be level. Appliance must be shimmed to the floor level if the floor heights are not equal to make sure air vents are not obstructed.
- Remove anything attached to rear or side walls that can obstruct refrigerator opening.
- Cutout dimensions are accurate.
- Electrical outlet is in correct location.

Do not install this unit next to any other refrigerator or freezer except another Liebherr model. Liebherr models are designed to allow side-by-side installation. They are equipped with a heating system to eliminate condensation when units are installed side by side. Installing this unit next to any other refrigerator or freezer can cause condensation or cause damage to the Liebherr unit.

## Electrical Requirement

If codes require a separate grounding circuit to be used, have a qualified electrician install the circuit.



### WARNING

**Do not ground to a gas pipe. Check with a qualified electrician if you are not sure the appliance is properly grounded. Do not have a fuse in the neutral or grounding circuit.**



### WARNING

#### ELECTRICAL SHOCK HAZARD

- Electrically ground refrigerator.
- Do not use an extension cord.
- Failure to follow these instructions could result in fire or electrical shock.



### WARNING

#### ELECTROCUTION HAZARD

**Electrical Grounding Required. This appliance is equipped with a three-prong (grounding) polarized plug for your protection against possible shock hazards.**

- **DO NOT** remove the round grounding prong from the plug.
- **DO NOT** use a two-prong grounding adapter.
- **DO NOT** use an extension cord to connect power to the unit.

## Customer's Responsibility

A 115 Volt, 60 Hz, 15 Amp (20 Amp for side-by-side installation) fused electrical supply is required. We recommend using a dedicated circuit for this appliance to prevent electrical overload. Follow the National Electrical Code and local codes and ordinances when installing the receptacle.

## Blocking For Safety

The anti-tip brackets must be installed to prevent the unit from tipping after it is installed. Refer to Blocking For Safety.

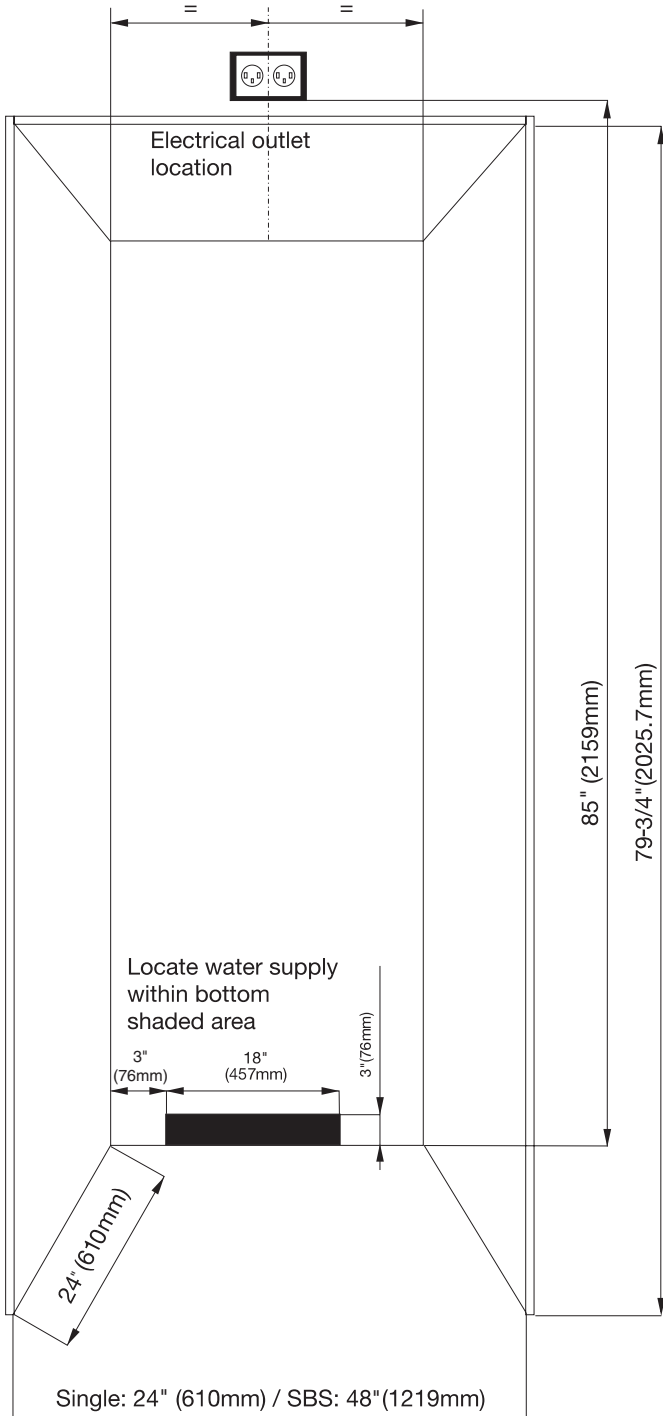
## Unit Venting

DO NOT restrict the air flow. Air flow must be provided for the unit to operate. The factory air vents provide 31 square inches (200 cm<sup>2</sup>) of air flow per unit. If you are replacing the factory air vents with an overlay, the air flow must be the same or greater than the factory air vents.

*A delight in freshness*

# PLANNING INFORMATION

## Cabinet Opening Dimensions - Figure 1



Allow units to open a minimum of 90° to prevent problems removing drawers. With the door opening 90°, you may have to move drawers slightly to clear the door interior.

Refer to the minimum door clearances in the Pre-Installation Specifications chart.

- Allow for a minimum 3-3/4" (95 mm) filler, for corner installations, so the door can open to 90°. If you're using raised panels, consider using a wider filler.

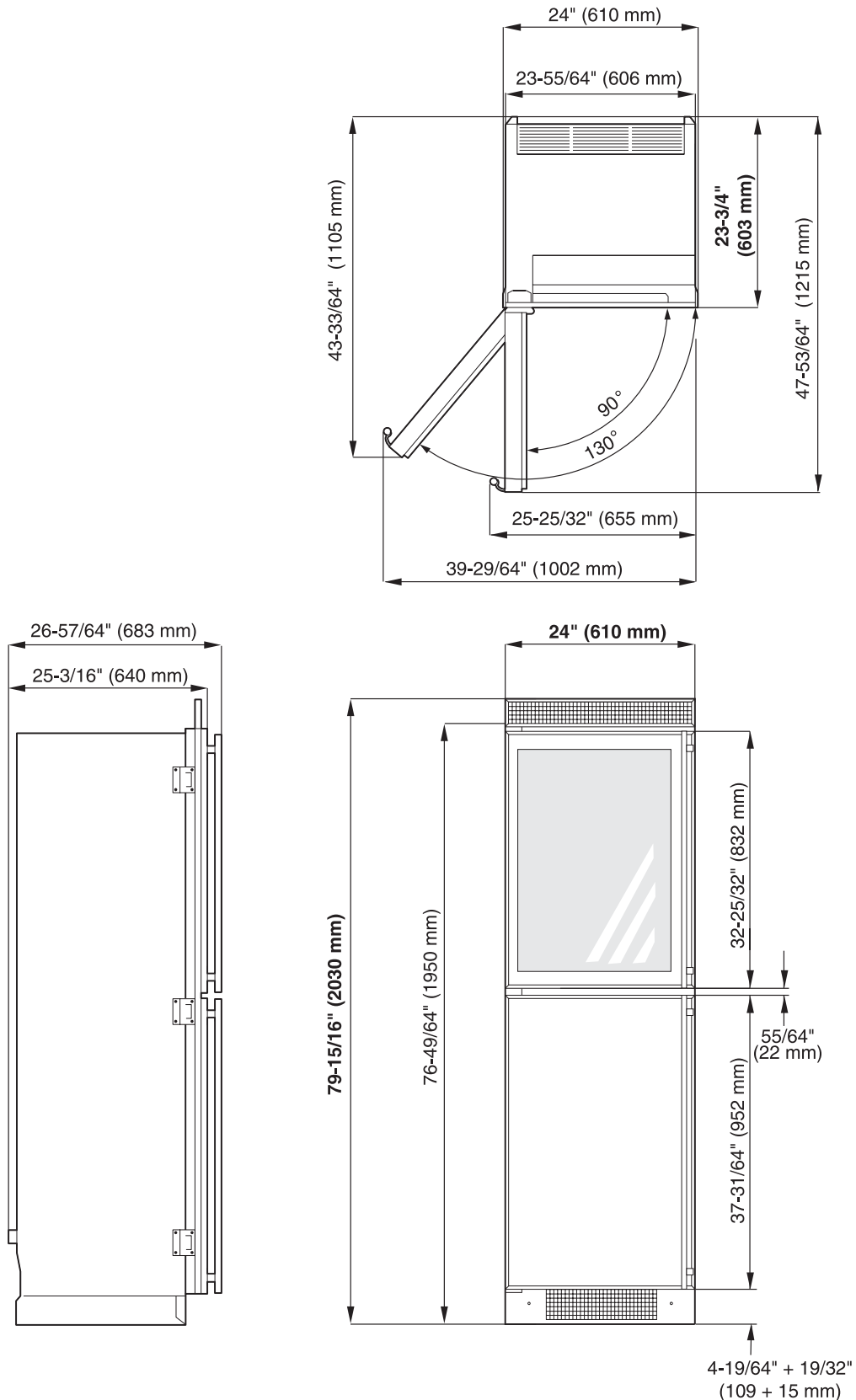
### **IMPORTANT**

Refer to the full scale illustrations at the end of this section for specifics on door openings and filler size alternatives.

**Figure 1**

# PLANNING INFORMATION

**WFI 1051 - Figure 2**



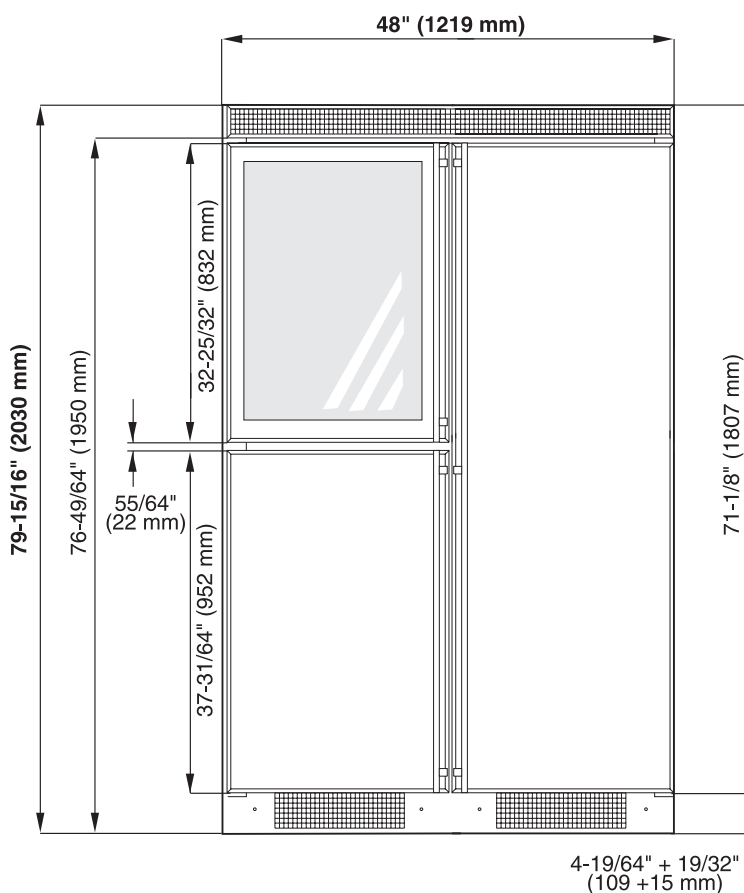
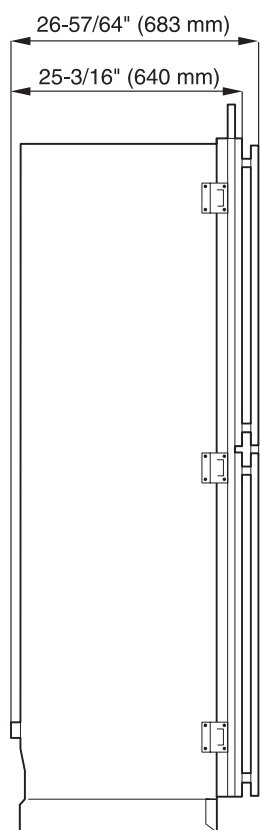
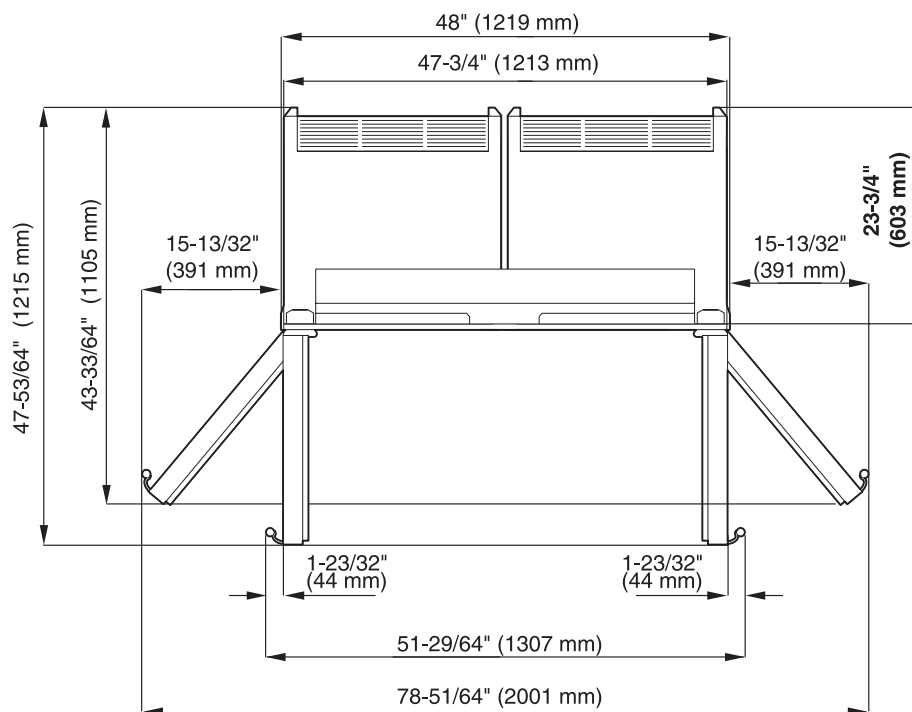
**Figure 2**

*A delight in freshness*

**LIEBHERR**

# PLANNING INFORMATION

## Side-By-Side WFI 1051 - RBI 1400 - Figure 3



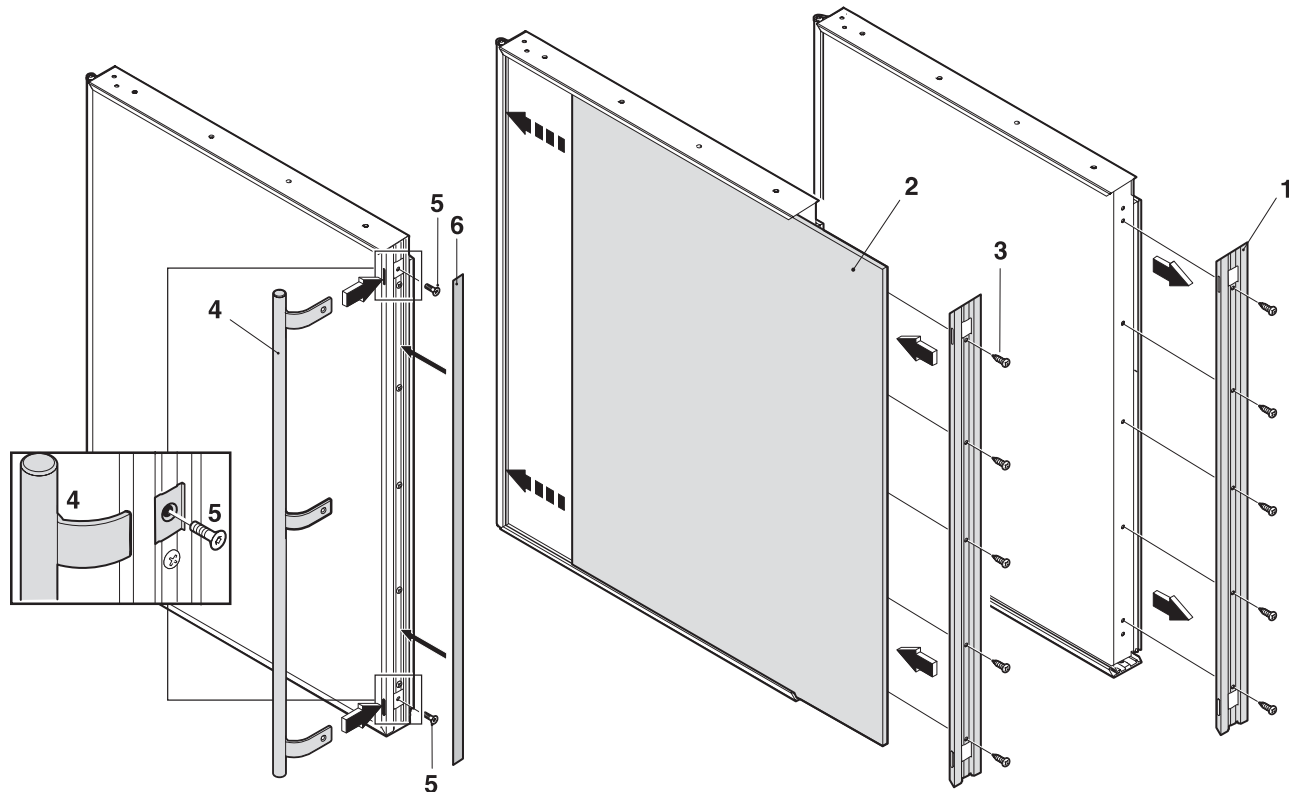


# ASSEMBLING DECORATIVE PANELS

**Figure 4**

Proceed as shown in the illustration:

- (1) Door change frames
- (2) Decorative panel
- (3) Screws for door change frames
- (4) Handle, depending on model
- (5) M4 x 10 screws for handle
- (6) Filler strip



**Figure 4**

*A delight in freshness*

# INTEGRATING CABINETRY

## Framed Panels - Figure 5

If the thickness of the custom panels is less than 1/4" (6.4 mm), they must be backed up with a sheet of shim material to build the total thickness to 1/4" (6.4 mm). If the panel is thicker than 1/4" (6.4 mm), an edge must be routed around the panel to ensure a proper fit.

### IMPORTANT

If you are replacing the factory air vents with an overlay, **DO NOT** restrict the air flow. The air flow must be the same or greater than the factory air vents of 31 square inches (200 cm<sup>2</sup>).

The door handles must be installed before the screw covers are installed. If you fail to install the handles before the screw covers, you can damage the covers. The screw covers are taped to the unit doors during shipping. Use care when removing covers.

The door panel weight must not exceed 25 lb (11,3 kg).

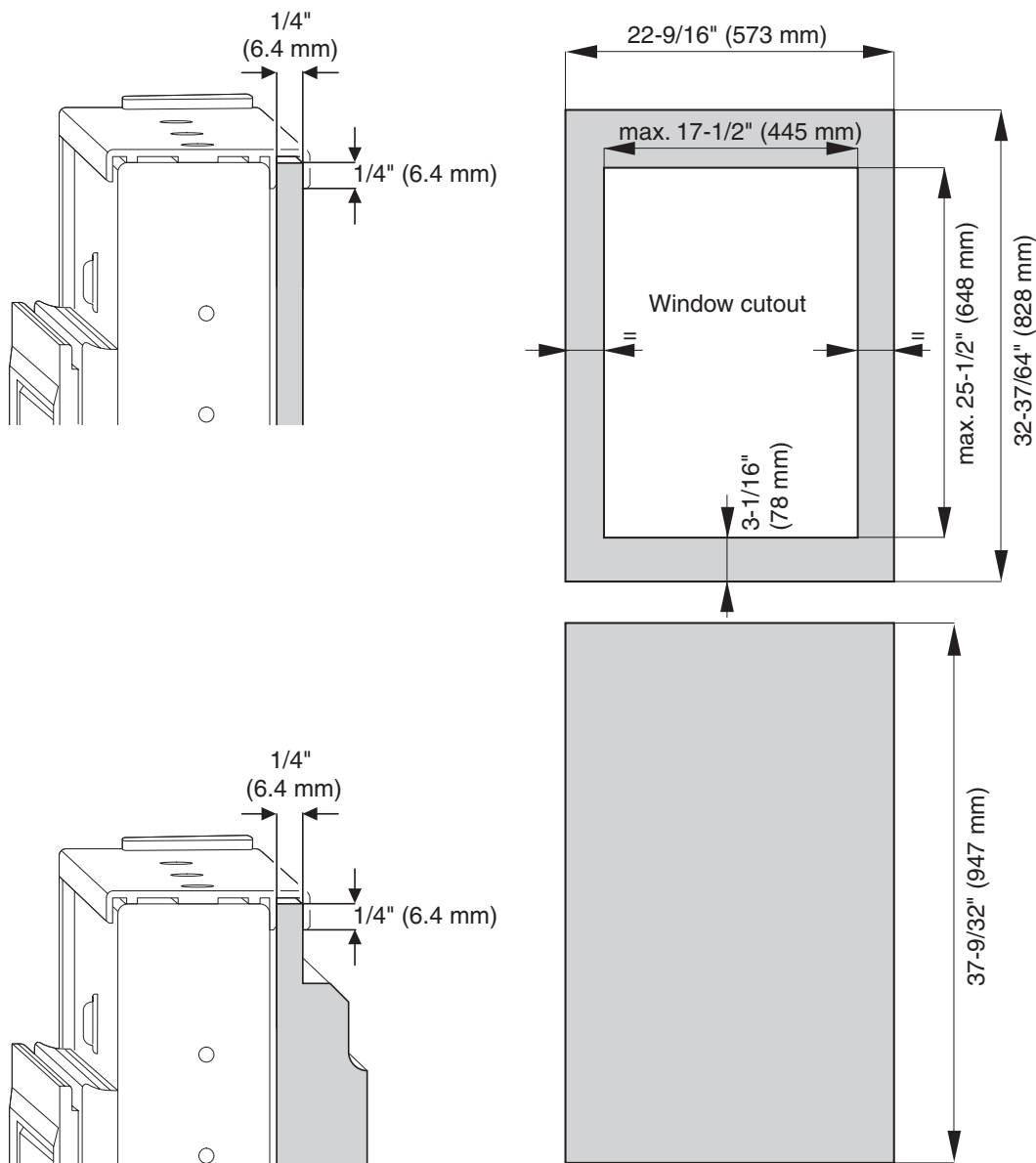


Figure 5

A delight in freshness

**LIEBHERR**

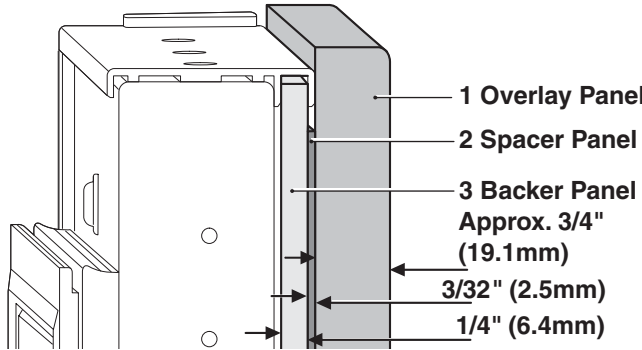
# INTEGRATING CABINETRY

## Overlay Panels - single install - Figure 6

The overlay design line allows decorative panels to cover the door trim for a more seamless appearance that blends with the design of the room. To achieve this look, the most common way is to work

with three panels, the decorative overlay panel, a 3/32" (2.5 mm) spacer panel and a 1/4" (6.4 mm) backer panel.

Depending on your cabinet manufacturer, this could be one panel routed for different dimensions or, more likely, three different panels.



	W	H - Winecooler	H - Freezer
<b>1 Overlay Panel</b>	23-5/16" (592 mm)	33-5/8" (854 mm)	38" (965 mm)
<b>2 Spacer Panel</b>	21-3/4" (553 mm)	31-1/2" (800 mm)	36-1/4" (921 mm)
<b>3 Backer Panel</b>	22-3/4" (576 mm)	32-37/64" (828 mm)	37-9/32" (947 mm)
<b>Window cutout</b>	max 17-1/2" (445 mm)	max 25-1/2" (648 mm)	

### IMPORTANT

If you are replacing the factory air vents with an overlay, DO NOT restrict the air flow. The air flow must be the same or greater than the factory air vents of 31 square inches (200 cm<sup>2</sup>).

The door handles must be installed on the overlay panels before the screw covers are installed. If you fail to install the handles on the overlay panels before the screw covers, you can damage the covers. The screw covers are taped to the unit doors during shipping. Use care when removing covers.

The door panel weight must not exceed 25 lb (11,3 kg).

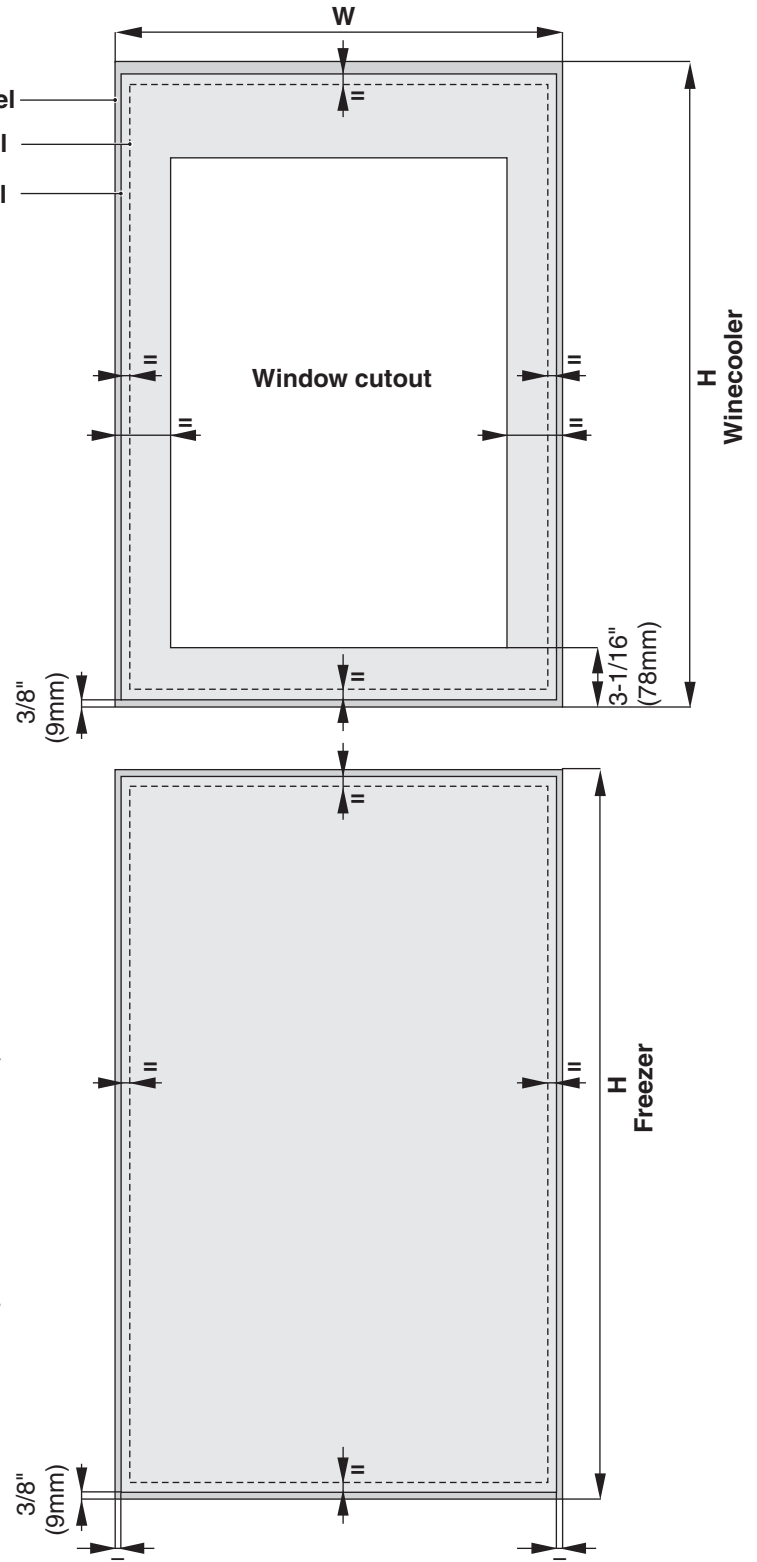


Figure 6

A delight in freshness

**LIEBHERR**

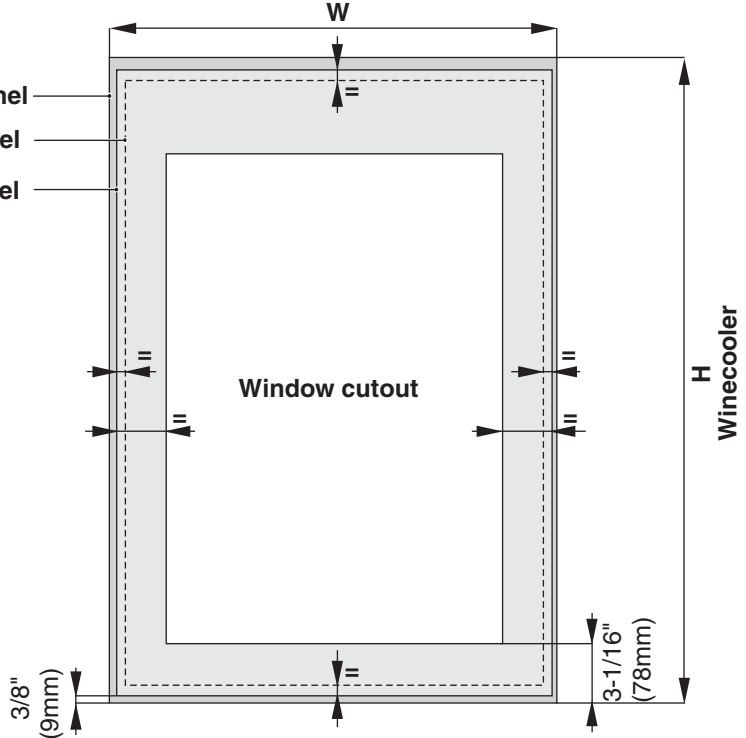
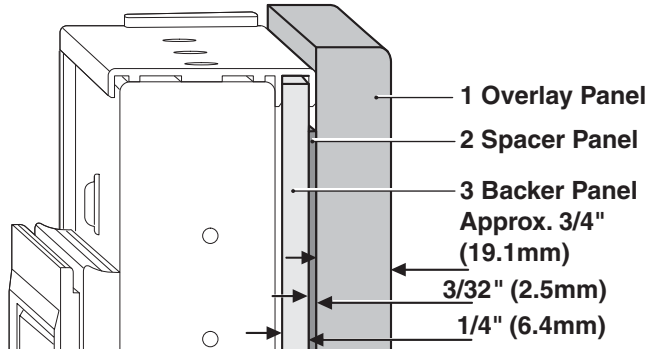
# INTEGRATING CABINETRY

## Overlay Panels - side by side install

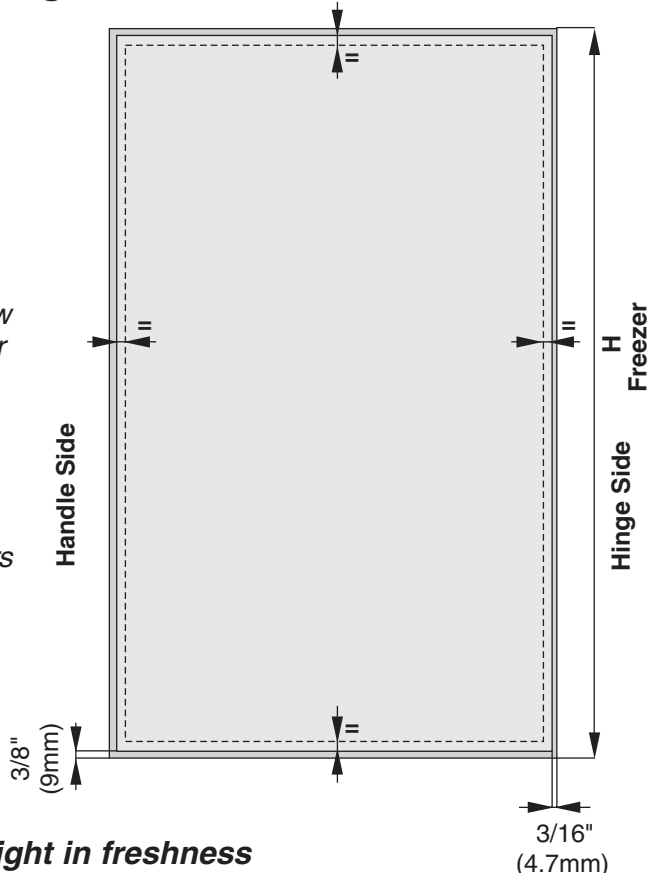
The overlay design line allows decorative panels to cover the door trim for a more seamless appearance that blends with the design of the room. To achieve this look, the most common way is to work

with three panels, the decorative overlay panel, a 3/32" (2.5 mm) spacer panel and a 1/4" (6.4 mm) backer panel.

Depending on your cabinet manufacturer, this could be one panel routed for different dimensions or, more likely, three different panels.



	W	H - Winecooler	H - Freezer
<b>1 Overlay Panel</b>	23-5/16" (592 mm)	33-5/8" (854 mm)	38" (965 mm)
<b>2 Spacer Panel</b>	21-3/4" (553 mm)	31-1/2" (800 mm)	36-1/4" (921 mm)
<b>3 Backer Panel</b>	22-3/4" (578 mm)	32-37/64" (828 mm)	37-9/32" (947 mm)
<b>Window cutout</b>	max 17-1/2" (445 mm)	max 25-1/2" (648 mm)	



### IMPORTANT

If you are replacing the factory air vents with an overlay, **DO NOT** restrict the air flow. The air flow must be the same or greater than the factory air vents of 31 square inches (200 cm<sup>2</sup>).

The door handles must be installed on the overlay panels before the screw covers are installed. If you fail to install the handles on the overlay panels before the screw covers, you can damage the covers. The screw covers are taped to the unit doors during shipping. Use care when removing covers.

The door panel weight must not exceed 25 lb (11,3 kg).

*A delight in freshness*

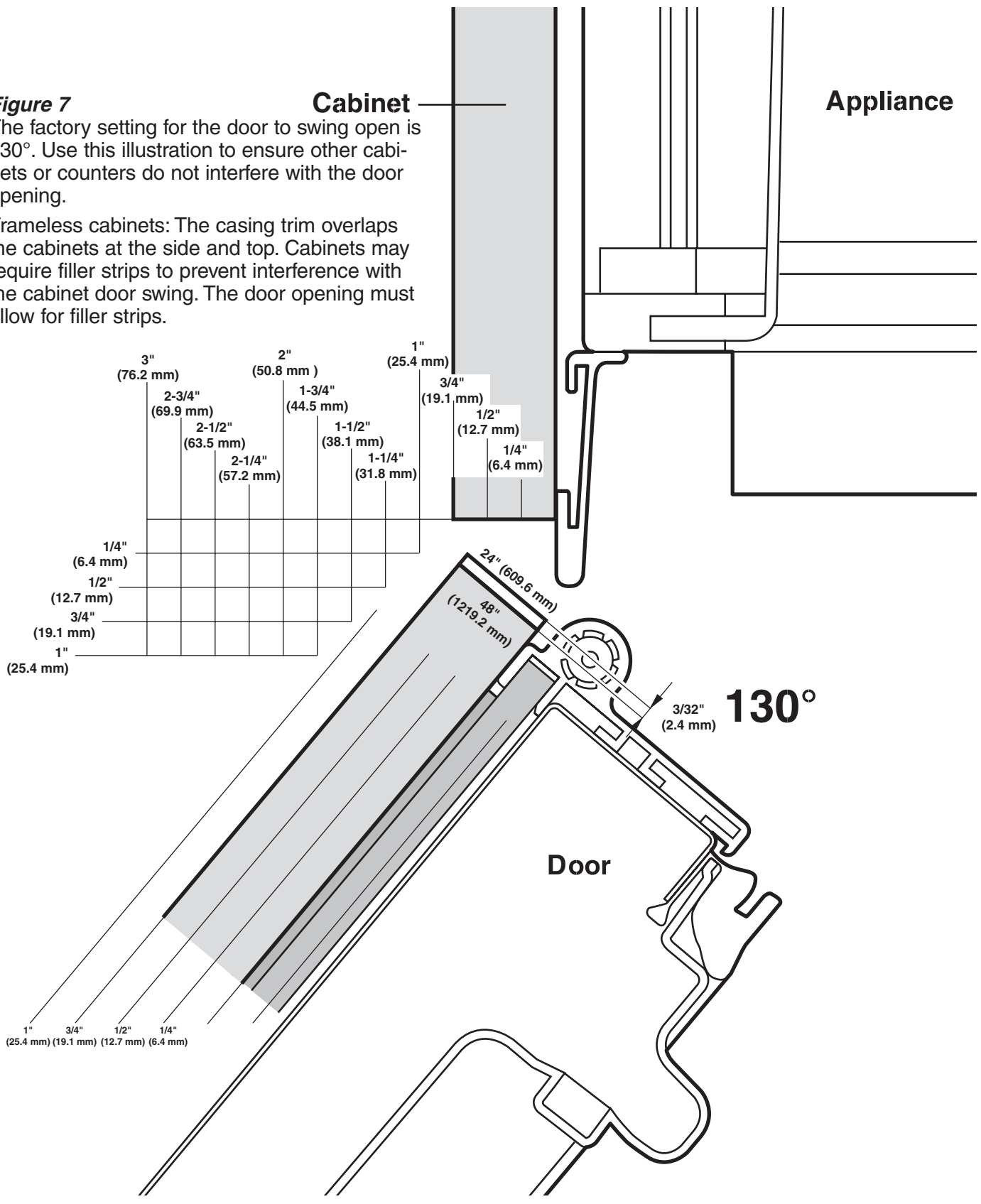
**LIEBHERR**

# INTEGRATING CABINETRY

**Figure 7**

The factory setting for the door to swing open is 130°. Use this illustration to ensure other cabinets or counters do not interfere with the door opening.

Frameless cabinets: The casing trim overlaps the cabinets at the side and top. Cabinets may require filler strips to prevent interference with the cabinet door swing. The door opening must allow for filler strips.



**Figure 7**

*A delight in freshness*

# INTEGRATING CABINETS

---

## **Figure 8**

The optional setting for the door to swing open is 90°. Use this illustration to ensure other cabinets or counters do not interfere with the door opening.

Frameless cabinets: The casing trim overlaps the cabinets at the side and top. Cabinets may require filler strips to prevent interference with the cabinet door swing. The door opening must allow for filler strips.

# INTEGRATING CABINETRY

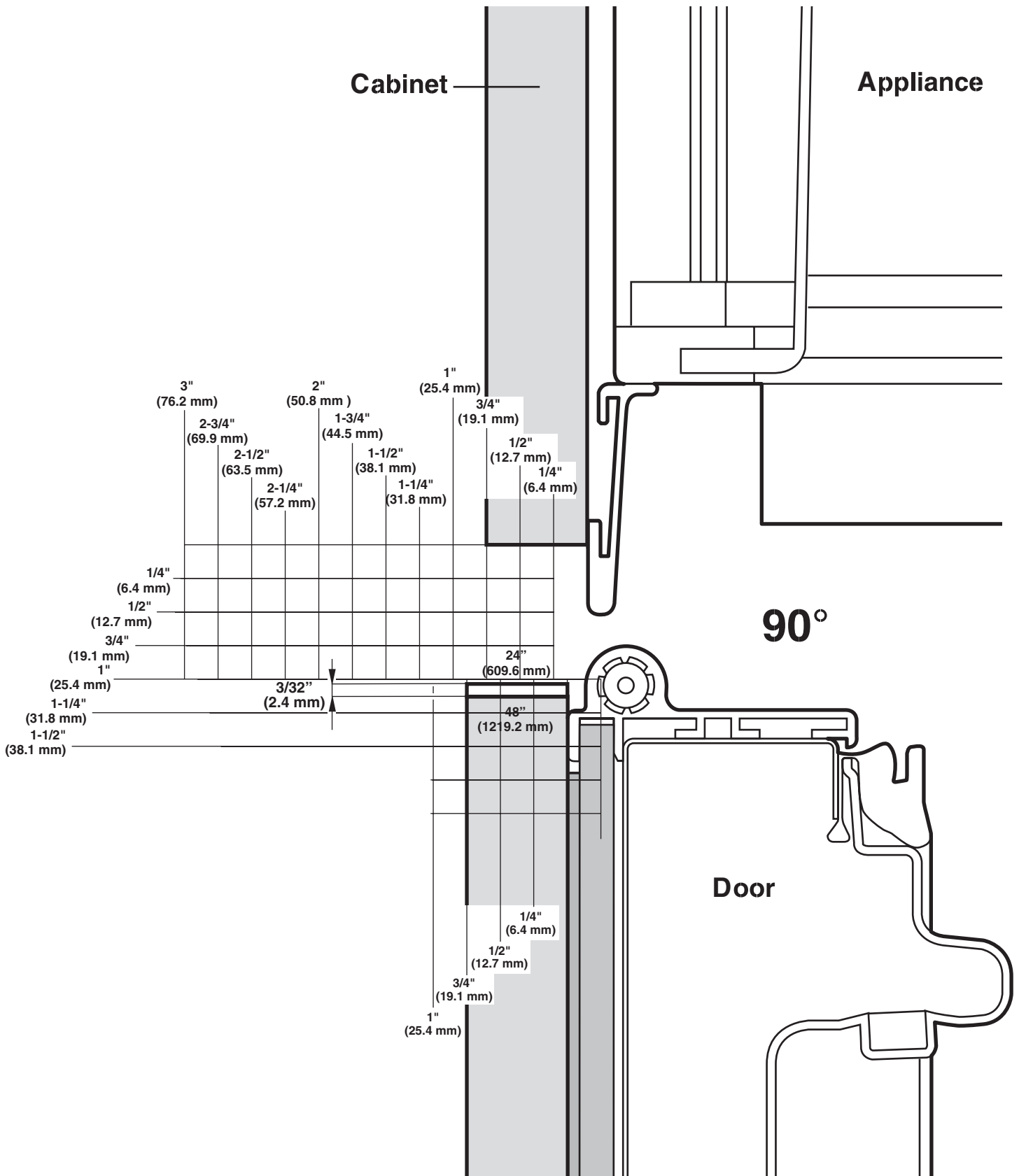


Figure 8

*A delight in freshness*

# REVERSING DOOR HINGES

The door hinges can be changed from one side to the other if required.

1. **Figure 10: Top:** Unscrew the hinge pin (2) and remove the screw (5) with the eccentric.
2. Swivel out the door at the top, ensuring that you do not lose the stop (7) and bushing (8); lift off the door and place it on the floor.
3. Center: Pull out the hinge pin (9) with its washer.
4. Swivel out the lower door, lift it out and place it on the floor. Take care not to lose the stop (7) and washers (8).
5. Unscrew all the door fittings (14, 15, 16, 17).
6. **Figure 11:** Unscrew all the door change frames and exchange them with one another (6 with 8, 4 with 7 and handle - remove cover 1). Secure them in position using the same screws.
7. Ensure that the door change frames are correctly positioned and mitered.

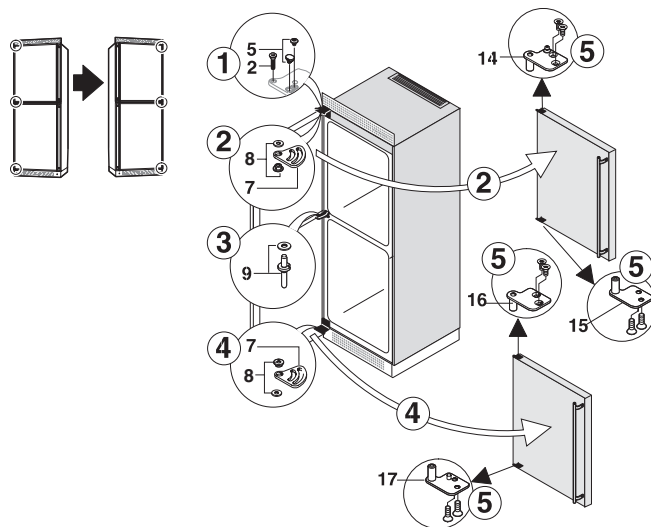


Figure 10

## WARNING

Make sure the corners of the door change frames are positioned correctly. Sharp edges will be exposed if they are not mitered or positioned correctly.

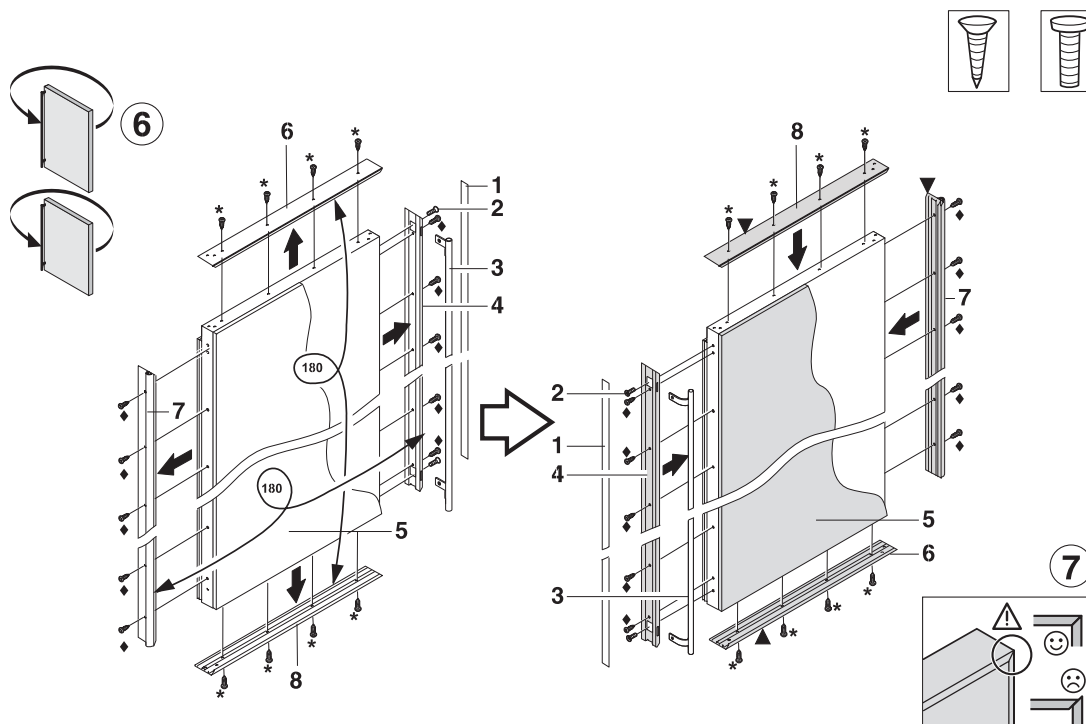


Figure 11

A delight in freshness

LIEBHERR



# REVERSING DOOR HINGES

8. **Figure 12:** Unscrew the lower hinge (13).
  - Remove the stop and bushings (7, 8).
  - Transfer hinge pin (2) to the opposite side.
  - Turn the stop (7) 180° and position bushings (8) as shown in the detailed drawing.
  - Screw on hinge (13) on the new hinge side.
9. On the lower door: Reinstall the door fittings (14, 15). Pay special attention to the part (14) with the stop.
  - Swivel in the door.
  - Pay special attention to the bushing (12) in the center hinge (10).
  - Insert hinge pin (9) and add the washer.
10. Unscrew the center hinge (10) and cover (11), pull them off to the side and after turning them 180°, slide them on again on the opposite side and secure them.
11. Place the lower door on the hinge pin (2) at the bottom.
  - Swivel in the door.
  - Pay special attention to the bushing (12) in the center hinge (10).
  - Insert hinge pin (9) and add the washer.

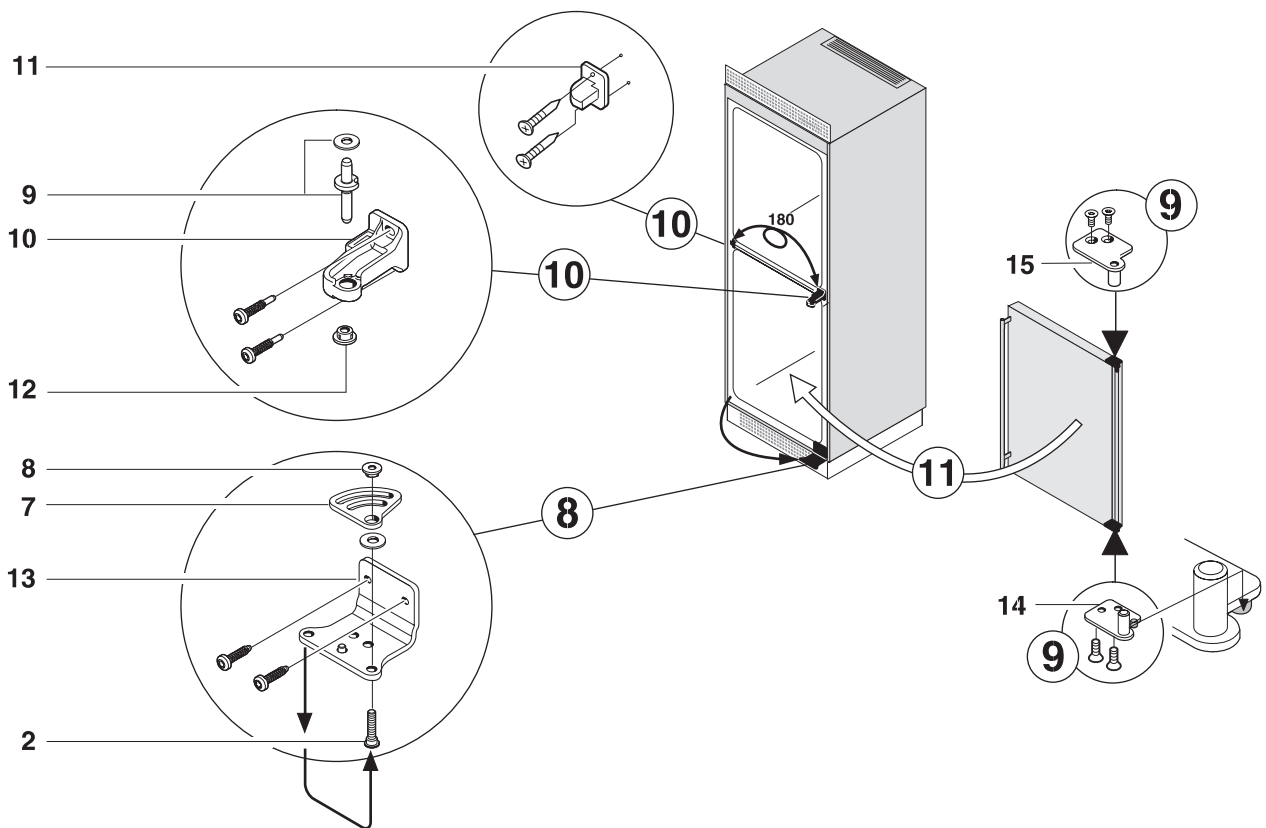


Figure 12

*A delight in freshness*

# REVERSING DOOR HINGES

12. **Figure 13:** Lift up cover (3) on handle side, push outward; lift up cover (1) on hinge side and pull off.
  13. Unscrew mounting plate (21): first mounting screw (20), then inner retaining screw (25).
    - Unscrew hinge (4): first remove the mounting screw (20), then retaining screws (25). Fit hinge (4) to opposite side: for easy assembly, fit hinge from above and first tighten with the upper retaining screw (25) M5, then screw (25) and finally mounting screw M4 (20).
    - Turn mounting plate (21) 180° and screw tight again on the new handle side: first retaining screw (25), then mounting screw (20).
  14. Remove the eccentric (5) with the retaining screw in the hinge (4).
  15. On the upper door: Reinstall the door fittings (16, 17). Pay special attention to the fitting (17) with the stop.
  16. Place the upper door on the center hinge, fit the bushing (8), stop (7) and washer on the door, swivel in the door at the top and insert and secure the hinge pin (2) from above through the hinge and stop.
  17. Re-insert the eccentric (5) with the retaining screw as shown in the detailed drawing.
- Check for proper alignment of all doors. Adjust them if necessary using the slots on the hinge.

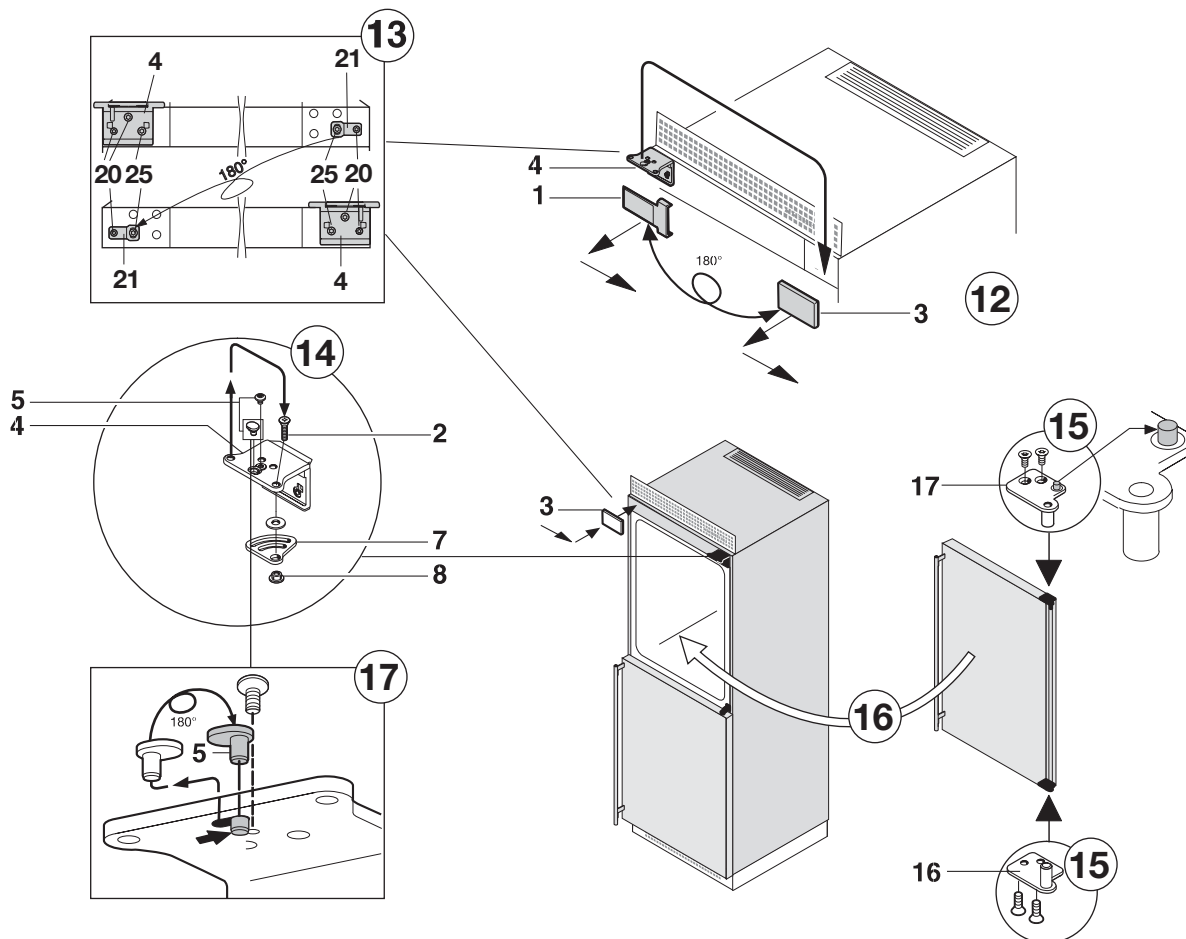


Figure 13

# REVERSING DOOR HINGES

## Door Opening Angle - Figures 14, 15

The appliance is delivered with a door opening angle of 130°.

If the angle is to be decreased to 90°, proceed as follows:

- **Insert** attached screw (6) in the **upper** hinge as shown in **Figure 14**.
- **Insert** attached screw (6) in the **lower** hinge as shown in **Figure 15**.

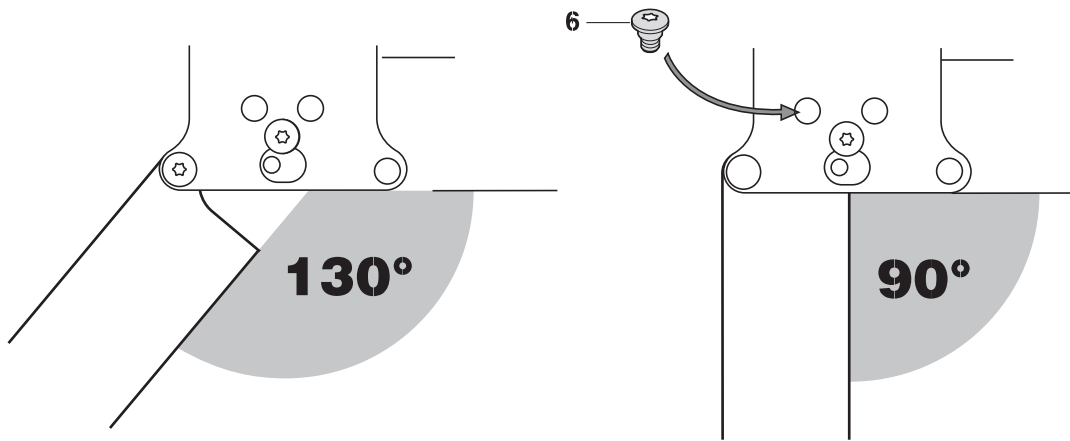


Figure 14

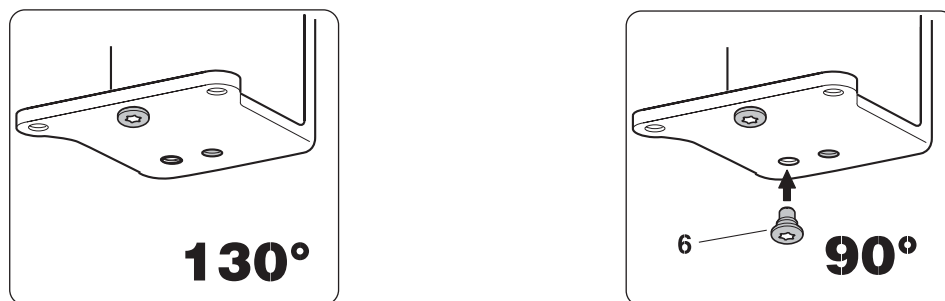


Figure 15

*A delight in freshness*

**LIEBHERR**

# INSTALLATION

Only install the winecooler/freezer in a stable kitchen cabinet that has been properly aligned.

- Mount and fix the handles, depending on your model and choice.

## Unpacking

Unpack the installation kit and check with the provided parts list if all parts are included. The part numbers given in the parts list are identical to the numbers in the respective figures.

For installation you will need the following tools:

Included:

- Star Key Torx® 15
- Star Key Torx® 20
- Star Key Torx® 25
- Socket Wrench 8 mm
- Open-end Wrench 10 mm

Not in package:

- Phillips (star) screwdriver
- Level
- Ruler

## Figure 16: Installation with Ventilation Grille Set:

1. Screw the installation frame at the top (1) onto the appliance with screws (2).
2. Place the ventilation grille (3) on this, align it in the center and secure at the front from underneath.
3. Slide brackets (4) onto the side installation frames (5) from above and below.
4. Using the frame (5), screw the brackets onto the side wall\*.
5. Slide the side installation frames (5) upwards until they are in contact with the underside of the ventilation grille.
6. Secure the side frames with the adhesive section (7) to prevent them from sliding down. Remove the protective film and affix the adhesive sections over the upper brackets on the handle and hinge sides.

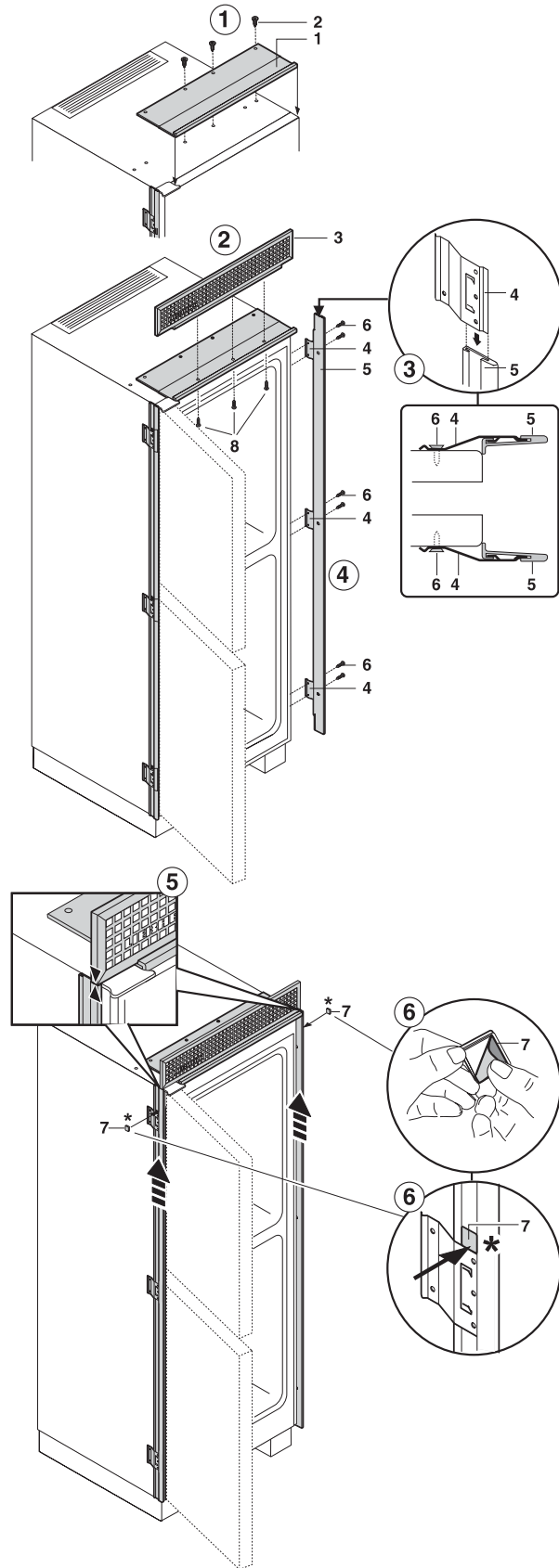


Figure 16

\* Depending on model and options

# INSTALLATION

- **Figure 17:** Connect the appliance to the main power supply.
- If the appliance is equipped with an IceMaker, establish the connection for the water supply. See "IceMaker, Water Connection".

1. Carefully slide the appliance into the cabinet until the ventilation grille touches the surrounding kitchen cabinet.
2. Align the appliance until it is parallel with the surrounding kitchen cabinet. Use the open-end wrench 10 mm (3) to adjust the feet at the front. Turn clockwise for up and counterclockwise for down. For the rear use the adjusting

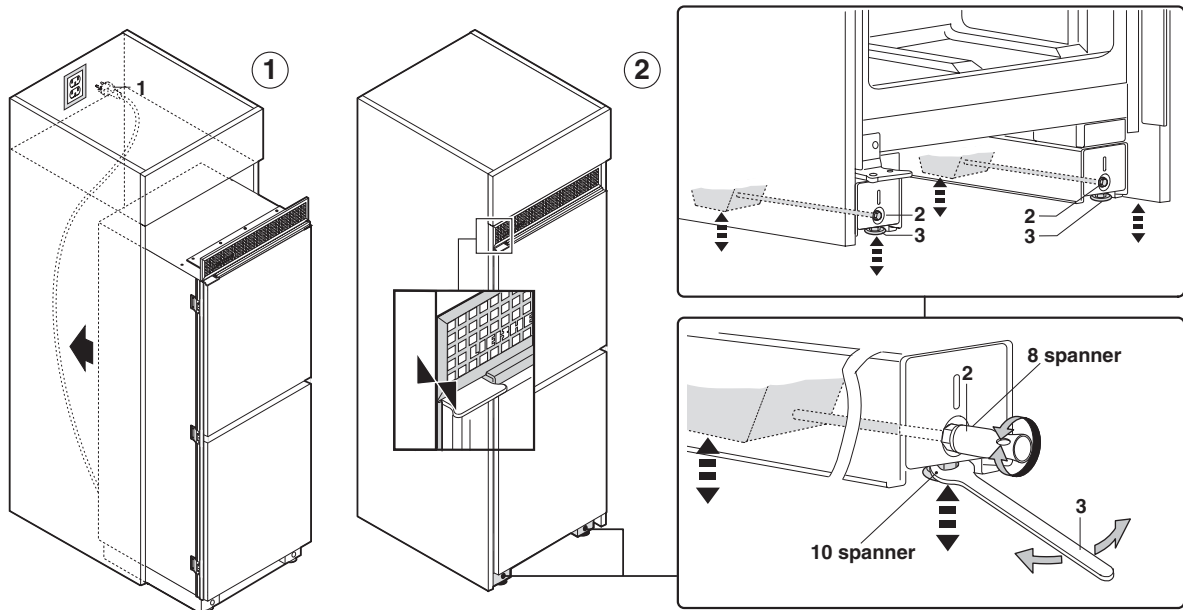


Figure 17

bolt (2). Turn clockwise for down and counterclockwise for up.  
Maximum adjustment: 19/64" (15 mm).

3. **Figure 18:** Align the appliance at the side with the cabinet side panel and attach it with screws (1).  
- Cover the screws with cover caps (2).
4. Fit the ventilation grille at the bottom [(3) if the door is hinged on the left, (4) if it is on the right]: Secure the ventilation grille so that it touches the floor and then adjust it using the slots.

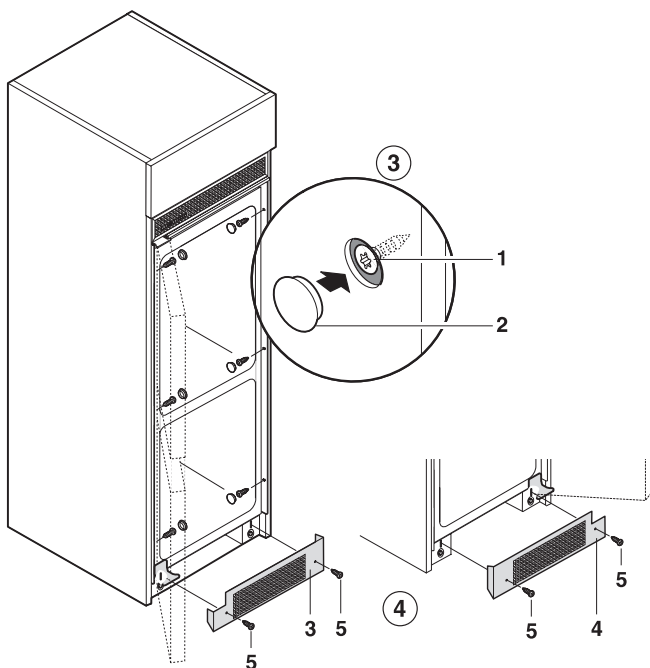


Figure 18

*A delight in freshness*

# INSTALLATION

The following **ventilation cross-section and distances** must be observed:

- There must be a ventilation space of at least 31 square inches (200 cm<sup>2</sup>) per appliance in the cabinet plinth and under the cabinet top panel.
- The depth of the ventilation duct at the rear of the cabinet must be at least 1-1/2" (38 mm).

Alternatively:

1. **For built-in appliances without ventilation grilles** and only with an installation frame, ventilation must take place through the ventilation duct at the rear of the cabinet.

Built-in appliances with an **installation frame**:

• **Figure 19:**

- Screw the complete installation frame (2) to the appliance (1).

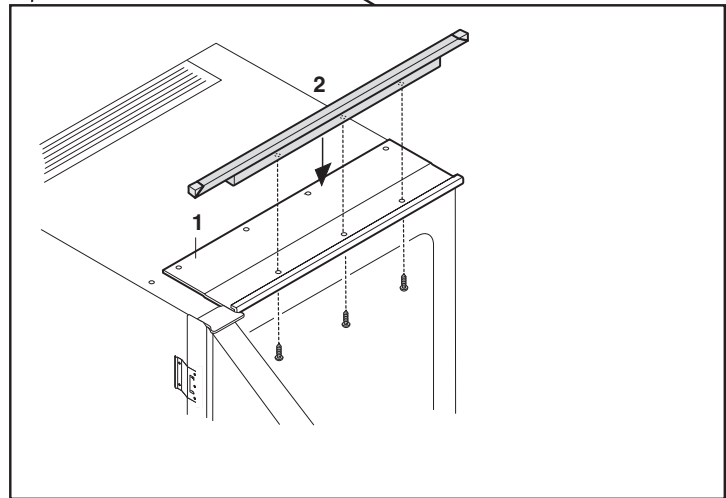
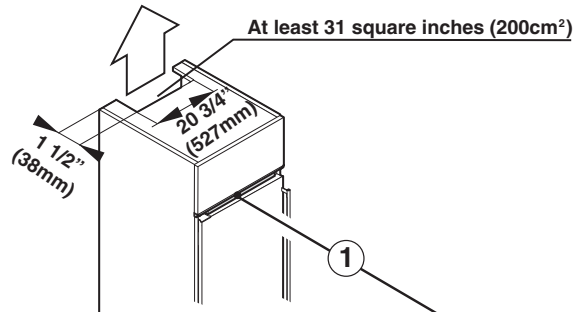


Figure 19

2. **Built-in appliances with a wooden ventilation grille:**

**Figure 20:** Cut out the wooden trim for use as a ventilation grille using the enclosed template.

- The required ventilation cross-section must be at least 31 square inches (200 cm<sup>2</sup>) when a single appliance is installed, which corresponds to template "small" (If you install two appliances side-by-side, the cross-section must be at least 62 square inches, (400 cm<sup>2</sup>), which corresponds to template "double-size," for more information see "Side-by-Side Installation").

- Remove the attachment bracket (2) from the installation frame and screw it to the appliance (1) from underneath. Place the wooden ventilation grille (5) on the appliance, align it in the center and secure it from the rear using the attachment bracket (2).

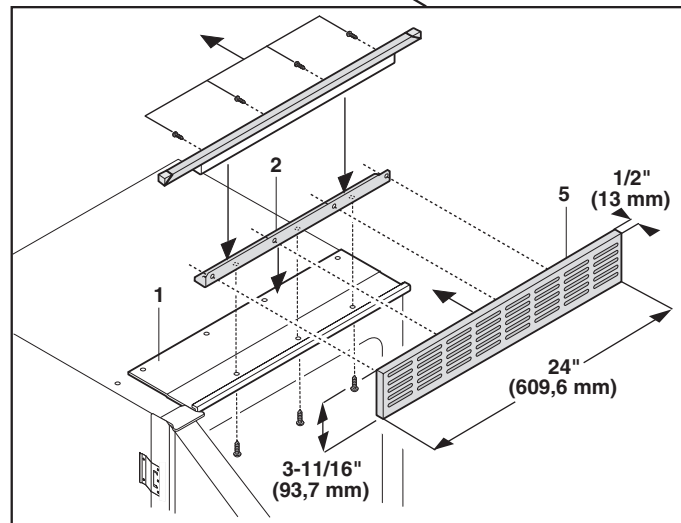
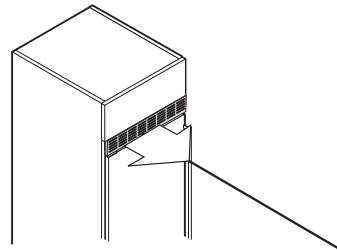


Figure 20



# BLOCKING FOR SAFETY

**Figure 21:** Secure the appliance in place so it does not tip forward when the fully stocked door is opened.

2. Measure the distance from the floor to the upper edge of the unit.
3. Locate and mark two wall studs (1) against the wall where the refrigerator will be located. The space between the unit top and the bottom of the brackets must not be more than 1/4" (6.4 mm).
4. Make sure the screws (2) extend a minimum of 1" (25.4 mm) into each of the wall studs.
5. Make sure the anti-tip brackets (3) extend at least 3" (76.2 mm) over the unit and are securely in place.

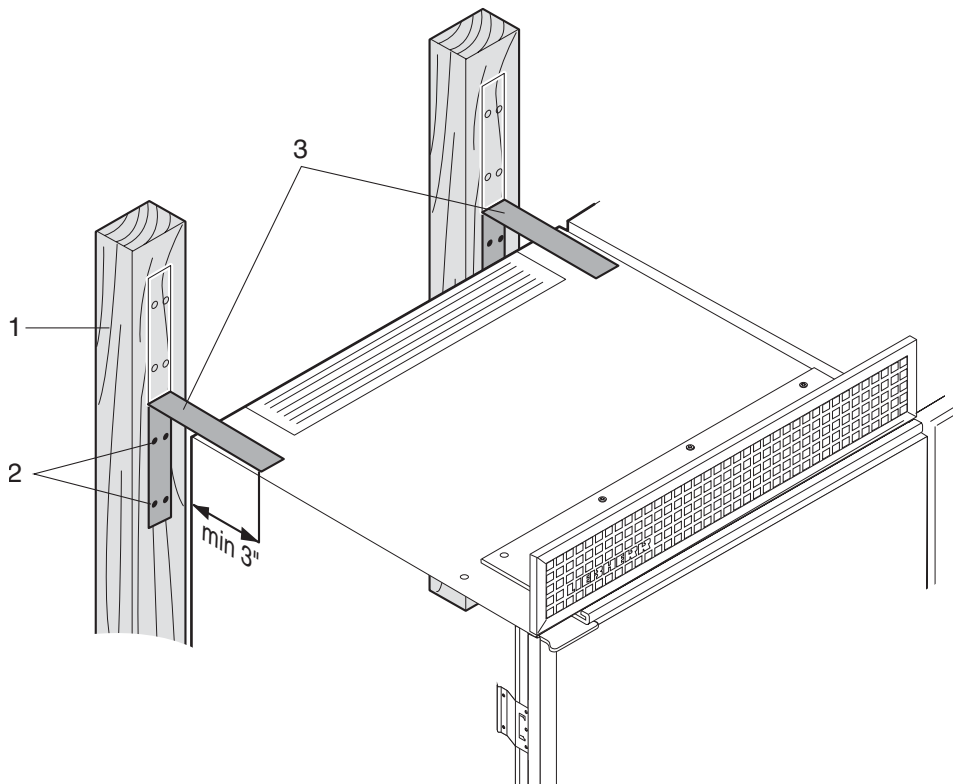
## **IMPORTANT**

The anti-tip brackets can be installed in either direction or closer together. Always position the anti-tip brackets as wide apart as possible, but make sure they are anchored to two studs.

6. Using the adjustable roller base, raise the unit until it makes contact with the brackets. Make sure the front levelers are firmly on the floor to prevent appliance from tipping forward.

## **IMPORTANT**

If your unit is positioned in between the wall studs, a board can be secured to the wall. Make sure the board is secured to the studs with screws that will penetrate into the studs a minimum of 1" (25.4 mm). The board should be a minimum of 1" x 6" (25.4 mm x 152.4 mm) and long enough to secure both ends to the wall studs.



**Figure 21**

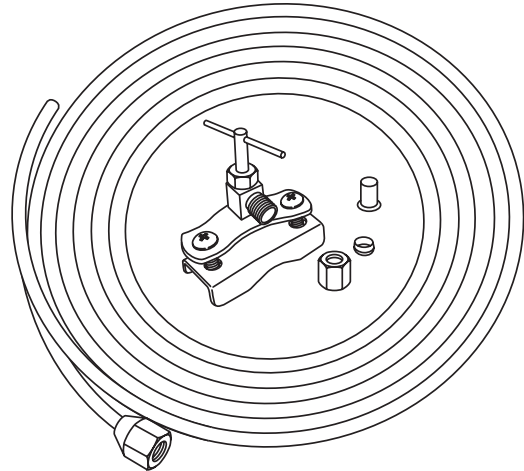


## Water Connection - Figure 22

Please read the first three points of the safety instructions and warnings before connecting the appliance to the main water supply.

- The water pressure must be between 21.8-87.0 psi (1.5-6 bar).
- Use a 1/4" OD copper line to connect the water supply to the solenoid valve. ***This is not supplied with the appliance (Figure 22).***
- A shut-off valve, such as the saddle valve illustration here, must be installed between the hose line and the main water supply so the water supply can be stopped if necessary.

**Do not install the shut-off valve behind the appliance.**



**Figure 22**

- If you have hard water, we recommend you install a water softener. Also, a filter must be installed if the water contains solids such as sand.
- All equipment and devices used to supply the water to the appliance must comply with the current regulations for your geographical area.

# ICEMAKER

## Connection to the Water Supply

1. Install the shut-off valve, water filter and automatic shut-off device as required.

### Note

The solenoid valve is located at the rear of your unit.

2. Place a 1/4" OD copper tubing between the shut-off valve and solenoid valve. Make sure there is approximately 30" (70 cm) of excess tubing behind the unit for easy connection.

### IMPORTANT

The solenoid valve has a Metric R3/4 male connection.

A R3/4(metric) to a 1/4" OD adapter and cable clip are supplied with the icemaker.

**Figure 24:** Remove the cover cap (4) from the solenoid valve (1). Install the connection bracket (2) with sealing ring (6) on the solenoid valve (1). Attach the copper tube to the connection bracket (2). Secure the copper tube (3) to the appliance using the cable clip (5).

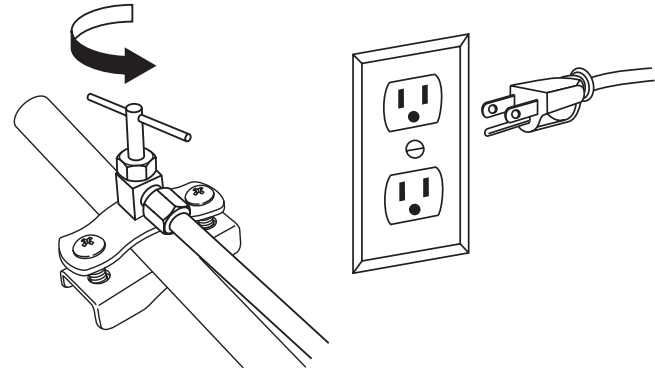
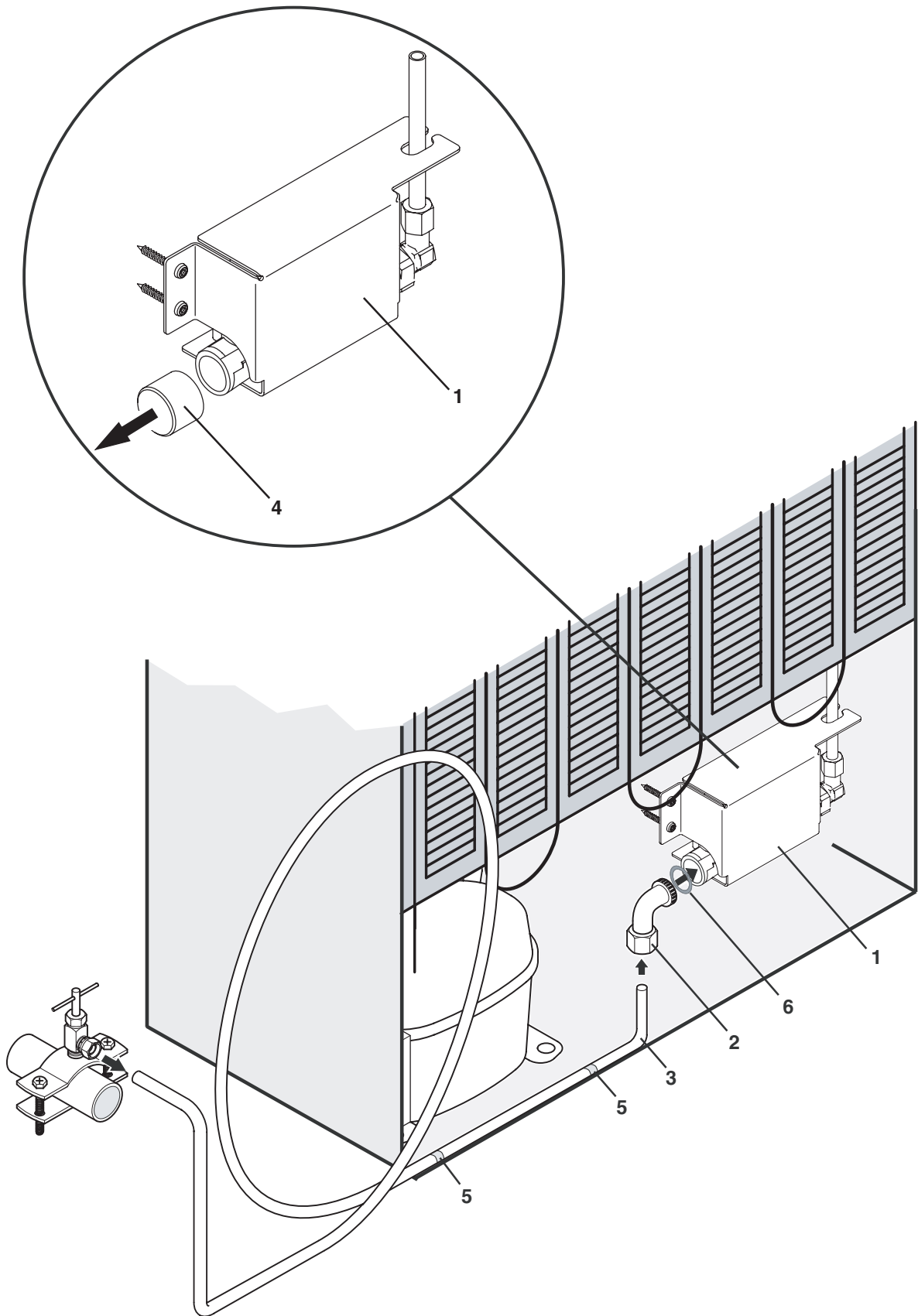


Figure 23

3. Open the shut-off valve for the water supply and check the entire water system for leaks. Before the appliance is used for the first time a licensed plumber should bleed air from the system.
4. Insert the electrical plug for the combined appliance into the electrical outlet (Figure 23).
5. Move the appliance into final position in the room.

# SIDE-BY-SIDE INSTALLATION



**Figure 24**  
*A delight in freshness*

# SIDE-BY-SIDE INSTALLATION

## Unpacking

Unpack the side by side installation kit and check with the provided parts list if all parts are included. The part numbers given in the parts list are identical to the numbers in the respective figures.

For installation you will need the following tools:

Included:

- Star Key Torx® 15
- Star Key Torx® 20
- Star Key Torx® 25
- Socket Wrench 8 mm
- Open-end Wrench 10 mm

Not in package:

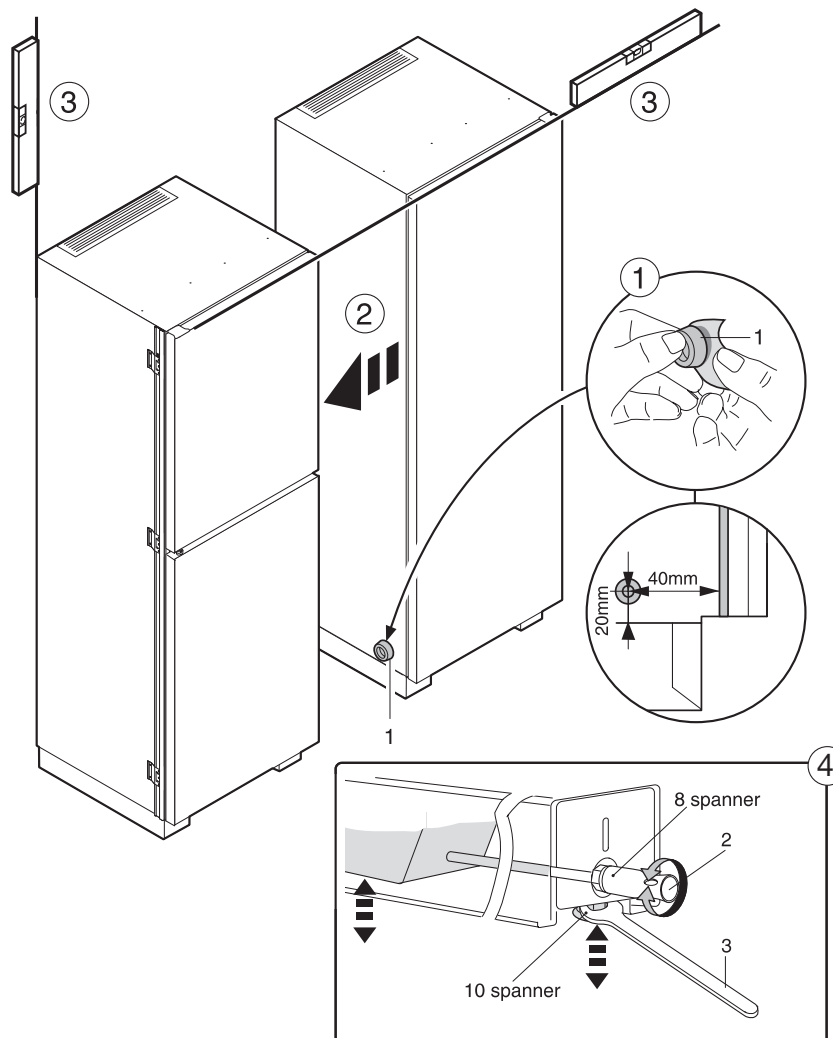
- Phillips (star) screwdriver
- Level
- Ruler

**Figure 25:** To install the WFI 1051 appliances side-by-side, proceed as follows:

- Always place the WF/WFI 1051 with the hinges on the left-hand side (looking from the front).

## Installation with SBS Ventilation Grille Set:

1. Affix the spacer **(1)** on the side wall of the appliance – remove the protective film.
2. Push the appliances together,
  - align them *parallel* to each other.
3. Use a level on the top to align them *to the same height*.
4. Use the open-end wrench 10 mm **(3)** to adjust the feet at the front of the roller base. Turn clockwise for up and counterclockwise for down. For the rear, turn the adjusting bolt **(2)** clockwise down and counterclockwise up.



**Figure 25**

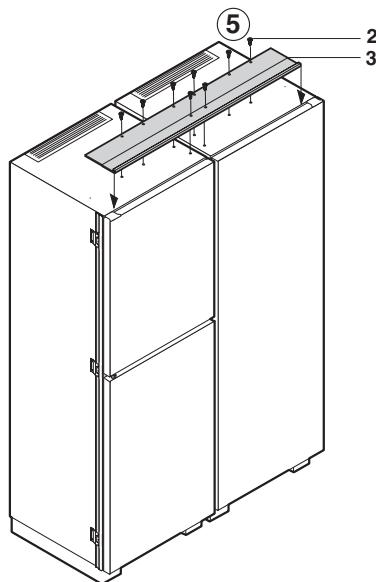
*A delight in freshness*

**LIEBHERR**

# SIDE-BY-SIDE INSTALLATION

5. **Figure 26:** Secure the installation frame (3) at the top to the appliances with screws (2).

- Align the appliance at the front bottom.
- Use the predrilled holes to align the installation frame (2).
- First mount the installation (3) frame with 4 screws (2) to one appliance, then align the other appliance with the predrilled holes to the installation frame (3) and secure it with the screws (2).



6. **Figure 26:** Position the attachment brackets (6) at the rear of the appliances at the top and bottom. Slide the upper attachment bracket upwards as far as possible. Secure it at the side using the screws provided (5). Do not overtighten!

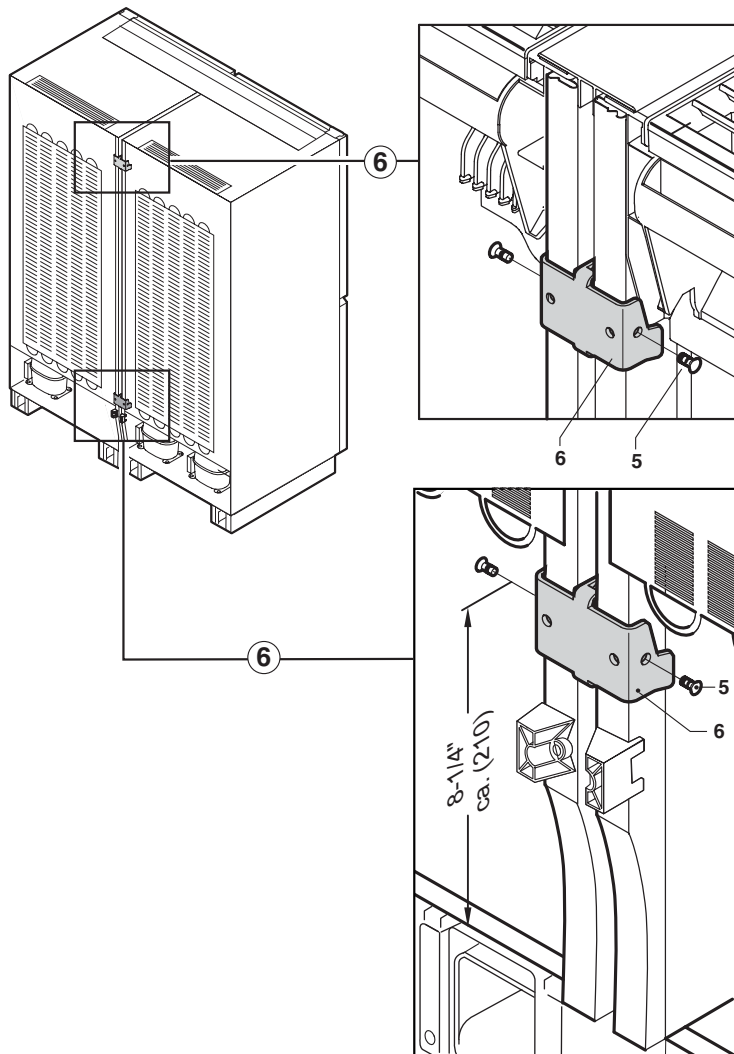


Figure 26

*A delight in freshness*

# SIDE-BY-SIDE INSTALLATION

- Figure 27:** Push the long carriage bolt M5x260 (7) through the leveling wheels as shown. Fit in a washer (8). Screw on the wing nut (9) and tighten it *manually*. Do not overtighten.
- Turn the adjustable roller base up. Otherwise you will damage the floor when you push in the appliances.
- Secure the ventilation grille (10) to the appliance with screws (11). Push in the sealing strip (4) as shown.

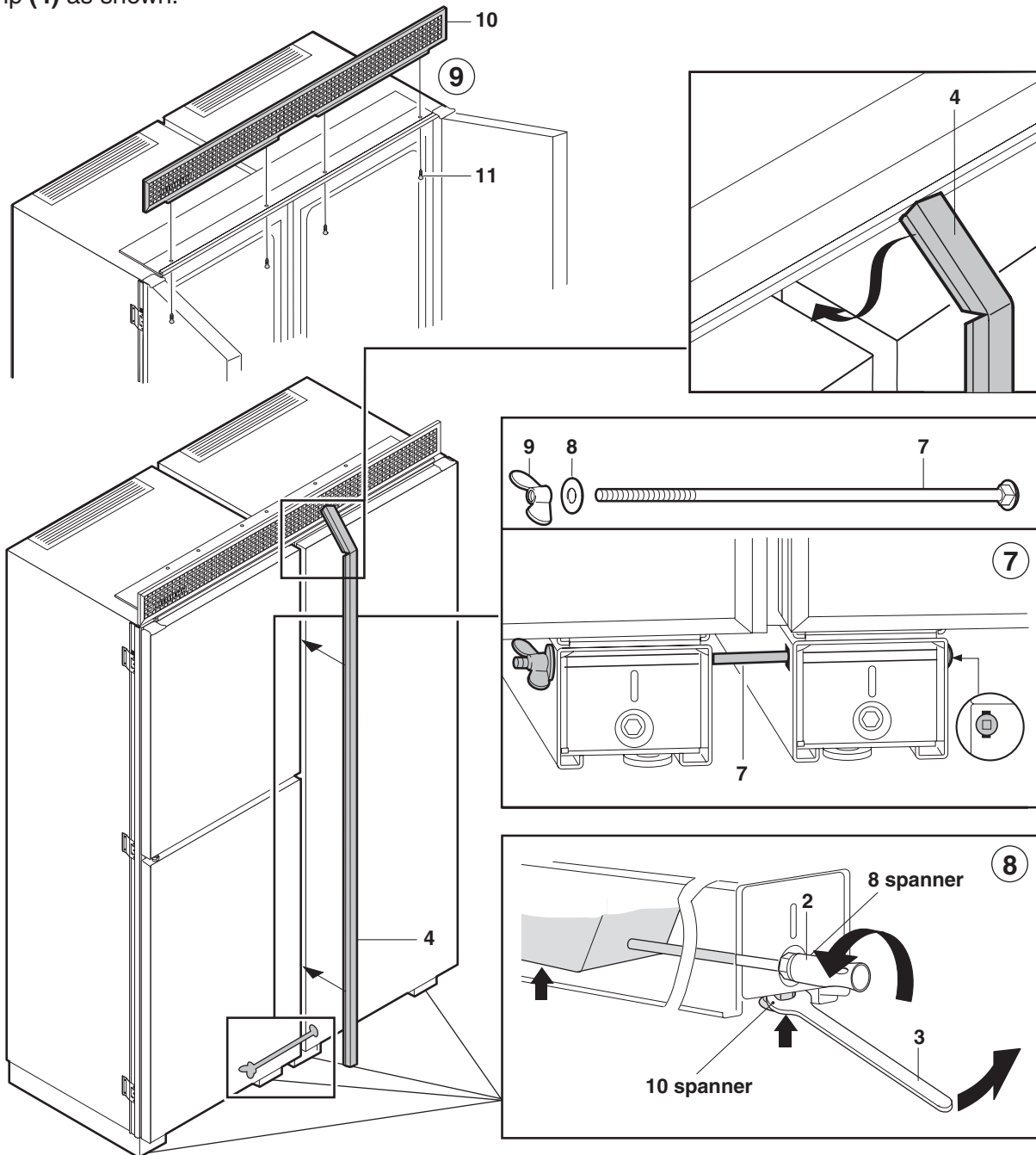


Figure 27

A delight in freshness

**LIEBHERR**

# SIDE-BY-SIDE INSTALLATION

10. **Figures 28, 29:** Slide the side installation frames (15) upward until they are in contact with the underside of the ventilation grille, **Figure 28**.
11. Secure the side frames with the adhesive section (17) to prevent them from sliding down. Remove the protective film and place the adhesive sections over the upper brackets.
12. Install anti-tip brackets for each appliance. Refer to "Blocking For Safety."

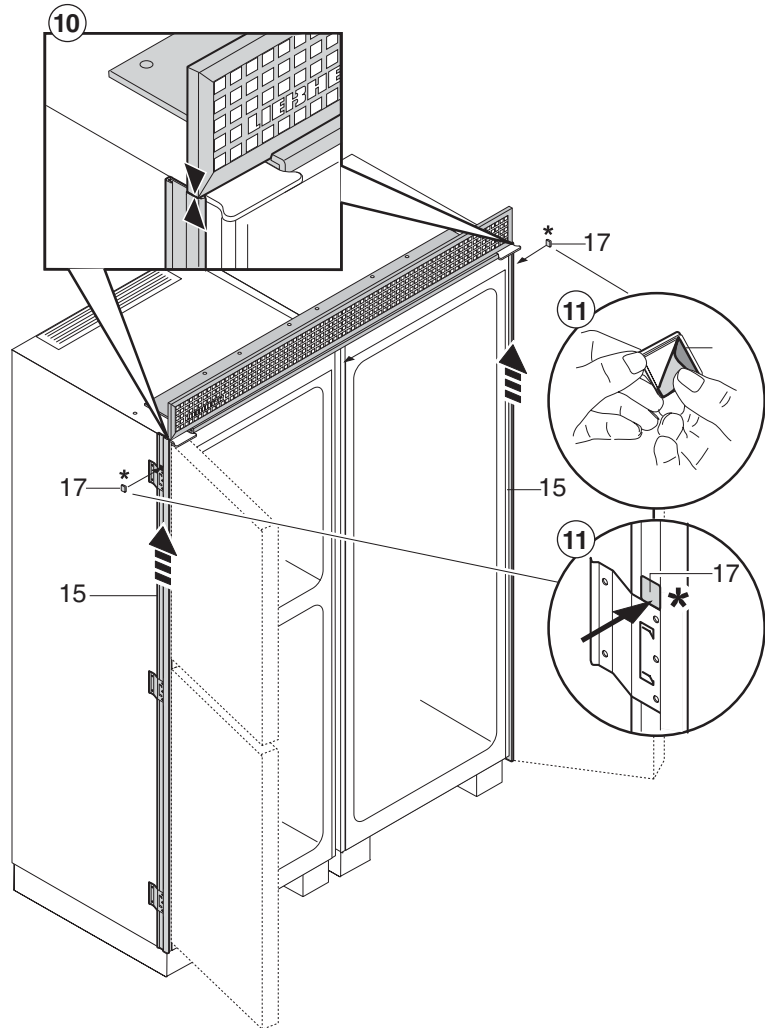


Figure 28

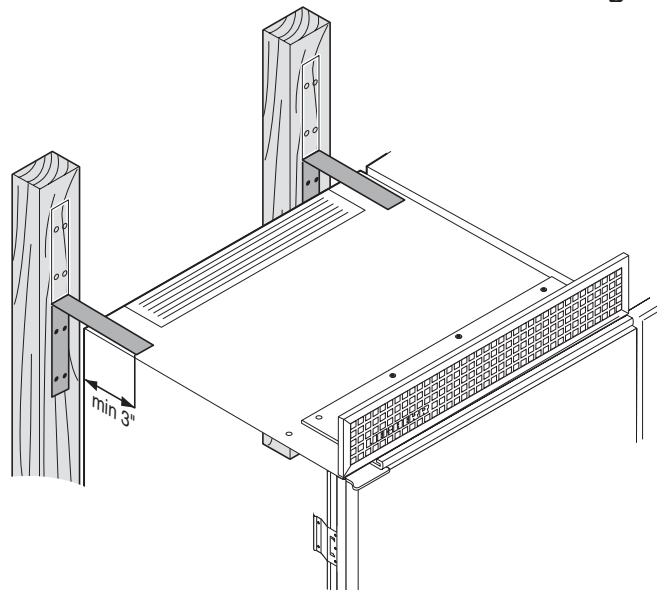


Figure 29

*A delight in freshness*

# SIDE-BY-SIDE INSTALLATION

13. **Figure 30, 31: Connect the appliances:**
  - to the main power supply and
  - to the water supply if the appliance is equipped with an IceMaker. See "IceMaker, Water Connection," **Figure 30**.
14. Carefully slide the connected appliances into the recess until the ventilation grille touches the top, **Figure 31**.
15. Align the appliances by using only the **outer** leveling wheels at the front (**3**) and rear (**2**).

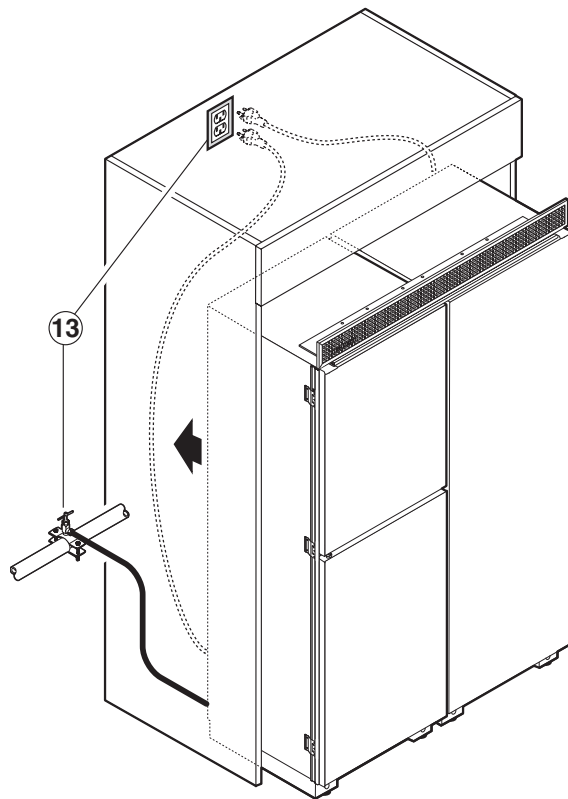


Figure 30

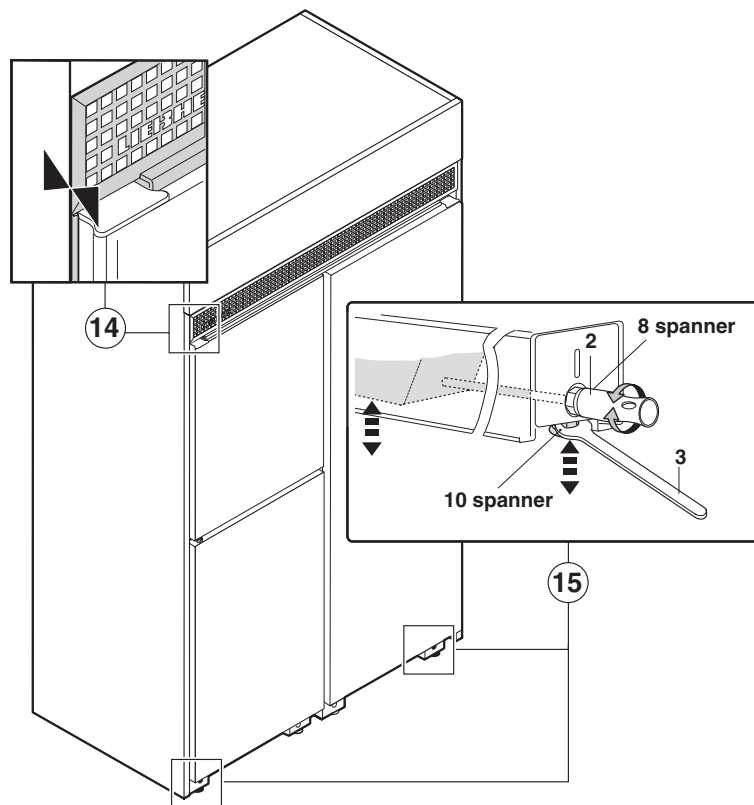


Figure 31



# SIDE-BY-SIDE INSTALLATION

16. **Figure 32:** Attach the *aligned* combination to the surrounding kitchen cabinet. Secure it through the side frames using the screws (20) provided.
  - Cover the screws with cover caps (21).
17. Now adjust the center adjustable roller bases (22) so that they **make slight contact with the floor**.
18. Install the lower ventilation grille (23): Secure the ventilation grille so that it touches the floor and adjust it using the slots. Do not overtighten!

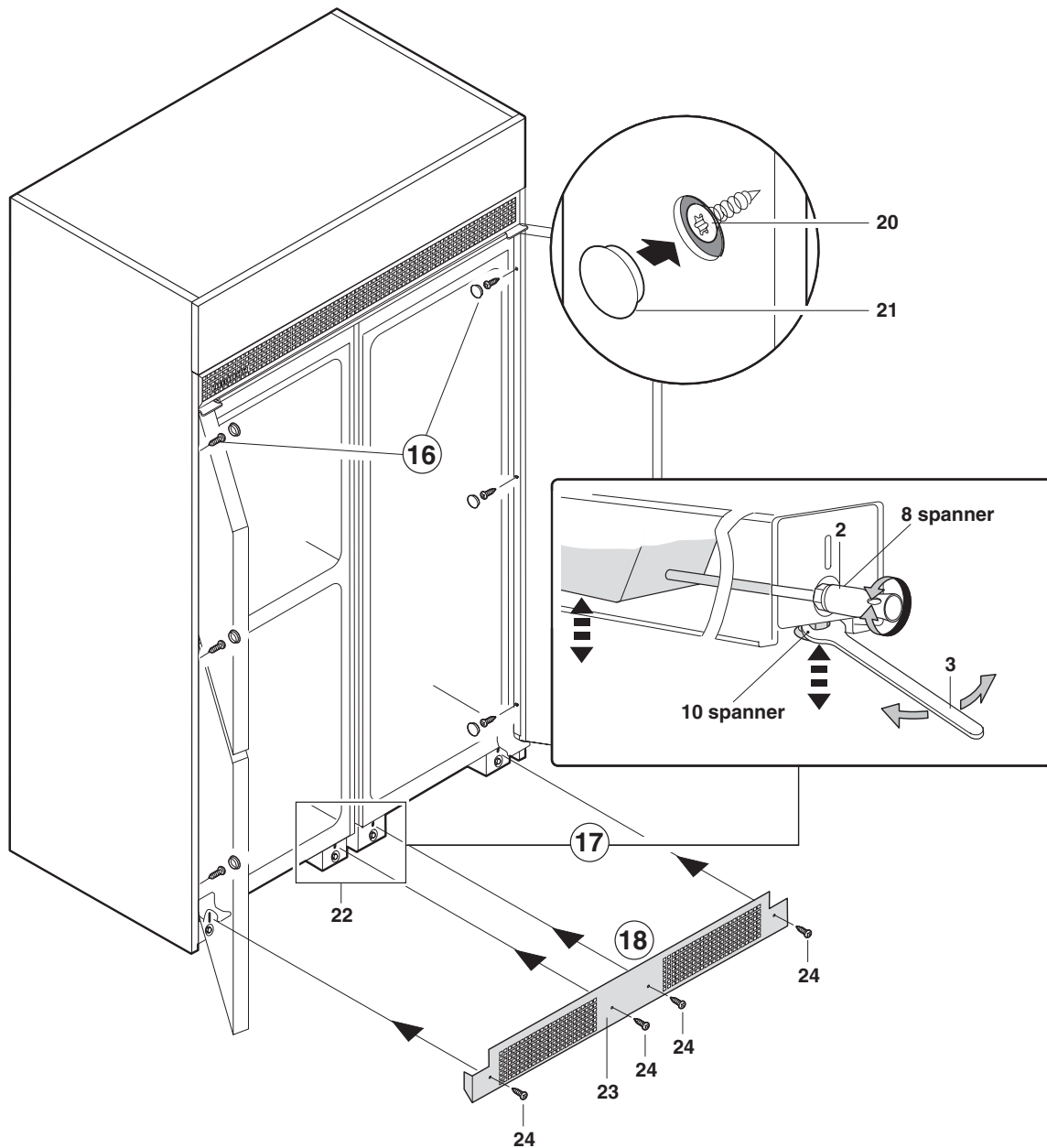


Figure 32

*A delight in freshness*

# SIDE-BY-SIDE INSTALLATION

1. For built-in appliances without ventilation grilles and only with installation frame (2), ventilation must take place through the ventilation duct at the rear of the cabinet. Ensure that the ventilation cross-section is at least 31 square inches (200 cm<sup>2</sup>) per appliance.  
At least 62 square inches (400 cm<sup>2</sup>) for side-by-side installation of two appliances. Built-in appliances with an installation frame:
  - **Figure 33:** Screw the installation frame (2) to the appliance through the attachment brackets.

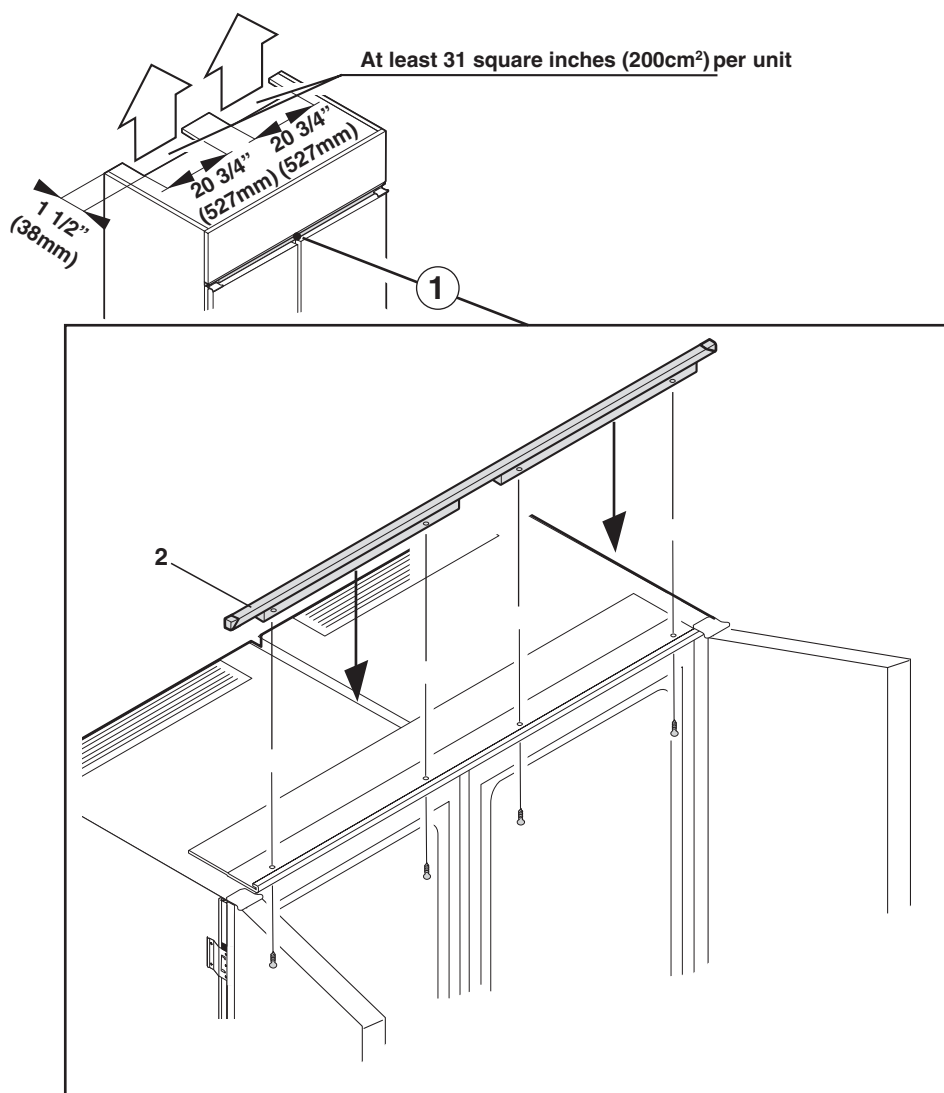


Figure 33

# SIDE-BY-SIDE INSTALLATION

## Built-in appliances with a wooden ventilation grille:

2. **Figure 34:** Cut out the wooden trim for use as a ventilation grille using the attached template.
- The required ventilation cross-section must be at least 62 square inches (400 cm<sup>2</sup>) for side-by-side installation of two appliances, which corresponds to the attached template "double-size."

- Remove the attachment brackets from the installation frame (2) and screw them to the appliance from underneath.
- Place the wooden ventilation grille (5) on the appliance, align it in the center and secure it from the rear using the attachment brackets.

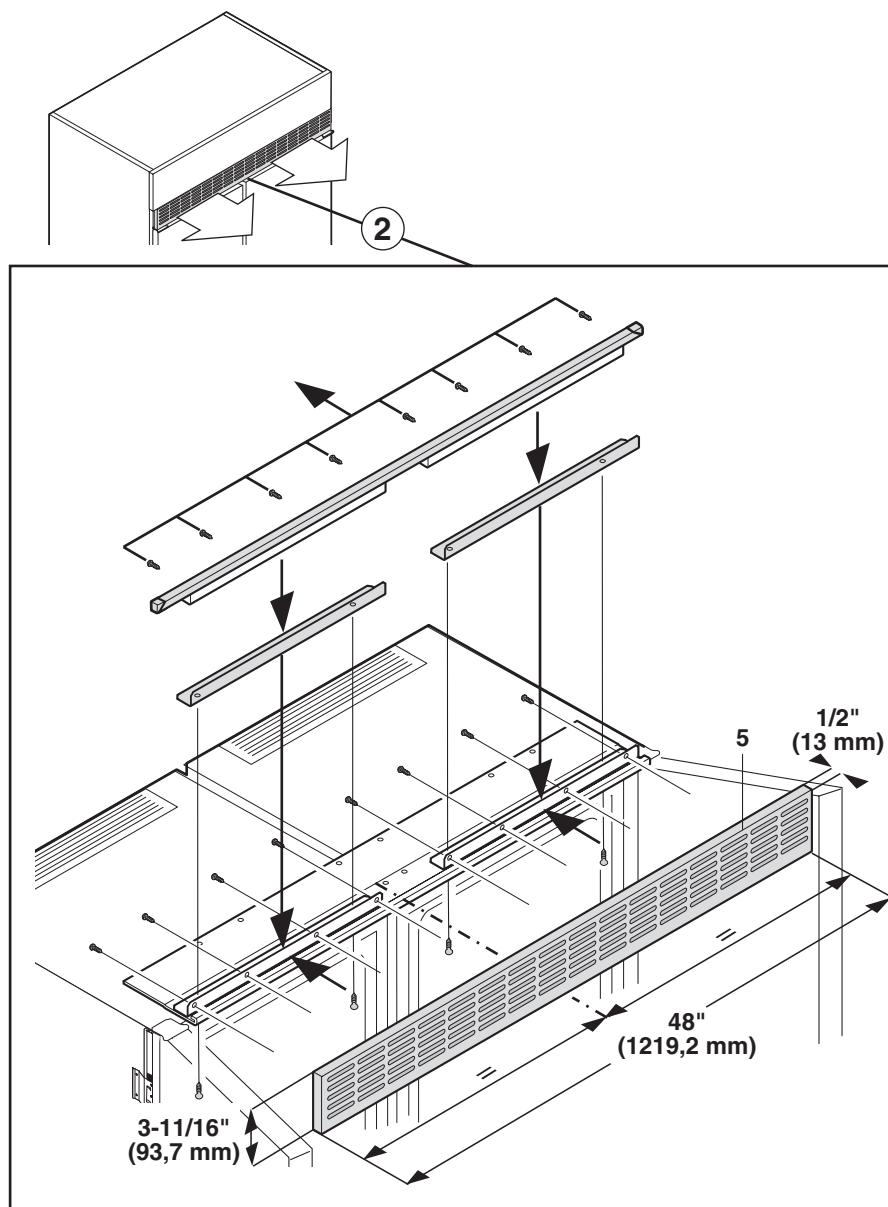


Figure 34

*A delight in freshness*

## Free Manuals Download Website

<http://myh66.com>

<http://usermanuals.us>

<http://www.somanuals.com>

<http://www.4manuals.cc>

<http://www.manual-lib.com>

<http://www.404manual.com>

<http://www.luxmanual.com>

<http://aubethermostatmanual.com>

Golf course search by state

<http://golfingnear.com>

Email search by domain

<http://emailbydomain.com>

Auto manuals search

<http://auto.somanuals.com>

TV manuals search

<http://tv.somanuals.com>