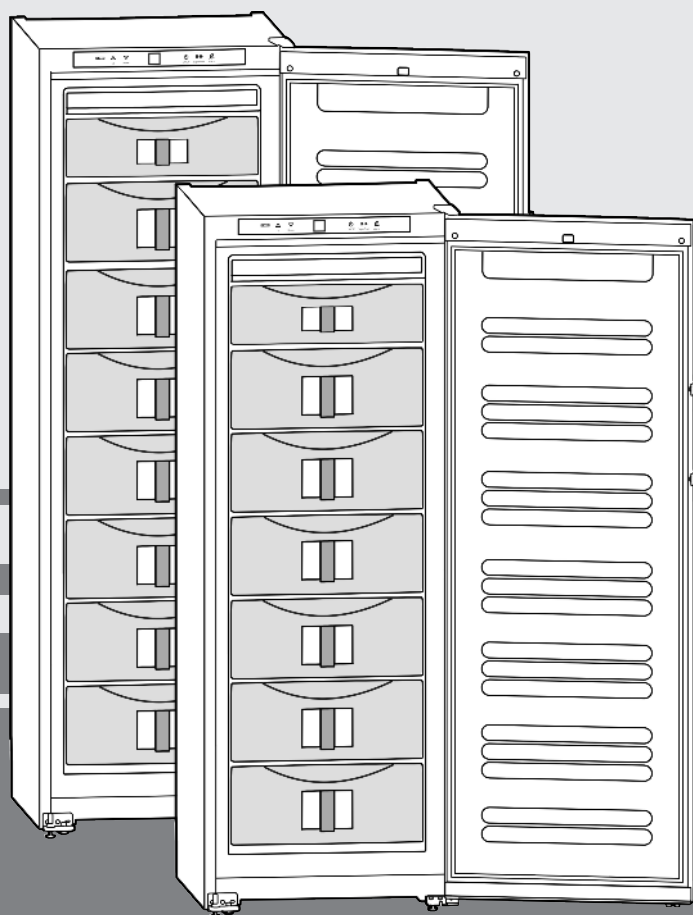


Operating instructions

Freezer

GB



230311 **7084644 - 00**

SGN(es)/GN(es) ... 6

LIEBHERR

Appliance at a glance

Contents

1 Appliance at a glance	2
1.1 Geräte- und Ausstattungsübersicht.....	2
1.2 Range of appliance use.....	2
1.3 Conformity.....	3
1.4 External dimensions of the appliance.....	3
1.5 Saving energy.....	3
1.6 Insulation plate.....	3
1.7 HomeDialog.....	3
2 General safety information	3
3 Controls and displays	4
3.1 Operating and control elements.....	4
3.2 Temperature display.....	4
4 Putting into operation	4
4.1 Transporting the appliance.....	4
4.2 Installing the appliance.....	4
4.3 Changing over the door hinges.....	5
4.4 Insertion into a row of kitchen units.....	7
4.5 Disposing of packaging.....	7
4.6 Connecting the appliance.....	7
4.7 Switching on the appliance.....	7
5 Control	7
5.1 Brightness of the temperature display.....	7
5.2 Child proofing.....	8
5.3 Door alarm.....	8
5.4 Temperature alarm.....	8
5.5 Freezing food.....	8
5.6 Thawing food.....	8
5.7 Setting the temperature.....	8
5.8 SuperFrost.....	8
5.9 Drawers.....	9
5.10 Shelves.....	9
5.11 VarioSpace.....	9
5.12 Information system.....	9
5.13 Drawer for herbs and berries.....	9
5.14 Cold storage accumulators.....	9
6 Maintenance	10
6.1 Defrosting with NoFrost.....	10
6.2 Cleaning the appliance.....	10
6.3 Customer service.....	10
7 Malfunction	10
8 Decommissioning	11
8.1 Switching off the appliance.....	11
8.2 Taking the appliance out of service.....	11
9 Disposing of the appliance	11

The manufacturer works constantly on the further development of all the types and models. Therefore please understand that we have to reserve the right to make design, equipment and technical modifications.

To get to know all the benefits of your new appliance, please read the information contained in these instructions carefully.

The instructions apply to several models. Differences may occur. Text relating only to specific appliances is marked with an asterisk (*).

Instructions for action are marked with a ►, the results of action are marked with a ▷.

1 Appliance at a glance

1.1 Geräte- und Ausstattungsübersicht

Note

► Shelves, drawers and baskets are arranged for optimum energy efficiency on delivery.

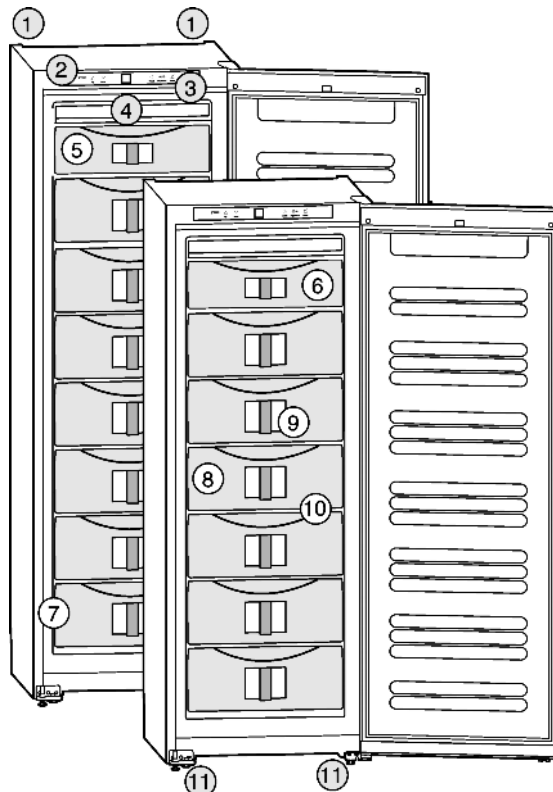


Fig. 1

- | | |
|----------------------------------|--|
| (1) Transporttragegriffe hinten | (7) Typenschild |
| (2) Bedien- und Kontrollelemente | (8) Schubfächer |
| (3) LED-Innenbeleuchtung | (9) Info-System |
| (4) NoFrost-Einrichtung | (10) VarioSpace |
| (5) Kräuter- und Beerenfach | (11) Stellfüße, Transporttragegriffe vorn, Transportrollen hinten* |
| (6) Kälte-Akku | |

1.2 Range of appliance use

The appliance is suitable solely for cooling food in a domestic environment or similar. This includes use in, for example

- in staff kitchenettes, bed and breakfast establishments,
- by guests in country homes, hotels, motels and other forms of accommodation,
- in catering and similar services in the wholesale trade

Use the appliance solely as is customary within a domestic environment. All other types of use are inadmissible. The appliance is not suitable for storing and cooling medicines, blood plasma, laboratory preparations or similar substances and products covered by the 2007/47/EC Medical Devices Directive. Misuse of the appliance can result in the stored products suffering harm or perishing. Furthermore, the appliance is not suitable for operation in potentially explosive atmospheres.

The appliance is set to operate within specific ambient temperature limits according to its climate rating. The correct climate rating for your appliance is indicated on the type plate.

Note

- Compliance with the ambient temperatures indicated is required, otherwise the cooling performance is reduced.

Climate rating	for ambient temperatures
SN, N	up to 32 °C
ST	up to 38 °C
T	up to 43 °C

The appliance will function properly in ambient temperatures of down to 5 °C.

1.3 Conformity

The refrigerant circuit has been tested for leaks. The appliance complies with current safety regulations and EC directives 2006/95/EC and 2004/108/EC.

1.4 External dimensions of the appliance

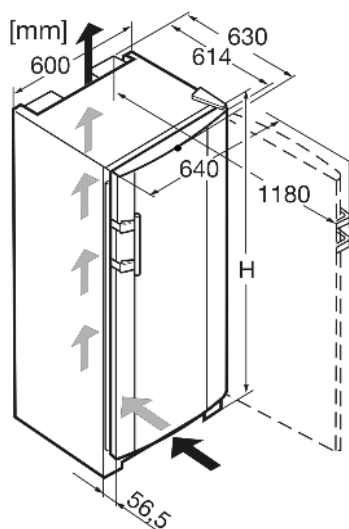


Fig. 2

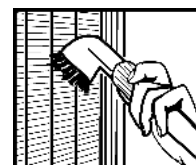
Model	Height of appliance H (mm)
SGNes 27..., SGN 27..	1655
SGNes 30..., SGN 30..., GN 30..., GNes 30..	1852

1.5 Saving energy

- Always ensure good ventilation. Do not cover ventilation openings or grille.
- Do not place appliance in areas of direct sunlight or next to a stove, heater or similar object.
- The energy consumption depends on the installation conditions, e.g. the ambient temperature (see 1.2).
- Keep the time the appliance is open to a minimum.
- The lower the temperature setting, the higher the power consumption.
- Store food logically. (see Appliance at a glance).
- Ensure that all food is well packed and covered for storage. This will prevent frost from forming.
- First cool warm food to room temperature before storing it.

Accumulated dust increases the energy consumption:

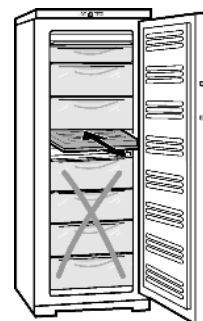
- Once a year, dust the refrigerating unit together with the metal grille of the heat exchanger at the back of the appliance.



1.6 Insulation plate

The insulation plate for part-load operation is available as an accessory from specialist dealers.

If you do not store much food in the appliance, you can reduce the power consumption by as much as 50 % by using the insulation plate. Up to 5 drawers can be de-energised, depending on model. At least 3 drawers are necessary for cooling. More information accompanies the insulation plate.



1.7 HomeDialog

Depending on model and options, the HomeDialog system can be used to network a number of Liebherr appliances (situated, for example, in the basement) with a main appliance (sited, for example, in the kitchen) and control them via the latter. You will find more information on the benefits, requirements and principle of operation on the internet at www.liebherr.com.



2 General safety information

Danger for the user:

- This appliance is not designed for persons (including children) with physical, sensory or mental impairment or persons not having sufficient experience and knowledge, unless they are instructed in the use of the appliance and are initially supervised by a person responsible for their safety. Keep children under supervision to ensure they do not play with the appliance.
- In case of a fault, pull out the mains plug (not by pulling the connecting cable) or switch off the fuse.
- Have any repairs to or intervention in the appliance, and any change of the mains power cable, carried out by the customer service only or by other specialised personnel trained for the purpose.
- When disconnecting the appliance from the supply, always take hold of the plug. Do not pull the cable.
- Install and connect the appliance only as instructed.
- Please keep these instructions in a safe place and pass them on to any subsequent owners.
- Special-purpose lamps (incandescent lamps, LEDs, fluorescent tubes) in the appliance serve to illuminate the appliance interior and are not suited for room illumination.

Fire hazard:

- The refrigerant R 600a is environmentally friendly but flammable. Escaping refrigerant may ignite.
 - Do not damage the refrigerant circuit pipes.
 - Do not allow naked flames or ignition sources to enter the appliance.
 - Do not use any electrical appliances in the interior (e.g. steam cleaners, heaters, ice cream maker etc.).

Controls and displays

- If refrigerant escapes: eliminate naked flames or sources of ignition from the vicinity. Pull out the power plug. Ventilate the area well. Notify customer service.
- Do not store explosives or sprays using combustible propellants such as butane, propane, pentane, etc. in the appliance. Respective spray cans can be identified by reference to the contents printed on the can or by a flame symbol. Gases possibly escaping may ignite due to electrical components.
- Keep burning candles, lamps and other items with naked flames away from the appliance so that they do not set the appliance on fire.
- Only store high-percentage alcohol in tightly sealed, upright containers. Alcohol possibly escaping may ignite due to electrical components.

Danger of tipping and falling:

- Do not misuse the plinth, drawers, doors etc. as a step or for support. This applies particularly to children.




Danger of food poisoning:

- Do not consume food which has been stored too long.

Danger of frostbite, numbness and pain:

- Avoid lasting skin contact with cold surfaces or refrigerated/frozen food or take protective steps, e.g. wear gloves. Do not consume ice cream, water ice or ice cubes immediately and do not consume them too cold.

Please observe the specific information in the other sections:

	DANGER	identifies a situation involving direct danger which, if not obviated, may result in death or severe bodily injury.
	WARNING	identifies a dangerous situation which, if not obviated, may result in death or severe bodily injury.
	CAUTION	identifies a dangerous situation which, if not obviated, may result in minor or medium bodily injury.
	NOTICE	identifies a dangerous situation which, if not obviated, may result in damage to property.
	Note	identifies useful information and tips.

3 Controls and displays

3.1 Operating and control elements

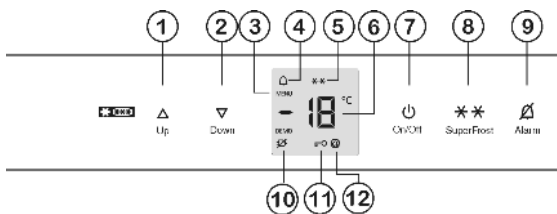


Fig. 3

- | | |
|-------------------------|----------------------------|
| (1) Up setting button | (7) On/Off button |
| (2) Down setting button | (8) SuperFrost button |
| (3) Menu symbol | (9) Alarm button |
| (4) Alarm symbol | (10) Power failure symbol |
| (5) SuperFrost symbol | (11) Child-proofing symbol |
| (6) Temperature display | (12) HomeDialog symbol |

3.2 Temperature display

The following are displayed in normal operation:

- the warmest freezing temperature

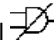
The temperature display flashes:

- the temperature setting is being changed
- after switch-on the temperature is not yet cold enough
- the temperature has risen several degrees

Dashes flash in the display:

- the freezer temperature is above 0 °C.

The following displays indicate malfunction. Possible causes and corrective action (see Malfunction).

- F0 to F9
- The power failure symbol  shines.

4 Putting into operation

4.1 Transporting the appliance



CAUTION

Risk of injury and danger of damage as a result of incorrect transport!

- ▶ Transport the appliance in a packed condition.
- ▶ Transport the appliance upright.
- ▶ Do not transport the appliance without assistance.

4.2 Installing the appliance

In the event that the appliance is damaged, contact the supplier immediately before connecting to the mains.

The floor at the site must be flat and level.

Do not install the appliance in a location where it is exposed to direct radiation of the sun, next to a cooker, heater and similar.

The ideal installation site is a dry, well ventilated room.

Always install the appliance with the back directly against the wall.

Do not install the appliance without assistance.

Standard EN 378 specifies that the room in which you install your appliance must have a volume of 1 m³ per 8 g of R 600a refrigerant used in the appliance. If the room in which the appliance is installed is too small, a flammable gas-air mixture may form in the event of a leakage in the refrigeration circuit. The quantity of refrigerant used in your appliance is indicated on the type plate on the inside of the appliance.

The appliance may be moved only when it is empty.



WARNING

Fire hazard due to dampness!

If live parts or the mains lead become damp this may cause short circuits.

- ▶ The appliance is designed for use in enclosed areas. Do not operate the appliance outdoors or in areas where it is exposed to splash water or damp conditions.



WARNING

Fire hazard due to refrigerant!

The refrigerant R 600a is environmentally friendly but flammable. Escaping refrigerant may ignite.

- ▶ Do not damage the piping of the refrigeration circuit.

WARNING

- Fire hazard and danger of damage!
- ▶ Do not place appliances emitting heat e.g. microwaves, toasters etc. on the appliance!

WARNING

- Blocked ventilation openings pose a risk of fire and damage!
- ▶ Always keep the ventilation openings clear. Always ensure that the appliance is properly ventilated!
 - ▶ Detach the connecting cable from the rear of the appliance, removing the cable holder at the same time because otherwise there will be vibratory noise!
 - ▶ Remove the protective film from the outside of the appliance.*

NOTICE

The stainless steel doors are provided with a high-quality surface coating and must not be treated using the accompanying care product.



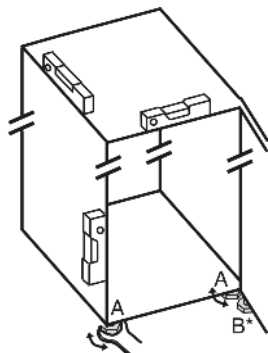
- Otherwise the surface coating will be affected.
- ▶ Wipe the coated **door surfaces** using a soft, clean cloth only.
 - ▶ Apply a stainless steel cleaner only to the **stainless steel side walls** evenly, wiping with the grain. Subsequent cleaning becomes easier as a result.
 - ▶ Wipe **side walls with a paint finish** using a soft, clean cloth only.

- ▶ Remove all transit supports.
- ▶ Dispose of packaging material (see 4.5) .

NOTICE

- Risk of damage due to condensate!
- If your appliance is not a Side-by-Side (SBS) appliance:
- ▶ do not install the appliance directly alongside a further refrigerator/freezer.

- ▶ Align the appliance so that it stands firmly and on a level by applying the accompanying spanner to the adjustable-height feet (A) and using a spirit level.



When a Side-by-Side appliance (S...) is fitted together with a second appliance (as a SBS combination):

- ▶ Proceed according to the Side-by-Side combined fridge-freezer installation instructions. (Accessories bag of the SBS freezer/appliance with freezer compartment)

Note

- ▶ Clean the appliance (see 6.2) .

- If the appliance is installed in a very damp environment, condensate may form on the outside of the appliance.
- ▶ Always see to good ventilation at the installation site.

4.3 Changing over the door hinges

You can change over the door hinges if necessary.

NOTICE

- Risk of damage to side-by-side appliances due to condensation!
- When a side-by-side appliance (S...) is fitted together with a second appliance (as a SBS combination), the door hinges must remain as delivered.
- ▶ Do not change over the door hinges.

Ensure that the following tools are to hand:

- Torx® 25
- Torx® 15
- Screwdriver
- Cordless screwdriver, if necessary
- Second person for fitting work, if needed
- Accompanying Allen key size 2*

4.3.1 Detaching the door

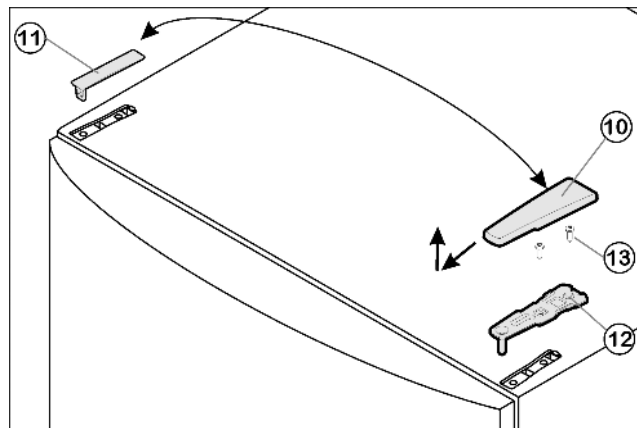


Fig. 4

- ▶ Close the door.
- ▶ Pull off the cover Fig. 4 (10) forwards and upwards.
- ▶ Lift off the cover Fig. 4 (11).

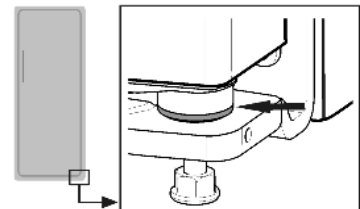
CAUTION

- Risk of injury if the door tips!
- ▶ Take good hold of the door.
 - ▶ Set down the door carefully.
 - ▶ Unscrew the upper turn hinge Fig. 4 (12)(2x Torx® 25) Fig. 4 (13) and lift it off.
 - ▶ Lift off the door and set it aside.

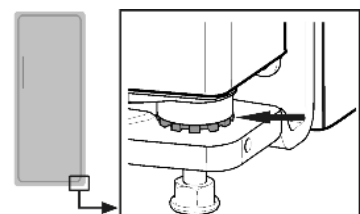
4.3.2 Distinguishing between bearing elements

Some appliances are height-adjustable, as can be noted from the bearing pin in the lower turn hinge:

- ▶ For appliances **without height adjustment**, continue with item (see 4.3.3) .



- ▶ For appliances **with height adjustment** continue with item (see 4.3.4)



Putting into operation

4.3.3 Changing the bearing parts

for appliances without height adjustment

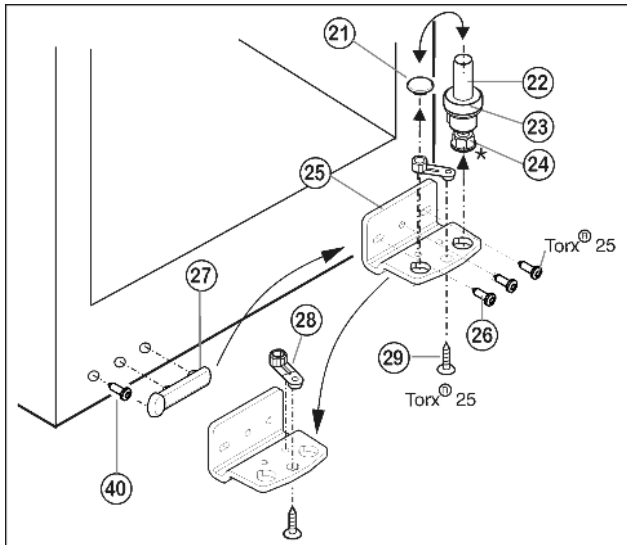


Fig. 5

- ▶ Lift out the bearing pin Fig. 5 (22) together with washer Fig. 5 (23) and adjustable-height foot* Fig. 5 (24).
- ▶ Lift off the stopper Fig. 5 (21).
- ▶ Unscrew Fig. 5 (26) the turn hinge Fig. 5 (25).
- ▶ Unscrew Fig. 5 (29) the bearing element Fig. 5 (28), transfer it to the opposite location hole of the turn hinge and screw it firmly into place.
- ▶ Carefully lift off the cover on the handle side Fig. 5 (27), undo the screw Fig. 6 (40) and transfer both to the opposite side.
- ▶ Screw the turn hinge Fig. 5 (25) firmly into place on the new hinge side, possibly using a cordless screwdriver (with 4 Nm).
- ▶ Re-insert the stopper Fig. 5 (21) into the other hole.
- ▶ Re-insert the bearing pin Fig. 5 (22) together with the washer and adjustable-height foot*. In so doing, pay attention that the locating lug points backwards

4.3.4 Changing the bearing parts

For appliances with height adjustment

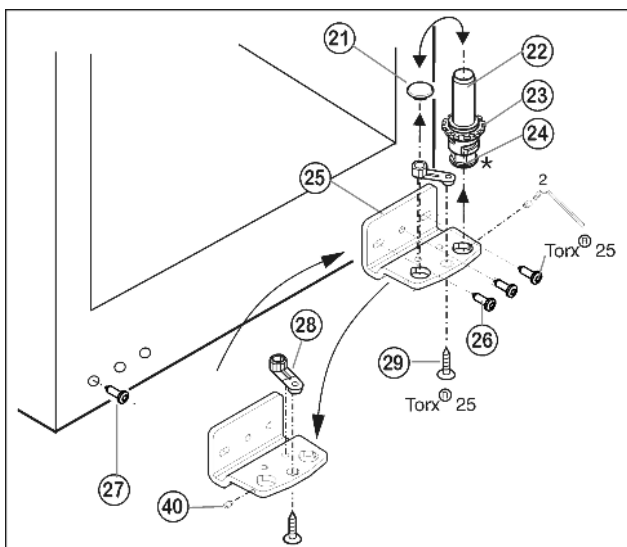


Fig. 6

- ▶ Using the accompanying Allen key, unscrew the threaded pin Fig. 6 (40) by about 1 turn.
- ▶ Turn and lift out the bearing pin Fig. 6 (22) together with the washer Fig. 6 (23) and adjustable-height foot* Fig. 6 (24).
- ▶ Lift out the stopper Fig. 6 (21).

- ▶ Unscrew Fig. 6 (26) the turn hinge Fig. 6 (25).
- ▶ Fully unscrew the threaded pin Fig. 6 (40) and screw it in on the opposite side, at the turn hinge, until it is flush outside with the turn hinge.
- ▶ Unscrew Fig. 6 (29) the bearing element Fig. 6 (28) transfer it to the opposite location hole of the turn hinge and screw it firmly into place.
- ▶ Re-insert the stopper Fig. 6 (21) into the other hole.
- ▶ Undo the screw Fig. 6 (27) and transfer it to the opposite side.
- ▶ Screw the turn hinge Fig. 6 (25) firmly into place on the new hinge side, possibly using a cordless screwdriver (with 4 Nm).
- ▶ Re-insert the bearing pin Fig. 6 (22) together with the washer and adjustable-height foot*.
- ▶ Tighten the threaded pin Fig. 6 (40).

4.3.5 Transferring the handle

- ▶ Transfer the spring clamp Fig. 7 (31): Depress the latch nose and pull the spring clamp off over it.
- ▶ Slide the spring clamp into place on the new hinge side until it clicks into place.

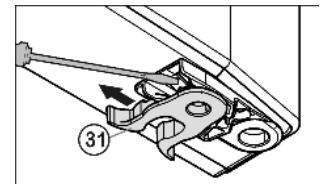


Fig. 7

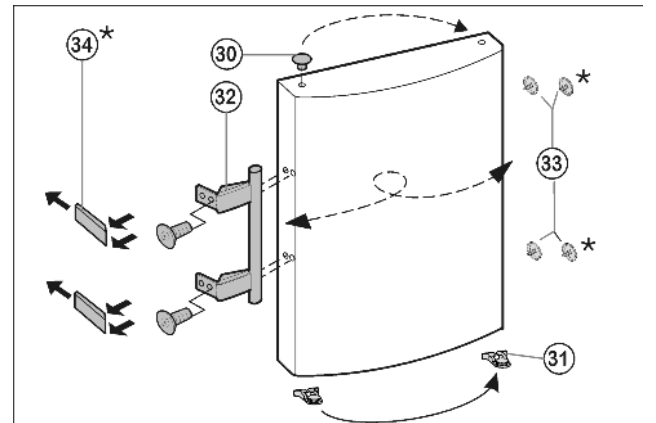


Fig. 8

- ▶ Lift the stopper Fig. 8 (33) out of the door bearing bush and transfer it.
- ▶ Dismantle the door handle Fig. 8 (32), stoppers Fig. 8 (33) and pressure plates* Fig. 8 (34) and transfer to the opposite side.
- ▶ When fitting the pressure plates on the opposite side, make sure they snap properly into place.*

4.3.6 Fitting the door

- ▶ Place the door from above onto the lower bearing pin Fig. 6 (22).
- ▶ Close the door.
- ▶ Insert the upper turn hinge Fig. 4 (12) in the door on the new hinge side.
- ▶ Screw the upper turn hinge Fig. 4 (12) firmly into place (with 4 Nm) (2x Torx 25) Fig. 4 (13). Possibly make preliminary holes with a bradawl or use a cordless screwdriver.
- ▶ Snap the cover Fig. 4 (10) and cover Fig. 4 (11) into place at the opposite side.

4.3.7 Aligning the door

- ▶ Align the door to the appliance housing by way of the two oblong holes in the bottom turn hinge Fig. 6 (25). To do so, unscrew the middle screw.

**WARNING**

Risk of injury due to the door dropping out!
If the bearing parts are not screwed into place firmly enough, the door may drop out. This may lead to severe injuries. What is more, the door may not close and therefore the appliance may fail to cool properly.

- ▶ Screw the turn hinges firmly into place with 4 Nm.
- ▶ Check all of the screws and retighten if necessary.

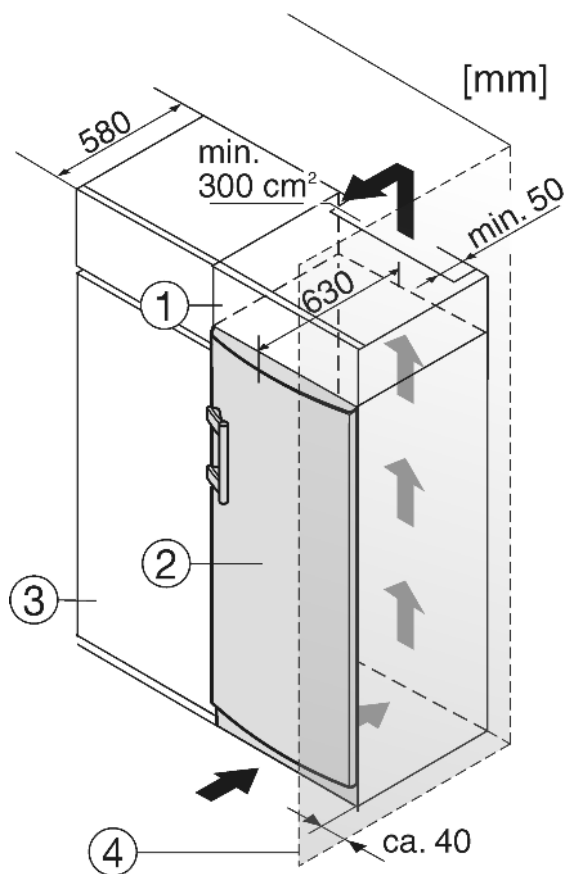
4.4 Insertion into a row of kitchen units

Fig. 9

- | | |
|-------------------|---------------------|
| (1) Stack cabinet | (3) Kitchen cabinet |
| (2) Appliance | (4) Wall |

The appliance can be inserted into a row of kitchen units. To match the appliance Fig. 9 (2) to the height of the row of units, a suitable stack cabinet Fig. 9 (1) can be fitted above the appliance.

When inserting the appliance into a row of kitchen units (max. depth 580 mm), the appliance can be installed directly next to the kitchen unit Fig. 9 (3). The appliance door projects relative to the front of the kitchen unit by 34 mm at the side and by 50 mm in the middle of the appliance. It can be opened and closed perfectly as a result.

Important for the ventilation:

- At the back of the stack cabinet there has to be a ventilation duct of at least 50 mm depth throughout the width of the stack cabinet.
- The ventilation space under the ceiling has to be at least 300 cm².
- The larger the ventilation space, the more energy-saving the appliance is in operation.

If the appliance is installed with the hinges next to a wall Fig. 9 (4), the distance between appliance and wall has to be at least 40 mm. This corresponds to the projection of the handle when the door is open.

4.5 Disposing of packaging**WARNING**

Danger of suffocation due to packing material and plastic film!
▶ Do not allow children to play with packing material.

The packaging is made of recyclable materials:

- corrugated board/cardboard
 - expanded polystyrene parts
 - polythene bags and sheets
 - polypropylene straps
 - nailed wooden frame with polyethylene panel*
- ▶ Take the packaging material to an official collecting point.

**4.6 Connecting the appliance****NOTICE**

Risk of damage to the electronic control system!
▶ Do not use stand-alone inverters (conversion of d.c. to a.c./three-phase) or energy saving plugs.

**WARNING**

Fire and overheating hazard!
▶ Do not use extension cables or multiple socket outlets.

The type of current (alternating current) and voltage at the installation site have to conform with the data on the type plate (see Appliance at a glance).
Connect the appliance only with a properly installed socket outlet with earthing contact. The socket outlet must be fused with 10 A or higher.

It must be easily accessible so that the appliance can be quickly disconnected from the supply in an emergency. It must be outside the area of the rear of the appliance.

- ▶ Check the electrical connection.
- ▶ Plug in the power plug.

**4.7 Switching on the appliance**

Put the appliance into operation about 2 hours before first loading food to be frozen.

Do not load food to be frozen before the temperature display reads -18 °C.

- ▶ Press On/Off button Fig. 3 (7).
- ▷ The interior light is on when the door is open.

5 Control**5.1 Brightness of the temperature display**

You can adjust the brightness of the temperature display to the light conditions of the room in which the appliance is installed.

5.1.1 Adjusting the brightness

The brightness is adjustable between h0 (no illumination) and h5 (maximum luminosity).

- ▶ To activate the setting mode: press the SuperFrost button Fig. 3 (8) for about 5 s.
- ▷ The display indicates c.
- ▷ The menu symbol Fig. 3 (3) shines.
- ▶ Using the Up setting button Fig. 3 (1) or Down setting button, Fig. 3 (2), select h.

Control

- ▶ To confirm: briefly press the SuperFrost button *Fig. 3 (8)*.
- ▶ To make the display brighter: press Up button *Fig. 3 (1)*.
- ▶ To make the display darker: press Down button *Fig. 3 (2)*.
- ▶ To confirm: press SuperFrost button *Fig. 3 (8)*.
- ▷ The brightness is adjusted to the new value.
- ▶ To deactivate the set-up mode: press On/Off button *Fig. 3 (7)*.



-or-

- ▶ Wait for 5 minutes.
- ▷ The temperature is indicated again in the temperature display.

5.2 Child proofing

The child-proofing function enables you to make sure that the appliance is not inadvertently switched off by playing children.

5.2.1 Setting the child lock function

- ▶ To activate the setting mode: press SuperFrost button *Fig. 3 (8)* for about 5 s.
- ▷ The display indicates *c*.
- ▷ The menu symbol *Fig. 3 (3)* shines.
- ▶ Briefly press the SuperFrost button *Fig. 3 (8)* to confirm. When *c!* is indicated in the display:
- ▶ To activate the child lock, briefly press the SuperFrost button *Fig. 3 (8)*.



- ▷ The child lock symbol *Fig. 3 (11)* shines. *c* flashes in the display. When *c!* is indicated in the display:
- ▶ to deactivate the child lock, briefly press the SuperFrost button *Fig. 3 (8)*.
- ▷ The child lock symbol *Fig. 3 (11)* goes out. *c* flashes in the display.
- ▶ To deactivate the set-up mode: press On/Off button *Fig. 3 (7)*.

-or-

- ▶ Wait for 5 minutes.
- ▷ The temperature is indicated again in the temperature display.

5.3 Door alarm

If the door is open longer than 60 s, the audible alarm sounds.

The audible alarm is automatically silenced when the door is closed.

5.3.1 Muting the door alarm

The audible alarm can be muted when the door is open. The sound switch-off function is active as long as the door is left open.

- ▶ Press alarm button *Fig. 3 (9)*.
- ▷ The door alarm is silenced.

5.4 Temperature alarm

The audible alarm sounds if the freezer temperature is not cold enough.

The temperature display and the alarm symbol *Fig. 3 (4)* flash at the same time.

The cause of the temperature being too high may be:

- warm fresh food was placed inside
- too much warm ambient air flowed in when rearranging and removing food
- power failure for some time
- the appliance is faulty

The audible alarm is automatically silenced, the alarm symbol *Fig. 3 (4)* goes out and the temperature display stops flashing when the temperature is sufficiently cold again.

If the alarm status persists: (see Malfunction).

5.4.1 Muting the temperature alarm

The audible alarm can be muted. When the temperature is sufficiently cold again, the alarm function is active again.

- ▶ Press alarm button *Fig. 3 (9)*.
- ▷ The audible alarm is silenced.

5.5 Freezing food

The rating plate indicates the maximum quantity of fresh food you can freeze within 24 hours (see Appliance at a glance) under "Freezing capacity ... kg/24h".

The maximum load of frozen food for the drawers is 25 kg each and for the shelves 35 kg each.



CAUTION

Risk of injury due to broken glass!

Bottles and cans containing drinks may burst when being frozen. This applies particularly to sparkling drinks.

- ▶ Do not freeze bottles and cans containing drinks!

In order that the food is rapidly frozen through to the core, do not exceed the following quantities per pack:

- Fruit, vegetables up to 1 kg
- Meat up to 2.5 kg
- ▶ Pack the food in portions in freezer bags, reusable plastic, metal or aluminium containers.

5.6 Thawing food

- at room temperature
- in a microwave oven
- in a conventional or fan oven
- ▶ Food once thawed should be re-frozen only in exceptional cases.

5.7 Setting the temperature

The appliance is pre-set for normal operation.

The temperature can be set between -14 °C and -28 °C, the recommended temperature is -18 °C.

- ▶ To set the temperature higher: press Up button *Fig. 3 (1)*.
- ▶ To set the temperature lower: press Down button *Fig. 3 (2)*.
- ▷ When the button is pressed the first time, the previous value is indicated in the temperature display.
- ▶ To change the temperature in 1 °C steps: briefly press the button.

-or-

- ▶ To change the temperature continuously: hold down the button.

- ▷ The value is displayed flashing during the setting operation.
- ▷ The actual temperature is displayed about 5 s after the last press of a button. The temperature slowly adjusts to the new value.

5.8 SuperFrost

With this function you can freeze fresh food quickly through to the core. The appliance operates with maximum refrigeration. The noise of the refrigeration unit may be temporarily louder as a result.

The maximum amount of fresh food which can be frozen in 24 h is indicated on the type plate under "freezing capacity ... kg/24h".

24h". This amount varies according to the model and climate rating.

You have to activate SuperFrost in good time, depending on how much fresh food is to be frozen: about 6 hours before placing the food inside in case of small amounts and about 24 hours in advance in case of the maximum amount of food to be frozen.

You do not have to activate SuperFrost in the following cases:

- when placing frozen food in the freezer
- when freezing up to approx. 2 kg fresh food daily

5.8.1 Freezing with SuperFrost

- ▶ Briefly press the SuperFrost button *Fig. 3 (8)* once.
 - ▷ The SuperFrost symbol *Fig. 3 (5)* shines.
 - ▷ The freezer temperature drops, the appliance operates with maximum refrigerating performance.
- For a small amount of food:
- ▶ wait about 6 h.
 - ▶ For maximum freezing performance, put the food in the deep, lower drawers.
- For the maximum amount of food:
- ▶ wait about 24 h.
 - ▶ Placed wrapped food straight on the lower shelves and, once frozen, put it into the drawers.
- ▷ SuperFrost is automatically deactivated. Depending on the quantity placed inside, after 30 h at the earliest, 65 h at the latest.
 - ▷ Freezing is concluded.
 - ▷ The SuperFrost symbol *Fig. 3 (5)* goes out.
 - ▷ The appliance continues to operate in the energy-saving, normal mode.

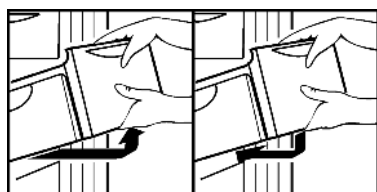
5.9 Drawers

Note

The energy consumption increases and the cooling performance decreases if there is insufficient ventilation.

For appliances with NoFrost:

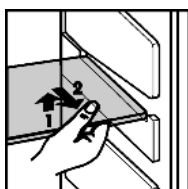
- ▶ Leave the bottom drawer in the appliance!
- ▶ Always keep the air slits of the fan free at the rear wall!



- ▶ To store frozen food directly on the shelves: pull the drawer forwards and lift it out.

5.10 Shelves

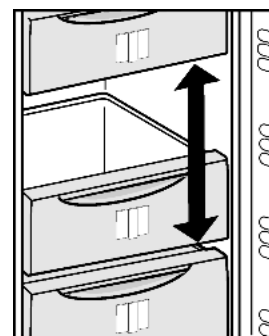
- ▶ To remove the shelf: lift up at the front and pull out.
- ▶ To put the shelf back: simply push in as far as it will go.



5.11 VarioSpace

Apart from being able to remove the drawers, you can also remove the shelves, creating space for large items of frozen food. Poultry, meat, large pieces of game and high bakery products can be frozen in one piece and prepared.

- ▶ The maximum load of frozen food for the drawers is 25 kg each and for the shelves 35 kg each.



GB

5.12 Information system

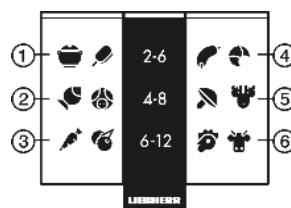


Fig. 10

- | | |
|---------------------------------|------------------------|
| (1) Ready-made meals, ice cream | (4) Sausages, bread |
| (2) Pork, fish | (5) Game, mushrooms |
| (3) Fruit, vegetables | (6) Poultry, beef/veal |

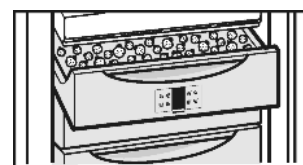
The figures indicate the storage time in months for several types of frozen food in each case. Storage times given are guide times.

5.13 Drawer for herbs and berries

In the drawer for herbs and berries you can freeze, berries, herbs, vegetables and other small items of food without them sticking together. Items being frozen will largely retain their shape, and it will be easier to remove exactly the right quantity later on.

5.13.1 Using the special drawer for herbs and berries

- ▶ Spread the items out loosely in the special drawer for herbs and berries.
- ▶ Allow the food to freeze through for 10 to 12 h.
- ▶ Transfer the frozen food to freezer bags or containers.
- ▶ Store freezer bags or containers in a drawer.
- ▶ To thaw the items, spread them out loosely again.

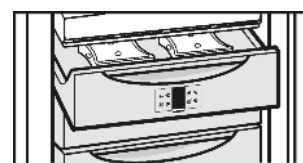


5.14 Cold storage accumulators

The cold storage accumulators prevent the temperature from rising too fast in the event of power failure.

5.14.1 Using cold storage accumulators

- ▶ Place the cold storage accumulators in the special drawer for herbs and berries to save space.
- ▶ Place the frozen cold storage accumulators on the frozen food in the upper front area of the freezer compartment.



Maintenance

6 Maintenance

6.1 Defrosting with NoFrost

The NoFrost system automatically defrosts the appliance.

The moisture condenses on the evaporator, is periodically defrosted and evaporates.

- ▶ The appliance does not have to be manually defrosted.

6.2 Cleaning the appliance

Before cleaning:



CAUTION

Risk of injury and damage as a result of hot steam!
Hot steam may damage the surfaces and cause burns.

- ▶ Do not use any steam cleaners!

NOTICE

Incorrect cleaning damages the appliance!

- ▶ Do not use cleaning agents in concentrated form.
- ▶ Do not use any scouring or abrasive sponges or steel wool.
- ▶ Do not use any cleaning agents containing sand, chloride, chemicals or acid.
- ▶ Do not use chemical solvents.
- ▶ Do not damage or remove the type plate on the inside of the appliance. It is important for the customer service.
- ▶ Do not pull off, bend or damage cables or other components.
- ▶ Do not allow any cleaning water to enter the drain channel, ventilation grille or electrical parts.

- ▶ Empty the appliance.
- ▶ Pull out the plug.

- Use soft cleaning cloths and a multi-purpose cleaning agent with neutral pH value.
- Only use food compatible cleaning and care agents on the inside of the appliance.
- ▶ Regularly clean ventilation grilles.
- ▷ Dust deposits increase energy consumption.



Outside surfaces and interior:

Cleaning inner and outer plastic surfaces:

- ▶ Clean surfaces by hand with lukewarm water and a little washing-up liquid.

NOTICE

The stainless steel doors are provided with a high-quality surface coating and must not be treated using the accompanying care product.



Otherwise the surface coating will be affected.

- ▶ Wipe the coated **door surfaces** using a soft, clean cloth only. In case of stubborn dirt, use a little water or a neutral cleaning agent. A microfibre cloth can be optionally used.
- ▶ If the **stainless steel side walls** are dirty, clean them using a commercially available stainless steel cleaning agent. Then evenly apply the accompanying stainless steel care product, making strokes in the direction of the grain.
- ▶ Wipe **side walls with a paint finish** using a soft, clean cloth only. In case of stubborn dirt, use a little water or a neutral cleaning agent. A microfibre cloth can be optionally used.

Do not apply stainless steel cleaning agent to glass or plastic surfaces to prevent them from being scratched. Darker areas at the beginning and quite an intensive colour of the stainless steel surface are normal.

Items of equipment:

- ▶ Clean items of equipment by hand with lukewarm water and a little washing-up liquid.

After cleaning:

- ▶ Wipe dry the appliance and items of equipment.
- ▶ Connect the appliance and switch it on again.
- ▶ Switch on SuperFrost (see 5.8) .
When the temperature is sufficiently cold:
- ▶ Put the food back inside.

6.3 Customer service

First check whether you can correct the fault yourself by reference to the list (see Malfunction). If this is not the case, please contact the customer service whose address is given in the enclosed customer service list.



WARNING

Risk of injury if repair work is not carried out professionally!

- ▶ Have any repairs and action - not expressly specified - on the appliance and mains cable carried out by service personnel only. (see Maintenance)

- ▶ Read the appliance designation

Fig. 11 (1), service No. *Fig. 11 (2)* and serial No. *Fig. 11 (3)* off the type plate located inside the appliance on the left-hand side.

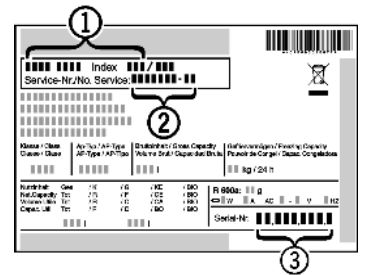


Fig. 11

- ▶ Notify the customer service, specifying the fault, appliance designation *Fig. 11 (1)*, service No. *Fig. 11 (2)* and serial No. *Fig. 11 (3)*.
- ▷ This will help us to provide you with a faster and more accurate service.
- ▶ Keep the appliance closed until the customer service arrives.
- ▷ The food will stay cool longer.
- ▶ Pull out the mains plug (not by pulling the connecting cable) or switch off the fuse.

7 Malfunction

Your appliance is designed and manufactured for a long life span and reliable operation. If a malfunction nonetheless occurs during operation, check whether it is due to a handling error. In this case you will have to be charged for the costs incurred, even during the warranty period. You may be able to rectify the following faults yourself:

Appliance does not work.

- The appliance is not switched on.
- ▶ Switch on the appliance.
- The power plug is not properly inserted in the wall socket.
- ▶ Check power plug.
- The fuse of the wall socket is not in order.
- ▶ Check fuse.

The compressor runs for a long time.

- The compressor switches to a low speed when little cold is needed. Although the running time is increased as a result, energy is saved.
- ▶ This is normal in energy-saving models.
- SuperFrost is activated.
- ▶ The compressor runs for longer in order to rapidly cool the food. This is normal.

The inverter regularly flashes every 15 seconds*.

- The inverter is equipped with a diagnostic LED.
- ▶ The flashing is normal.

Excessive noise.

- Speed-controlled* compressors may produce varying running noise due to different speed steps.
- ▶ The sound is normal.

A bubbling and gurgling noise.

- This noise comes from the refrigerant flowing in the refrigeration circuit.
- ▶ The sound is normal.

A quiet clicking noise.

- The noise is produced whenever the refrigeration unit (motor) automatically switches on or off.
- ▶ The sound is normal.

A hum. It is briefly a little louder when the refrigeration unit (the motor) switches on.

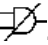
- The refrigeration increases automatically when the SuperFrost, function is activated, fresh food has just been placed in the appliance or the door has been left open for a while.
- ▶ The sound is normal.
- The ambient temperature is too high.
- ▶ Solution: (see 1.2)

Vibratory noise.

- The appliance is not standing firmly on the floor. As a result, adjoining units or objects are set into vibration by the running refrigeration unit.
- ▶ Move the appliance away a little and align it using the adjustable feet.

The temperature display indicates: F0 to F9

- There is a fault.
- ▶ Contact the customer service. (see Maintenance).

The temperature display indicates power failure . The warmest temperature reached during the power failure appears in the temperature display.

- The freezer temperature rose too high over the last hours or days due to a power failure or power interruption. When the power interruption is over, the appliance will continue to operate in the last temperature setting.
- ▶ To cancel the display of the warmest temperature: press alarm button *Fig. 3 (9)*.
- ▶ Check the quality of the food. Do not consume spoiled food. Do not re-freeze thawed food.

DEMO shines in the temperature display.

- The demo mode is activated.
- ▶ Contact the customer service. (see Maintenance).

The outside surfaces of the appliance are warm.

- The heat of the refrigeration circuit is used to prevent condensate from forming.
- ▶ This is normal.

The temperature is not cold enough.

- The door of the appliance is not properly closed.
- ▶ Close the door of the appliance.
- Insufficient ventilation.
- ▶ Clear ventilation grilles.
- The ambient temperature is too high.
- ▶ Solution: (see 1.2) .
- The appliance was opened too frequently or for too long.
- ▶ Wait until the appliance reaches the required temperature itself. If not, contact the customer service. (see Maintenance).
- Too much fresh food was placed inside without SuperFrost.
- ▶ Solution: (see 5.8)
- The temperature is incorrectly set.
- ▶ Set to a colder temperature and check after 24 h.

- The appliance is too close to a heat source.

- ▶ Solution: (see Putting into operation).

The interior light is not on.

- The appliance is not switched on.
- ▶ Switch on the appliance.
- The door was open longer than 15 min.
- ▶ The interior light automatically switches off if the door has been open for about 15 min.
- The LED lighting is defective or the cover is damaged:

**WARNING**

Risk of injury due to electric shock!

Live parts are located under the cover.

- ▶ Have the LED interior light changed or repaired only by the customer service or by specialized personnel trained for the purpose.

**WARNING**

Danger of injury due to laser radiation, class 1M.

- ▶ Do not look inside when the cover is open.

8 Decommissioning

8.1 Switching off the appliance

- ▶ Press On/Off button *Fig. 3 (7)* for about 2 s.
- ▷ The temperature display is dark.

8.2 Taking the appliance out of service

- ▶ Empty the appliance.
- ▶ Pull out the power plug.
- ▶ Clean the appliance (see 6.2) .



- ▶ Leave the door open to prevent odour.

9 Disposing of the appliance

The appliance contains some reusable materials and should be disposed of properly - not simply with unsorted household refuse. Appliances which are no longer needed must be disposed of in a professional and appropriate way, in accordance with the current local regulations and laws.



When disposing of the appliance, ensure that the refrigeration circuit is not damaged to prevent uncontrolled escape of the refrigerant it contains (data on type plate) and oil.

- ▶ Disable the appliance.
- ▶ Pull out the plug.
- ▶ Cut through the connecting cable.

Free Manuals Download Website

<http://myh66.com>

<http://usermanuals.us>

<http://www.somanuals.com>

<http://www.4manuals.cc>

<http://www.manual-lib.com>

<http://www.404manual.com>

<http://www.luxmanual.com>

<http://aubethermostatmanual.com>

Golf course search by state

<http://golfingnear.com>

Email search by domain

<http://emailbydomain.com>

Auto manuals search

<http://auto.somanuals.com>

TV manuals search

<http://tv.somanuals.com>