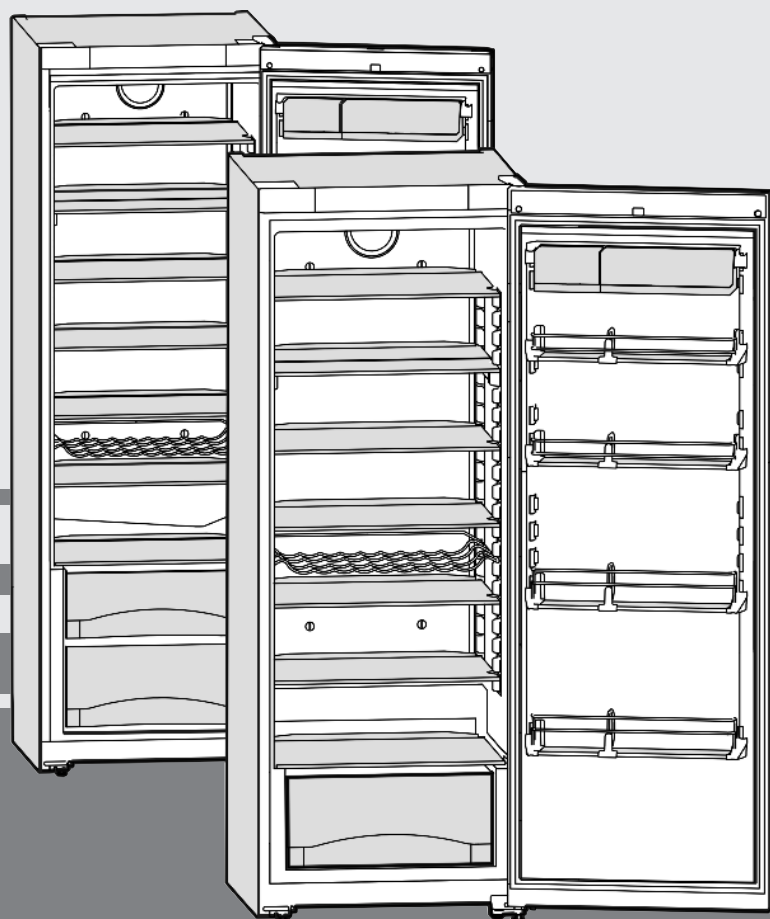


Operating and installation instructions

Upright refrigerator

GB



120309 **7084442 - 00**

SKes/Sk/K/Kes 36...42 ... 6

LIEBHERR

Appliance at a glance

Contents

1 Appliance at a glance	2
1.1 Range of appliance use.....	2
1.2 Conformity.....	2
1.3 Description of appliance and equipment.....	2
1.4 External dimensions of the appliance.....	3
1.5 Net@Home.....	3
2 General safety information	3
3 Controls and displays	4
3.1 Operating and control elements.....	4
3.2 Temperature display.....	4
4 Putting into operation	4
4.1 Changing over the door hinges.....	4
4.2 Insertion into a row of kitchen units.....	5
4.3 Transporting the appliance.....	5
4.4 Installing the appliance.....	5
4.5 Disposing of packaging.....	6
4.6 Connecting the appliance.....	6
4.7 Switching on the appliance.....	6
5 Control	7
5.1 Saving energy.....	7
5.2 Brightness of the temperature display.....	7
5.3 Child proofing.....	7
5.4 Door alarm.....	7
5.5 Food refrigeration.....	7
5.6 Setting the temperature in the refrigerator compartment.....	7
5.7 SuperCool.....	7
5.8 Fan.....	8
5.9 Relocating the shelves.....	8
5.10 Using the sectioned shelf.....	8
5.11 Moving the storage rack.....	8
5.12 Removing the bottle holder.....	8
5.13 Vegetable bins.....	8
6 Maintenance	9
6.1 Cleaning the appliance.....	9
6.2 Changing the interior light with bulb.....	9
6.3 Changing the interior light with bulb.....	9
6.4 Customer service.....	10
7 Malfunction	10
8 Decommissioning	11
8.1 Switching off the appliance.....	11
8.2 Taking the appliance out of service.....	11
9 Disposing of the appliance	11

The manufacturer works constantly on the further development of all the types and models. Therefore please understand that we have to reserve the right to make design, equipment and technical modifications.

To get to know all the benefits of your new appliance, please read the information contained in these instructions carefully.

The instructions apply to several models. Differences may occur. Text relating only to specific appliances is marked with an asterisk (*).

Instructions for action are marked with a ►, the results of action are marked with a ▷.

1 Appliance at a glance

1.1 Range of appliance use

The appliance is suited only for cooling food.

In the case of commercial food cooling, the pertinent statutory regulations have to be observed. The appliance is not suited for storing and cooling pharmaceuticals, blood plasma, laboratory

preparations or similar substances and products subject to the Medical Devices Directive 2007/47/EC. Any misuse of the appliance may result in damage to or spoilage of the stored goods. Furthermore, the appliance is unsuited for use in areas exposed to an explosion hazard.

The appliance is set to operate within specific ambient temperature limits according to its climate rating. The correct climate rating for your appliance is indicated on the type plate.

Note

► Compliance with the ambient temperatures indicated is required, otherwise the cooling performance is reduced.

Climate rating	for ambient temperatures of
SN	10 °C to 32 °C
N	16 °C to 32 °C
ST	16 °C to 38 °C
T	16 °C to 43 °C

1.2 Conformity

The refrigerant circuit has been tested for leaks. The appliance complies with current safety regulations and EC directives 2006/95/EC and 2004/108/EC.

1.3 Description of appliance and equipment

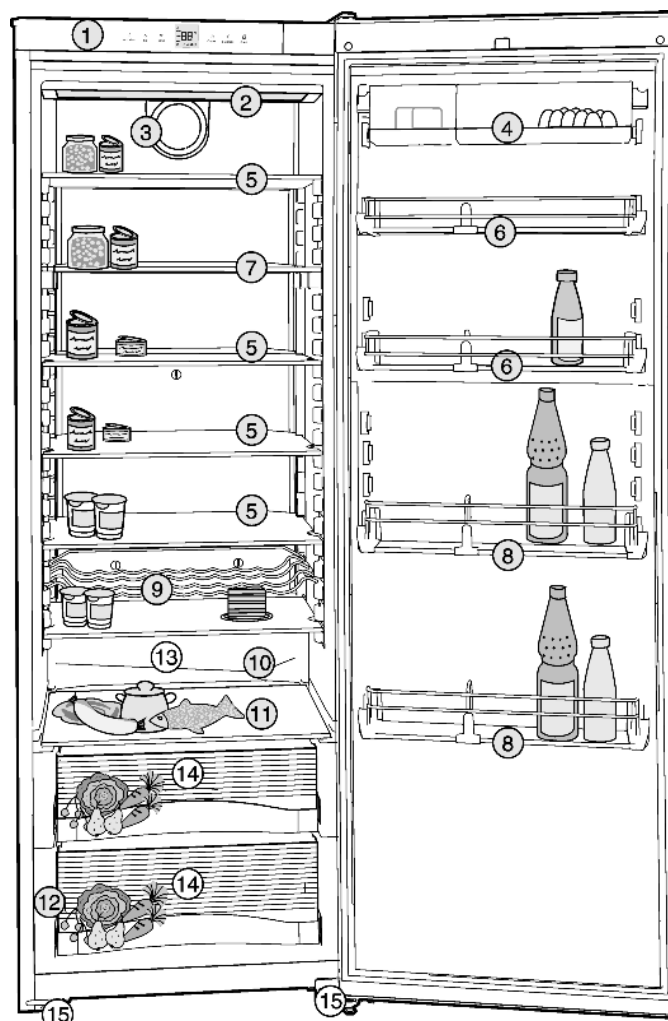


Fig. 1

(1) Operating panel

(9) Bottle shelf

- (2) Ceiling light
- (3) Fan
- (4) Box shelves, removable
- (5) Glass shelves, relocatable
- (6) Door rack for tinned food, relocatable
- (7) Glass shelf, sectioned, relocatable
- (8) Door rack for bottles, relocatable
- (10) Defrost water channel
- (11) Glass shelf
- (12) Type plate
- (13) Coldest zone
- (14) Vegetable compartment
- (15) Height-adjustable foot *

- In case of a fault, pull out the mains plug (not by pulling the connecting cable) or switch off the fuse.
- Have any repairs to or intervention in the appliance, and any change of the mains power cable, carried out by the customer service only or by other specialised personnel trained for the purpose.
- When disconnecting the appliance from the supply, always take hold of the plug. Do not pull the cable.
- Install and connect the appliance only as instructed.
- Please keep these instructions in a safe place and pass them on to any subsequent owners.

1.4 External dimensions of the appliance

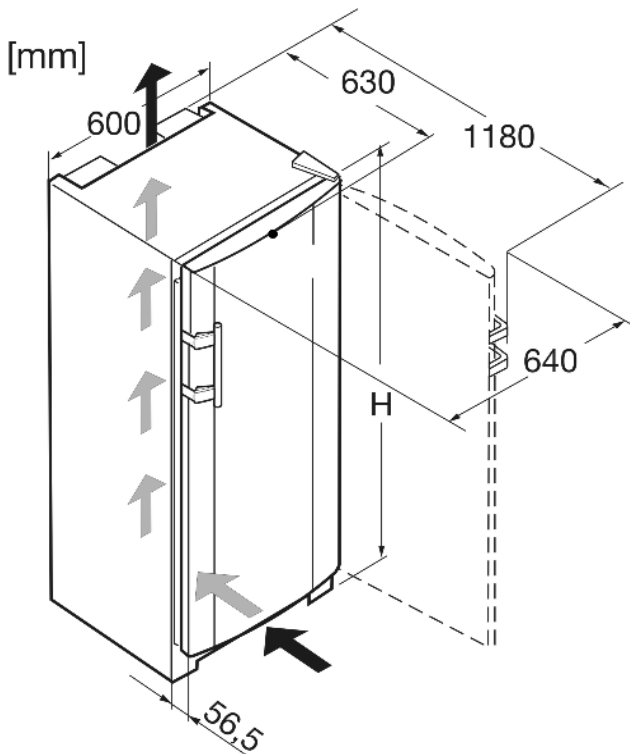


Fig. 2

Designation	H (mm)
K 36	1655
K 42	1852

1.5 Net@Home

The appliance can be provided with the retrofit modules for the HomeDialog system or the serial interface (RS 232), depending on model and equipment. The modules are available from your specialist dealer.

You will find more information on the internet at www.liebherr.com.



Fire hazard:

- The refrigerant R 600a is environmentally friendly but flammable. Escaping refrigerant may ignite.
 - Do not damage the refrigerant circuit pipes.
 - Do not allow naked flames or ignition sources to enter the appliance.
 - Do not use any electrical appliances in the interior (e.g. steam cleaners, heaters, ice cream maker etc.).
 - If refrigerant escapes: eliminate naked flames or sources of ignition from the vicinity. Pull out the power plug. Ventilate the area well. Notify customer service.
- Do not store explosives or sprays using combustible propellants such as butane, propane, pentane, etc. in the appliance. Respective spray cans can be identified by reference to the contents printed on the can or by a flame symbol. Gases possibly escaping may ignite due to electrical components.
- Do not place any burning candles, lamps or other items with naked flames on or in the appliance.
- Only store high-percentage alcohol in tightly sealed, upright containers. Alcohol possibly escaping may ignite due to electrical components.

Danger of tipping and falling:

- Do not misuse the plinth, drawers, doors etc. as a step or for support. This applies particularly to children.

Danger of food poisoning:

- Do not consume food which has been stored too long.

Danger of frostbite, numbness and pain:

- Avoid lasting skin contact with cold surfaces or refrigerated/frozen food or take protective steps, e.g. wear gloves. Do not consume ice cream, water ice or ice cubes immediately and do not consume them too cold.

Please observe the specific information in the other sections:

	DANGER	identifies a situation involving direct danger which, if not obviated, may result in death or severe bodily injury.
	WARNING	identifies a dangerous situation which, if not obviated, may result in death or severe bodily injury.
	CAUTION	identifies a dangerous situation which, if not obviated, may result in minor or medium bodily injury.
	NOTICE	identifies a dangerous situation which, if not obviated, may result in damage to property.
	Note	identifies useful information and tips.

2 General safety information

Danger for the user:

- This appliance is not designed for persons (including children) with physical, sensory or mental impairment or persons not having sufficient experience and knowledge, unless they are instructed in the use of the appliance and are initially supervised by a person responsible for their safety. Keep children under supervision to ensure they do not play with the appliance.

Controls and displays

3 Controls and displays

3.1 Operating and control elements

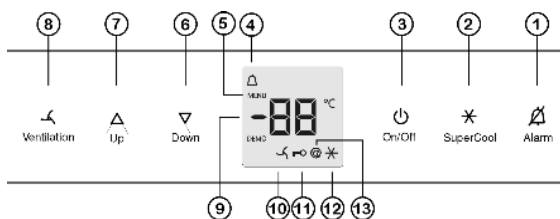


Fig. 3

- | | |
|-------------------------|----------------------------|
| (1) Alarm button | (8) Fan button |
| (2) SuperCool button | (9) Temperature display |
| (3) On/Off button | (10) Fan symbol |
| (4) Alarm symbol | (11) Child-proofing symbol |
| (5) Menu symbol | (12) SuperCool symbol |
| (6) Down setting button | (13) Net@Home symbol |
| (7) Up setting button | |

3.2 Temperature display

The following are displayed in normal operation:

- the average cooling temperature

The following displays indicate malfunction. Possible causes and corrective action (see Malfunction).

- F0 to F9

4 Putting into operation

4.1 Changing over the door hinges

You can change over the door hinges if necessary.

NOTICE

Risk of damage to side-by-side appliances due to condensation!
When a Side-by-Side appliance (S...) is fitted together with a second appliance (as a SBS combination), the door hinges must remain as delivered.

- ▶ Do not change over the door hinges.

Ensure that the following tools are to hand:

- Torx 25
- Torx 15
- Screwdriver
- Cordless screwdriver, if necessary
- Second person for fitting work, if needed

4.1.1 Detaching the door

Note

- ▶ Remove any food from the door racks before removing the door, so that no food falls out.

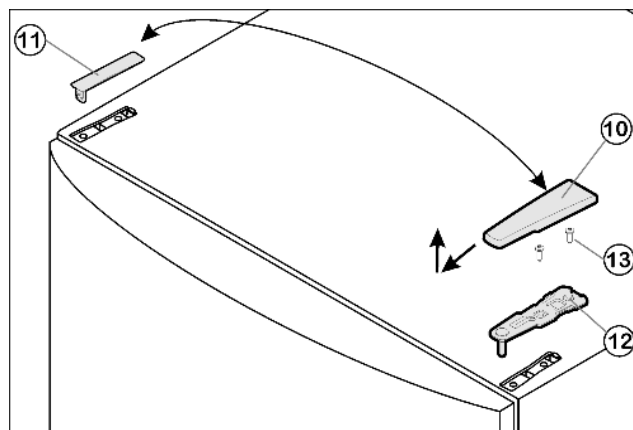


Fig. 4

- ▶ Close the door.
- ▶ Pull off the cover Fig. 4 (10) forwards and upwards.
- ▶ Lift off the cover Fig. 4 (11).



CAUTION

Risk of injury if the door tips!

- ▶ Take good hold of the door.
- ▶ Set down the door carefully.

- ▶ Unscrew the upper turn hinge Fig. 4 (12) (2 Torx 25) Fig. 4 (13) and raise it for removal.
- ▶ Lift up the door and set it aside.

4.1.2 Changing bearing parts

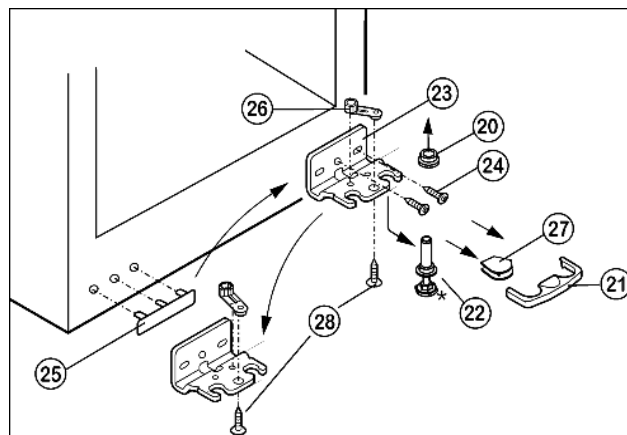


Fig. 5

- ▶ Draw the safety lock Fig. 5 (21) forwards for removal.
- ▶ Remove the cover Fig. 5 (27).*
- ▶ Fully retract the adjustable-height foot Fig. 5 (22).
- ▶ If necessary, tip the appliance back a little with the assistance of a second person for removal of the bearing pin.
- ▶ Pull out the bearing pin Fig. 5 (22) downwards and forwards. In so doing, pay attention to the hinge bush Fig. 5 (20).
- ▶ Unscrew the turn hinge Fig. 5 (23) (2 Torx 25) Fig. 5 (24).
- ▶ Unscrew the bearing part Fig. 5 (26) (1 Torx 25), Fig. 5 (28), transfer it to the opposite hole in the turn hinge and screw it down again.
- ▶ Carefully lift off and transfer the cover Fig. 5 (25) on the handle side.
- ▶ Screw down the turn hinge Fig. 5 (23) on the new hinge side, possibly with the aid of a cordless screwdriver, through the outer oblong hole and round hole.

Note

- ▶ If necessary, e.g. to make up for any unevenness in the floor, the second oblong hole can be used instead of the round hole for the screw fitting.

- ▶ Tip the appliance back a little again and re-insert the bearing pin Fig. 6 (22). The notch has to point forwards.
- ▶ Place the cover Fig. 5 (27) on the opposite side.*

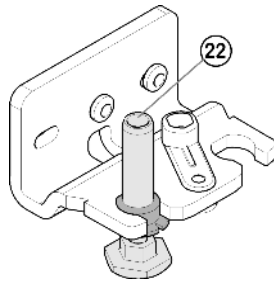


Fig. 6

4.1.5 Aligning the door

- ▶ Transfer the middle screw on the lower turn hinge Fig. 5 (23) into the free oblong hole.
- ▶ Align the door to the appliance housing by way of the two oblong holes in the lower turn hinge Fig. 5 (23).
- ▶ Tighten the screws.

4.2 Insertion into a row of kitchen units

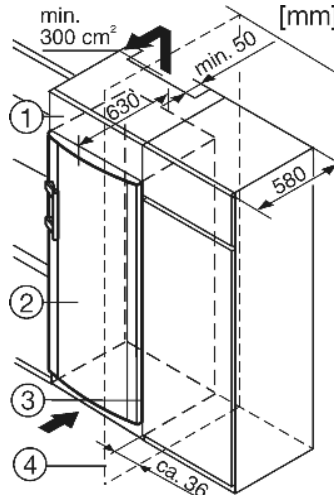


Fig. 8

- (1) Stack cabinet
- (2) Appliance
- (3) Kitchen cabinet
- (4) Wall

The appliance can be inserted into a row of kitchen units. To match the appliance Fig. 8 (2) to the height of the row of units, a suitable stack cabinet Fig. 8 (1) can be fitted above the appliance.

When inserting the appliance into a row of standard kitchen units (max. depth 580 mm), the appliance can be installed directly next to the kitchen unit Fig. 8 (3). The appliance door projects relative to the front of the kitchen unit by 34 mm at the side and by 50 mm in the middle of the appliance. It can be opened and closed perfectly as a result.

Important for the ventilation:

- At the back of the stack cabinet there has to be a ventilation duct of at least 50 mm depth throughout the width of the stack cabinet.
- The ventilation space under the ceiling has to be at least 300 cm².
- The larger the ventilation space, the more energy-saving the appliance is in operation.

If the appliance is installed with the hinges next to a wall Fig. 8 (4), the distance between appliance and wall has to be at least 36 mm. This corresponds to the projection of the handle when the door is open.

4.3 Transporting the appliance



CAUTION

Risk of injury and danger of damage as a result of incorrect transport!

- ▶ Transport the appliance in a packed condition.
- ▶ Transport the appliance upright.
- ▶ Do not transport the appliance without assistance.

4.4 Installing the appliance

In the event that the appliance is damaged, contact the supplier immediately before connecting to the mains.

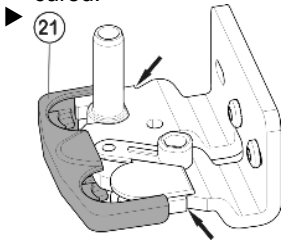
The floor at the site must be flat and level.

Do not install the appliance in a location where it is exposed to direct radiation of the sun, next to a cooker, heater and similar.

CAUTION

Risk of injury if the door tips!

- ▶ The safety lock (21) has to engage with the turn hinge at the side so that the bearing pin and therefore the door are secured.



- ▶ Snap the safety lock (21) onto the turn hinge again.
- ▶ Put on the hinge bush Fig. 5 (20).

4.1.3 Transferring the handle

- ▶ Disengage the spring clip Fig. 7 (34) from the door and transfer it to the new hinge side.
- ▶ Lift the stopper Fig. 7 (30) out of the door bearing bush and transfer it.

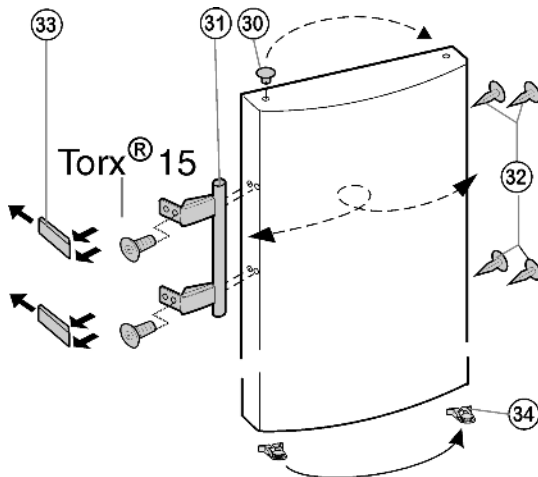


Fig. 7

- ▶ Detach door handle Fig. 7 (31), stoppers Fig. 7 (32) and pressure plates Fig. 7 (33) plates and transfer to the opposite side
- ▶ When fitting the pressure plates at the opposite side, pay attention that they engage properly.

4.1.4 Fitting the lower door

- ▶ Place the door from above onto the lower bearing pin Fig. 5 (22).
- ▶ Close the door.
- ▶ Insert the upper turn hinge Fig. 4 (12) in the door on the new hinge side.
- ▶ Screw down the upper turn hinge Fig. 4 (12) (2 Torx 25) Fig. 4 (13). Possibly make preliminary holes with a bradawl or use a cordless screwdriver.
- ▶ Snap the cover Fig. 4 (10) and cover Fig. 4 (11) into place at the opposite side.

Putting into operation

Always install the appliance directly against the wall.

Do not install the appliance without assistance.

Standard EN 378 specifies that the room in which you install your appliance must have a volume of 1 m² per 8 g of R 600a refrigerant used in the appliance. If the room in which the appliance is installed is too small, a flammable gas-air mixture may form in the event of a leakage in the refrigeration circuit. The quantity of refrigerant used in your appliance is indicated on the type plate on the inside of the appliance.



WARNING

Fire hazard due to dampness!

If live parts or the mains lead become damp this may cause short circuits.

- ▶ The appliance is designed for use in enclosed areas. Do not operate the appliance outdoors or in areas where it is exposed to splash water or damp conditions.



WARNING

Fire hazard due to refrigerant!

The refrigerant R 600a is environmentally friendly but flammable. Escaping refrigerant may ignite.

- ▶ Do not damage the piping of the refrigeration circuit.



WARNING

Fire hazard and danger of damage!

- ▶ Do not place appliances emitting heat e.g. microwaves, toasters etc. on the appliance!



WARNING

Fire hazard and risk of damage due to blocked ventilation grille!

- ▶ Always keep the ventilation grille free. Always ensure that the appliance is properly ventilated.

- ▶ Detach the connecting cable from the rear of the appliance, removing the cable holder at the same time because otherwise there will be vibratory noise!
- ▶ Remove the protective film from the outside of the appliance.
- ▶ Evenly apply an agent for care of stainless steel, wiping in the direction of the grain.
- ▷ Subsequent cleaning becomes easier as a result.

NOTICE

The stainless steel doors have a high-quality surface coating and must not be cleaned with the accompanying care product.

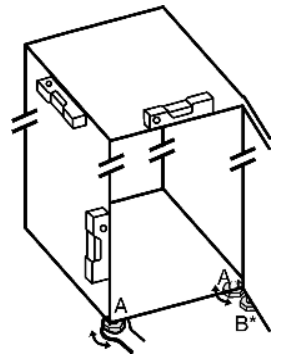


Otherwise the surface coating will be affected.

- ▶ Wipe the coated **door surfaces** using a soft, clean cloth only.
- ▶ Apply a stainless steel cleaner only to the **stainless steel side walls** evenly, wiping with the grain. Subsequent cleaning becomes easier as a result.

- ▶ Remove all transit supports.
- ▶ Dispose of packaging material (see 4.5).

- ▶ Align the appliance so that it stands firmly and on a level by applying the accompanying spanner to the adjustable-height feet (A) and using a spirit level.
- ▶ Then support the door: Extend the adjustable foot at the turn hinge (B) until it rests on the floor and then make a further 90° turn.



When a Side-by-Side appliance (S...) is fitted together with a second appliance (as a SBS combination):

- ▶ Proceed according to the Side-by-Side combined fridge-freezer installation instructions. (Accessories bag of the SBS freezer/appliance with freezer compartment)

If the appliance is installed in a very damp environment, condensate may form on the outside of the appliance.*

- ▶ Always see to good ventilation at the installation site.

4.5 Disposing of packaging



WARNING

Danger of suffocation due to packing material and plastic film!

- ▶ Do not allow children to play with packing material.

The packaging is made of recyclable materials:

- corrugated board/cardboard
- EPS moulded parts
- polythene bags and sheets
- polypropylene straps

- ▶ Take the packaging material to an official collecting point.



4.6 Connecting the appliance

NOTICE

Risk of damage to the electronic control system!

- ▶ Do not use stand-alone inverters (conversion of d.c. to a.c./three-phase) or energy saving plugs.



WARNING

Fire and overheating hazard!

- ▶ Do not use extension cables or multiple socket outlets.

The type of current (alternating current) and voltage at the installation site have to conform with the data on the type plate (see Appliance at a glance).

Connect the appliance only with a properly installed socket outlet with earthing contact. The socket outlet must be fused with 10 A or higher.



It must be easily accessible so that the appliance can be quickly disconnected from the supply in an emergency.

- ▶ Check the electrical connection.
- ▶ Clean the appliance (see 6.1).
- ▶ Plug in the power plug.

4.7 Switching on the appliance

- ▶ Press On/Off button *Fig. 3 (3)*.
- ▷ The temperature display indicates the current temperature.
- ▷ The interior light is on when the door is open.

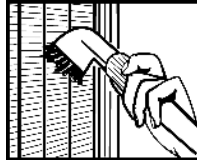
5 Control

5.1 Saving energy

- ▶ Always pay attention to good ventilation.
- ▶ Keep the time the appliance is open to a minimum.
- ▶ Store food logically.
- ▶ First cool warm food to room temperature before storing it .

Accumulated dust increases the energy consumption:

- ▶ Once a year, dust the refrigerating unit together with the metal grille of the heat exchanger at the back of the appliance.



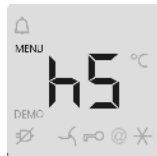
5.2 Brightness of the temperature display

You can adjust the brightness of the temperature display to the light conditions of the room in which the appliance is installed.

5.2.1 Adjusting the brightness

The brightness is adjustable between h0 (no illumination) and h5 (maximum luminosity).

- ▶ To activate the setting mode: press SuperCool button *Fig. 3 (2)* for about 5s.
 - ▷ The display indicates c .
 - ▷ The menu symbol *Fig. 3 (5)* shines.
- ▶ Using the Up setting button *Fig. 3 (7)* and Down setting button *Fig. 3 (6)*, select h .
 - ▶ To confirm: briefly press the SuperCool button *Fig. 3 (2)*.
 - ▶ To set the display brighter: press the Up setting button *Fig. 3 (7)*.
 - ▶ To set the display darker: press the Down setting button *Fig. 3 (6)*.
 - ▶ To confirm: briefly press the SuperCool button *Fig. 3 (2)*.
- ▷ The brightness is adjusted to the new value.
- ▶ To deactivate the setting mode: press the On/Off button *Fig. 3 (3)*.



- or-
- ▶ Wait for 5 minutes.

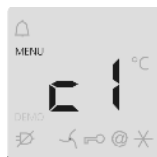
- ▷ The temperature is indicated again in the temperature display.

5.3 Child proofing

The child-proofing function enables you to make sure that the appliance is not inadvertently switched off by playing children.

5.3.1 Setting the child lock function

- ▶ To activate the setting mode: press SuperCool button *Fig. 3 (2)* for about 5 s.
 - ▷ The display indicates c .
 - ▷ The menu symbol *Fig. 3 (5)* shines.
- ▶ Briefly press the SuperCool button *Fig. 3 (2)* to confirm. When cl is indicated in the display:
 - ▶ to activate the child lock, briefly press the SuperCool button *Fig. 3 (2)*.



- ▷ The child lock symbol *Fig. 3 (11)* shines. c flashes in the display. When cl is indicated in the display:
 - ▶ to deactivate the child lock, briefly press the SuperCool button *Fig. 3 (2)*.

- ▷ The child lock symbol *Fig. 3 (11)* goes out. c flashes in the display.
- ▶ To deactivate the set-up mode: press On/Off button *Fig. 3 (3)*.

-or-

- ▶ Wait for 5 minutes.

- ▷ The temperature is indicated again in the temperature display.

5.4 Door alarm

If the door is open longer than 60 s, the audible alarm sounds.

The audible alarm is automatically silenced when the door is closed.

5.4.1 Muting the door alarm

The audible alarm can be muted when the door is open. The sound switch-off function is active as long as the door is left open.

- ▶ Press alarm button *Fig. 3 (1)*.
- ▷ The door alarm is silenced.

5.5 Food refrigeration

Note

The energy consumption increases and the cooling performance decreases if the ventilation is inadequate.

- ▶ Always keep the air slits of the fan free.

- ▶ Store perishable food such as ready-to-serve dishes, meat products and sausages in the coldest zone. Place butter, eggs and preserves in the upper area and in the door (see Appliance at a glance).
- ▶ Use recyclable plastic, metal, aluminium and glass containers and cling film for wrapping.
- ▶ Use the front area of the refrigerator compartment floor only for briefly putting down cooled products, e.g. when rearranging and sorting. However do not leave cooled products there otherwise they may be pushed back or tipped over when the door is closed.
- ▶ Do not store food too close together to enable good air circulation.
- ▶ To safeguard bottles from tipping over: move the bottle holder.

5.6 Setting the temperature in the refrigerator compartment

The temperature can be set from 9 °C to 2 °C, the recommended temperature is 5 °C.

- ▶ For a higher temperature setting: press Up button *Fig. 3 (7)*.
- ▶ For a lower temperature setting: press Down button *Fig. 3 (6)*.
- ▷ The first time the button is pressed, the value set so far is indicated in the temperature display.
- ▶ To change the temperature in 1 °C steps: briefly press the button.
- ▶ To change the temperature continuously: hold down the button.
- ▷ The value is displayed flashing during the setting operation.
- ▷ The actual temperature is displayed about 5 s after the last press of a button. The temperature slowly adjusts to the new value.

5.7 SuperCool

With SuperCool you switch to the highest cooling performance to reach lower cooling temperatures. Use SuperCool, to rapidly cool large amounts of food.

The SuperCool function uses slightly more energy.

Control

5.7.1 Cooling with SuperCool

- ▶ Briefly press SuperCool button *Fig. 3 (2)*.
- ▷ The SuperCool symbol *Fig. 3 (12)* lights up in the display.
- ▷ The cooling temperature drops to the coldest value. SuperCool is activated.
- ▷ SuperCool is automatically deactivated after 6 to 12 hours. The appliance continues to operate in the energy-saving, normal mode.

5.7.2 To prematurely deactivate SuperCool

- ▶ Briefly press SuperCool button *Fig. 3 (2)*.
- ▷ The SuperCool symbol *Fig. 3 (12)* goes out in the display.
- ▷ SuperCool is deactivated.

5.8 Fan

With the fan you can rapidly cool large quantities of fresh food or achieve a relatively even distribution of temperature across all the storage levels.

The forced-air cooling is to be recommended:

- at high room temperature (from approx. 30 °C)
- at high humidity

The forced-air cooling uses slightly more energy. To save energy, the fan switches off automatically when the door is open.

5.8.1 Switching on the fan

- ▶ Briefly press the fan button *Fig. 3 (8)*.
- ▷ The fan symbol *Fig. 3 (10)* shines.
- ▷ The fan is active. It switches on automatically when the compressor runs.

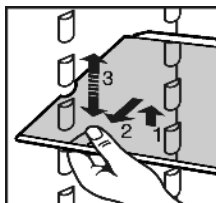
5.8.2 To switch off the fan

- ▶ Briefly press the fan button *Fig. 3 (8)*.
- ▷ The fan symbol *Fig. 3 (10)* goes out.
- ▷ The fan is switched off.

5.9 Relocating the shelves

The shelves have stops preventing them from being unintentionally pulled out.

- ▶ Lift the shelf and draw it out forwards.



- ▶ Insert shelf with the raised edge pointing upwards at the back.
- ▷ The food does not freeze onto the rear wall.

5.10 Using the sectioned shelf

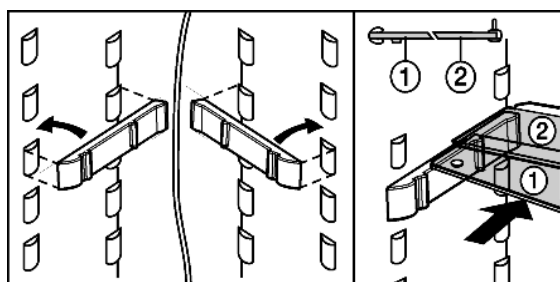
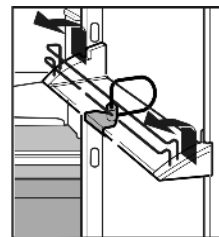


Fig. 9

- ▶ The glass shelf with stop face (2) has to be at the back.

5.11 Moving the storage rack

- ▶ Remove storage rack according to illustration.

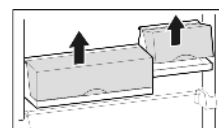


The boxes can be removed and placed on the table as a single unit.

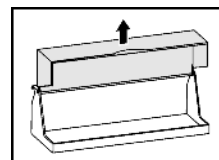
Only one box or both boxes can be used. If particularly tall bottles are to be stored, attach only the wide box above the bottle rack.

Three small boxes are available through the customer service as optional equipment instead of one wide and one small box.

- ▶ Re-positioning the boxes: Lift them for removal and re-position them as required.

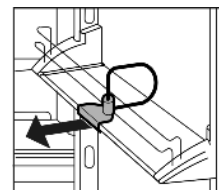


- ▶ To detach lid: Open 90° and raise to disengage.



5.12 Removing the bottle holder

- ▶ Always take hold of the bottle holder on the plastic part.



5.13 Vegetable bins

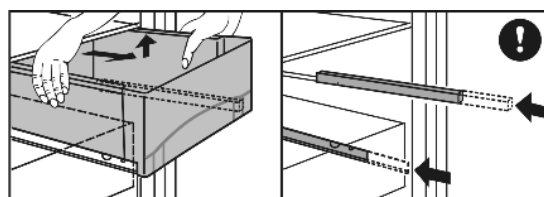


Fig. 10

To remove the vegetable bins:

- ▶ pull the vegetable bin all the way out and tilt it forwards a little.
- ▷ In the case of the bottom drawer, the drawer locking device is additionally released and the vegetable bin can be removed.
- ▶ Push the projecting telescopic slides back in.

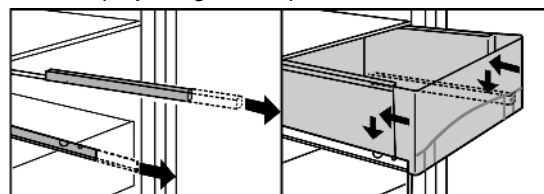


Fig. 11

To insert the vegetable bins:

- ▶ place the vegetable bin on the telescopic slides and push to the rear, exerting slight pressure.
- ▷ In the case of the bottom drawer, the drawer locking device additionally engages and the vegetable drawer sits firmly on the telescopic slides.

6 Maintenance

6.1 Cleaning the appliance.

Before cleaning:



CAUTION

Risk of injury and damage as a result of hot steam!
Hot steam may damage the surfaces and cause burns.

- ▶ Do not use any steam cleaners!

NOTICE

Incorrect cleaning damages the appliance!

- ▶ Do not use cleaning agents in concentrated form.
- ▶ Do not use any scouring or abrasive sponges or steel wool.
- ▶ Do not use any cleaning agents containing sand, chloride, chemicals or acid.
- ▶ Do not use chemical solvents.
- ▶ Do not damage or remove the type plate on the inside of the appliance. It is important for the customer service.
- ▶ Do not pull off, bend or damage cables or other components.
- ▶ Do not allow any cleaning water to enter the drain channel, ventilation grille or electrical parts.

- ▶ Empty the appliance.
- ▶ Pull out the plug.

- Use soft cleaning cloths and a multi-purpose cleaning agent with neutral pH value.
- Only use food compatible cleaning and care agents on the inside of the appliance.



Outside surfaces and interior:

- ▶ Regularly clean ventilation grilles.
- ▷ Dust deposits increase energy consumption.
- ▶ Clean the plastic surfaces, outside and inside, by hand using lukewarm water and a little washing-up liquid.

NOTICE

The stainless steel doors have a high-quality surface coating and must not be cleaned with the accompanying care product.

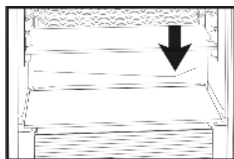


Otherwise the surface coating will be affected.

- ▶ Wipe the coated **door surfaces** using a soft, clean cloth only. In case of stubborn dirt, use a little water or a neutral cleaning agent. A microfibre cloth can be optionally used.
- ▶ If the **stainless steel side walls** are dirty, clean them using a commercially available stainless steel cleaning agent. Then evenly apply the accompanying stainless steel care product, making strokes in the direction of the grain.
- ▶ Wipe **side walls with a paint finish** using a soft, clean cloth only. In case of stubborn dirt, use a little water or a neutral cleaning agent. A microfibre cloth can be optionally used.

Clean stainless steel surfaces with a standard stainless steel cleaning agent. Darker areas at the beginning and quite an intensive colour of the stainless steel surface are normal.

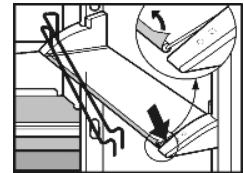
- ▶ Do not apply cleaners to glass or plastic surfaces so as not to scratch them.
- ▶ To clean stainless steel surfaces: evenly apply an agent for care of stainless steel, wiping in the direction of the grain.
- ▶ To clean the drain opening: remove any deposits with a fine instrument, e.g. a cotton bud.



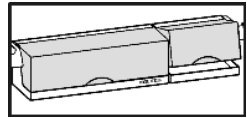
Items of equipment:

- ▶ Clean items of equipment by hand with lukewarm water and a little washing-up liquid.

- ▶ To dismantle the shelves: remove the trims and side parts.
- ▶ To dismantle the storage rack: remove the protective film from the decorative trims.



- ▶ Lift out the boxes and lift the covers for removal.



After cleaning:

- ▶ Wipe dry the appliance and items of equipment.
- ▶ Connect the appliance and switch it on again.
- ▶ Put the food back inside.

6.2 Changing the interior light with bulb

Bulb data

max. 25 W

Fitting: E14

Type of current and voltage must conform with the details on the type plate

- ▶ Switch off the appliance.
- ▶ Pull out the power plug or switch off the fuse.
- ▶ Take holder of the cover *Fig. 12 (1)* at the front and unhook it at the back.
- ▶ Change the bulb *Fig. 12 (2)*.
- ▶ Put the cover *Fig. 12 (1)* back in place.

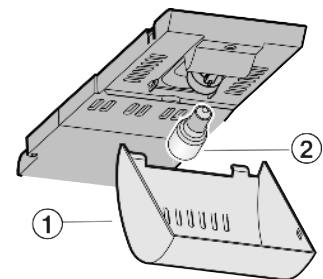


Fig. 12

6.3 Changing the interior light with bulb

Bulb data

T25 tube, Philips

max. 25 W

Fitting: E14

Type of current and voltage must conform with the details on the type plate

- ▶ Switch off the appliance.
- ▶ Pull out the power plug or switch off the fuse.
- ▶ To remove the cover *Fig. 13 (1)*: put your finger behind the cover and disengage it.
- ▶ Pull out the glass shelf *Fig. 13 (2)*.
- ▶ Change the bulb *Fig. 13 (3)*.
- ▶ Slide the glass shelf back in.
- ▶ Attach the cover again, engage it at the right and left and pay attention that the middle hook *Fig. 13 (4)* grips over the glass shelf.

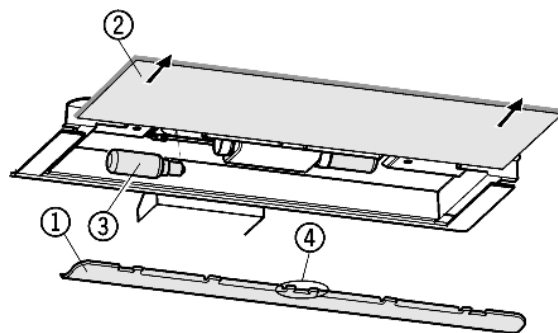


Fig. 13

Malfunction

6.4 Customer service

First check whether you can correct the fault yourself by reference to the list (see Malfunction). If this is not the case, please contact the customer service whose address is given in the enclosed customer service list.



WARNING

Risk of injury if repair work is not carried out professionally!

- ▶ Have any repairs to and intervention in the appliance and mains power cable, which are not expressly mentioned in the (see Maintenance) carried out by the customer service only.

- ▶ Read the appliance designation *Fig. 14 (1)*, service No. *Fig. 14 (2)* and serial No. *Fig. 14 (3)* off the type plate located inside the appliance on the left-hand side.

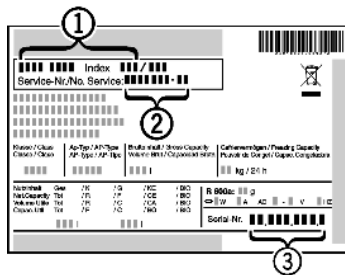


Fig. 14

- ▶ Notify the customer service, specifying the fault, appliance designation *Fig. 14 (1)*, service No. *Fig. 14 (2)* and serial No. *Fig. 14 (3)*.
- ▷ This will help us to provide you with a faster and more accurate service.
- ▶ Keep the appliance closed until the customer service arrives.
- ▷ The food will stay cool longer.
- ▶ Pull out the mains plug (not by pulling the connecting cable) or switch off the fuse.

7 Malfunction

Your appliance is designed and manufactured for a long life span and reliable operation. If a malfunction nonetheless occurs during operation, check whether it is due to a handling error. In this case you will have to be charged for the costs incurred, even during the warranty period. You may be able to rectify the following faults yourself:

Appliance does not work.

- The appliance is not switched on.
- ▶ Switch on the appliance.
- The power plug is not properly inserted in the wall socket.
- ▶ Check power plug.
- The fuse of the wall socket is not in order.
- ▶ Check fuse.

The compressor runs for a long time.

- The compressor switches to a low speed when little cold is needed. Although the running time is increased as a result, energy is saved.
- ▶ This is normal in energy-saving models.
- SuperCool is activated.
- ▶ The compressor runs for longer in order to rapidly cool the food. This is normal.

A bubbling and gurgling noise

- This noise comes from the refrigerant flowing in the refrigeration circuit.
- ▶ The sound is normal.

A quiet clicking noise

- The noise is produced whenever the refrigeration unit (motor) automatically switches on or off.
- ▶ The sound is normal.

A hum. It is briefly a little louder when the refrigeration unit (the motor) switches on.

- The refrigeration increases automatically when the SuperCool function is activated, fresh food has just been placed in the appliance or the door has been left open for a while.
- ▶ The sound is normal.
- The ambient temperature is too high.
- ▶ Solution: (see 1.1)

A low hum

- The sound is produced by air flow noise of the fan.
- ▶ The sound is normal.

Vibratory noise

- The appliance is not standing firmly on the floor. As a result, adjoining units or objects are set into vibration by the running refrigeration unit.
- ▶ Move the appliance away a little and align it using the adjustable feet.
- ▶ Move bottles and containers apart.

The temperature display indicates: F0 to F9

- There is a fault.
- ▶ Contact the customer service (see Maintenance).

DEMO shines in the temperature display.

- The demo mode is activated.
- ▶ Contact the customer service (see Maintenance).

The temperature is not cold enough.

- The door of the appliance is not properly closed.
- ▶ Close the door of the appliance.
- Insufficient ventilation.
- ▶ Clear ventilation grilles.
- The ambient temperature is too high.
- ▶ Solution: (see 1.1).
- The appliance was opened too frequently or for too long.
- ▶ Wait until the appliance reaches the required temperature itself. If not, contact the customer service. (see Maintenance).
- The temperature is incorrectly set.
- ▶ Set to a colder temperature and check after 24 h.
- The appliance is too close to a heat source.
- ▶ Solution: (see Putting into operation).

The interior light is not on.

- The appliance is not switched on.
- ▶ Switch on the appliance.
- The door was open longer than 15 min.
- ▶ The interior light automatically switches off if the door has been open for about 15 min.
- If the interior light is not on but the temperature display is lit, the bulb is faulty.*
- ▶ Change the bulb: (see Maintenance)*
- The LED interior lighting is faulty or the cover is damaged.*



WARNING*

Risk of injury due to electric shock!

Live parts are located under the cover.

- ▶ Have the LED interior light changed or repaired only by the customer service or by specialized personnel trained for the purpose.



WARNING*

Danger of injury due to laser radiation, class 1M.

- ▶ Do not look inside when the cover is open.

8 Decommissioning

8.1 Switching off the appliance

- ▶ Press On/Off button *Fig. 3 (3)* for about 2 s.
- ▷ The temperature display is dark.

8.2 Taking the appliance out of service

- ▶ Empty the appliance.
- ▶ Pull out the power plug.
- ▶ Clean the appliance (see 6.1) .



- ▶ Leave the door open to prevent odour.

9 Disposing of the appliance

The appliance contains some reusable materials and should be disposed of properly - not simply with unsorted household refuse. Appliances which are no longer needed must be disposed of in a professional and appropriate way, in accordance with the current local regulations and laws.



When disposing of the appliance, ensure that the refrigeration circuit is not damaged to prevent uncontrolled escape of the refrigerant it contains (data on type plate) and oil.

- ▶ Disable the appliance.
- ▶ Pull out the plug.
- ▶ Cut through the connecting cable.

Disposing of the appliance

Free Manuals Download Website

<http://myh66.com>

<http://usermanuals.us>

<http://www.somanuals.com>

<http://www.4manuals.cc>

<http://www.manual-lib.com>

<http://www.404manual.com>

<http://www.luxmanual.com>

<http://aubethermostatmanual.com>

Golf course search by state

<http://golfingnear.com>

Email search by domain

<http://emailbydomain.com>

Auto manuals search

<http://auto.somanuals.com>

TV manuals search

<http://tv.somanuals.com>