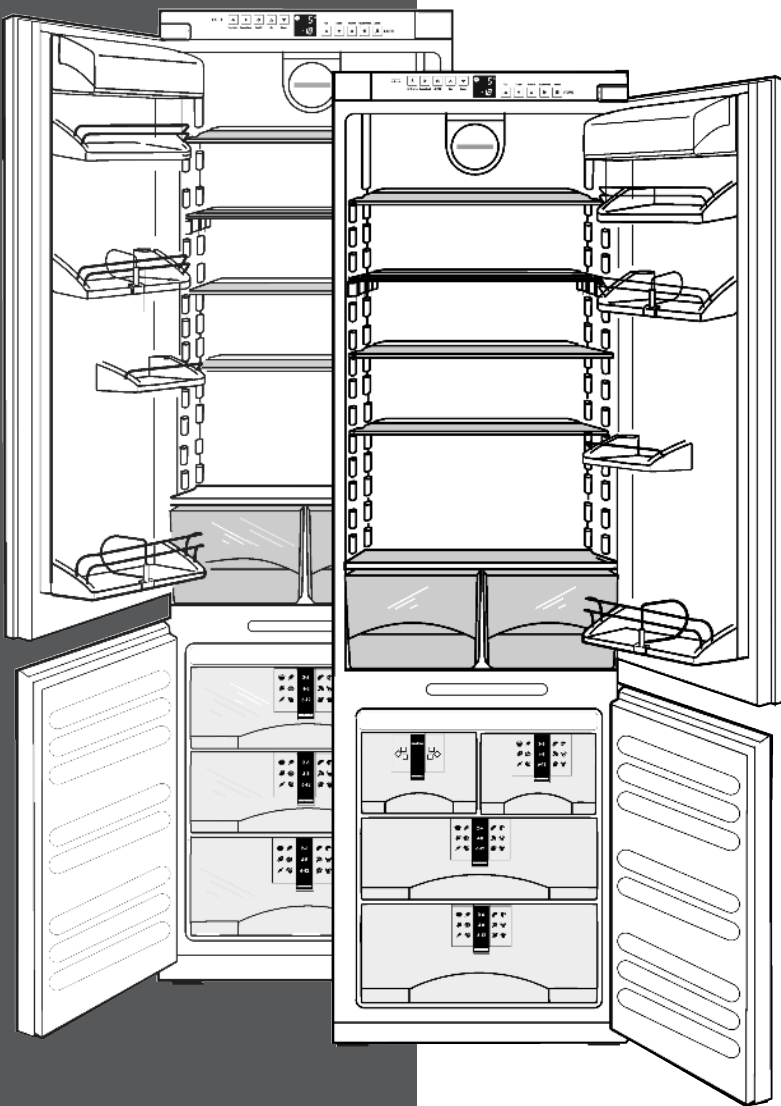


LIEBHERR

Installation Instructions

Combined fridge-freezer for
integrated use, door-on-door



HC 1011/1060 HC 1001/1050
020707 7084000 - 01

General safety information

Contents

1	General safety information.....	2
2	Setting up the appliance.....	2
3	Changing the door hinges.....	3
3.1	To detach the soft stop mechanism.....	3
3.2	Reversing the door.....	3
3.3	Re-attaching the soft stop mechanism.....	3
4	Kitchen Cabinet Construction.....	4
4.1	Kitchen Cabinet Airflow.....	4
4.2	Designing the Kitchen Cabinet.....	5
4.3	Designing the Kitchen Cabinet Doors.....	6
5	Water supply.....	8
6	Installation.....	8
6.1	Assembling the appliance.....	9
6.2	Fitting the unit doors.....	11
7	Connecting the appliance.....	13

The manufacturer is constantly working to improve all models. Therefore please understand that we reserve the right to make design, equipment and technical modifications.




To get to know all the benefits of your new appliance, please read the information contained in these instructions carefully.

The instructions apply to several models, so there may be differences. Sections which only apply to certain appliances are indicated with an asterisk (*).

Instructions for action are marked with a ►, the results of action are marked with a ▷.

1 General safety information

Read and follow these instructions. They contain safety advice which is important for safe and problem-free installation and operation. Always read and follow the safety advice.

	DANGER	indicates a hazardous situation, which if not avoided, will result in death or serious injury.
	WARNING	indicates a hazardous situation, which if not avoided, could result in death or serious injury.
	CAUTION	indicates a hazardous situation, which if not avoided, will result in minor or moderate injury.
	NOTICE	indicates a hazardous situation, which if not avoided, could result in damage to property.
	Note	indicates useful advice and tips.

It is important that the guidelines and instructions in this manual are followed so that the appliance is correctly

installed and operates properly. Read and understand all information in this manual before the appliance is installed.

2 Setting up the appliance



WARNING

Risk of fire due to moisture!

If live parts or the power cord get wet, this can cause a short circuit.

- The appliance is designed for use in enclosed spaces. Do not operate the appliance in open space or in damp areas or where there is spray.



WARNING

Danger of fire and damage!

- Do not place devices that give off heat, e.g. microwaves, toasters, etc. on the appliance.



CAUTION

Risk of personal injury!

- Have two people move this appliance into place.

NOTICE

Risk of damage caused by condensation

Installing the appliance next to any other refrigerator or freezer can cause damage or condensation to the Liebherr appliance.

- Do not install this appliance next to any other refrigerator or freezer except another Liebherr model. Liebherr models are designed to allow side-by-side installation. They are equipped with a heating system to eliminate condensation when refrigerators or freezers are installed side-by-side.

NOTICE

Risk of damage for the finished floor surface!

- Protect the finished floor surface before you uncrate the unit.

Verify that:

- the floor under the appliance is flat and level.
- the floor can support the appliance's weight plus approximately 1200 pounds (544 kg) of food weight.
- the appliance is not placed in direct sunlight or near the stove, range top, radiators and similar heat sources.
- the kitchen cabinet that the appliance is installed in is shimmed to the floor level if the floor heights are not equal.
- cutout dimensions are accurate.
- electrical outlet is in correct location.
- the air flow is not restricted. Air flow must be provided for the appliance to operate properly. The factory air vents provide 31 square inches (200 cm²) of air flow per appliance. If you are replacing the air vents with an overlay, the air flow must be the same or greater than the factory air vents.

- ▶ Examine the unit and packaging for shipping damage. Contact the carrier immediately if you suspect there is any damage.
- ▶ Note the type (model, number), index, appliance/serial number, date of purchase and where purchased on the spaces provided in see Appliance Information.
- ▶ Remove anything attached to the rear or side walls of appliance that would prevent proper installation or impede proper ventilation.

If the appliance is set up in humid areas, condensation may build on the outside of the appliance.

- ▶ Always ensure proper ventilation.

3 Changing the door hinges

Make sure you have the following tools on hand:

- Hex wrench 13
- Cordless screwdriver Torx 15, 20, 25, 30

Push the appliance 2/3 of the way into the recess.

Disconnect the power plug.

Open the doors.

3.1 To detach the soft stop mechanism*

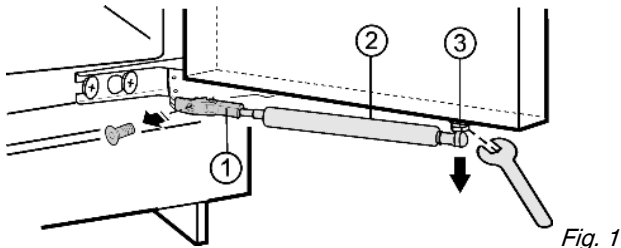
HC1011, HC1060



CAUTION

Risk of injury if soft stop contracts!

- ▶ Detach with care.



- ▶ Unscrew retainer Fig. 1 (1).
- ▶ Unscrew ball stud Fig. 1 (3) together with the soft stop mechanism Fig. 1 (2) from the door and set to one side.

3.2 Reversing the door

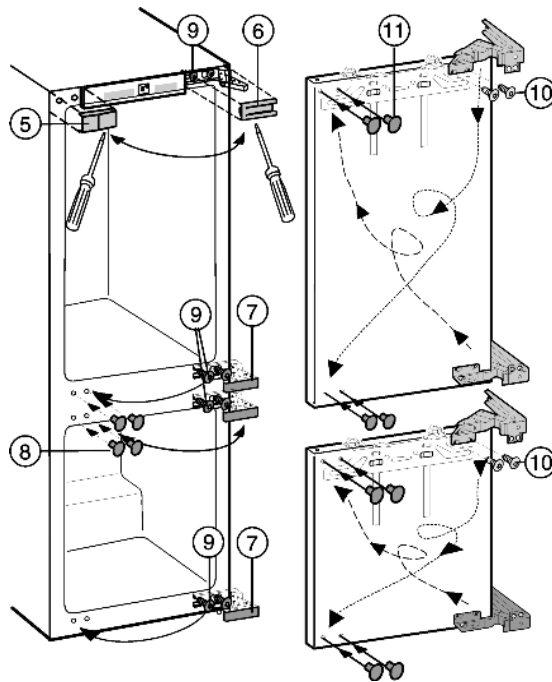


Fig. 2

- ▶ Lift off covers Fig. 2 (5,6,7,8) using a slot screwdriver.
- ▶ Just loosen top and bottom screws Fig. 2 (9) on the body of the appliance.
- ▶ Push doors outwards and unhook.
- ▶ Swap screws Fig. 2 (9) to the opposite side and screw them in a little.



CAUTION

Risk of injury if hinges fold!

- ▶ Leave hinges open.

- ▶ Undo screws Fig. 2 (10) and change over the hinges diagonally.

The screws Fig. 2 (10) are self-tapping: use a cordless screwdriver.

- ▶ Tighten the hinges.
- ▶ Close off the now unused fastening holes with the plugs Fig. 2 (11) supplied.
- ▶ Hang doors on the pre-fitted screws Fig. 2 (9) and tighten screws.

3.3 Re-attaching the soft stop mechanism*

HC1011, HC1060

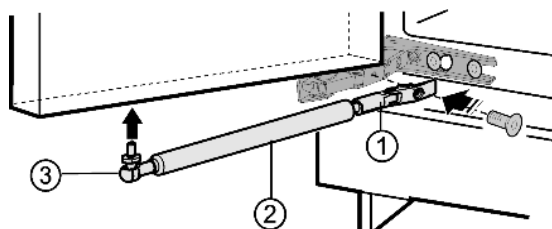


Fig. 3

- ▶ Screw on retainer Fig. 3 (1).

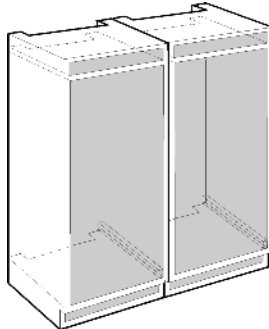
Kitchen Cabinet Construction

- ▶ Screw in ball stud *Fig. 3 (3)* together with the soft stop mechanism *Fig. 3 (2)* in the fastening hole.
- ▶ Re-attach all covers *Fig. 2 (5,6,7,8)*.

4 Kitchen Cabinet Construction

This is a fully integrated appliance which means that it is fully enclosed by a kitchen cabinet. This type of cabinet must be carefully constructed using the proper dimensions and it must provide proper ventilation to ensure proper appliance operation.

Make a separate kitchen cabinet for each appliance for Side-by-Side installations.



Consider having a professional install the appliance in your kitchen cabinet.

4.1 Kitchen Cabinet Airflow

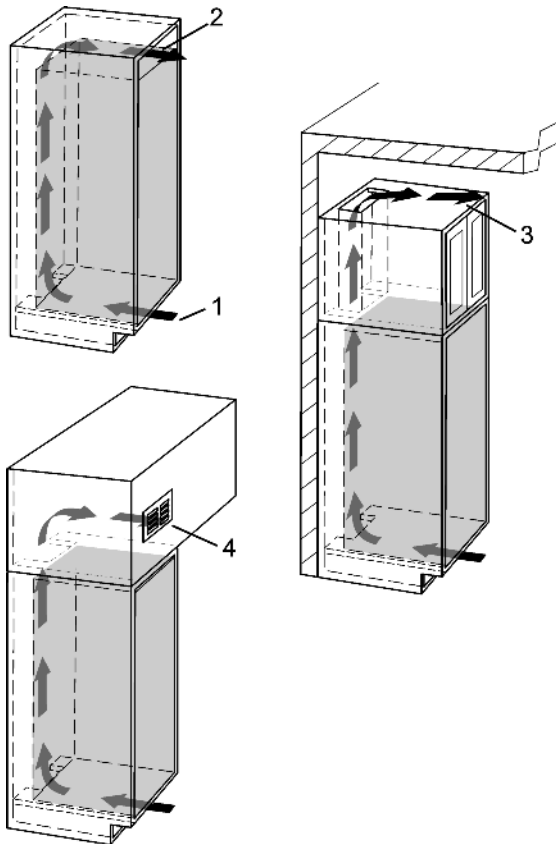


Fig. 4

- There must be a ventilation space at least 31 in² (200 cm²) at the airflow inlet *Fig. 4 (1)* and at the airflow outlet *Fig. 4 (2)*.

- The top ventilation space can be either directly over the appliance *Fig. 4 (2)* or next to the ceiling over a cabinet *Fig. 4 (3)*, or through a vent installed in a soffit *Fig. 4 (4)*.

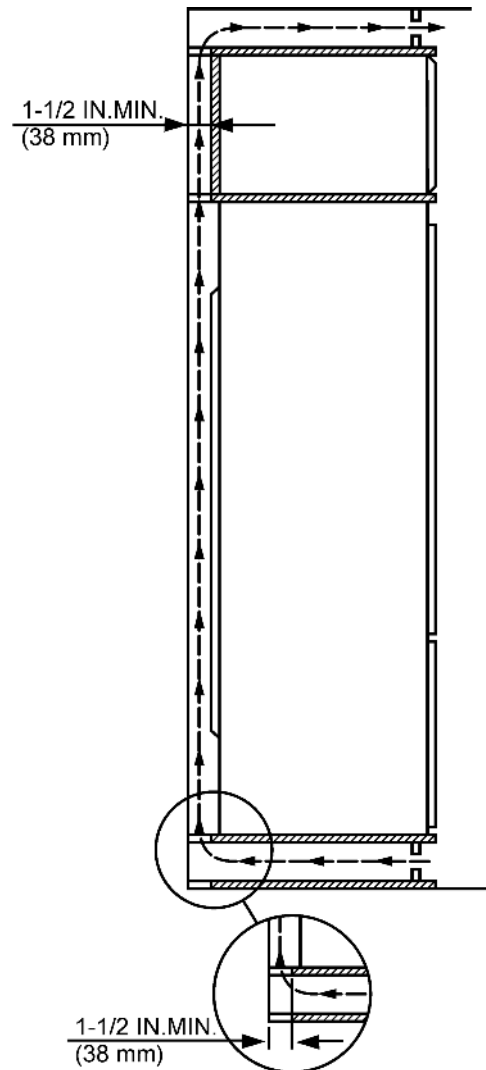


Fig. 5

- There must be a clear ventilation space (without any obstructions) of at least 1-1/2 in. (38 mm) at the back of the kitchen cabinet.

- ▶ Observe the above ventilation dimensions.

Ventilation through the cabinet base at the bottom can be achieved by installing the provided ventilation grille *Fig. 6 (3)* or via a ventilation opening of at least 31 in² (200 cm²). When using the provided ventilation grille *Fig. 6 (3)*, please proceed as follows:

Kitchen Cabinet Construction

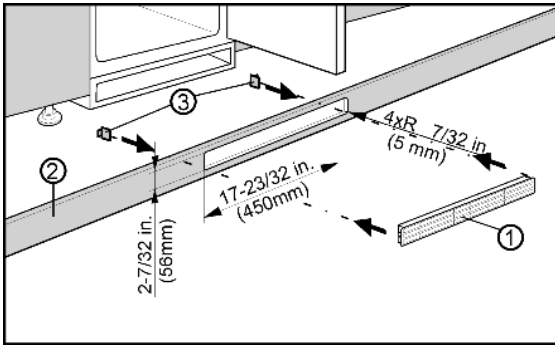


Fig. 6

- ▶ Insert ventilation grille *Fig. 6 (3)* into the cabinet base cut-out *Fig. 6 (1)*.
- ▶ From the back side, slide the snap-fits *Fig. 6 (2)* into the grille until the hooks make contact with the cabinet base.
- ▶ Completely mount cabinet base (with ventilation grille and snap-fits) to kitchen cabinet.

4.2 Designing the Kitchen Cabinet

Install the appliance in stable kitchen cabinets only.

- ▶ In the cabinet base, cut out a ventilation opening that is 17-23/32 in. (450 mm) in width and 2-7/32 in. (56 mm) in height.

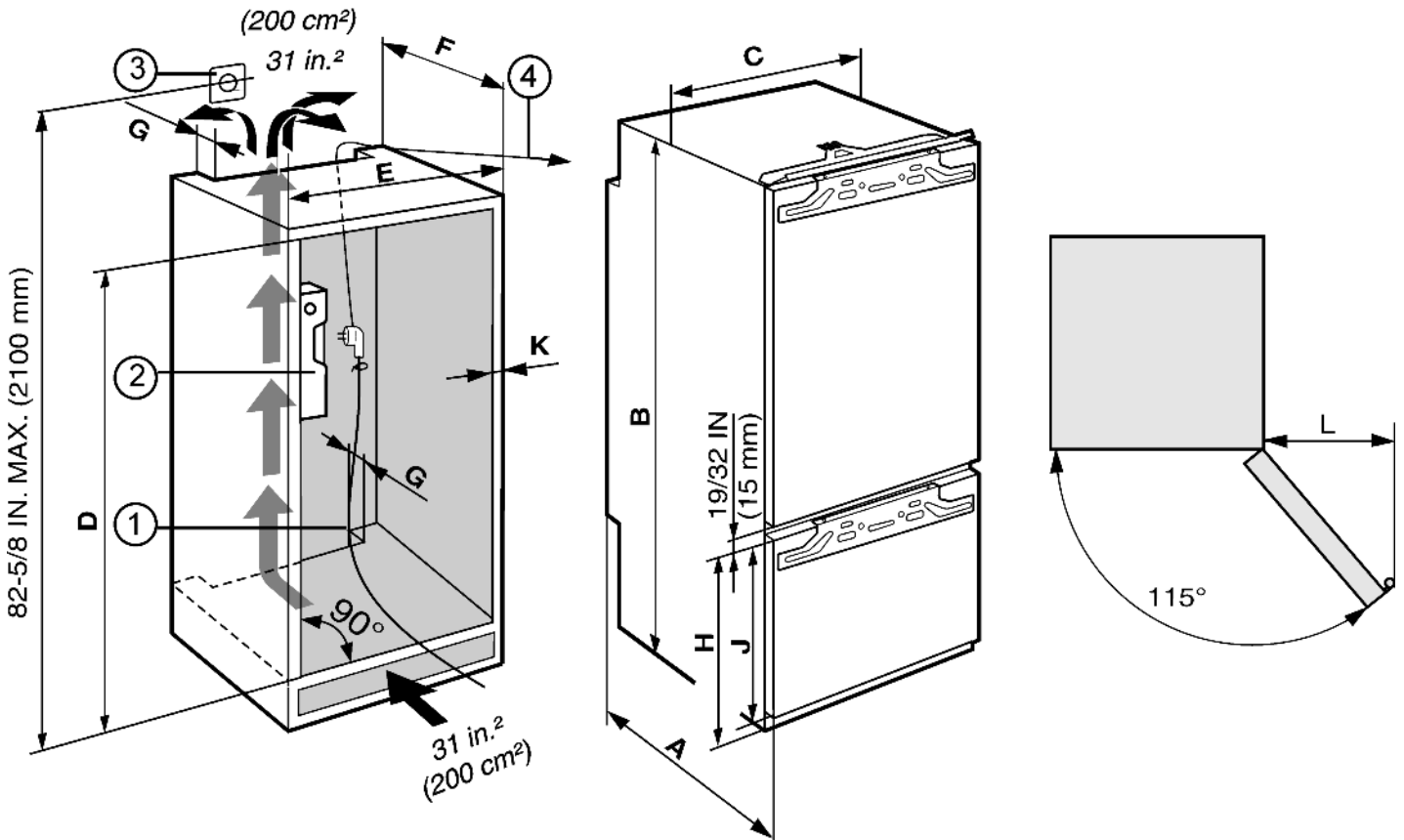


Fig. 6

- | | | | |
|---|------------|---|--------------------------|
| 1 | Power cord | 3 | Electrical outlet |
| 2 | Level | 4 | Fish line for power cord |

A	21-7/32 in. (539 mm)	B	69-21/32 in. (1769.5 mm)
C	21-15/16 in. (557 mm)	D	69-3/4 in. - 70-3/8 in. (1772 mm) - (1788 mm)
E	24 in. (609.6 mm) (American Style Cabinet) 23-5/8 in. (600 mm) (European Style Cabinet)	F	21-21/32 in. (550 mm)
H	27-3/8 in. (695 mm)	G	1-1/2 in. (38 mm)
K	max. 3/4 in. (19 mm)	J	24-3/4 in. (629 mm)
		L	9-21/32 in. (245 mm)

- ▶ Construct the kitchen cabinet using the dimensions shown in *Fig. 6*.
- ▶ Align the kitchen cabinet with a level *Fig. 6 (2)* and a square. If necessary, shim underneath the cabinet to make it level.

Kitchen Cabinet Construction

▷ The floor and side walls must be at right angles to each other.

The joint between the upper and the lower kitchen cabinet door must align with the joint between the upper and lower appliance door.

Follow distance L to the wall to allow the drawers to be pulled out properly.

▶ Follow the dimensions provided in *Fig. 6*.

4.3 Designing the Kitchen Cabinet Doors

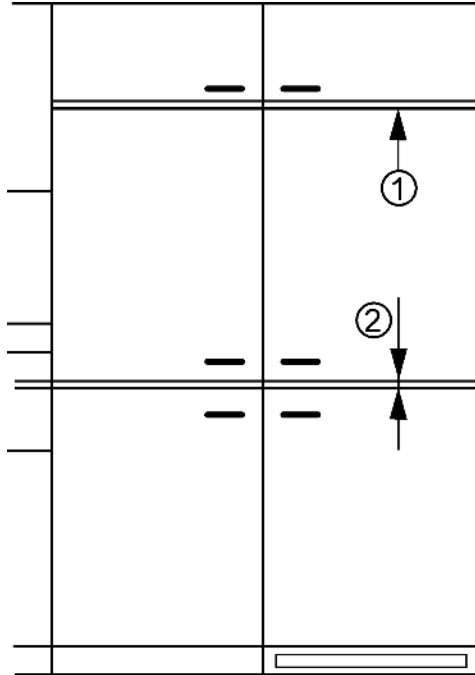


Fig. 7

You need two doors for the kitchen cabinet, one on top for the refrigerator compartment, and one on the bottom for the freezer compartment.

In general, the doors have these characteristics:

- The doors should be at least 5/8 in. (16 mm) and max. 3/4 in. (19 mm) thick to allow the connecting rails to be fastened to them.
 - With both doors closed, there should be a minimum of 1/8 in. (3 mm) between the upper and lower doors.
 - Also, there should be an 1/8 in. (3 mm) clearance between the upper door and the cabinet door above it (if any).
 - The width of the cabinet doors depends on the kitchen style and size of the gaps between the door panels of the cabinetry. Generally, a 1/8 in. (3 mm) vertical gap between the cabinet doors is recommended.
 - The top edge of the upper door *Fig. 7 (1)* and lower door *Fig. 7 (2)* should be even with the doors of adjoining cabinet(s), if any.
 - The position of the joint between the kitchen cabinet doors must be level with the position of the joint *Fig. 7 (2)* between the appliance doors.
 - Adjust the door alignment before installing the appliance. It is impossible to adjust the door with the appliance installed.
- ▶ Check the installation dimensions according to *Fig. 6*.

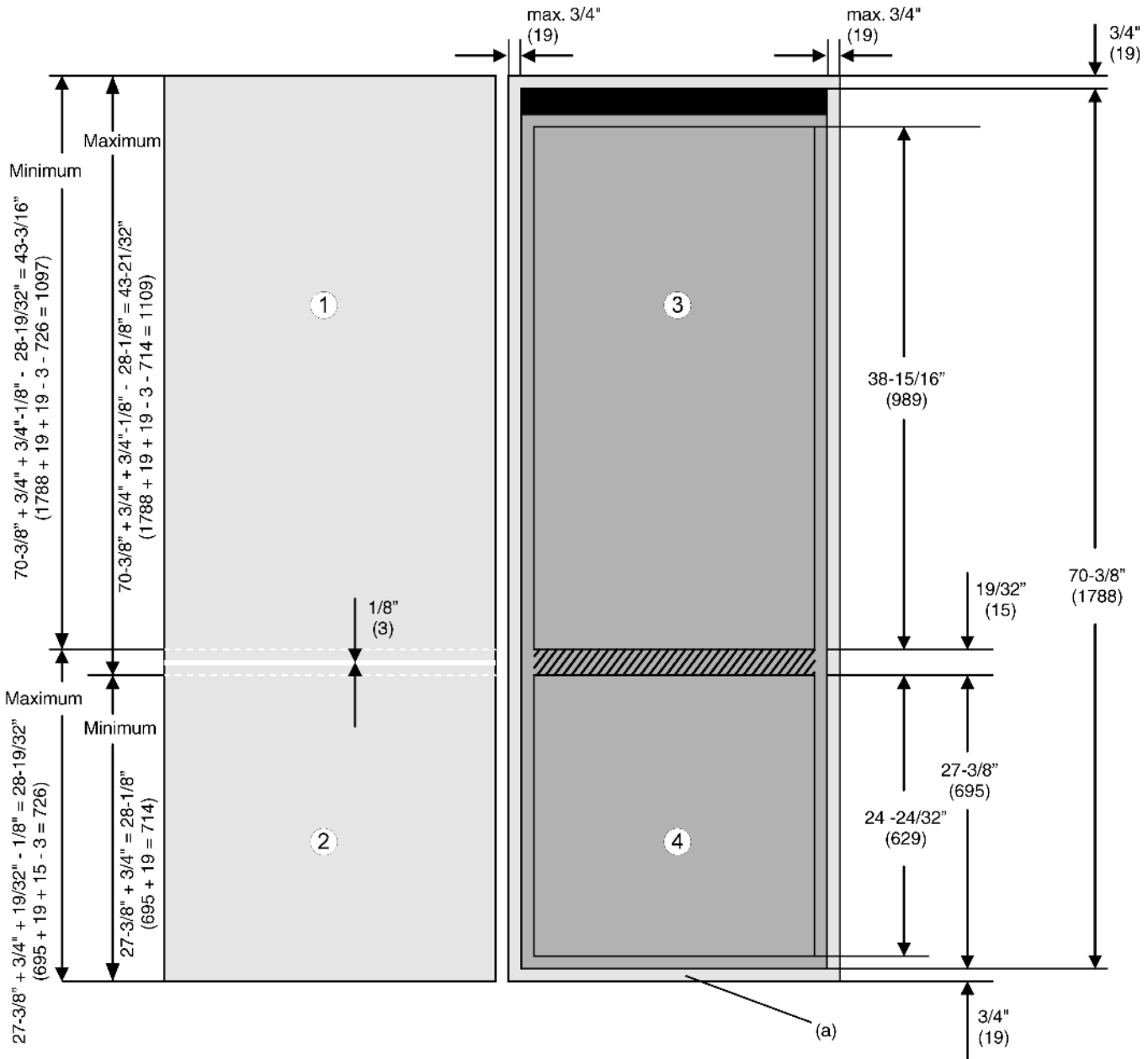


Fig. 7

- | | |
|----------------------------------|-----------------------------|
| 1 Unit door fridge compartement | 3 Fridge compartement door |
| 2 Unit door freezer compartement | 4 Freezer compartement door |

The **freezer door height** is 24-24/32 in. (629 mm).

► To cover the lower part of the appliance: increase the height of the panel to 27-3/8 in. (695 mm).

The thickness of the floor board is usually 3/4 in. (19 mm).

► To cover the face side of the floor board Fig. 7 (a): increase the height of the panel to 27-3/8 in. + 3/4 in. = 28-1/8 in. (695 mm + 19 mm = 714 mm).

Without door panels on the unit, there is a gap of 19/32 in. (15 mm) between the freezer Fig. 7 (4) and the refrigerator door Fig. 7 (3). After the installation of the cabinet doors, the gap between the two doors Fig. 7 (1,2) will only be around 1/8 in. (3 mm) and must be in the hatched area.

Of course, the final door height depends on the gap position of the cabinets that stand to the left and right of the appliance cabinet.

If there is other furniture standing close to the appliance cabinet this furniture typically has a gap between two drawers or two doors. Depending on your kitchen, these gaps are approximately 1/8 in. (3 mm) wide.

► In this case, increase the height of the panel to 27-3/8 in. + 3/4 in. + 19/32 in. - 1/8 in. = 28-19/32 in. (695 mm + 19 mm + 15 mm - 3 mm = 726 mm).

The height of the **refrigerator door panel** is:

Water supply

- ▶ The total opening of the cabinet (i.e. 70-3/8 in. (1788 mm)) plus the thickness of the top as well as the floor board (usually 3/4 in. (19 mm)) minus the height of the freezer door panel (xxx in. (xxx mm)) as calculated above and subtract the width of the gap (approximately 1/8 in. (3 mm)): 70-3/8 in. + 3/4 in. + 3/4 in. - xxx in. - 1/8 in. = 71-25/32 in. - xxx in. (1788 mm + 19 mm + 19 mm - xxx mm - 3 mm = 1823 mm - xxx mm)

5 Water supply*



WARNING

Electrical Shock Hazard!

- ▶ Do not make the water connection while the appliance is connected to an electrical outlet.
- ▶ Disconnect the water supply before connecting the water lines for the IceMaker.
- ▶ The connection to the water supply may only be made by a trained and licensed plumber.

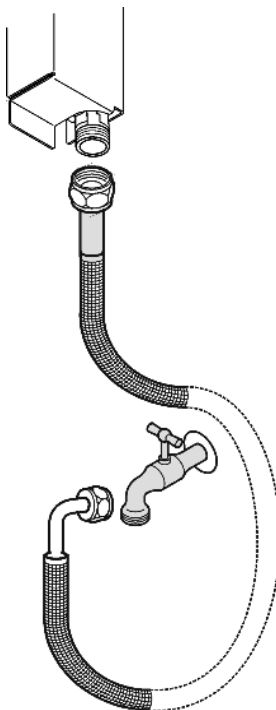


WARNING

Poisoning Hazard!

- ▶ The water quality must comply with the drinking water regulations for the geographical area where the appliance is located.
- ▶ The IceMaker is designed exclusively to make ice cubes in quantities needed by a household and must only be operated with water appropriate for this purpose.

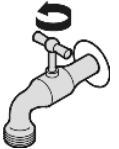
- The water pressure must be between 21.76 psi (1.5 bar) and 87.02 psi (6 bar). (0,15 MPa - 0,6 MPa)
 - Water must be supplied to the appliance by means of a cold-water pipe that can withstand the operating pressure and conforms to hygiene regulations.
- Use the supplied steel hose (59-1/16 " (1.5 m), metric thread) to connect to the water supply. A 118-1/8 " (3 m) hose is available from Customer Service. This hose must be installed by a qualified fitter.
- The connecting piece of the hose contains a filter with a gasket seal.
- A shut-off valve must be provided between the hose line and the domestic water supply to turn off the water supply, if necessary.
 - All devices and fixtures used to supply water must comply with the regulations in force in the respective country.



- Do not damage or bend the water supply pipe during installation.
- ▶ Connect the straight portion of the supplied stainless steel hose to the solenoid valve.

The solenoid valve is located on the back of the appliance at the bottom. It has a Metric R³/₄ male connection.

- ▶ Connect the bent portion of the stainless steel hose to the shut-off valve.
 - ▶ Open the shut-off valve of the water supply pipe and check the entire water system to ensure there are no leaks.
- Before initial operation:
- ▶ Have a competent fitter bleed the water supply pipe.



6 Installation

All installation components are supplied with the appliance.

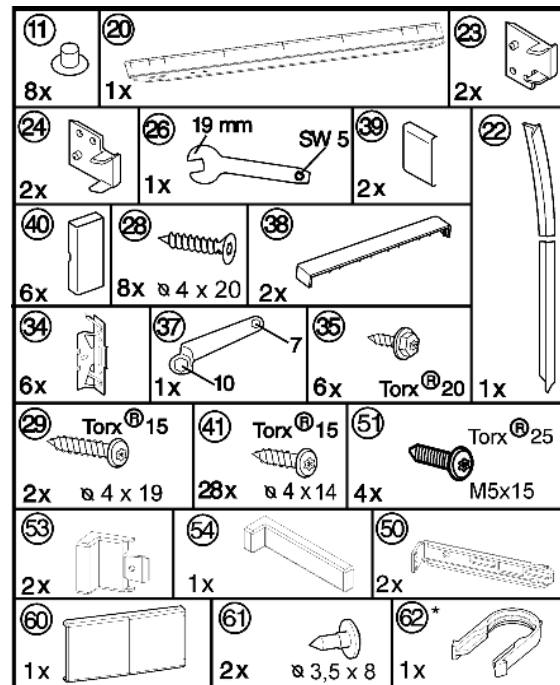


Fig. 8

Make sure you have the following tools on hand:

- Cordless Torx 15, 20, 25 screwdrivers
- Hexagonal wrench 13

The floor and side walls of the unit must be at right angles to one another. Level the unit using a spirit level and set square. If necessary, level up by placing something underneath.

The appliance can also be built into a normal kitchen cabinet. In this case, detach the fittings on the unit door and the recess. They are no longer needed, as the unit door is fitted to the appliance door.

Note

- ▶ Before assembling the unit door, make sure that the permitted weight for the unit doors is not exceeded.
- ▶ Otherwise damage to the hinges and malfunctions arising from this cannot be ruled out.

	Maximum weight of unit door
Fridge compartment door	30.5 lbs (14 kg)
Freezer compartment door	26.5 lbs (12 kg)

6.1 Assembling the appliance

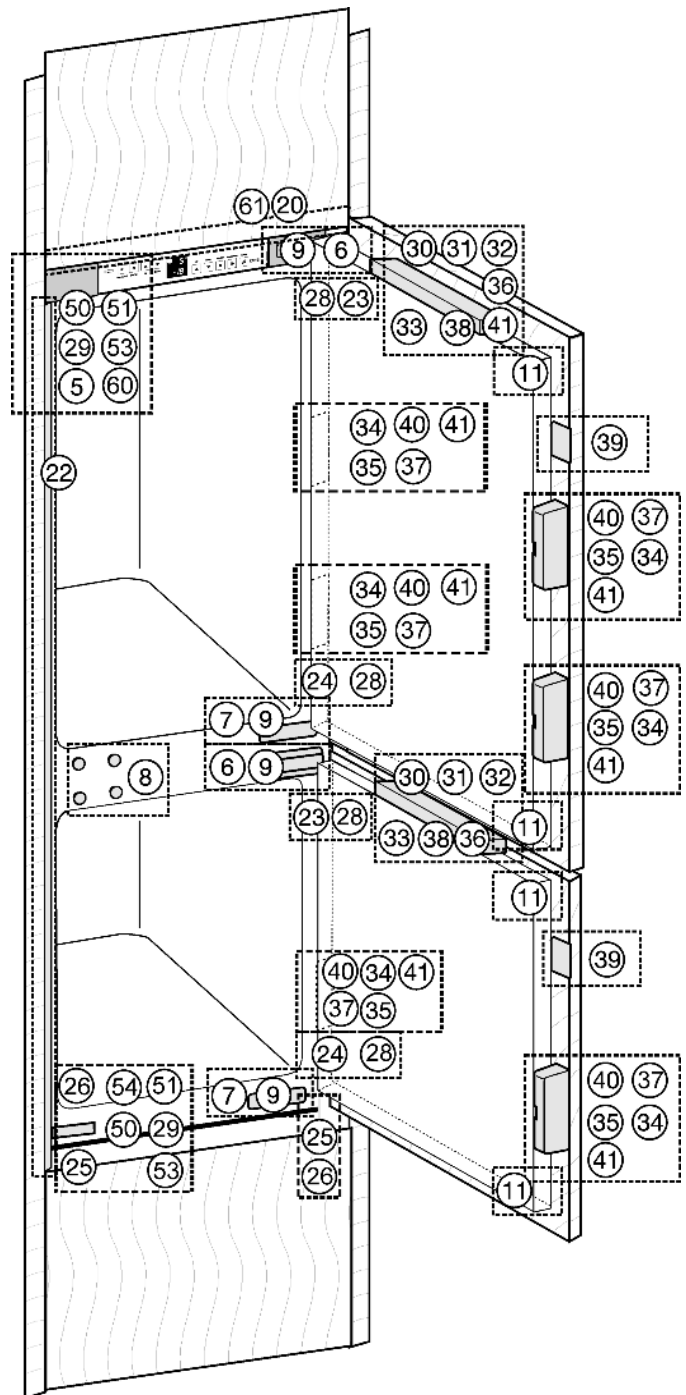


Fig. 9

- ▶ Remove the power supply cable from the back of the appliance. Also remove the cable holder, otherwise there will be vibration noise!
- ▶ Position the power supply cable using a piece of string so that the appliance can easily be connected to the electricity supply after it has been installed.

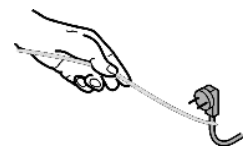


Fig. 10

Installation

For appliances with a fixed water supply for the IceMaker:*

- ▶ Connect the IceMaker as indicated the section entitled Water Supply.*
- ▶ Fit the locking clip *Fig. 11 (62)*.*

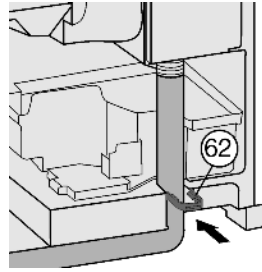


Fig. 11*

All appliances:

- ▶ Push the appliance 3/4 of the way into the recess.
- ▶ Remove the covers *Fig. 9 (5,6,7)*.
- ▶ Screw *Fig. 12 (61)* the equalizer trim *Fig. 12 (20)* to the appliance through the oblong holes on top.

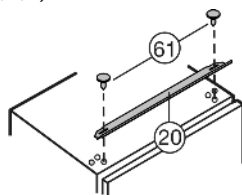


Fig. 12

- ▶ Fasten all mounting brackets *Fig. 13 (34)* with hex head screws *Fig. 13 (35)* to the pre-bored holes in the appliance door.

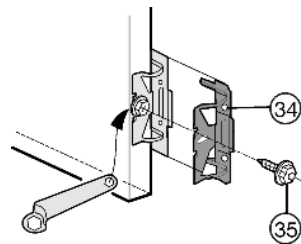


Fig. 13

With 5/8 " (16 mm) thick unit walls = 22-3/8 " (568 mm) wide recess:

- ▶ Clip a spacer *Fig. 14 (23)* onto the upper hinges and a spacer *Fig. 9 (24)* onto the lower hinges.

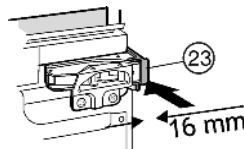


Fig. 14

- ▶ Attach the top and bottom covers *Fig. 15 (53)* to the mounting brackets *Fig. 15 (50)*.
- ▶ Fasten the mounting brackets *Fig. 15 (50)* at the top with screws *Fig. 15 (55)* and at the bottom with screws *Fig. 9 (51)* such that the bracket can still be moved slightly to the left and to the right.

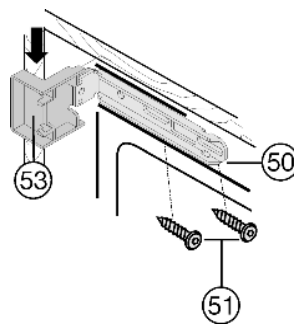


Fig. 15

- ▶ Remove the protective film from the trim *Fig. 16 (22)*. Attach the trim *Fig. 16 (22)* on the handle side and flush with the front to the projecting edge of the cover *Fig. 15 (53)* and glue to the sidewall of the appliance.

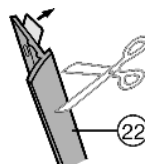


Fig. 16

- ▶ To shorten the trim *Fig. 16 (22)* at the bottom, if necessary: Position the cover *Fig. 9 (54)* on the bottom mounting bracket *Fig. 15 (50)* and shorten the trim *Fig. 16 (22)* so that it is flush with the upper edge of the cover.
- ▶ Remove the cover *Fig. 9 (54)* again.

To slide the appliance in and align it:

- ▶ Slide the appliance in until it comes into contact with the covers *Fig. 15 (53)* on the side wall of the unit. *Fig. 15*
- ▶ **With 5/8 " (16 mm) thick unit walls = 22-3/8 " (568 mm) wide recess:**
- ▶ Allow the spacers on the side wall of the unit to butt up against the appliance.
- ▶ **With 3/4 " (19 mm) thick unit walls = 22-1/8 " (562 mm) wide recess:**
- ▶ Align the front edges of the hinges flush with the side wall of the unit.

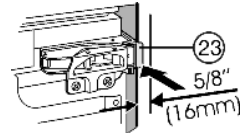


Fig. 17

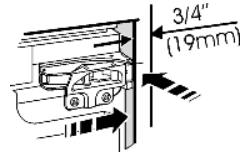


Fig. 18

For units (5/8 " (16 mm) and 3/4 " (19 mm)) with door stop components (knobs, sealing lips, etc.):

- ▶ Allow for the additional distance (depth of door stop components). Allow the hinges and the covers *Fig. 15 (53)* to protrude by the additional distance.

All appliances:

- ▶ Adjust the adjustable feet *Fig. 9 (25)* with the supplied open-ended wrench *Fig. 9 (26)* to align the appliance vertically.
- ▶ The appliance is now correctly positioned in depth. The gap between the front edge of the side wall of the unit and the body of the appliance is 1-21/32 " (42 mm) all the way around. (Allow for door stop components, such as knobs and sealing lips.)

Note

Malfunction due to incorrect assembly!

If the spacing is not correct, the door may not close. This can cause icing up, the formation of condensate, and malfunctions.

- ▶ A continuous space of 1-21/32 " (42 mm) must be maintained. (Allow for door stop components, such as knobs and sealing lips.)

To secure the appliance in the recess:

- ▶ Screw chipboard screws *Fig. 19 (28)* on both doors at the top and at the bottom through the hinge plates.

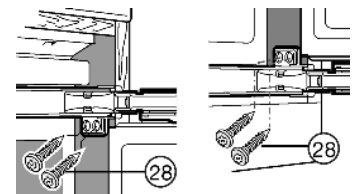


Fig. 19

On the handle side at the top:

- ▶ Slightly loosen the screws Fig. 20 (55).
- ▶ Secure the top mounting bracket Fig. 20 (50) to the unit wall with a $\varnothing 4 \times 19$ chipboard screw Fig. 20 (29).
- ▶ Break off the protruding end of the cover Fig. 20 (53).
- ▶ Tighten the screws Fig. 20 (55).
- ▶ Place the cover Fig. 20 (53) in position.

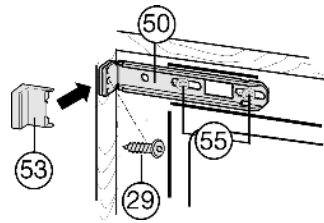


Fig. 20

On the handle side at the bottom:

- ▶ Slightly loosen the screws Fig. 21 (51).
- ▶ Secure the bottom mounting bracket Fig. 21 (50) to the unit wall with a $\varnothing 4 \times 19$ chipboard screw Fig. 21 (29).
- ▶ Break off the protruding end of the cover Fig. 21 (53).
- ▶ Tighten the screws Fig. 21 (51).
- ▶ Place the cover Fig. 21 (54) into position on the bottom mounting bracket Fig. 21 (50).
- ▶ Slide the equalizer trim Fig. 12 (20) toward the handle side as far as it will go.
- ▶ Close the appliance door.

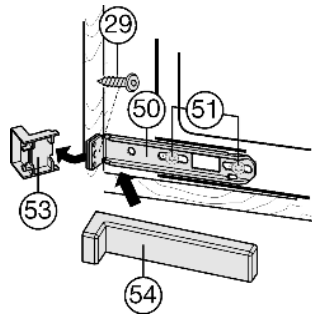


Fig. 21

6.2 Fitting the unit doors

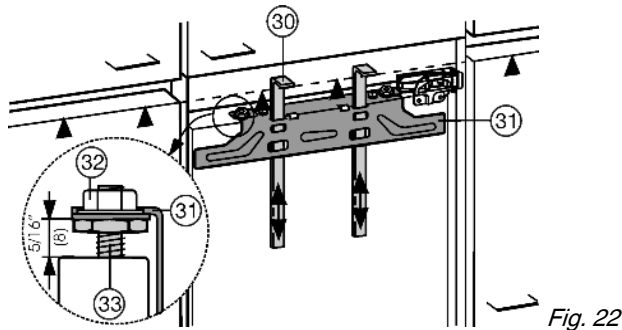


Fig. 22

The fitting aids Fig. 22 (30) are required for both doors. You must therefore fit the unit doors one after the other.

- ▶ Verify the 5/16 " (8 mm) presetting. (Distance between appliance door and lower edge of crosspiece)
- ▶ Raise the fitting aids Fig. 22 (30) to the unit door height. Bottom stop edge ▲ of fitting aid = top edge of unit door to be fitted.

- ▶ Unscrew the crosspiece Fig. 23 (31) by undoing the locknuts Fig. 23 (32).
- ▶ Hang the crosspiece Fig. 23 (31) on the inside of the unit door using the fitting aids Fig. 23 (30).

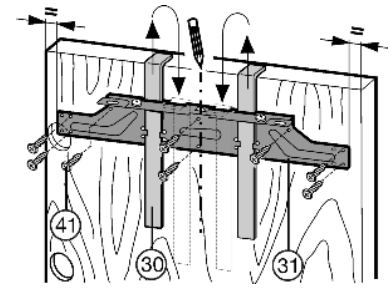


Fig. 23

- ▶ **For a 23-5/8 " (600 mm) wide recess:**
 - ▶ To center the crosspiece Fig. 23 (31): Mark a short center line on the unit door and place the tip of the arrow on the crosspiece over it.
 - ▷ Distances to the outer edges are the same to the right and to the left.
- ▶ **For a 24 " (609.6 mm) wide recess:**
 - ▶ To align the crosspiece Fig. 23 (31): Mark a short center line on the unit door and place the tip of the arrow on the crosspiece over it. Now shift the crosspiece Fig. 23 (31) 3/16 in. (5.5 mm) towards the hinge side.
- ▶ **For chipboard doors:**
 - ▶ Fasten the crosspiece Fig. 23 (31) with at least 6 screws Fig. 23 (41).
- ▶ **For frame and panel doors:**
 - ▶ Fasten the crosspiece Fig. 23 (31) with 4 screws Fig. 23 (41) at the edge.
 - ▶ Lift up the fitting aids Fig. 23 (30), turn them around, and insert them into the adjacent openings.

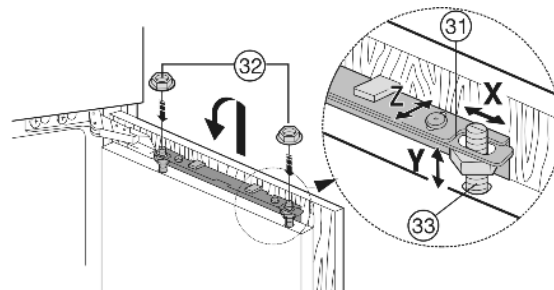


Fig. 24

- ▶ Attach the unit door on the adjusting bolts Fig. 24 (33) and loosely screw the locknuts Fig. 24 (32) onto the adjusting bolts.
- ▶ Close the door.
- ▶ Check the gap between the door and the surrounding unit doors.
- ▶ To laterally align the unit door: Move the unit door in the X direction.
- ▶ To align the unit door in height and in lateral inclination: Adjust the adjusting bolts Fig. 24 (33) with a screwdriver.
- ▷ The unit door is flush and in alignment with the surrounding unit fronts.
- ▶ Tighten the locknuts Fig. 24 (32).

Installation

Ensure that both metal edges are flush, symbol //:

- ▶ Drill pilot holes in the door of the unit (you could make a preliminary hole with a bradawl).

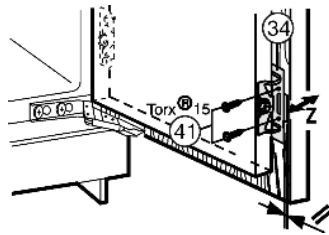


Fig. 25

- ▶ Fasten the appliance door to the unit door with screws Fig. 25 (41) through the mounting brackets Fig. 25 (34).

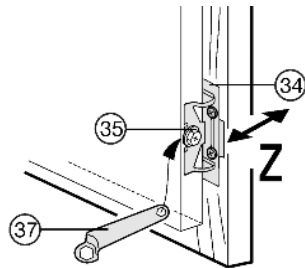
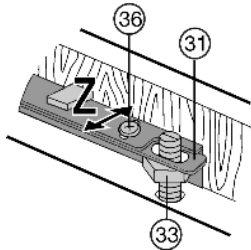
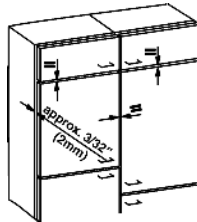


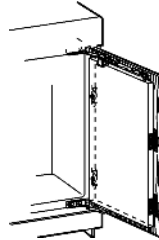
Fig. 26

- ▶ To align the unit door in depth Z: Undo the screws Fig. 26 (36) at the top and the hex head screws Fig. 26 (35) at the bottom using the ring wrench Fig. 26 (37) supplied, then move the door.
- ▶ Do not allow the knobs and sealing lips to come into contact with the door - important for function!
- ▶ Set an air gap of 3/32" (2 mm) between the door of the unit and the body of the unit.



For large unit doors:

- ▶ Fit a 3rd pair of mounting brackets Fig. 26 (34).
- ▶ Use the holes pre-drilled in the handle area of the appliance door for this purpose.



- ▶ Check the fit of the door and re-adjust, if necessary.
- ▶ Tighten all screws.

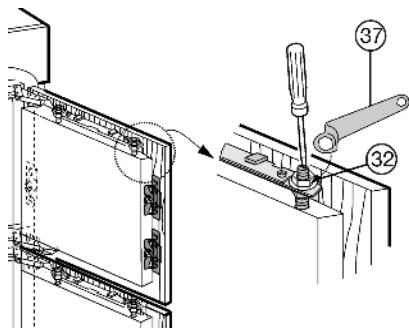


Fig. 27

- ▶ Tighten the locknuts Fig. 27 (32) with the ring wrench Fig. 27 (37) while bracing the adjusting bolts Fig. 27 (33) with a screwdriver.

- ▶ Position the upper covers Fig. 28 (38) and snap into place.
- ▶ Place the side covers Fig. 28 (39) in position, slide to the limit and then press until they snap audibly into place.
- ▶ Attach the covers Fig. 28 (40) to the side and then draw them forward with a screwdriver, so that they snap properly into place.

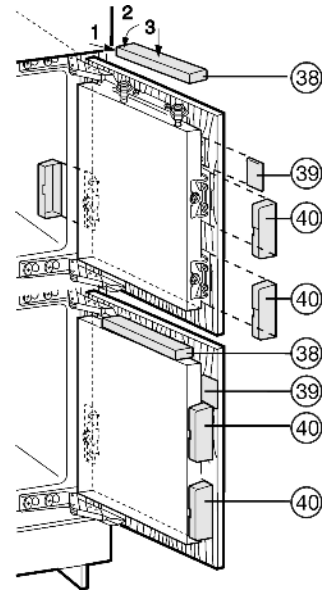


Fig. 28

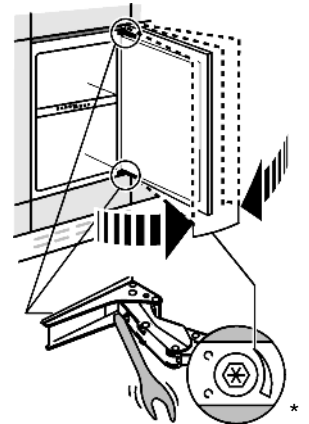
For a 24" (609.6 mm) wide recess:

- ▶ Position the covers Fig. 9 (6,7,60) and snap into place.
- ### For a 23-5/8" (600 mm) wide recess:
- ▶ Position the covers Fig. 9 (5,6,7) and snap into place.

For appliances without a stop mechanism, adjust the opening resilience:

The opening resilience of the door can be adjusted if necessary using the Allen wrench supplied.*

- ▶ For more spring force: Turn clockwise.*
- ▶ For less spring force (factory setting): Turn counterclockwise.*
- ▶ Attach the remaining covers to the hinges.*



Check the following points to ensure that the appliance has been installed correctly. Incorrect installation can cause icing up, the formation of condensate, and malfunctions:

- ▷ The door must close properly.
- ▷ The door of the unit must not touch the body of the unit.
- ▷ The seal at the top edge on the handle side must fit tightly. To verify this, darken the room, place a flashlight inside the appliance near the top, and close the door. If you see light shining through, check the assembly.

7 Connecting the appliance



WARNING

Electrical shock hazard!

- ▶ Start-up should only take place once the appliance has been installed according to these instructions.
 - ▶ Electrically ground appliance.
 - ▶ Do not ground to a gas pipe.
 - ▶ Check with a qualified electrician if you are not sure the appliance is properly grounded.
 - ▶ Do not have a fuse in the neutral or grounding circuit.
 - ▶ Do not use an extension cord or a multiple socket.
 - ▶ Do not use a power cord that is frayed or damaged.
-



WARNING

Electrical shock hazard!

This appliance is equipped with a three-prong (grounding) polarized plug for your protection against possible shock hazards. Electrical Grounding Required.

- ▶ Do not remove the round grounding prong from the plug.
 - ▶ Do not use a two-prong grounding adapter.
-

- Wait 30 minutes up to 1 hour after installation before you plug in the appliance. This allows the refrigerant and system lubrication to reach equilibrium.
- Make sure incoming voltage is the same as the appliance rating. A 110-120 Volt, 60 Hz, 15 Amp electrical supply (20 Amp for side-by-side installations) circuit that is controlled by a circuit breaker or fuse is required.
- We recommend using a dedicated circuit for this appliance to prevent electrical overload.
- Follow all Federal, State and local electrical, fire and building codes and ordinances when installing the receptacle and / or the appliance.
- In some communities, a wall switch is required to turn power to the appliance ON and OFF.
- To reduce the risk of fire, electric shock, or personal injury, installation work and electrical wiring must be done by a qualified electrician in accordance with all applicable codes and standards, including fire-rated construction.
- You are advised to clean the appliance before switching it on the first time (see Cleaning).
- The top of the electric outlet must be located within 82-5/8 in. (2100 mm) from the top of the base in the cabinet.

Connecting the appliance

Free Manuals Download Website
<http://myh66.com>
<http://usermanuals.us>
<http://www.somanuals.com>
<http://www.4manuals.cc>
<http://www.manual-lib.com>
<http://www.404manual.com>
<http://www.luxmanual.com>
<http://aubethermostatmanual.com>

Golf course search by state

<http://golfingnear.com>

Email search by domain

<http://emailbydomain.com>

Auto manuals search

<http://auto.somanuals.com>

TV manuals search

<http://tv.somanuals.com>