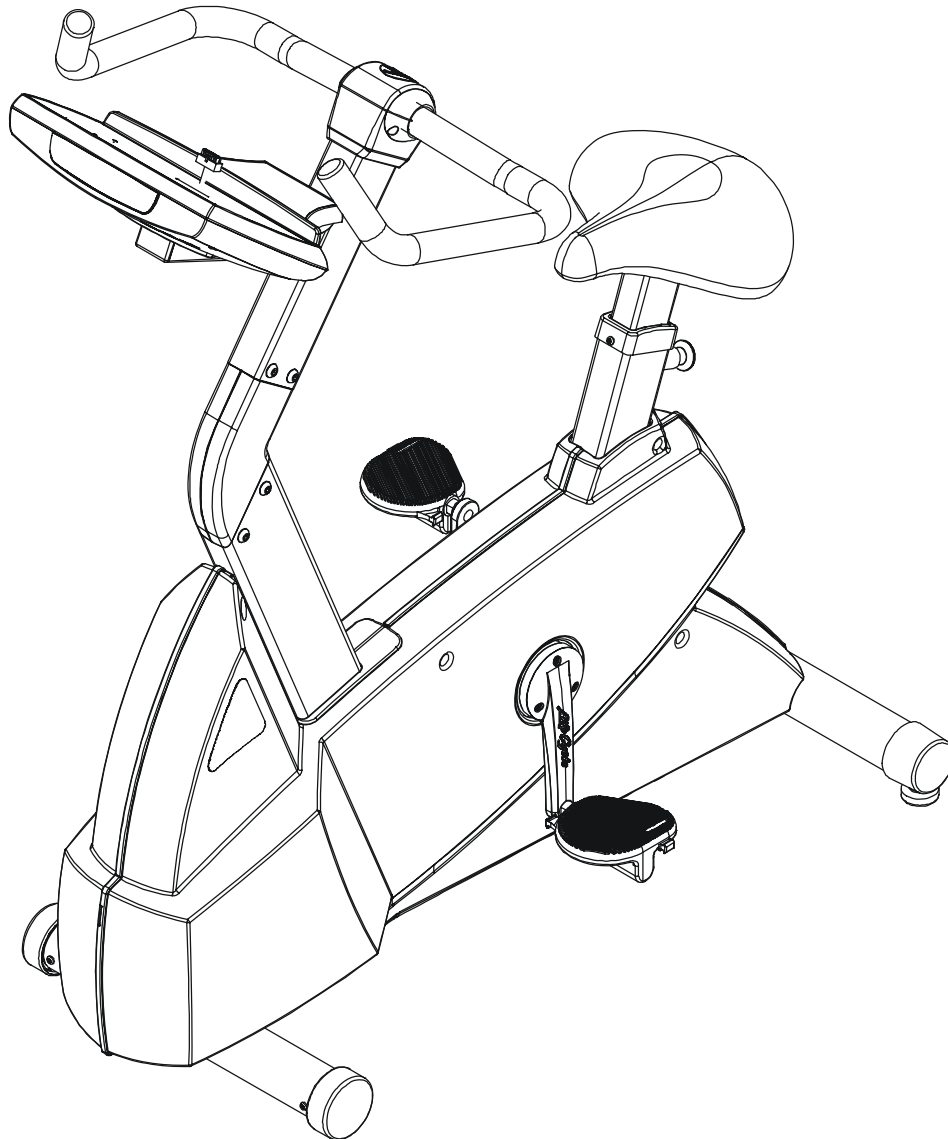


LifeFitness

ARCTIC SILVER 95CWEZ Upright Bike

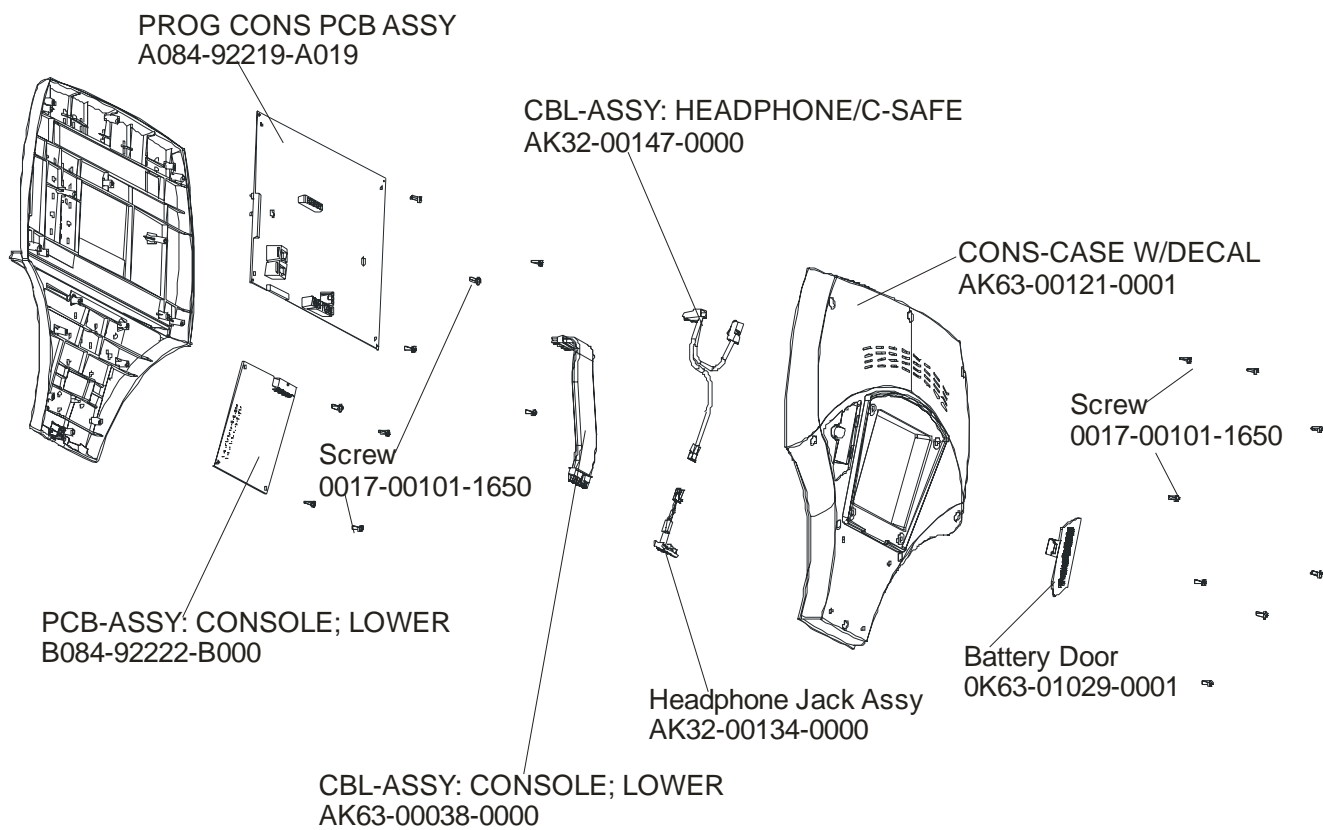


Customer Support Services
PARTS MANUAL revised01 May 2008

Miscellaneous	3
Console and Related Components	4
Console Mounting Screws and Polar Covers	5
Alternator w/Pulley	6
Crankshaft and Bearing Assembly	7
Intermediate Shaft and Bearing Assembly	8
Seat Latch Assembly	9
Seat Post Assembly.....	10
Seat Post Shrouds	11
Idler Bracket Assembly	12
Console Support Assembly	13
Left Side Shroud and Crankarm	14
Right Side Shroud and Crankarm.....	15
PCB Mounting Bracket Assembly	16
Front Wheels	17
Resistor Assembly	18
Handlebar Assembly	19
Belts	20
Cables	21

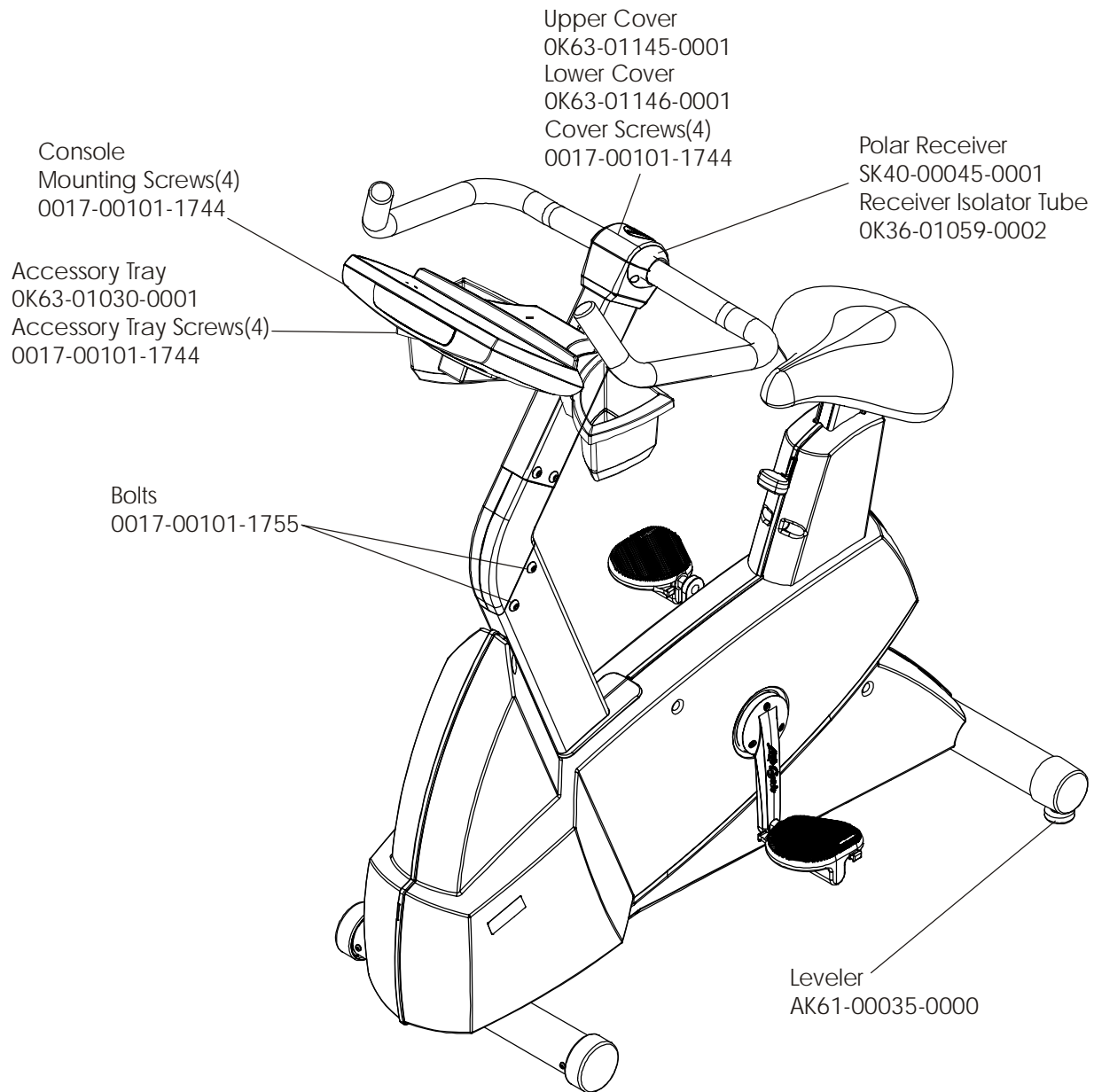
Description	Part No.
OPERATION MANUAL - (ENG)	M051-00K63-A200
OPERATION MANUAL - (F/S/P)	M051-00K63-A201
OPERATION MANUAL - (G/D/I)	M051-00K63-A202
OPERATION MANUAL - (JAP)	M051-00K63-A203
HARDWARE BAG	GK63-00002-0044
POWER OPTION KIT - 120V	GK63-00002-0005
POWER OPTION KIT - 220/50 UK	GK63-00002-0039
POWER OPTION KIT - 240V+ AUS	GK63-00002-0040
POWER OPTION KIT - 220/50	GK63-00002-0041
TOUCH UP PAINT: SPRAY CAN .5 OZ BOTTLE W/APPLICATOR .33 OZ PEN	0017-00008-0204 0017-00008-0205 0017-00008-0206
120" POWER EXTENSION CABLE	AK32-00078-0001
90" COAX CABLE	AK32-00020-0001
ER READY BRACKET ASSEMBLY ASSEMBLY CONSISTS OF: 1) ER READY BRACKET 2) F TYPE CONNECTOR	AK63-00215-0000 OK63-01329-0000 0017-00021-2846
SERVICE MANUAL	M051-00K63-A009

Note: This model is a combination of the attachable LCD TV (LCDCEZ-XXXX-01) and the base unit 95CWEZ-XXXX-04 (alpha code CWE). The unit has both Lifepulse sensors and telemetry for reading heart rate.

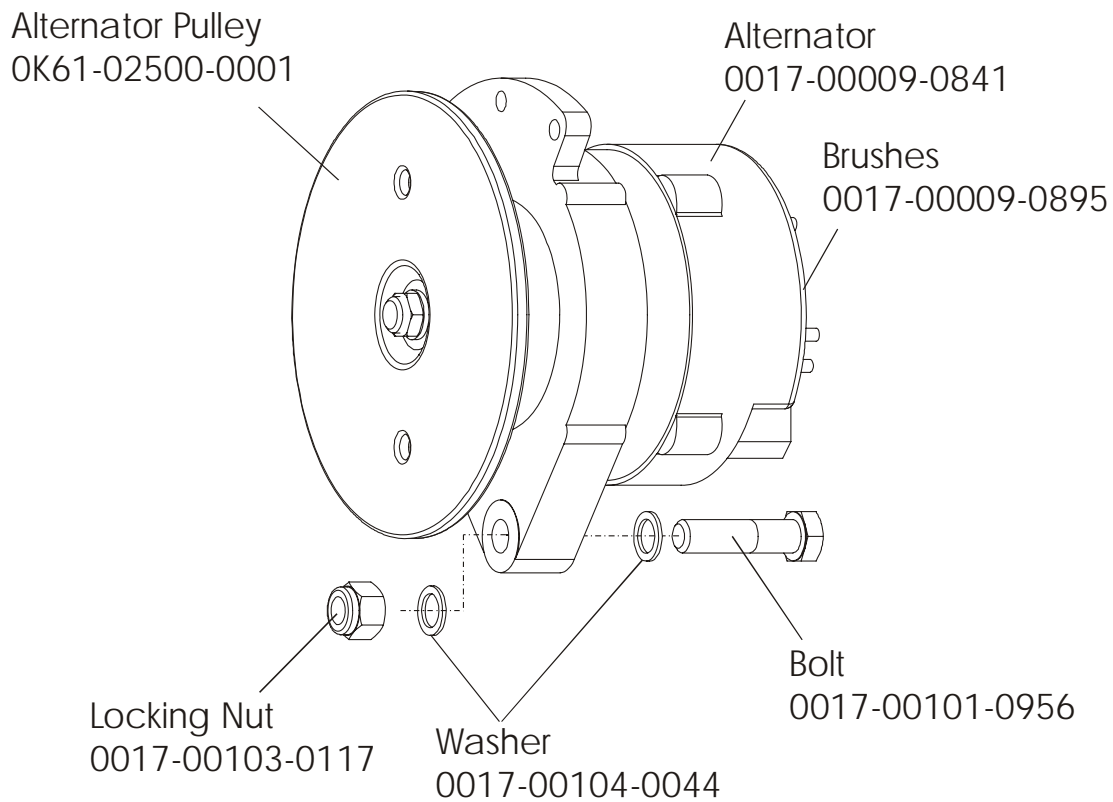


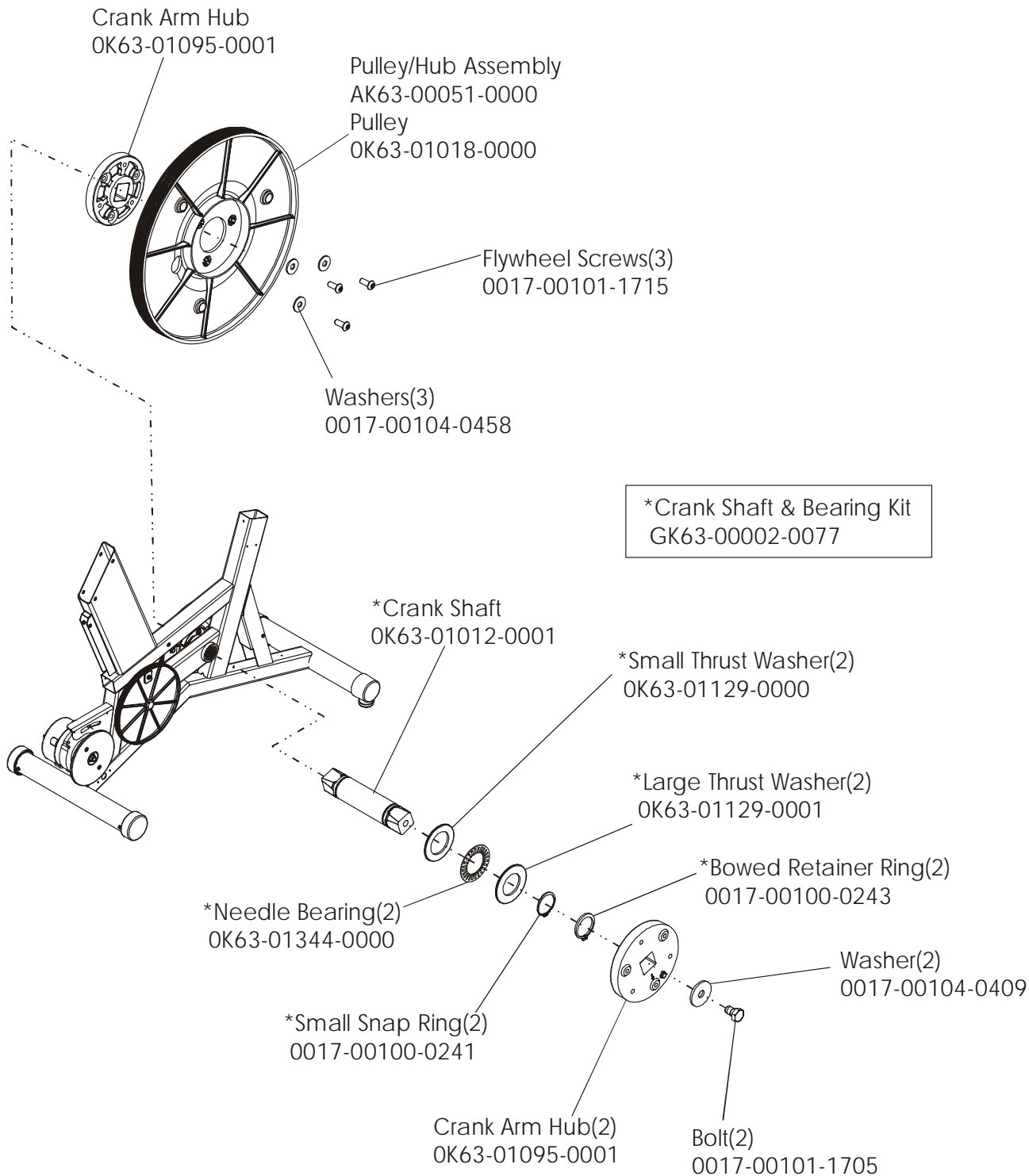
Console Assembly	Part No.
CONS-ASSY: 95CWEZ; ENG	AK63-00251-0001
CONS-ASSY; 95CWEZ; EUR	AK63-00251-0002
CONS-ASSY; 95CWEZ; GER	AK63-00251-0003
CONS-ASSY; 95CWEZ; SPN	AK63-00251-0004
CONS-ASSY; 95CWEZ; JAP	AK63-00251-0006
CONS-ASSY; 95CWEZ; FRN	AK63-00251-0007
CONS-ASSY; 95CWEZ; ITL	AK63-00251-0008
CONS-ASSY; 95CWEZ; DUT	AK63-00251-0009
CONS-ASSY; 95CWEZ; POR	AK63-00251-0010
CONS-ASSY; 95CWEZ; TUR	AK63-00251-0014

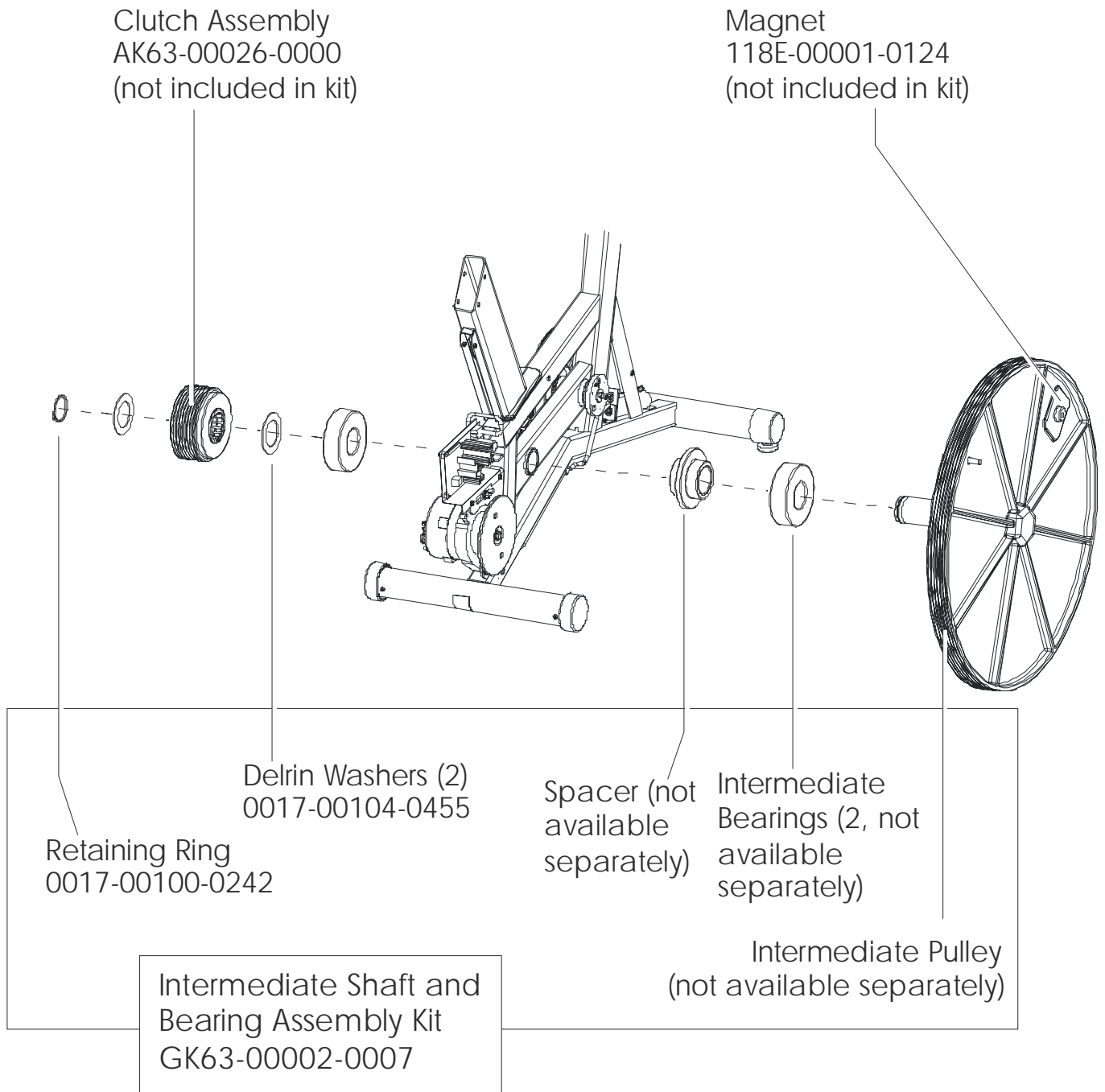
Bezel/Switch w/Overlay Assembly	Part No.
BZL/SW W/OVERLAY ASSY: MFG; 95CWEZ/95REZ ENG	AK63-00250-0001
BZL/SW W/OVERLAY ASSY: MFG; 95CWEZ/95REZ ENG	AK63-00250-0001
BZL/SW W/OVERLAY ASSY: 95CWEZ/95REZ GER	AK63-00250-0003
BZL/SW W/OVERLAY ASSY: 95CWEZ/95REZ SPN	AK63-00250-0004
BZL/SW W/OVERLAY ASSY: 95CWEZ/95REZ JAP	AK63-00250-0006
BZL/SW W/OVERLAY ASSY: 95CWEZ/95REZ FRN	AK63-00250-0007
BZL/SW W/OVERLAY ASSY: 95CWEZ/95REZ ITL	AK63-00250-0008
BZL/SW W/OVERLAY ASSY: 95CWEZ/95REZ DUT	AK63-00250-0009
BZL/SW W/OVERLAY ASSY: 95CWEZ/95REZ POR	AK63-00250-0010
BZL/SW W/OVERLAY ASSY: MFG; 95CWEZ/95REZ ENG	AK63-00250-0001



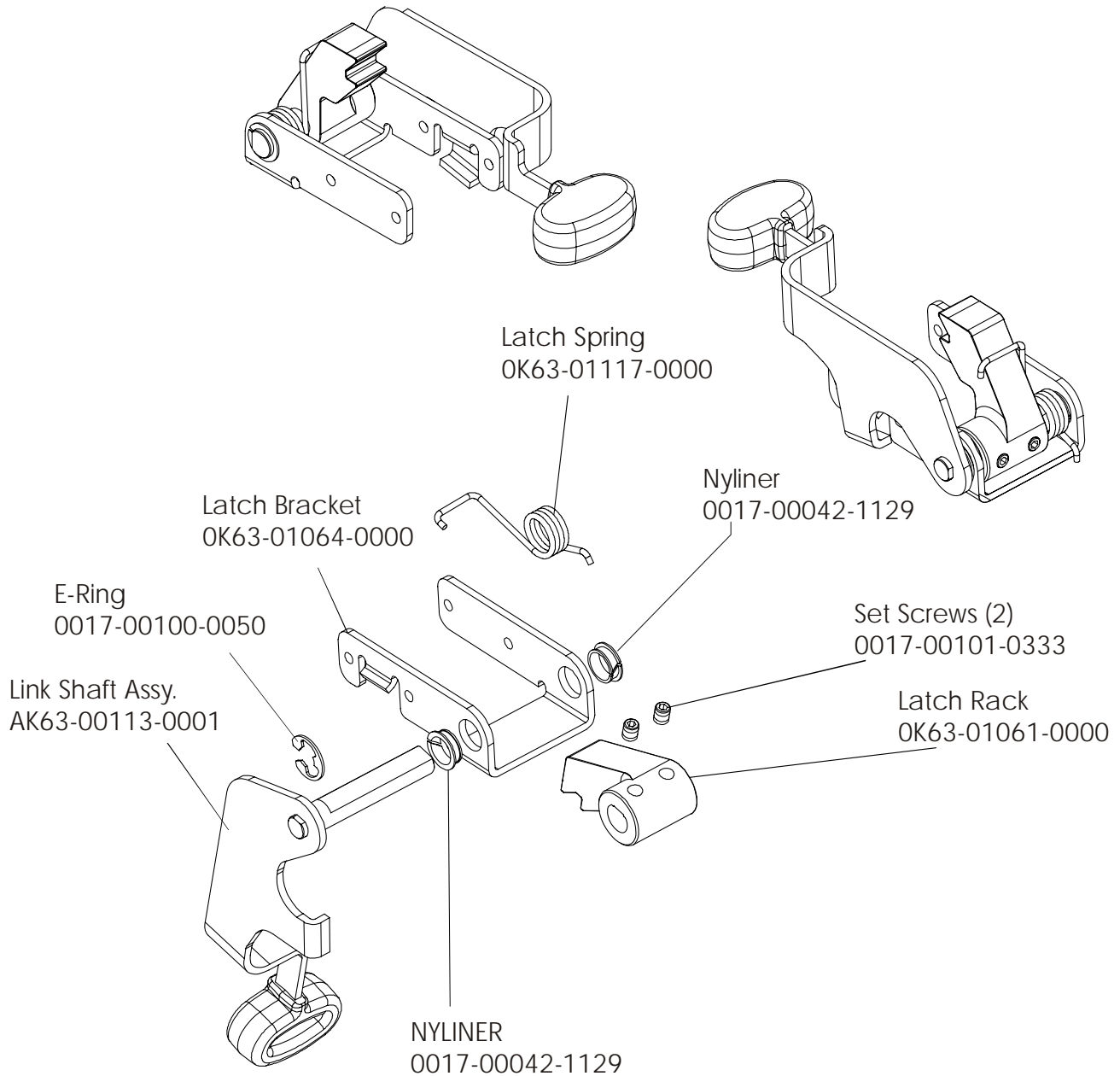
Alternator w/Pulley
AK63-00093-0000

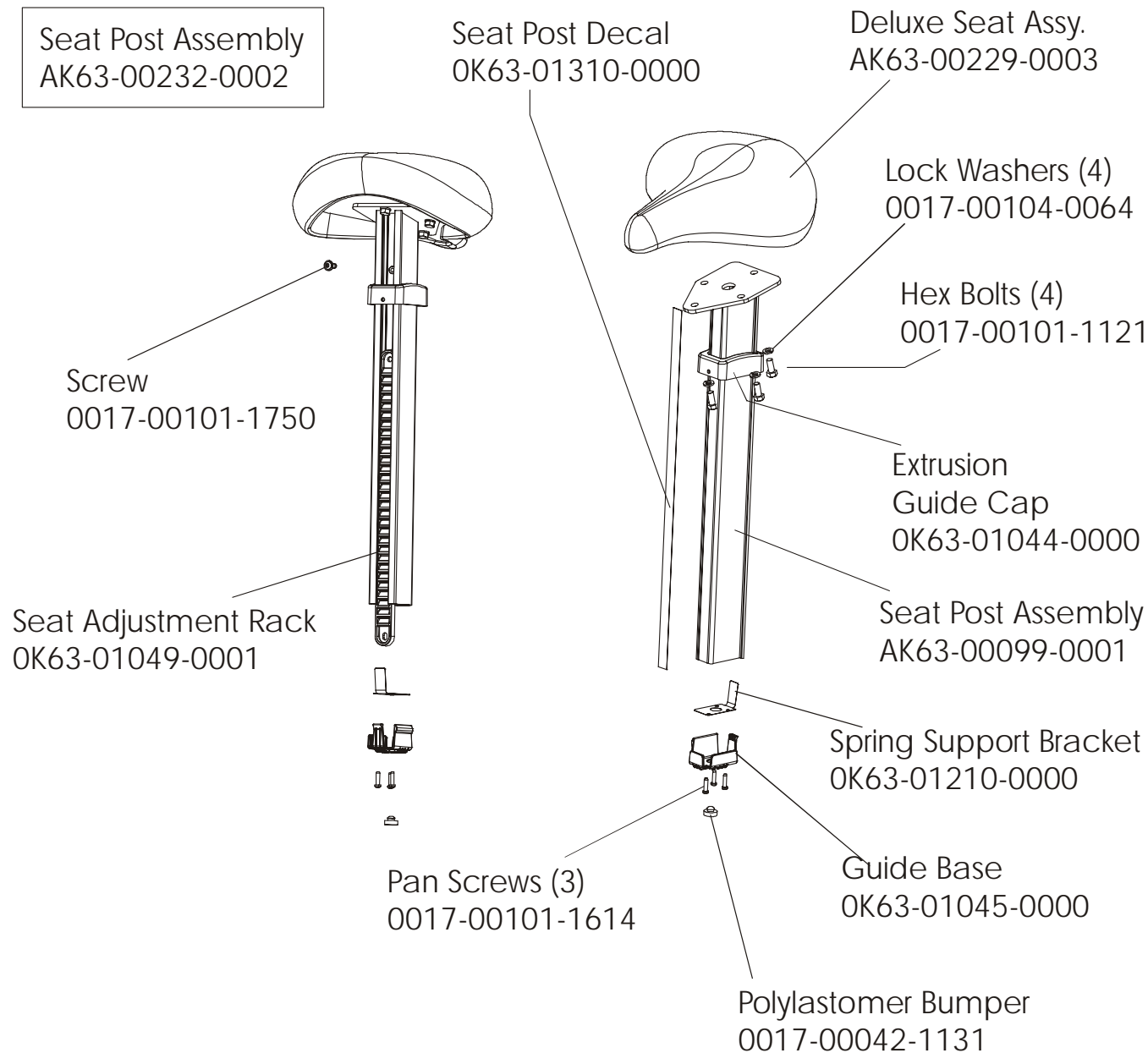


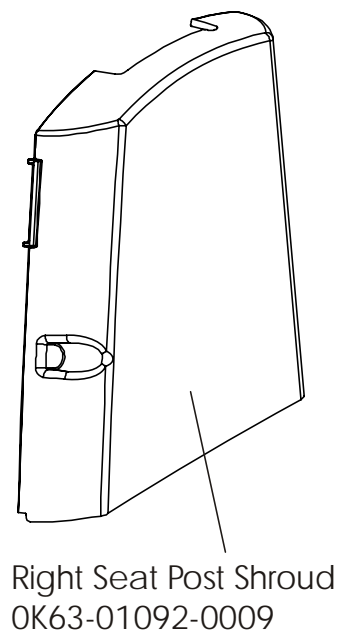
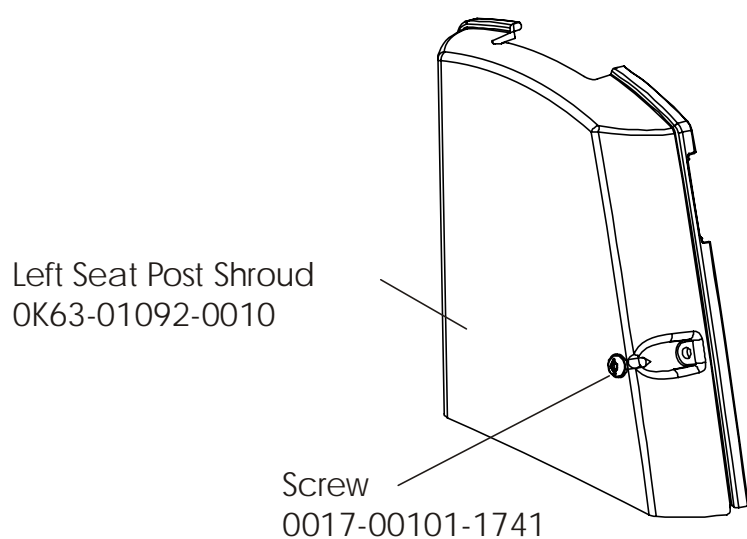




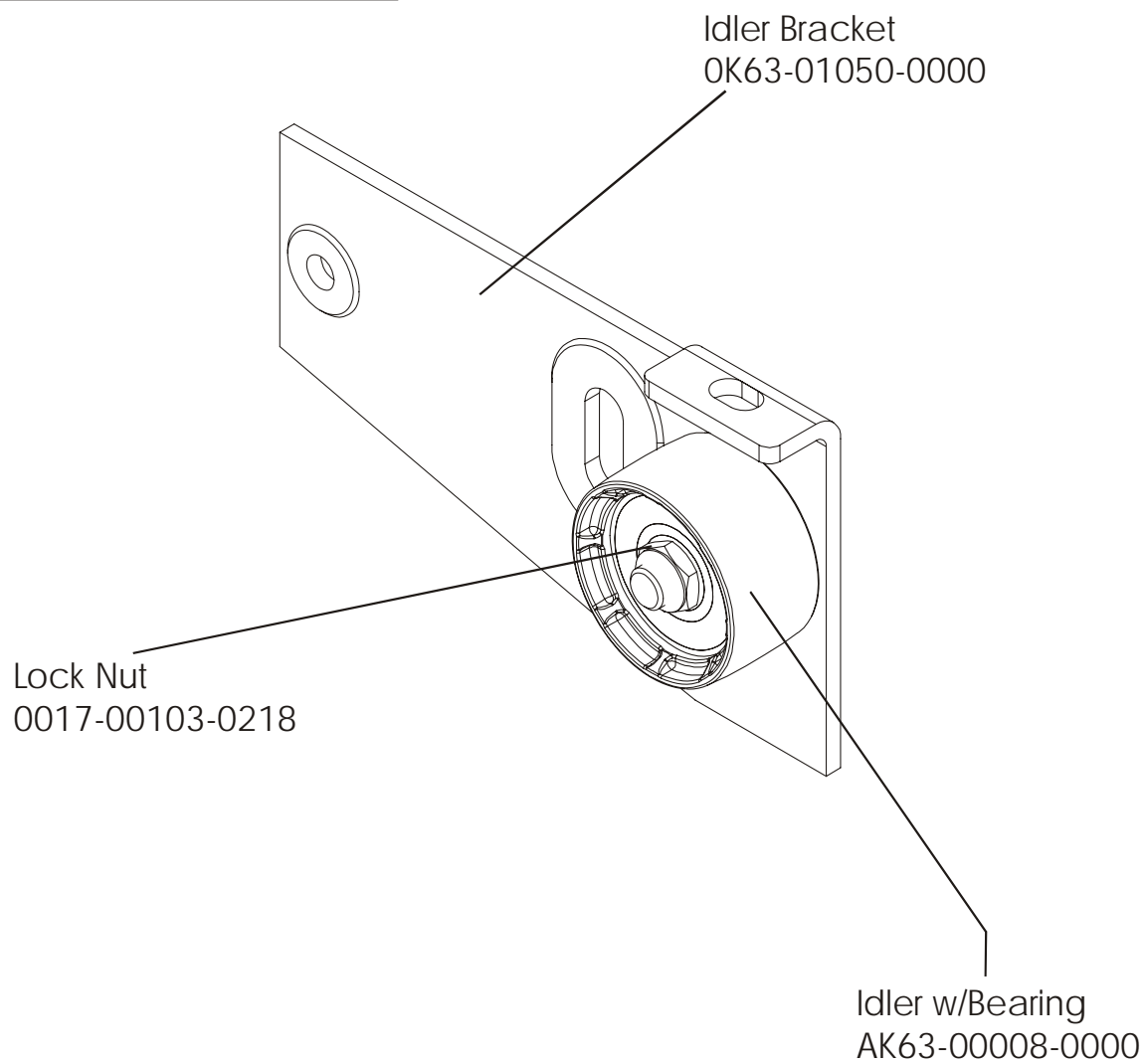
Seat Latch Assembly
AK63-00043-0001

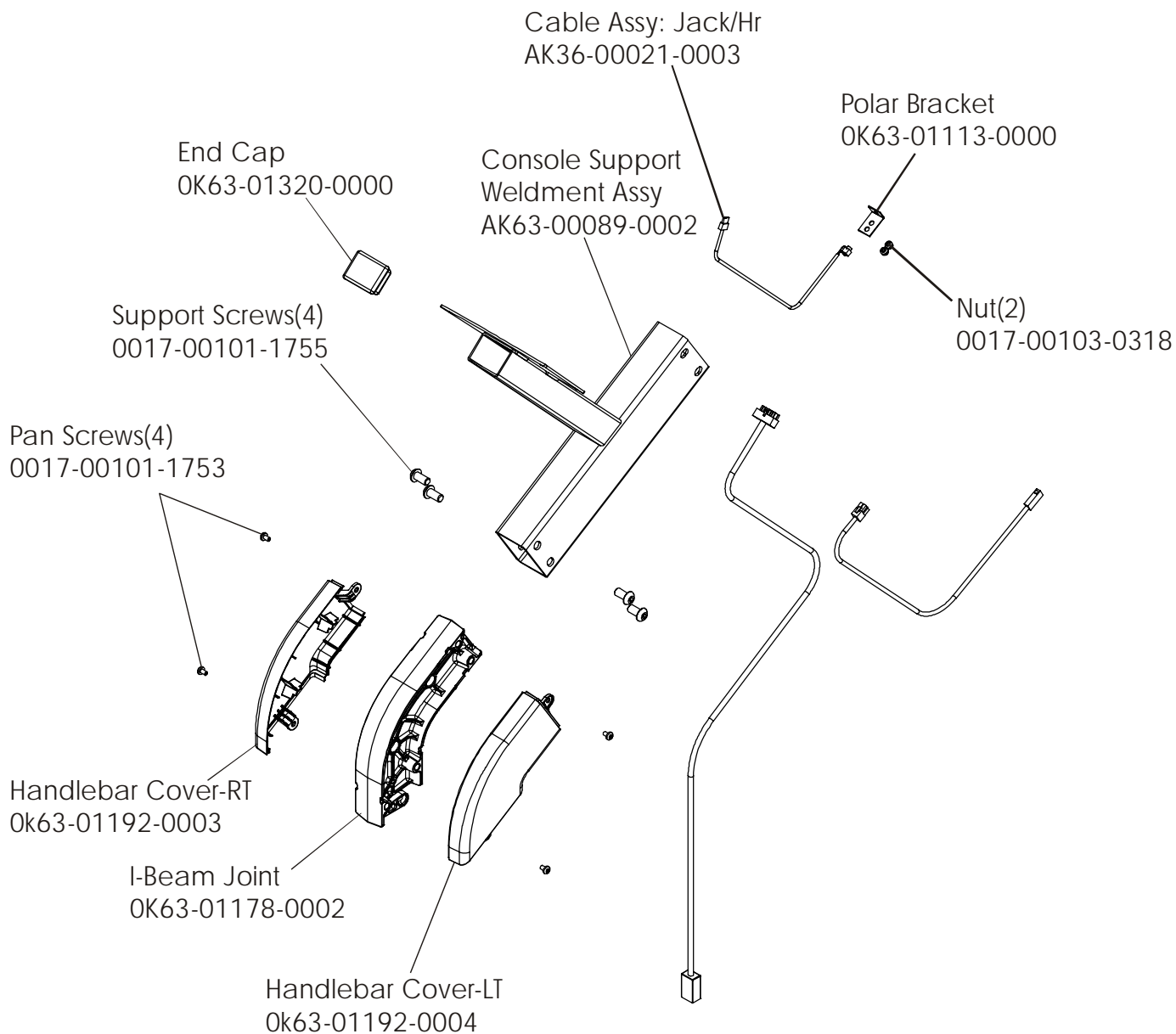


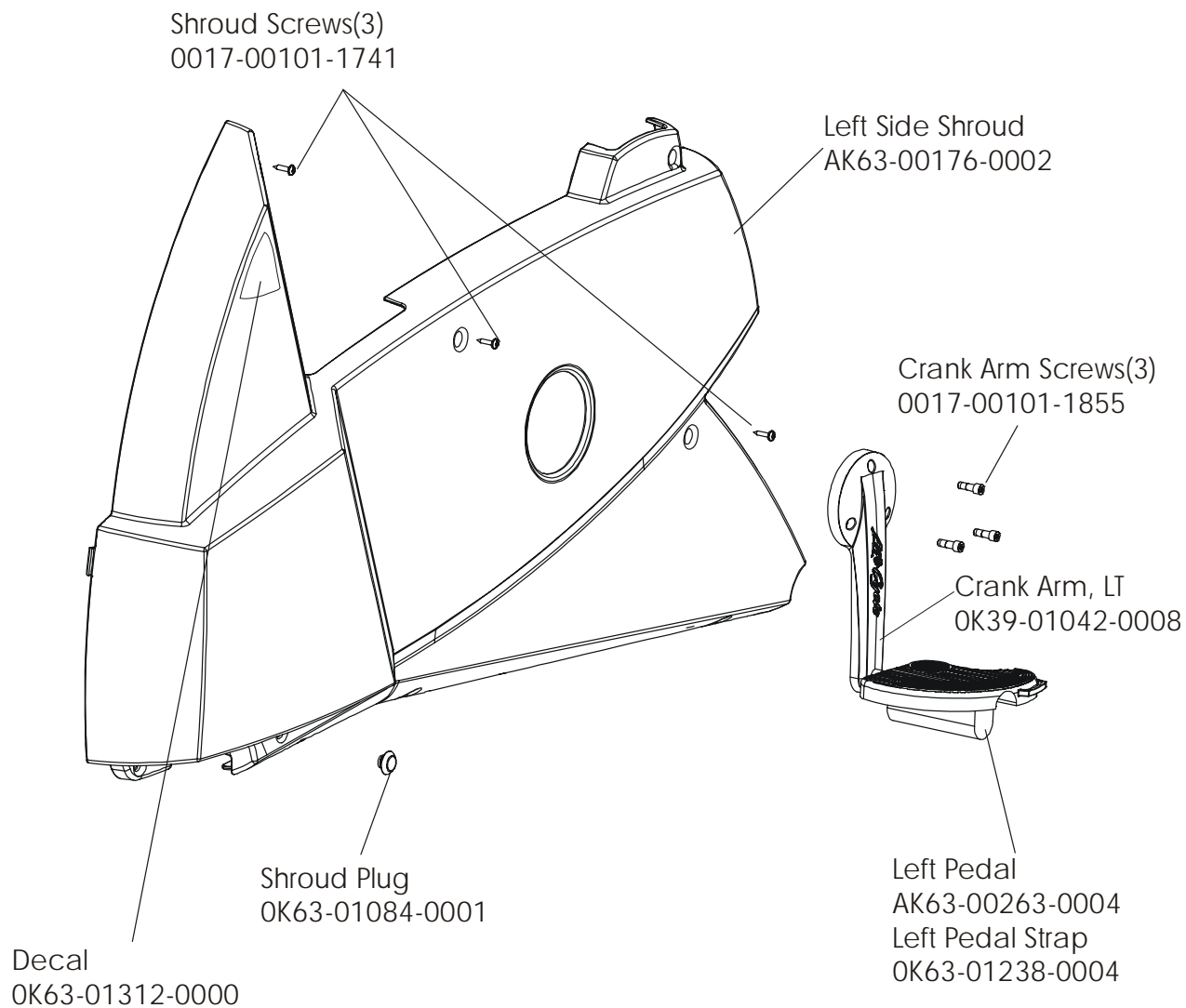


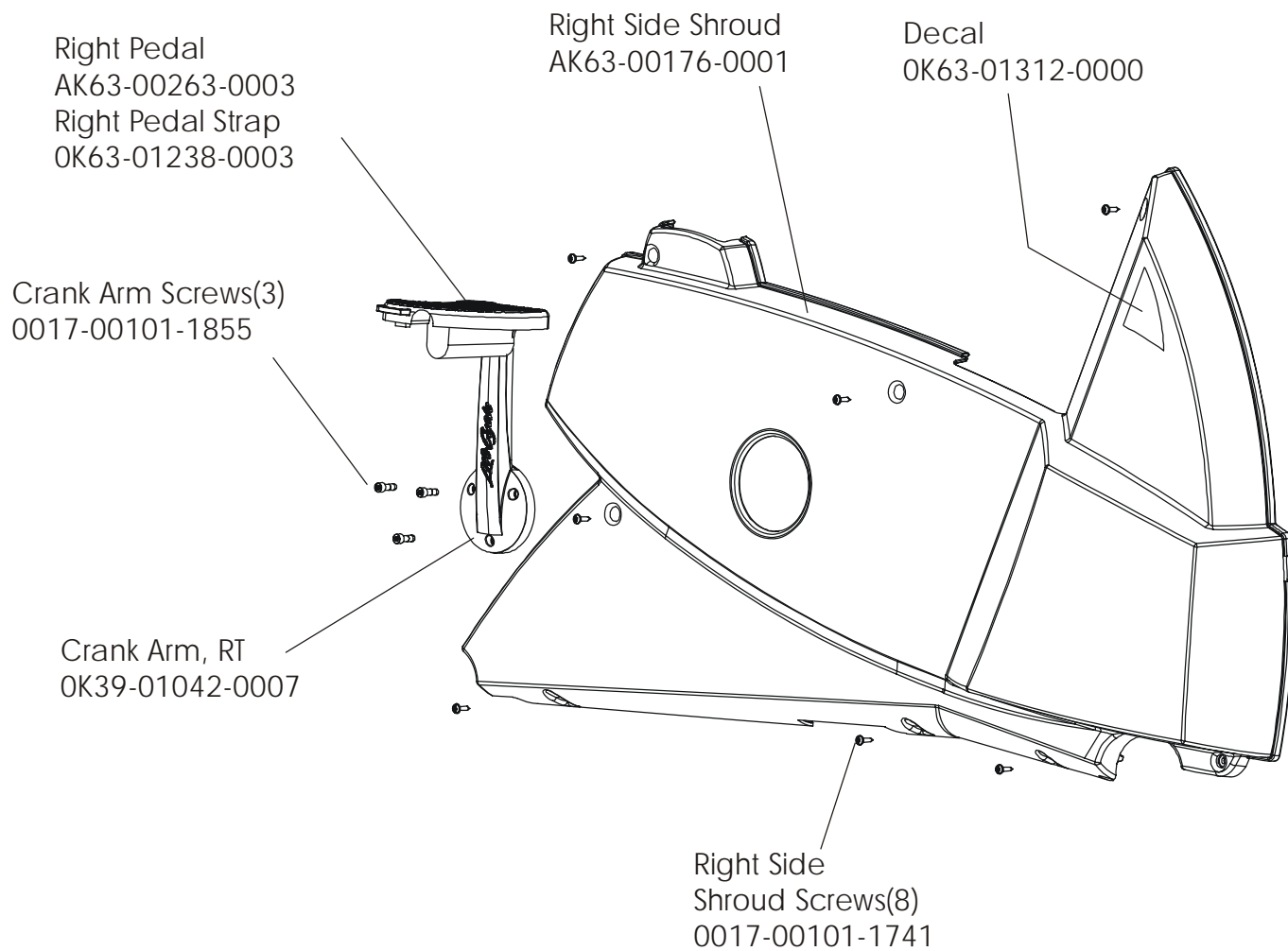


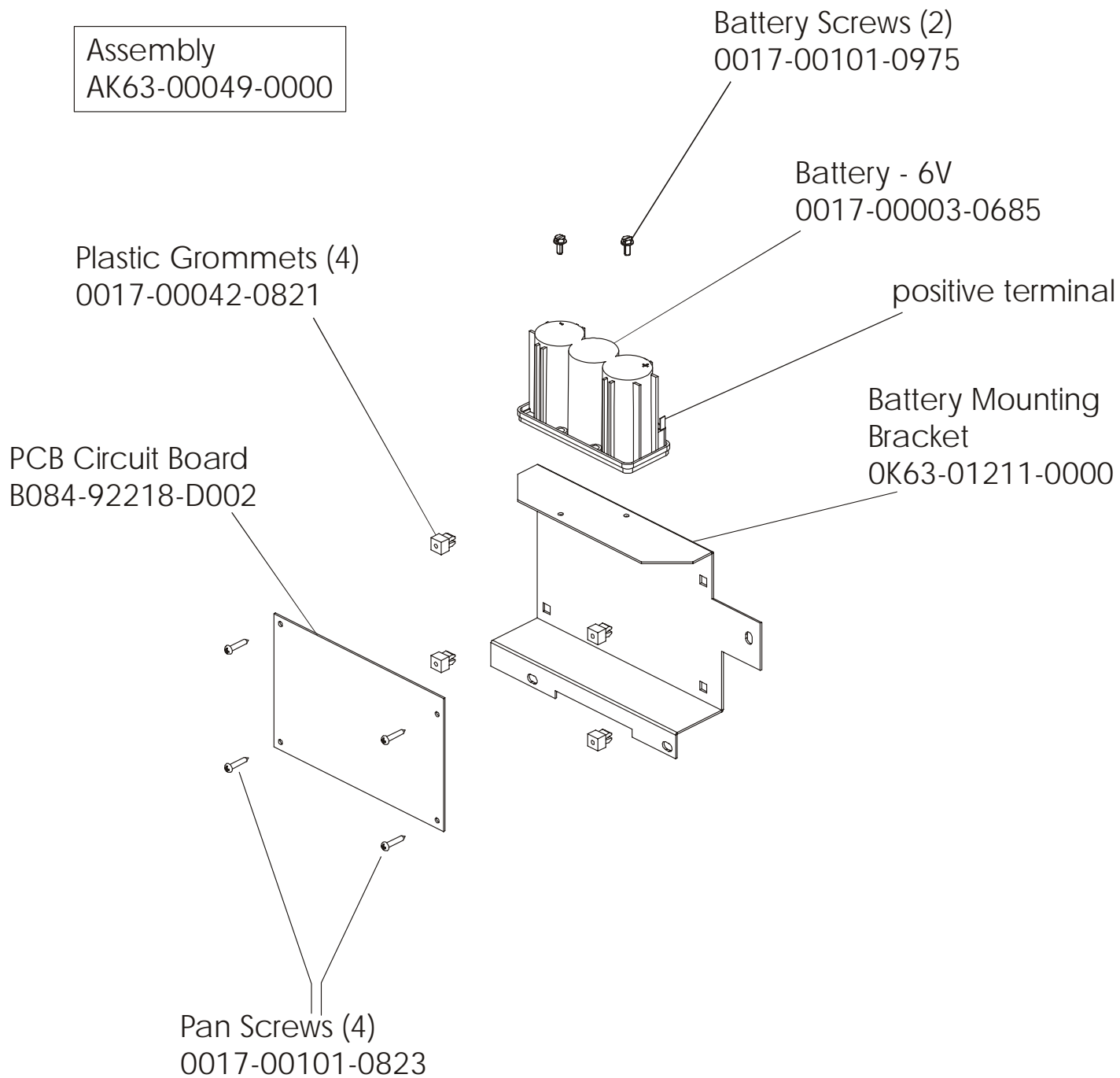
Idler Bracket Assembly
AK63-00021-0000







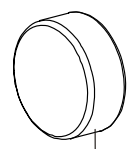




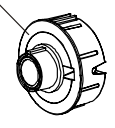
Front Wheels
AK63-00017-0001

Wheel Screw
0017-00101-1747

Wheel Insert
OK63-01039-0000

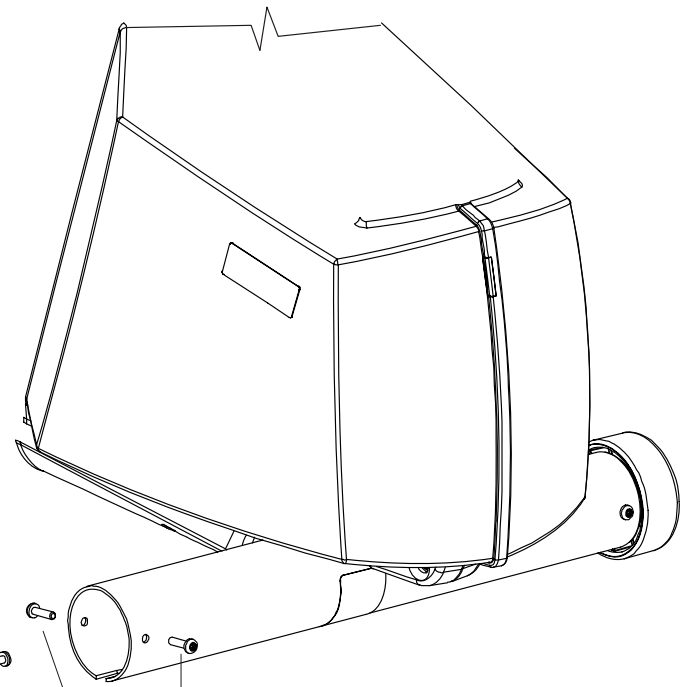


Wheel/Bearing Assembly
AK63-00016-0001

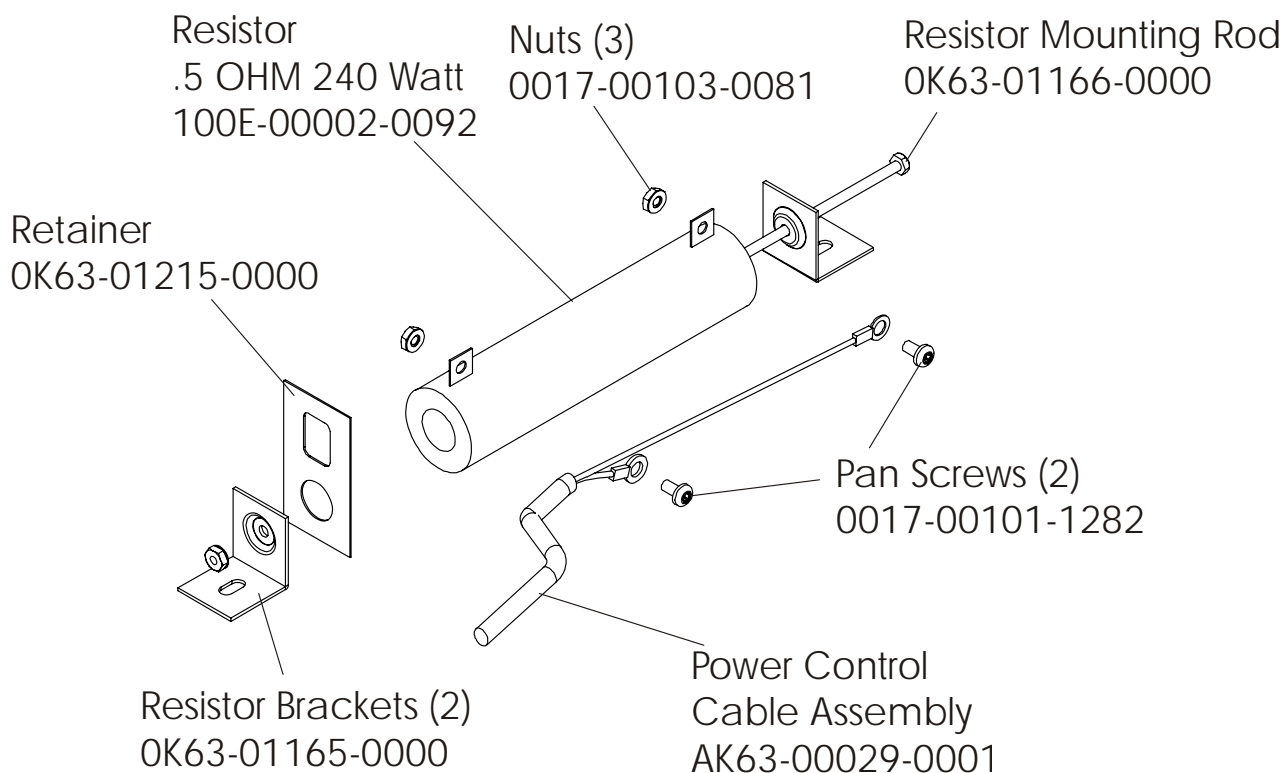


Flat Washer
OK63-01041-0000

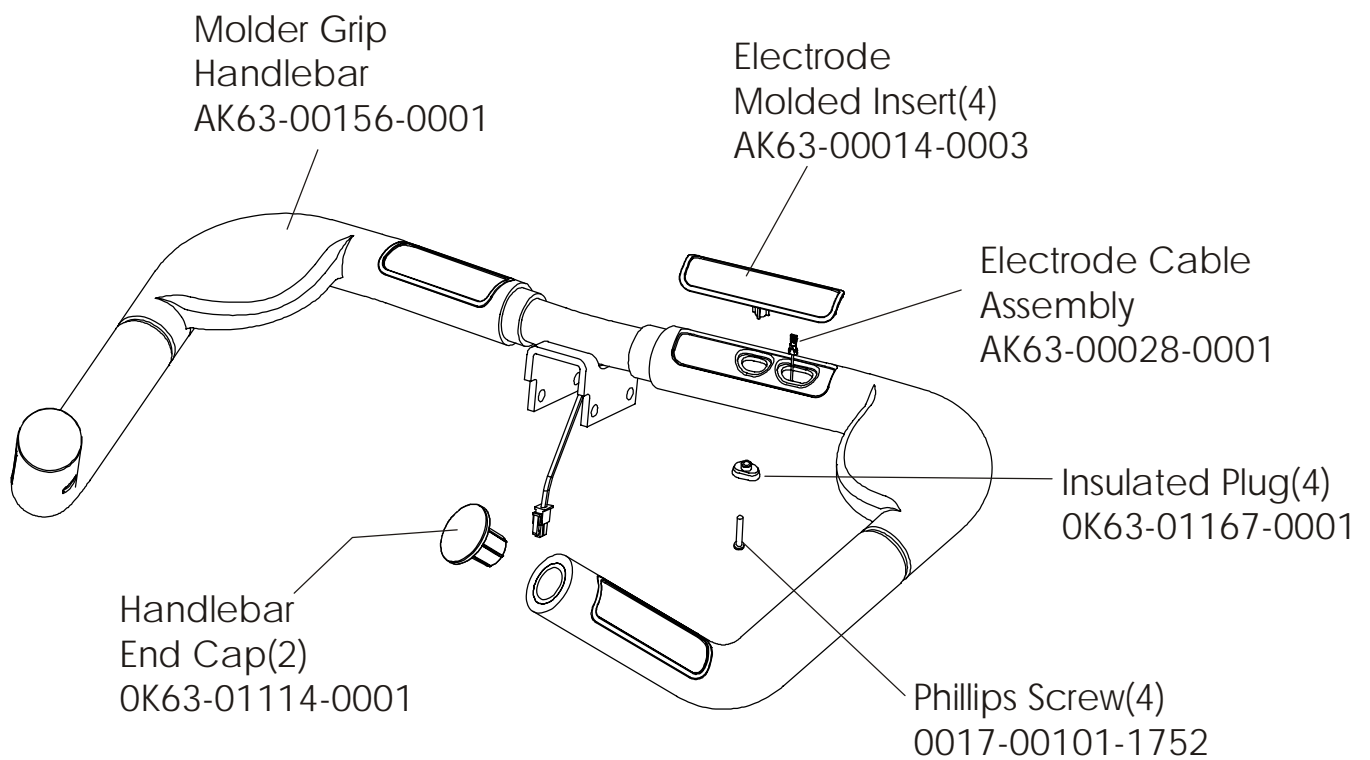
Pan Screws (2)
0017-00101-1747

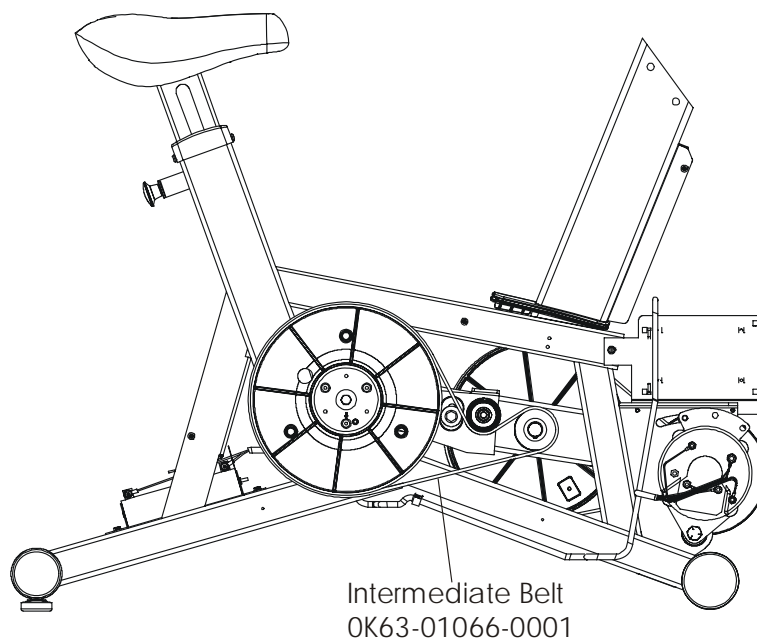
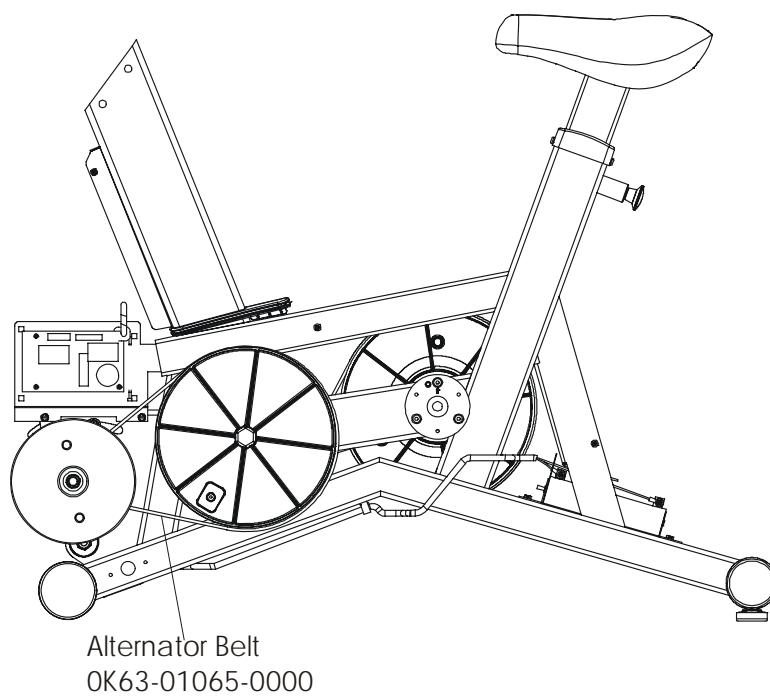


Resistor Assembly
AK63-00047-0001

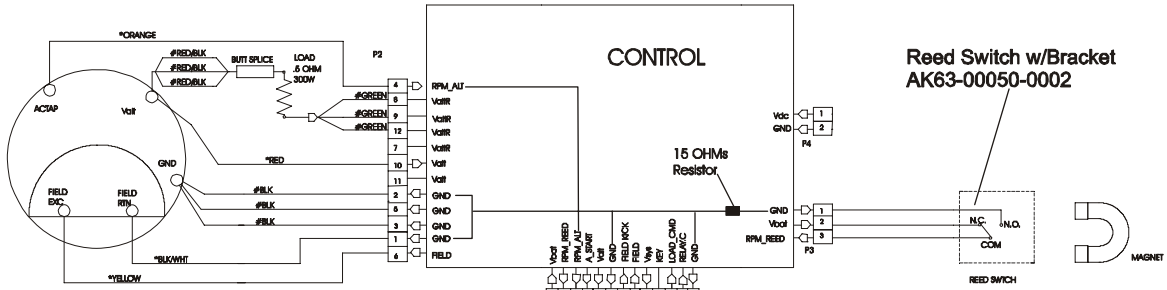


Handlebar Assembly
AK63-00091-0001

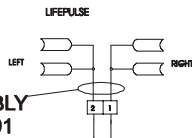




**CABLE ASSEMBLY
POWER CONTROL TO ALTERNATOR
AK63-00029-0001**

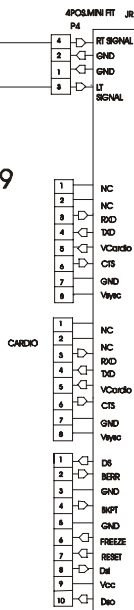


**CABLE ASSEMBLY
AK63-00028-0001**

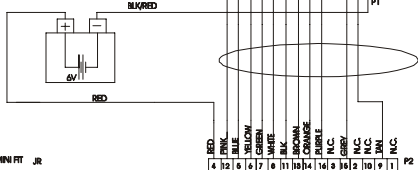


**LIFE PULSE EXTENSION
AK63-00069-0000**

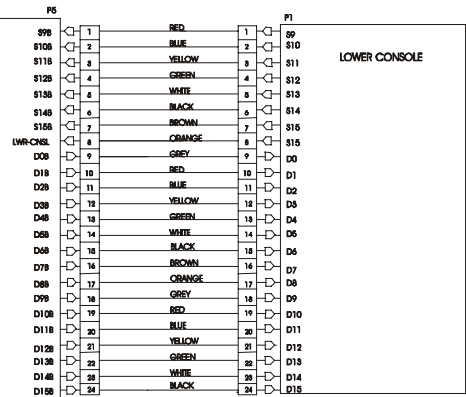
P9



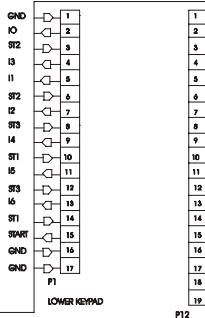
**CONSOLE TO ACB CABLE
AK63-00037-0002**



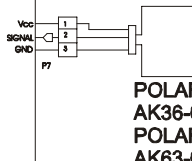
**LOWER CONSOLE
CABLE
AK63-00038-0000**



UPPER CONSOLE



**POLAR CABLE
AK36-00021-0003
POLAR CABLE W/BACKET
AK63-00120-0000**



Free Manuals Download Website

<http://myh66.com>

<http://usermanuals.us>

<http://www.somanuals.com>

<http://www.4manuals.cc>

<http://www.manual-lib.com>

<http://www.404manual.com>

<http://www.luxmanual.com>

<http://aubethermostatmanual.com>

Golf course search by state

<http://golfingnear.com>

Email search by domain

<http://emailbydomain.com>

Auto manuals search

<http://auto.somanuals.com>

TV manuals search

<http://tv.somanuals.com>