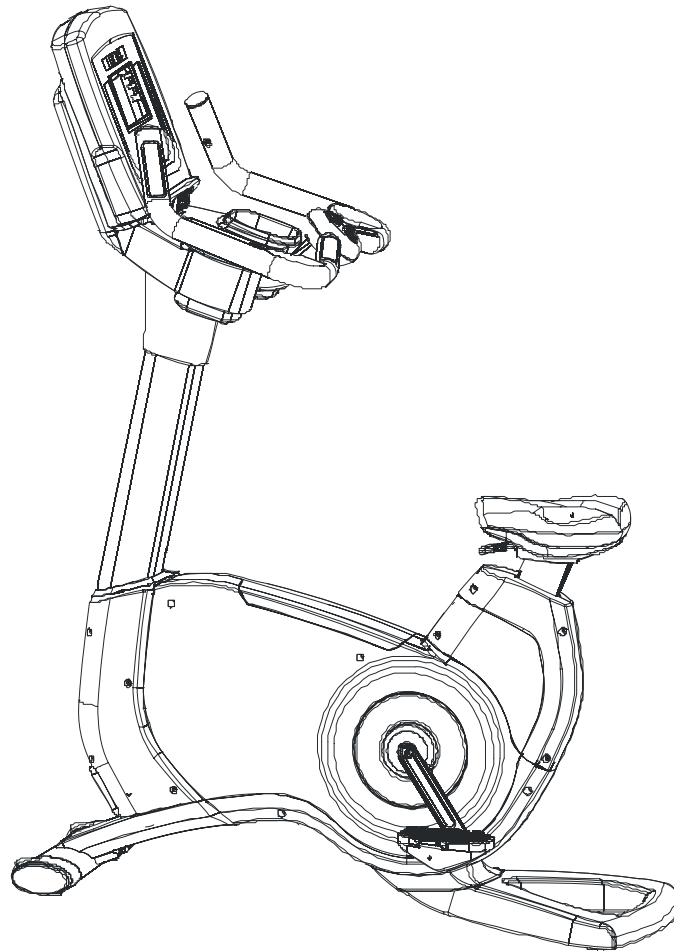


LifeFitness

Elevation Upright XXL Bikes
(97C-ALLXX-01)



Customer Support Services
PARTS MANUAL rev 30 Jul 2008

Miscellaneous	3
Consoles	4
Monocolumn and Console Mounting Bracket	5
Shrouds.....	6
Front Stabilizer and Components	7
Handlebar and Components	8
Pedals and Cranks	9
Seat and Seat Post Components	10
Battery, Leg Leveler, and Rear Stabilizer	11
Generator and Related Components	12
Cables.....	13

Description	Part No.
OPERATION MANUAL, CD - (ENG)	OKCD-02001-0000
(For units equipped with 15" LCD consoles only)+36V POWER SUPPLY LINE CORD DOM 10A, 125V LINE CORD CONT 10A, 250V LINE CORD U.K. 10A LINE CORD AUSTRALIA LINE CORD CHINA 10A, 250V	0017-00003-1037 0017-00003-0704 0017-00003-0691 0017-00003-0889 0017-00003-0918 0017-00003-1012
TOUCH-UP PAINT: SPRAY CAN .5 OZ BOTTLE W/APPLICATOR .33 OZ PEN	0017-00008-0204 0017-00008-0205 0017-00008-0206
BRKT ASSY: POWER/COAX INPUT ASSEMBLY CONSISTS OF: 1) POWER COAX BRACKET 2) F-TYPE PANEL CONNECTOR 3) PHONE JACK RECEPTACLE	AK66-00036-0000 0K66-01063-0000 0017-00021-2846 0017-00021-2847
HARDWARE BAG	AK67-00038-0000



7-inch Inspire LCD console



15-inch Engage LCD console



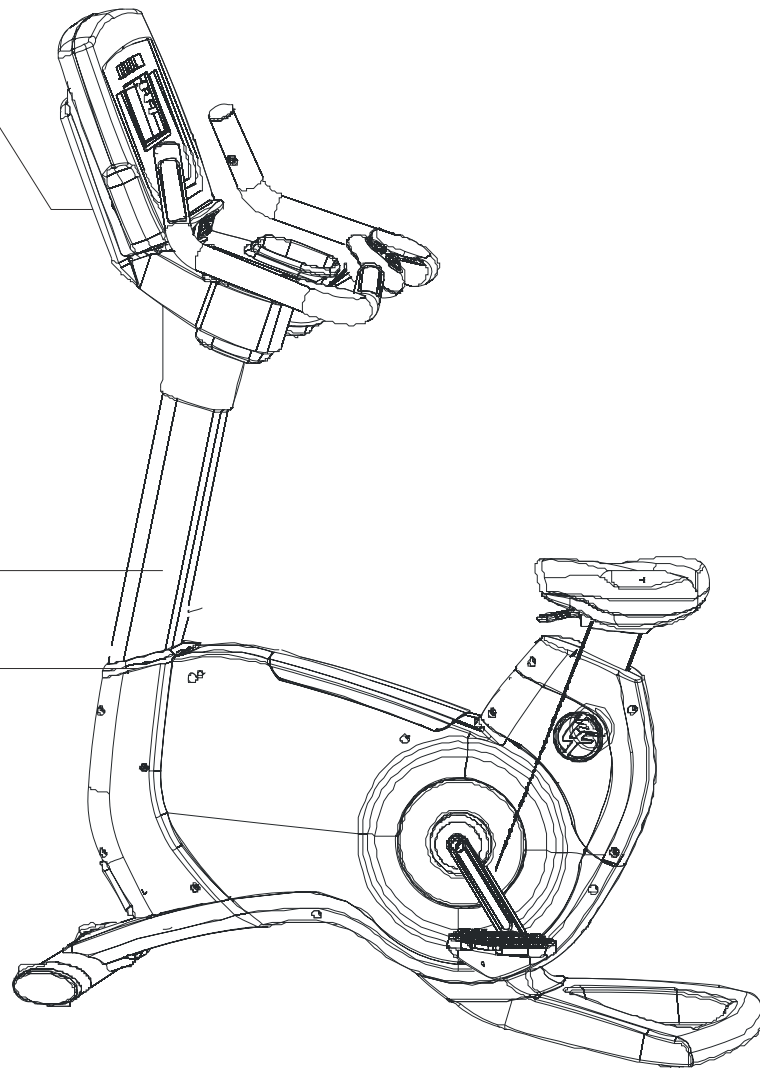
Achieve LED console

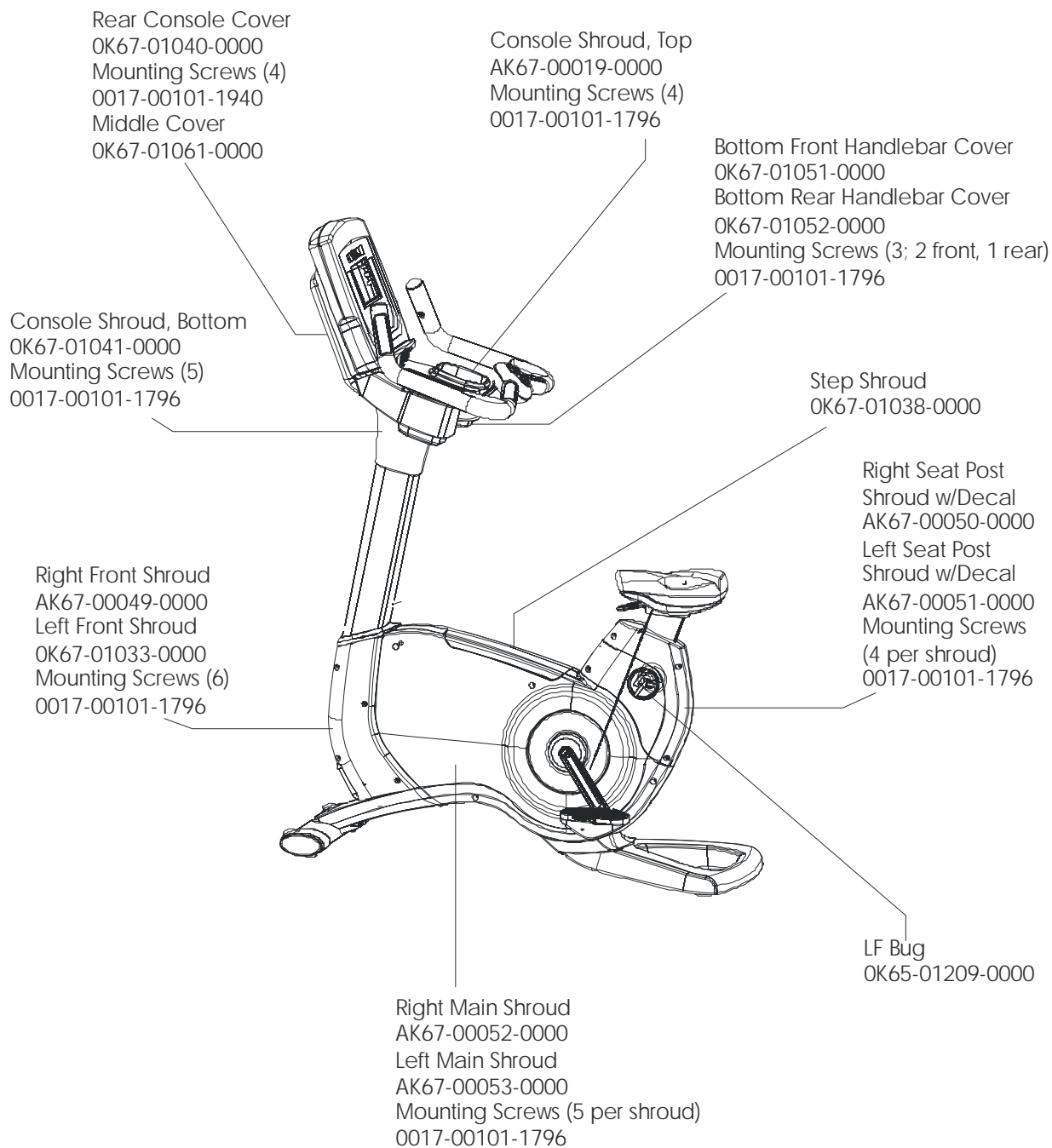
Console Assemblies	
Description	Part No.
7-INCH LCD BIKE/CT CONSOLE	07DN-ALLXX-01
15-INCH LCD BIKE/CT CONSOLE DOM - NTSC	15DN-ALLXN-01
15-INCH LCD BIKE/CT CONSOLE INT - PAL	15DN-ALLXP-01
LED BIKE/CT CONSOLE - DOMESTIC	LEDN-DOMXX-01
LED BIKE/CT CONSOLE - INTERNATIONAL	LEDN-INTXX-01

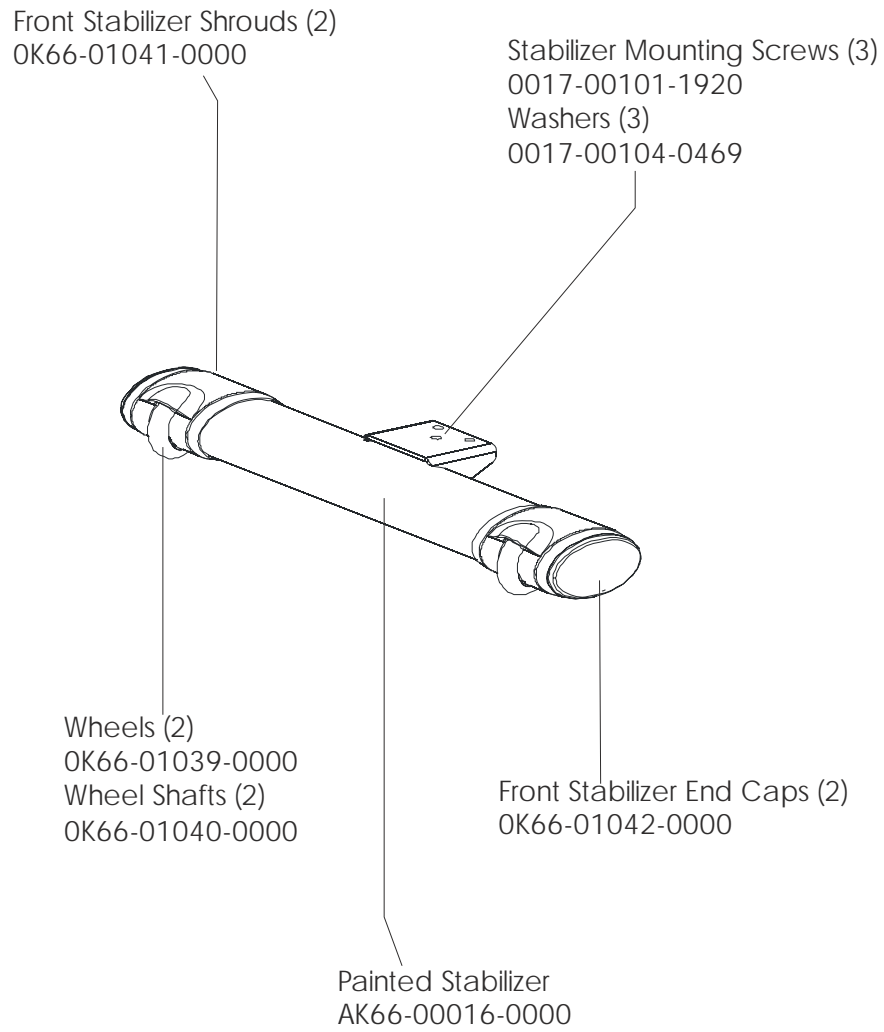
Console Mounting Bracket Assembly
AK67-00024-0000
Mounting Screws (3)
0017-00101-1944
Hex Nuts (3)
0017-00103-0341

Monocolumn
AK67-00055-0000
Mounting Screws (3)
0017-00101-2028
Washers (3)
0017-00104-0469

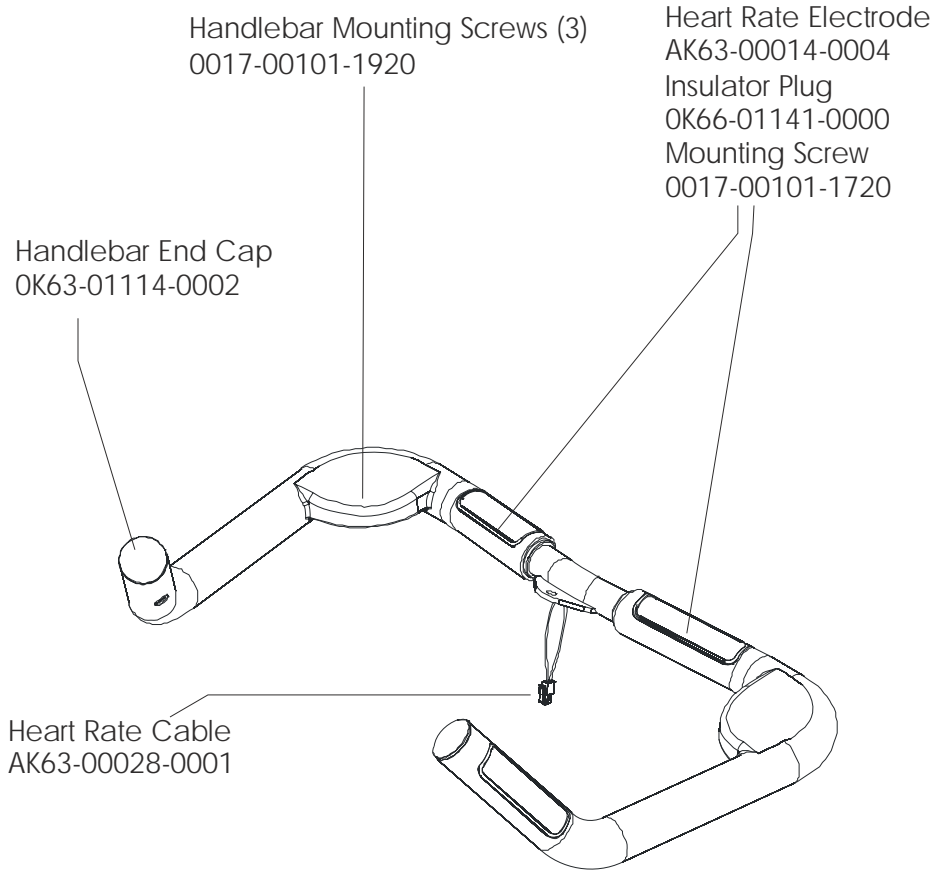
Upright Gasket
OK67-01039-0000

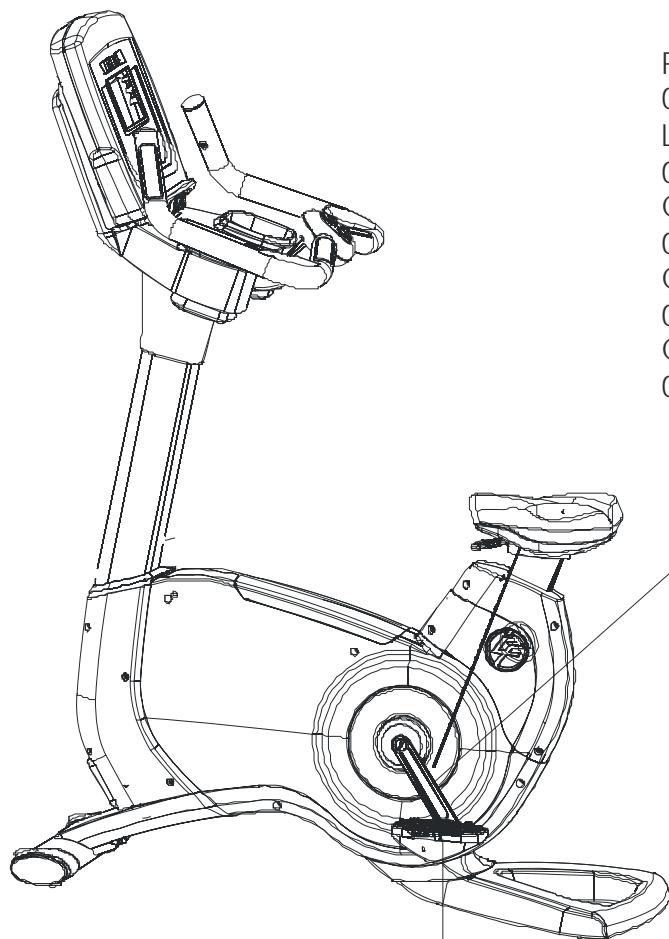






Handlebar Assembly
AK67-00006-0000

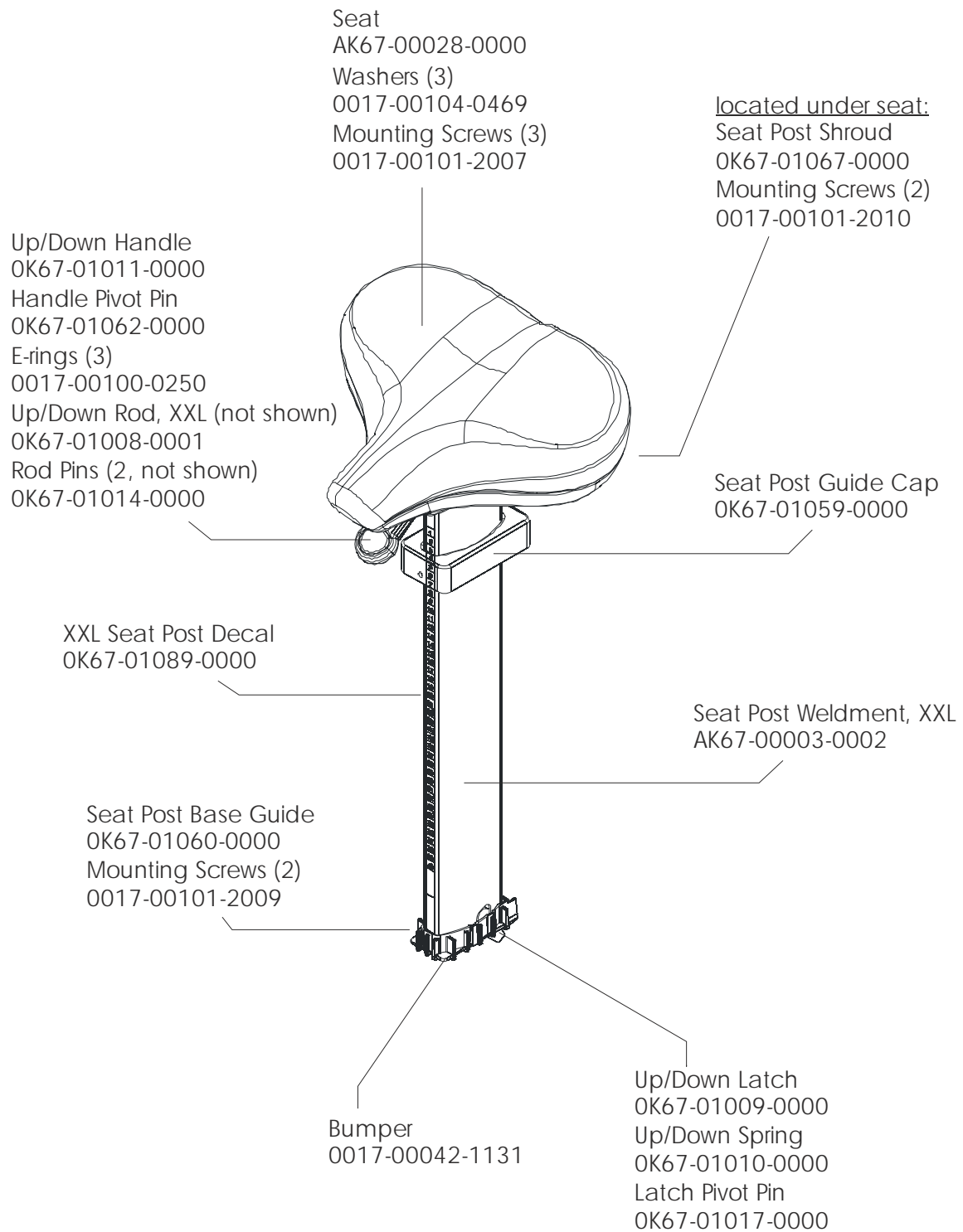




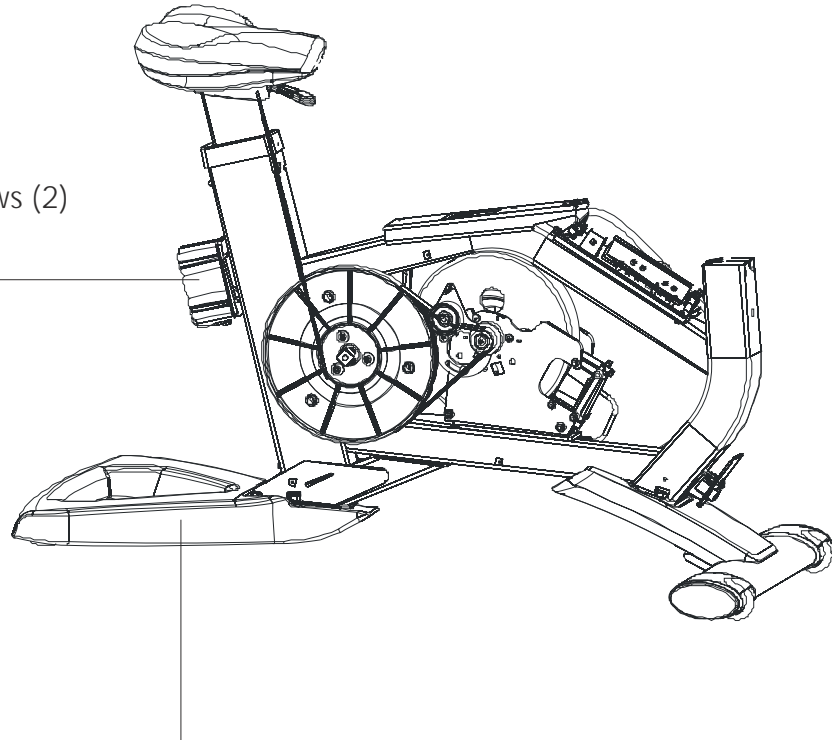
Right Crank Arm
OK66-01006-0003
Left Crank Arm
OK66-01006-0004
Crank Connector Plate
OK66-01096-0000
Crank Screw
OK66-01120-0000
Crank Cap
OK66-01121-0000

When replacing either
crank arm, the crank
connector plate and
the crank screw must
also be replaced.

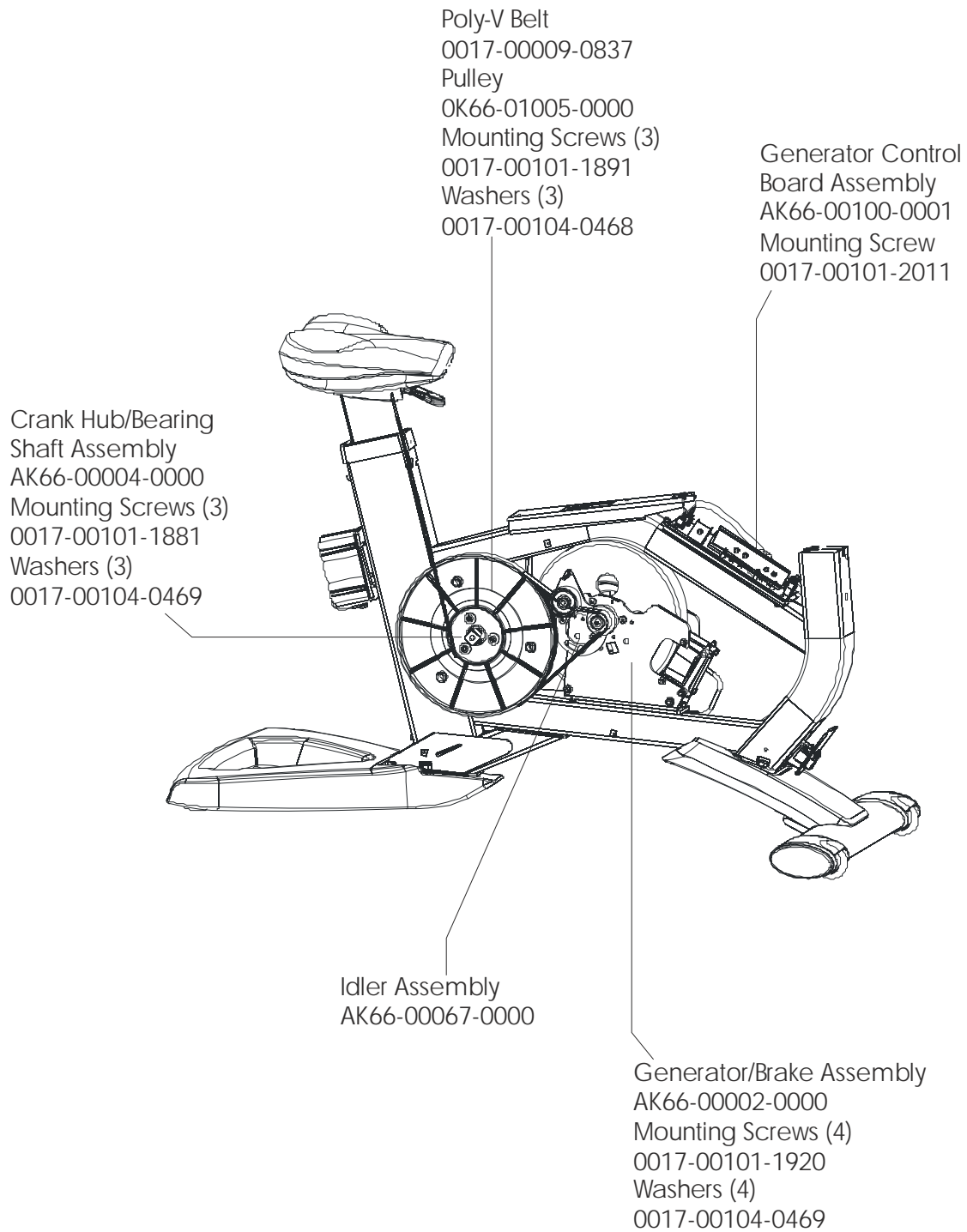
Right Pedal w/Strap
AK66-00047-0000
Left Pedal w/Strap
AK66-00048-0000

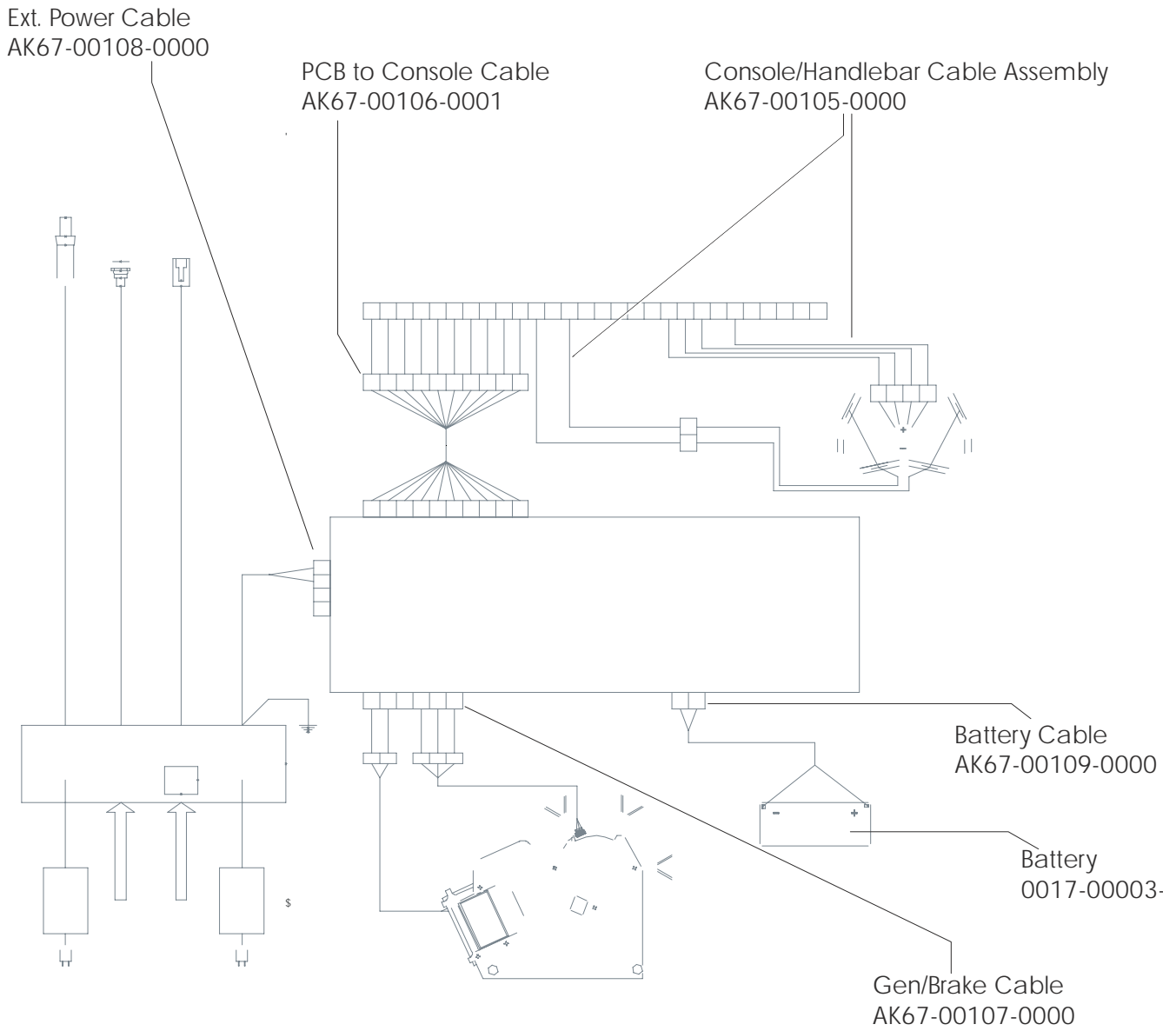


6V Battery
0017-00003-0685
Battery Mounting Screws (2)
0017-00101-2011



Rear Stabilizer
OK66-01131-0000
Rear Stabilizer Mounting Screws (4)
0017-00101-1920
Washers (4)
0017-00104-0469
Leg Levelers (2)
AK62-00124-0000





Free Manuals Download Website

<http://myh66.com>

<http://usermanuals.us>

<http://www.somanuals.com>

<http://www.4manuals.cc>

<http://www.manual-lib.com>

<http://www.404manual.com>

<http://www.luxmanual.com>

<http://aubethermostatmanual.com>

Golf course search by state

<http://golfingnear.com>

Email search by domain

<http://emailbydomain.com>

Auto manuals search

<http://auto.somanuals.com>

TV manuals search

<http://tv.somanuals.com>