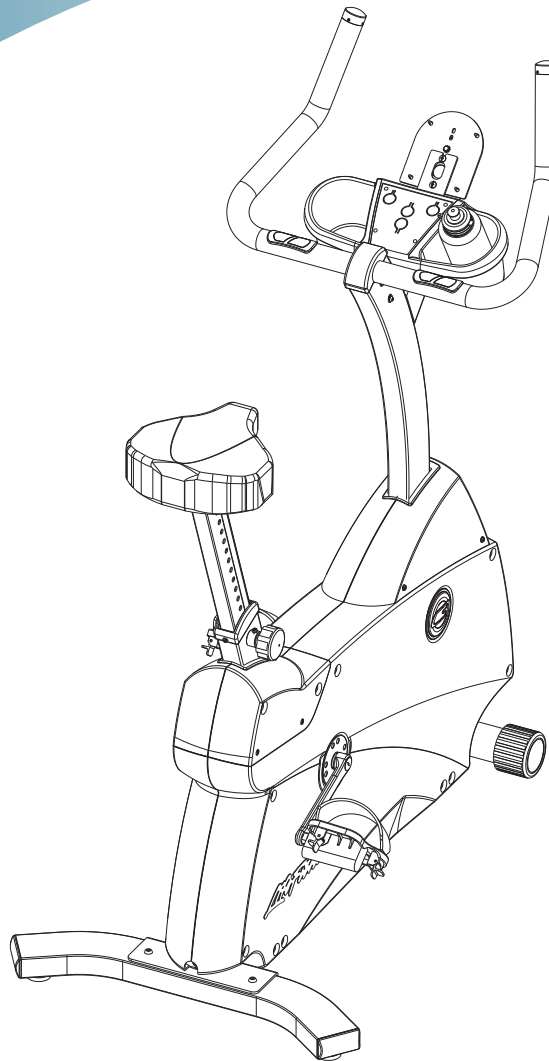


C3 Lifecycle Exercise Bike

C3-XX0X-0203

CUSTOMER SUPPORT SERVICES
Parts List



LifeFitness
WHAT WE LIVE FOR

Miscellaneous.....	3
Consoles.....	4
Pedal Components.....	5
Upright and Handlebars.....	6
Seat and Upright Components.....	7
Shroud and Hardware.....	8
Brake Components.....	9
Frame Components.....	10
Wiring Diagram.....	11

User Manuals:

<u>Part No.</u>		<u>Language</u>
8115401	-	English
8115501	-	German
8115601	-	French
8115701	-	Spanish
8115801	-	Russian

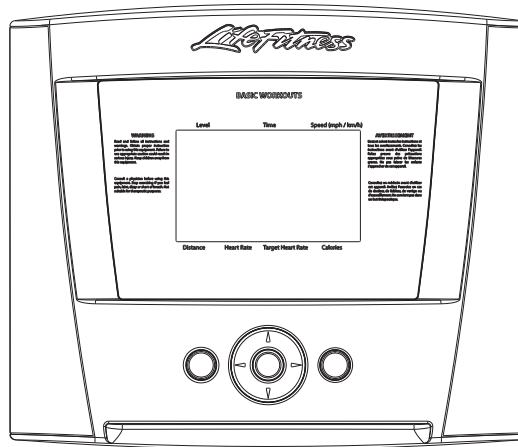
Assembly Instructions:

<u>Part No.</u>		<u>Language</u>
8114201	-	English
8114301	-	German
8114401	-	French
8114501	-	Spanish
8114601	-	Russian

Hardware Kits:

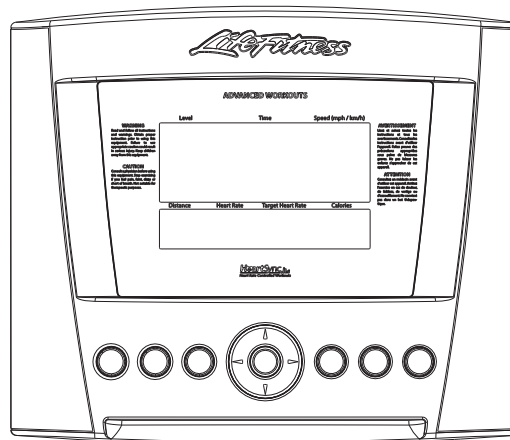
<u>Part No.</u>		<u>Description</u>
REX2GTE	-	All C3 Hardware Kits

Basic:



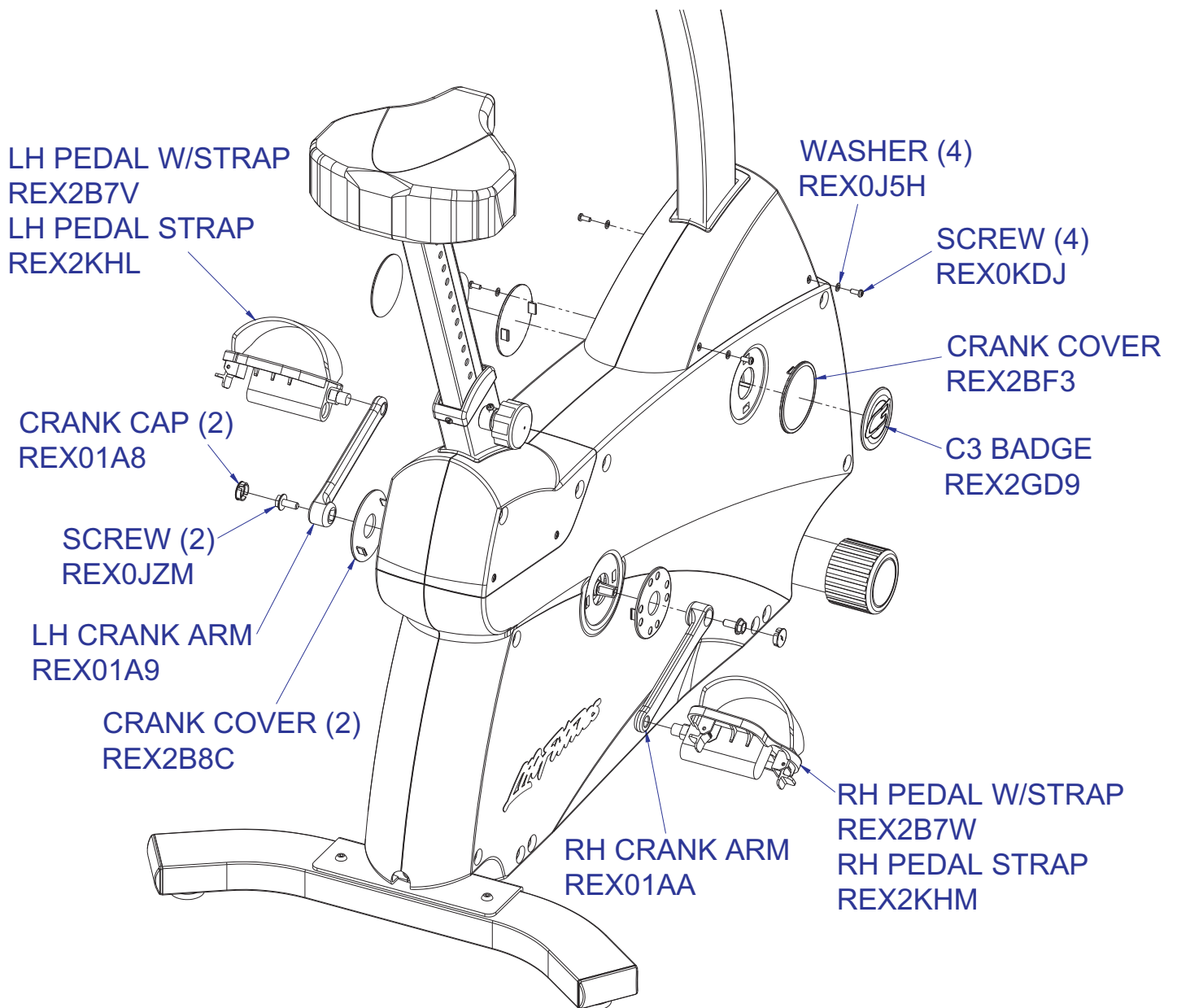
BAS-000X-0203	BASIC BIKE/CT CONSOLE ENG
BAS-020X-0203	BASIC BIKE/CT CONSOLE GER/MET
BAS-040X-0103	BASIC CT/BIKE CONSOLE, SPN/MET

Advanced:



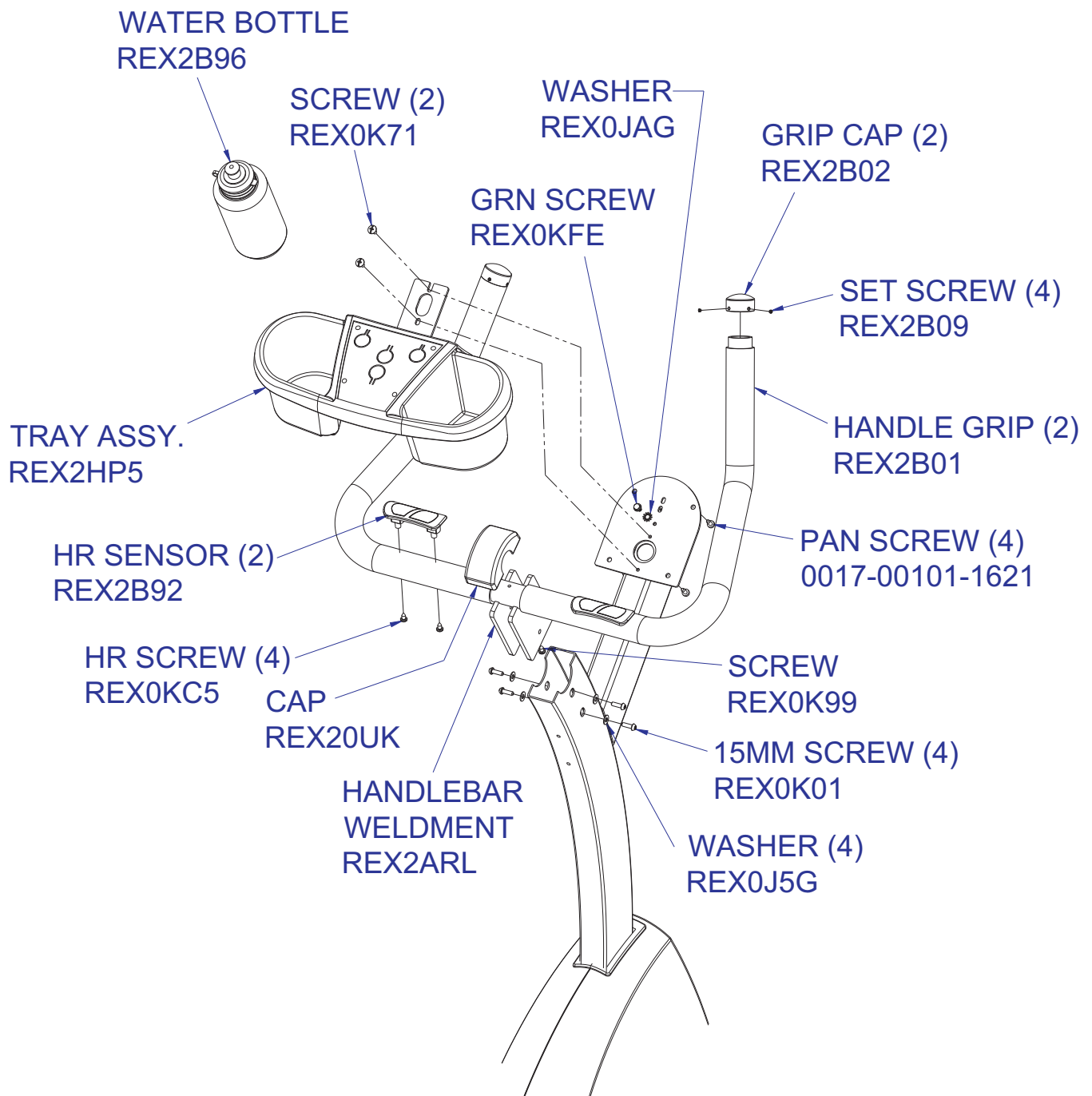
ADV-000X-0203	ADV BIKE/CT CONSOLE ENG
ADV-020X-0203	ADV BIKE/CT CONSOLE GER/MET
ADV-040X-0103	ADV CT/BIKE CONSOLE, SPN/MET

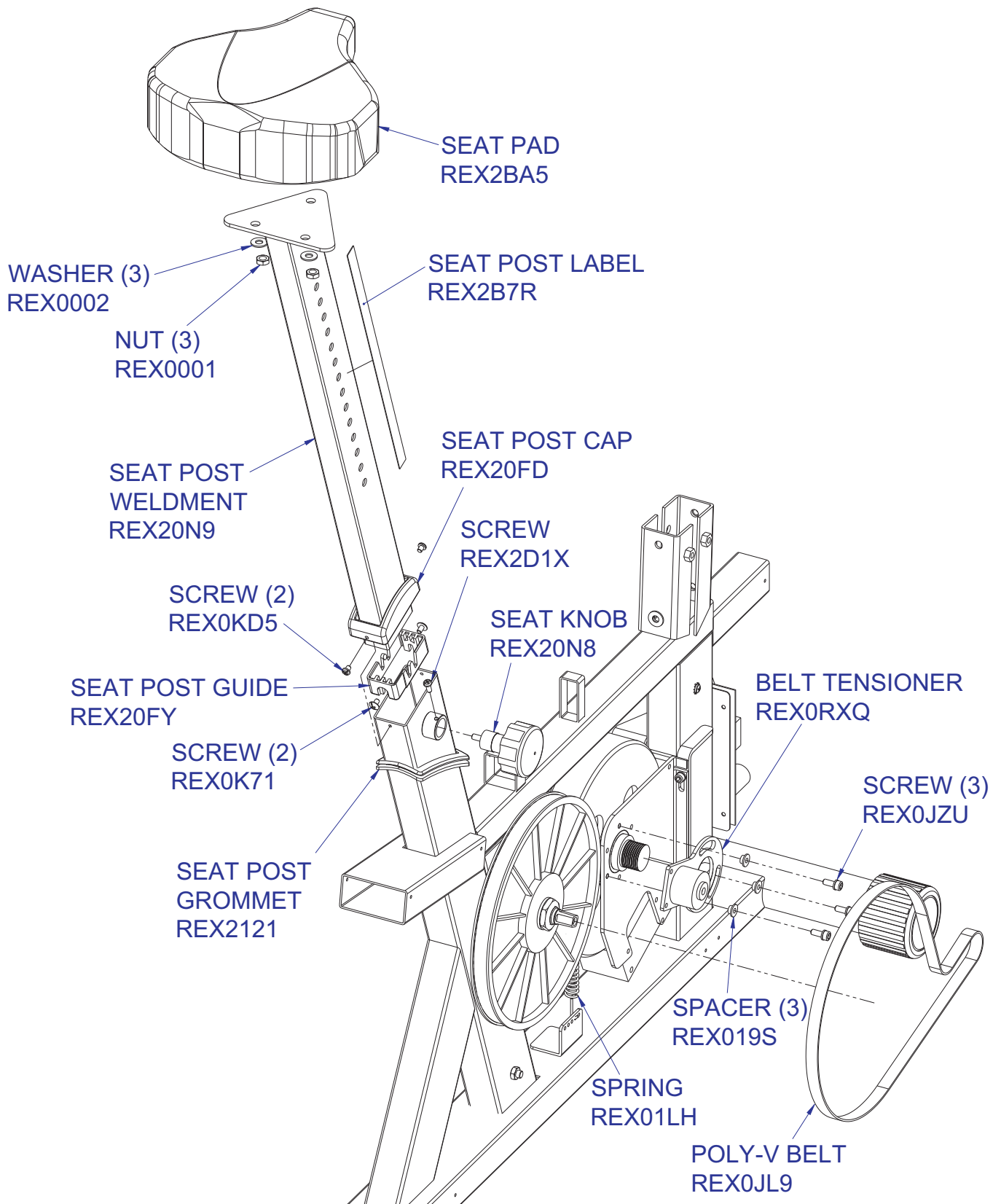
LEFT AND RIGHT PEDALS
W/STRAPS SET
REX2BAN

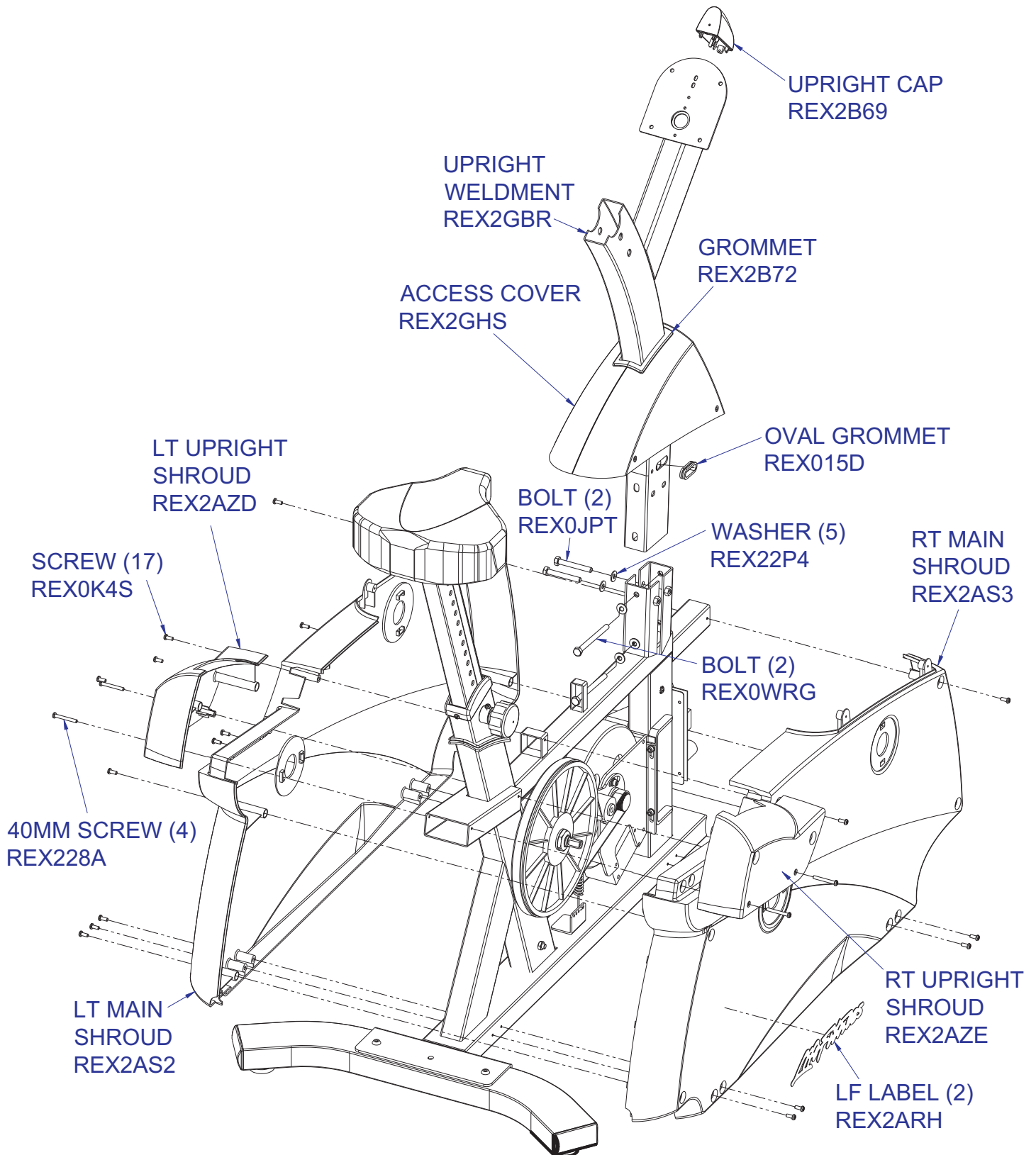


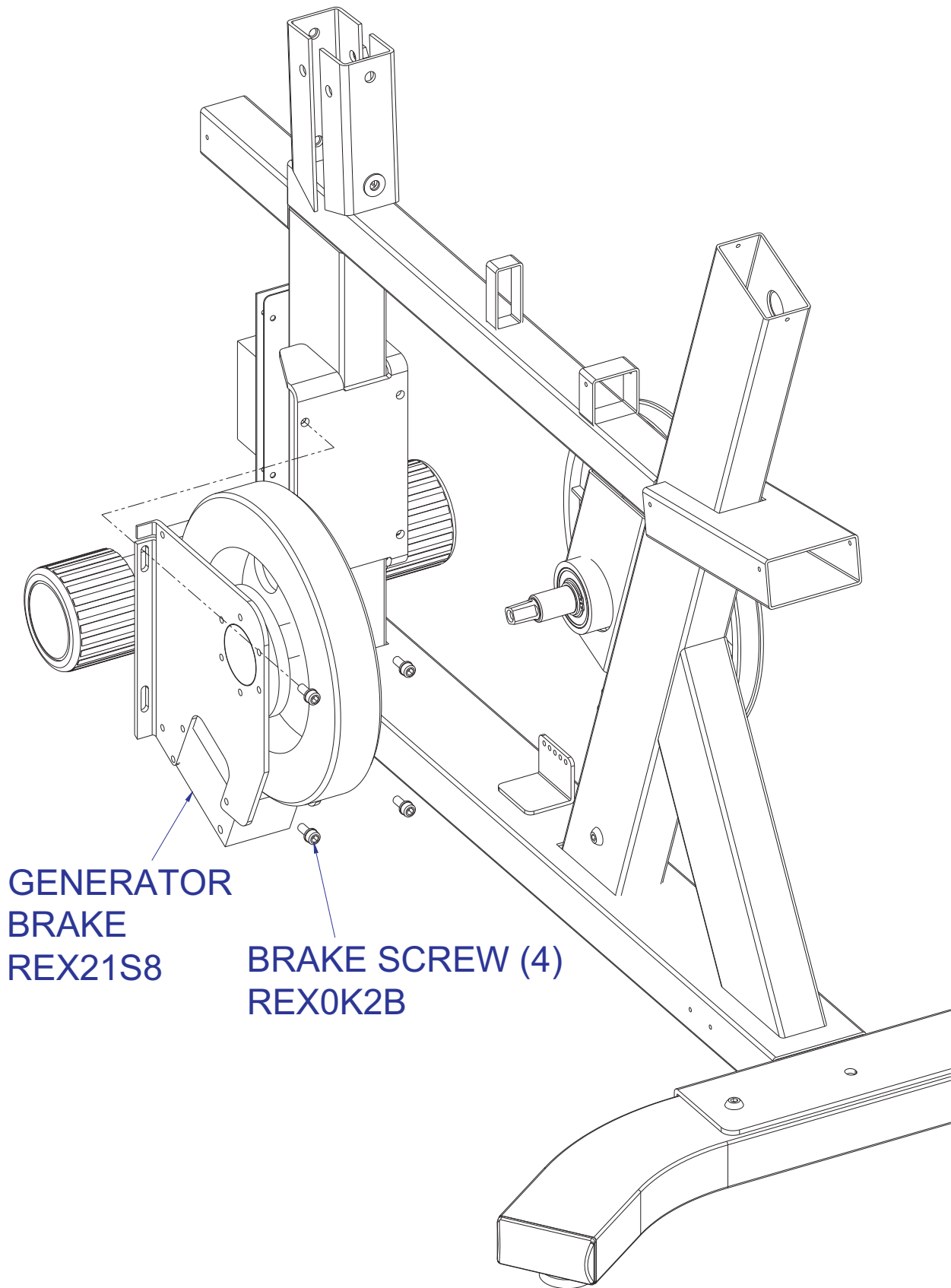
HANDLE BAR ASSEMBLY
REX2T7N

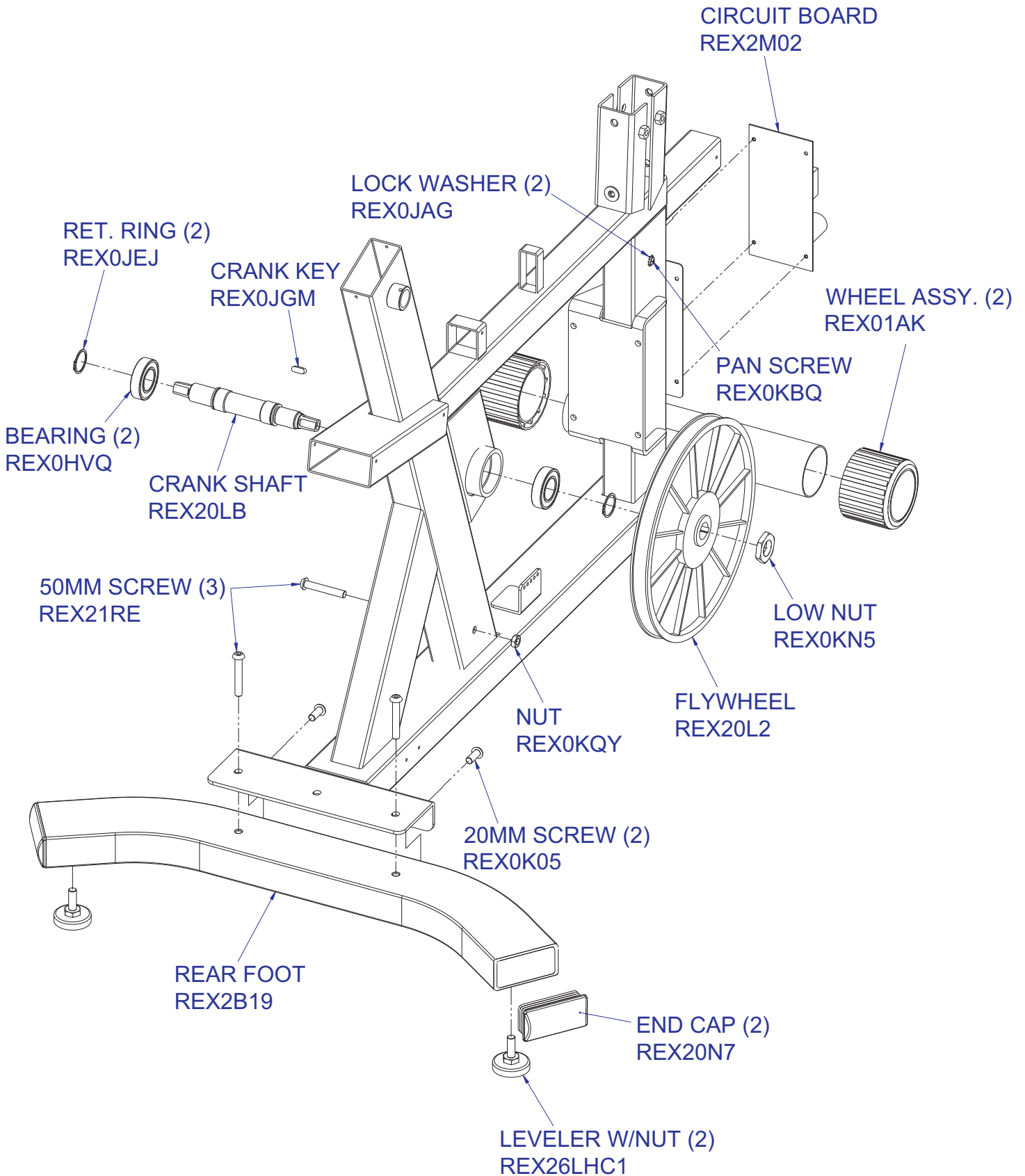
Includes Handle bar weldment, grips, contact sensors, end caps and HR cable.

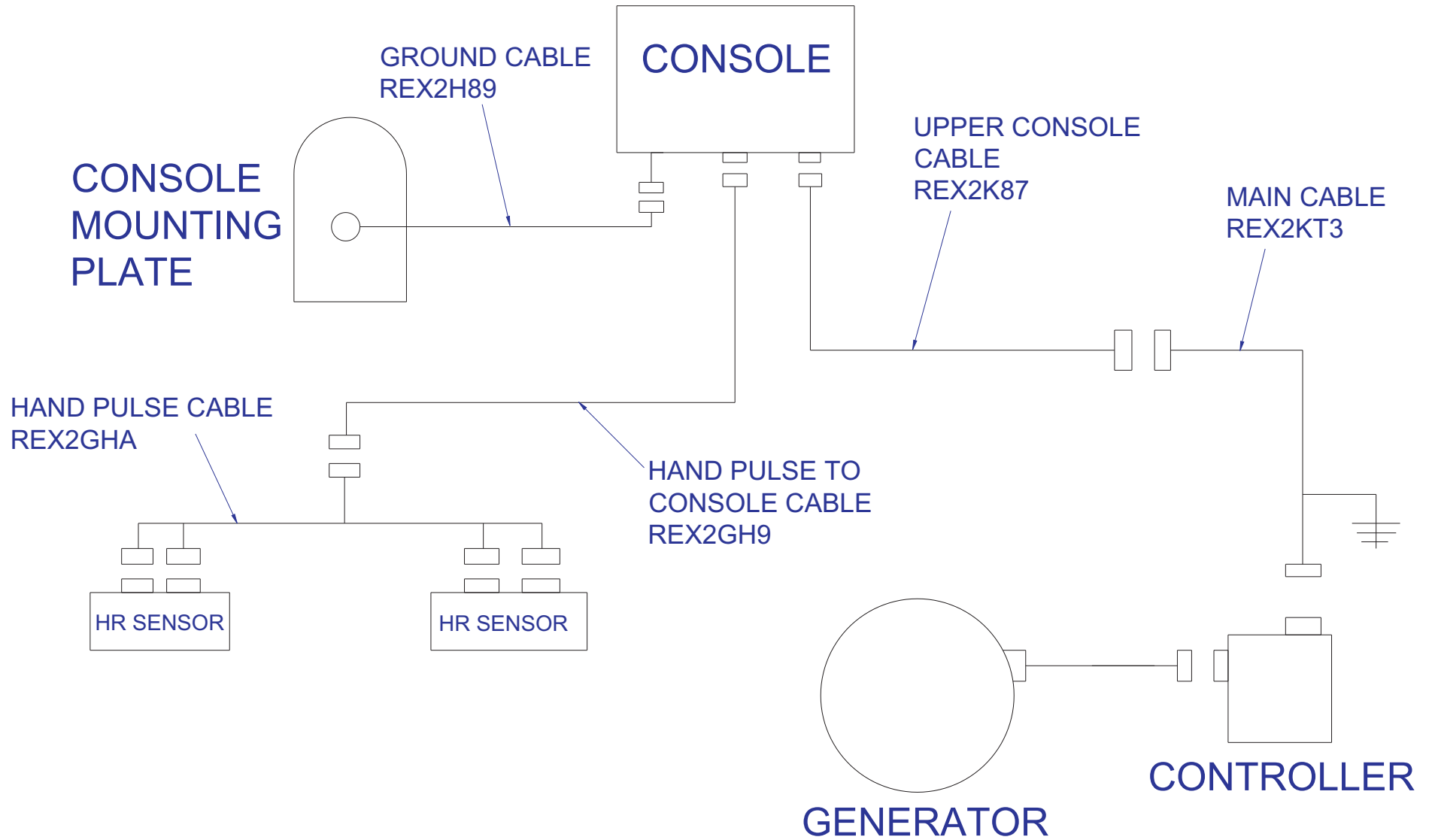












Free Manuals Download Website

<http://myh66.com>

<http://usermanuals.us>

<http://www.somanuals.com>

<http://www.4manuals.cc>

<http://www.manual-lib.com>

<http://www.404manual.com>

<http://www.luxmanual.com>

<http://aubethermostatmanual.com>

Golf course search by state

<http://golfingnear.com>

Email search by domain

<http://emailbydomain.com>

Auto manuals search

<http://auto.somanuals.com>

TV manuals search

<http://tv.somanuals.com>