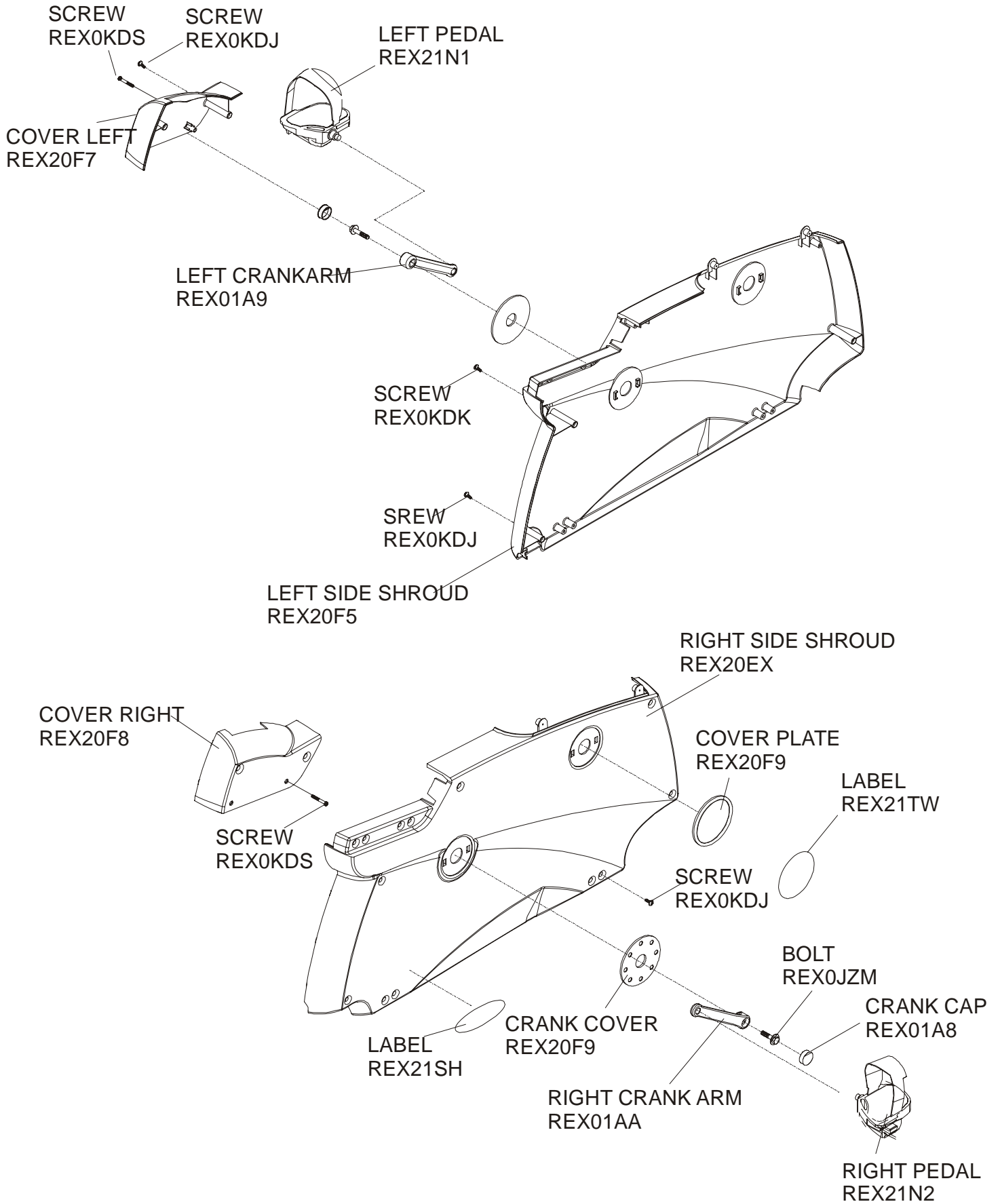


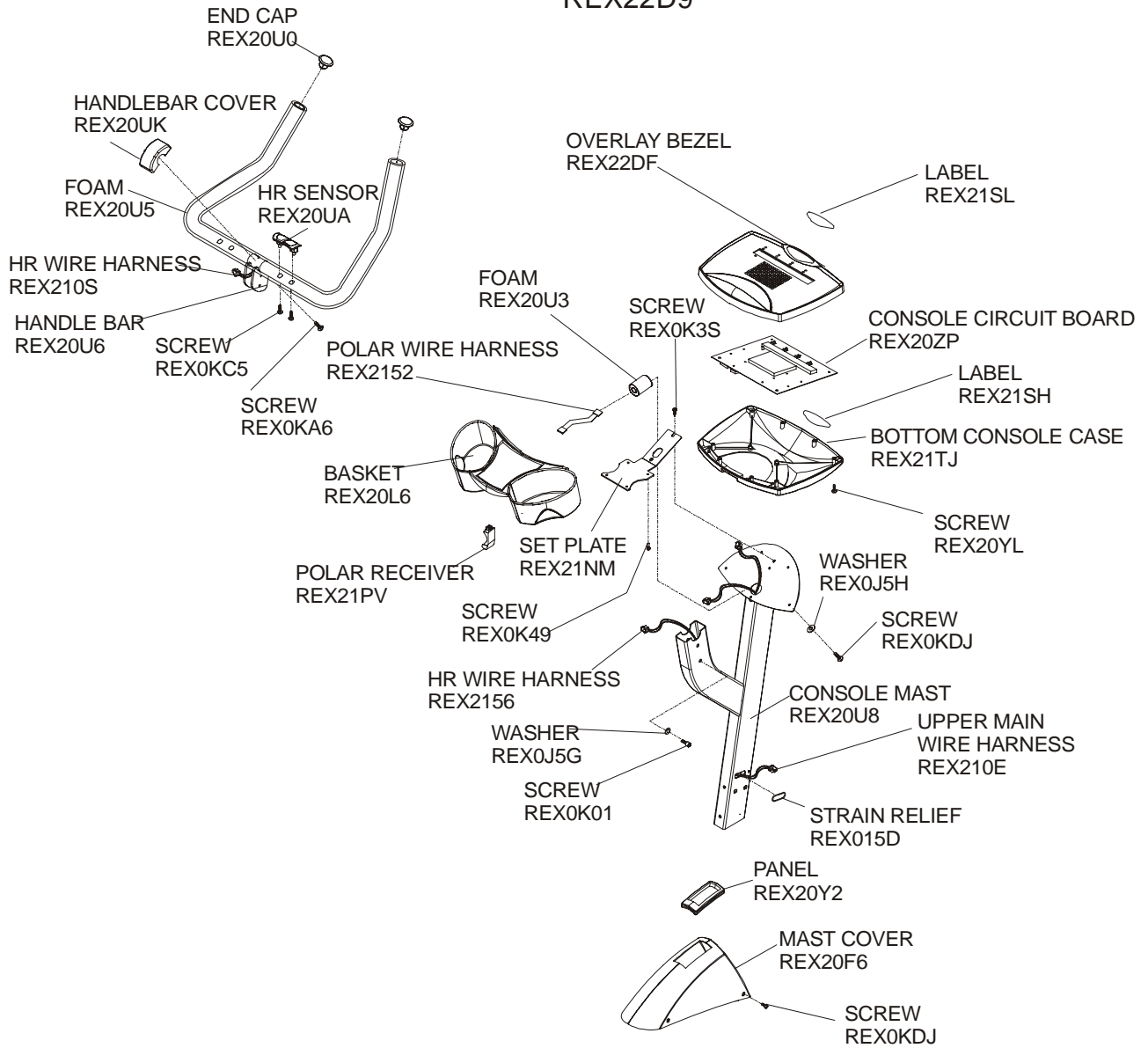
Example of a starting Serial # UT8060210000001

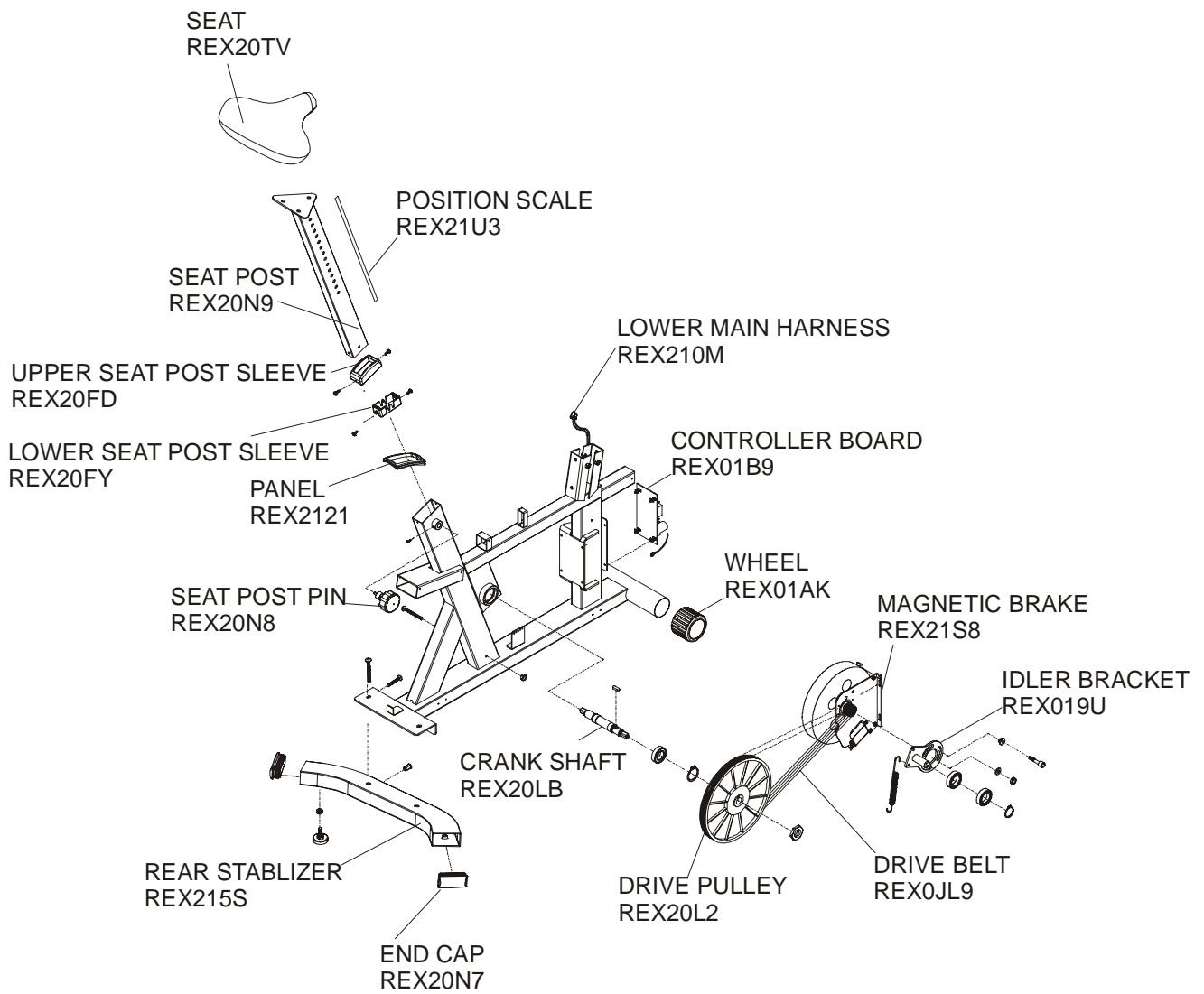
UT8	06	0210	000001
Model #	Plant #	Year/month	Serial Number

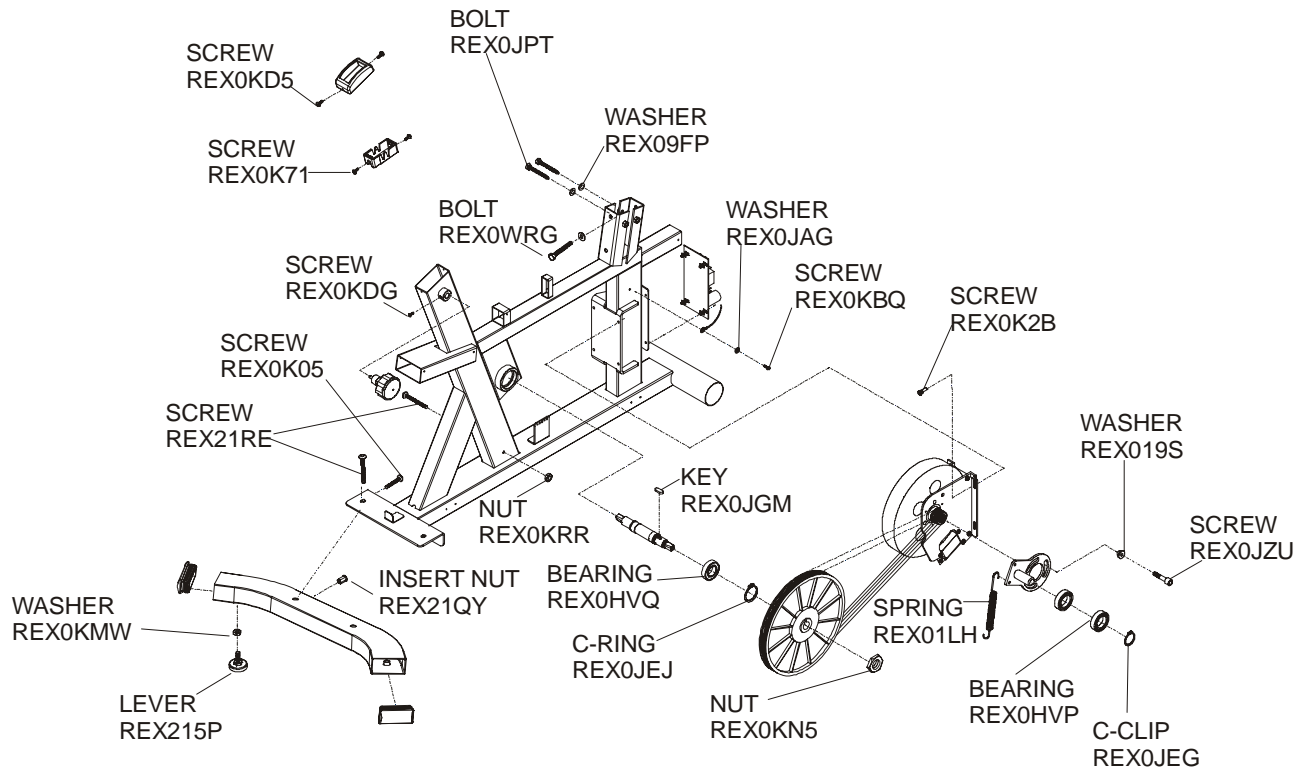
rev 01 Jul 2008



CONSOLE ASSEMBLY (ENG/ENG)
 REX22D9







Free Manuals Download Website

<http://myh66.com>

<http://usermanuals.us>

<http://www.somanuals.com>

<http://www.4manuals.cc>

<http://www.manual-lib.com>

<http://www.404manual.com>

<http://www.luxmanual.com>

<http://aubethermostatmanual.com>

Golf course search by state

<http://golfingnear.com>

Email search by domain

<http://emailbydomain.com>

Auto manuals search

<http://auto.somanuals.com>

TV manuals search

<http://tv.somanuals.com>