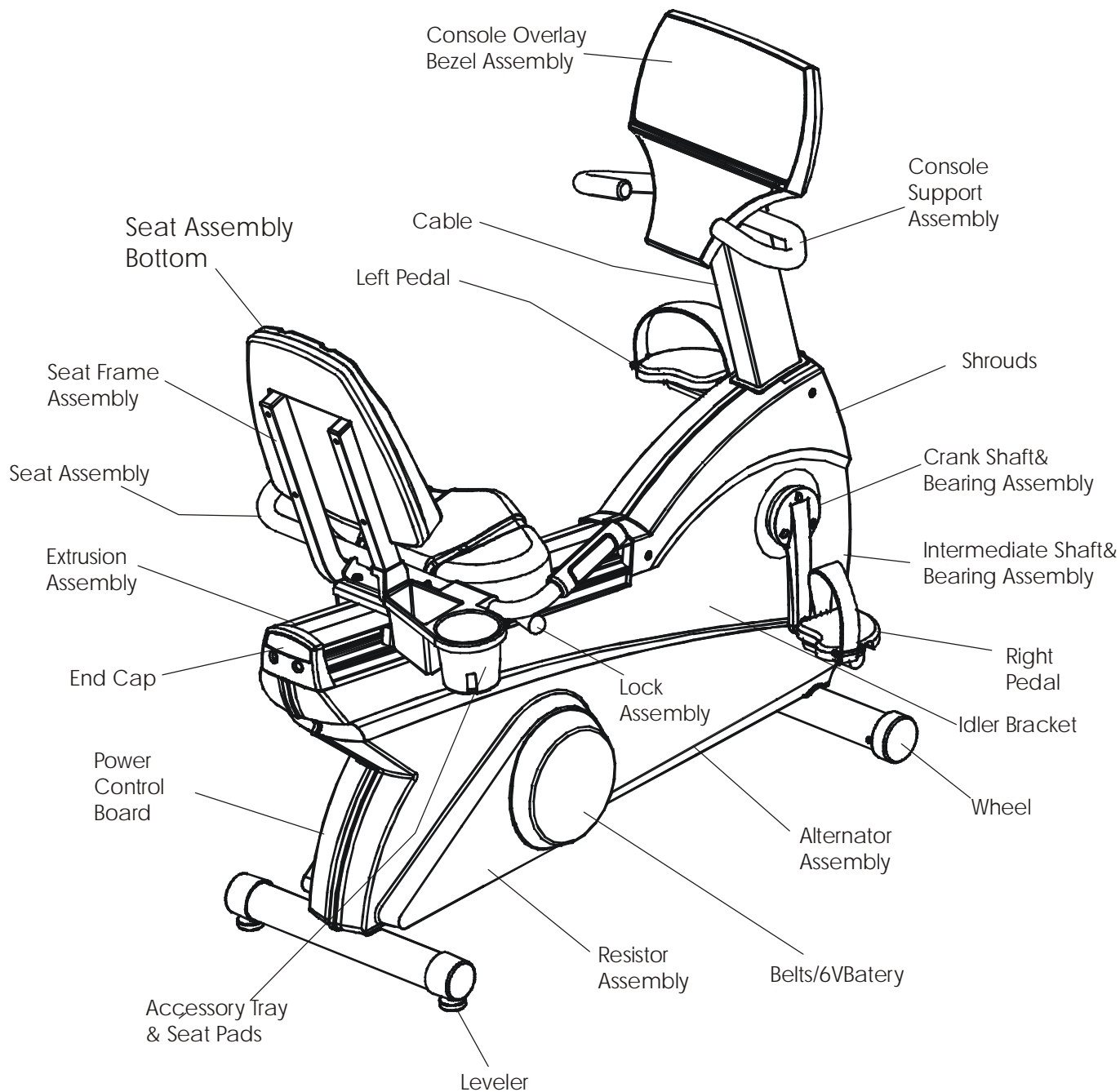


LifeCycle Recumbent Bike - Model R7-0100-02 S/N CEJ100001

Unit Assembly

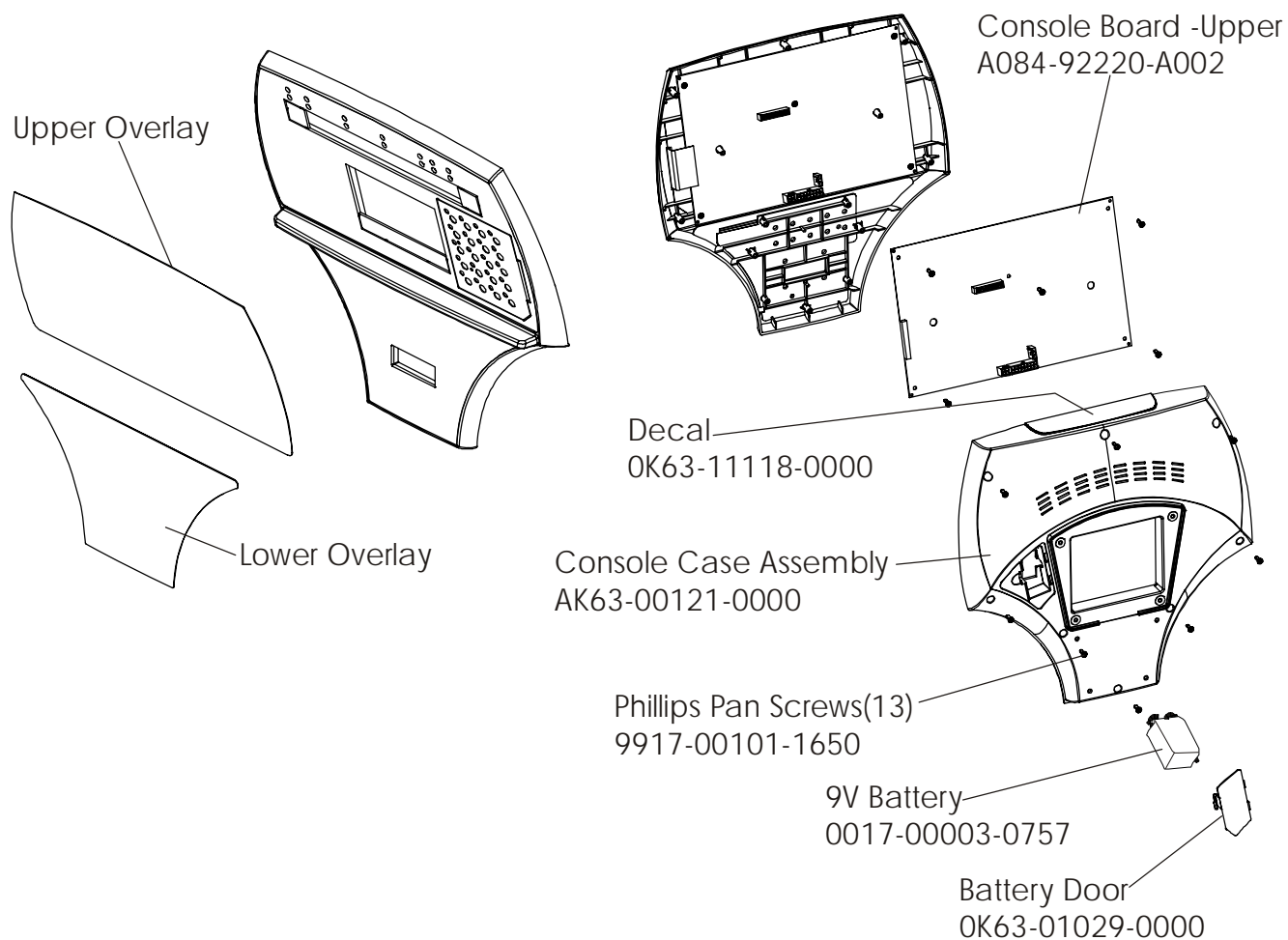


Operation Manual	M051-00K20-B406
Service Manual	M051-00K39-A012

revised 24 Jul 2008

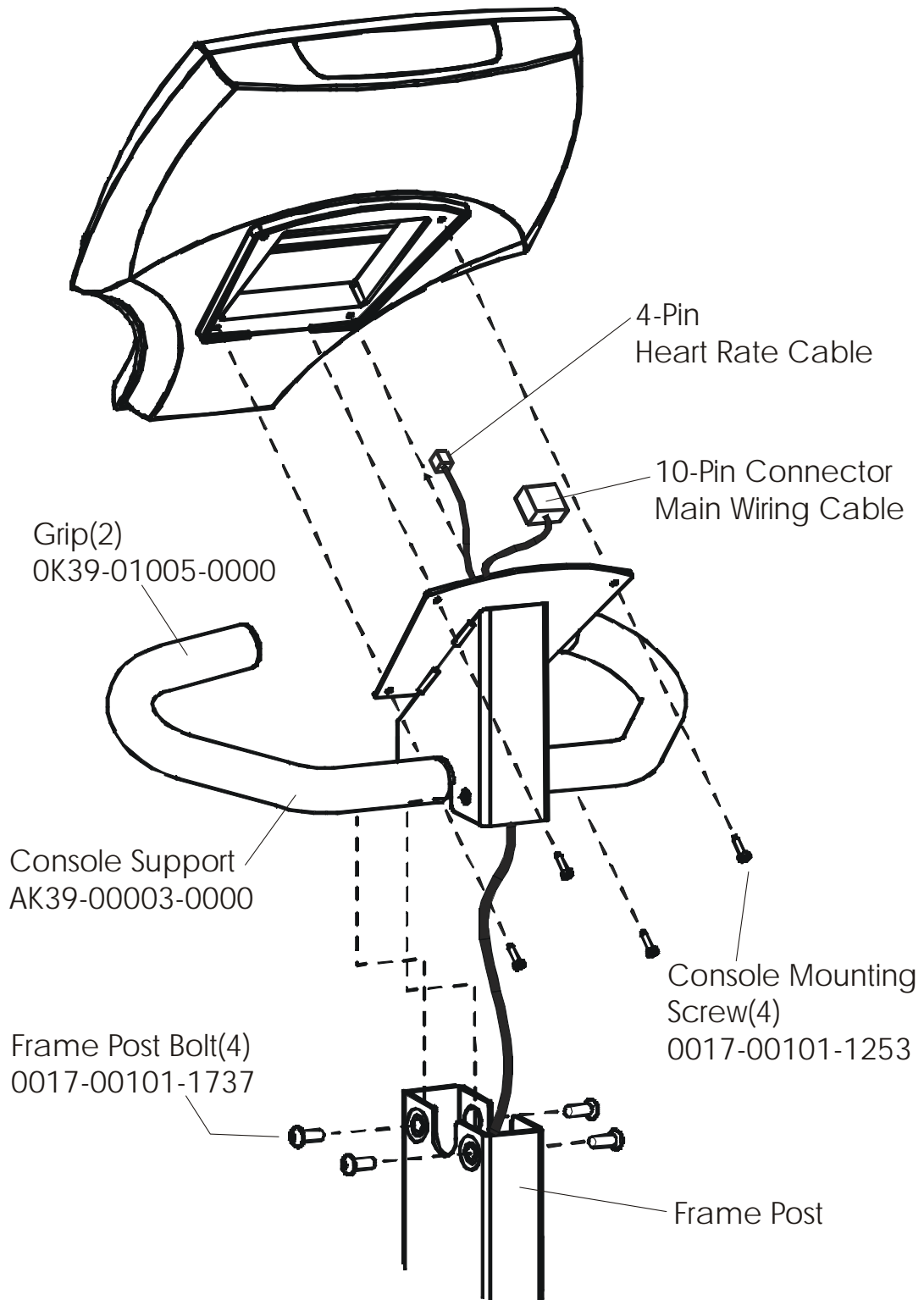
LifeCycle Recumbent Bike - Model R7-0100-02 S/N CEJ100001

Console Overlay Bezel Assembly



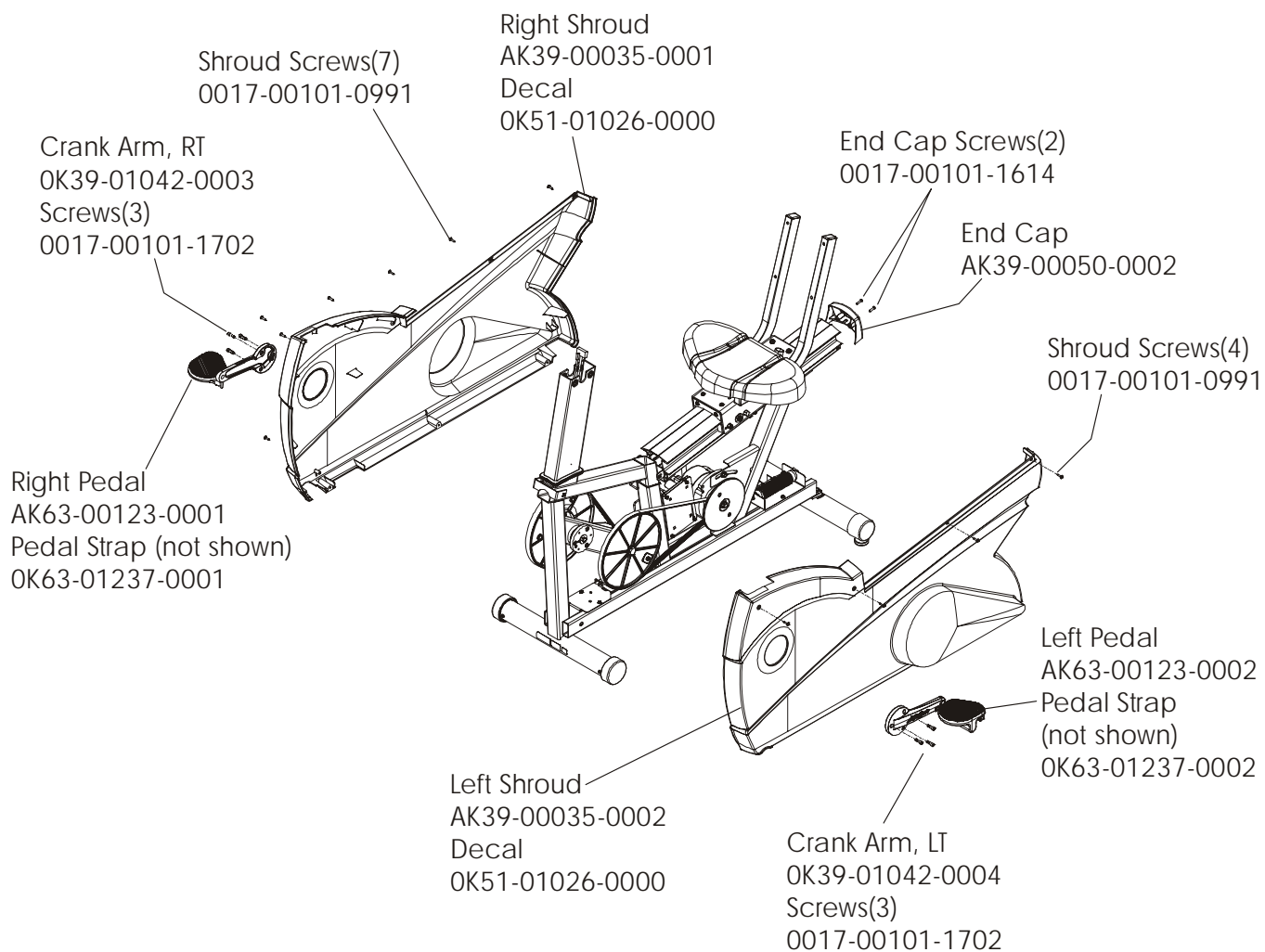
LC R7 Recumbent	
Console Assembly	Overlay Bezel
AK39-00058-0001 Eng Met	AK63-00082-0001 Eng Met
AK39-00058-0003 Ger Met	AK63-00082-0003 Ger Met
AK39-00058-0004 Spn Met	AK63-00082-0004 Spn Met
AK39-00058-0006 Jap Met	AK63-00082-0006 Jap Met
AK39-00058-0007 Frn Met	AK63-00082-0007 Frn Met
AK39-00058-0008 Itl Met	AK63-00082-0008 Itl Met
AK39-00058-0009 Itl Met	AK63-00082-0009 Itl Met
AK39-00058-0010 Por Met	AK63-00082-0010 Por Met

Console Support Assembly



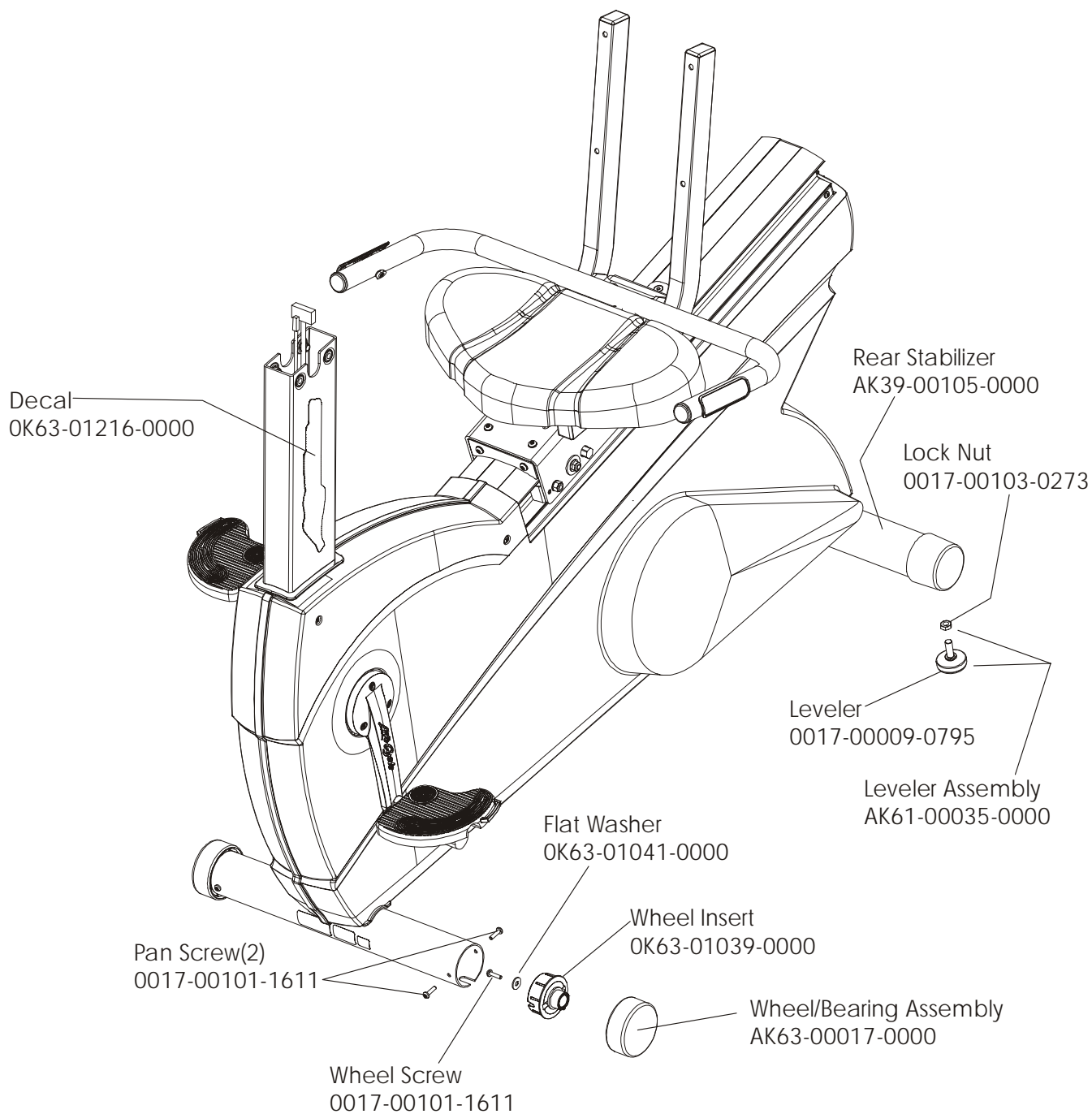
LifeCycle Recumbent Bike - Model R7-0100-02 S/N CEJ100001

Shrouds, End Cap, and Pedals



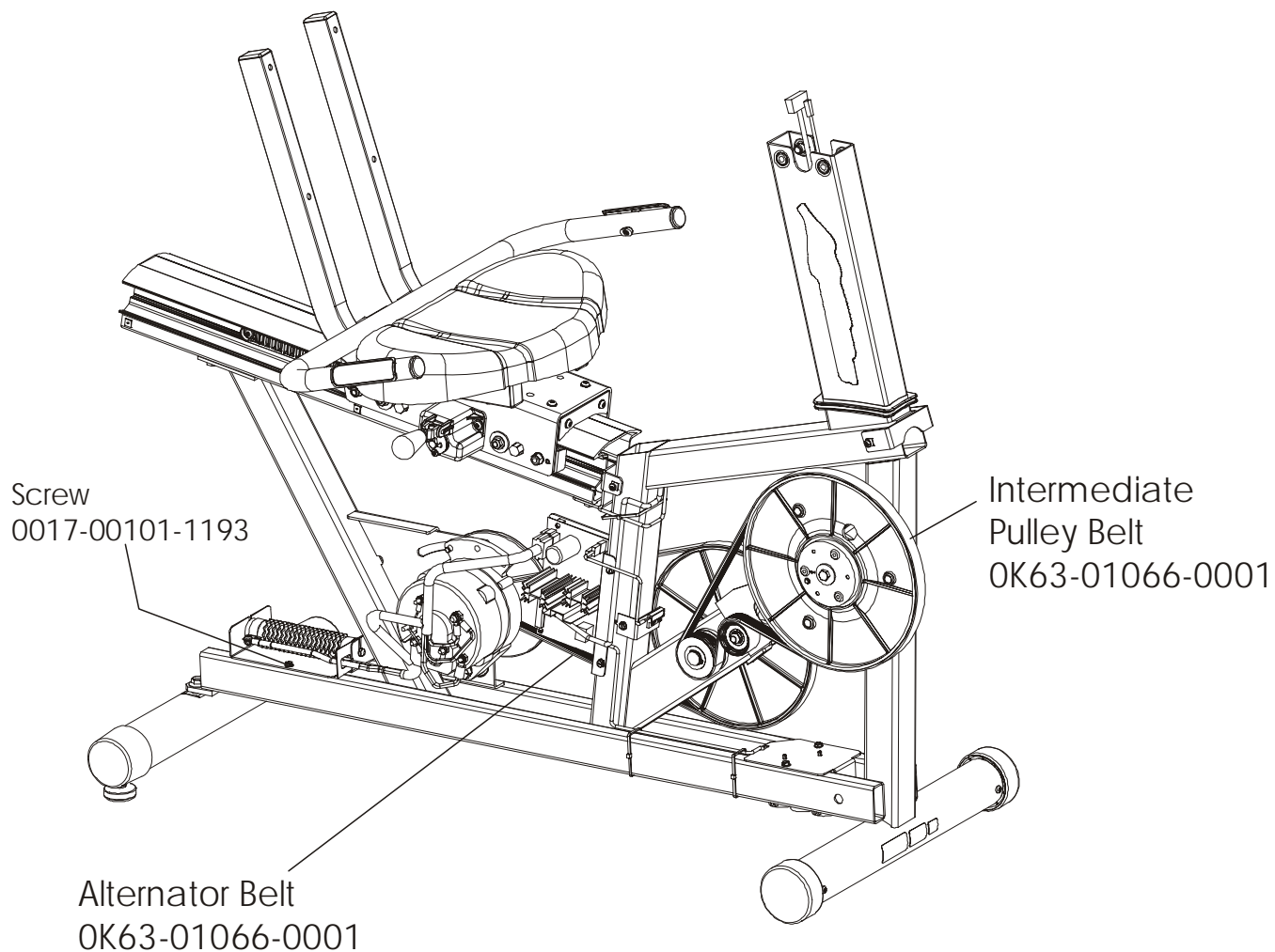
LifeCycle Recumbent Bike - Model R7-0100-02 S/N CEJ100001

Wheel and Leveler

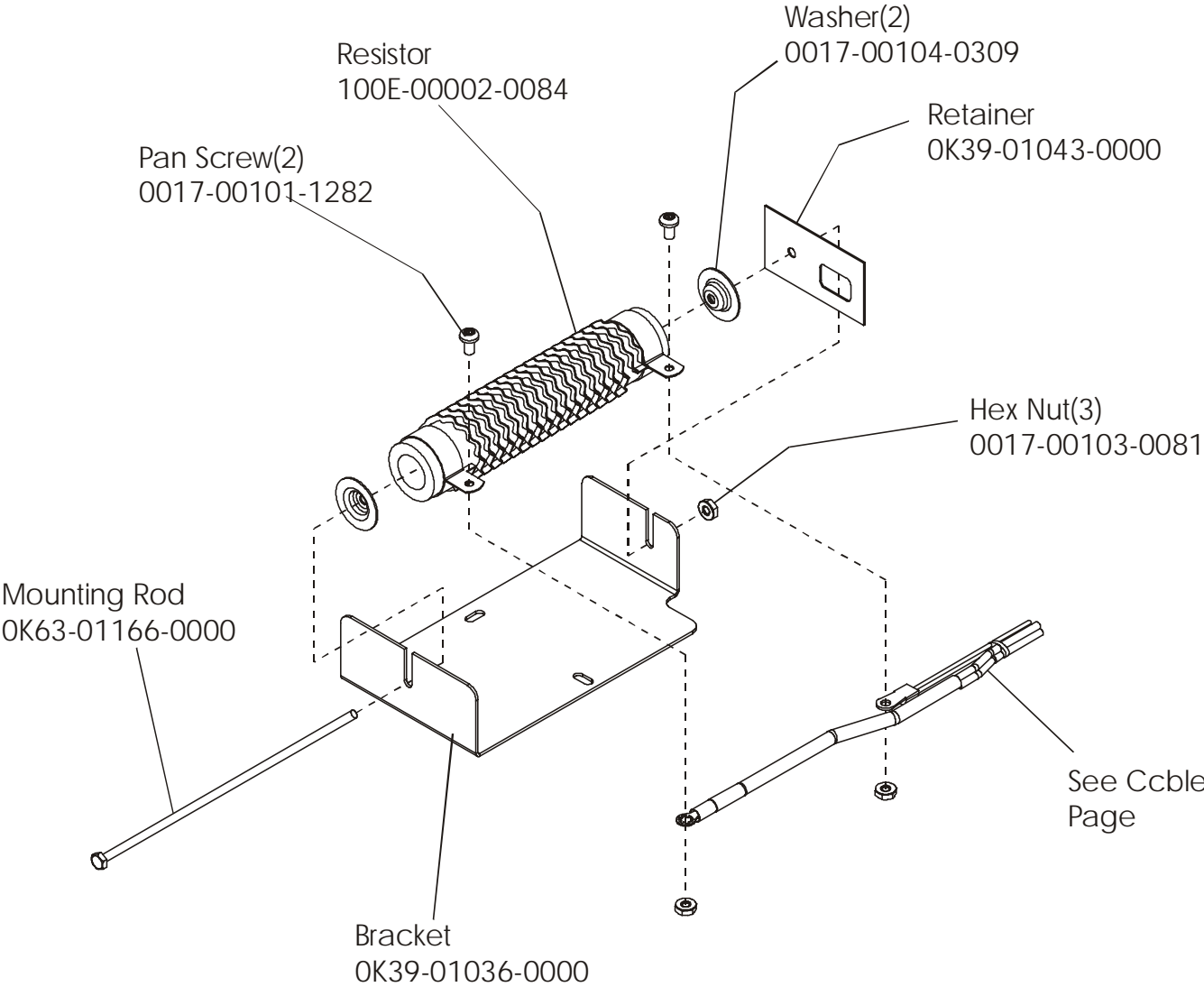


LifeCycle Recumbent Bike - Model R7-0100-02 S/N CEJ100001

Belts and 6V Battery

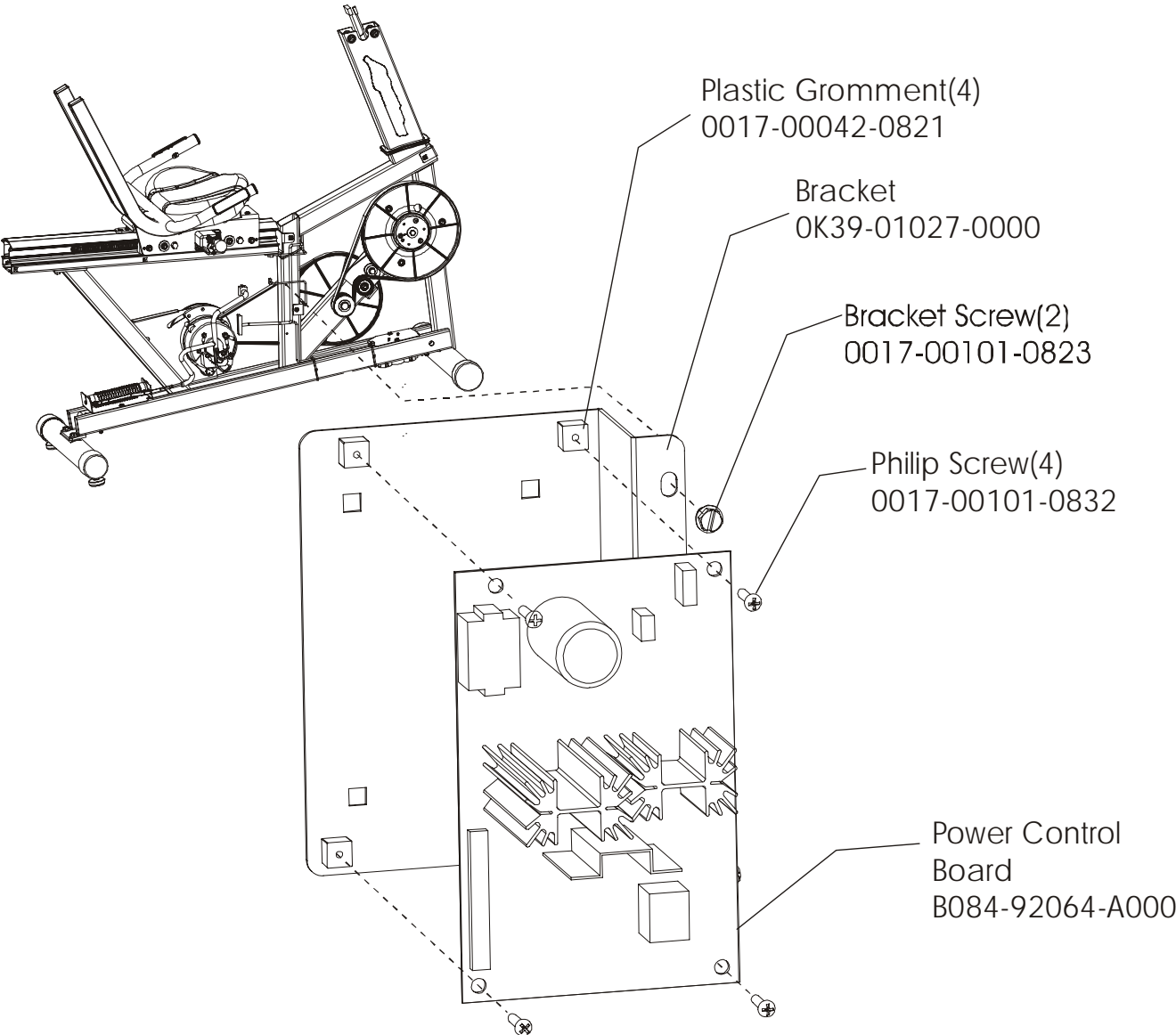


Resistor Assembly



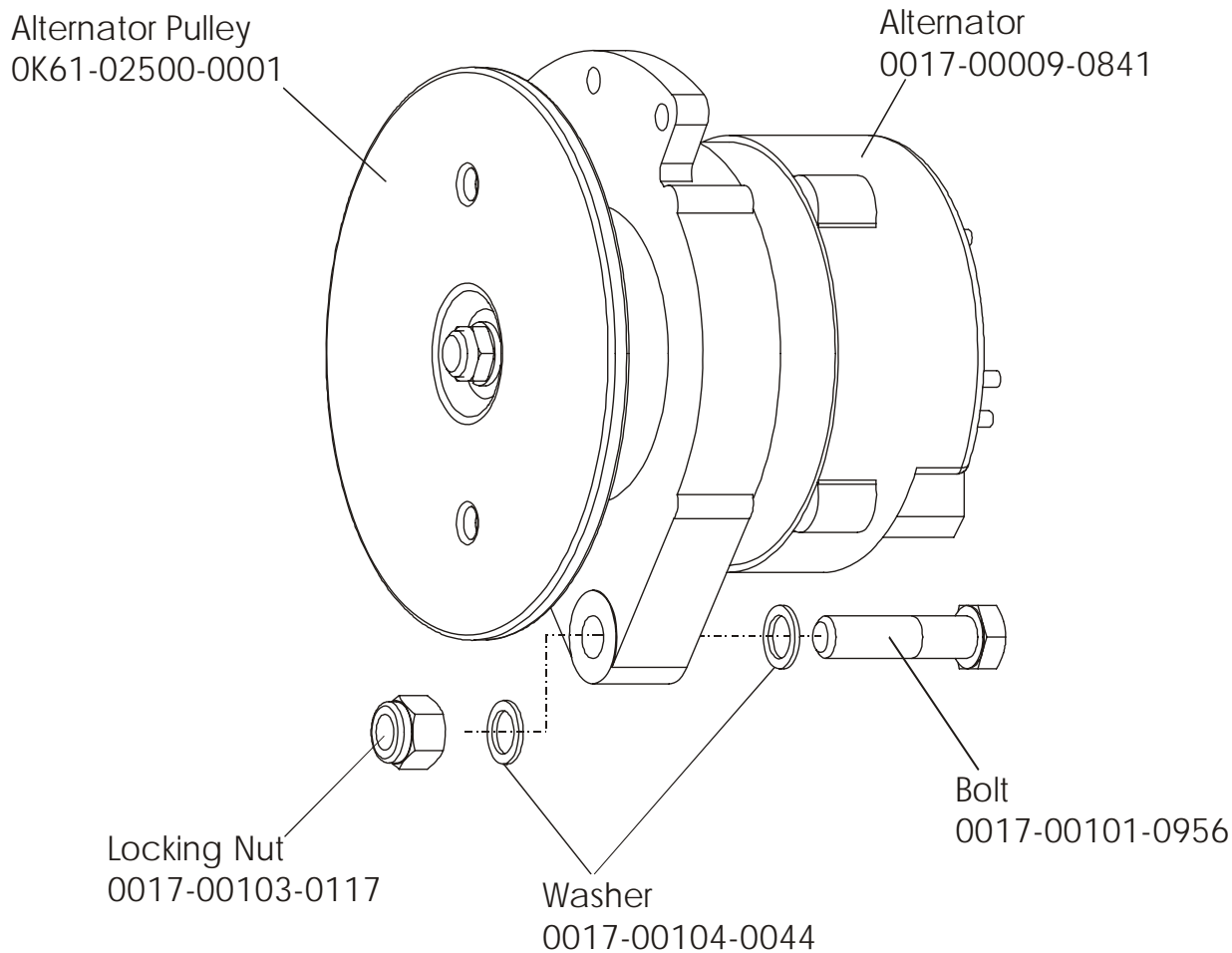
LifeCycle Recumbent Bike - Model R7-0100-02 S/N CEJ100001

Power Control Board - AK39-00022-0002



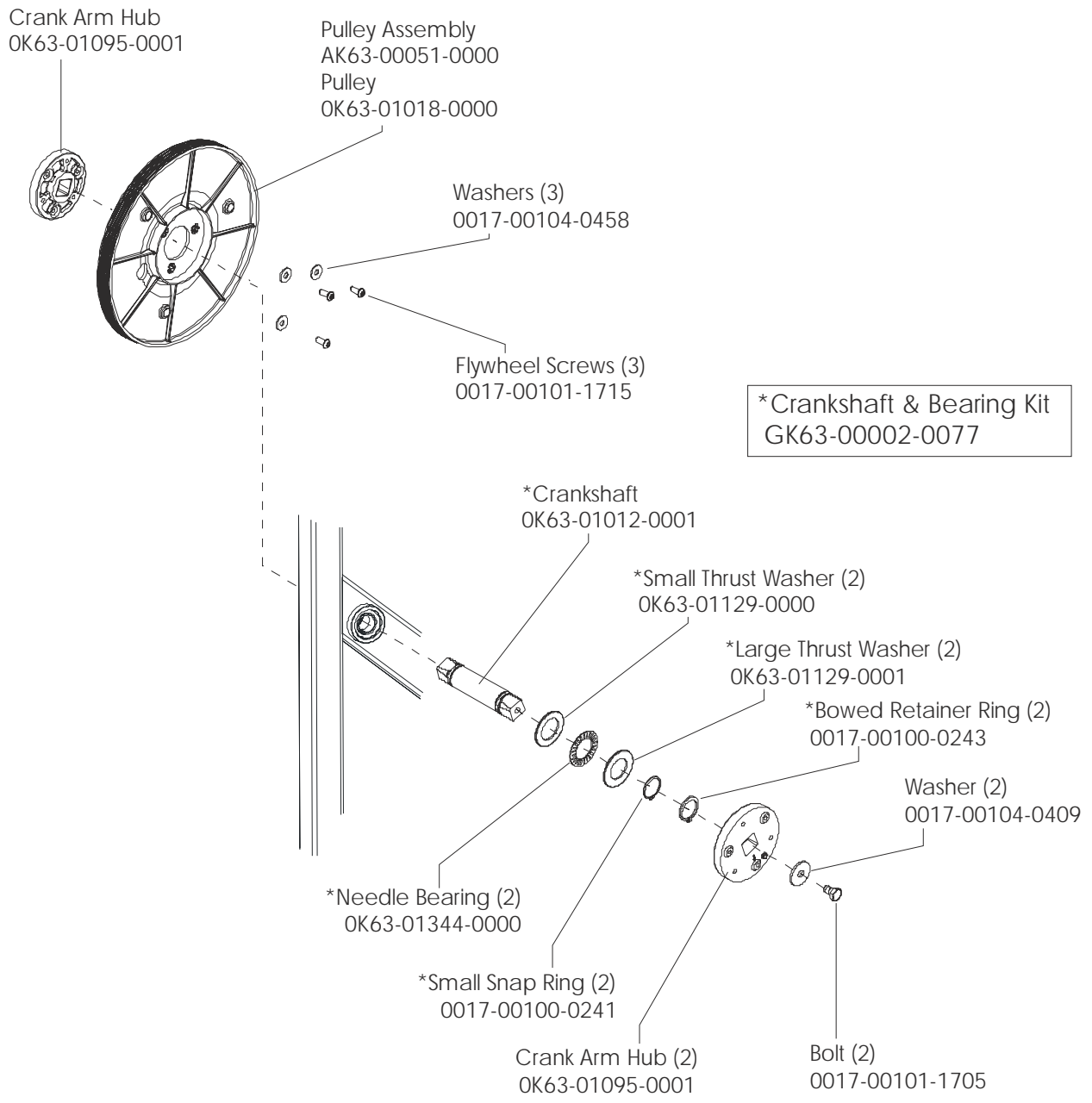
LifeCycle Recumbent Bike - Model R7-0100-02 S/N CEJ100001

Alternator w/Pulley - AK63-00093-0000



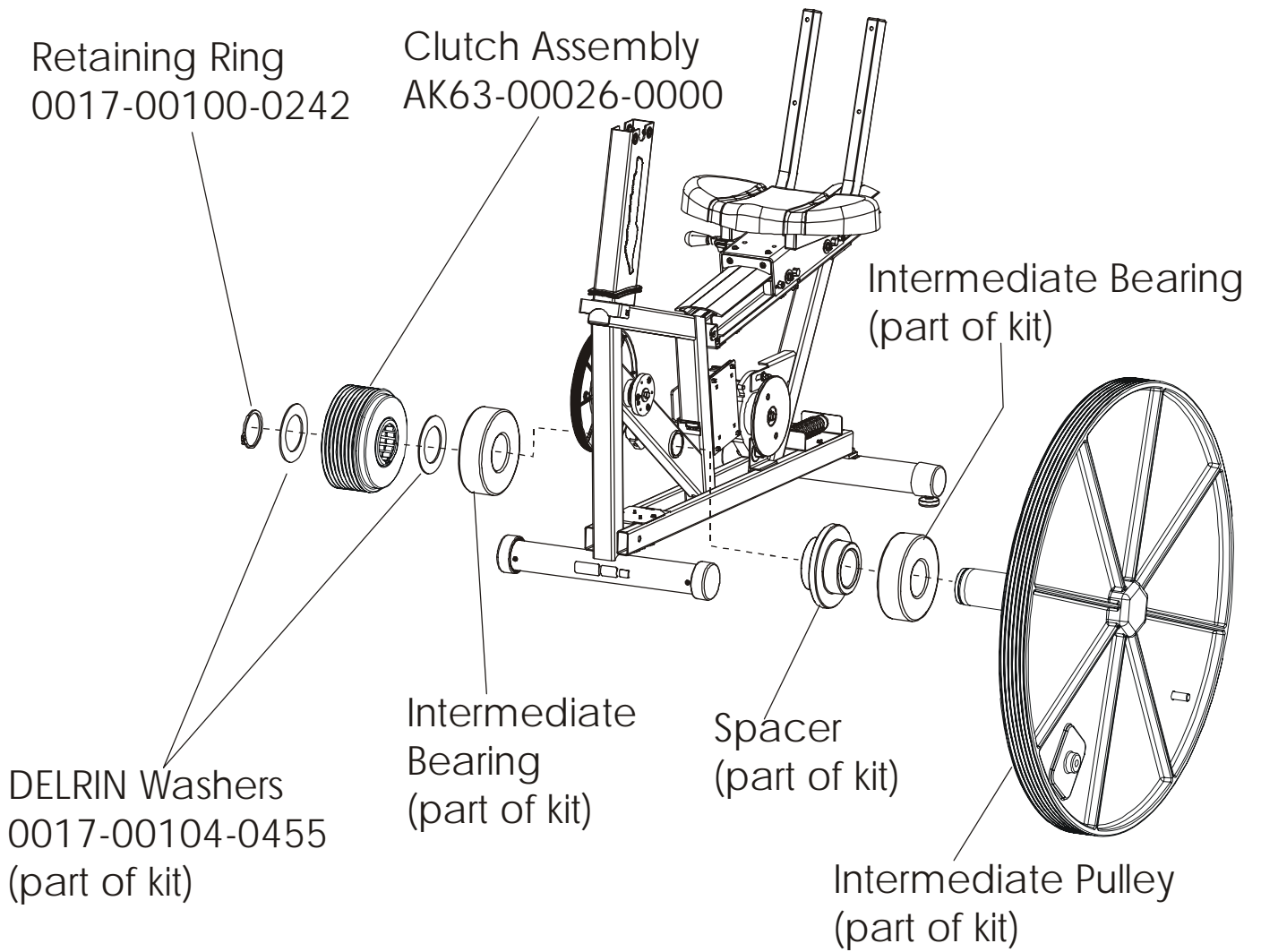
LifeCycle Recumbent Bike - Model R7-0100-02 S/N CEJ100001

Crank Shaft and Bearing Assembly

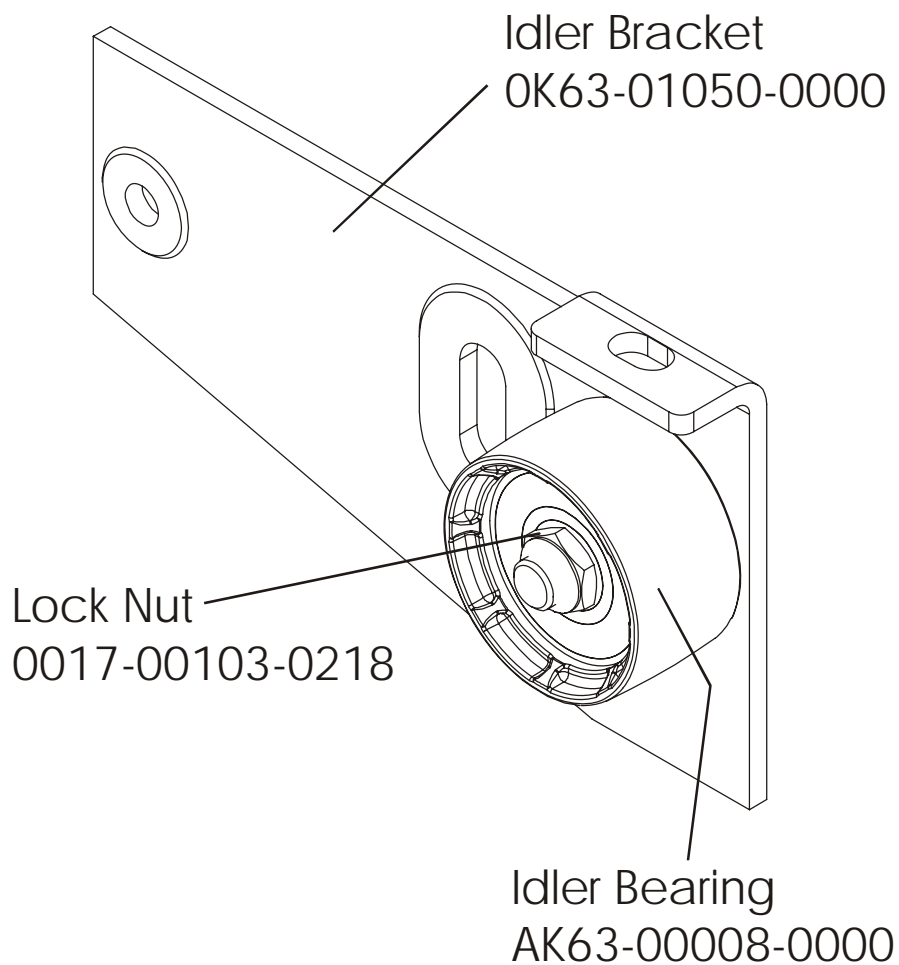


LifeCycle Recumbent Bike - Model R7-0100-02 S/N CEJ100001

Intermediate Shaft and Bearing Assembly – GK63-00002-0007 Kit

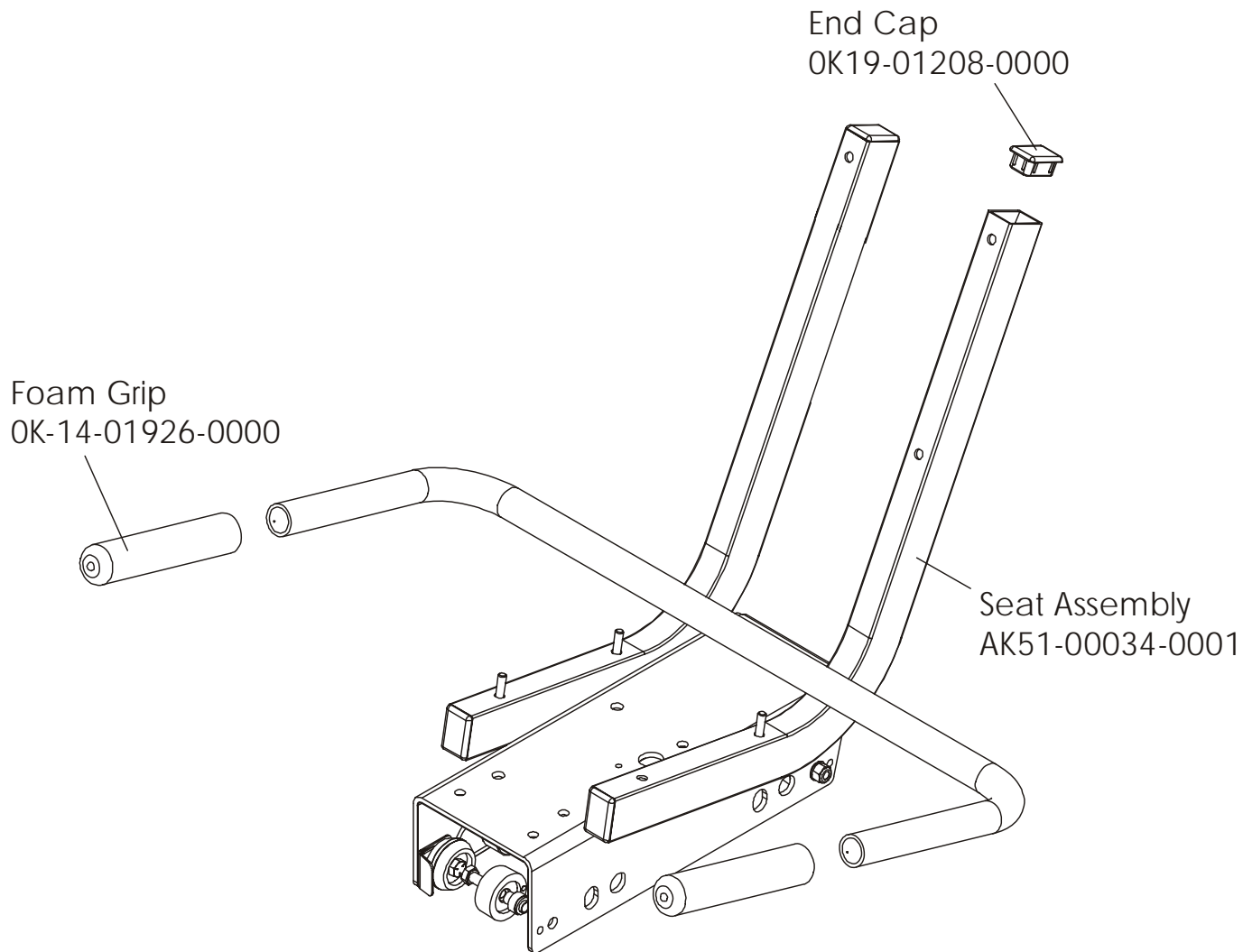


Idler Bracket Assembly – AK63-00021-0000



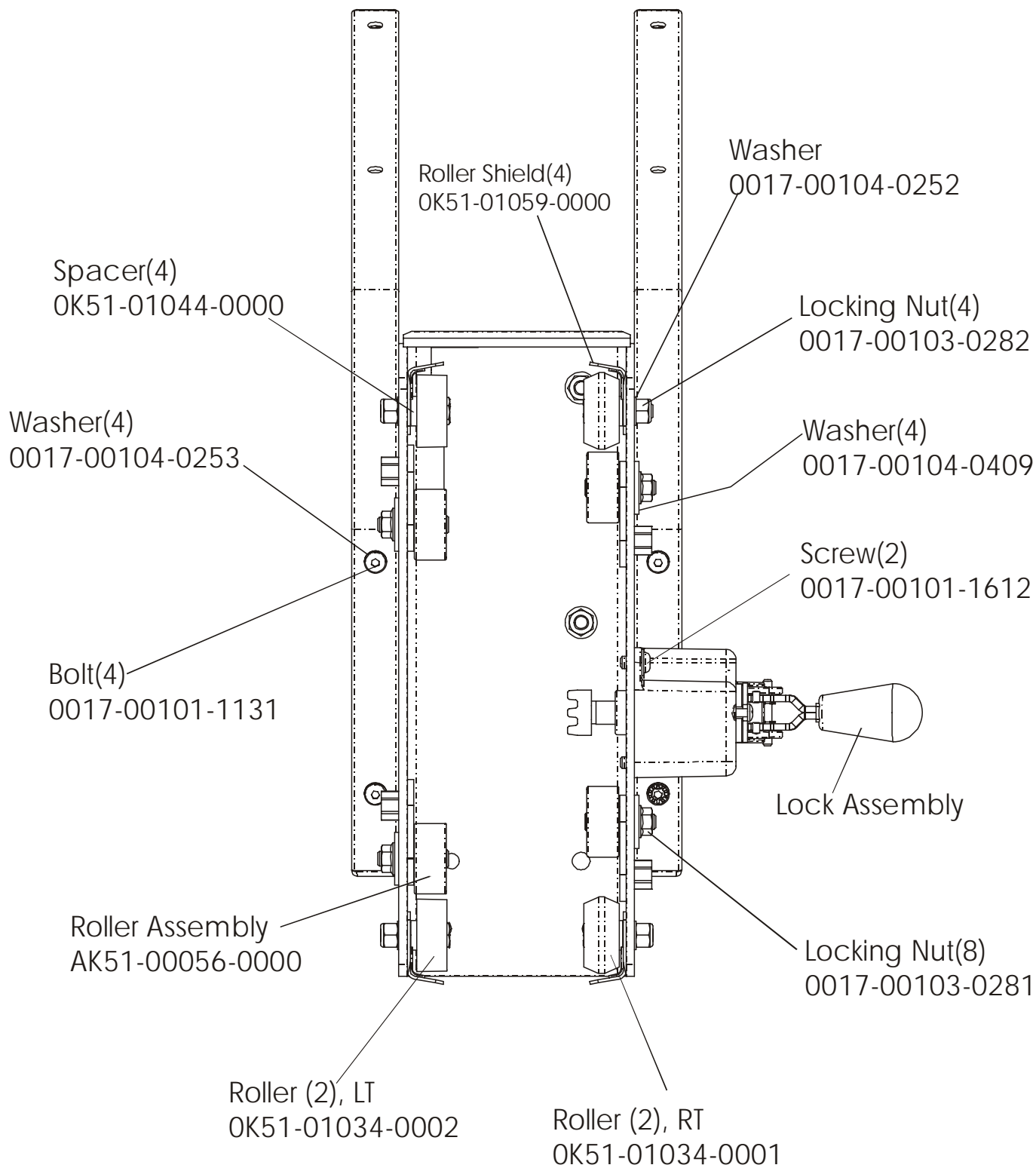
LifeCycle Recumbent Bike - Model R7-0100-02 S/N CEJ100001

Seat Assembly

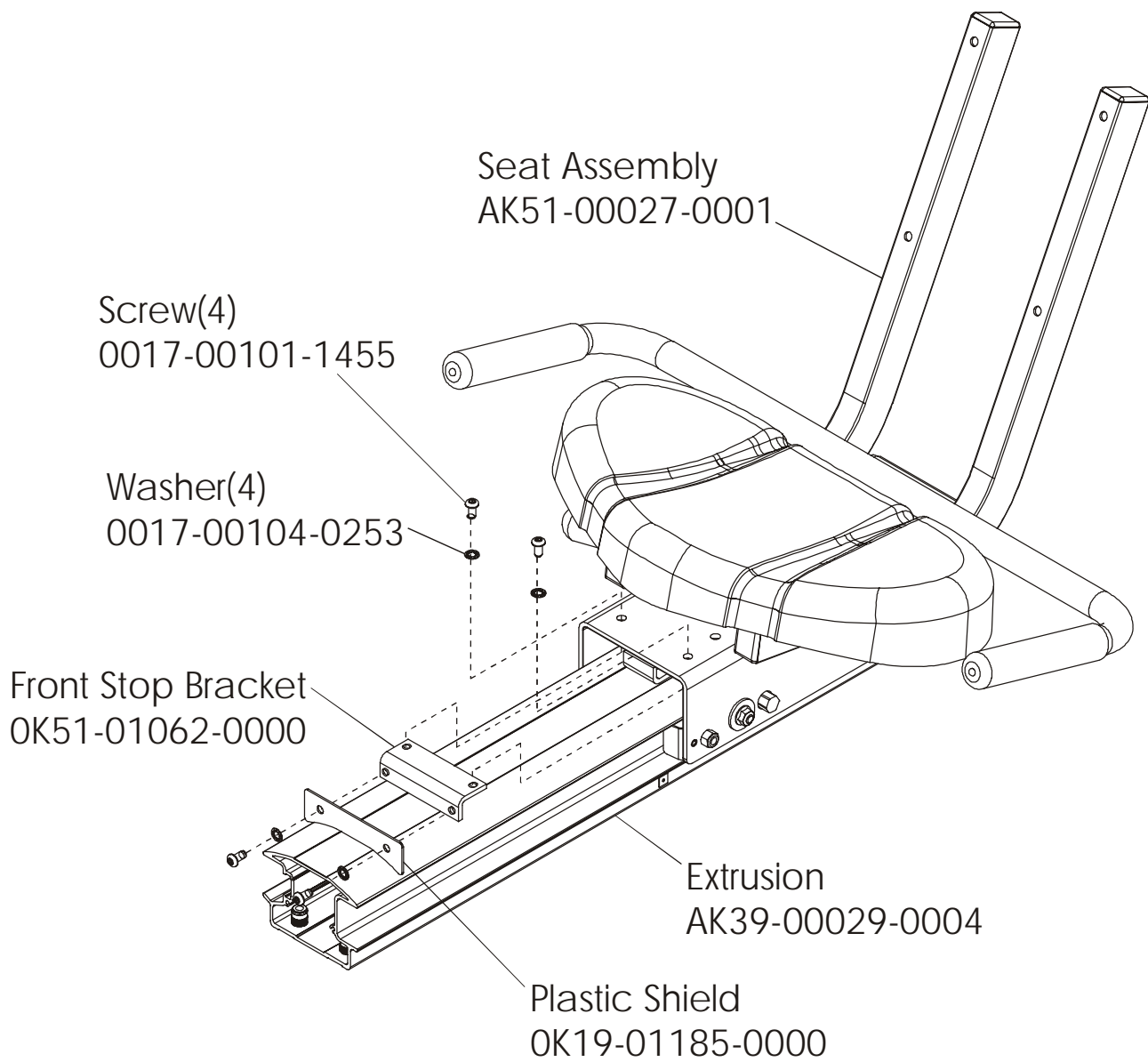


LifeCycle Recumbent Bike - Model R7-0100-02 S/N CEJ100001

Seat Assembly - Bottom

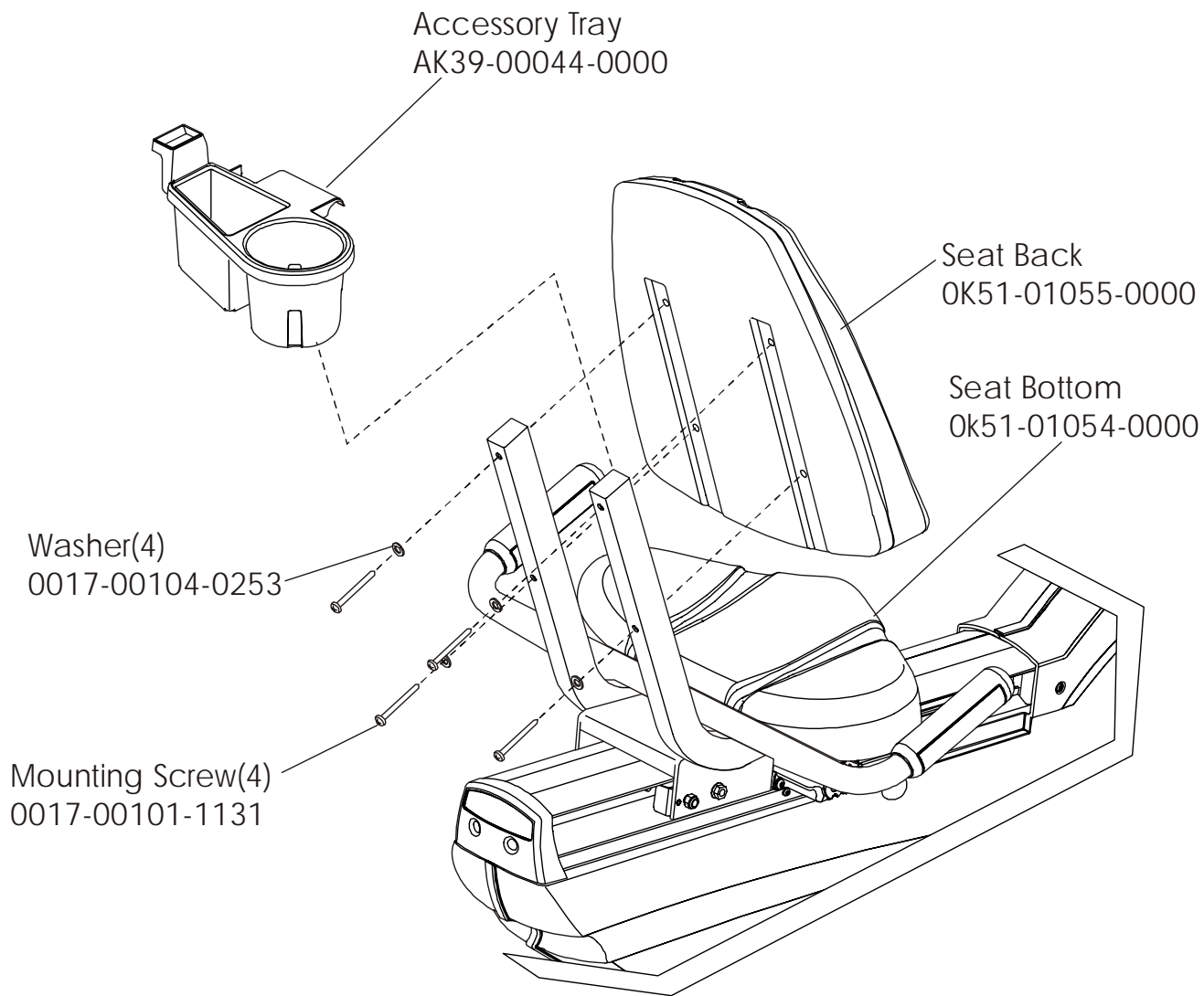


Seat Frame Assembly



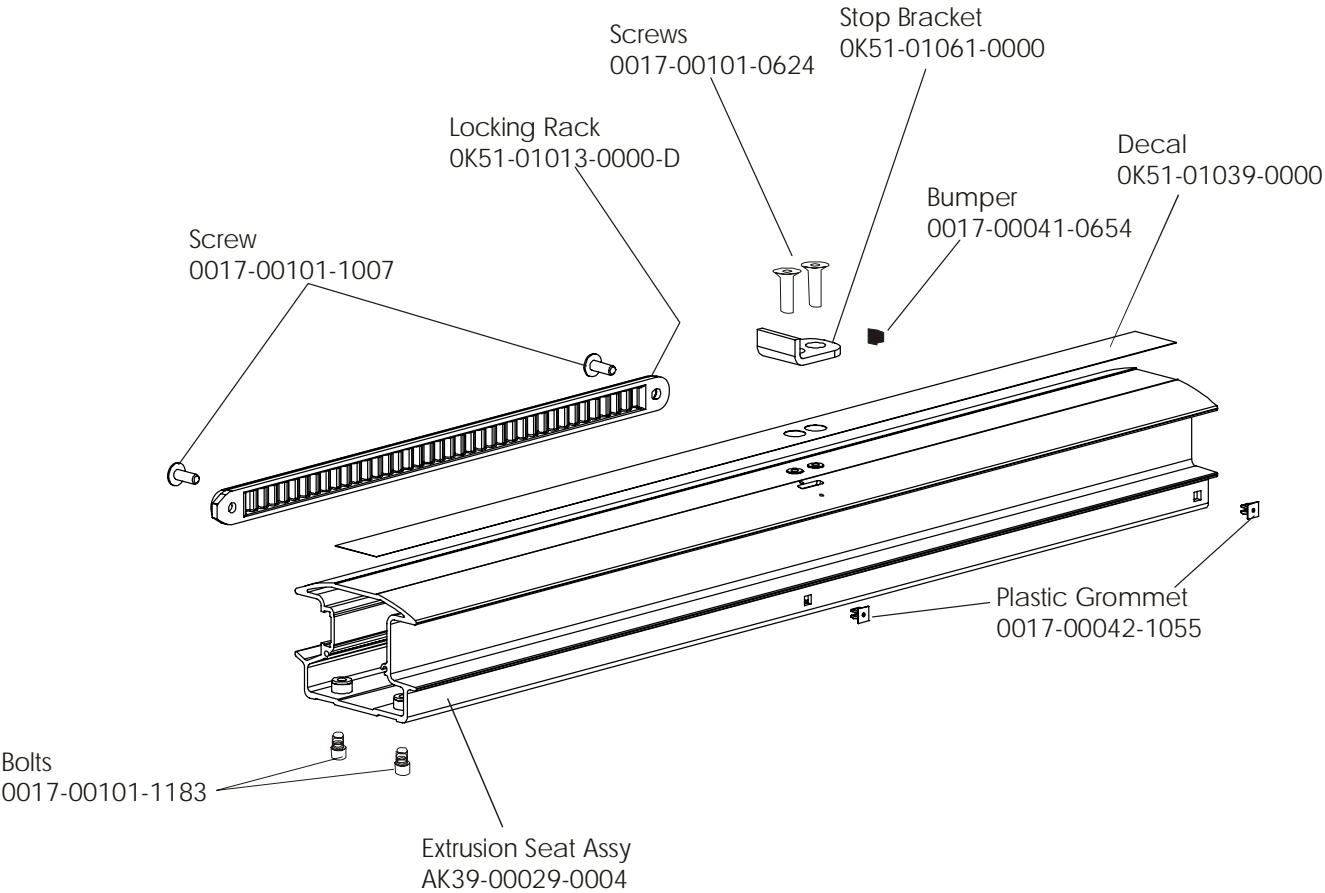
LifeCycle Recumbent Bike - Model R7-0100-02 S/N CEJ100001

Seat Pads and Accessory Tray



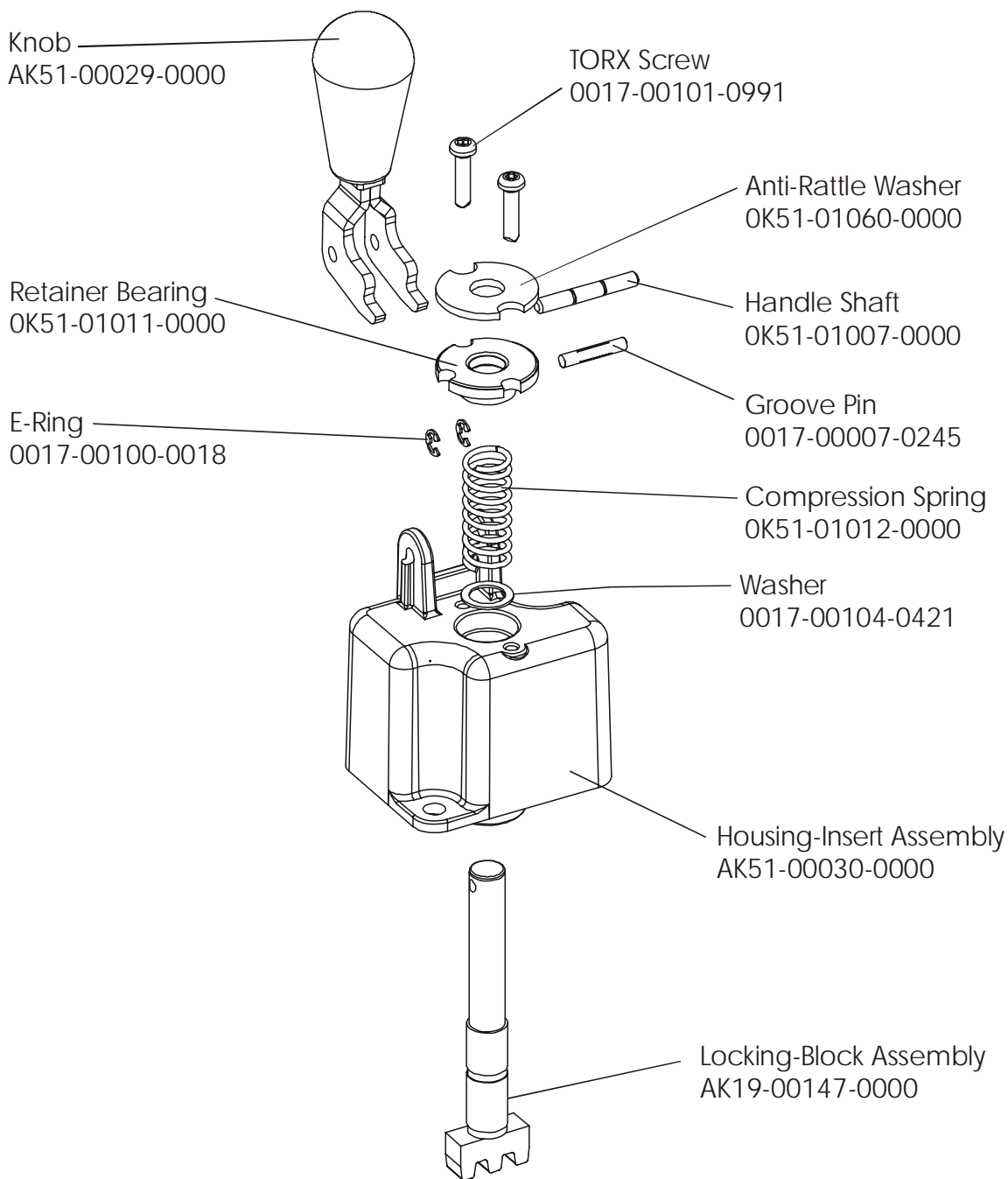
LifeCycle Recumbent Bike - Model R7-0100-02 S/N CEJ100001

Extrusion Assembly



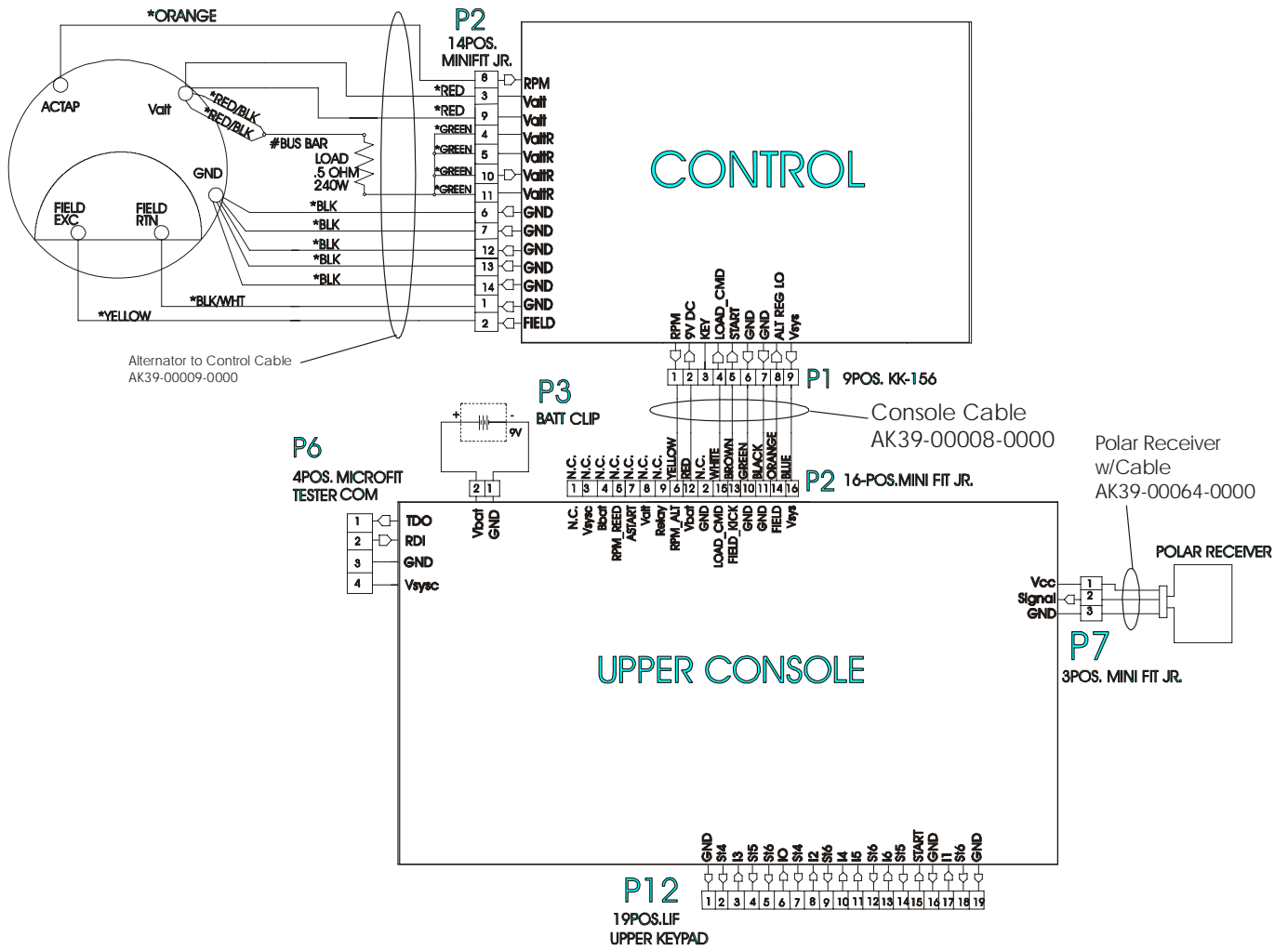
LifeCycle Recumbent Bike - Model R7-0100-02 S/N CEJ100001

Lock Assembly AK51-00053-00000



LifeCycle Recumbent Bike - Model R7-0100-02 S/N CEJ100001

Cable – Block Assembly



Free Manuals Download Website

<http://myh66.com>

<http://usermanuals.us>

<http://www.somanuals.com>

<http://www.4manuals.cc>

<http://www.manual-lib.com>

<http://www.404manual.com>

<http://www.luxmanual.com>

<http://aubethermostatmanual.com>

Golf course search by state

<http://golfingnear.com>

Email search by domain

<http://emailbydomain.com>

Auto manuals search

<http://auto.somanuals.com>

TV manuals search

<http://tv.somanuals.com>