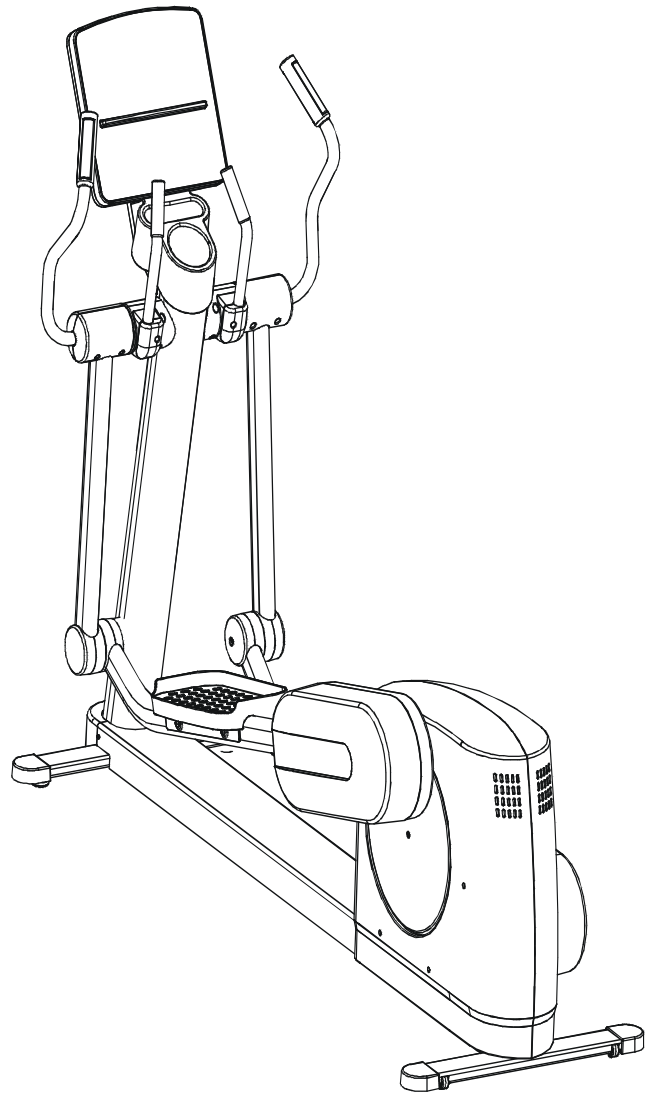
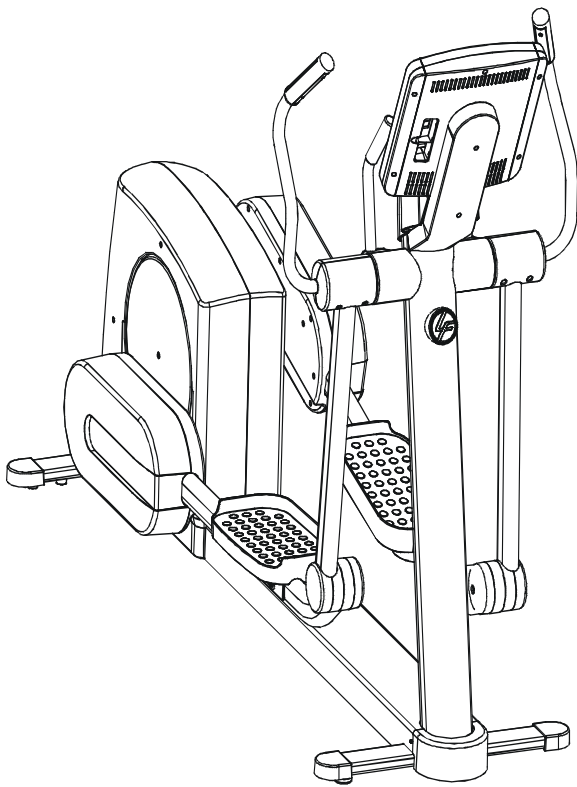


# LifeFitness

ARCTIC SILVER QUIET DRIVE CROSS-TRAINER 93X-0XXX-05  
(Hungary-built Cross-trainer for Domestic Sales)



## Customer Support Services PARTS MANUAL rev 30 Jul 2008

OPERATION MANUAL – (ENG)	M051-00K62-A181
OPERATION MANUAL – (F/S/P)	M051-00K62-A182
OPERATION MANUAL – (G/D/I)	M051-00K62-A183
OPERATION MANUAL – (JAP)	M051-00K62-A184
SERVICE MANUAL	M051-00K62-A149
TOUCH UP PAINT: SPRAY CAN .5 OZ BOTTLE W/APPLICATOR .33 OZ PEN	0017-00008-0204 0017-00008-0205 0017-00008-0206
HARDWARE BAG	AK62-00152-0001
POWER CABLE WITH BRACKET ASSEMBLY CONSISTS OF: 120" COAX CABLE ASSY. 120" POWER EXTENSION CABLE ACCESS PANEL BRACKET F-TYPE PANEL CONNECTOR #8 PLASTIC GROMMET	AK62-00210-0000  AK32-00020-0002 AK32-00078-0001 0K62-01179-0001 0017-00021-2846 0017-00042-0754
PLUG IN OPTION 120/60	GK62-00002-0018
PLUG IN OPTION 240/50 UK	GK62-00002-0019
PLUG IN OPTION 240v AUS	GK62-00002-0020
PLUG IN OPTION 230/50 CONT.	GK62-00002-0021
C-SAFE KIT	GK63-00002-0003

	Page
CONSOLE SUPPORT & DEADSHAFT COVERS .....	4
HANDLEBARS AND BULLHORNS .....	5
CONSOLE AND RELATED COMPONENTS.....	6
UPPER FRAME HARDWARE .....	7
ROCKER ARMS AND PEDAL LEVERS .....	8
CRANK COVER AND LOWER CAPS.....	9
LOWER FRAME SHROUDS AND HARDWARE.....	10
PEDAL LEVER COMPONENTS.....	11
PCB, BATTERY, REED SWITCH & BRACKET .....	12
BEARING-INSERT ASSEMBLY .....	13
CRANK ARM PULLEY ASSEMBLY.....	14
DRIVE MODULE .....	15
DRIVE MODULE HARDWARE.....	16
CABLES.....	17

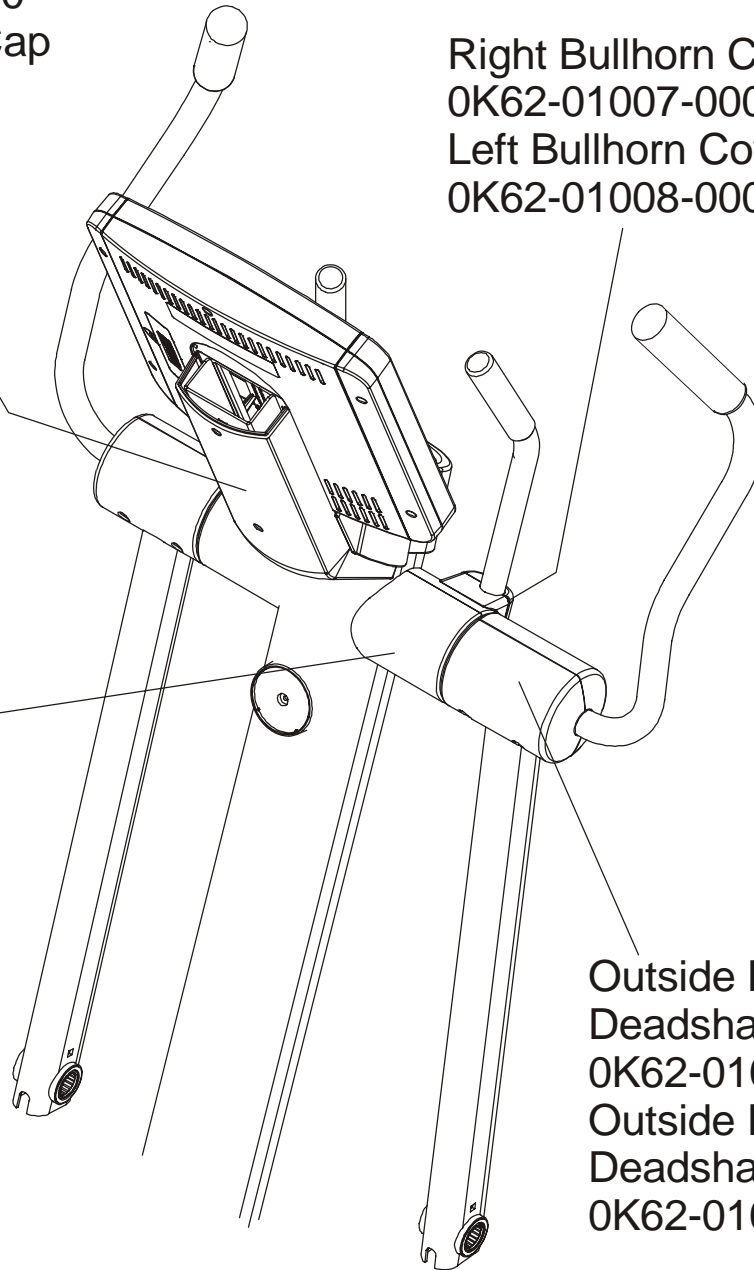
**Note: The 93X has both Life Pulse sensors and Telemetry for reading Heart Rate and is pre-wired for attachable LCD TV's.**

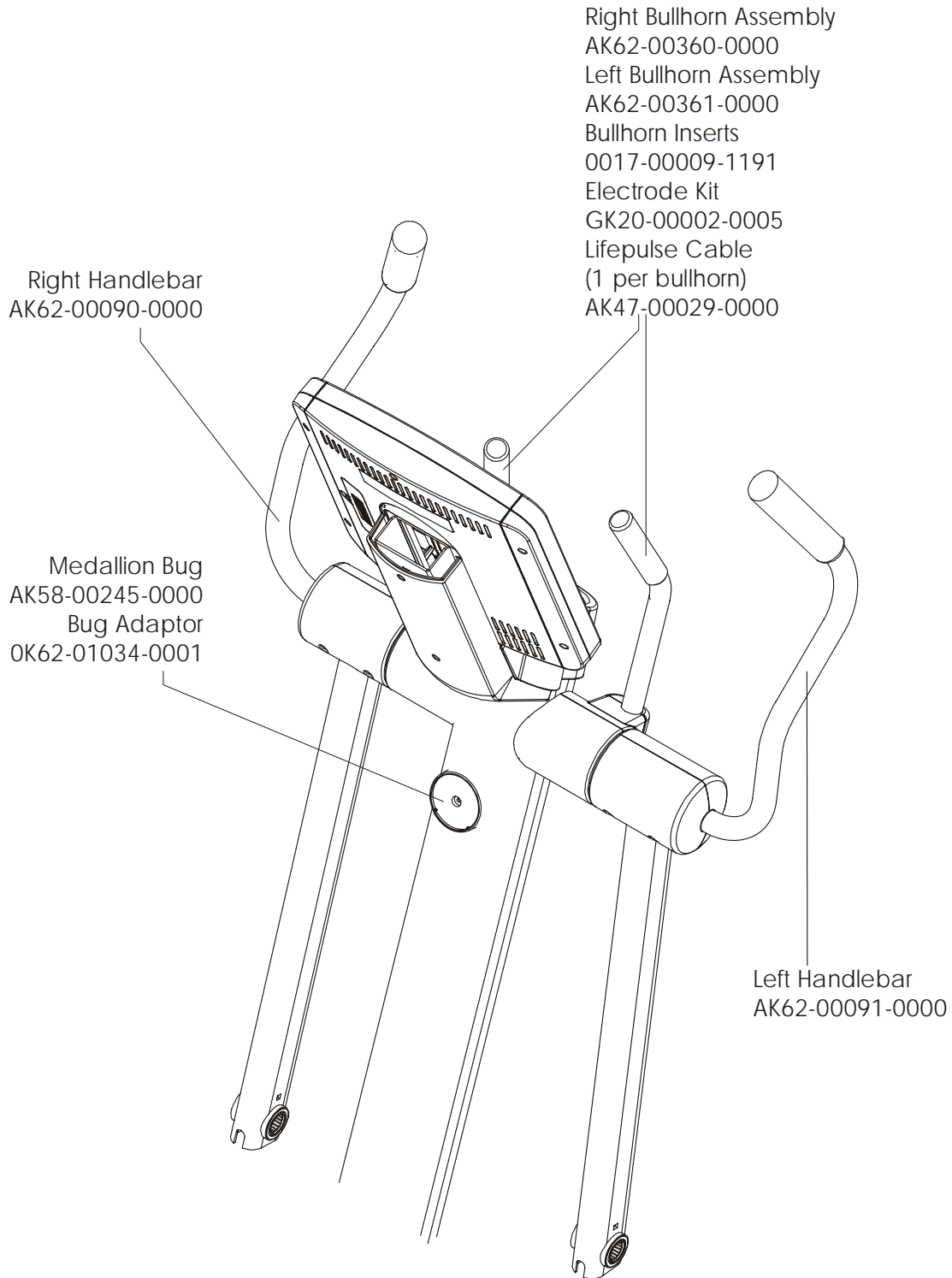
Console Support  
MAK62-00123-0000  
Console Support Cap  
0K62-01030-0000  
Console Support  
Shroud  
0K62-01023-0000

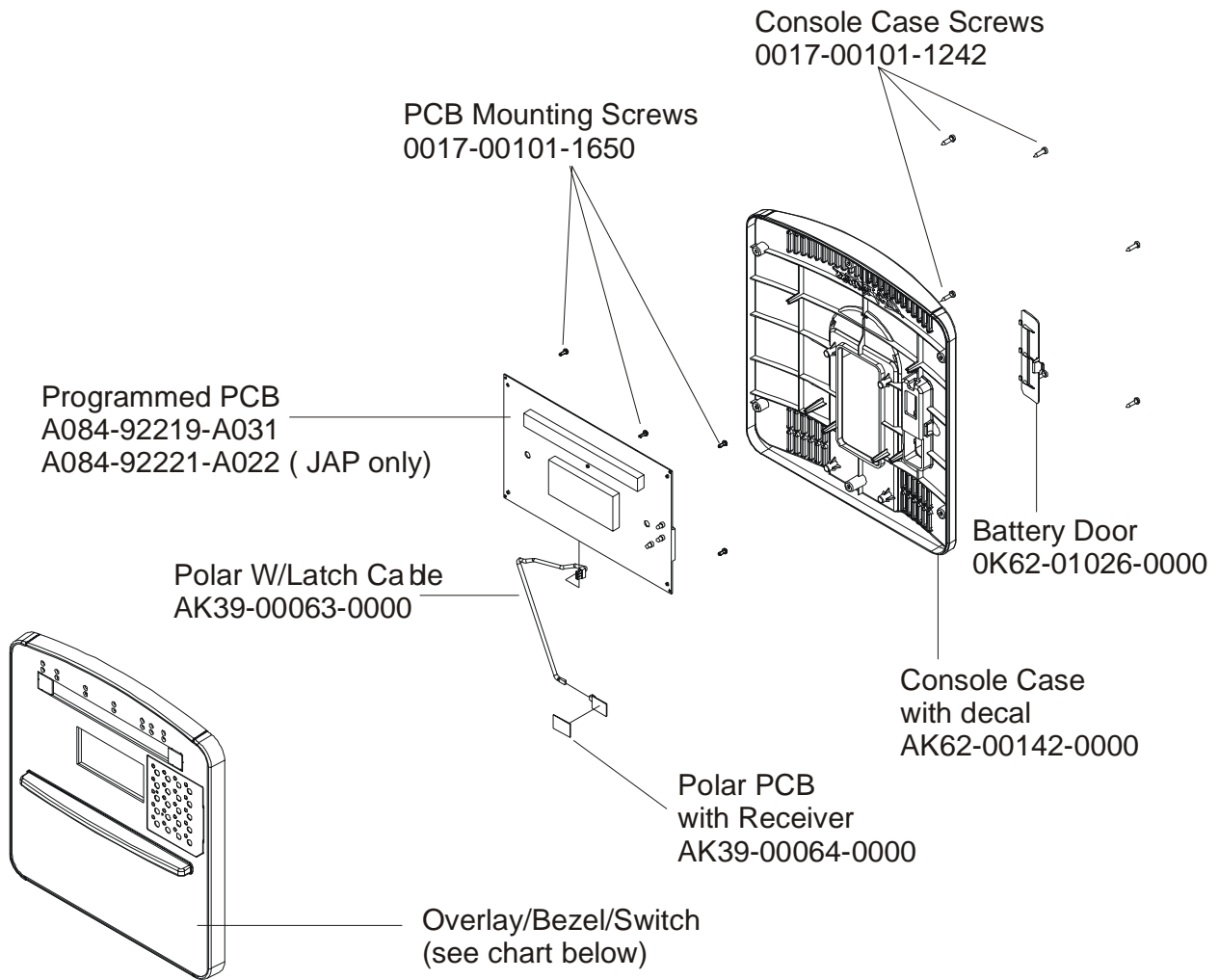
Right Bullhorn Cover  
0K62-01007-0001  
Left Bullhorn Cover  
0K62-01008-0001

Right Inside  
Deadshaft Cover  
0K62-01010-0000  
Left Inside  
Deadshaft Cover  
0K62-01011-0000  
2-Front Inside  
Deadshaft Cover  
0K62-01009-0000

Outside Front  
Deadshaft Cover (2)  
0K62-01013-0000  
Outside Rear  
Deadshaft Cover (2)  
0K62-01012-0000

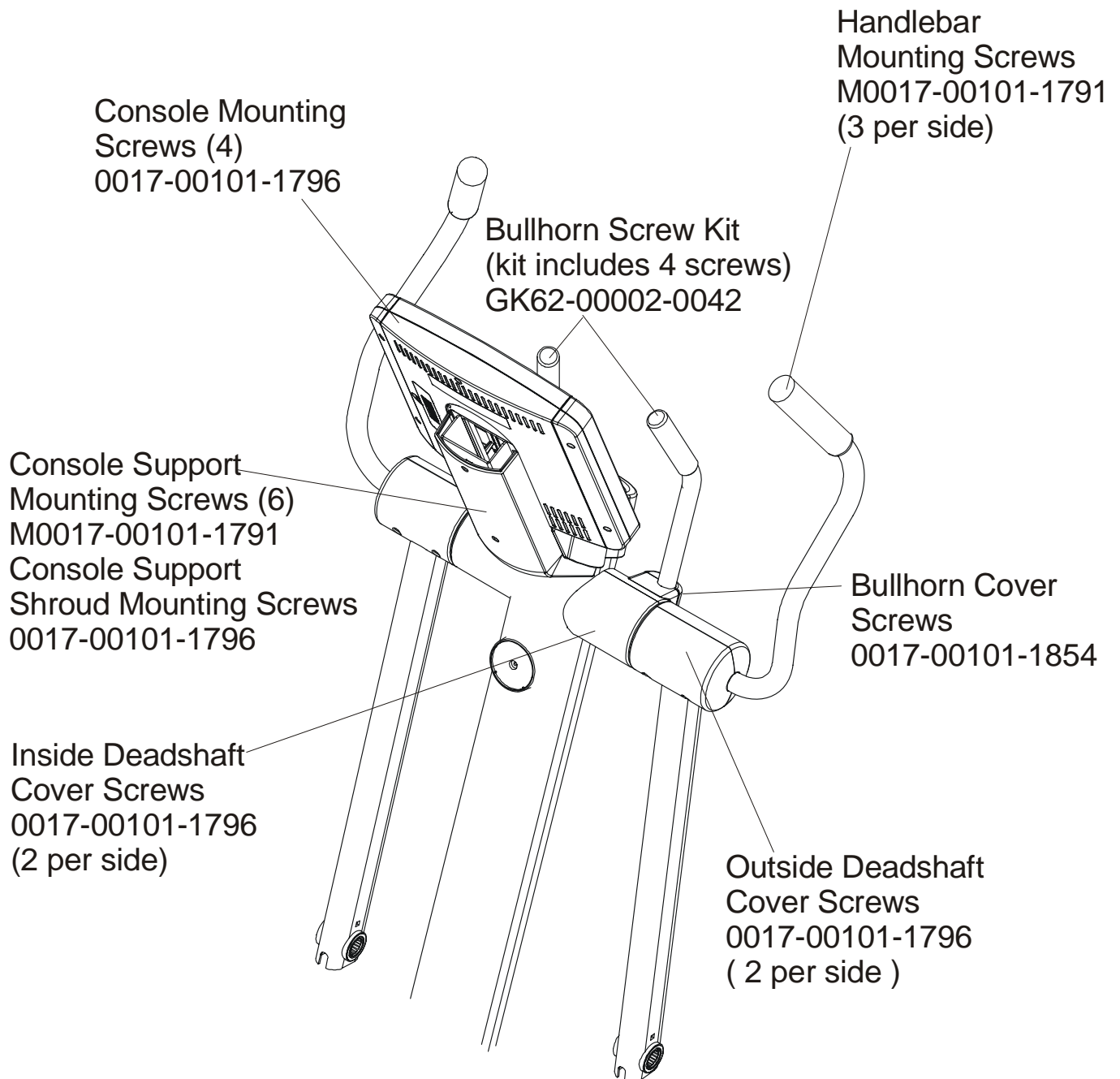






CONSOLE	OVERLAY/BEZEL/SWITCH	LANGUAGE
AK62-00365-0001	AK62-00190-0001	Eng/Eng
AK62-00365-0002	AK62-00190-0001	Eng+Met
AK62-00365-0003	AK62-00190-0003	Ger/Met
AK62-00365-0004	AK62-00190-0004	Spn/Met
AK62-00365-0006	AK62-00190-0006	Jap/Met
AK62-00365-0007	AK62-00190-0007	Frn/Met
AK62-00365-0008	AK62-00190-0008	Ital/Met
AK62-00365-0009	AK62-00190-0009	Dut/Met
AK62-00365-0010	AK62-00190-0010	Port/Met
AK62-00365-0014	AK62-00190-0001	Turk/Met

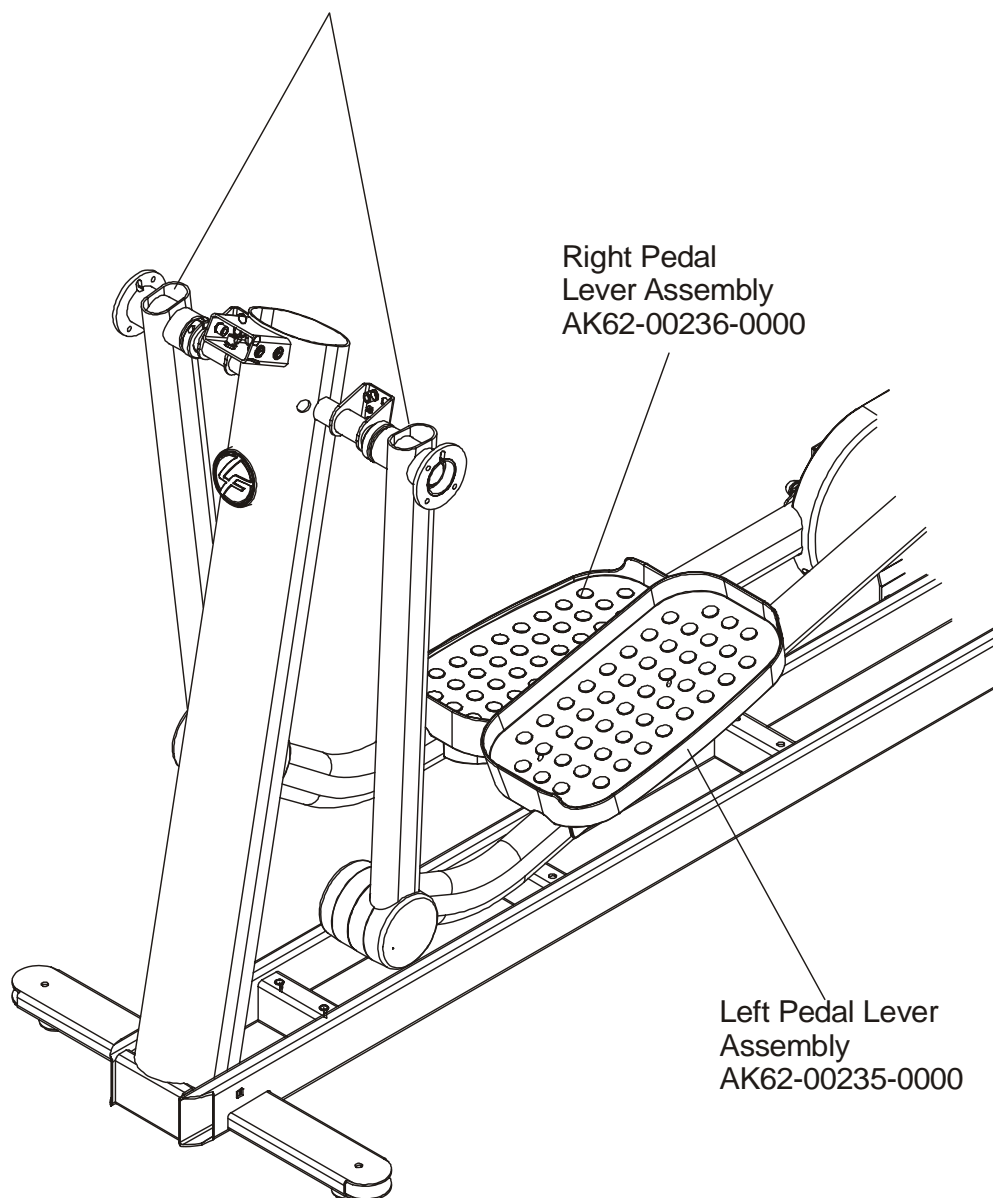
Items Not Shown	
Accessory Tray	0K62-01022-0000
Accessory Tray Mounting Screws (2)	0017-00101-1846



Rocker Arms Kit  
GK62-00002-0070  
contents:

- Rocker Arms (2)
- Hardened Spacers (2)
- Oillite Washers (2)
- Retaining Rings (2)
- Loctite 620*
- Alcohol pad

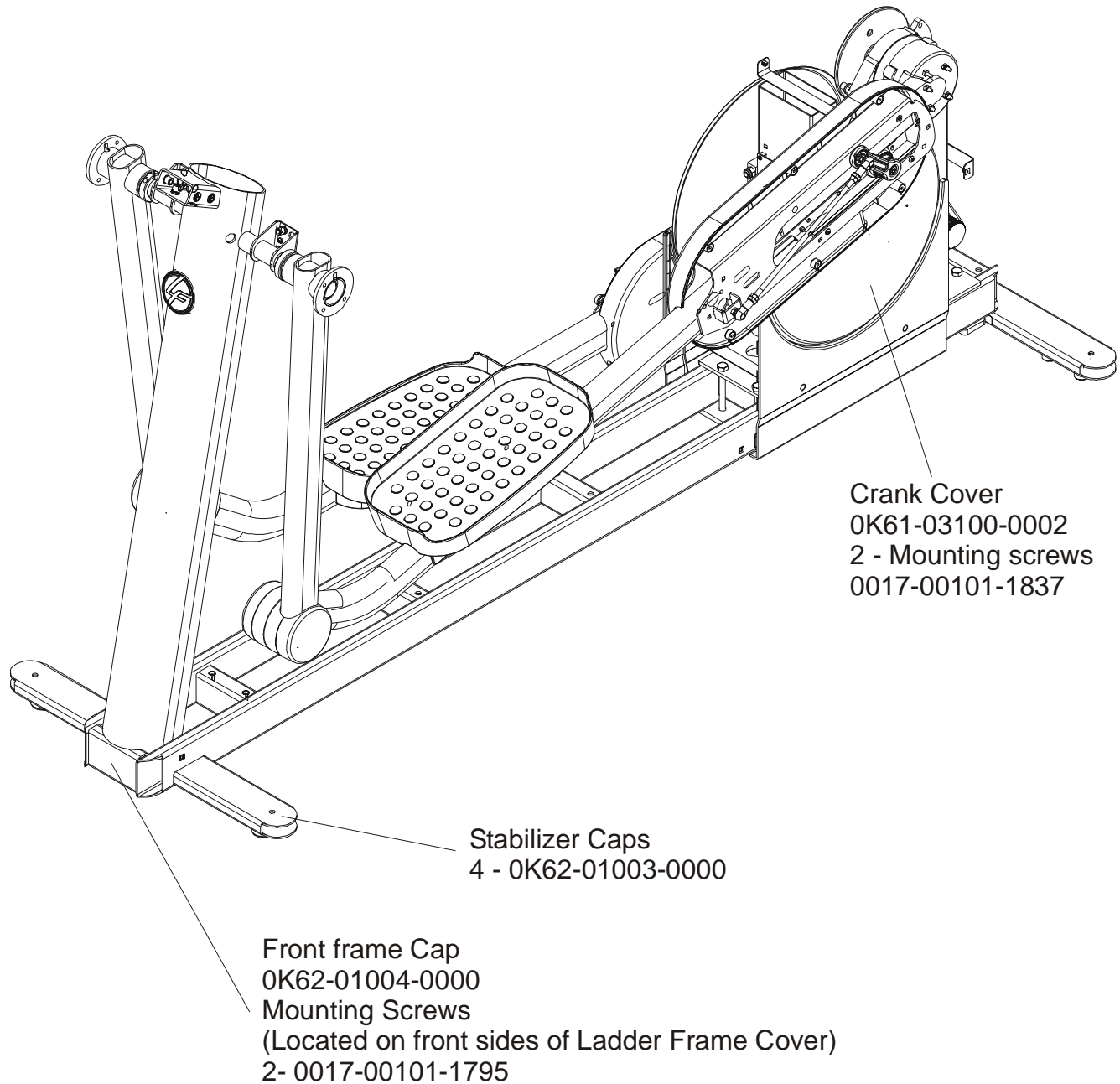
Rocker Arms  
AK62-00002-0070  
Shaft Collar w/Screws  
0K61-01259-0000





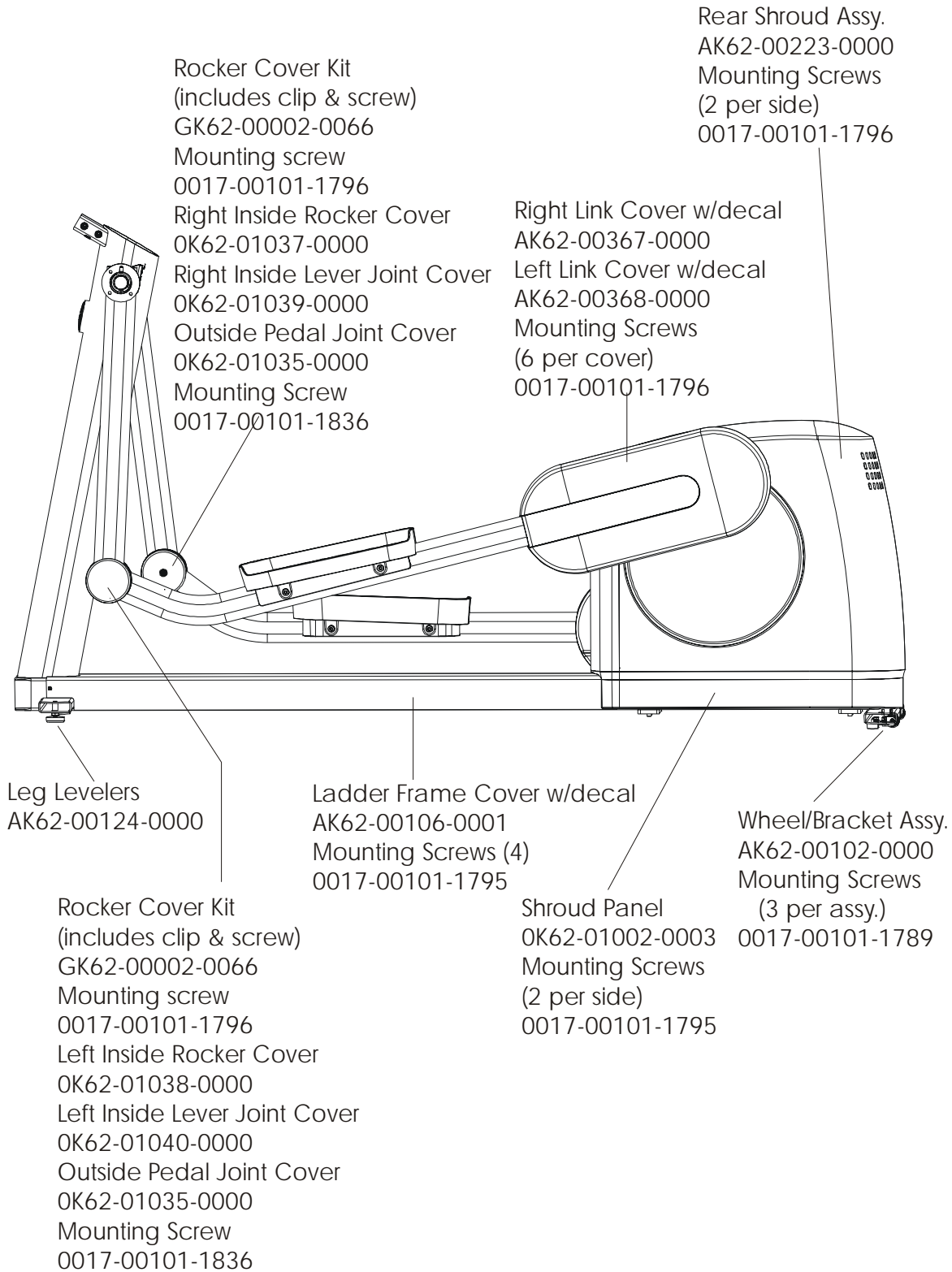
**ARCTIC SILVER QUIET DRIVE 93X**  
**Crank Cover and Lower Caps**

**93X-0XXX-05**  
**S/N XHF074003991 – XHF074204255**



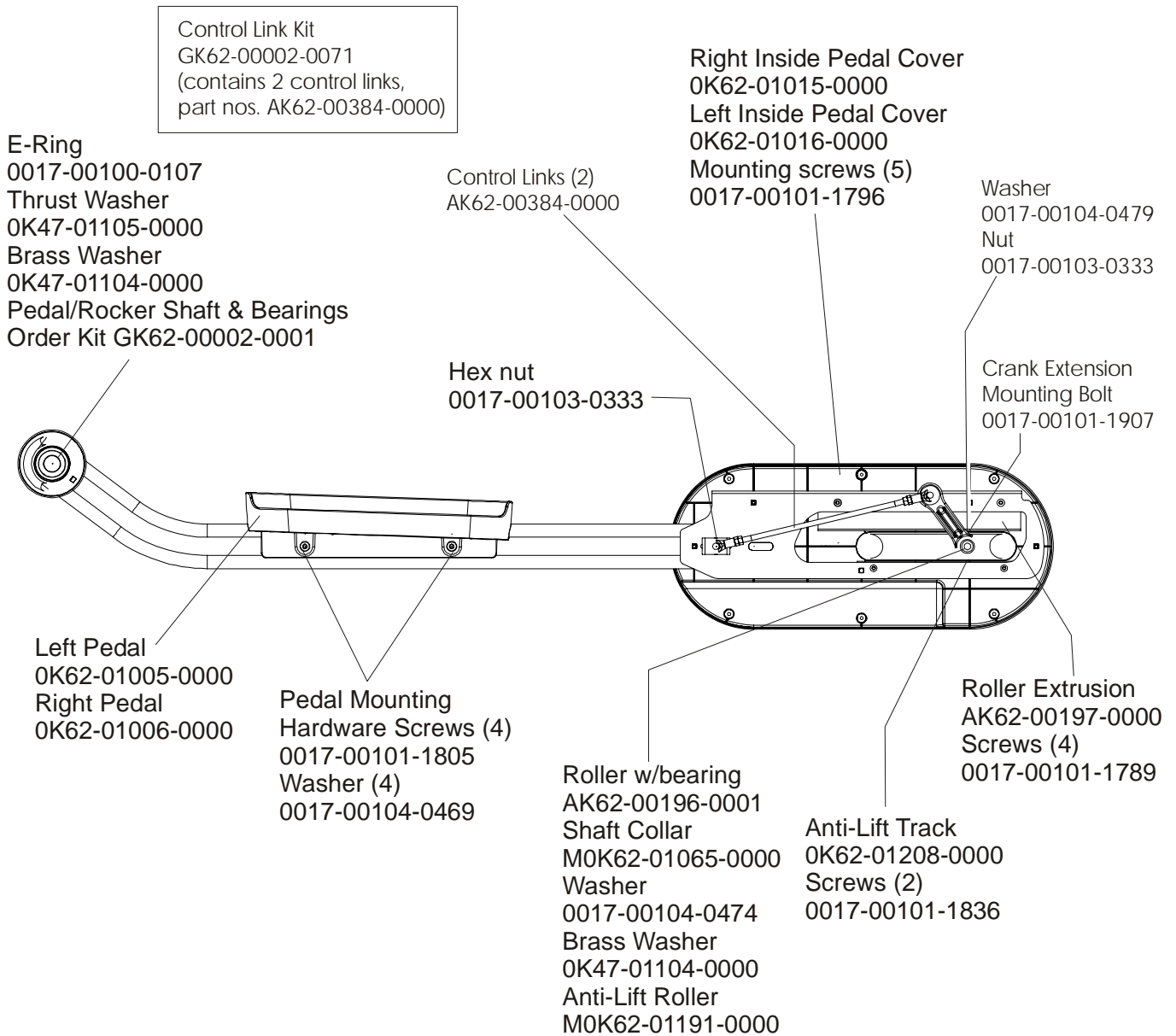
**ARCTIC SILVER QUIET DRIVE 93X**  
**Lower Frame Shrouds & Hardware**

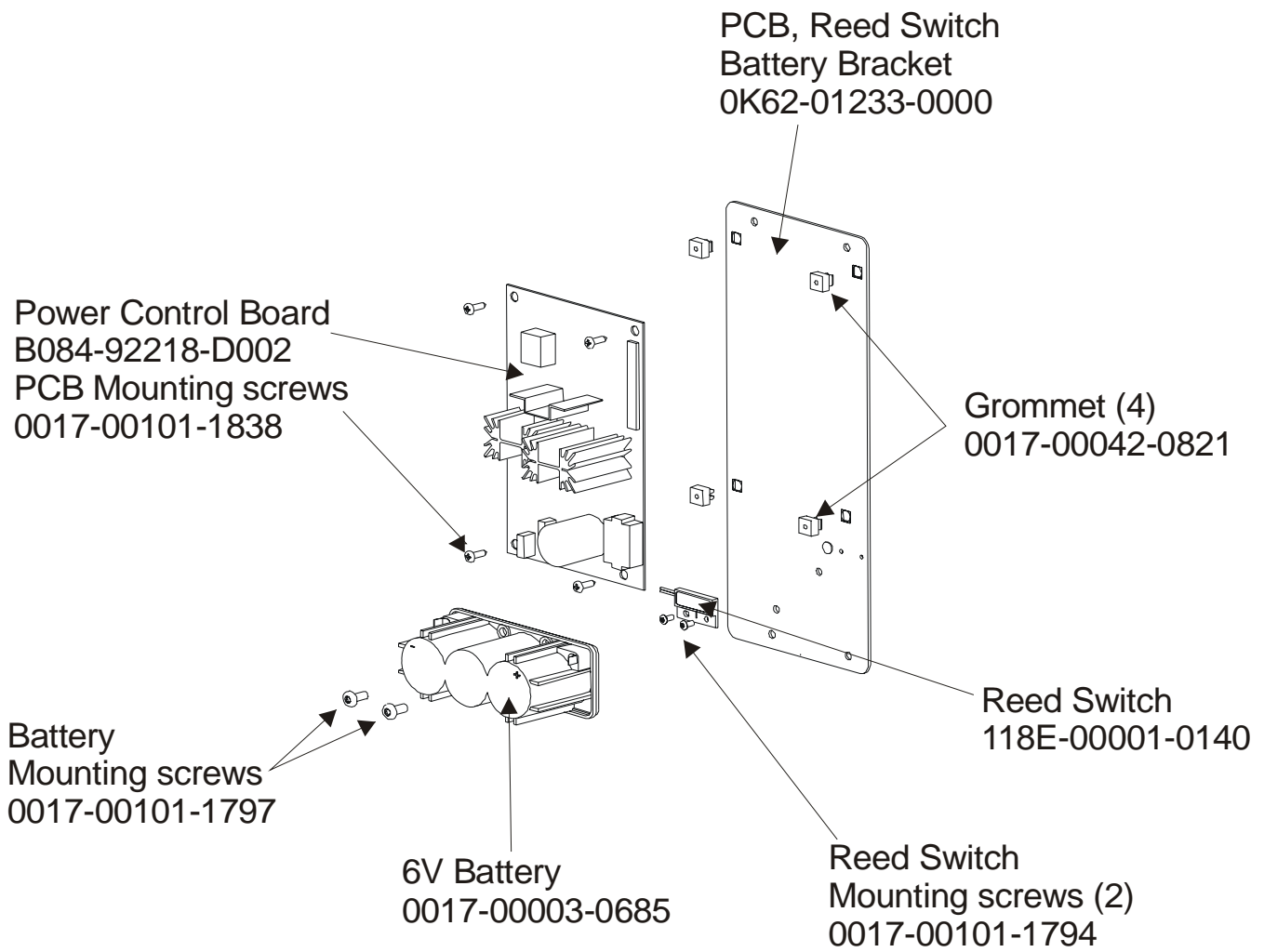
**93X-0XXX-05**  
**S/N XHF074003991 – XHF074204255**



**ARCTIC SILVER QUIET DRIVE 93X**  
**Pedal Lever Assembly Components**

**93X-0XXX-05**  
**S/N XHF074003991 – XHF074204255**





**ARCTIC SILVER QUIET DRIVE 93X**  
**Bearing-Insert Assembly –**  
**AK62-00299-0000**

**93X-0XXX-05**  
**S/N XHF074003991 –**  
**XHF074204255**

This assembly is used 4 times on the drive module assembly.

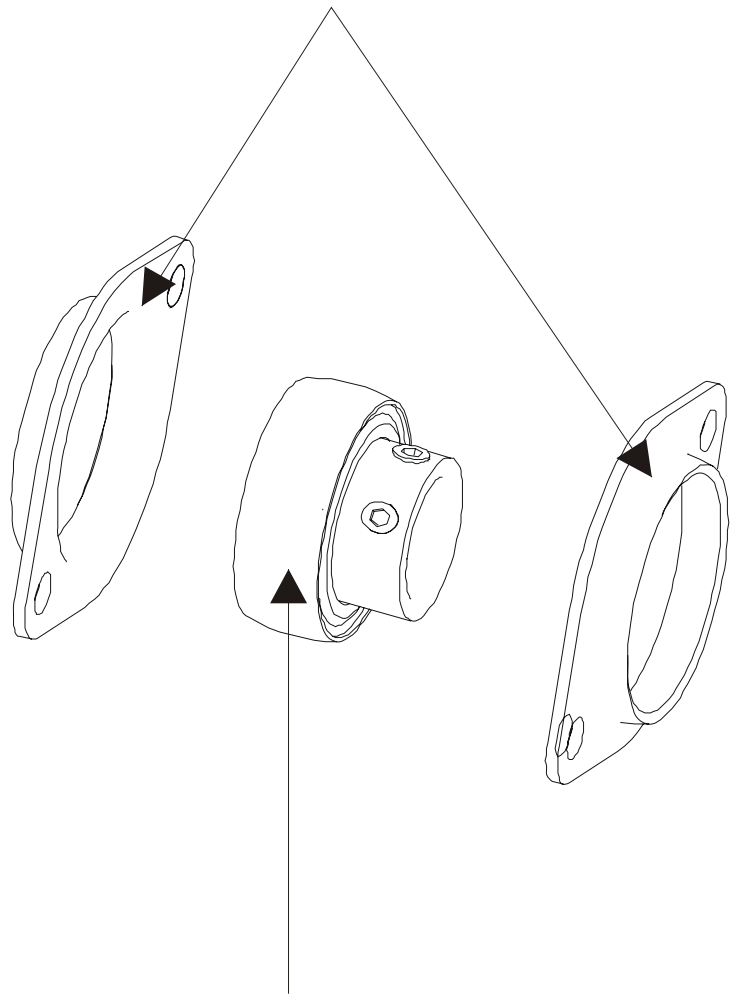
**Service Kit-**  
**GK62-00002-0044**  
**Includes:**

- 1- crankshaft
- 2- bearings
- 2- sets of bearing flanges
- 4- nuts and washers

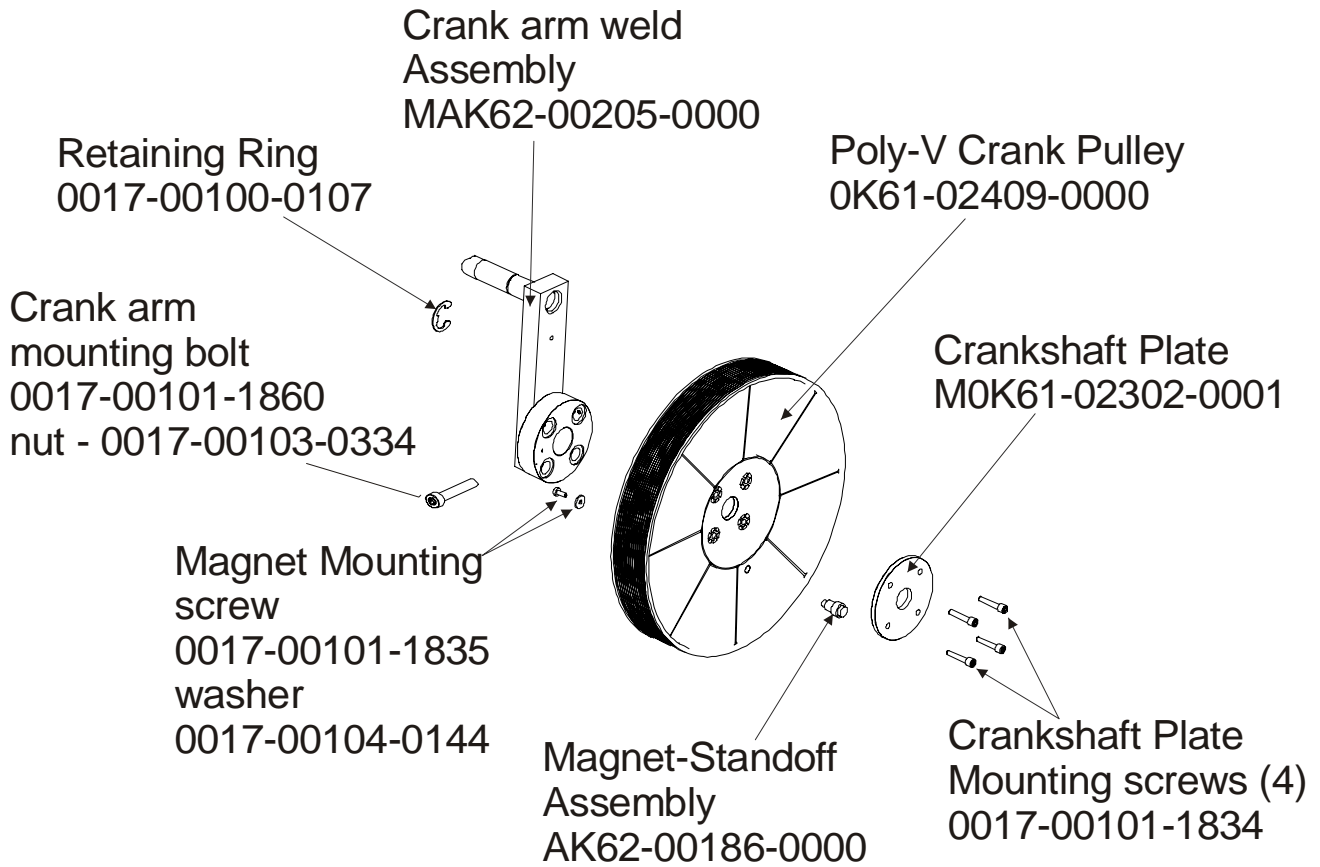
**Service Kit- GK62-00002-0045**  
**Includes:**

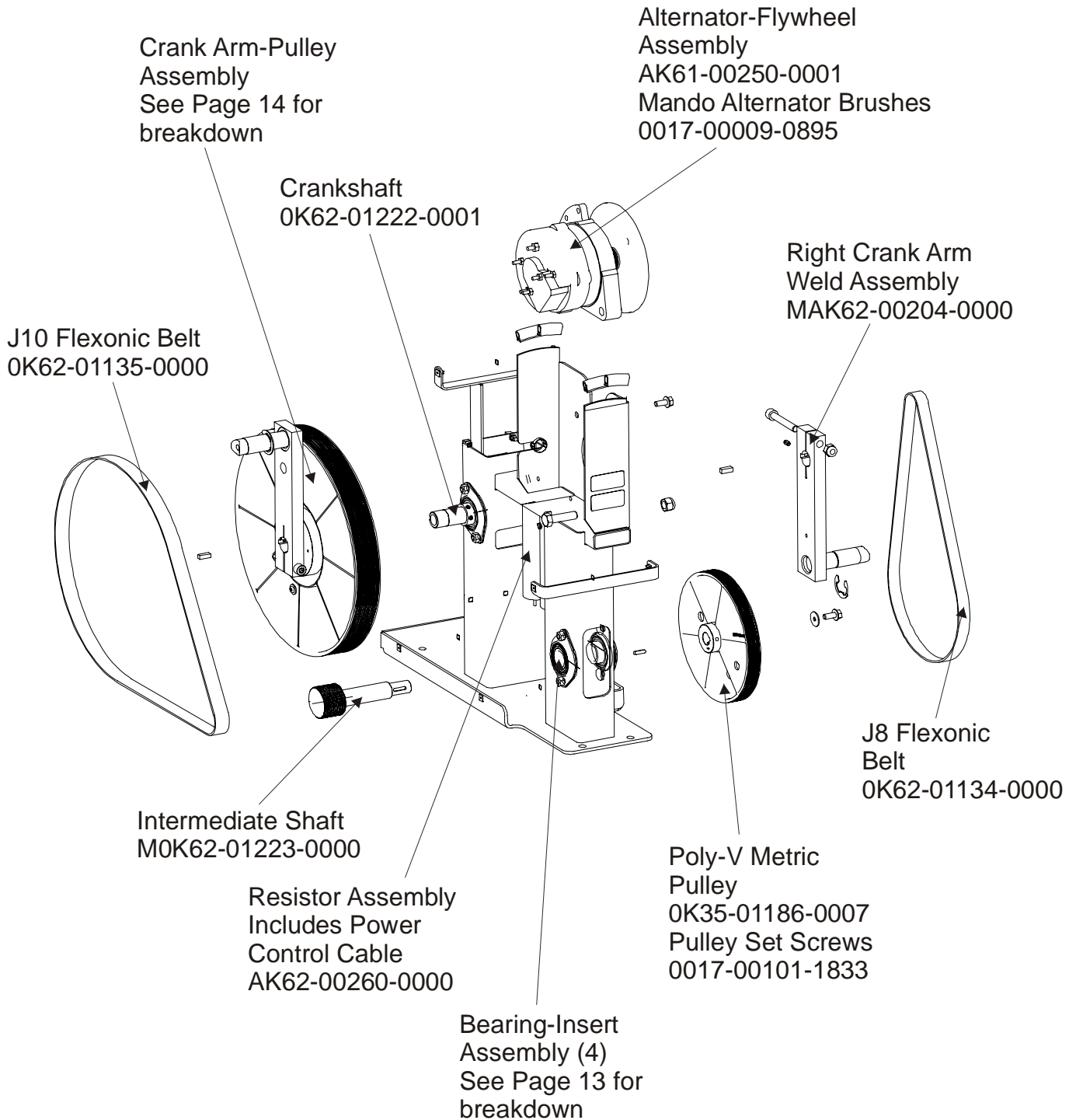
- 1 - intermediate shaft
- 2 - bearings
- 2- sets of bearing flanges
- 4- nuts and washers

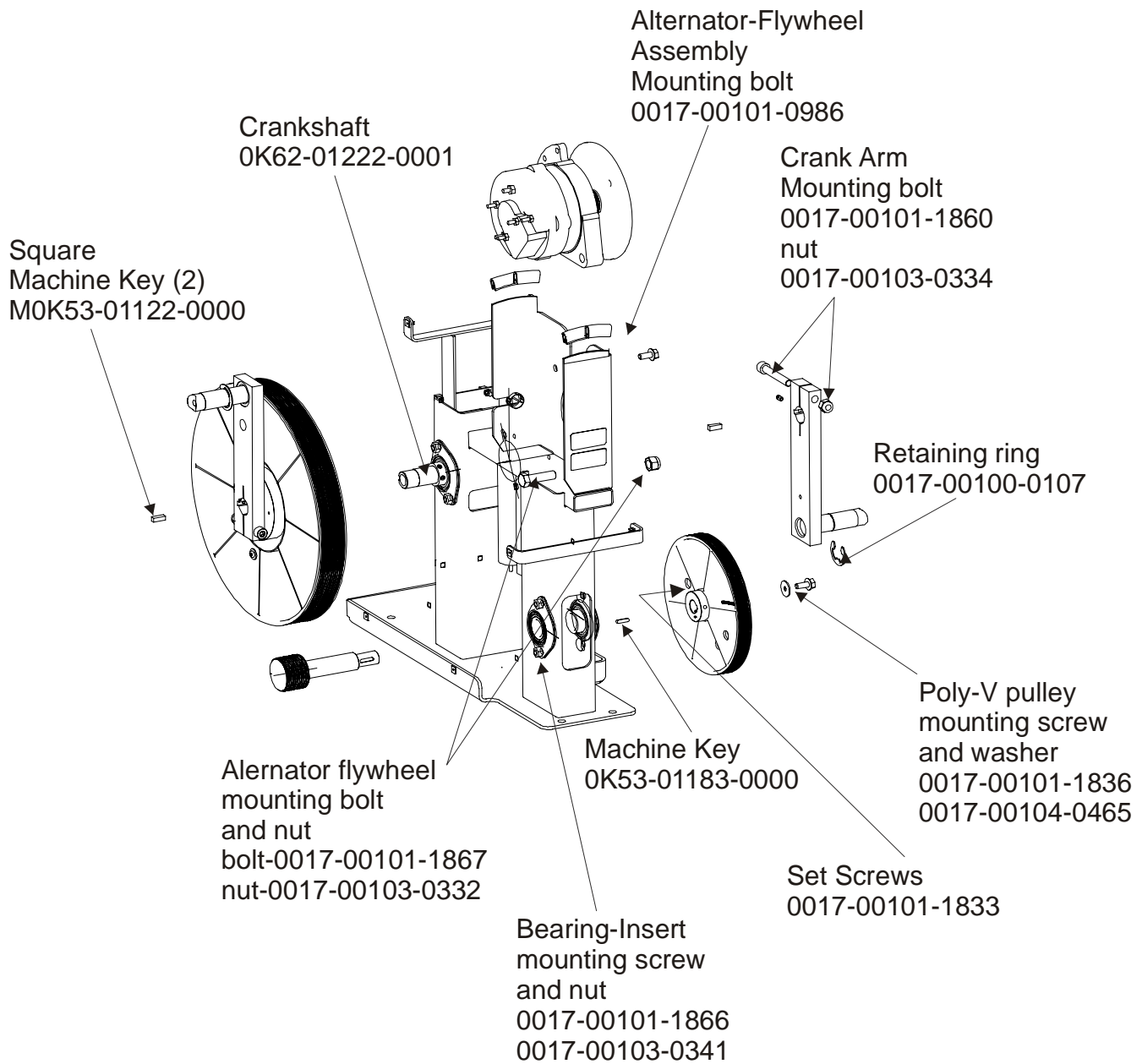
**Bearing Flanges (2)**  
**OK62-01220-0000**



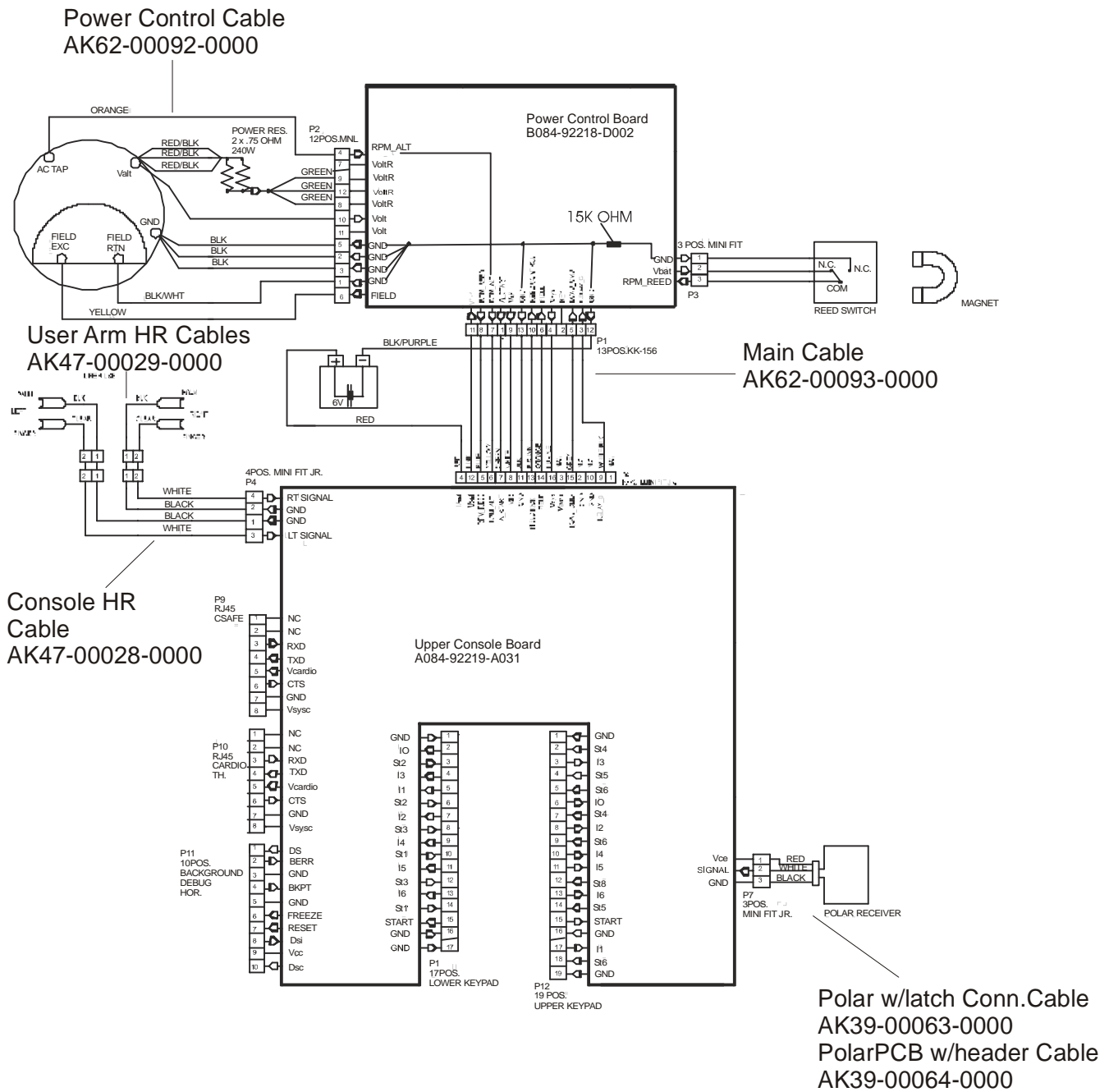
**1" Bearing**  
**OK62-01221-0000**











## Free Manuals Download Website

<http://myh66.com>

<http://usermanuals.us>

<http://www.somanuals.com>

<http://www.4manuals.cc>

<http://www.manual-lib.com>

<http://www.404manual.com>

<http://www.luxmanual.com>

<http://aubethermostatmanual.com>

Golf course search by state

<http://golfingnear.com>

Email search by domain

<http://emailbydomain.com>

Auto manuals search

<http://auto.somanuals.com>

TV manuals search

<http://tv.somanuals.com>