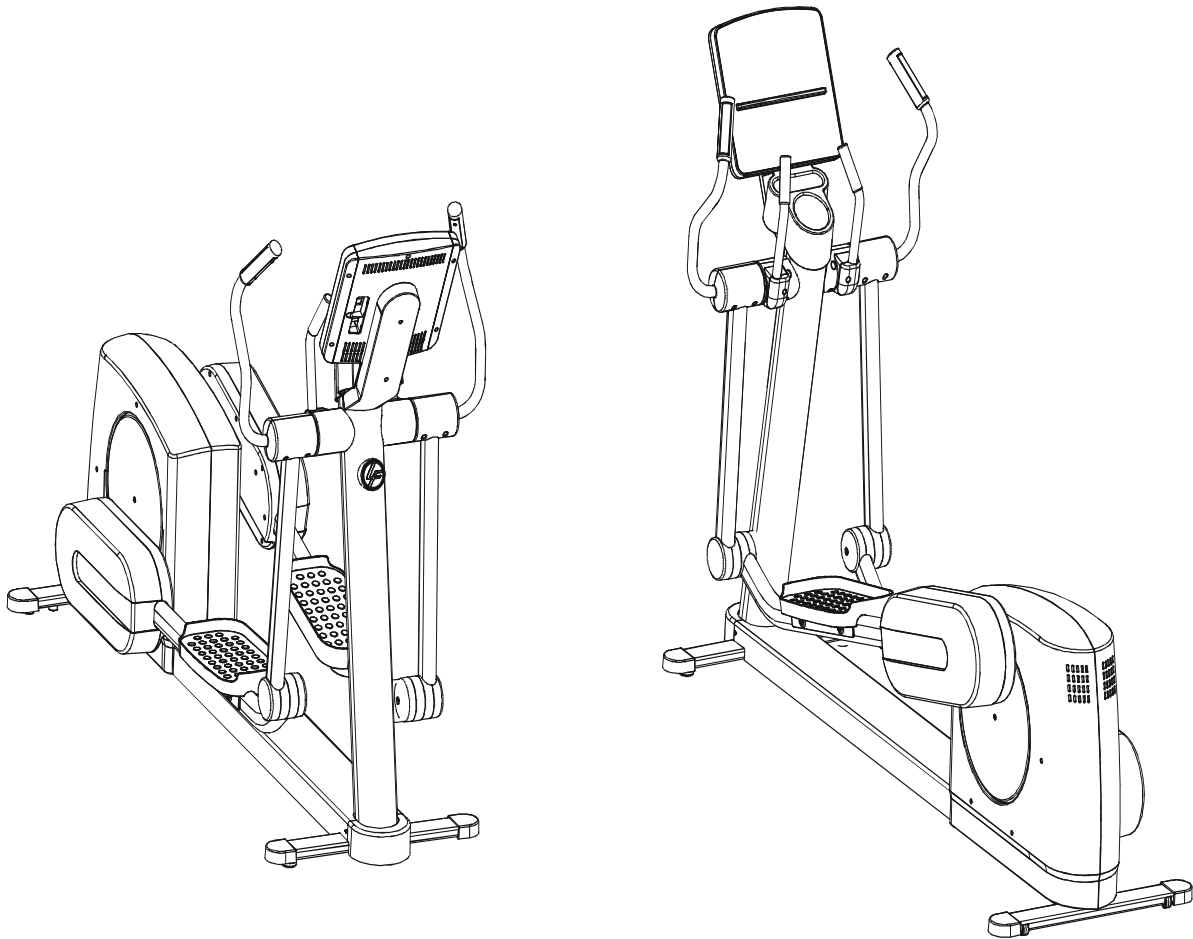


LifeFitness

ARCTIC SILVER QUIET DRIVE
CROSS-TRAINER 95Xe-0XXX-04



Customer Support Services **PARTS MANUAL** rev 30 Jul 2008

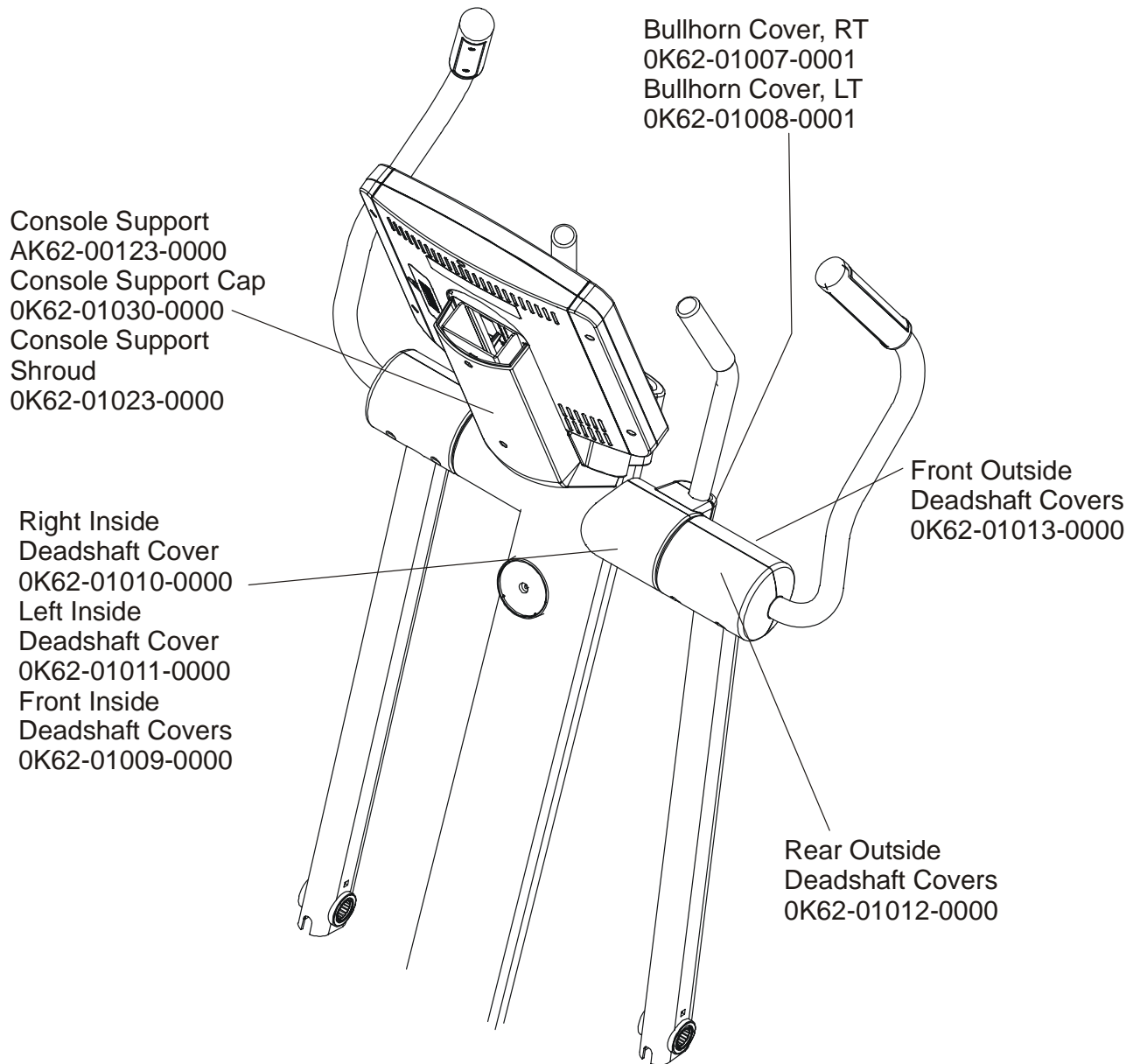
OPERATION MANUAL – (ENG)	M051-00K62-B095
OPERATION MANUAL – (F/S/P)	M051-00K62-B096
OPERATION MANUAL – (G/D/I)	M051-00K62-B097
OPERATION MANUAL – (JAP)	M051-00K62-B098
SERVICE MANUAL	M051-00K62-A149
HARDWARE BAG	AK62-00152-0001
TOUCH UP PAINT: SPRAY CAN .5 OZ BOTTLE W/APPLICATOR .33 OZ PEN	0017-00008-0204 0017-00008-0205 0017-00008-0206
ACCESS PANEL ASSEMBLY CONSISTS OF: 68" COAX CABLE DC POWER CABLE, 80" ACCESS PANEL BRACKET F TYPE PANEL CONNECTOR	AK62-00172-0000 AK32-00020-0000 AK32-00075-0004 0K62-01179-0000 0017-00021-2846
POWER SUPPLY (WALL TO UNIT)	118E-00001-0161
LINE CORD: DOM 10A 125V	0017-00003-0704
LINE CORD: CON 10A 250V	0017-00003-0691
LINE CORD: 10A UK	0017-00003-0889
LINE CORD: AUSTRALIA	0017-00003-0918

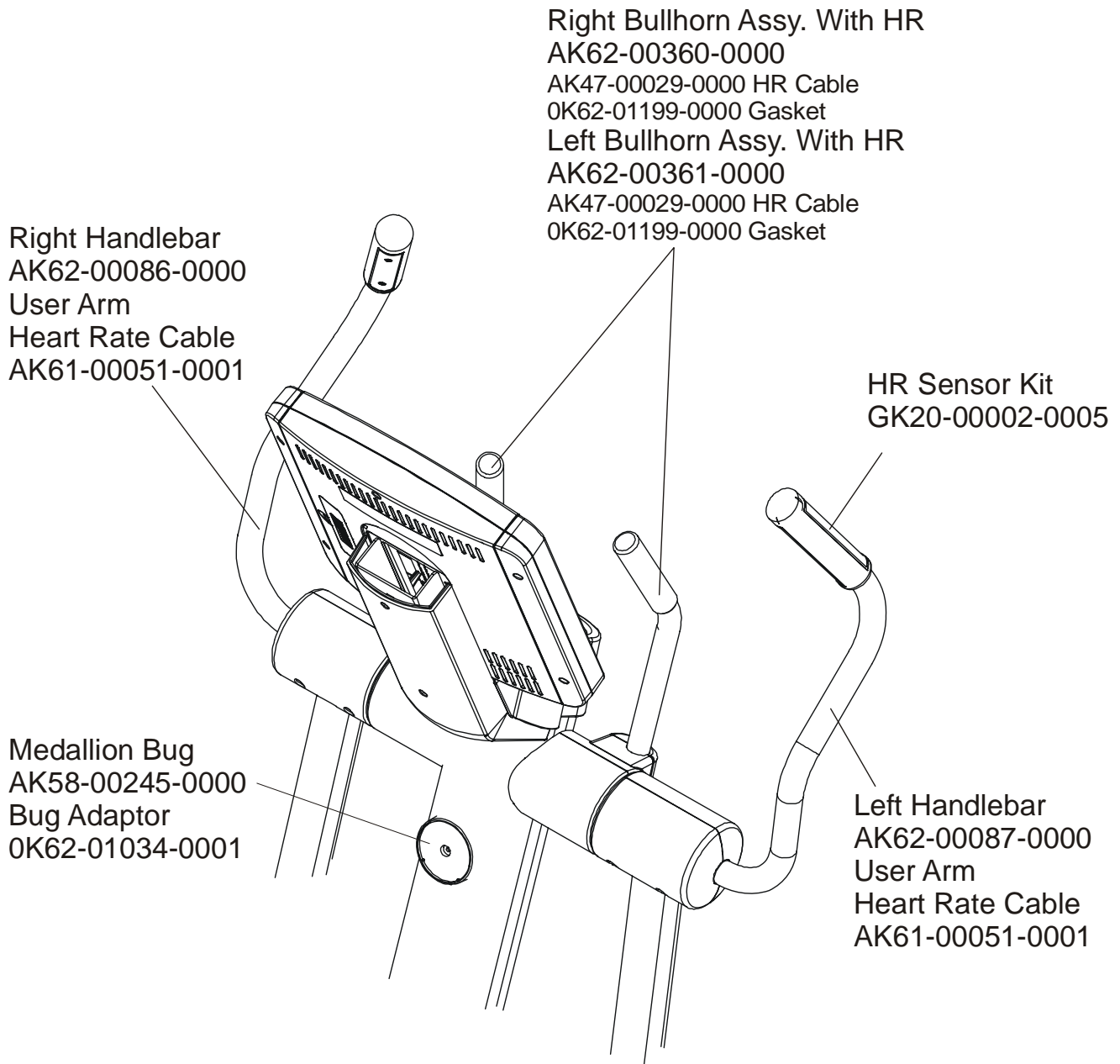
Note: The 95Xe comes with both Telemetry and LifePulse Sensors.

	Page
CONSOLE SUPPORT & DEADSHAFT COVERS	4
HANDLEBARS AND BULLHORNS	5
COMPLETE CONSOLE ASSEMBLY	6
CONSOLE COMPONENTS	7
UPPER FRAME HARDWARE	8
ROCKER ARMS AND PEDAL LEVERS	9
CRANK COVER AND LOWER CAPS	10
LOWER FRAME SHROUDS AND HARDWARE.....	11
PEDAL LEVER COMPONENTS	12
PCB, BATTERY, REED SWITCH & BRACKET	13
BEARING INSERT ASSEMBLY	14
CRANK ARM PULLEY ASSEMBLY.....	15
DRIVE MODULE.....	16
DRIVE MODULE HARDWARE	17
CABLES	18

ARCTIC SILVER QUIET DRIVE 95Xe
Console Support & Deadshaft Covers

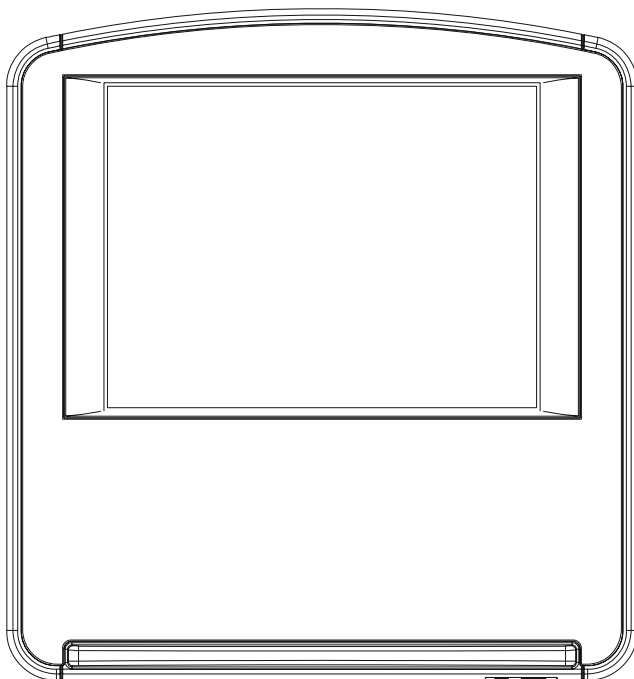
95XE-0XXX-04
S/N ALPHA CODE XWE





ARCTIC SILVER QUIET DRIVE 95XE
Complete Console Assembly

95XE-0XXX-04
S/N ALPHA CODE XWE



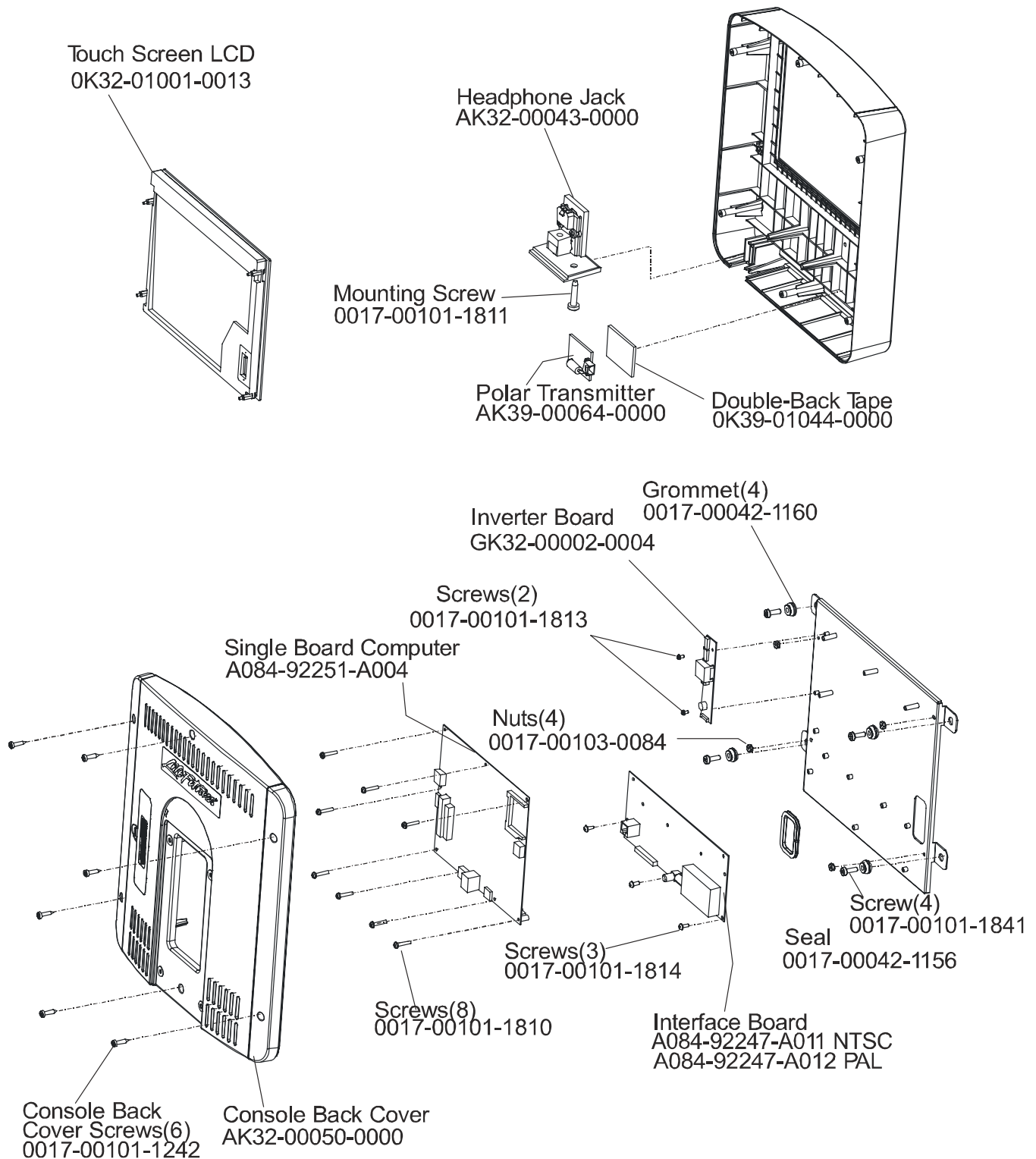
CONSOLE ASSEMBLY	
AK62-00369-0001	CONS-ASSY: MFG; NTSC; ENG
AK62-00369-0004	CONS-ASSY: MFG; NTSC; SPN
AK62-00369-0006	CONS-ASSY: MFG; NTSC; JAP
AK62-00369-0007	CONS-ASSY: MFG; NTSC; FRN
AK62-00369-0011	CONS-ASSY: MFG; NTSC; CHI/MET
AK62-00370-0001	CONS-ASSY: MFG; PAL; ENG
AK62-00370-0002	CONS-ASSY: MFG; PAL; ENG/MET
AK62-00370-0003	CONS-ASSY: MFG; PAL; GER
AK62-00370-0004	CONS-ASSY: MFG; PAL; SPN
AK62-00370-0007	CONS-ASSY: MFG; PAL; FRN
AK62-00370-0008	CONS-ASSY: MFG; PAL; ITL
AK62-00370-0009	CONS-ASSY: MFG; PAL; DUT
AK62-00370-0010	CONS-ASSY: MFG; PAL; POR
AK62-00370-0011	CONS-ASSY: MFG; PAL; CHI

ARCTIC SILVER QUIET DRIVE 95XE

Console Components

95XE-0XXX-04

S/N ALPHA CODE XWE

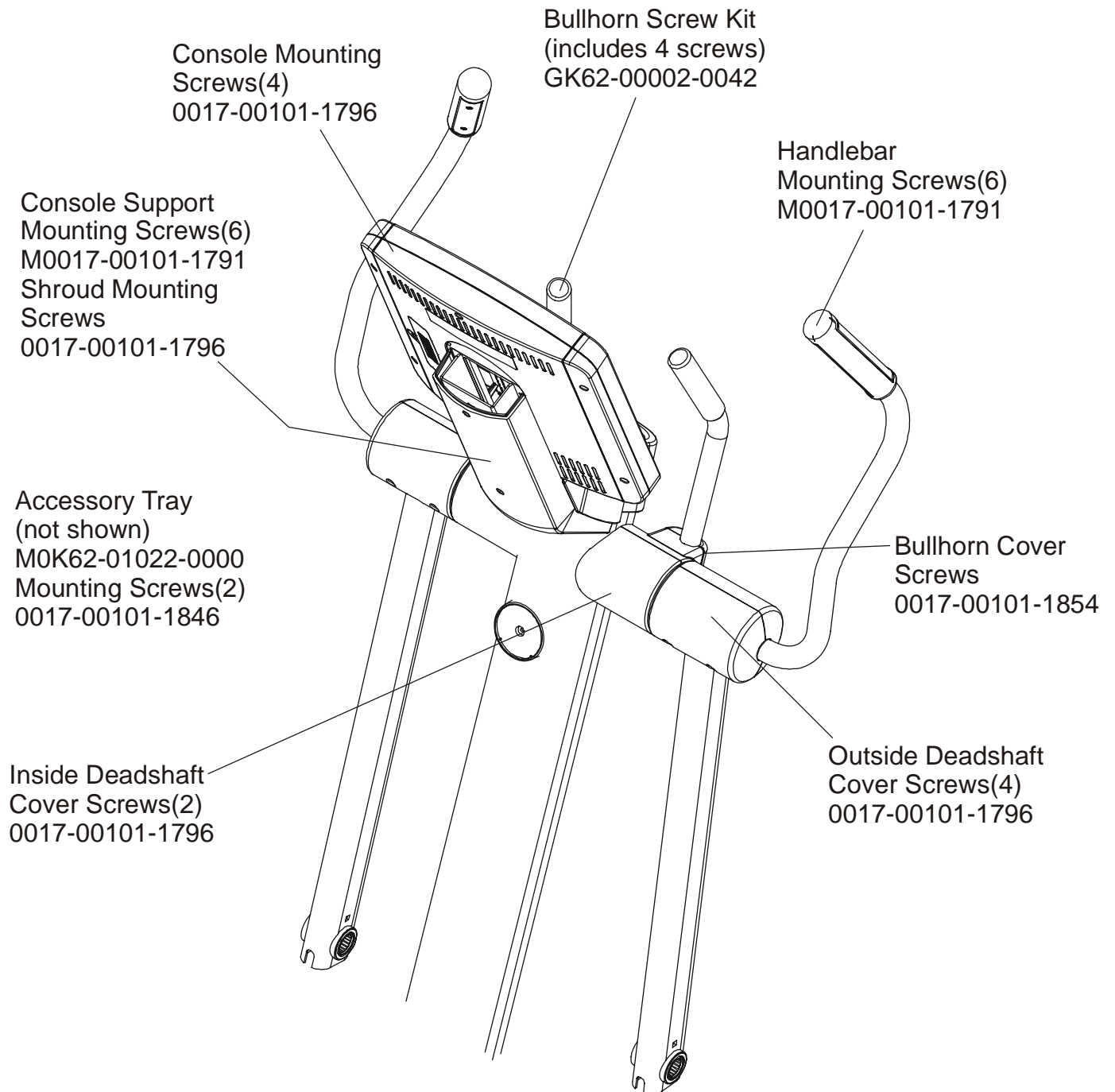


ARCTIC SILVER QUIET DRIVE 95XE

Upper Frame Hardware

95XE-0XXX-04

S/N ALPHA CODE XWE



ARCTIC SILVER QUIET DRIVE 95XE

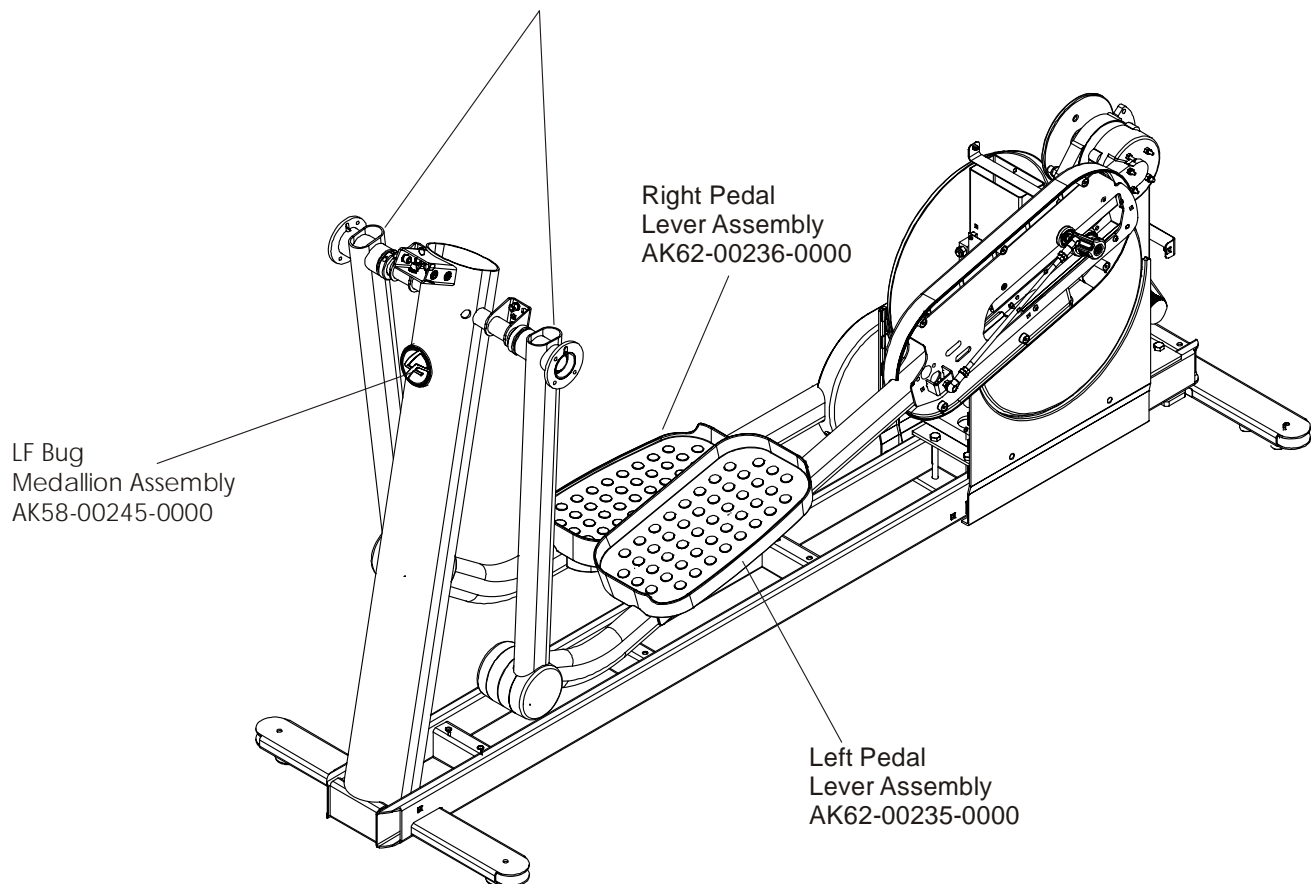
95XE-0XXX-04

Rocker Arms & Pedal Levers

S/N ALPHA CODE XWE

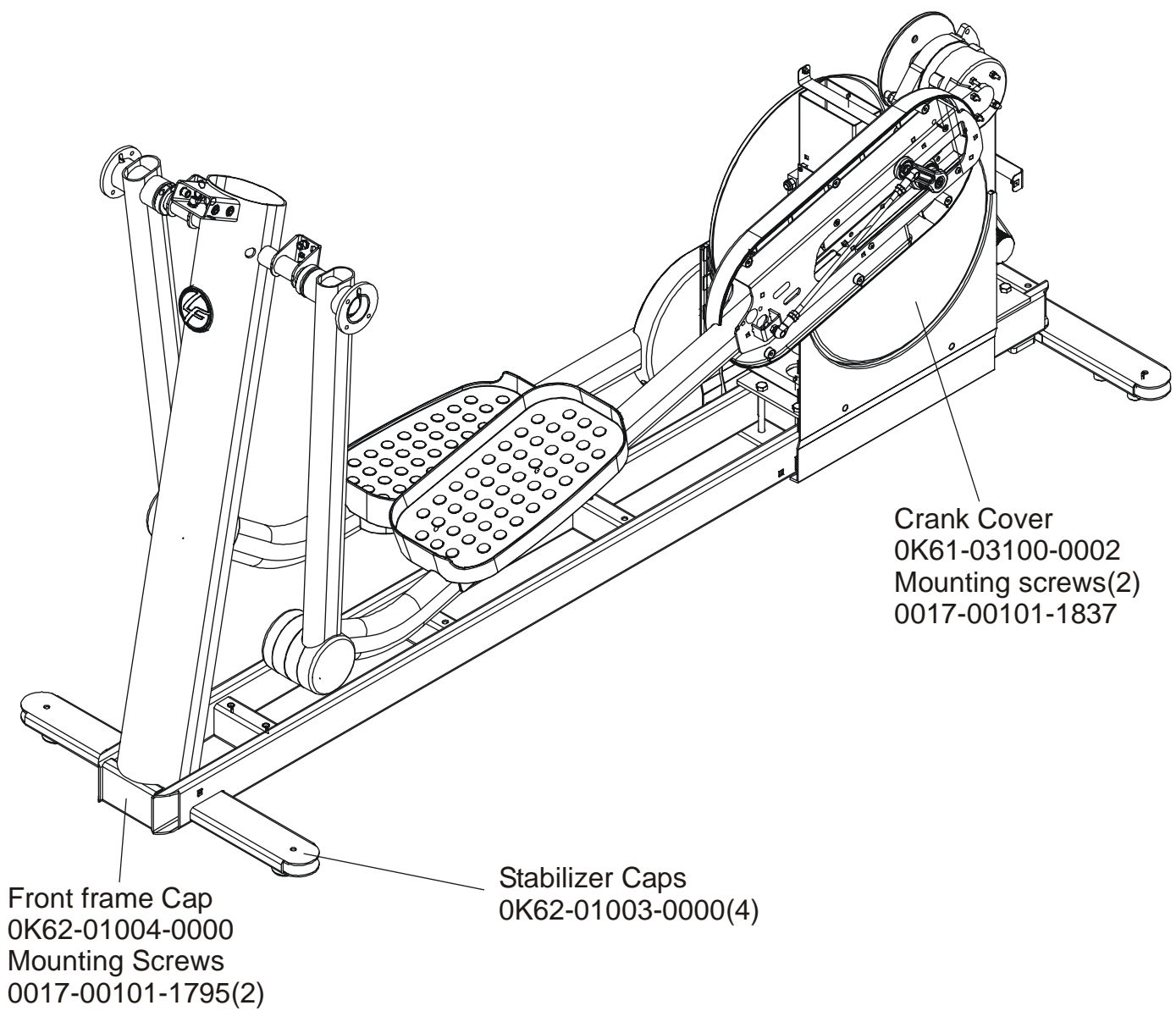
Rocker Arms Kit
GK62-00002-0070
(contains 2 rocker arms,
part no. AK62-00383-0000)

Rocker Arms (2)
AK62-00383-0000
Shaft Collar w/Screws
OK61-01259-0000
Retaining Ring
0017-00100-0178
Metal Thrust Washer
OK62-01307-0000
Oillite Washer
OK62-01305-0000



ARCTIC SILVER QUIET DRIVE 95XE
Crank Cover and Lower Caps

95XE-0XXX-04
S/N ALPHA CODE XWE

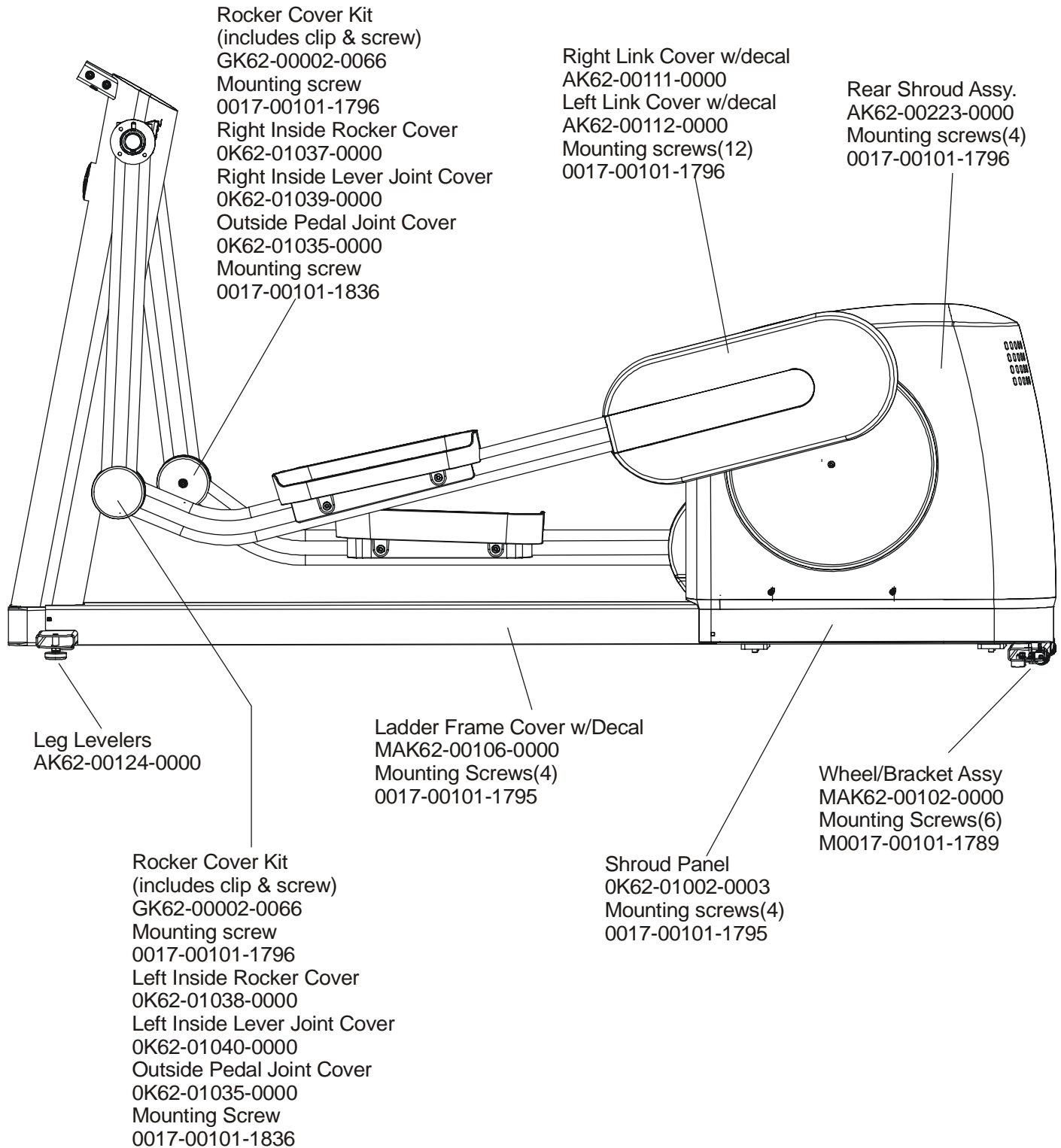


ARCTIC SILVER QUIET DRIVE 95XE

Lower Frame Shrouds & Hardware

95XE-0XXX-04

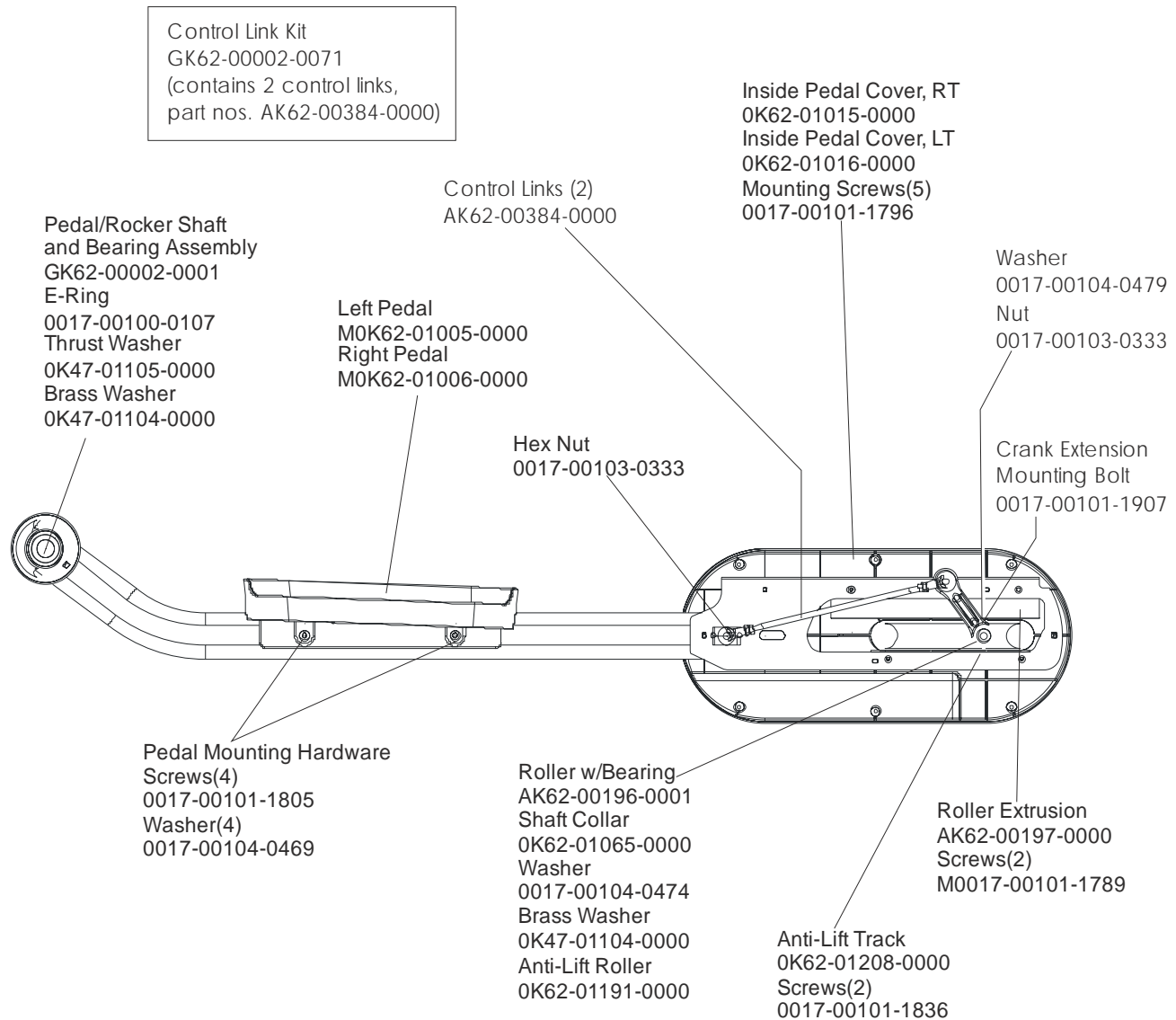
S/N ALPHA CODE XWE



ARCTIC SILVER QUIET DRIVE 95XE

Pedal Lever Assembly Components

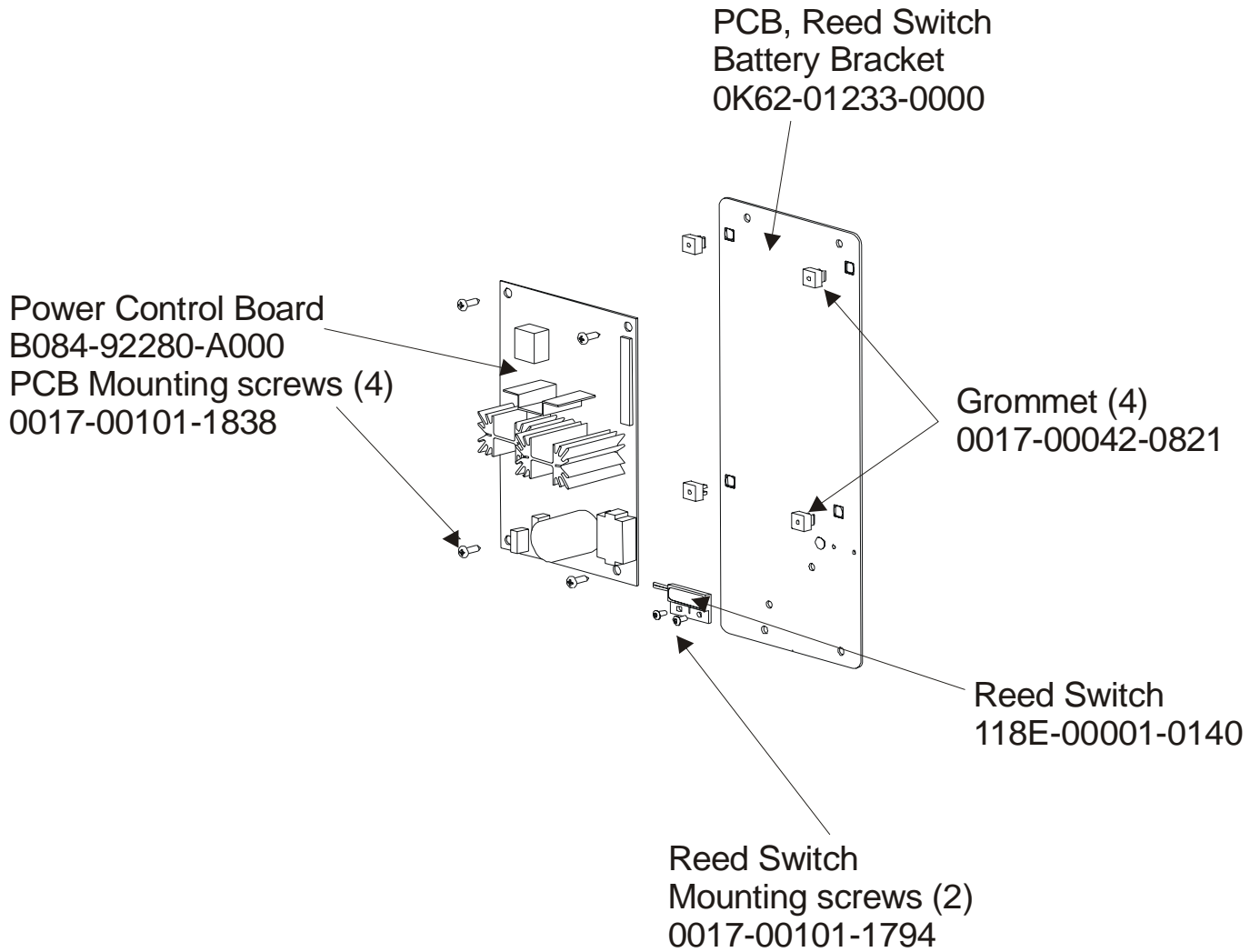
95XE-0XXX-04
S/N ALPHA CODE XWE



Note: Units with old control link assemblies will require kit MGK62-00002-0015 when replacing either the tie rod assembly or the crank extension for the first time.

ARCTIC SILVER QUIET DRIVE 95XE
PCB, Battery, Reed Switch & Bracket

95XE-0XXX-04
S/N ALPHA CODE XWE

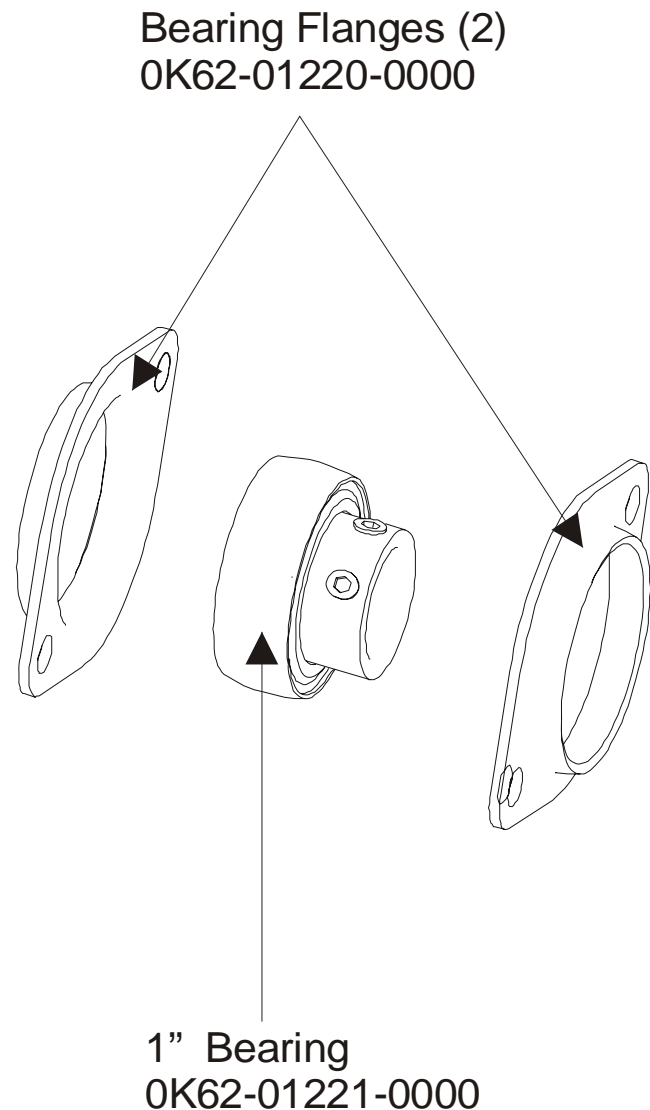


Service Kit-
GK62-00002-0044
Includes:

- 1- crankshaft
- 2- bearings
- 2- sets of bearing flanges
- 4- nuts and washers

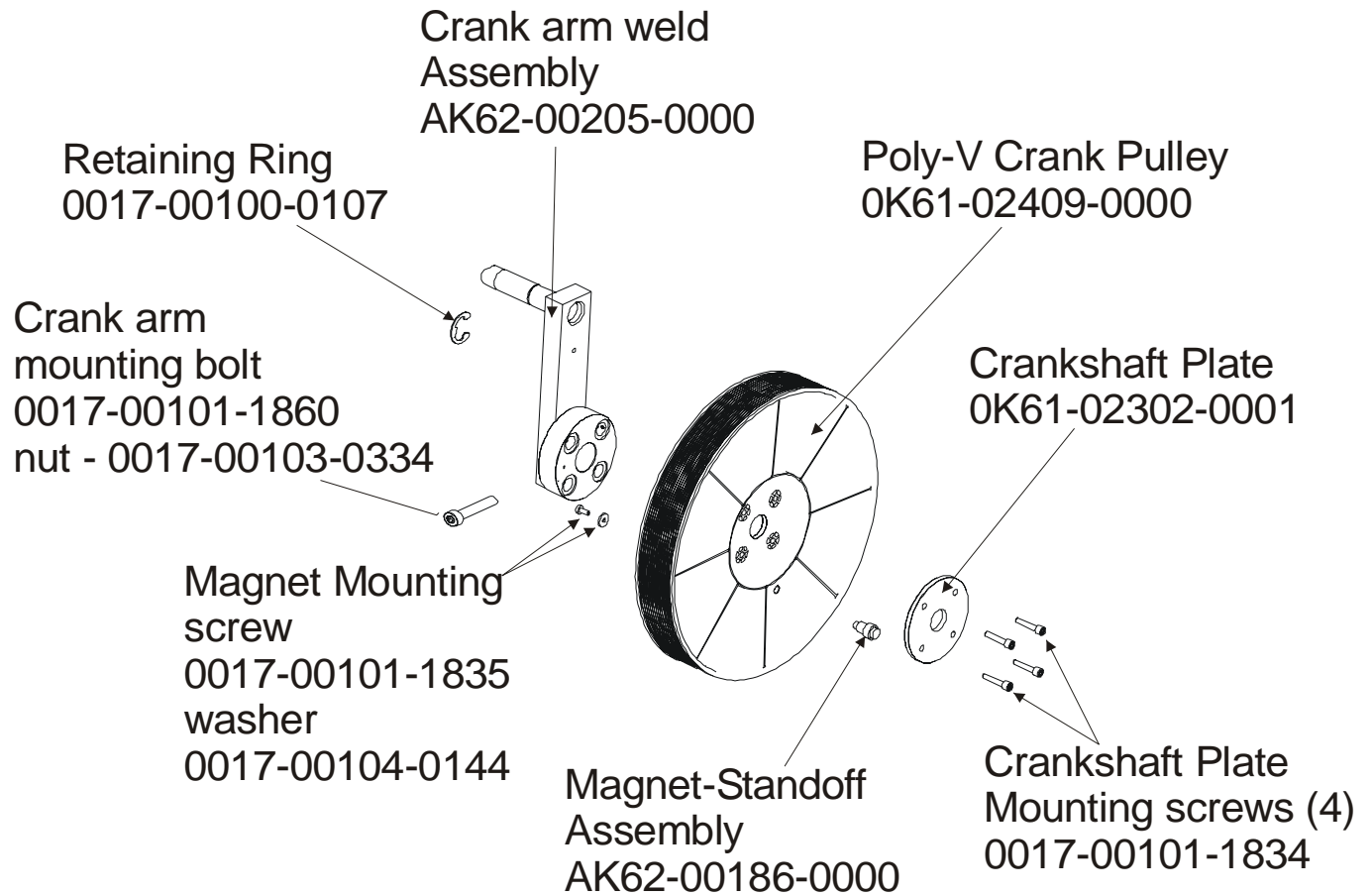
Service Kit- GK62-00002-0045
Includes:

- 1 - intermediate shaft
- 2 - bearings
- 2- sets of bearing flanges
- 4- nuts and washers



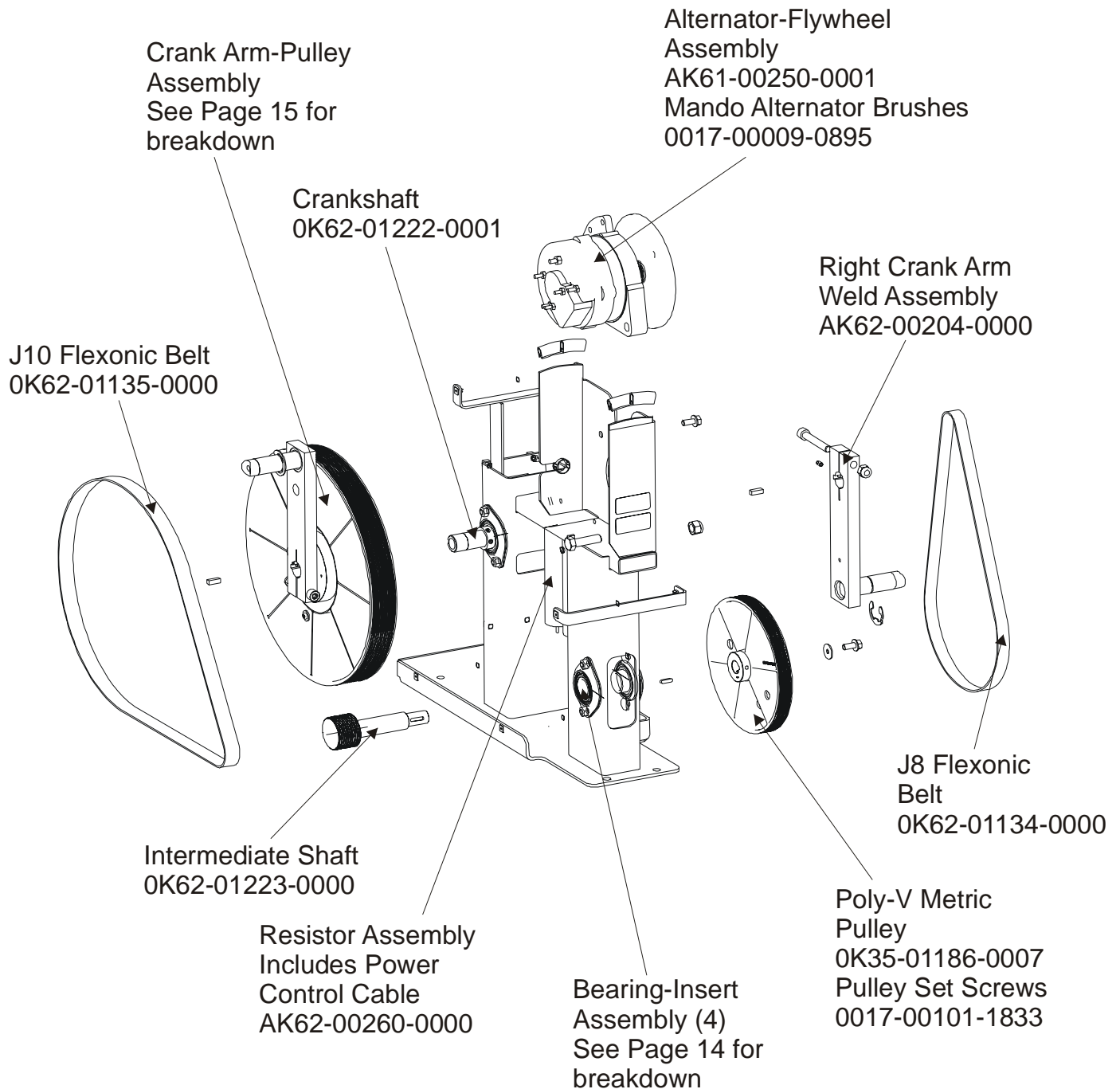
ARCTIC SILVER QUIET DRIVE 95XE
Crank Arm Pulley Assembly

95XE-0XXX-04
S/N ALPHA CODE XWE



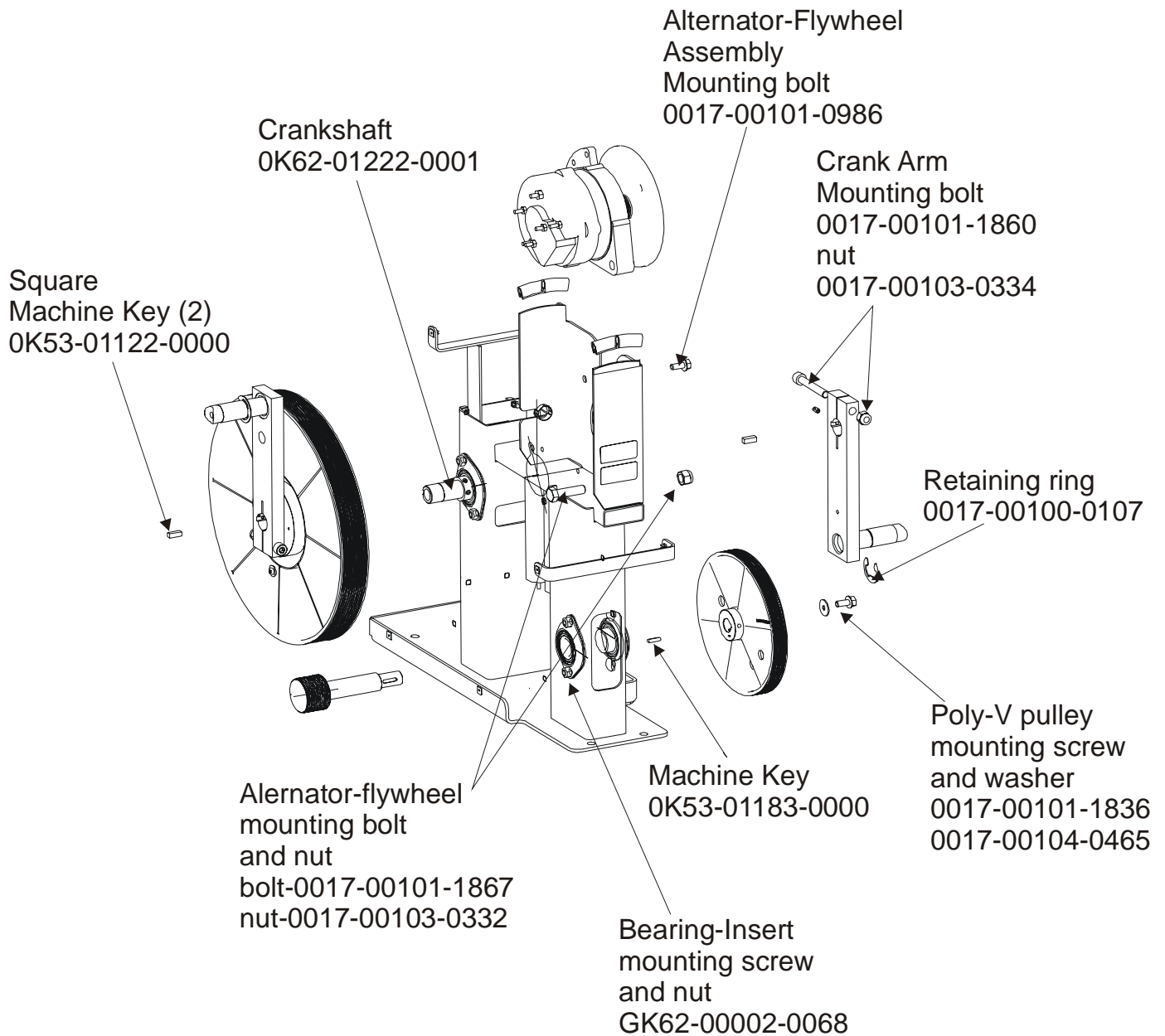
ARCTIC SILVER QUIET DRIVE 95XE
Drive Module

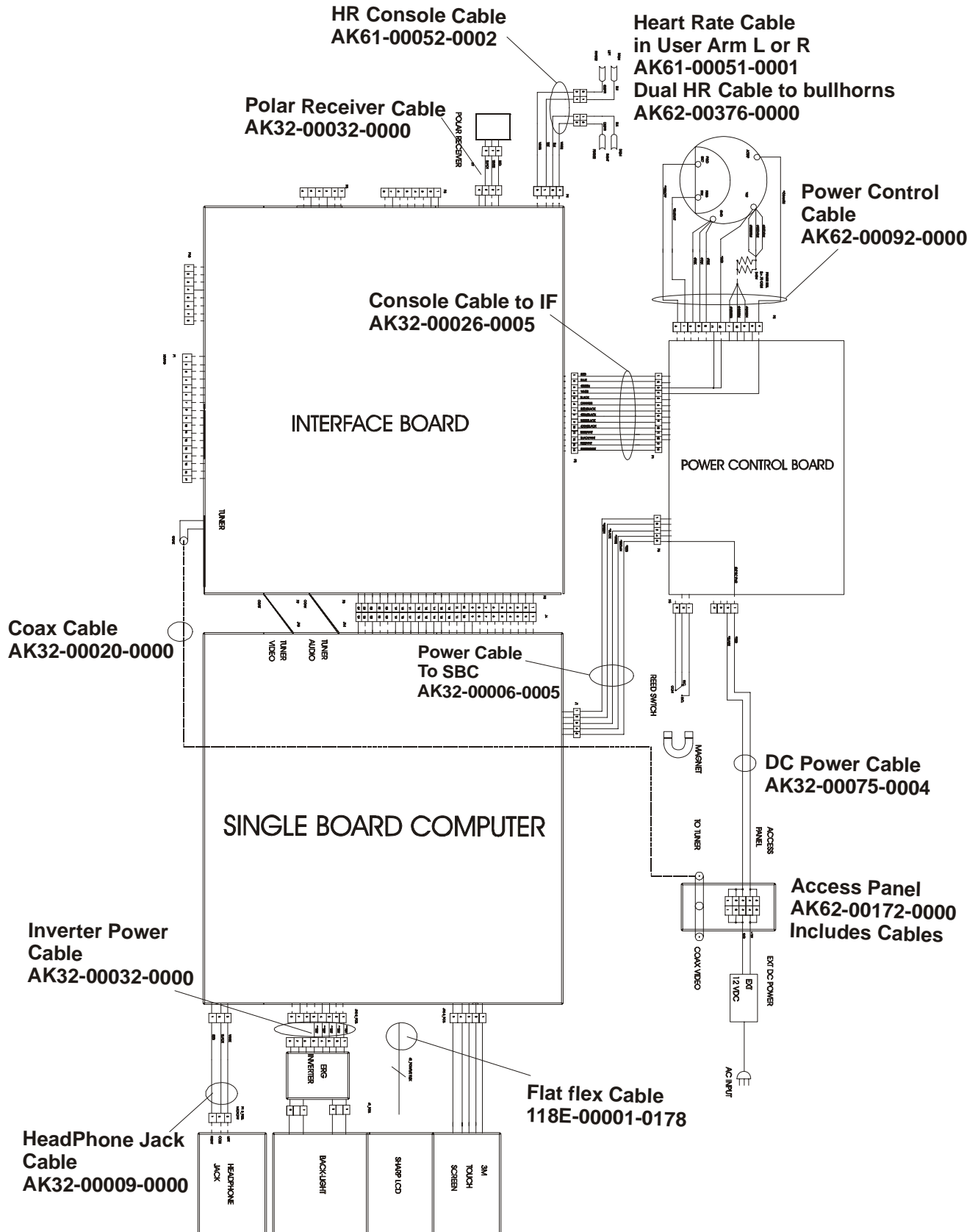
95XE-0XXX-04
S/N ALPHA CODE XWE



ARCTIC SILVER QUIET DRIVE 95XE
Drive Module Hardware

95XE-0XXX-04
S/N ALPHA CODE XWE





Free Manuals Download Website

<http://myh66.com>

<http://usermanuals.us>

<http://www.somanuals.com>

<http://www.4manuals.cc>

<http://www.manual-lib.com>

<http://www.404manual.com>

<http://www.luxmanual.com>

<http://aubethermostatmanual.com>

Golf course search by state

<http://golfingnear.com>

Email search by domain

<http://emailbydomain.com>

Auto manuals search

<http://auto.somanuals.com>

TV manuals search

<http://tv.somanuals.com>