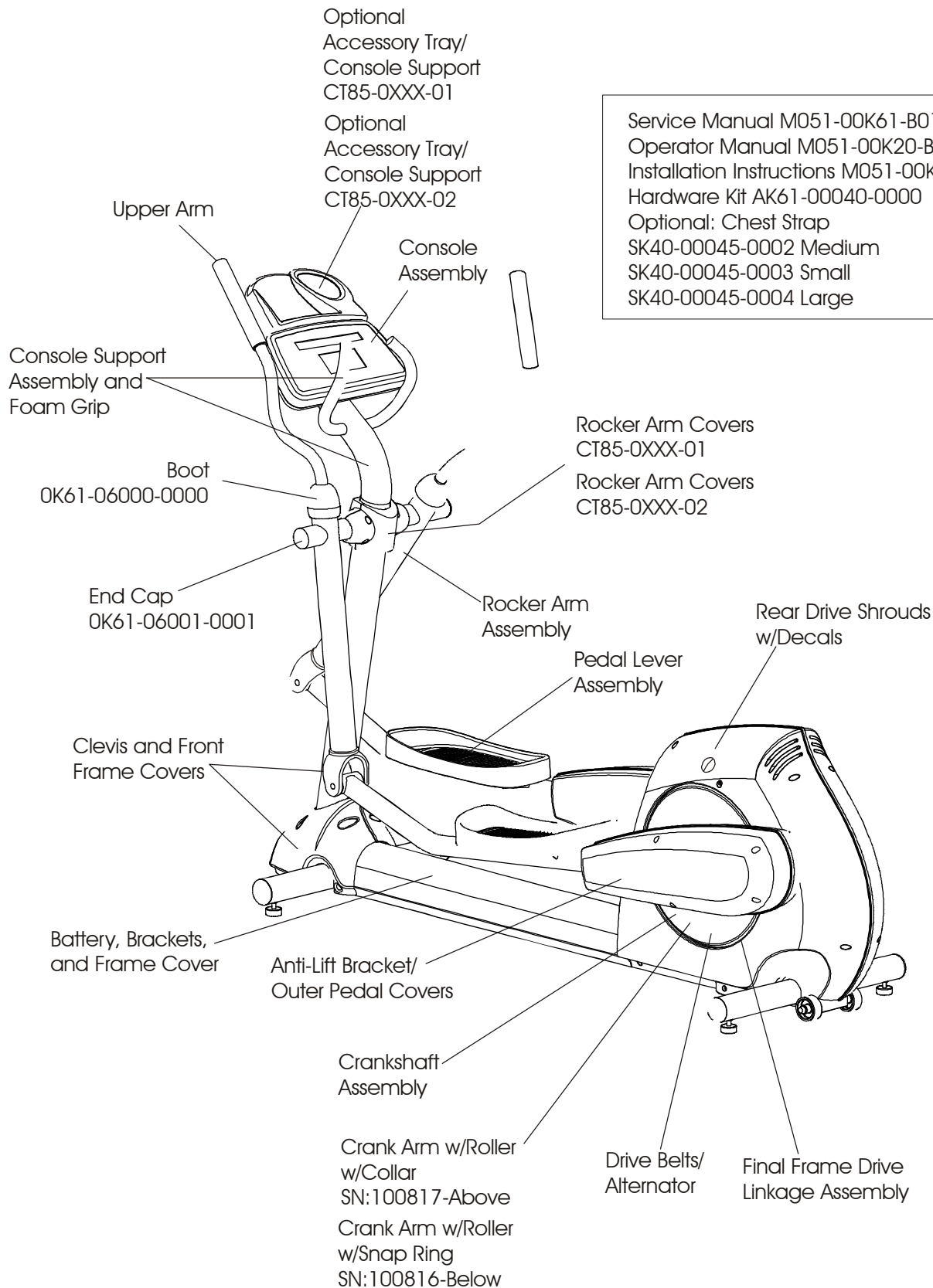


CT8500 Cross-Trainer
General Assembly

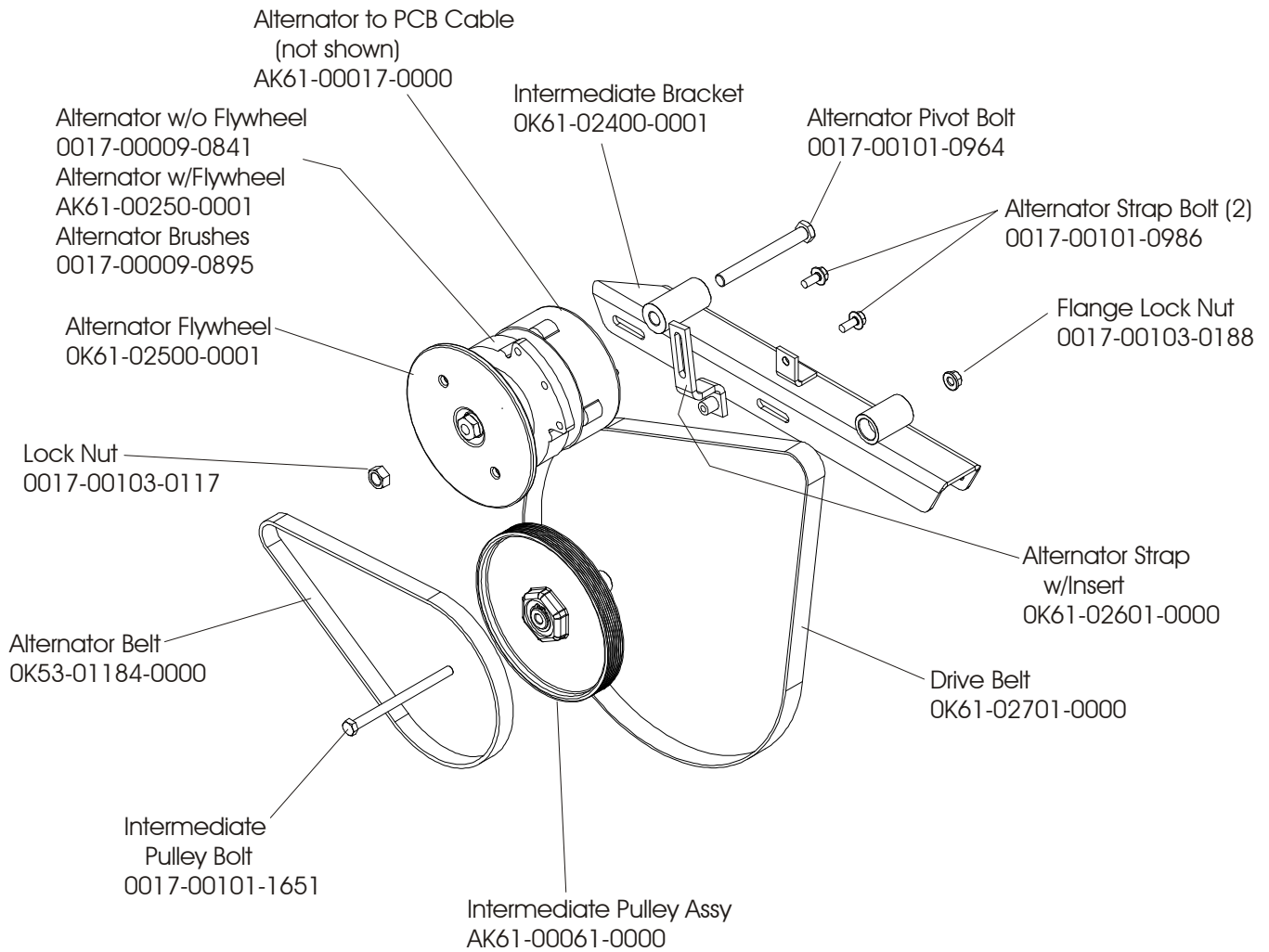
CT85-0XXX-01 w/O Polar HR, S/N 100000 & up
CT85-0XXX-02 w/Polar HR, S/N 100214 & up



Service Manual M051-00K61-B014
 Operator Manual M051-00K20-B190
 Installation Instructions M051-00K20-B167
 Hardware Kit AK61-00040-0000
 Optional: Chest Strap
 SK40-00045-0002 Medium
 SK40-00045-0003 Small
 SK40-00045-0004 Large

CT8500 Cross-Trainer
Drive Belts and Alternator

CT85-0XXX-01 w/O Polar HR, S/N 10000 & up
CT85-0XXX-02 w/Polar HR, S/N 100214 & up

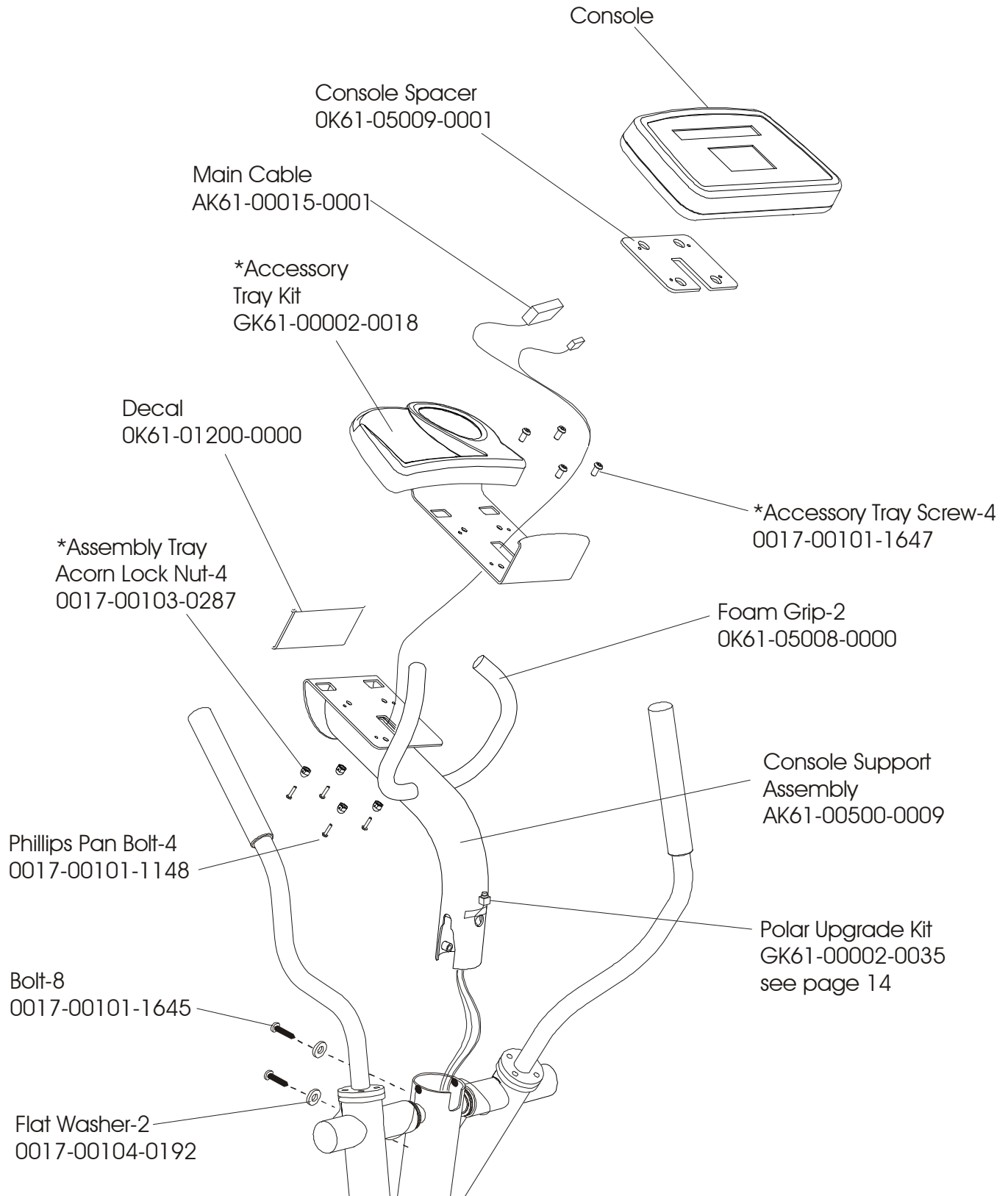


CT8500 Cross-Trainer

CT85-0XXX-01 w/O Polar HR, S/N 10000 & up

CT85-0XXX-02 w/Polar HR, S/N 100214 & up

Console Support Assembly For CT85-0XXX-01 *Optional

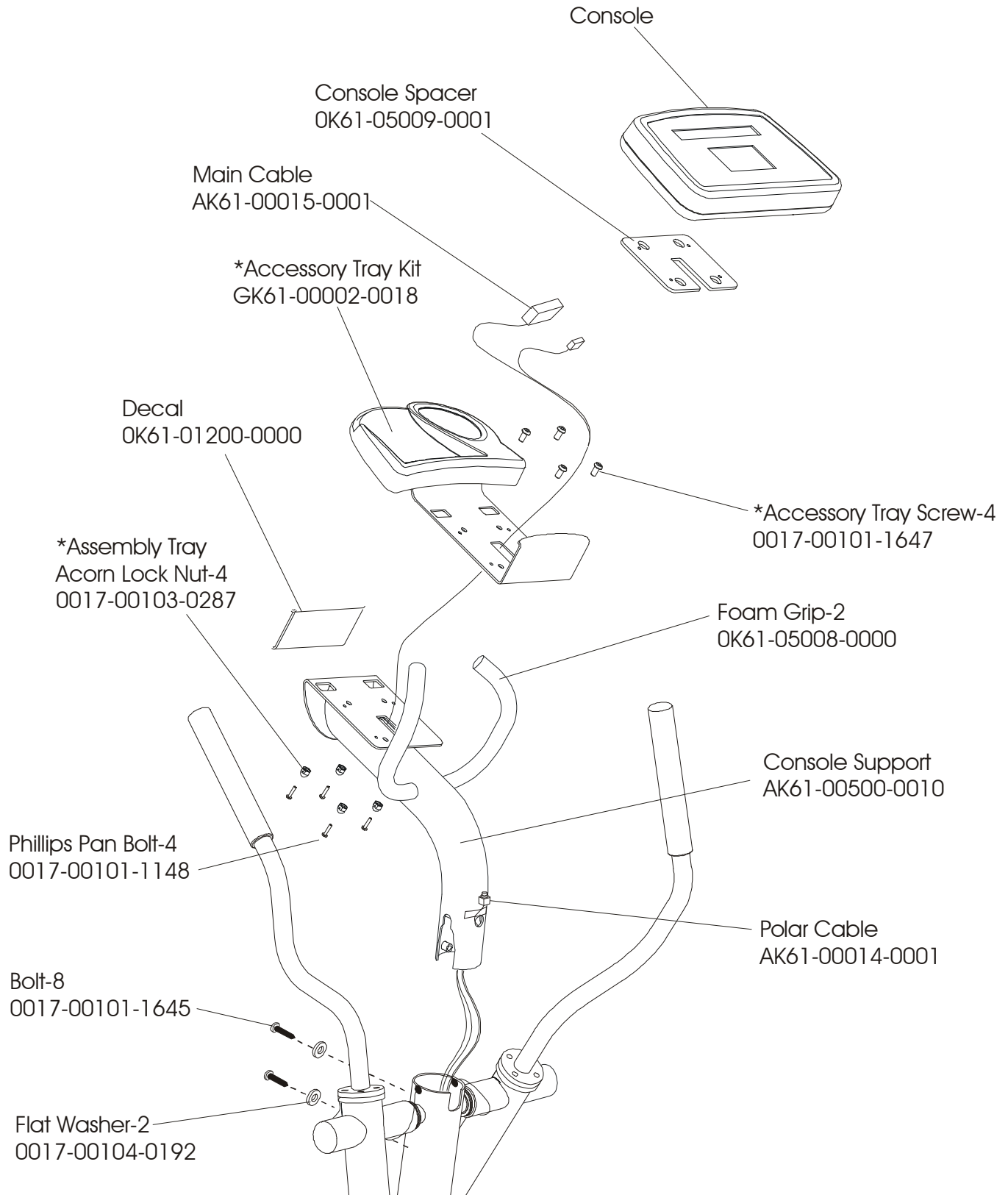


CT8500 Cross-Trainer

CT85-0XXX-01 w/O Polar HR, S/N 10000 & up

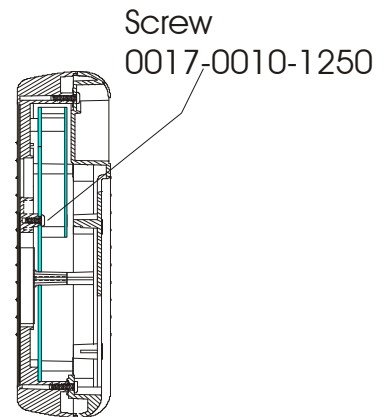
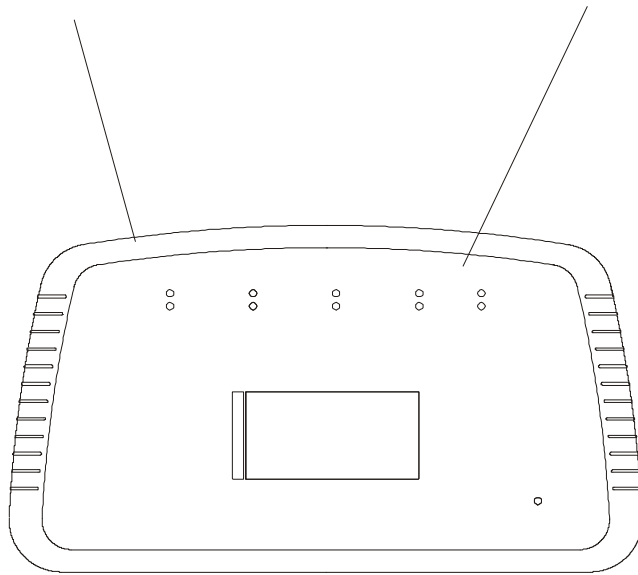
CT85-0XXX-02 w/Polar HR, S/N 100214 & up

Console Support Assembly For CT85-0XXX-02 *Optional



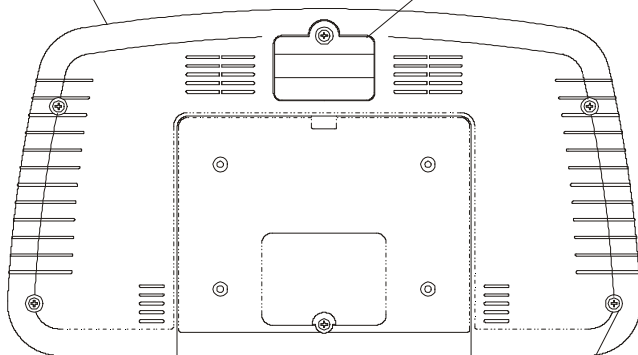
Console Assembly

	Console Assembly	Overlay Bezel
	AK61-00026-0001R Eng/Met	AK61-00025-0001 Eng/Met
-02 version only	AK61-00026-0003 Ger/Eur	AK61-00025-0003 Ger/Eur
	AK61-00026-0007 Frn/Eur	AK61-00025-0007 Frn/Eur (NLA)
	AK61-00026-0008 Itl/Eur	AK61-00025-0008 Itl/Eur (NLA)
	AK61-00026-0009 Dut/Eur	AK61-00025-0009 Dut/Eur (NLA)



Console Case (Black)
OK36-01187-0006

Battery Cover
OK36-01035-0006



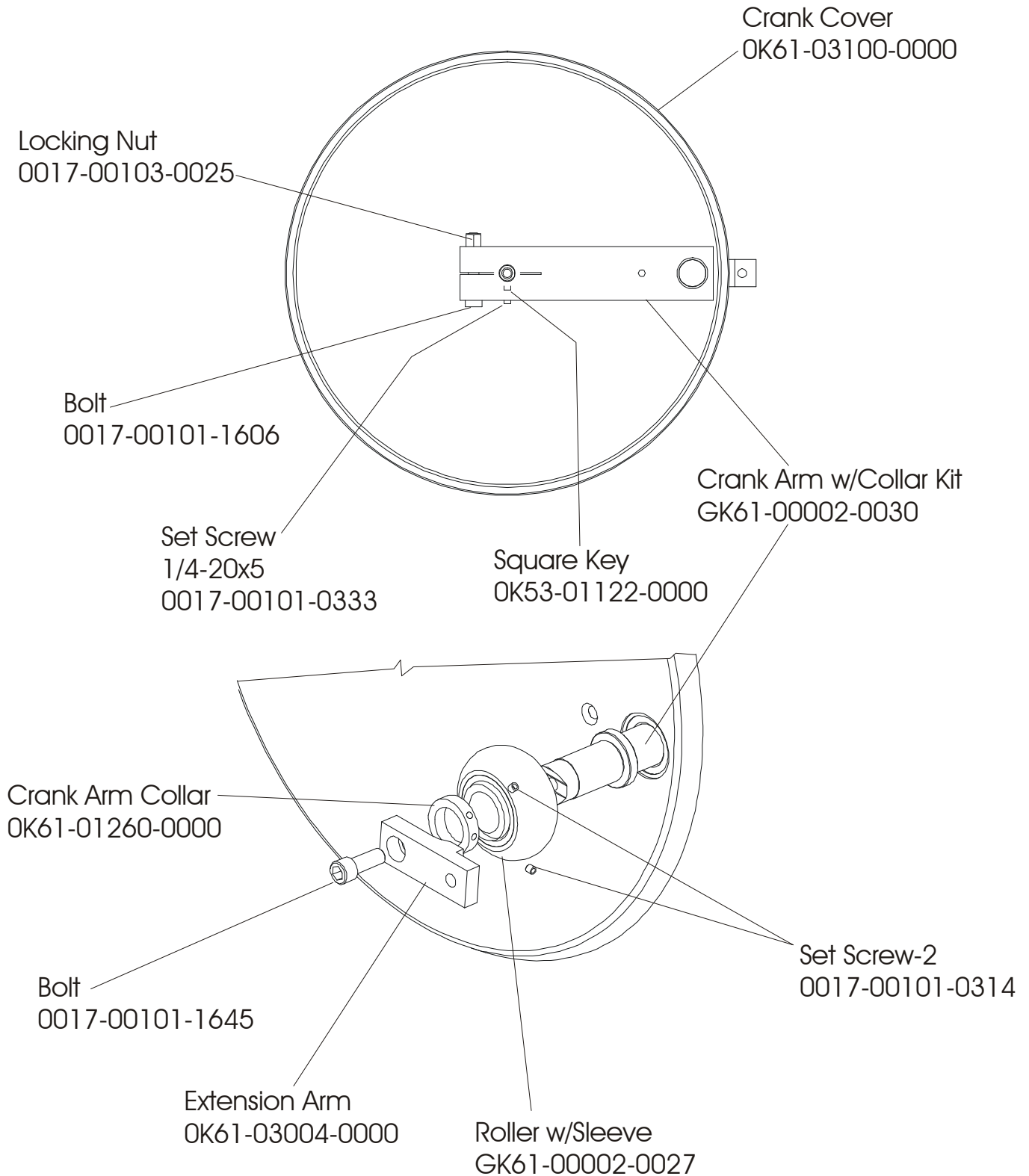
Screw
0017-00101-0823

CT8500 Cross-Trainer

CT85-0XXX-01 w/O Polar HR, S/N 100000 & up

CT85-0XXX-02 w/Polar HR, S/N 100214 & up

Crank Arm w/Roller Assembly S/N 100817 & up

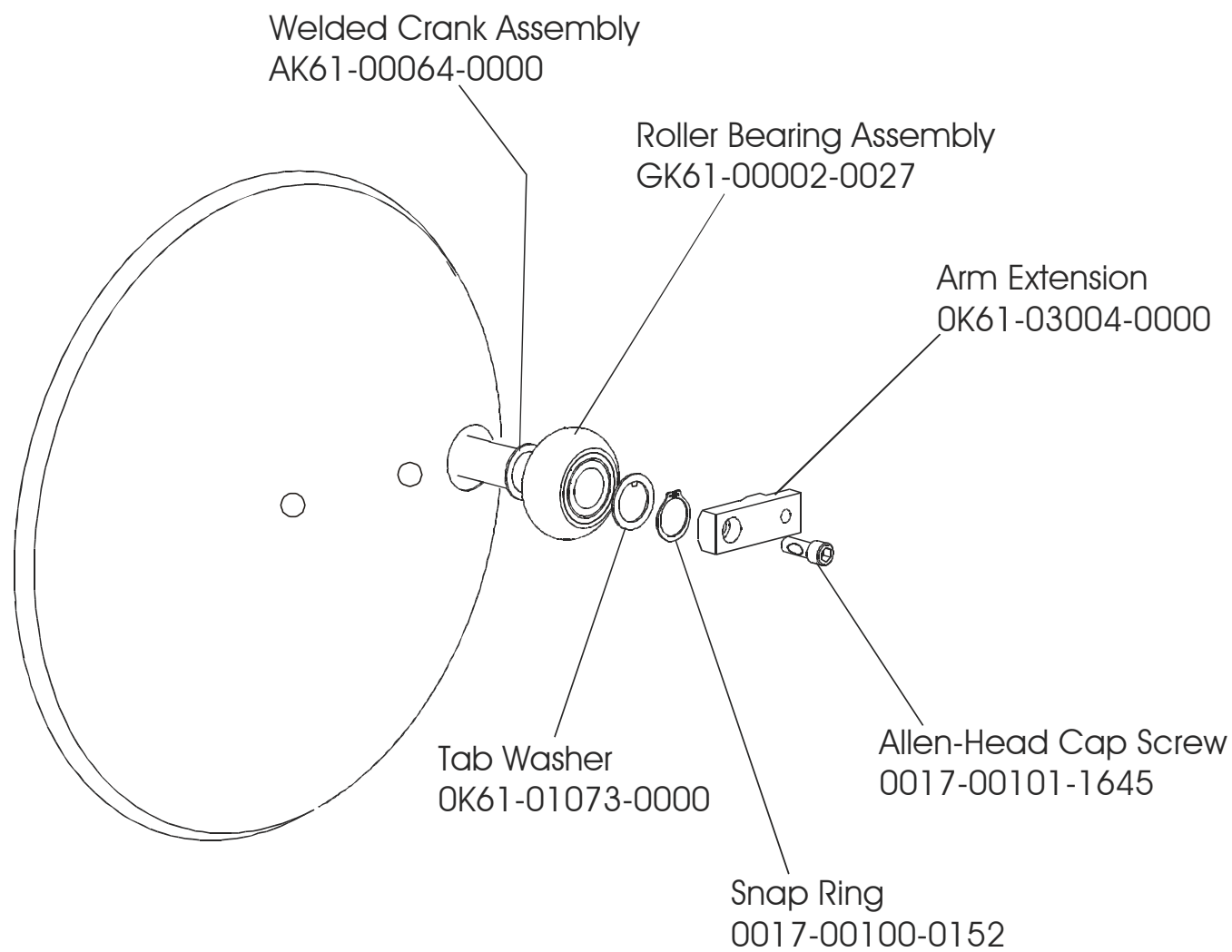


CT8500 Cross-Trainer

CT85-0XXX-01 W/O Polar HR, S/N 100000 & up

CT85-0XXX-02 W/Polar HR, S/N 100214 & up

Crank Arm w/Roller Assembly S/N 100816-Below

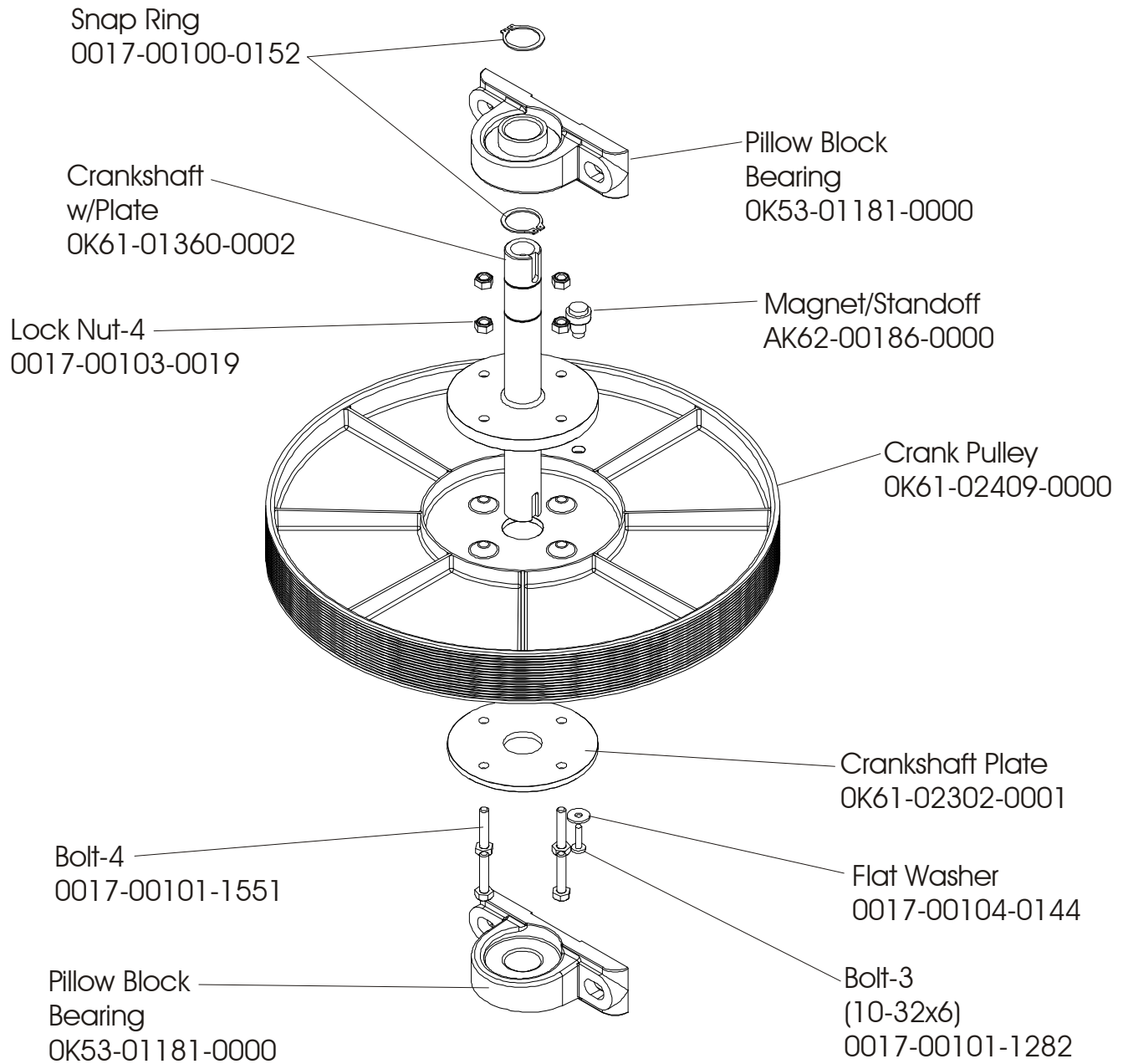


CT8500 Cross-Trainer

CT85-0XXX-01 W/O Polar HR, S/N 100000 & up

CT85-0XXX-02 W/Polar HR, S/N 100214 & up

Crankshaft Assembly AK61-00157-0002

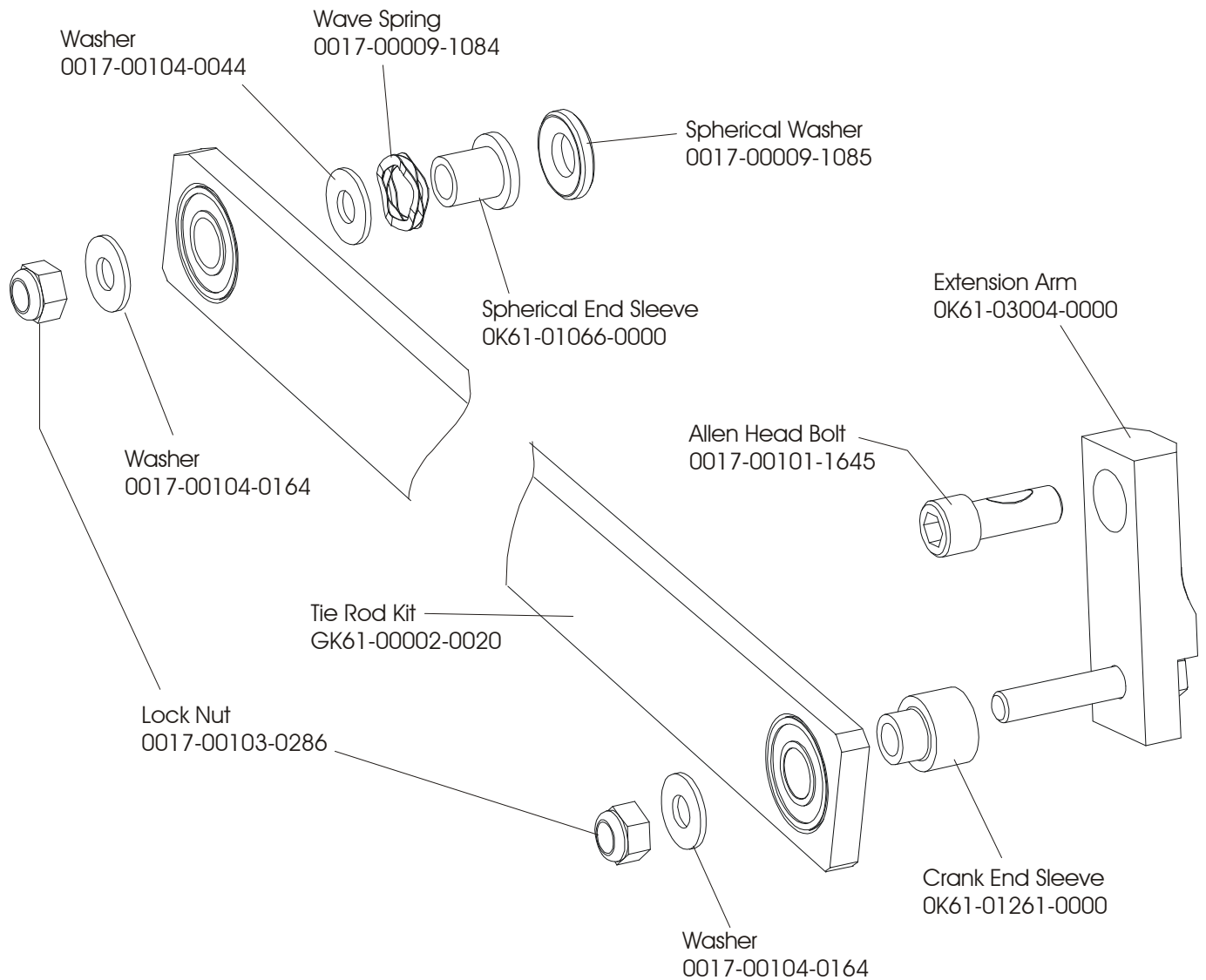


CT8500 Cross-Trainer

CT85-0XXX-01 W/O Polar HR, S/N 100000 & up

CT85-0XXX-02 W/Polar HR, S/N 100214 & up

Final Frame Drive Linkage Assembly

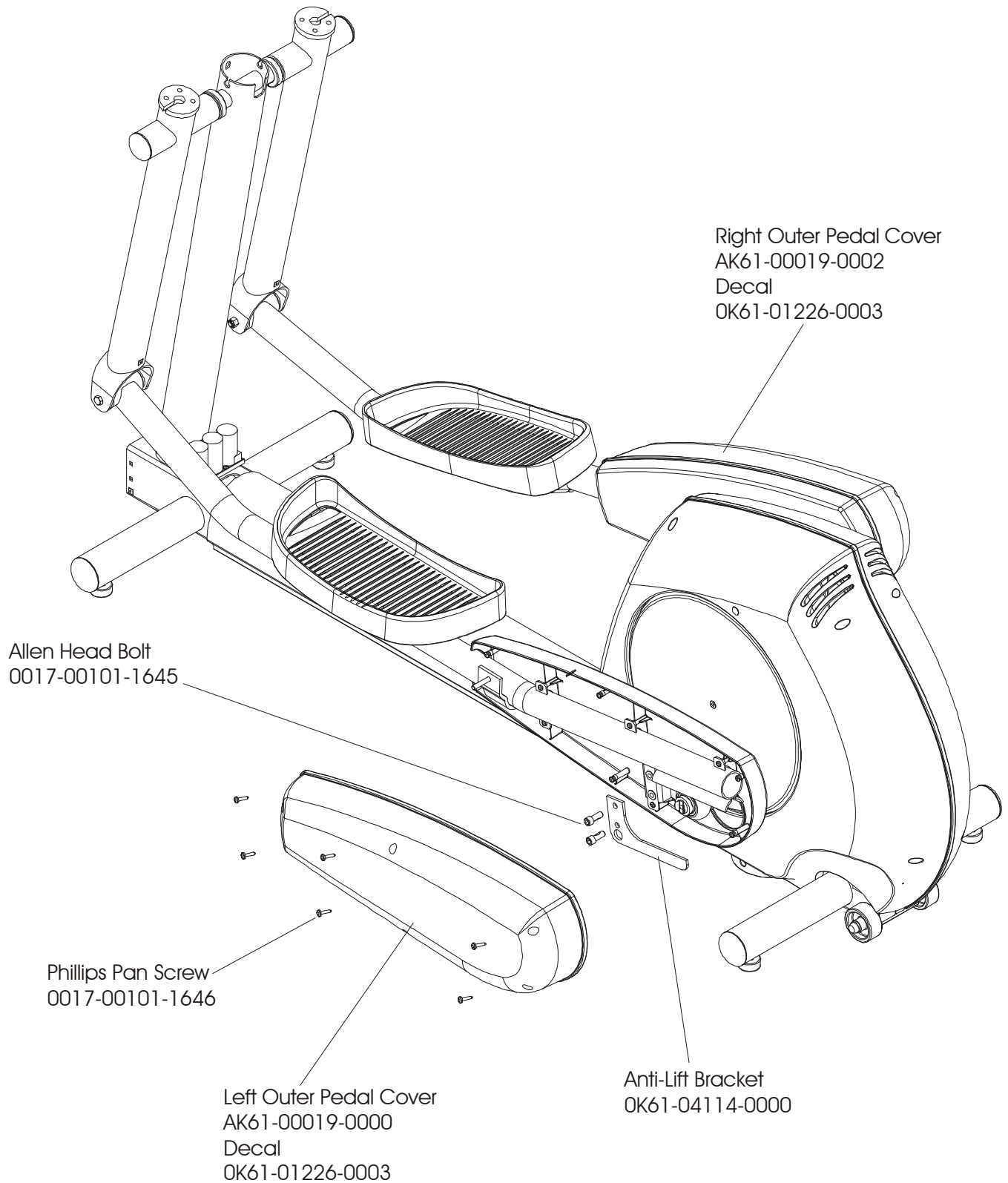


CT8500 Cross-Trainer

CT85-0XXX-01 W/O Polar HR, S/N 100000 & up

CT85-0XXX-02 W/Polar HR, S/N 100214 & up

Anti-Lift Bracket and Outer Pedal Covers

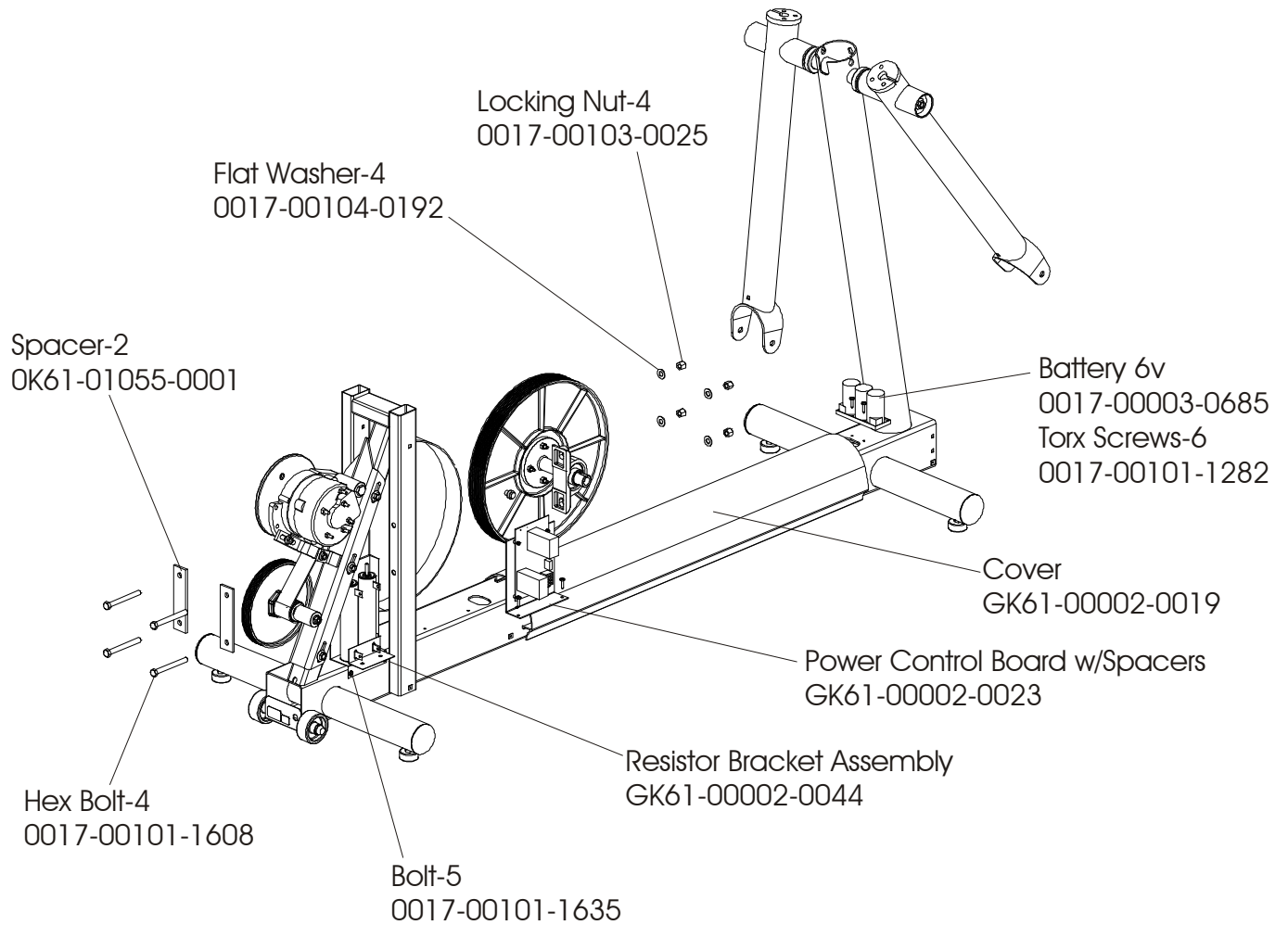


CT8500 Cross-Trainer

CT85-0XXX-01 W/O Polar HR, S/N 10000 & up

CT85-0XXX-02 W/Polar HR, S/N 100214 & up

Battery, Brackets, and Frame Cover

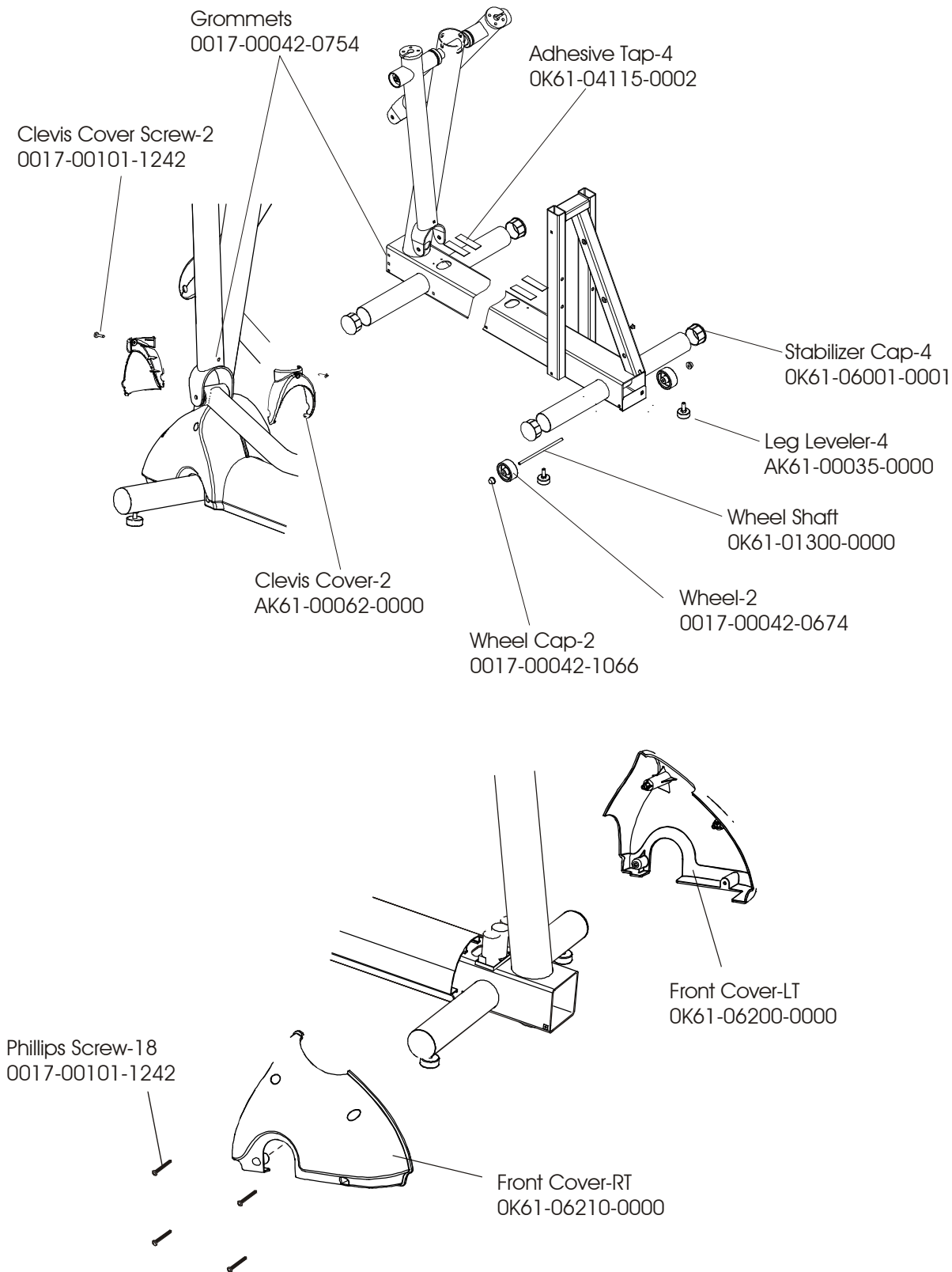


CT8500 Cross-Trainer

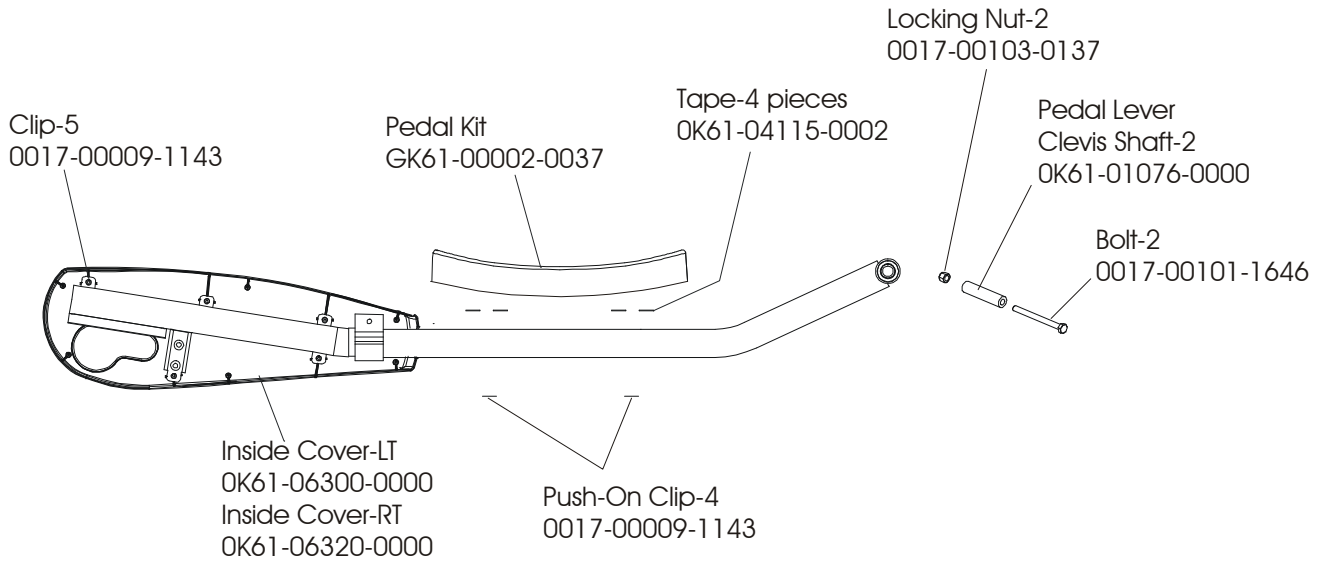
CT85-0XXX-01 W/O Polar HR, S/N 10000 & up

CT85-0XXX-02 W/Polar HR, S/N 100214 & up

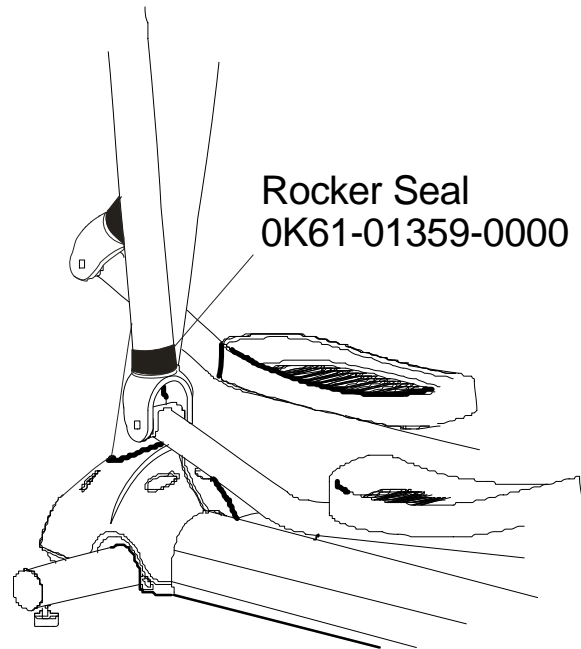
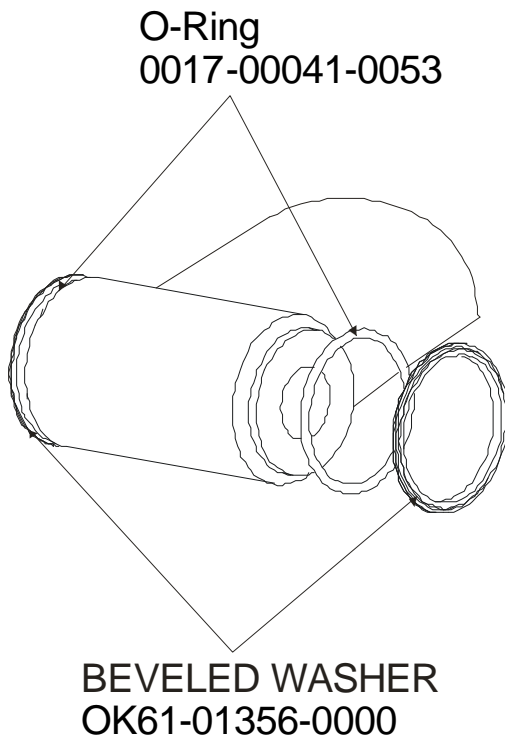
Clevis and Front Frame Covers



Pedal Lever Assembly

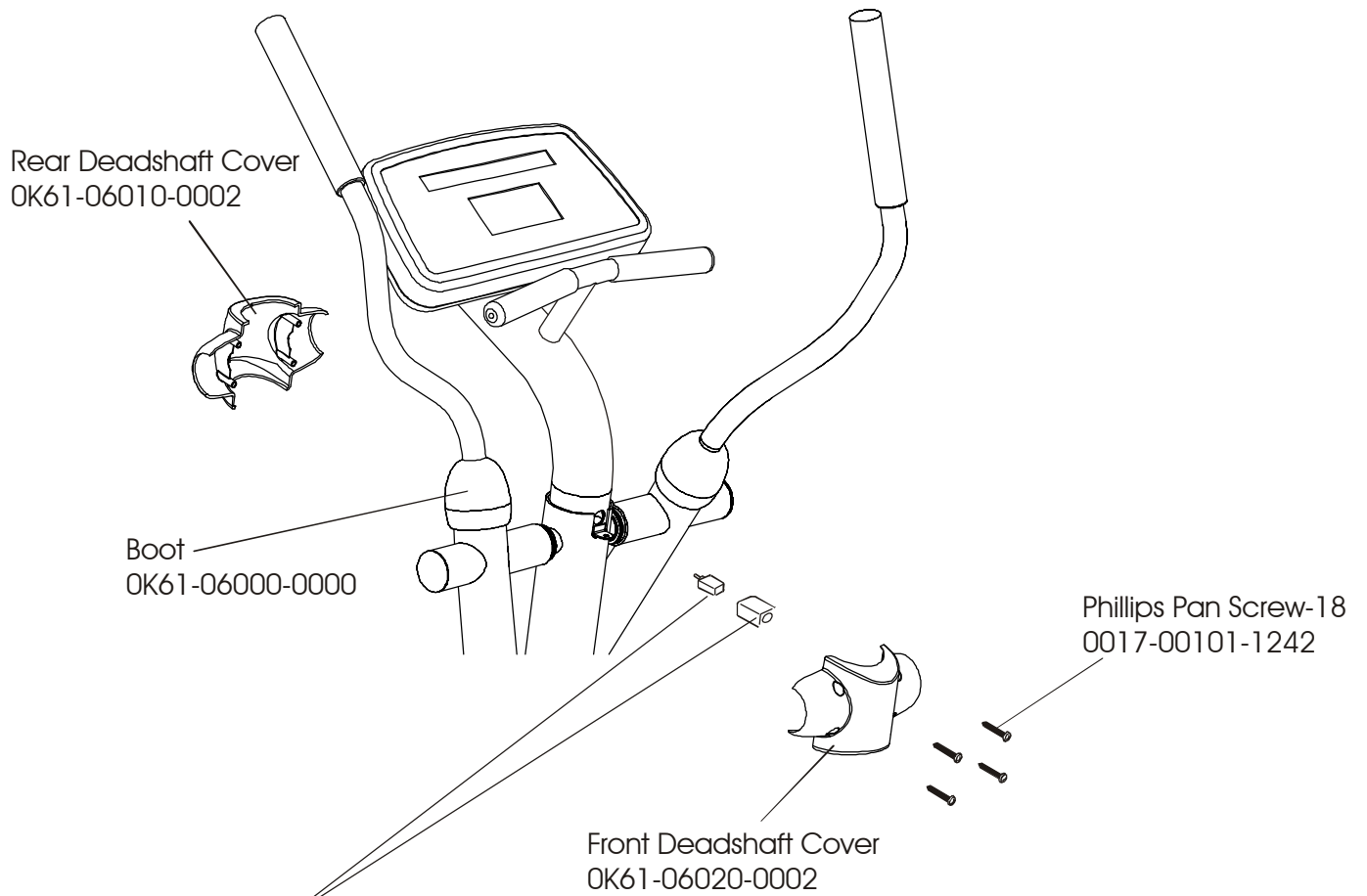


Left Pedal Assembly GK61-00002-0005,
Right Pedal Assembly GK61-00002-0006



**CT8500 Cross-Trainer
Rocker Arm Covers**

CT85-0XXX-01 W/O Polar HR, S/N 100000 & up



Optional Polar Kit
GK61-00002-0035

kit includes:

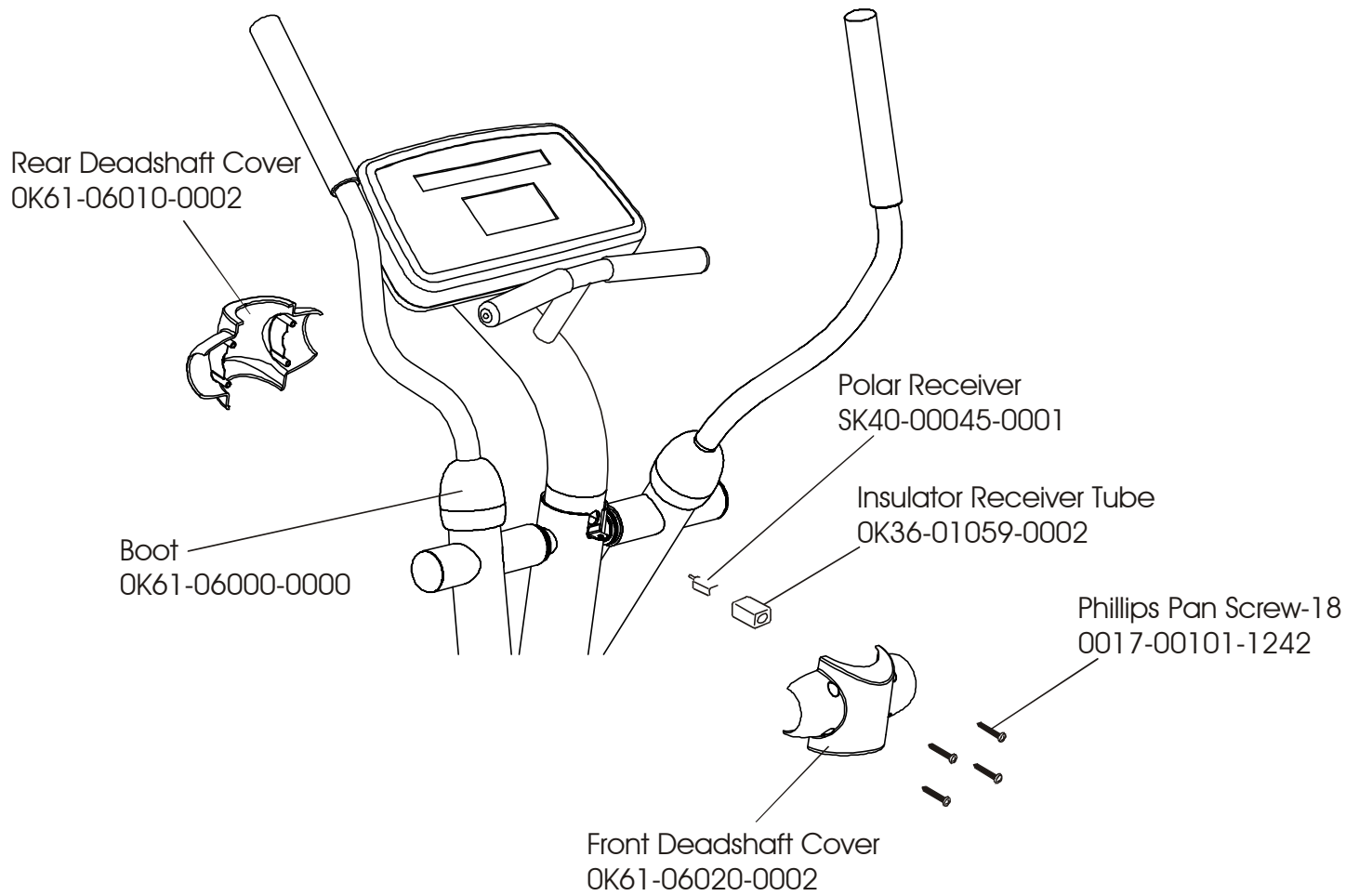
- cable
- receiver
- foam insulator
- instructions

kit does not include:

SK40-00045-0002 Polar Transmitter/Strap

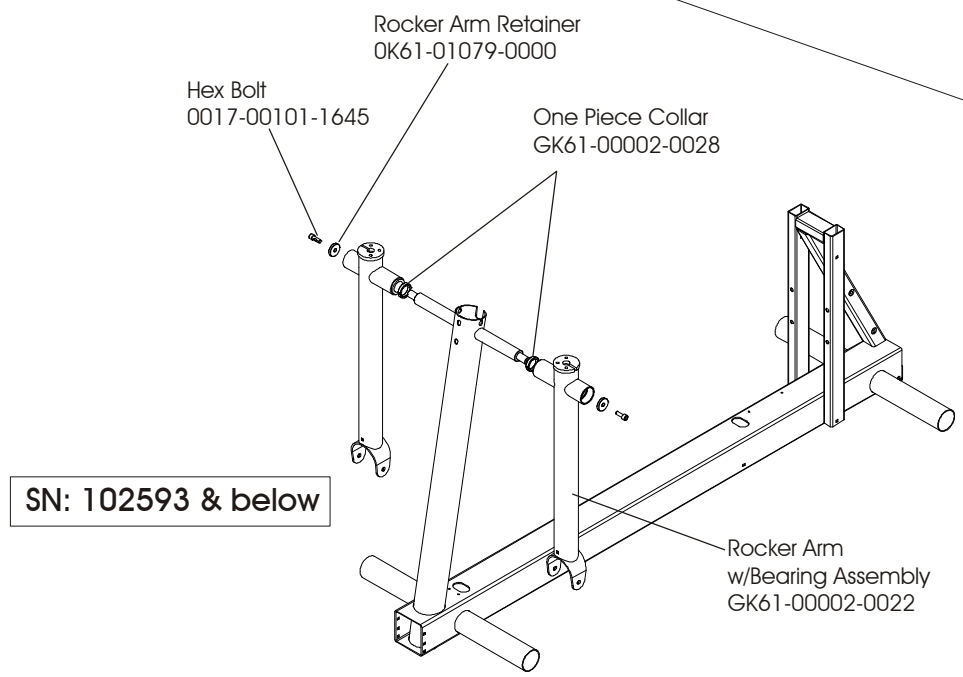
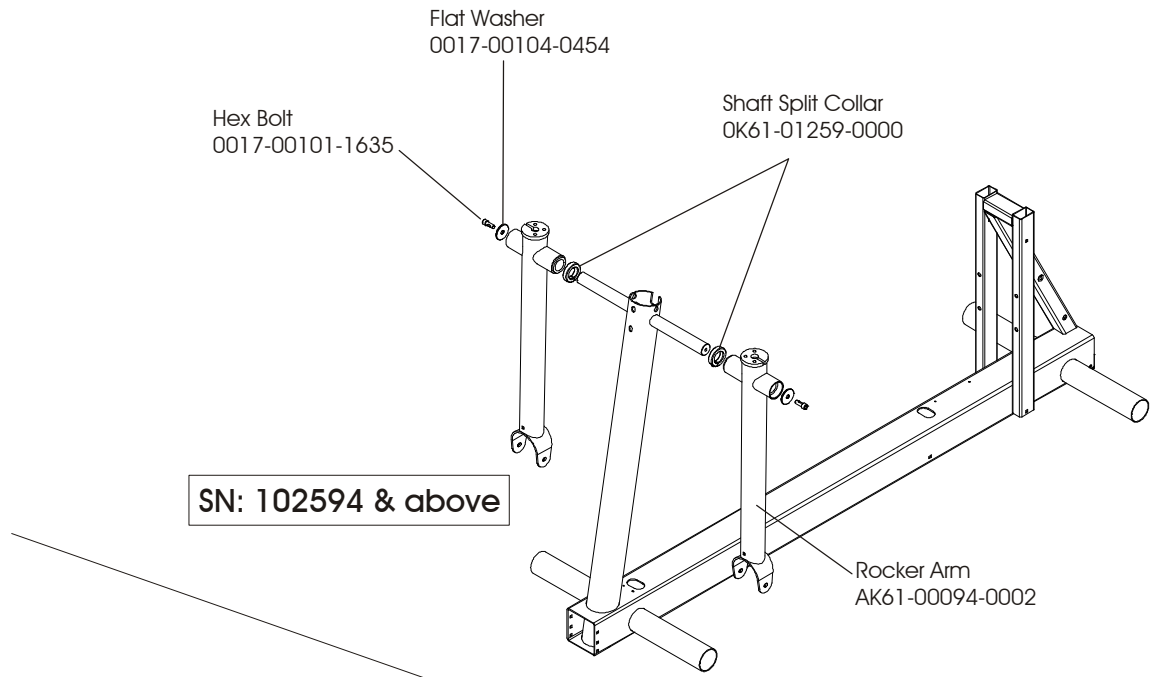
CT8500 Cross-Trainer
Rocker Arm Covers

CT85-0XXX-02 W/Polar HR, S/N 100214 & up



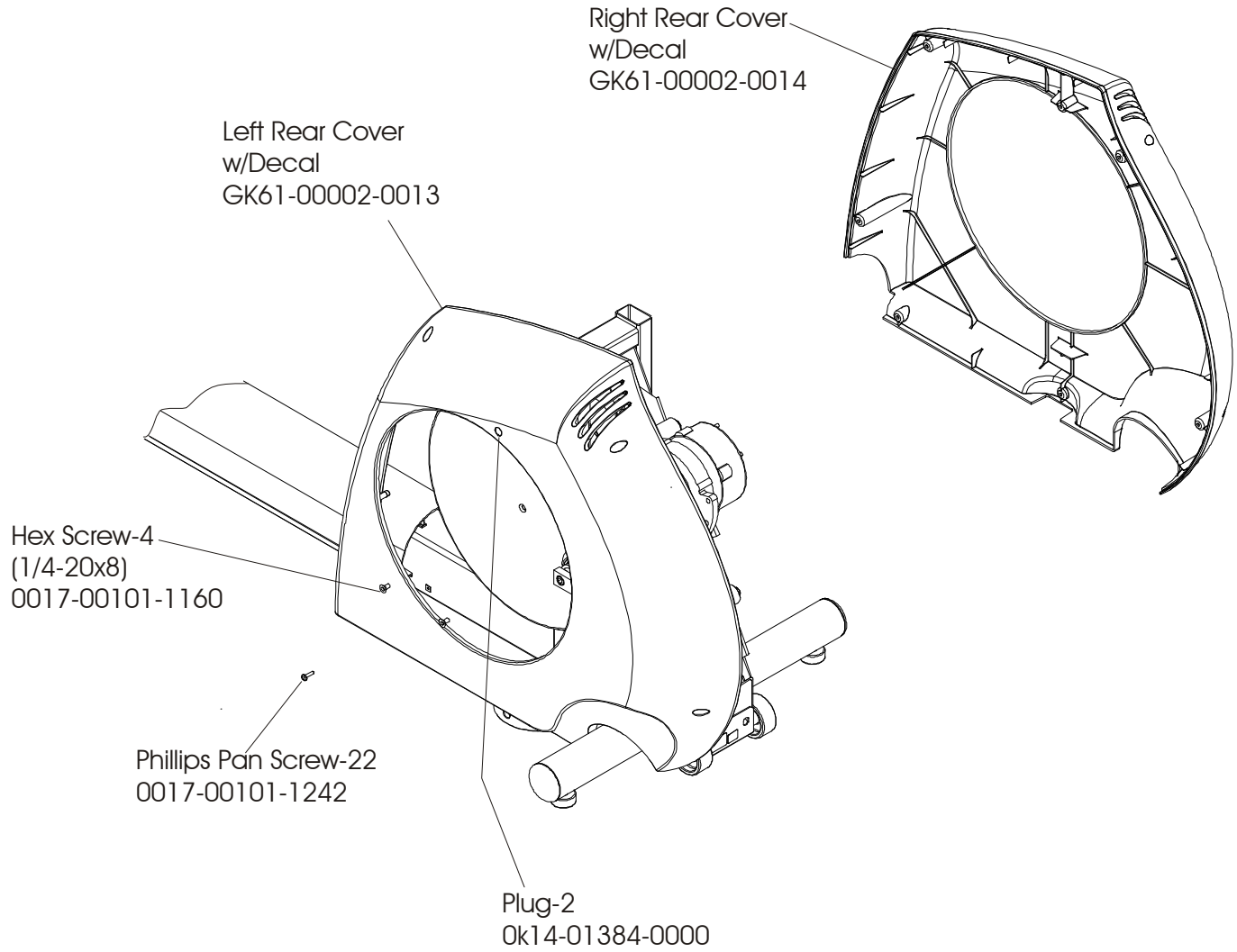
CT8500 Cross-Trainer
Rocker Arm Assembly

CT85-0XXX-01 W/O Polar HR, S/N 10000 & up
CT85-0XXX-02 W/Polar HR, S/N 100214 & up

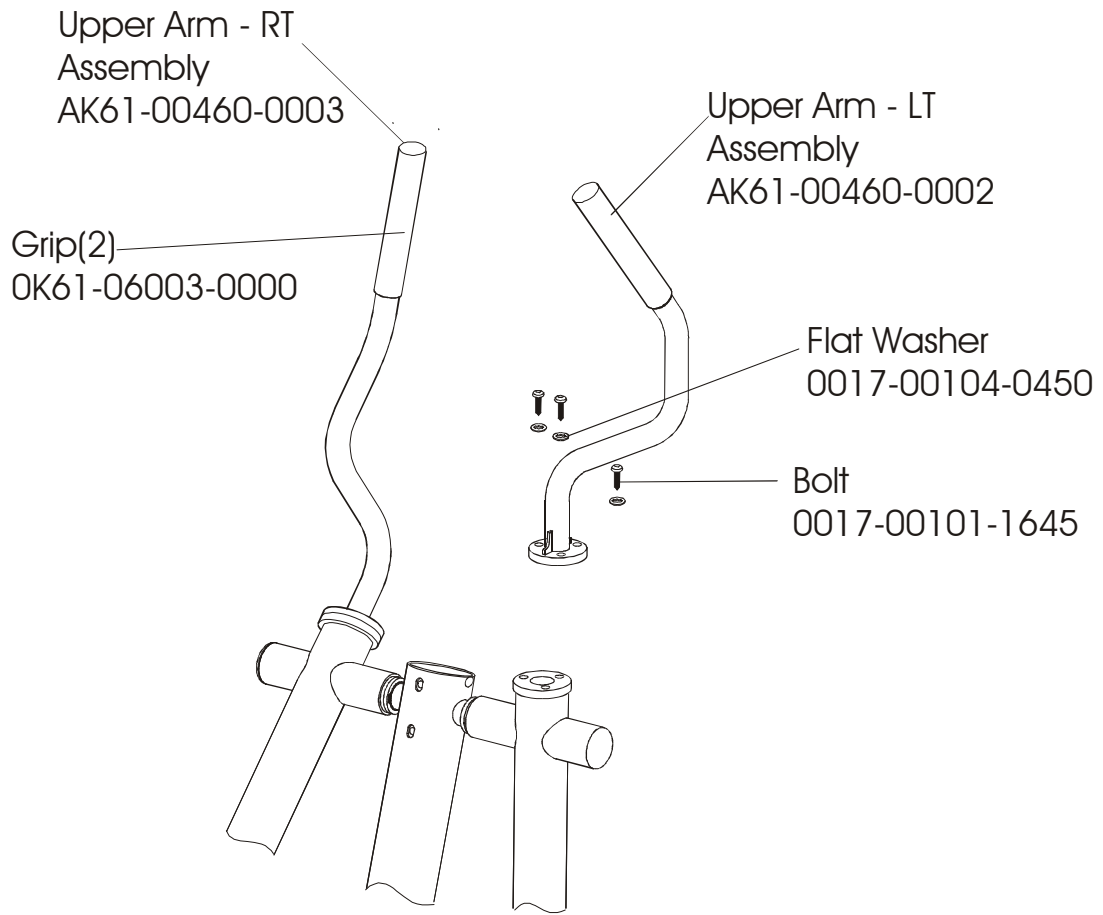


CT8500 Cross-Trainer
Rear Drive Shrouds w/Decals

CT85-0XXX-01 W/O Polar HR, S/N 10000 & up
CT85-0XXX-02 W/Polar HR, S/N 100214 & up



Upper Arm / Heart Rate Assembly



Free Manuals Download Website

<http://myh66.com>

<http://usermanuals.us>

<http://www.somanuals.com>

<http://www.4manuals.cc>

<http://www.manual-lib.com>

<http://www.404manual.com>

<http://www.luxmanual.com>

<http://aubethermostatmanual.com>

Golf course search by state

<http://golfingnear.com>

Email search by domain

<http://emailbydomain.com>

Auto manuals search

<http://auto.somanuals.com>

TV manuals search

<http://tv.somanuals.com>