

LF Cross-Trainer
General Assembly

X30-0000-01

120V Dom. Eng/Eng

CONSOLE ASSEMBLY
REX2AXQ
GERMAN CONSOLE ASSEMBLY
REX2CTB

CONSOLE DECAL
REX2AV7
OVERLAY
REX2AXM

ACCESSORY TRAY: REX2AYF
HARDWARE BAG: REX2AZ8
TOUCH UP PAINT: 7967401
RECEIVER: REX21PV
TRANSMITTER: REX2B95
OPER. MANUAL: 7953401

ENDCAP
REX21MV
ENDCAP SCREWS
REX0KC6

MODEL BADGE
REX2AVN

WATER BOTTLE
REX2B96
WATER BOTTLE HOLDER
REX21CV
SCREWS
REX0K4R

FRONT
COMPONENTS

REAR
COMPONENTS

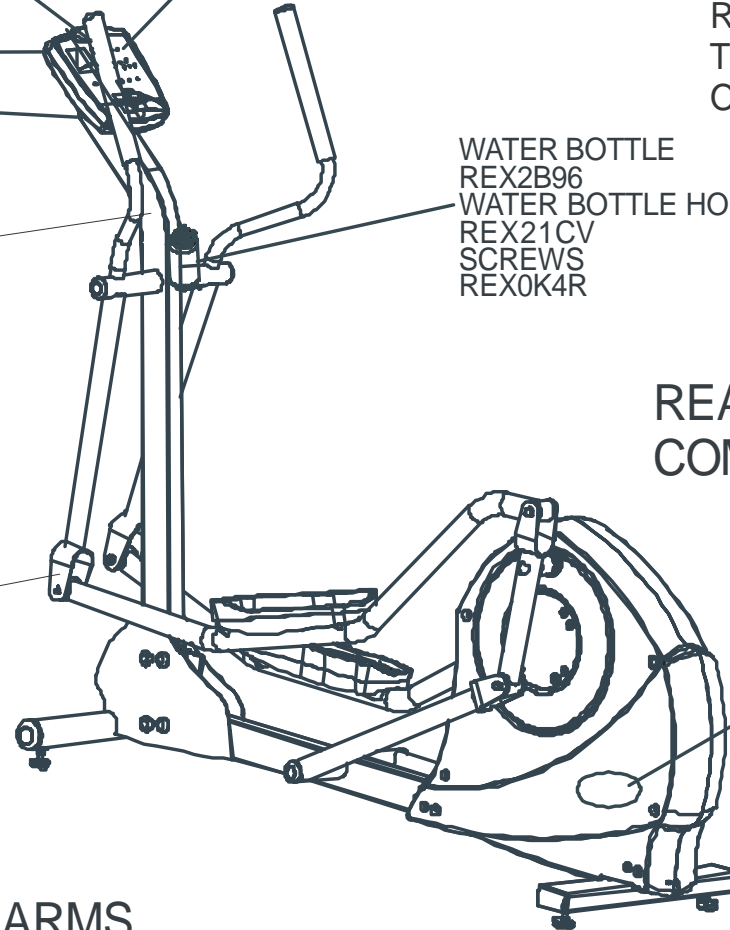
CLEVIS COVERS
FRONT
REX2AQU
REAR
REX2AQT

LF LOGO LABEL
REX2ARH

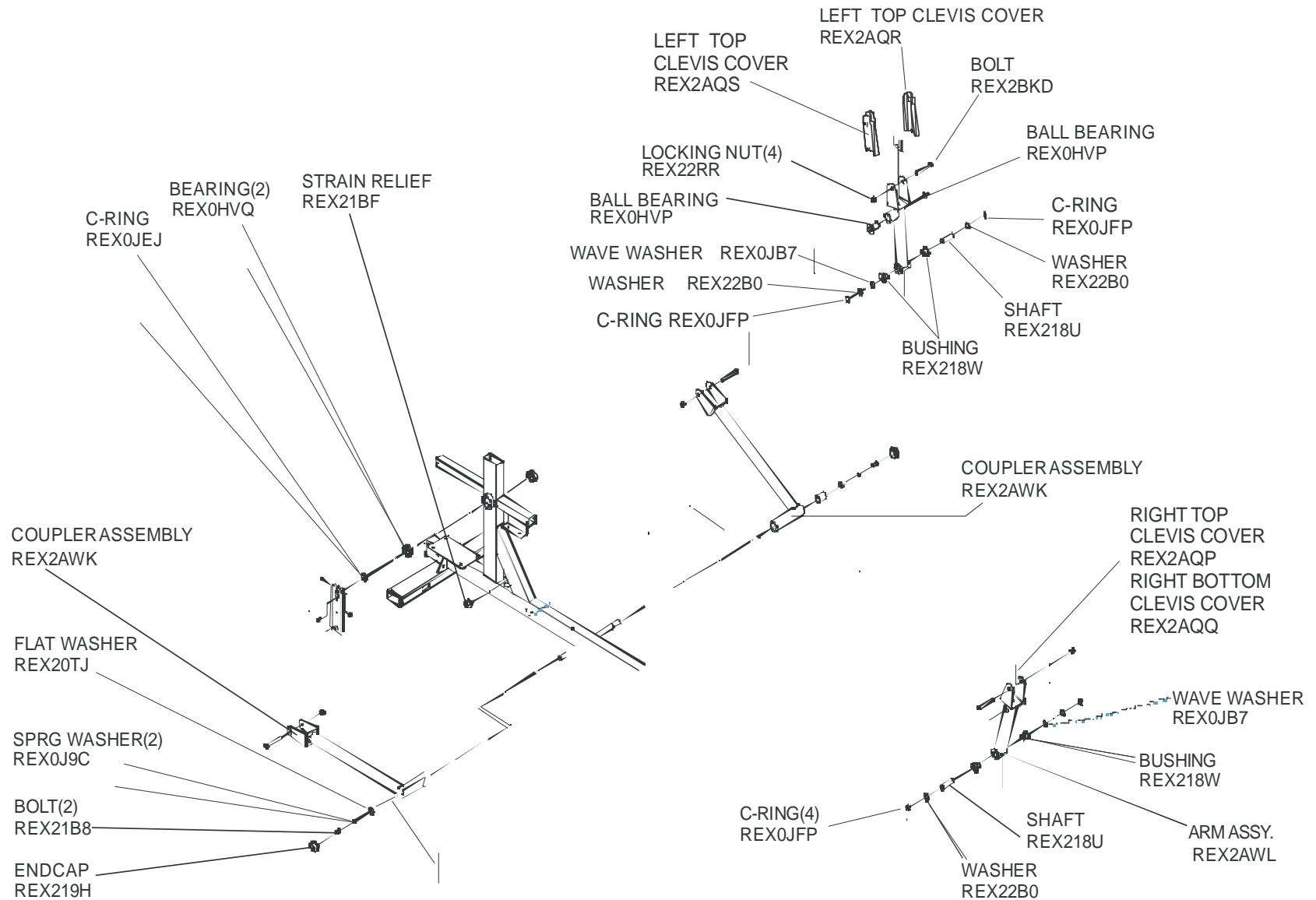
MOVEMENT ARMS
& HARDWARE

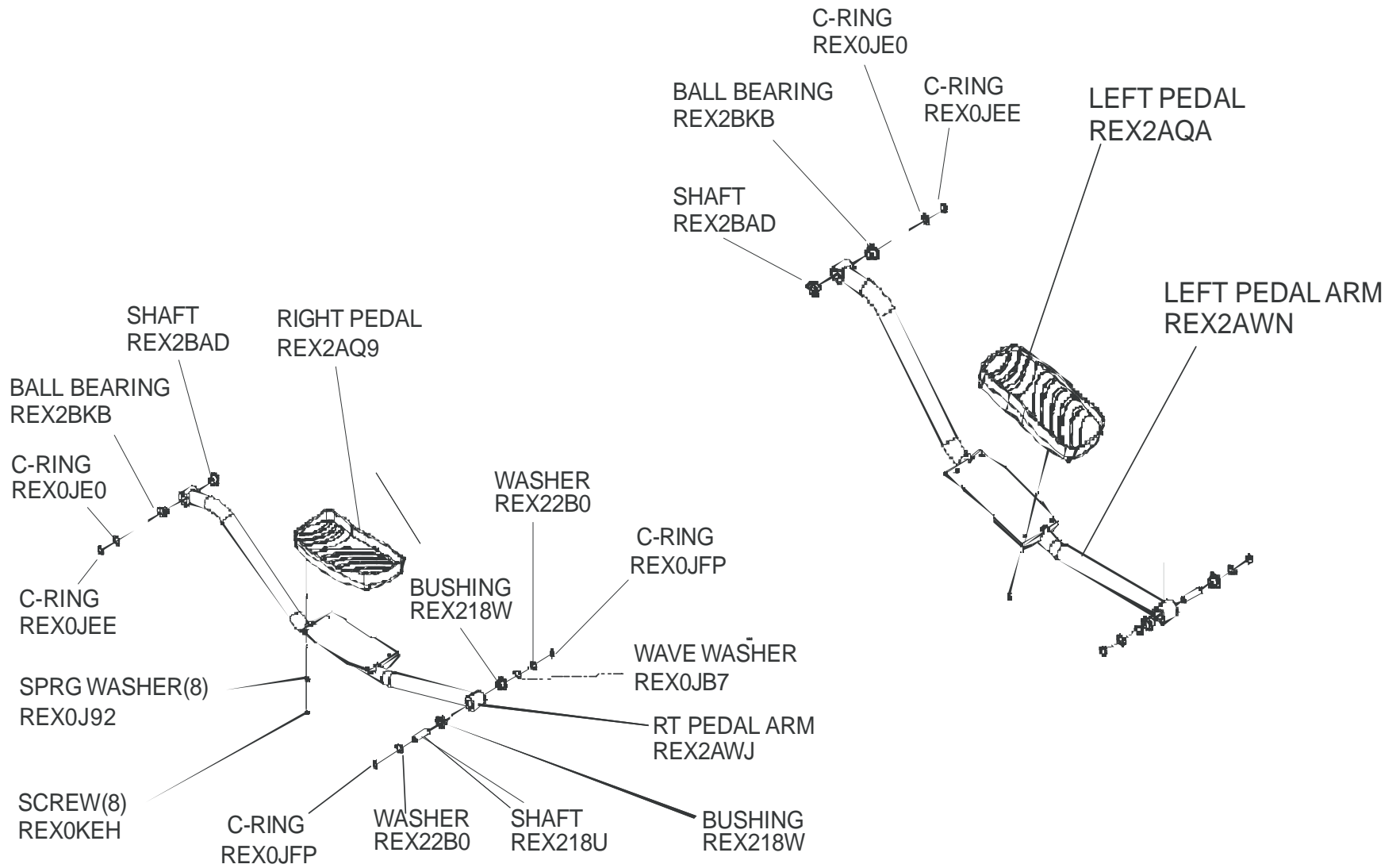
BLOCK
DIAGRAM

CABLES



rev. 07 May 07

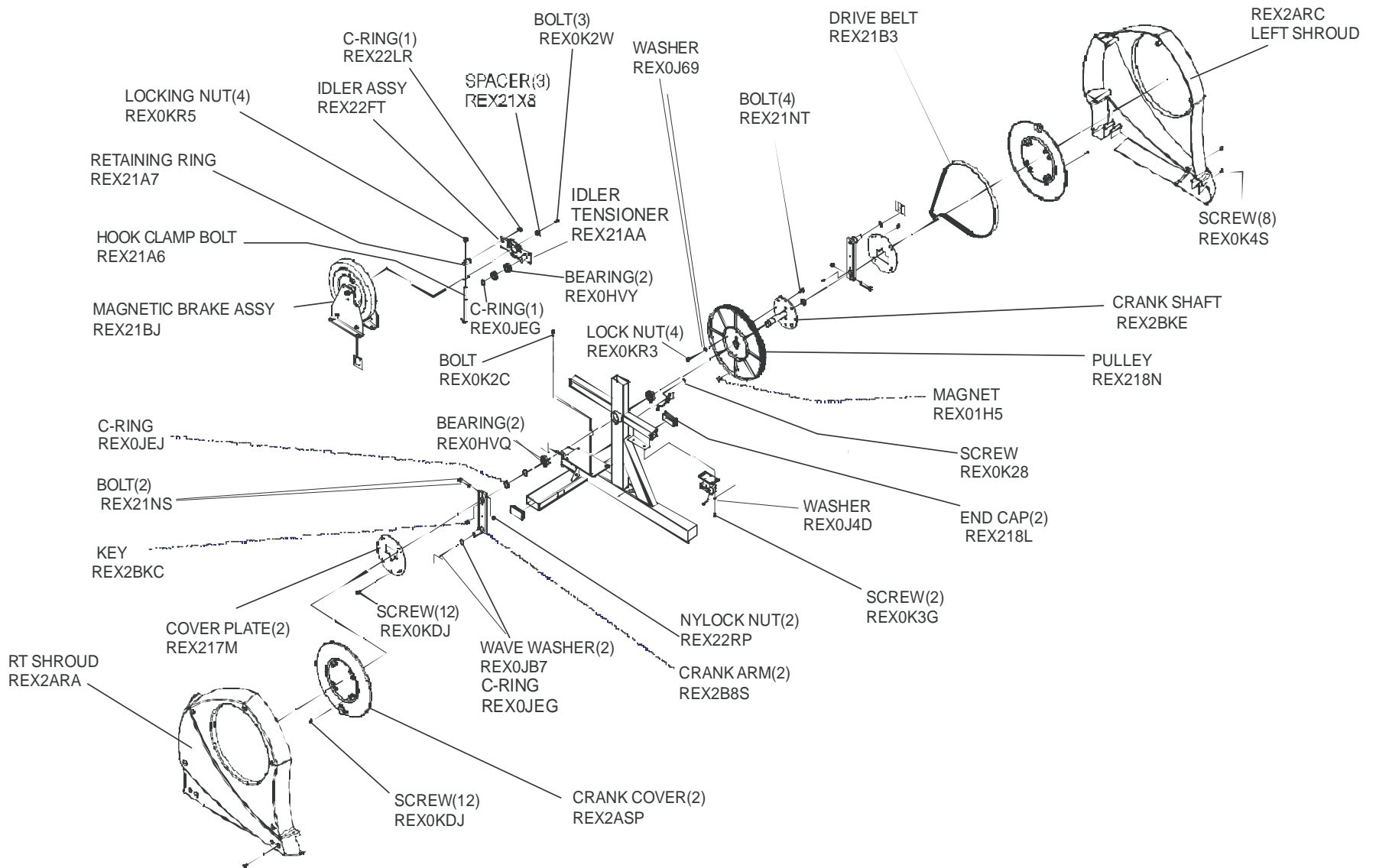


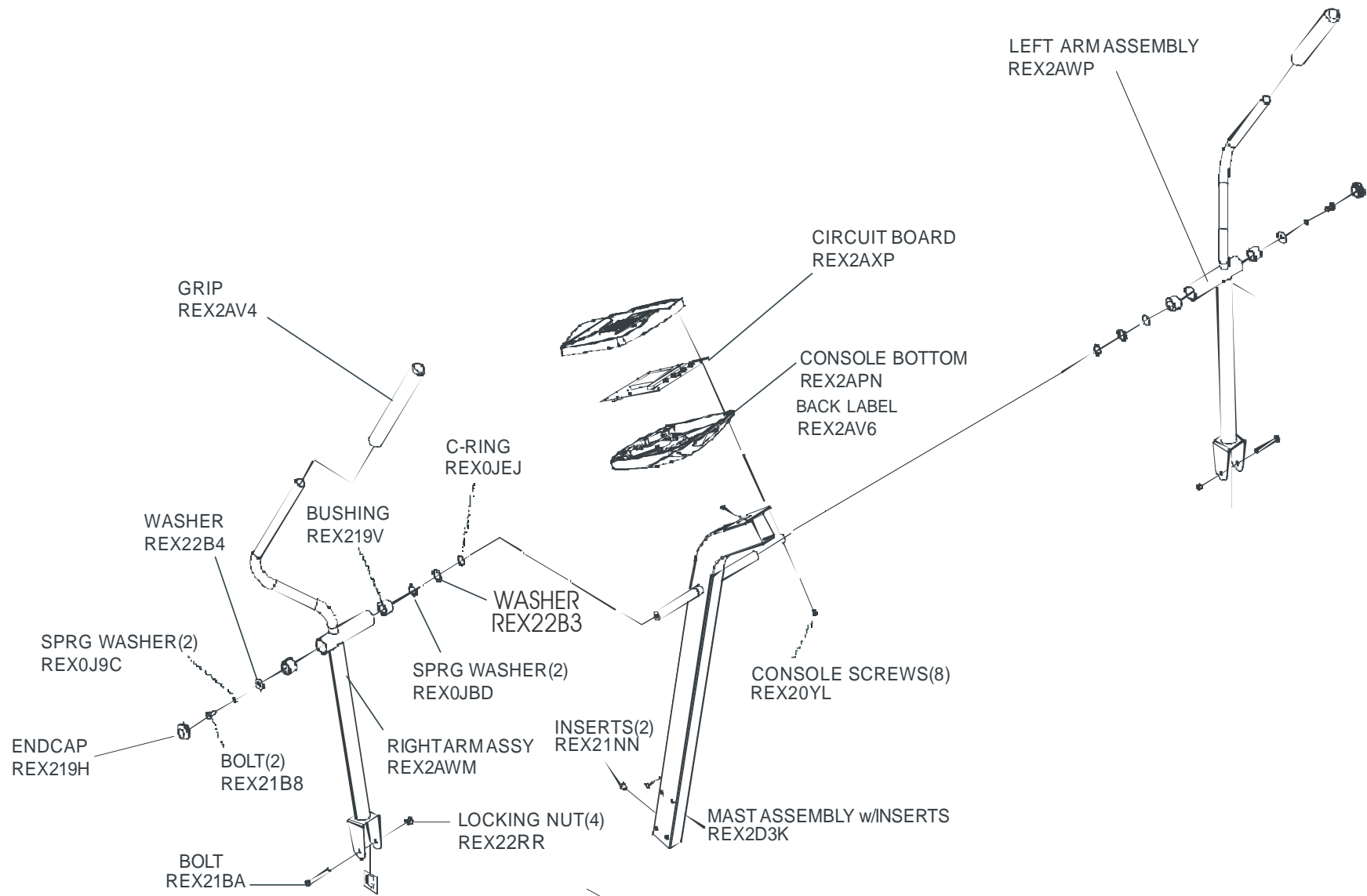


LF Cross-Trainer
Rear Components

X30-0000-01

120V Dom. Eng/Eng





RIGHT FRONT COVER (NOT SHOWN)

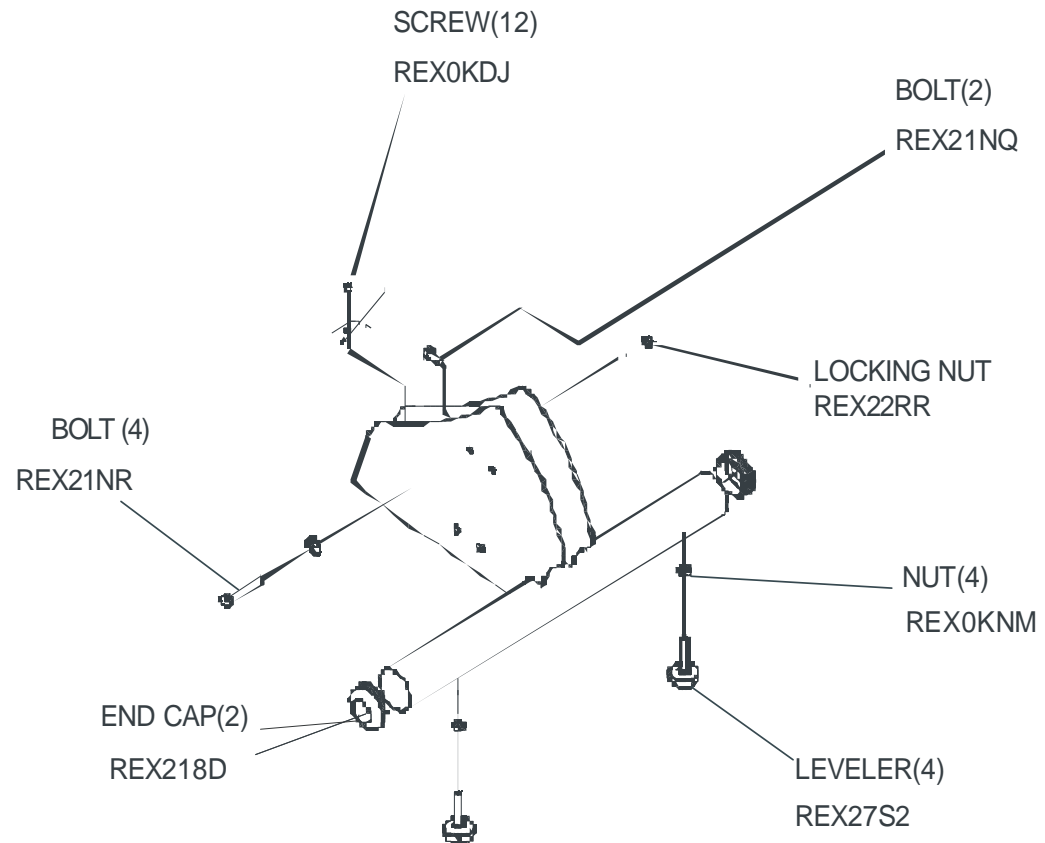
REX2AQ1

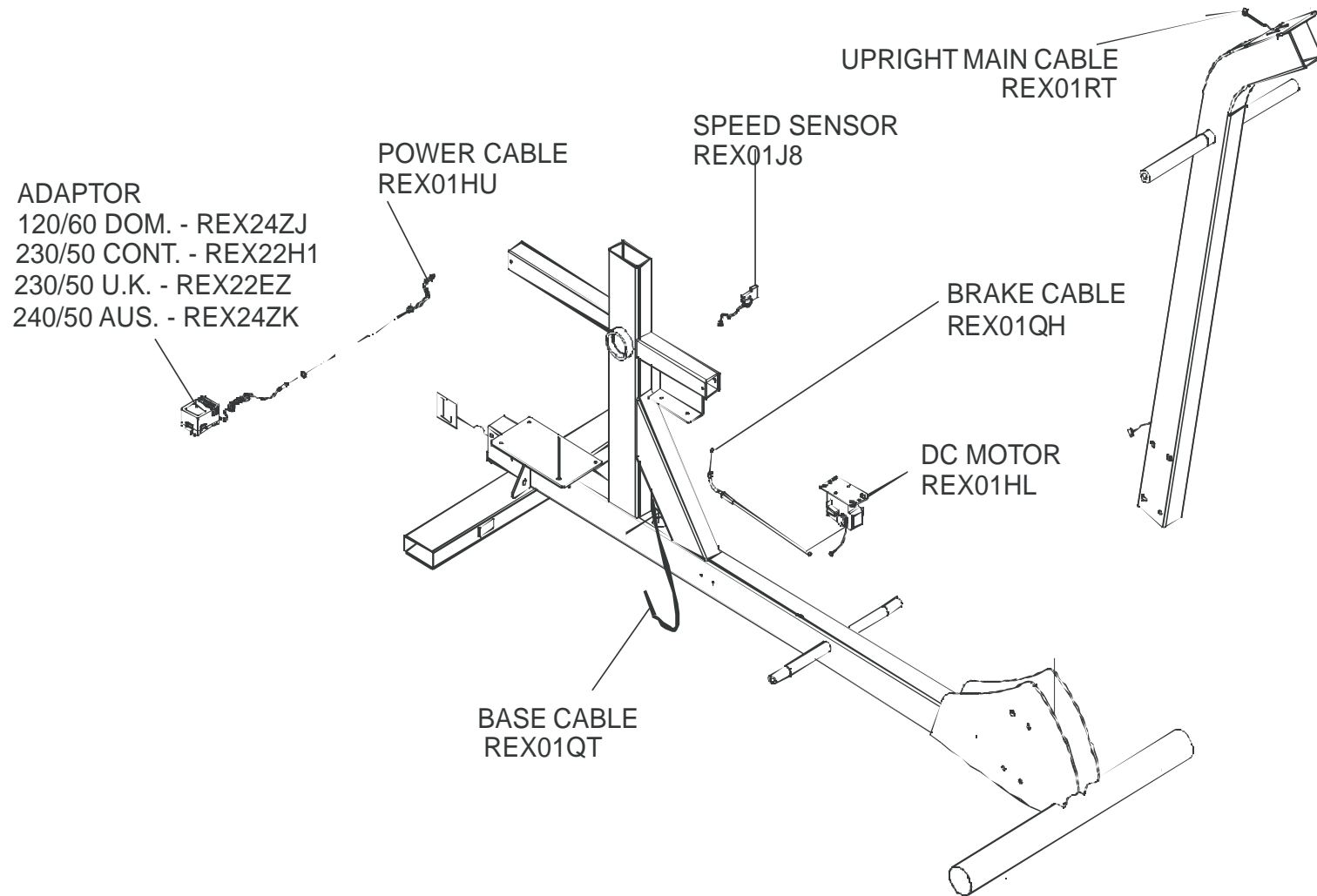
LEFT FRONT COVER (NOT SHOWN)

REX2AQ6

MAST COVER SCREWS (3 PER COVER)

REX0K4S

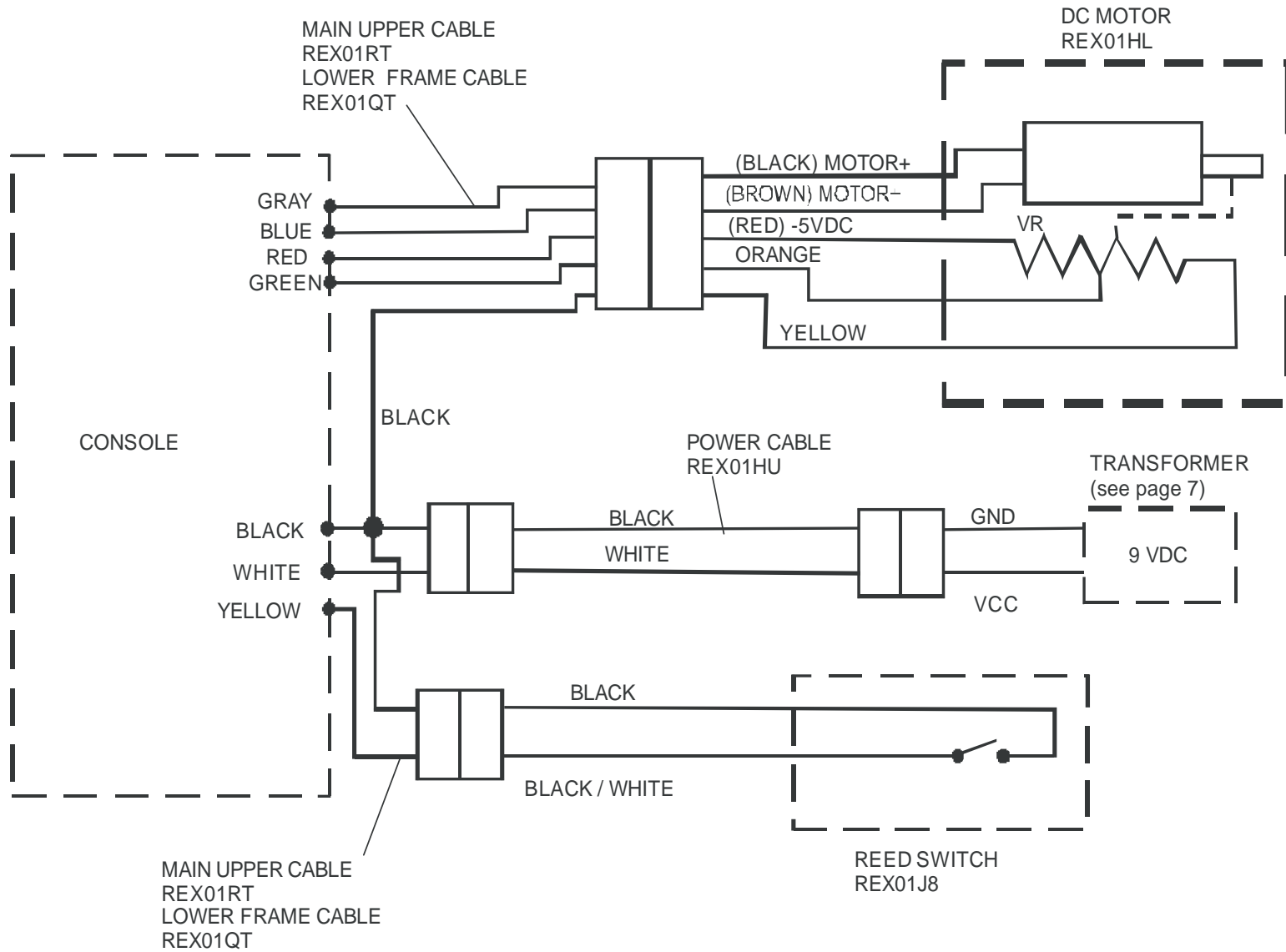




LF Cross-Trainer
Block Diagram

X30-0000-01

120V Dom. Eng/Eng



Free Manuals Download Website

<http://myh66.com>

<http://usermanuals.us>

<http://www.somanuals.com>

<http://www.4manuals.cc>

<http://www.manual-lib.com>

<http://www.404manual.com>

<http://www.luxmanual.com>

<http://aubethermostatmanual.com>

Golf course search by state

<http://golfingnear.com>

Email search by domain

<http://emailbydomain.com>

Auto manuals search

<http://auto.somanuals.com>

TV manuals search

<http://tv.somanuals.com>