

95Xe Total Body Trainer
operation manual

CORPORATE HEADQUARTERS

10601 West Belmont Avenue
Franklin Park, Illinois 60131 • U.S.A.
847.288.3300 • FAX: 847.288.3703
800.735.3867 (Toll-free within U.S.A., Canada)

INTERNATIONAL OFFICES

LIFE FITNESS ASIA PACIFIC LTD

Room 2610, Miramar Tower
132 Nathan Road
Tsimshatsui, Kowloon
HONG KONG
Telephone: (+852) 2891.6677
FAX: (+852) 2575.6001

LIFE FITNESS ATLANTIC BV LIFE FITNESS BENELUX

Bijdorpplein 25-31
2992 LB Barendrecht
THE NETHERLANDS
Telephone: (+31) 180.646.666
FAX: (+31) 180.646.699

LIFE FITNESS BENELUX NV

Parc Industriel de Petit-Rechain
4800 Verviers
BELGIUM
Telephone: (+32) 87.300.942
FAX: (+32) 87.300.943

LIFE FITNESS DO BRAZIL

Av. Dr. Dib Sauaia Neto 1478
Alphaville, Barueri, SP
06465-140
BRAZIL
Telephone (+55) 11.4193.8282
FAX: (+55) 11.4193.8283

LIFE FITNESS AUSTRIA

Vertriebs GmbH
Hintschiggasse 1
1100 Vienna
AUSTRIA
Telephone: (+43) 1.61 57 198
FAX: (+43) 1.61 57 198.20

LIFE FITNESS IBERIA

Pol. Ind. Molí dels Frares. c/C, nº 12
08620 Sant Vicenç dels Horts (Barcelona)
Espanña
Telephone: (+34) 93.672.4660
FAX: (+34) 93.672.4670

LIFE FITNESS EUROPE GMBH

Siemensstrasse 3
85716 Unterschleissheim
GERMANY
Telephone: (+49) 89.31 77 51.0
FAX: (+49) 89.31 77 51.99

LIFE FITNESS ITALIA S.R.L.

Via San Pieretto
37010 AFFI (Verona)
ITALY
Telephone: (+39) 045.7238204
FAX: (+39) 045.7238197

LIFE FITNESS LATIN AMERICA and CARIBBEAN

10601 West Belmont Avenue
Franklin Park, Illinois 60131
U.S.A.
Telephone: (+1) 847.288.3300
FAX: (+1) 847.288.3762

LIFE FITNESS UK LTD

Queen Adelaide
Ely, Cambs CB7 4UB
UNITED KINGDOM
Telephone: (+44) 1.353.666 017
FAX: (+44) 1.353.666 018

LIFE FITNESS JAPAN

Nippon Brunswick Bldg., #8F
5-27-7 Sendagaya
Shibuya-Ku, Tokyo
Japan 151-0051
Telephone: (+81) 3.3359.4309
FAX: (+81) 3.3359.4307

M051-00K62-A077
04/04

Before using this product, it is essential that this ENTIRE operation manual and ALL installation instructions be read.

This will help in setting up the equipment quickly and in instructing others on how to use it correctly and safely.

Avant toute utilisation de ce produit, il est indispensable de lire ce manuel d'utilisation dans son INTÉGRALITÉ, ainsi que TOUTES les instructions d'installations.

Ce manuel explique comment installer l'équipement et comment l'utiliser correctement et sans danger.

FCC Warning - Possible Radio / Television Interference

NOTE: This equipment has been tested and found to comply with the limits for a Class A digital device, pursuant to part 15 of the FCC rules. These limits are designed to provide reasonable protection against harmful interference when the equipment is operated in a commercial environment. This equipment generates, uses and can radiate radio frequency energy, and if not installed and used in accordance with the operation manual, may cause harmful interference to radio communications. Operation of this equipment in a residential area is likely to cause harmful interference in which case the user will be required to correct the interference at his own expense.

Class SA (Studio): Professional and / or commercial use.



CAUTION: Any changes or modifications to this equipment could void the product warranty.



MISE EN GARDE: Tout changement et toute modification de ce matériel peut annuler la garantie du produit.

Any service, other than cleaning or user maintenance, must be performed by an authorized service representative. There are no user serviceable parts.

TABLE OF CONTENTS

Section	Description	Page
1.	Getting Started	5
1.1	Important Safety Instructions	5
1.2	New Features	7
1.3	Setup	8
	Electrical Power Requirements // Where to Place the Life Fitness® Fit Stride Total Body Trainer // How to Stabilize the Total Body Trainer // Fitness Networking // Cable TV Hook-up	
2.	The Display Console	10
2.1	Display Console Overview	10
2.2	Display Console Descriptions	11
2.3	The Accessory Tray / Reading Rack	17
3.	Heart Rate Zone Training Exercise	18
3.1	Why Heart Rate Zone Training Exercise	18
3.2	Heart Rate Monitoring	19
	The Lifepulse™ Digital Heart Rate Monitoring System // The Polar® Telemetry Heart Rate Monitoring Chest Strap	
4.	The Workouts	21
4.1	Workout Overviews	21
4.2	Using the Workouts	22
	Beginning a Workout // Selecting a Workout // Entering Workout Goals // Entering Workout Values // Selecting a Workout Mode // Changing/Ending Workouts // Total Body Trainer Workout Setup Steps (chart)	
4.3	Workout Descriptions	26
	Quick Start // Manual // Random // Fat Burn // Cardio // Hill // Around the World // Cascades // Foothills // Interval // Kilimanjaro // Speed Training // Heart Rate Hill™ // Heart Rate Interval™ // Extreme Heart Rate™ // Watts // METs // Cross-Train Aerobics // Cross-Train Reverse // Life Fitness Fit Test	
5.	System Options Menu	37
5.1	Using the System Options Menu	37
5.2	Setting Configurations	37
6.	Service And Technical Data	39
6.1	Preventive Maintenance Tips	39
6.2	Preventive Maintenance Schedule	40
6.3	Troubleshooting the Polar® Heart Rate Chest Strap	40
6.4	Troubleshooting the Lifepulse System Sensors	41
6.5	How to Obtain Product Service	41
7.	Specifications	42
7.1	Life Fitness 95Xe Fit Stride Total Body Trainer Specifications	42

© 2004 Life Fitness, a division of Brunswick Corporation. All rights reserved. Life Fitness, Heart Rate Zone Training, and Lifepulse are registered trademarks of Brunswick Corporation. Fit Stride, Heart Rate Zone Training, Heart Rate Hill, Heart Rate Interval, and Extreme Heart Rate are trademarks of Brunswick Corporation. Polar is a registered trademark of Polar Electro, Inc. FitLinxx is a registered trademark of the Integrated Fitness Corp. Any use of these trademarks, without the express written consent of Life Fitness or the corresponding companies is forbidden.

This Operation Manual describes the functions of the following product:

Life Fitness Fit Stride™ Total Body Trainer

95Xe

See "Specifications" page in this manual for product specific features.

Statement of Purpose: The Life Fitness Fit Stride Total Body Trainer is an exercise machine that combines low-impact elliptical pedaling with push/pull arm motion to provide an efficient, effective total body workout.



CAUTION: Health-related injuries may result from incorrect or excessive use of exercise equipment. Life Fitness STRONGLY recommends seeing a physician for a complete medical exam before undertaking an exercise program, particularly if the user has a family history of high blood pressure or heart disease, or is over the age of 45, or smokes, has high cholesterol, is obese, or has not exercised regularly in the past year.

If, at any time while exercising, the user experiences faintness, dizziness, pain, or shortness of breath, he or she must stop immediately.



MISE EN GARDE: Des problèmes de santé peuvent être causés par une utilisation incorrecte ou excessive de l'équipement. Life Fitness conseille VIVEMENT de consulter un médecin pour subir un examen médical complet avant de commencer tout programme d'exercice, et tout particulièrement si l'utilisateur a des antécédents familiaux d'hypertension ou de troubles cardiaques, ou s'il a plus de 45 ans, s'il fume, s'il a du cholestérol, s'il est obèse ou n'a pas fait d'exercice régulièrement depuis un an.

Si, pendant l'utilisation de l'appareil, l'utilisateur ressent un malaise, des vertiges, des douleurs ou des difficultés à respirer, il doit cesser immédiatement.

1 GETTING STARTED

1.1 IMPORTANT SAFETY INSTRUCTIONS

- **WARNING:** The safety of the product can be maintained only if it is examined regularly for damage and wear. See Preventive Maintenance section for details.
- **DANGER:** To reduce the risk of electrical shock, always unplug this Life Fitness product before cleaning or attempting any maintenance activity.
- **DANGER:** To reduce the risk of burns, fire, electric shock, or injury, it is imperative to connect each product to a properly grounded electrical outlet.
- Never operate a Life Fitness product if it has a damaged power cord or electrical plug, or if it has been dropped, damaged, or even partially immersed in water. Contact Life Fitness Customer Support Services for assistance.
- Keep the power cord away from heated surfaces. Do not pull the equipment by the power cord or use the cord as a handle. Do not run the power cord on the floor under or along the side of the Total Body Trainer.
- If the electrical supply cord is damaged, it must be replaced by the manufacturer, an authorized service agent, or a similarly qualified person to avoid a hazard.

LOCATION

- Position this product so that the power cord plug is accessible to the user.
- Use the Total Body Trainer only as directed in this manual.
- Do not use this product outdoors, near swimming pools or in areas of high humidity.
- Keep the area around the Life Fitness product clear of any obstructions, including walls and furniture. Ensure that there is at least one foot of clearance in front of the Total Body Trainer.
- Close supervision is necessary when used by children, invalids or disabled persons.

OPERATION

- Always follow the console instructions for proper operation.
- Never operate a Life Fitness product with the air openings blocked. Keep air openings free of lint, hair or any obstructing material.
- Never insert objects into any opening in this product. If an object should drop inside, carefully retrieve it. If the item cannot be reached, contact Life Fitness Customer Support Services.
- Never place liquids of any type directly on the unit, except in the accessory tray water bottle holder. Containers with lids are recommended.
- Wear shoes with rubber or high-traction soles. Do not use shoes with heels, leather soles, cleats or spikes. Make sure no stones are embedded in the soles.
- Keep all loose clothing, shoelaces and towels away from moving parts.
- Do not use this product in bare feet.
- Do not tip the unit on its side during operation.
- Use caution when mounting or dismounting the Total Body Trainer. Use the stationary handlebar whenever additional stability is required. While exercising, hold onto the moving arms.
- Never use the Total Body Trainer while facing backward.
- Do not stand or sit on pedal lever covers or motor housing.

SAVE THESE INSTRUCTIONS FOR FUTURE REFERENCE.

1 POINT DE DÉPART

1.1 CONSIGNES DE SÉCURITÉ IMPORTANTES

- **AVERTISSEMENT** – Pour une utilisation sûre, le produit doit être inspecté régulièrement afin de s'assurer qu'il n'est pas usé ni endommagé. Consultez la section de maintenance préventive pour obtenir de plus amples informations.
- **DANGER** – Pour réduire les risques de décharges électriques, l'appareil Life Fitness doit toujours être débranché avant tout nettoyage ou travail d'entretien.
- **DANGER** – Pour réduire les risques de brûlures, d'incendies, de décharges électriques ou de blessures, tout appareil doit être branché impérativement sur une prise électrique correctement mise à la terre.
- Ne faites jamais fonctionner d'appareil Life Fitness dont le cordon d'alimentation ou la fiche seraient abîmés, qui aurait fait une chute ou qui aurait été endommagé ou partiellement plongé dans l'eau. Appelez le service clientèle de Life Fitness pour obtenir de l'assistance.
- Maintenez le cordon d'alimentation à l'écart des surfaces chaudes. Ne tirez pas l'appareil par son cordon et n'utilisez pas celui-ci comme une poignée. Ne faites pas passer le cordon sur le sol, sous le tapis de course, ni le long de l'appareil.
- Si le cordon d'alimentation électrique est endommagé, il doit être remplacé par le fabricant, par un réparateur agréé ou par une personne qualifiée afin d'éviter tout danger.

EMPLACEMENT

- Placez ce produit de manière à ce que l'utilisateur puisse accéder à la fiche du cordon d'alimentation.
- Utilisez le Total Body Trainer uniquement comme indiqué dans ce manuel.
- N'utilisez pas ce produit à l'extérieur, près d'une piscine ou dans des endroits très humides.
- Maintenez la zone autour de l'appareil exempte de toute obstruction, y compris murs et meubles. Veillez à laisser un dégagement d'au moins 30 cm devant la machine.
- Une étroite surveillance est nécessaire en cas d'utilisation par des enfants, des personnes invalides ou handicapées.

FONCTIONNEMENT

- Pour un fonctionnement correct, suivez toujours les instructions de la console.
- Ne faites jamais fonctionner de produit Life Fitness dont les bouches d'aération seraient bloquées. Maintenez-les exemptes de peluches, de cheveux ou de toute obstruction.
- N'insérez jamais d'objet dans les ouvertures de cet appareil. Tout objet accidentellement tombé à l'intérieur doit être récupéré. Si vous ne pouvez pas l'atteindre, consultez le service après-vente de Life Fitness.
- Ne placez jamais de liquides d'aucune sorte directement sur l'appareil, sauf dans le support pour bouteille du plateau d'accessoires. Il est recommandé d'utiliser des gobelets munis d'un couvercle.
- Portez des chaussures avec semelles en caoutchouc ou antidérapantes. N'utilisez pas de chaussures à talons, de semelles en cuir ou à crampons. Assurez-vous qu'aucun caillou ne s'est incrusté dans les semelles.
- Maintenez les vêtements lâches, les lacets et les serviettes à l'écart des pièces en mouvement.
- N'utilisez pas cet appareil sans chaussures.
- Ne renversez pas l'appareil sur le côté pendant son fonctionnement.
- Montez et descendez avec précaution du Total Body Trainer. Utilisez la barre fixe lorsque vous avez besoin de renforcer votre équilibre. Pendant les exercices, saisissez les bras mobiles.
- Ne montez jamais à l'envers sur le Total Body Trainer.
- Ne vous tenez pas debout ni assis sur les capots des leviers de pédales ou sur le capot du moteur.

CONSERVEZ CES INSTRUCTIONS POUR TOUT USAGE ULTÉRIEUR.

1.2 NEW FEATURES

The Integrated LCD Console on the Total Body Trainer brings together the best LCD technology and the best cardio equipment. It combines eye-catching entertainment with an interactive exercise experience.

NEW FEATURES ON THE TOTAL BODY TRAINER INCLUDE:

- **New Touchscreen Display:** This integrated, intuitive touchscreen features built-in intelligence. This gives exercisers the freedom to watch their favorite TV program and monitor their entire workout progress at the same time, all on one screen.
See Section 2.2 *Display Console Descriptions, Workout Progress*.
- **Ergonomic Viewing:** The ergonomically-positioned viewing angle provides optimal comfort and reduces glare. Plus the protective layer on the Touchscreen Display eliminates direct contact and preserves the life of the LCD screen.
- **Easy Start-up:** It's no longer necessary to pedal to get started. Instead, choose and set up a workout, and begin pedaling when the workout begins.
See Section 4.2 *Using the Workouts*
- **Improved Interface:** The sharp screen image, and attractive graphics makes the screen easier to read and to use. There are no complicated steps to setting up a workout—simply choose a workout, enter values and get started.
See Section 4.2 *Using the Workouts*
- **New Help Files:** Now, choosing a workout can be an informed decision. Simply select the question mark on the workout selection screen to access help files, which give explanations of each of the workouts.
See Section 2.2 *Display Console Descriptions, Workout Selection, Help*
- **Workout Flexibility:** Choosing a different workout “on the fly” is as simple as selecting a button, and choosing a new workout. And now there are two ways to change a workout parameter mid-workout—either use the keys on the Control Panel, or use the buttons on the Touchscreen Display.
See Section 4.2 *Using the Workouts, Changing/Ending Workouts, Switching Workouts “On the Fly”*
- **Better Monitoring:** The Touchscreen Display shows all relevant workout statistics at one glance.
See Section 2.2 *Display Console Descriptions, Workout Progress*
- **New Time Views:** Allows the user to choose the most motivating time display for them. Time can be viewed as Elapsed Time, Remaining Time, or Hidden Time. Changing time views is as simple as touching a button.
See Section 2.2 *Display Console Descriptions, Workout Progress, Elapsed Time*
- **More Options for Managers:** More ways for managers to monitor statistics, track usages, and record personalized messages. Channel setup for the TV allows managers to control which channels are displayed on the TV.
See Section 5 *System Options Menu*
- **New Zero (0) Resistance Level:** This new resistance level gives more people the opportunity to enjoy a quality workout, regardless of experience level or physical ability. It also gives the cross-trainer more flexibility for incorporation into injury rehabilitation.
See Section 4.2 *Using the Workouts, Entering Workout Goals, Entering and Adjusting the Intensity Level*.

1.3 SETUP

Read the Operation Manual before setting up the Total Body Trainer.

ELECTRICAL POWER REQUIREMENTS

The Total Body Trainer requires an AC power supply according to the electrical configurations listed in the chart below.

Supply Voltage (VAC)	Frequency (Hz)	Rated Current (Amps)
100	50 / 60	1.6
110	50 / 60	1.6
120	50 / 60	1.6
200	50 / 60	.8
220	50 / 60	.8
230	50 / 60	.8
240	50 / 60	.8

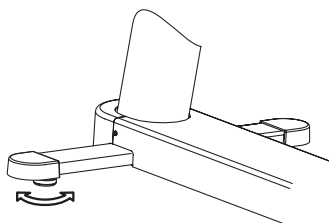
NOTE: Do not modify the plug provided with this product. If the plug does not fit into an available electrical outlet, have a proper outlet installed by a qualified electrician.

WHERE TO PLACE THE TOTAL BODY TRAINER

Following all safety instructions in Section 1.1, move the Total Body Trainer to the location in which it will be used. See Section 7, titled *Specifications*, for the footprint (product dimensions). Allow one foot of clearance in front of the Total Body Trainer to allow for movement of the pedal levers. It should be easy to mount the Total Body Trainer from the side.

HOW TO STABILIZE THE TOTAL BODY TRAINER

After placing the Total Body Trainer in position, check the unit's stability by attempting to rock it. Any slight rocking indicates that the unit must be leveled. Check the front stabilizing feet to determine which foot does not rest fully on the floor. Rotate the foot counter-clockwise to lower it. Recheck the stability and adjust again as needed until the Total Body Trainer is stable and no longer rocks. **Lock the adjustment into position by tightening the jam nut against the stabilizer bar with an open end 17mm wrench.**

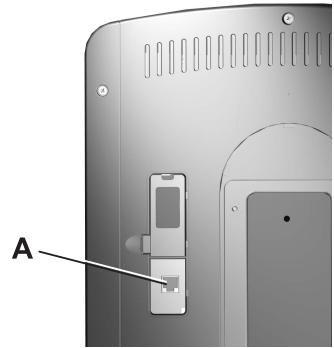


FITNESS NETWORKING

One type RJ45 networking port (A) allows the Total Body Trainer to be connected to a network, such as FitLinxx™ interactive fitness network.

Fitness network: The network connection enables the console to upload user workout statistics to a fitness network database or to download remotely stored information, such as a pre-set workout program. See Section 4.2, titled *Using the Workouts*, for information on logging onto a network.

This port is located on the back of the console and is enclosed by a removable cover. Any use of the port for other than its intended purpose could void the product warranty.



CABLE TV HOOK-UP

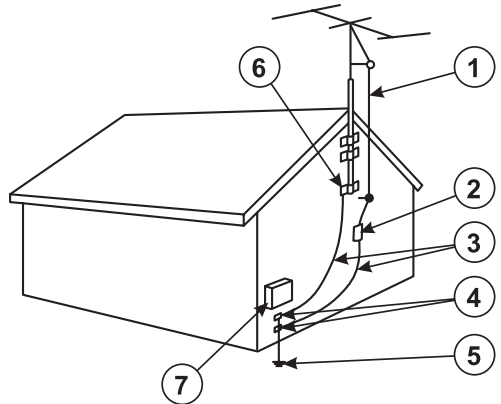
Note to the CATV Installer:

This reminder is provided to call the CATV system installer's attention to Article 820-40 of the NEC that provides guidelines for proper grounding and, in particular, specifies that the cable ground shall be connected to the grounding system of the building as close to the point of cable entry as practical.

Antenna Grounding According to the NEC

Antenna Grounding According to the National Electrical Code, ANSI/NFPA 70.

1. Antenna lead in wire
2. Antenna discharge unit (nec section 810-20)
3. Grounding conductors (nec section 810-21)
4. Ground clamp
5. Power service grounding electrode system (nec article 250, part h)
6. Ground clamp
7. Electric service equipment



NOTE: The TV aspect of the LCD Console can only receive a analog signal. Digital cable must be externally converted to an analog signal.

2 THE DISPLAY CONSOLE

2.1 DISPLAY CONSOLE OVERVIEW

The computerized display console allows the user to tailor a workout to personal fitness abilities and goals and to monitor progress. With this easy-to-use console, the user can track fitness improvement from one workout to the next.

The console consists of two parts:

The Touchscreen Display: The Touchscreen Display (the LCD screen) allows the user to easily choose a workout, set it up, and monitor it.

The Control Panel: The Control Panel consists of the keys on the bottom part of the console housing. These keys allow quick changes to workouts “on the fly,” provide easy access to TV controls, and allow for screen cleaning without activating the Touchscreen Display.



2.2 DISPLAY CONSOLE DESCRIPTIONS

This section lists and describes the functions for the buttons on the Touchscreen Display and the keys on the Control Panel on the Total Body Trainer. See Section 4, titled *The Workouts*, for detailed information on using the console to set up workouts.

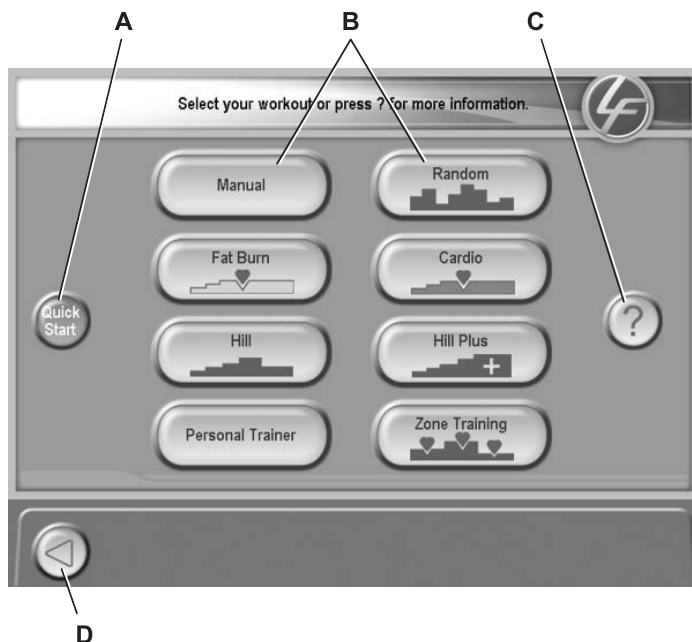
TOUCHSCREEN DISPLAY

The Touchscreen Display allows the user to move from screen to screen by simply selecting buttons to access other screens. The Touchscreen Display enables users to access:

- 1) **WORKOUT SELECTION** — choose a workout.
- 2) **WORKOUT SETUP** — enter workout values and goals.
- 3) **WORKOUT PROGRESS** — monitor progress, edit workout goals, and access TV viewing.

1) WORKOUT SELECTION

Touch the Welcome Screen anywhere to start and enter the Workout Selection screen. Use the Workout Selection screen to choose a workout, access QUICK START, or to access the Help Screens.



- A. QUICK START:** Select this button to enter directly into a workout, bypassing any setup or goal setting. Once started, the user can then make adjustments to the workout. Choose LEVEL to determine the level of intensity, and ENTER WEIGHT so that METs, Watts, and Calories Burned/Calories per Hour can be computed and displayed as workout statistics. (See Workout Progress later in this section for more information on using Aerobics and Reverse Modes.) Select the COOLDOWN button on the Control Panel to enter a Cooldown Phase.

- B. WORKOUT SELECTIONS:** Allows the user to choose from eight different programs. **MANUAL, RANDOM, FAT BURN, CARDIO, AND HILL** lead straight into workout setup screens. **HILL PLUS, ZONE TRAINING, AND PERSONAL TRAINER** give additional workout selections.

Choose **HILL PLUS** for **AROUND THE WORLD, KILAMANJARO, INTERVAL, CASCADES, SPEED TRAINING,** and **FOOTHILLS.**

Choose **ZONE TRAINING** for **HR Hill, HR INTERVAL,** and **EXTREME HR.**

Choose **PERSONAL TRAINER** for **CROSS-TRAIN AEROBICS, CROSS-TRAIN REVERSE,** and **LIFE FITNESS FIT TEST.**

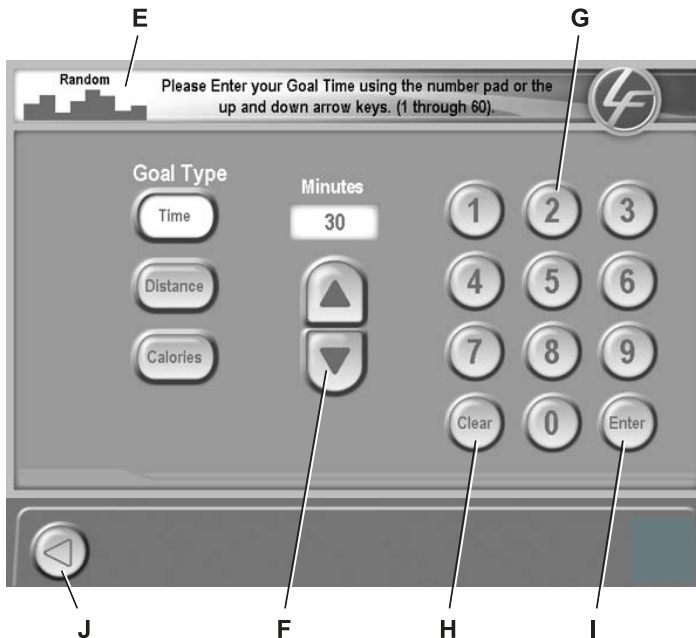
See Section 4.1 *Workout Overviews* for a description of each workout.

Buttons with a heart symbol access workouts that require heart rate monitoring. For more information, see *Workout Profile Window* under *Workout Progress.*

- C. HELP (?):** Select the HELP button to access help buttons for each of the workouts. Use these buttons to get a detailed explanation of each of the workouts.
- D. BACK (<):** Select BACK to move backward one screen.

2) WORKOUT SETUP

WORKOUT SETUP screens are accessed automatically upon selection of a workout program. They allow the user to enter values or to choose a goal for the workout selected. These depend on the workout, but might include goal type (time, distance or calories), level, age, weight, and target heart rate* (for heart rate programs).



- E. MESSAGE AREA:** Shows the user what workout is currently being set up. It also prompts the user for needed information or gives explanations.

* Target Heart Rate (THR) is a percentage of the theoretical maximum. For example, a 40-year-old user's THR for the **CARDIO** workout is 144. This workout targets 80 percent of the maximum, so the equation would be $(220-40) \cdot 80 = 144$.

- F. **ARROW BUTTONS:** Use the UP and DOWN arrows to adjust workout values/goals such as length of workout, weight, age, target heart rate, and intensity level. Press ENTER to record the selection.
- G. **NUMERICAL KEYPAD:** Another way for the user to enter workout parameters. Key in the desired number on the keypad and press ENTER.
- H. **CLEAR:** Clears any entry and returns the default setting.
- I. **ENTER:** Press this button after entering a value to register the value and move to the next screen.
- J. **BACK (◀):** Returns to the previous screen.

TYPES OF WORKOUT SETUP SCREENS

GOAL SETUP SCREENS

- **Goal Type:** The default setting of Goal Type is TIME (length of workout). Allows the user to choose a predetermined length of time for the workout.

Users may also choose a more advanced Goal Type such as DISTANCE, CALORIES, or TIME IN ZONE (only available for heart rate programs).

For Distance, Calories, and Time in Zone, the length of the workout depends on how long it takes to reach the goal. The workout continues until the goal is met. To exit early, either choose COOLDOWN from the Control Panel to go immediately into the Cooldown Phase, or choose CHANGE WORKOUT to access a different program. For more information, see Section 4.2 *Using the Workouts, Selecting a Goal Type.*

For information on how to set, and get maximum benefit from, these type of workout goals consult a Personal Trainer. For further information on Zone Training see section 3.1 of *Heart Rate Zone Training* titled *Why Heart Rate Zone Training Exercise?*

- **Level:** Choose the programmed intensity level of the workout. Levels range from 0 to 25.
- **Target Heart Rate:** (heart rate workouts only) Gives a recommended heart rate* according to age. For **Fat Burn**, the target heart rate is computed at 65% of the theoretical maximum[†] heart rate. For **Cardio**, the target heart rate is computed at 80%. For more information on Target Heart Rate, see Section 3, *Heart Rate Zone Training Exercise.*

VALUE SETUP SCREENS

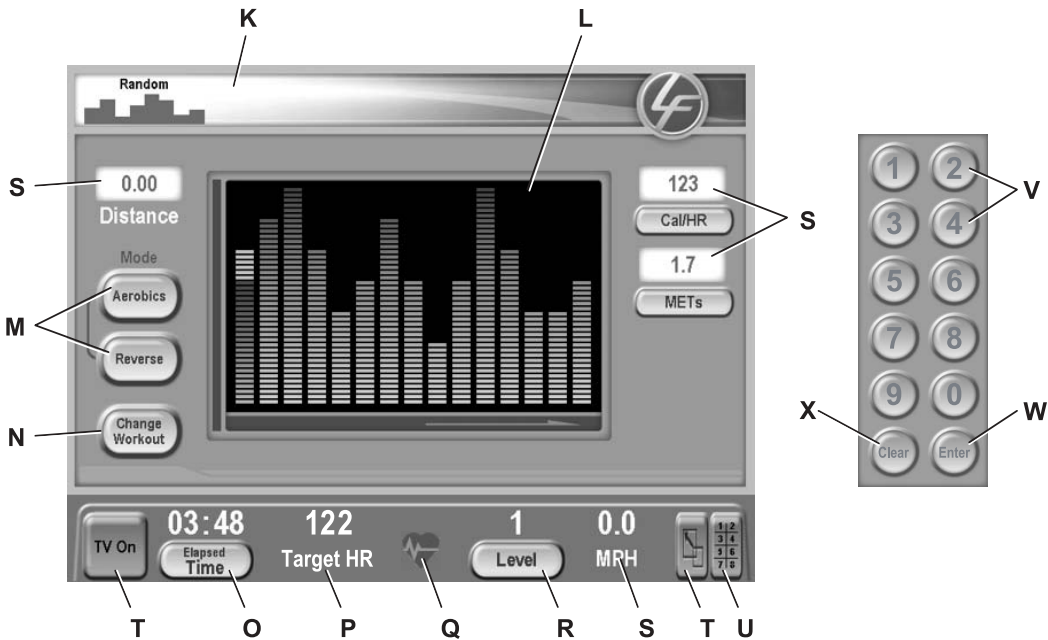
- **Weight:** Entering an accurate weight allows calories to be more accurately calculated, and enables Calories Burned, Calories per Hour, Watts and METs to appear on the Workout Progress screen.
- **Age:** Allows heart programs to accurately determine target heart rate.
- **Gender:** For accurate Fitness Testing.

[†] Defined by the American College of Sports Medicine's "Guidelines for Exercise Testing and Prescription" as equal to 220 minus an individual's age.

* Target Heart Rate (THR) is a percentage of the theoretical maximum. For example, a 40-year-old user's THR for the **FAT BURN** workout is 117. This workout targets 65 percent of the maximum, so the equation would be $(220-40) \times .65 = 117$

3) WORKOUT PROGRESS

The Workout Progress screen opens automatically upon completion of the setup, signaling the user to start the workout. The Workout Progress screen allows the user to monitor the progress of the workout. It provides a visual representation of the workout as it proceeds and monitors Distance, Calories, Watts, METs, Time, Level and Speed (depending on which workout is selected). From here TIME, LEVEL, MODE (Aerobics or Reverse) and TARGET HEART RATE* can be changed at any point during a workout. This screen also allows access to TV viewing.



K. MESSAGE AREA: Shows the user the workout type, prompts the user for needed information, and explains concepts.

L. WORKOUT PROFILE WINDOW: This window displays the levels of intensity in a workout-in-progress as proportional columns. The height of the column furthest to the left is proportional to the current level of intensity. (When the TV is on it covers this window.)

*During a **FAT BURN, CARDIO, HEART RATE HILL, HEART RATE INTERVAL, or EXTREME HEART RATE** workout, which requires the use of a Polar heart rate chest strap or the Lifepulse™ system sensors, the WORKOUT PROFILE window displays a flashing heart shape to request the user's heart rate signal. If the console does not detect a signal, the MESSAGE AREA displays the prompt, "NEED HEART RATE- PLACE HANDS ON LIFEPUULSE SENSORS OR USE TELEMETRY STRAP" and beeps three times. If the console does not receive the signal within three minutes, the workout automatically is converted to a **MANUAL** program.

M. MODE: Use Mode to choose Aerobics Mode or Reverse Mode.

- **AEROBICS:** Select this button to activate a workout mode in which the Message Area displays prompts that vary the workload and emphasize different muscle groups during the workout. It can be used with any workout, except for Fat Burn, Cardio, Heart Rate Hill, Heart Rate Interval or Extreme Heart Rate.

* Target Heart Rate (THR) is a percentage of the theoretical maximum. For example, a 40-year-old user's THR for the **FAT BURN** workout is 117. This workout targets 65 percent of the maximum, so the equation would be $(220-40) \cdot 65 = 117$

- **REVERSE:** Press this key to activate a workout mode that alternates forward motion with reverse motion. It can be used with any workout, except for Fat Burn, Cardio, Heart Rate Hill, Heart Rate Interval or Extreme Heart Rate.
For more information on using modes, see *Selecting a Workout Mode* in Section 4.2, titled, the *Using the Workouts*.

N. CHANGE WORKOUT: Choose this button to go back to the workout selection screen and choose a new workout, or to change a goal type or value, while retaining workout progress. To change workout programs mid-workout, choose the new program, enter any remaining values, and press ENTER. To return to the current workout without making any changes, choose BACK. Select RESET on the workout selection screen to clear all the stored information about the current workout, before changing to a new program.

To adjust a goal type (Calories, Distance, or if in a heart rate program, Time in Zone) or choose a different goal while retaining workout progress, select CHANGE WORKOUT, and then ADJUST GOAL which accesses the goal type screen defaulted to the current goal type and value. To change the goal value, use the arrow buttons or the numerical keypad, change the value, and then select ENTER. To change the goal type, choose a different goal, enter a value and select ENTER.

O. ELAPSED TIME: Use this button to change the length of the workout, or to choose a different view for time. ELAPSED TIME is the default view, but time can also be viewed by REMAINING TIME, or HIDDEN TIME. To change the time view select ELAPSED TIME, choose a different time view and press ENTER.

To change the length of a workout midstream, press the ELAPSED TIME button which also accesses Goal Time. Then use the arrow buttons or the numerical keypad, make the adjustment and select ENTER. (Use the arrow keys on the Control Panel directly underneath ELAPSED TIME to change length of workout time without leaving the Workout Progress Screen.)

NOTE: Changing the length of a workout by using the TIME ELAPSED button has no effect on the time elapsed, which is an ongoing measurement of the time already spent in a workout.

P. TARGET HEART RATE: (for heart rate workouts only) Displays the target heart rate* the user has specified in the workout setup screens. Can be changed anytime during a workout, by using the arrow keys directly below it, or by touching the TARGET HEART RATE button on the Touchscreen and accessing the Target Heart Rate Workout Setup Screen.

Q. ACTUAL HEART RATE: Displays the heart rate if the user grasps the Lifepulse sensors or wears a Polar-compatible heart rate chest strap. **NOTE:** Heart rate can be checked on any of the screens, whether before a workout begins, or during a workout.

R. LEVEL: Displays the programmed intensity level. Select LEVEL and then use the arrow buttons or the numerical pad to make a new selection. Press ENTER. (Use the arrow keys on the Control Panel directly underneath Level to change the level of exertion without leaving the Workout Progress Screen.)

S. WORKOUT STATISTICS: Continually updates the workout progress by showing Distance, Calories Burned (switches between calories burned and calories per hour), Watts/METs, Heart Rate (on any workout if the user is grasping the Lifepulse sensors or wearing a telemetry strap), Target Heart Rate* and MPH (the pedaling speed in miles per hour, or kilometers per hour).

* Target Heart Rate (THR) is a percentage of the theoretical maximum. For example, a 40-year-old user's THR for the **FAT BURN** workout is 117. This workout targets 65 percent of the maximum, so the equation would be $(220-40) \cdot 65 = 117$

Cal/Hr and METs/Watts have buttons beneath the displays which give added functionality. These buttons can be used to lock the display or to force the display to toggle. To lock the display, (for instance, turn off the toggle so only calories burned is displayed) simple press the button once while the desired setting is displayed. To toggle (for instance, if METs is displayed to change the display immediately to Watts) press the button twice in succession.

- T. TV SELECTION: TV ON/OFF accesses the TV, and enables the Channel and Volume keys on the Surrounding Console. TV ZOOM (far bottom right) toggles the user between large and small screen TV viewing.
- U. CHANNEL CONTROLS: Accesses the channel control keypad on the touchscreen.
- V. NUMERICAL KEYPAD: Use to enter a new channel selection.
- W. ENTER: Select this button to change the channel to the new selection.
- X. CLEAR: Clears any entry made, retaining the current channel.

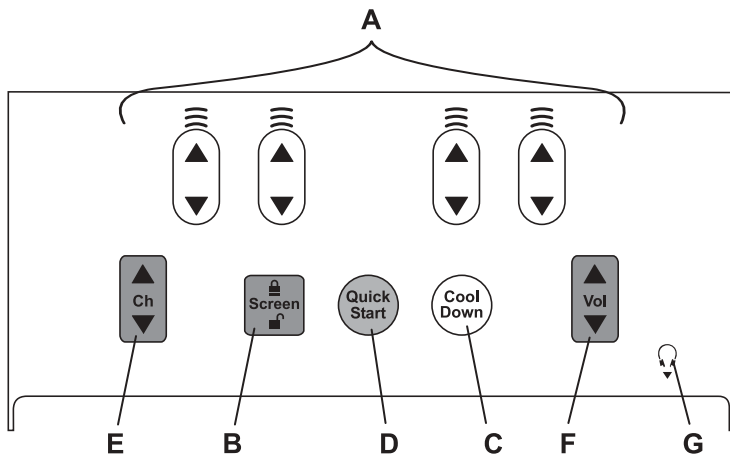
Additional buttons appearing in the Workout Progress Screen for different workouts:

TIME IN ZONE: Displays the accumulated time that the heart rate stays within the selected target zone for a Heart Rate Zone Training workout. See section 3, titled *Heart Rate Zone Training Exercise*, for more information.

ENTER WEIGHT: Appears in the Quick Start workout. Choose ENTER WEIGHT so that METs, Watts, and Calories Burned/Calories per Hour can be computed and displayed as workout statistics.

CONTROL PANEL

The Control Panel allows the user to control workout and TV parameters without leaving the Workout Progress screen. It also provides a quick and easy way for maintenance staff to clean the Touchscreen Display without activating the screen.



- A. ARROW KEYS: When in the workout phase, the UP and DOWN arrow keys are used in combination with the Touchscreen Display. These keys allow the user to make changes to a workout goal during the workout. Each set of arrow keys controls the goal located directly above it on the Touchscreen Display.


* Target Heart Rate (THR) is a percentage of the theoretical maximum. For example, a 40-year-old user's THR for the **FAT BURN** workout is 117. This workout targets 65 percent of the maximum, so the equation would be $(220-40) \cdot 65=117$

Changeable information (i.e. a workout goal) either appears as a button (Time, Level, or Target Heart Rate*) or is accessible through CHANGE WORKOUT, ADJUST GOAL (Calories, Distance, and for heart rate programs Time in Zone). Workout statistics are not changeable.

For example, use the arrow keys under ELAPSED TIME to change the goal time for the session. Workout statistics, such as speed, cannot be changed. As described above, workout goals may also be changed by touching the corresponding button on the Touchscreen Display and accessing the corresponding Workout Setup screens.

- B. SCREEN LOCK/UNLOCK:** (Cannot be used during a workout.) Freezes the screen for the purpose of routine maintenance/ screen cleaning. The screen automatically unlocks after ten seconds. Pressing SCREEN LOCK a second time will unlock it as well.
- C. COOLDOWN:** Workout programs end automatically in a Cooldown Phase, which lowers the intensity level. In this phase of a workout the body begins to remove lactic acid and other accumulated by-products of exercise, which build up in muscles during a workout and contribute to muscle soreness.

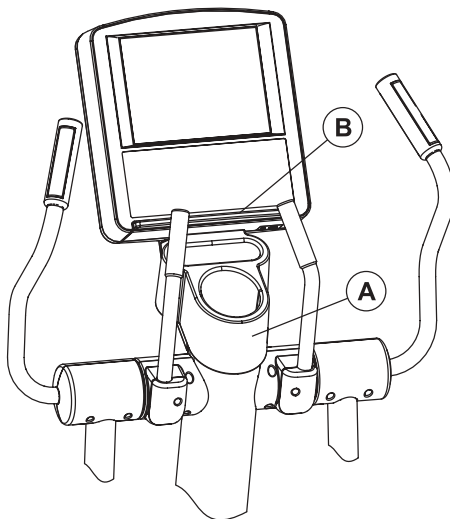
Press the COOLDOWN key to enter the Cooldown stage at any point during the workout. Each workout's Cooldown level is automatically adjusted according to the individual user's performance. (Cooldown times are preset in proportion to the duration of a workout.) The Cooldown time can be changed by using the corresponding arrow keys on the Control Panel. At the end of Cooldown, a workout summary box appears.

- D. QUICK START:** Choose this to enter directly into a workout, bypassing setup screens
- E. VOL:** Volume control for the TV.
- F. CH:** Channel control for the TV.
- G.  :** Headphone jack for sound playback.

NOTE: Headphones are necessary to access the sound for the TV. The jack is located on the Control Panel on the lower right. The jack is a user-replaceable feature. Contact Life Fitness Customer Support Services for more information. (See Section 6.7 "How to Obtain Product Service.")

2.3 THE ACCESSORY TRAY / READING RACK

The accessory tray (A), which is mounted near the base of the console, provides storage for items such as water bottles, personal stereos, and cell phones. Additionally, an integrated reading rack (B) for supporting a book or magazine is located at the base of the upper panel of the console.



3 HEART RATE ZONE TRAINING EXERCISE

3.1 WHY HEART RATE ZONE TRAINING EXERCISE?

Research shows that maintaining a specific heart rate while exercising is the optimal way to monitor the intensity of a workout and to achieve maximum results. That is the idea behind the Life Fitness heart rate zone training approach to exercise.

Zone training identifies an exerciser's ideal heart rate range, or zone, for burning fat or increasing cardiovascular fitness. The values within the zone depend on the workout.

NOTE: Consulting a fitness trainer is recommended for defining specific fitness goals and designing a workout program.

The Total Body Trainer features exclusive workouts designed to take full advantage of the benefits of heart rate zone training exercise: **FAT BURN**, **CARDIO**, **HEART RATE HILL**, **HEART RATE INTERVAL**, and **EXTREME HEART RATE**. The Time in Zone Goal option, another feature of heart rate zone training, enhances these workouts by setting a certain duration within the target zone as a workout goal. For detailed information about the workouts, as well as the Time In Zone Goal option, see Section 4, titled *The Workouts*.

During one of these workouts, grasp the Lifepulse system sensors continuously, or wear the Polar® heart rate chest strap to enable the on-board computer to monitor the heart rate during a workout. The computer automatically adjusts the resistance level to maintain the target heart rate* based on the actual heart rate. To change the target heart rate during a workout, use the Arrow keys on the Control Panel directly under Target Heart Rate*, or use the Target Heart Rate button on the Touchscreen Display to access the Target Heart Rate Set-up window. Use the numerical keypad or the arrow keys to change your selection, select ENTER and continue your workout.

ZONE TRAINING		
FAT BURN = LOW INTENSITY CARDIO = HIGH INTENSITY		
AGE	65%	80%
10	136	168
20	130	160
30	123	152
40	117	144
50	110	136
60	104	128
70	97	120
80	91	112
90	84	104
100	78	96

SUGGESTED TARGET HEART RATE AS % OF MAX ACSM HEART RATE RANGE: 55% - 90%

* Target Heart Rate (THR) is a percentage of the theoretical maximum. For example, a 40-year-old user's THR for the **FAT BURN** workout is 117. This workout targets 65 percent of the maximum, so the equation would be $(220-40) \cdot 65 = 117$

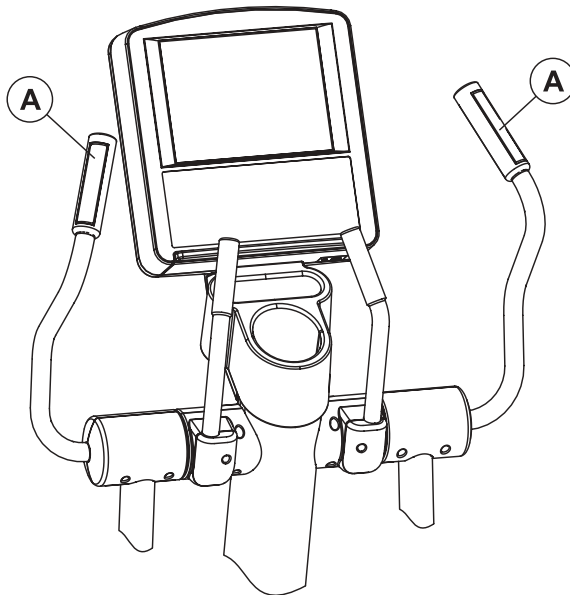
3.2 HEART RATE MONITORING

THE LIFEPULSE™ DIGITAL HEART RATE MONITORING SYSTEM

The patented Lifepulse system sensors are the built-in heart rate monitoring system on the Total Body Trainer. For the most accurate reading possible, during a workout:

- Grasp the sensors (A) firmly.
- Hold each sensors at the vertical midpoint.
- Keep hands steady and in place.

The console displays the heart rate within 10 to 40 seconds after the user grasps the sensors.



* Target Heart Rate (THR) is a percentage of the theoretical maximum. For example, a 40-year-old user's THR for the **FAT BURN** workout is 117. This workout targets 65 percent of the maximum, so the equation would be $(220-40) \cdot 65=117$

THE POLAR® TELEMETRY HEART RATE MONITORING CHEST STRAP

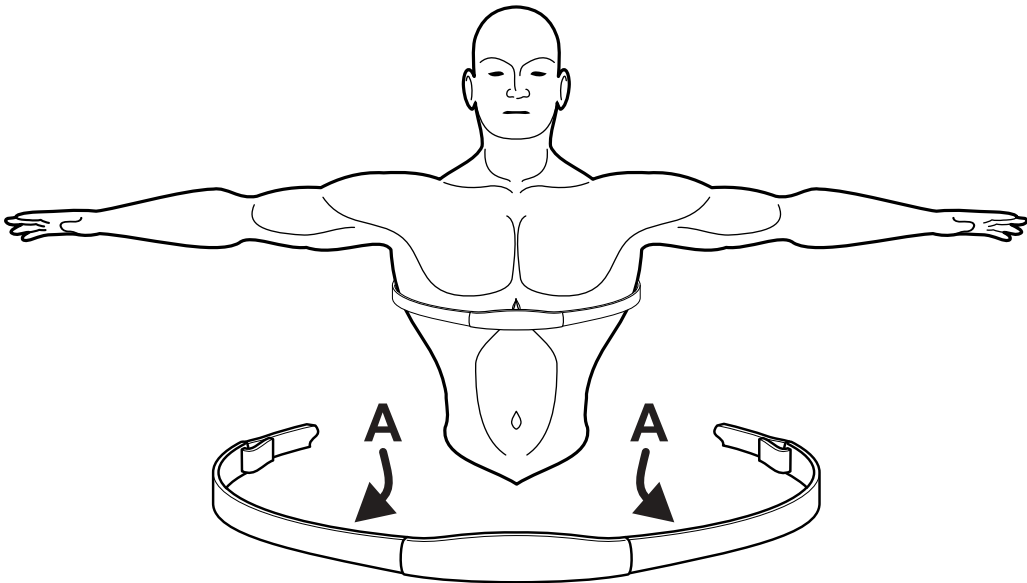
The Total Body Trainer is equipped with Polar® heart rate monitoring system in which electrodes, pressed against the skin, transfer heart rate signals to the console. These electrodes are attached to a chest strap that the user wears during the workout. The chest strap is optional. To order it, call Life Fitness Customer Support Services. See Section 6.5, titled *How to Obtain Product Service*.

See the diagram below for correct positioning of the strap. The electrodes (A), which are the two grooved surfaces on the underside of the strap, must remain wet to transmit accurately the electrical impulses of the heart back to the receiver. Moisten the electrodes. Then, secure the strap as high under the chest muscles as possible. The strap should be snug, but comfortable enough to allow for normal breathing.

The transmitter strap delivers an optimal heart rate reading when the electrodes are in direct contact with skin. However, it also functions properly through a thin layer of wet clothing.

If it becomes necessary to re-moisten the chest strap electrodes, grasp the center of the strap, pull it away from the chest to expose the two electrodes, and moisten them.

NOTE: If the Lifepulse system sensors are grasped while the chest strap is worn, and if the signals from the sensors are valid, the on-board computer uses the sensor signals for calculating the heart rate instead of those transmitted with the chest strap.



4 THE WORKOUTS

4.1 WORKOUT OVERVIEWS

This section lists the Total Body Trainer's pre-programmed workouts. For more detailed information, see Section 4.2, titled *Using the Workouts*.

QUICK START is the fastest way to begin exercising, and it bypasses the steps involved in selecting a specific workout program. After the QUICK START key is pressed, a constant-level workout begins. The intensity level does not change automatically.

MANUAL is a workout in which the intensity level does not change automatically.

FAT BURN is a low-intensity workout for burning the body's fat reserves. The user must wear a Polar heart rate chest strap, or grasp the Lifepulse system sensors continuously. The workout program automatically adjusts the intensity level, based on the actual heart rate, to maintain the rate at 65 percent of the theoretical maximum[†].

HILL is an interval-training workout combining "hills" and "valleys" of different intensity levels, which is proven to provide effective, time-efficient cardiovascular results.

RANDOM is an interval training workout of constantly changing intensity levels that occur in no regular pattern or progression.

CARDIO is a higher intensity workout for more fit users, emphasizing cardiovascular benefits and maximum fat burning. The user must wear a Polar heart rate chest strap, or grasp the Lifepulse system sensors continuously. The workout program automatically adjusts the intensity level, based on the actual heart rate, to maintain the rate at 80 percent of the theoretical maximum[†].

ZONE TRAINING are workouts that target specific ranges, or zones, for maintaining a heart rate to achieve maximum exercise results. Zone Training workouts include:

HEART RATE HILL consists of three hills based on the target heart rate*. The user must grasp the Lifepulse system sensors continuously or wear a heart rate chest strap.

HEART RATE INTERVAL alternates between a hill and a valley based on the target heart rate. The user must grasp the Lifepulse system sensors continuously or wear a heart rate chest strap.

EXTREME HEART RATE alternates between two target heart rate goals as quickly as possible. The effect is similar to that of running sprints. The user must grasp the Lifepulse system sensors continuously or wear a heart rate chest strap.

[†] Defined by the American College of Sports Medicine's "Guidelines for Exercise Testing and Prescription" as equal to 220 minus an individual's age.

* Target Heart Rate (THR) is a percentage of the theoretical maximum. For example, a 40-year-old user's THR for the **HEART RATE HILL** workout is 144. This workout targets 80 percent of the maximum, so the equation would be $(220-40) \times .80 = 144$.

HILL PLUS are workouts in which intensity levels increase and decrease in set patterns. The following workouts may be accessed with this button:

AROUND THE WORLD is an interval-training workout in which the hills resemble scenes of various geographical areas.

FOOTHILLS is a rolling hill workout with low intensity levels.

KILIMANJARO is a Hill workout in which the intensity levels gradually incline toward one ultimate peak and then gradually decline.

INTERVAL is a Hill workout in which intensity levels rise and fall. The higher levels gradually incline toward a peak and then gradually decline.

CASCADES is a two-peak workout in which intensity levels gradually increase and decrease.

SPEED TRAINING is a Hill workout in which the intensity level alternates between high and low levels very quickly to simulate a typical speed-training workout.

PERSONAL TRAINER workouts are customized workouts designed either for the advanced user or to be used in connection with a personal trainer. These workouts include:

CROSS-TRAIN AEROBICS simulates the experience of working with a personal trainer. The user is prompted at different times to emphasize pushing, pulling, total body, lower body, speed changes, and forward/reverse motion. This versatile workout promotes maximum cross-training benefits.

CROSS-TRAIN REVERSE continuously alternates forward motion with backward motion to cross-train different muscle groups.

LIFE FITNESS FIT TEST measures cardiovascular fitness compared to other people of the same age and gender.

4.2 USING THE WORKOUTS

This section provides detailed information on setting up and using workouts. For quick-reference setup steps, see the chart at the end of the section.

1) BEGINNING A WORKOUT

To mount the Total Body Trainer, grasp the handles and carefully step on the pedals. To dismount, step off the pedals while still holding the handles. Then let go of the handles.

Without networking, touch the screen to **START**. The Message Area displays the prompt: "Select your workout or press ? for more information." Choose a workout program to begin.

If equipped with optional networking, touch the screen to **START**. The Message area displays the prompt: "SELECT YOUR WORKOUT, ENTER YOUR NETWORK ID, OR PRESS ? FOR MORE INFORMATION" and an "NETWORK ID" button will appear on the Workout Selection Screen. Select a workout, or log on to the networked exercise database and download the preset workout.

To log onto the network, press **NETWORK ID** and key in the user ID number with the **NUMERIC KEYPAD**. Press **ENTER**.

SELECTING AND USING QUICK START

QUICK START is the fastest way to begin exercising, and it bypasses the steps of selecting a specific workout program. On the start screen press the **QUICK START** button. The workout begins at an intensity level that remains the same unless manually changed. Choose **ENTER WEIGHT** so that **METs**, **Watts**, and **Calories Burned/Calories per Hour** can be computed and displayed as workout statistics.

2) SELECTING A WORKOUT

When prompted to select a workout, select the desired workout button. The touchscreen will then bring up the corresponding Workout Setup Screens which include level, age, weight, target heart rate*, Watts and METs. Press ENTER after each selection to record it. After values are set, the workout progress screen appears and the workout begins.

For **MANUAL, FAT BURN, HILL, RANDOM,** and **CARDIO** choose the corresponding button to enter directly into the workout setup screens.

For **HEART RATE HILL, HEART RATE INTERVAL,** and **EXTREME HEART RATE** choose **ZONE TRAINING** and then make a selection.

For **WATTS, METS, CROSS-TRAIN AEROBICS, CROSS-TRAIN REVERSE,** and **LIFE FITNESS FIT TEST** choose **PERSONAL TRAINER** and then make a selection.

For **AROUND THE WORLD, KILIMANJARO, INTERVAL, CASCADES, SPEED TRAINING,** and **FOOTHILLS** select **HILL PLUS** and then make a selection.

3) ENTERING WORKOUT GOALS

SELECTING A GOAL TYPE

Goal Type defaults to TIME (length of workout). When prompted to enter a Goal Time, use the ARROW KEYS to increase or decrease the displayed time to the desired value, or key in the desired value with the NUMERIC KEYPAD, and press ENTER.

Workouts can be programmed to target certain types of goals other than the default time goal:

- Distance
- Calories
- Time in zone (for heart rate workouts only)

The **Distance Goal** feature is designed to build endurance. The user sets a distance goal during the workout setup. Once the goal is met, the workout automatically goes into a Cooldown Phase and ends afterward. To use this feature:

1. Select a workout (the distance goal is available for any of the workouts.)
2. In the Goal Type setup screen, choose DISTANCE, enter the desired distance goal, and select ENTER.
3. Finish the setup steps for the selected workout.
4. Begin the workout.

The **Calories Goal** feature is designed to promote weight loss and weight control. The user sets a calorie goal during the workout setup. Once the goal is met, the workout automatically goes into a Cooldown Phase and ends afterward. To use this feature:

1. Select a workout (the calorie goal is available for any of the workouts.)
2. In the Goal Time setup screen, choose CALORIES, enter the desired calorie goal, and select ENTER.
3. Finish the setup steps for the selected workout.
4. Begin the workout.

The **Time in Zone** goal enhances a heart rate workout by setting a certain duration within the target heart rate* as a workout goal. The program automatically alters the resistance to maintain a pace that will meet that objective within that duration. Once the objective is met, the workout automatically goes into a Cooldown Phase. To use the Time In Zone Goal feature:

1. Select either **FAT BURN, CARDIO**, or any of the Zone Training workouts including **HEART RATE HILL, HEART RATE INTERVAL, or EXTREME HEART RATE**.
2. In the Goal Time setup screen, choose **TIME IN ZONE**, enter the desired amount of time, and select **ENTER**.
3. Finish the setup steps for the selected workout.
4. Begin the workout.

NOTE: Time in Zone is directly correlated to fitness level. Since the program will continue to increase resistance until the goal is met, it may be wise to start low and work towards a higher goal. Choose **COOLDOWN** at any time, to exit the workout and immediately enter a Cooldown Phase.

For help setting Time in Zone goals, consult a personal trainer. For more information on Heart Rate Zone Training, see Section 3.1 *Why Heart Rate Zone Training?*

SELECTING AND ADJUSTING THE INTENSITY LEVEL

When prompted, use the **ARROW** keys to increase or decrease the displayed intensity level or target heart rate* to the desired value, or choose the desired value with the **NUMERIC KEYPAD**, and press **ENTER**. Adjust the level as needed or desired during the workout.

- Intensity level: The Total Body Trainer provides a selection of 26 intensity levels (0 to 25). The resistance is independent of speed. The Workout Profile Window displays the levels of intensity in a workout-in-progress as proportional columns. The height of the column furthest to the left is proportional to the current level of intensity. Selecting a low intensity level at first is recommended. As physical conditioning improves, the levels can increase.
- Target heart rate: Programs that calculate a target heart rate* base this number on the age of the user and the type of workout. The user accepts or adjusts the rate when setting up the workout. During the workout itself, the program reads the heart rate, which is transmitted via the Polar heart rate chest strap or the Lifepulse system sensors; and it uses this data to adjust the resistance. Manually raising the rate increases the intensity of the cardiovascular exercise.

4) ENTERING WORKOUT VALUES

AGE: When prompted to enter Age, use the **ARROW KEYS** to increase or decrease the displayed age to the correct value, or key in the correct value with the **NUMERIC KEYPAD**, and press **ENTER**.

Total Body Trainer workout programs that set a target heart rate* zone first calculate the user's theoretical maximum heart rate[†] by subtracting the user's age from the number 220. The programs then calculate the target zone as a percentage of the theoretical maximum.

WEIGHT: Select weight and press enter. Entering an accurate weight allows for a more accurate calorie calculation and for Watts and METs to be computed and displayed.

GENDER: Select gender and press enter. (Only used for the Fitness Testing workouts)

[†] Defined by the American College of Sports Medicine's "Guidelines for Exercise Testing and Prescription" as equal to 220 minus an individual's age.

* Target Heart Rate (THR) is a percentage of the theoretical maximum. For example, a 40-year-old user's THR for the **FAT BURN** workout is 117. This workout targets 65 percent of the maximum, so the equation would be $(220-40) \times .65 = 117$.

5) SELECTING A WORKOUT MODE

Aerobics and Reverse Modes provide another option for varying workouts. **NOTE:** Aerobics and Reverse Mode are not available on any of the heart rate workouts.

- **Aerobics Mode:** A workout mode in which the Message Area displays prompts that vary the workload and emphasize different muscle groups during the workout. To select Aerobics Mode, under Mode press the AEROBICS button.
- **Reverse Mode:** This workout mode alternates forward motion with reverse motion. To select Reverse Mode, under Mode press the REVERSE button. For more detailed information, see Section 4.3 *Workout Descriptions, Cross-Train Reverse*.

To use the mode feature during a workout:

1. Select any program that does NOT require a heart rate measurement.
2. Set up the program through the setup screens.
3. Begin the workout.
4. On the workout progress screen, beneath Mode, choose AEROBICS or REVERSE. The message center will signal you that you have entered Aerobics or Reverse mode.
5. Continue the workout.
6. To exit the mode feature mid-workout, select the button again for the mode currently being used to deselect it. To change modes mid-workout, select the alternate mode button.

6) CHANGING/ENDING WORKOUTS

SWITCHING WORKOUTS “ON-THE-FLY”

It is possible during a workout, to switch to another workout program. After a switch, the console retains all the progress information about the workout since its beginning. To change workouts “on the fly,” simply press CHANGE WORKOUT and then choose a new workout. To switch to a new workout, and restart the progress information, choose CHANGE WORKOUT and then RESET.

NOTE: All workouts can be switched “on-the-fly” (retaining progress information) except for Hill Plus workouts. To change from a Hill Plus workout to another workout, the user must select CHANGE WORKOUT and RESET (losing workout progress).

CHANGING WORKOUT GOALS DURING A WORKOUT

It is possible during a workout, to change a workout goal (Time, Distance, Calories, and Time in Zone for heart rate programs). To adjust a goal type or choose a different goal, select Change Workout, and then ADJUST GOAL which accesses the goal type screen defaulted to the current goal type and value. To change the goal value, use the arrow buttons or the numerical keypad, change the value, and then select Enter. To change the goal type, choose a different goal, enter a value, and select ENTER. After the switch, the console retains all the progress information about the workout since its beginning.

PAUSING WORKOUTS

To pause a workout, simply stop pedaling. An EXIT WORKOUT button appears. Selecting EXIT WORKOUT takes the user out of the workout, back to the Welcome Screen. To continue the workout, resume pedaling. The pause duration defaults to 1 minute (configurable by the manager), after which, the console returns to the Welcome Screen.

4.3 WORKOUT DESCRIPTIONS

QUICK START

QUICK START is the fastest way to begin exercising, and it bypasses the steps of selecting a specific workout program. The intensity level for the workout is set automatically and remains the same unless manually changed. To change the level and stay in the Workout Progress screen, press the UP or DOWN ARROW KEYS on the Control Panel, corresponding to the LEVEL button. Level can also be changed by touching the LEVEL button on the Touchscreen Display, and then changing the level using the arrow buttons or the numeric keypad and pressing ENTER.

For METs, Watts, Calories Burned, and Calories per Hour to be computed and displayed during a workout, select the ENTER WEIGHT button which is required to calculate these values. Using the ARROW KEYS, increase or decrease the displayed weight to the correct value, or enter weight using the NUMERIC keypad, and press ENTER to register.

MANUAL

The **MANUAL** program sets an intensity level that does not change automatically. While the workout is in progress, increase or lower the intensity level as desired, using the arrow keys.

RANDOM

The **RANDOM** program creates a terrain of hills and valleys that varies with each workout. More than one million different patterns are possible. Because workout levels are greater in this workout than in the HILL workout, it is recommended that the RANDOM workout be set one or two levels lower than the workout level which would normally be selected in the HILL workout.

FAT BURN

The **FAT BURN** workout is designed to maintain a user's heart rate at 65 percent of the theoretical maximum[†] for optimal results. Throughout the workout, the user wears a Polar heart rate chest strap or grips the Lifepulse system sensors. If the user is not wearing a chest strap or grasping the sensors, the WORKOUT PROFILE window displays a heart shape, and the display prompts the user to grip the sensors. The console continuously monitors and displays the heart rate, adjusting the intensity level of the Total Body Trainer to reach and maintain the target*. This system eliminates over- and under-training, and it maximizes the aerobic benefits of exercise by using the body's fat stores for fuel.

CARDIO

The **CARDIO** workout is virtually identical to **FAT BURN**; however the target heart rate** is calculated at 80 percent of the theoretical maximum. The user wears a chest strap or grips the Lifepulse system sensors. The higher target promotes cardiovascular improvement by placing a heavier workload on the heart muscle.

[†] Defined by the American College of Sports Medicine's "Guidelines for Exercise Testing and Prescription" as equal to 220 minus an individual's age.

* Target Heart Rate (THR) is a percentage of the theoretical maximum (HRmax). A 40-year-old user's recommended THR for the FAT BURN workout is 117, or 65 percent of the maximum, so the equation would be $(220-40) \cdot 65 = 117$.

** Target Heart Rate (THR) is a percentage of the theoretical maximum (HRmax). A 40-year-old user's recommended THR for the CARDIO workout is 144, or 80 percent of the maximum; so the equation would be $(220-40) \cdot 80 = 144$.

TOTAL BODY TRAINER WORKOUT SETUP STEPS

NOTE: AFTER ENTERING A VALUE (AGE, WEIGHT, HEIGHT, GENDER) OR A GOAL (TIME, LEVEL, THR), PRESS ENTER TO REGISTER THE SELECTION.

<p>QUICK START Select QUICK START Begin workout Modify level Enter weight if desired</p> <p>RANDOM Select RANDOM Enter weight Enter goal type and value Select level Begin workout</p> <p>MANUAL Select MANUAL Enter weight Enter goal type and value Select level Begin workout</p> <p>FAT BURN* Select FAT BURN Enter weight Enter goal type and value Enter age Accept THR** Begin workout</p> <p>HILL Select HILL Enter weight Enter goal type and value Select level Begin workout</p> <p>CARDIO* Select CARDIO Enter weight Enter goal type and value Enter age Accept THR** Begin workout</p>	<p>CHOOSE PERSONAL TRAINER TO ACCESS ANY OF THE FOLLOWING:</p> <p>CROSS-TRAIN REVERSE Select CROSS-TRAIN REVERSE Enter weight Enter goal type and value Select level Begin workout</p> <p>CROSS-TRAIN AEROBICS Select CROSS-TRAIN AEROBICS Enter weight Enter goal type and value Select level Begin workout</p> <p>LIFE FITNESS FIT TEST** Select FIT TEST Enter weight Enter age Enter gender Enter level Begin workout</p>	<p>CHOOSE HILL PLUS TO ACCESS ANY OF THE FOLLOWING:</p> <p>AROUND THE WORLD Select AROUND THE WORLD Enter weight Enter goal type and value Select level Begin workout</p> <p>KILAMANJARO Select KILIMANJARO Enter weight Enter goal type and value Select level Begin workout</p> <p>INTERVAL Select INTERVAL Enter weight Enter goal type and value Select level Begin workout</p> <p>CASCADES Select CASCADES Enter weight Enter goal type and value Select level Begin workout</p> <p>SPEED TRAINING Select SPEED TRAINING Enter weight Enter goal type and value Select level Begin workout</p> <p>FOOTHILLS Press FOOTHILLS Enter weight Enter goal type and value Select level Begin workout</p>	<p>CHOOSE ZONE TRAINING TO ACCESS ANY OF THE FOLLOWING:</p> <p>HEART RATE HILL* Select HEART RATE HILL Enter weight Enter time Enter age Accept THR** Begin workout</p> <p>HEART RATE INTERVAL* Select HEART RATE INTERVAL Enter weight Enter time Enter age Accept THR** Begin workout</p> <p>EXTREME HEART RATE* Select EXTREME HEART RATE Enter weight Enter time Enter age Accept THR** Begin workout</p>
---	---	---	---

* This workout requires the user to wear the polar heart rate chest strap or the grip the Life pulse sensors.

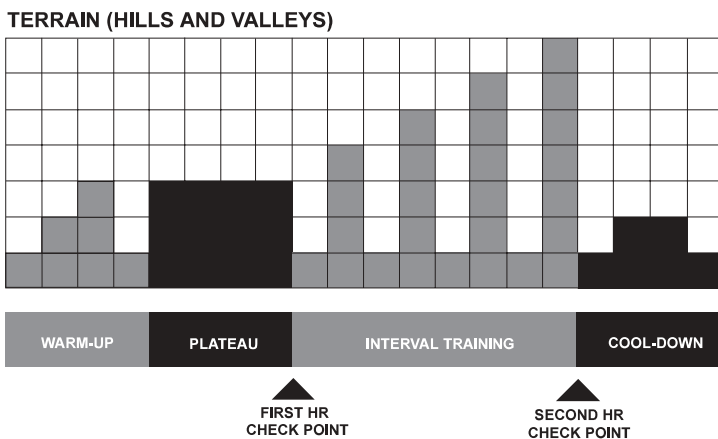
** Target Heart Rate (THR) is a percentage of the theoretical maximum. A 40-year-old user's THR for the **FAT BURN** workout is 117. This workout targets 65 percent of the maximum, so the equation would be $(220-40) \times .65 = 117$.

HILL

The Life Fitness-patented **HILL** workout offers a variety of configurations for interval training. Intervals are periods of intense aerobic exercise separated by regular periods of lower-intensity exercise. The **WORKOUT PROFILE** window represents these high and low intervals as columns of light, which together have the appearance of hills and valleys. The computerized interval training workout has been scientifically demonstrated to promote greater cardio-respiratory improvement than steady-pace training.

Each **HILL** workout goes through four phases, each marked by different intensity levels. The **WORKOUT PROFILE** window displays the progress of these phases, as seen in the chart following these descriptions below. As noted in the descriptions, the heart rate should be measured at two stages in the workout to gauge its effectiveness. To do so, wear the chest strap or continuously grip the Lifepulse system sensors. Note that the message area does not display a request for a heart rate measurement during a **HILL** workout.

- 1 **Warm-up** is a phase of low, gradually-rising resistance, which brings the heart rate into the lower end of the target zone and increases respiration and blood flow to working muscles.
- 2 **Plateau** increases the intensity slightly, and keeps it steady, to bring the heart rate to the low end of the target zone. Check the heart rate at the end of this phase.
- 3 **Interval Training** is a series of increasingly steeper hills, alternating with valleys (or periods of recovery). The heart rate should rise to the high end of the target zone. Check the heart rate at the end of this phase.
- 4 **Cool-down** is a low-intensity phase that allows the body to begin removing lactic acid and other exercise by-products, which build up in muscles and contribute to soreness.



Each column, as seen in the **WORKOUT PROFILE** window and the chart above, represents one interval. The overall duration of the workout determines the length of each interval. Each workout is made up of 20 intervals, so the duration of each interval is equal to the duration of the entire workout divided by 20.

10 to 19 minutes: The interval durations initially are set at 30 seconds for a 10-minute workout. For every minute added by the user "on the fly," each interval increases by three seconds. A 15-minute workout consists of 20 intervals at 45 seconds each.

20 to 99 minutes: All intervals last 60 seconds. If the user adds minutes to the pre-set duration while the workout is in progress, the program adds hills and valleys that are identical to the first eight intervals of the Interval Training phase. This pattern repeats until the workout is completed.

HILL PLUS

The Life Fitness patented HILL PLUS workouts give even more ways to vary interval training. Based on the same principles as the HILL workout, Hill Plus workouts are customized to resemble different locations/training scenarios to add variety and challenge to Hill workouts

1) AROUND THE WORLD

An interval-training workout in which the hills resemble scenes of various geographical areas.

2) CASCADES

A two-peak workout in which intensity levels gradually increase and decrease.

3) FOOTHILLS

A rolling hill workout with low intensity levels.

4) INTERVAL

A Hill workout in which intensity levels rise and fall. The higher levels gradually incline toward a peak and then gradually decline.

5) KILIMANJARO

A Hill workout in which the intensity levels gradually incline toward one ultimate peak and then gradually decline.

6) SPEED TRAINING

A Hill workout in which the intensity level alternates between high and low levels very quickly to simulate a typical speed-training workout.

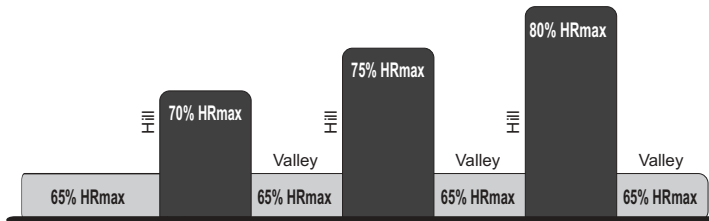
ZONE TRAINING

Zone Training workouts target specific ranges, or zones, for maintaining a heart rate to achieve maximum exercise results.

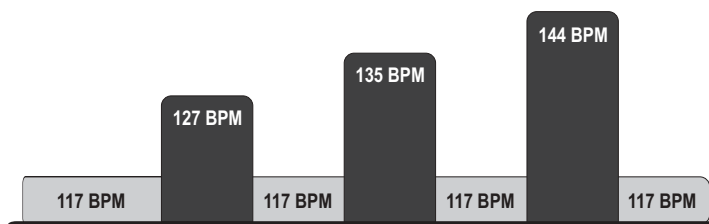
1) HEART RATE HILL™

This program combines the standard **HILL** workout profile with the concept of Heart Rate Zone Training. The default target heart rate* is calculated as 80 percent of the theoretical maximum† (HRmax), but the user can adjust the target rate during the workout setup. All hills and valleys are percentages of HRmax. The workout consists of three hills that target three heart rate goals: The first hill brings the heart rate to 70 percent of HRmax. The second hill increases the rate to 75 percent of HRmax. The third hill matches the Target Heart Rate bringing the heart rate to 80 percent of HRmax. The valley always is defined as 65 percent of HRmax.

After a standard three-minute warm-up, the workout progresses toward the first hill and heart rate goal. Once the user reaches 70 percent of HRmax, the hill continues for one minute. When the minute expires, the level decreases into a valley. Once the user's heart rate falls to 65 percent of HRmax, the valley continues for one minute. Then the next hill begins with its corresponding heart rate goal. After the user completes the third hill/valley pair, the program returns to the first hill and repeats the cycle as long as the duration allows. At the end of the duration, the workout goes into a Cooldown Phase. If the heart rate goes above the theoretical maximum for more than 45 seconds, the cross-trainer automatically goes into pause mode. The program does not proceed to a new heart rate goal until the user reaches the current goal. The user must wear a heart rate chest strap or grip the Lifepulse sensors throughout the workout.



HEART RATE HILL Workout Profile



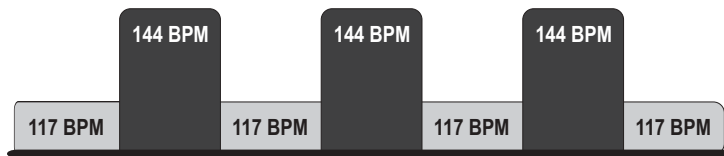
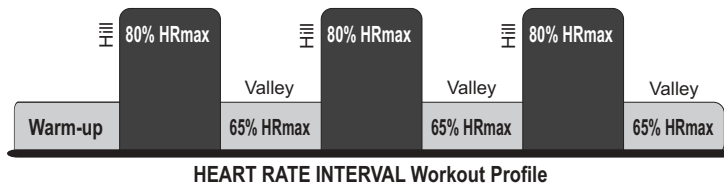
User Example: 80 percent of theoretical maximum (HRmax) (40 year old / 144 recommended BPM)

† Defined by the American College of Sports Medicine's "Guidelines for Exercise Testing and Prescription" as equal to 220 minus an individual's age.

* Target Heart Rate (THR) is a percentage of the theoretical maximum (HRmax). A 40-year-old user's recommended THR for the HEART RATE HILL workout is 144, or 80 percent of the maximum; so the equation would be $(220-40) \cdot 80 = 144$.

2) HEART RATE INTERVAL™

This program also combines the standard **HILL** workout profile with the concept of Heart Rate Zone Training. The default target heart rate* is calculated as 80 percent of the theoretical maximum† (HRmax), but the user can adjust the target rate during the workout setup. The workout alternates between a hill, which brings the heart rate up to the target rate of 80 percent of HRmax, and a valley, which brings the heart rate down to 65 percent of HRmax. After a standard three-minute warm-up, the workout progresses toward the first hill and heart rate goal. Once the goal is reached, the hill continues for three minutes. Then the level decreases into a valley. Once the 65 percent of HRmax goal is reached, the valley continues for three minutes, after which the next hill begins. The user's fitness level determines the number of hills and valleys encountered within the duration. At the end of the duration, the workout goes into a Cooldown Phase. If the heart rate goes above the theoretical maximum† for more than 45 seconds, the cross-trainer automatically goes into pause mode. The program does not proceed to a new heart rate goal until the user reaches the current goal. The user must wear a heart rate chest strap or grip the Lifepulse sensors throughout the workout.



User Example: 80 percent of theoretical maximum (HRmax) (40 year old / 144 recommended BPM)

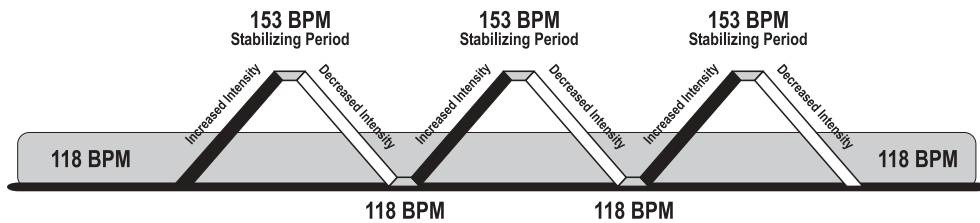
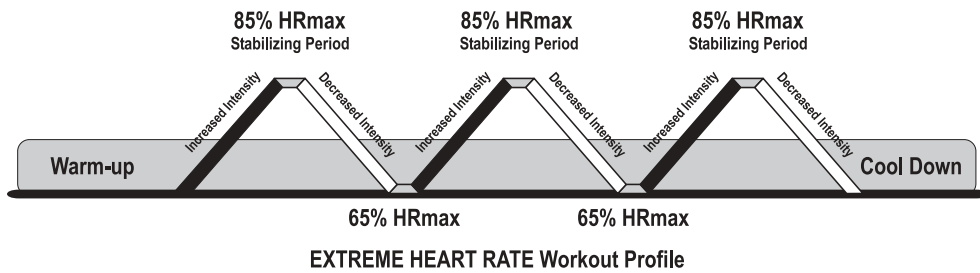
† Defined by the American College of Sports Medicine's "Guidelines for Exercise Testing and Prescription" as equal to 220 minus an individual's age.

* Target Heart Rate (THR) is a percentage of the theoretical maximum (HRmax). A 40-year-old user's recommended THR for the HEART RATE INTERVAL workout is 144, or 80 percent of the maximum; so the equation would be $(220-40) \cdot 80 = 144$.

EXTREME HEART RATE™

This intense, varied workout is designed to help more experienced users break through fitness improvement plateaus. The workout alternates between two target heart rates* as quickly as possible. The effect is similar to that of running sprints. The user must wear a chest strap or grip the Lifepulse™ sensors throughout the workout.

When setting up the workout, the user enters a target heart rate. After a standard three-minute warm-up, the intensity increases, until the user reaches the target heart rate goal of 85 percent of the theoretical maximum† (HRmax). That target rate is maintained for a stabilizing period. Then, the intensity decreases. When the heart rate falls to the 65 percent of HRmax goal, it is maintained there for a stabilizing period. The program repeats the alternating of intensity levels, continuing this pattern throughout the duration. The program does not proceed to a new heart rate goal until the user reaches the current goal.



User Example 85 percent of theoretical maximum (HRmax) (40 year old / 153 recommended BPM)

† Defined by the American College of Sports Medicine's "Guidelines for Exercise Testing and Prescription" as equal to 220 minus an individual's age.

* Target Heart Rate (THR) is a percentage of the theoretical maximum (HRmax). For example, a 40-year-old user's recommended THR for the EXTREME HEART RATE™ WORKOUT is 153. The workout program targets a standard 85 percent of the maximum, so the equation would be $(220-40) \cdot 85 = 153$.

PERSONAL TRAINER

Personal Trainer workouts are customized workouts designed either for the advanced user or to be used in connection with a personal trainer.

1) CROSS-TRAIN AEROBICS

During this workout, the unit prompts the user to emphasize different muscle groups. To emphasize upper-body muscles, the user is prompted to focus on pushing and pulling the moving arms at various times. To emphasize lower-body muscles, the user is prompted to rest the hands on the stationary handlebar, thus forcing the legs to do all the work. The program also alternates between forward and reverse motion as well as different speeds.

Ten seconds after prompting the user to change pedaling direction, the workout applies "braking resistance," that is, a high resistance level that essentially forces the user to stop pedaling. Once the user stops pedaling, the workout resumes the normal resistance level. The actual level of braking resistance depends on the user's pedaling speed. If the user is pedaling at a rate equal to, or faster than 6.2 mph (10.0 km/h), the workout applies the maximum level of braking resistance. If the user is pedaling at a speed below 6.2 mph (10.0 km/h), the workout applies 92 percent of the maximum.

CROSS-TRAIN AEROBICS is a constant-resistance workout. However, for a similar experience with a variable-resistance-level workout, the user can start any workout (except for Fat Burn, Cardio, Heart Rate Hill, Heart Rate Interval, or Extreme Heart Rate) and then under Mode select AEROBICS.

2) CROSS-TRAIN REVERSE

This workout features alternating periods of pedaling forward and pedaling backwards. If the user chooses a workout duration 14 minutes or above, the unit displays alternating prompts to pedal forward for five minutes and then backward for two minutes. If the user selects a goal of 13 minutes or below, the unit display prompts the user to pedal forward for two minutes and then backward for one minute. If the user selects a goal other than time (distance or calorie), the program uses the default setting of prompting forward motion for five minutes and reverse for two minutes.

This feature varies the emphasis on different leg muscles. Ten seconds after prompting the user to change pedaling direction, the workout applies "braking resistance," that is, a high resistance level that essentially forces the user to stop pedaling. Once the user stops pedaling, the workout resumes the normal resistance level. The actual level of braking resistance depends on the user's pedaling SPEED. If the user is pedaling at a rate equal to, or faster than, 6.2 mph (10.0 km/h), the workout applies the maximum level of braking resistance. If the user is pedaling at a speed below 6.2 mph (10.0 km/h), the workout applies 92 percent of the maximum.

CROSS-TRAIN REVERSE is a constant-resistance workout. However, for a similar experience with a variable-resistance-level workout, the user can start any workout (except for Fat Burn, Cardio, Heart Rate Hill, Heart Rate Interval, or Extreme Heart Rate) and then under mode select REVERSE.

3) LIFE FITNESS FIT TEST

The Life Fitness Fit Test program is another exclusive feature of this versatile cross-trainer. The Life Fitness Fit Test measures cardiovascular fitness and can be used to monitor improvements in endurance every four to six weeks. The user must grasp the hand sensors when prompted or wear a heart rate chest strap, as the test score calculation is based on a heart rate reading. The workout duration will be five minutes at the chosen resistance level. Immediately afterward, the console will take the user's heart rate reading, calculate a fitness score, and display the score in a results window.

The Fit Test is considered to be a submax VO₂ (volume of oxygen) test. It gauges how well the heart supplies oxygenated blood to the exercising muscles, and how efficiently those muscles receive oxygen from the blood. Physicians and exercise physiologists generally regard this test as a good measure of aerobic capacity.

To set up the Fit Test:

- Choose PERSONAL TRAINER, then LIFE FITNESS FIT TEST.
- Go through the setup screens for the Fit Test, including WEIGHT, AGE, AND GENDER. Press Enter after each selection to record the entry.
- Choose a workout level (ENTER LEVEL). Consult the following recommended fit test level chart for an appropriate effort level based on your age, gender and activity level. Use the NUMERIC BUTTONS or UP/DOWN ARROW BUTTONS to enter the corresponding level.
- As the test continues, a message will prompt the user to maintain a pedaling rate of 50-60 rpm (equivalent to 4.2-5.5 mph). The user must maintain this rate throughout the 5-minute test duration. After 16 seconds, if this speed is not maintained, the fit test will automatically terminate.

After the five-minute FIT TEST is completed, a FIT TEST score will be displayed.

FIT TEST PROGRAM SUGGESTED EXERTION LEVELS

	Inactive	Active	Very Active
Cross-trainer Fit Test Level	L2-4 men	L3-10 men	L7-15 men
	L1-2 women	L2-5 women	L3-10 women

Suggested exertion levels should be used as a guideline for setting up the Fit Test program. The goal is to elevate the user's heart rate to a level that is between 60%-85% of their theoretical maximum heart rate (220-age).

Within each suggested range, these additional guidelines can be used:

Lower Half of Range	Upper Half of Range
higher age	lower age
lower weight	higher weight*
shorter	taller

* In cases of excessive weight, use lower half of range.

The computer will not accept:

- heart rates less than 52 or greater than 200 beats per minute
- body weights less than 75 pounds (34 kg) or greater than 400 pounds (182 kg)
- ages below 10 or over 99 years
- data input that exceeds human potential

If an error is made when entering any Fit Test data, correct it by pressing CLEAR, inputting the correct information, and pressing ENTER.

It is important to take the Fit Test under similar circumstances each time. Heart rate is dependent on many factors, including:

- amount of sleep the previous night (at least seven hours is recommended)
- time of day
- time of last meal (two to four hours after the last meal is recommended)
- time of last beverage containing caffeine or alcohol, or of a cigarette (at least four hours is recommended)
- time since last exercise (at least six hours is recommended)

For the most accurate Fit Test results, perform the Fit Test on three consecutive days and average the three scores.

NOTE: To receive a proper Fit Test score, the work done must be within a training heart rate zone that is 60 percent to 85 percent of the theoretical maximum heart rate. This rate is defined by the American College of Sports Medicine's "Guidelines for Exercise Testing and Prescription" as equal to 220 minus an individual's age.

The tables below list fit test results.

RELATIVE FITNESS CLASSIFICATION FOR MEN

Men	Estimated VO2 Max (ml/kg/min) Per Age Category				
Rating	20-29	30-39	40-49	50-59	60+
Elite	52+	51+	48+	45+	42+
Excellent	50-51	48-50	46-47	42-44	39-41
Very Good	47-49	45-47	43-45	40-41	36-38
Above Average	44-46	42-44	40-42	37-39	33-35
Average	41-43	39-41	37-39	34-36	30-32
Below Average	38-40	36-38	34-36	31-33	27-29
Low	35-37	33-35	31-33	28-30	24-26
Very Low	<35	<33	<31	<28	<24

RELATIVE FITNESS CLASSIFICATION FOR WOMEN

Women	Estimated VO2 Max (ml/kg/min) Per Age Category				
Rating	20-29	30-39	40-49	50-59	60+
Elite	44+	42+	39+	35+	34+
Excellent	42-43	40-41	37-38	33-34	32-33
Very Good	39-41	37-39	35-36	31-32	30-31
Above Average	37-38	35-36	32-34	29-30	28-29
Average	34-36	32-34	30-31	27-28	25-27
Below Average	31-33	29-31	27-29	25-26	23-24
Low	28-30	27-28	25-26	22-24	20-22
Very Low	<28	<27	<25	<22	<20

Life Fitness developed this rating scale based on VO2 max percentile distributions referenced in *American College of Sports Medicine's "Guidelines for Exercise Testing and Prescription"* (6th Ed. 2000). It is designed to provide a qualitative description of a user's VO2 max estimation, and a means of assessing initial fitness level and tracking improvement.

5 SYSTEM OPTIONS MENU

5.1 USING THE SYSTEM OPTIONS MENU

Fitness club managers and other authorized personnel can use the Systems Options feature to change default settings, or to enable or disable certain programs or displays on the cross-trainer console, to run systems checks, and to access compiled statistics.

To enter the Systems Options, go to the Workout Selection screen, press and hold the COOLDOWN key, and then touch the Life Fitness icon twice consecutively (double-touch).

SYSTEM OPTIONS OVERVIEW

SYSTEM TEST

Allows technicians to run systems diagnostics. **NOTE:** These tests should only be used by (or with the express instruction of) a trained Life Fitness service technician.

System Diagnostics	Telemetry Test
Lifepulse Test	CSAFE Network Test
EEPROM Test	

INFORMATION

System usage statistics on main motor. Allows authorized personnel to access statistics on machine usage (Statistics and Usage Log). All other information is designed for use by trained Life Fitness service technicians.

Statistics	Software Versions
System Errors	Usage Log

CONFIGURATION

Allows access to all of the configurable settings of the unit. Configurations which should only be changed by qualified technicians are password protected.

Manager	Touch Screen Configuration
Manufacturer (password protected)	TV

5.2 SETTING CONFIGURATIONS

MANAGER

Allows the manager to set unit defaults, configure workout duration, set stand by, and program custom messages.

TO SET DEFAULTS

Either select appropriate radio buttons to select toggle settings, or use the arrow keys to modify variable default values. Select DEFAULTS to return all values to original factory settings.

Maximum Workout Duration: Allows the manager to set a maximum workout limit between 1 and 99 minutes. The time can be modified using the up or down arrow keys. The unit default is 60 minutes.

Standby Configuration: Sets the desired amount of time of inactivity before the system automatically turns the LCD screen backlight off. The LCD screen will illuminate the next time activity is detected. The Inactivity Timer can be set from 0 to 24 hours.

Program Timeout: Sets the amount of time the user can go without touching the Touchscreen while setting up their workout, before the console resets back to the Welcome Screen. Program Timeout can be set from 20 to 255 seconds. The unit default is 60 seconds.

Pause Time: Sets the amount of time the unit can be inactive before it reverts back to the Welcome Screen. Pause Time can be set from 1 to 99 minutes. The unit default is 1 minute.

Units: Choose between English and Metric.

CUSTOM MESSAGES

This configuration allows for a custom message to be displayed across the Welcome Screen.

Creating/Changing a Custom Message — After entering the Manager's Configuration, check to make sure that Custom Message is enabled, then select CUSTOM MESSAGE SETUP. Upon entering the setup screen, a message can be entered using the on-screen keyboard. Use the Shift button to input special characters and capital letters. The message will scroll across the top of the screen as the message is being inputted giving real-time feedback.

Accepting a Custom Message — To accept the Custom Message, simply select the MAIN MENU button.

Erasing a Custom Message — To erase a Custom Message, enter the CUSTOM MESSAGE SETUP screen. Select the CLEAR MESSAGE button and then select MAIN MENU.

TV

Brings up TV screen, and allows adjustment of brightness, contrast, saturation, and hue. Also allows choice of TV format, antenna setup, and channel setup.

To Set Up Channels: To set up channels, select CHANNEL SETUP, AUTO, START.

To Delete an Unwanted Channel: Choose CHANNEL SETUP, MANUAL, use the Channel Controls on the Control Panel to choose the channel to be deleted, select DELETE, return the Channel Setup to AUTO.

To Restore a Channel: Choose CHANNEL SETUP, MANUAL, use the Channel Controls to choose the channel to be restored, select ADD, return the Channel Setup to AUTO.

To Adjust Picture Setup: Brightness, Contrast, Saturation, and Hue can be adjusted by using the corresponding arrow buttons. To return to the unit defaults, select DEFAULT.

Max Volume Setup: Opens the MAX VOLUME controls. (Headphones must be used for this function.) The upper set of arrows adjusts the volume capacity higher or lower, allowing clubs to compensate for average noise levels within. The maximum volume returns to this default after each workout.

The Volume Down, Volume Up arrows control the volume of the unit for the current usage. After each session ends, the unit resets to a mid-range volume corresponding to the maximum volume set up.

TOUCH SCREEN CONFIGURATION

Follow the instructions on the screen to recalibrate the Touchscreen. When finished touch anywhere on the screen to return to the Main Menu.

6 SERVICE AND TECHNICAL DATA

6.1 PREVENTIVE MAINTENANCE TIPS

The Total Body Trainer is backed by the engineering excellence of Life Fitness and is one of the most rugged and trouble-free pieces of exercise equipment on the market today. Commercial Life Fitness products have proven to be durable in health clubs, colleges, and military facilities the world over. This same technology, engineering expertise, and reliability have gone into the Total Body Trainer.

NOTE: The safety of the equipment can be maintained only if the equipment is examined regularly for damage or wear. Keep the equipment out of use until defective parts are repaired or replaced. Pay special attention to parts that are subject to wear as outlined in the Preventive Maintenance Schedule.

REMARQUE : pour conserver un matériel sûr, il convient de l'inspecter régulièrement afin de détecter tout signe d'usure ou d'endommagement. N'utilisez pas l'appareil tant que les pièces défectueuses n'ont pas été réparées ou remplacées. Portez une attention toute particulière aux pièces qui s'usent, comme indiqué ci-dessous.

The following preventive maintenance tips will keep your Total Body Trainer operating at peak performance:

- Locate the Total Body Trainer in a cool, dry place.
- Clean the top surface of the pedals regularly.
- Keep the display console free of fingerprints and salt build-up caused by sweat.
- Use a 100% cotton cloth, lightly moistened with water and mild liquid detergent, to clean the Total Body Trainer. Other fabrics, including paper towels, may scratch the surface. Do not use ammonia, chlorine, or acid-based cleaners.
- Long fingernails may damage or scratch the surface of the console; use the pad of the finger to press the selection buttons on the console.
- Clean the housing and moving arms thoroughly on a regular basis.

NOTE: When cleaning the exterior of the unit, a non-abrasive cleaner and soft cotton cloth are strongly recommended. At no time should cleaner be applied directly to any part of the equipment; apply the non-abrasive cleaner on a soft cloth and then wipe the unit.

6.2 PREVENTIVE MAINTENANCE SCHEDULE

Follow the schedule below to ensure proper operation of the product.

ITEM	WEEKLY	MONTHLY	BI-ANNUALLY	ANNUALLY
<i>Display Console</i>	Clean	Inspect		
<i>Console Mounting Bolts</i>			Inspect	
<i>Accessory Tray</i>	Clean	Inspect		
<i>Frame</i>	Clean			Inspect
<i>Plastic Covers</i>	Clean	Inspect		
<i>Pedals and Straps</i>	Clean	Inspect		

6.3 TROUBLESHOOTING THE POLAR® HEART RATE CHEST STRAP

Malfunction	Probable Cause	Corrective Action
Heart rate reading is erratic or absent entirely	Belt transmitter electrodes are not wet enough to pick up accurate heart rate readings.	Wet the belt transmitter electrodes (see section 3.2).
	Belt transmitter electrodes are not laying flat against the skin.	Ensure the belt transmitter electrodes are laying flat against the skin (see section 3.2).
	Belt transmitter needs cleaning.	Wash the belt transmitter with mild soap and water.
	Belt transmitter is not within 3 feet (one meter) of the heart rate receiver.	Make sure the chest strap transmitter is within three feet (one meter) of the heart rate receiver.
	Chest strap battery is depleted.	Contact Life Fitness Customer Support Services* for instructions on how to have the chest strap replaced.
Abnormally elevated heart rate readings	Electromagnetic interference from television sets and/or antennas.	Move the cross-trainer a few inches away from the probable cause, or move the probable cause a few inches away from the cross-trainer, until the heart rate readings are accurate.
	Electromagnetic interference from cell phones.	
	Electromagnetic interference from computers.	
	Electromagnetic interference from cars.	
	Electromagnetic interference from high voltage power lines.	
	Electromagnetic interference from motor driven exercise equipment.	
	Electromagnetic interference from another heart rate transmitter within three feet (one meter).	

6.4 TROUBLESHOOTING THE LIFE PULSE SYSTEM SENSORS

If the heart rate reading is erratic or missing, do the following:

- Dry the hands if necessary to prevent slipping.
- Apply hands to all four sensors, located at the front and back of the hand grips.
- Grasp the sensors firmly.
- Apply constant pressure around the sensors.

6.5 HOW TO OBTAIN PRODUCT SERVICE

1. Verify the symptom and review the operating instructions. The problem may be unfamiliarity with the product and its features and workouts.
2. Locate the serial number plate, which is at the back end of the unit. Document the serial number, which consists of three letters followed by six numerals.
3. Contact Life Fitness Customer Support Services via the Web at: www.lifefitness.com, or call the nearest Life Fitness Customer Support Services group:

For Product Service within
the United States and Canada:

Telephone: (+1) 847.451.0036
FAX: (+1) 847.288.3702
Toll-free telephone: 800.351.3737

For Product Service Internationally:

Life Fitness Europe GmbH
Telephone: (+49) 089.317.751.66
FAX: (+49) 089.317.751.38

Life Fitness (UK) LTD
Telephone: (+44) 1353.665.507
FAX: (+44) 1353.666.719

Life Fitness Atlantic BV (Europe, Middle East & Africa except local Life Fitness offices)

Life Fitness Benelux
Telephone: (+31) 180.646.666
FAX: (+31) 180.646.699

Life Fitness Italia S.R.L.
Telephone: 800.438.836
FAX: (+39) 0457.238.197

Life Fitness Austria Vertriebs GmbH
Telephone: (+43) 1615.7198
FAX: (+43) 1615.7198.

Life Fitness Asia Pacific Ltd (Asia & Australia, except local Life Fitness offices)
Telephone: (+852) 2891.6677
FAX: (+852) 2575.6001

Life Fitness Latin America and Caribbean
Telephone: (+1) 847.288.3964
FAX: (+1) 847 288.3886

Life Fitness do Brazil
Telephone (+55) 11.4193.8282
FAX: (+55) 11.4193.8283

Life Fitness Japan
Telephone: (+81) 3.3359.4309
FAX: (+81) 3.3359.4307

Life Fitness Iberia (Spain)
Telephone : (+34) 93.672.4660
FAX : (+34) 93.672.4670

7 SPECIFICATIONS

7.1 LIFE FITNESS 95XE FIT STRIDE™ TOTAL BODY TRAINER

Designed use:	Heavy/Commercial
Maximum user weight:	350 pounds / 160 kilograms
Power Requirements:	Refer to Section 1.3 - <i>Setup, Electrical Power Requirements</i>
Upper Touchscreen:	12.1 in. Diagonal, 800 x 600 TFT LCD
Channel coverage:	VHF: 2-13/UHF: 14-69/CATV: 1-125
Antenna:	75-ohm external antenna terminal for VHF/UHF (>43dBuV (@75ohm) or > 65.8dBm)
Headphone Jack:	300 milliwatt, 3.5mm Stereo
Broadcast Capabilities:	NTSC-M or PAL-I, PAL-B/G, SECAM-L
Control Panel:	Arrow keys, screen lock and unlock, Cooldown, Quick Start, and TV controls.
Screens:	Workout Selection, Workout Setup and Workout Progress Screens
Information Displayed:	Distance, Mode (Aerobics or Reverse), Calories, CAL/HR, *Watts, METs, Elapsed Time (or Remaining Time, or Hidden Time), Time in Zone, Level, Speed, and Target Heart Rate (for heart workouts), TV (on, zoom).
Summaries:	Total elapsed time of workout, total calories burned, total distance, and time in zone (when applicable.)
Workouts:	Quick Start, Fat Burn, Manual, Random, Cardio, and Hill. Zone Training including: Heart Rate Hill, Heart Rate Interval, and Heart Rate Extreme. Hill Plus including: Around the World, Foothills, Kilimanjaro, Interval, Cascades, and Speed Training. Personal Trainer including: Cross-Train Aerobics, Cross-Train Reverse, and Life Fitness Fit Test.
Heart rate monitor:	Lifepulse system sensors and Polar® telemetry heart rate monitoring system Polar® heart rate chest strap: optional
Resistance Levels:	26 (0 to 25, speed-independent)
Pedal speed range:	1.5 mph-14.3 mph (2.4 km/h-23.0 km/h)
Drive type:	Belt/alternator
Accessory Tray:	Standard
Integrated Reading Rack:	Standard
Color:	Silver with gray accents
Ports (1):	Type RJ45 Network ready connection
CATV (1):	F-type connector

PHYSICAL DIMENSIONS:

Length:	84.75 inches / 215 centimeters
Width:	26.5 inches / 67 centimeters
Height:	64 inches / 162.5 centimeters
Weight:	286 pounds / 130 kilograms

SHIPPING DIMENSIONS:

Length:	85.75 inches / 217.8 centimeters
Width:	29.75 inches / 75.6 centimeters
Height:	50.75 inches / 128.9 centimeters
Weight:	390 pounds / 176.9 kilograms

For EN 957-9 class A accuracy testing, input mechanical power was measured by connecting a cross-trainer to a fixture consisting of a motor and gear box with an attached torque transducer, amplifier, and readout display. Testing was done by removing the pedal lever from one side of the cross trainer and connecting the test fixture in place of the pedal lever at the crank axis. Torque measurements were taken with and without the pedal lever installed on the other side of the cross-trainer in order to determine the level of measured torque required to compensate for the missing pedal lever. From measured torque and speed, the input mechanical power and variance from displayed power were calculated. At level 12 and a constant 65 RPM, displayed wattage was 133 watts, with a 4.69% variance from input power on the test equipment. At level 12 and a constant 75 RPM, displayed wattage was 133 watts, with a 4.07% variance from input power on the test equipment.

M051-00K62-A077

Free Manuals Download Website

<http://myh66.com>

<http://usermanuals.us>

<http://www.somanuals.com>

<http://www.4manuals.cc>

<http://www.manual-lib.com>

<http://www.404manual.com>

<http://www.luxmanual.com>

<http://aubethermostatmanual.com>

Golf course search by state

<http://golfingnear.com>

Email search by domain

<http://emailbydomain.com>

Auto manuals search

<http://auto.somanuals.com>

TV manuals search

<http://tv.somanuals.com>