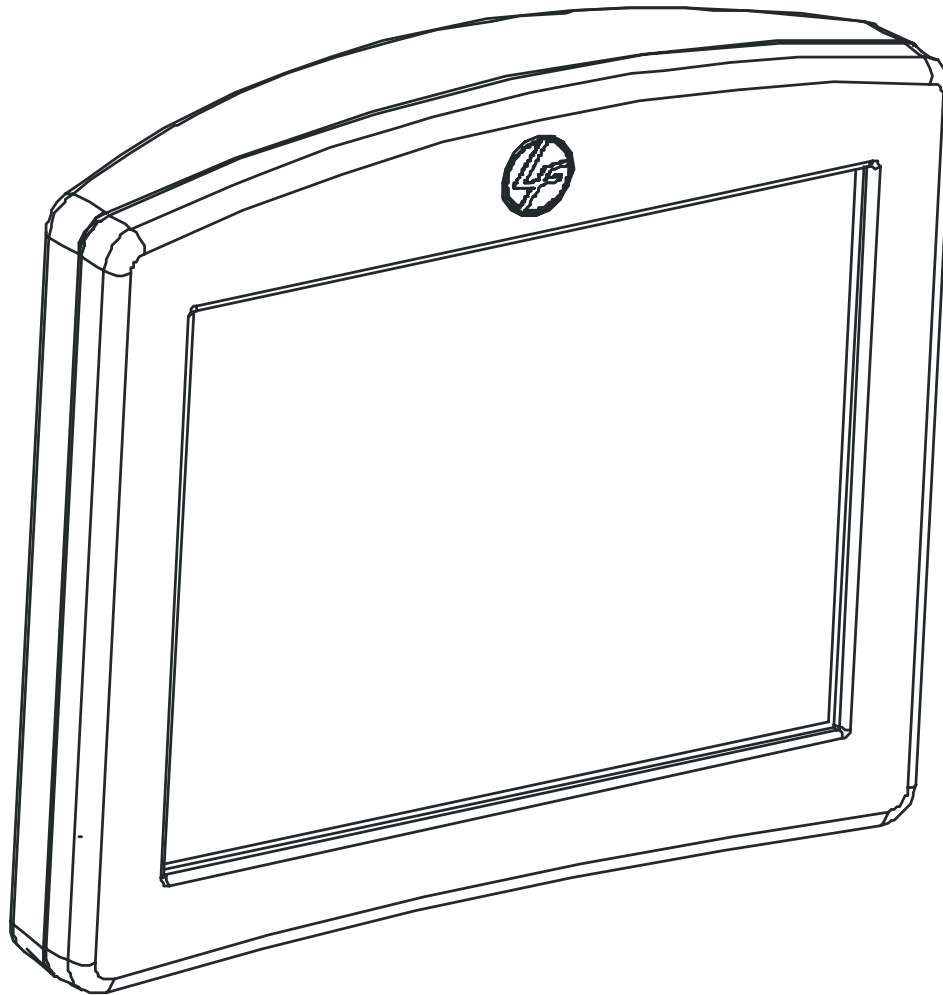


LifeFitness

LCD 12.1 ENTERTAINMENT SYSTEM



Customer Support Services
PARTS MANUAL rev 22 Oct 2007

LCD 12.1-01 ENTERTAINMENT SYSTEM

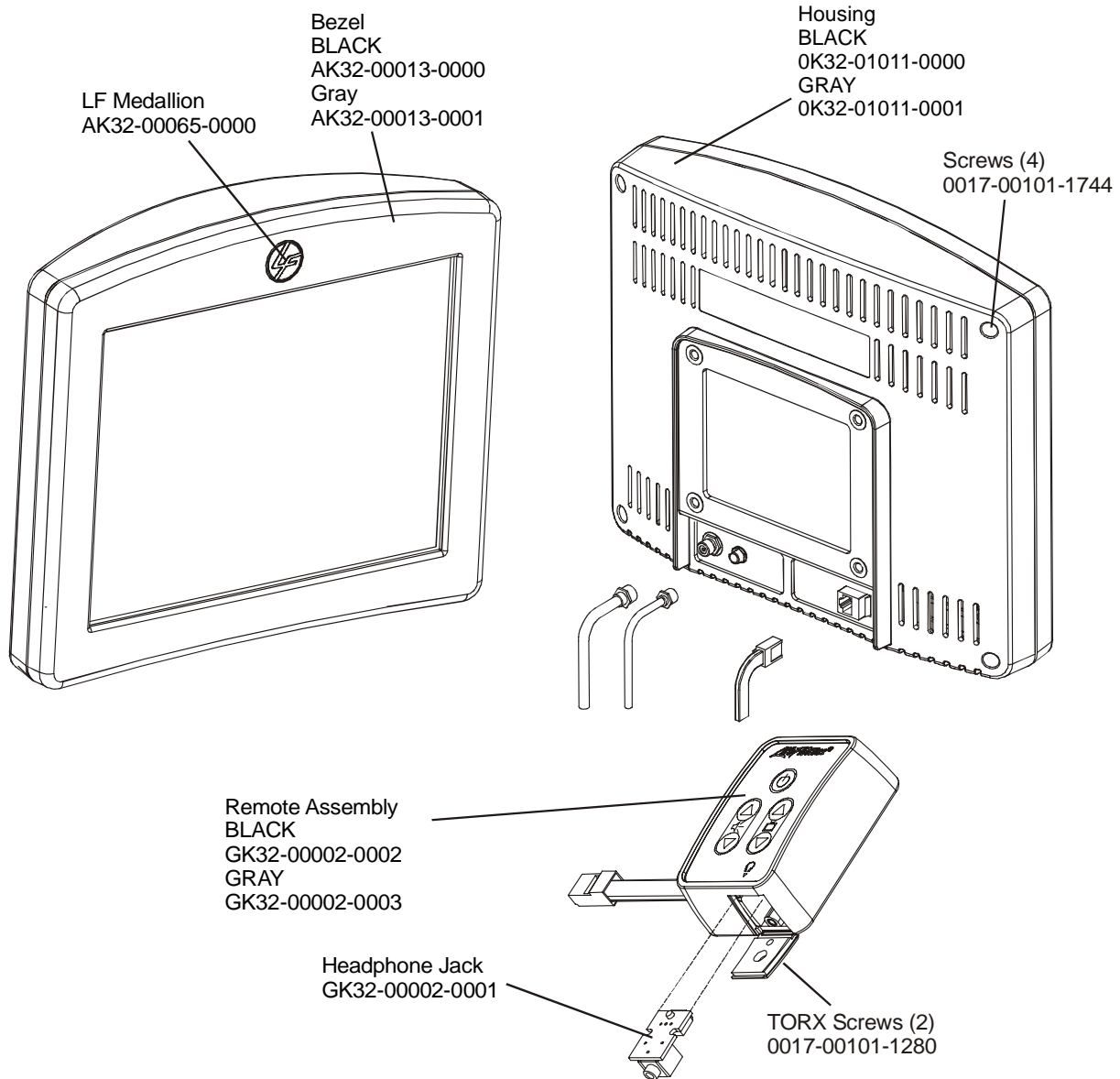
Contents

| | |
|--|----|
| EXPLODED ASSEMBLY | 3 |
| LCD COMPONENTS | 4 |
| CONSOLE SUPPORT MOUNTING HARDWARE | 5 |
| STAIR CLIMBER MOUNTING HARDWARE | 8 |
| CROSS-TRAINER (BLACK) MOUNTING HARDWARE | 7 |
| CROSS-TRAINER (SILVER) MOUNTING HARDWARE | 8 |
| TREADMILL (BLACK) MOUNTING HARDWARE | 9 |
| TREADMILL (SILVER) MOUNTING HARDWARE | 10 |

LCD 12.1-01 ENTERTAINMENT SYSTEM

Exploded Assembly

LCD_-0_-_-01

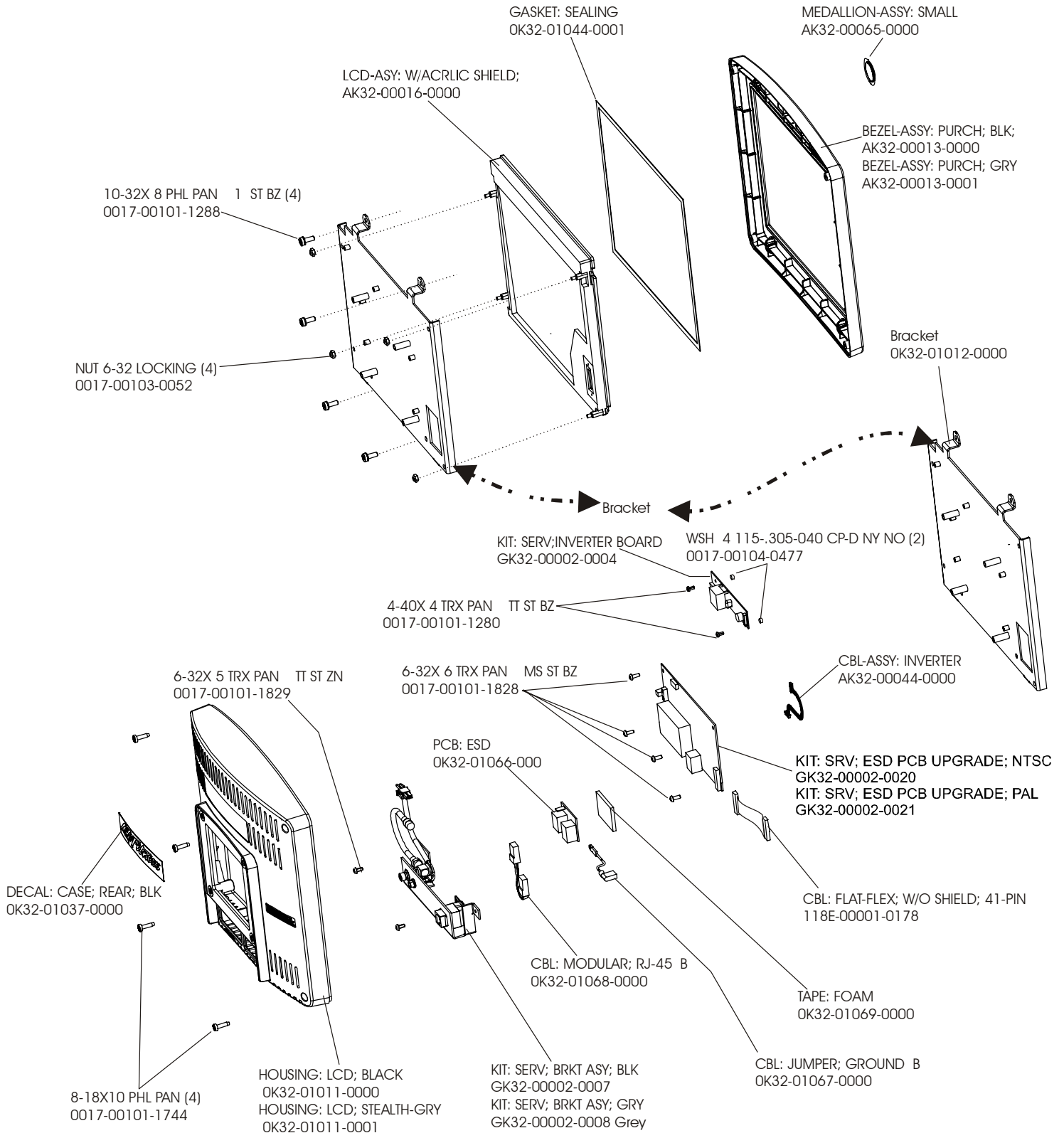


| OPERATORS MANUAL ENG | M051-00K32-A003 |
|--------------------------------------|---------------------|
| PARTS DESCRIPTION | PART NUMBERS |
| LINE-CORD: 125V; 10A; DOMESTIC B | 0017-00003-0963 |
| POWER-SUPPLY: AC-TO-DC; 12V 6' CORD | 0017-00003-0967 |
| POWER-SUPPLY: AC-TO-DC; 12V 10' CORD | 0017-00003-0970 |
| LINE-CORD: 250V; 10A; EUROPEAN B | 0017-00003-0964 |
| LINE-CORD: 250V; 10A; BRITISH B | 0017-00003-0965 |
| LINE-CORD: 250V;10A; AUSTRALIAN B | 0017-00003-0966 |
| COAX CBL-ASSY | AK32-00020-0002 |

LCD 12.1-01 ENTERTAINMENT SYSTEM

LCD Components

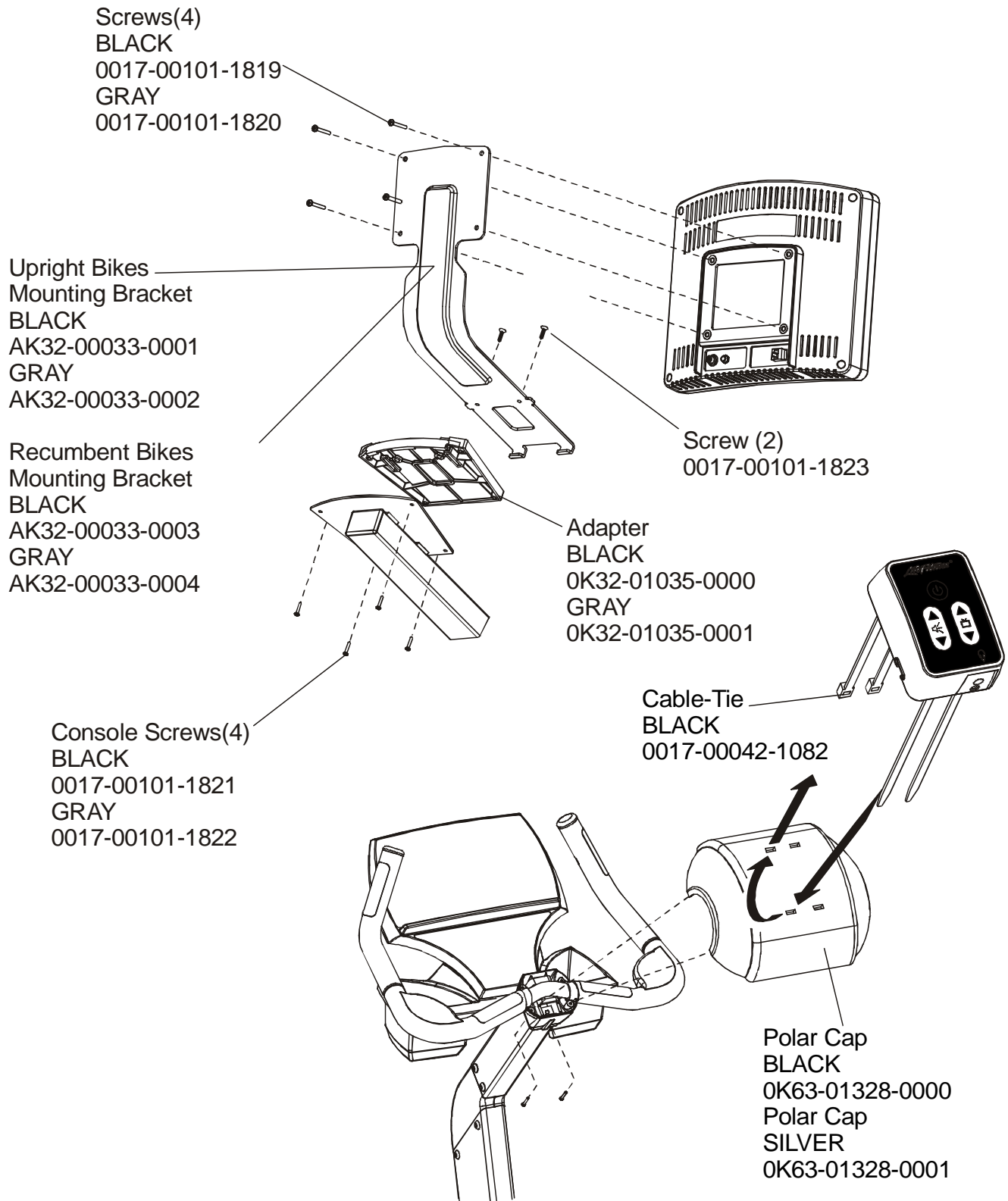
LCD_0__-01



LCD 12.1-01 ENTERTAINMENT SYSTEM

Upright and Recumbent Bikes Mounting Hardware

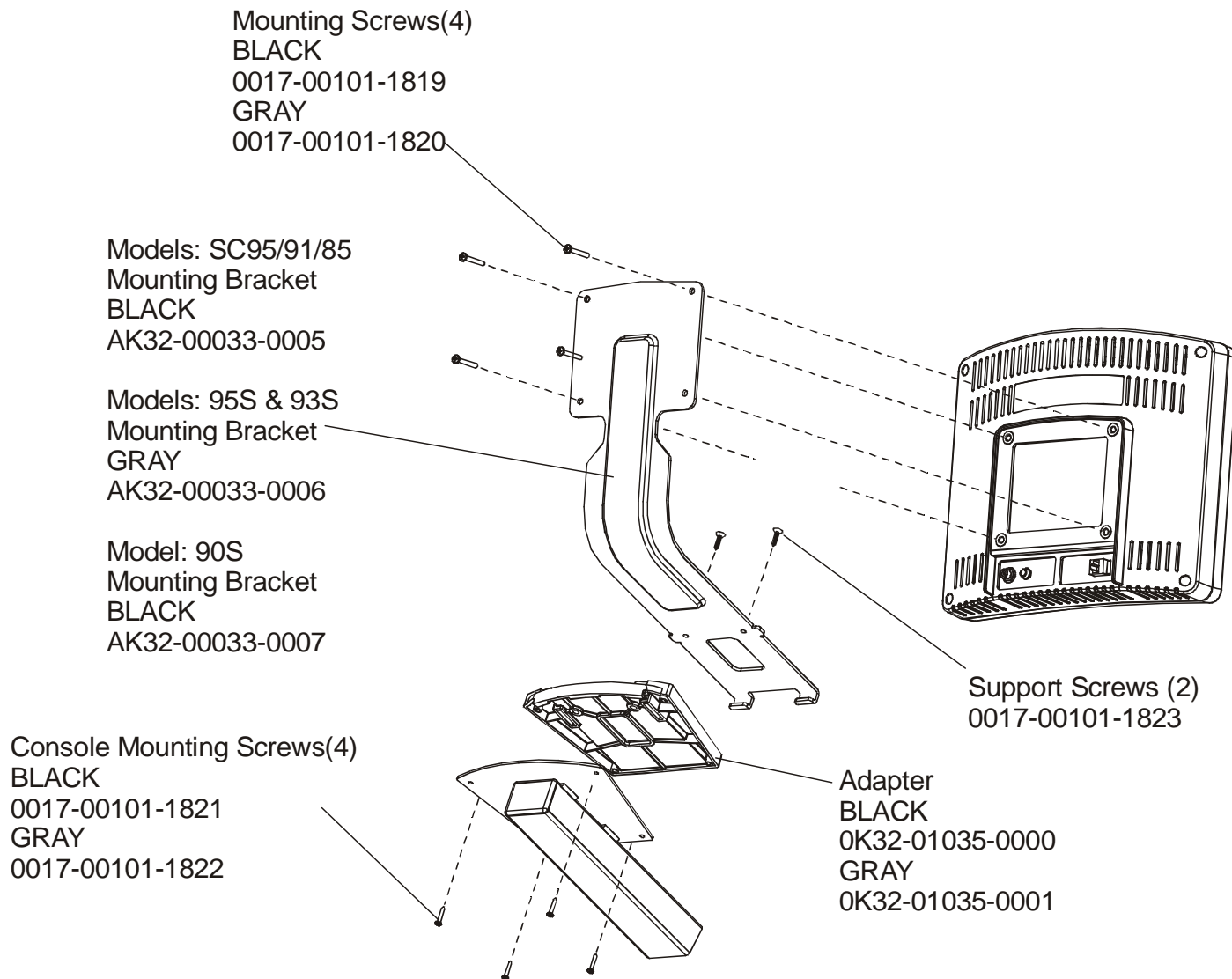
LCDC_-0_-01
LCDR_-0_-01



LCD 12.1-01 ENTERTAINMENT SYSTEM

Stair Climber Mounting Hardware

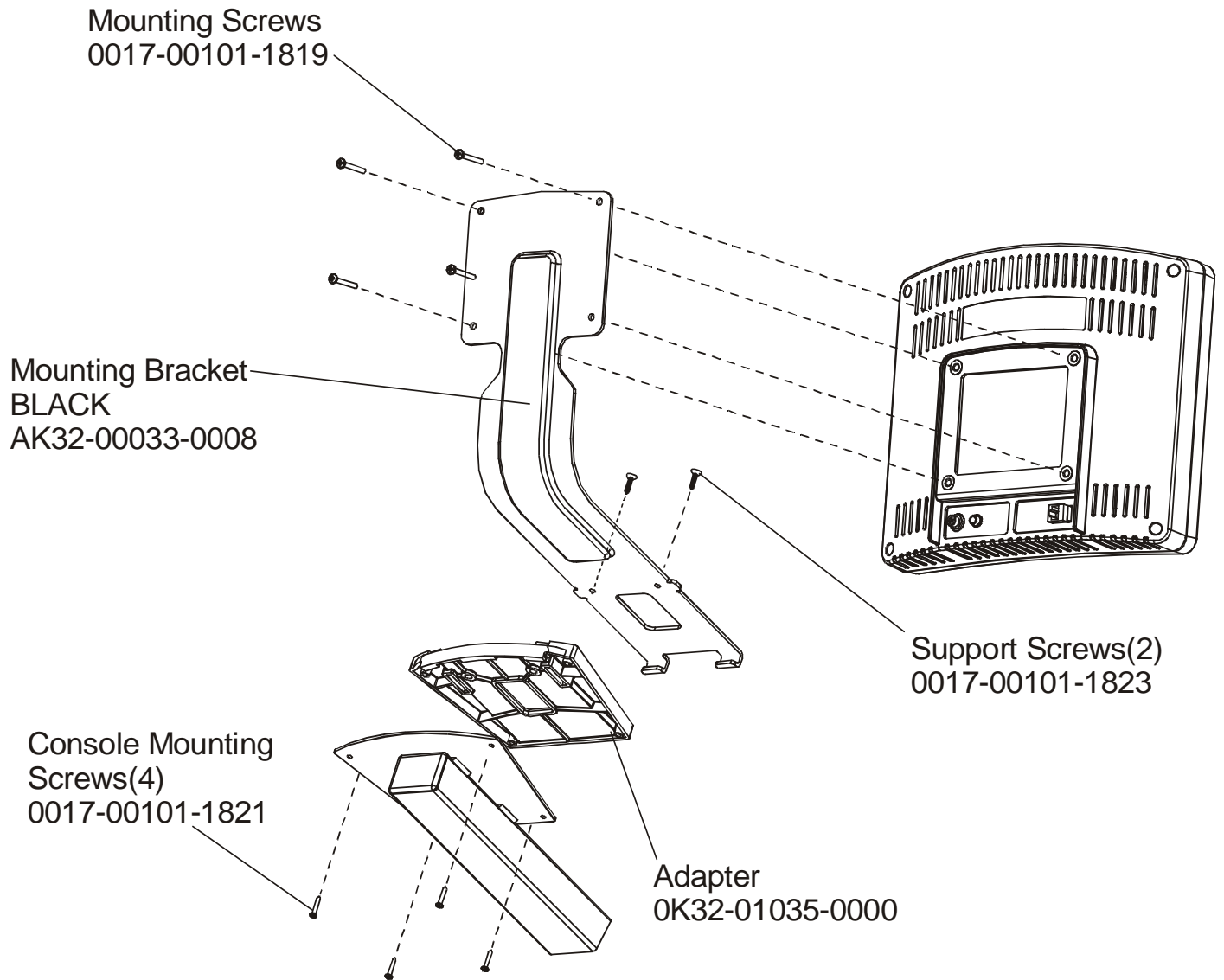
LCDS90-0__-01



LCD 12.1-01 ENTERTAINMENT SYSTEM

Cross-Trainer (Black) Mounting Hardware

LCD_ _-010_-01

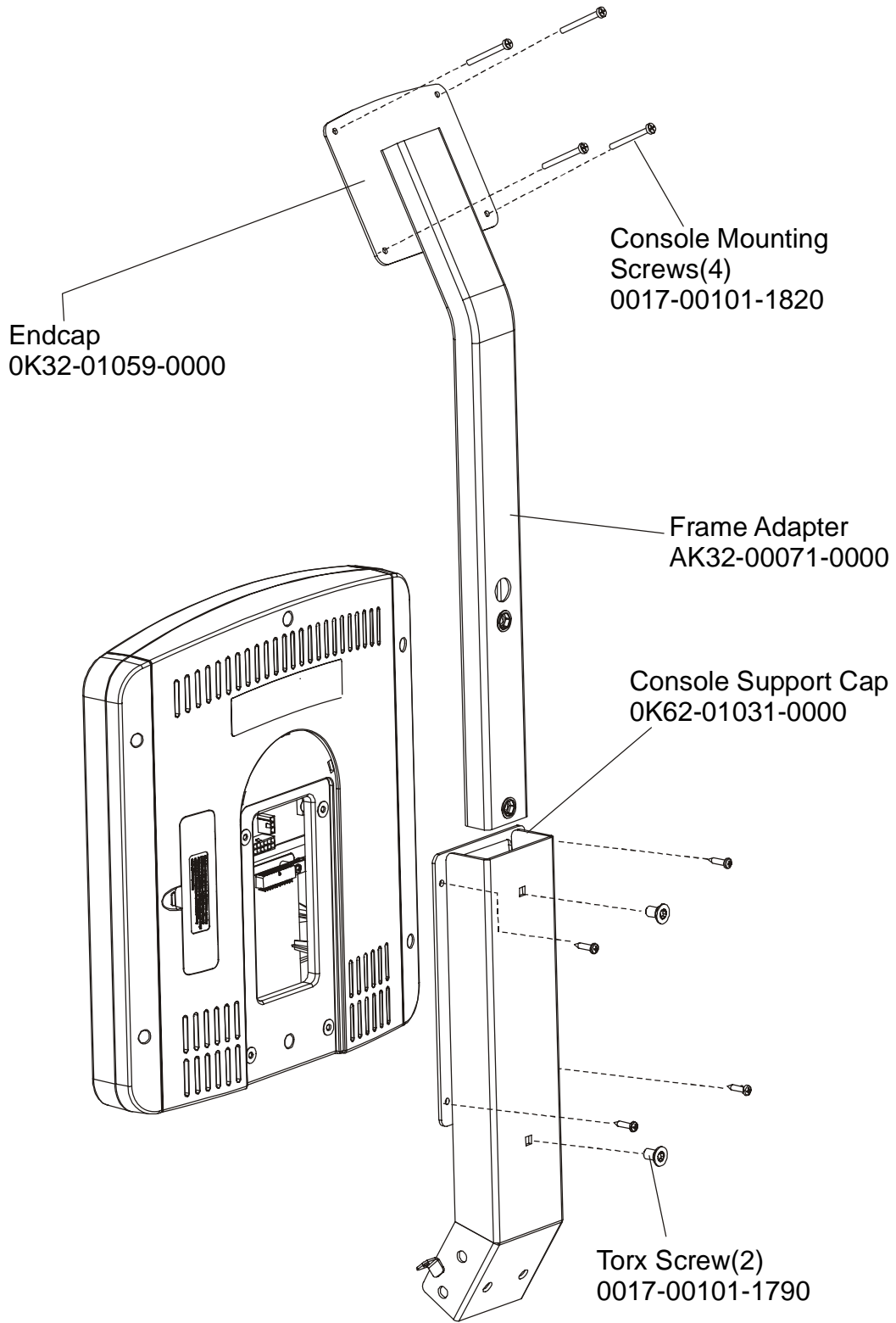


LCD 12.1-01 ENTERTAINMENT SYSTEM

Cross-Trainer (Silver) Mounting Hardware

LCD__-020_-01

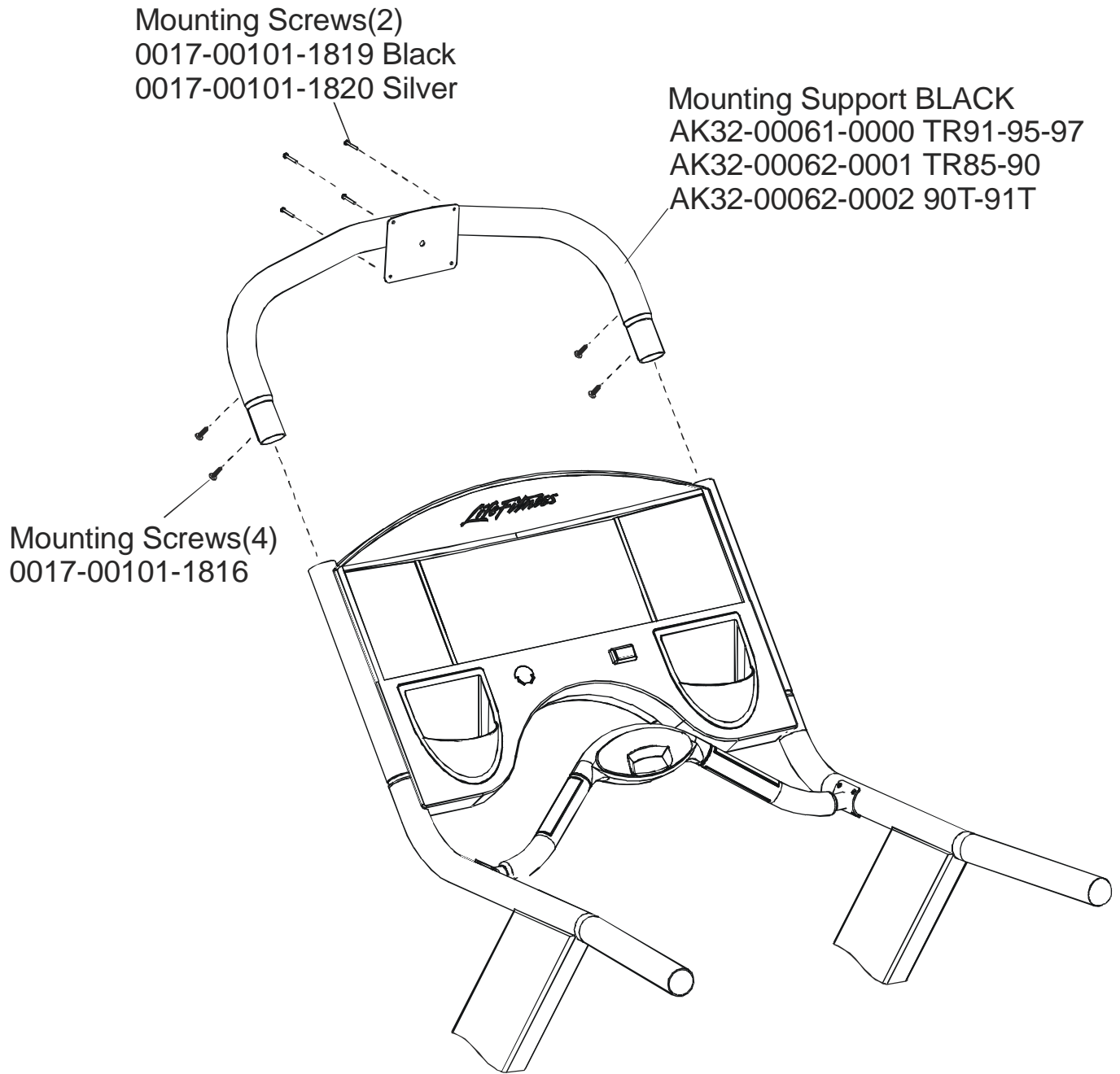
OK62-01265-0000 BRKT: REMOTE; 93X/95Xi B



LCD 12.1-01 ENTERTAINMENT SYSTEM

LCDT- 010_-01 TR97-95-91
LCDMT- 010_-01 TR85-90
LCDMT- 020_-01 90T-91T

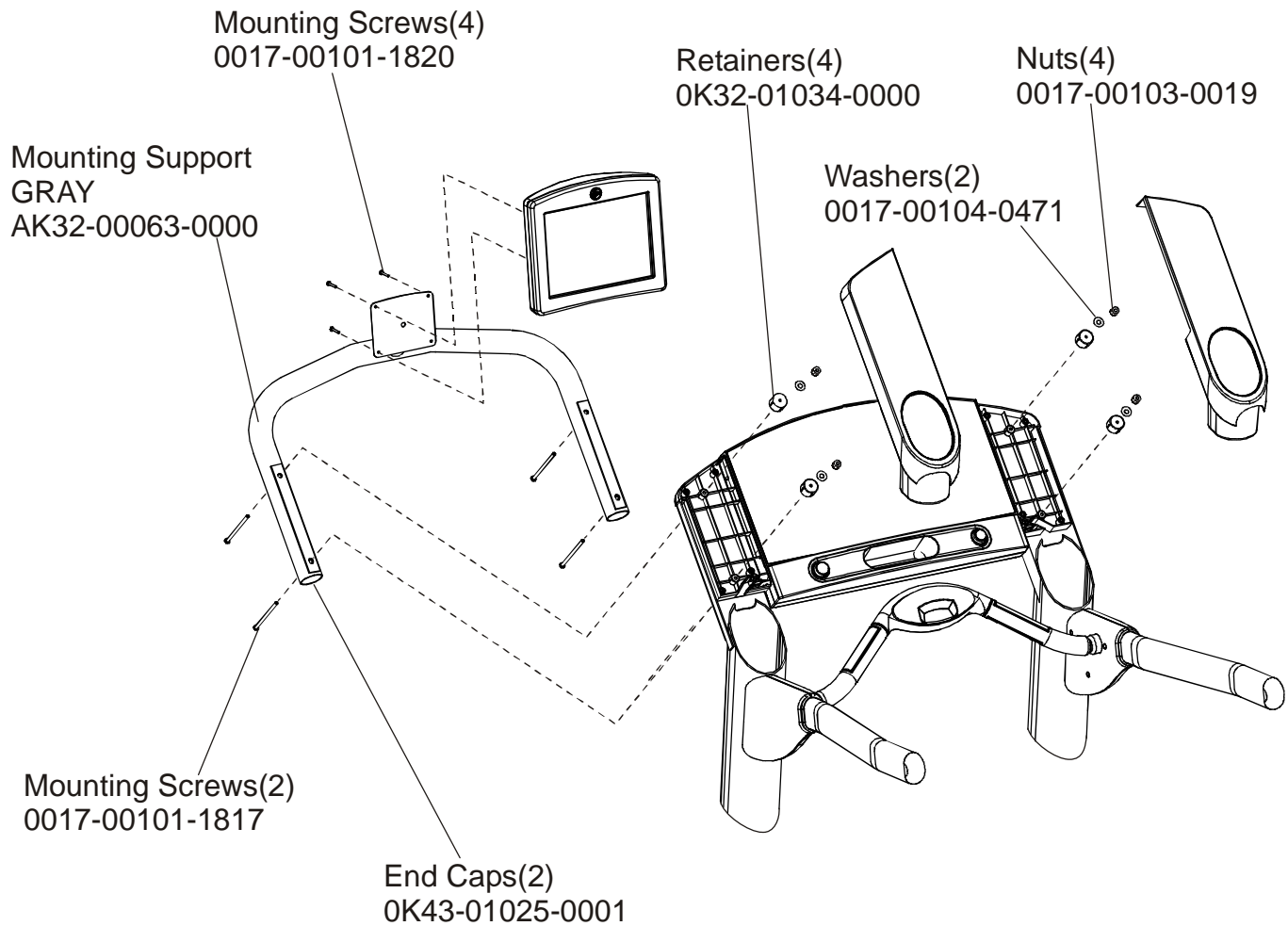
Treadmill (Black) Mounting Hardware



LCD 12.1-01 ENTERTAINMENT SYSTEM

Treadmill (Silver) Mounting Hardware

LCDT_ _-020_-01



Free Manuals Download Website

<http://myh66.com>

<http://usermanuals.us>

<http://www.somanuals.com>

<http://www.4manuals.cc>

<http://www.manual-lib.com>

<http://www.404manual.com>

<http://www.luxmanual.com>

<http://aubethermostatmanual.com>

Golf course search by state

<http://golfingnear.com>

Email search by domain

<http://emailbydomain.com>

Auto manuals search

<http://auto.somanuals.com>

TV manuals search

<http://tv.somanuals.com>