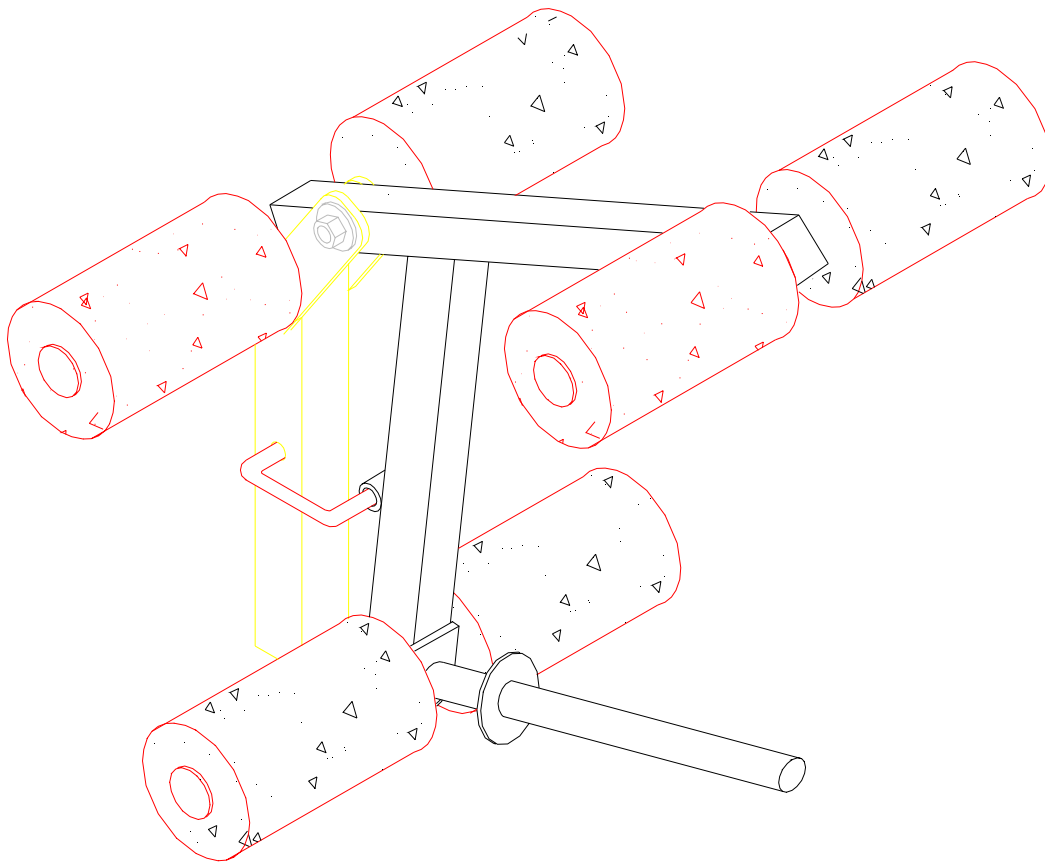


# PARABODY®

## 824 LEG CURL/EXT ATTACHMENT

---



### WARNING:

Read and follow all directions for each step to insure proper assembly of this product.



---

## USER'S GUIDE

## TABLE OF CONTENTS

Safety Statement.....	2	Assembly Instructions.....	4
General Notes.....	3	General Operation.....	5
Tools Required.....	3	General Maintenance.....	6
Parts list.....	4	Warranty Statement.....	7
		Product Services.....	8
		Insert-Registration Card	

## IMPORTANT SAFETY INFORMATION



THERE IS A RISK ASSUMED BY INDIVIDUALS WHO USE THIS TYPE OF EQUIPMENT. TO MINIMIZE RISK FOLLOW THESE RULES!

1. Before using, read all the warnings and instructions on the use of this machine. Use only for intended exercise. **DO NOT** modify the machine.
2. Obtain a medical exam before beginning any exercise program.
3. Keep body and clothing free of all moving objects.
4. Inspect the machine before use. **DO NOT** use it if it appears damaged. **DO NOT** attempt to fix a broken or jammed machine. Notify your authorized ParaBody dealer before use and have repairs made by an authorized service technician.
5. Be certain that weight pin is completely inserted. Use only the pin provided by the manufacturer. If unsure, call your authorized ParaBody dealer.
6. Never pin the weights or prop plate into an elevated position. **DO NOT** use the machine if found in this condition. **DO NOT** attempt to fix. Notify your authorized ParaBody dealer.
7. Inspect cables and their connections before using machine. Pay particular attention to the cable ends. **DO NOT** attempt to fix. Notify your authorized ParaBody dealer before use and have repairs made by an authorized service technician.
8. Make sure all spring loaded pull pins are fully engaged in the adjustment position and fully tighten thumbscrew before use.
9. Children must not be allowed near this machine. Supervise teenagers.

**NOTE:** In a continual effort to improve our products, specifications are subject to change  
© 2001 Life Fitness, a division of Brunswick Corporation. All rights reserved.  
ParaBody is a trademark of Brunswick Corporation

[www.parabody.com](http://www.parabody.com)

## IMPORTANT NOTES

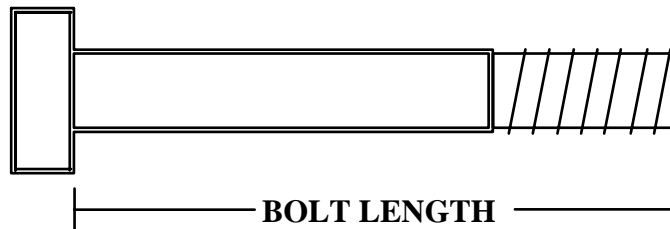
### Please note:

- \* Thank you for purchasing the ParaBody 824 Gym Attachment. Please read these instructions thoroughly and keep them for future reference. This product must be assembled on a flat, level surface to assure its proper function.
- \* This product must be assembled on a flat, level surface to assure its proper function. **DO NOT** securely tighten any frame connections until the entire frame has been assembled, unless otherwise stated.

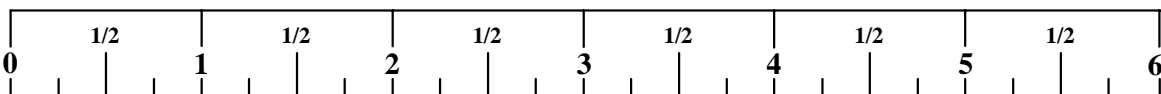
## Tools Required for Assembly

- \* Ratchet, 3/4 socket or wrench
- \* Adjustable wrench
- \* Rubber mallet or hammer

**NOTE: BOLT LENGTH IS MEASURED FROM THE UNDERSIDE OF THE HEAD OF THE BOLT.**

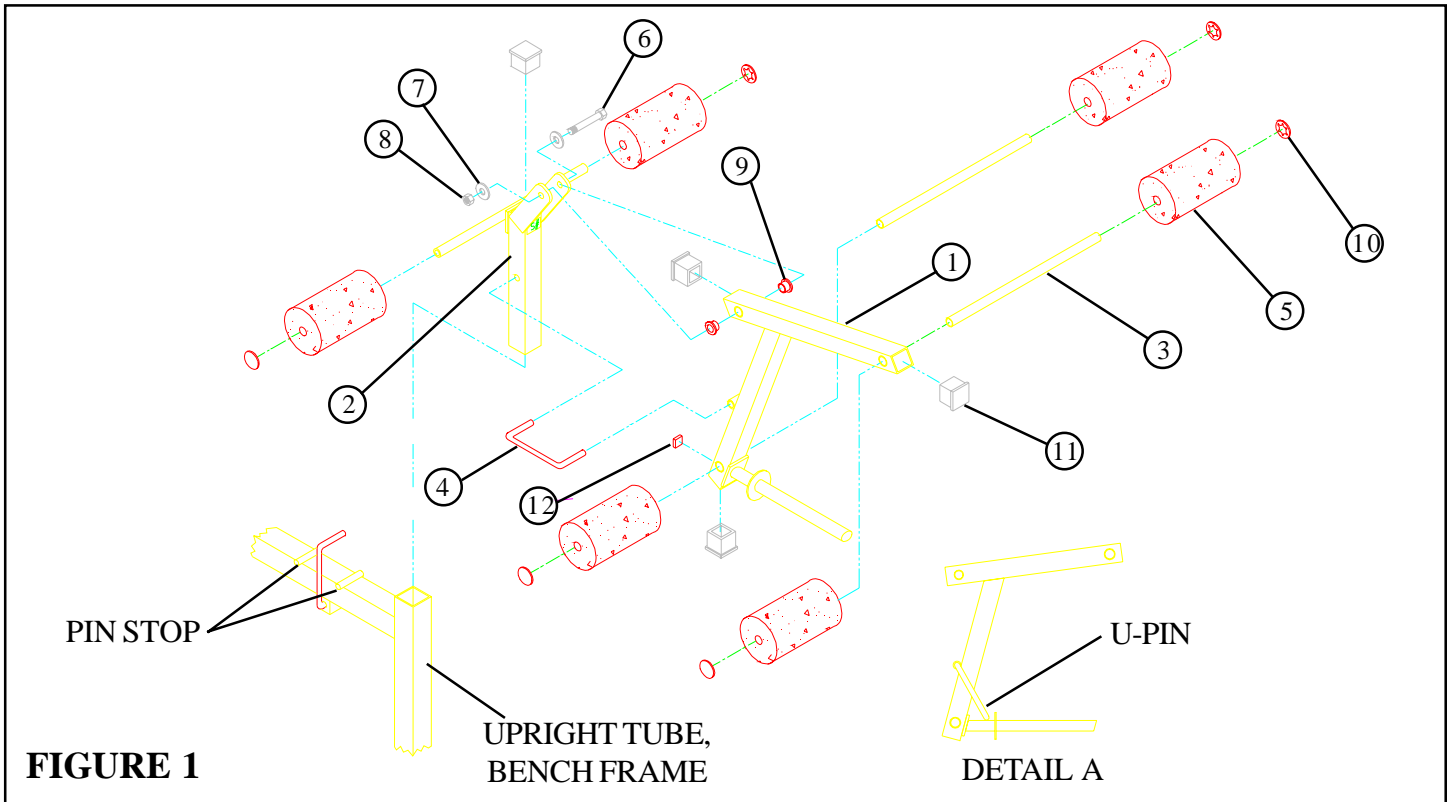


### BOLT LENGTH RULER:



# PARTS LIST

KEY	PART #	DESCRIPTION	QTY	KEY	PART #	DESCRIPTION	QTY
1	LEA 6416410	LEG EXTENSION	1	7	LEA 3114401	1/2" FLAT WASHER	2
2	LEA 6416310	LEG EXTENSION NECK	1	8	LEA 3235501	1/2" LOW HT LOCK NUT	1
3	LEA 6125101	ROLLER PAD SHAFT	2	9	LEA 6020601	1/2" FLANGE BEARING	2
4	LEA 6406501	U-PIN	1	10	LEA 3105401	3/4" STAR LOCK	6
5	LEA 6194601	ROLLER PAD	6	11	LEA 6236701	1-3/4" SQ. END CAP	4
6	LEA 3235312	1/2 X 3" BOLT	1	12	LEA 3104301	3/4" SQ. RUBBER BUMPER	1



**FIGURE 1**

## REFER TO FIGURE 1 WHILE READING ASSEMBLY INSTRUCTIONS

- \* Insert one 1-3/4" END CAP (11) into the top of the LEG EXTENSION NECK (2).
- \* Slide two ROLLER PADS (5) over each end of the shaft on the LEG EXTENSION NECK (2) and hold in place using two STARLOCK COLLARS (10)
- \* Insert three 1-3/4" END CAP (11) into the ends of the LEG EXTENSION (1)
- \* Insert two 1/2" FLANGE BEARING (9) into the bushing on the LEG EXTENSION (1)
- \* Assemble the LEG EXTENSION NECK (2) to the LEG EXTENSION (1) using one 1/2 X 3" BOLT (6), two 1/2" FLAT WASHERS (7) and one 1/2" LOCK NUT (8). **(TIGHTEN THE CONNECTION ENOUGH TO REMOVE THE PLAY, YET ALLOWING THE LEG EXTENSION TO ROTATE FREELY)**
- \* Assemble four ROLLER PAD (5) to the LEG EXTENSION (1) using two ROLLER PAD SHAFT (3) and four STARLOCK COLLAR (10)
- \* Attach one 3/4" RUBBER BUMPER (12) to the LEG EXTENSION (1) approximately as shown

## INSTRUCTIONS FOR ATTACHMENT OPERATION

- \* To perform LEG CURLS or LEG EXTENSION, insert the LEG EXTENSION ASSEMBLY into the upright tube of the BENCH FRAME and tighten in place using the THUMBSCREW. To adjust the SEAT PAD for the LEG EXTENSION position, pull out on the U-PIN. Rotate the U-PIN back pass the first PIN STOP. Release the U-PIN and allow it to rest up against the first PIN STOP.
- \* To perform DECLINES or AB CRUNCHES, loosen the thumbscrew and pull up the LEG EXTENSION ASSEMBLY until the hole in the LEG EXTENSION NECK is exposed. Insert the U-PIN through the hole in the NECK and the BUSHING on the LEG EXTENSION (**AT THE SAME TIME**). Allow the U-PIN to rest on top of the UPRIGHT TUB. Retighten the THUMBSCREW. To adjust the SEAT PAD for the DECLINE position, rotate the U-PIN back to the SECOND PIN STOP.
- \* When U-PIN is not in use, insert it through the BUSHING of the LEG EXTENSION and position it behind the WASHER on the WEIGHT PEG of the LEG EXTENSION. (SEE DETAIL A).

# MAINTENANCE

**Please note:**

- \* We recommend cleaning your product (pads and frame) on a regular basis, using warm soapy water. Touch-up paint can be purchased from your ParaBody customer service representative at (800) 328-9714.
  
- \* Inspect equipment daily. Tighten all loose connections and replace worn parts immediately. Failure to do so may result in serious injury
  
- \* **PLEASE RECORD THE INFORMATION REQUESTED BELOW. IN THE EVENT YOU MAY NEED SERVICE YOU WILL BE ASKED FOR THIS INFORMATION. REMEMBER TO FILL OUT YOUR WARRANTY REGISTRATION CARD AND MAIL BACK.**

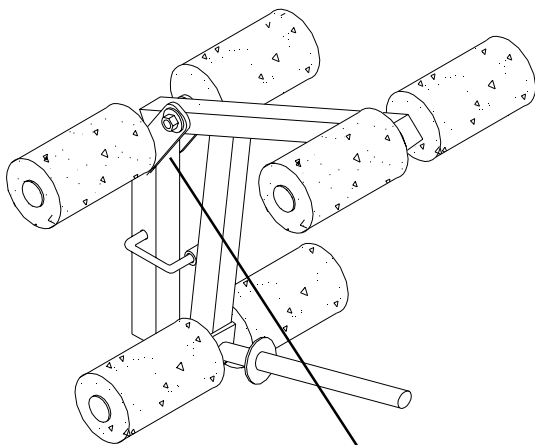
**MODEL #** \_\_\_\_\_

**SERIAL #** \_\_\_\_\_

**DATE OF PURCHASE:** \_\_\_\_\_

**DEALERS NAME:** \_\_\_\_\_

**DEALERS PHONE #** \_\_\_\_\_



SERIAL NUMBER LOCATION

**Thank you for purchasing the ParaBody 824 Attachment.**

# LIMITED WARRANTY

ParaBody extends the following LIMITED WARRANTY to the original owner of the ParaBody products. The Warranty terms apply to IN HOME USE ONLY.

1. **LIMITED WARRANTY ON FRAME AND WELDS.** If the frame of the ParaBody product or a weld should crack or break, it will be repaired or replaced by ParaBody. Terms: Lifetime – for so long as the Customer owns the ParaBody product.
2. **LIMITED WARRANTY ON PARTS.** If the following parts are defective in material or workmanship, ParaBody will supply replacement parts: all bolts, nuts, washers, bearings, bushings, pulleys, thumbscrews, collars, cable retaining clips, adjustable pre-stretch slides, roller pad shafts, allen head bolts, weight selector pin, weight stack shaft, set screws, protector caps, adjustment chain, cotter pin, plunger, spring and knob. Terms: Lifetime – for so long as the Customer owns the ParaBody product.
3. **LIMITED WARRANTY ON CABLES AND UPHOLSTERY.** If the coated cables or upholstery are defective in material or workmanship, ParaBody will repair or replace them, at its option. Terms: Three (3) years.
4. **CONDITIONS AND EXCEPTIONS.** Any product misuse, abuse or alteration, any attempt to repair by a person other than an authorized ParaBody Service Center, any improper assembly, accident, or any other condition resulting from occurrences beyond the control of ParaBody will void this Limited Warranty.
5. **REPLACEMENT AND REPAIR EXPENSES.** ParaBody will provide only replacement parts or repair under this warranty. The Owner is responsible for all other costs. Such costs may include, but are not limited to: a. labor charges for service, removal, repair or reinstallation of the ParaBody product or any component part; b. shipping, delivery, handling and administrative charges for returning parts to ParaBody; and c. all necessary or incidental costs related to installation of the replacement parts.
6. **SHIPPING.** If shipping by the Owners is deemed necessary (in sole discretion of ParaBody), parts should be shipped in their original carton or equivalent packaging, fully insured with shipping charges prepaid. ParaBody will not assume any responsibility for any loss or damage incurred in shipping.
7. **CLAIM PROCEDURES.** If service on your ParaBody product is required during the warranty period, please contact our Customer Service Department at 1-800-328-9714 for instructions regarding returning or replacing parts. Please have available the following information: (i) the dealer's name; (ii) the date of purchase; (iii) the serial # (s) of your product (the serial number location is called out on the final assembly drawing included with your assembly instruction); (iv) a description of the nature of the problem.
8. **OWNER'S RIGHT.** This Limited Warranty gives you specific legal rights. You may also have other rights, which vary depending on local law.
9. **LIMITATION OF IMPLIED WARRANTIES.** All implied warranties, except to the extent prohibited by applicable law, shall have no greater duration than the warranty period set forth above. There are no warranties which extend beyond the description in this Limited Warranty. Because local laws do not allow limitations on how long an implied warranty lasts, the above limitations may not apply to you.
10. **DISCLAIMER.** No other express warranty has been made or will be made on behalf of ParaBody with respect to any ParaBody product or the operation, repair or replacement of any ParaBody product. ParaBody shall not be responsible for injury, loss of use of the ParaBody product, inconvenience, loss or damage to personal property, whether direct or indirect, and incidental or consequential damages, so the above limitation or exclusion may not apply to you.

## NOTES:

## **LIFE FITNESS**

14150 Sunfish Lake Blvd. Ramsey Minnesota, 55303 U.S.A.  
Tel: 763.323.4500 Fax: 763.323.4797  
800.328.9714 (Toll-free within the U.S. and Canada)  
www.parabody.com

## **INTERNATIONAL OFFICES**

Life FitnessAtlantic BV  
Atlantic Headquarters  
Bijdorpplein 25-31  
2992 LB Barendrecht  
The Netherlands  
Phone: (180) 646 666  
Fax: (180) 646 703

Life Fitness (UK) Ltd.  
Queen Adelaide  
Ely, Cambs CB7 4UB  
United Kingdom  
Phone CSS: (01353) 665507  
Fax CSS: (01353) 666719

Life Fitness EUROPE GmbH  
Siemensstrasse 3  
85716 Unterschleissheim  
Germany  
Phone: (089) 31 77 51-0  
Fax: (089) 31 77 51 99

Life Fitness Benelux N.V.  
Bijdorpplein 25-31  
2992 LB Barendrecht  
The Netherlands  
Phone: 31 (180) 64 66 69  
Fax: 31 (180) 64 66 99

Life Fitness Italia S.R.L.  
Via Elvas 92  
39042 Bressanone  
Italy  
Phone: 39 (472) 835-470  
Fax: 39 (472) 833-150

Life Fitness Japan  
8/F, Nippon Brunswick Building  
5-27-7 Sendagaya  
Shibuya-Ku, Tokyo 151-0051  
Japan  
Phone: 81 (3) 3359-4309  
Fax: 81 (3) 3359-4307

Life Fitness Asia Pacific Limited  
Room 2610, Miramar Tower  
132 Nathan Road, Tsimshatsui  
Kowloon, Hong Kong  
Phone: (852) 2891-6677  
Fax: (852) 2575-6001

Life Fitness Do Brazil  
Al. Rio Negro, 433-Predio 2-Sala 2  
3º andar (Confab)  
Aplhavelle-Barueri-Sao Paulo  
CEP: 06454-904  
Brazil  
Phone: 55 (11)7295-2217  
Fax: 55 (11) 7295-2218



## Free Manuals Download Website

<http://myh66.com>

<http://usermanuals.us>

<http://www.somanuals.com>

<http://www.4manuals.cc>

<http://www.manual-lib.com>

<http://www.404manual.com>

<http://www.luxmanual.com>

<http://aubethermostatmanual.com>

Golf course search by state

<http://golfingnear.com>

Email search by domain

<http://emailbydomain.com>

Auto manuals search

<http://auto.somanuals.com>

TV manuals search

<http://tv.somanuals.com>