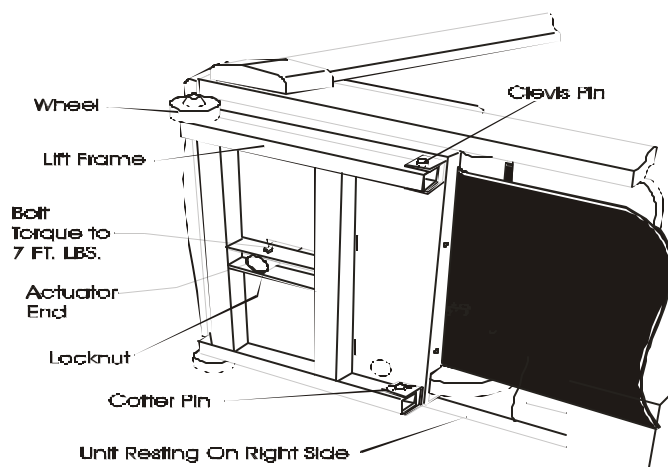
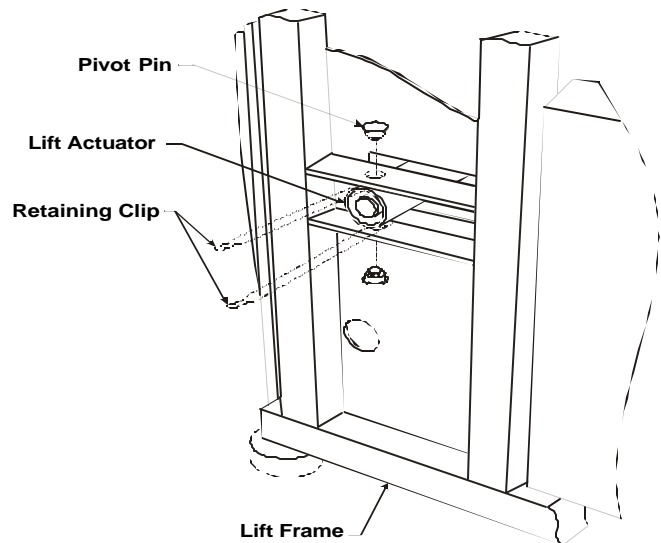
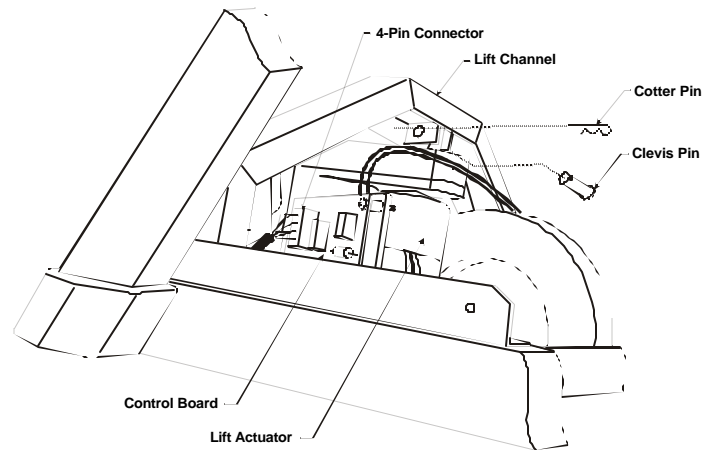


## How To... Replace the Lift Actuator and Lift Frame (LF 5500HR/8500/9000 Treadmills)

**Tools Required:** Phillips screwdriver, pliers, scissors, combination wrenches ( Kit No GK45-00002-0012 )

1. Turn the power OFF at the ON/OFF switch and then disconnect the line cord from the electrical outlet.
2. Remove the (4) screws securing the motor cover and set it aside.
3. Disconnect the LIFT ACTUATOR 4-PIN CONNECTOR located at P7 on the CONTROL BOARD. Remove wire ties as necessary.
4. Remove the CLEVIS PIN from the top of the LIFT ACTUATOR located under the LIFT CHANNEL.
5. With an assistant, carefully tilt the treadmill onto its right side.
6. Remove the PIVOT PINS and RETAINING CLIPS from the bottom of the LIFT ACTUATOR.
7. Remove the LIFT ACTUATOR from the unit.
8. Remove the CLEVIS and COTTER PINS located at the pivot points of the LIFT FRAME.
9. Remove and discard the LIFT FRAME.
10. Install the new LIFT FRAME and secure it into position with the CLEVIS and COTTER PINS.
11. Position the new LIFT ACTUATOR in the unit.
12. Secure the top of the LIFT ACTUATOR to the lift channel using the CLEVIS and COTTER PIN that was removed in Step 4.
13. Secure the bottom of the LIFT ACTUATOR to the LIFT FRAME using the 3/8" bolt and nut supplied.
14. Connect the LIFT ACTUATOR 4-PIN CONNECTOR to P7 on the CONTROL BOARD.
15. With the provided wire ties secure the cables to the LIFT CHANNEL.
16. Test the treadmill to insure proper operation.



## Free Manuals Download Website

<http://myh66.com>

<http://usermanuals.us>

<http://www.somanuals.com>

<http://www.4manuals.cc>

<http://www.manual-lib.com>

<http://www.404manual.com>

<http://www.luxmanual.com>

<http://aubethermostatmanual.com>

Golf course search by state

<http://golfingnear.com>

Email search by domain

<http://emailbydomain.com>

Auto manuals search

<http://auto.somanuals.com>

TV manuals search

<http://tv.somanuals.com>