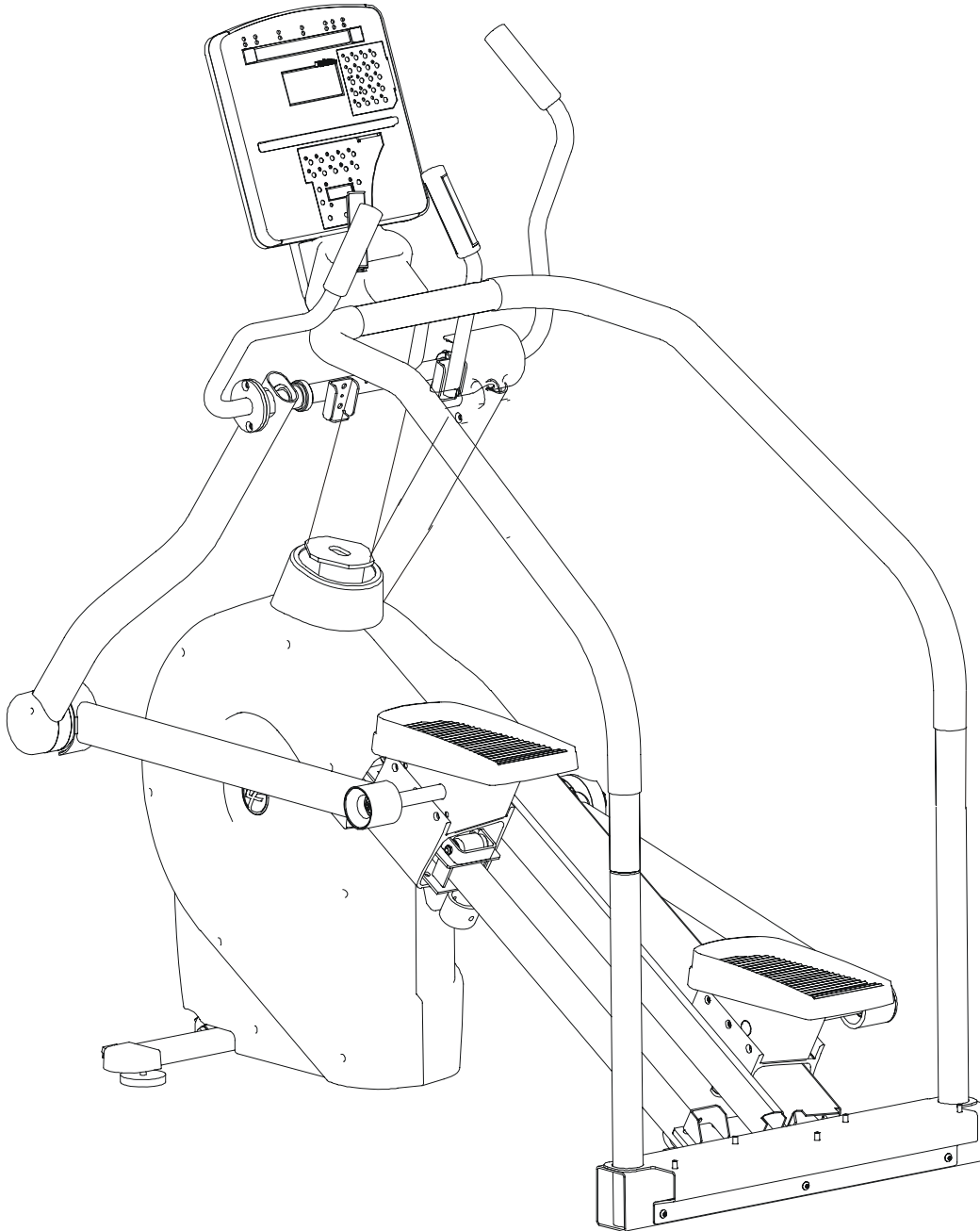


LifeFitness

ARCTIC SILVER SUMMIT
TRAINER 95L-0XXX-01



Customer Support Services
PARTS MANUAL rev 15 Jan 2008

MISCELLANEOUS	3
CONSOLE SUPPORT & DEADSHAFT COVERS.....	4
USER ARMS AND HARDWARE	5
MONOCOLUMN, HANDRAIL AND VERTICAL UPRIGHTSS.....	6
CONSOLE AND RELATED COMPONENTS	7
SHROUDS, BOOT AND REAR STEP ASSEMBLY	8
ROCKER ARMS AND CONTROL LINK ASSY'S	9
ROCKER ARM/CONTROL LINK COVERS.....	10
PEDAL TRACK COVERS AND HARDWARE.....	11
PEDALS, TRUCKS AND ROLLERS ASSEMBLY	12
RESISTOR ASSEMBLY AND CROSSOVER PULLEY.....	13
FLEXONIC BELTS AND TENSIONER BRACKET	14
CLUTCH SHAFT AND SPROCKETS	15
CLUTCH PULLEY AND SHAFT ASSEMBLY.....	16
TIMING BELTS AND SPRINGS	17
POWER CONTROL BOARD, BATTERY & ALTERNATOR	18
ACCESS PANEL, WHEELS AND LEG LEVELERS	19
LOWER TRACK COVER AND HARDWARE	20
CABLES	21

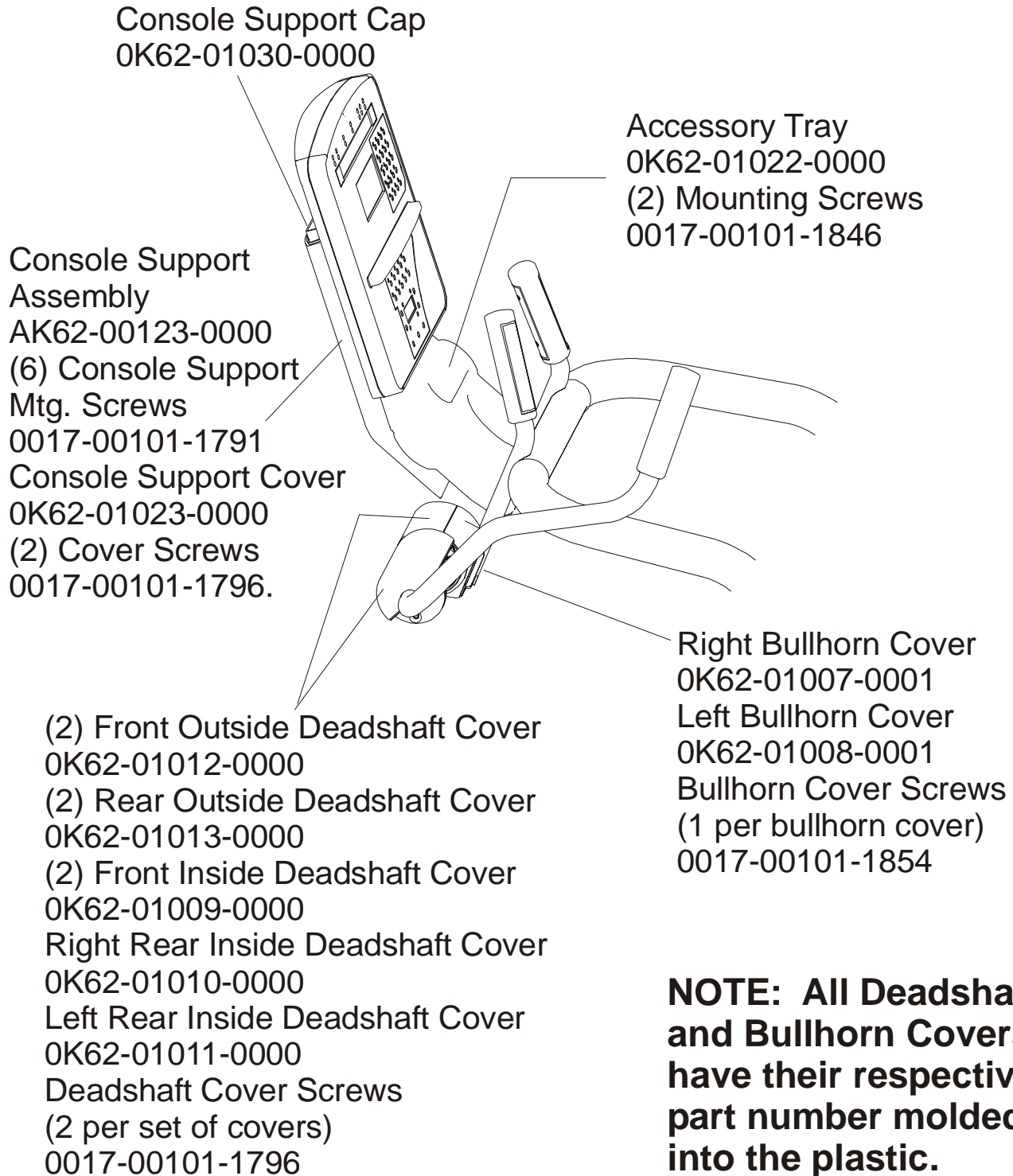
OPERATION MANUAL – (ENG)	M051-00K68-A001
OPERATION MANUAL – (F/S/P)	M051-00K68-A002
OPERATION MANUAL – (G/D/I)	M051-00K68-A003
OPERATION MANUAL – (JAP)	M051-00K68-A004
SERVICE MANUAL	M051-00K68-A030
TOUCH UP PAINT: SPRAY CAN .5 OZ BOTTLE W/APPLICATOR .33 OZ PEN	0017-00008-0204 0017-00008-0205 0017-00008-0206
PCB/ACCESS PANEL ASSY. ASSEMBLY CONSISTS OF: 1) POWER CONTROL BOARD 2) DC POWER CABLE 3) 120" COAX CABLE 4) 120" POWER EXTENSION CABLE 5) ACCESS PANEL BRACKET 6) F-TYPE PANEL CONNECTOR 7) PLASTIC GROMMET (QTY. 4)	AK68-00107-0000 B084-92218-D002 AK47-00063-0000 AK32-00020-0002 AK32-00078-0001 0K68-01031-0000 0017-00021-2846 0017-00042-0821
HARDWARE BAG	AK68-00198-0000

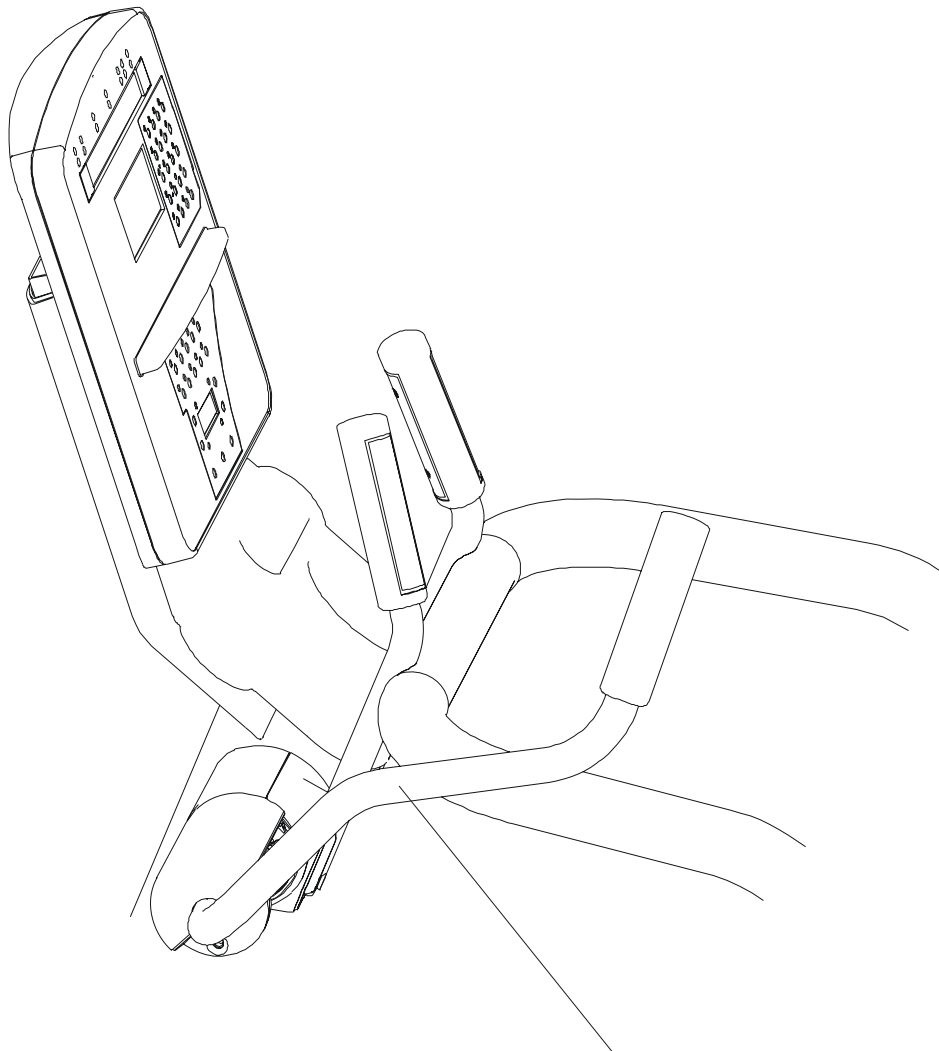
Note: When this model is ordered with an attachable LCD TV it becomes a 95LER-XXXX-01. See the Entertainment parts list marked LCD_0XXX-02 for the part numbers and descriptions for the attachable LCD TV, remote and hardware for this product.

The 95Li comes with both Telemetry and Life Pulse sensors and is pre-wired for the attachable LCD TV.

ARCTIC SILVER SUMMIT 95Li
Console Support & Deadshaft Covers

95L-0XXX-01
S/N LXX100000 AND UP





Right User Arm with grip

AK68-00143-0001

Left User Arm with grip

AK68-00143-0002

Grip

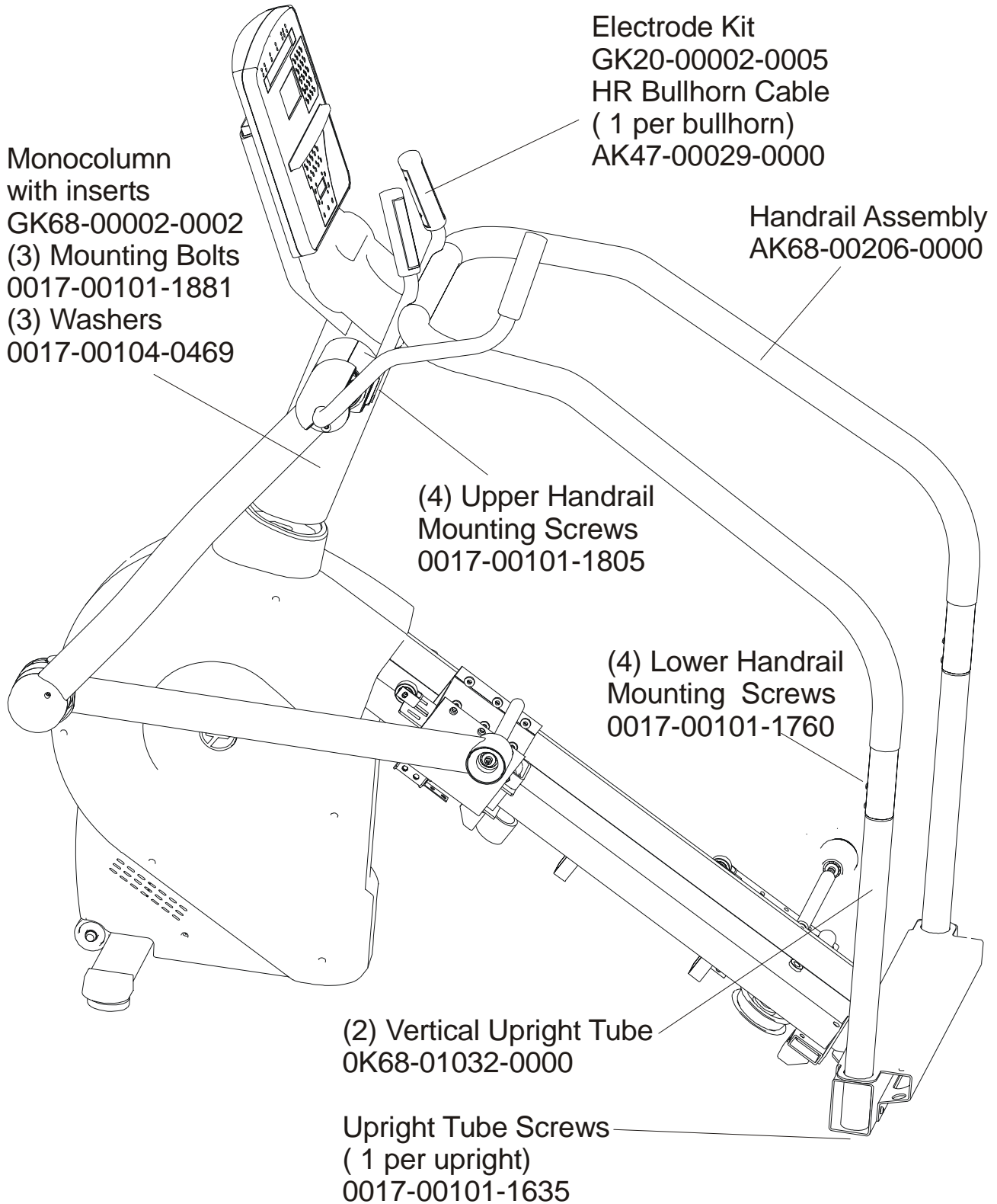
0K62-01138-0000

(3) User Arm Mtg. Screws

0017-00101-1791

ARCTIC SILVER SUMMIT 95Li
Monocolumn, Handrail and Vertical Uprights

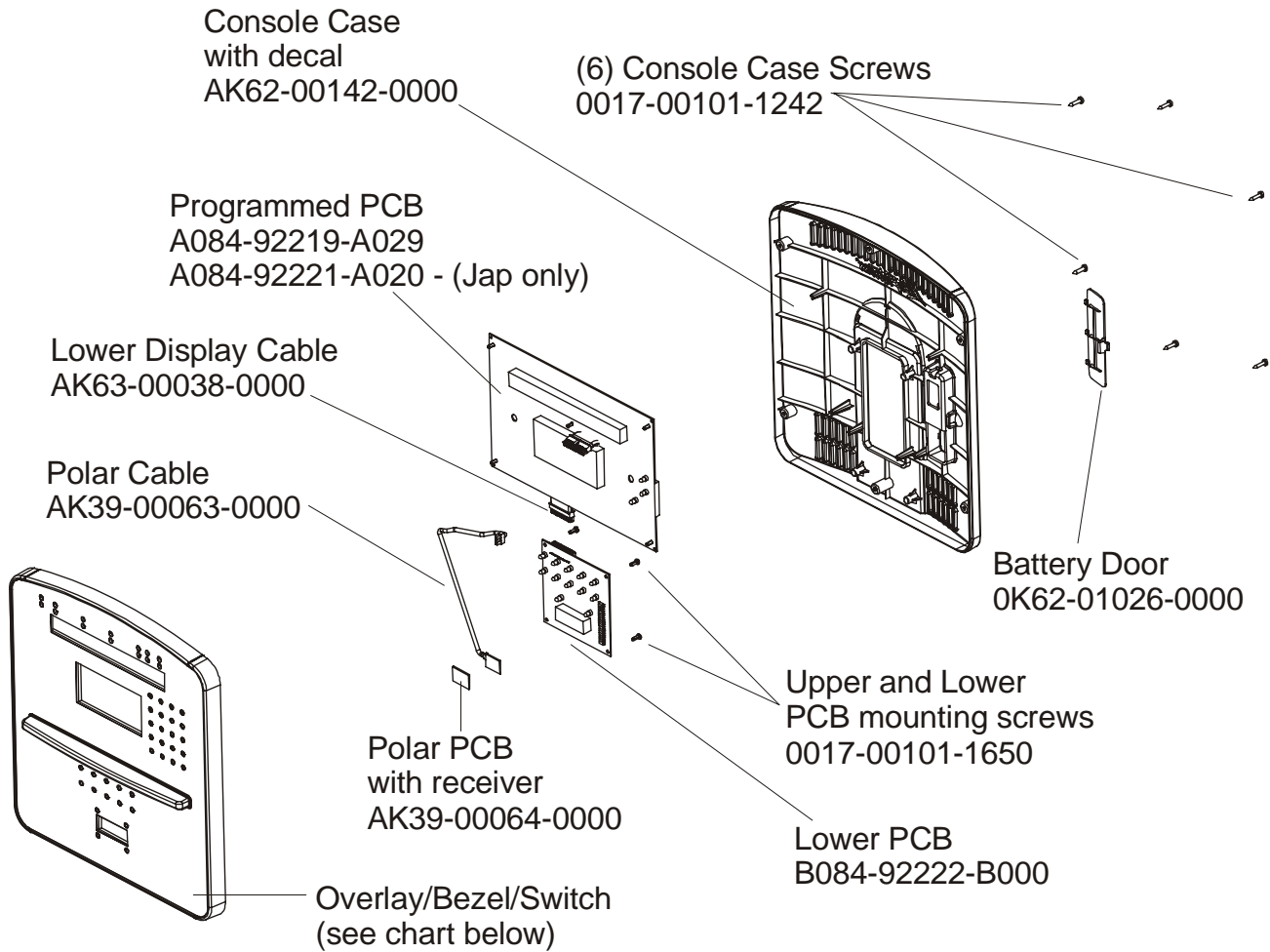
95L-0XXX-01
S/N LXX100000 AND UP



ARCTIC SILVER SUMMIT 95Li

Console & Related components

95L-0XXX-01
S/N LXX100000 AND UP



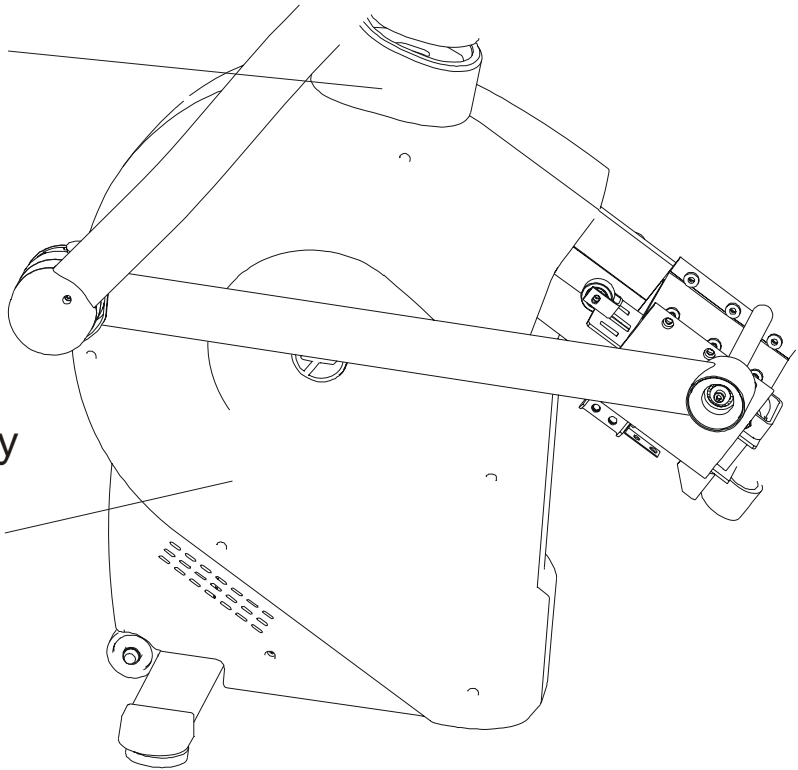
CONSOLE	OVERLAY/BEZEL/SWITCH	LANGUAGE
AK68-00183-0001	AK68-00184-0001	Eng/LED
AK68-00183-0002	AK68-00184-0001	Eng + Met
AK68-00183-0003	AK68-00184-0003	Ger/Met
AK68-00183-0004	AK68-00184-0004	Spn/Met
AK68-00183-0006	AK68-00184-0006	Jap/Met
AK68-00183-0007	AK68-00184-0007	Frn/Met
AK68-00183-0008	AK68-00184-0008	Ital/Met
AK68-00183-0009	AK68-00184-0009	Dut/Met
AK68-00183-0010	AK68-00184-0010	Port/Met
AK68-00183-0014	AK68-00184-0014	Eng/Tur

ARCTIC SILVER SUMMIT 95Li
Shrouds, Boot and Rear Step Assy.

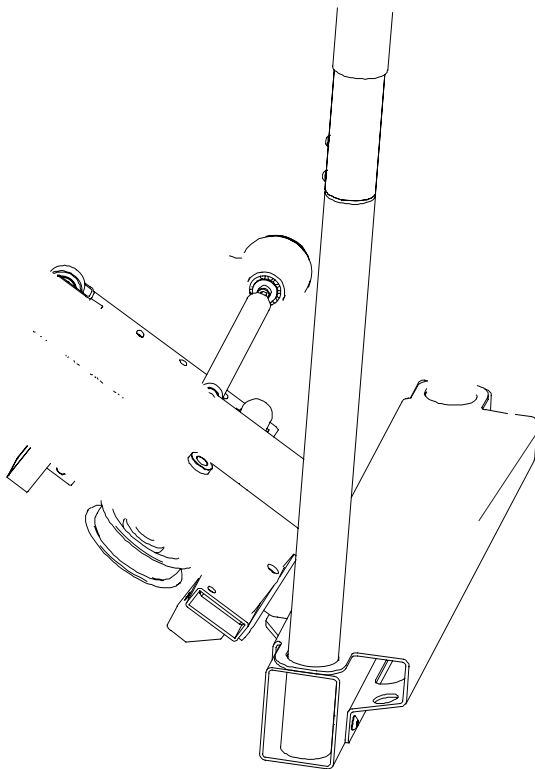
95L-0XXX-01
S/N LXX100000 AND UP

Monocolumn Boot
0K68-01061-0000

Right Shroud Assembly
AK68-00176-0000
Left Shroud Assembly
AK68-00176-0001
Shroud Mtg. Screws
(6 per shroud)
0017-00101-1796

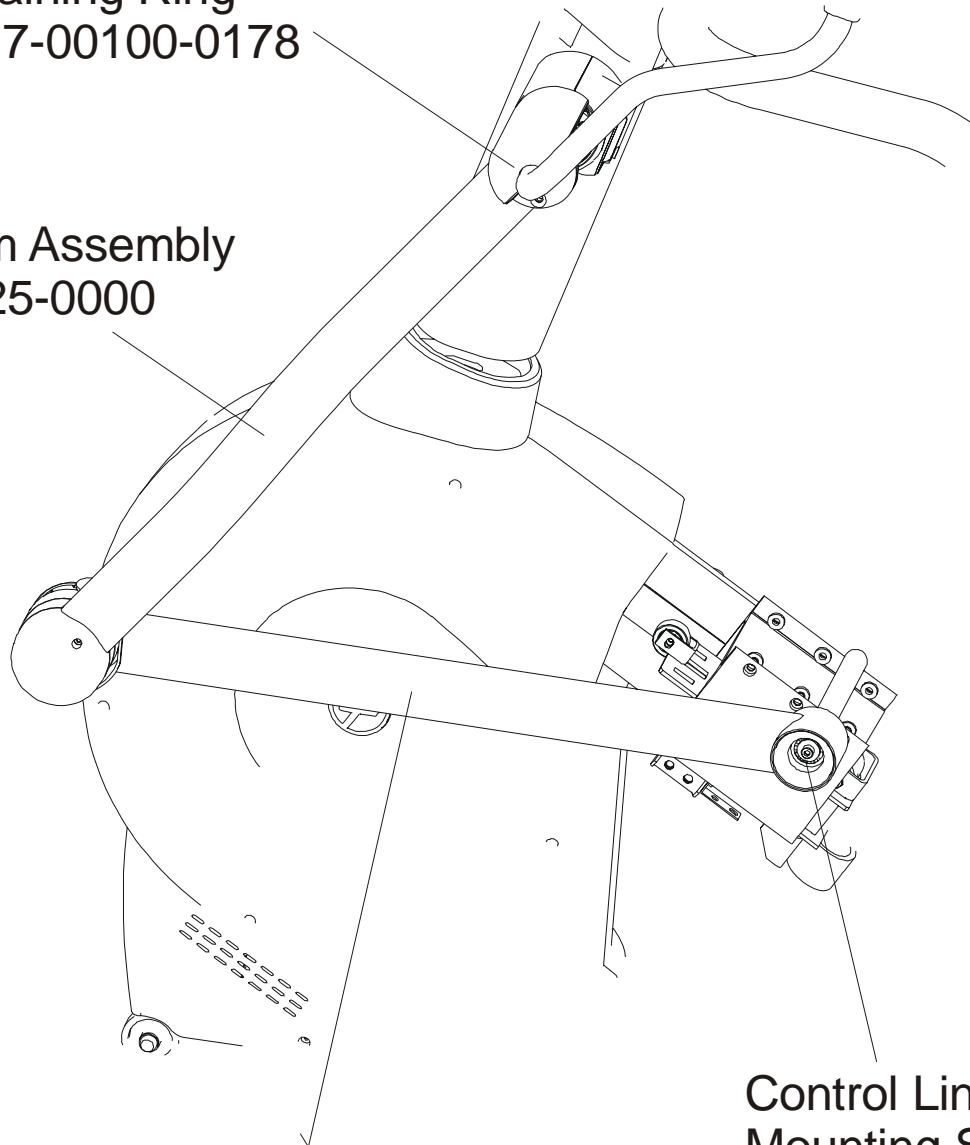


Rear Step (plastic only)
0K68-01020-0000
Rear Step Assembly
AK68-00136-0000
(3) Rear Step Mounting Screws
0017-00101-1903



Rocker Arm Washer
0017-00104-0418
Retaining Ring
0017-00100-0178

Rocker Arm Assembly
AK68-00125-0000

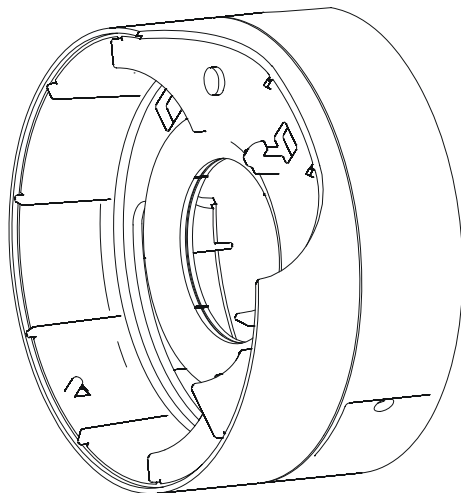
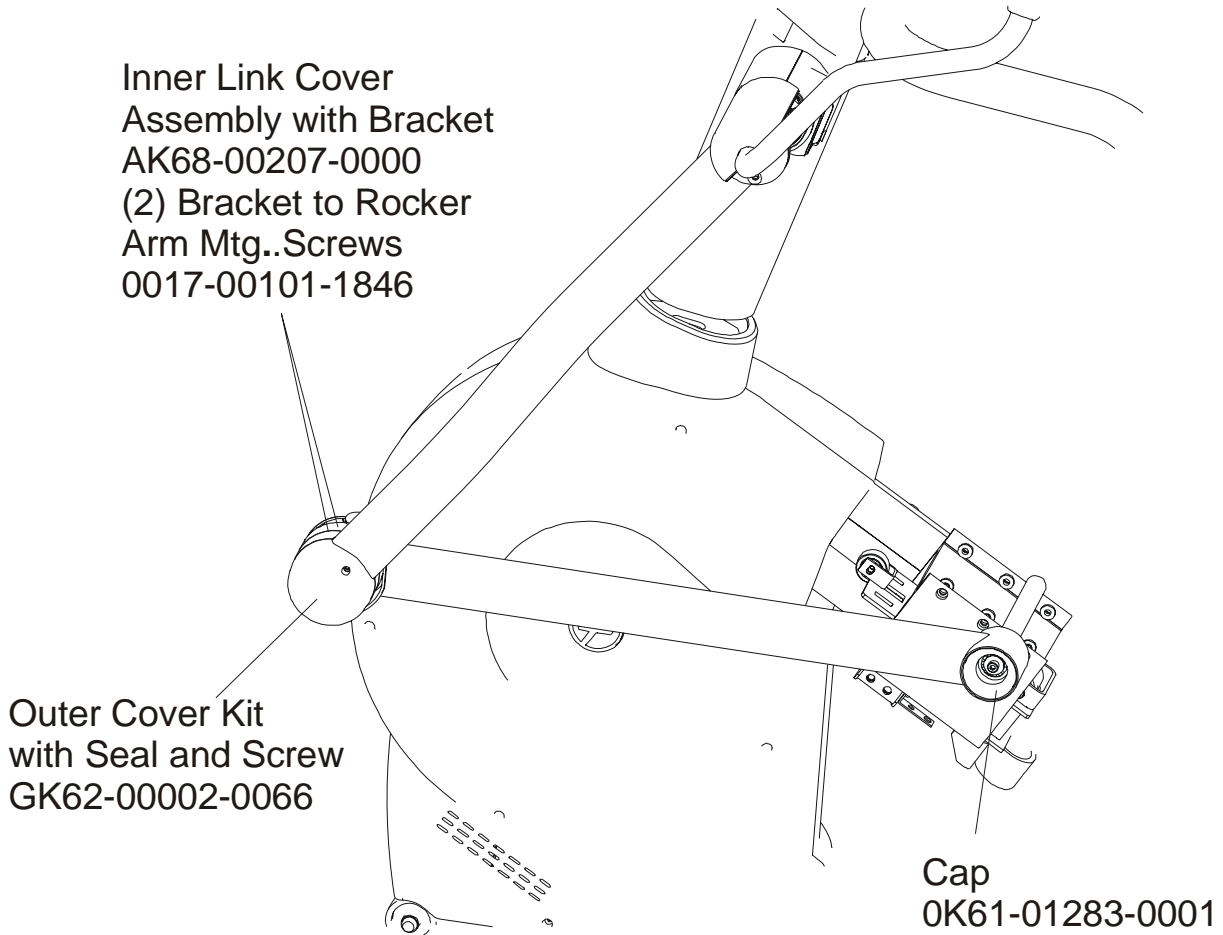


Control Link Assembly
AK68-00147-0000

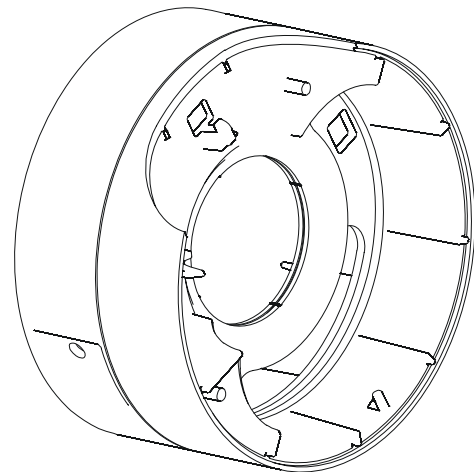
Control Link
Mounting Screw
0017-00101-1881
and Washer
0017-00104-0479

ARCTIC SILVER SUMMIT 95Li
Rocker Arm/Control Link Covers

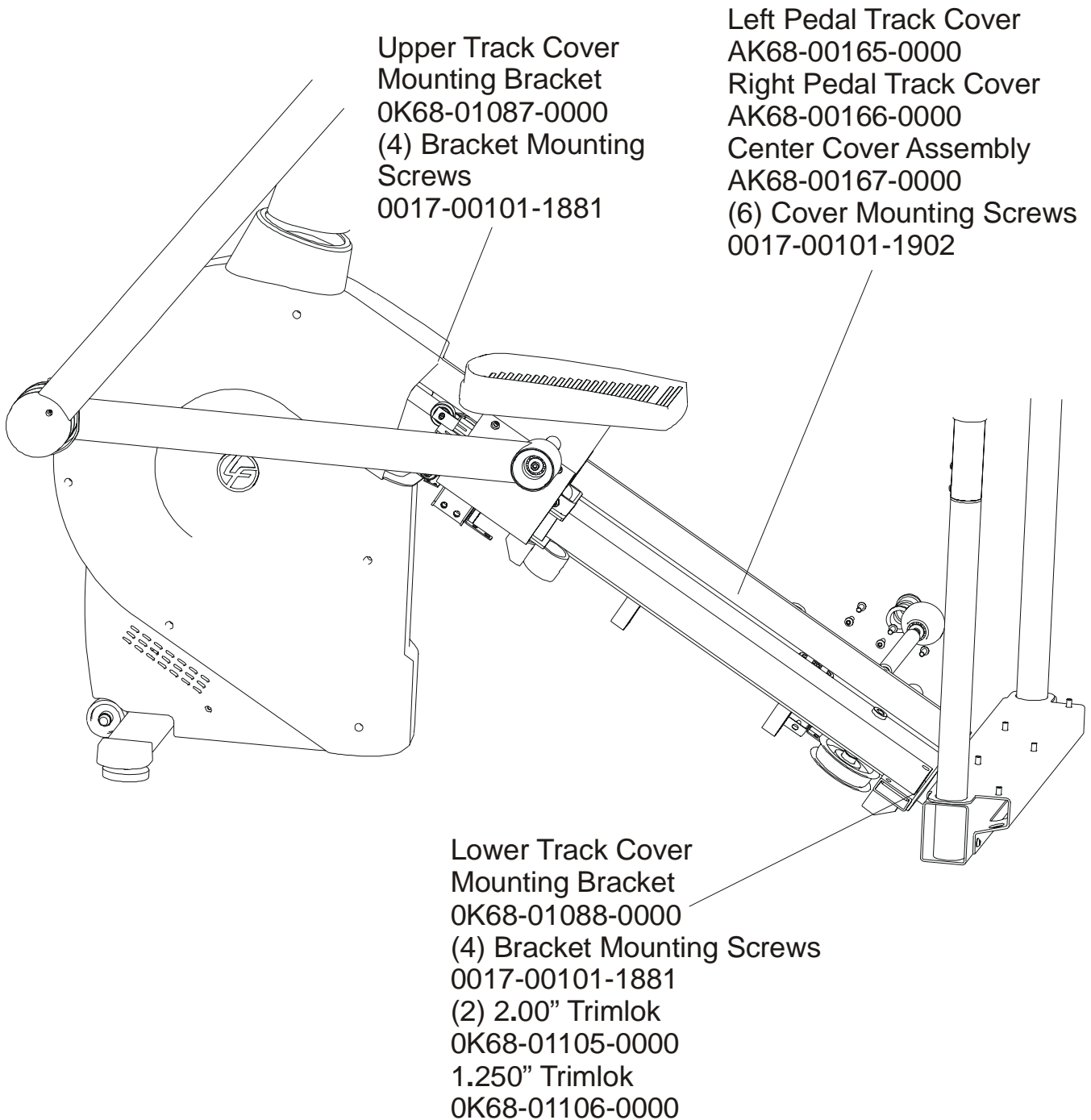
95L-0XXX-01
S/N LXX100000 AND UP



Right Clevis Cover Assy.
AK68-00154-0001

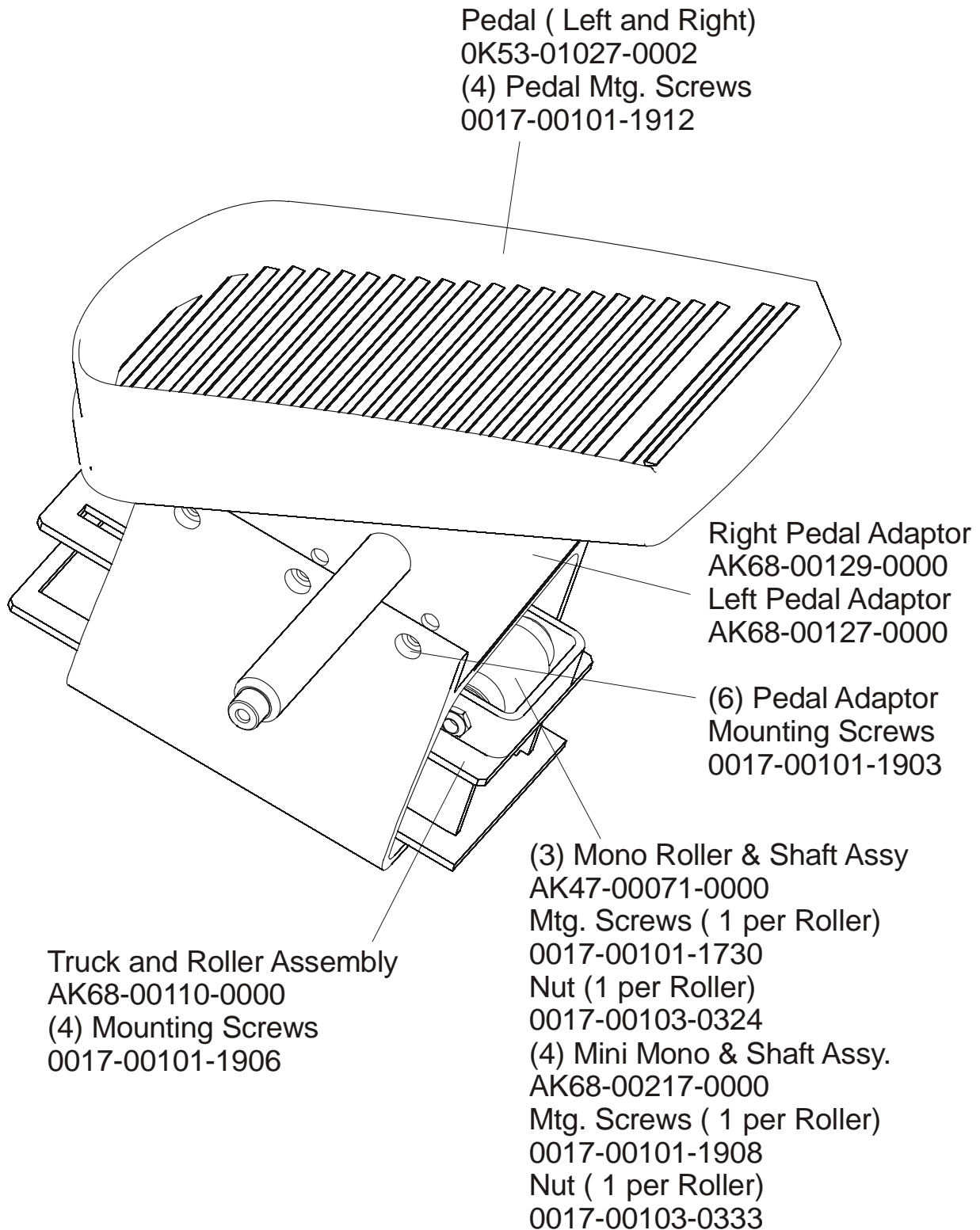


Left Clevis Cover Assy.
AK68-00154-0002



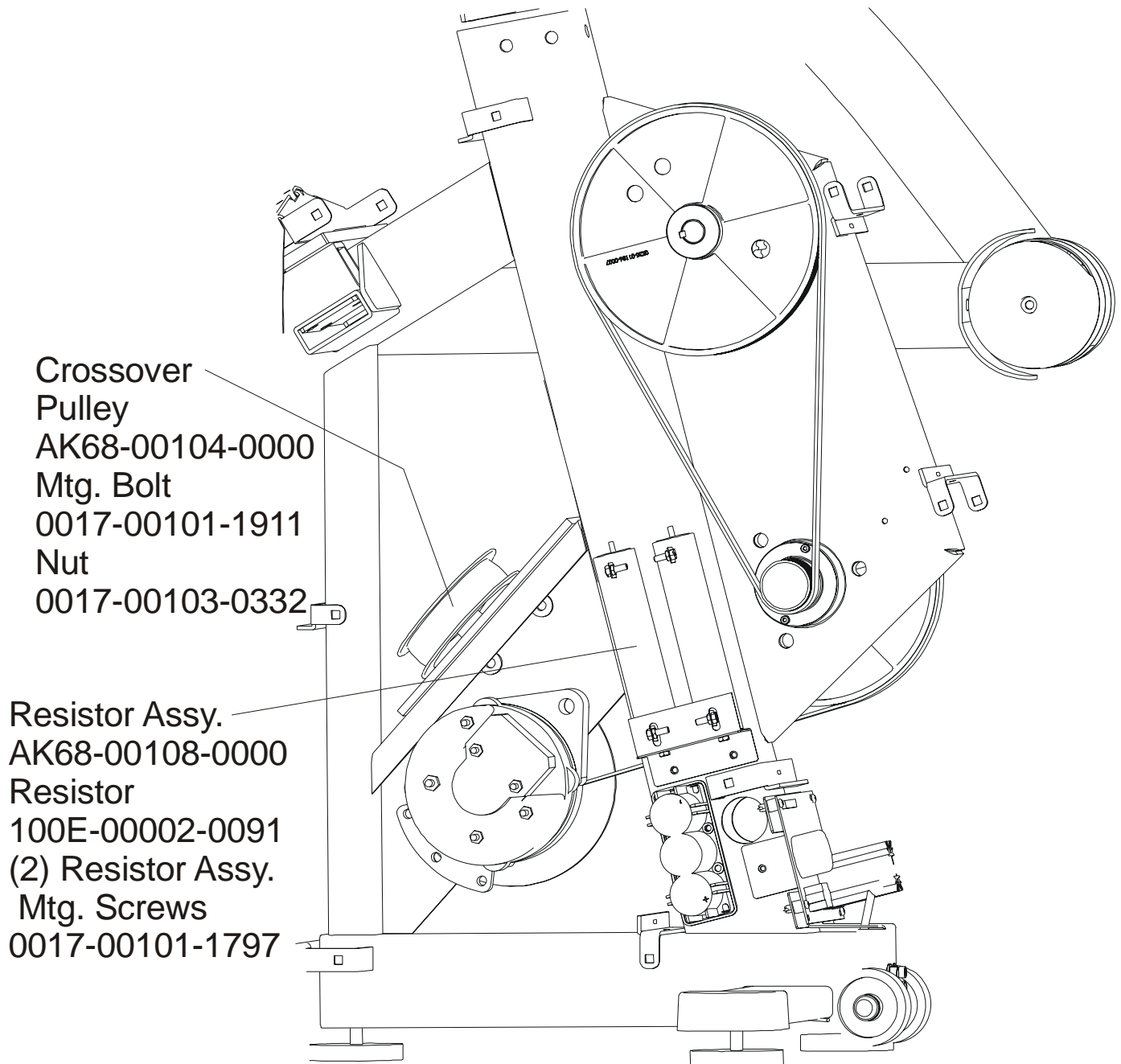
ARCTIC SILVER SUMMIT 95Li
Pedals, Truck and Rollers Assembly

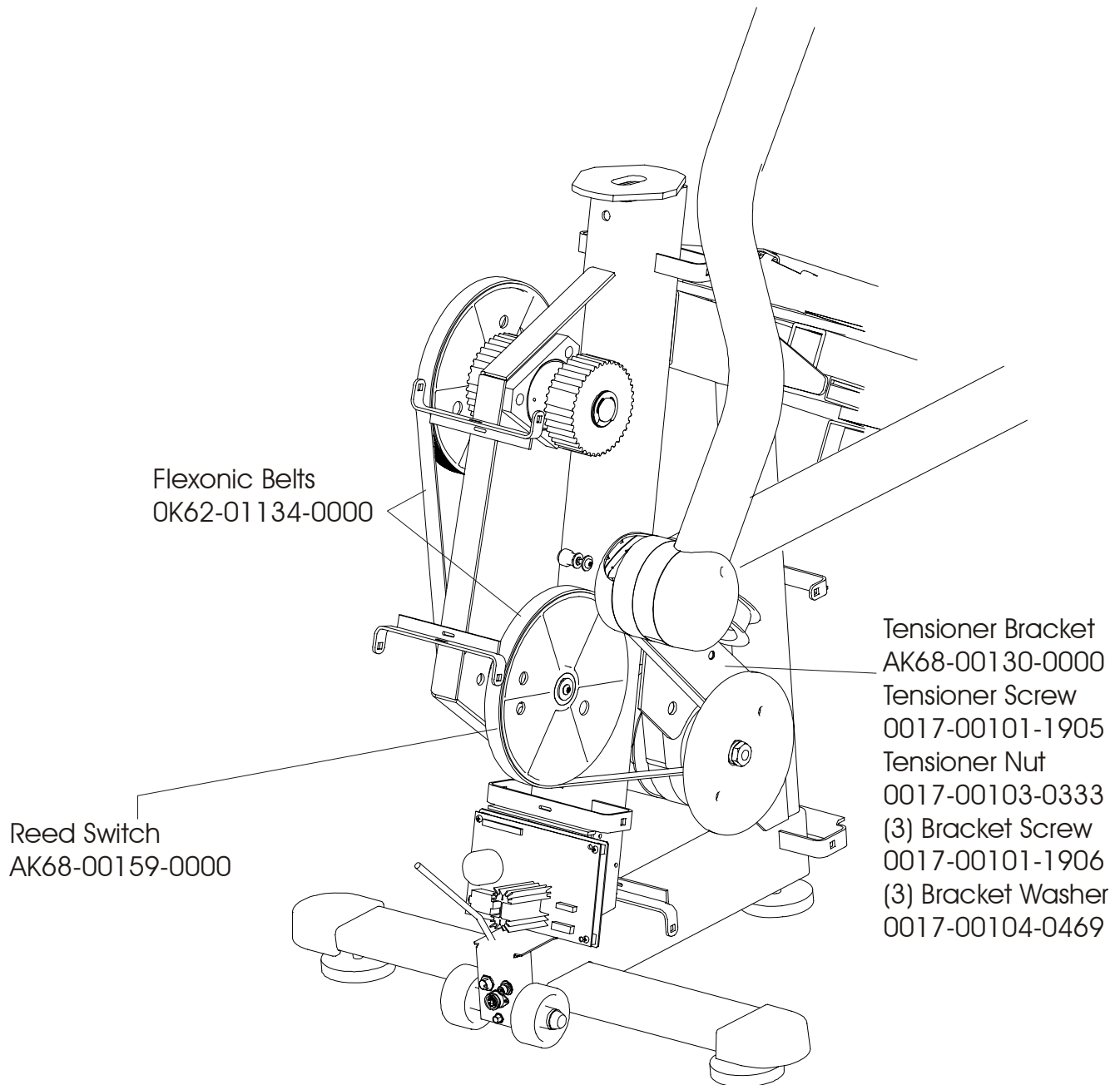
95L-0XXX-01
S/N LXX100000 AND UP



ARCTIC SILVER SUMMIT 95Li
Resistor Assembly and Crossover Pulley

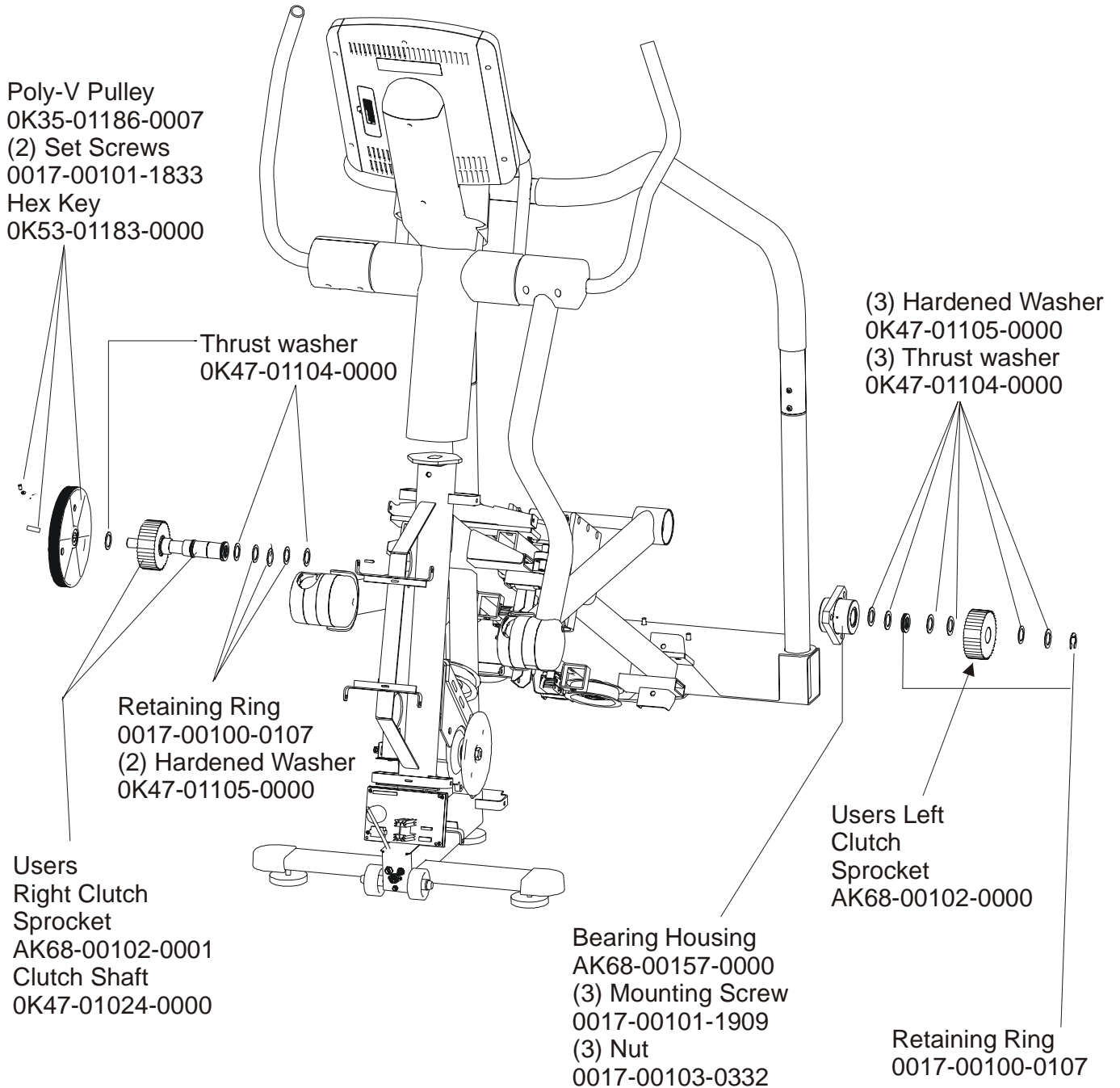
95L-0XXX-01
S/N LXX100000 AND UP





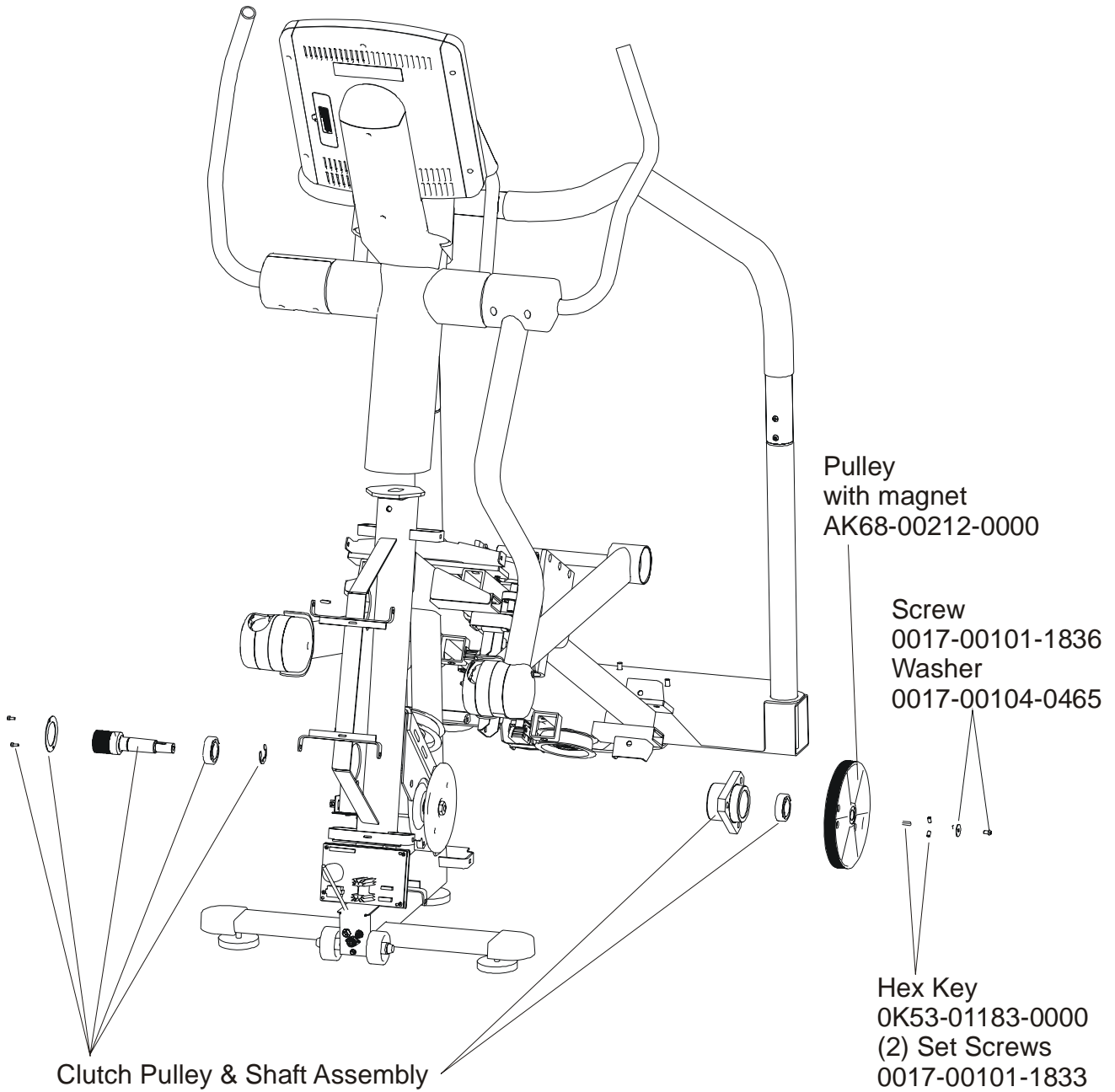
ARCTIC SILVER SUMMIT 95Li
Clutch Shaft and Sprockets

95L-0XXX-01
S/N LXX100000 AND UP



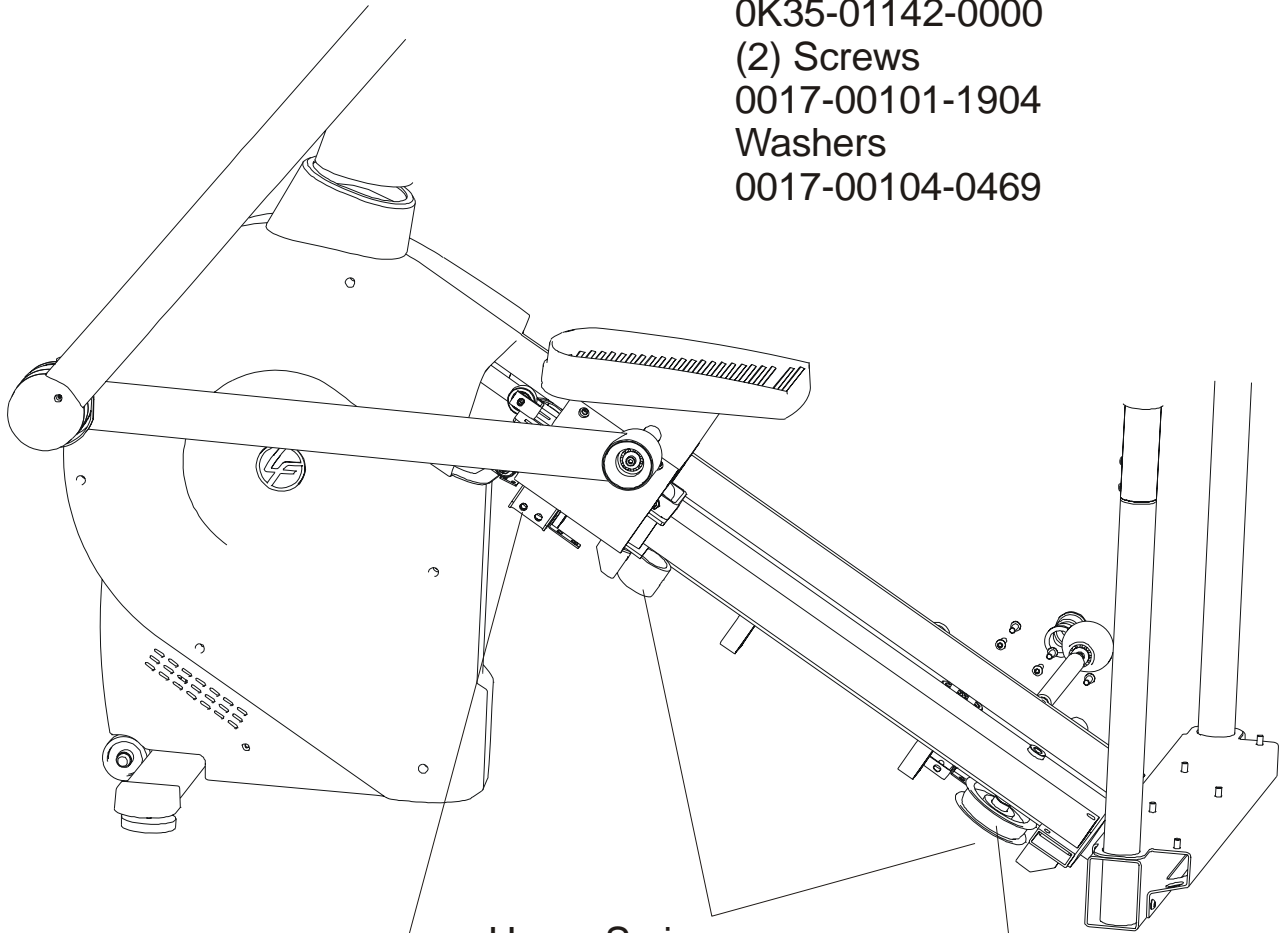
ARCTIC SILVER SUMMIT 95Li
Clutch Pulley and Shaft Assembly

95L-0XXX-01
S/N LXX100000 AND UP



NOTE: The following parts are used on each end of both Timing belts:

- Belt Terminator
0K35-01105-0000
- Bracket
0K35-01142-0000
- (2) Screws
0017-00101-1904
- Washers
0017-00104-0469



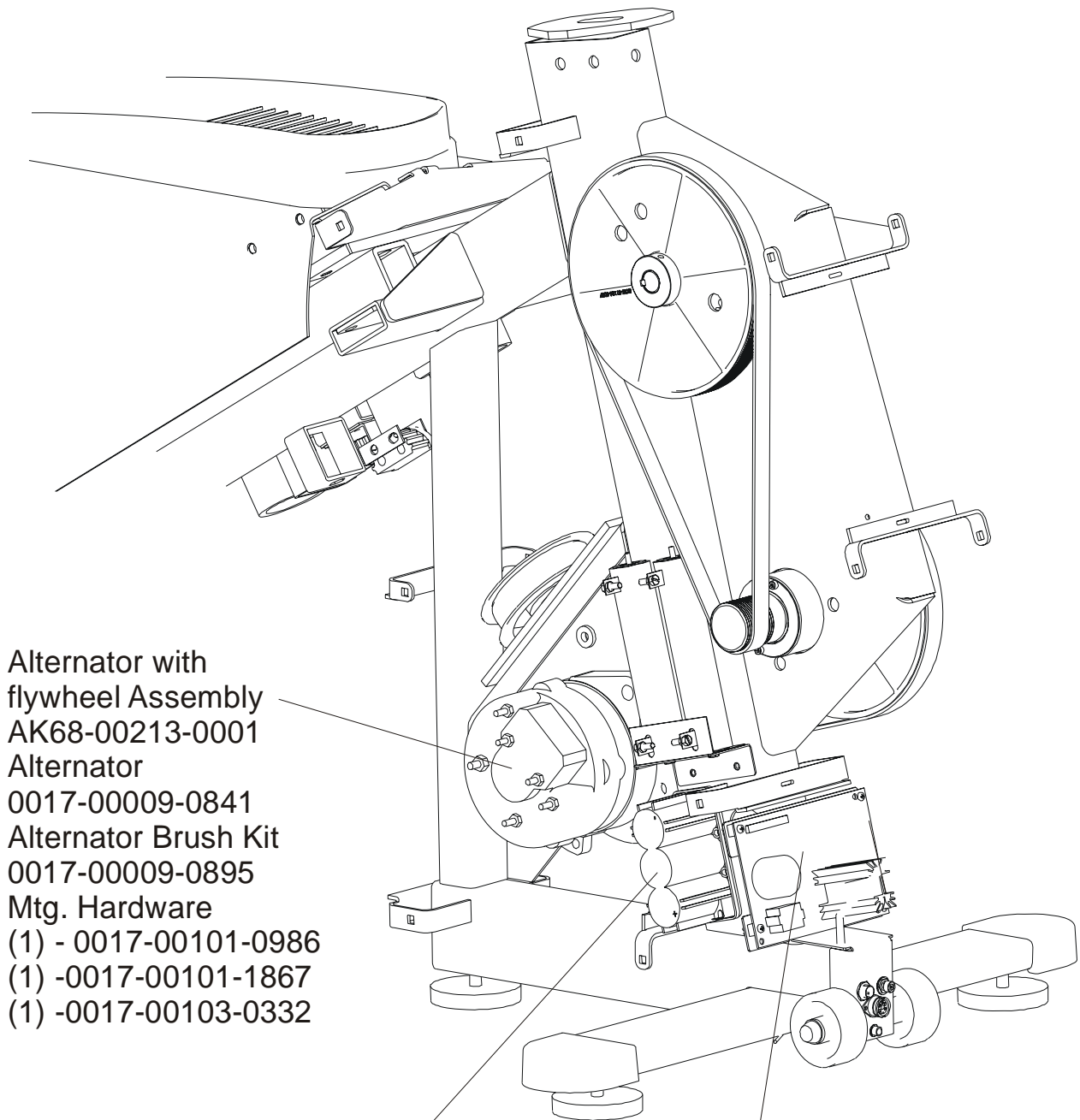
Upper Timing Belt
AK68-00210-0000

- Upper Spring
0K68-01051-0000
- Lower Spring
0K68-01081-0000
- Mounting screw
(1 per Spring)
0017-00101-1902
- Washer
(1 per Spring)
0017-00104-0465

- Crossover Pulley
AK68-00104-0000
- Pulley Mtg. Screw
0017-00101-1911
- Nut
0017-00103-0332
- Lower Timing Belt
AK68-00211-0000

ARCTIC SILVER SUMMIT 95Li
Lower PCB, Battery and Alternator

95L-0XXX-01
S/N LXX100000 AND UP



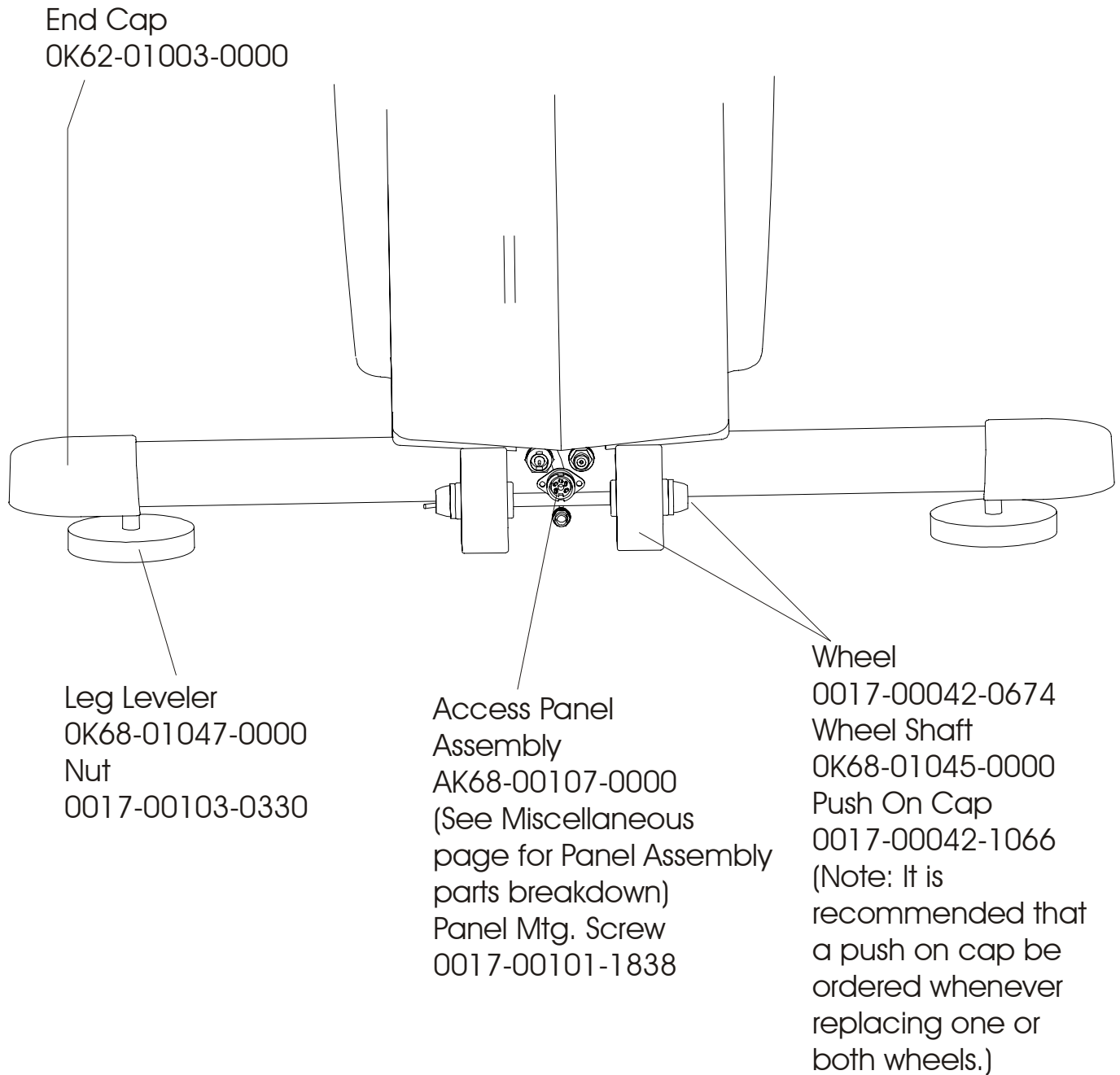
Alternator with
flywheel Assembly
AK68-00213-0001
Alternator
0017-00009-0841
Alternator Brush Kit
0017-00009-0895
Mtg. Hardware
(1) - 0017-00101-0986
(1) - 0017-00101-1867
(1) - 0017-00103-0332

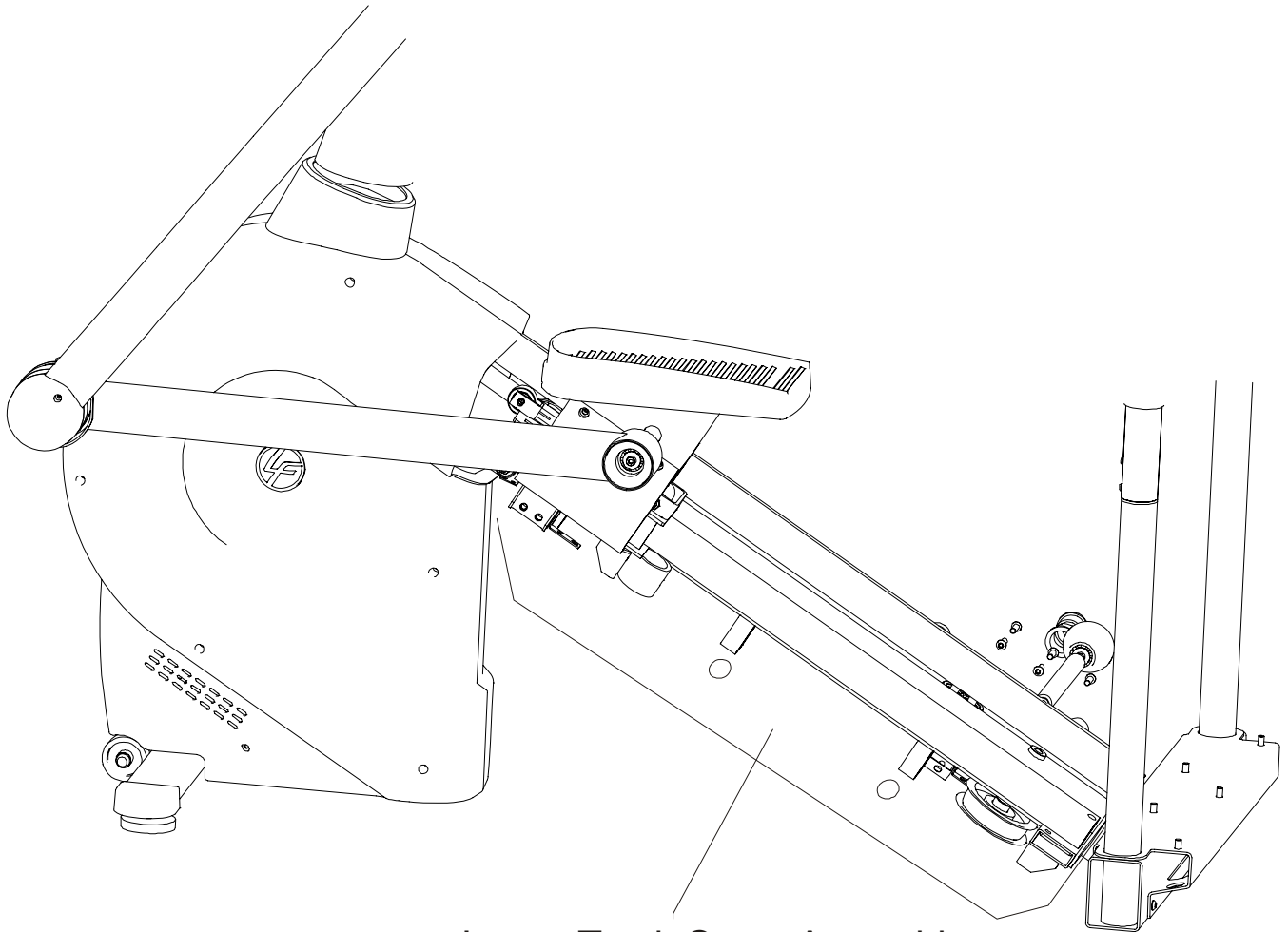
6 Volt Battery
0017-00003-0685
(2) Battery Mtg. Screws
0017-00101-1797

Power Control Board
B084-92218-D002
(4) PCB Mtg. Screws
0017-00101-1838

ARCTIC SILVER SUMMIT 95Li
Access Panel, Wheels and Leg Levelers

95L-0XXX-01
S/N LXX100000 AND UP



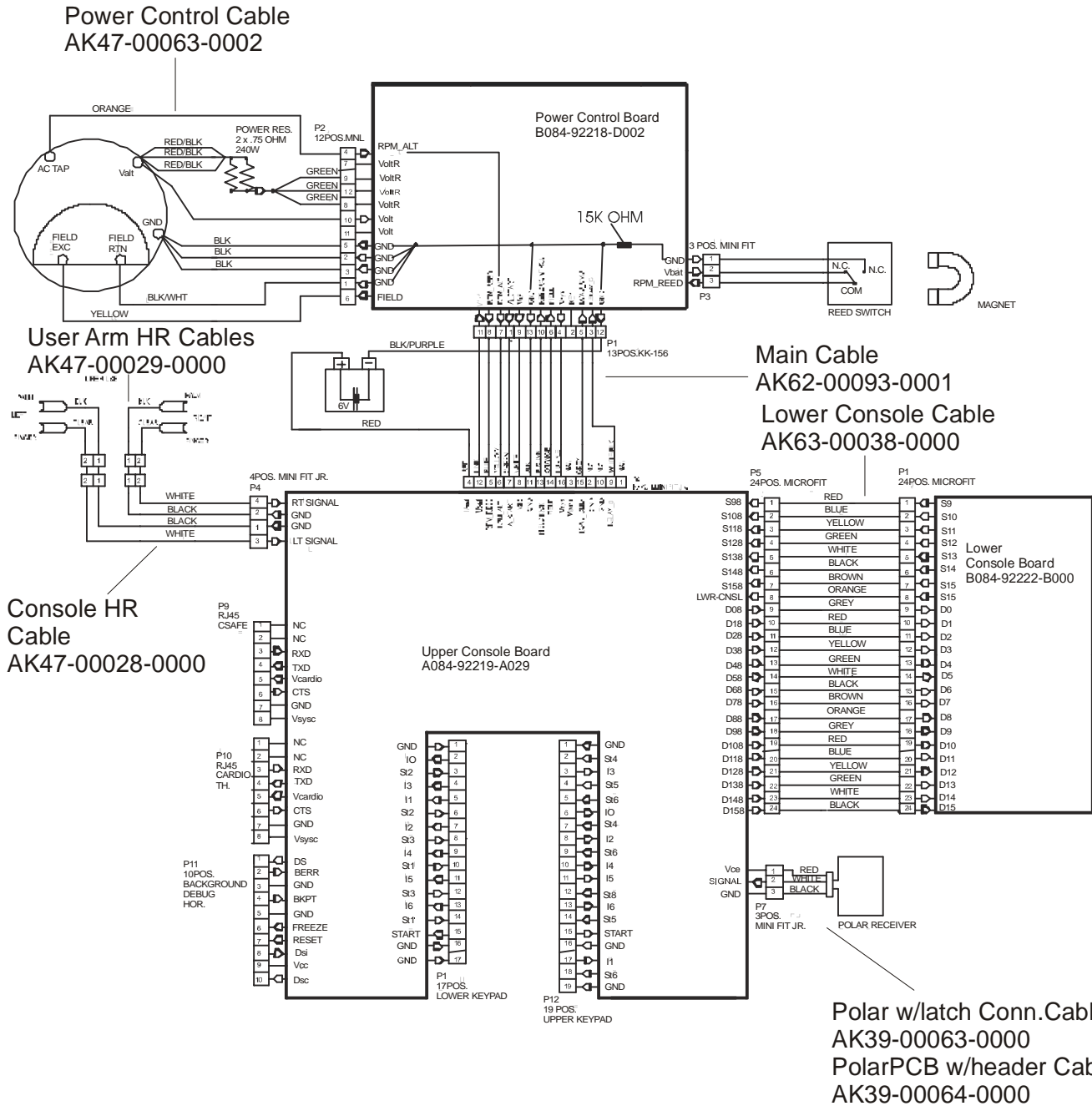


Lower Track Cover Assembly
AK68-00220-0000
Mounting Screw (3)
0017-00101-1906
Washer, Nylon (3)
0017-00104-0485
Flat Washer (3)
0017-00104-0479

ARCTIC SILVER SUMMIT 95Li

Cables

95L-0XXX-01
S/N LXX10000 AND UP



Free Manuals Download Website

<http://myh66.com>

<http://usermanuals.us>

<http://www.somanuals.com>

<http://www.4manuals.cc>

<http://www.manual-lib.com>

<http://www.404manual.com>

<http://www.luxmanual.com>

<http://aubethermostatmanual.com>

Golf course search by state

<http://golfingnear.com>

Email search by domain

<http://emailbydomain.com>

Auto manuals search

<http://auto.somanuals.com>

TV manuals search

<http://tv.somanuals.com>