

How To...Install U-Bracket

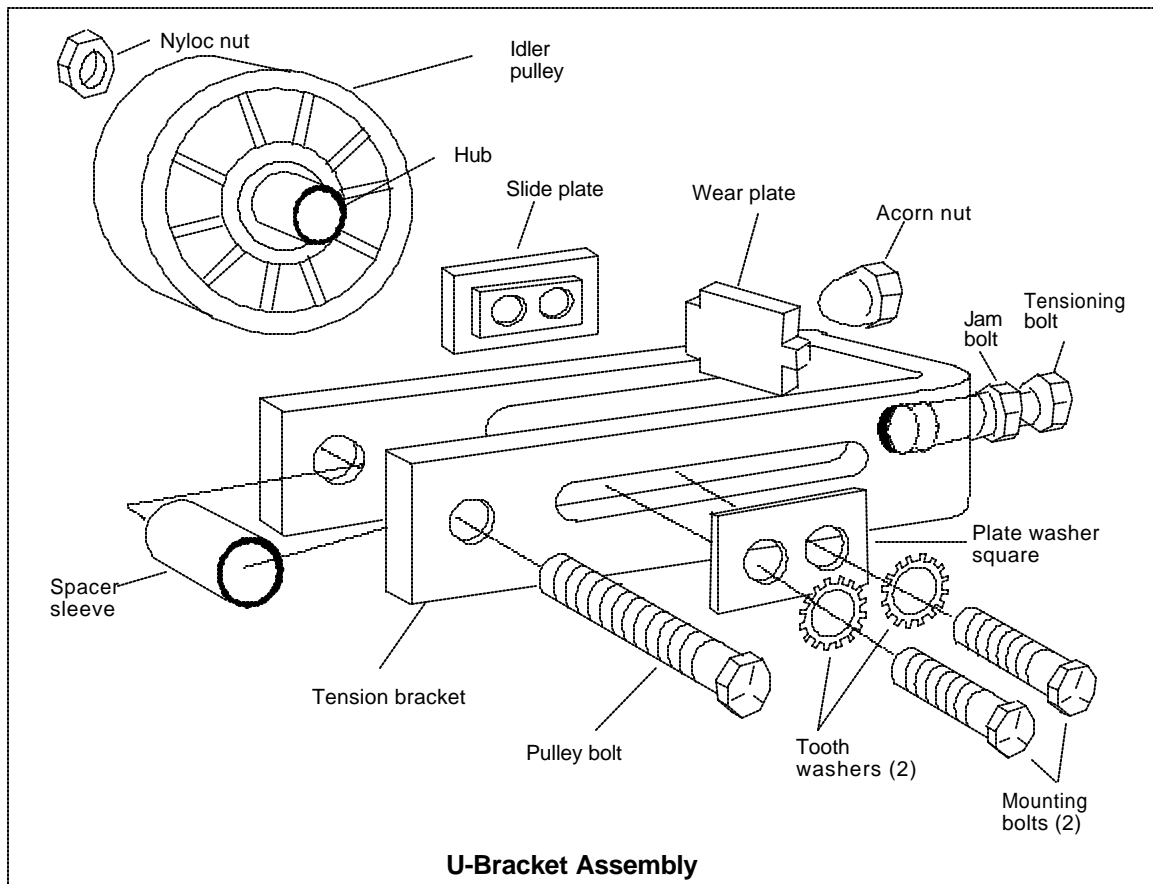
Tools Required: Two 9/16 inch wrenches or sockets

KIT # GK53-00002-0012

REPLACING BRACKET ASSEMBLY # AK53-00053-0000

WARNING: Turn the power OFF at the ON/OFF switch and disconnect the plug from the electrical outlet prior to servicing any machine operating on AC current.

1. Turn the unit off and unplug the power cord from the wall.
2. Loosen (do not remove) the two bracket mounting bolts.
3. Back out the tensioning bolt from the tension bracket.
4. Remove the bracket mounting bolts and remove the two-piece bracket assembly.
5. Discard the two-piece bracket.



INSTALLING U-BRACKET KIT# GK53-00002-0012

WARNING: Make sure the power is OFF at the ON/OFF switch and disconnect the plug from the electrical outlet prior to servicing any machine operating on AC current.

1. Position the U-bracket with wide slot to the inside of the frame and the narrow slot over the mounting holes in the frame.
2. Place external tooth washer on each mounting bolt and install square plate washer over the mounting bolts.
3. Install the bolts through the U-bracket narrow slot and mounting holes in the frame.
4. Position the slide plate on the back side of the U-bracket and hand tighten the mounting bolts into the threaded plate.

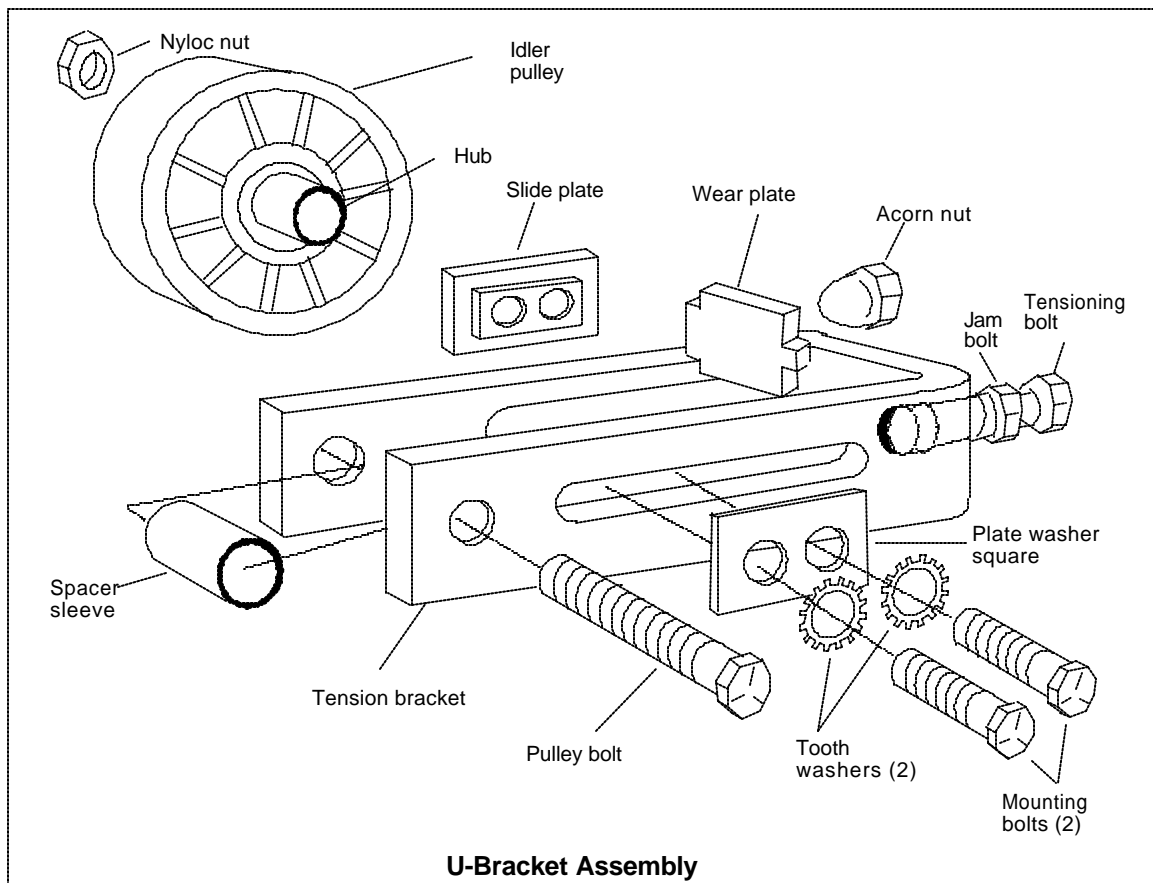
How To...Install U-Bracket (Continued)

Tools Required: Two 9/16 inch wrenches or sockets

KIT # GK53-00002-0012

5. Next position the spacer sleeve between the fork end of the U-bracket.
6. Position the pulley bolt through the bracket and spacer.
7. Now install the idler pulley on the bolt with its hub facing against the back side U-bracket.
8. Secure the nyloc nut and tighten.
9. Place the main drive belt onto the idler pulley.
10. Position the wear plate between the slots of the U-bracket up against the frame.
11. Turn in the tensioning bolt as required to adjust the belt tension.
12. Using a belt tensioning gauge, adjust new belt tension from 165 to 170 lbs, and existing belt from 160 to 165 lbs. If a belt tensioning gauge is unavailable, place a straight edge between the intermediate pulley and the crank pulley then at the center of the belt press down on the belt and measure for deflection which should be a 1/4 inch.
13. With the main drive belt properly tensioned, tighten the bracket mounting bolts 5 to 10 ft. lbs.

NOTE: Over tightening the mounting bolts will cause damage to the slide plate.



Free Manuals Download Website

<http://myh66.com>

<http://usermanuals.us>

<http://www.somanuals.com>

<http://www.4manuals.cc>

<http://www.manual-lib.com>

<http://www.404manual.com>

<http://www.luxmanual.com>

<http://aubethermostatmanual.com>

Golf course search by state

<http://golfingnear.com>

Email search by domain

<http://emailbydomain.com>

Auto manuals search

<http://auto.somanuals.com>

TV manuals search

<http://tv.somanuals.com>