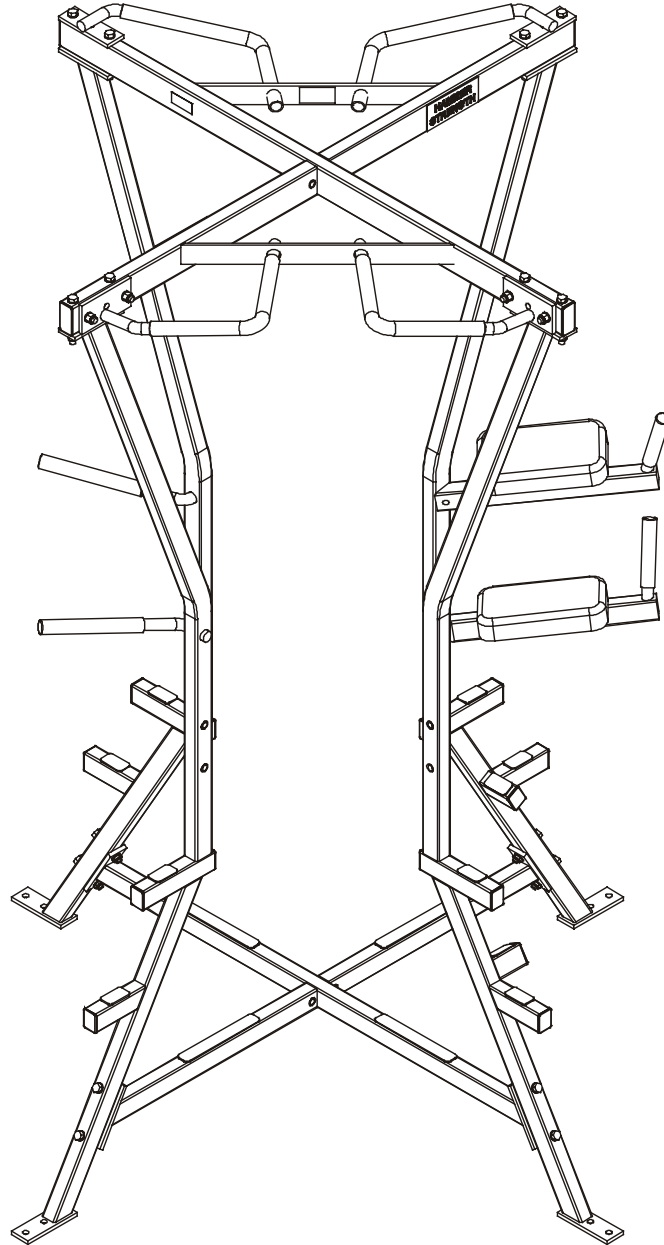


# *LifeFitness*

## HAMMER STRENGTH BWCDLR - BODY WT CHIN/DIP/LEG RAISE



## Customer Support Services ***PARTS MANUAL***

# **BWCDLR - BODY WT CHIN/DIP/LEG RAISE**

**Notes:**

---

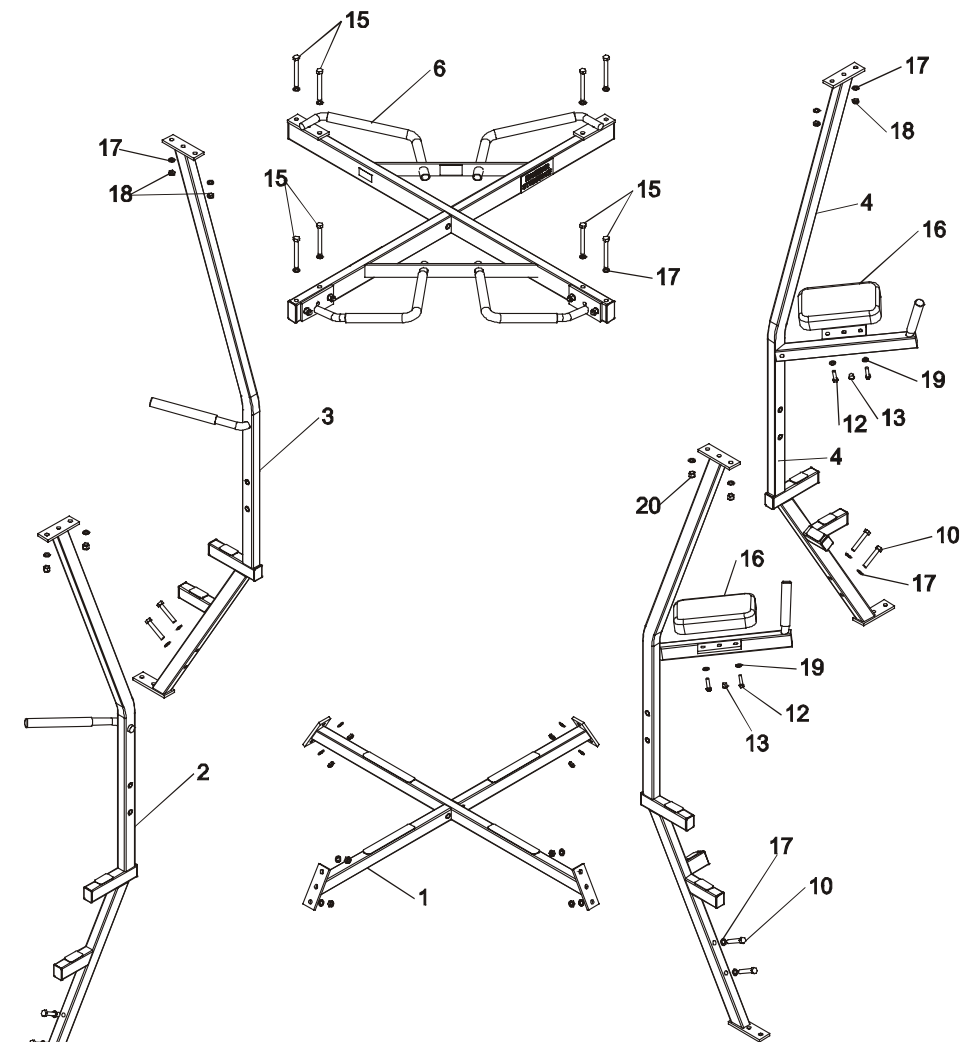
# BWCDLR - BODY WT CHIN/DIP/LEG RAISE

## Contents

---

	<b>PAGE</b>
COMPONENT ASSEMBLY.....	4
TOP FRAME ASSEMBLY.....	5
LEFT SIDE FRAME.....	6
BOTTOM FRAME ASSEMBLY.....	7

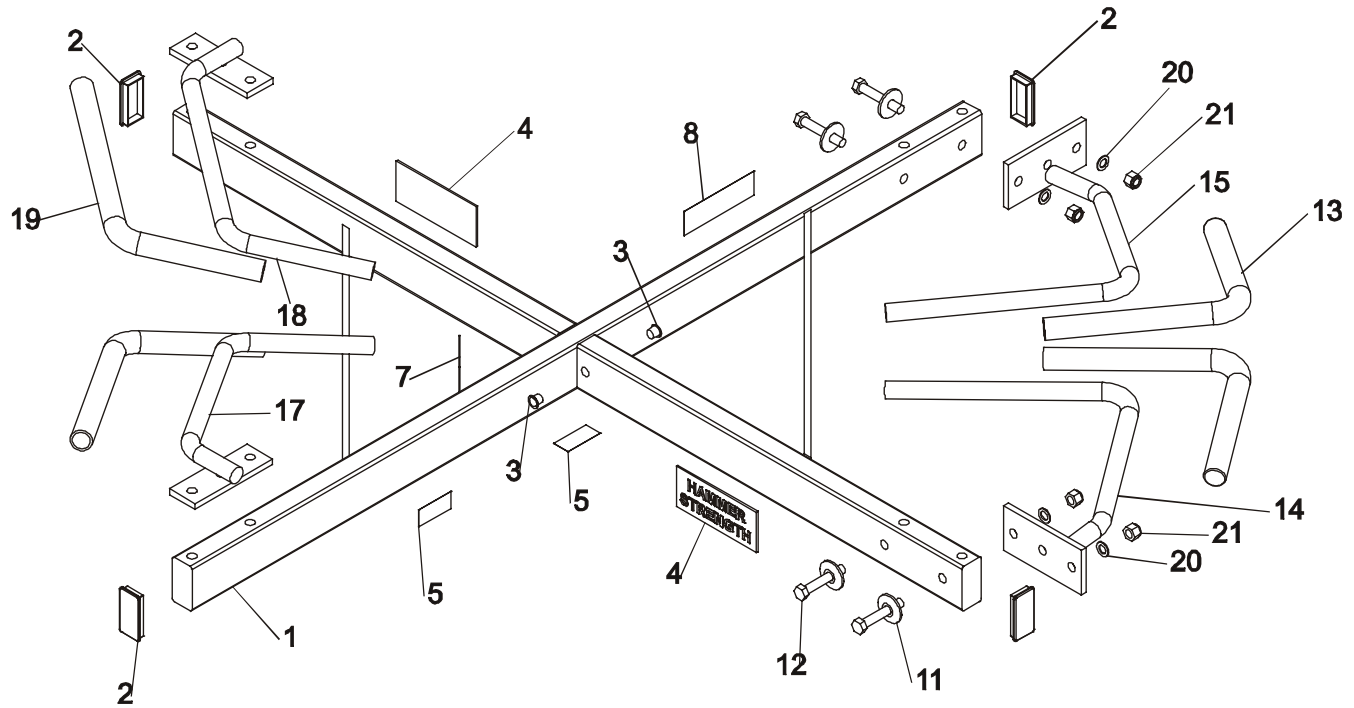
# BWCDLR - BODY WT CHIN/DIP/LEG RAISE COMPONENT ASSEMBLY



ITEM NO	QTY.	PART NO.	DESCRIPTION
1	1	BWCDLR-CBX-0	Bottom Frame Assembly
2	1	BWCD-CSFL-0	Chin SF Left Assembly
3	1	BWCD-CSFR-0	Chin SF Right Assembly
4	1	BWCDLR-CSFL-0	LR Side Frame Right Assembly
5	1	BWCDLR-CSFR-0	DR Side Frame Left Assembly
6	1	BWCDLR-CTX-0	Top Frame Assembly
10	8	HHB.5X3	1/2 X 3 Bolt
12	4	HHB.375X1.5	3/8 X 1 1/2 Bolt
13	2	H-HPLUG	Hole Plug
15	8	HHB.5X4.5	1/2 X 4 1/2 Bolt
16	2	U10-4.5	Pad, 10-4.5
17	32	0017-00104-0379	1/2" Internal Lock Washer
18	12	0017-00103-0224	1/2" Thin Lock Nut
19	4	0017-00104-0313	3/8" SAE Flat Washer
20	4	0017-00103-0223	1/2" Thick Lock Nut

# BWCDLR - BODY WT CHIN/DIP/LEG RAISE

## TOP FRAME ASSEMBLY



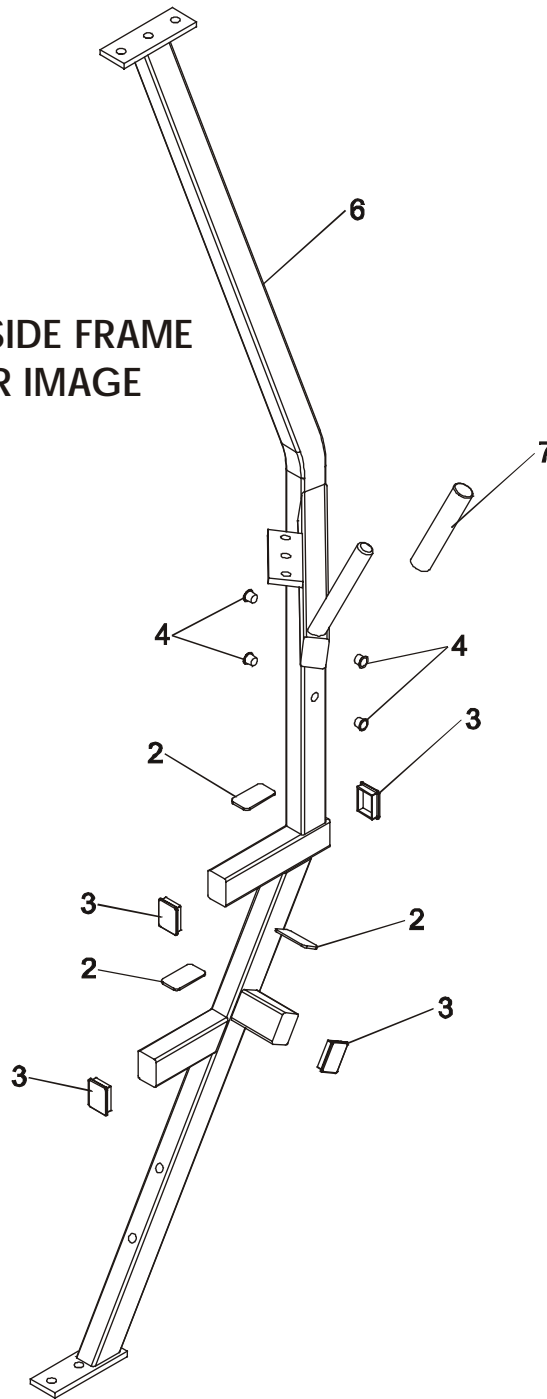
ITEM NO	QTY.	PART NO.	DESCRIPTION
1	1	BWCDLR-TX-0	Top Frame
2	4	H-PEND3	1 1/2 X 3 End Cap
3	4	H-HPLUG	Hole Plug
4	2	H-NAMEPLATE	Name Plate
5	2	SERIAL NUMBER	Serial Number
7	1	PATENT	Patent Decal
8	1	CHIN DIP	Product Decal
11	4	H-BACK-WASH	Backing Washer
12	4	HHB.5X3	1/2 X 3 Bolt
13	2	H-GRIP(BWCDLR-1)	HandGrip
14	1	BWCDLR-LX-0	Pronate Handlebar Left
15	1	BWCDLR-LX2-0	Pronate Handlebar Right
17	1	BWCDLR-RX-0	Right Sup. Handlebar
18	1	BWCDLR-RX2-0	Left Sup. Handlebar
19	2	H-GRIP(BWCDLR-2)	HandGrip
20	4	0017-00104-0379	1/2" Internal Lock Washer
21	4	0017-00103-0223	1/2" Thick Lock Nut

# BWCDLR - BODY WT CHIN/DIP/LEG RAISE

## LEFT SIDE FRAME

---

RIGHT SIDE FRAME  
MIRROR IMAGE

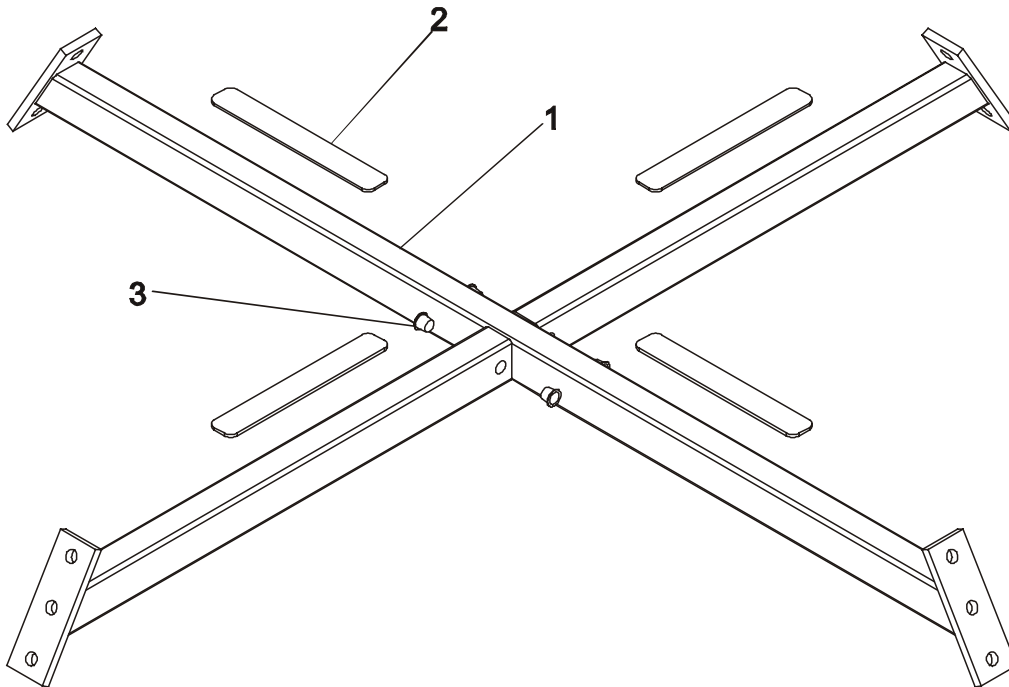


ITEM NO	QTY.	PART NO.	DESCRIPTION
2	3	H-PLATE-G1	Small Plate Guard
3	4	H-PEND2	1 1/2 X 2 Endcap
4	5	H-HPLUG	Hole Plug
6	1	BWCDLR-SFR-0	LR Side Frame Left
7	1	H-GRIP(ILDRW-B00)	HandGrip

# BWCDLR - BODY WT CHIN/DIP/LEG RAISE

## ***BOTTOM FRAME ASSEMBLY***

---



ITEM NO.	QTY.	PART NO.	DESCRIPTION
1	1	BWCDLR-BX-0	Bottom Frame
2	4	H-NONSKID1	1 1/4 X 9 Nonskid
3	4	H-HPLUG	Hole Plug

## Free Manuals Download Website

<http://myh66.com>

<http://usermanuals.us>

<http://www.somanuals.com>

<http://www.4manuals.cc>

<http://www.manual-lib.com>

<http://www.404manual.com>

<http://www.luxmanual.com>

<http://aubethermostatmanual.com>

Golf course search by state

<http://golfingnear.com>

Email search by domain

<http://emailbydomain.com>

Auto manuals search

<http://auto.somanuals.com>

TV manuals search

<http://tv.somanuals.com>