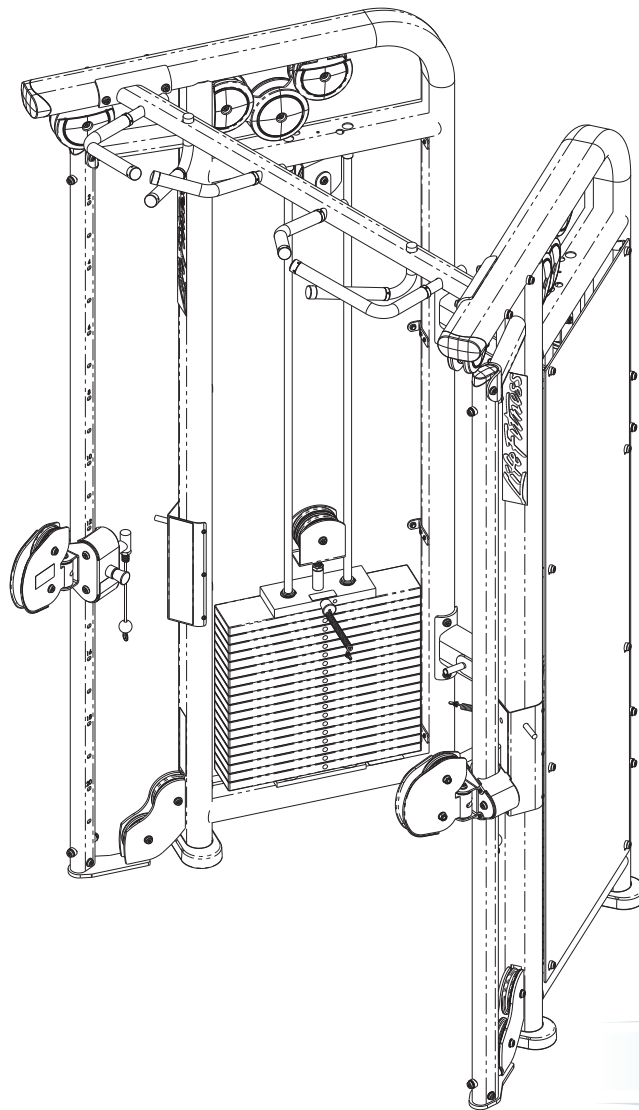


Signature Series Cable Motion CMDAP Dual Adjustable Pulley

SERIAL NUMBER CMDAP0908041 & UP

CUSTOMER SUPPORT SERVICES
Parts List

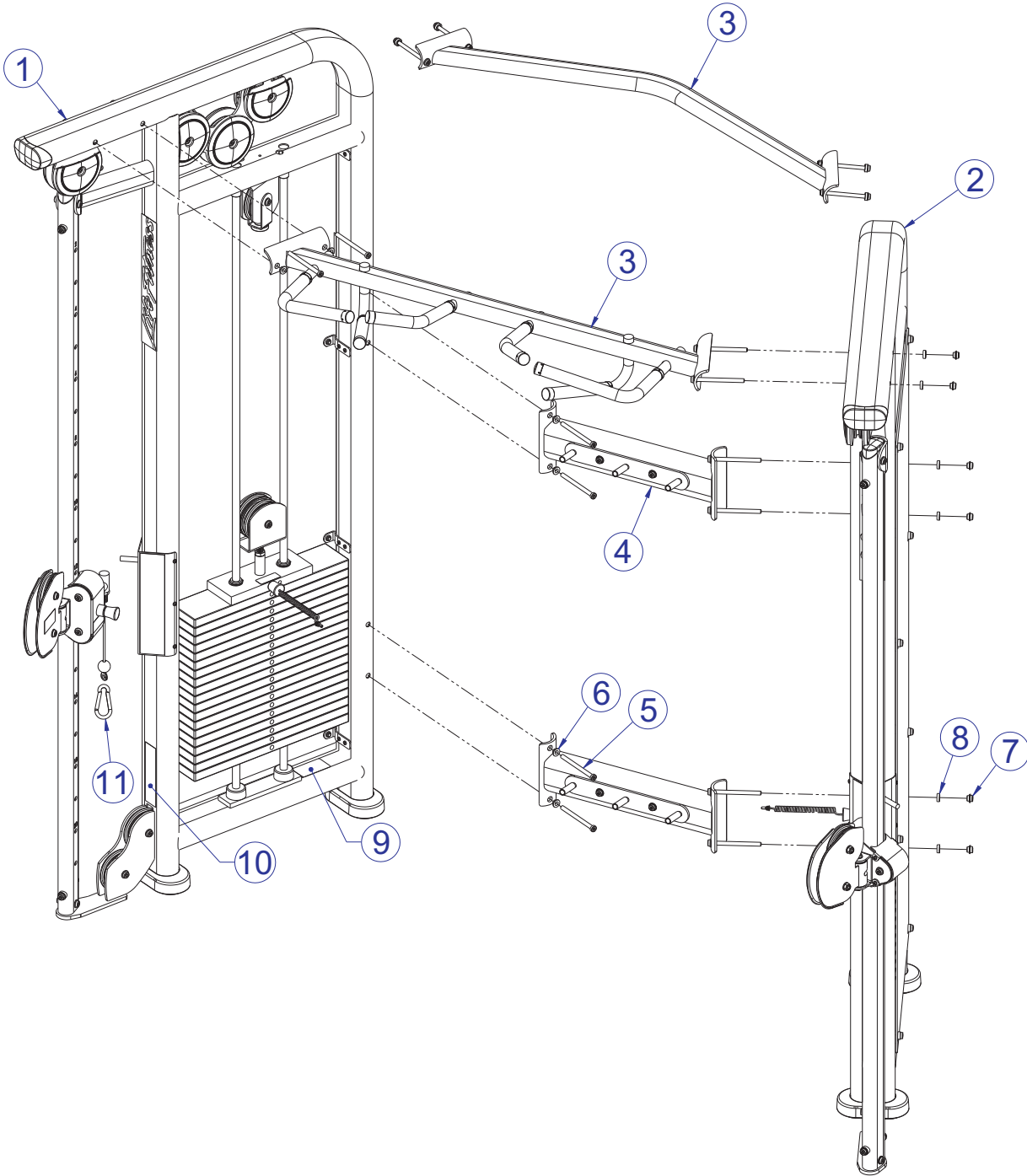


LifeFitness
WHAT WE LIVE FOR

CMDAP DUAL ADJUSTABLE PULLEY CONTENTS

	PAGE
COMPONENT ASSEMBLY	3
COMPONENT ASSEMBLY LEGEND	4
RIGHT HAND TOWER ASSEMBLY	5
RIGHT HAND TOWER ASSEMBLY LEGEND	6
RIGHT HAND CARRIAGE ASSEMBLY	7
ADJ. PULLEY COLUMN ASSEMBLY	8
CHIN SUPPORT ASSEMBLY	9
OPTIONAL NOHANDLE BOOM	10
REAR SUPPORT ASSEMBLY	11
LEFT HAND TOWER ASSEMBLY	12
LEFT HAND TOWER ASSEMBLY LEGEND	13
LEFT HAND CARRIAGE ASSEMBLY	14
STACK PULLEY ASSEMBLY	15
390LB. WEIGHT STACK ASSEMBLY	16
LONG BAR ASSEMBLY	17
SPORT BAR ASSEMBLY	18
ACCESSORIES	19
OPTIONAL FRONT SHROUD KIT	20
IMAGE	21

CMDAP DUAL ADJUSTABLE PULLEY COMPONENT ASSEMBLY

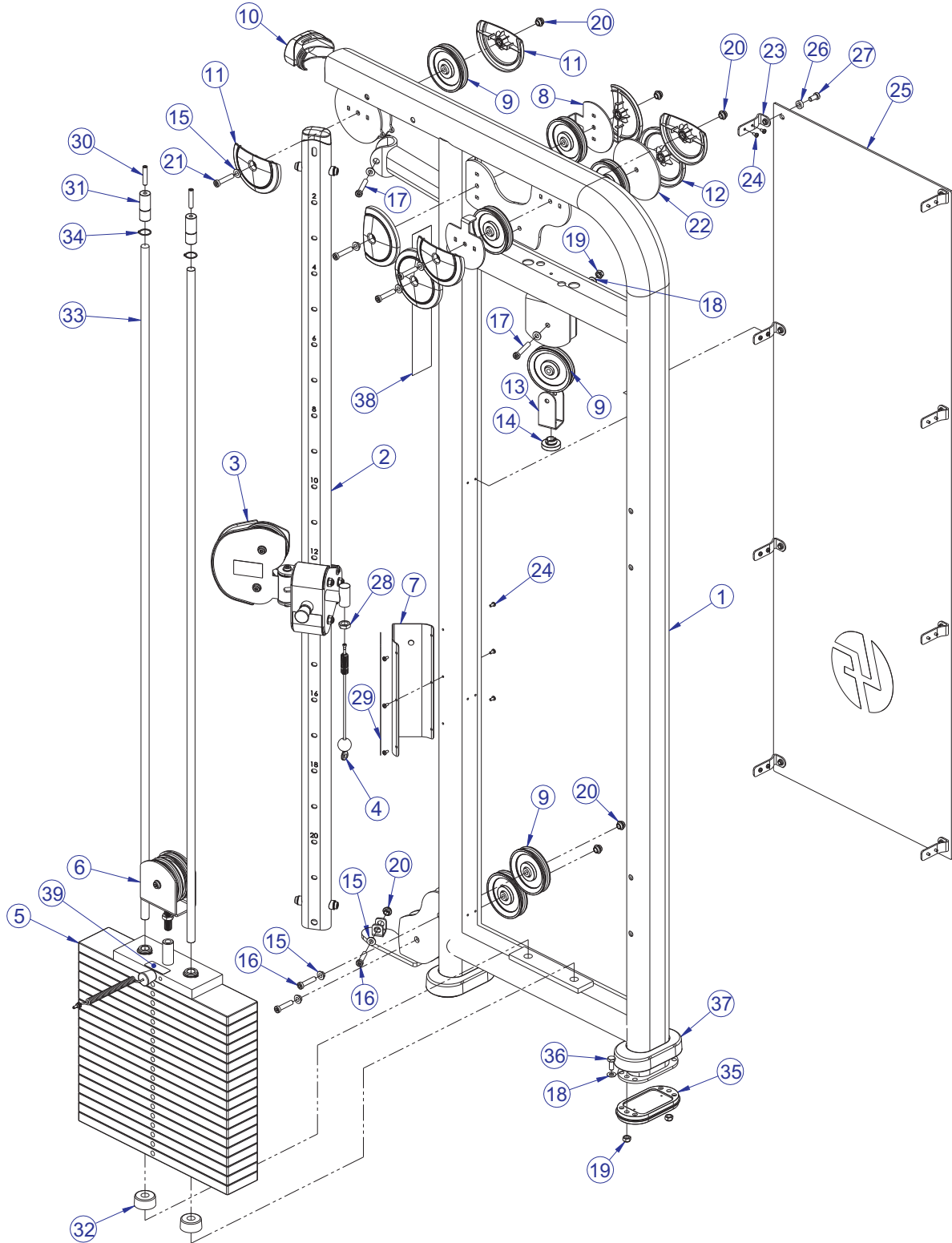


SEE PAGE 4 FOR LEGEND

CMDAP DUAL ADJUSTABLE PULLEY COMPONENT ASSEMBLY LEGEND

ITEM NO	QTY	PART NO	DESCRIPTION
1	1	7714201	ASSY, CMDAP RH TOWER
2	1	7714301	ASSY, CMDAP LH TOWER
3	1	7713901	ASSY, CMDAP CHIN SUPPORT
OR			
3	1	8539101	ASSY, CMDAP BOOM - NOHANDLES
4	2	7714101	ASSY, CMDAP REAR SUPPORT
5	12	3236220	M10 X 1.5 X 130 HXS SOC CS SS
6	12	7630101	RETAINER, CM/MJ, PULLEY
7	12	7335401	NUT, SOCKET HEAD M10 X 1.5 SS
8	12	7634701	SPACER, CM/MJ, .565 X .815
9	1	7571301	LABEL, SERIAL NUMBER
10	1	7422004	LABEL, 2IN ASTM WARN
11	2	3250201	SNAP LINK, 3/8" DIA

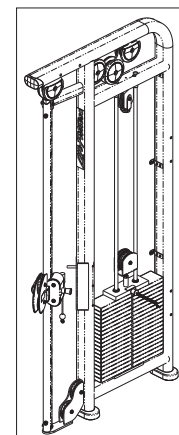
CMDAP DUAL ADJUSTABLE PULLEY RIGHT HAND TOWER ASSEMBLY - 7714201



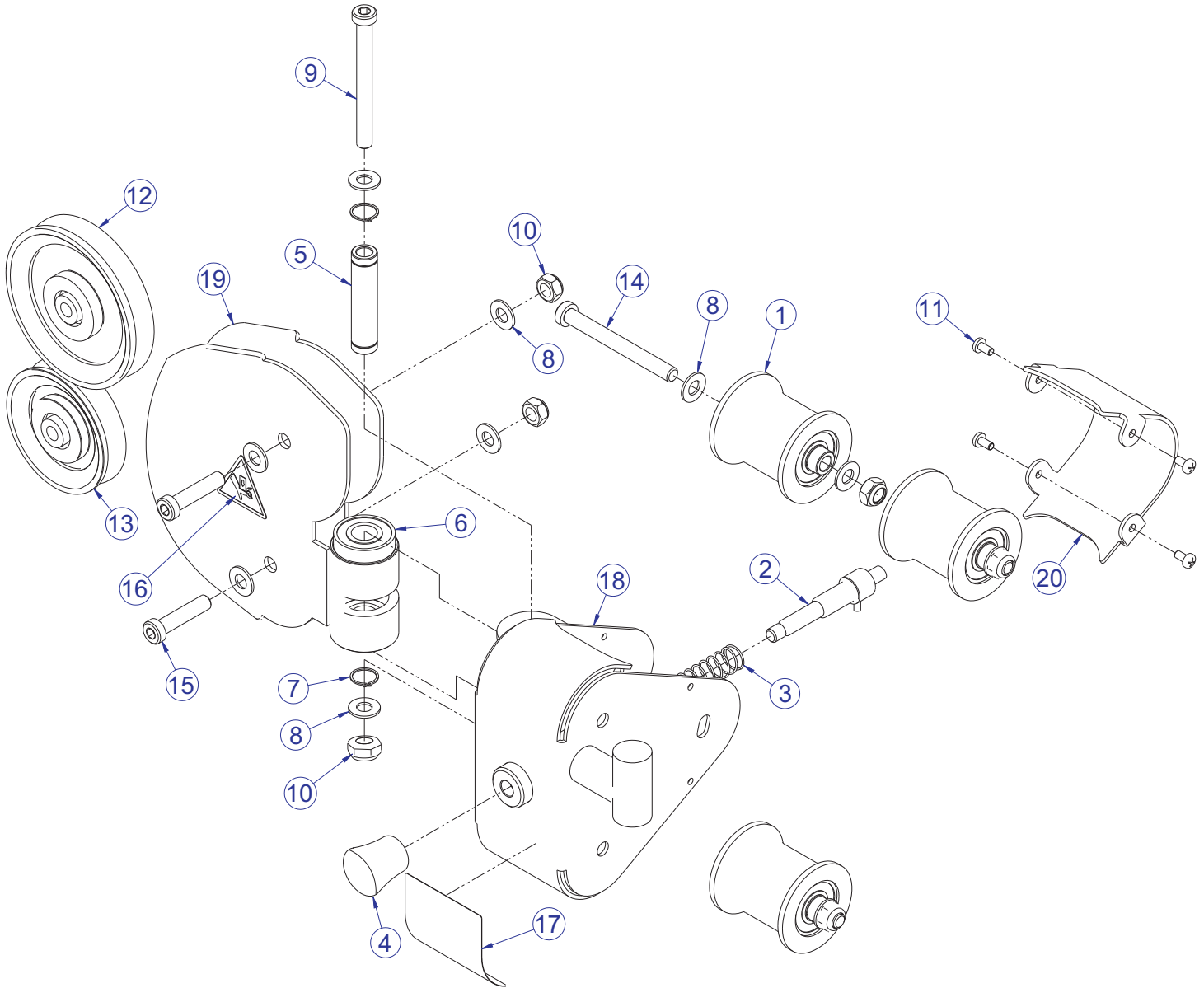
SEE PAGE 6 FOR LEGEND

CMDAP DUAL ADJUSTABLE PULLEY RIGHT HAND TOWER ASSY. LEGEND

ITEM NO.	QTY.	PART NO.	DESCRIPTION
1	1	7642401	WLDMT, CMDAP RH TOWER
2	1	7708401	ASSY, CM/MJ, ADJ PLY COLUMN
3	1	8346801	ASSY, CMDAP RH CARRIAGE
4	1	7645702	CABLE, MJDAP
5	1	7353601	ASSY, 390LB STACK
6	1	7750701	ASSY, CMDAP STACK PULLEYS
7	1	7749301	WLDMT, CM/MJ, PLACARD BRKT-2
8	2	7730901	BRKT, COVER/CABLE RETAINER
9	7	3237801	PULLEY, 4.5" OD
10	1	7333901	CAP, LARGE FLOW- END
11	6	7630001	COVER, PULLEY BOLTED PARTIAL
12	2	7629901	COVER, PULLEY- BOLTED FULL
13	1	7732401	BRKT, STACK BUMPER MOUNT
14	1	7642301	BUMPER, CM/MJ, PLUG
15	8	7630101	RETAINER, CM/MJ, PULLEY
16	3	3236206	SCREW, M10 X1.5 45MM
17	2	3236209	SCREW, M10 X1.5 60MM
18	6	3236601	WASHER, 3/8 SAE SS
19	5	3236801	NUT, M10 HEX NYLOCK SS
20	8	7335401	NUT, M10 X 1.5 SOCKET HEAD
21	4	3236207	SCREW, M10 X1.5 50MM
22	1	7301101	PLATE, PULLEY
23	8	7642001	BRKT, CM/MJ, REAR SHROUD
24	22	3239101	SCREW, M5X10 PHL PAN TT ST
25	1	7642101	SHIELD, CM/MJ REAR
26	8	7385201	SPACER, .406 X .750 X .250
27	8	3236201	SCREW, M10 X1.5 20MM
28	1	3236902	NUT, M16 X 2 HEX JAM SS
29	1	7749401	LABEL, PLACARD CMDAP RH
30	2	3240502	M10 X 1.5 X 50 HXS NO CUP ST BO
31	2	7634401	RETAINER, CM/MJ, GUIDEROD
32	2	7352101	CUSHION, WEIGHT STACK
33	2	7328618	GUIDE ROD, .75 OD SOLID 71.50
34	2	3232421	RING, BRE .940, 5100-100 ST PP B
35	2	7334001	FOOT, 2.50 X 4.49 FLOW
36	4	3251202	SCREW, M10 X1.5 X 25MM UNS HEX CS ST ZN
37	2	7340201	COVER, FOOT - STRAIGHT
38	1	7348001	LABEL, LIFE FITNESS LOGO
39	1	7744501	LABEL, WEIGHT AT HANDLE

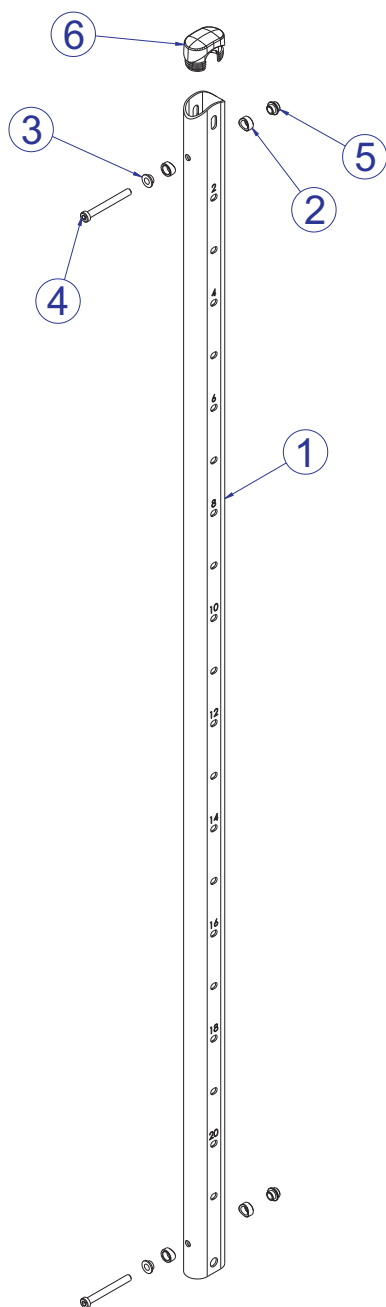


CMDAP DUAL ADJUSTABLE PULLEY RIGHT HAND CARRIAGE ASSEMBLY - 8346801



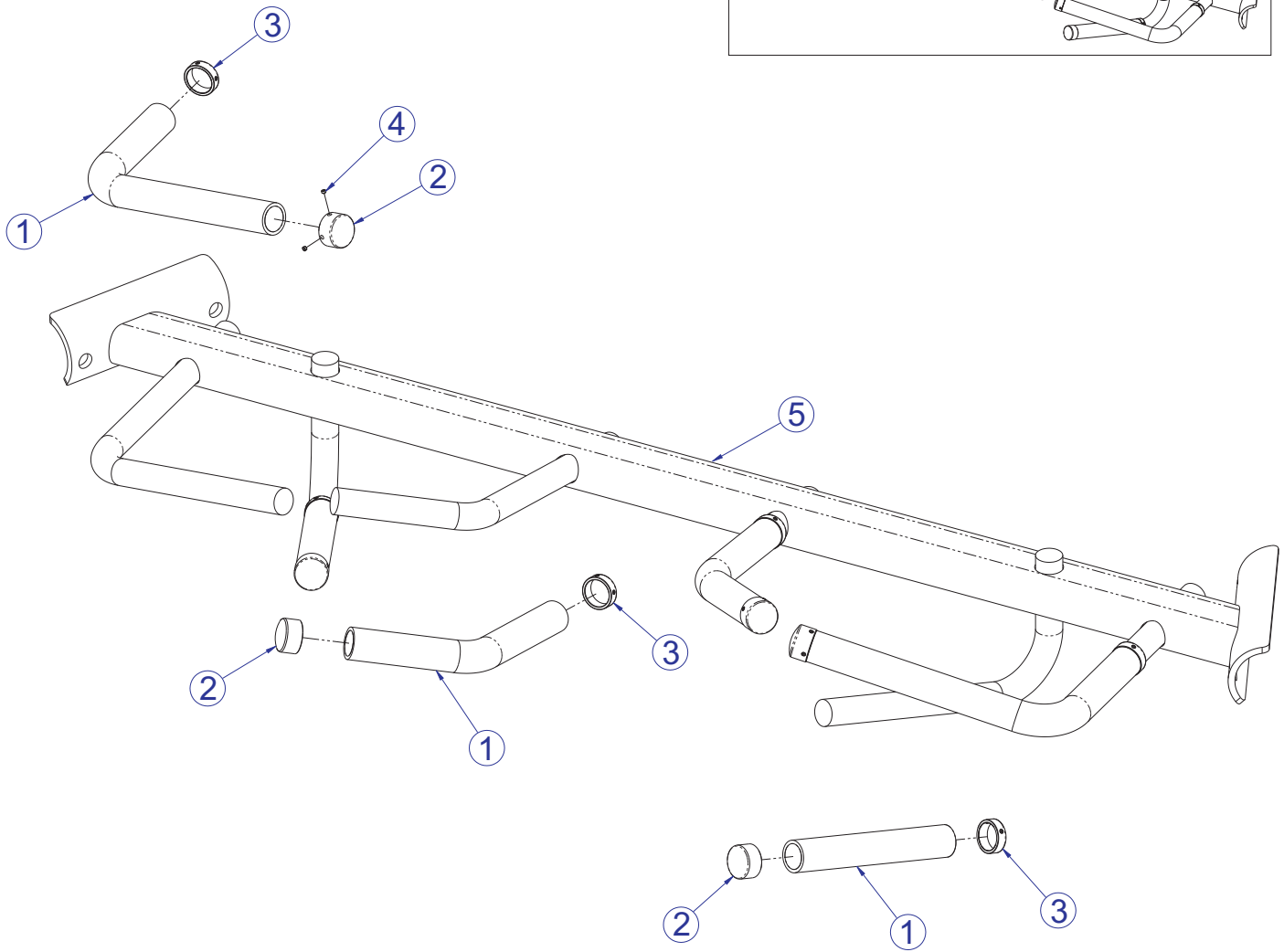
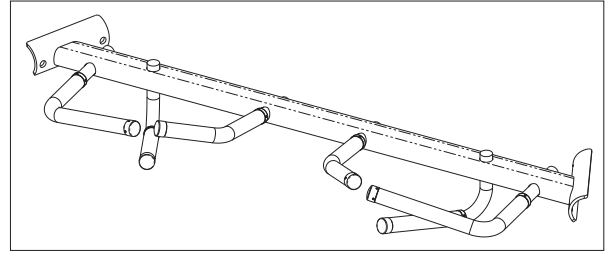
ITEM NO.	QTY.	PART NO.	DESCRIPTION	ITEM NO.	QTY.	PART NO.	DESCRIPTION
1	3	7637901	ASSY, ROLLER-CONCAVE	11	4	3239101	SCREW, M5X10 PHL PAN TT ST
2	1	8327901	ASSY, CM/MJ PULL PIN, BEVEL NOSE	12	1	3237801	PULLEY, 4.5" OD
3	1	7351501	SPRING, PULL PIN LARGE	13	1	3245701	PULLEY, 3.5" OD, 10MM ID SG
4	1	7351401	KNOB, TULIP STYLE	14	3	3236216	SCREW, M10 X1.5 95MM
5	1	7645401	SHAFT, CM/MJ, 6203 BRNG	15	2	3236206	SCREW, M10 X1.5 45MM
6	2	3245901	BEARING, 6203	16	1	8039501	LABEL, WARNING, TRIANGLE
7	2	3232413	RING, BRE .631, 5100-66, ST PP B	17	1	7821001	LABEL, WARNING ADJ. CARRIAGE
8	12	3236601	WASHER, 3/8 SAE SS	18	1	8346901	WLDMT, CMDAP RH CARRIAGE
9	1	3236217	SCREW, M10 X1.5 100MM	19	1	7633301	WLDMT, CM/MJ, SWIVEL PULLEY
10	6	3236801	NUT, M10 HEX NYLOCK SS	20	1	7631801	BRKT, CM/MJ, CARRIAGE SHROUD

CMDAP DUAL ADJUSTABLE PULLEY ADJ. PULLEY COLUMN ASSEMBLY - 7708401



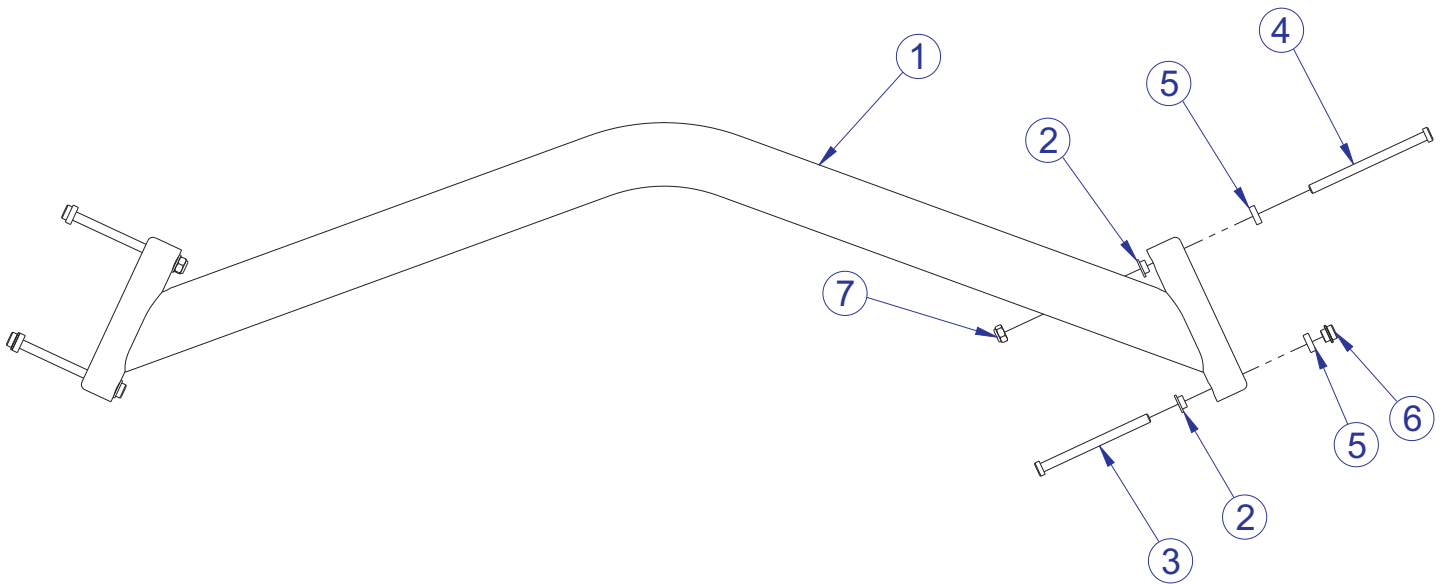
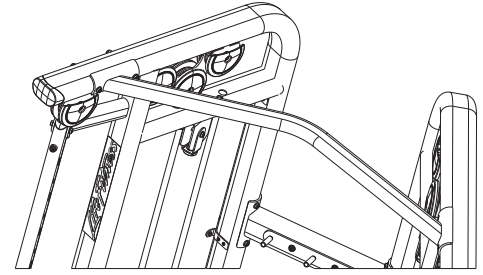
ITEM NO.	QTY.	PART NO.	DESCRIPTION
1	1	8264101	TUBE, CM/MJ ADJ COLUMN
2	4	7645501	SPACER, CM/MJ, SM FLOV CONCAVE
3	2	7630101	RETAINER, CM/MJ, PULLEY
4	2	3236215	SCREW, M10 X1.5 90MM
5	2	7335401	NUT, M10 X 1.5 SOCKET HEAD
6	1	7333801	CAP, SMALL FLOV- END

CMDAP DUAL ADJUSTABLE PULLEY CHIN SUPPORT ASSEMBLY - 7713901



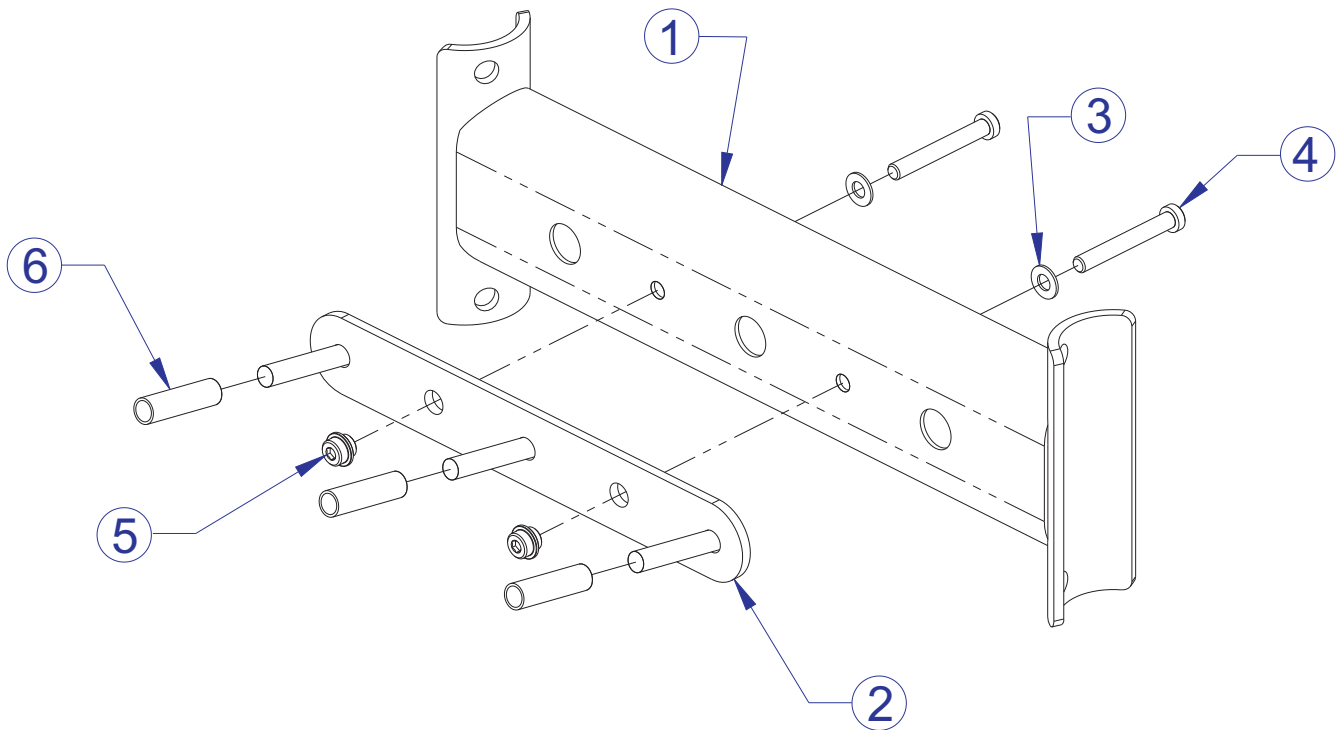
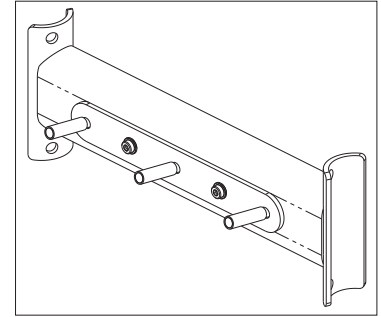
ITEM NO.	QTY.	PART NO.	DESCRIPTION
1	6	3235801	GRIP, 1.25 OD X .125 WALL OPEN END
2	6	7662901	CAP, GRIP 1.25 OD
3	6	7662801	RING, GRIP 1.25 OD
4	24	3247701	M4 X .7 HXS NO CUP ST BO
5	1	7642701	WLDMT, CMDAP CHIN SUPPORT

CMDAP DUAL ADJUSTABLE PULLEY OPTIONAL NO HANDLE BOOM ASSY. - 8539101



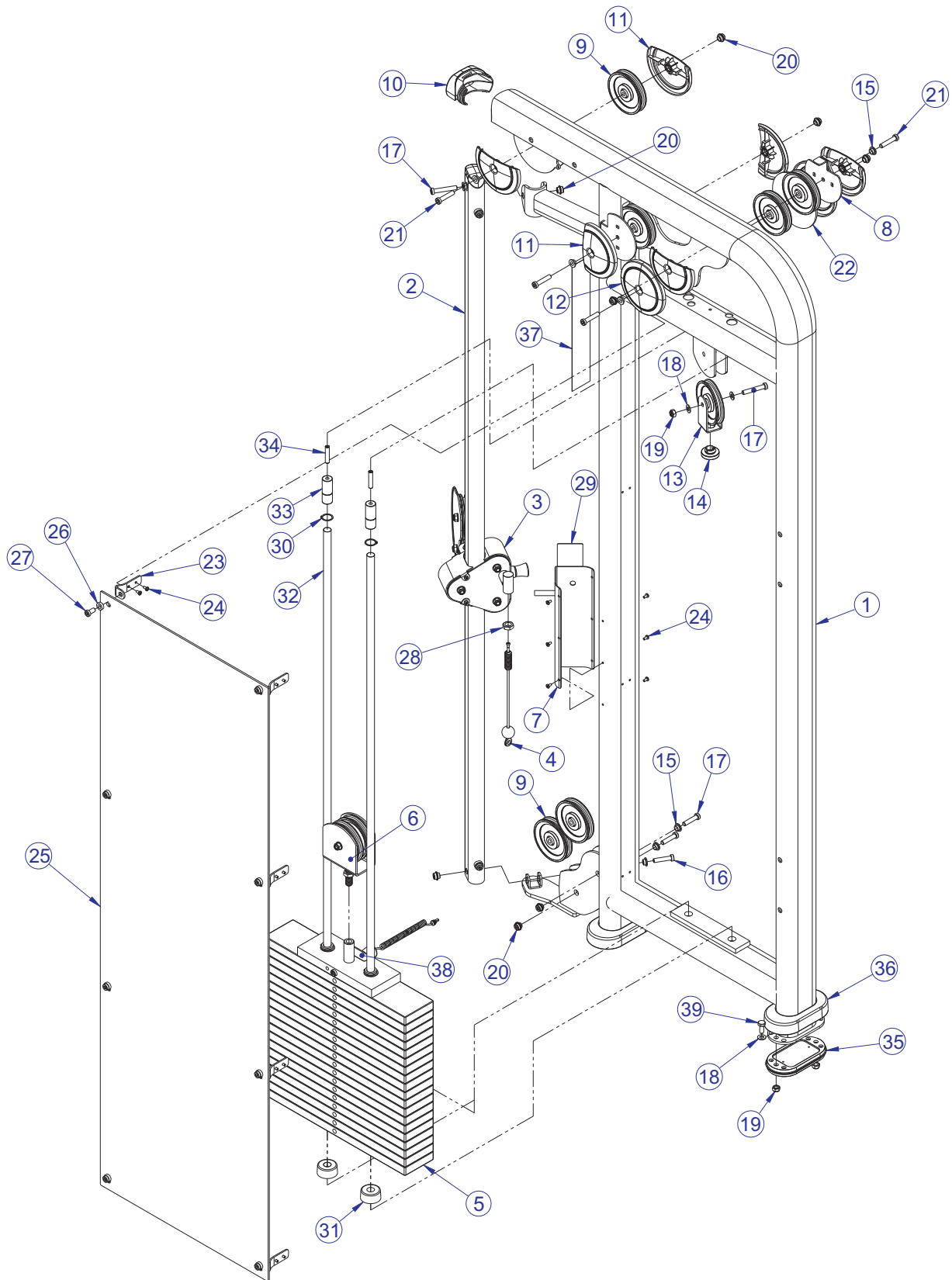
ITEM NO.	QTY.	PART NO.	DESCRIPTION
1	1	8539001	WLDMT, CMDAP BOOM - NOHANDLES
2	4	7630101	RETAINER, CM/MJ, PULLEY
3	2	3236220	SCREW, M10 X1.5 130MM
4	2	3236221	SCREW, M10 X1.5 140MM
5	4	7634701	SPACER, CM/MJ, .565 X .815
6	2	7335401	NUT, M10 X 1.5 SOCKET HEAD
7	2	3236801	NUT, M10 HEX NYLOCK SS

CMDAP DUAL ADJUSTABLE PULLEY REAR SUPPORT ASSEMBLY - 7714101



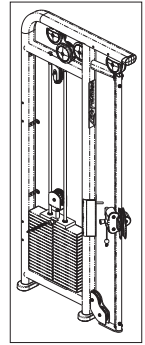
ITEM NO.	QTY.	PART NO.	DESCRIPTION
1	1	7642601	WLDMT, CMDAP REAR SUPPORT
2	1	7644895	WLDMT, CM ACC RACK
3	2	3236601	WASHER, 3/8 SAE SS
4	2	3236212	SCREW, M10 X1.5 75MM
5	2	7335401	NUT, M10 X 1.5 SOCKET HEAD
6	3	7749601	SLEEVE, .50" ID X 2.25"

CMDAP DUAL ADJUSTABLE PULLEY LEFT HAND TOWER ASSEMBLY - 7714301



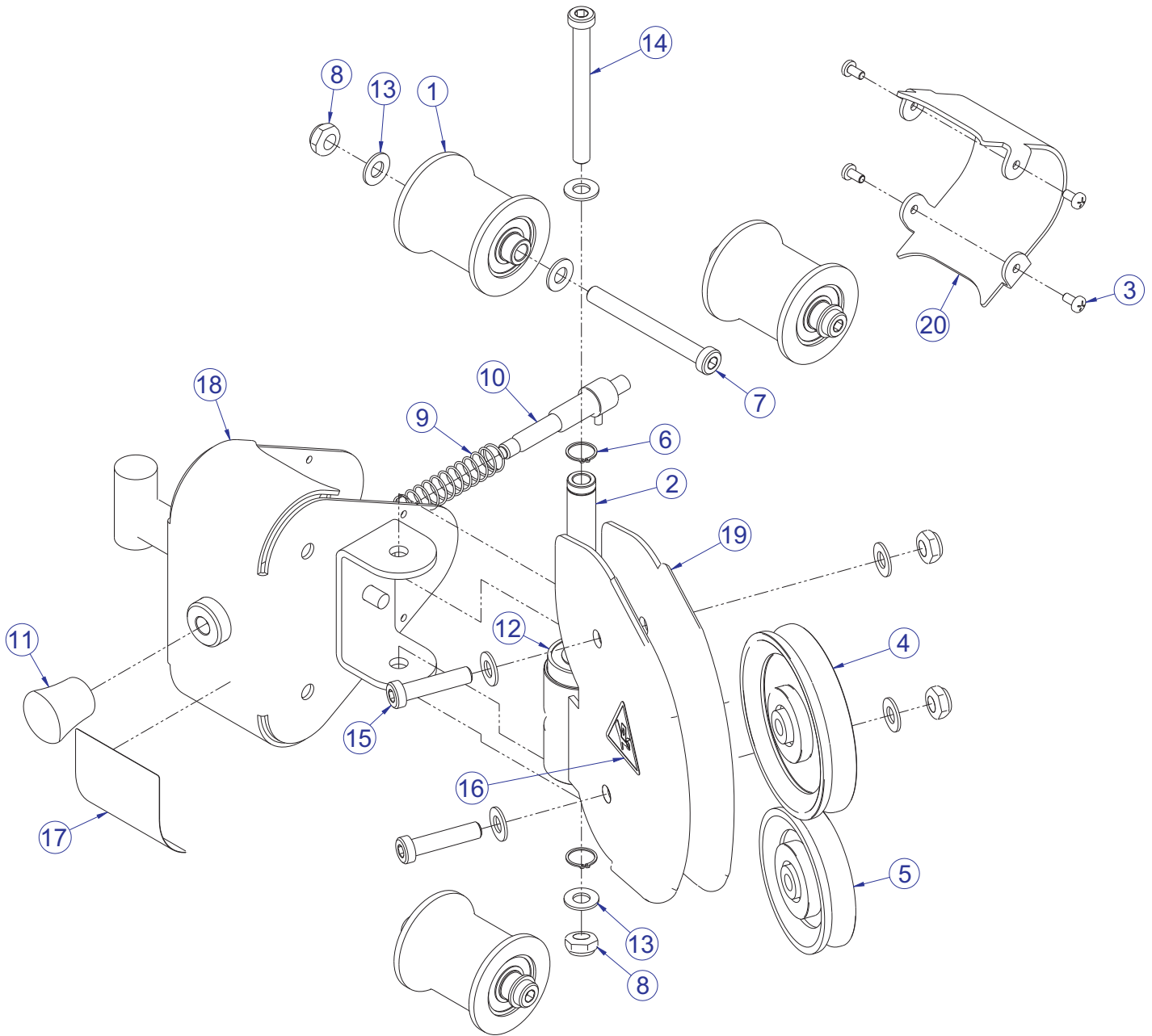
SEE PAGE 13 FOR LEGEND

CMDAP DUAL ADJUSTABLE PULLEY LEFT HAND TOWER ASSEMBLY LEGEND



ITEM NO.	QTY.	PART NO.	DESCRIPTION
1	1	7642501	WLDMT, CMDAP LH TOWER
2	1	7708401	ASSY, CM/MJ, ADJ PLY COLUMN
3	1	8346601	ASSY, CMDAP LH CARRIAGE
4	1	7645702	CABLE, MJDAP
5	1	7353601	ASSY, 390LB STACK
6	1	7750701	ASSY, CMDAP STACK PULLEYS
7	1	7647001	WLDMT, CM/MJ, PLACARD BRKT
8	2	7730901	BRKT, COVER/CABLE RETAINER
9	7	3237801	PULLEY, 4.5" OD
10	1	7333901	CAP, LARGE FLOV- END
11	6	7630001	COVER, PULLEY BOLTED PARTIAL
12	2	7629901	COVER, PULLEY- BOLTED FULL
13	1	7732401	BRKT, STACK BUMPER MOUNT
14	1	7642301	BUMPER, CM/MJ, PLUG
15	8	7630101	RETAINER, CM/MJ, PULLEY
16	3	3236206	SCREW, M10 X1.5 45MM
17	2	3236209	SCREW, M10 X1.5 60MM
18	6	3236601	WASHER, 3/8 SAE SS
19	5	3236801	NUT, M10 HEX NYLOCK SS
20	8	7335401	NUT, M10 X 1.5 SOCKET HEAD
21	4	3236207	SCREW, M10 X1.5 50MM
22	1	7301101	PLATE, PULLEY
23	8	7642001	BRKT, CM/MJ, REAR SHROUD
24	22	3239100	SCREW, M5X.8 PHL PAN TT ST BZ
25	1	7642101	SHIELD, CM/MJ REAR
26	8	7385201	SPACER, .406 X .750 X .250
27	8	3236201	SCREW, M10 X1.5 20MM
28	1	3236902	NUT, M16 X 2 HEX JAM SS
29	1	7749501	LABEL, PLACARD CMDAP LH
30	2	3232421	RING, BRE .940, 5100-100 ST PP B
31	2	7352101	CUSHION, WEIGHT STACK
32	2	7328618	GUIDE ROD, .75 OD SOLID 71.50
33	2	7634401	RETAINER, CM/MJ, GUIDEROD
34	2	3240502	M10 X 1.5 X 50 HXS NO CUP ST BO
35	2	7334001	FOOT, 2.50 X 4.49 FLOV
36	2	7340201	COVER, FOOT - STRAIGHT
37	1	7348001	LABEL, LIFE FITNESS LOGO
38	1	7744501	LABEL, WEIGHT AT HANDLE
39	4	3251202	SCREW, M10 X1.5 X 25MM HEX CS ST ZN

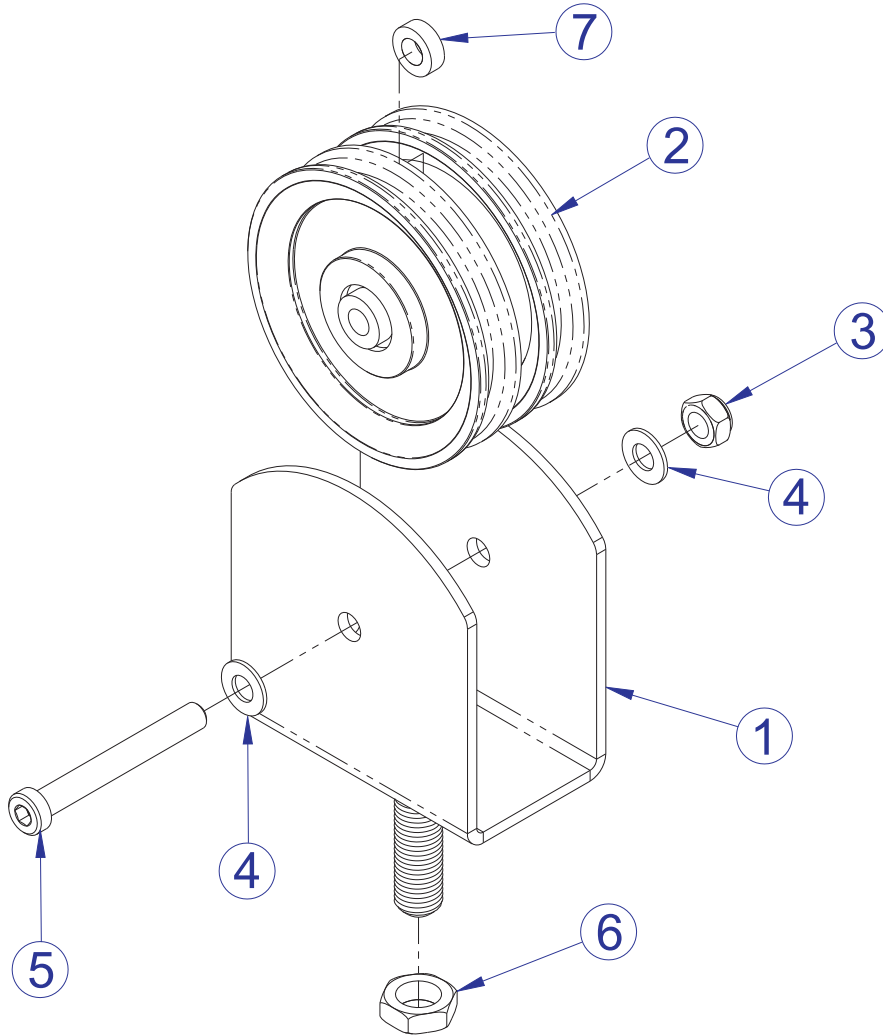
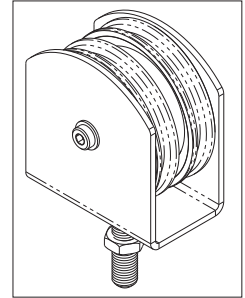
CMDAP DUAL ADJUSTABLE PULLEY LEFT HAND CARRIAGE ASSEMBLY - 8346601



ITEM NO.	QTY.	PART NO.	DESCRIPTION
1	3	7637901	ASSY, ROLLER-CONCAVE
2	1	7645401	SHAFT, CM/MJ, 6203 BRNG
3	4	3239101	SCREW, M5X10 PHL PAN TT ST
4	1	3237801	PULLEY, 4.5" OD
5	1	3245701	PULLEY, 3.5" OD, 10MM ID SG
6	2	3232413	RING, BRE .631, 5100-66, ST PP B
7	3	3236216	SCREW, M10 X1.5 95MM
8	6	3236801	NUT, M10 HEX NYLOCK SS
9	1	7351501	SPRING, PULL PIN LARGE
10	1	8327901	ASSY, CM/MJ PULL PIN, BEVEL NOSE

ITEM NO.	QTY.	PART NO.	DESCRIPTION
11	1	7351401	KNOB, TULIP STYLE
12	2	3245901	BEARING, 6203
13	12	3236601	WASHER, 3/8 SAE SS
14	1	3236217	SCREW, M10 X1.5 100MM
15	2	3236206	SCREW, M10 X1.5 45MM
16	1	8039501	LABEL, WARNING, TRIANGLE
17	1	7821001	LABEL, WARNING ADJ. CARRIAGE
18	1	8346701	WLDMT, CMDAP LH CARRIAGE
19	1	7633301	WLDMT, CM/MJ, SWIVEL PULLEY
20	1	7631801	BRKT, CM/MJ, CARRIAGE SHROUD

CMDAP DUAL ADJUSTABLE PULLEY STACK PULLEY ASSEMBLY - 7750701

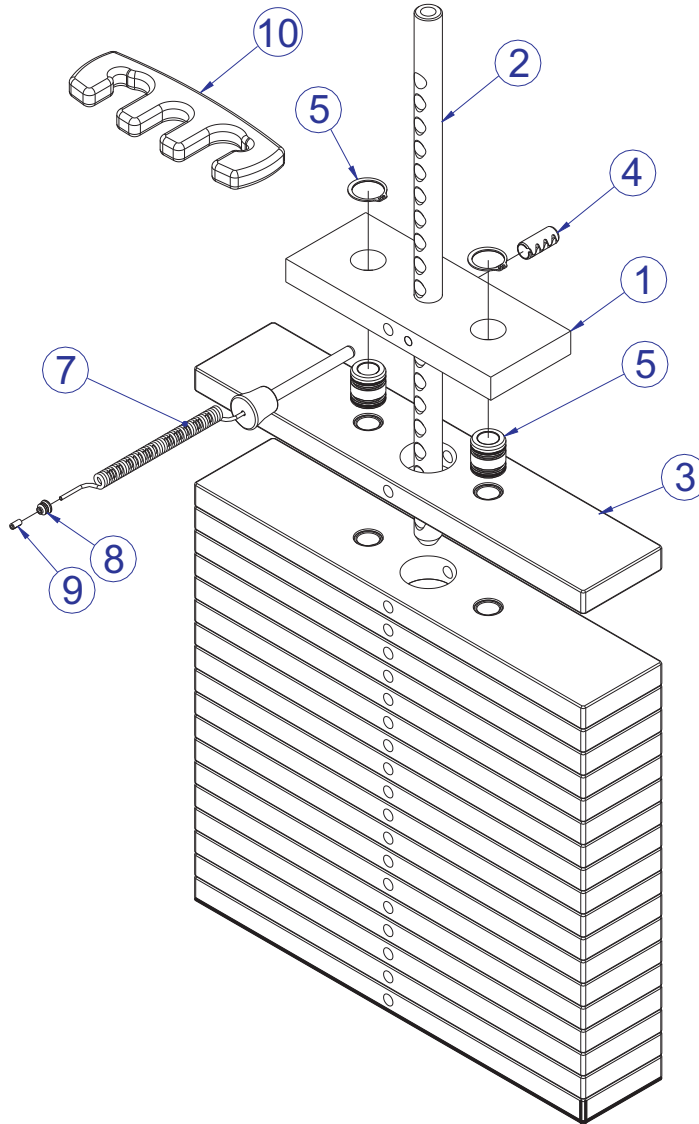
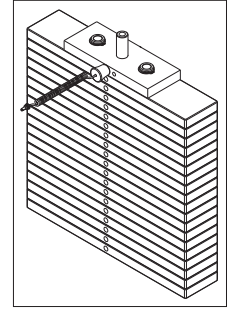


ITEM NO.	QTY.	PART NO.	DESCRIPTION
1	1	7644001	WLDMT, HEAD PLATE DBL PULLEY
2	2	3237801	PULLEY, 4.5" OD
3	1	3236801	NUT, M10 HEX NYLOCK SS
4	2	3236601	WASHER, 3/8 SAE SS
5	1	3236213	SCREW, M10 X1.5 80MM
6	1	3236902	NUT, M16 X 2 HEX JAM SS
7	1	7385201	SPACER, .406 X .750 X .250

CMDAP DUAL ADJUSTABLE PULLEY 390 LB. WEIGHT STACK ASSEMBLY - 7353601

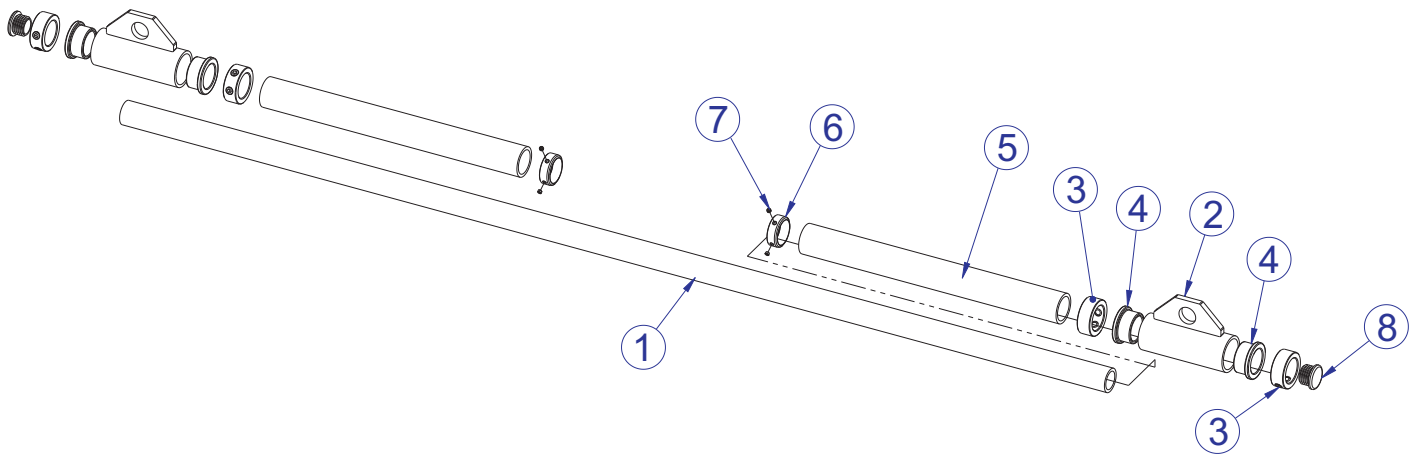
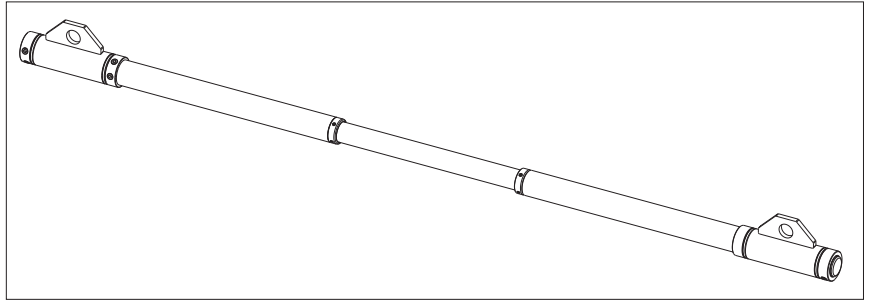
WEIGHT PLATE LABELS

PART NO.	DESCRIPTION
8068701	LABEL, WGHT STK, 97.5 LBS
8069301	LABEL, WGHT STK, 48.75 KG



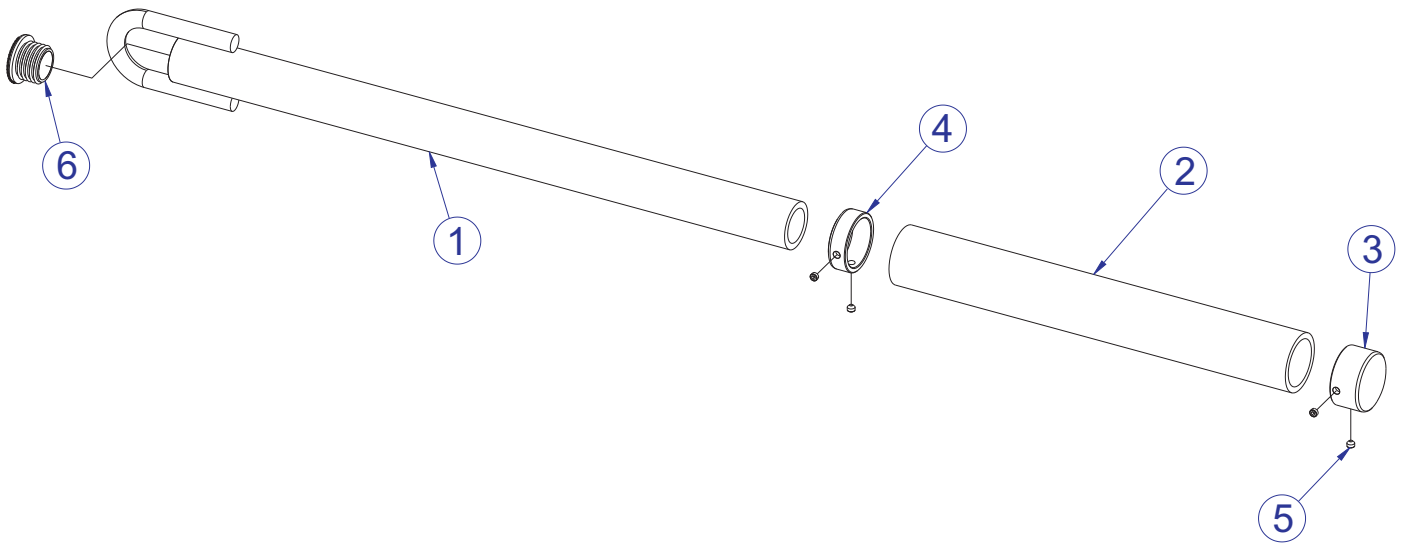
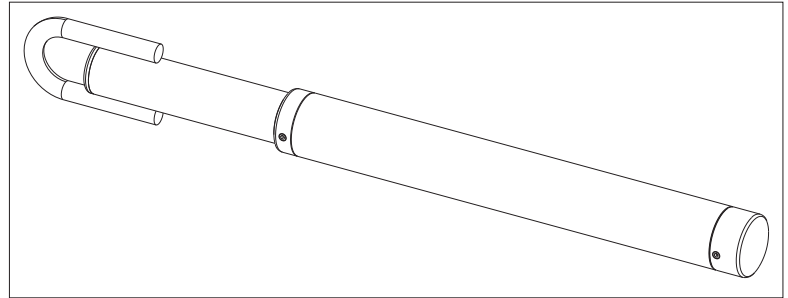
ITEM NO.	QTY.	PART NO.	DESCRIPTION
1	1	7353901	HEADPLATE, WT. STACK
2	1	7356601	STEM, PRO2 19 HOLE
3	19	7328401	WEIGHT PLATE, 20 LB
4	1	3236001	BUSHING, SPRING PIN
5	2	7338001	BUSHING, HEADPLATE
7	1	7353001	ASSY, SELECTOR PIN
8	1	7356501	PLUG, LANYARD ATTACHMENT
9	1	7523601	CRIMP, CABLE
10	1	7711501	WEIGHT, 5 LB. ADD-ON

CMDAP DUAL ADJUSTABLE PULLEY LONG BAR ASSEMBLY - 7753101



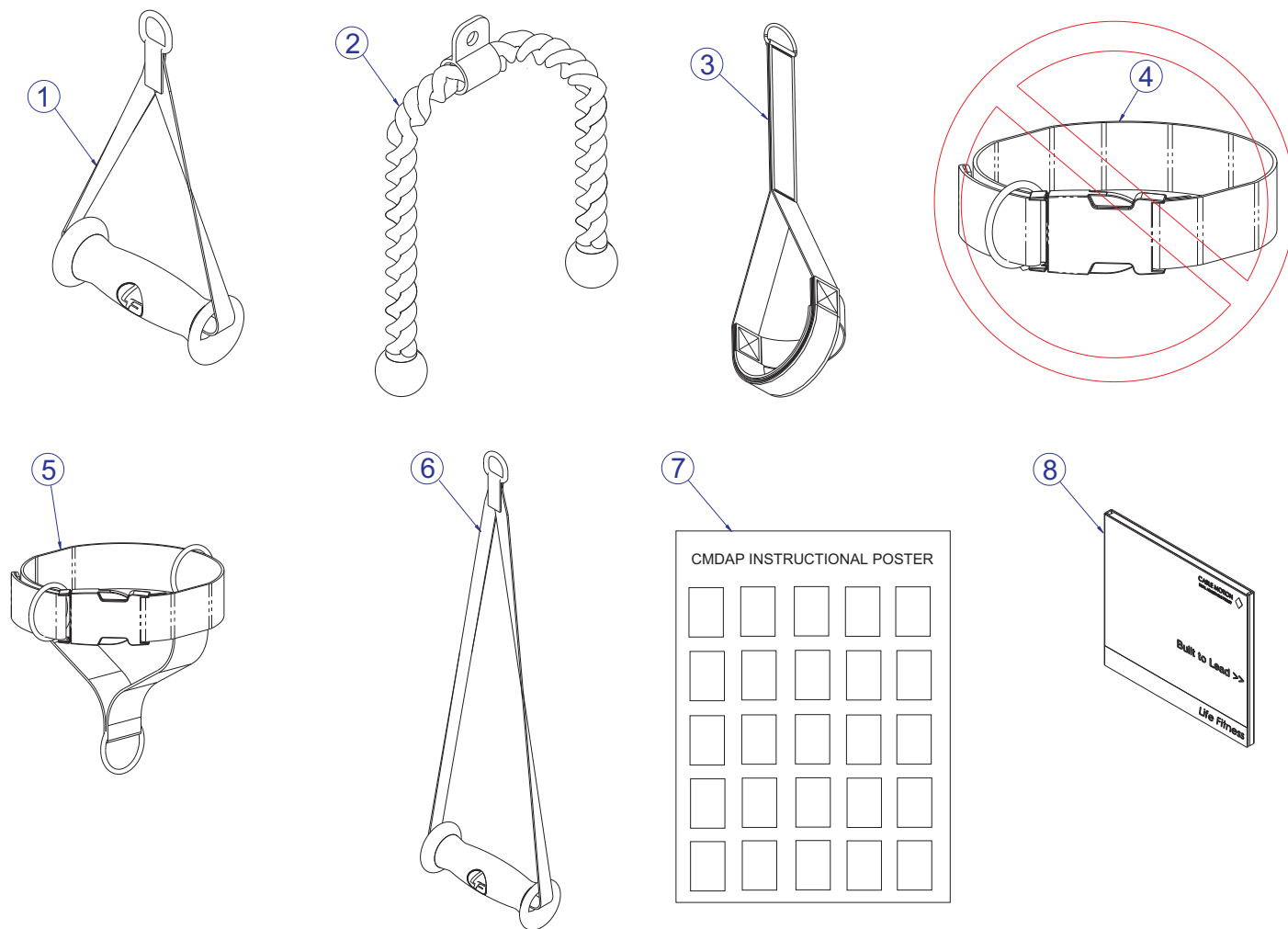
ITEM NO.	QTY.	PART NO.	DESCRIPTION
1	1	7760995	TUBE, 1.00 OD 10GA X 44
2	2	7760695	WLDMT, LONG BAR SWIVEL
3	4	7435301	COLLAR, SHAFT 1.020 ID
4	4	3104906	1.00" ID 1.25" OD BRONZ BUSHING
5	2	3235801	GRIP, 1.25 OD X .125 WALL OPEN END
6	2	7662801	RING, GRIP 1.25 OD
7	4	3247701	M4 X .7 HXS NO CUP ST BO
8	2	3119304	CAP, END 1 DIA RD 10-12GA

CMDAP DUAL ADJUSTABLE PULLEY SPORT BAR ASSEMBLY - 7753201



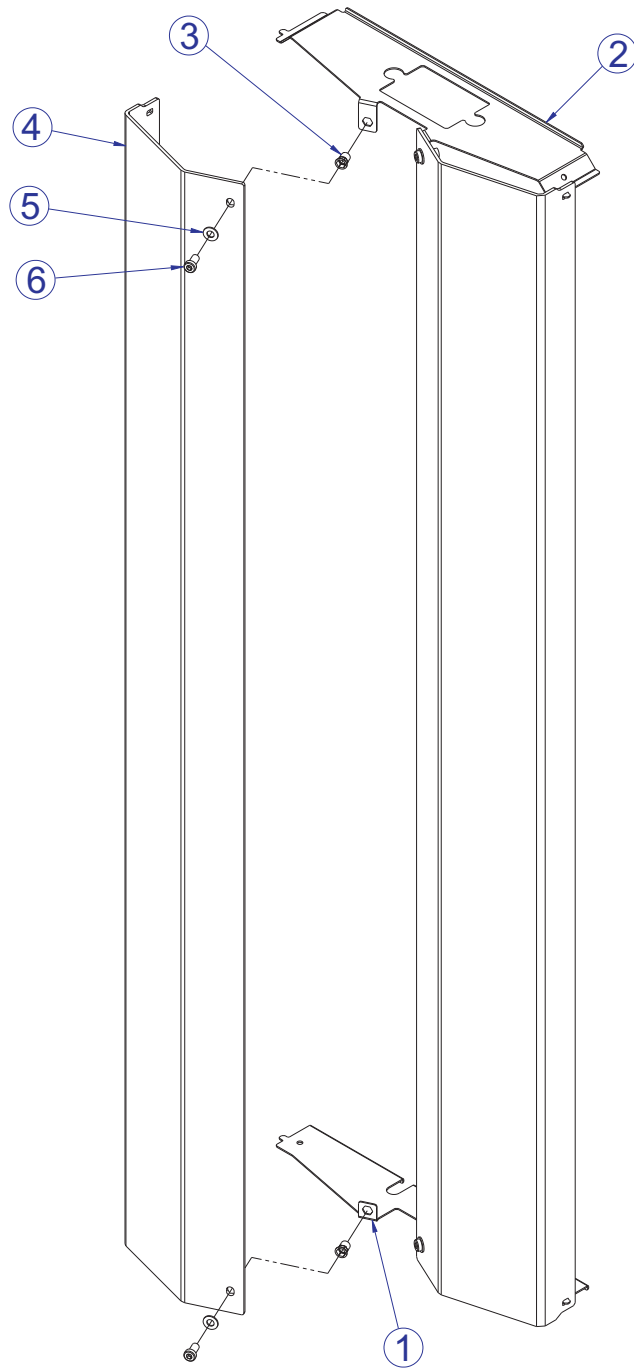
ITEM NO.	QTY.	PART NO.	DESCRIPTION
1	1	7760395	WLDMT, SPORT BAR
2	1	3235801	GRIP, 1.25 OD X .125 WALL OPEN END
3	1	7662801	RING, GRIP 1.25 OD
4	1	7662901	CAP, GRIP 1.25 OD
5	4	3247701	M4 X .7 HXS NO CUP ST BO
6	1	3119304	CAP, END 1 DIA RD 10-12GA

CMDAP DUAL ADJUSTABLE PULLEY ACCESSORIES



ITEM NO.	QTY.	PART NO.	DESCRIPTION
1	2	8219601	HANDLE, CM/MJ, SHORT STRAP
2	1	6851501	ROPE, TRICEP
3	1	7753001	LE/LC STRAP
4	1	7752901	TRAINING BELT (NO LONGER AVAILABLE)
5	1	7734701	STRAP, 4-WAY ANKLE
6	2	8219701	HANDLE, CM/MJ, LONG STRAP
7	1	7762301	POSTER, CMDAP INSTRUCTIONAL
8	1	7730801	CD-ROM, CMDAP/CMCC

CMDAP DUAL ADJUSTABLE PULLEY OPTIONAL FRONT SHROUD KIT - 7766701



ITEM NO.	QTY.	PART NO.	DESCRIPTION
1	1	7763695	BRKT, SHROUD, CM/MJ BOTTOM SG
2	1	7763795	BRKT, SHROUD, CMDAP TOP SG
3	4	3238601	M10X1.5 BLIND THREADED INSERT (HEX)
4	2	7634001	SHROUD, CM/MJ FRONT
5	4	3236601	WASHER, 3/8 SAE SS
6	4	3236201	SCREW, M10 X1.5 20MM

CMDAP DUAL ADJUSTABLE PULLEY IMAGE



Free Manuals Download Website

<http://myh66.com>

<http://usermanuals.us>

<http://www.somanuals.com>

<http://www.4manuals.cc>

<http://www.manual-lib.com>

<http://www.404manual.com>

<http://www.luxmanual.com>

<http://aubethermostatmanual.com>

Golf course search by state

<http://golfingnear.com>

Email search by domain

<http://emailbydomain.com>

Auto manuals search

<http://auto.somanuals.com>

TV manuals search

<http://tv.somanuals.com>