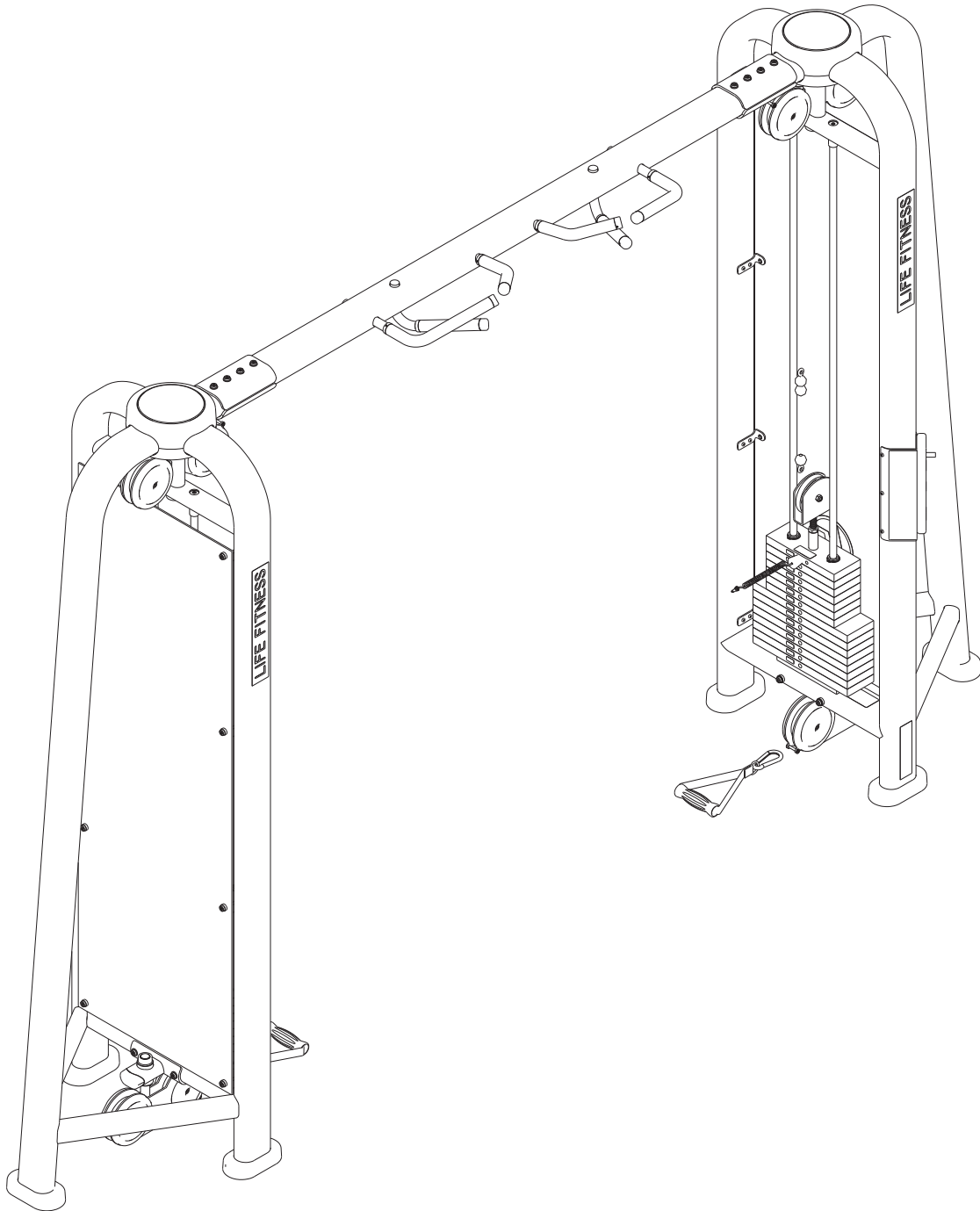




CABLE MOTION
CMFCO
FIXED CROSSOVER



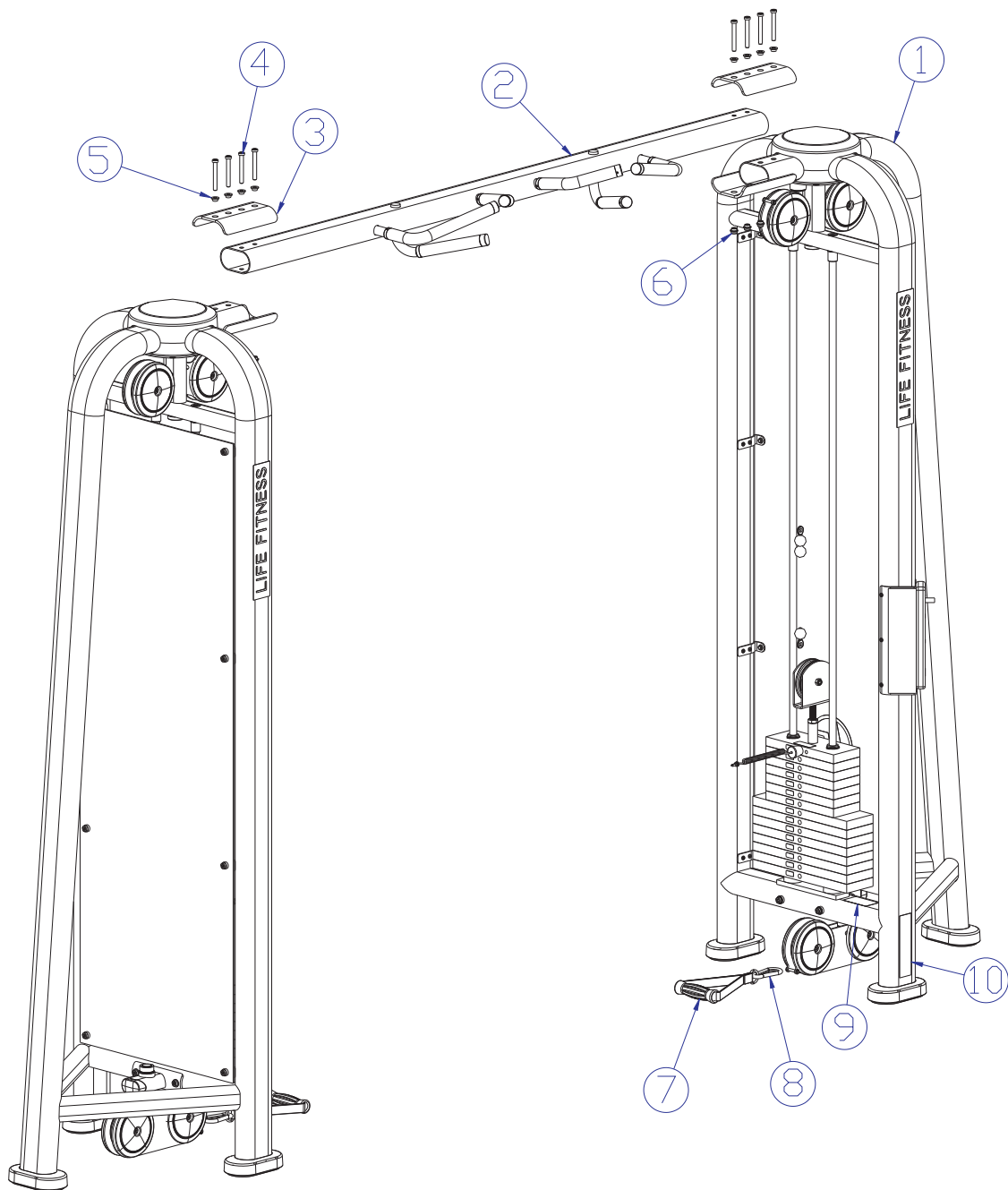
Customer Support Services
PARTS LIST

CMFCO FIXED CROSSOVER

Contents

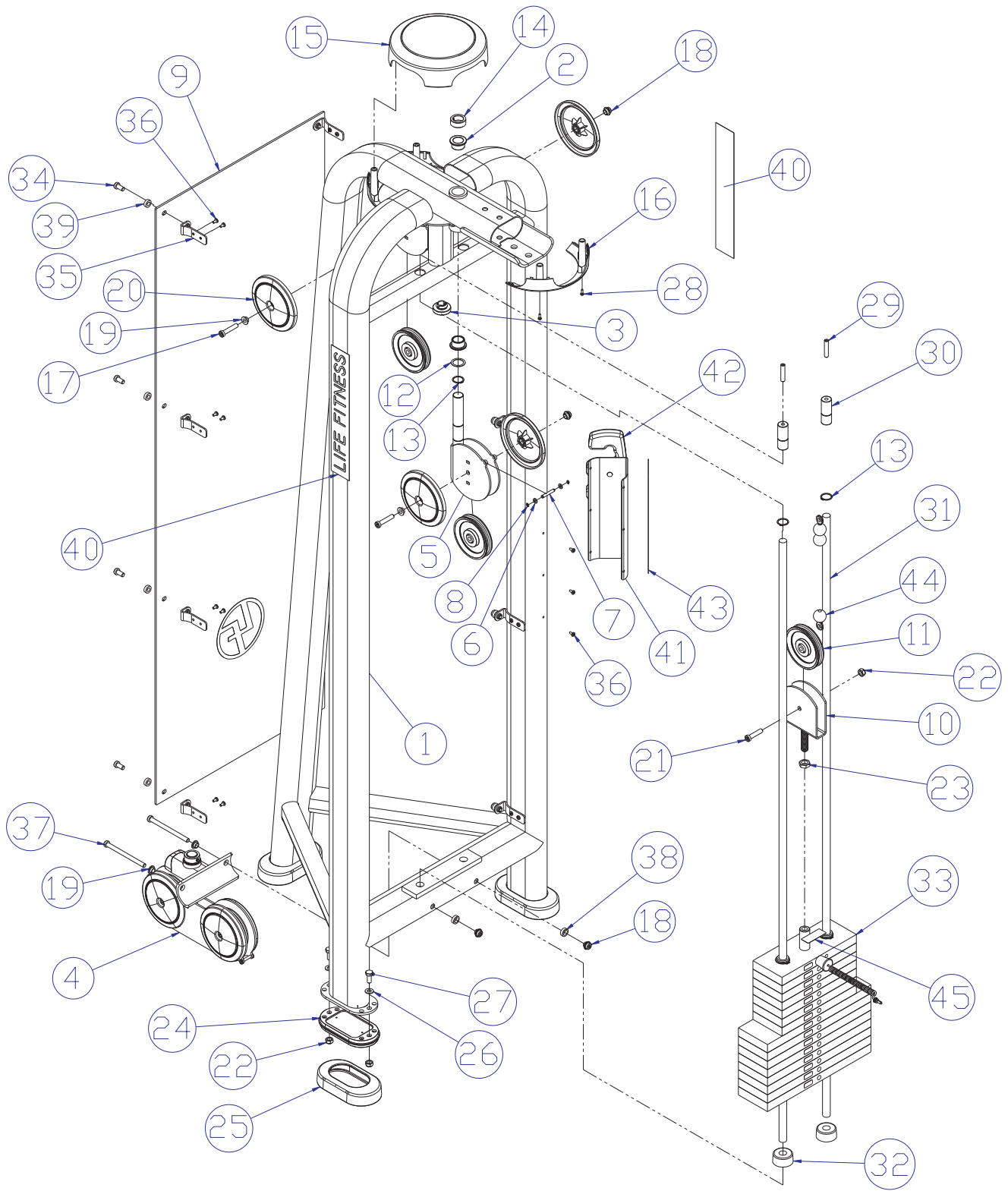
	PAGE
COMPONENT ASSEMBLY	3
TOWER ASSEMBLY	4
TOWER ASSEMBLY LEGEND	5
CROSSOVER BOTTOM ASSEMBLY	6
BEAM ASSEMBLY	7
WEIGHT STACK ASSEMBLY	8
ACCESSORIES	9
SPORT BAR ASSEMBLY	10
OPTIONAL FRONT SHROUD KIT	11

CMFCO FIXED CROSSOVER COMPONENT ASSEMBLY



ITEM NO.	QTY.	PART NO.	DESCRIPTION
1	2	7641401	ASSY, CM/MJFCO TOWER
2	1	7640601	ASSY, MJ X-BEAM
3	2	7633201	BRKT, MJ LRG OVAL
4	8	3236213	SCREW, M10 X 1.5 80MM
5	8	7630101	RETAINER, CM/MJ, PULLEY
6	8	7335401	NUT, M10 X 1.5 SOCKET HEAD
7	2	8219601	HANDLE, CM/MJ, SHORT STRAP
8	2	3250201	SNAP LINK, 3/8" DIA
9	2	7571301	LABEL, SERIAL NUMBER
10	2	7422004	LABEL, 2" ASTM WARN

CMFCO FIXED CROSSOVER TOWER ASSEMBLY

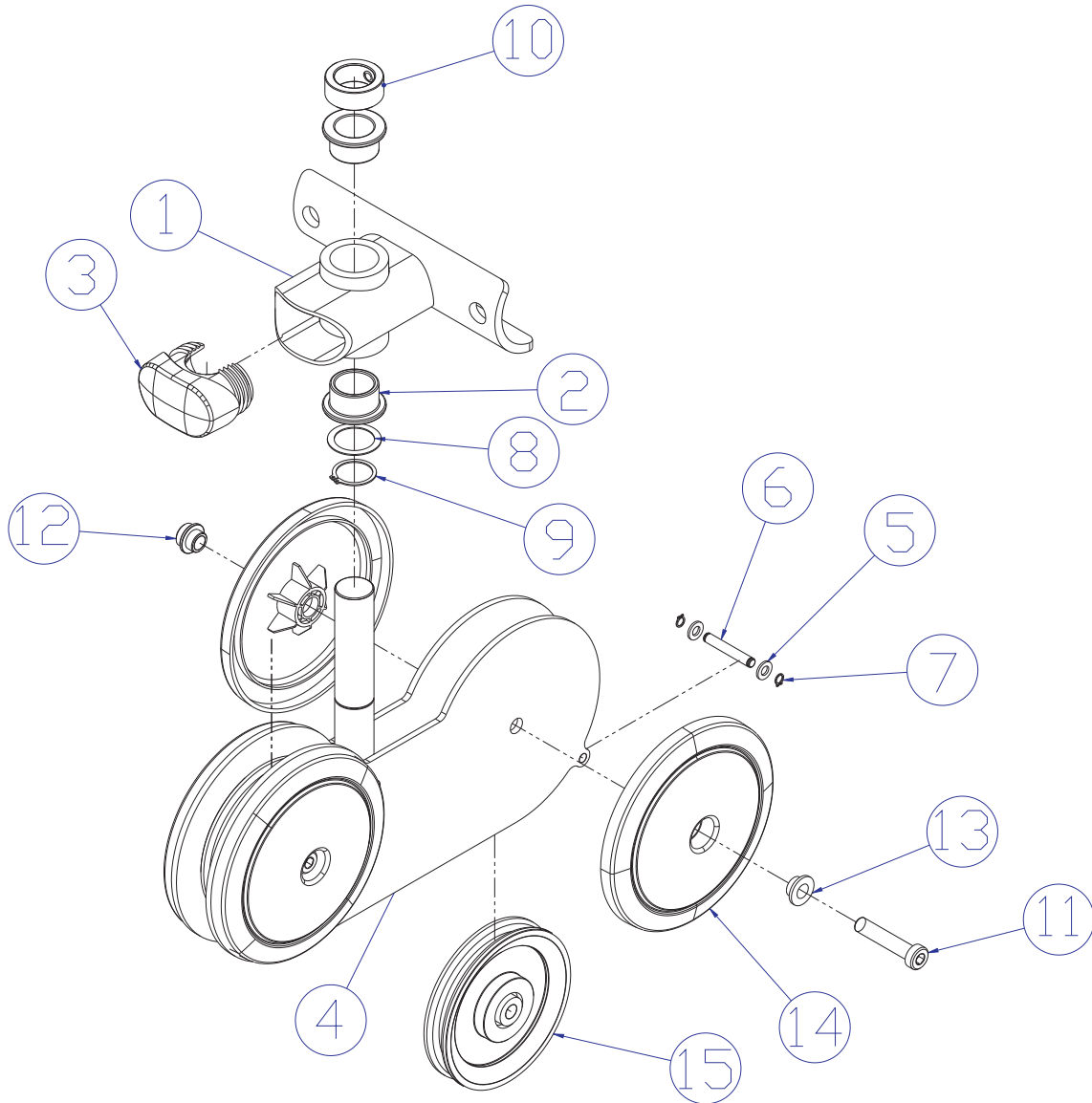


SEE PAGE 5 FOR LEGEND

CMFCO FIXED CROSSOVER TOWER ASSEMBLY LEGEND

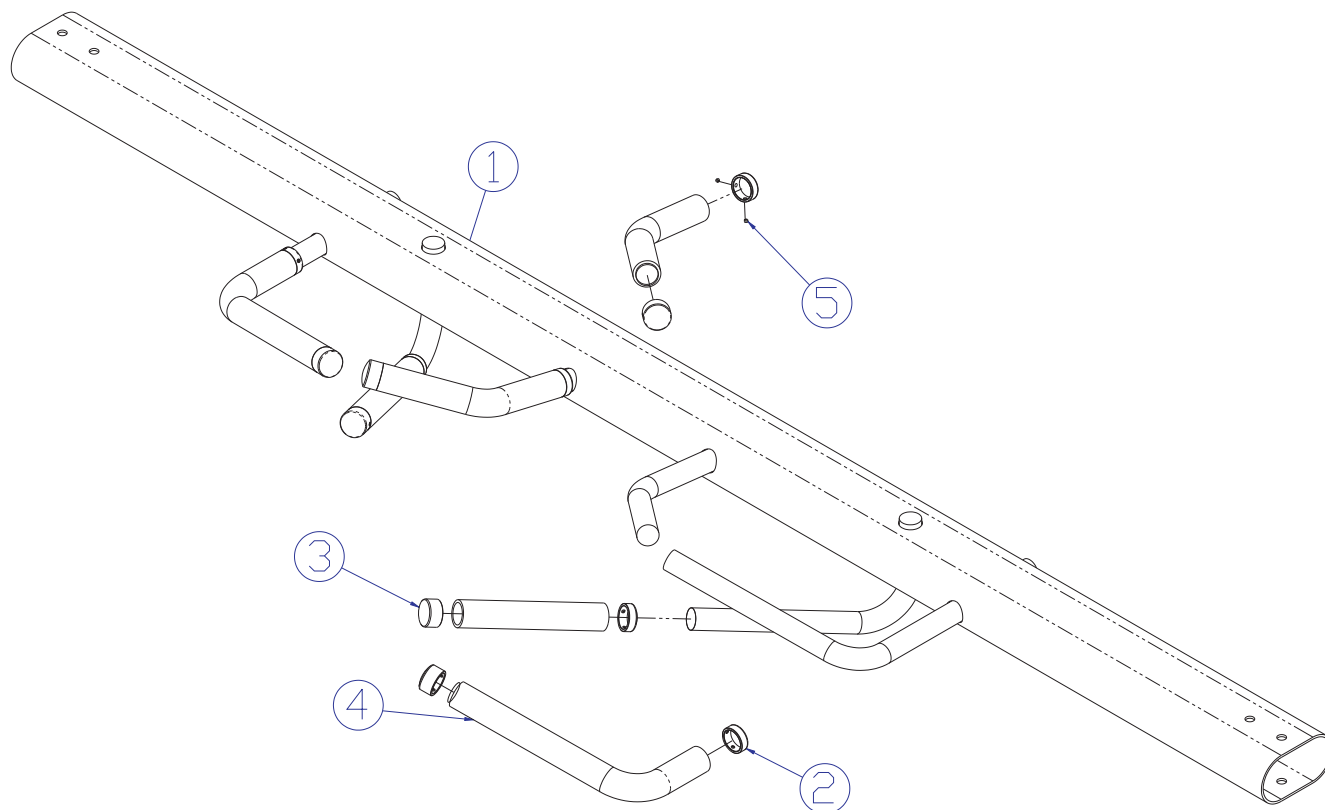
ITEM NO	QTY	PART NO	DESCRIPTION
1	1	7639001	WLDMNT, MJFCO TOWER
2	2	3104903	1.00" ID 1.25" OD BRONZ BUSHING
3	1	7642301	BUMPER, CM/MJ, PLUG
4	1	7636101	ASSY, MJ X-OVER BOTTOM
5	1	7638101	WLDMT, MJ, X-OVER PULLEY
6	2	3241801	WASHER, FLAT 6MM SS
7	1	7641301	SHAFT, CM/MJ, BALL STOP
8	2	3232401	RING, RETAINING, EXTERNAL
9	1	7642101	SHIELD, CM/MJ REAR
10	1	7642201	WLDMNT, CM/MJ STK PULLEY
11	3	3237801	PULLEY, 4.5" OD
12	1	3225005	WASHER, 1.031-1.375-031 SPEC ST ZN
13	3	3232421	RING, BRE .940, 5100-100 ST PP B
14	1	7435301	COLLAR, SHAFT 1.020 ID
15	1	7629201	COVER, CENTER TOP
16	2	7629801	COVER, CENTER BOTTOM
17	2	3236207	SCREW, M10 X1.5 50MM
18	4	7335401	NUT, M10 X 1.5 SOCKET HEAD
19	4	7630101	RETAINER, CM/MJ, PULLEY
20	4	7629901	COVER, PULLEY- BOLTED FULL
21	1	3236206	SCREW, M10 X1.5 45MM
22	7	3236801	NUT, M10 HEX NYLOCK SS
23	1	3236902	NUT, M16 X 2 HEX JAM SS
24	3	7334001	FOOT, 2.50 X 4.49 FLOV
25	3	7340201	COVER, FOOT - STRAIGHT
26	6	3236601	WASHER, 3/8 SAE SS
27	6	3251202	SCREW, M10 X1.5 X 25MM UNS HEX CS ST ZN
28	4	3236501	M4 X 0.7 PHL PAN MS ST ZN
29	2	3240502	M10 X 1.5 X 50 HXS NO CUP ST BO
30	2	7634401	RETAINER, CM/MJ, GUIDEROD
31	2	7328618	GUIDE ROD, .75 OD SOLID 71.50
32	2	7352101	CUSHION, WEIGHT STACK
33	1	7647501	ASSY, 190LB STACK
34	8	3236201	SCREW, M10 X1.5 20MM
35	8	7642001	BRKT, CM/MJ, REAR SHROUD
36	22	3239101	SCREW, M5X10 PHL PAN TT ST
37	2	3236220	SCREW, M10 X1.5 130MM
38	2	7634701	SPACER, CM/MJ, .565 X .815
39	8	7385201	SPACER, .406 X .750 X .250
40	2	7348001	LABEL, LIFE FITNESS LOGO
41	1	7647001	WLDMT, CM/MJ, PLACARD BRKT
42	1	7711501	WEIGHT, 5 LB. ADD-ON
43	1	7733901	LABEL, PLACARD CM/MJ CROSSOVER
44	1	7732202	CABLE, CM/MJFCO
45	1	7744501	LABEL, WEIGHT AT HANDLE

CMFCO FIXED CROSSOVER CROSSOVER BOTTOM ASSEMBLY - 7636101



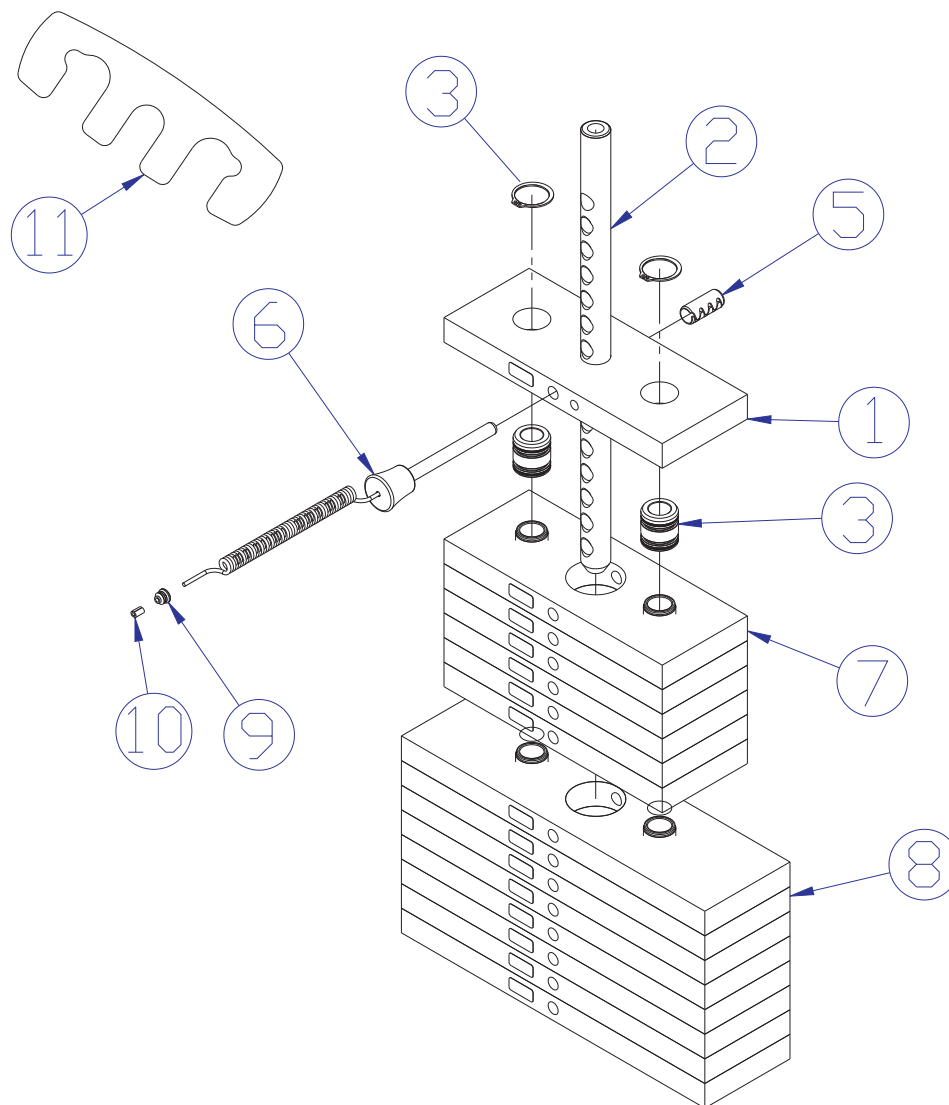
ITEM NO	QTY	PART NO	DESCRIPTION
1	1	7635901	WLDMNT, MJFCO/FXO PULLEY SPRT
2	2	3104903	1.00" ID 1.25" OD BRONZ BUSHING
3	1	7333801	CAP, SMALL FLOV- END
4	1	7635601	WLDMNT, MJFCO/FXO BOTTOM PULLEY
5	2	3241801	WASHER, FLAT 6MM SS
6	1	7641301	SHAFT, CM/MJ, BALL STOP
7	2	3232401	RING, RETAINING, EXTERNAL
8	1	3225005	WASHER, 1.031-1.375-031 SPEC ST ZN
9	1	3232421	RING, BRE .940, 5100-100 ST PP B
10	1	7435301	COLLAR, SHAFT 1.020 ID
11	2	3236207	SCREW, M10 X1.5 50MM
12	2	7335401	NUT, M10 X 1.5 SOCKET HEAD
13	2	7630101	RETAINER, CM/MJ, PULLEY
14	4	7629901	COVER, PULLEY- BOLTED FULL
15	2	3237801	PULLEY, 4.5" OD

CMFCO FIXED CROSSOVER BEAM ASSEMBLY - 7640601



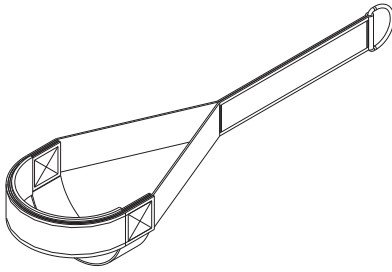
ITEM NO	QTY	PART NO	DESCRIPTION
1	1	7632701	WLDMT, MJ X-BEAM
2	6	7662801	RING, GRIP 1.25 OD
3	6	7662901	CAP, GRIP 1.25 OD
4	6	3235801	GRIP, 1.25 OD OPEN END
5	24	3247701	M4 X 0.7 X 3 HZS NO CUP ST BO

CMFCO FIXED CROSSOVER WEIGHT STACK ASSEMBLY 190LB - 7647501

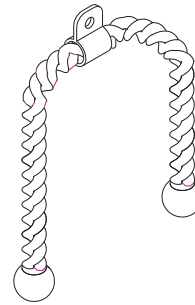


ITEM NO	QTY	PART NO	DESCRIPTION
1	1	7353901	HEADPLATE, WT. STACK
2	1	7352601	BAYONET, 14 PLATE
3	2	7338001	HEADPLATE BUSHING & CLIP
5	1	3236001	BUSHING, SPRING PIN
6	1	7353001	ASSY, SELECTOR PIN
7	6	7353701	ASSY, 10 LB PLATE
8	8	7353801	ASSY, 15 LB PLATE
9	1	7356501	PLUG, LANYARD ATTACHMENT
10	1	7523601	CRIMP, CABLE
11	1	7711501	WEIGHT, 5 LB. ADD-ON

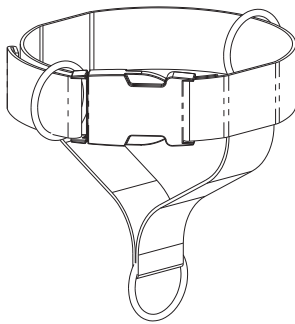
CMFCO FIXED CROSSOVER ACCESSORIES



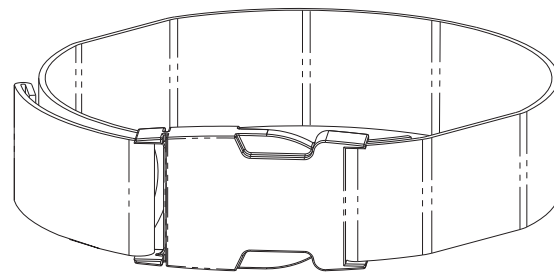
7753001 - LE/LC STRAP



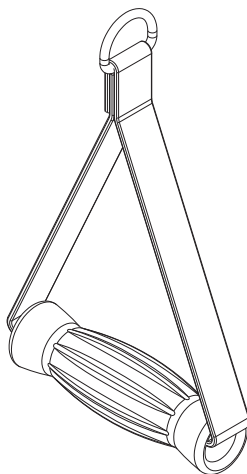
6851501 - TRICEP ROPE



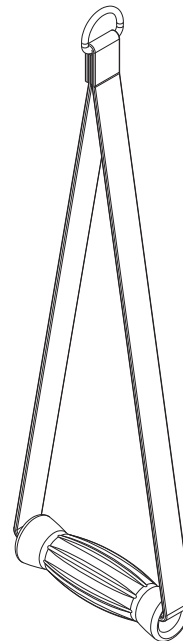
7734701 - 4 WAY
ANKLE STRAP



7752901 - TRAINING BELT

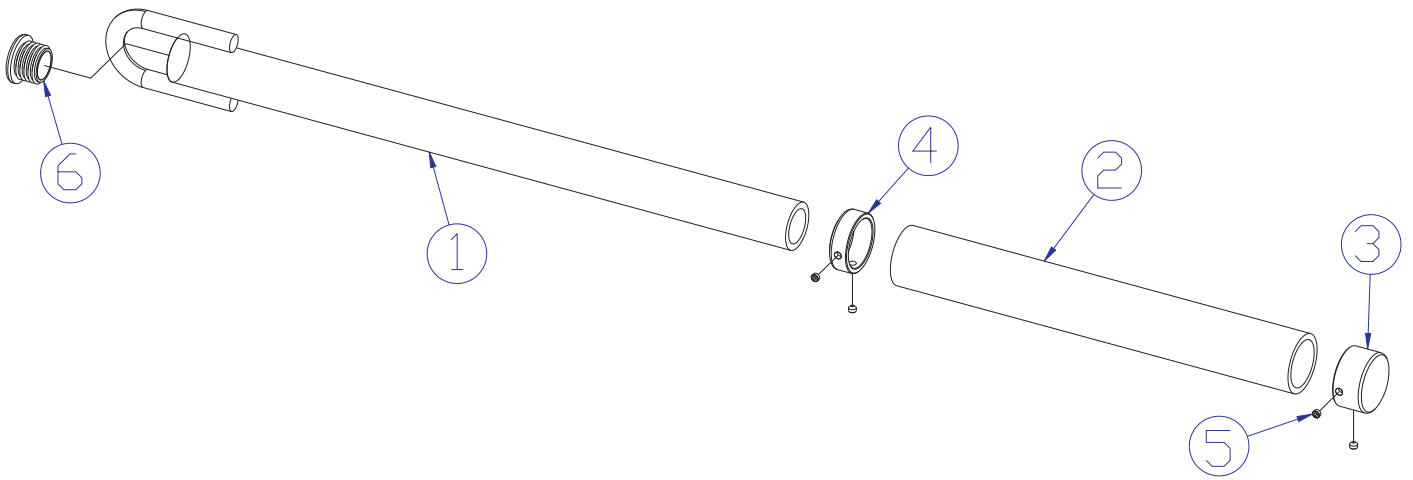


7647801 - HANDLE
CM/MJ SHORT STRAP



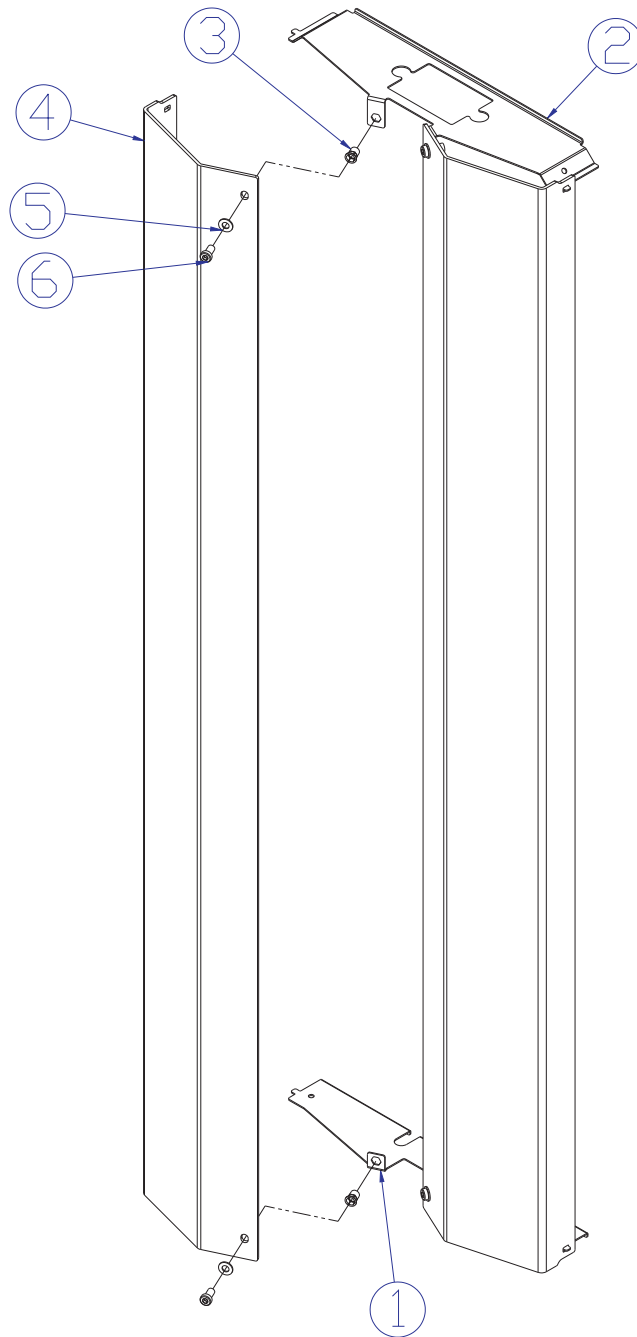
7647901 - HANDLE
CM/MJ LONG STRAP

CMFCO FIXED CROSSOVER SPORT BAR ACCESSORY - 7753201



ITEM NO	QTY	PART NO	DESCRIPTION
1	1	7760395	WLDMT, SPORT BAR SHADOW GRAY
2	1	3235801	GRIP, 1.25 OD OPEN END
3	1	7662901	CAP, GRIP 1.25 OD
4	1	7662801	RING, GRIP 1.25 OD
5	4	3247701	M4 X 0.7 X 3 HZS NO CUP ST BO
6	1	3119304	CAP, END 1 DIA RD 10-12GA

CMFCO FIXED CROSSOVER OPTIONAL FRONT SHROUD KIT - 7766601



ITEM NO	QTY	PART NO	DESCRIPTION
1	1	7763601	BRKT, SHROUD, CM/MJ BOTTOM SG
2	1	7763901	BRKT, SHROUD, CM/MJ TOP SG
3	4	3238601	M10X1.5 BLIND THRD INSERT(HEX)
4	2	7634001	SHROUD, CM/MJ FRONT
5	4	3236601	WASHER,3/8 SAE STAINLESS STEEL
6	4	3236201	M10 X 1.5 X 20 HXS SOC CS SS

Free Manuals Download Website

<http://myh66.com>

<http://usermanuals.us>

<http://www.somanuals.com>

<http://www.4manuals.cc>

<http://www.manual-lib.com>

<http://www.404manual.com>

<http://www.luxmanual.com>

<http://aubethermostatmanual.com>

Golf course search by state

<http://golfingnear.com>

Email search by domain

<http://emailbydomain.com>

Auto manuals search

<http://auto.somanuals.com>

TV manuals search

<http://tv.somanuals.com>